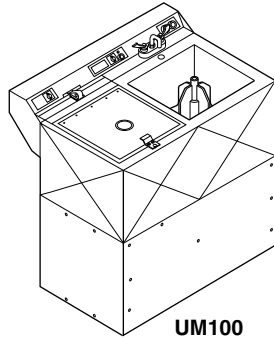


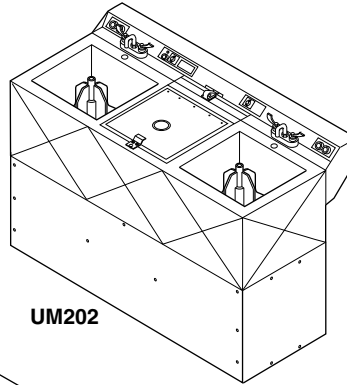
Washer-Extractor

Twin Tub

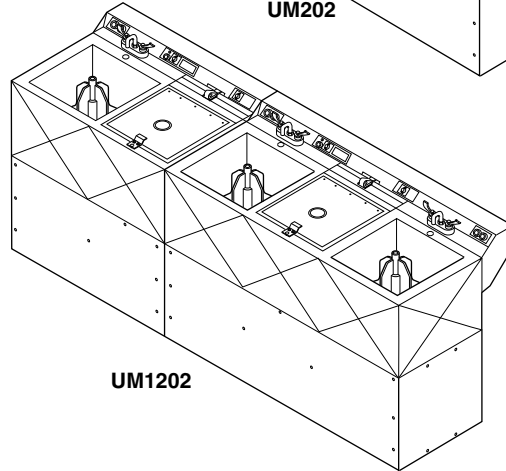
Refer to Page 3 for Model Numbers



UM100



UM202



UM1202

U061C_F232115

Table of Contents

Title	Page
Parts Ordering Information.....	2
Serial Plate Location	2
Model Identification	3
Panel, Tub and Frame Assembly - UM100 and UM1202	4
Panel, Tub and Frame Assembly - UM202 and UM1202	6
Lid Assembly.....	8
Lid Lock Assembly	10
Lock Assembly - Models Starting Serial No. 26643	12
Lock Assembly - Models Through Serial No. 26642	14
Control Panel Assembly - Carwash and Combination Timer Option Controls	16
Control Panel Assembly - Standard and Combination Timer Option Controls.....	18
Contactors Box Assembly - AB Contactors	20
Contactors Box Assembly - Benedict and Jaeger Contactors	22
Drain, Spray-Rinse and Fill Assembly - UM100 and UM1202	24
Drain, Spray-Rinse and Fill Assembly - UM202 and UM1202	26
Drain Valve Assembly - Models Through 1997.....	28
Drain Valve Assembly - Models Starting 1998.....	30
Float Valve Assembly	32
Faucet Assembly	34
Motor Assembly	36
Transmission and Agitator Assembly - Models Starting 1985 Through 1994	38
Transmission and Agitator Assembly - Models Starting 1995 Through 5/18/1998	40
Transmission Retrofit Kit Assembly - Models Through 5/18/1998	42
Transmission and Agitator Assembly - Models Starting 5/19/1998.....	44
Transmission Assembly	46
Parts Index.....	49

© Copyright 2014, Alliance Laundry Systems LLC

All rights reserved. No part of the contents of this book may be reproduced or transmitted in any form or by any means without the expressed written consent of the publisher.

Parts Ordering Information

If literature or replacement parts are required, contact the source from whom the machine was purchased or contact Alliance Laundry Systems at (920) 748-3950 for the name and address of the nearest authorized parts distributor.

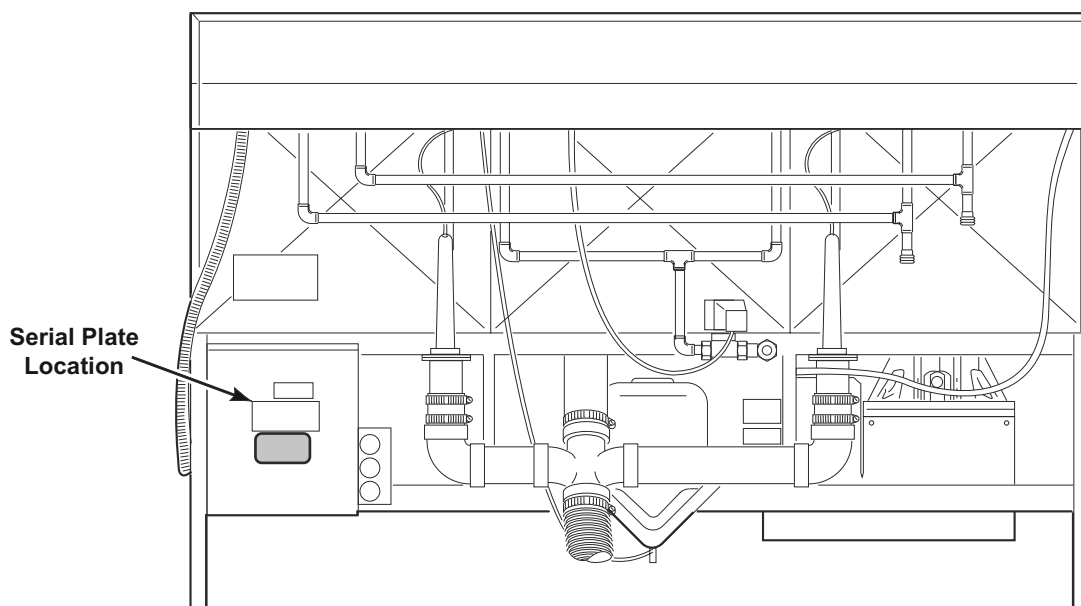
For technical assistance, call either of the numbers listed below:

(920) 748-3121 Ripon, Wisconsin

+32 56 41 20 54 Wevelgem, Belgium

Serial Plate Location

When calling or writing about your product, be sure to mention model and serial numbers. Model and serial numbers are located on serial plate(s) as shown.



CAR1691P_F232115

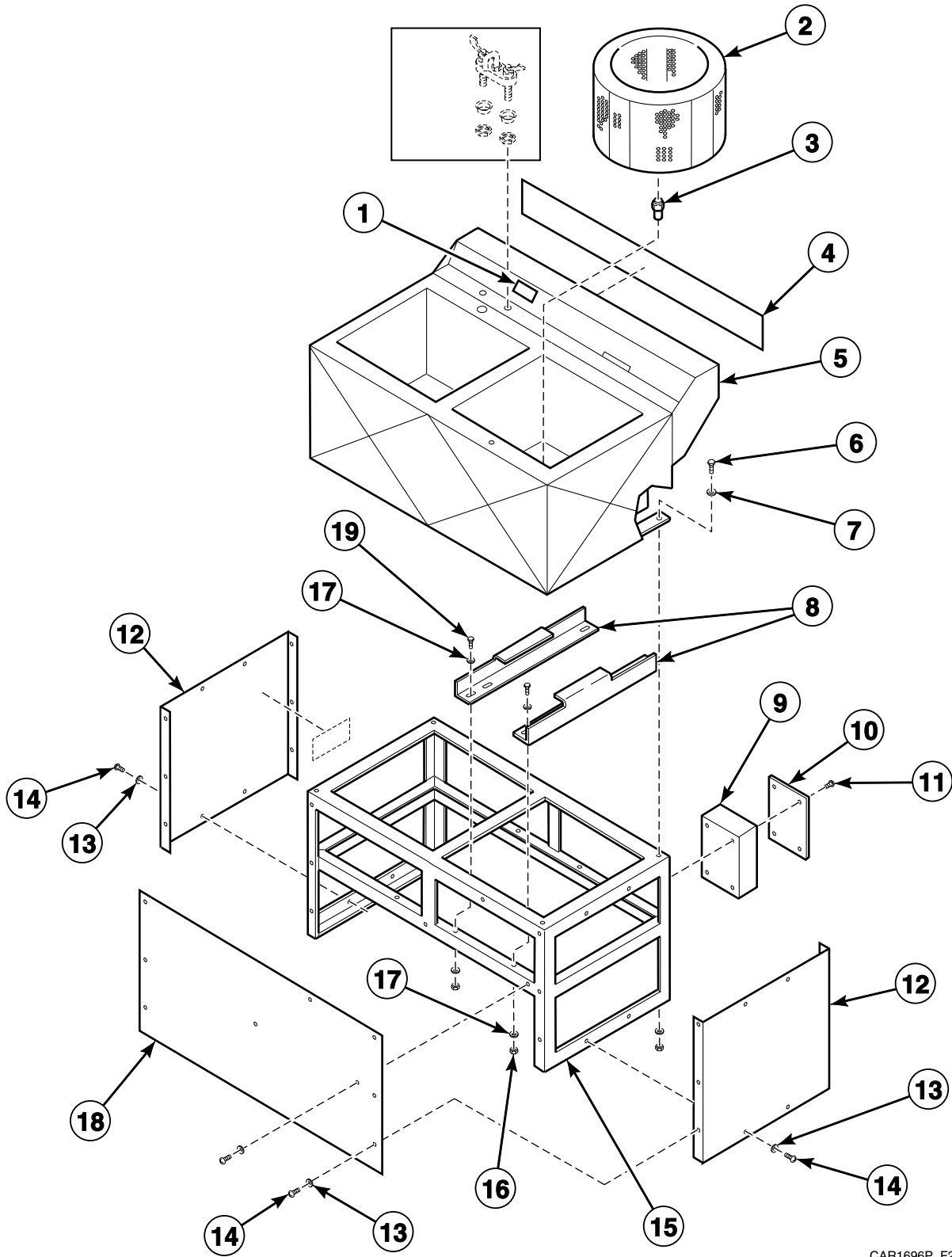
Model Identification

Information in this manual is applicable to these washer-extractor models:

UM100
UM202
UM1202

NOTE: This manual applies to UM202 models with a 1 in the 10th position in the model number (e.g., UM202M1AU10001) and to all UM100 and UM1202 models.

Panel, Tub and Frame Assembly - UM100 and UM1202

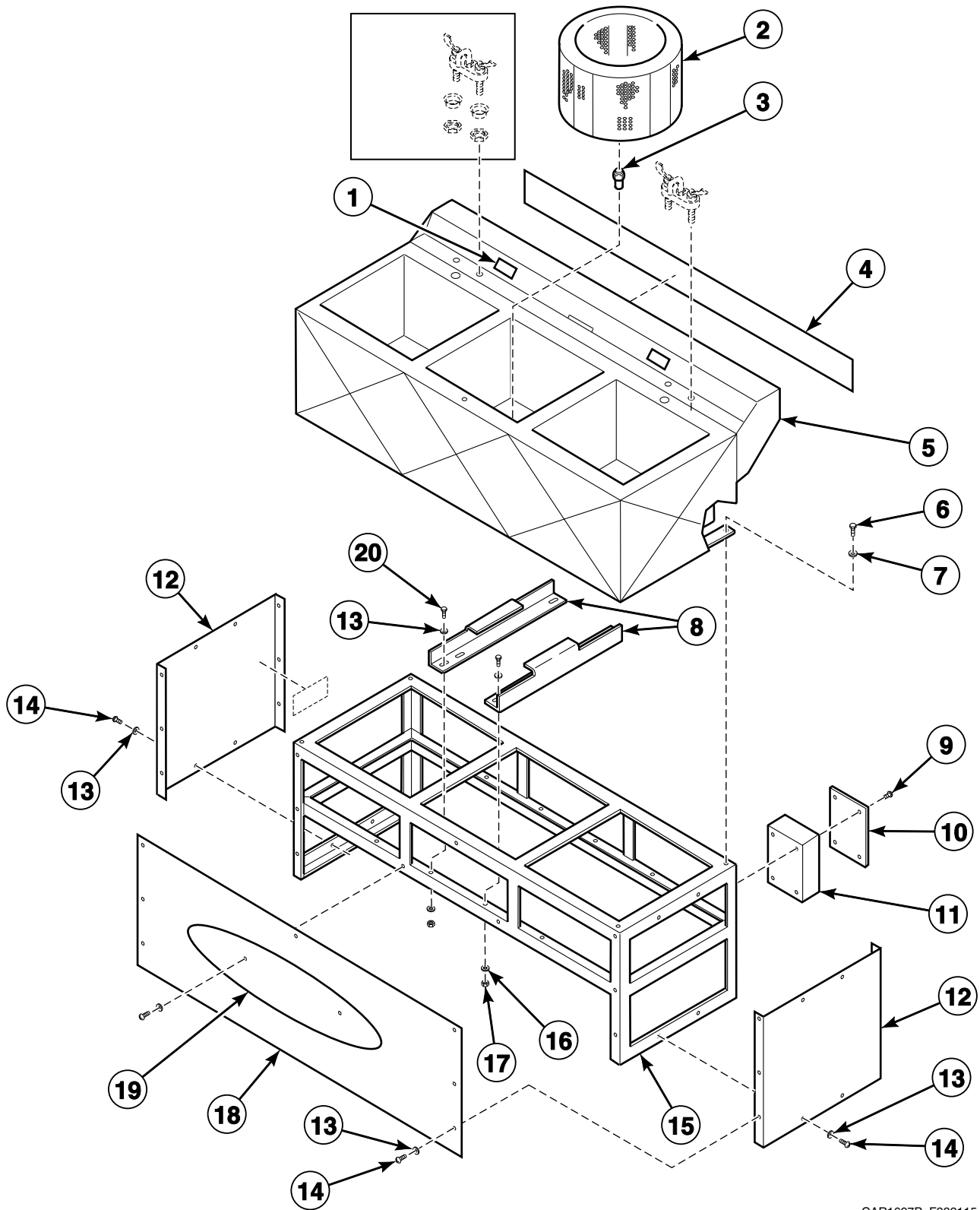


CAR1696P_F232115

Panel, Tub and Frame Assembly - UM100 and UM1202

REF	PART NO.	DESCRIPTION	COMMENTS
	F730109	Basket Hub Center Kit	Replacement kit for item 2
1	F231442	Water Level Caution Decal	
2	F602568P	Basket Assembly	
3	F015030401	Basketball	Slides onto motor shaft
4	F601139	Electrical Back Panel	
5	F602493	Tub Assembly	Standard
	F602493-1	Tub Assembly	Carwash option models
6	F430939	Screw	
7	F431112	Washer	
8	F601486	Motor Rail	
9	F140400	Junction Box	
10	F140401	Junction Box Cover	
11	F430115	Screw	
12	F602496	End Wrap	
13	F431104	Washer	
14	F430923	Screw	
15	F601260	Frame Assembly	
16	F430218	Nut	
17	M400081	Washer	
18	F601090	Skirt Panel	
19	F430116	Screw	

Panel, Tub and Frame Assembly - UM202 and UM1202

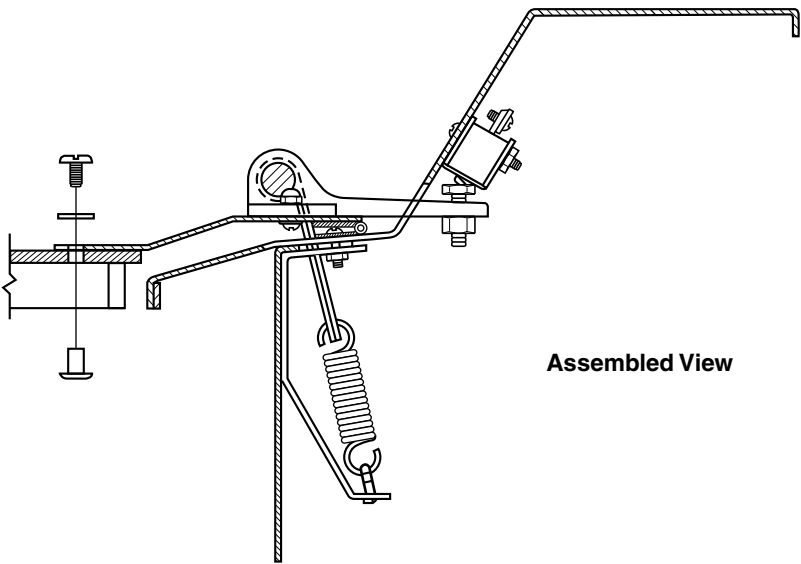
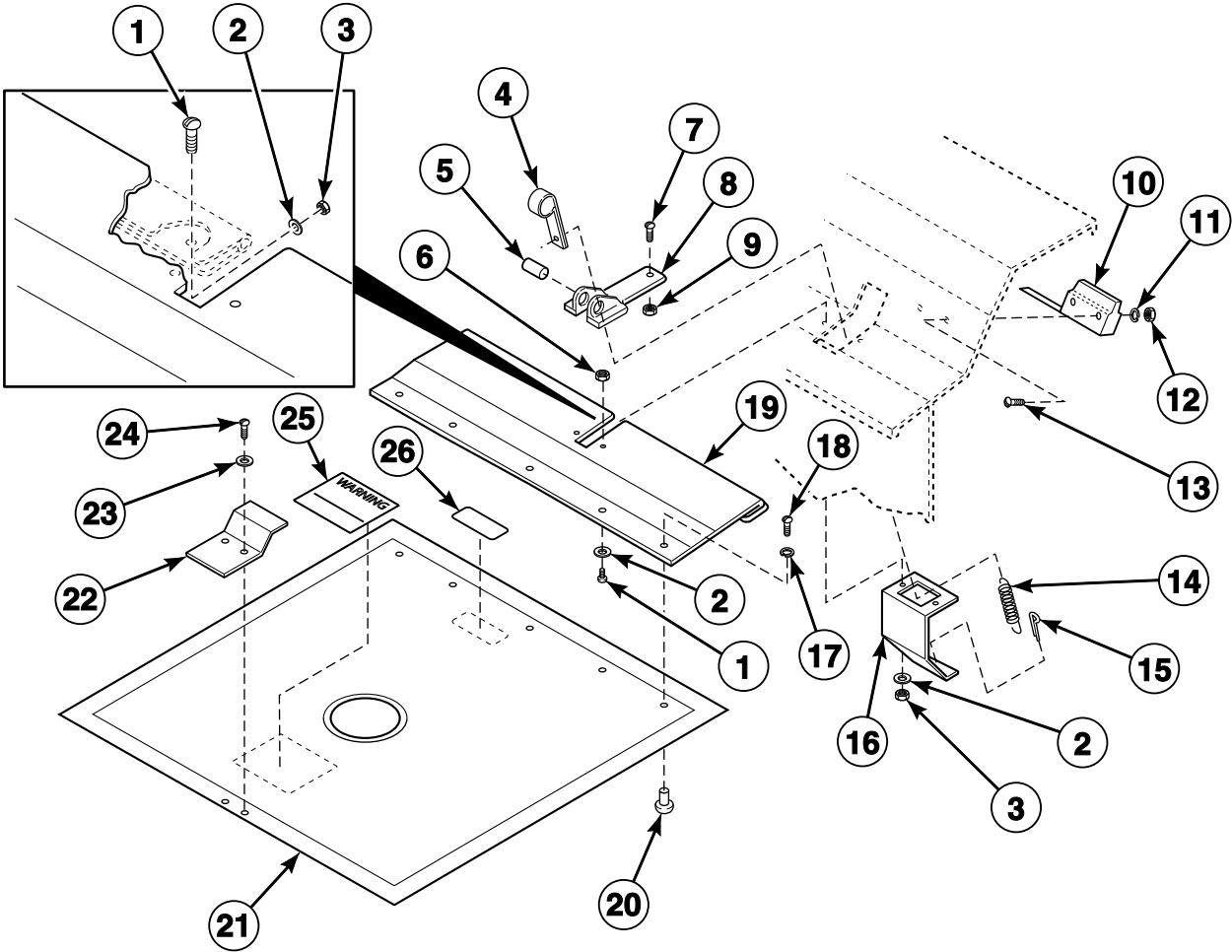


CAR1697P_F232115

Panel, Tub and Frame Assembly - UM202 and UM1202

REF	PART NO.	DESCRIPTION	COMMENTS
	F730109	Basket Hub Center Kit	Replacement kit for item 2
1	F231442	Water Level Caution Decal	
2	F602568P	Basket Assembly	
3	F015030401	Basketball	Slides onto motor shaft
4	F601138	Electrical Back Panel	
5	F602494	Tub Assembly	Standard
	F602494-1	Tub Assembly	Carwash option models
6	F430939	Screw	
7	F431112	Washer	
8	F601486	Motor Rail	
9	F430115	Screw	
10	F140401	Junction Box Cover	
11	F140400	Junction Box	
12	F602496	End Wrap	
13	F431104	Washer	
14	F430923	Screw	
15	F200145100	Frame Weldment	
16	M400081	Washer	
17	F430218	Nut	
18	F601140P	Skirt Panel	
19	F230806	Logo Decal	
20	F430116	Screw	

Lid Assembly



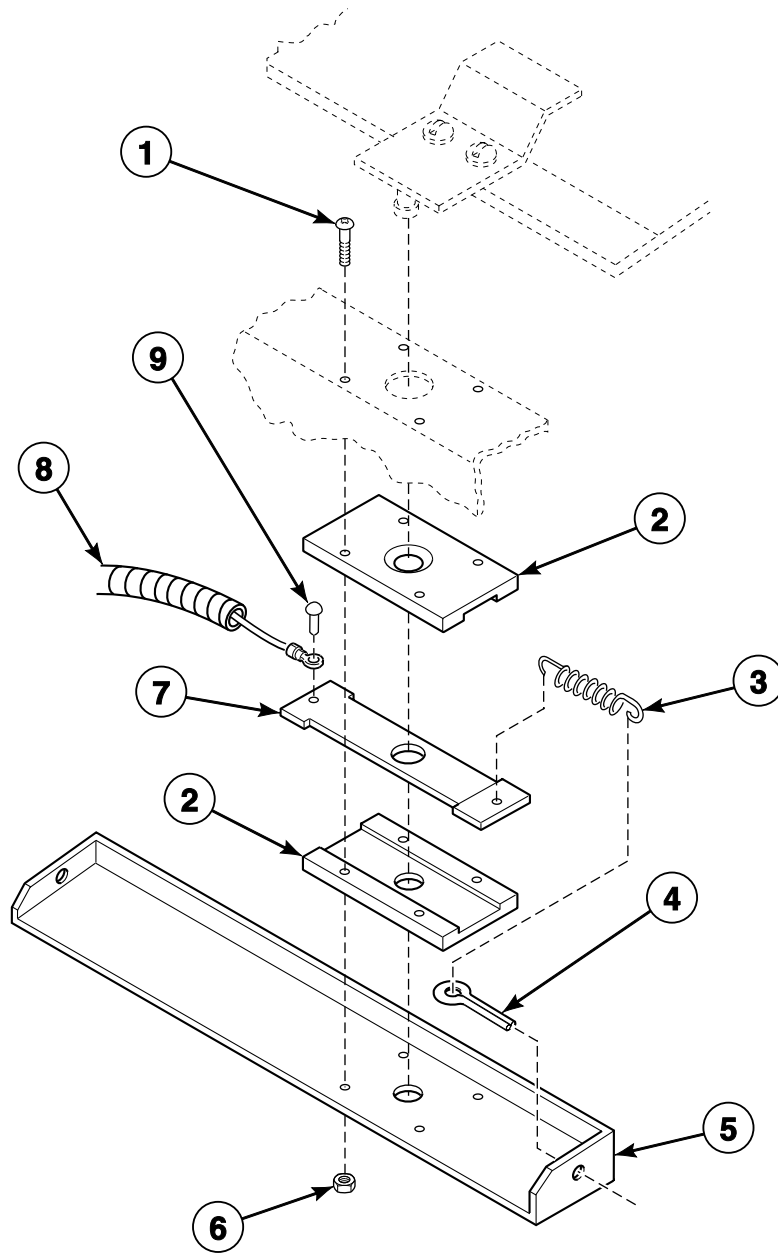
Assembled View

CAR983P_F232115

Lid Assembly

REF	PART NO.	DESCRIPTION	COMMENTS
	F730087	Post and Screw Kit	Includes items 17, 18 and 20
1	F430903	Screw	
2	F431106	Washer	
3	F431000	Nut	
4	F601033	Spring Bracket	
5	F432308	Saddle Pin	
6	F431028	Nut	
7	F430906	Screw	
8	F150206	Saddle Hinge	
9	F431005	Nut	
10	F340903	Microswitch	
11	F431113	Washer	
12	F431022	Nut	
13	F430938	Screw	
14	F310122	Lid Spring	
15	F431202	Cotter Pin	
16	F601958	Lid Lock Spring Bracket	
17	F431106	Washer	
18	F430986	Screw	
19	F603300	Lid Hinge Assembly	
20	F430147	Rivet Post	
21	F730020	Extractor Lid Kit	Includes items 17, 20, 21 and 25; Hook style; Models through 7/89
	F730371	Extractor Lid Kit	Includes item 25; Pin style; Models starting 8/89
22	F200194600P	Lid Handle Weldment	
23	F431102	Washer	
24	F430920	Screw	
25	F230757	Machine May Be Hot Warning Decal	
26	F230607	Rotation Decal	

Lid Lock Assembly

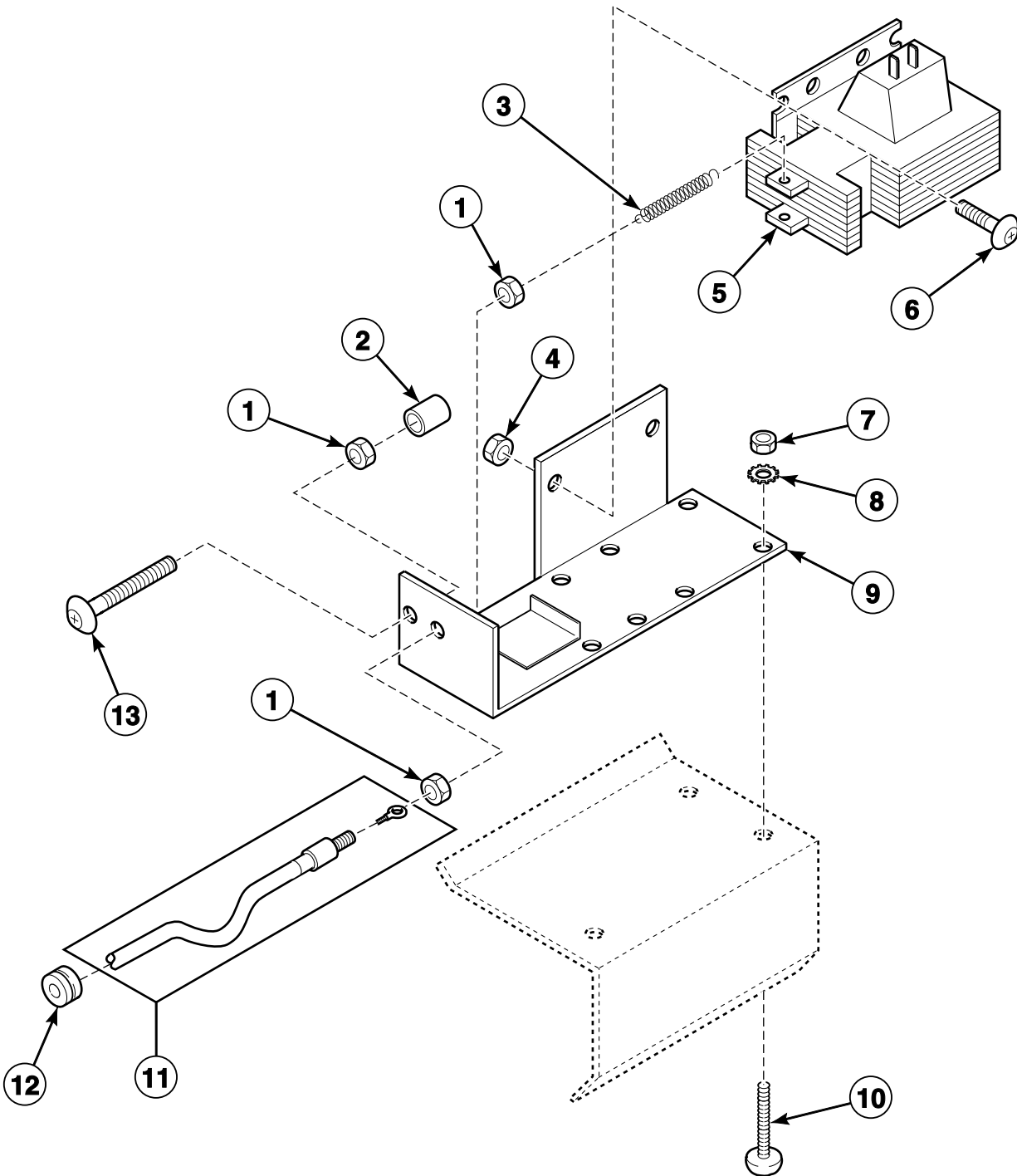


CAR984P_F232115

Lid Lock Assembly

REF	PART NO.	DESCRIPTION	COMMENTS
	F730368P	Lid Lock and Cable Kit	Includes items 2-9
	F605423P	Lid Lock Assembly	Includes items 1-9 and the lid handle assembly
1	F432291	Screw	
2	F150354	Lid Lock Slide Carrier	
3	F310128	Lid Lock Spring	
4	F431216	Cotter Pin	
5	F605388	Cable Support Bracket	
6	F431017	Nut	
7	F602514	Lid Lock Slide	
8	F190800	Lid Lock Cable	
9	F431210	Pop Rivet	

Lock Assembly - Models Starting Serial No. 26643

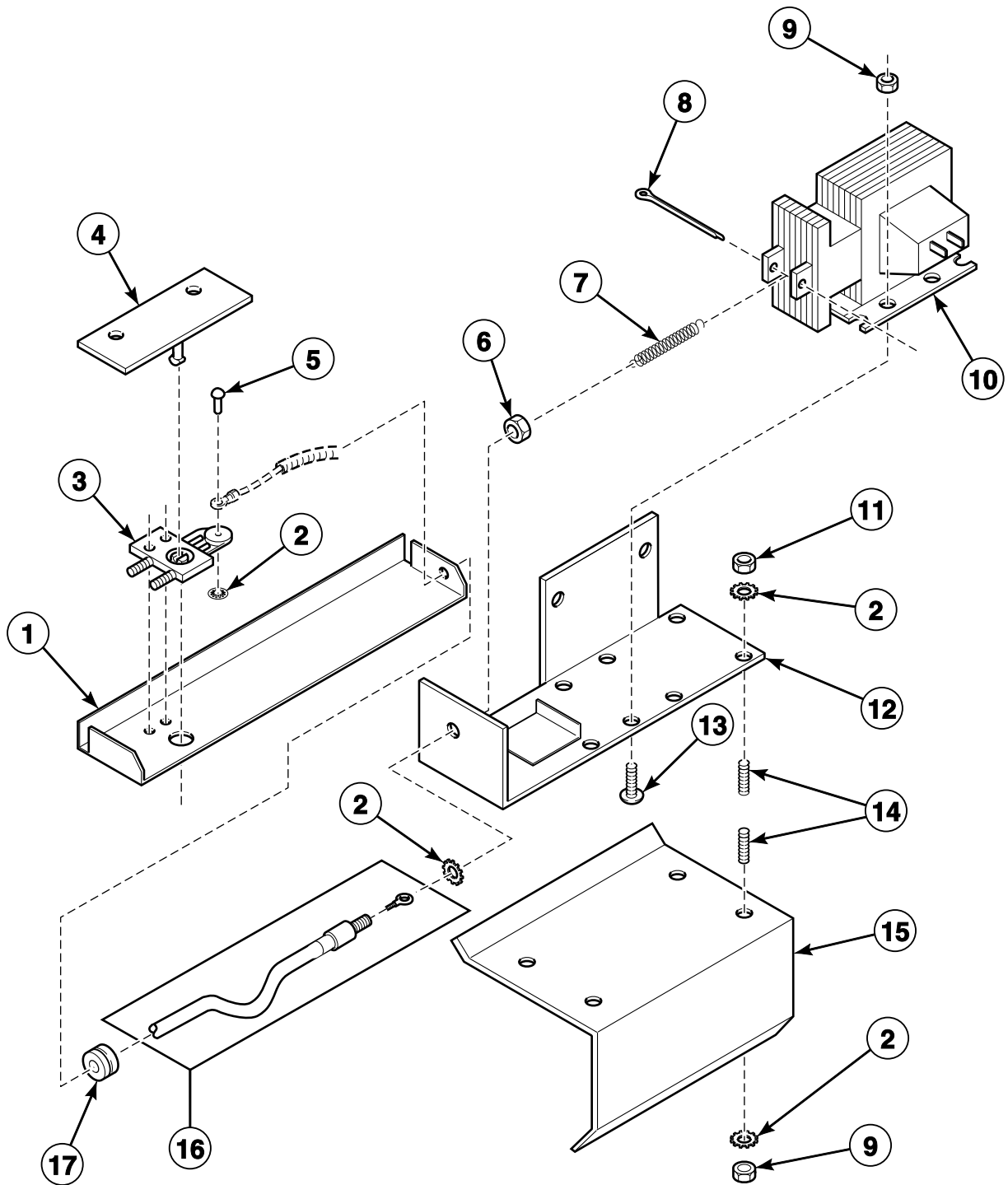


CAR985P_F232115

Lock Assembly - Models Starting Serial No. 26643

REF	PART NO.	DESCRIPTION	COMMENTS
1	F430209	Nut	
2	F190310	Cap	
3	F310105	Solenoid Spring	
4	F431017	Nut	
5	F300106P	Lid Lock Solenoid	120 Volt
	F300107	Lid Lock Solenoid	220 Volt
6	F430920	Screw	
7	F431000	Nut	
8	F431106	Washer	
9	F602483	Lid Lock Mounting Bracket Assembly	
10	F430903	Screw	
11	F190800	Lid Lock Cable	
12	F170601	Lid Lock Grommet	
13	F430996	Screw	

Lock Assembly - Models Through Serial No. 26642



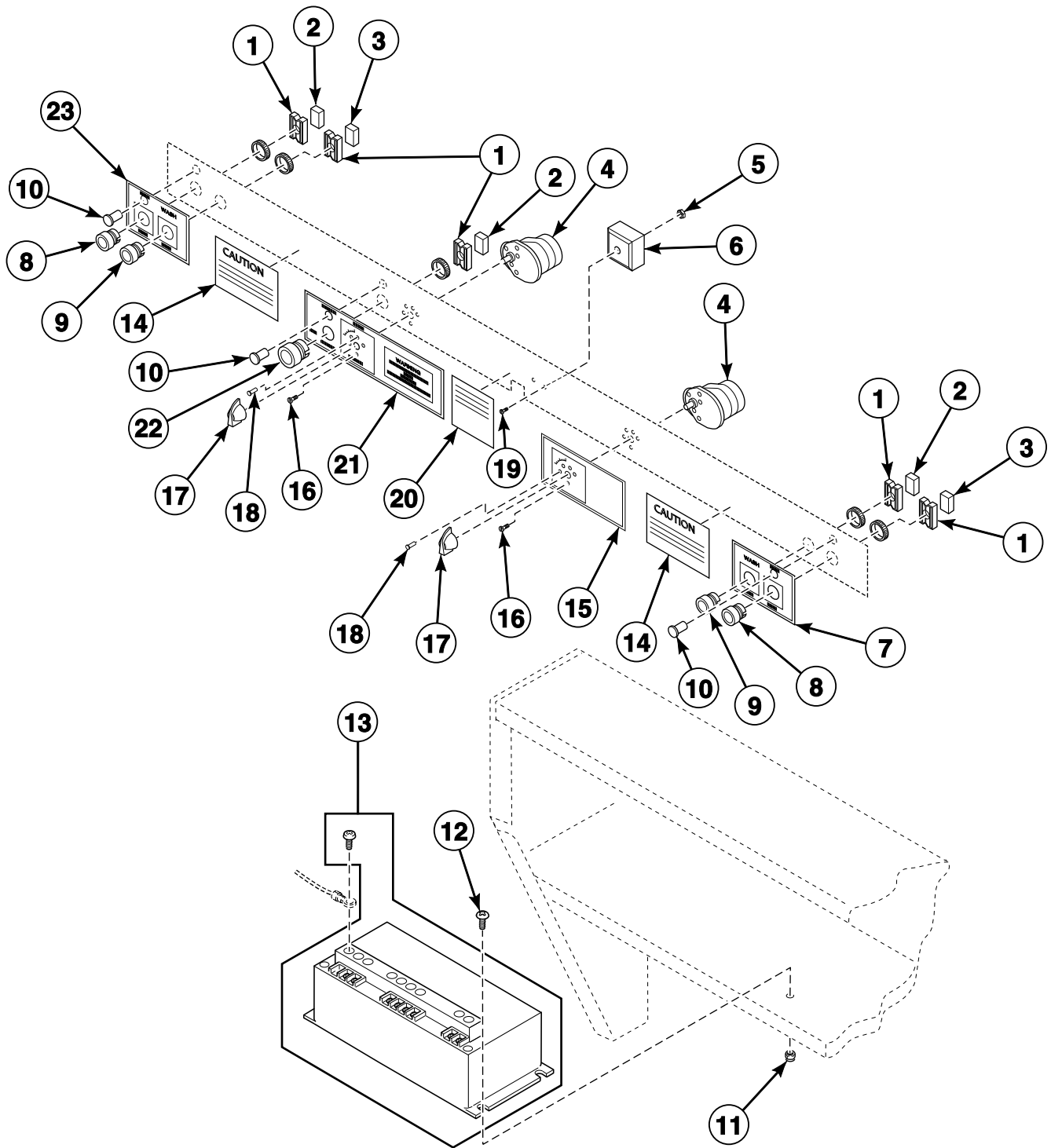
CAR1693P_F232115

Lock Assembly - Models Through Serial No. 26642

REF	PART NO.	DESCRIPTION	COMMENTS
	F730008	Lid Lock and Cable Kit	Includes items 1, 3, 5, 6, 11, 16 and 17
1	N/A	Cable Support Bracket	
2	F431106	Washer	
3	F602484	Lid Latch Block Assembly	
4	F200194600P	Lid Handle Weldment	
5	F431603	Rivet	
6	F430209	Nut	
7	F310128	Lid Lock Spring	
8	F430401	Cotter Pin	
9	685846	Nut	
10	F300106P	Lid Lock Solenoid	120 Volt
	F300107	Lid Lock Solenoid	220 Volt
11	F431000	Nut	
12	F602483	Lid Lock Mounting Bracket Assembly	
13	F430106	Screw	
14	F432200	Sandwich Mount	
15	F601184	Lid Lock Mounting Bracket	
16	F190800	Lid Lock Cable	
17	F170601	Lid Lock Grommet	

N/A = Part no longer available

Control Panel Assembly - Carwash and Combination Timer Option Controls

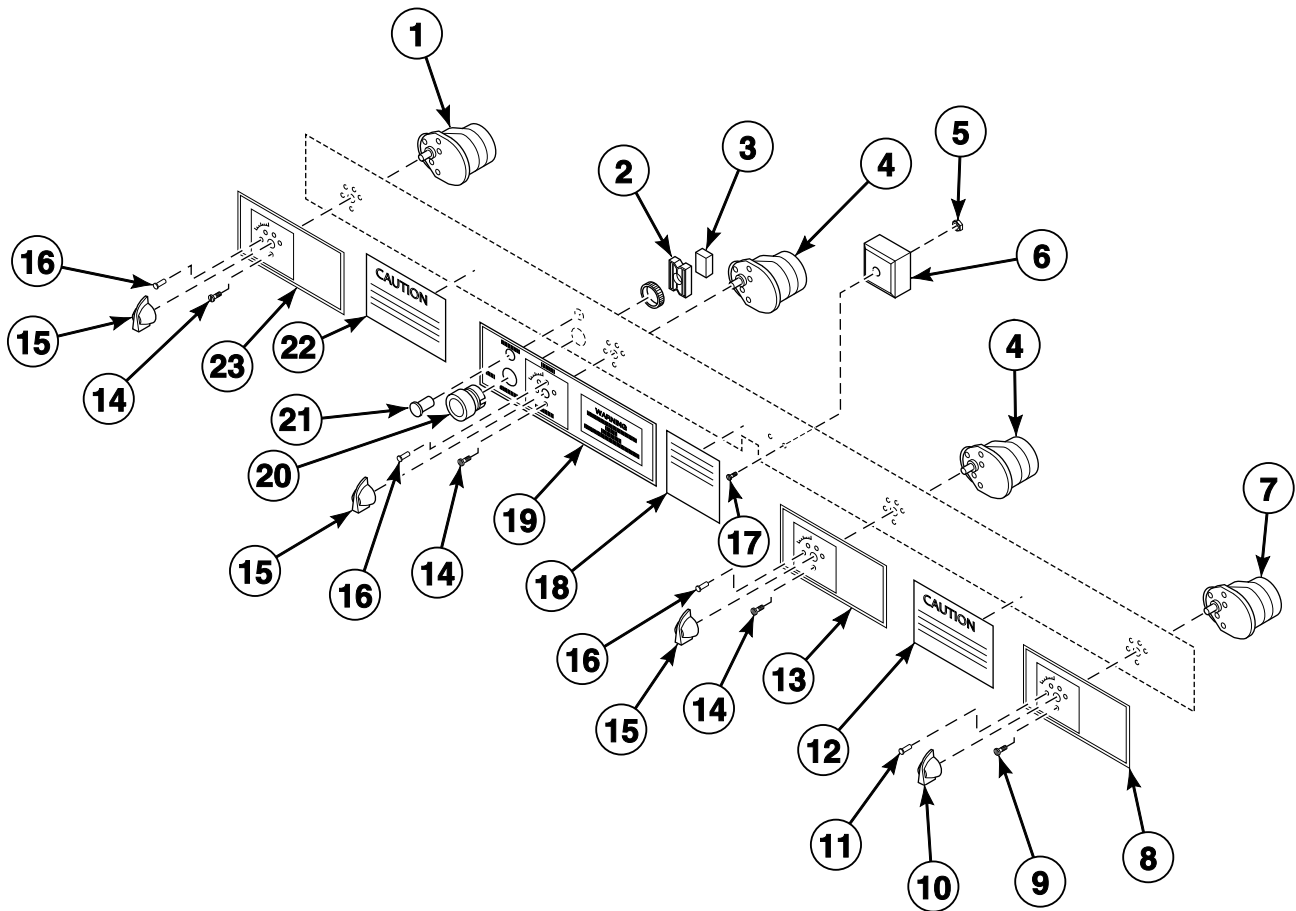


CAR2430P_F232115

Control Panel Assembly - Carwash and Combination Timer Option Controls

REF	PART NO.	DESCRIPTION	COMMENTS
	F730222	Rotation Sensor Kit	Includes item 13, F604498 Wire Harness, F604497 Bracket Assembly, F604254 Sensor Drip Cover Assembly, F430976 Screw, F430521 Screw, F430520 Screw, F430312 Washer, F430232 Nut, F140910 Insulator Bushing and 201415 Screw
1	F340720	Latch Mounting Base	
2	F340444	Contact Block and Mounting Switch	800E-series; Includes F330170 Contact and item 1
	F200233400	Contact Block Switch	800F-series; Used with Momentary Pushbuttons F8069601 and F8069602; Includes F8538101 Contact Base and F8069501 Contact Switch
	F200233401	Contact Block Switch	800F-series; Used with F8069603 Momentary Pushbutton; Includes F8538101 Contact Base and F8069502 Contact Switch
	F330170	Contact	800E-series
	F8538101	Contact Base	
3	F340445	Contact Block Switch	800E-series; Includes F200299500 Contact Block Switch and item 1
	F200299500	Contact Block Switch	800E-series
	F8069501	Contact Switch	
	F8069502	Contact	
4	F730201	Timer Kit	120 Volt; Carwash; 15 minute; Includes items 16 and 17
	F730202	Timer Kit	220 Volt; Carwash; 15 minute; Includes items 16 and 17
	F959P3	Timer Kit	120 Volt; Carwash; 15 minute
	F952P3	Timer Kit	220 Volt; Carwash; 15 minute
	F777800	Timer Kit	120 Volt; Combination; 3 and 5 minute; Includes items 16 and 17
	F330337P	Timer	120 Volt; Combination; 3 and 5 minute
5	F431017	Nut	
6	F330203	Relay	N.O., 120 VAC, 30 seconds, TDR
	F330206	Relay	N.O., 240 VAC, 30 seconds, TDR
7	F230733	Right Wash/Run Decal	Models UM202 and UM1202
8	F340707	Momentary Pushbutton	Green; Models through 3/99; Includes nut; Models UM202 and UM1202
	F8069901P	Button Kit	Green; Used to convert from 800E-series to 800F-series; Includes F200233400 Contact Block Switch and F8069601 Momentary Pushbutton
	F8069601	Momentary Pushbutton	Green; 800F-series
9	F8069903P	Button Kit	Red; Used to convert from 800E-series to 800F-series; Includes Contact Block Switch F200233401 and Momentary Pushbutton F8069603
	F8069603	Momentary Pushbutton	Red; 800F-series
10	F350412	Light	Red
11	F431017	Nut	
12	F430920	Screw	
13	F370543	Proximity Breaking System	Models through 5/01
14	F231442	Water Level Caution Decal	
15	F230731	Rinse Decal	
16	F430998	Screw	
17	F330506	Timer Knob	Carwash
	N/A	Indicator Knob	Combination
18	F432213	Nut	
19	F432291	Screw	
20	F231053	Lid Unlock Enable Decal	
21	F230730	Extract Decal	
22	F340709	Momentary Pushbutton	Black; Models through 3/99; Includes nut
	N/A	Momentary Pushbutton	Black; Models starting 4/99; Includes nut; 800E-series
	F8069902P	Button Kit	Black; Used to convert from 800E-series to 800F-series; Includes F200233400 Contact Block Switch and F8069602 Momentary Pushbutton
23	F230732	Left Wash/Run Decal	

Control Panel Assembly - Standard and Combination Timer Option Controls



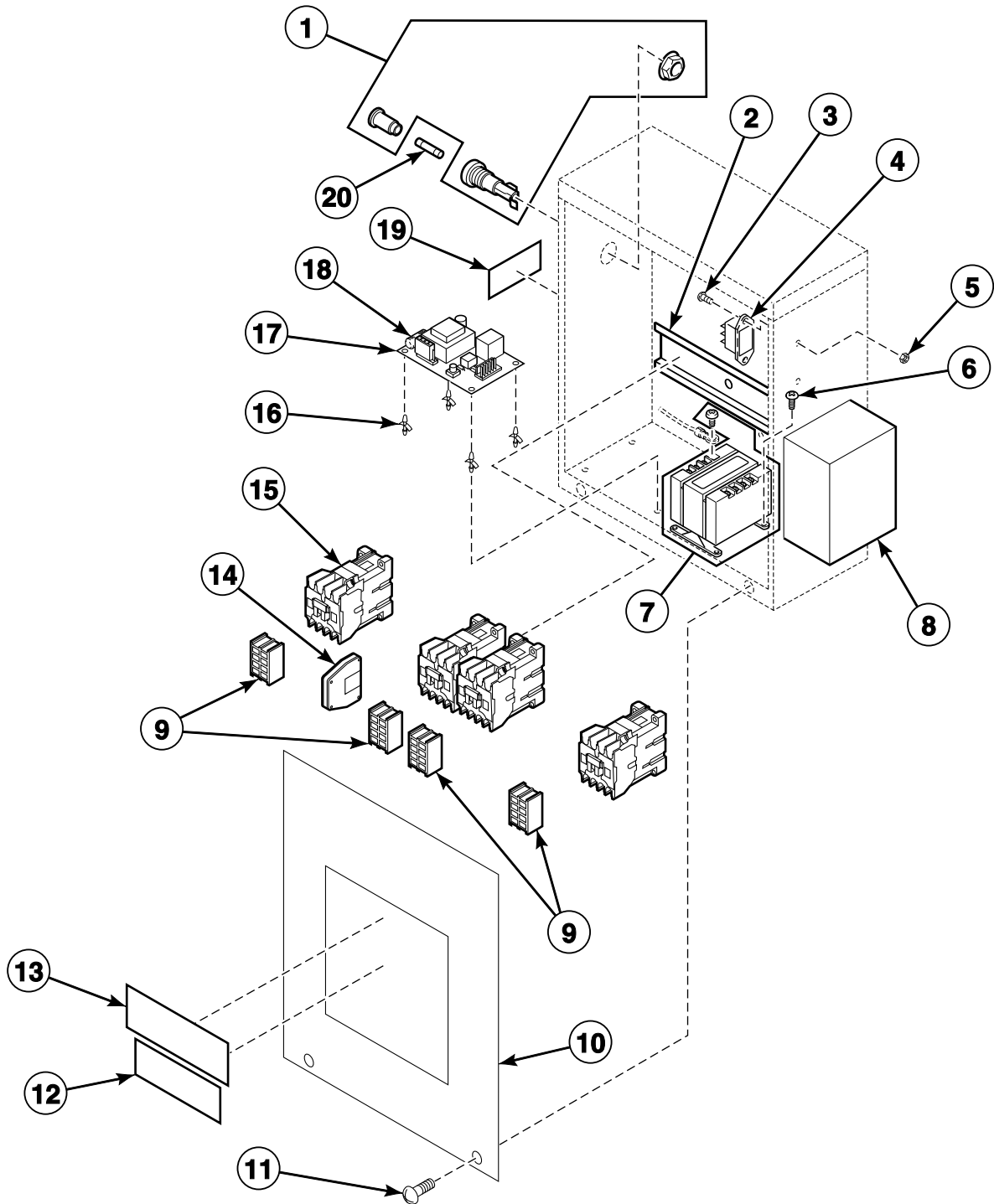
CAR2431P_F232115

Control Panel Assembly - Standard and Combination Timer Option Controls

REF	PART NO.	DESCRIPTION	COMMENTS
1	F730201	Timer Kit	120 Volt; Includes items 14 and 15; Standard
	F730202	Timer Kit	220 Volt; Includes items 14 and 15; Standard
	F959P3	Timer Kit	120 Volt; Standard
	F952P3	Timer Kit	220 Volt; Standard
2	F340720	Latch Mounting Base	
3	F340444	Contact Block and Mounting Switch	Includes item 2 and F330170 Contact
	F330170	Contact	800E-series
	F200233400	Contact Block Switch	800F-series; Include F8538101 Contact Base and F8069501 Contact Switch
	F8538101	Contact Base	
	F8069501	Contact Switch	
4	F330337P	Timer	120 Volt; Combination; 3 and 5 minute
5	F431017	Nut	
6	N/A	Relay	
7	N/A	Timer Kit	120 Volt; Includes items 9 and 10; Standard; 15 minute; Models UM202 and UM1202
	F730202	Timer Kit	220 Volt; Includes items 9 and 10; Standard; 15 minute; Models UM202 and UM1202
	F959P3	Timer Kit	120 Volt; Standard; 15 minute; Models UM202 and UM1202
	F952P3	Timer Kit	220 Volt; Standard; 15 minute; Models UM202 and UM1202
8	F231051	Right Wash Dial Decal	Models UM202 and UM1202
9	F430998	Screw	Model UM202
10	F330506	Timer Knob	Model UM202
11	F432213	Nut	Model UM202
12	F231442	Water Level Caution Decal	Models UM202 and UM1202
13	F230731	Rinse Decal	
14	F430998	Screw	
15	F330506	Timer Knob	
16	F432213	Nut	
17	F432291	Screw	
18	F231053	Lid Unlock Enable Decal	
16	F230730	Extract Decal	
20	F340709	Momentary Pushbutton	Black; Models through 3/99; Includes nut
	N/A	Momentary Pushbutton	Black; Models starting 4/99; Includes nut; 800E-series
	F8069902P	Button Kit	Black; Used to convert from 800E-series to 800F-series; Includes F200233400 Contact Block Switch and F8069602 Momentary Pushbutton
	F8069602	Momentary Pushbutton	800F-series
21	F350412	Light	Red
22	F231442	Water Level Caution Decal	
23	F231050	Left Wash Dial Decal	

N/A = Part no longer available

Contactor Box Assembly - AB Contactors



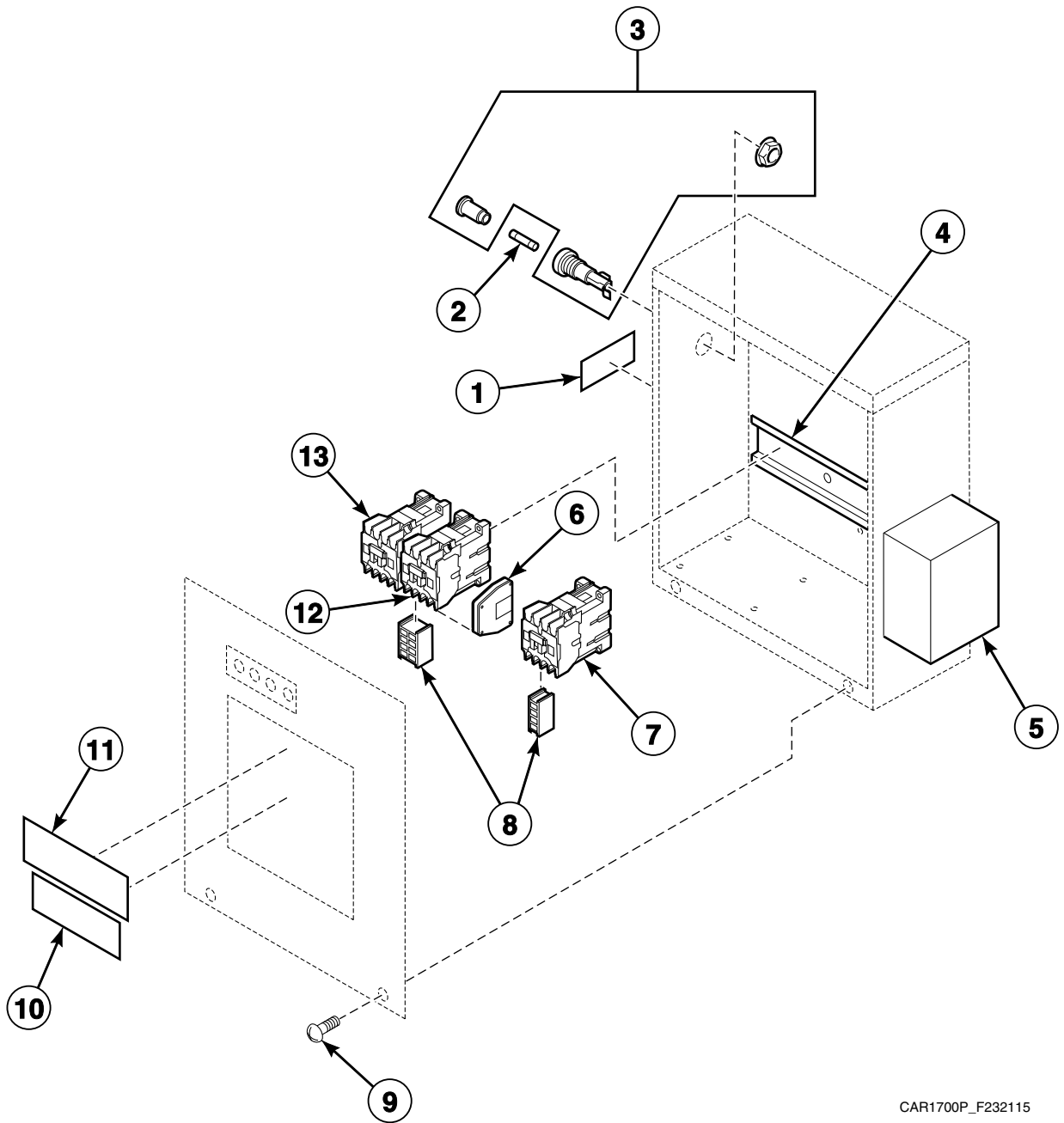
CAR1699P_F232115

Contactor Box Assembly - AB Contactors

REF	PART NO.	DESCRIPTION	COMMENTS
	F602684	Electrical Box	Model UM100; 120 Volt; Includes items 1-3, 5, 8, 12-14, 20, F330227 Flange Relay and F330175P Contactor
	N/A	Electrical Box	Model UM100; 120 Volt; For carwash models; Includes items 1-3, 5, 8, 9, 12, 13, 20, F330227 Flange Relay and F330175P Contactor
	F604259	Electrical Box	Model UM202; 120 Volt; Includes items 1, 2, 8, 14, F330227 Flange Relay and F330175P Contactor
	F604259-1	Electrical Box	Model UM202; 220 Volt; Includes items 1, 2, 8, 14, F330230 Flange Relay and F330177P Contactor
	F604259-2	Electrical Box	Model UM202; 120 Volt; For combination timer; Includes items 1, 2, 8, 14, F330227 Flange Relay and F330175P Contactor
	N/A	Electrical Box	Model UM202; 120 Volt; For carwash models; Includes items 1, 2, 8, 9, F330227 Flange Relay and F330175P Contactor
	N/A	Electrical Box	Model UM202; 220 Volt; For carwash models; Includes items 1, 2, 8, 9, F330230 Flange Relay and F330177P Contactor
	N/A	Electrical Box	Model UM202; 120 Volt; For combination timer/carwash models; Includes items 1, 2, 8, 9, F330227 Flange Relay and F330175P Contactor
	F743800	Contactor Kit	120 Volt; Square D to AB contactors; Includes contactors, interlocks and contactor mounting rail
	N/A	Contactor Kit	220 Volt; Square D to AB contactors; Includes contactors, interlocks and contactor mounting rail
1	F350304P	Fuse Holder	
2	F610078	Contactor Mounting Rail	
3	F430928	Screw	
4	F330227	Flange Relay	120 Volt
	F330230	Flange Relay	220 Volt
5	F430231	Nut	
6	F430115	Screw	
7	C000203	Transformer	O or F-voltage; Not used on all models
	F360117P	Transformer	C or D-voltage; Not used on all models
	F350125	Fuse	1.5 Amp; Use with F360117P Transformer
8	F140400	Junction Box	
9	F330185P	Auxiliary Contactor	Carwash models; 100-FA11
10	F140430	Junction Box	
11	201415	Screw	
12	F230301	This Machine Must Be Protected Decal	
13	F230300	Motor Equipped with Auto Decal	
14	F330186P	Interlock Contactor	
15	F330175P	Contactor	120 Volt; C16
	F330177P	Contactor	220 Volt; C16
16	F180501	Standoff	
17	F0370453-00P	Rotation Detection CCA	
18	F350148	Fuse	
19	N/A	Fuse Decal	
20	F350104	Fuse	

N/A = Part no longer available

Contactor Box Assembly - Benedict and Jaeger Contactors



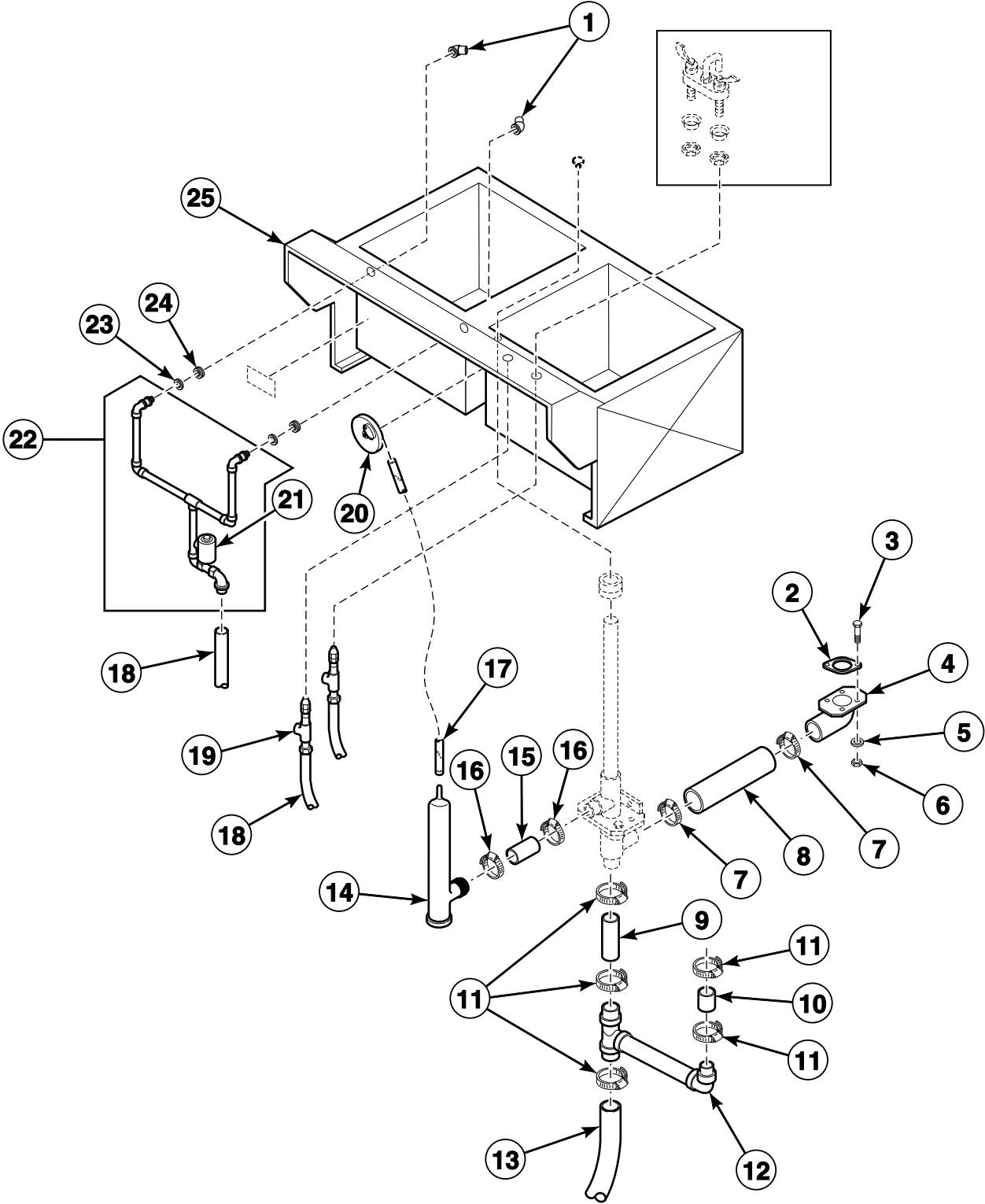
CAR1700P_F232115

Contactor Box Assembly - Benedict and Jaeger Contactors

REF	PART NO.	DESCRIPTION	COMMENTS
1	N/A	Fuse Decal	
2	F350104	Fuse	
3	F350304P	Fuse Holder	
4	F610083	Contactor Mounting Rail	
5	F140401	Junction Box Cover	
6	F330111	Mechanical Interlock	
7	F330137	Auxiliary Block Contactor	NC
8	F330136	Auxiliary Block	NO HN10
9	201415	Screw	
10	F230301	This Machine Must Be Protected Decal	
11	F230300	Motor Equipped with Auto Decal	
12	F330109P	Relay	120 Volt; K207A22
	F330127	Contactor	220 Volt; K207A22
13	F330110P	Contactor	120 Volt; K2-1601
	F330114	Contactor	220 Volt; K2-1601

N/A = Part no longer available

Drain, Spray-Rinse and Fill Assembly - UM100 and UM1202



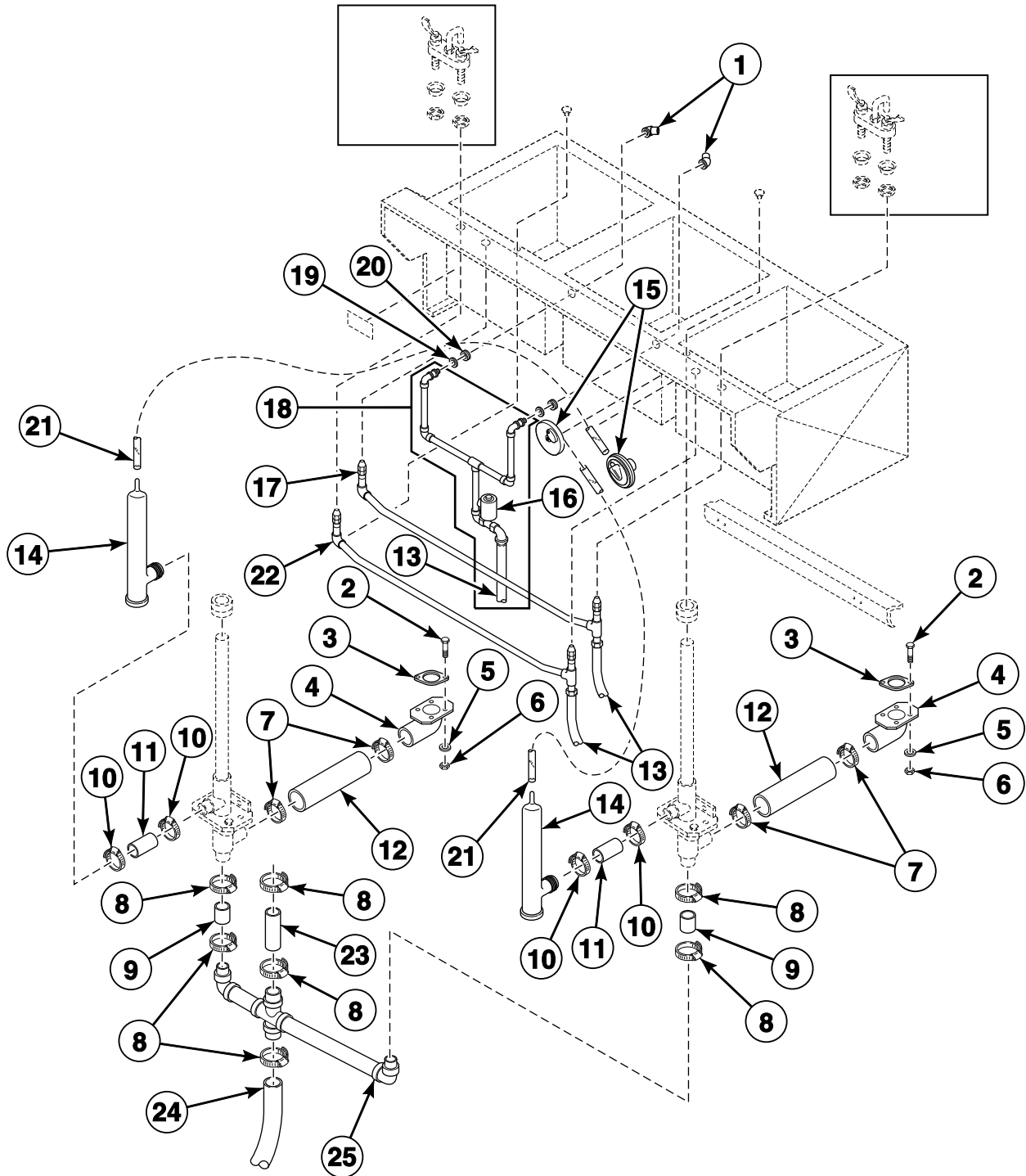
CAR1701P_F232115

Drain, Spray-Rinse and Fill Assembly - UM100 and UM1202

REF	PART NO.	DESCRIPTION	COMMENTS
	F380986P	DIN Coil	120 Volt; Use with F381702P Valve
	F380987P	DIN Coil	220 Volt; Use with F381703P Valve
	F8382301	DIN Valve Adapter Kit	Use with F8322803 Valve and F8322806 Valve
	F8456201P	Valve Transition Kit	Use with F8322803 Valve and F8322806 Valve
	F8514601	Coil	Use with F8322803 Valve
	F8514701	Coil	Use with F8322806 Valve
1	F422310	Street Elbow	
2	F170501	Flanged Elbow Gasket	
3	F430906	Screw	
4	F150302	Drain Elbow	
5	F431112	Washer	
6	F430204	Nut	
7	F200215	Hose Clamp	No. 28
8	F610071	Hose	
9	F608623-2	Hose	
10	F610072	Hose	
11	F200213	Hose Clamp	No. 40
12	F601457	Drain Manifold	
13	F200114P	Hose	
14	30907	Pressure Bulb	
15	F200104P	Hose	
16	F200230	Hose Clamp	No. 16
17	F422404P	Tubing	
18	F200164	Water Hose	Standard thread
	F200166	Water Hose	Metric thread
19	N/A	Hot/Cold Plumbing Manifold	Standard thread
	N/A	Hot/Cold Plumbing Manifold	Metric thread
20	35889P	Pressure Switch	
21	F8322806	Valve	Replaces F381702P Valve; Includes F8514701 Coil; For models that have been upgraded with F8322806P Valve
	F8322806P	Valve	Replaces F381702P Valve; Includes F8322806 Valve, F8382301 DIN Valve Adapter Kit and F8514701 Coil
	F8322803P	Valve	Replaces F381703P Valve; Includes F8322803 Valve, F8382301 DIN Valve Adapter Kit and F8514601 Coil
22	N/A	Rinse Plumbing Assembly	120 Volt; Standard thread; Includes item 21
	N/A	Rinse Plumbing Assembly	120 Volt; Metric thread; Includes item 21
	N/A	Rinse Plumbing Assembly	220 Volt; Standard thread; Includes item 21
	N/A	Rinse Plumbing Assembly	220 Volt; Metric thread; Includes item 21
23	F431502	Washer	
24	F140910	Insulator Bushing	
25	F602493	Tub Assembly	Standard
	F602493-1	Tub Assembly	Carwash option models

N/A = Part no longer available

Drain, Spray-Rinse and Fill Assembly - UM202 and UM1202



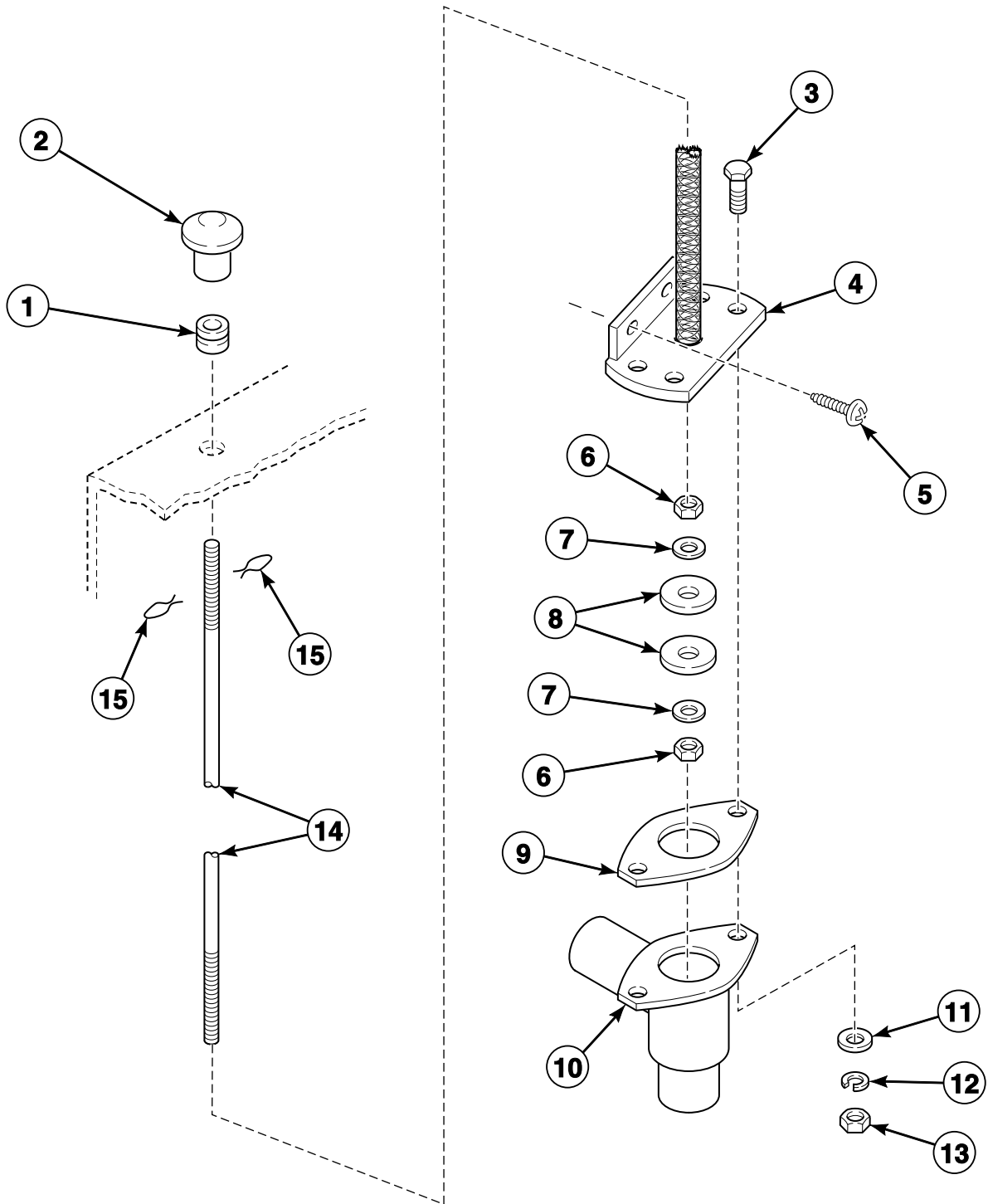
CAR1702P_F232115

Drain, Spray-Rinse and Fill Assembly - UM202 and UM1202

REF	PART NO.	DESCRIPTION	COMMENTS
	F380986P	DIN Coil	120 Volt; Use with F381702P Valve
	F380987P	DIN Coil	220 Volt; Use with F381703P Valve
	F8382301	DIN Valve Adapter Kit	Use with F8322803 Valve and F8322806 Valve
	F8456201P	Valve Transition Kit	Use with F8322803 Valve and F8322806 Valve
	F8514601	Coil	Use with F8322803 Valve
	F8514701	Coil	Use with F8322806 Valve
1	F422310	Street Elbow	
2	F430906	Screw	
3	F170501	Flanged Elbow Gasket	
4	F150302	Drain Elbow	
5	F431112	Washer	
6	F430204	Nut	
7	F200215	Hose Clamp	No. 28
8	F200213	Hose Clamp	No. 40
9	F610072	Hose	
10	F200230	Hose Clamp	No. 16
11	F200104P	Hose	
12	F610071	Hose	
13	F200164	Water Hose	Standard thread
	F200166	Water Hose	Metric thread
14	30907	Pressure Bulb	
15	35889P	Pressure Switch	
16	F8322806	Valve	Replaces F381702P Valve; Includes F8514701 Coil; For models that have been upgraded with F8322806P Valve
	F8322806P	Valve	Replaces F381702P Valve; Includes F8322806 Valve, F8382301 DIN Valve Adapter Kit and F8514701 Coil
	F8322803P	Valve	Replaces F381703P Valve; Includes F8322803 Valve, F8382301 DIN Valve Adapter Kit and F8514601 Coil
17	N/A	Hot Plumbing Manifold	
18	N/A	Rinse Plumbing Assembly	120 Volt; Standard; Includes item 16
	N/A	Rinse Plumbing Assembly	220 Volt; Standard; Includes item 16
	N/A	Rinse Plumbing Assembly	120 Volt; Metric; Includes item 16
	N/A	Rinse Plumbing Assembly	220 Volt; Metric; Includes item 16
19	F431502	Washer	
20	F140910	Insulator Bushing	
21	F422404P	Tubing	
22	N/A	Cold Plumbing Manifold	
23	F200105	Hose	Order 1 foot
24	F200114P	Hose	
25	F601504	Drain Valve Manifold	

N/A = Part no longer available

Drain Valve Assembly - Models Through 1997

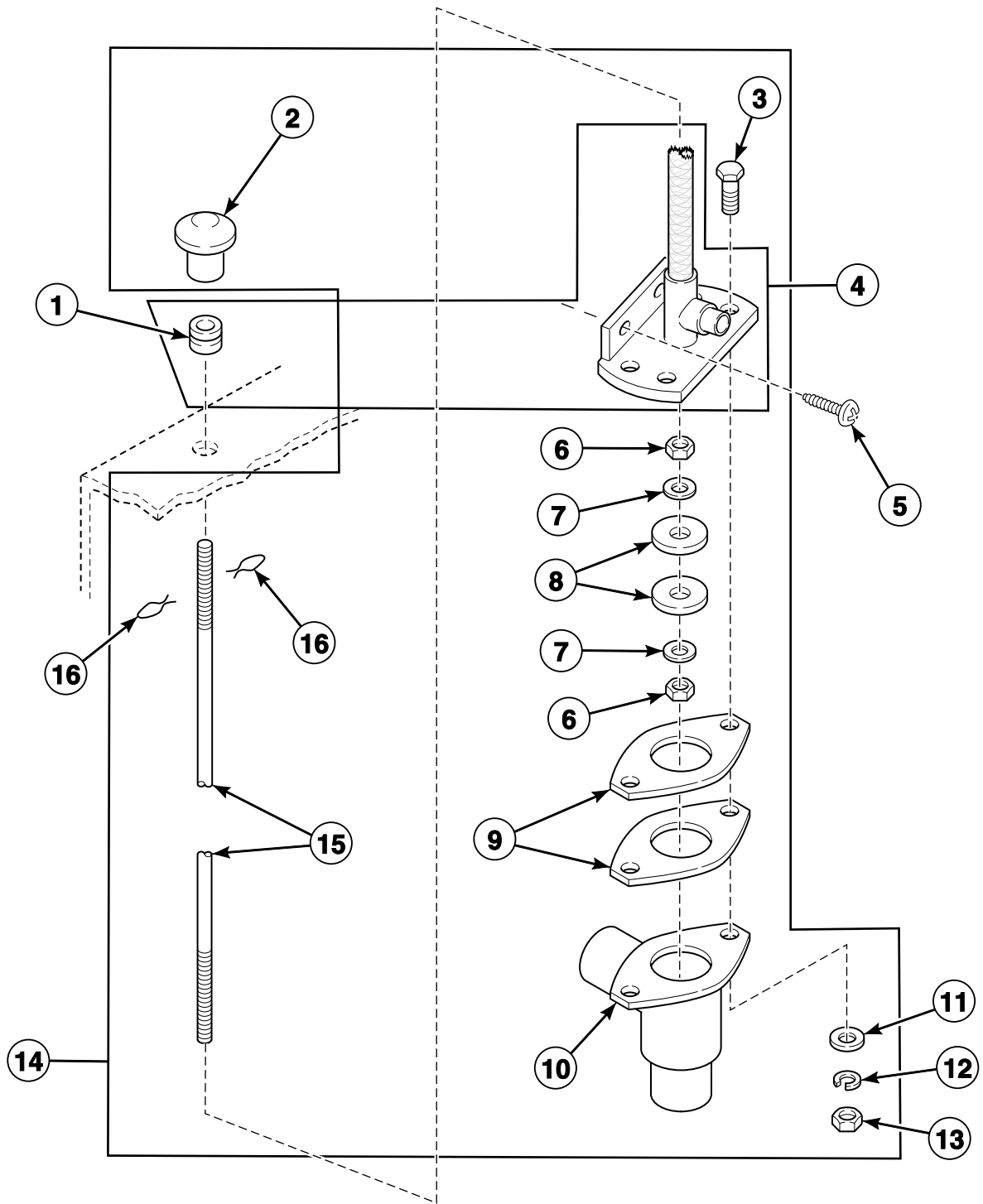


CAR1027P_F232115

Drain Valve Assembly - Models Through 1997

REF	PART NO.	DESCRIPTION	COMMENTS
1	F140910	Insulator Bushing	
2	F190101	Push-Pull Knob	
3	F430107	Screw	
4	F730004	Drain Valve Kit	Includes items 1-6 and 8-15
5	F430115	Screw	
6	F431402	Nut	
7	F431500	Washer	
8	F170107	Drain Valve Disc	
9	F170500	Drain Valve Gasket	
10	F150301	Drain Valve	
11	F430317	Washer	
12	F430322	Washer	
13	F430211	Nut	
14	F601388	Drain Valve Rod	
15	F431605	Cotter Pin	

Drain Valve Assembly - Models Starting 1998

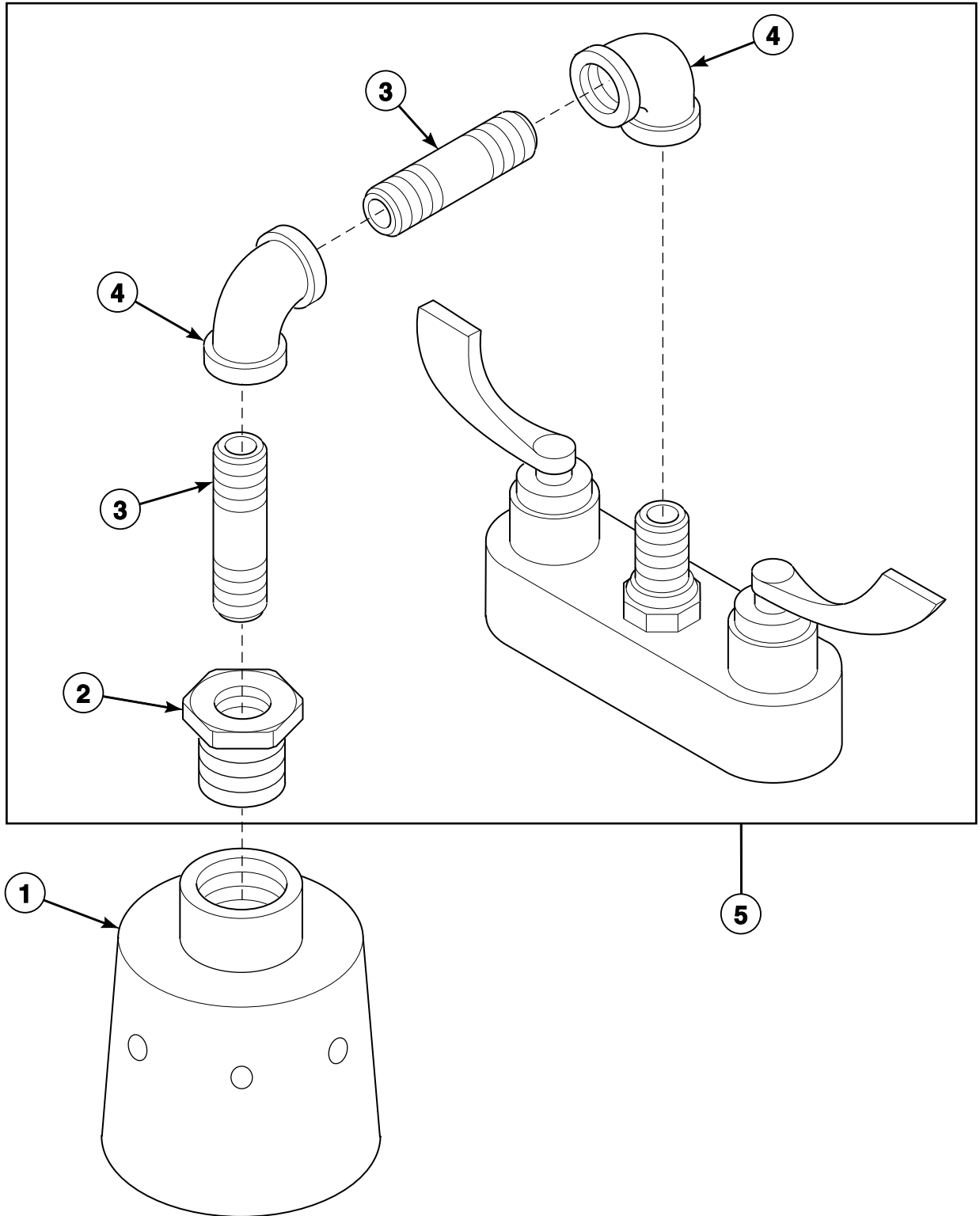


CAR1703P_F232115

Drain Valve Assembly - Models Starting 1998

REF	PART NO.	DESCRIPTION	COMMENTS
1	F140910	Insulator Bushing	
2	F190101	Push-Pull Knob	
3	F430108	Screw	
4	F8504201	Drain Valve Flange Assembly	Includes item 1
5	F430115	Screw	
6	F431402	Nut	
7	F431500	Washer	
8	F170107	Drain Valve Disc	
9	F170500	Drain Valve Gasket	2 required
10	F150301	Drain Valve	
11	F430317	Washer	
12	F430322	Washer	
13	F431005	Nut	
14	F200014700	Drain Valve/Air Trap Assembly	Includes items 2-4 and 6-16
15	F601388	Drain Valve Rod	
16	F431605	Cotter Pin	

Float Valve Assembly

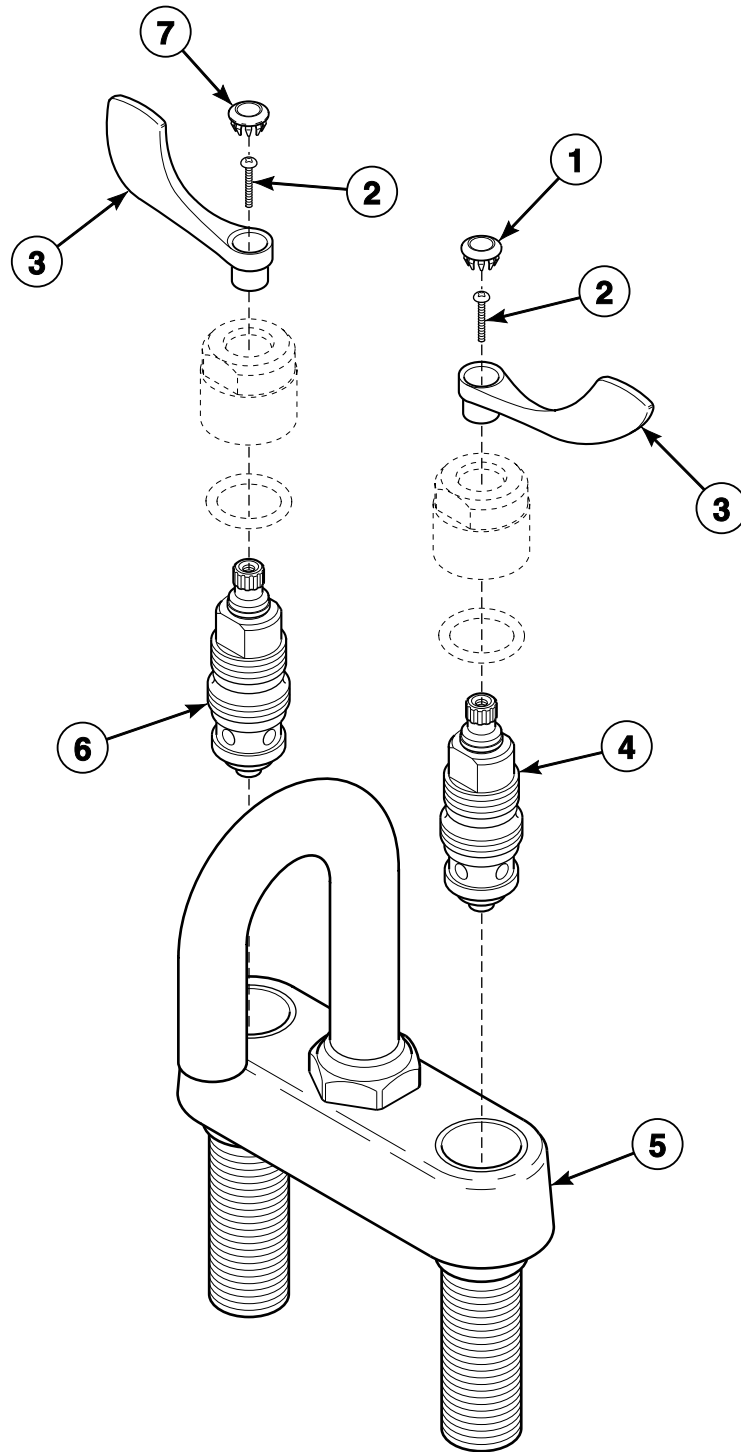


U082P_F232115

Float Valve Assembly

REF	PART NO.	DESCRIPTION	COMMENTS
	F730357	Faucet Kit	Includes items 1-4
1	F380401P	Float Valve	
2	F422004	Bushing	
3	F421915	Nipple	
4	F422315	Elbow	
5	F8080501	Faucet and Hardware Assembly	Includes items 2-4

Faucet Assembly



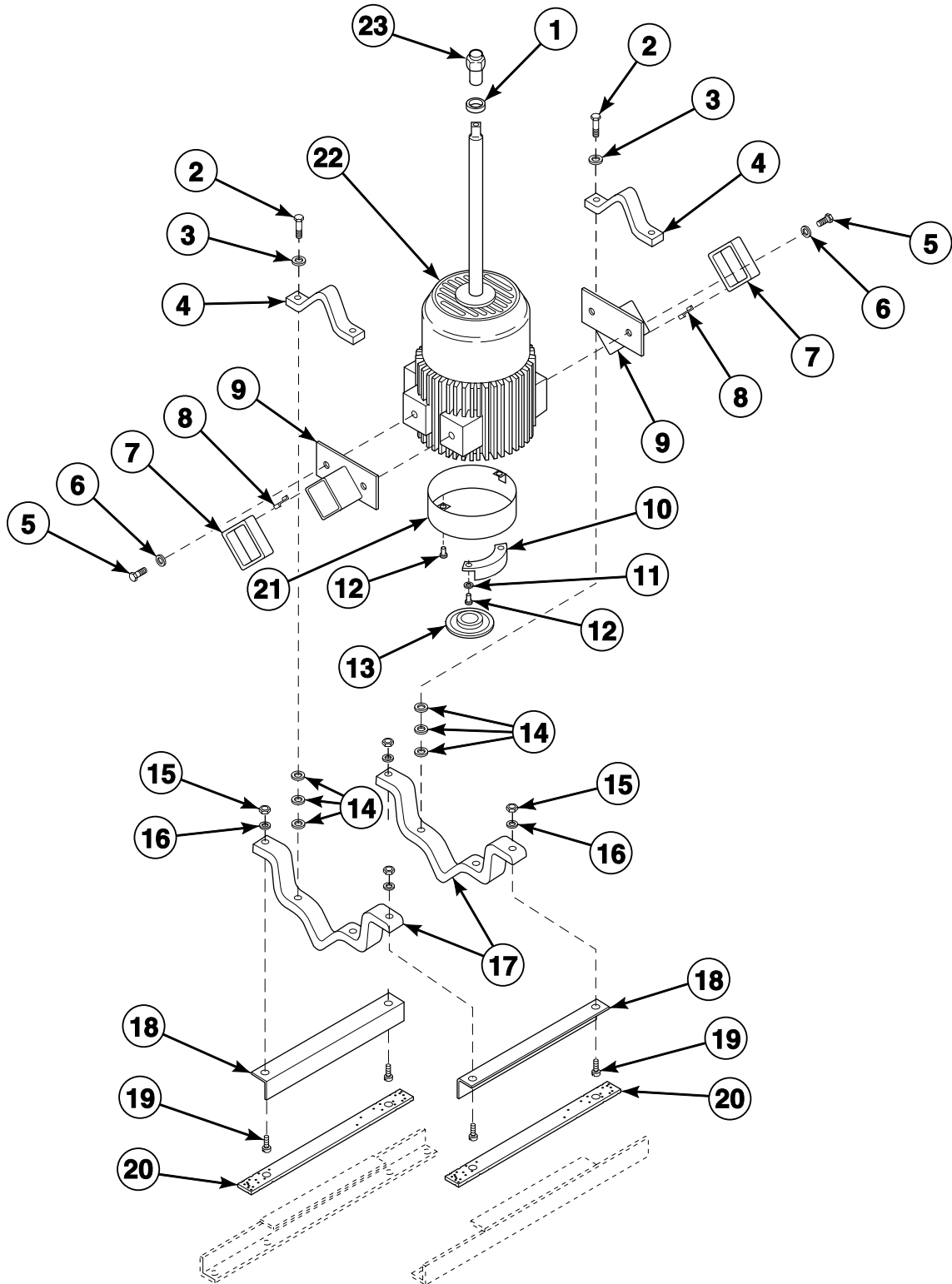
CAR1695P_F232115

Faucet Assembly

REF	PART NO.	DESCRIPTION	COMMENTS
1	F190912	Cold Faucet Button	
2	N/A	Screw	
3	F190916	Faucet Handle	
4	F190903	Right Faucet Trim Unit	Cold
5	F190703	Faucet Assembly	Includes items 1-4, 6, 7, nut and washer
6	F190904	Left Faucet Trim Unit	Hot
7	N/A	Hot Faucet Button	

N/A = Part no longer available

Motor Assembly

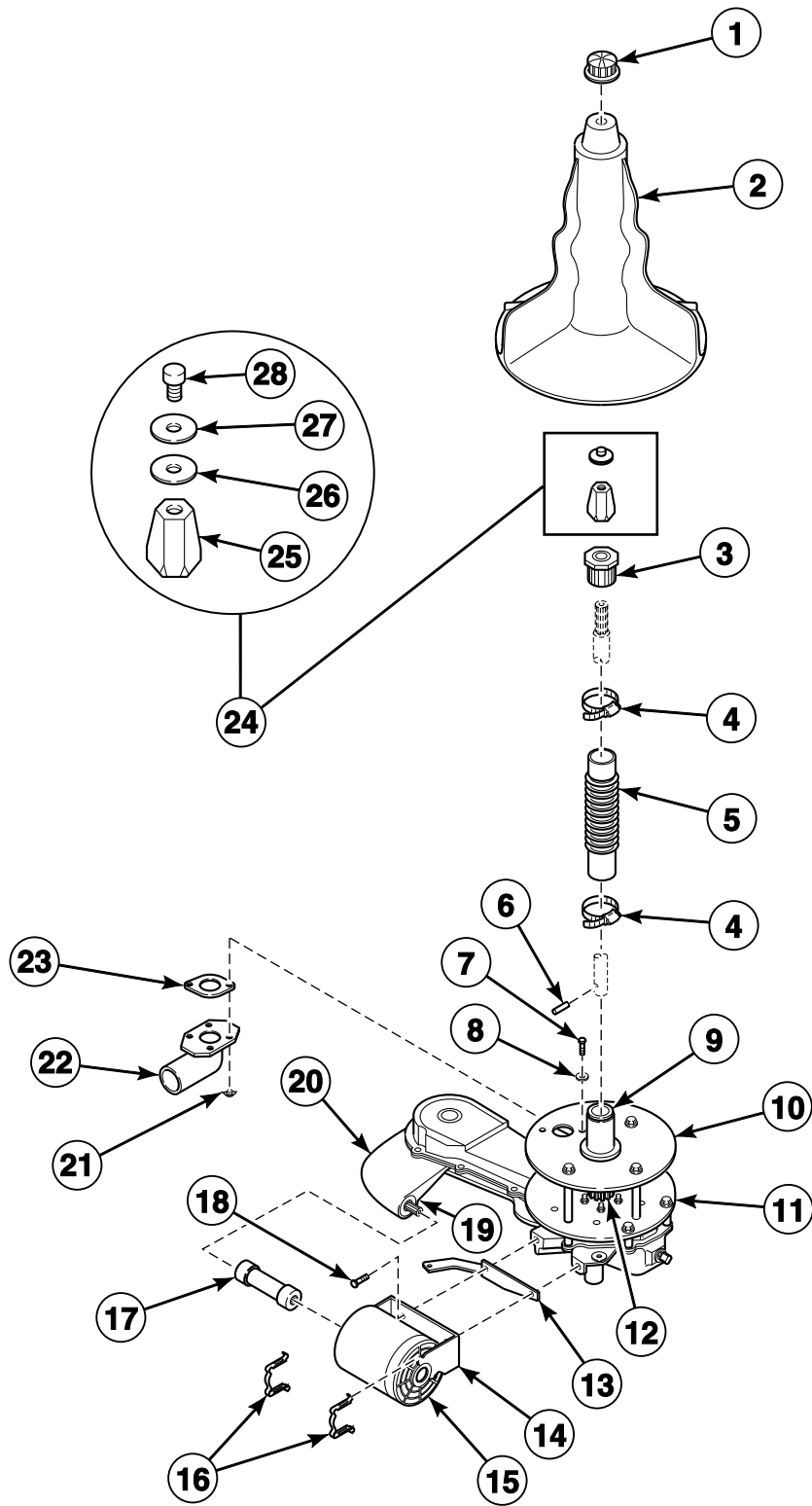


CAR680P_F232115

Motor Assembly

REF	PART NO.	DESCRIPTION	COMMENTS
1	F100206	Flinger	
2	F430104	Screw	
3	M400013	Washer	
4	F601387	Trunnion Cap	
5	F430100	Screw	
6	M400015	Washer	
7	F170100	Trunnion	
8	F601167	Z-Clip	
9	F601050	Motor Support Ear	
10	F370545P	Proximity Sensor	Models through 6/17/01
11	F430312	Washer	Models through 6/17/01
12	F430920	Screw	Models through 6/17/01
13	F370547	Proximity Wheel	Models through 6/17/01
14	M400081	Washer	
15	F430211	Nut	
16	F430322	Washer	
17	F601375	Trunnion Frame	
18	F601182	Trunnion Frame Angle	
19	F430112	Screw	
20	F170111	Sponge Rubber	
21	F604254	Sensor Drip Cover Assembly	
22	F730112-1	Motor Kit	With mechanical clutch
	F730112-2	Motor Kit	With rotation direction detector; Models through 6/17/01
	F079884000	Rotation Sensor Kit	Includes items 10, 12, 13 and 21; Models starting 6/17/01
	F8504501P	Motor Kit	C, D, F and O-voltage; Models starting 6/18/01
23	F015030401	Basketball	

Transmission and Agitator Assembly - Models Starting 1985 Through 1994



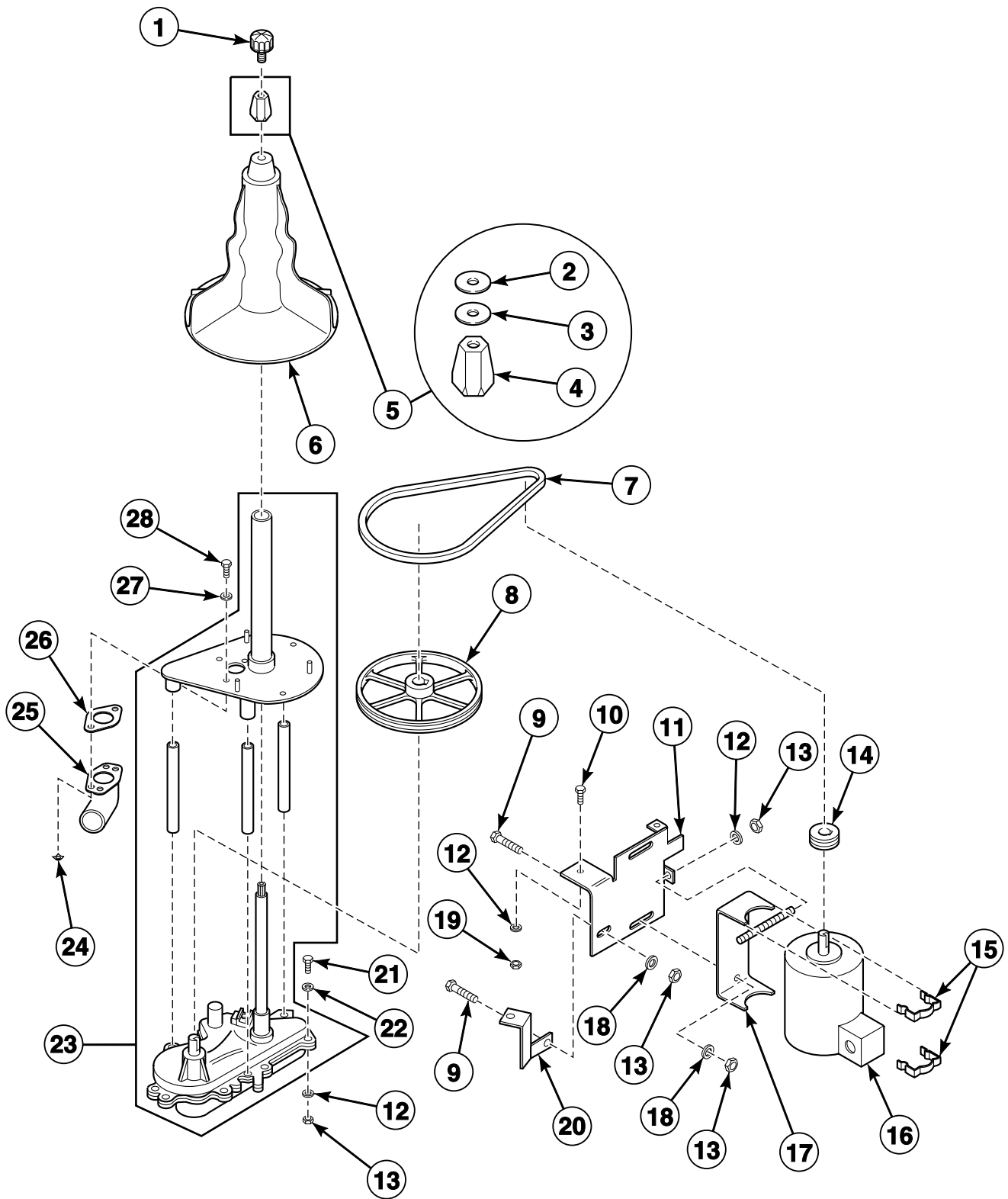
CAR1704P_F232115

Transmission and Agitator Assembly - Models Starting 1985 Through 1994

REF	PART NO.	DESCRIPTION	COMMENTS
1	F180301	Agitator Cap	
2	F180300	Agitator	
3	F602508	Top Bearing Assembly	
4	90554	Hose Clamp	No. 24
5	F200124	Water Hose	
6	F180477	Groove Pin	
7	F430906	Screw	
8	F431112	Washer	
9	F100121	Bushing	
10	F603452	Centerplate and Post Assembly	
11	F604863	Transmission Plate	
12	N/A	Standoff	
13	F604864	Transmission Bracket	
14	F180404	Transmission Motor Base	
15	N/A	Motor	115 Volt/60 Hertz/1 Phase; 1/3 hp
	F8367401P	Motor	Replaces F220106P Motor; 208-230 or 460 Volt/50 or 60 Hertz/3 Phase; 1/3 hp
16	F180435	Transmission Motor Clamp	
17	F180432	Transmission Hose Coupling	
18	N/A	Screw	
19	N/A	Input Shaft Seal	
20	F180469	Gear Case Gasket	
21	F430204	Nut	
22	F150302	Drain Elbow	
23	F170501	Flanged Elbow Gasket	
24	F798881	Transmission Retrofit Kit	
25	F180302P	Agitator Drive Block	
26	F180443	Agitator Shaft Seal	
27	F180463A	Washer	
28	F180405	Drive Block Stud	

N/A = Part no longer available

Transmission and Agitator Assembly - Models Starting 1995 Through 5/18/1998



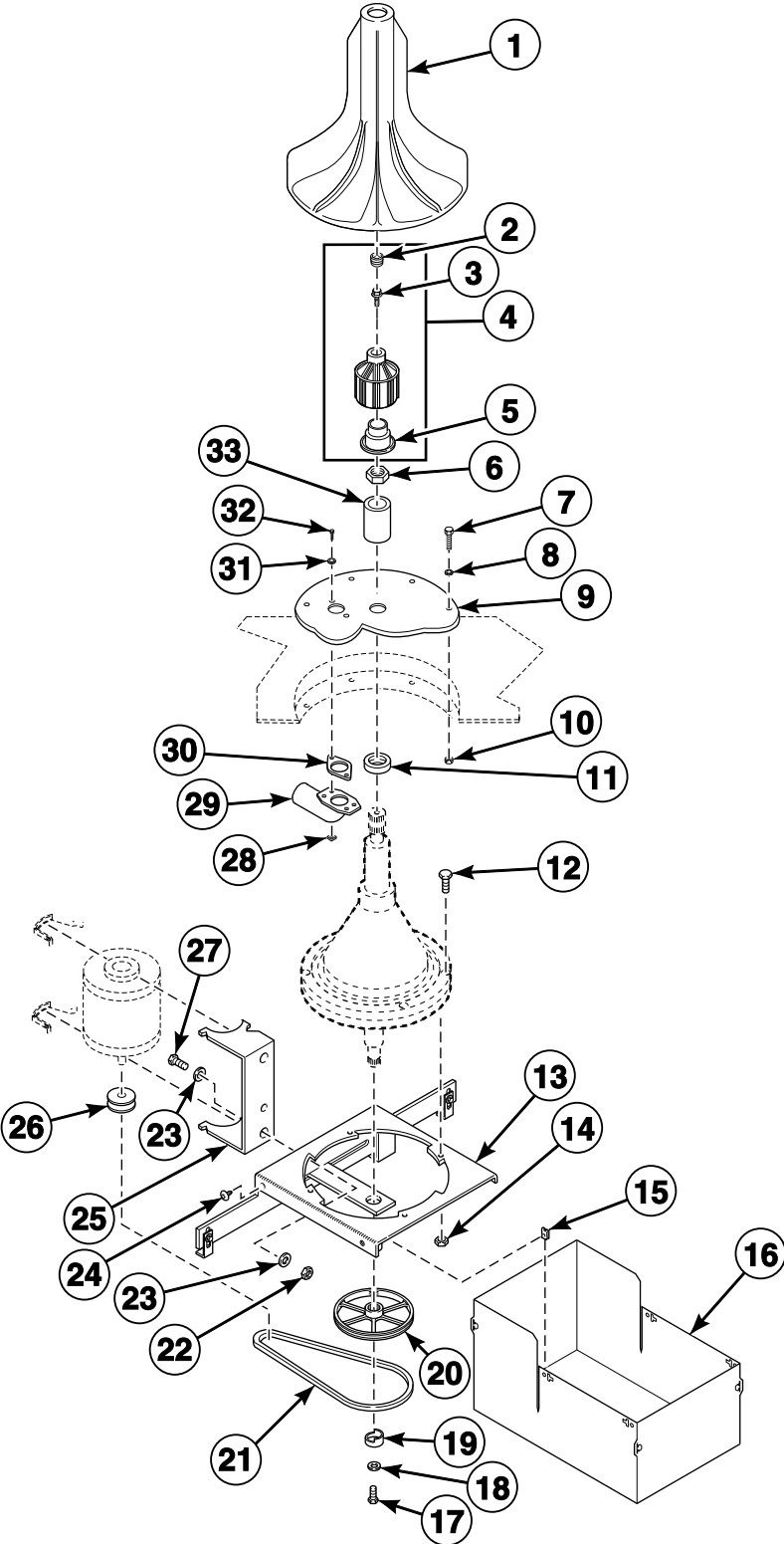
CAR1705P_F232115

Transmission and Agitator Assembly - Models Starting 1995 Through 5/18/1998

REF	PART NO.	DESCRIPTION	COMMENTS
1	F180301	Agitator Cap	
2	F180463A	Washer	
3	F180443	Agitator Shaft Seal	
4	F180302P	Agitator Drive Block	
5	F798881	Transmission Retrofit Kit	
6	F180300	Agitator	
7	F280405	Pulley Belt	
8	F280268	Pulley	AK104 x 3/4
9	F430116	Screw	
10	F430144	Screw	
11	F609838	Transmission Plate	
12	M400014	Washer	
13	F430205	Nut	
14	F280272P	Pulley	AS20 x 3/4
15	F180435	Transmission Motor Clamp	
16	F8367401P	Motor	Replaces F220106P Motor; 208-220 Volt/50 or 60 Hertz/ 3 Phase
17	F630460	Motor/Bolt Weldment	
18	M400013	Washer	
19	70142	Nut	
20	F609837	Transmission Support Bracket	
21	F430993	Screw	
22	M400081	Washer	
23	N/A	Transmission	Transmission must be replaced by F798881 Transmission Retrofit Kit
24	F430204	Nut	
25	F150302	Drain Elbow	
26	F170501	Flanged Elbow Gasket	
27	F431112	Washer	
28	F430935	Screw	

N/A = Part no longer available

Transmission Retrofit Kit Assembly - Models Through 5/18/1998

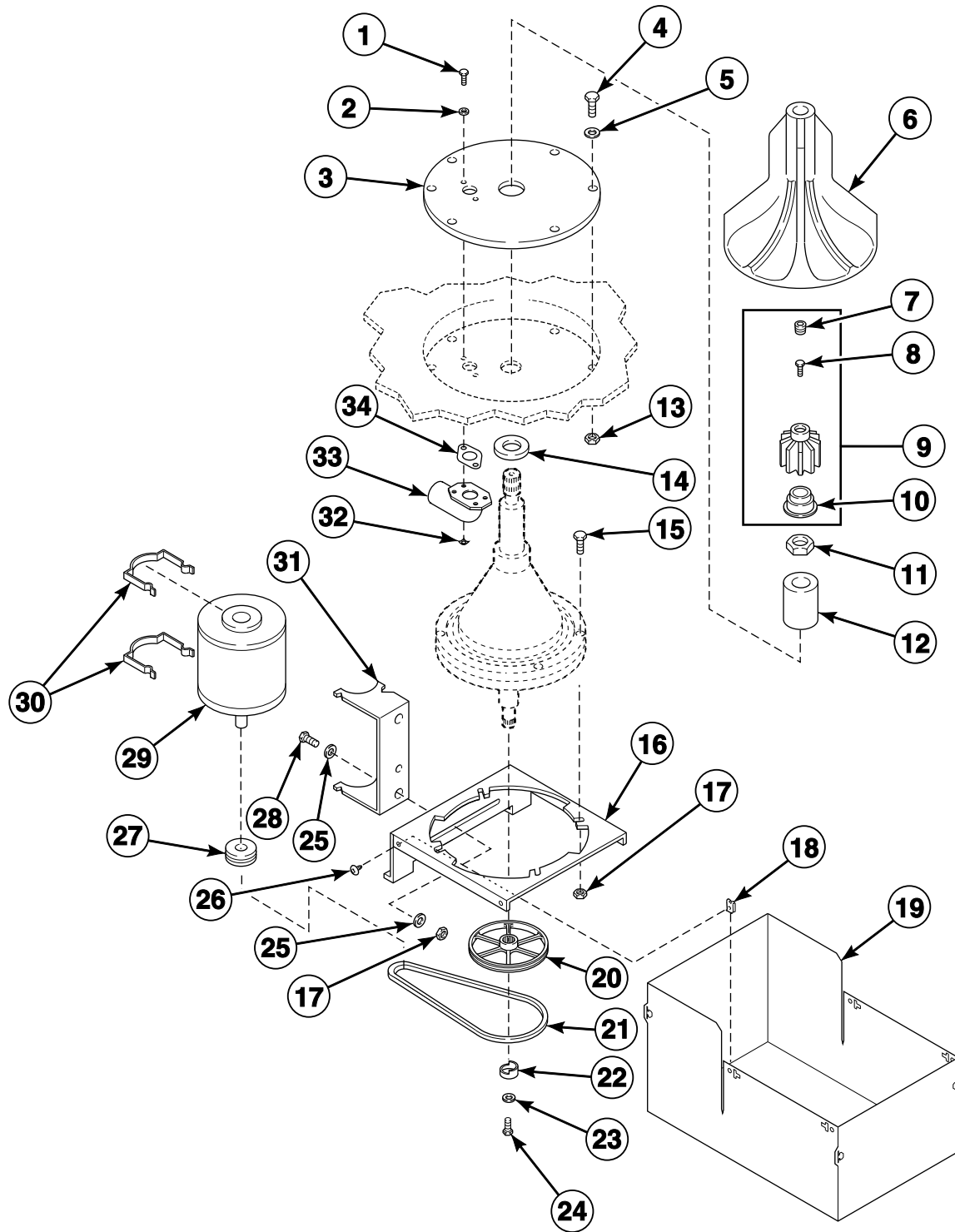


CAR2418P_F232115

Transmission Retrofit Kit Assembly - Models Through 5/18/1998

REF	PART NO.	DESCRIPTION	COMMENTS
	F798881	Transmission Retrofit Kit	Includes items 1-33, F200014700 Drain Valve/Air Trap Assembly and 35889P Pressure Switch; Use on models dated 1985 through 5/18/98. Machines prior to these dates may need further modification
1	33513	Agitator	
2	36511	Bell Plug	
3	39432	Screw	
4	39508P	Drive Bell and Seal Kit	Includes items 2, 3 and 5
5	36425	Bell and Transmission Tube Seal	
6	29220	Nut	
7	F430956	Screw	
8	F431116	Washer	
9	F634464	Transmission Adaptor Plate	Must install F798881 Transmission Retrofit Kit
10	F430233	Nut	
11	F422521	Spacer	Short
12	F430913	Screw	
13	F200004100	Motor/Transmission Plate Assembly	
14	F430215	Nut	
15	F430264	Nut	
16	F8186601	Motor and Transmission Cover	
17	27220	Screw	
18	26509	Washer	
19	38008	Helix	
20	38007	Pulley Assembly	
21	F280372	Belt	
22	F430215	Nut	
23	F430317	Washer	
24	F430956	Screw	
25	F180404	Transmission Motor Base	
26	F0280153-00	Motor Pulley	
27	F430106	Screw	
28	F430204	Nut	
29	F150302	Drain Elbow	
30	F170501	Flanged Elbow Gasket	
31	F431112	Washer	
32	F430906	Screw	
33	F422522	Spacer	Long

Transmission and Agitator Assembly - Models Starting 5/19/1998



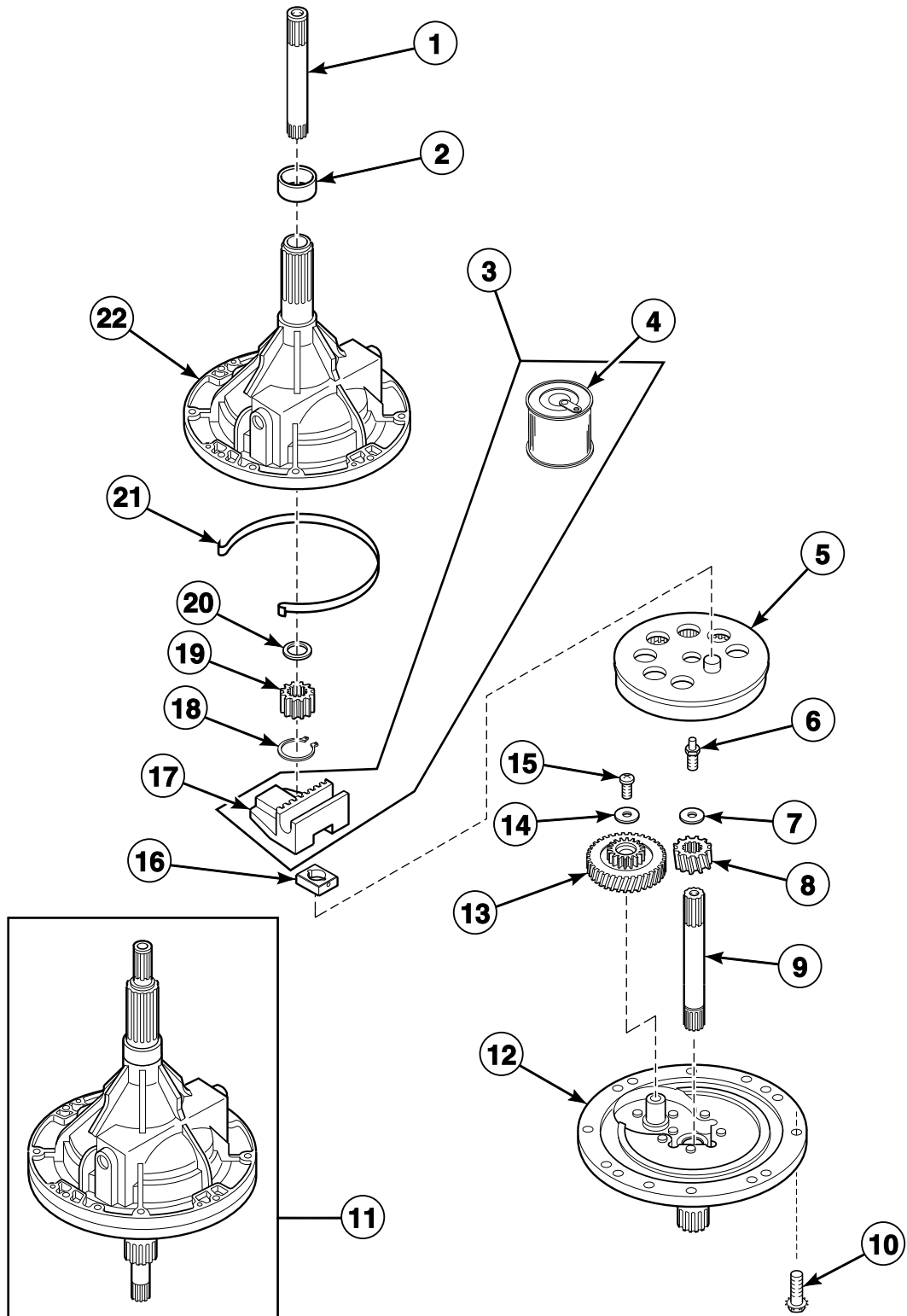
CAR2419P_F232115

Transmission and Agitator Assembly - Models Starting 5/19/1998

REF	PART NO.	DESCRIPTION	COMMENTS
1	F430906	Screw	
2	F431112	Washer	
3	N/A	Transmission Adapter Plate	Must install F798881 Transmission Retrofit Kit
4	F430946	Screw	
5	F431116	Washer	
6	33513	Agitator	
7	36511	Bell Plug	
8	39432	Screw	
9	39508P	Drive Bell and Seal Kit	Includes items 7, 8 and 10
10	36425	Bell and Transmission Tube Seal	
11	29220	Nut	
12	F422522	Spacer	
13	F431004	Nut	
14	F422521	Spacer	
15	F430913	Screw	
16	F200004100	Motor/Transmission Plate Assembly	
17	F430215	Nut	
18	F430264	Nut	
19	F8186601	Motor and Transmission Cover	
20	38007	Pulley Assembly	
21	F280372	Belt	
22	38008	Helix	
23	26509	Washer	
24	27220	Screw	
25	F430317	Washer	
26	F430956	Screw	
27	F0280153-00	Motor Pulley	AS2.30 x 1/2
28	F430107	Screw	
29	F8367401P	Motor	Replaces F220106P Motor; 208-220 Volt/50 or 60 Hertz/ 3 Phase
30	F180435	Transmission Motor Clamp	
31	F180404	Transmission Motor Base	
32	F430204	Nut	
33	F150302	Drain Elbow	
34	F170501	Flanged Elbow Gasket	

N/A = Part no longer available

Transmission Assembly



CAR2444P_F232115

Transmission Assembly

REF	PART NO.	DESCRIPTION	COMMENTS
	27604P	Anti-Seize Compound	Apply to smooth area of both the upper and lower transmission tube that will be contacting the upper and lower bearings and apply to spline area of upper and lower transmission tube that will be contacting the washtub
	37577P	Transmission Sealant	Use between transmission case and cover
1	36570P	Output Shaft	
2	201212	Hub Spacer	Included in 766P3A Hub and Lip Seal Kit
3	RB150004	Transmission Rebuild Kit	Includes items 4, 17 and 37577P Transmission Sealant
4	27243P	Transmission Oil	1 fill
5	26577	Gear and Stud Assembly	
6	201773	Screw	
7	26509	Washer	
8	37405	Drive Pinion	
9	38268P	Input Shaft	
10	32814	Screw	
11	38165P	Transmission Assembly	710 RPM; High spin
12	37471	Transmission Cover Assembly	
13	37404P	Reduction Gear	
14	29260	Washer	
15	29273	Screw	
16	26493	Slide	
17	201664	Rack	
18	27197	Retaining Ring	
19	27003	Agitator Pinion	
20	35092	Washer	
21	38864	Gear Sleeve	
22	33223P	Transmission Case Assembly	

Parts Index

A

Agitator	
F180300	39, 41
33513	43, 45
Agitator Cap	
F180301	39, 41
Agitator Drive Block	
F180302P	39, 41
Agitator Pinion	
27003	47
Agitator Shaft Seal	
F180443	39, 41
Anti-Seize Compound	
27604P	47
Auxiliary Block	
F330136	23
Auxiliary Block Contactor	
F330137	23
Auxiliary Contactor	
F330185P	21

B

Basket Assembly	
F602568P	5, 7
Basket Hub Center Kit	
F730109	5, 7
Basketball	
F015030401	5, 7, 37
Bell and Transmission Tube Seal	
36425	43, 45
Bell Plug	
36511	43, 45
Belt	
F280372	43, 45
Bushing	
F100121	39
F422004	33
Button Kit	
F8069901P	17
F8069902P	17, 19
F8069903P	17

C

Cable Support Bracket	
F605388	11
Cap	
F190310	13
Centerplate and Post Assembly	
F603452	39
Coil	
F8514601	25, 27
F8514701	25, 27
Cold Faucet Button	
F190912	35

Contact	
F330170	17, 19
Contact Base	
F8538101	17, 19
Contact Block and Mounting Switch	
F340444	17, 19
Contact Block Switch	
F200233400	17, 19
F200233401	17
F200299500	17
F340445	17
Contact Switch	
F8069501	17, 19
F8069502	17
Contactactor	
F330110P	23
F330114	23
F330127	23
F330175P	21
F330177P	21
Contactactor Kit	
F743800	21
Contactactor Mounting Rail	
F610078	21
F610083	23
Cotter Pin	
F430401	15
F431202	9
F431216	11
F431605	29, 31

D

DIN Coil	
F380986P	25, 27
F380987P	25, 27
DIN Valve Adapter Kit	
F8382301	25, 27
DIN Valve Kit	
F8521801	27
Drain Elbow	
F150302	25, 27, 39, 41, 43, 45
Drain Manifold	
F601457	25
Drain Valve	
F150301	29, 31
Drain Valve Disc	
F170107	29, 31
Drain Valve Flange Assembly	
F8504201	31
Drain Valve Gasket	
F170500	29, 31
Drain Valve Kit	
F730004	29
Drain Valve Manifold	
F601504	27
Drain Valve Rod	
F601388	29, 31
Drain Valve/Air Trap Assembly	
F200014700	31

N/A items do not appear in index.

Drive Bell and Seal Kit 39508P	43, 45
Drive Block Stud F180405	39
Drive Pinion 37405	47

E

Elbow F422315	33
Electrical Back Panel F601138	7
F601139	5
Electrical Box F602684	21
F604259	21
F604259-1	21
F604259-2	21
End Wrap F602496	5, 7
Extract Decal F230730	17, 19
Extractor Lid Kit F730020	9
F730371	9

F

Faucet and Hardware Assembly F8080501	33
Faucet Assembly F190703	35
Faucet Handle F190916	35
Faucet Kit F730357	33
Flange Relay F330227	21
F330230	21
Flanged Elbow Gasket F170501	25, 27, 39, 41, 43, 45
Flinger F100206	37
Float Valve F380401P	33
Frame Assembly F601260	5
Frame Weldment F200145100	7
Fuse F350104	21, 23
F350125	21
F350148	21
Fuse Holder F350304P	21, 23

G

Gear and Stud Assembly 26577	47
---------------------------------------	----

N/A items do not appear in index.

Gear Case Gasket F180469	39
Gear Sleeve 38864	47
Groove Pin F180477	39

H

Helix 38008	43, 45
Hose F200104P	25, 27
F200105	27
F200114P	25, 27
F608623-2	25
F610071	25, 27
F610072	25, 27
Hose Clamp F200213	25, 27
F200215	25, 27
F200230	25, 27
90554	39
Hub Spacer 201212	47

I

Input Shaft 38268P	47
Insulator Bushing F140910	25, 27, 29, 31
Interlock Contactor F330186P	21

J

Junction Box F140400	5, 7, 21
F140430	21
Junction Box Cover F140401	5, 7, 23

L

Latch Mounting Base F340720	17, 19
Left Faucet Trim Unit F190904	35
Left Wash Dial Decal F231050	19
Left Wash/Run Decal F230732	17
Lid Handle Weldment F200194600P	9, 15
Lid Hinge Assembly F603300	9
Lid Latch Block Assembly F602484	15

Lid Lock and Cable Kit	
F730008	15
F730368P	11
Lid Lock Assembly	
F605423P	11
Lid Lock Cable	
F190800	11, 13, 15
Lid Lock Grommet	
F170601	13, 15
Lid Lock Mounting Bracket	
F601184	15
Lid Lock Mounting Bracket Assembly	
F602483	13, 15
Lid Lock Slide	
F602514	11
Lid Lock Slide Carrier	
F150354	11
Lid Lock Solenoid	
F300106P	13, 15
F300107	13, 15
Lid Lock Spring	
F310128	11, 15
Lid Lock Spring Bracket	
F601958	9
Lid Spring	
F310122	9
Lid Unlock Enable Decal	
F231053	17, 19
Light	
F350412	17, 19
Logo Decal	
F230806	7

M

Machine May Be Hot Warning Decal	
F230757	9
Mechanical Interlock	
F330111	23
Microswitch	
F340903	9
Momentary Pushbutton	
F340707	17
F340709	17, 19
F8069601	17
F8069602	19
F8069903	17
Motor	
F8367401P	39, 41, 45
Motor and Transmission Cover	
F8186601	43, 45
Motor Equipped with Auto Decal	
F230300	21, 23
Motor Kit	
F730112-1	37
F730112-2	37
F8504501P	37
Motor Pulley	
F0280153-00	43, 45
Motor Rail	
F601486	5, 7
Motor Support Ear	
F601050	37

Motor/Bolt Weldment	
F630460	41
Motor/Transmission Plate Assembly	
F200004100	43, 45

N

Nipple	
F421915	33
Nut	
F430204	25, 27, 39, 41, 43, 45
F430205	41
F430209	13, 15
F430211	29, 37
F430215	43, 45
F430218	5, 7
F430231	21
F430233	43
F430264	43, 45
F431000	9, 13, 15
F431004	45
F431005	9, 31
F431017	11, 13, 17, 19
F431022	9
F431028	9
F431402	29, 31
F432213	17, 19
29220	43, 45
685846	15
70142	41

O

Output Shaft	
36570P	47

P

Pop Rivet	
F431210	11
Post and Screw Kit	
F730087	9
Pressure Bulb	
30907	25, 27
Pressure Switch	
35889P	25, 27
Proximity Breaking System	
F370543	17
Proximity Sensor	
F370545P	37
Proximity Wheel	
F370547	37
Pulley	
F280268	41
F280272P	41
Pulley Assembly	
38007	43, 45
Pulley Belt	
F280405	41
Push-Pull Knob	
F190101	29, 31

N/A items do not appear in index.

R

Rack	
201664	47
Reduction Gear	
37404P	47
Relay	
F330109P	23
F330203	17
F330206	17
Retaining Ring	
27197	47
Right Faucet Trim Unit	
F190903	35
Right Wash Dial Decal	
F231051	19
Right Wash/Run Decal	
F230733	17
Rinse Decal	
F230731	17, 19
Rivet	
F431603	15
Rivet Post	
F430147	9
Rotation Decal	
F230607	9
Rotation Detection CCA	
F0370453-00P	21
Rotation Sensor Kit	
F079884000	37
F730222	17

S

Saddle Hinge	
F150206	9
Saddle Pin	
F432308	9
Sandwich Mount	
F432200	15
Screw	
F430100	37
F430104	37
F430106	15, 43
F430107	29, 45
F430108	31
F430112	37
F430115	5, 7, 21, 29, 31
F430116	5, 7, 41
F430144	41
F430903	9, 13
F430906	9, 25, 27, 39, 43, 45
F430913	43, 45
F430920	9, 13, 17, 37
F430923	5, 7
F430928	21
F430935	41
F430938	9
F430939	5, 7
F430946	45
F430956	43, 45
F430986	9
F430993	41

F430996	13
F430998	17, 19
F432291	11, 17, 19
201415	21, 23
201773	47
27220	43, 45
29273	47
32814	47
39432	43, 45
Sensor Drip Cover Assembly	
F604254	37
Skirt Panel	
F601090	5
F601140P	7
Slide	
26493	47
Solenoid Spring	
F310105	13
Spacer	
F422521	43, 45
F422522	43, 45
Sponge Rubber	
F170111	37
Spring Bracket	
F601033	9
Standoff	
F180501	21
Street Elbow	
F422310	25, 27

T

This Machine Must Be Protected Decal	
F230301	21, 23
Timer	
F330337P	17, 19
Timer Kit	
F730201	17, 19
F730202	17, 19
F777800	17
F952P3	17, 19
F959P3	17, 19
Timer Knob	
F330506	17, 19
Top Bearing Assembly	
F602508	39
Transformer	
C000203	21
F360117P	21
Transmission Adaptor Plate	
F634464	43
Transmission Assembly	
38165P	47
Transmission Bracket	
F604864	39
Transmission Case Assembly	
33223P	47
Transmission Cover Assembly	
37471	47
Transmission Hose Coupling	
F180432	39
Transmission Motor Base	
F180404	39, 43, 45

N/A items do not appear in index.

Transmission Motor Clamp	
F180435	39, 41, 45
Transmission Oil	
27243P	47
Transmission Plate	
F604863	39
F609838	41
Transmission Rebuild Kit	
RB150004	47
Transmission Retrofit Kit	
F798881	39, 41, 43
Transmission Sealant	
37577P	47
Transmission Support Bracket	
F609837	41
Trunnion	
F170100	37
Trunnion Cap	
F601387	37
Trunnion Frame	
F601375	37
Trunnion Frame Angle	
F601182	37
Tub Assembly	
F602493	5, 25
F602493-1	5, 25
F602494	7
F602494-1	7
Tubing	
F422404P	25, 27

V

Valve	
F8322803P	25
F8322806	25, 27
F8322806P	25, 27
Valve Transition Kit	
F8456201P	25, 27

W

Washer	
F180463A	39, 41
F430312	37
F430317	29, 31, 43, 45
F430322	29, 31, 37
F431102	9
F431104	5, 7
F431106	9, 13, 15
F431112	5, 7, 25, 27, 39, 41, 43, 45
F431113	9
F431116	43, 45
F431500	29, 31
F431502	25, 27
M400013	37, 41
M400014	41
M400015	37
M400081	5, 7, 37, 41
26509	43, 45, 47
29260	47
35092	47

Water Hose	
F200124	39
F200164	25, 27
F200166	25, 27
Water Level Caution Decal	
F231442	5, 7, 17, 19

Z

Z-Clip	
F601167	37
