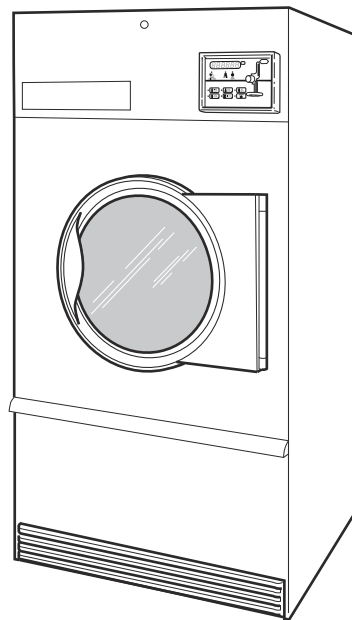


# Tumble Dryers

75 Pound Capacity

18 Digit Model Numbers with 3 and 5 in 13th Position

Refer to Page 5 for Model Numbers



TMB1284C\_70591901



# Table of Contents

Title	Page
Parts Ordering Information.....	3
Serial Plate Location .....	3
Machine Identification .....	5
Product Overview - Heat Source and Voltage .....	6
Product Overview - FN Control Suffix .....	8
Product Overview - DN and NN Control Suffixes.....	10
Product Overview - B, N and W Control Suffixes.....	12
Control Box .....	14
Fire Suppression System Control Box .....	16
Dual Digital Control .....	18
Electronic Display Control - Vend Models with B in the 7th Position .....	20
Electronic Display Control - Vend Models with N or W in the 7th Position.....	22
Electronic Display Control Overlays- Vend Models with N or W in the 7th Position .....	24
Electronic Display Control - OPL Models with N in the 7th Position .....	26
3.5 Inch Graphical Control .....	28
Coin Drops .....	30
Coin Drop Kits.....	32
Network Board, Central Pay and Card Reader Components.....	34
Emergency Stop Button - OPL Models .....	36
Cabinet Front Components.....	38
Cabinet Panels and Nameplates .....	40
Cabinet Panels and Nameplates - Design 5 S Models .....	42
Front Panel Assemblies - Design 3 Models .....	44
Front Panel Assemblies - Design 5 Models .....	46
Lower Cabinet Front Components .....	48
Lint Panel Components.....	50
Cabinet Components .....	52
Rear Panel and Belt Guard Components .....	54
Door Assemblies.....	56
Door Components.....	58
Hinge Components - Design 3 Models .....	60
Hinge Components - Design 5 Models .....	62
Cylinder and Trunnion Components .....	64
Bearing Components .....	66
Moisture Sensing Components.....	68
Drive Motor Components .....	70
Blower and Exhaust Components.....	72
Airflow Switch Assembly .....	74
Gas Heater Components .....	76
Burner Orifices .....	78
Electric Heater Components.....	80

© Copyright 2021, Alliance Laundry Systems LLC

All rights reserved. No part of the contents of this book may be reproduced or transmitted in any form or by any means without the expressed written consent of the publisher.

Steam Heater and Valve .....	82
Control Tray .....	84
Accessory Box - Electric 200-240 Volt Models .....	86
Accessory Box - Electric 380-480 Volt Models .....	88
Harnesses .....	90
Labels .....	91
Parts Index .....	93

## Parts Ordering Information

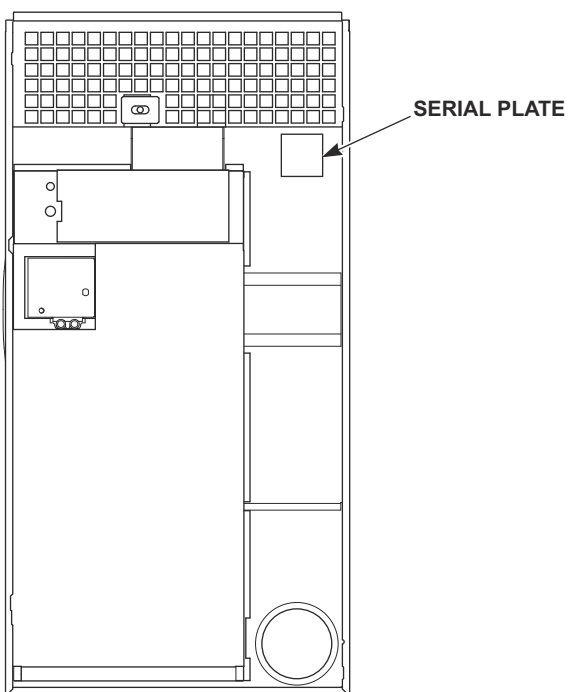
If literature or replacement parts are required, contact the source from whom the machine was purchased or contact Alliance Laundry Systems at (920) 748-3950 for the name and address of the nearest authorized parts distributor.

For technical assistance, call the number listed below:

(920) 748-3121 Ripon, Wisconsin

## Serial Plate Location

When calling or writing about your product, be sure to mention model and serial numbers. Model and serial numbers are located on serial plate(s) as shown.



TMB2622N\_70591901

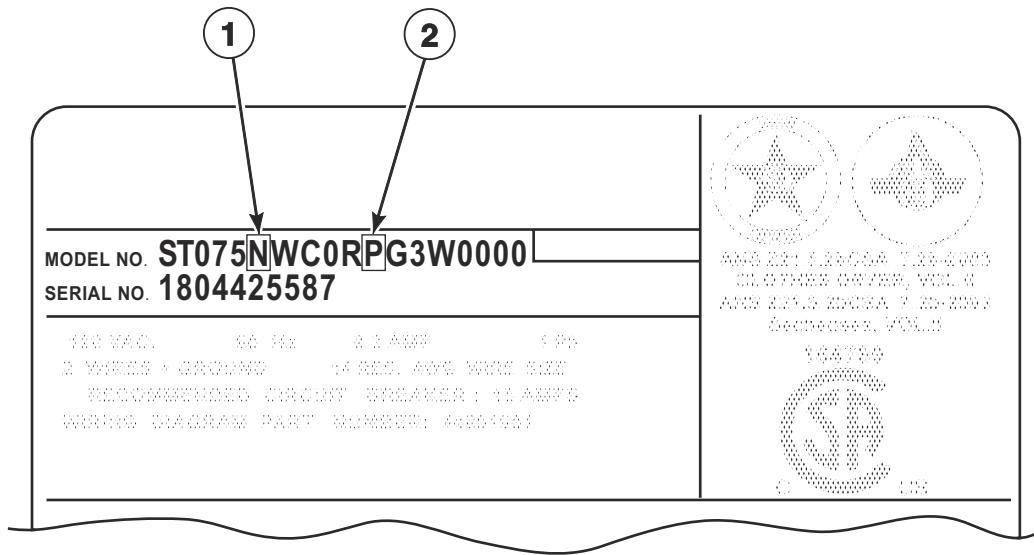


# Machine Identification

Information in this manual is applicable to these machines:

BA075E	HA075N	PA075E	SG075N	UG075E
BA075F	HA075R	PA075L	SG075R	UG075F
BA075L	HA075S	PA075M	SG075S	UG075L
BA075M	HG075D	PA075N	SH075E	UG075M
BA075N	HG075E	PA075S	SH075F	UG075N
BA075R	HG075F	PG075E	SH075L	UG075R
BA075S	HG075L	PG075L	SH075M	UG075S
BG075D	HG075M	PG075M	SH075N	UGF75L
BG075E	HG075N	PG075N	SH075R	UGF75N
BG075F	HG075R	PG075S	SH075S	UH075E
BG075L	HG075S	PH075E	SJ075D	UH075F
BG075M	HH075E	PH075L	SJ075E	UH075L
BG075N	HH075F	PH075M	SJ075F	UH075M
BG075R	HH075L	PH075N	SJ075L	UH075N
BG075S	HH075M	PH075S	SJ075M	UH075R
BH075E	HH075N	PJ075E	SJ075N	UH075S
BH075F	HH075R	PJ075L	SJ075R	UJ075D
BH075L	HH075S	PJ075M	SJ075S	UJ075E
BH075M	HJ075D	PJ075N	SK075E	UJ075F
BH075N	HJ075E	PJ075S	SK075F	UJ075L
BH075R	HJ075F	PK075E	SK075L	UJ075M
BH075S	HJ075L	PK075L	SK075N	UJ075N
BJ075D	HJ075M	PK075N	SK075R	UJ075R
BJ075E	HJ075N	PR075E	SR075E	UJ075S
BJ075F	HJ075R	PR075S	SR075S	UK075E
BJ075L	HJ075S	PT075C	ST075C	UK075F
BJ075M	HK075E	PT075E	ST075E	UK075L
BJ075N	HK075F	PT075L	ST075F	UK075N
BJ075R	HK075L	PT075M	ST075L	UK075R
BJ075S	HK075N	PT075N	ST075M	UR075E
BK075E	HK075R	PT075S	ST075N	UR075S
BK075F	HR075E	PU075E	ST075R	UT075C
BK075L	HR075S	PU075L	ST075S	UT075E
BK075N	HT075C	PU075M	SU075E	UT075F
BK075R	HT075E	PU075N	SU075F	UT075L
BR075E	HT075F	PU075S	SU075L	UT075M
BR075S	HT075L	SA075E	SU075M	UT075N
BU075E	HT075M	SA075F	SU075N	UT075R
BU075F	HT075N	SA075L	SU075R	UT075S
BU075L	HT075R	SA075M	SU075S	UTF75L
BU075M	HT075S	SA075N	UA075E	UTF75N
BU075N	HU075E	SA075R	UA075F	UU075E
BU075R	HU075F	SA075S	UA075L	UU075F
BU075S	HU075L	SG075D	UA075M	UU075L
HA075E	HU075M	SG075E	UA075N	UU075M
HA075F	HU075N	SG075F	UA075R	UU075N
HA075L	HU075R	SG075L	UA075S	UU075R
HA075M	HU075S	SG075M	UG075D	UU075S

# Product Overview - Heat Source and Voltage



TMB3595P\_70591901

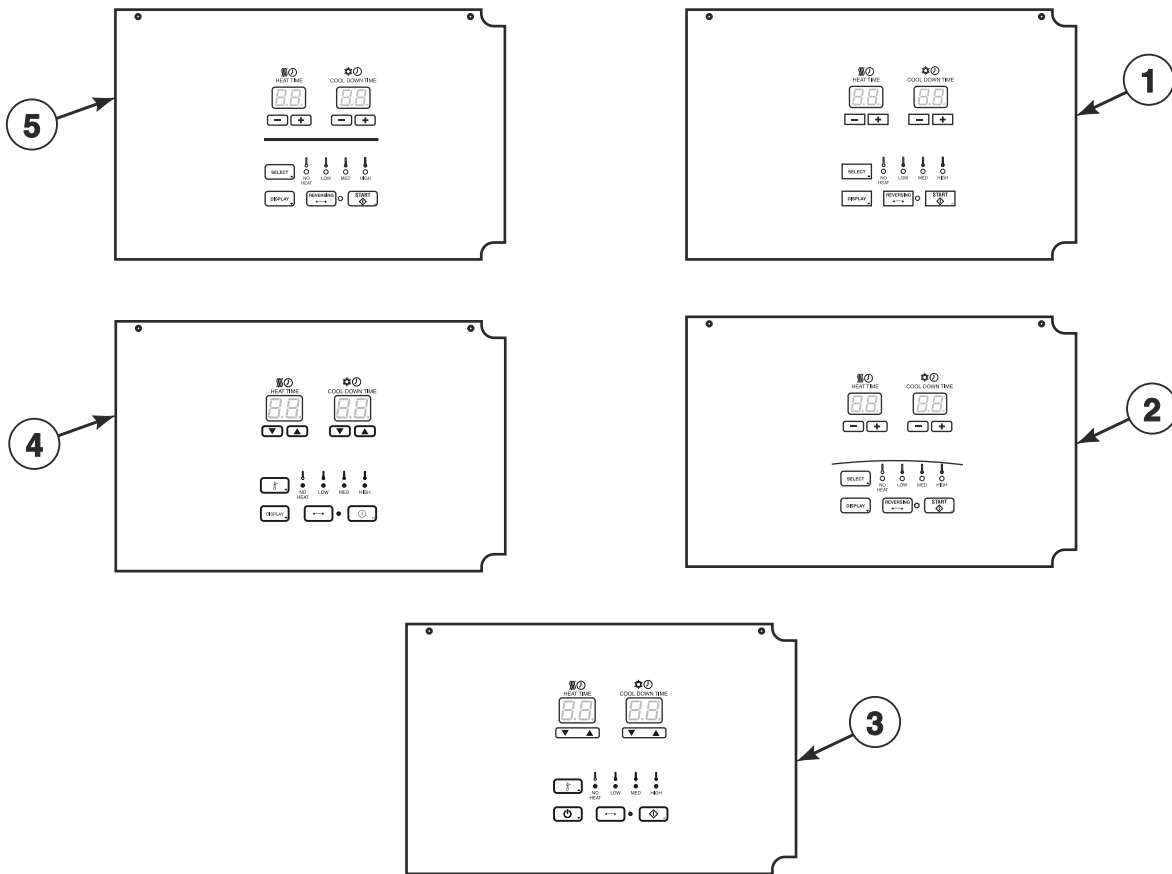
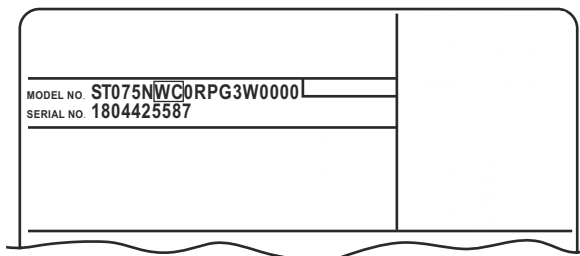


## Product Overview - Heat Source and Voltage

REF	PART NO.	DESCRIPTION	COMMENTS
1	-	Heat Source	C: Steam (CRN) D: Liquid Petroleum Gas (L.P.) E: Electric F: Reduced Electric (Eco Line) L: Liquid Petroleum Gas (L.P.) M: Medium Electric N: Natural Gas (N.G.) R: Reduced Gas, Natural Gas (Eco Line) S: Steam
2	-	Voltage	B: 100-120 Volt/50-60 Hertz/1 Phase; Gas and steam models F: 200-208 Volt/50-60 Hertz/3 Phase; Electric models G: 230-240 Volt/50-60 Hertz/3 Phase; Electric models H: 380 Volt/50-60 Hertz/3 Phase; Electric models J: 400-415 Volt/50-60 Hertz/3 Phase; Electric models K: 440 Volt/50-60 Hertz/3 Phase; Electric models L: 460-480 Volt/50-60 Hertz/3 Phase; Electric models N: 440-480 Volt/50-60 Hertz/3 Phase; Gas and steam models P: 380-415 Volt/50-60 Hertz/3 Phase; Gas and steam models Q: 200-240 Volt/50-60 Hertz/3Phase; Gas and steam models X: 200-240 Volt/50-60 Hertz/1-3 Phase; Gas and steam models

# Product Overview - FN Control Suffix

OPL



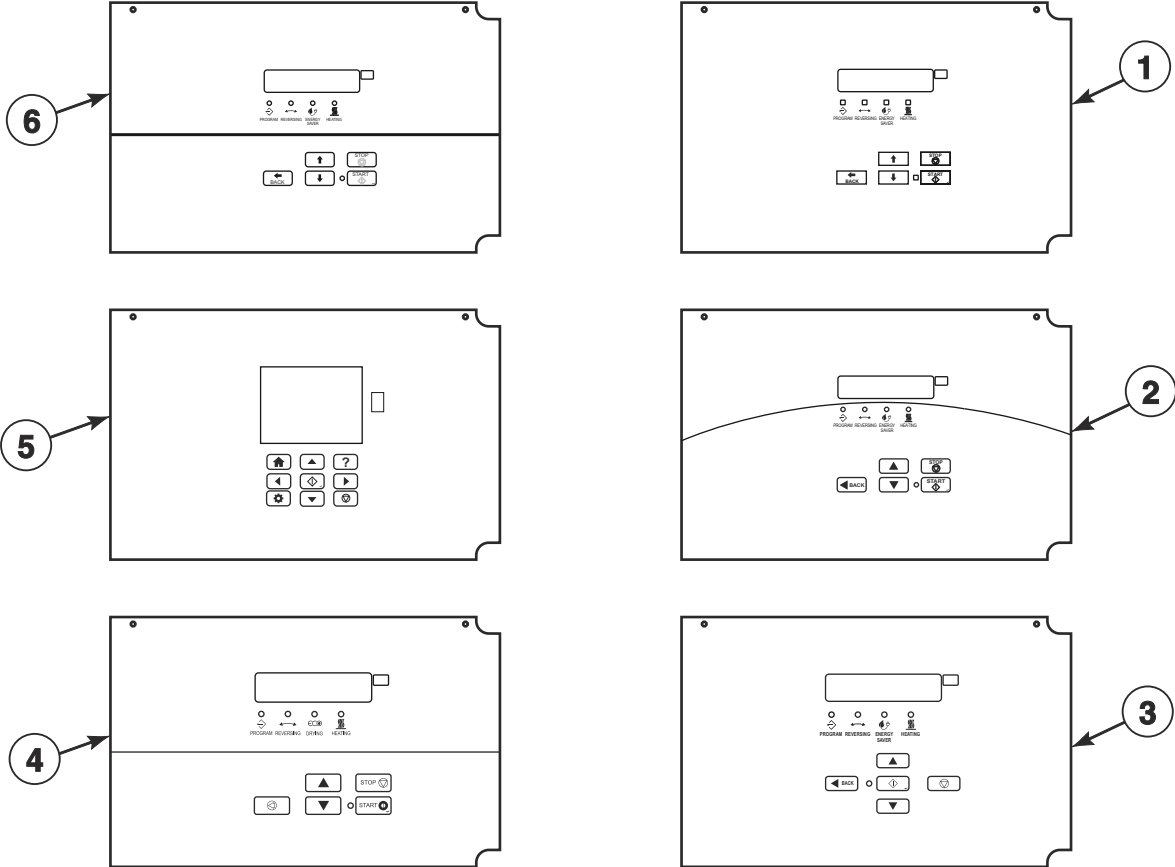
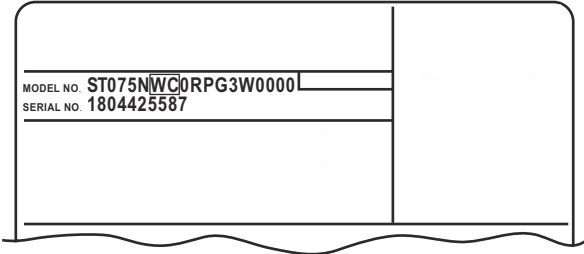
TMB3596P\_70591901

## Product Overview - FN Control Suffix

REF	PART NO.	DESCRIPTION	COMMENTS
1	-	Dual Digital Control	H models
2	-	Dual Digital Control	U models
3	-	Dual Digital Control	B models
4	-	Dual Digital Control	P models
5	-	Dual Digital Control	S models

# Product Overview - DN and NN Control Suffixes

OPL



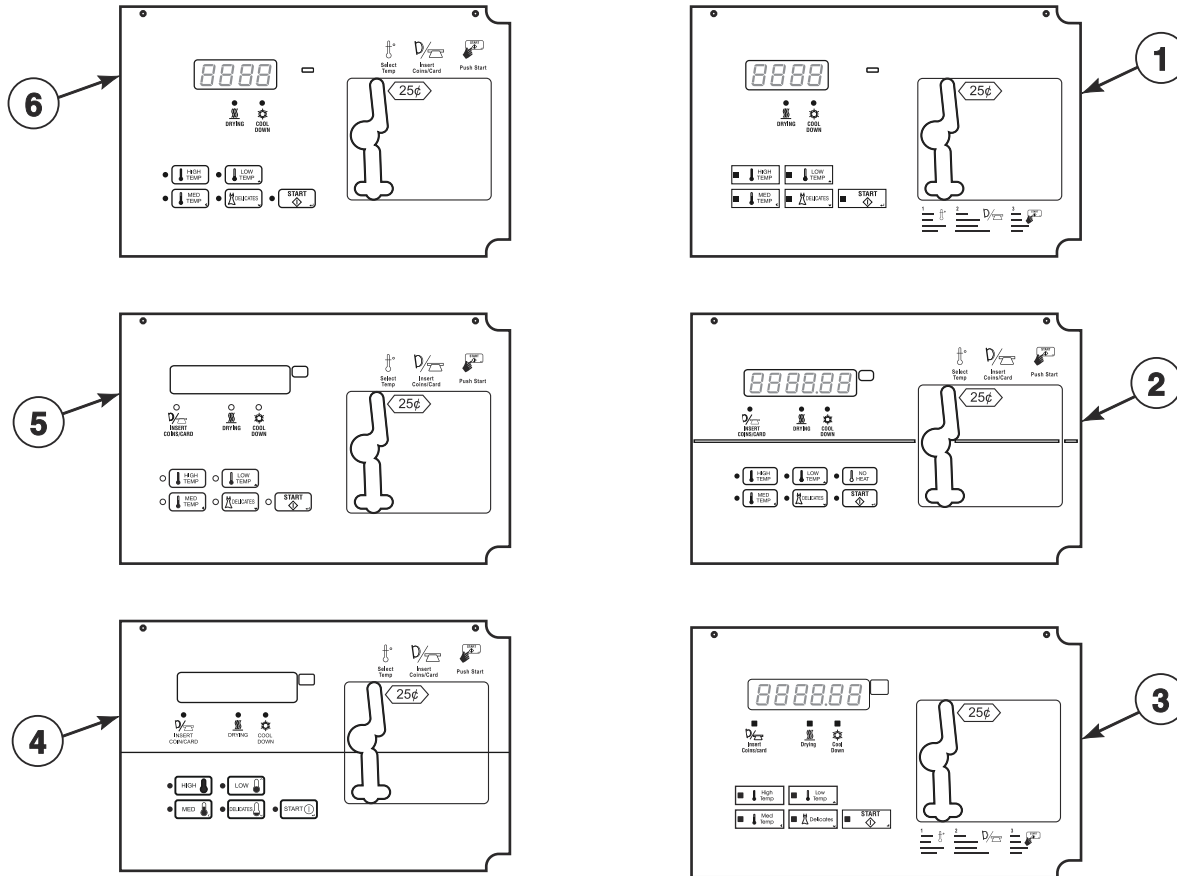
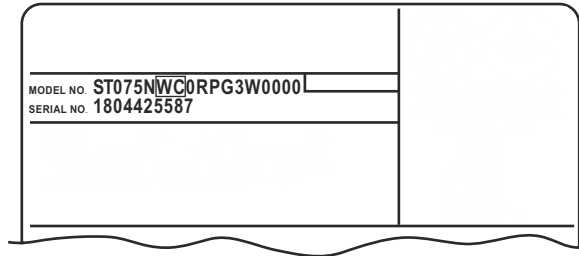
TMB3597P\_70591901

## Product Overview - DN and NN Control Suffixes

REF	PART NO.	DESCRIPTION	COMMENTS
1	-	Galaxy Control	H models
2	-	M-Series Control	U models
3	-	OPTimum Control	B models
4	-	OPL Micro Control	P models
5	-	UniLinc Control	U models
6	-	Quantum Gold Control	S models

# Product Overview - B, N and W Control Suffixes

7th Position of the Model Number; Vend

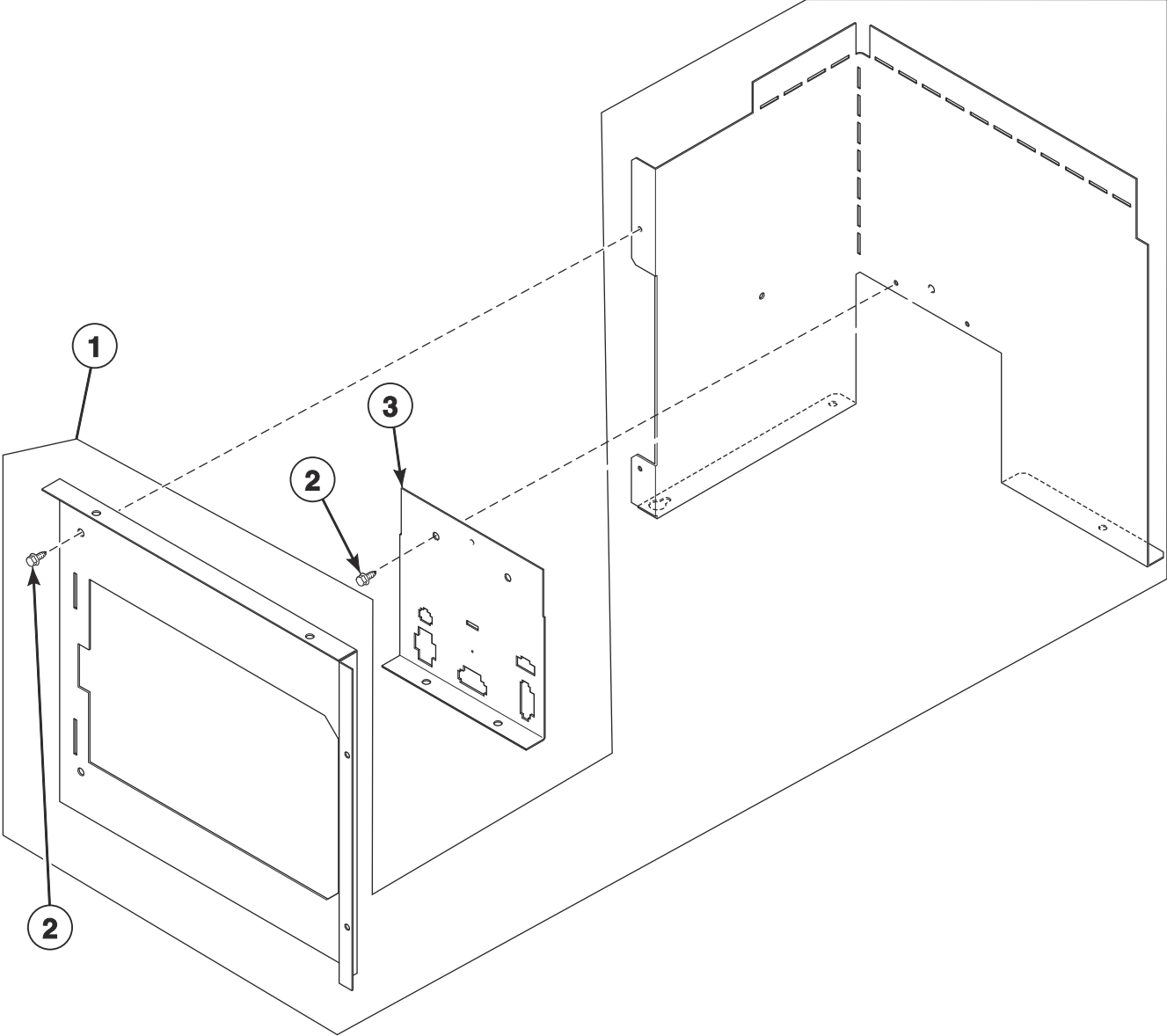


TMB3598P\_70591901

## Product Overview - B, N and W Control Suffixes

REF	PART NO.	DESCRIPTION	COMMENTS
1	-	Basic Electronic Control	H models
2	-	Quantum Gold Control	S models
3	-	Galaxy 600	H models
4	-	XQ Control	P models
5	-	EVO7S Control	B models
6	-	MDC II Control	S models

# Control Box



TMB3524P\_70591901

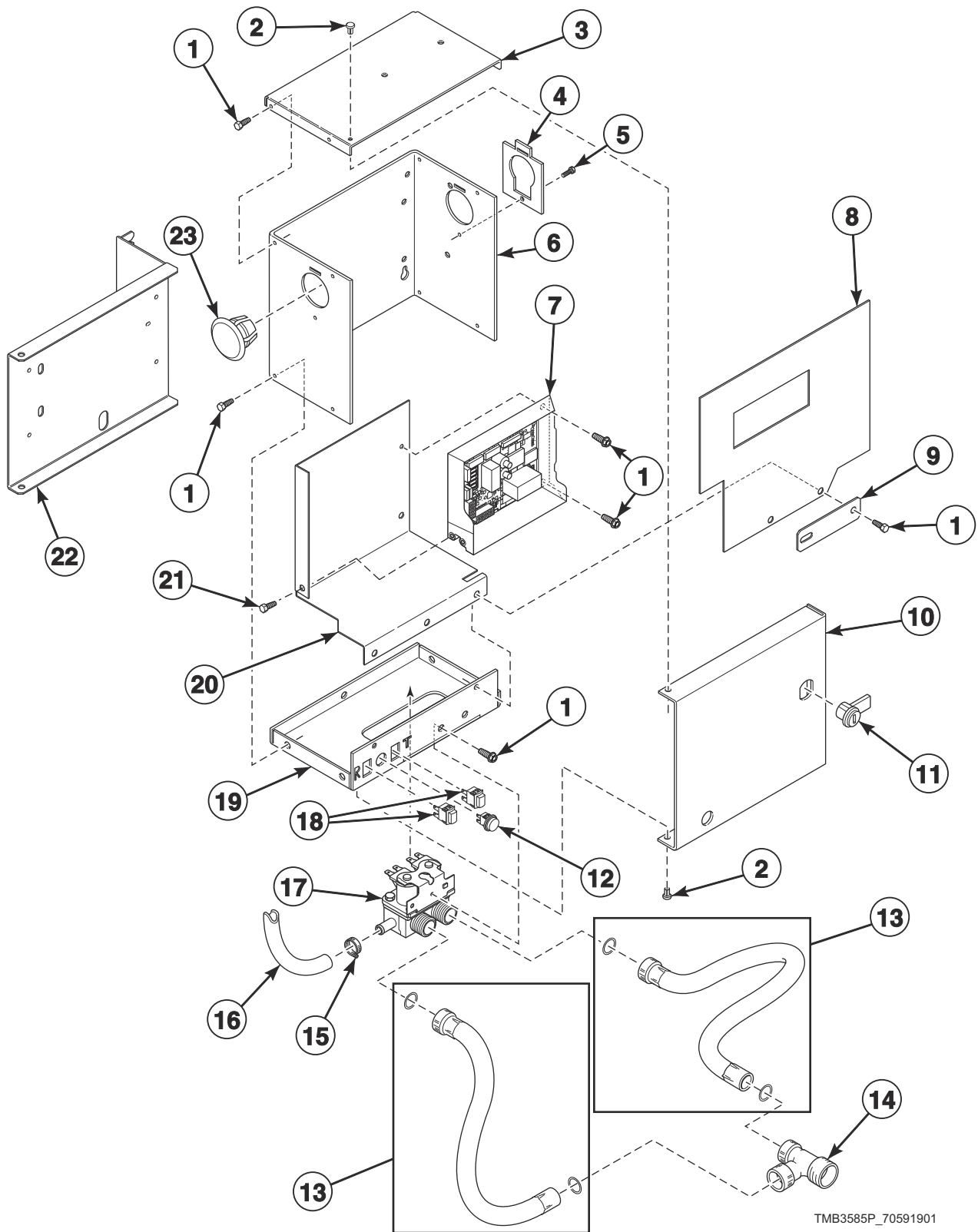


# Control Box

REF	PART NO.	DESCRIPTION	COMMENTS
	44334201	Main Harness	
1	44180101	Control Box Assembly	
2	430497	Screw	
3	70307007	Harness Mounting Plate	

# Fire Suppression System Control Box

Gas and Steam Models



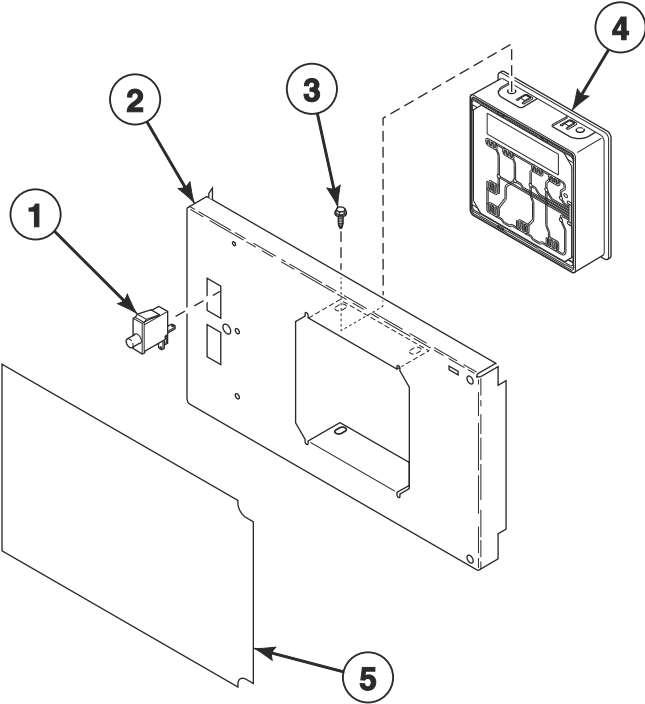
TMB3585P\_70591901

# Fire Suppression System Control Box

REF	PART NO.	DESCRIPTION	COMMENTS
	44340301	Cold Weather Kit	
	70155601	Key	RL001; Use with item 11
	44334404	Control Harness	
	44334405	Water Valve Harness	
	44334402	Power Sensor Harness	
	44334406	Sensor Harness	
	44334401	Interconnect Harness	
	44324501	Warning Label	F.S.S.; CSA models
	44324500	Label Kit	F.S.S.; IEC models
	F8614401	Shock Warning Label	CSA models
	F8614201	Shock Warning Label	IEC models
	44318200	Label Kit	IEC models
	44324502	Warning Label	
	44318201	Label	CSA models
<b>1</b>	430497	Screw	
<b>2</b>	M400713	Drive Rivet	
<b>3</b>	44307101	Control Box Top	
<b>4</b>	70523301	Harness Adapter Plate	
<b>5</b>	51780	Screw	
<b>6</b>	44306701	Control Box Housing	
<b>7</b>	70511601	Control	
<b>8</b>	44326801	Shield	
<b>9</b>	70551701	Filter Mounting Plate	
<b>10</b>	44065201	Control Box Cover	
<b>11</b>	44089301P	Lock, Key and Nut Kit	RL001 key code; Optional if same key is to be used for control lock
<b>12</b>	801432	Light	
<b>13</b>	202799	Fill Hose	2 required
<b>14</b>	44069101	Hose Fitting	CSA models
<b>15</b>	36801	Hose Clamp	
<b>16</b>	44073304	Hose	14 inches; Outlet hose
<b>17</b>	70519801	Mixing Valve	
<b>18</b>	801434W	Push-to-Start Switch	2 required
<b>19</b>	44065301	Control Box Base	
<b>20</b>	44306601	Mixing Valve Shield Bracket	
<b>21</b>	804608	Screw	
<b>22</b>	44308701	Mount Bracket	
<b>23</b>	70180001	Plug	

# Dual Digital Control

Models with F in the 7th Position



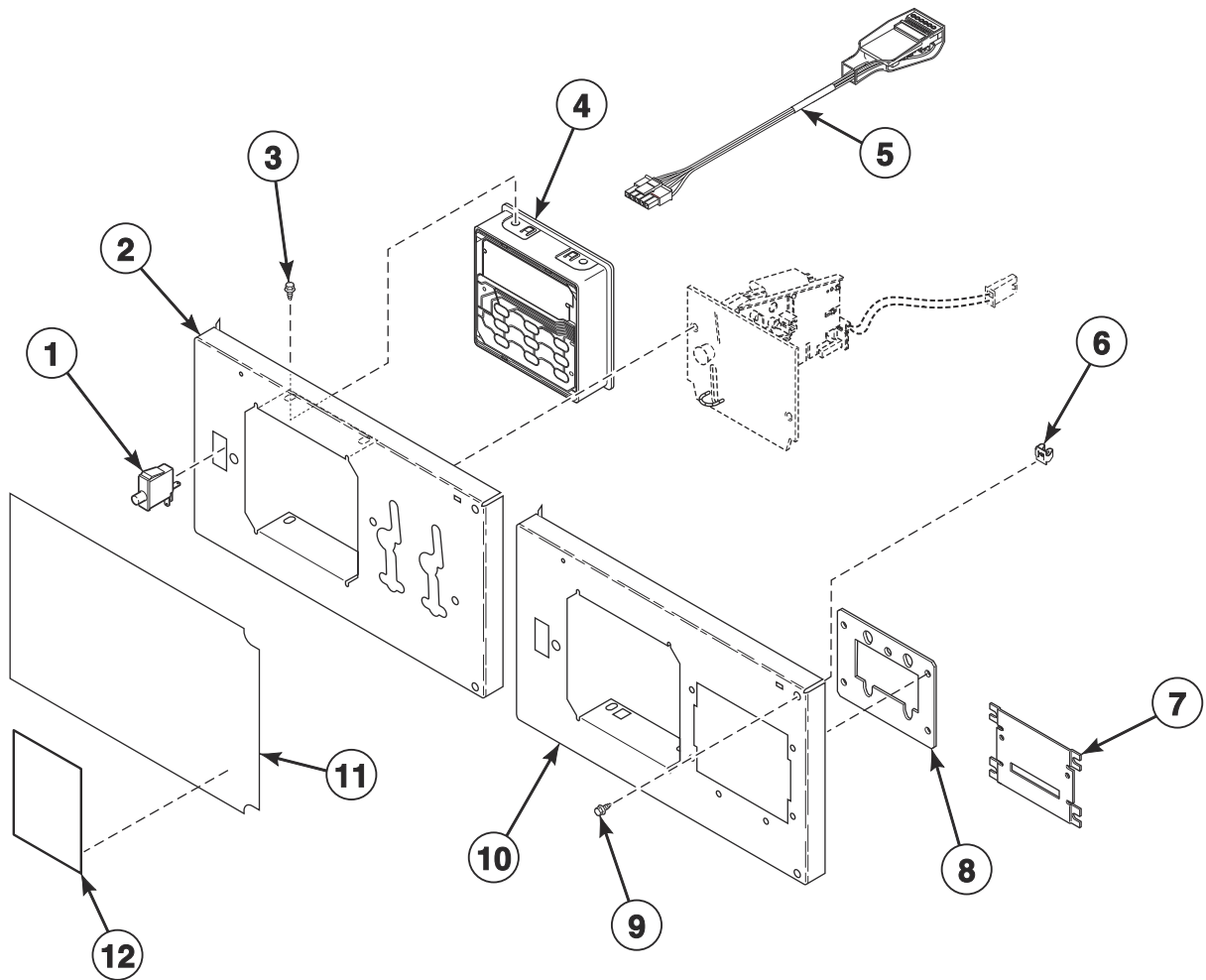
TMB3505P\_70591901

# Dual Digital Control

REF	PART NO.	DESCRIPTION	COMMENTS
	44334004	Vend Activation Harness	
1	70413301	Pushbutton Switch	
2	70497101	Control Plate	Design 3 and 5 H and U models; Design 3 S models; All other models
3	804608	Screw	4 required
4	70523101	Control Assembly	P models; Blue
	70479801	Control Assembly	H, S and U models; Green
	70479901	Control Assembly	B models; Red
5	70539102	Overlay	B models; Nonreversing
	70539101	Overlay	B models; Reversing
	70517802	Overlay	H models; Nonreversing; Design 3
	70517801	Overlay	H models; Reversing; Design 3
	70636502	Overlay	H models; Nonreversing; Design 5
	70636501	Overlay	H models; Reversing; Design 5
	70545502	Overlay	P models; Nonreversing
	70545501	Overlay	P models; Reversing
	70516802	Overlay	S models; Nonreversing; Design 3
	70516801	Overlay	S models; Reversing; Design 3
	70638702	Overlay	S models; Nonreversing; Design 5
	70638701	Overlay	S models; Reversing; Design 5
	70519002	Overlay	U models; Nonreversing; Design 3
	70519001	Overlay	U models; Reversing; Design 3
	70638802	Overlay	U models; Nonreversing; Design 5
	70638801	Overlay	U models; Reversing; Design 5

# Electronic Display Control - Vend Models with B in the 7th Position

H and S Models



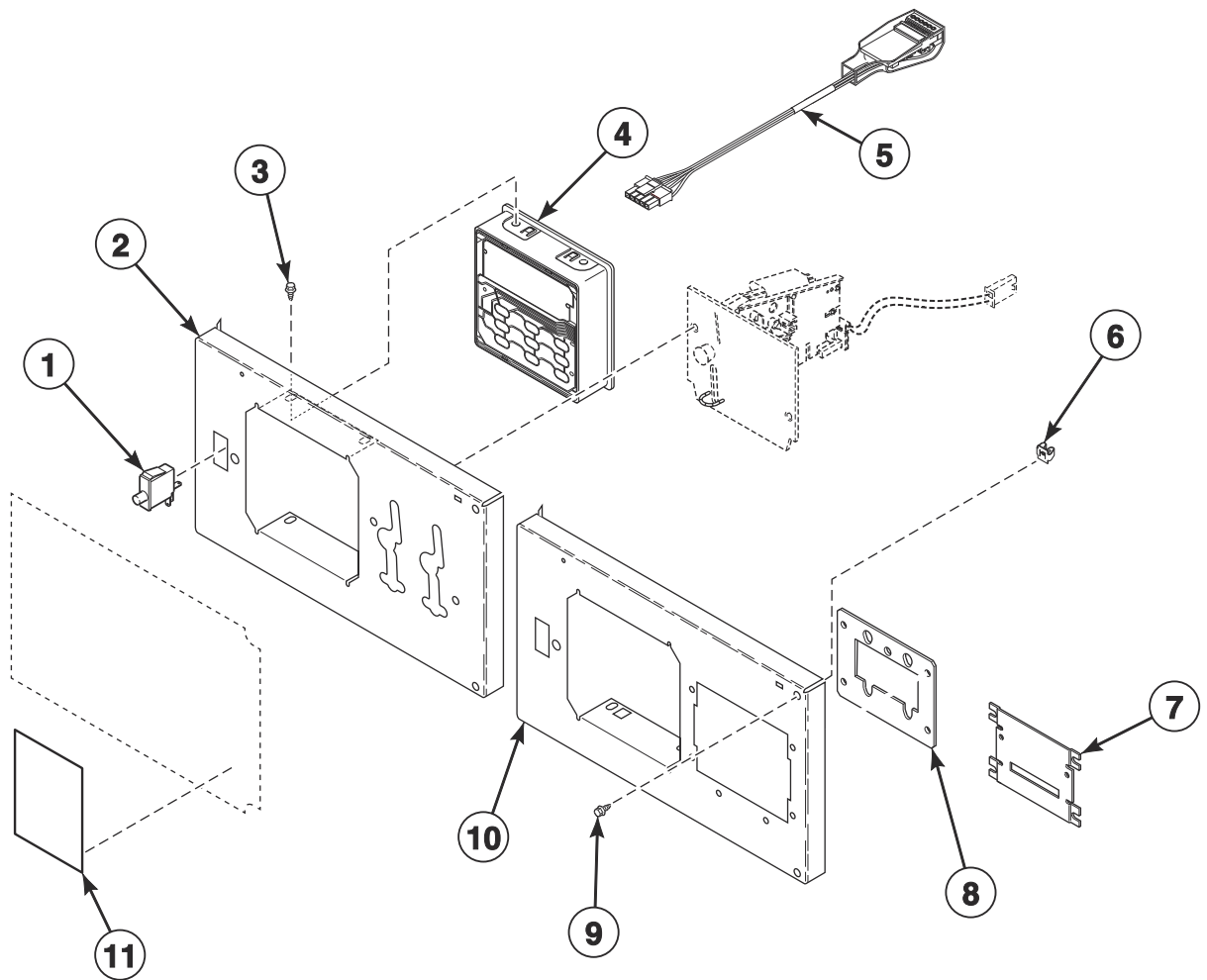
TMB3678P\_70591901

# Electronic Display Control - Vend Models with B in the 7th Position

REF	PART NO.	DESCRIPTION	COMMENTS
	44334004	Vend Activation Harness	
	44342801	Central Pay Harness	Models through November 2018
<b>1</b>	70413301	Pushbutton Switch	
<b>2</b>	70496601	Control Plate and Studs Assembly	Coin and central pay; Design 3 and 5 H models; Design 3 S models
<b>3</b>	804608	Screw	4 required
<b>4</b>	70478801P	Control Assembly	
<b>5</b>	203361P	Machine ID Control Assembly	Model or serial number is required when ordering
<b>6</b>	70030501	Expansion Clip	2 required
<b>7</b>	44089501	Slot Card Plate Assembly	Included in literature packet
<b>8</b>	70208801	Mounting Plate	
<b>9</b>	M411072	Screw	2 required
<b>10</b>	70497201	Control Plate Assembly	Card and card ready; Design 3 and 5 H models; Design 3 S models
<b>11</b>	70544701	Overlay	S models; Single drop; Design 3
	70544702	Overlay	S models; Dual drop; Design 3
	70544703	Overlay	S models; Card ready; Design 3
	70638201	Overlay	S models; Single drop; Design 5
	70638202	Overlay	S models; Dual drop; Design 5
	70638203	Overlay	S models; Card ready; Design 5
	70570301	Overlay	H models; Single drop; Design 3
	70570302	Overlay	H models; Dual drop; Design 3
	70570303	Overlay	H models; Card ready; Design 3
	70636101	Overlay	H models; Single drop; Design 5
	70636102	Overlay	H models; Dual drop; Design 5
	70636103	Overlay	H models; Card ready; Design 5
	<b>12</b>	F8205101	Overlay
F8696101		Overlay	Black; Single drop; Left; Design 5
70557001		Overlay	S models; Prep for card; Design 3
70557002		Overlay	S models; Central pay; Design 3
F8696301		Overlay	S models; Prep for card; Design 5
F8696302		Overlay	S models; Central pay; Design 5
70556501		Overlay	H models; Prep for card; Design 3
70556502		Overlay	H models; Central pay; Design 3
70646001		Overlay	H models; Prep for card; Design 5
70646002		Overlay	H models; Central pay; Design 5

# Electronic Display Control - Vend Models with N or W in the 7th Position

B, H, P and S Models



TMB3679P\_70591901

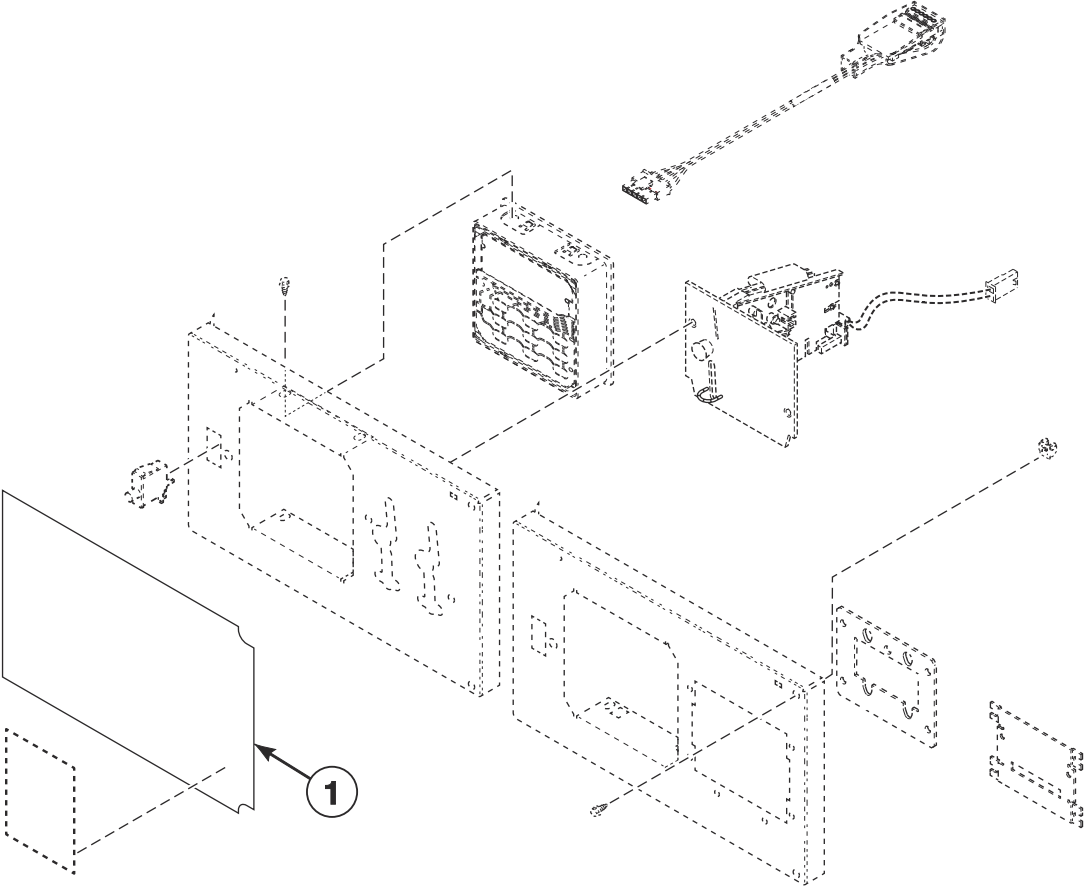


## Electronic Display Control - Vend Models with N or W in the 7th Position

REF	PART NO.	DESCRIPTION	COMMENTS
	44334004	Vend Activation Harness	
1	70413301	Pushbutton Switch	
2	70496601	Control Plate and Studs Assembly	Coin and central pay; Design 3 and 5 H models; Design 3 S models; All other models
3	804608	Screw	4 required
4	70523001	Control Assembly	P models; Blue
	70478801P	Control Assembly	H and S models; Green
	70478901	Control Assembly	B models; Red
5	203361P	Machine ID Control Assembly	Model or serial number is required when ordering
6	70030501	Expansion Clip	
7	44089501	Slot Card Plate Assembly	
8	70208801	Mounting Plate	
9	M411072	Screw	
10	70497201	Control Plate Assembly	Card and card ready; Design 3 and 5 H models; Design 3 S models; All other models
11	F8205101	Overlay	S models; Single drop; Left; Design 3
	70557001	Overlay	B models; Design 3 S models; Prep for card
	70557002	Overlay	B models; Design 3 S models; Central pay
	70295101	Overlay	S models; World drop; Design 3
	F8696101	Overlay	S models; Single drop; Left; Design 5
	F8696301	Overlay	S models; Prep for card; Design 5
	F8696302	Overlay	S models; Central pay; Design 5
	F8696201	Overlay	S models; World drop; Design 5
	70556801	Overlay	H models; World drop; Design 3
	70556501	Overlay	H models; Prep for card; Design 3
	70556502	Overlay	H models; Central pay; Design 3
	70556601	Overlay	H models; Single drop; Left; Design 3
	70556901	Overlay	H models; Citron; World drop; Design 3
	70518101	Overlay	H models; Citron; Prep for card; Design 3
	70518102	Overlay	H models; Citron; Central pay; Design 3
	70556701	Overlay	H models; Citron; Left; Design 3
	70645901	Overlay	H models; World drop; Design 5
	70646001	Overlay	H models; Prep for card; Design 5
	70646002	Overlay	H models; Central pay; Design 5
	70645601	Overlay	H models; Single drop; Left; Design 5
	70645801	Overlay	H models; Citron; World drop; Design 5
	70646101	Overlay	H models; Citron; Prep for card; Design 5
	70645701	Overlay	H models; Citron; Single drop; Left; Design 5
	70646102	Overlay	H models; Citron; Central pay; Design 5
	70556201	Overlay	P models; Single drop; Right
	70556401	Overlay	P models; Prep for card
	70556402	Overlay	P models; Central pay
	70556301	Overlay	P models; Single drop; Left

# Electronic Display Control Overlays- Vend Models with N or W in the 7th Position

B, H, P and S Models

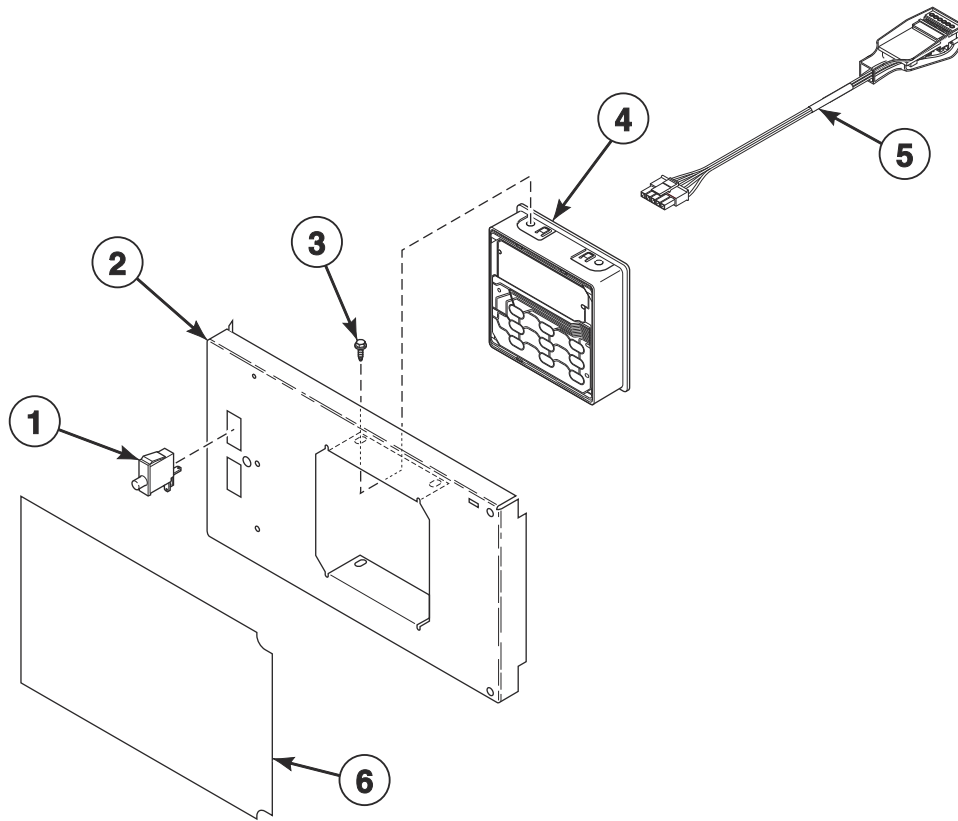


TMB3679PA\_70591901

## Electronic Display Control Overlays- Vend Models with N or W in the 7th Position

REF	PART NO.	DESCRIPTION	COMMENTS
1	70512004	Overlay	S models; Single drop; Design 3
	70512005	Overlay	S models; Dual drop; Design 3
	70512006	Overlay	S models; Card ready; Design 3
	70512007	Overlay	S models; Central pay; Design 3
	70512008	Overlay	S models; World drop; Design 3
	70637601	Overlay	S models; Single drop; Design 5
	70637602	Overlay	S models; Dual drop; Design 5
	70637603	Overlay	S models; Card ready; Design 5
	70637604	Overlay	S models; Central pay; Design 5
	70637605	Overlay	S models; World drop; Design 5
	70626301	Overlay	S models; Single drop; English/Spanish; Design 3
	70626302	Overlay	S models; Dual drop; English/Spanish; Design 3
	70626303	Overlay	S models; Card ready; English/Spanish; Design 3
	70559001	Overlay	Models SG075D and SJ075D
	70517001	Overlay	H models; Single drop; Design 3
	70517002	Overlay	H models; Dual drop; Design 3
	70517003	Overlay	H models; Card ready; Design 3
	70517004	Overlay	H models; Central pay; Design 3
	70517005	Overlay	H models; World drop; Design 3
	70636201	Overlay	H models; Single drop; Design 5
	70636202	Overlay	H models; Dual drop; Design 5
	70636203	Overlay	H models; Card ready; Design 5
	70636204	Overlay	H models; Central pay; Design 5
	70636205	Overlay	H models; World drop; Design 5
	70571001	Overlay	H models; Single drop; Cityscape
	70571002	Overlay	H models; Dual drop; Cityscape
	70571003	Overlay	H models; Card ready; Cityscape
	70518201	Overlay	H models; Single drop; Citron; Design 3
	70518202	Overlay	H models; Dual drop; Citron; Design 3
	70518203	Overlay	H models; Card ready; Citron; Design 3
	70636301	Overlay	H models; Single drop; Citron; Design 5
	70636302	Overlay	H models; Dual drop; Citron; Design 5
	70636303	Overlay	H models; Card ready; Citron; Design 5
	70571101	Overlay	B models; Single drop
	70571102	Overlay	B models; Dual drop
	70571103	Overlay	B models; Card ready
	70541201	Overlay	P models; Single drop
	70541202	Overlay	P models; Dual drop
	70541203	Overlay	P models; Card ready

# Electronic Display Control - OPL Models with N in the 7th Position



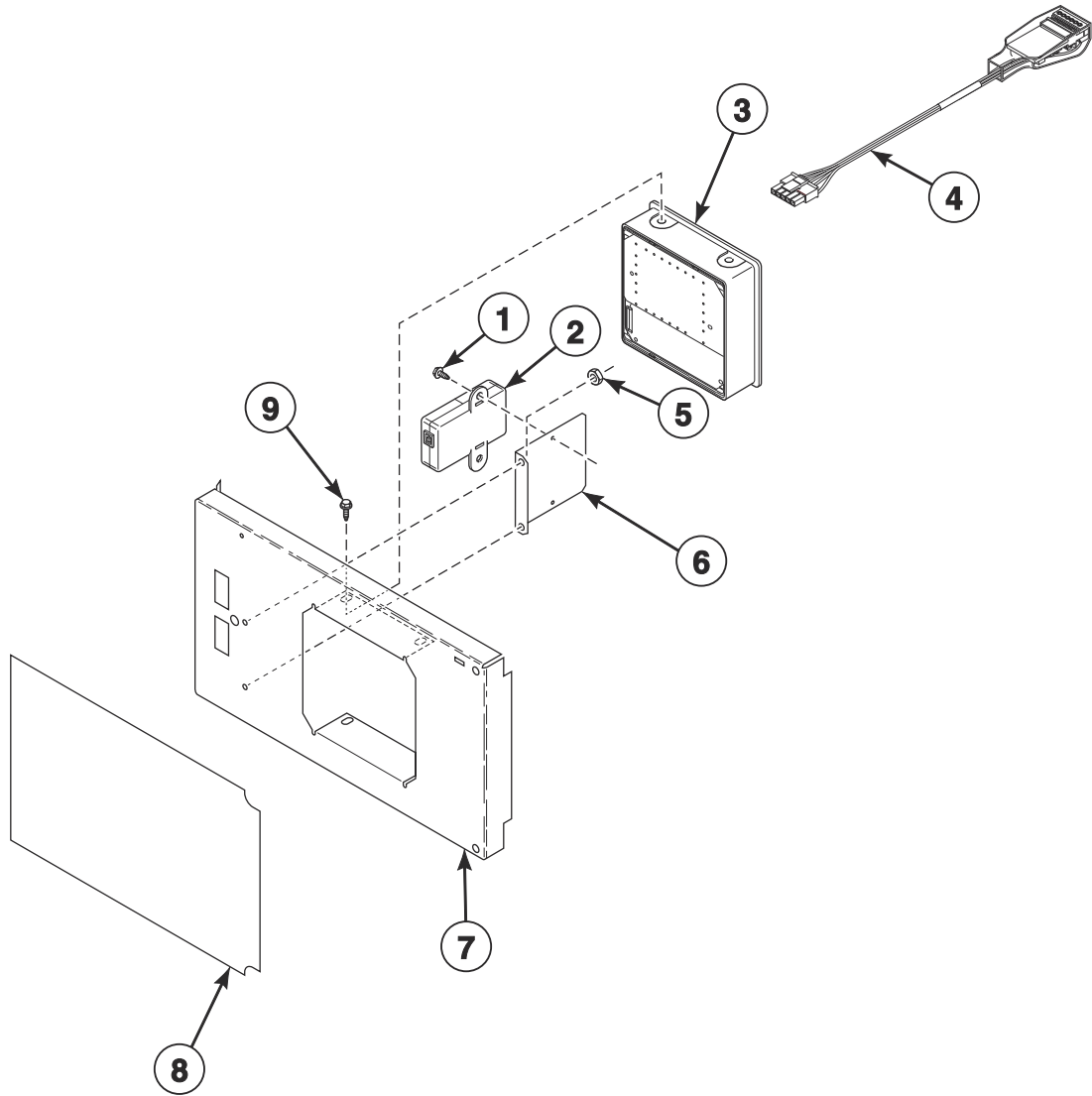
TMB3680P\_70591901

# Electronic Display Control - OPL Models with N in the 7th Position

REF	PART NO.	DESCRIPTION	COMMENTS
	44334004	Vend Activation Harness	
1	70413301	Pushbutton Switch	
2	70497101	Control Plate	Design 3 and 5 H and U models; Design 3 S models; All other models
3	804608	Screw	4 required
4	70523002	Control Assembly	P models
	70478802	Control Assembly	H, S and U models
	70478902	Control Assembly	B models
5	203361P	Machine ID Control Assembly	Model or serial number is required when ordering
6	70570601	Overlay	S models; Reversing; Design 3
	70570602	Overlay	S models; Nonreversing; Design 3
	70638301	Overlay	S models; Reversing; Design 5
	70638302	Overlay	S models; Nonreversing; Design 5
	70571401	Overlay	U models; Reversing; Design 3
	70571402	Overlay	U models; Nonreversing; Design 3
	70638901	Overlay	U models; Reversing; Design 5
	70638902	Overlay	U models; Nonreversing; Design 5
	70570801	Overlay	H models; Reversing; Design 3
	70570802	Overlay	H models; Nonreversing; Design 3
	70636401	Overlay	H models; Reversing; Design 5
	70636402	Overlay	H models; Nonreversing; Design 5
	70548801	Overlay	B models; Reversing
	70548802	Overlay	B models; Nonreversing
	70571601	Overlay	P models; Reversing
	70571602	Overlay	P models; Nonreversing

# 3.5 Inch Graphical Control

U models with D in the 7th Position



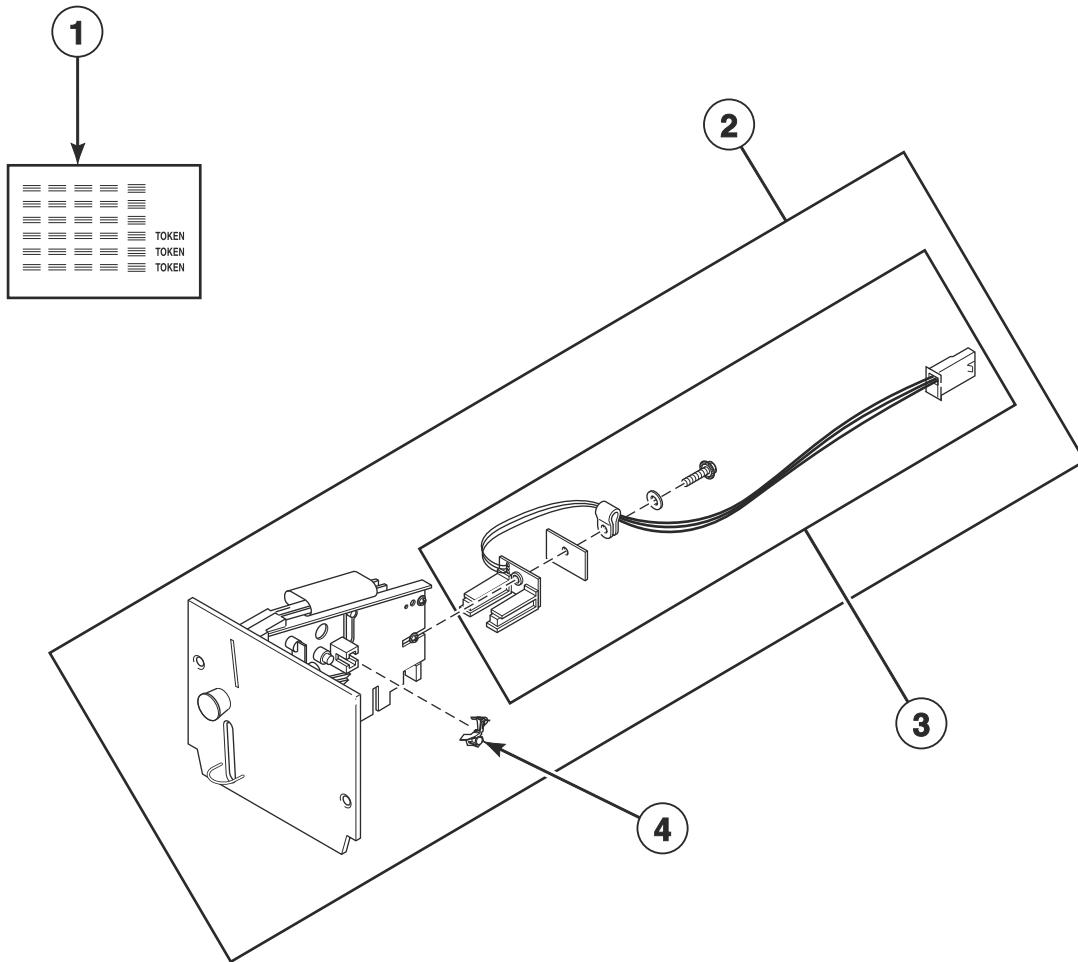
TMB3681P\_70591901

### 3.5 Inch Graphical Control

REF	PART NO.	DESCRIPTION	COMMENTS
	F8617901	Harness	USB
1	33562	Screw	2 required
2	203440	USB-Serial Interface Assembly	
3	70543104	Control Assembly	
4	203361P	Machine ID Control Assembly	Model or serial number is required when ordering
5	44071201	Nut	2 required
6	70547001	USB Bracket	
7	70570201	Control Door and Studs Assembly	
8	70595401	Overlay	Design 3 models
	70639001	Overlay	Design 5 models
9	804608	Screw	4 required

# Coin Drops

All Models Except U Models



TMB3510P\_70591901

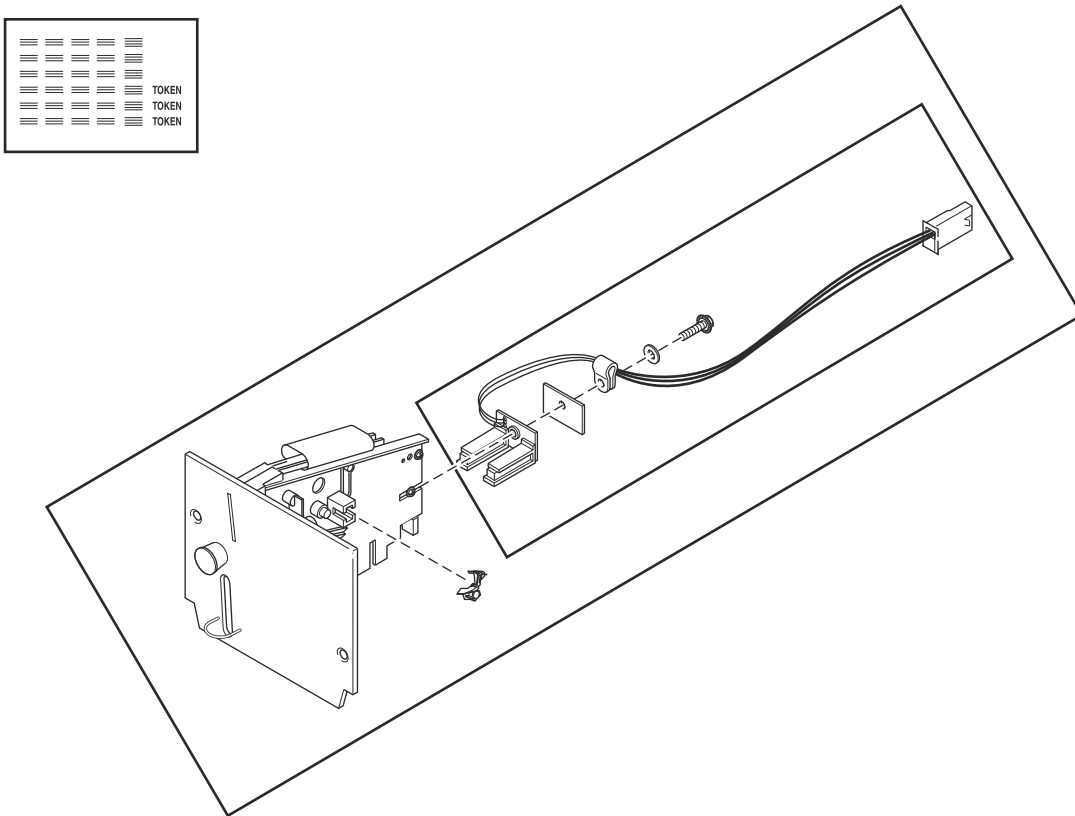


# Coin Drops

REF	PART NO.	DESCRIPTION	COMMENTS
1	38725	Coin Identification Paper	
2	70441601P	Coin Drop	Single; U.S.A.; \$.25
	38475	Coin Drop Assembly	Single; Japan; 100 yen
	38464P	Coin Drop Assembly	Single; Canada; .25
	CK077	Coin Drop Kit	Single; Taiwan; 10 NT
	70506901	Coin Drop Assembly	Single; Singapore; \$1.00 NEW
	70441603	Coin Drop	Dual; U.S.A.; \$.25 and \$1.00
	38519	Coin Drop Assembly	Dual; Japan; 100 yen and 500 yen
	70441602	Coin Drop Assembly	Dual; Canada; .25 and 1.00
	38467	Coin Drop Assembly	Dual; Australia; \$0.20 and \$1.00
	70447301	Coin Drop Assembly	Dual; Australia; \$1.00 and \$2.00
	70283102	Coin Drop Assembly	Dual; 0.20 and 0.50 Euro
	210195	Coin Drop Assembly	Dual; 0.20 and 1.00 Euro
	210196	Coin Drop Assembly	Dual; 0.50 and 1.00 Euro
	F0160737-00	Coin Meter	Dual; 0.50 and 2.00 Euro
	70281102	Coin Drop Assembly	Dual; Taiwan; 10 and 50 NT
	70482401	Coin Drop Assembly	Dual; New Zealand ; \$1.00 and \$2.00
	38462P	Coin Drop Assembly	Single; Token; STD 118-1
	38463	Coin Drop Assembly	Single; Token; STD 118-5
	38963P	Coin Drop	Single; Token STD 118-16
	39748	Coin Drop	Single; Jeton 08MS
	201141	Coin Drop Assembly	Single; Token; Jeton wh121
	70471601	Coin Drop Assembly	Single; Token; 7K
	70513302	Electronic Coin Drop Assembly	Euro and Great Britain coins
	70513310	Electronic Coin Drop Assembly	Japan and Thailand coins
	70513304	Electronic Coin Drop Assembly	Australia, New Zealand, Hong Kong and South Korea coins
	70513303	Electronic Coin Drop Assembly	Denmark, Norway and Euro coins
	70513306	Electronic Coin Drop Assembly	Mexico, Ecuador and U.S.A. coins
	70294107	Electronic Coin Drop Assembly	Lithuania, Latvia and Euro coins
	70513311	Electronic Coin Drop Assembly	China and Malaysia coins
	70513308	Electronic Coin Drop Assembly	South African 1, 2 and 5 rand coins
	70513309	Electronic Coin Drop Assembly	Euro coins
	70513312	Electronic Coin Drop Assembly	Russia coins
	70513313	Electronic Coin Drop Assembly	Phillipines coins
	70513314	Electronic Coin Drop Assembly	Thailand coins
	70513315	Electronic Coin Drop Assembly	Chile coins
	70513316	Electronic Coin Drop Assembly	Singapore coins
3	200674P	Opto Coupler	
4	201595P	Wire Guard	

# Coin Drop Kits

All Models Except U Models



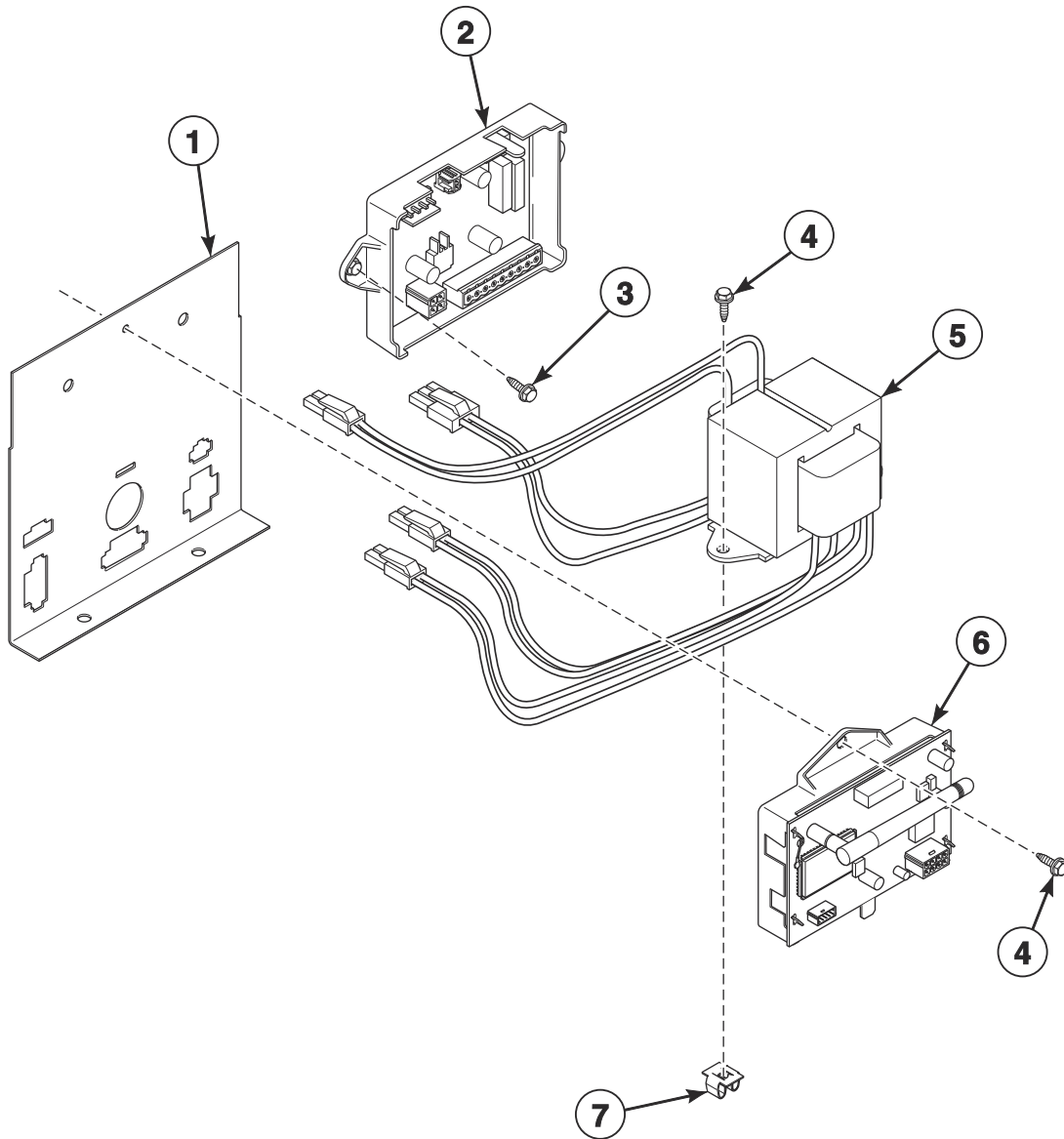
TMB3510PA\_70591901

## Coin Drop Kits

REF	PART NO.	DESCRIPTION	COMMENTS
	CK115	Electronic Coin Drop Kit	United States and Canada
	CK099	Electronic Coin Drop Kit	Australia (default), New Zealand, Hong Kong, South Korea and Malaysia
	CK100	Electronic Coin Drop Kit	United Kingdom (default) and Europe
	CK101	Electronic Coin Drop Kit	Europe (default), Denmark and Norway
	CK108	Electronic Coin Drop Kit	South Africa
	CK109	Electronic Coin Drop Kit	Euro
	CK110	Electronic Coin Drop Kit	Mexico (default), Ecuador and United States
	CK113	Electronic Coin Drop Kit	Japan and Taiwan
	CK116	Electronic Coin Drop Kit	Malaysia (default) and China
	CK117	Electronic Coin Drop Kit	Russia
	CK118	Electronic Coin Drop Kit	Philippine
	CK119	Electronic Coin Drop Kit	Thailand
	CK120	Electronic Coin Drop Kit	Chile
	CK121	Electronic Coin Drop Kit	Singapore
	CK122	Coin Drop Kit	New Zealand; 1.00 and 2.00

# Network Board, Central Pay and Card Reader Components

Central Pay Starting December 2018



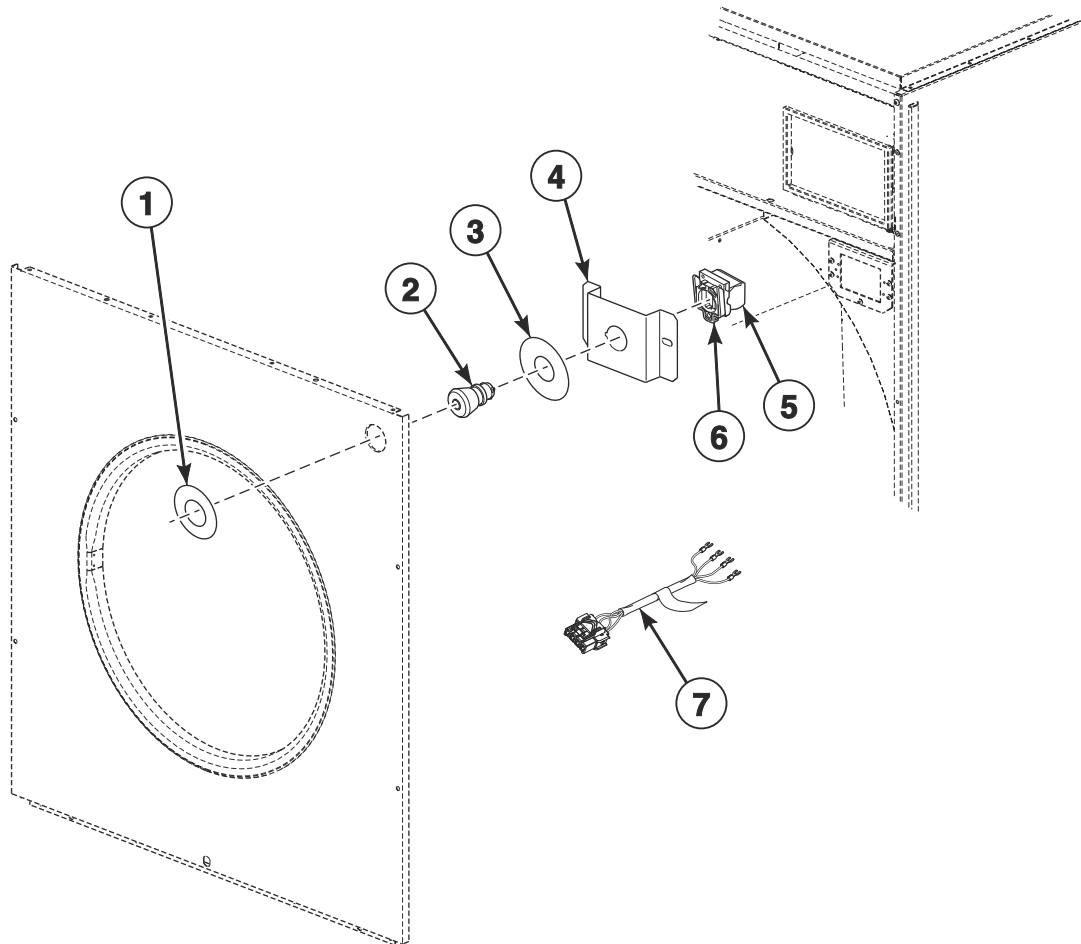
TMB3689P\_70591901

# Network Board, Central Pay and Card Reader Components

REF	PART NO.	DESCRIPTION	COMMENTS
	70596301	Wireless Network Kit	H and U models through 1/31/19; S models through 5/12/19
	70609701	Wireless Network Kit	H models starting 2/1/19; S models starting 5/13/19
	F8536002	Wireless Network Board Harness	H and U models through 1/31/19; S models through 5/12/19
	F8613201	FCC-IC Label	HT and U models through 1/31/19; ST models through 5/12/19
	F8674006	Wireless Network Harness	H models starting 2/1/19; S models starting 5/13/19
	204692	Wireless Control Label	H models starting 2/1/19; S models starting 5/13/19
	205223P	Gateway	H and S models
	NK320	Ethernet Gateway Kit	S models through 5/12/19
	NK330	USB Gateway Kit	S models through 5/12/19
	205070	Payment Center Kit	H models
	205069	Payment Center Kit	H models; Includes printer
	205068	Payment Center Kit	S models
	205067	Payment Center Kit	S models; Includes printer
	203346	USB IR Interface Kit	
	44355602	Central Pay Harness	Routes from central pay board to control tray
	44272301	Transformer Harness	100-120 Volt; Routes from transformer to I/O Control Assembly; Card and central pay
	44272302	Transformer Harness	200-480 Volt; Routes from transformer to I/O Control Assembly; Card and central pay
	44355604	Central Pay Board Harness	Routes from central pay board to transformer
	44355605	Central Pay Harness	Routes from central pay board to front end control
<b>1</b>	70307007	Harness Mounting Plate	
<b>2</b>	44359001	Central Pay Kit	100-120 Volt
	44359003	Central Pay Kit	200-480 Volt
<b>3</b>	51780	Screw	2 required
<b>4</b>	F8206901	Screw	
<b>5</b>	202757	Transformer	100-120 Volt; Card and central pay
	202758	Transformer	200-480 Volt; Card and central pay
<b>6</b>	203532	Wireless Network Control Assembly	H and U models through 1/31/19; S models through 5/12/19
	807211	Wireless Network Control Assembly	H models starting 2/1/19; S models starting 5/13/19
<b>7</b>	70030501	Expansion Clip	2 required

# Emergency Stop Button - OPL Models

A, H, J, K, R and U in the 2nd Position  
G and T in the 2nd Position Through 12/31/18

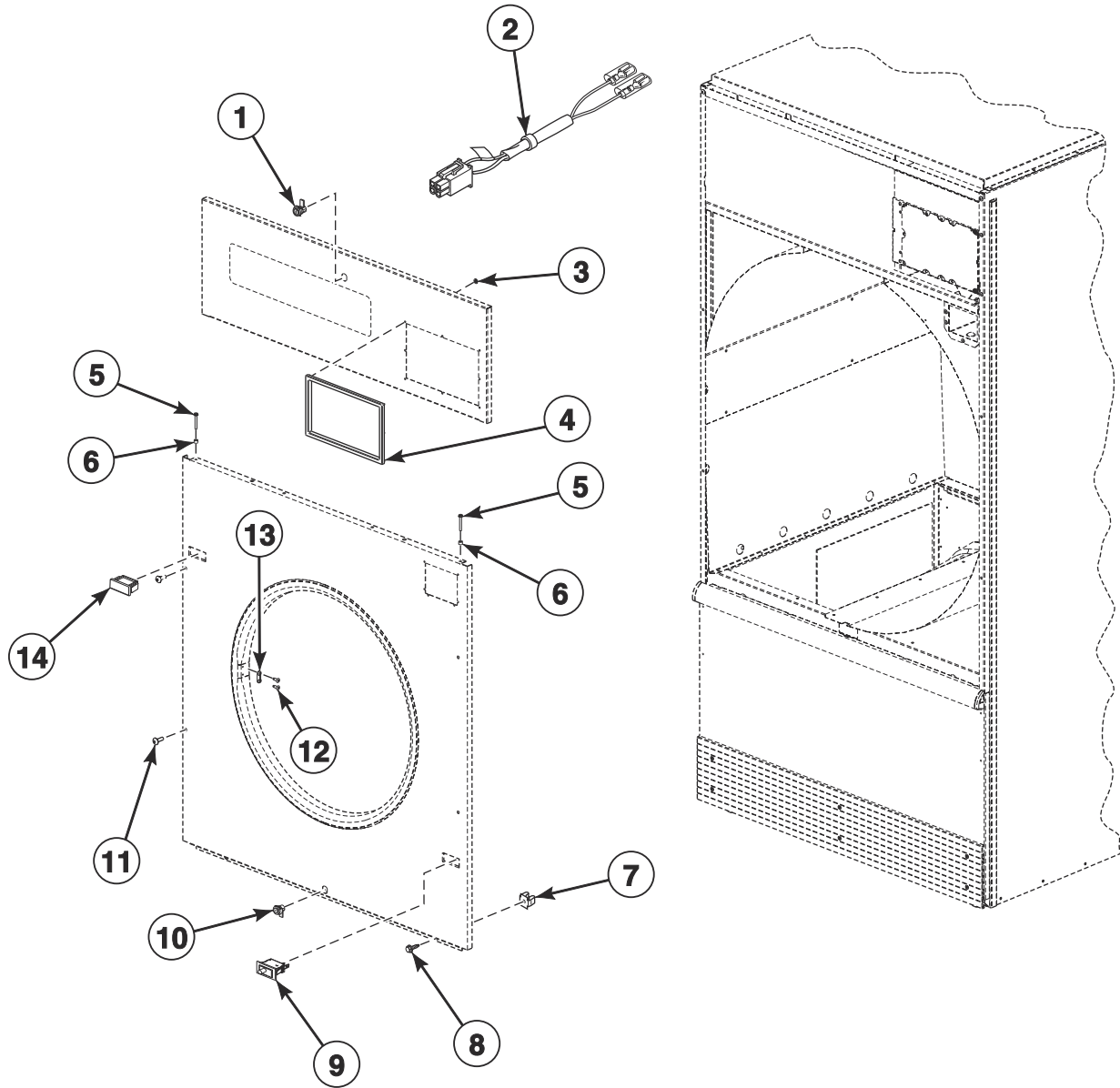


TMB3513P\_70591901

## Emergency Stop Button - OPL Models

REF	PART NO.	DESCRIPTION	COMMENTS
	70580301	Emergency Stop Button Kit	Includes items 2-4
	F8519403	Emergency Stop Bypass Harness	Coin, card and central pay
	44272106	Emergency Stop Interconnect Harness	
1	44012903	Emergency Stop Label	
2	F200233500	Emergency Stop Pushbutton	
3	44012901	Emergency Stop Label	
4	70550401	Emergency Stop Mounting Bracket	
5	F8069501	Contact Switch	2 required
6	F8538101	Contact Base	
7	44272401	Emergency Stop Harness	

# Cabinet Front Components



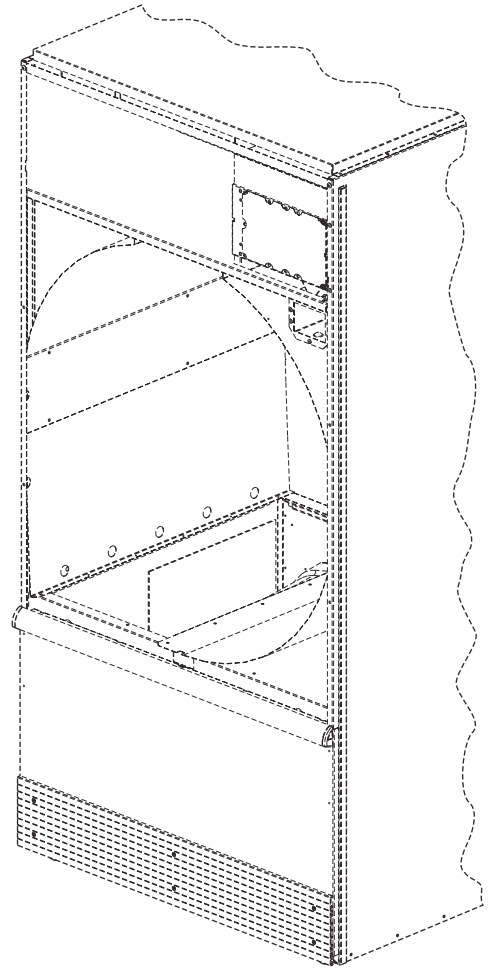
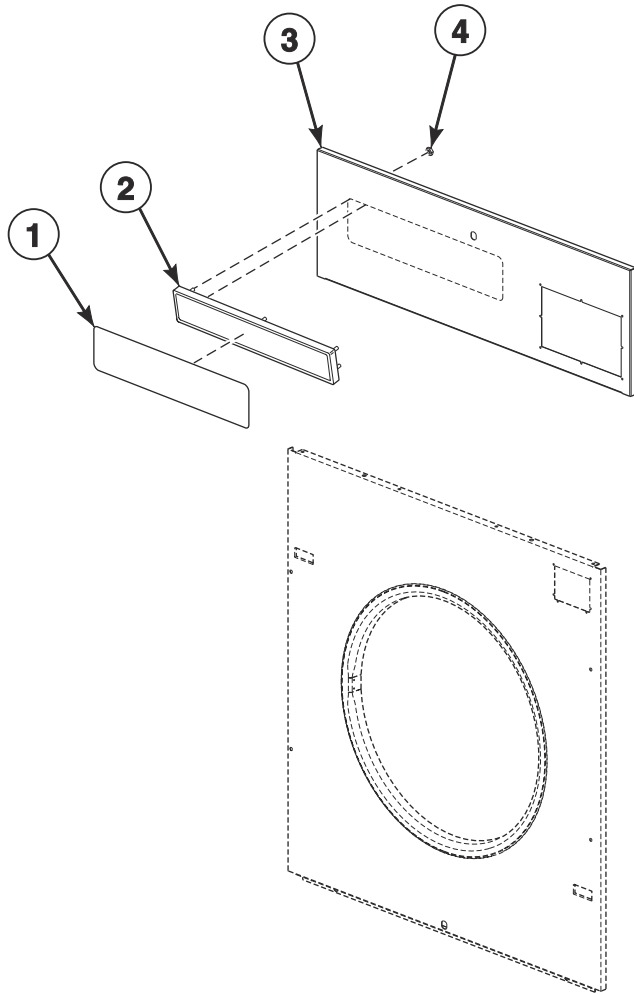
TMB3538P\_70591901



# Cabinet Front Components

REF	PART NO.	DESCRIPTION	COMMENTS
	M4379P4	Tumbler Dolly Kit	
	44271502	Door Switch Harness	
	44334103	Bypass Harness	Card and central pay
	70482901	Door Catch Kit	
<b>1</b>	44089301P	Lock, Key and Nut Kit	RL001 key code; Black; Control panel; Optional if same key is to be used for control lock
	70155601	Key	RL001
	44089304	Panel Lock	RL001; Chrome
<b>2</b>	44334101	Coin Vault Switch Harness	
<b>3</b>	M400977	Nut	8 required per control trim
<b>4</b>	70529401	Control Trim	H models
	44016401	Control Trim	P models; Design 3 S models; Black
<b>5</b>	70275801	Screw	4 required
<b>6</b>	56079	Panel Locator	2 required
<b>7</b>	70030501	Expansion Clip	
<b>8</b>	M411072	Screw	4 required; Front panel; Bottom
<b>9</b>	70413301	Pushbutton Switch	Door switch
<b>10</b>	44089301P	Lock, Key and Nut Kit	RL001 key code; Black; Lint panel; Optional if same key is to be used for control lock
	70155601	Key	RL001
	44089302P	Lock, Key and Nut Kit	RL002 key code; Lint panel; Standard coin and card models
	70155602	Key	RL002
	44089305	Panel Lock	RL002; Chrome
<b>11</b>	70033502	Screw	2 required for stainless steel panels in addition to 2 of 70182601 Screw
	70182601	Screw	2 required for stainless steel panels in addition to 2 of 70033502 Screw; 4 required for painted panels
<b>12</b>	M400003	Pop Rivet	2 per door latch
<b>13</b>	M401223	Door Latch	2 required
<b>14</b>	44057801W	Switch Hole Plug	White; Design 3 models
	44057801Q	Switch Hole Plug	Bisque; Design 3 models
	44057801B	Switch Hole Plug	Black; For stainless steel; Design 3 models
	44057801LG	Switch Hole Plug	Light gray; Design 3 models

# Cabinet Panels and Nameplates



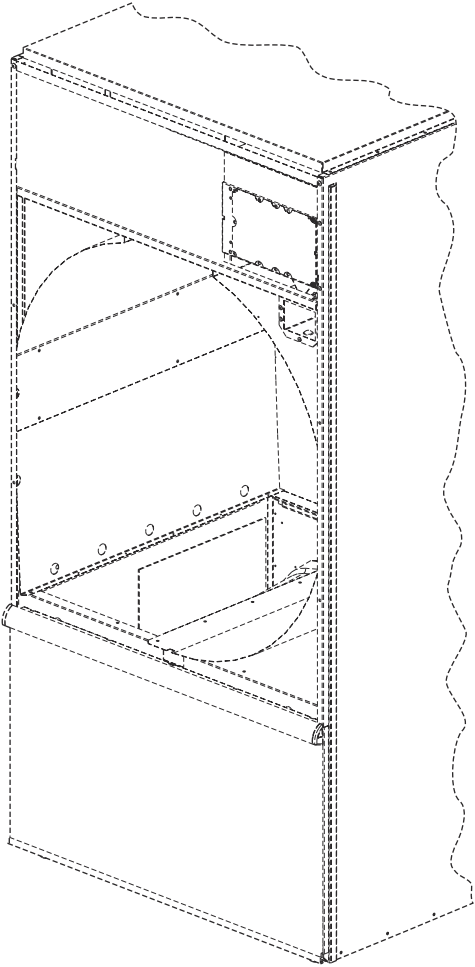
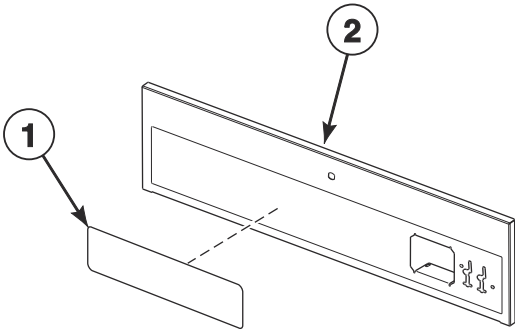
TMB3539P\_70591901

## Cabinet Panels and Nameplates

REF	PART NO.	DESCRIPTION	COMMENTS
	44150105	Insulation	Use behind item 3
<b>1</b>	44010601	Nameplate	S models; Design 3
	F8688901	Nameplate	S models; Design 5
	F8688001	Nameplate	H models; Design 5
	F8443106	Nameplate	U models
	70541801	Nameplate	B models
	567887	Logo Label	P models
	<b>2</b>	70117401	Nameplate Bezel
<b>3</b>	44040008B	Control Panel	B models
	44040005*	Control Panel	U models; Only white available for Design 5
	44040013	Control Panel	Design 5 U models; Stainless steel
	44000122*	Control Panel	H and S models; P models with white front panel; Only white available for Design 5
	44000125	Control Panel	H models; P models with white front panel; Design 3 S models; Stainless steel
	44040015LG	Control Panel	U models; Light gray
	44040014	Control Panel	U models; Stainless steel; Design 3
	44040011*	Control Panel	U models
	44000130DG	Control Panel	P models; Dark gray
	<b>4</b>	M400977	Nut

\* Add Letter To Designate Color. Q - Bisque W - White

# Cabinet Panels and Nameplates - Design 5 S Models

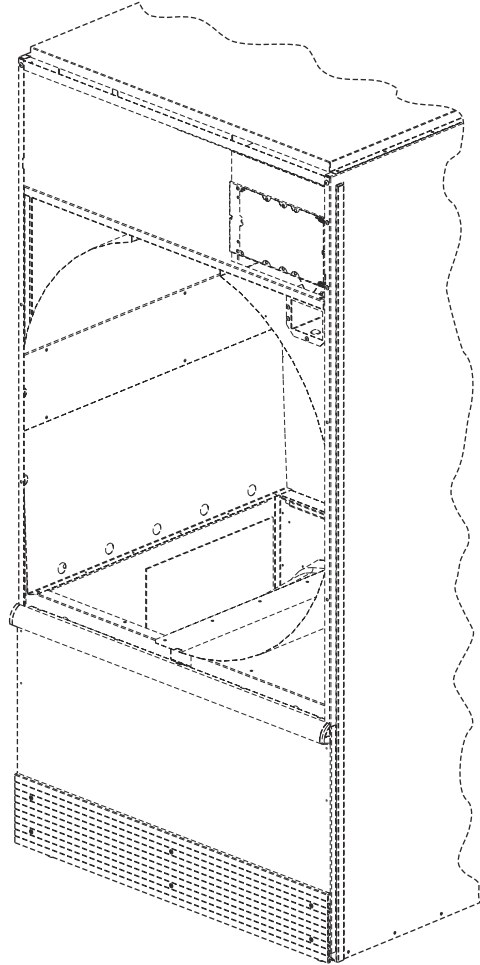
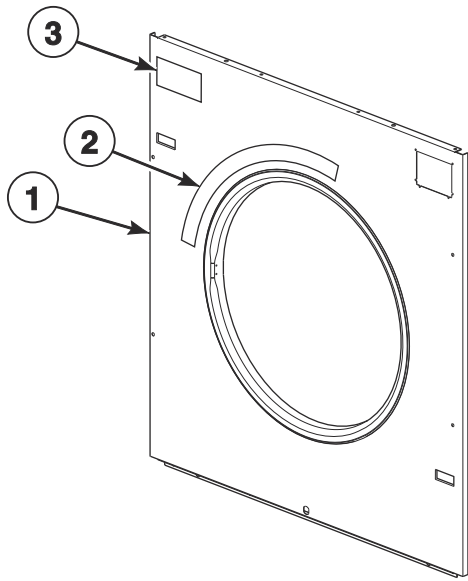


TMB3814P\_70591901

## Cabinet Panels and Nameplates - Design 5 S Models

REF	PART NO.	DESCRIPTION	COMMENTS
	F8521303	Lanyard Cable	
1	F8688901	Nameplate	
2	44368001	Control Panel	Stainless steel; Coin
	44368002	Control Panel	Stainless steel; Card
	44367103	Control Panel	Stainless steel; OPL
	44368003W	Control Panel	Coin
	44368004W	Control Panel	Card
	44367106W	Control Panel	OPL

# Front Panel Assemblies - Design 3 Models



TMB3608P\_70591901

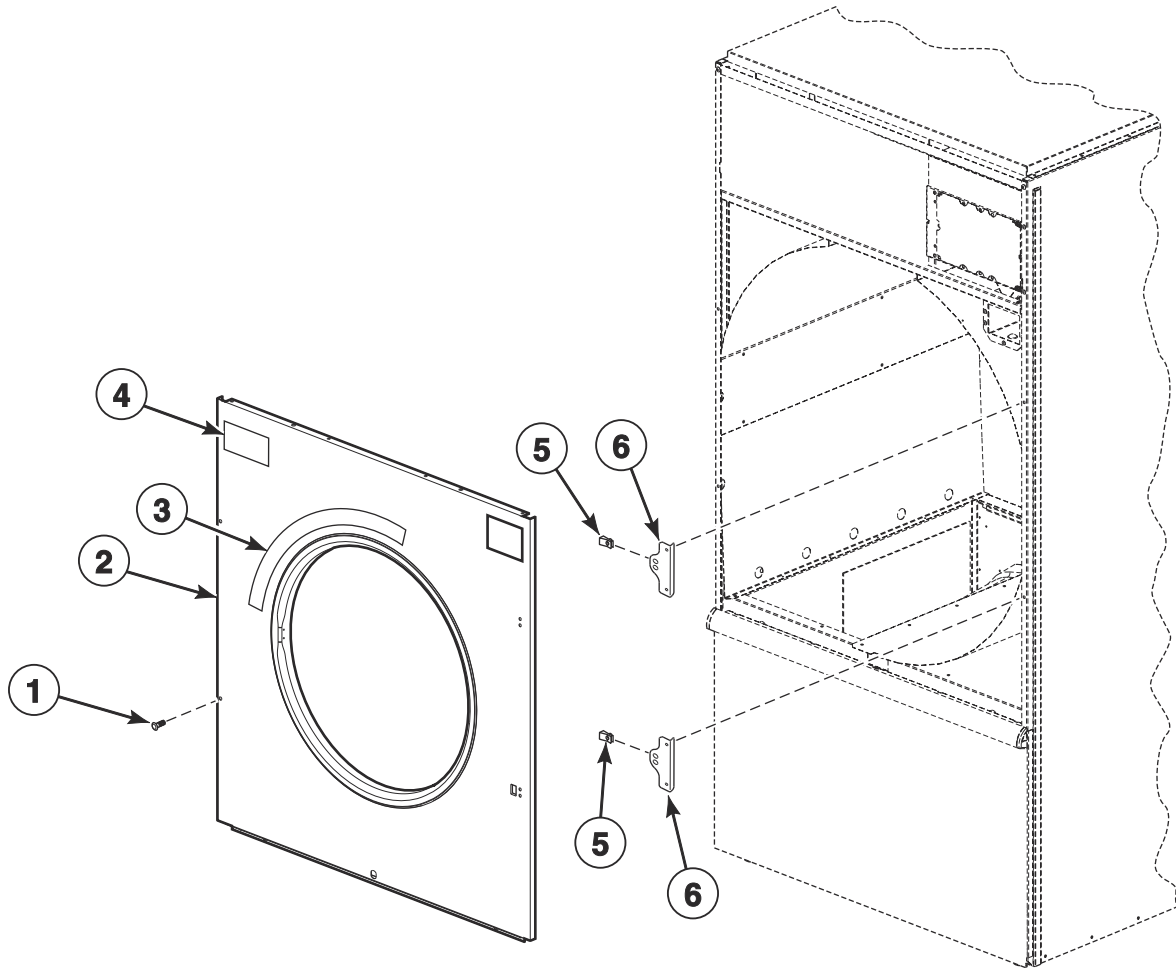
## Front Panel Assemblies - Design 3 Models

REF	PART NO.	DESCRIPTION	COMMENTS
<b>1</b>	44052525*	Front Panel	All models except U models; Coin
	44052527	Front Panel	All models except U models; Coin; Stainless steel
	44052526DG	Front Panel	P models; Coin; Dark gray
	44052503*	Front Panel	All models except U models; Card and central pay
	44052522	Front Panel	All models except U models; Card and central pay; Stainless steel
	44052520DG	Front Panel	P models; Card; Dark gray
	44052528*	Front Panel	OPL; With e-stop
	44052529	Front Panel	OPL; Stainless steel; With e-stop
	44052530LG	Front Panel	U models; OPL; Light gray; With e-stop
	44052530DG	Front Panel	P models; OPL; Dark gray; With e-stop
	44052505*	Front Panel	OPL; Without e-stop
	44077919	Front Panel	OPL; Stainless steel; Without e-stop
	44052517LG	Front Panel	U models; OPL; Light gray; Without e-stop
	44052517DG	Front Panel	P models; OPL; Dark gray; Withou e-stop
<b>2</b>	70534401	Warning Label	English
	70534402	Warning Label	French
	70534405	Warning Label	Colombian Spanish
	70534400	Label Kit	Warning; IEC models
<b>3</b>	44190901	Label	P models; Safe Tech
	70537001	Label	B, H, S and U models; C.A.R.E.

\* Add Letter To Designate Color. **Q** - Bisque **W** - White

# Front Panel Assemblies - Design 5 Models

H, S and U Models



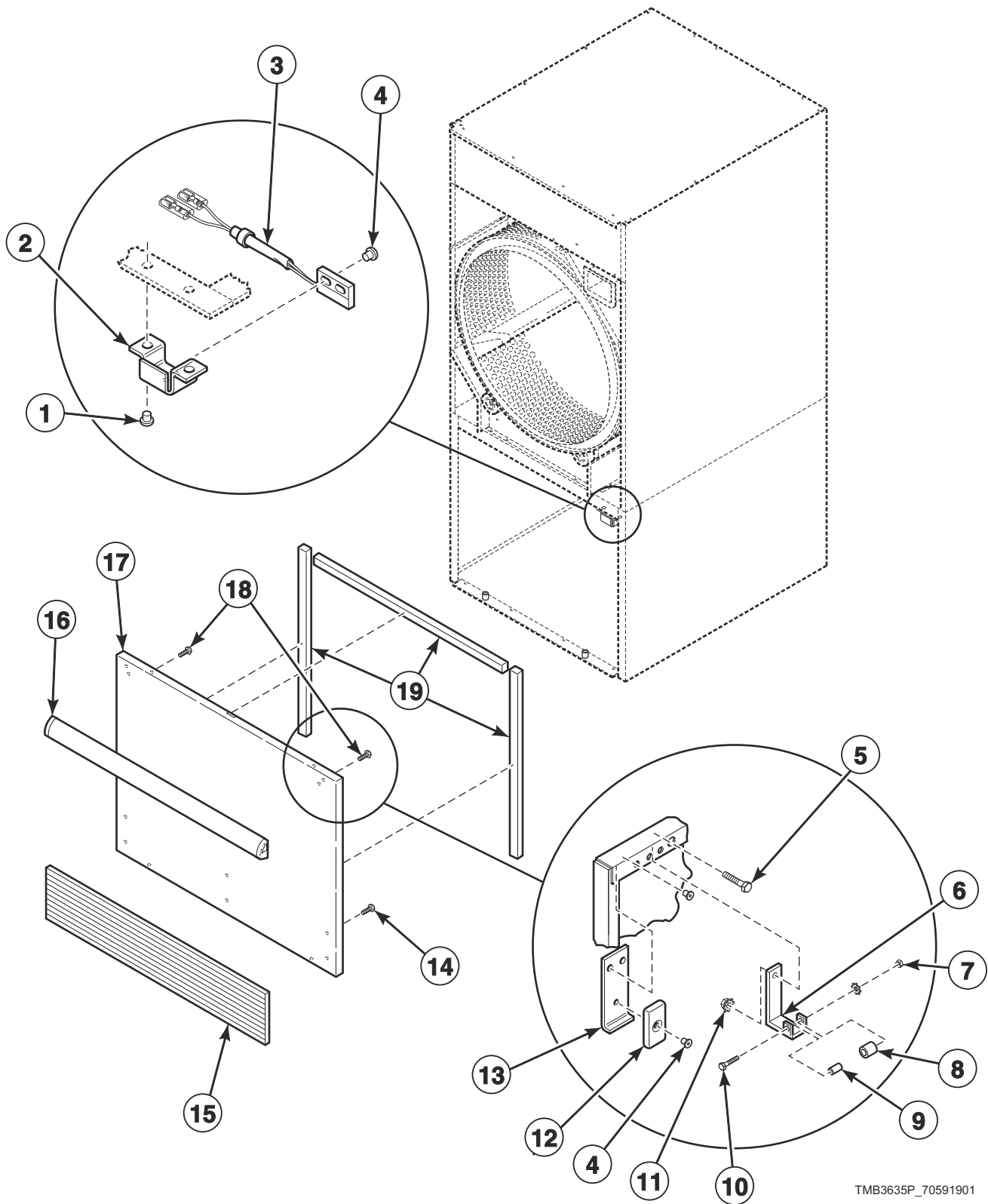
TMB3815P\_70591901



## Front Panel Assemblies - Design 5 Models

REF	PART NO.	DESCRIPTION	COMMENTS
	70058501	Pop Rivet	Use to attach item 6
<b>1</b>	70182601	Screw	
<b>2</b>	44367403	Front Panel	Stainless steel; Coin
	44367406	Front Panel	Stainless steel; Card and central pay
	44367409	Front Panel	Stainless steel; OPL
	44367408LG	Front Panel	U models; Light gray; OPL
	44367401W	Front Panel	Coin
	44367404W	Front Panel	Card and central pay
	44367407W	Front Panel	OPL
<b>3</b>	70534401	Warning Label	English
	70534402	Warning Label	French
	70534405	Warning Label	Colombian Spanish
<b>4</b>	70537001	Label	C.A.R.E.
<b>5</b>	70030401	Nut	
<b>6</b>	70634301	Lug Mount Bracket	

# Lower Cabinet Front Components



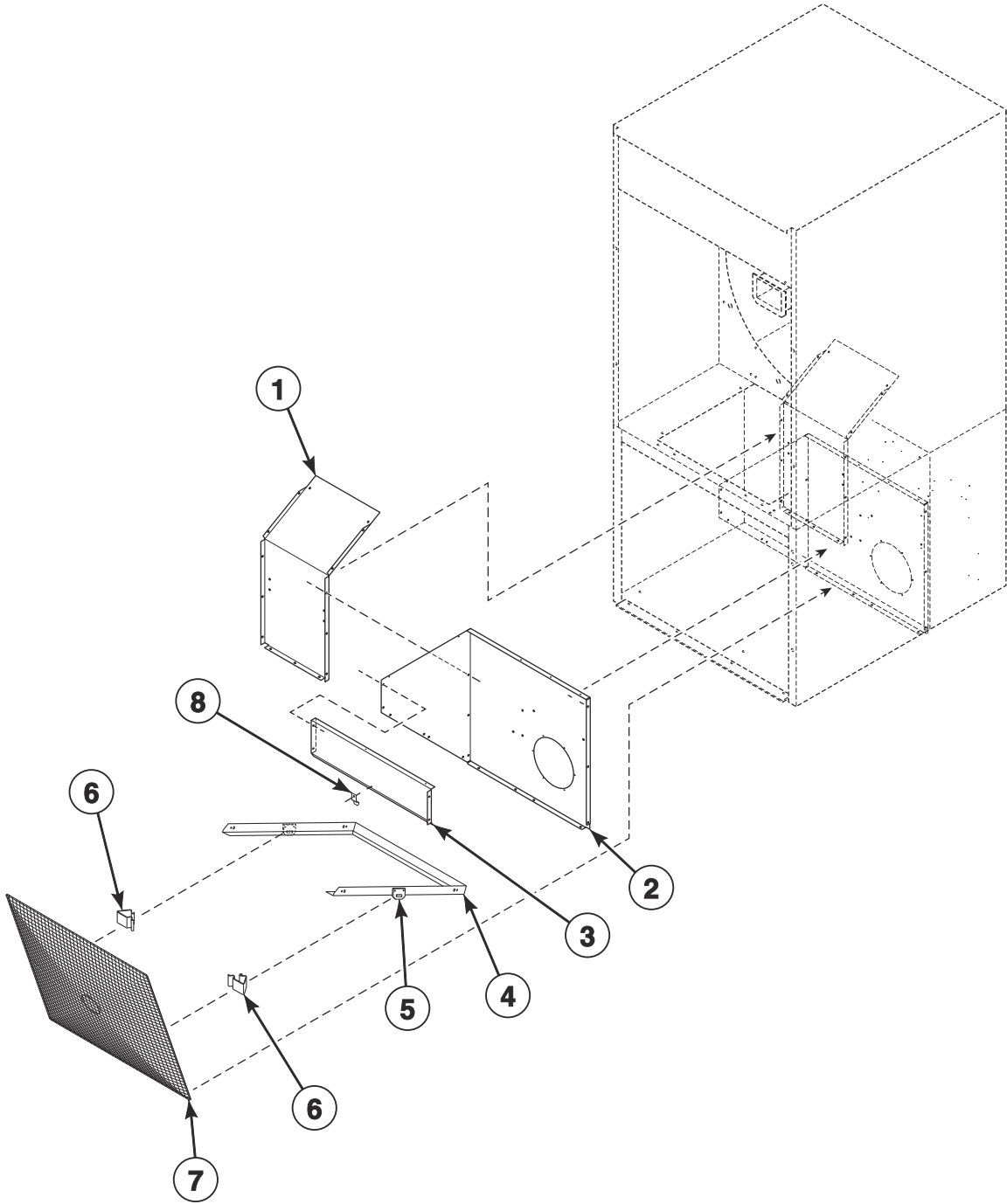
TMB3635P\_70591901

## Lower Cabinet Front Components

REF	PART NO.	DESCRIPTION	COMMENTS
	70404001	Roller Bracket Assembly	Includes items 6-10
1	70058501	Pop Rivet	
2	44296101	Switch Bracket	
3	F8066804	Reed Switch Assembly	
4	F8245101	Blind Rivet	
5	70132301	Screw	Attaching roller catch
6	70030301	Roller Catch Arm	
7	23951	Nut	
8	70297601	Roller Catch Wheel	
9	70030201	Roller Catch Spacer	
10	70072801	Screw	
11	51236	Nut	Attaching roller catch
12	70343101	Magnet	
13	44290501	Magnet Bracket	
14	70126301	Pop Rivet	For attaching kickplate; Black; 6 required
	70126401	Pop Rivet	For attaching kickplate; Gray; 6 required
15	70117619	Kickplate	H and U models; Gray; Design 3
	70117607	Kickplate	All models except H models; Black; Design 3
16	70154405P	Handle and Caps Assembly	B, S and U models; P models with white and stainless steel front panel; Black; Includes endcaps
	70407210	Handle Bumper	P models
	70154415	Handle and Caps Assembly	H and U models; Gray; Includes endcaps
17	44293601*	Lint Panel	Design 3 Models
	44293604DG	Lint Panel	P models; Dark gray; No kickplate
	44293603LG	Lint Panel	Design 3 U models; Light gray
	44293602	Lint Panel	B, H, S and U models; Design 3; Stainless steel
	44293605	Lint Panel	P models; Design 5 H, S and U models; Stainless steel; No kickplate
	44293604LG	Lint Panel	Design 5 U models; Light gray; No kickplate
	44293606W	Lint Panel	Design 5 H, S and U models; No kickplate
18	430757	Screw	
19	70289101P	Gasket	Sold per foot

\* Add Letter To Designate Color. Q - Bisque W - White

# Lint Panel Components

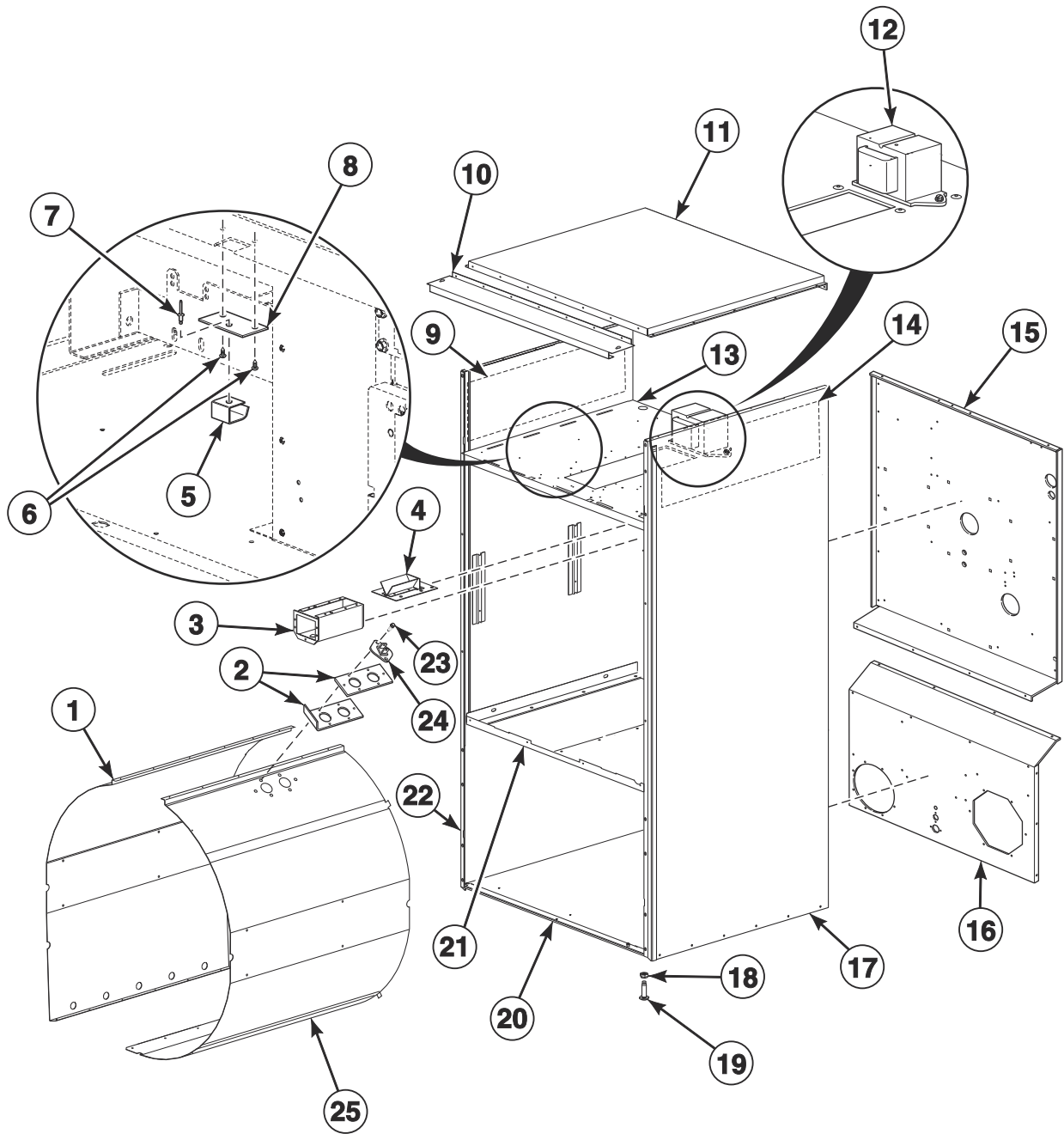


TMB3637P\_70591901

## Lint Panel Components

REF	PART NO.	DESCRIPTION	COMMENTS
1	44298101	Lint Panel	F75 models; Left
	44298102	Lint Panel	All other models; Left
2	44298201	Lint Panel	F75 models; Right
	44300901	Lint Panel	All other models; Right
3	44298901	Lint Screen Top Rail	
4	44325301	Lint Bracket	
5	44140202	Lint Clip Bracket	2 required
6	35865	Hold-Down Clip	2 required
7	44063601	Lint Screen	
8	H96418413	Lint Screen Clip	

# Cabinet Components



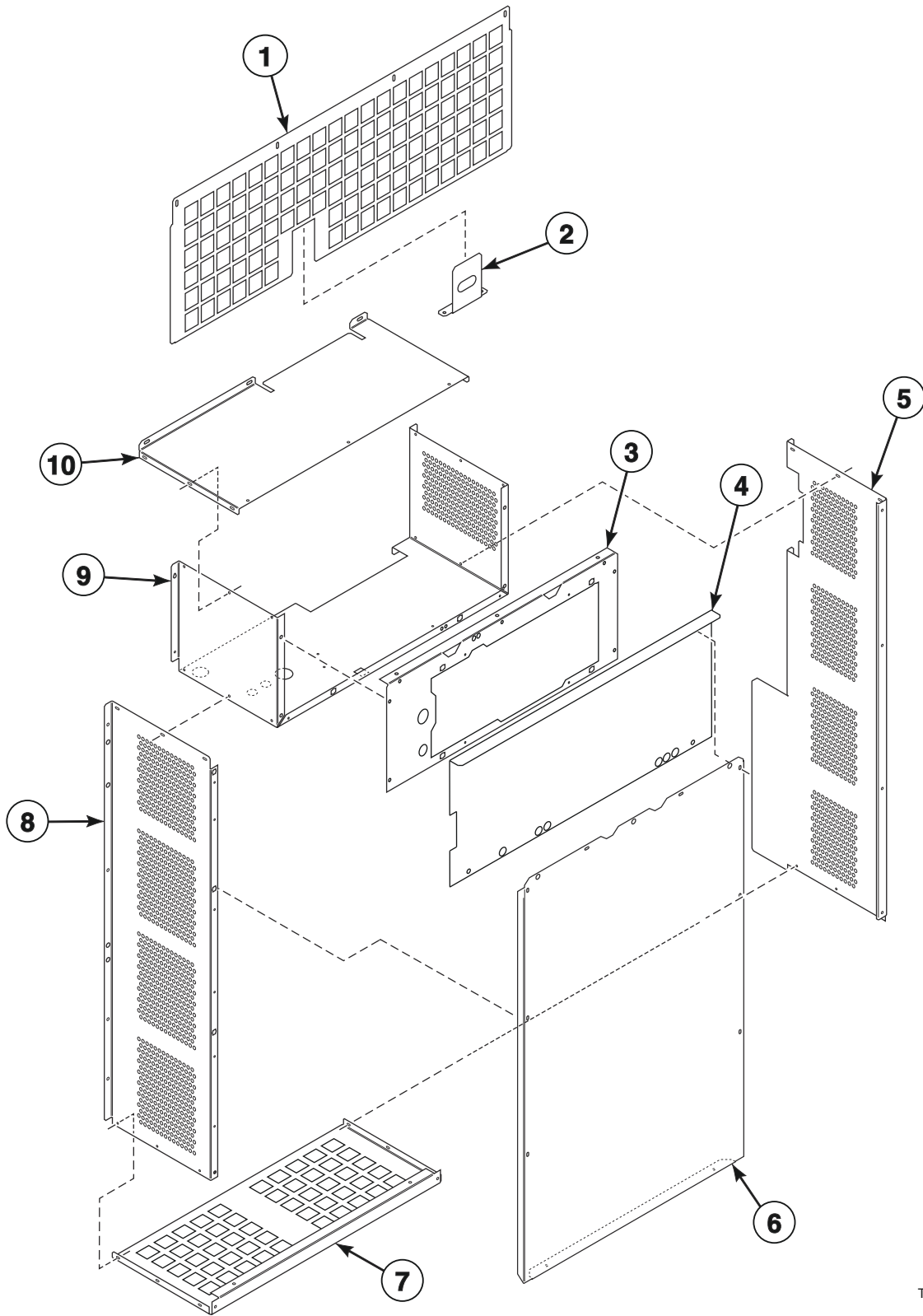
TMB3638P\_70591901

# Cabinet Components

REF	PART NO.	DESCRIPTION	COMMENTS
	298P4P	Spray Paint	White
	122P4P	Porcelain Touch-Up Paint	White
	370P4P	Porcelain Touch-Up Paint	Bisque
	70058501	Pop Rivet	Use with items 17 and 22
	430497	Screw	Use with items 17 and 22
	44334103	Bypass Harness	Coin vault switch
	44334101	Coin Vault Switch Harness	
	44272301	Transformer Harness	120 Volt; Use with item 12
	44272302	Transformer Harness	240 Volt; Use with item 12
<b>1</b>	44299001	Baffle	Left
<b>2</b>	44068101	Thermistor Plate	
	44068102	Thermistor Plate	Use as a shim
<b>3</b>	70529501	Coin Vault Assembly	
	70529502	Coin Vault and Emergency Stop Mount Assembly	Models with emergency stop
	F160673P	Coin Box	Optional equipment; Includes lock and key
<b>4</b>	70296401	Coin Chute Assembly	Wide
<b>5</b>	431318	Control Door Latch	
<b>6</b>	431287	Screw	
<b>7</b>	M400003	Pop Rivet	
<b>8</b>	44003201	Latch Mounting Bracket	
<b>9</b>	44150102	Insulation	
<b>10</b>	44368201	Top Panel Bracket	Gas and electric models
<b>11</b>	44129301P	Top Cover Pan	Gas and electric models
	44139301	Top Cover	Steam models
<b>12</b>	202757	Transformer	100-120 Volt; Card reader models
	202758	Transformer	All other voltages; Card reader models
<b>13</b>	44300101	Top Pan	
<b>14</b>	44150105	Insulation	
<b>15</b>	44297001	Upper Rear Panel	
<b>16</b>	44297101	Lower Rear Panel	F75 models
	44300001	Lower Rear Panel	All other models
<b>17</b>	44299501DG	Side Panel	P models; Right; Dark gray
	44299501*P	Side Panel	All models except P models; Design 3; Right
	44299501LG	Side Panel	Design 3 U models; Right; Light gray
	44367801LG	Side Panel	Design 5 U models; Right; Light gray
	44367801W	Side Panel	Design 5 H, S and U models; Right
<b>18</b>	21899	Nut	Right
<b>19</b>	70247701	Screw	Leveling leg
<b>20</b>	44298701	Bottom Pan	
<b>21</b>	44298601	Center Pan	
<b>22</b>	44299401DG	Side Panel	P models; Left; Dark gray
	44299401*	Side Panel	All models except P models; Design 3; Left
	44299401LG	Side Panel	Design 3 U models; Left; Light gray
	44367701LG	Side Panel	Design 5 U models; Left; Light gray
	44367701W	Side Panel	Design 5 H, S and U models; Left
<b>23</b>	51780	Screw	
<b>24</b>	44064701	Thermistor	
<b>25</b>	44299802	Baffle	Right
	44299801	Baffle	Right with fire suppression system

\* Add Letter To Designate Color. Q - Bisque W - White

# Rear Panel and Belt Guard Components



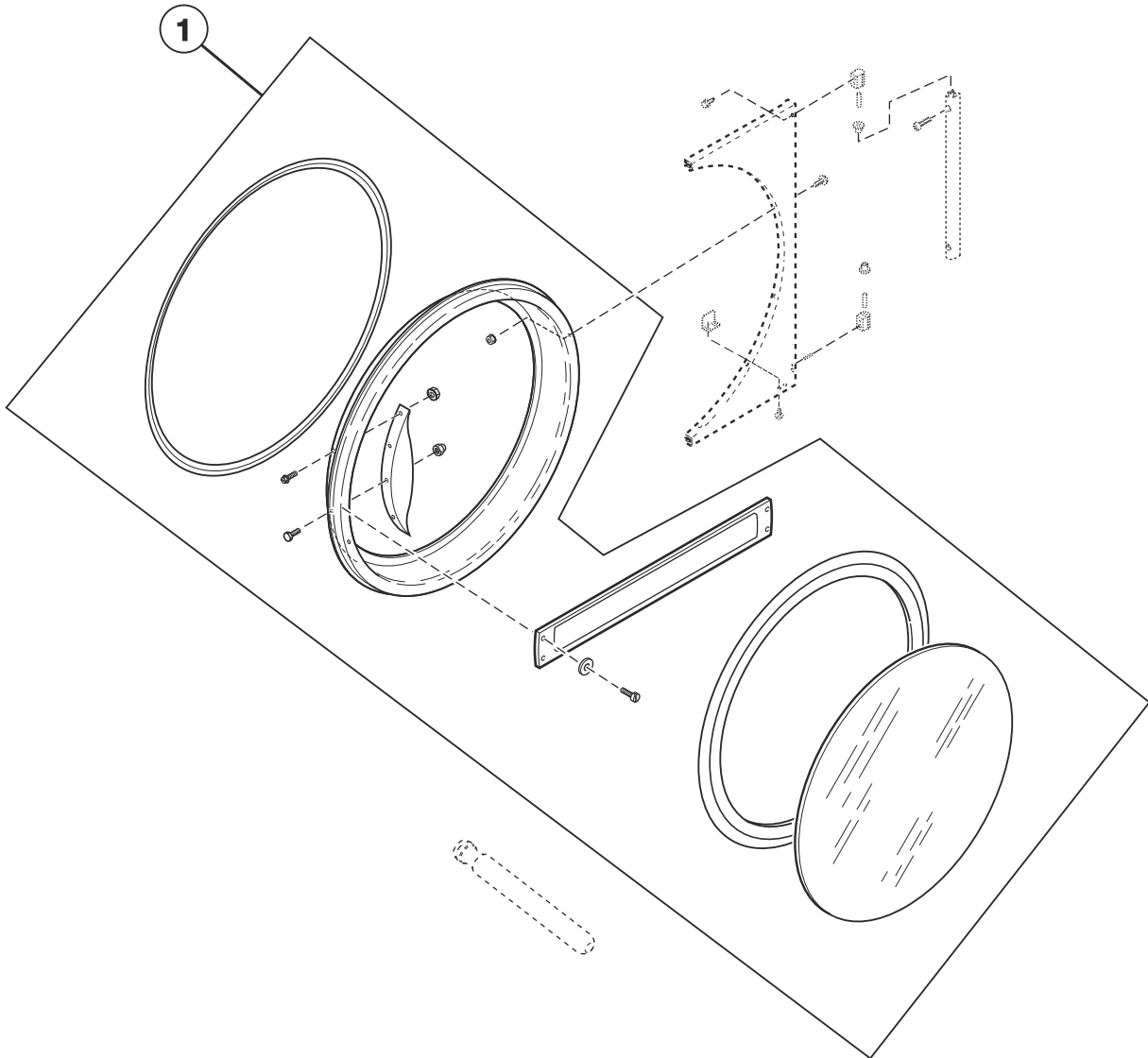
TMB3729P\_70591901



## Rear Panel and Belt Guard Components

REF	PART NO.	DESCRIPTION	COMMENTS
1	44300301	Stove Grate	Gas models
	44300302	Stove Grate	Steam models
	44305601	Stove Grate	Electric models
2	44327601	Pipe Bracket	Gas models
3	44332201	Belt Guard	Middle
4	70507501	Control Tray Cover	
5	44298301	Belt Guard Side Panel	Left
6	44269201	Guard Panel	Rear
	44269202	Guard Panel	Rear with fire suppression system
7	44298401	Belt Guard	Bottom
8	44301101	Belt Guard Side Panel	Right
9	44332301	Guard Panel	Middle
10	44314301	Belt Guard	Top

# Door Assemblies

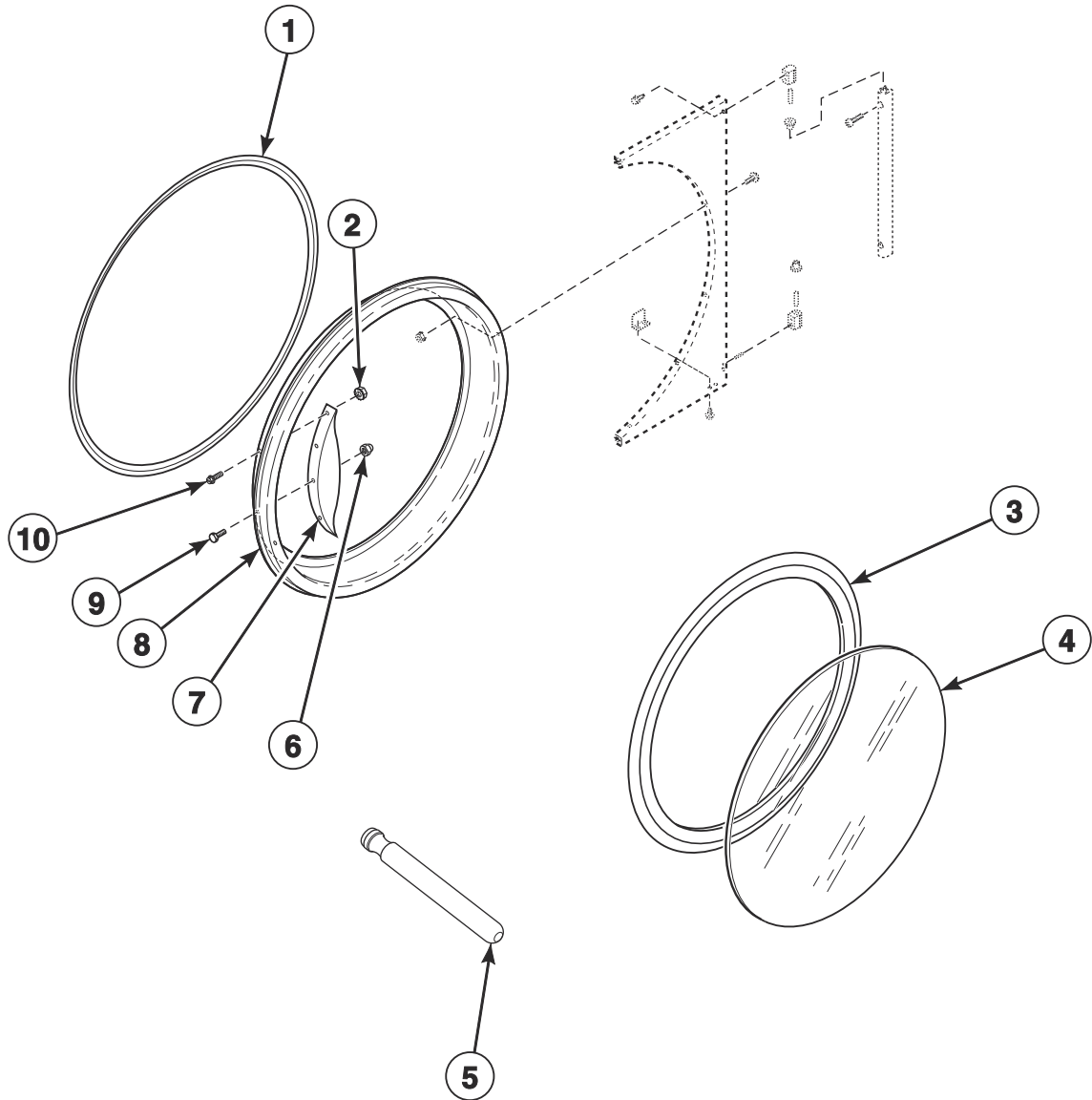


TMB3152P\_70591901

# Door Assemblies

REF	PART NO.	DESCRIPTION	COMMENTS
1	44028906	Door Assembly	Design 3 S models; Stainless steel
	44354701	Door Assembly	S models; Stainless steel; Design 5
	44028908	Door Assembly	Design 3 S models; Chrome
	44354702	Door Assembly	S models; Chrome; Design 5
	44266703	Door Assembly	U models; Stainless steel; Design 3
	44354703	Door Assembly	U models; Stainless steel; Design 5
	44266704	Door Assembly	U models; Chrome; Design 3
	44354704	Door Assembly	U models; Chrome; Design 5
	44058105	Door Assembly	H models; Stainless steel; Design 3
	44354705	Door Assembly	H models; Stainless steel; Design 5
	44058107	Door Assembly	H models; Stainless steel with green trim; Design 3
	44354707	Door Assembly	H models; Stainless steel with green trim; Design 5
	44058106	Door Assembly	H models; Chrome; Design 3
	44354706	Door Assembly	H models; Chrome; Design 5
	44058108	Door Assembly	H models; Chrome with green trim; Design 3
	44354708	Door Assembly	H models; Chrome with green trim; Design 5
	44028907	Door Assembly	B models
	44292302LG	Door Assembly	P models; Light gray
	44292302B	Door Assembly	P models; Use with stainless steel front panel

# Door Components

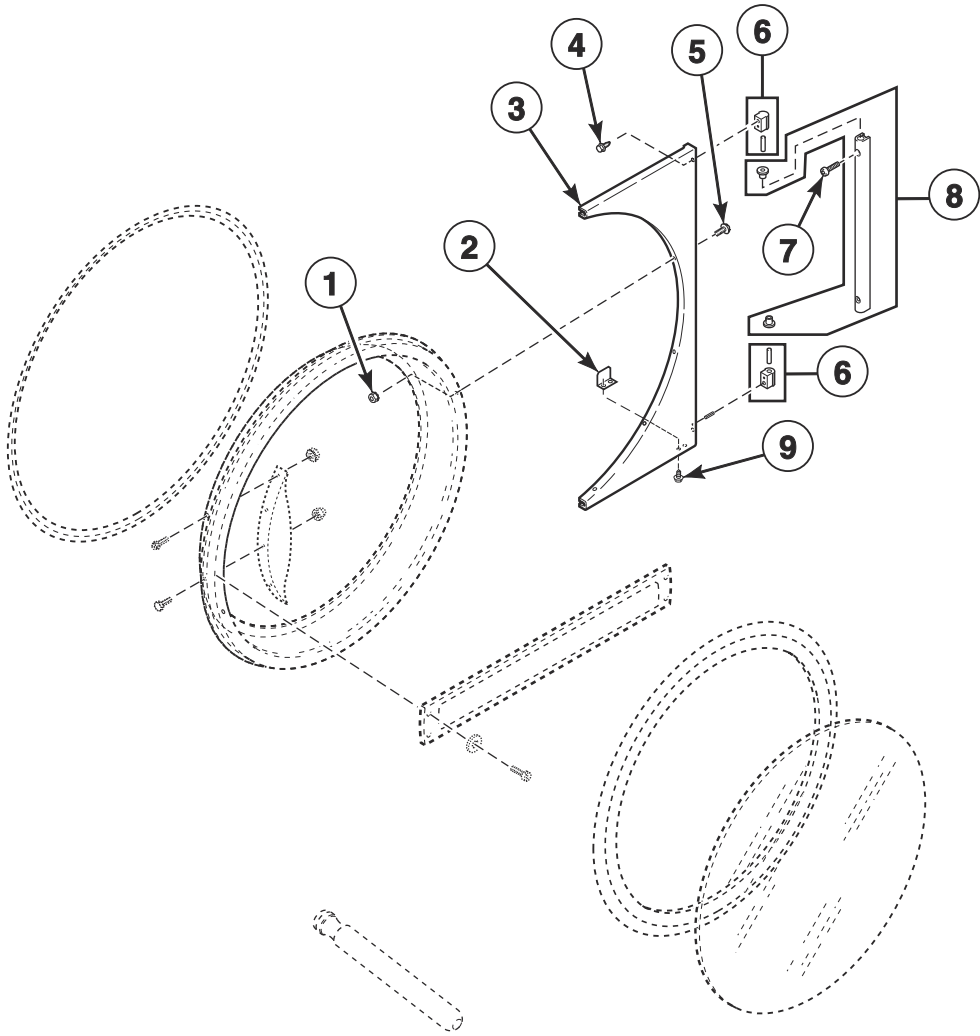


TMB3609P\_70591901

## Door Components

REF	PART NO.	DESCRIPTION	COMMENTS
	70650401	Door Glass Label	H models; Design 5
1	70296802	Door Ring Gasket	H models with chrome handle
	44008201P	Door Ring Gasket	All other models
2	44088001	Nut	B, H and S models; 4 required
3	70211902P	Door Seal Kit	Use Loctite 414 for seal
4	44008402P	Door Glass	H models; Design 3
	44008403	Door Glass	H models; Green trim; Design 3
	44008405	Door Glass	H models; Green trim; Design 5
	44008404	Door Glass	B models; Orange trim
	44008401P	Door Glass	All other models; Design 5 H models
5	M4221P4	Door Glass Installation Tool	
6	M414215	Nut	
7	70521102	Door Handle	H models; Design 3
	44370601	Door Handle	H models; Design 5
	44007901	Door Handle	B and S models
	44263801	Door Handle	U models; Use 901620 Screw, 800465 Washer, 803871 Screw and 44088001 Nut to attach
8	44326001	Door Ring Assembly	H and S models; Stainless steel; Design 3
	44326005	Door Ring Assembly	H and S models; Chrome; Design 3
	44326002	Door Ring Assembly	U models; Design 3
	44326006	Door Ring Assembly	U models; Chrome; Design 3
	44326004B	Door Ring Assembly	B models
	44326007LG	Door Ring and Handle Assembly	P models; Light gray
	44326007B	Door Ring and Handle Assembly	P models; Use with stainless steel and white front panel; Black
9	M400661	Screw	Door strike
10	70442101	Screw	B, H and S models; 4 required

# Hinge Components - Design 3 Models



TMB3091PA\_70591901

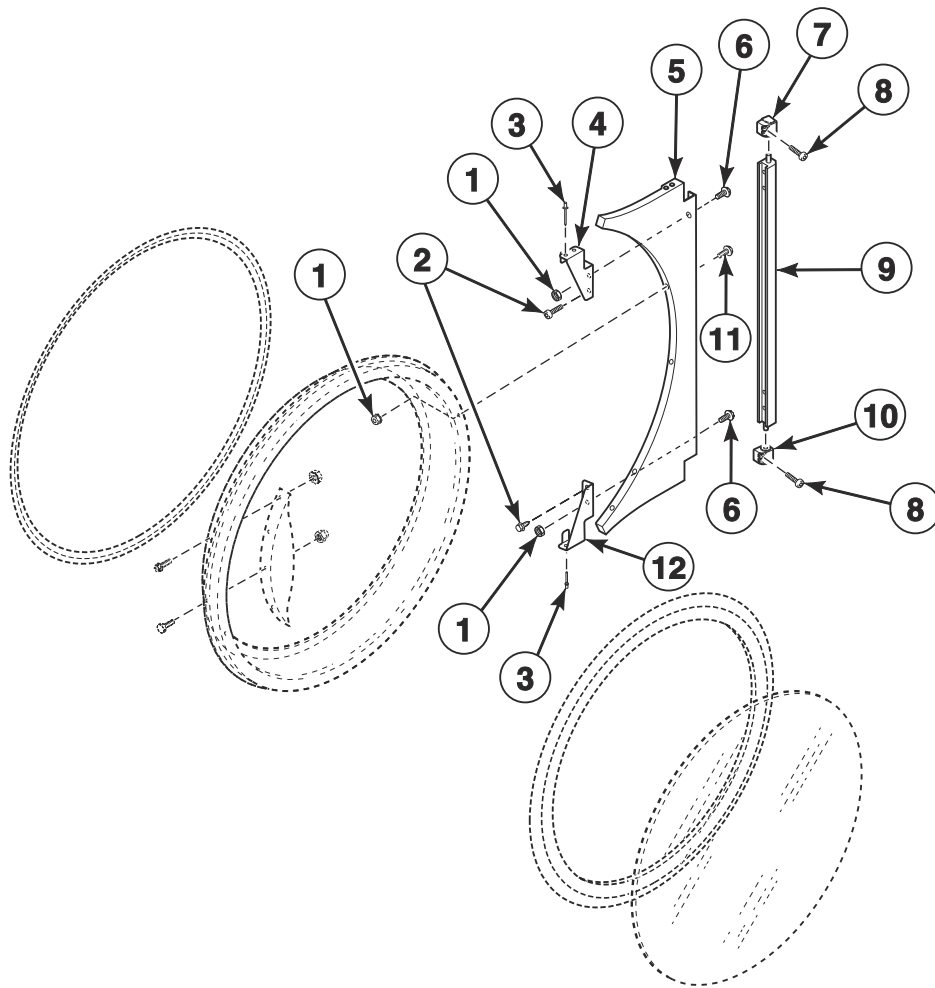
## Hinge Components - Design 3 Models

REF	PART NO.	DESCRIPTION	COMMENTS
1	44088001	Nut	6 required
2	70215001P	Door Switch Actuator Kit	
3	44075208B	Door Hinge Assembly	Black; B models; P models with white and stainless steel front panels
	44075203*	Door Hinge Assembly	H, S and U models
	44075211	Door Hinge Assembly	H, S and U models; Stainless steel
	44075208LG	Door Hinge Assembly	P and U models; Light gray
4	70442101	Screw	3 required
5	M400044	Screw	6 required
6	M4773P3	Cam and Hinge Kit	Black; B models; P models with white and stainless steel front panels
	M4772P3	Cam and Hinge Kit	H, P, S and U models
7	70409801	Screw	Black; B models; P models with white and stainless steel front panels; 2 required
	70033502	Screw	H, P, S and U models; 2 required
8	44035002	Door Hinge Lug Assembly	Black; B models; P models with white and stainless steel front panels
	44035001	Door Hinge Lug Assembly	H, P, S and U models
9	70058501	Pop Rivet	2 required

\* Add Letter To Designate Color. Q - Bisque W - White

# Hinge Components - Design 5 Models

H, S and U Models



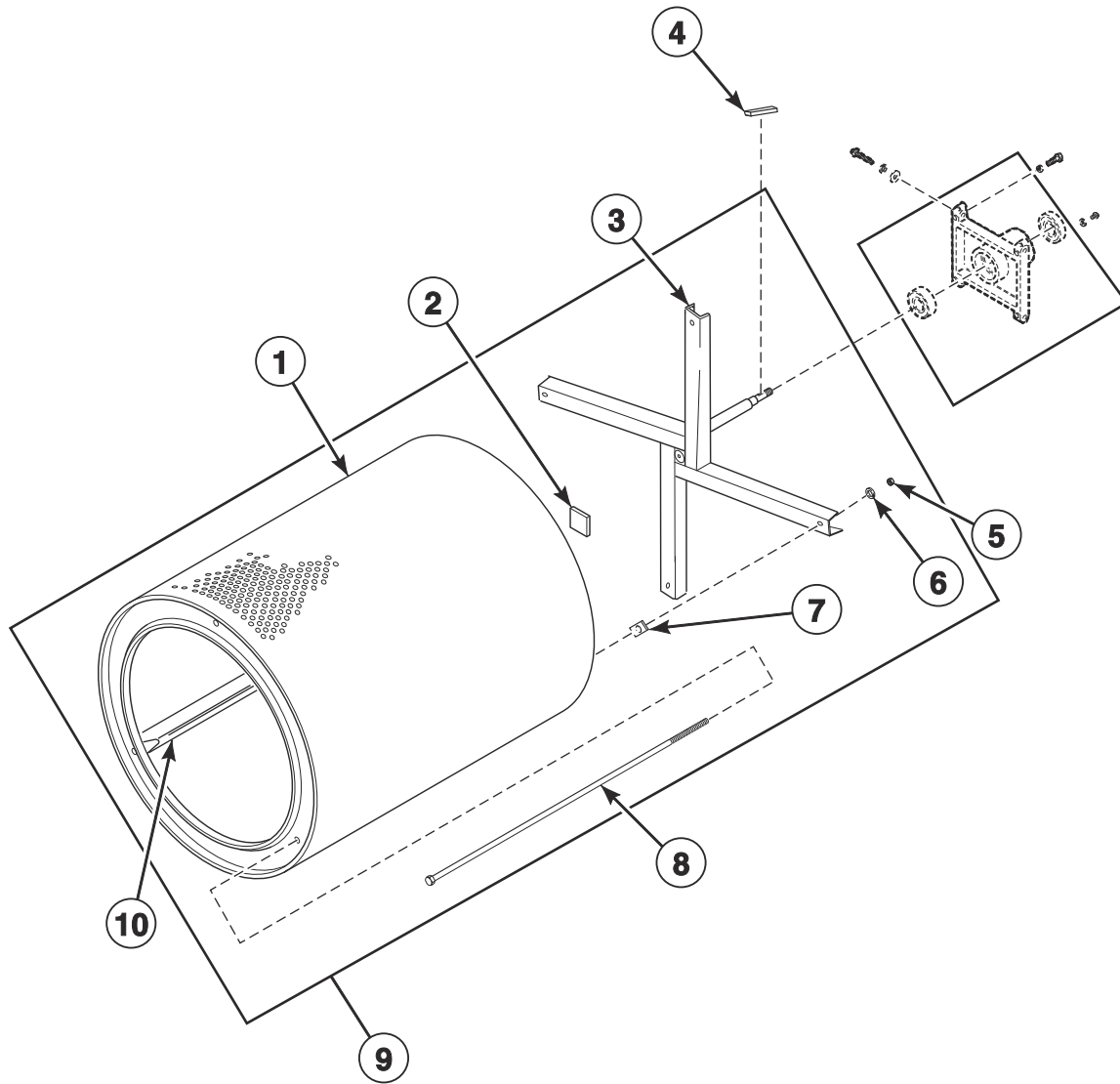
TMB3805P\_70591901



## Hinge Components - Design 5 Models

REF	PART NO.	DESCRIPTION	COMMENTS
1	44088001	Nut	
2	802822	Screw	
3	70058501	Pop Rivet	
4	70632001	Upper Hinge Gusset	
5	44366606W	Door Hinge Assembly	White
	44366604	Door Hinge Assembly	Stainless steel
	44366602LG	Door Hinge Assembly	Light gray; U models
	44366608	Door Hinge Assembly	Chrome
6	70640201	Screw	
7	70639301	Upper Lug Assembly	Use with 2 of item 8
8	70640301	Screw	
9	70640401	Center Hinge Lug Assembly	
10	70639302	Lower Lug Assembly	Use with 2 of item 8
11	44349101	Screw	
12	70632002	Lower Hinge Gusset	

# Cylinder and Trunnion Components

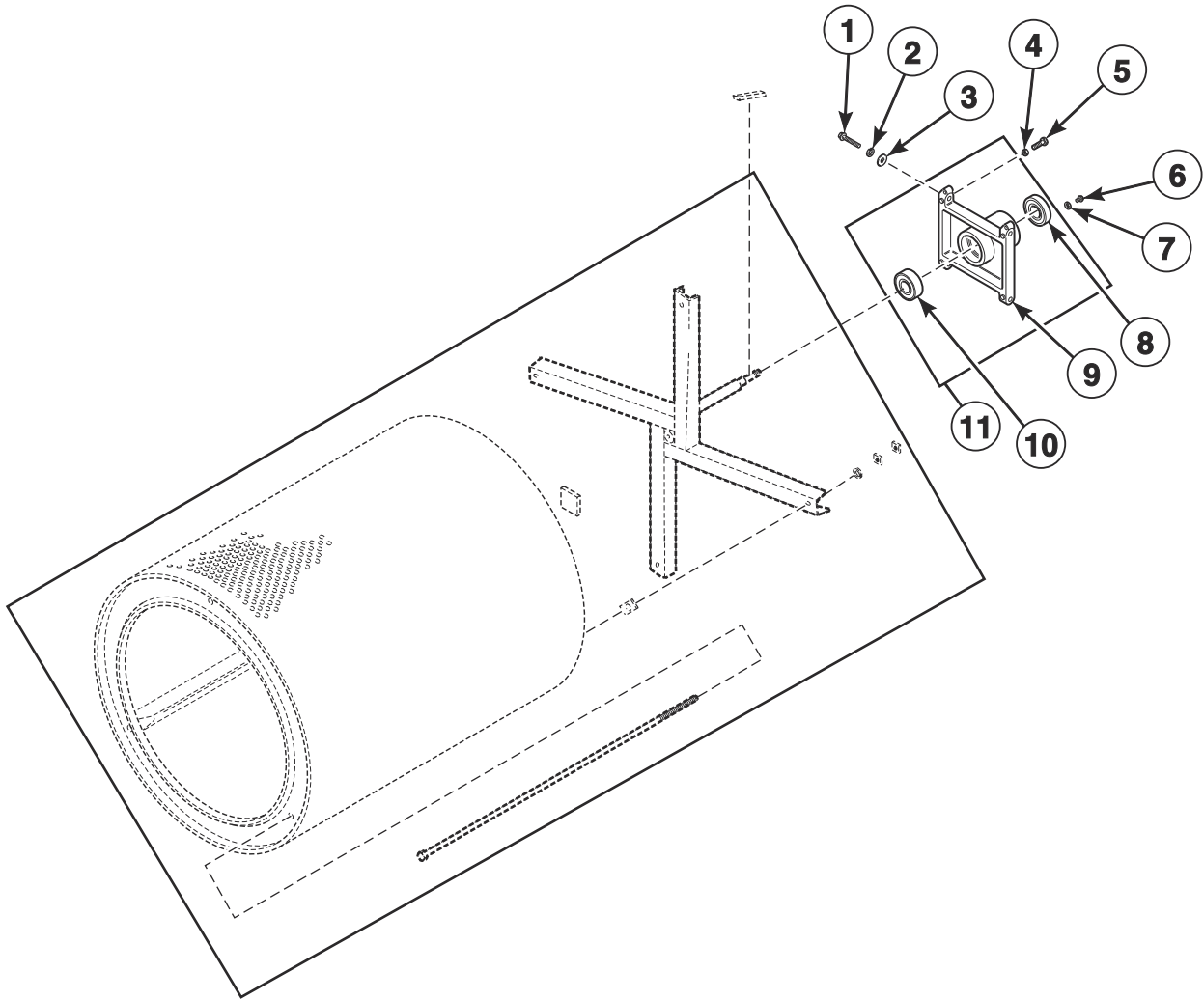


TMB3796P\_70591901

## Cylinder and Trunnion Components

REF	PART NO.	DESCRIPTION	COMMENTS
1	44057201P	Cylinder Kit	Galvanized; Non-moisture sensing
	44057301P	Cylinder Kit	Stainless steel; Non-moisture sensing
	44198301P	Cylinder Assembly	Galvanized; Moisture sensing
	44198302	Cylinder Assembly	Stainless steel; Moisture sensing
2	M402144	Felt Pad	
3	44208001	Trunnion Assembly	Spider; Non-moisture sensing
	44207901	Trunnion Assembly	Moisture sensing
4	M400008	Key	Half moon
5	M404993	Nut	
6	M400015	Washer	4 required
7	M401402	Spacer	Adjustment between cylinder and trunnion
8	M404992	Rib Rod	
9	44195701P	Cylinder and Trunnion Assembly	Galvanized; Non-moisture sensing
	44195702P	Cylinder and Trunnion Assembly	Stainless steel; Non-moisture sensing
	44195705P	Cylinder and Trunnion Assembly	Galvanized; Moisture sensing
	44195706	Cylinder and Trunnion Assembly	Stainless steel; Moisture sensing
10	44191202	Cylinder Rib Assembly	Moisture sensing

# Bearing Components

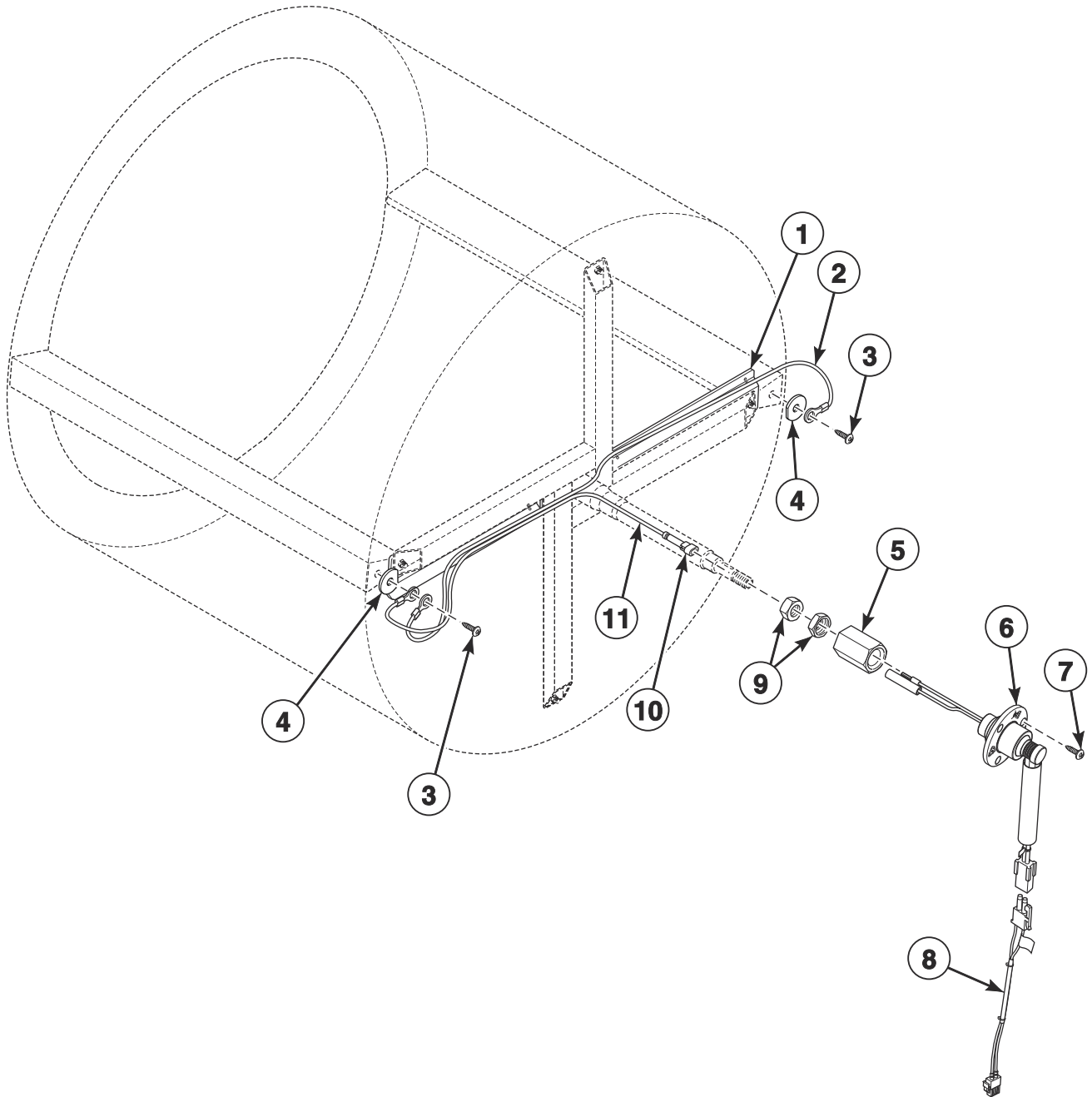


TMB2123PA\_70591901

# Bearing Components

REF	PART NO.	DESCRIPTION	COMMENTS
	M4640P3	Trunnion and Bearing Assembly	Non-moisture sensing
	44336301	Trunnion and Bearing Assembly	Moisture sensing
	M4644P3	Housing and Trunnion Assembly	Includes bearing; Non-moisture sensing
	44336302	Housing and Trunnion Assembly	Moisture sensing
<b>1</b>	M400063	Screw	4 required
<b>2</b>	M400015	Washer	4 required
<b>3</b>	70261401	Washer	4 required
<b>4</b>	M400026	Nut	4 required
<b>5</b>	M400650	Bolt	2 required
<b>6</b>	70187201	Screw	4 required
<b>7</b>	20103	Washer	4 required
<b>8</b>	F100136P	Bearing	
<b>9</b>	M413832	Trunnion Housing Assembly	
<b>10</b>	44041901P	Ball Bearing	
<b>11</b>	M413832	Trunnion Housing Assembly	Includes bearing

# Moisture Sensing Components

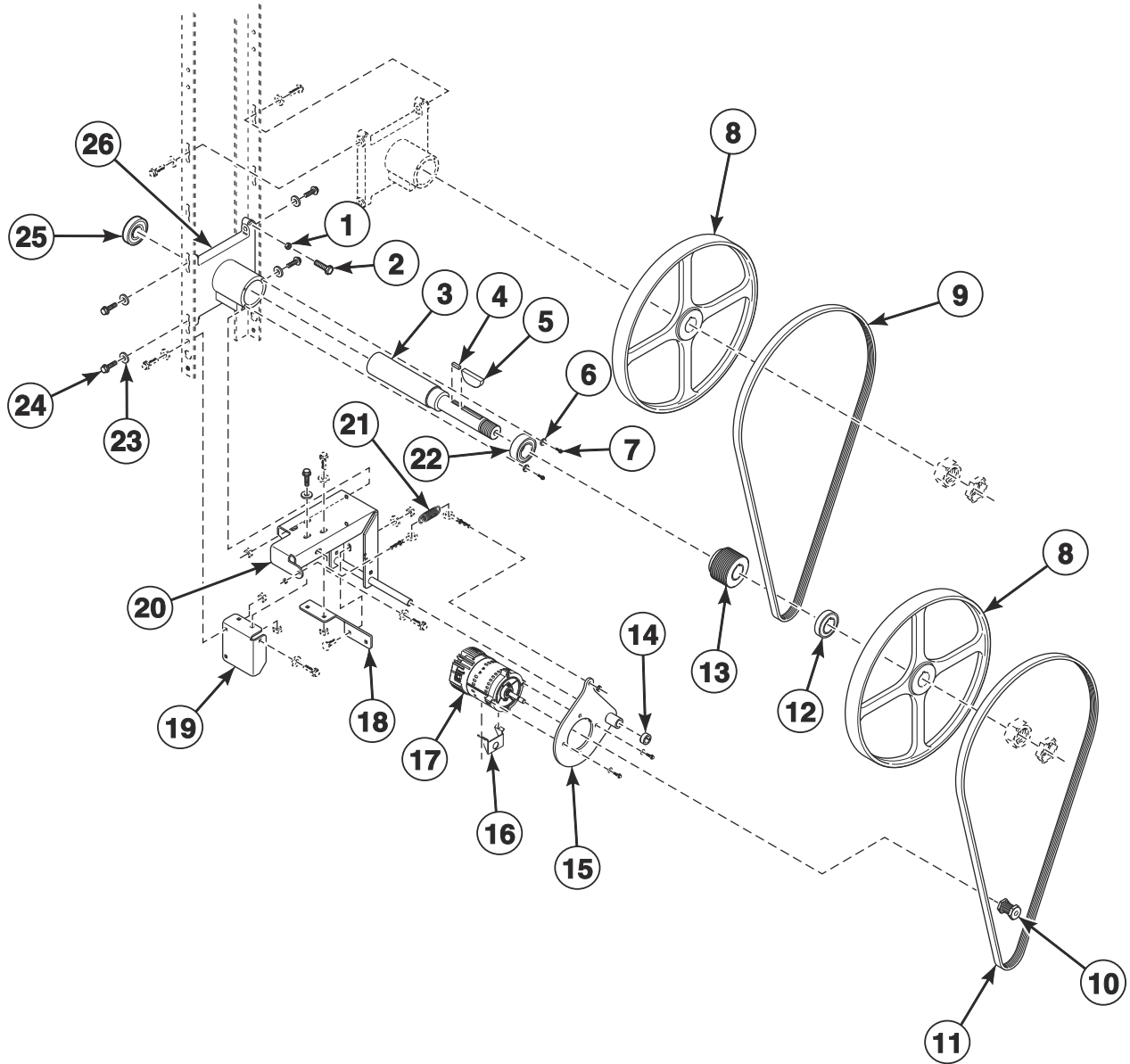


TMB3544P\_70591901

## Moisture Sensing Components

REF	PART NO.	DESCRIPTION	COMMENTS
	44344702	Moisture Sensing Harness Kit	
	55881	Harness Strap	Use with item 1
<b>1</b>	44239101	Wireway Channel	
<b>2</b>	44208601	Rib Wire	
<b>3</b>	44338901	Screw	
<b>4</b>	44238902	Washer	
<b>5</b>	44224401	Slip Ring Holder	
<b>6</b>	44222702	Slip Ring Assembly	
<b>7</b>	70442101	Screw	
<b>8</b>	44333902	Moisture Sensor Harness	Goes from item 6 to main harness
<b>9</b>	M400035	Nut	
<b>10</b>	44370401	1 Circuit Plug Housing	
<b>11</b>	44208702	Shaft Wire	

# Drive Motor Components



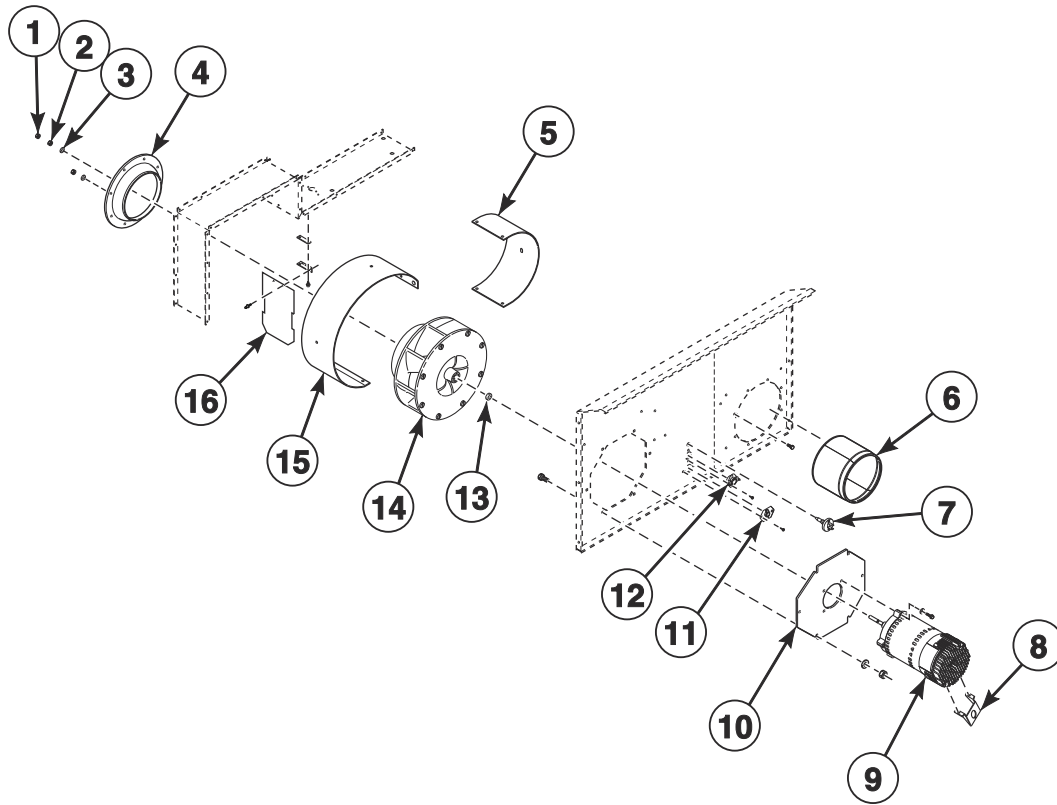
TMB3827P\_70591901



# Drive Motor Components

REF	PART NO.	DESCRIPTION	COMMENTS
	44333202	Nut	Use with motor pulley
	44335304	Inverter Motor Harness	Cylinder
	44335305	Inverter Motor Harness	Fan
	M413832	Trunnion Housing Assembly	Includes items 6, 7, 22, 25 and 26
1	M400026	Nut	
2	M400650	Bolt	
3	44303102	Idler Shaft	
4	44309301	Key	
5	M400008	Key	
6	20103	Washer	
7	70187201	Screw	
8	44289502	Pulley	
9	44333301	V-Belt	Upper
10	44267601	Motor Pulley	F75 models
	70559102	Motor Pulley	All other models
11	44309402	V-Belt	Lower
12	44306801	Idler Spacer	
13	44270201	Micro V Pulley	
14	70467001	Shaft Collar	
15	44311501	Motor Pivot Plate Weldment	
16	44317901	Motor Conduit Bracket	
17	44259701P	Drive Motor	F75 models; 1.5 HP; 230 Volt/3 Phase
	44259801P	Drive Motor	F75 models; 1.5 HP; 380-460 Volt/3 Phase
	44259501P	Drive Motor	All other models; .50 HP; 120, 230 Volt/1 Phase
	44259601P	Drive Motor	All other models; .50 HP; 380-460 Volt/3 Phase
18	44325701	Motor Pivot Gusset Bracket	
19	44325801	Motor Pivot Support Bracket	
20	44327001	Motor Pivot Bracket Weldment	
21	F8440701	Extension Spring	
22	M413923P	Bearing	
23	70261401	Washer	4 required
24	805213	Screw	4 required
25	44041901P	Ball Bearing	
26	M413826	Trunnion Housing	

# Blower and Exhaust Components

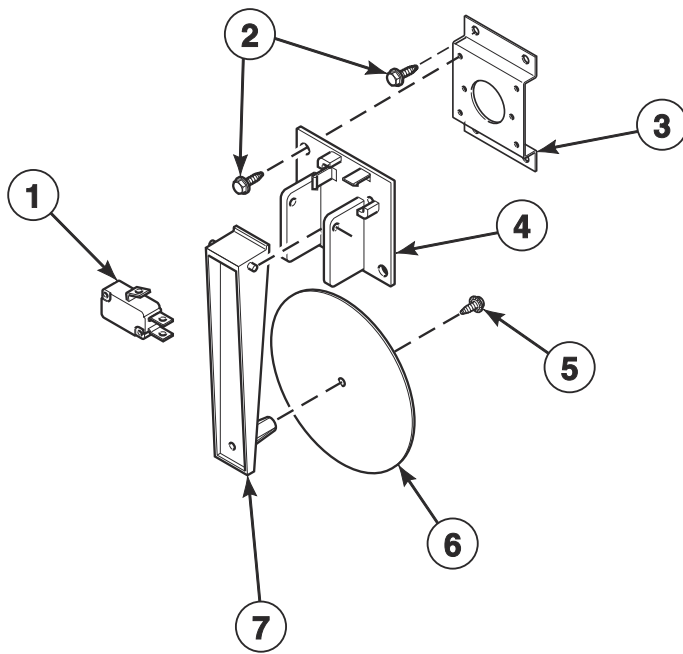


TMB3730P\_70591901

## Blower and Exhaust Components

REF	PART NO.	DESCRIPTION	COMMENTS
1	M400034	Nut	
2	M400022	Nut	
3	F431131	Washer	
4	44305201	Blower Inlet Cone	F75 models
	70303101	Blower Inlet Cone	All other models
5	44308402	Air Exhaust Deflector	F75 models
	44308401	Air Exhaust Deflector	All other models
6	44305002	Thimble Assembly	F75 models
	44327901	Exhaust Pipe Assembly	All other models
7	M414704	Thermistor	
8	44317901	Motor Conduit Bracket	
9	44259301P	Fan Motor	F75 models; 1.5 HP; 230 Volt/3 Phase
	44259401P	Fan Motor	F75 models; 1.5 HP; 380-460 Volt/3 Phase
	70478701P	Fan Motor	All other models; .50 HP; 120, 230 Volt/1 Phase
	70484901P	Fan Motor	All other models; .50 HP; 380-460 Volt/3 Phase
10	44311301	Blower Motor Mounting Plate	F75 models
	70380801	Blower Motor Mounting Plate	All other models
11	70530905	Limit Thermostat	
12	44328003	Limit Thermostat	
13	70599301	Fan Spacer	
14	44267201	Blower Assembly	F75 models
	70302201P	Blower Assembly	All other models
15	44303901	Blower Housing Scroll	F75 models
	44303801	Blower Housing Scroll	All other models
16	44280302	Damper Assembly	F75 models
	44280301	Damper Assembly	All other models

# Airflow Switch Assembly

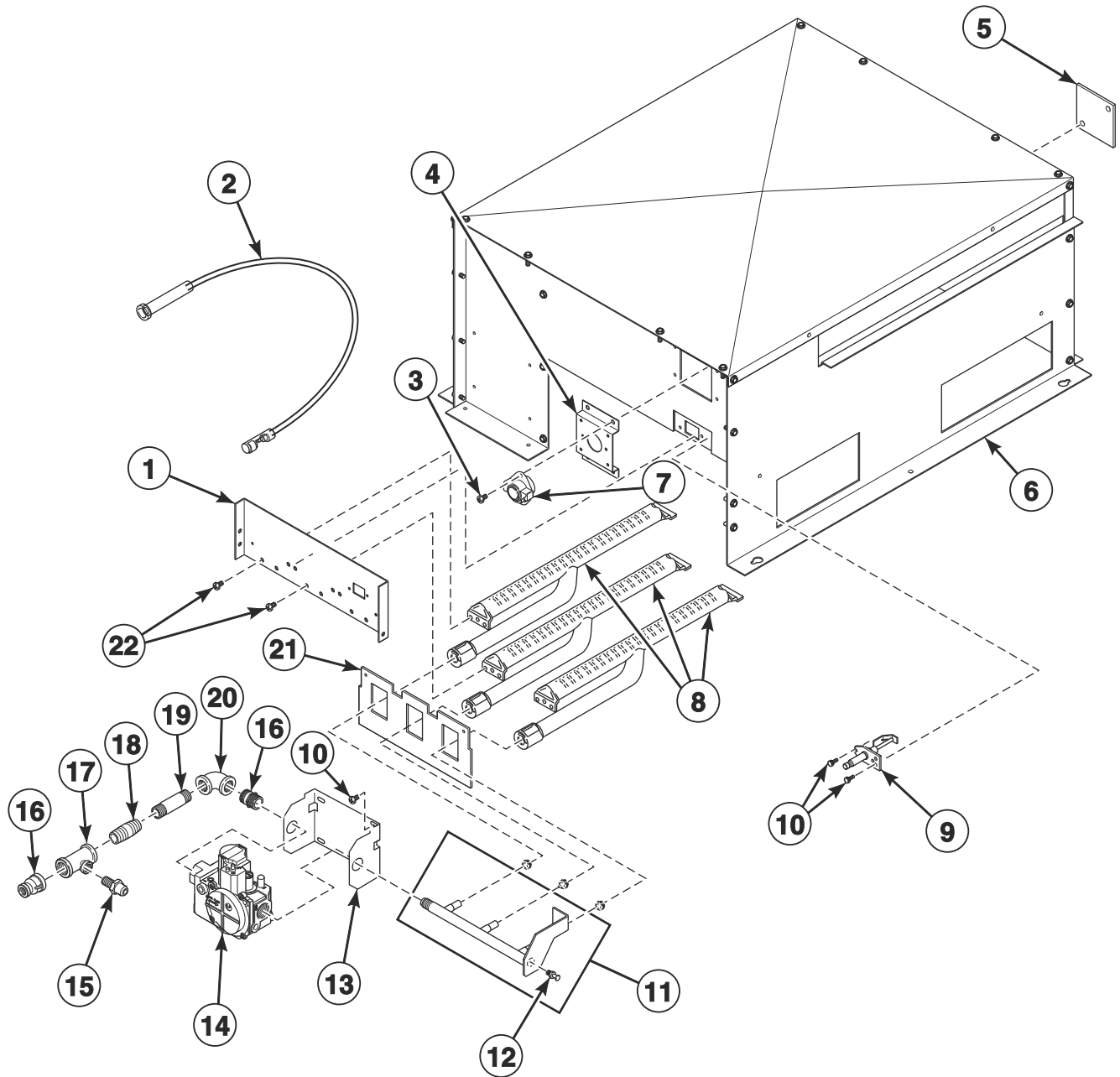


TMB3636P\_70591901

# Airflow Switch Assembly

REF	PART NO.	DESCRIPTION	COMMENTS
	70429602	Airflow Switch Assembly	Includes items 1 and 4-7
1	70411901	Switch	
2	430497	Screw	6 required
3	70356301	Switch Bracket	
4	70319602	Airflow Switch and Arm Bracket	
5	430757	Screw	
6	70319202	Airflow Switch Vane	
7	70319401	Airflow Switch Arm	

# Gas Heater Components

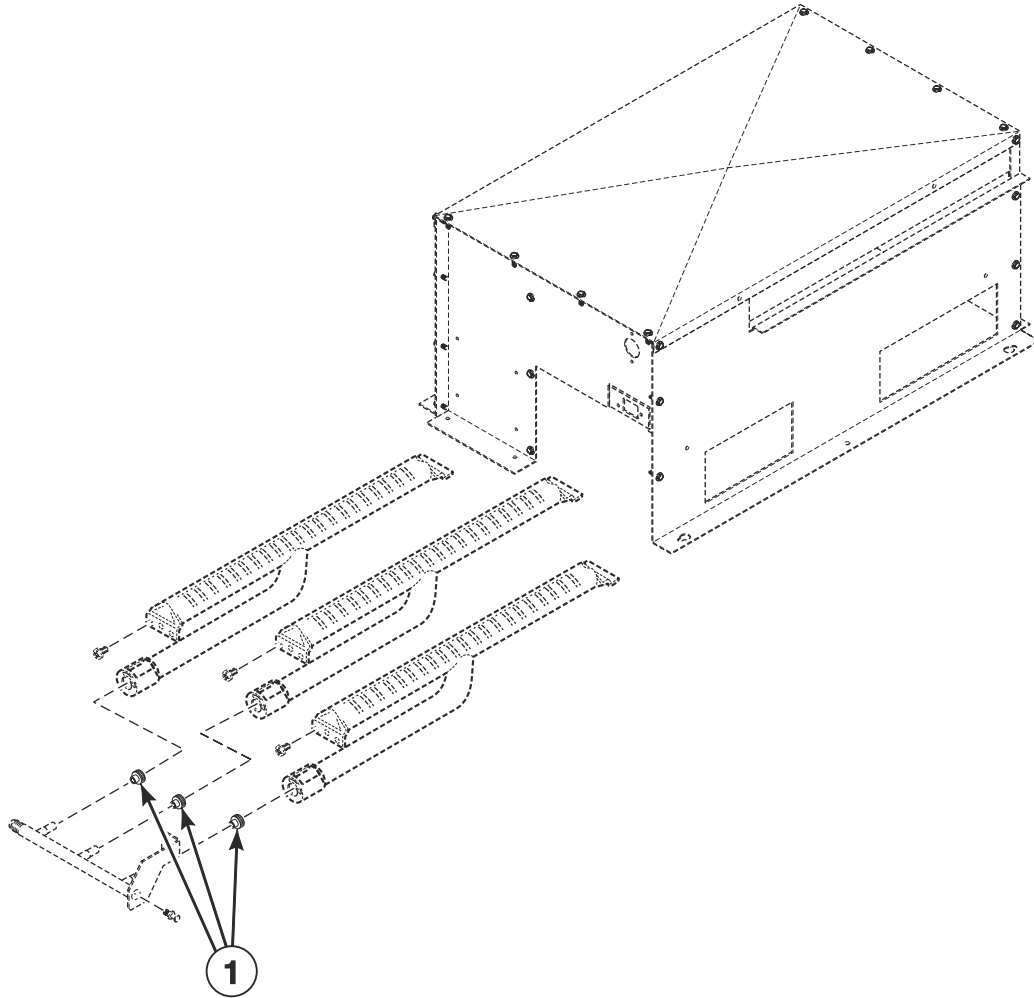


TMB3599P\_70591901

# Gas Heater Components

REF	PART NO.	DESCRIPTION	COMMENTS
	70539501	Notice Label	Australian models; Natural Gas (N.G.)
	70544901	Notice Label	Australian models; Liquid Petroleum Gas (L.P.)
	D503887	Label	Australian models; Gas
	44178801	Adapter	CE and Australian models; Used to convert from standard to metric thread
	44328802	L.P. Conversion Kit	CSA and AGA 75 pound models; 0-2000 feet
	44330302	L.P. Conversion Kit	IEC 75 pound models; 0-2000 feet
	44328803	L.P. Conversion Kit	F75 models
	70346802	Pipe Plug	F75 models
	70564304	Stove Limit Harness	
	44273502	Gas Valve Harness	Double; CE models
	44273501	Gas Valve Harness	Single
	44355101P	Direct Air Kit	
	70500401	Heat Exchanger	
<b>1</b>	44110301	Burner Support	
<b>2</b>	44239705	High Voltage Suppression Cable	
<b>3</b>	M402797	Screw	2 required
<b>4</b>	70356301	Switch Bracket	
<b>5</b>	70159601	Igniter Cover	
<b>6</b>	44135605	Gas Stove Assembly	Includes item 8
<b>7</b>	44328008	Limit Thermostat	
<b>8</b>	M410541P	Burner Assembly	3 required
<b>9</b>	44328701P	Spark Electrode	
<b>10</b>	51782	Screw	2 required
<b>11</b>	44263102	Spud Holder Weldment	
<b>12</b>	70167601	Plug	
<b>13</b>	44175703	Gas Valve Bracket	
<b>14</b>	44154501P	Gas Valve	F75 and CSA models; N.G.
	44154502P	Gas Valve	F75 and CSA models; L.P.
	44298501	Gas Valve	Australian models; N.G.
	44298504	Gas Valve	Australian models; L.P.
	44178301P	Gas Valve	CE models; N.G.
	44178302P	Gas Valve	CE models; L.P.
	44154505	Gas Valve	All other models; N.G.
	44154506	Gas Valve	All other models; L.P.
<b>15</b>	44231601	Pressure Fitting	CE and Australian models
<b>16</b>	M413453	Reducer	F75 models
<b>17</b>	44231901	Pipe Tee	CE and Australian models
<b>18</b>	431486	Pipe Nipple	
<b>19</b>	70263801	Pipe Nipple	CE and Australian models
	70210201	Pipe Nipple	All other models
<b>20</b>	70079601	Elbow	
<b>21</b>	44135201	Rear Access Plate	
<b>22</b>	70240301	Screw	6 required

# Burner Orifices



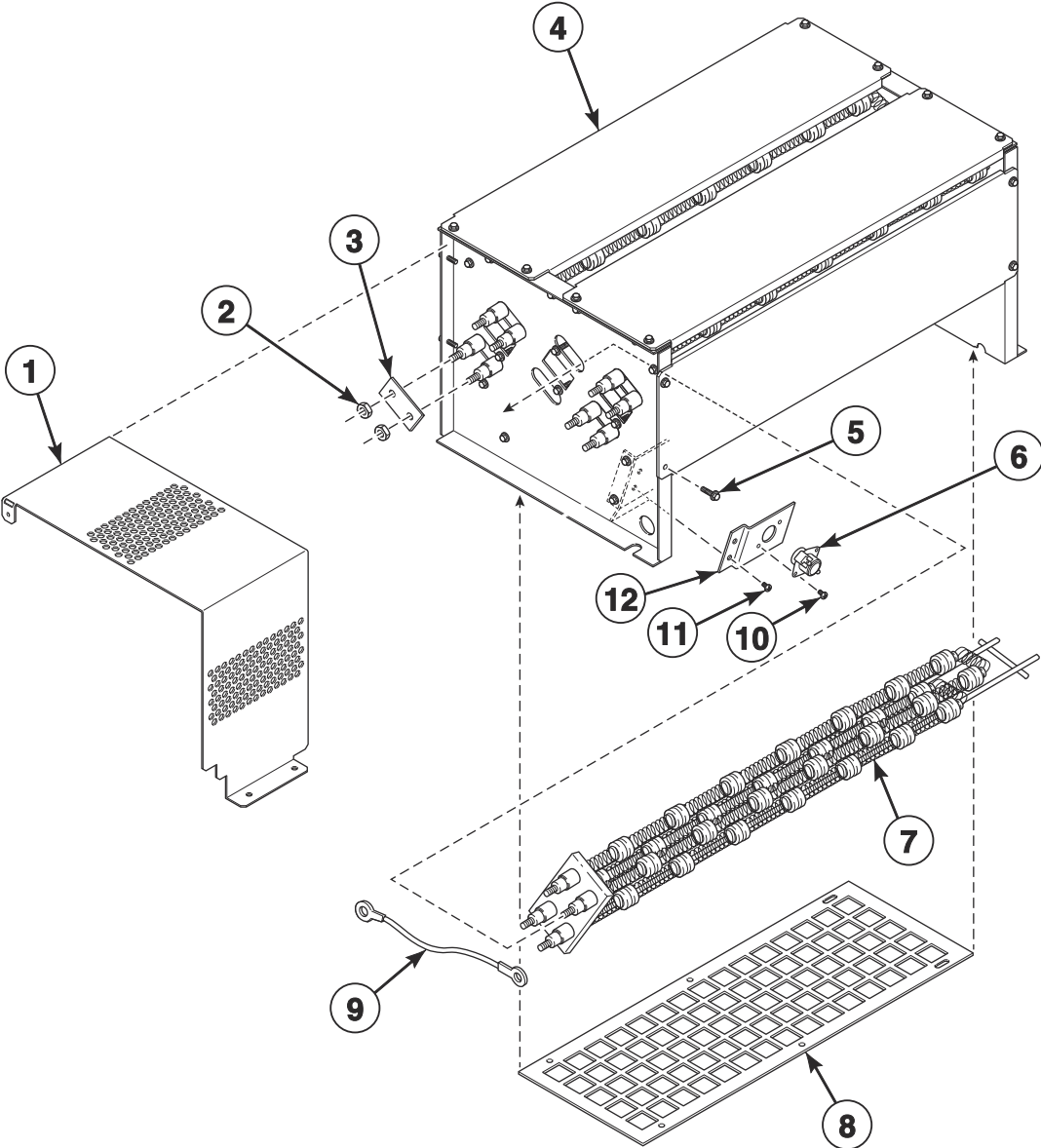
TMB3600P\_70591901



# Burner Orifices

REF	PART NO.	DESCRIPTION	COMMENTS
	44357503	High Altitude Orifice Kit	CSA 75 pound Natural Gas (N.G.) models
	44357504	High Altitude Orifice Kit	CSA 75 pound Liquid Petroleum Gas (L.P.) models
	44357505	High Altitude Orifice Kit	Model UTF75N
	44357506	High Altitude Orifice Kit	Model UTF75L
1	M401014	Burner Orifice	Classic 75 pound models; N.G.; Drill no. 28 (3.57 mm); 0-2,000 feet
	44254001	Burner Orifice	Classic 75 pound models; N.G.; 3.40 mm; 2,001-4,000 feet
	44253801	Burner Orifice	Classic 75 pound models; N.G.; 3.30 mm; 4,001-6,000 feet
	M402489	Burner Orifice	Classic 75 pound models; N.G.; Drill no. 1/8 (3.18 mm); 6,001-8,000 feet
	M401017	Burner Orifice	Classic 75 pound models; N.G.; Drill no. 31 (3.05 mm); 8,001-10,000 feet
	M401011	Burner Orifice	Classic 75 pound models with 2nd digit A, G, H, J, K, L and T; L.P.; Drill no. 44 (2.18 mm); 0-2,000 feet
	M401027	Burner Orifice	Classic 75 pound models with 2nd digit A, G, H, J, K, L and T; L.P.; Drill no. 45 (2.08 mm); 2,001-4,000 feet
	M400999	Burner Orifice	Classic 75 pound models with 2nd digit A, G, H, J, K, L and T; L.P.; Drill no. 47 (1.99 mm); 4,001-6,000 feet
	M401001	Burner Orifice	Classic 75 pound models with 2nd digit A, G, H, J, K, L and T; L.P.; Drill no. 48 (1.93 mm); 6,001-8,000 feet
	M401018	Burner Orifice	Classic 75 pound models with 2nd digit A, G, H, J, K, L and T; L.P.; Drill no. 49 (1.85 mm); 8,001-10,000 feet
	M401016	Burner Orifice	CE classic 75 pound models; L.P.; Drill no. 50 (1.78 mm); 0-2,000 feet
	M401019	Burner Orifice	CE classic 75 pound models; L.P.; Drill no. 51 (1.70 mm); 2,001-4,000 feet
	M401025	Burner Orifice	CE classic 75 pound models; L.P.; Drill no. 52 (1.61 mm); 4,001-6,000 feet
	70070908	Burner Orifice	CE classic 75 pound models; L.P.; Drill no. 1/16 (1.59 mm); 6,001-8,000 feet
	70070907	Burner Orifice	CE classic 75 pound models; L.P.; Drill no. 53 (1.51); 8,001-10,000 feet
	M401003	Burner Orifice	Classic 75 pound J market models; L.P.; Drill no. 46 (2.06 mm); 0-2,000 feet
	M402980	Burner Orifice	Eco models; N.G.; Drill no. 24 (3.86 mm); 0-2,000 feet
	M400998	Burner Orifice	Eco models; N.G.; Drill no. 27 (3.66 mm); 2,001-4,000 feet
	M401014	Burner Orifice	Eco models; N.G.; Drill no. 28 (3.57 mm); 4,001-6,000 feet
	M400997	Burner Orifice	Eco models; N.G.; Drill no. 29 (3.45 mm); 6,001-8,000 feet
	44253801	Burner Orifice	Eco models; N.G.; 3.30 mm; 8,001-10,000 feet
	M401002	Burner Orifice	F75 models; N.G.; Drill no. 20 (4.09 mm); 0-2,000 feet
	M401020	Burner Orifice	F75 models; N.G.; Drill no. 23 (3.91 mm); 2,001-4,000 feet
	M402997	Burner Orifice	F75 models; N.G.; Drill no. 25 (3.80 mm); 4,001-6,000 feet
	M400998	Burner Orifice	F75 models; N.G.; Drill no. 27 (3.66 mm); 6,001-8,000 feet
	70476601	Burner Orifice	F75 models; N.G.; 3.50 mm; 8,001-10,000 feet
	M403017	Burner Orifice	F75 models; L.P.; Drill no. 42 (2.37 mm); 0-2,000 feet
	M406184	Burner Orifice	F75 models; L.P.; Drill no. 43 (2.26 mm); 2,001-4,000 feet
	M401011	Burner Orifice	F75 models; L.P.; Drill no. 44 (2.18 mm); 4,001-6,000 feet
	M401027	Burner Orifice	F75 models; L.P.; Drill no. 45 (2.08 mm); 6,001-8,000 feet
	M400999	Burner Orifice	F75 models; L.P.; Drill no. 47 (1.99 mm); 8,001-10,000 feet

# Electric Heater Components

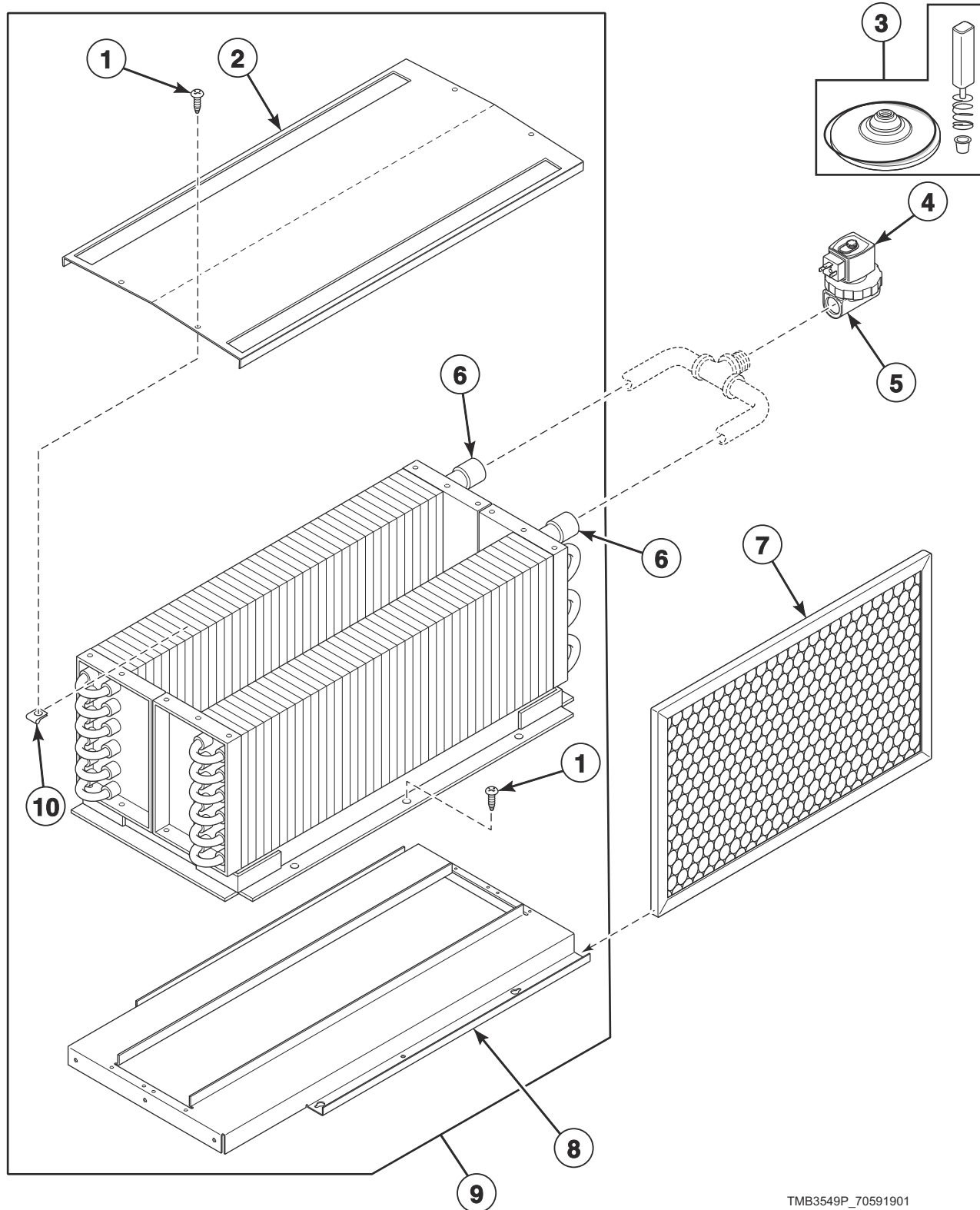


TMB3587P\_70591901

# Electric Heater Components

REF	PART NO.	DESCRIPTION	COMMENTS
	44355101P	Direct Air Kit	
	70500401	Heat Exchanger	
	70564304	Stove Limit Harness	
	44281706	Harness	200-240 Volt; Contactor to element
	44281707	Harness	Contactor element
<b>1</b>	44327302	Electric Wrap	Classic models
	44327301	Electric Wrap	Eco and medium electric models
<b>2</b>	70054	Nut	
<b>3</b>	M400869	Jumper Strip	380-480 Volt 3 required; 200-240 Volt 6 required
<b>4</b>	44242101	Electric Stove Assembly	Classic models
	44252501	Electric Stove Assembly	Eco and medium electric models
<b>5</b>	70240301	Screw	
<b>6</b>	44328006	Limit Thermostat	
<b>7</b>	44232801	Heater Element	Classic models; 3 required; 12 kW; 208 Volt heater element for 200-208 Volt
	44232802	Heater Element	Classic models; 3 required; 12 kW; 220 Volt heater element for 380 and 440 Volt
	44232803	Heater Element	Classic models; 3 required; 12 kW; 240 Volt heater element for 230-240 Volt and 400-415 and 460-480 Volt
	44258701	Heater Element	Eco models; 3 required; 7 kW; 220 Volt heater element for 380 and 440 Volt
	M412955P	Heater Element	Eco models; 3 required; 7 kW; 240 Volt heater element for 230-240, 400-415 or 460-480 Volt
	44263201P	Heater Element	Eco models; 3 required; 7 kW; 208 Volt heater element for 200-208 Volt
	M410939P	Heater Element	Medium electric models; 3 required; 10 kW; 240 Volt heater element for 230-240 Volt, 400-415 and 460-480 Volt
	M410940P	Heater Element	Medium electric models; 3 required; 10 kW; 208 Volt heater element for 200-208 Volt
	M410941P	Heater Element	Medium electric models; 3 required; 10 kW; 220 Volt heater element for 380 and 440 Volt
<b>8</b>	44308802	Heating Element Screen	
<b>9</b>	44281708	Jumper Harness	3 inch; 380-415 Volt 4 required; 440-480 Volt 1 required
	44281709	Jumper Harness	9 inch; 440-480 Volt 1 required
<b>10</b>	33562	Screw	
<b>11</b>	430497	Screw	
<b>12</b>	44226101	Limit Offset Bracket	

# Steam Heater and Valve

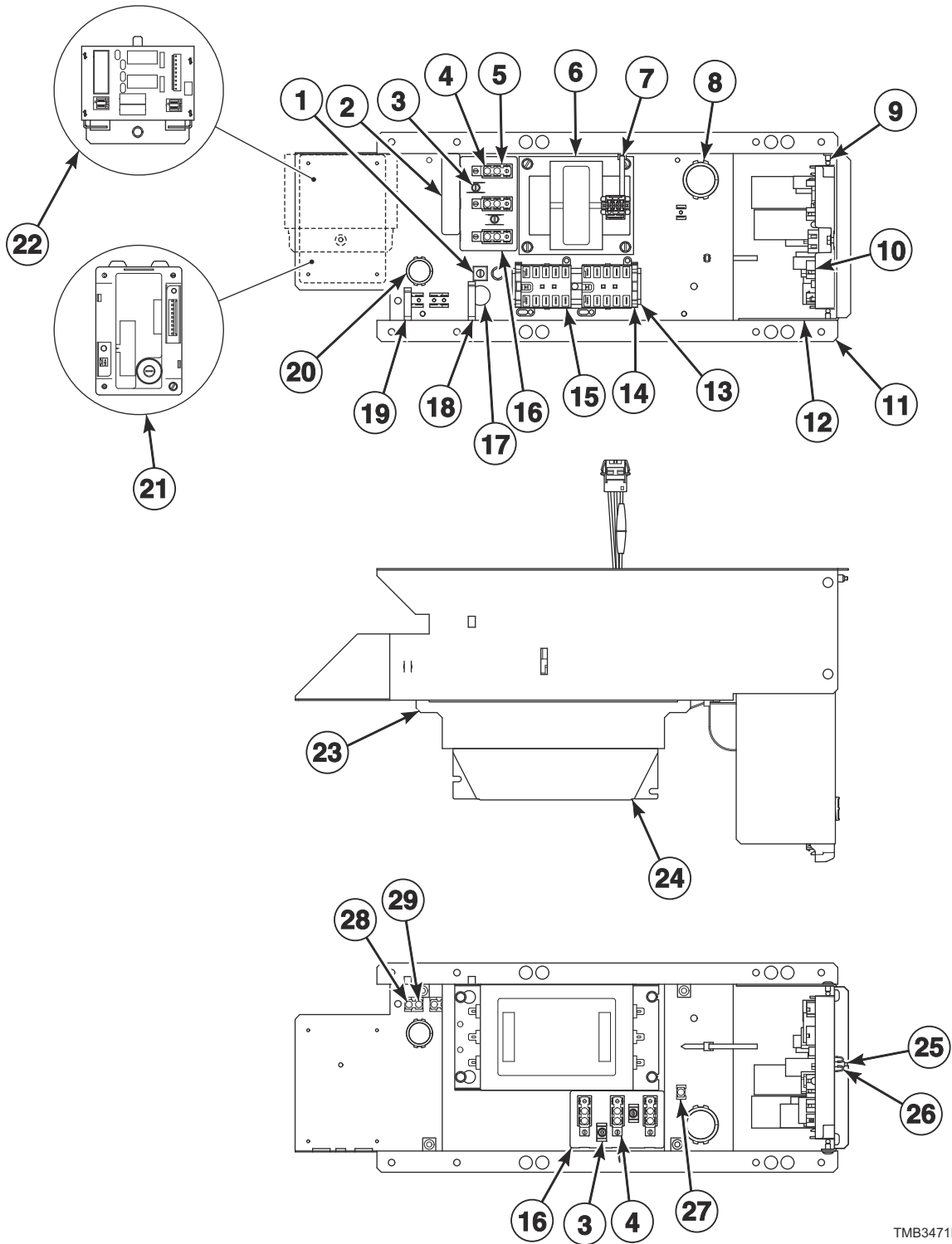


TMB3549P\_70591901

## Steam Heater and Valve

REF	PART NO.	DESCRIPTION	COMMENTS
	70564302	Stove Limit Bypass Harness	
	F8520703	Steam Valve Harness	
	44314701	Steam Adaptor Kit	IEC models
	44304801	Strain Relief	
	F8382301	DIN Valve Adapter Kit	Use with item 5
1	23008	Screw	4 required
2	M400828	Low Pressure Steam Cover	
3	F8379502	Valve Rebuild Kit	
4	F8514701	Coil	120 Volt
	F8514601P	Coil	240 Volt
5	F8322904P	Steam Valve	120 Volt
	F8322906P	Valve	240 Volt
6	M400637P	Steam Coil	2 required
7	44172001	Filter	Aluminum; 2 required; IEC models
	44104201	Air Filter	Fiberglass; 2 required; CSA models
8	44007501	Steam Stand Box	
9	44020402	Steam Heater Assembly	CRN models
	44020401P	Steam Heater Assembly	All other models
10	36020	Nut	4 required

# Control Tray

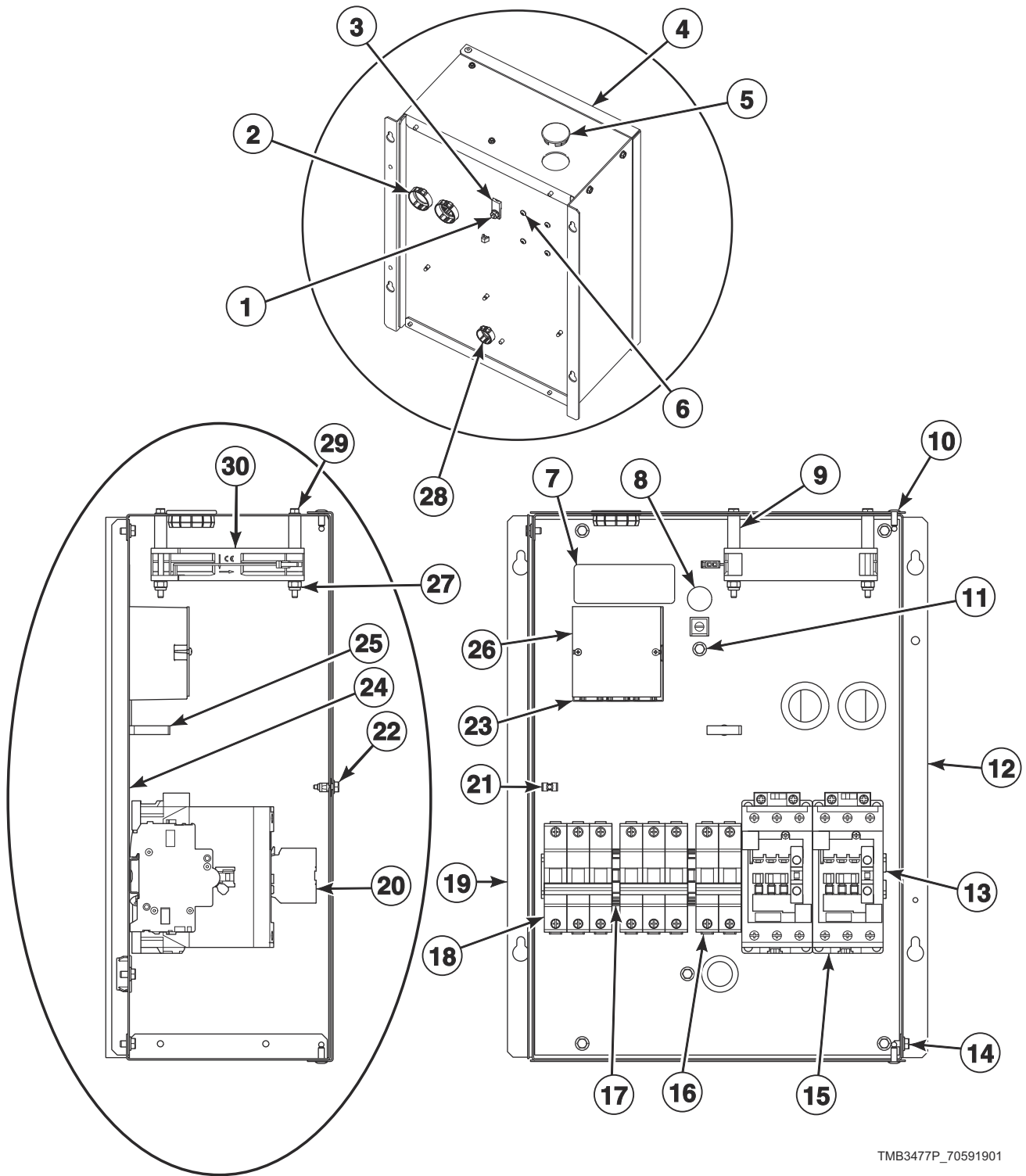


TMB3471P\_70591901

# Control Tray

REF	PART NO.	DESCRIPTION	COMMENTS
	685837	Screw	Use with item 1
	44088001	Nut	Use with item 1
	70559303	Conversion Kit	X to B voltage
	44357401	EMI Filter Kit	CSA 75 pound models; 100-240 Volt
	44357402	EMI Filter Kit	CSA 75 pound models; 380-480 Volt
	44357403	EMI Filter Kit	F75 models; 200-240 Volt
<b>1</b>	M411283	Ground Lug Connector	
<b>2</b>	44286803	Label	L1, L2, L3
	44286801	Label	L1, N
	44286802	Wire Label	L1 L2, L1 N
	44286804	Wire Label	L1 L2, L1 N, L1 L2 L3
<b>3</b>	51783	Screw	
<b>4</b>	430642	Terminal Block	
<b>5</b>	70333001	Terminal Block Shield	
<b>6</b>	F8491101	Transformer	380-480 Volt
<b>7</b>	70335601	Cable Tie	
<b>8</b>	70346501	Bushing	
<b>9</b>	70058501	Pop Rivet	
<b>10</b>	70479201P	I/O Control Assembly	
<b>11</b>	70492401	Control Tray	
<b>12</b>	70494901	Control Board Control Tray	
<b>13</b>	M412690	DIN Rail	
<b>14</b>	F8449801	End Stop	
<b>15</b>	70482601	Contactors	240 Volt or less: 1 required; 380 Volt or higher: 2 required
<b>16</b>	M413862	Insulator	
<b>17</b>	D516100	Label	
<b>18</b>	F8449501	Wire Clip	
<b>19</b>	F8449502	Wire Clip	
<b>20</b>	70178701	Snap Bushing	
<b>21</b>	70482002	Ignition Control	IEC gas models
	70482001	Ignition Control	CSA gas models
<b>22</b>	70501801	Steam Control Assembly	Steam models
<b>23</b>	70533101	Filter Bracket	
<b>24</b>	F8591601	EMI Filter	IEC models; 100-200 and 200-240 Volt/1 Phase
	F8637501	EMI Filter	IEC models; 380-480 Volt
	F8591801	EMI Filter	F75 models; 200-240 Volt/3 Phase
<b>25</b>	F8206901	Screw	
<b>26</b>	70030501	Expansion Clip	
<b>27</b>	00621SG	Male Tab Terminal	
<b>28</b>	M400003	Pop Rivet	
<b>29</b>	00622SG	Terminal	

# Accessory Box - Electric 200-240 Volt Models



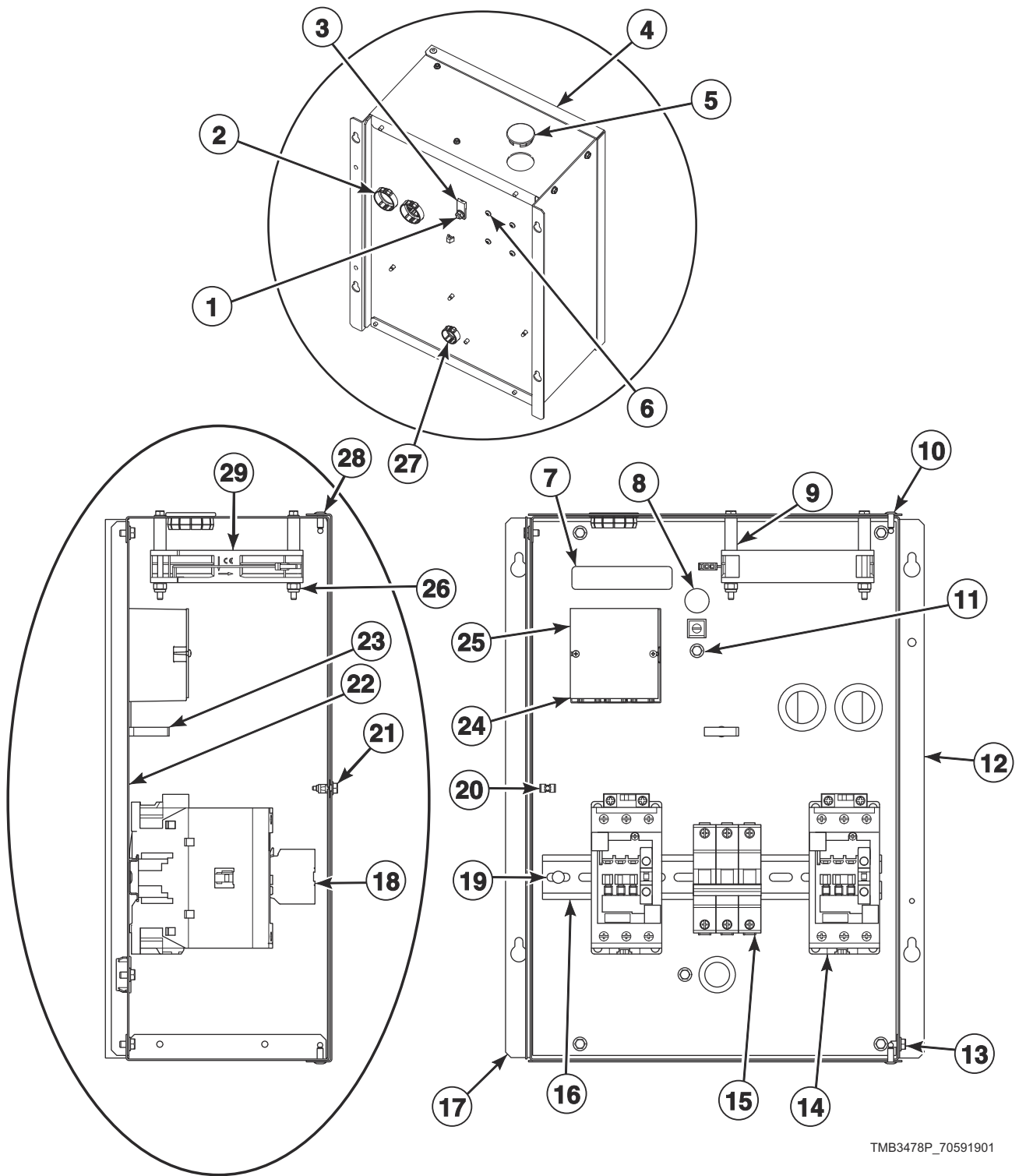
TMB3477P\_70591901



## Accessory Box - Electric 200-240 Volt Models

REF	PART NO.	DESCRIPTION	COMMENTS
	44309003	Harness	CSA models; Power distribution block to control circuit breaker
	44309013	Harness	IEC models; Power distribution block to control circuit breaker
	44281707	Harness	Contactator to element
	44281706	Harness	Contactator to element
	44281703	Harness	Power distribution block to element circuit breaker
	44281701	Harness	Power distribution block to element circuit breaker
<b>1</b>	44088001	Nut	2 required
<b>2</b>	M402542	Snap Bushing	
<b>3</b>	M411283	Ground Lug Connector	
<b>4</b>	44134004	Contactator Box Cover	
<b>5</b>	70180001	Plug	
<b>6</b>	39733	Screw	
<b>7</b>	44286803	Label	3 Phase; L1, L2, L3
<b>8</b>	D516100	Label	
<b>9</b>	44328601	Sleeve	2 required
<b>10</b>	70058502	Pop Rivet	
<b>11</b>	685837	Screw	
<b>12</b>	44292501	Contactator Box Side	Top
<b>13</b>	44229701	DIN Rail	
	70058501	Pop Rivet	
<b>14</b>	51780	Screw	
<b>15</b>	70482801	Contactator	2 required
<b>16</b>	70488102	Circuit Breaker	25 amp
<b>17</b>	F8449801	End Stop	2 required
<b>18</b>	70488104	Circuit Breaker	2 required; 50 amp
<b>19</b>	44292401	Contactator Box Side	Bottom
<b>20</b>	44313201	Auxiliary Contact Block	
<b>21</b>	70030501	Expansion Clip	
<b>22</b>	F8206901	Screw	
<b>23</b>	M413865	Power Distribution Block	
<b>24</b>	44292601	Contactator Box Base Plate	
<b>25</b>	F8449502	Wire Clip	
<b>26</b>	44014901P	Power Distribution Block Cover	
<b>27</b>	F430232	Nut	
<b>28</b>	F140938	Snap Bushing	
<b>29</b>	70546902	Screw	
<b>30</b>	F8504301	Fan	

# Accessory Box - Electric 380-480 Volt Models



TMB3478P\_70591901

## Accessory Box - Electric 380-480 Volt Models

REF	PART NO.	DESCRIPTION	COMMENTS
	44309004	Harness	CSA models; Power distribution block to control circuit breaker
	44309014	Harness	IEC models; Power distribution block to control circuit breaker
1	44088001	Nut	
2	M402542	Snap Bushing	2 required
3	M411283	Ground Lug Connector	
4	44134004	Contactorm Box Cover	
5	70180001	Plug	
6	39733	Screw	
7	44286803	Label	
8	D516100	Label	
9	44328601	Sleeve	2 required
10	70058502	Pop Rivet	
11	685837	Screw	
12	44292501	Contactorm Box Side	Top
13	51780	Screw	
14	70482801	Contactorm	2 required
15	70488101	Circuit Breaker	
16	44229701	DIN Rail	
17	44292401	Contactorm Box Side	Bottom
18	44313201	Auxiliary Contact Block	2 required
19	70058501	Pop Rivet	
20	70030501	Expansion Clip	
21	F8206901	Screw	
22	44292601	Contactorm Box Base Plate	
23	F8449502	Wire Clip	
24	M413865	Power Distribution Block	
25	44014901P	Power Distribution Block Cover	
26	F430232	Nut	
27	F140938	Snap Bushing	
28	70546902	Screw	
29	F8504301	Fan	

## Harnesses

<b>PART NO.</b>	<b>DESCRIPTION</b>	<b>COMMENTS</b>
44316007	Harness	1 Phase
44316008	Harness	3 Phase
44280007	Configuration Harness	120 Volt; Cylinder
44280006	Configuration Harness	120 Volt; Fan
44334308	Contactora Coil Harness	Electric models
44334303	Control Harness	Electric models; 1 Phase
44334304	Control Harness	Electric models; 3 Phase
44356404	Control Tray Harness Assembly	Electric models
44356408	Control Tray Harness Assembly	Steam models
44356403	Control Tray Harness Assembly	Gas models
44334702	Inverter Contactora Coil Harness	Secondary
44281705	Jumper Harness	
44316001	Harness	1 Phase
44316002	Harness	3 Phase
44280010	Motor Contactora Power Harness	1 Phase; EMI
44280012	Motor Contactora Power Harness	3 Phase; EMI
44280001	Motor Contactora Power Harness	1 Phase
44280003	Motor Contactora Power Harness	3 Phase
44280101	Power Harness	
44272101	Power Harness	

# Labels

<b>PART NO.</b>	<b>DESCRIPTION</b>	<b>COMMENTS</b>
44324201	Caution Label	Australian models; Repeat Ignition Reset
44318601	Caution Label	Vent/install
F8614501	Danger Label	Shock; English/French
F8614301	Hot Surface Warning Label	English/French
F8609001	Hot Surface Warning Label	Icon
F8611601	Warning Label	
44318600	Label Kit	Vent/install
F8614500	Label Kit	Shock
F8611600	Warning Label Kit	
44321501	Notice Label	120/240 Volt
70539601	Notice Label	
70534201	Notice Label	
F8609501	Notice Label	
D516073	Notice Label	Read instructions; Icon
70538401	Pinch Warning Label	English/French
F8615701	Pinch Warning Label	Icon
70536401	Warning Label	Lint; Australian models
44324101	Warning Label	Fire; Australian models
44321601	Warning Label	Risk of fire; Icon
44324001	Warning Label	Shock/pinch



# Parts Index

## A

Adapter	
44178801 .....	77
Air Exhaust Deflector	
44308401 .....	73
44308402 .....	73
Air Filter	
44104201 .....	83
Airflow Switch and Arm Bracket	
70319602 .....	75
Airflow Switch Arm	
70319401 .....	75
Airflow Switch Assembly	
70429602 .....	75
Airflow Switch Vane	
70319202 .....	75
Auxiliary Contact Block	
44313201 .....	87, 89

## B

Baffle	
44299001 .....	53
44299801 .....	53
44299802 .....	53
Ball Bearing	
44041901P .....	67, 71
Bearing	
F100136P .....	67
M413923P .....	71
Belt Guard	
44298401 .....	55
44314301 .....	55
44332201 .....	55
Belt Guard Side Panel	
44298301 .....	55
44301101 .....	55
Blind Rivet	
F8245101 .....	49
Blower Assembly	
44267201 .....	73
70302201P .....	73
Blower Housing Scroll	
44303801 .....	73
44303901 .....	73
Blower Inlet Cone	
44305201 .....	73
70303101 .....	73
Blower Motor Mounting Plate	
44311301 .....	73
70380801 .....	73
Bolt	
M400650 .....	67, 71
Bottom Pan	
44298701 .....	53
Burner Assembly	
M410541P .....	77

Burner Orifice	
M400997 .....	79
M400998 .....	79
M400999 .....	79
M401001 .....	79
M401002 .....	79
M401003 .....	79
M401011 .....	79
M401014 .....	79
M401016 .....	79
M401017 .....	79
M401018 .....	79
M401019 .....	79
M401020 .....	79
M401025 .....	79
M401027 .....	79
M402489 .....	79
M402980 .....	79
M402997 .....	79
M403017 .....	79
M406184 .....	79
44253801 .....	79
44254001 .....	79
70070907 .....	79
70070908 .....	79
70476601 .....	79

Burner Support	
44110301 .....	77
Bushing	
70346501 .....	85
Bypass Harness	
44334103 .....	39, 53

## C

Cable Tie	
70335601 .....	85
Cam and Hinge Kit	
M4772P3 .....	61
M4773P3 .....	61
Caution Label	
44318601 .....	91
44324201 .....	91
Center Hinge Lug Assembly	
70640401 .....	63
Center Pan	
44298601 .....	53
Central Pay Board Harness	
44355604 .....	35
Central Pay Harness	
44342801 .....	21
44355602 .....	35
44355605 .....	35
Central Pay Kit	
44359001 .....	35
44359003 .....	35
Circuit Breaker	
70488101 .....	89
70488102 .....	87
70488105 .....	87
Circuit Plug Housing, 1	
44370401 .....	69

N/A items do not appear in index.

Coil			Control Assembly	
F8514601P .....	83		70478801P .....	21, 23
F8514701 .....	83		70478802 .....	27
Coin Box			70478901 .....	23
F160673P .....	53		70478902 .....	27
Coin Chute Assembly			70479801 .....	19
70296401 .....	53		70479901 .....	19
Coin Drop			70523001 .....	23
38963P .....	31		70523002 .....	27
39748 .....	31		70523101 .....	19
70441601 .....	31		70543104 .....	29
70441603 .....	31		Control Board Control Tray	
Coin Drop Assembly			70494901 .....	85
201141 .....	31		Control Box Assembly	
210195 .....	31		44180101 .....	15
210196 .....	31		Control Box Base	
38462P .....	31		44065301 .....	17
38463 .....	31		Control Box Cover	
38467 .....	31		44065201 .....	17
38519 .....	31		Control Box Housing	
70281102 .....	31		44306701 .....	17
70283102 .....	31		Control Box Top	
70441602 .....	31		44307101 .....	17
70447301 .....	31		Control Door and Studs Assembly	
70471601 .....	31		70570201 .....	29
70482401 .....	31		Control Door Latch	
70506901 .....	31		431318 .....	53
Coin Drop Kit			Control Harness	
CK077 .....	31		44334303 .....	90
CK122 .....	33		44334304 .....	90
Coin Identification Paper			44334404 .....	17
38464P .....	31		Control Panel	
38475 .....	31		44000122* .....	41
38725 .....	31		44000125 .....	41
Coin Meter			44000130DG .....	41
F0160737-00 .....	31		44040005* .....	41
Coin Vault and Emergency Stop Mount Assembly			44040008B .....	41
70529502 .....	53		44040011* .....	41
Coin Vault Assembly			44040013 .....	41
70529501 .....	53		44040014 .....	41
Coin Vault Switch Harness			44040015LG .....	41
44334101 .....	39, 53		44367103 .....	43
Cold Weather Kit			44367106W .....	43
44340301 .....	17		44368001 .....	43
Configuration Harness			44368002 .....	43
44280006 .....	90		44368003W .....	43
44280007 .....	90		44368004W .....	43
Contact Base			Control Plate	
F8538101 .....	37		70497101 .....	19, 27
Contact Switch			Control Plate and Studs Assembly	
F8069501 .....	37		70496601 .....	21, 23
Contactors			Control Plate Assembly	
70482601 .....	85		70497201 .....	21, 23
70482801 .....	87, 89		Control Tray	
Contactors Box Base Plate			70492401 .....	85
44292601 .....	87, 89		Control Tray Cover	
Contactors Box Cover			70507501 .....	55
44134004 .....	87, 89		Control Tray Harness Assembly	
Contactors Box Side			44356403 .....	90
44292401 .....	87, 89		44356404 .....	90
44292501 .....	87, 89		44356408 .....	90
Contactors Coil Harness			Control Trim	
44334308 .....	90		44016401 .....	39
Control			70529401 .....	39
70511601 .....	17		Conversion Kit	
			70559303 .....	85

N/A items do not appear in index.



Cylinder and Trunnion Assembly	
44195701P .....	65
44195702P .....	65
44195705P .....	65
44195706 .....	65
Cylinder Assembly	
44198301P .....	65
44198302 .....	65
Cylinder Kit	
44057201P .....	65
44057301P .....	65
Cylinder Rib Assembly	
44191202 .....	65

## D

Damper Assembly	
44280301 .....	73
44280302 .....	73
Danger Label	
F8614501 .....	91
DIN Rail	
M412690 .....	85
44229701 .....	87, 89
DIN Valve Adapter Kit	
F8382301 .....	83
Direct Air Kit	
44355101P .....	77, 81
Door Assembly	
44028906 .....	57
44028907 .....	57
44028908 .....	57
44058105 .....	57
44058106 .....	57
44058107 .....	57
44058108 .....	57
44266703 .....	57
44266704 .....	57
44292302B .....	57
44292302LG .....	57
44354701 .....	57
44354702 .....	57
44354703 .....	57
44354704 .....	57
44354705 .....	57
44354706 .....	57
44354707 .....	57
44354708 .....	57
Door Catch Kit	
70482901 .....	39
Door Glass	
44008401P .....	59
44008402P .....	59
44008403 .....	59
44008404 .....	59
44008405 .....	59
Door Glass Installation Tool	
M4221P4 .....	59
Door Glass Label	
70650401 .....	59
Door Handle	
44007901 .....	59
44263801 .....	59
44370601 .....	59
70521102 .....	59

Door Hinge Assembly	
44075203* .....	61
44075208B .....	61
44075208LG .....	61
44075211 .....	61
44366602LG .....	63
44366604 .....	63
44366608 .....	63
Door Hinge Lug Assembly	
44035001 .....	61
44035002 .....	61
Door Hinge Assembly	
44366606W .....	63
Door Latch	
M401223 .....	39
Door Ring and Handle Assembly	
44326007B .....	59
44326007LG .....	59
Door Ring Assembly	
44326001 .....	59
44326002 .....	59
44326004B .....	59
44326005 .....	59
44326006 .....	59
Door Ring Gasket	
44008201P .....	59
70296802 .....	59
Door Seal Kit	
70211902P .....	59
Door Switch Actuator Kit	
70215001P .....	61
Door Switch Harness	
44271502 .....	39
Drive Motor	
44259501P .....	71
44259601P .....	71
44259701P .....	71
44259801P .....	71
Drive Rivet	
M400713 .....	17

## E

Elbow	
70079601 .....	77
Electric Stove Assembly	
44242101 .....	81
44252501 .....	81
Electric Wrap	
44327301 .....	81
44327302 .....	81
Electronic Coin Drop Assembly	
70294107 .....	31
70513302 .....	31
70513303 .....	31
70513304 .....	31
70513306 .....	31
70513308 .....	31
70513309 .....	31
70513310 .....	31
70513311 .....	31
70513312 .....	31
70513313 .....	31
70513314 .....	31
70513315 .....	31

N/A items do not appear in index.

70513316 .....	31
Electronic Coin Drop Kit	
CK099 .....	33
CK100 .....	33
CK101 .....	33
CK108 .....	33
CK109 .....	33
CK110 .....	33
CK113 .....	33
CK115 .....	33
CK116 .....	33
CK117 .....	33
CK118 .....	33
CK119 .....	33
CK120 .....	33
CK121 .....	33
Emergency Stop Button Kit	
70580301 .....	37
Emergency Stop Bypass Harness	
F8519403 .....	37
Emergency Stop Harness	
44272401 .....	37
Emergency Stop Interconnect Harness	
44272106 .....	37
Emergency Stop Label	
44012901 .....	37
44012903 .....	37
Emergency Stop Mounting Bracket	
70550401 .....	37
Emergency Stop Pushbutton	
F200233500 .....	37
EMI Filter	
F8591601 .....	85
F8591801 .....	85
F8637501 .....	85
EMI Filter Kit	
44357401 .....	85
44357402 .....	85
44357403 .....	85
End Stop	
F8449801 .....	85, 87
Ethernet Gateway Kit	
NK320 .....	35
Exhaust Pipe Assembly	
44327901 .....	73
Expansion Clip	
70030501 .....	21, 23, 35, 39, 85, 87, 89
Extension Spring	
F8440701 .....	71

---

## F

Fan	
F8504301 .....	87, 89
Fan Motor	
44259301P .....	73
44259401P .....	73
70478701P .....	73
70484901P .....	73
Fan Spacer	
70599301 .....	73
FCC-IC Label	
F8613201 .....	35

Felt Pad	
M402144 .....	65
Fill Hose	
202799 .....	17
Filter	
44172001 .....	83
Filter Bracket	
70533101 .....	85
Filter Mounting Plate	
70551701 .....	17
Front Panel	
44052503* .....	45
44052505* .....	45
44052517LG .....	45
44052520DG .....	45
44052522 .....	45
44052525* .....	45
44052526DG .....	45
44052527 .....	45
44052528 .....	45
44052529 .....	45
44052530DG .....	45
44052530LG .....	45
44077919 .....	45
44367401W .....	47
44367403 .....	47
44367404W .....	47
44367406 .....	47
44367407W .....	47
44367408LG .....	47
44367409 .....	47
F43113173	

## G

Gas Stove Assembly	
44135605 .....	77
Gas Valve	
44154501P .....	77
44154502P .....	77
44154505 .....	77
44154506 .....	77
44178301P .....	77
44178302P .....	77
44298501 .....	77
44298504 .....	77
Gas Valve Bracket	
44175703 .....	77
Gas Valve Harness	
44273501 .....	77
44273502 .....	77
Gasket	
70289101P .....	49
Gateway	
205223P .....	35
Ground Lug Connector	
M411283 .....	85, 87, 89
Guard Panel	
44269201 .....	55
44269202 .....	55
44332301 .....	55

N/A items do not appear in index.

---

## H

Handle and Caps Assembly	
70154405P .....	49
70154415 .....	49
Handle Bumper	
70407210 .....	49
Harness	
F8617901 .....	29
44281701 .....	87
44281703 .....	87
44281706 .....	81, 87
44281707 .....	87
44309003 .....	87
44309004 .....	89
44309013 .....	87
44309014 .....	89
44316002 .....	90
44316007 .....	90
44316008 .....	90
Harness Adapter Plate	
70523301 .....	17
Harness Mounting Plate	
70307007 .....	15, 35
Harness Strap	
55881 .....	69
Heat Exchanger	
70500401 .....	77, 81
Heater Element	
M410939P .....	81
M410940P .....	81
M410941P .....	81
M412955P .....	81
44232801 .....	81
44232802 .....	81
44232803 .....	81
44258701 .....	81
44263201P .....	81
Heating Element Screen	
44308802 .....	81
High Altitude Orifice Kit	
44357503 .....	79
44357504 .....	79
44357505 .....	79
44357506 .....	79
High Voltage Suppression Cable	
44239705 .....	77
Hold-Down Clip	
35865 .....	51
Hose	
44073304 .....	17
Hose Clamp	
36801 .....	17
Hose Fitting	
44069101 .....	17
Hot Surface Warning Label	
F8609001 .....	91
F8614301 .....	91
Housing and Trunnion Assembly	
M4644P3 .....	67
44336302 .....	67

---

## I

Idler Shaft	
44303102 .....	71
Idler Spacer	
44306801 .....	71
Igniter Cover	
70159601 .....	77
Ignition Control	
70482001 .....	85
70482002 .....	85
Insulation	
44150102 .....	53
44150105 .....	41, 53
Insulator	
M413862 .....	85
Interconnect Harness	
44334401 .....	17
Inverter Contactor Coil Harness	
44334702 .....	90
Inverter Motor Harness	
44335304 .....	71
44335305 .....	71
I/O Control Assembly	
70479201P .....	85

---

## J

Jumper Harness	
44281705 .....	90
44281708 .....	81
44281709 .....	81
Jumper Strip	
M400869 .....	81

---

## K

Key	
M400008 .....	65, 71
44309301 .....	71
70155601 .....	17, 39
70155602 .....	39
Kickplate	
70117607 .....	49
70117619 .....	49

---

## L

Label	
D503887 .....	77
D516100 .....	85, 87, 89
44190901 .....	45
44286801 .....	85
44286803 .....	85, 87, 89
44318201 .....	17
70537001 .....	45, 47
Label Kit	
F8614500 .....	91
44318200 .....	17
44318600 .....	91

N/A items do not appear in index.

44324500 .....	17
70534400 .....	45
Lanyard Cable	
F8521303 .....	43
Latch Mounting Bracket	
44003201 .....	53
Light	
801432 .....	17
Limit Offset Bracket	
44226101 .....	81
Limit Thermostat	
44328003 .....	73
44328006 .....	81
44328008 .....	77
70530905 .....	73
Lint Bracket	
44325301 .....	51
Lint Clip Bracket	
44140202 .....	51
Lint Panel	
44293601* .....	49
44293602 .....	49
44293603LG .....	49
44293604DG .....	49
44293605 .....	49
44293606W .....	49
44298101 .....	51
44298102 .....	51
44298201 .....	51
44300901 .....	51
Lint Screen	
44063601 .....	51
Lint Screen Clip	
H96418413 .....	51
Lint Screen Top Rail	
44298901 .....	51
Lock, Key and Nut Kit	
44089301P .....	17, 39
44089302P .....	39
Logo Label	
567887 .....	41
Low Pressure Steam Cover	
M400828 .....	83
Lower Hinge Gusset	
70632002 .....	63
Lower Lug Assembly	
70639302 .....	63
Lower Rear Panel	
44297101 .....	53
44300001 .....	53
Lug Mount Bracket	
70634301 .....	47
L.P. Conversion Kit	
44328802 .....	77
44328803 .....	77
44330302 .....	77

## M

Machine ID Control Assembly	
203361P .....	21, 23, 27, 29
Magnet	
70343101 .....	49

Magnet Bracket	
44290501 .....	49
Main Harness	
44316001 .....	90
44334201 .....	15
Male Tab Terminal	
00621SG .....	85
Micro V Pulley	
44270201 .....	71
Mixing Valve	
70519801 .....	17
Mixing Valve Shield Bracket	
44306601 .....	17
Moisture Sensing Harness Kit	
44344702 .....	69
Moisture Sensor Harness	
44333902 .....	69
Motor Conduit Bracket	
44317901 .....	71, 73
Motor Contactor Power Harness	
44280001 .....	90
44280003 .....	90
44280010 .....	90
44280012 .....	90
Motor Pivot Bracket Weldment	
44327001 .....	71
Motor Pivot Gusset Bracket	
44325701 .....	71
Motor Pivot Plate Weldment	
44311501 .....	71
Motor Pivot Support Bracket	
44325801 .....	71
Motor Pulley	
44267601 .....	71
70559102 .....	71
Mount Bracket	
44308701 .....	17
Mounting Plate	
70208801 .....	21, 23

## N

Nameplate	
F8443106 .....	41
F8688001 .....	41
F8688901 .....	41, 43
44010601 .....	41
70541801 .....	41
Nameplate Bezel	
70117401 .....	41
Notice Label	
D516073 .....	91
F8609501 .....	91
44321501 .....	91
70534201 .....	91
70539501 .....	77
70539601 .....	91
Notice label	
70544901 .....	77
Nut	
F430232 .....	87, 89
M400022 .....	73
M400026 .....	67, 71
M400034 .....	73

N/A items do not appear in index.

M400035	69
M400977	39, 41
M404993	65
M414215	59
21899	53
23951	49
36020	83
44071201	29
44088001	59, 61, 63, 85, 87, 89
44333202	71
51236	49
70030401	47
70054	81

## O

Opto Coupler	
200674P	31
Overlay	
F8205101	21, 23
F8696101	21, 23
F8696201	23
F8696301	21, 23
F8696302	21, 23
70295101	23
70512004	25
70512005	25
70512006	25
70512007	25
70512008	25
70516801	19
70516802	19
70517001	25
70517002	25
70517003	25
70517004	25
70517005	25
70517801	19
70517802	19
70518101	23
70518102	23
70518201	25
70518202	25
70518203	25
70519001	19
70519002	19
70539101	19
70539102	19
70541201	25
70541202	25
70541203	25
70544701	21
70544702	21
70544703	21
70545501	19
70545502	19
70548801	27
70548802	27
70556201	23
70556301	23
70556401	23
70556402	23
70556501	21, 23
70556502	21, 23
70556601	23
70556701	23
70556801	23

70556901	23
70557001	21, 23
70557002	21, 23
70559001	25
70570301	21
70570302	21
70570303	21
70570601	27
70570602	27
70570801	27
70570802	27
70571001	25
70571002	25
70571003	25
70571101	25
70571102	25
70571103	25
70571401	27
70571402	27
70571601	27
70571602	27
70595401	29
70626301	25
70626302	25
70626303	25
70636101	21
70636102	21
70636103	21
70636201	25
70636202	25
70636203	25
70636204	25
70636205	25
70636302	25
70636303	25
70636401	27
70636402	27
70636501	19
70636502	19
70637601	25
70637602	25
70637603	25
70637604	25
70637605	25
70638201	21
70638202	21
70638203	21
70638301	27
70638302	27
70638701	19
70638702	19
70638801	19
70638802	19
70638901	27
70638902	27
70639001	29
70645601	23
70645701	23
70645801	23
70645901	23
70646001	21, 23
70646002	21, 23
70646101	23
70646102	23

N/A items do not appear in index.

---

**P**

Panel Locator	
56079 .....	39
Panel Lock	
44089304 .....	39
44089305 .....	39
Payment Center Kit	
205067 .....	35
205068 .....	35
205069 .....	35
205070 .....	35
Pinch Warning Label	
F8615701 .....	91
70538401 .....	91
Pipe Bracket	
44327601 .....	55
Pipe Nipple	
431486 .....	77
70210201 .....	77
70263801 .....	77
Pipe Plug	
70346802 .....	77
Pipe Tee	
44231901 .....	77
Plug	
70167601 .....	77
70180001 .....	17, 87, 89
Pop Rivet	
M400003 .....	39, 53, 85
70058501 .....	47, 49, 53, 61, 63, 85, 87, 89
70058502 .....	87, 89
70126301 .....	49
70126401 .....	49
Porcelain Touch-Up Paint	
122P4P .....	53
370P4P .....	53
Power Distribution Block	
M413865 .....	87, 89
Power Distribution Block Cover	
44014901P .....	87, 89
Power Harness	
44272101 .....	90
44280101 .....	90
Power Sensor Harness	
44334402 .....	17
Pressure Fitting	
44231601 .....	77
Pulley	
44289502 .....	71
Pushbutton Switch	
70413301 .....	19, 21, 23, 27, 39
Push-to-Start Switch	
801434W .....	17

---

**R**

Rear Access Plate	
44135201 .....	77
Reducer	
M413453 .....	77

Reed Switch Assembly	
F8066804 .....	49
Rib Rod	
M404992 .....	65
Rib Wire	
44208601 .....	69
Roller Bracket Assembly	
70404001 .....	49
Roller Catch Arm	
70030301 .....	49
Roller Catch Spacer	
70030201 .....	49
Roller Catch Wheel	
70297601 .....	49

---

**S**

Screw	
F8206901 .....	35, 85, 87, 89
M400044 .....	61
M400063 .....	67
M400661 .....	59
M402797 .....	77
M411072 .....	21, 23, 39
23008 .....	83
33562 .....	29, 81
39733 .....	87, 89
430497 .....	15, 17, 53, 75, 81
430757 .....	49, 75
431287 .....	53
44338901 .....	69
44349101 .....	63
51780 .....	17, 35, 53, 87, 89
51782 .....	77
51783 .....	85
685837 .....	85, 87, 89
70033502 .....	39, 61
70072801 .....	49
70132301 .....	49
70182601 .....	39, 47
70187201 .....	67, 71
70240301 .....	77, 81
70247701 .....	53
70275801 .....	39
70409801 .....	61
70442101 .....	59, 61, 69
70546902 .....	87, 89
70640201 .....	63
70640301 .....	63
802822 .....	63
804608 .....	17, 19, 21, 23, 27, 29
805213 .....	71
Sensor Harness	
44334406 .....	17
Shaft Collar	
70467001 .....	71
Shaft Wire	
44208702 .....	69
Shield	
44326801 .....	17
Shock Warning Label	
F8614201 .....	17
F8614401 .....	17
Side Panel	
44299401DG .....	53

N/A items do not appear in index.

44299401LG .....	53
44299401* .....	53
44299501DG .....	53
44299501LG .....	53
44299501*P .....	53
44367701LG .....	53
44367701W .....	53
44367801LG .....	53
44367801W .....	53
Sleeve	
44328601 .....	87, 89
Slip Ring Assembly	
44222702 .....	69
Slip Ring Holder	
44224401 .....	69
Slot Card Plate Assembly	
44089501 .....	21, 23
Snap Bushing	
F140938 .....	87, 89
M402542 .....	87, 89
70178701 .....	85
Spacer	
M401402 .....	65
Spark Electrode	
44328701P .....	77
Spray Paint	
298P4P .....	53
Spud Holder Weldment	
44263102 .....	77
Steam Adaptor Kit	
44314701 .....	83
Steam Coil	
M400637P .....	83
Steam Control Assembly	
70501801 .....	85
Steam Heater Assembly	
44020401P .....	83
44020402 .....	83
Steam Stand Box	
44007501 .....	83
Steam Valve	
F8322904P .....	83
Steam Valve Harness	
F8520703 .....	83
Stove Grate	
44300301 .....	55
44300302 .....	55
44335601 .....	55
Stove Limit Bypass Harness	
70564302 .....	83
Stove Limit Harness	
70564304 .....	77, 81
Strain Relief	
44304801 .....	83
Switch	
70411901 .....	75
Switch Bracket	
44296101 .....	49
70356301 .....	75, 77
Switch Hole Plug	
44057801B .....	39
44057801LG .....	39
44057801Q .....	39
44057801W .....	39

---

## T

Terminal	
00622SG .....	85
Terminal Block	
430642 .....	85
Terminal Block Shield	
70333001 .....	85
Thermistor	
M414704 .....	73
44064701 .....	53
Thermistor Plate	
44068101 .....	53
44068102 .....	53
Thimble Assembly	
44305002 .....	73
Top Cover	
44139301 .....	53
Top Cover Pan	
44129301P .....	53
Top Pan	
44300101 .....	53
Top Panel Bracket	
44368201 .....	53
Transformer	
F8491101 .....	85
202757 .....	35, 53
202758 .....	35, 53
Transformer Harness	
44272301 .....	35, 53
44272302 .....	35, 53
Trunnion and Bearing Assembly	
M4640P3 .....	67
44336301 .....	67
Trunnion Assembly	
44207901 .....	65
44208001 .....	65
Trunnion Housing	
M413826 .....	71
Trunnion Housing Assembly	
M413832 .....	67, 71
Tumbler Dolly Kit	
M4379P4 .....	39

---

## U

Upper Hinge Gusset	
70632001 .....	63
Upper Lug Assembly	
70639301 .....	63
Upper Rear Panel	
44297001 .....	53
USB Bracket	
70547001 .....	29
USB Gateway Kit	
NK330 .....	35
USB IR Interface Kit	
203346 .....	35
USB-Serial Interface Assembly	
203440 .....	29

N/A items do not appear in index.

---

## V

Valve	
F8322906P .....	83
Valve Rebuild Kit	
F8379502 .....	83
V-Belt	
44309402 .....	71
44333301 .....	71
Vend Activation Harness	
44334004 .....	19, 21, 23, 27

---

## W

Warning Label	
F8611601 .....	91
44321601 .....	91
44324001 .....	91
44324101 .....	91
44324501 .....	17
44324502 .....	17
70534401 .....	45, 47
70534402 .....	45, 47
70534405 .....	45, 47
70536401 .....	91
Warning Label Kit	
F8611600 .....	91
Washer73	
F431131 .....	73
M400015 .....	65, 67
20103 .....	67, 71
44238902 .....	69
70261401 .....	67, 71
Water Valve Harness	
44334405 .....	17
Wire Clip	
F8449501 .....	85
F8449502 .....	85, 87, 89
Wire Guard	
201595P .....	31
Wire Label	
44286802 .....	85
44286804 .....	85
Wireless Control Label	
204692 .....	35
Wireless Network Board Harness	
F8536002 .....	35
Wireless Network Control Assembly	
203532 .....	35
807211 .....	35
Wireless Network Harness	
F8674006 .....	35
Wireless Network Kit	
70596301 .....	35
70609701 .....	35
Wireway Channel	
44239101 .....	69

---