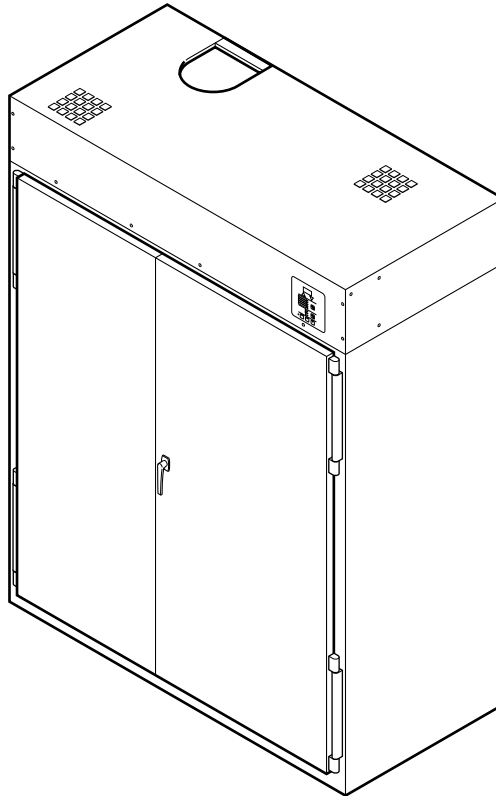


# Gear Cabinet

Models Starting Serial No. 1103000001

Refer to Page 3 for Model Numbers



GER1C\_FR004039



# Table of Contents

| Title                                      | Page |
|--|------|
| Parts Ordering Information.....            | 2    |
| Serial Plate Location .....                | 2    |
| Model Identification .....                 | 3    |
| Main Assembly.....                         | 4    |
| Bonnet Assembly .....                      | 6    |
| DMP Control Board.....                     | 8    |
| Door Assemblies and Components .....       | 10   |
| Heater Assembly.....                       | 12   |
| Control Tray - Non-CE 1 Phase Models ..... | 14   |
| Control Tray - Non-CE 3 Phase Models ..... | 16   |
| Control Tray - CE 3 Phase Models .....     | 18   |
| Parts Index.....                           | 21   |

© Copyright 2020, Alliance Laundry Systems LLC

All rights reserved. No part of the contents of this book may be reproduced or transmitted in any form or by any means without the expressed written consent of the publisher.

## Parts Ordering Information

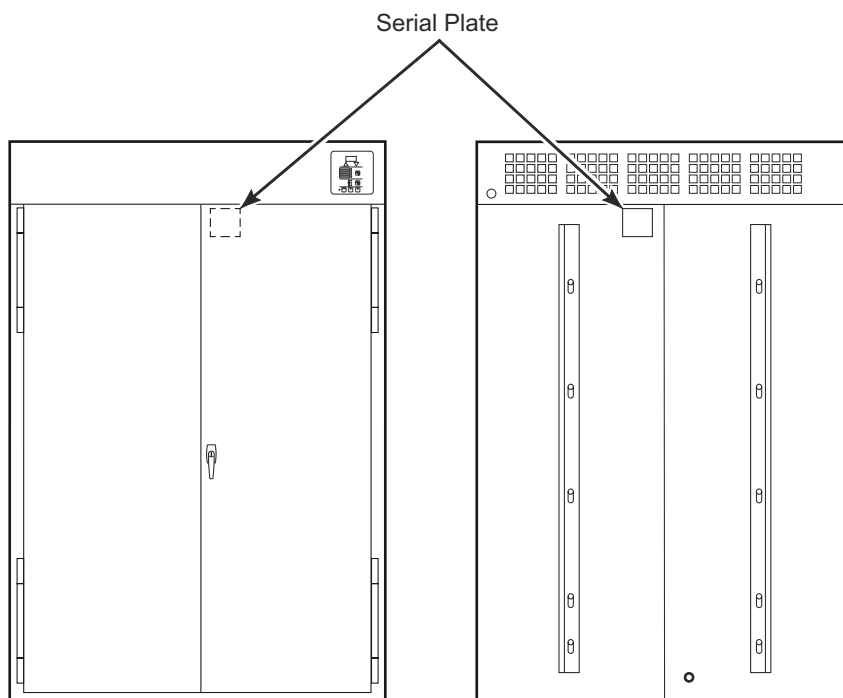
If literature or replacement parts are required, contact the source from whom the machine was purchased or contact Alliance Laundry Systems at (920) 748-3950 for the name and address of the nearest authorized parts distributor.

For technical assistance, call the number listed below:

(920) 748-3121 Ripon, Wisconsin

## Serial Plate Location

When calling or writing about your product, be sure to mention model and serial numbers. Model and serial numbers are located on serial plate on back of machine or on inside door panel



GER16N\_FR004039

## Model Identification

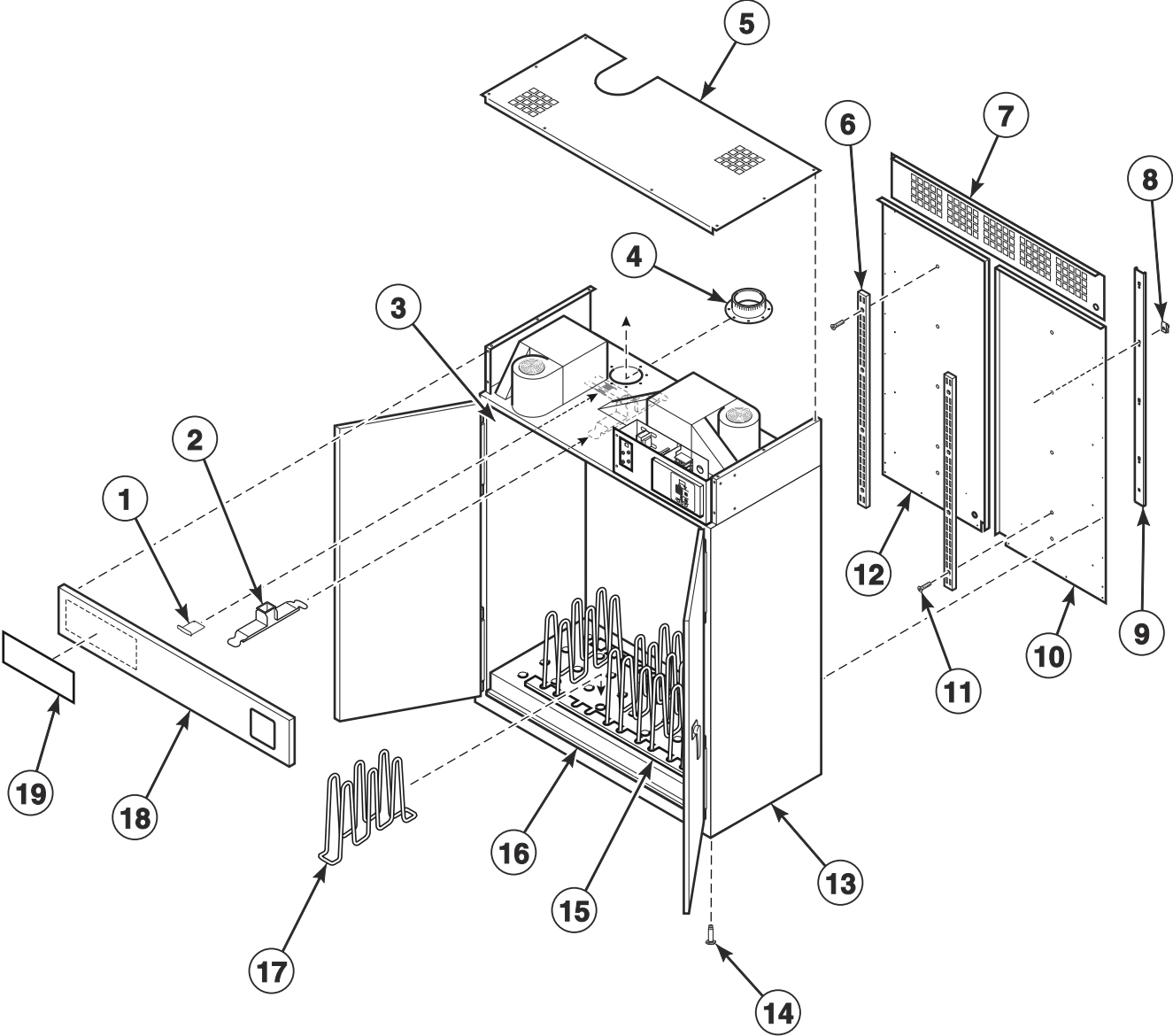
Information in this manual is applicable to these gear cabinet models:

CTGC6EDG44  
CTGC6EDG45  
CTGC6EDG64  
CTGC6EDG65  
CUGC6EDG75  
HTGC6EDG44  
HTGC6EDG45  
HTGC6EDG64  
HTGC6EDG65

ITGC6EDG44  
ITGC6EDG45  
ITGC6EDG64  
ITGC6EDG65  
IUGC6EDG75  
PTGC6EDG44  
PTGC6EDG45  
PTGC6EDG64  
PTGC6EDG65

STGC6EDG44  
STGC6EDG45  
STGC6EDG64  
STGC6EDG65  
UTGC6EDG44  
UTGC6EDG45  
UTGC6EDG64  
UTGC6EDG65  
UUGC6EDG75

# Main Assembly

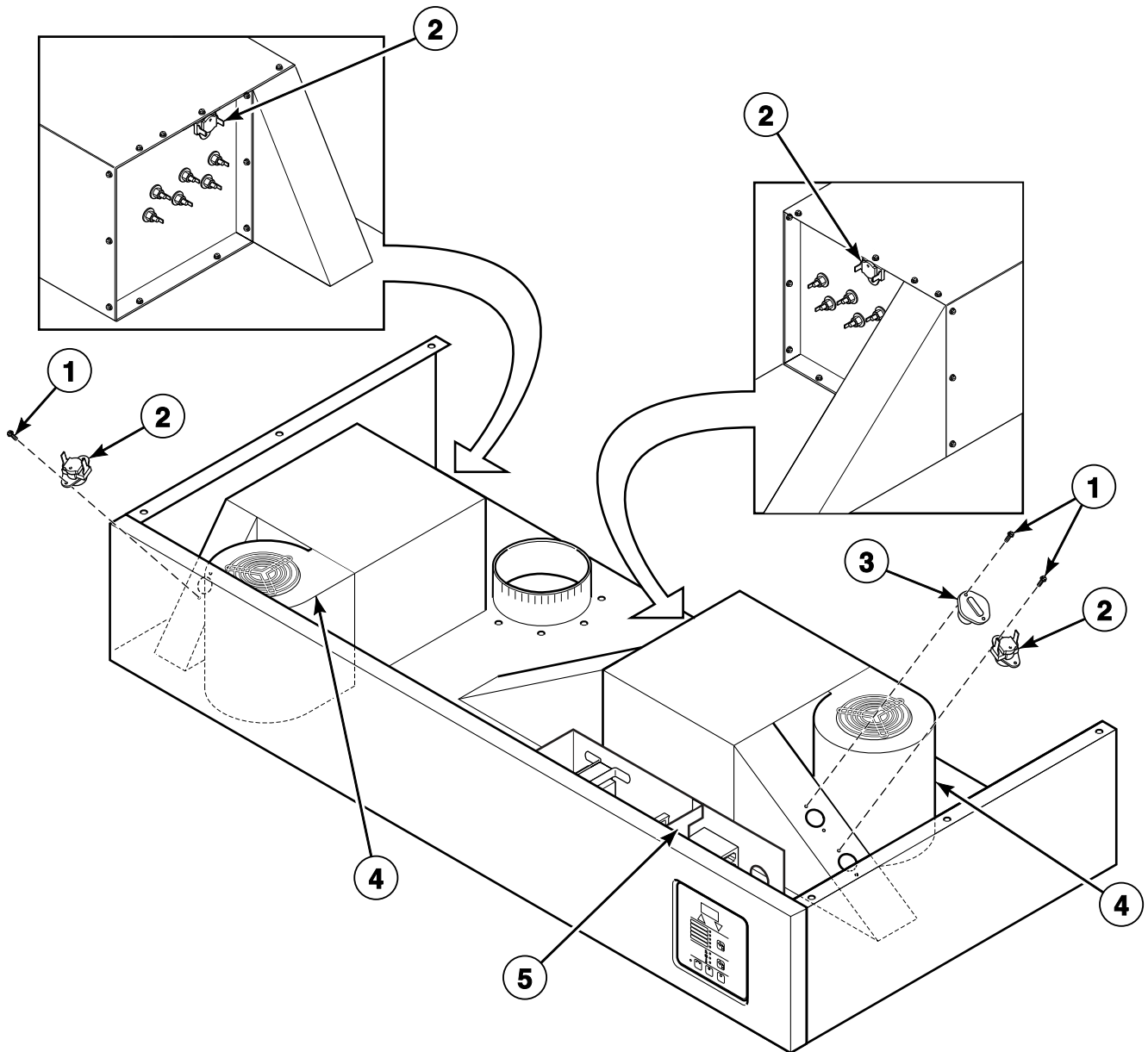


GER16P\_FR004039

# Main Assembly

| REF | PART NO.  | DESCRIPTION                | COMMENTS  |
|-----|-----------|----------------------------|---|
|     | FR250     | Single Hose Shelf Assembly | Refer to Installation/Operation manual for installation instructions              |
| 1   | FR223     | Filler Plate               | 5 included; Use in place of hanger when drying                                    |
| 2   | FR003992W | Hanger Assembly            | 6 required; Includes FR003939 Hanger, FR003940 Hanger Duct and 44097901 Pop Rivet |
| 3   | FR003904  | Side Panel                 | Left  |
| 4   | 70017801  | Exhaust Thimble            |   |
| 5   | FR003911  | Top Cover                  |   |
| 6   | FR003926  | Bracket Channel            | 2 required  |
| 7   | FR003931  | Rear Panel                 | Upper   |
| 8   | 70030401  | Nut                        | 8 required  |
| 9   | FR003915  | Back Channel               | 2 required  |
| 10  | FR003900  | Rear Right Panel           |   |
| 11  | FR004022  | Screw                      | 8 required  |
| 12  | FR003901W | Rear Left Panel            |   |
| 13  | FR003905W | Side Panel                 | Right   |
| 14  | 70247701  | Screw                      | Leveling leg  |
| 15  | FR004023W | Boot Bracket               | 2 required  |
| 16  | FR003927  | Duct Bottom                |   |
| 17  | FR003941  | Boot Hanger                | 5 required  |
| 18  | FR003925W | Control Panel              |   |
| 19  | 70348501  | Nameplate                  | C models  |
|     | 70348601  | Nameplate                  | I models  |
|     | M412963   | Nameplate Overlay          | U models  |
|     | 70509601  | Nameplate                  | P models through 3/31/18  |
|     | 567887    | Logo Label                 | P models starting 4/1/18  |
|     | 9001890   | Overlay                    | H models  |
|     | 44010601  | Nameplate                  | S models  |

# Bonnet Assembly



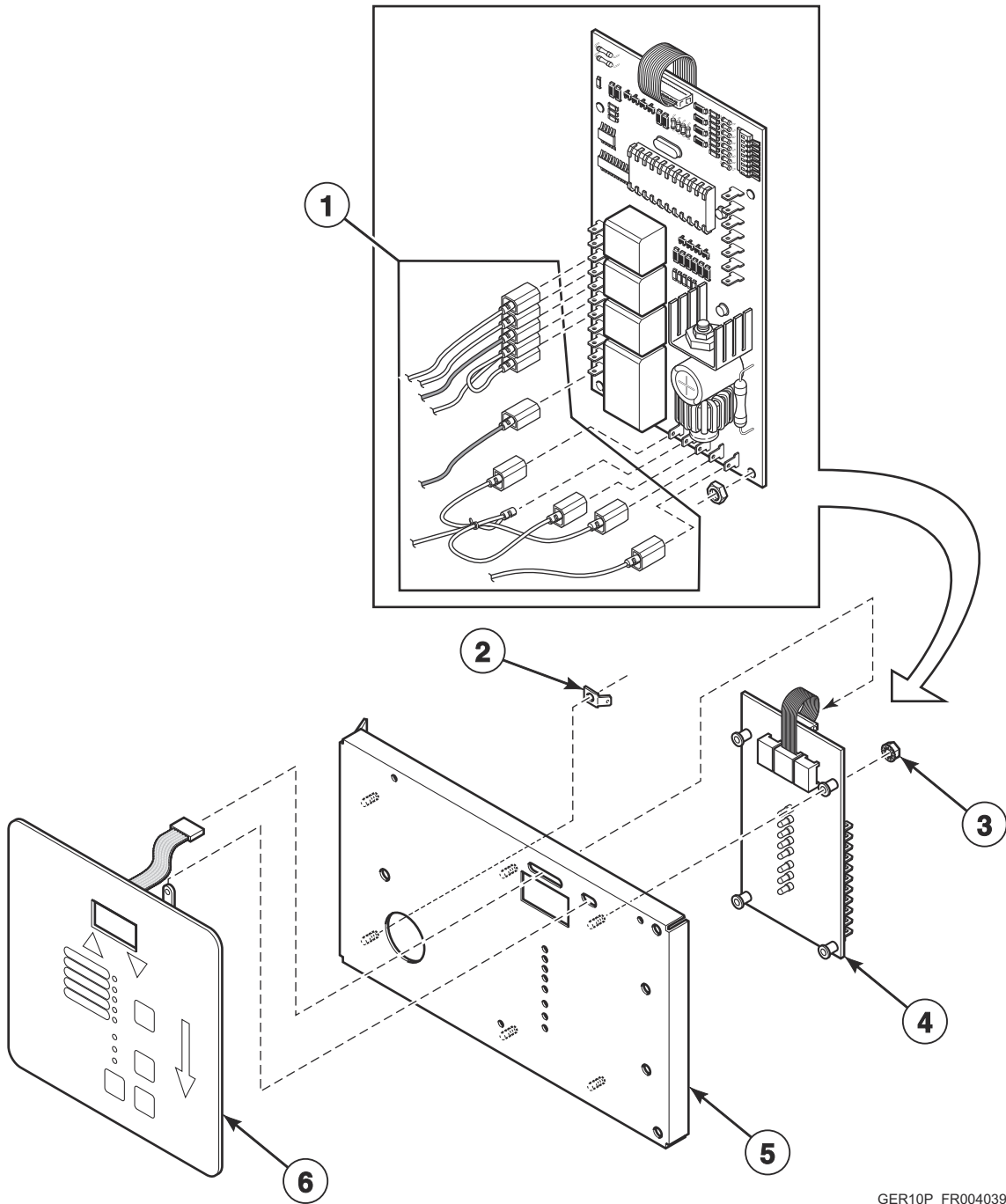
GER2P\_FR004039



# Bonnet Assembly

| REF | PART NO. | DESCRIPTION                         | COMMENTS                   |
|-----|----------|-------------------------------------|----------------------------|
|     | FR183P   | Capacitor                           | Use with item 4            |
| 1   | 430497   | Screw                               |                            |
| 2   | M406412  | Limit Thermostat                    | 4 required                 |
| 3   | TU11991K | Thermistor Kit                      |                            |
| 4   | FR00311  | Blower Assembly                     | 230 Volt/50 or 60 Hertz    |
|     | FR00331  | Motor Blower and Connector Assembly | 380, 400-415 Volt/50 Hertz |
| 5   | FR003913 | Control Box Wrap                    |                            |

# DMP Control Board

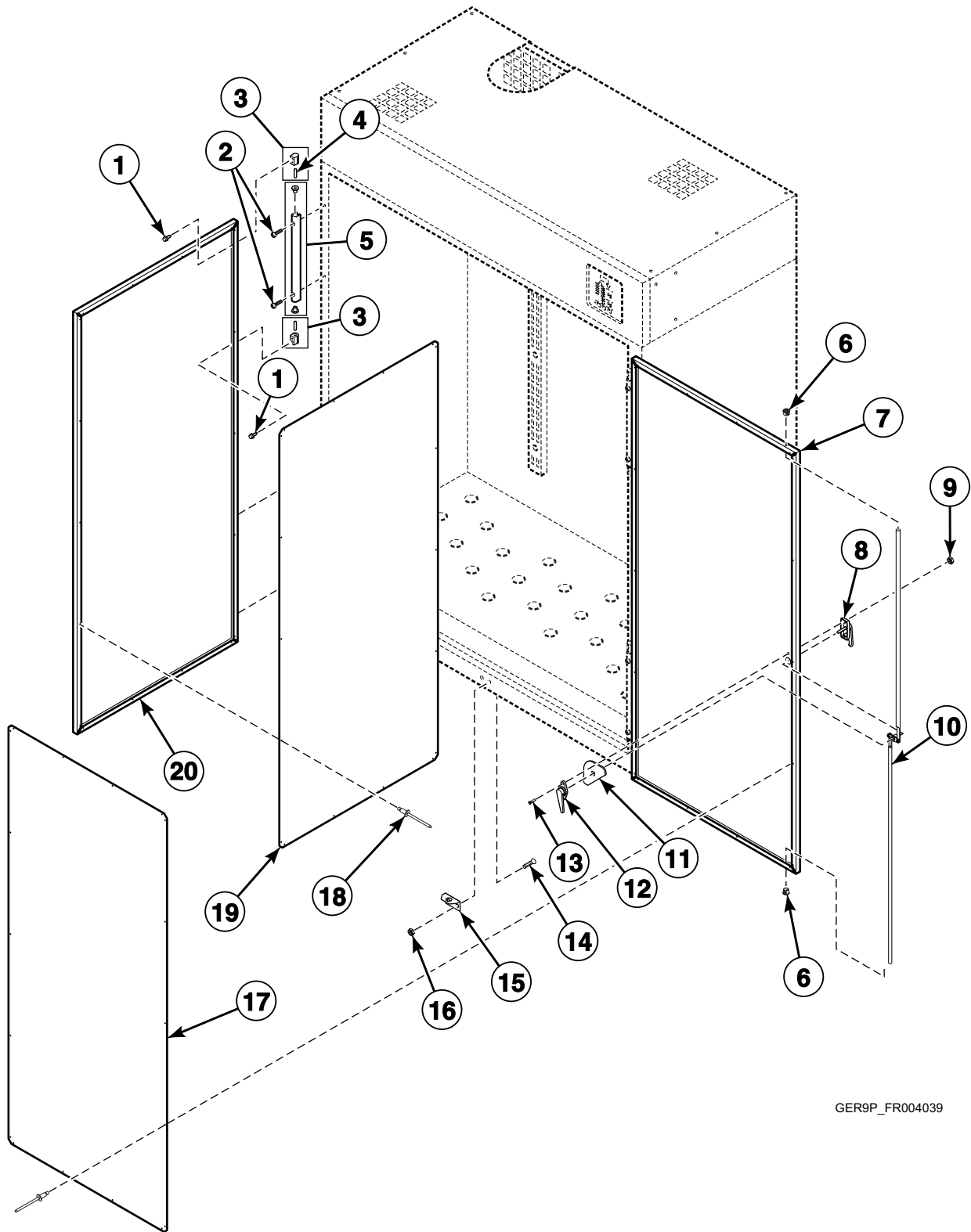


GER10P\_FR004039

# DMP Control Board

| REF | PART NO.  | DESCRIPTION               | COMMENTS |
|-----|-----------|---------------------------|----------|
| 1   | FR003945  | Front Control Box Harness |          |
| 2   | 00177     | Male Tab Terminal         |          |
| 3   | 29787     | Nut                       |          |
| 4   | FR180P    | DMP Gear Controller       |          |
| 5   | 44040901  | Control Plate Assembly    |          |
| 6   | FR004049P | Control Overlay           |          |

# Door Assemblies and Components

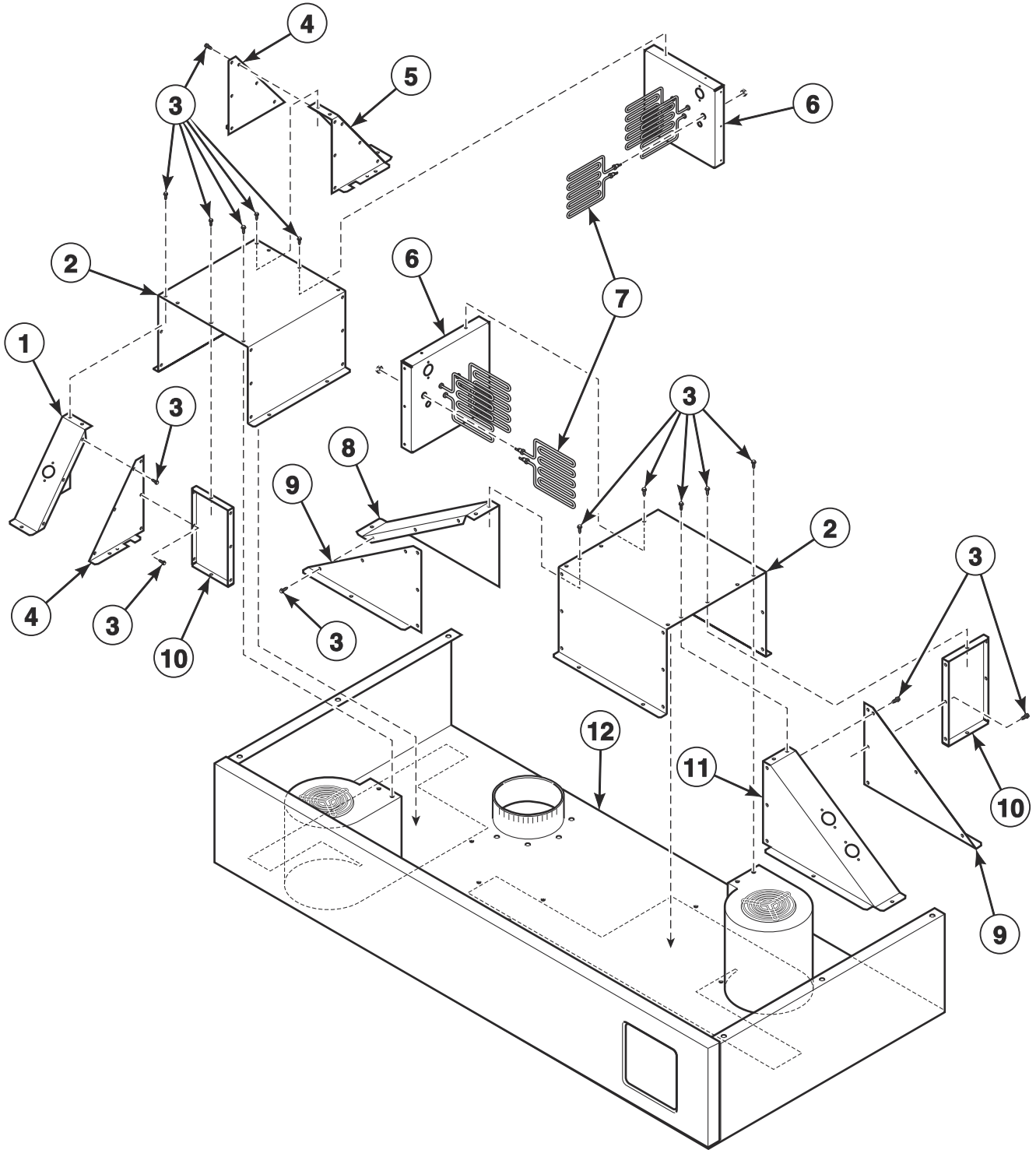


GER9P\_FR004039

## Door Assemblies and Components

| REF | PART NO.  | DESCRIPTION             | COMMENTS                              |
|-----|-----------|-------------------------|---------------------------------------|
|     | FR003991W | Right Door Assembly     |                                       |
|     | FR004006W | Left Door Assembly      |                                       |
| 1   | 61199     | Screw                   |                                       |
| 2   | 70442101  | Screw                   |                                       |
| 3   | M4772P3   | Cam and Hinge Kit       |                                       |
| 4   | 70071401  | Pin                     |                                       |
| 5   | 44035001  | Door Hinge Lug Assembly |                                       |
| 6   | FR256     | Bushing                 | 2 required; Used with door latch rods |
| 7   | FR003908W | Right Door              |                                       |
| 8   | FR004025  | Door Handle             |                                       |
| 9   | 44088001  | Nut                     | 2 required                            |
| 10  | FR122     | Rod Latch Assembly      |                                       |
| 11  | FR003938  | Handle Stop Plate       |                                       |
| 12  | FR123     | Handle                  |                                       |
| 13  | 803871    | Screw                   |                                       |
| 14  | 32184     | Bolt                    |                                       |
| 15  | FR003932W | Door Latch Clip         |                                       |
| 16  | 23951     | Nut                     |                                       |
| 17  | FR003910  | Inside Door Panel       | Right                                 |
| 18  | 70058501  | Pop Rivet               |                                       |
| 19  | FR003909  | Inside Door Panel       | Left                                  |
| 20  | FR003907W | Left Door               |                                       |

# Heater Assembly

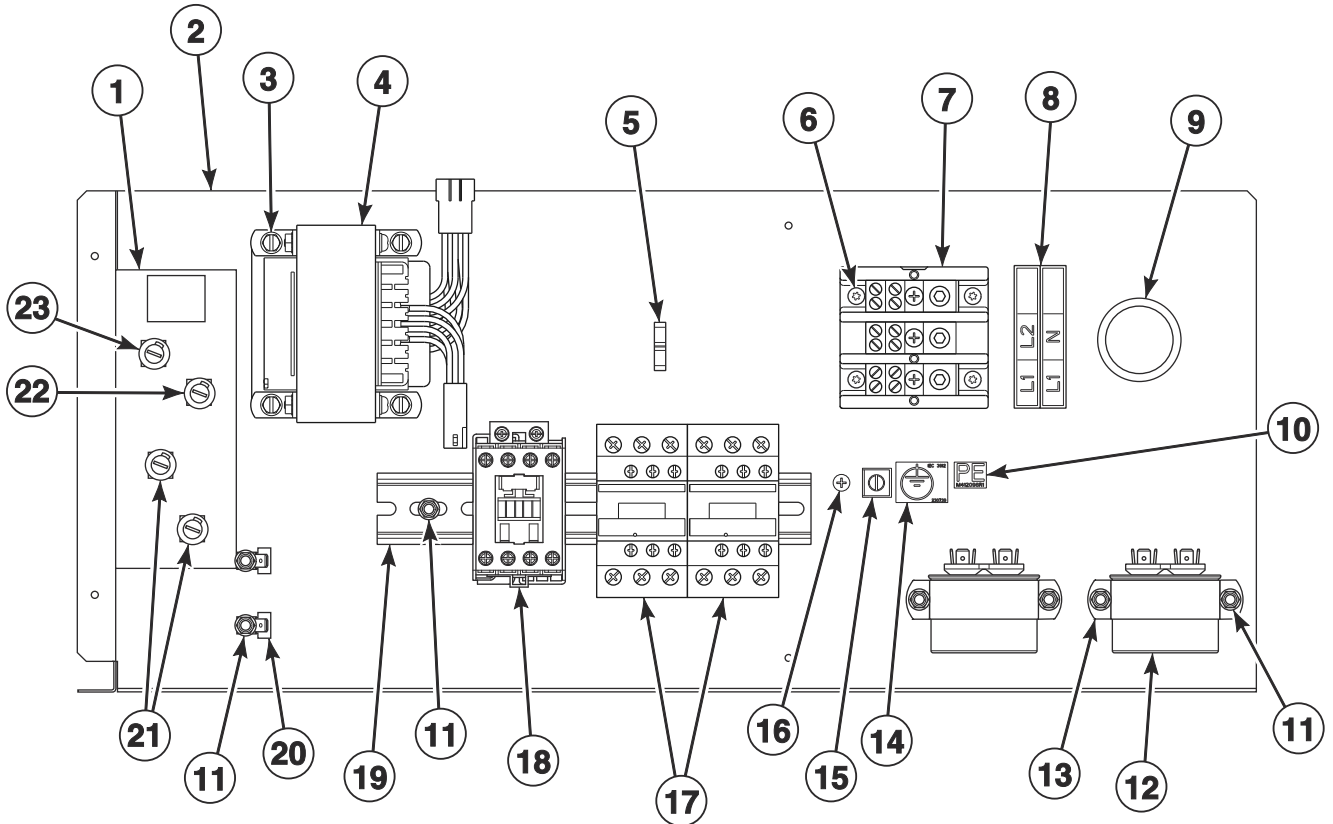


GER5P\_FR004039

# Heater Assembly

| REF | PART NO.  | DESCRIPTION          | COMMENTS                              |
|-----|-----------|----------------------|---------------------------------------|
| 1   | FR004019  | Heat Duct            | Front                                 |
| 2   | FR003917  | Heat Duct            | Top                                   |
| 3   | 430497    | Screw                |                                       |
| 4   | FR003922  | Front Cover Duct     |                                       |
| 5   | FR003921  | Heat Duct            | Rear                                  |
| 6   | FR003923  | Heater Element Cover |                                       |
| 7   | FR120     | Heater               | 6 required; Includes nuts and washers |
| 8   | FR003920  | Heater Duct          | Right                                 |
| 9   | FR003919  | Front Duct Cover     |                                       |
| 10  | FR003918  | Blower Heater Cover  |                                       |
| 11  | FR003993  | Heater Duct          | Left                                  |
| 12  | FR004036W | Top Panel            |                                       |

# Control Tray - Non-CE 1 Phase Models



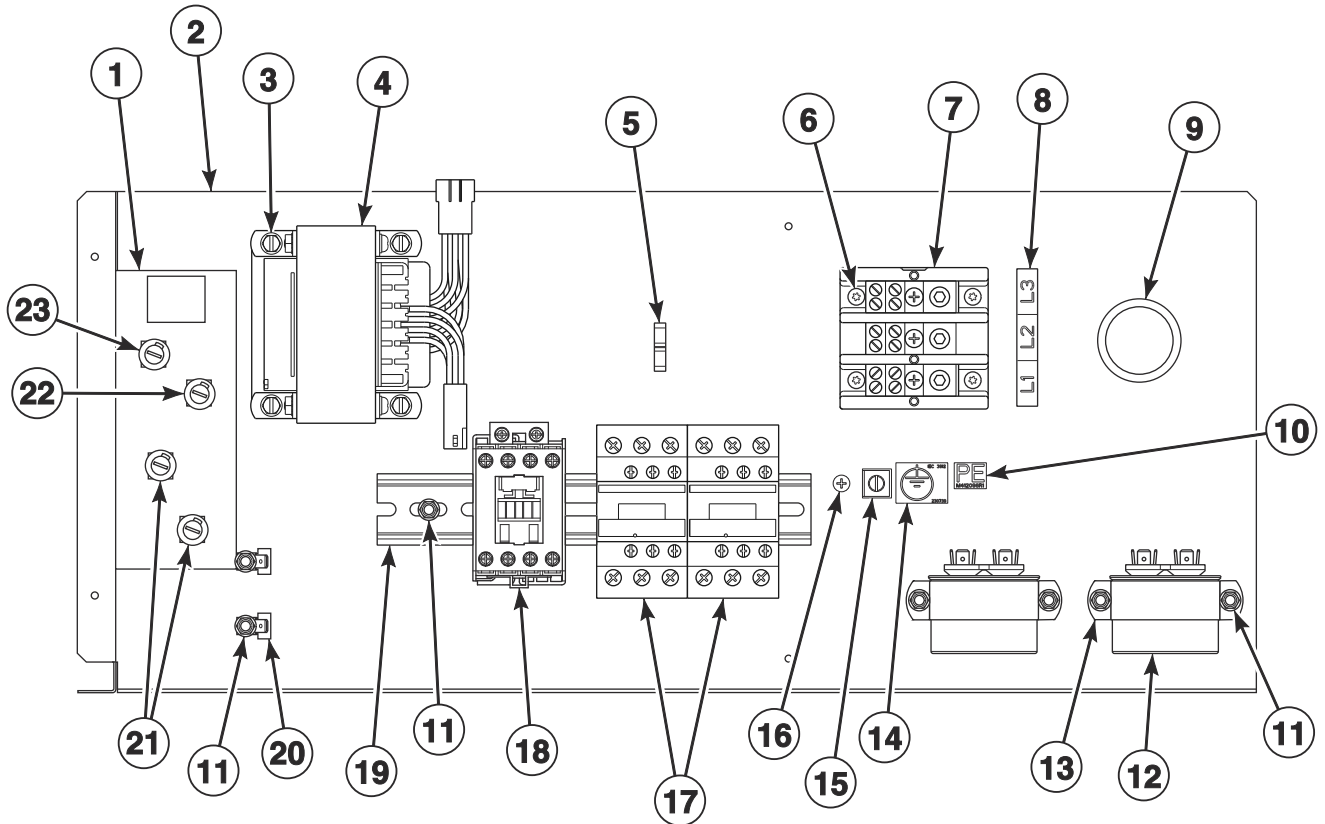
GER12P\_FR004039



## Control Tray - Non-CE 1 Phase Models

| REF       | PART NO.  | DESCRIPTION                           | COMMENTS          |
|-----------|-----------|---------------------------------------|-------------------|
|           | FR003944  | Main Harness                          |                   |
|           | FR003947  | Control Tray Harness                  |                   |
|           | FR003948  | Power Harness                         |                   |
|           | FR003950  | Motor Harness                         |                   |
|           | FR003952  | Heater Harness                        |                   |
|           | 70355801P | Electric Contactor Jumper Set Harness |                   |
|           | FR003956  | Power Jumper Assembly                 | 2 required        |
|           | M413507   | Jumper Configuration Assembly         | 240 Volt          |
|           | M413506   | Jumper Harness Assembly               | 208 Volt          |
|           | 70337201  | Fuse Label                            |                   |
| <b>1</b>  | 70306901  | Fuse Bracket                          |                   |
| <b>2</b>  | FR003924  | Contactor Box                         |                   |
| <b>3</b>  | 70030501  | Expansion Clip                        | 4 required        |
|           | F8206901  | Screw                                 | 4 required        |
| <b>4</b>  | M414228P  | Transformer                           |                   |
| <b>5</b>  | 70366201  | Wire Clip                             |                   |
| <b>6</b>  | 39733     | Screw                                 | 4 required        |
| <b>7</b>  | M413865   | Power Distribution Block              |                   |
|           | 44014901P | Power Distribution Block Cover        |                   |
| <b>8</b>  | 44286802  | Wire Label                            |                   |
| <b>9</b>  | M405340   | Snap Bushing                          |                   |
| <b>10</b> | M412096   | Earth Terminal Sticker                |                   |
| <b>11</b> | 51780     | Screw                                 |                   |
| <b>12</b> | FR183P    | Capacitor                             | 2 required        |
| <b>13</b> | FR184     | Bracket                               | 2 required        |
| <b>14</b> | F230739   | Ground Decal                          |                   |
| <b>15</b> | M411283   | Ground Lug Connector                  |                   |
| <b>16</b> | F430232   | Nut                                   |                   |
|           | F430903   | Screw                                 |                   |
| <b>17</b> | 70343301P | Contactor                             | 2 required        |
| <b>18</b> | 70323701P | Contactor                             |                   |
| <b>19</b> | M412689   | Din Rail                              |                   |
| <b>20</b> | 00177     | Male Tab Terminal                     | 2 required        |
| <b>21</b> | 70406701  | Fuse                                  | 2 required; 2 Amp |
|           | 70329401P | Fuse Holder Body                      | 2 required        |
|           | 70329501  | Fuse Holder Cap                       | 2 required        |
| <b>22</b> | 70406601  | Fuse                                  | 3.5 Amp           |
|           | 70329401P | Fuse Holder Body                      |                   |
|           | 70329501  | Fuse Holder Cap                       |                   |
| <b>23</b> | 70406501  | Fuse                                  | 1.25 Amp          |
|           | 70329401P | Fuse Holder Body                      |                   |
|           | 70329501  | Fuse Holder Cap                       |                   |

# Control Tray - Non-CE 3 Phase Models

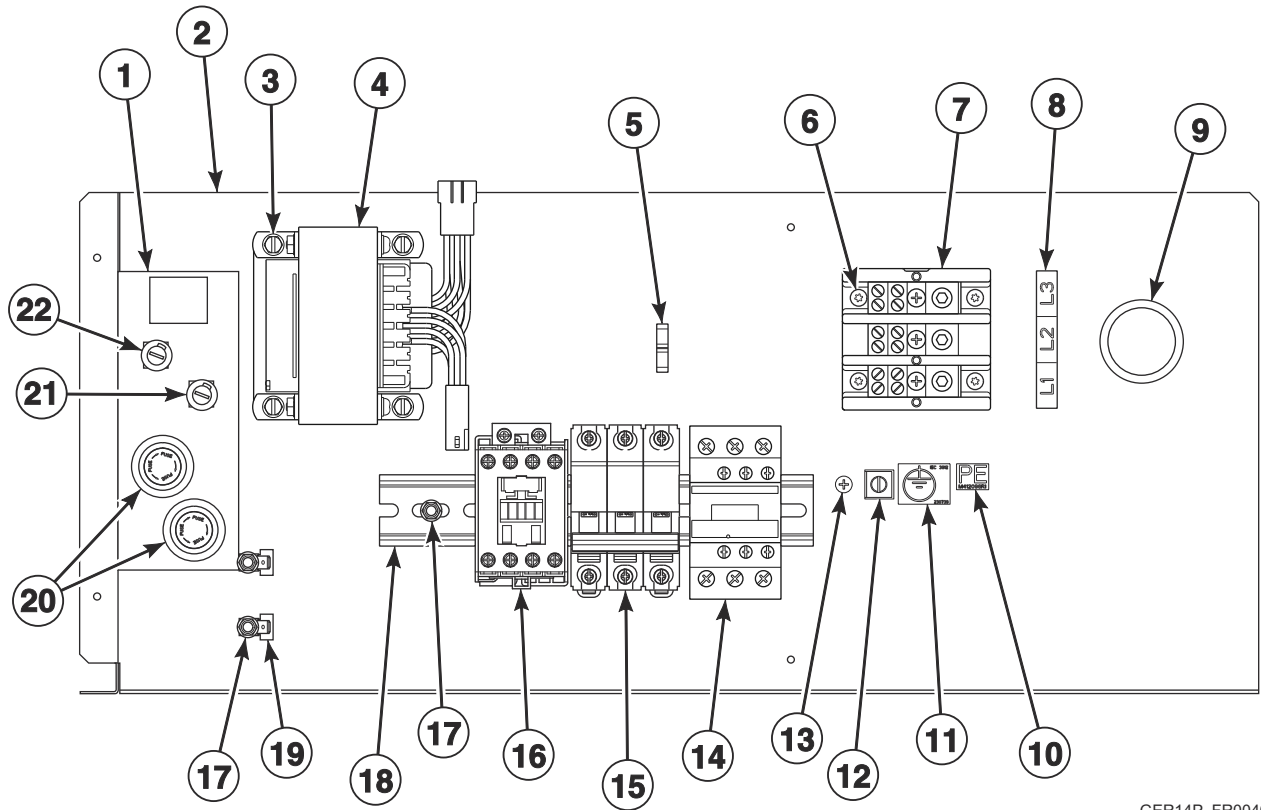


GER13P\_FR004039

## Control Tray - Non-CE 3 Phase Models

| REF       | PART NO.  | DESCRIPTION                           | COMMENTS          |
|-----------|-----------|---------------------------------------|-------------------|
|           | FR003944  | Main Harness                          |                   |
|           | FR003947  | Control Tray Harness                  |                   |
|           | FR003948  | Power Harness                         |                   |
|           | FR003950  | Motor Harness                         |                   |
|           | FR003953  | Heater Harness                        |                   |
|           | 70355801P | Electric Contactor Jumper Set Harness |                   |
|           | FR003956  | Power Jumper Assembly                 | 2 required        |
|           | M413507   | Jumper Configuration Assembly         | 240 Volt          |
|           | M413506   | Jumper Harness Assembly               | 208 Volt          |
|           | 70337201  | Fuse Label                            |                   |
| <b>1</b>  | 70306901  | Fuse Bracket                          |                   |
| <b>2</b>  | FR003924  | Contactor Box                         |                   |
| <b>3</b>  | 70030501  | Expansion Clip                        | 4 required        |
|           | F8206901  | Screw                                 | 4 required        |
| <b>4</b>  | M414228P  | Transformer                           |                   |
| <b>5</b>  | 70366201  | Wire Clip                             |                   |
| <b>6</b>  | 39733     | Screw                                 | 4 required        |
| <b>7</b>  | M413865   | Power Distribution Block              |                   |
|           | 44014901P | Power Distribution Block Cover        |                   |
| <b>8</b>  | 44286803  | Label                                 |                   |
| <b>9</b>  | M405340   | Snap Bushing                          |                   |
| <b>10</b> | M412096   | Earth Terminal Sticker                |                   |
| <b>11</b> | 51780     | Screw                                 |                   |
| <b>12</b> | FR183P    | Capacitor                             | 2 required        |
| <b>13</b> | FR184     | Bracket                               | 2 required        |
| <b>14</b> | F230739   | Ground Decal                          |                   |
| <b>15</b> | M411283   | Ground Lug Connector                  |                   |
| <b>16</b> | F430232   | Nut                                   |                   |
|           | F430903   | Screw                                 |                   |
| <b>17</b> | 70343301P | Contactor                             | 2 required        |
| <b>18</b> | 70323701P | Contactor                             |                   |
| <b>19</b> | M412689   | Din Rail                              |                   |
| <b>20</b> | 00177     | Male Tab Terminal                     | 2 required        |
| <b>21</b> | 70406701  | Fuse                                  | 2 required; 2 Amp |
|           | 70329401P | Fuse Holder Body                      | 2 required        |
|           | 70329501  | Fuse Holder Cap                       | 2 required        |
| <b>22</b> | 70406601  | Fuse                                  | 3.5 Amp           |
|           | 70329401P | Fuse Holder Body                      |                   |
|           | 70329501  | Fuse Holder Cap                       |                   |
| <b>23</b> | 70406501  | Fuse                                  | 1.25 Amp          |
|           | 70329401P | Fuse Holder Body                      |                   |
|           | 70329501  | Fuse Holder Cap                       |                   |

# Control Tray - CE 3 Phase Models



GER14P\_FR004039

## Control Tray - CE 3 Phase Models

| REF       | PART NO.  | DESCRIPTION                    | COMMENTS           |
|-----------|-----------|--------------------------------|--------------------|
|           | FR003944  | Main Harness                   |                    |
|           | FR003947  | Control Tray Harness           |                    |
|           | FR003949  | Power Harness                  |                    |
|           | FR003951  | Motor Harness                  |                    |
|           | FR003954  | Heater Harness                 |                    |
|           | FR003956  | Power Jumper Assembly          | 2 required         |
|           | FR00370   | Heater Jumper Assembly         | 2 required         |
|           | M413508   | Jumper Harness Assembly        |                    |
|           | M413509   | Jumper Harness Assembly        |                    |
|           | 70337401  | Fuse Label                     |                    |
| <b>1</b>  | 70313602  | Fuse Bracket                   |                    |
| <b>2</b>  | FR003924  | Contactoer Box                 |                    |
| <b>3</b>  | 70030501  | Expansion Clip                 | 4 required         |
|           | F8206901  | Screw                          | 4 required         |
| <b>4</b>  | M414229P  | Transformer                    |                    |
| <b>5</b>  | 70366201  | Wire Clip                      |                    |
| <b>6</b>  | 39733     | Screw                          | 4 required         |
| <b>7</b>  | M413865   | Power Distribution Block       |                    |
|           | 44014901P | Power Distribution Block Cover |                    |
| <b>8</b>  | 44286803  | Label                          |                    |
| <b>9</b>  | M405340   | Snap Bushing                   |                    |
| <b>10</b> | M412096   | Earth Terminal Sticker         |                    |
| <b>11</b> | F230739   | Ground Decal                   |                    |
| <b>12</b> | M411283   | Ground Lug Connector           |                    |
| <b>13</b> | F430232   | Nut                            |                    |
|           | F430903   | Screw                          |                    |
| <b>14</b> | 70343301P | Contactoer                     |                    |
| <b>15</b> | M412407P  | Circuit Breaker                |                    |
| <b>16</b> | 70323701P | Contactoer                     |                    |
| <b>17</b> | 51780     | Screw                          |                    |
| <b>18</b> | M412689   | Din Rail                       |                    |
| <b>19</b> | 00177     | Male Tab Terminal              | 2 required         |
| <b>20</b> | 44310001  | Fuse                           | 2 required; .5 Amp |
|           | 44155601P | Fuse Holder                    | 2 required         |
| <b>21</b> | 70406601  | Fuse                           | 3.5 Amp            |
|           | 70329401P | Fuse Holder Body               |                    |
|           | 70329501  | Fuse Holder Cap                |                    |
| <b>22</b> | 70406501  | Fuse                           | 1.25 Amp           |
|           | 70329401P | Fuse Holder Body               |                    |
|           | 70329501  | Fuse Holder Cap                |                    |



# Parts Index

## B

|                                       |        |
|---------------------------------------|--------|
| Back Channel<br>FR003915 .....        | 5      |
| Blower Assembly<br>FR00311 .....      | 7      |
| Blower Heater Cover<br>FR003918 ..... | 13     |
| Bolt<br>32184 .....                   | 11     |
| Boot Bracket<br>FR004023W .....       | 5      |
| Boot Hanger<br>FR003941 .....         | 5      |
| Bracket<br>FR184 .....                | 15, 17 |
| Bracket Channel<br>FR003926 .....     | 5      |
| Bushing<br>FR256 .....                | 11     |

## C

|  |            |
|--|------------|
| Cam and Hinge Kit<br>M4772P3 .....       | 11         |
| Capacitor<br>FR183P .....                | 7, 15, 17  |
| Circuit Breaker<br>M412407P .....        | 19         |
| Contactors<br>70323701P .....            | 15, 17, 19 |
| 70343301P .....                          | 15, 17, 19 |
| Contactors Box<br>FR003924 .....         | 15, 17, 19 |
| Control Box Wrap<br>FR003913 .....       | 7          |
| Control Overlay<br>FR004049P .....       | 9          |
| Control Panel<br>FR003925W .....         | 5          |
| Control Plate Assembly<br>44040901 ..... | 9          |
| Control Tray Harness<br>FR003947 .....   | 15, 17, 19 |

## D

|   |            |
|---|------------|
| Din Rail<br>M412689 .....                 | 15, 17, 19 |
| DMP Gear Controller<br>FR180P .....       | 9          |
| Door Handle<br>FR004025 .....             | 11         |
| Door Hinge Lug Assembly<br>44035001 ..... | 11         |
| Door Latch Clip<br>FR003932W .....        | 11         |

|                               |   |
|-------------------------------|---|
| Duct Bottom<br>FR003927 ..... | 5 |
|-------------------------------|---|

## E

|  |            |
|--|------------|
| Earth Terminal Sticker<br>M412096 .....                  | 15, 17, 19 |
| Electric Contactor Jumper Set Harness<br>70355801P ..... | 15, 17     |
| Exhaust Thimble<br>70017801 .....                        | 5          |
| Expansion Clip<br>70030501 .....                         | 15, 17, 19 |

## F

|   |            |
|---|------------|
| Filler Plate<br>FR223 .....                 | 5          |
| Front Control Box Harness<br>FR003945 ..... | 9          |
| Front Cover Duct<br>FR003922 .....          | 13         |
| Front Duct Cover<br>FR003919 .....          | 13         |
| Fuse<br>44310001 .....                      | 19         |
| 70406501 .....                              | 15, 17, 19 |
| 70406601 .....                              | 15, 17, 19 |
| 70406701 .....                              | 15, 17     |
| Fuse Bracket<br>70306901 .....              | 15, 17     |
| 70313602 .....                              | 19         |
| Fuse Holder<br>44155601P .....              | 19         |
| Fuse Holder Body<br>70329401P .....         | 15, 17, 19 |
| Fuse Holder Cap<br>70329501 .....           | 15, 17, 19 |
| Fuse Label<br>70337201 .....                | 15, 17     |
| 70337401 .....                              | 19         |

## G

|                                       |            |
|---------------------------------------|------------|
| Ground Decal<br>F230739 .....         | 15, 17, 19 |
| Ground Lug Connector<br>M411283 ..... | 15, 17, 19 |

## H

|                                     |    |
|-------------------------------------|----|
| Handle<br>FR123 .....               | 11 |
| Handle Stop Plate<br>FR003938 ..... | 11 |

N/A items do not appear in index.

|                        |    |
|------------------------|----|
| Hanger Assembly        |    |
| FR003992W .....        | 5  |
| Heat Duct              |    |
| FR003917 .....         | 13 |
| FR003921 .....         | 13 |
| FR004019 .....         | 13 |
| Heater                 |    |
| FR120 .....            | 13 |
| Heater Duct            |    |
| FR003920 .....         | 13 |
| FR003993 .....         | 13 |
| Heater Element Cover   |    |
| FR003923 .....         | 13 |
| Heater Harness         |    |
| FR003952 .....         | 15 |
| FR003953 .....         | 17 |
| FR003954 .....         | 19 |
| Heater Jumper Assembly |    |
| FR00370 .....          | 19 |

## I

|                   |    |
|-------------------|----|
| Inside Door Panel |    |
| FR003909 .....    | 11 |
| FR003910 .....    | 11 |

## J

|                               |        |
|-------------------------------|--------|
| Jumper Configuration Assembly |        |
| M413507 .....                 | 15, 17 |
| Jumper Harness Assembly       |        |
| M413506 .....                 | 15, 17 |
| M413508 .....                 | 19     |
| M413509 .....                 | 19     |

## L

|                    |        |
|--------------------|--------|
| Label              |        |
| 44286803 .....     | 17, 19 |
| Left Door          |        |
| FR003907W .....    | 11     |
| Left Door Assembly |        |
| FR004006W .....    | 11     |
| Limit Thermostat   |        |
| M406412 .....      | 7      |
| Logo Label         |        |
| 567887 .....       | 5      |

## M

|                                     |               |
|-------------------------------------|---------------|
| Main Harness                        |               |
| FR003944 .....                      | 15, 17, 19    |
| Male Tab Terminal                   |               |
| 00177 .....                         | 9, 15, 17, 19 |
| Motor Blower and Connector Assembly |               |
| FR00331 .....                       | 7             |
| Motor Harness                       |               |
| FR003950 .....                      | 15, 17        |
| FR003951 .....                      | 19            |

N/A items do not appear in index.

## N

|                   |            |
|-------------------|------------|
| Nameplate         |            |
| 44010601 .....    | 5          |
| 70348501 .....    | 5          |
| 70348601 .....    | 5          |
| 70509601 .....    | 5          |
| Nameplate Overlay |            |
| M412963 .....     | 5          |
| Nut               |            |
| F430232 .....     | 15, 17, 19 |
| 23951 .....       | 11         |
| 29787 .....       | 9          |
| 44088001 .....    | 11         |
| 70030401 .....    | 5          |

## O

|               |   |
|---------------|---|
| Overlay       |   |
| 9001890 ..... | 5 |

## P

|                                |            |
|--------------------------------|------------|
| Pin                            |            |
| 70071401 .....                 | 11         |
| Pop Rivet                      |            |
| 70058501 .....                 | 11         |
| Power Distribution Block       |            |
| M413865 .....                  | 15, 17, 19 |
| Power Distribution Block Cover |            |
| 44014901P .....                | 15, 17, 19 |
| Power Harness                  |            |
| FR003948 .....                 | 15, 17     |
| FR003949 .....                 | 19         |
| Power Jumper Assembly          |            |
| FR003956 .....                 | 15, 17, 19 |

## R

|                     |    |
|---------------------|----|
| Rear Left Panel     |    |
| FR003901W .....     | 5  |
| Rear Panel          |    |
| FR003931 .....      | 5  |
| Rear Right Panel    |    |
| FR003900 .....      | 5  |
| Right Door          |    |
| FR003908W .....     | 11 |
| Right Door Assembly |    |
| FR003991W .....     | 11 |
| Rod Latch Assembly  |    |
| FR122 .....         | 11 |

## S

|                |            |
|----------------|------------|
| Screw          |            |
| FR004022 ..... | 5          |
| F430903 .....  | 15, 17, 19 |
| F8206901 ..... | 15, 17, 19 |
| 39733 .....    | 15, 17, 19 |



|                            |            |
|----------------------------|------------|
| 430497 .....               | 7, 13      |
| 51780 .....                | 15, 17, 19 |
| 61199 .....                | 11         |
| 70247701 .....             | 5          |
| 70442101 .....             | 11         |
| 803871 .....               | 11         |
| Side Panel                 |            |
| FR003904 .....             | 5          |
| FR003905W .....            | 5          |
| Single Hose Shelf Assembly |            |
| FR250 .....                | 5          |
| Snap Bushing               |            |
| M405340 .....              | 15, 17, 19 |

---

## **T**

|                 |        |
|-----------------|--------|
| Thermistor Kit  |        |
| TU11991K .....  | 7      |
| Top Cover       |        |
| FR003911 .....  | 5      |
| Top Panel       |        |
| FR004036W ..... | 13     |
| Transformer     |        |
| M414228P .....  | 15, 17 |
| M414229P .....  | 19     |

---

## **W**

|                |            |
|----------------|------------|
| Wire Clip      |            |
| 70366201 ..... | 15, 17, 19 |
| Wire Label     |            |
| 44286802 ..... | 15         |

---

