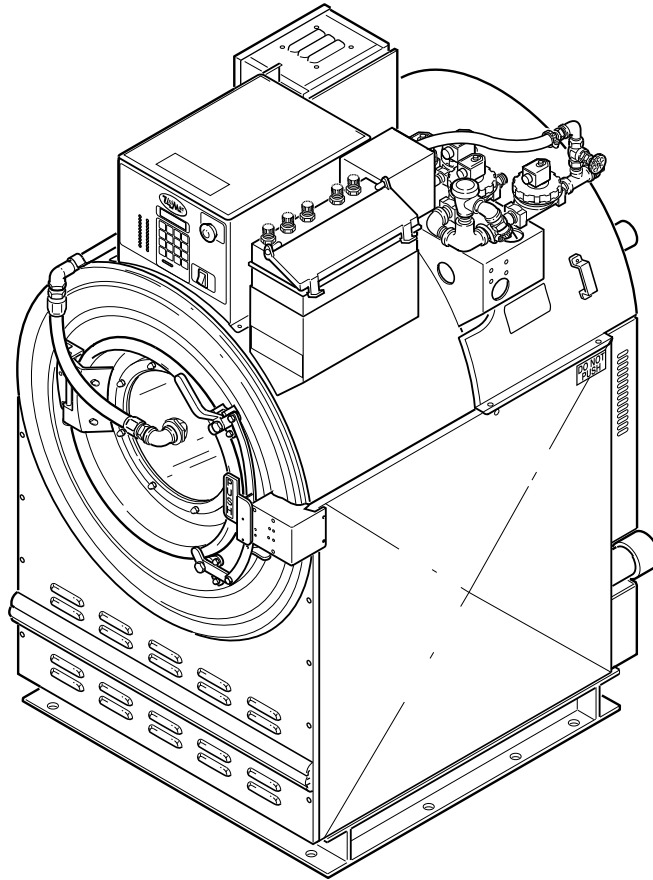


Washer-Extractor

Pocket Hardmount

UW125PV



U055C_F230546

Table of Contents

Title	Page
Parts Ordering Information.....	2
Nameplate Location.....	2
Model Identification.....	3
Pocket Hardmount Washer-Extractor Product Overview.....	4
Decals.....	6
New Style Control Module Assembly (Drawing 1 of 2).....	8
New Style Control Module Assembly (Drawing 2 of 2).....	10
Old Style Control Module Assembly.....	12
PowerFlex 40 AC Drive.....	14
New Style Cover Panels.....	16
Old Style Cover Panels.....	18
Door Assembly - 2 Door Box (Drawing 1 of 2).....	20
Door Assembly - 2 Door Box (Drawing 2 of 2).....	22
Door Assembly - 1 Door Box (Drawing 1 of 2).....	24
Door Assembly - 1 Door Box (Drawing 2 of 2).....	26
2 Door Box Assembly - Solenoid without Plunger Style.....	28
2 Door Box Assembly - Solenoid with Plunger Style.....	30
1 Door Box Assembly.....	32
Basket, Shell and Frame.....	34
New Style Supply Dispenser.....	36
Old Style Supply Dispenser with Horton Valve.....	38
Old Style Supply Dispenser with Mueller Valve.....	40
Spray and Fill Plumbing Assembly with 3/4-Inch Hays Valves.....	42
Spray and Fill Plumbing Assembly with 3/4-Inch Parker Valves.....	44
Spray and Fill Plumbing Assembly with 1-Inch Parker Valves.....	46
Spray and Fill Plumbing Assembly with 1 1/4-Inch Hays Valves.....	48
Vacuum Breaker Assembly with Leak Containment Kit.....	50
Drain Valve and Plumbing.....	52
Drain Valve.....	54
Motor, Pulley, Belt and Bearings.....	56
AC Drive.....	58
Balance Switch, Rotation Sensor and Control Transformer.....	60
Steam Heat Option and Temperature Probe.....	62
Wet-Clean Assembly Main View.....	64
Wet-Clean Assembly Control Module.....	66
Security Fasteners.....	68
Special Tools.....	70
Parts Index.....	73

© Copyright 2014, Alliance Laundry Systems LLC

All rights reserved. No part of the contents of this book may be reproduced or transmitted in any form or by any means without the expressed written consent of the publisher.

Parts Ordering Information

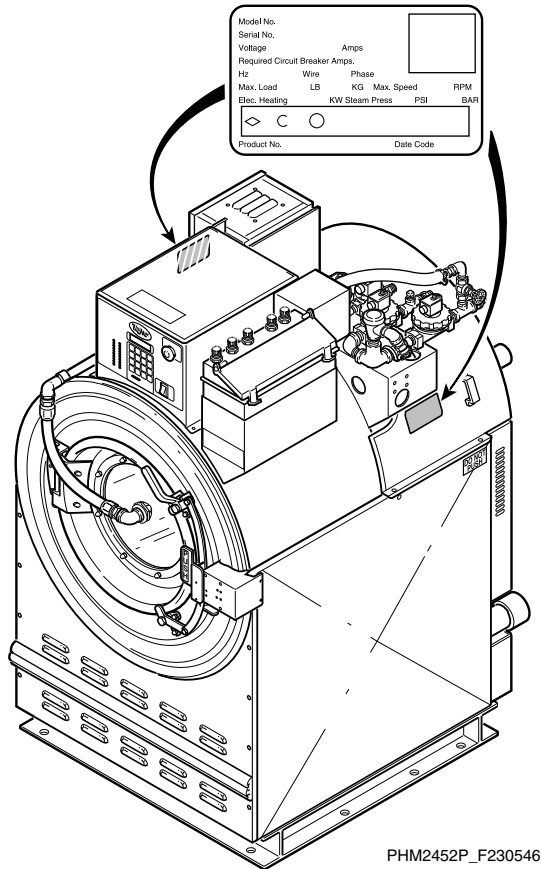
If literature or replacement parts are required, contact the source from whom the machine was purchased or contact Alliance Laundry Systems at (920) 748-3950 for the name and address of the nearest authorized parts distributor.

For technical assistance, call either of the numbers listed below:

(920) 748-3121 Ripon, Wisconsin
+32 56 41 20 54 Wevelgem, Belgium

Nameplate Location

When calling or writing about your product, be sure to mention model and serial numbers. Model and serial numbers are located on nameplate(s) as shown.



Model Identification

Information in this manual is applicable to this washer-extractor model:

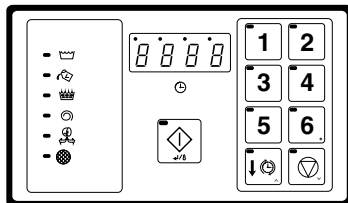
UW125PV

NOTE: This manual applies to models with either 1, 2, 3 or 4 in the 10th position in the model number (e.g. UW125PVQU40001)

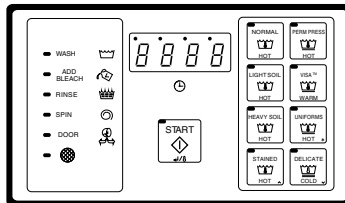
Pocket Hardmount Washer-Extractor Product Overview

Model No. UW60AMXUB0001
 Serial No. 0000000000
 Voltage 200 – 240 Amps 10
 Circuit Breaker 15 Amps
 Hz 50 – 60 Wire 2/3 Phase S 3
 Max. Load 60 LB 27 KG Max. Speed 594 RPM
 Elec. Heating N/A Steam Press. N/A PSI 0.0 BAR

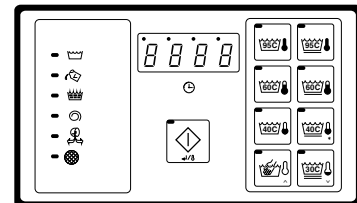
Drawings:
 ETL Listed
 Conforms To ANSI/UL Std. 1206, 3rd Ed
 Certified To CAN/CSA Std. C22.2 No.53-1968



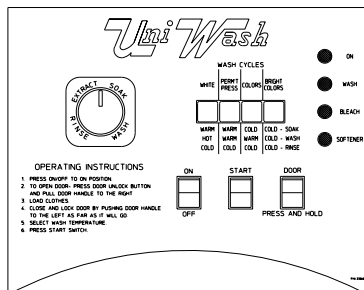
A-Control



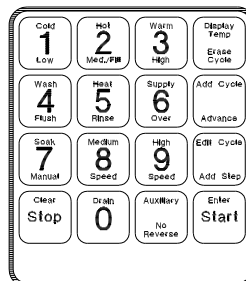
B-Control (Domestic)



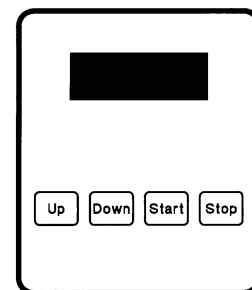
B-Control (International)



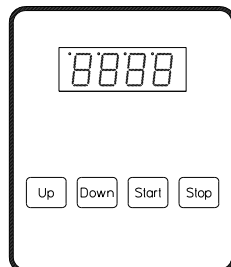
Mechanical Timer



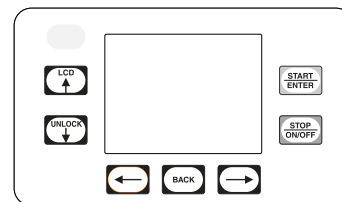
WE-6 Control



S-Computer



V-Computer



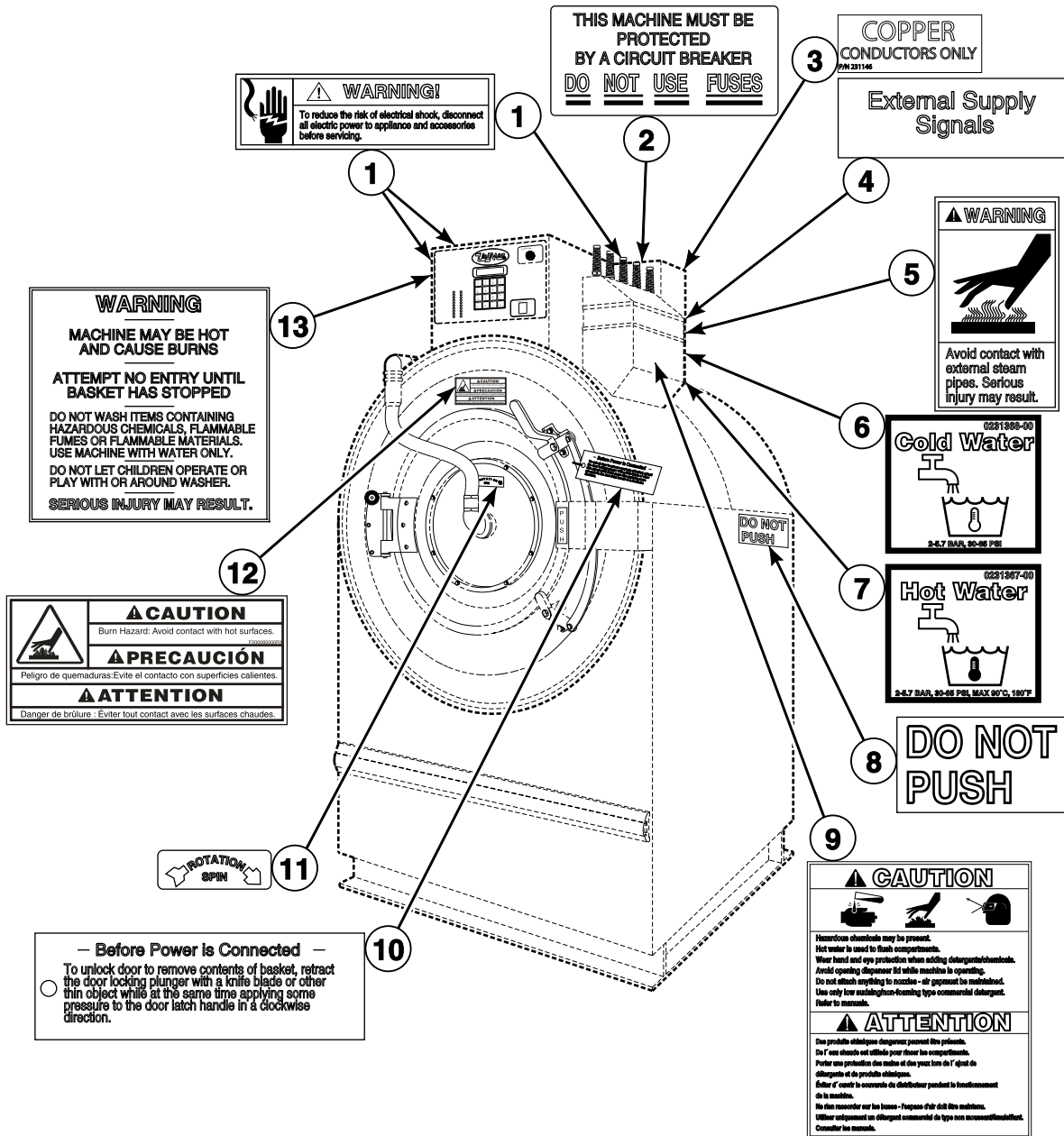
UniLinc Control

PHM2979P_F230546

Pocket Hardmount Washer-Extractor Product Overview

REF	PART NO.	DESCRIPTION	COMMENTS
1	-	Product Family	UW
2	-	Capacity (Pounds)	35 60 80 100 125 150
3	-	Control	A (A-Control) B (B-Control) M (Mechanical Timer) P (WE-6 Control) S (S-Computer) V (V-Computer) T (UniLinc Control)
4	-	Speed	2 (2-Speed) 3 (3-Speed) 4 (4-Speed) V (Variable-Speed)
5	-	Voltage	F (440-480/60/3/3) N (440-480/50-60/3/3) O (208-240/60/3/3) P (380-415/60-60/3/3) Q (200-208/220-240/50/60/3ph) R (380-415/440-480/50/60/3ph) X (200-220/220-240/50/60/1-3) Y (208-240/60/1/2)
6	-	OEM	U (Standard Specs)
7	-	Design Series	1-8

Decals

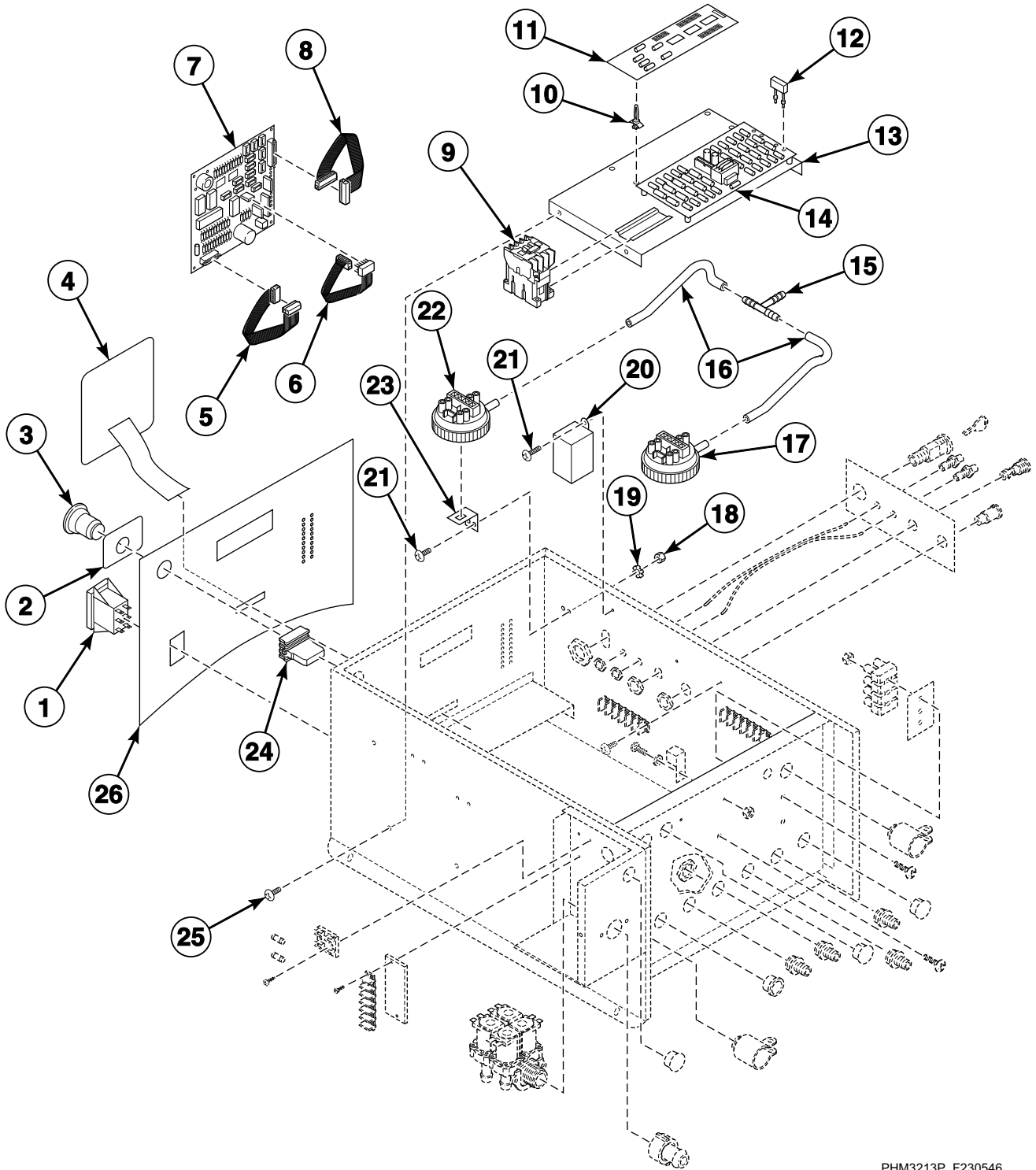


PHM3086P_F230546

Decals

REF	PART NO.	DESCRIPTION	COMMENTS
1	505281	Disconnect Power Warning Label	
2	F230301	This Machine Must Be Protected Decal	
3	F231146	Conductor Decal	
4	F230606	External Supply Control Decal	
5	F231380	Hot Surface Warning Decal	
6	F231368	Cold Water Valve Decal	
7	F231367	Hot Water Valve Decal	
8	F230302	Do Not Push Decal	
9	F231436	Supply Dispenser Hazard Caution Decal	
10	F230501	Before Power Is Connected Tag	
11	F230652	Clockwise Spin Rotation Decal	
12	F200085000	Hot Surface Warning Decal	
13	F231065	Personal Injury Warning Decal	

New Style Control Module Assembly (Drawing 1 of 2)



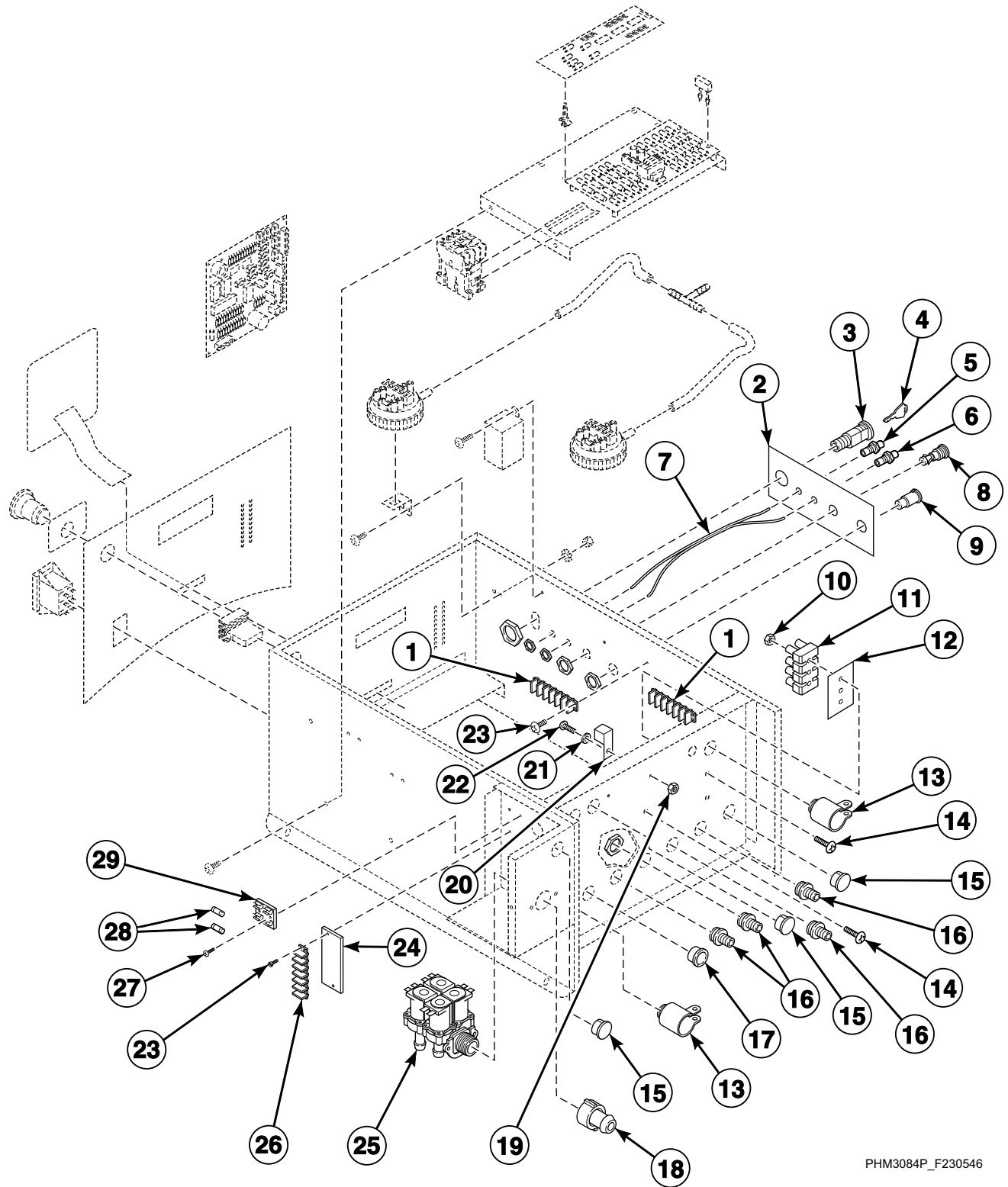
PHM3213P_F230546

New Style Control Module Assembly (Drawing 1 of 2)

REF	PART NO.	DESCRIPTION	COMMENTS
1	F340412	Momentary Switch	
2	F231083	Emergency Stop Decal	
3	N/A	Emergency Stop Button Kit	800E-series; Order F200233700P Emergency Stop Button Kit
	F200233700P	Emergency Stop Button Kit	Used to convert from 800E-series to 800F-series; Includes F200233401 Contact Block Switch and F200233500 Emergency Stop Pushbutton
	F200233500	Emergency Stop Pushbutton	800F-series
4	F230724P	Keypad Decal	
5	F140218P	Ribbon Cable	16 conductor; 12 inch; From interface cca to computer; J8 plug
6	F140248P	Ribbon Cable	16 conductor; 15 inch; From computer to interface cca; J1 plug; DIP socket
7	F037062441P	WE-6 Computer	
8	F140219P	Ribbon Cable	26 conductor; 15 inch; From computer to output cca
9	F330187P	Contactorm	120 Volt; NX208
	F330188P	Contactorm	220 Volt; NX208
10	F180506	Standoff	
11	F0370446-21P	WE-6 Interface CCA Kit	
12	F330217P	RC Network Filter	Includes F140627 Connector and F141022 Connector
13	F608385	Mounting Panel Assembly	
14	F0370444-10P	Output CCA	120 Volt
	F8321901P	Output CCA	220 Volt
	F350110	Fuse	1 Amp; Slo blo
	F350109	Fuse	1/2 Amp; Fast blo
	F350108	Fuse	1/8 Amp; Slo blo
15	F422805	Tee	
16	F422404P	Tubing	
17	F340309P	Water Level Switch	High
18	F431022	Nut	
19	F431113	Washer	
20	F300203P	Buzzer	120 Volt
	N/A	Buzzer	220 Volt
21	F430917	Screw	
22	F340308P	Water Level Switch	Low
23	F630242	Water Level Switch Bracket	
24	F340445	Contact Block Switch	800E-series; Includes mounting base
	F200299500	Contact Block Switch	800E-series; Does not include mounting base
	F200233401	Contact Block Switch	800F-series
25	F430928	Screw	
26	F231562	Control Module Decal	

N/A = Part no longer available

New Style Control Module Assembly (Drawing 2 of 2)



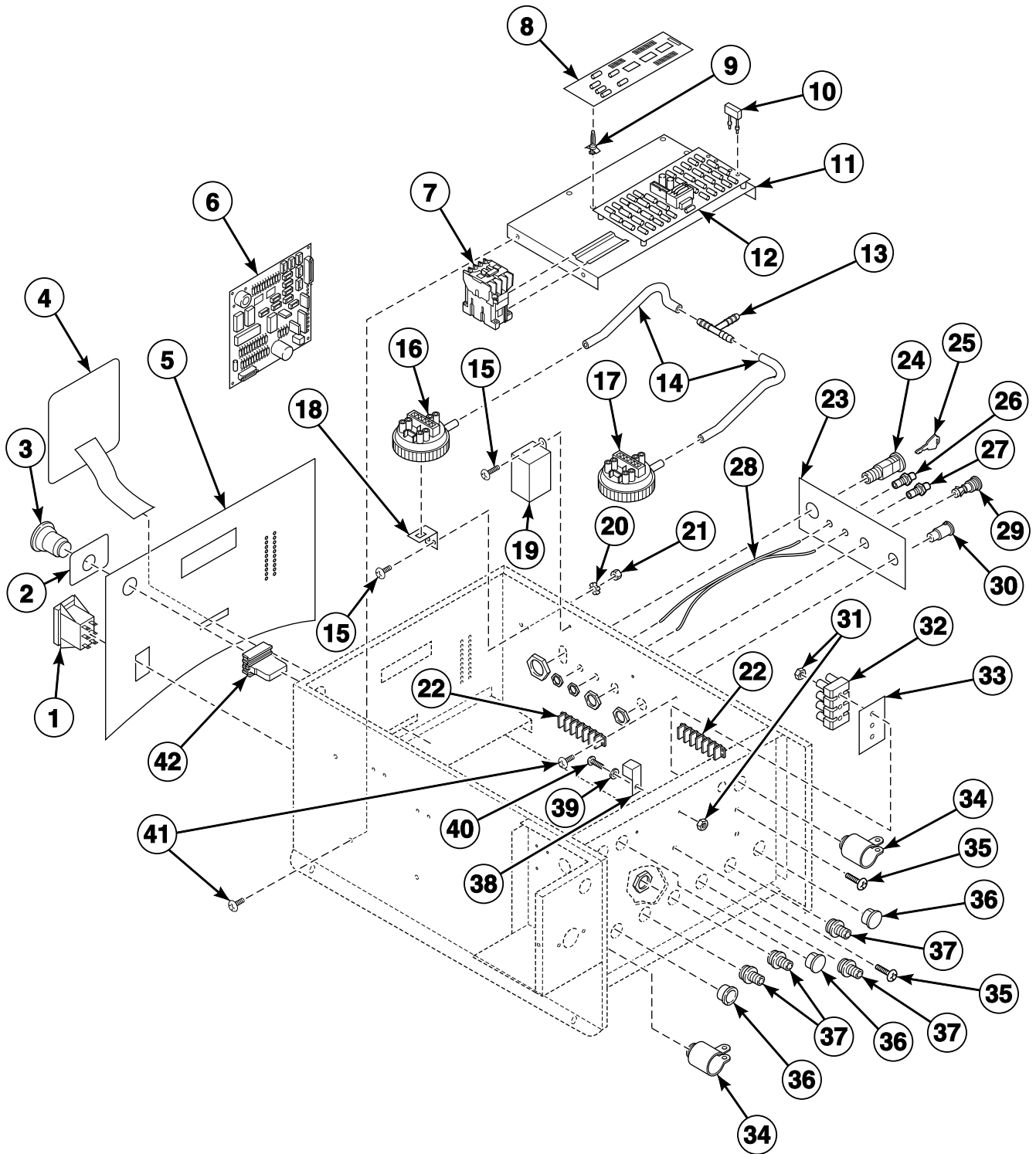
PHM3084P_F230546

New Style Control Module Assembly (Drawing 2 of 2)

REF	PART NO.	DESCRIPTION	COMMENTS
1	F140738	Terminal Strip	
2	F230678	Keymode Decal	
3	F200174600P	Keymode Assembly	
4	F370709	Program Key	Key code A153
5	F140575P	Connector	Gray
6	F140576P	Connector	Blue
7	F604713	Cable Assembly	
8	F350211	Circuit Breaker	3 Amp
9	F350412	Light	Red; 120 Volt
	F350414	Light	Red; 220 Volt
10	F431022	Nut	
11	F140747	Input Power Block	
12	F230677	Input Power Connector Decal	
13	F140311	Squeeze Connector	
14	F430916	Screw	
15	F140527	Plug	
16	F140309	Connector	
17	F140909	Insulator Bushing	
18	F200302	Hose Connector	
19	F431000	Nut	
20	F140734	Ground Terminal Lug	
21	F431106	Washer	
22	F430995	Screw	
23	F430928	Screw	
24	F230622	External Supply Decal	
25	F381724P	4-Way Valve	Elbi; 120 Volt
	F381723P	4-Way Valve	Elbi; 220 Volt
	G582P3	Diaphragm and Guide Kit	Elbi; Includes G300194 Armature Guide and G300202 Diaphragm
	F380715P	4-Way Valve	Mueller; 120 Volt
	N/A	Valve Repair Kit	Mueller
26	F140782	Terminal Block	
27	F430910	Screw	
28	F350115	Fuse	3 Amp
29	F0350312-10	Fuse Holder	

N/A = Part no longer available

Old Style Control Module Assembly



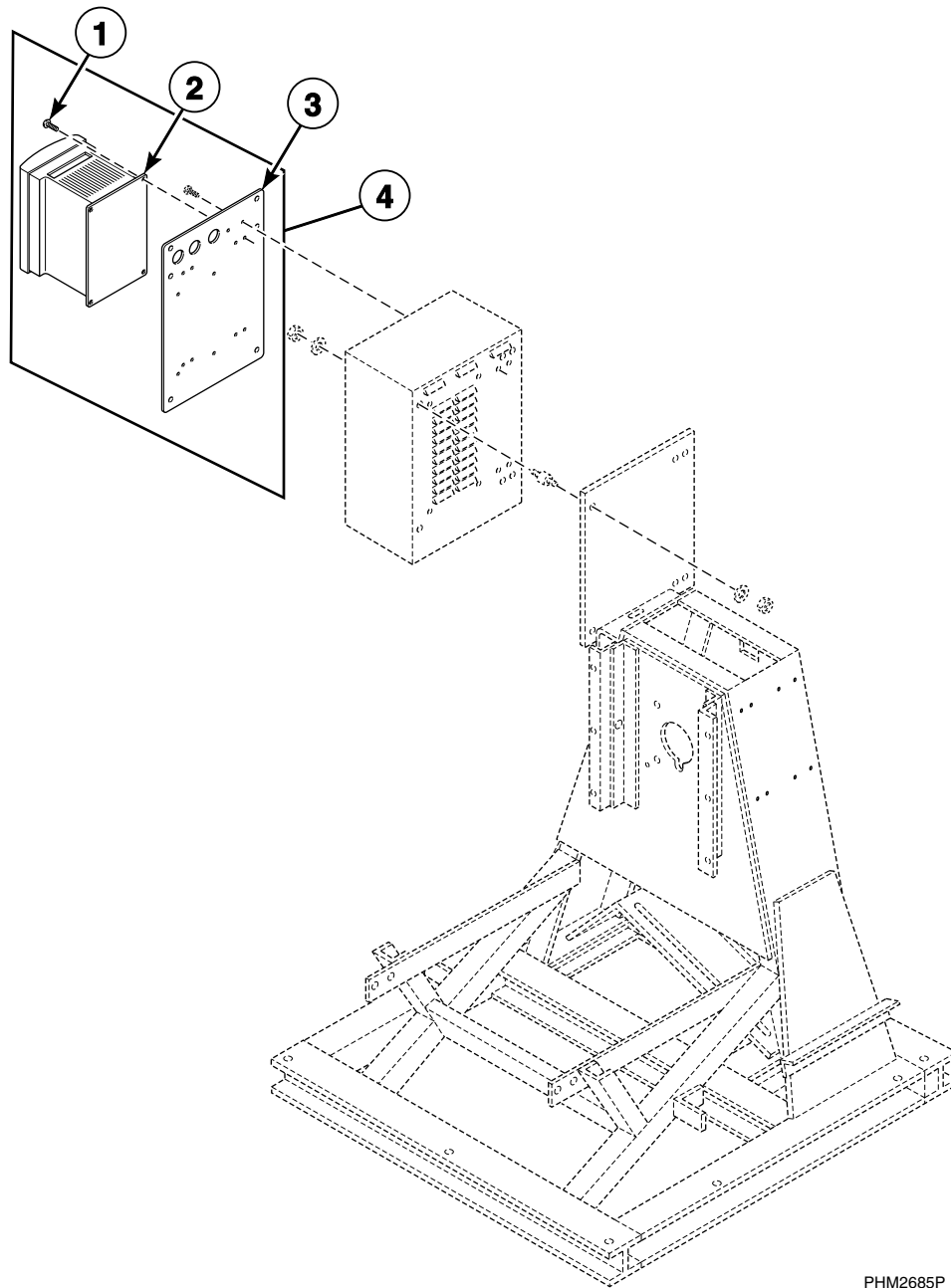
PHM3085P_F230546

Old Style Control Module Assembly

REF	PART NO.	DESCRIPTION	COMMENTS
1	F340412	Momentary Switch	
2	F231083	Emergency Stop Decal	
3	N/A	Emergency Stop Button Kit	800E-series; Order F200233700P Emergency Stop Button Kit
	F200233700P	Emergency Stop Button Kit	Used to convert from 800E-series to 800F-series; Includes F200233401 Contact Block Switch and F200233500 Emergency Stop Pushbutton
	F200233500	Emergency Stop Pushbutton	800F-series
4	F230724P	Keypad Decal	
5	F231562	Control Module Decal	
6	F037062441P	WE-6 Computer	
7	F330187P	Contactora	120 Volt; NX208
	F330188P	Contactora	220 Volt; NX208
8	F0370446-21P	WE-6 Interface CCA Kit	
9	F180506	Standoff	
10	F330217P	RC Network Filter	Includes F140627 Connector and F141022 Connector
11	F608385	Mounting Panel Assembly	
12	F0370444-10P	Output CCA	120 Volt
	F8321901P	Output CCA	220 Volt
	F350110	Fuse	1 Amp; Slo blo
	F350109	Fuse	1/2 Amp; Fast blo
	F350108	Fuse	1/8 Amp; Slo blo
13	F422805	Tee	
14	F422404P	Tubing	
15	F430917	Screw	
16	F340308P	Water Level Switch	Low
17	F340309P	Water Level Switch	High
18	F630242	Water Level Switch Bracket	
19	F300203P	Buzzer	120 Volt
	N/A	Buzzer	220 Volt
20	F431113	Washer	
21	F431022	Nut	
22	F140738	Terminal Strip	
23	F230678	Keymode Decal	
24	F200174600P	Keymode Assembly	
25	F370709	Program Key	Key code A153
26	F140575P	Connector	Gray
27	F140576P	Connector	Blue
28	F604713	Cable Assembly	
29	F350211	Circuit Breaker	3 Amp
30	F350412	Light	Red; 120 Volt
	F350414	Light	Red; 220 Volt
31	F430231	Nut	
32	F140747	Input Power Block	
33	F230677	Input Power Connector Decal	
34	F140311	Squeeze Connector	
35	F430916	Screw	
36	F140527	Plug	
37	F140309	Connector	
38	F140734	Ground Terminal Lug	
39	F431106	Washer	
40	F430995	Screw	
41	F430928	Screw	
42	F340445	Contact Block Switch	800E-series; Includes mounting base
	F200299500	Contact Block Switch	800E-series; Does not include mounting base
	F200233401	Contact Block Switch	800F-series

N/A = Part no longer available

PowerFlex 40 AC Drive

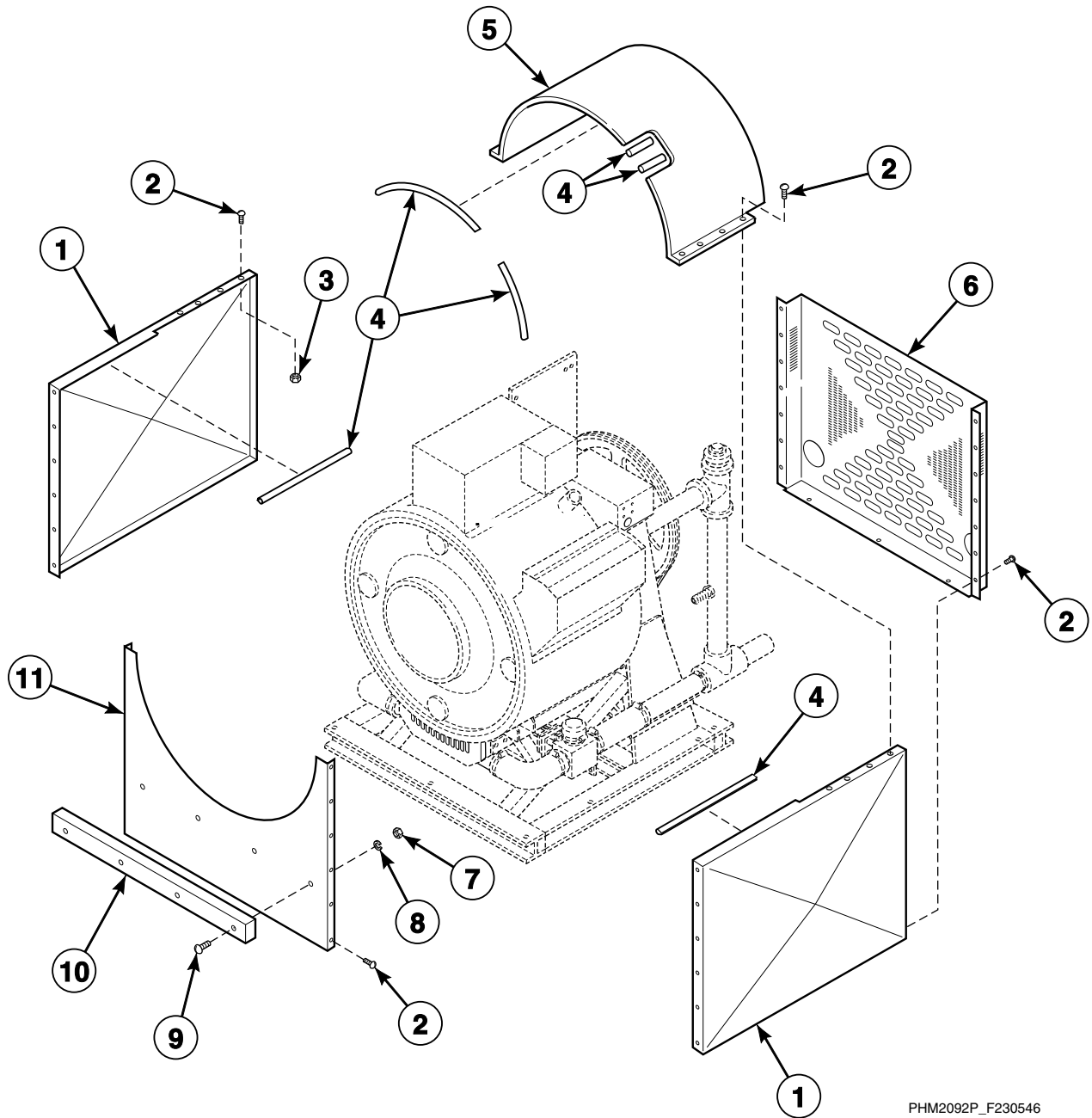


PHM2685P_F230546

PowerFlex 40 AC Drive

REF	PART NO.	DESCRIPTION	COMMENTS
1	F430920	Screw	
2	F8169634	Drive	Q-voltage; Requires software ID code HRWC18 or later (F037062541 Software Chip); Used with F220218UP Motor
	F8169635	Drive	Q-voltage; Requires software ID code HRWC18 or later (F037062541 Software Chip); Used with F220437 Motor
	F8169636	Drive	N and P-voltage; Requires software ID code HRWC18 or later (F037062541 Software Chip); Used with F220437 Motor
	F8169686	Drive	Q-voltage; Used with Marathon F8334801 Motor; Replacement drive for after F8286105 PowerFlex 40 AC Drive Retrofit Kit has been installed
	F8169687	Drive	N and P-voltage; Used with Marathon F8334801 Motor; Replacement drive for after F8286204 PowerFlex 40 AC Drive Retrofit Kit has been installed
3	F8018200	Drive Mounting Plate Assembly	
4	F8286102	PowerFlex 40 AC Drive Retrofit Kit	Q-voltage; Includes items 1-3, F037062541 Software Chip, 45121 Wire (1 foot), F140329 Strain Relief Connector (PG13.5), F140226 Cable and F140605 Cable Tie; Used with F220218UP Motor
	F8286103	PowerFlex 40 AC Drive Retrofit Kit	Q-voltage; Includes items 1-3, F037062541 Software Chip, 45121 Wire (1 foot), F140329 Strain Relief Connector (PG13.5), F140226 Cable and F140625 Cable Tie; Used with F220437 Motor
	F8286105	PowerFlex 40 AC Drive Retrofit Kit	Q-voltage; Replaces F370835 Inverter Drive; Includes F8169686 Drive; Used with Marathon F8334801 Motor
	F8286202	PowerFlex 40 AC Drive Retrofit Kit	N and P-voltage; Includes items 1-3, F037062541 Software Chip, 45121 Wire (1 foot), F140329 Strain Relief Connector (PG13.5), F140226 Cable and F140625 Cable Tie; Used with F220437 Motor
	F8286204	PowerFlex 40 AC Drive Retrofit Kit	N and P-voltage; Replaces F370834 Inverter Drive; Includes F8169687 Drive; Used with Marathon F8334801 Motor

New Style Cover Panels

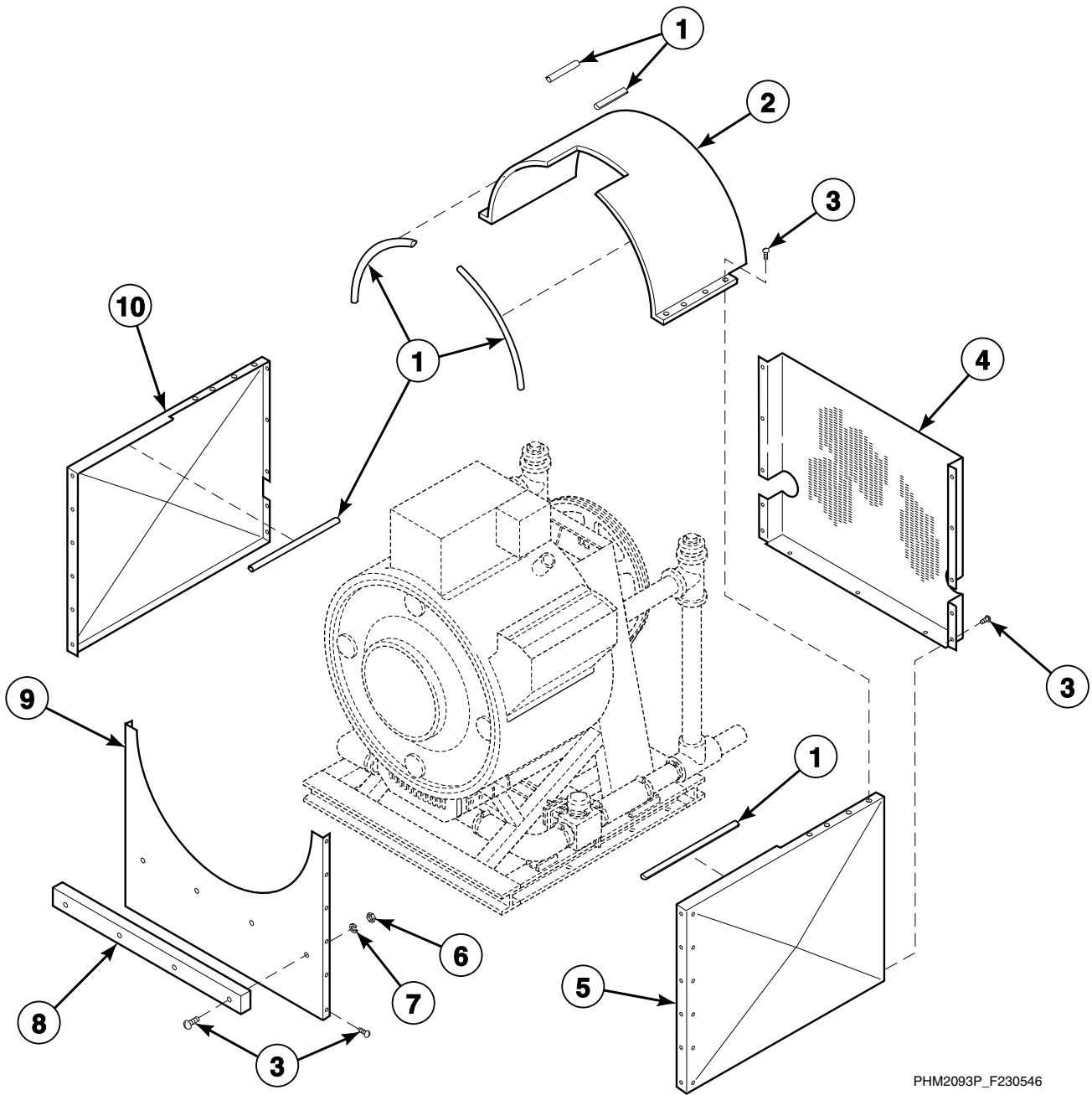


PHM2092P_F230546

New Style Cover Panels

REF	PART NO.	DESCRIPTION	COMMENTS
1	F631553P	Side Panel	Reversible
2	F430956	Screw	
3	F430264	Nut	Tinnerman
4	F170400RP	Trim	
5	F633783	Cage Wrap Assembly	
6	F633777P	Rear Panel	
7	F430211	Nut	
8	F431100	Washer	
9	F430921	Screw	
10	F601839	Rub Rail	
11	F631560	Front Panel	

Old Style Cover Panels



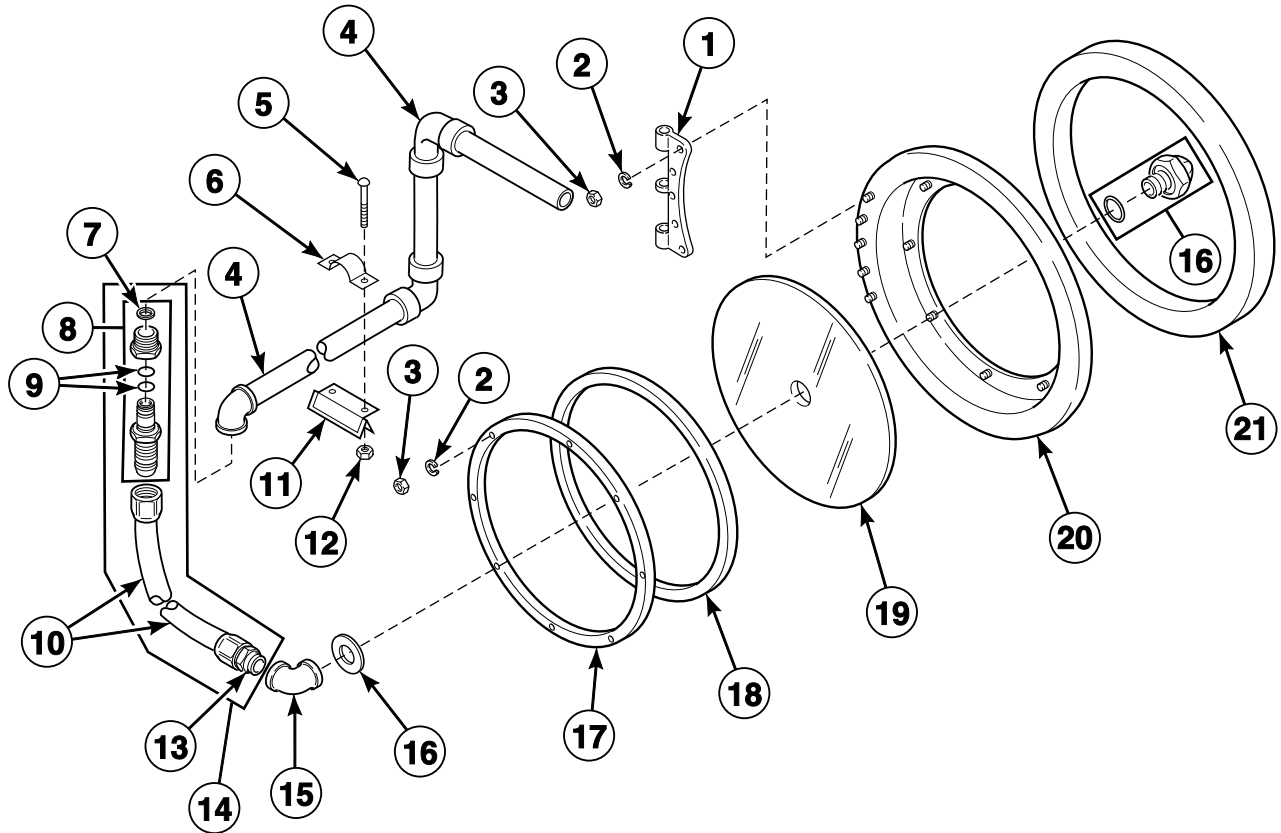
PHM2093P_F230546

Old Style Cover Panels

REF	PART NO.	DESCRIPTION	COMMENTS
1	F170400RP	Trim	
2	N/A	Cage Wrap Assembly	
3	F430956	Screw	
4	F631559	Rear Panel	
5	F601838P	Right Side Panel	
6	F430211	Nut	
7	F431100	Washer	
8	F601839	Rub Rail	
9	F601837P	Front Panel	
10	N/A	Left Side Panel	

N/A = Part no longer available

Door Assembly - 2 Door Box (Drawing 1 of 2)

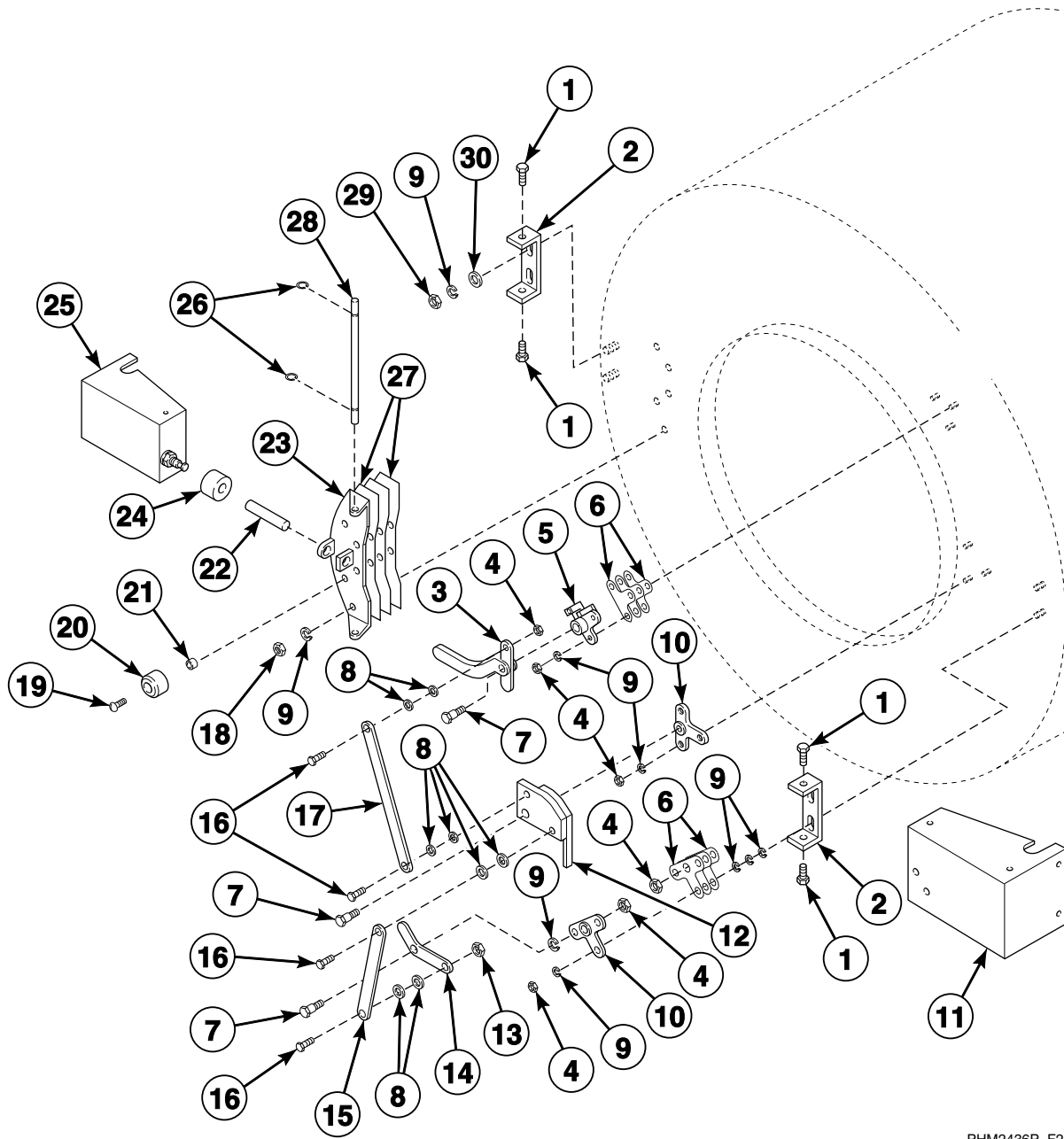


PHM2435P_F230546

Door Assembly - 2 Door Box (Drawing 1 of 2)

REF	PART NO.	DESCRIPTION	COMMENTS
1	F150233	Door Butt	
2	F431100	Washer	
3	F431026	Nut	
4	F610363	Spray Rinse Tube Assembly	
5	F430917	Screw	
6	F602880	Spray Rinse Strap	
7	F310206	Ring Retainer	
8	F422108	Swivel Coupling	Includes items 7 and 9
9	F170200	O-Ring	
10	F610068	Hose	
11	F602901P	Spray Rinse Bracket Assembly	Includes items 5 and 12
12	F431022	Nut	
13	F422109	No-Swivel Coupling	
14	F730023	Spray Rinse Hose Kit	Includes items 7-10 and 13
15	F422319	Elbow	
16	F730077	Spray Rinse Nozzle Kit	Includes F431905 Washer, F170201 O-Ring and F380301 Spray Rinse Nozzle
17	F320102	Door Retainer Spinning	
18	F170115	Door Glass Gasket	
19	F290204P	Door Glass Kit	
20	F730316	Studded Door Kit	
21	F8434801	Door Gasket	

Door Assembly - 2 Door Box (Drawing 2 of 2)

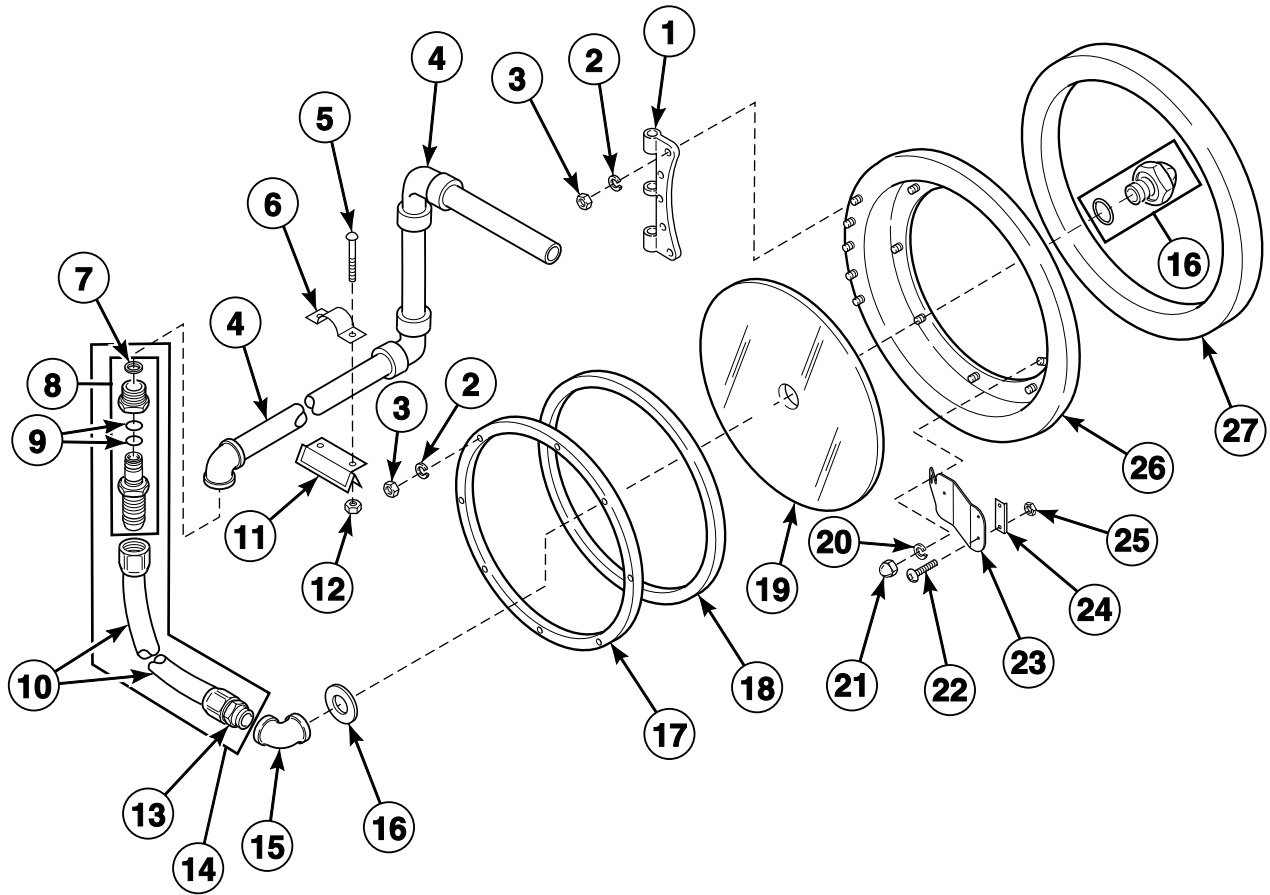


PHM2436P_F230546

Door Assembly - 2 Door Box (Drawing 2 of 2)

REF	PART NO.	DESCRIPTION	COMMENTS
1	201415	Screw	
2	F601129	Door Box Mounting Bracket	
3	F150203	Door Handle Casting	
4	F431118	Washer	
5	F150201P	Top Latch Bracket Casting	
6	F602058	Door Latch Bracket Shim	
7	F430168	Screw	
8	F431026	Nut	
9	F431100	Washer	
10	F150202	Lower Door Latch Bracket Casting	
11	F601707	Door Box	Right
12	F608803	Door Lock Pivot Plate	
13	F430205	Nut	
14	F150204	Lower Door Latch Casting	
15	F610220	Door Extension Arm	Lower; Short
16	F430927	Screw	
17	F610221	Door Extension Arm	Upper; Long
18	F431005	Nut	
19	F430103	Screw	
20	F150366	Door Bumper Moulding	
21	F430416	Door Bumper Bushing	
22	F603105	Door Cam Adjusting Rod	
23	F150228	Door Hinge	
24	F604730	Nut	
25	F601706	Door Box	Left
26	F310215	Retaining Ring	
27	F601948	Door Butt Shim	
28	F432307	Door Hinge Pin	
29	F430215	Nut	
30	F430317	Washer	

Door Assembly - 1 Door Box (Drawing 1 of 2)

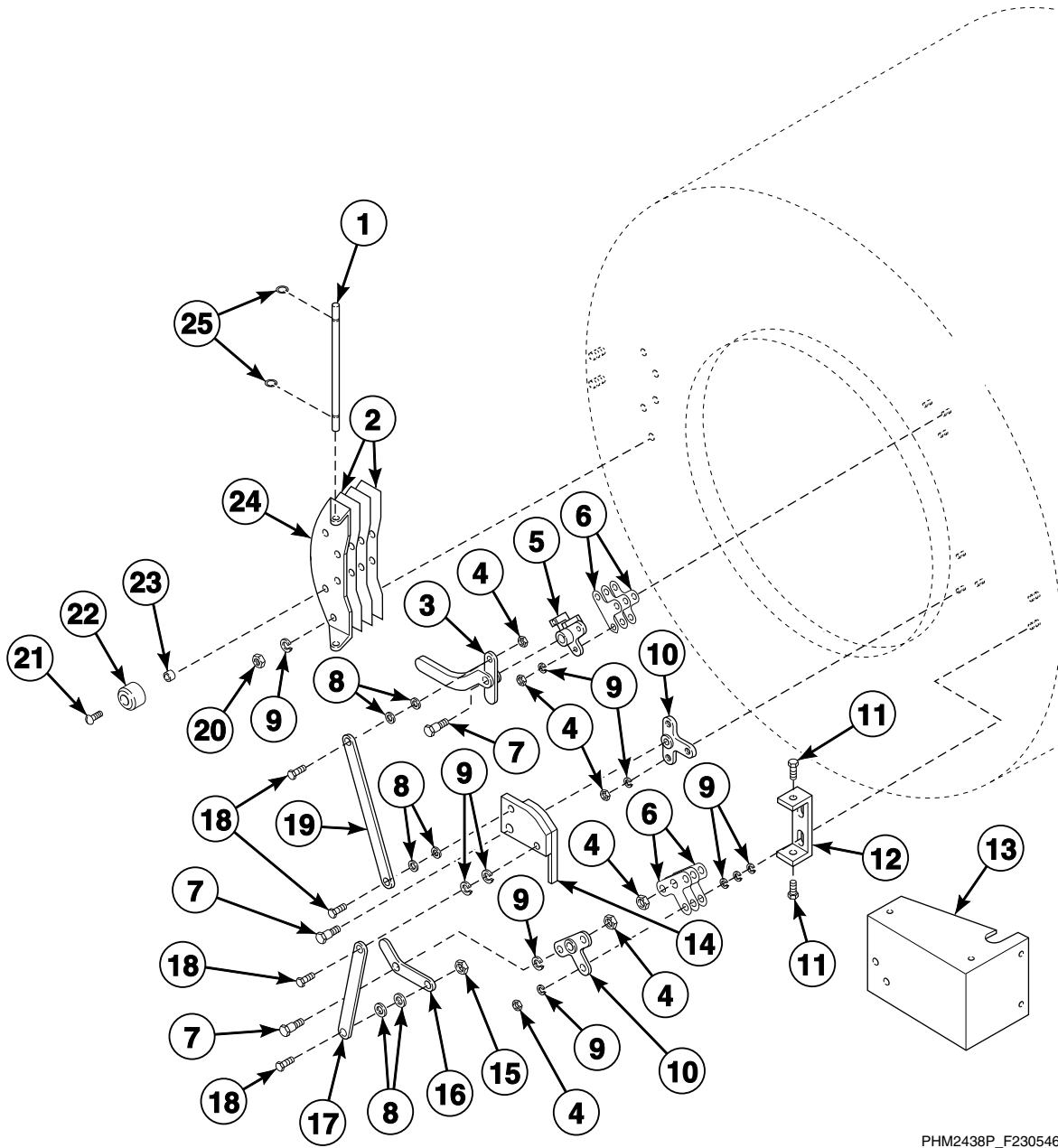


PHM2437P_F230546

Door Assembly - 1 Door Box (Drawing 1 of 2)

REF	PART NO.	DESCRIPTION	COMMENTS
1	F150233	Door Butt	
2	F431100	Washer	
3	F431026	Nut	
4	F610363	Spray Rinse Tube Assembly	
5	F430917	Screw	
6	F602880	Spray Rinse Strap	
7	F310206	Ring Retainer	
8	F422108	Swivel Coupling	Includes items 7 and 9
9	F170200	O-Ring	
10	F610068	Hose	
11	F602901P	Spray Rinse Bracket Assembly	Includes items 5 and 12
12	F431022	Nut	
13	F422109	No-Swivel Coupling	
14	F730023	Spray Rinse Hose Kit	Includes items 7-10 and 13
15	F422319	Elbow	
16	F730077	Spray Rinse Nozzle Kit	Includes F431905 Washer, F170201 O-Ring and F380301 Spray Rinse Nozzle
17	F320102	Door Retainer Spinning	
18	F170115	Door Glass Gasket	
19	F290204P	Door Glass Kit	
20	F431100	Washer	
21	F431026	Nut	
22	F430916	Screw	
23	F634416	Door Handle	
24	F8390801	Magnet	
25	F430231	Nut	
26	F634678	Studded Door Assembly	
27	F8434801	Door Gasket	

Door Assembly - 1 Door Box (Drawing 2 of 2)

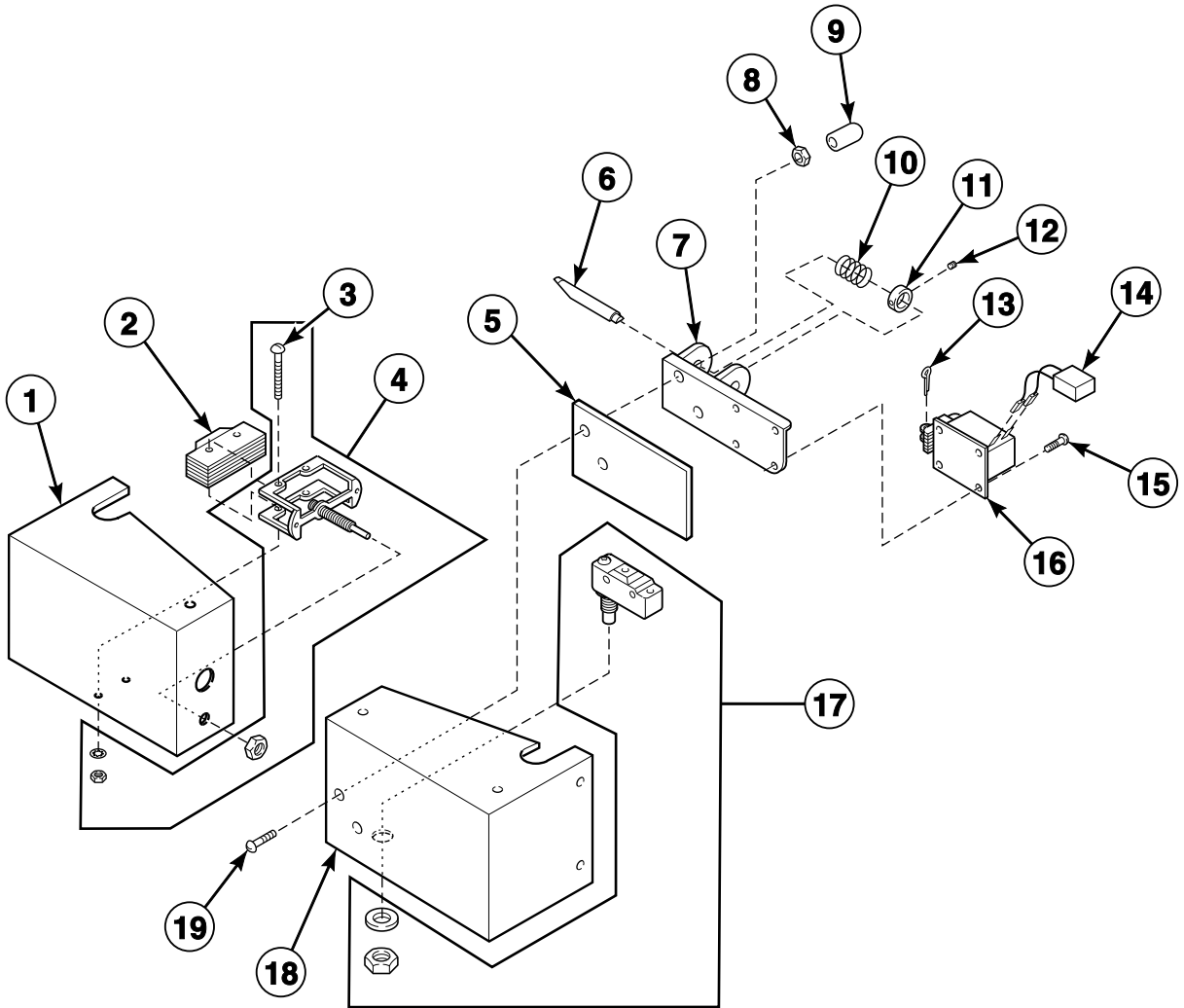


PHM2438P_F230546

Door Assembly - 1 Door Box (Drawing 2 of 2)

REF	PART NO.	DESCRIPTION	COMMENTS
1	F432307	Door Hinge Pin	
2	F601948	Door Butt Shim	
3	F150203	Door Handle Casting	
4	F431118	Washer	
5	F150201P	Top Latch Bracket Casting	
6	F602058	Door Latch Bracket Shim	
7	F430168	Screw	
8	F431026	Nut	
9	F431100	Washer	
10	F150202	Lower Door Latch Bracket Casting	
11	201415	Screw	
12	F601129	Door Box Mounting Bracket	
13	F634822	Door Box Assembly	Right
14	F608803	Door Lock Pivot Plate	
15	F430205	Nut	
16	F150204	Lower Door Latch Casting	
17	F610220	Door Extension Arm	Lower; Short
18	F430927	Screw	
19	F610221	Door Extension Arm	Upper; Long
20	F431005	Nut	
21	F430103	Screw	
22	F150366	Door Bumper Moulding	
23	F430416	Door Bumper Bushing	
24	F150228	Door Hinge	
25	F310215	Retaining Ring	

2 Door Box Assembly - Solenoid without Plunger Style

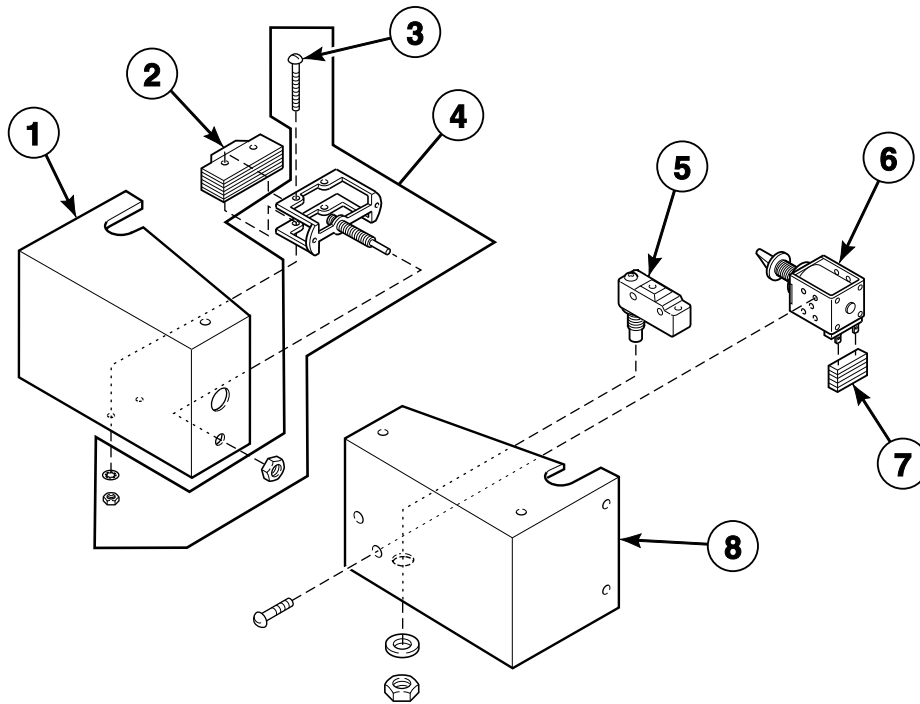


PHM2096P_F230546

2 Door Box Assembly - Solenoid without Plunger Style

REF	PART NO.	DESCRIPTION	COMMENTS
1	F601706	Door Box	Left
2	F340901	Switch	
3	F430995	Screw	
4	F340913	Switch Extension	Includes item 3, nuts and washer
5	F170135	Door Lock Gasket	
6	F601081	Door Lock Plunger	
7	F150200	Bracket Casting	
8	F430211	Nut	
9	F190300	Cap	
10	F310119	Door Lock Solenoid Spring	
11	F150288	Door Lock Collar	
12	F430502	Screw	
13	F431201	Cotter Pin	
14	F330217P	RC Network Filter	Includes F140627 Connector and F141022 Connector
15	F430917	Screw	
16	F300101P	Door Solenoid	120 Volt
17	F340900	Interlock Switch	Includes washer and nut
18	F601707	Door Box	Right
19	F430925	Screw	

2 Door Box Assembly - Solenoid with Plunger Style

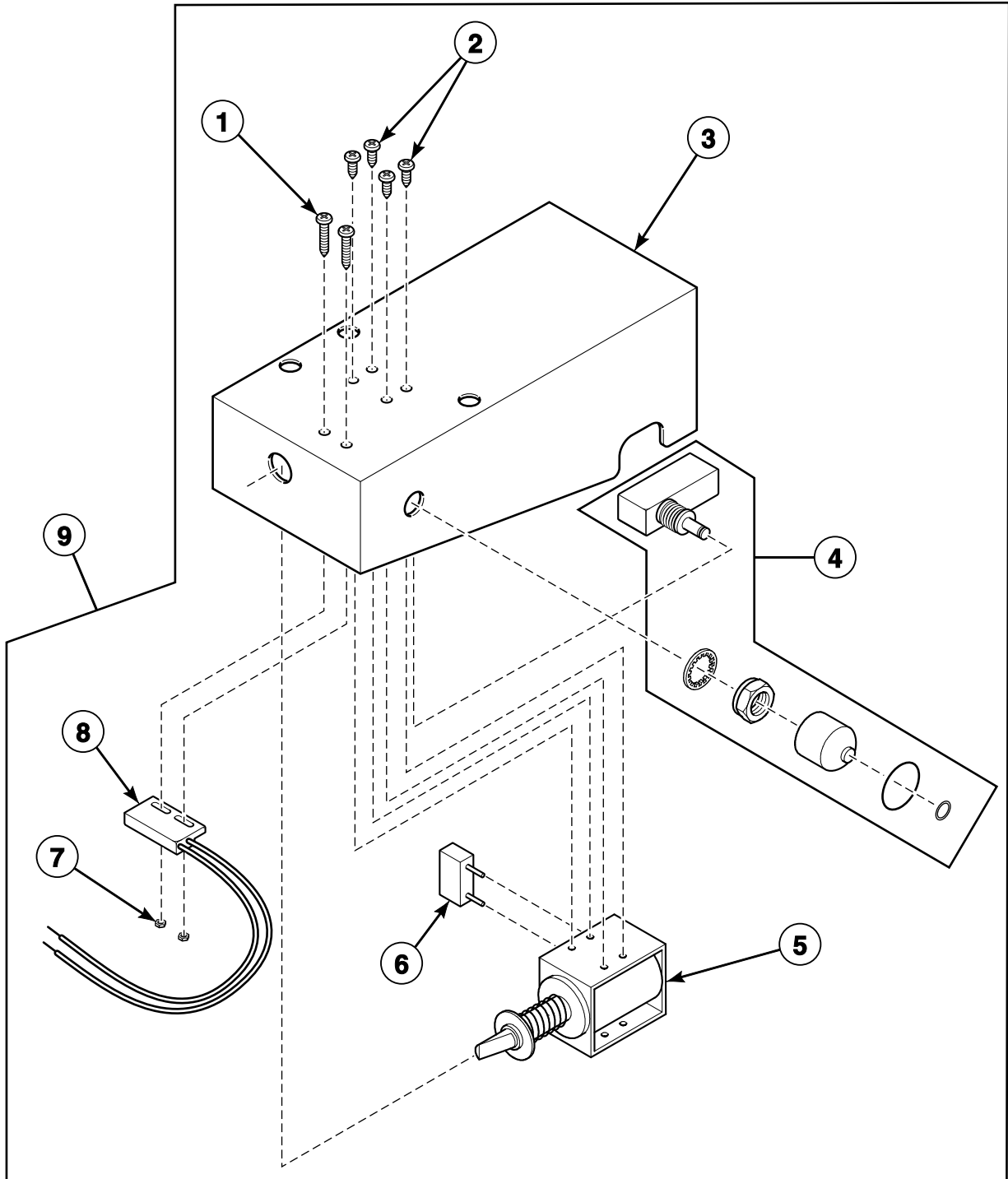


PHM2097P_F230546

2 Door Box Assembly - Solenoid with Plunger Style

REF	PART NO.	DESCRIPTION	COMMENTS
1	F601706	Door Box	Left
2	F340901	Switch	
3	F430995	Screw	
4	F340913	Switch Extension	Includes item 3, washer and nuts
5	F340900	Interlock Switch	Includes washer and nut
6	F300118P	Door Lock Solenoid	120 Volt
7	F330217P	RC Network Filter	Includes F140627 Connector and F141022 Connector
8	F601707	Door Box	Right

1 Door Box Assembly

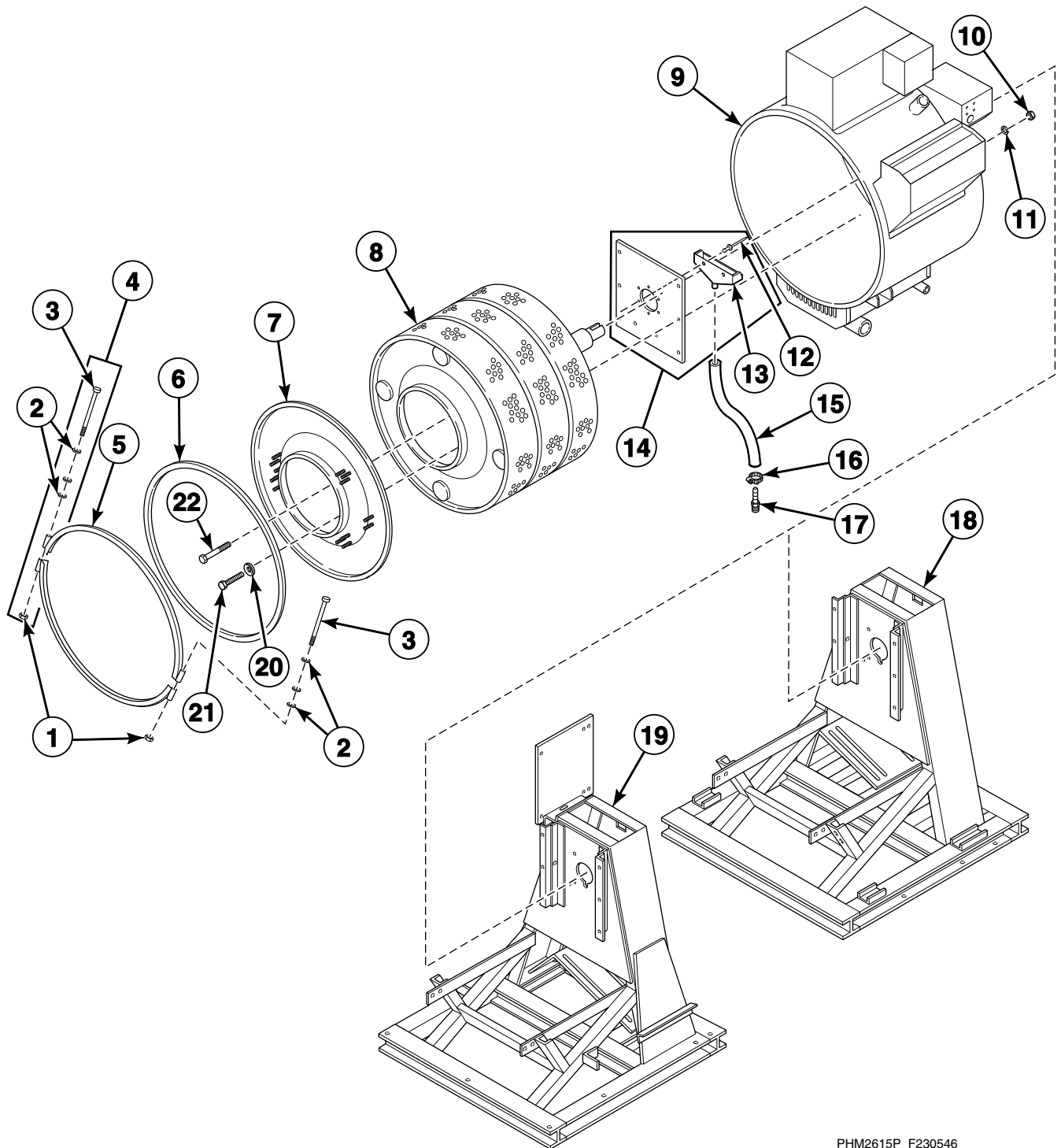


PHM2238P_F230546

1 Door Box Assembly

REF	PART NO.	DESCRIPTION	COMMENTS
1	F430928	Screw	
2	F430995	Screw	
3	F634415	Door Box	
4	F340906	Microswitch	
5	F300118P	Door Lock Solenoid	120 Volt
	F300129P	Door Lock Solenoid	220 Volt
6	F330217P	RC Network Filter	Includes F140627 Connector and F141022 Connector
7	F430231	Nut	
8	F200321200	Magnetic Switch Assembly	
9	F634822	Door Box Assembly	Includes items 1-8; 120 Volt
	F634822-1	Door Box Assembly	Includes items 1-8; 220 Volt

Basket, Shell and Frame



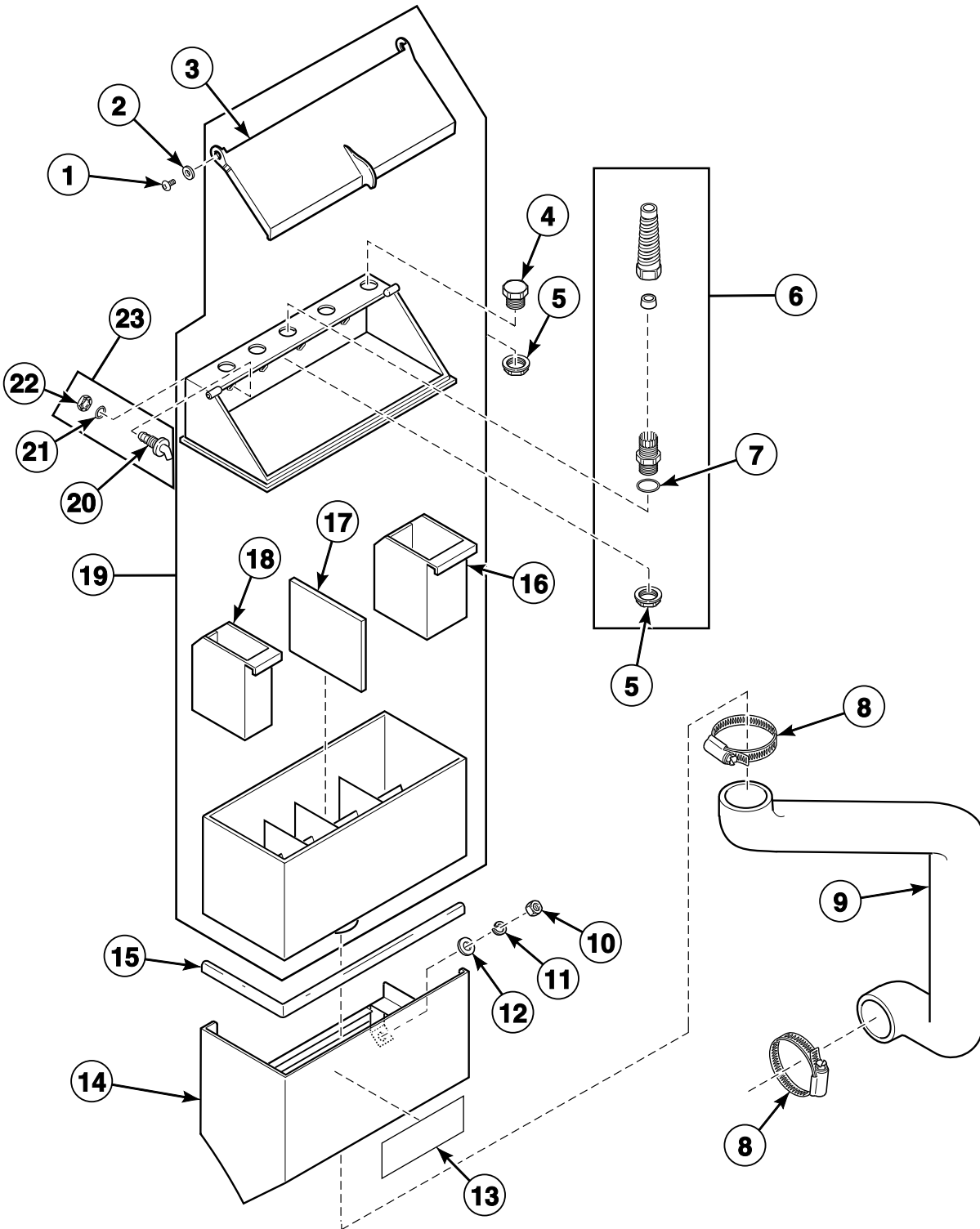
PHM2615P_F230546

Basket, Shell and Frame

REF	PART NO.	DESCRIPTION	COMMENTS
1	F430215	Nut	
2	F430317	Washer	
3	F430518	Screw	
4	F791001	Shell Band Fastener Kit	Includes items 1-3; 2 required per shell band assembly
5	F603630	Shell Band Assembly	2 required
6	F170120RP	Shell Band Gasket	
7	F608747P	Shell Front Weldment	2 door box models
	F8136001P	Shell Front Weldment	1 door box models
	F634691	Shell Front Assembly	1 door box models; Includes F8136001 Shell Front Weldment, F0602058-00 Door Bracket Latch Shim, F150201 Top Latch Bracket Casting, F150202 Lower Door Latch Bracket Casting, F150203 Door Handle Casting, F150204 Lower Door Latch Casting, F150233 Door Butt, F310215 Retaining Ring, F430103 Screw, F430168 Screw, F430231 Nut, F430312 Washer, F430416 Door Bushing, F430916 Screw, F430927 Screw, F431026 Nut, F431043 Nut, F431100 Washer, F431118 Washer, F431125 Washer, F432307 Door Pin, F601639 Extension Arm Tab, F601948 Door Butt Shim, F634693 Door Box Plate Assembly, F704529 Lubricant, F150366 Door Bumper Moulding and F8022301 Extension Arm Weldment
8	F603686	Basket Assembly	
9	F634440	Shell Weldment	Standard
	F741020-10	Pinch Drain Shell Kit	
10	70142	Nut	
11	M400013	Washer	
12	F431210	Pop Rivet	
13	F150389	Scupper	
14	F604051	Shell Plate Assembly	Includes items 12 and 13
15	F200107P	Water Hose	
16	36801	Hose Clamp	No. 6
17	F421929	Hose Barb	
18	F601754-1	Frame Assembly	Design 1-3
19	F063402100	Frame Weldment	Design 4
20	F431116	Washer	
21	F430924	Screw	
22	N/A	Screw	

N/A = Part no longer available

New Style Supply Dispenser

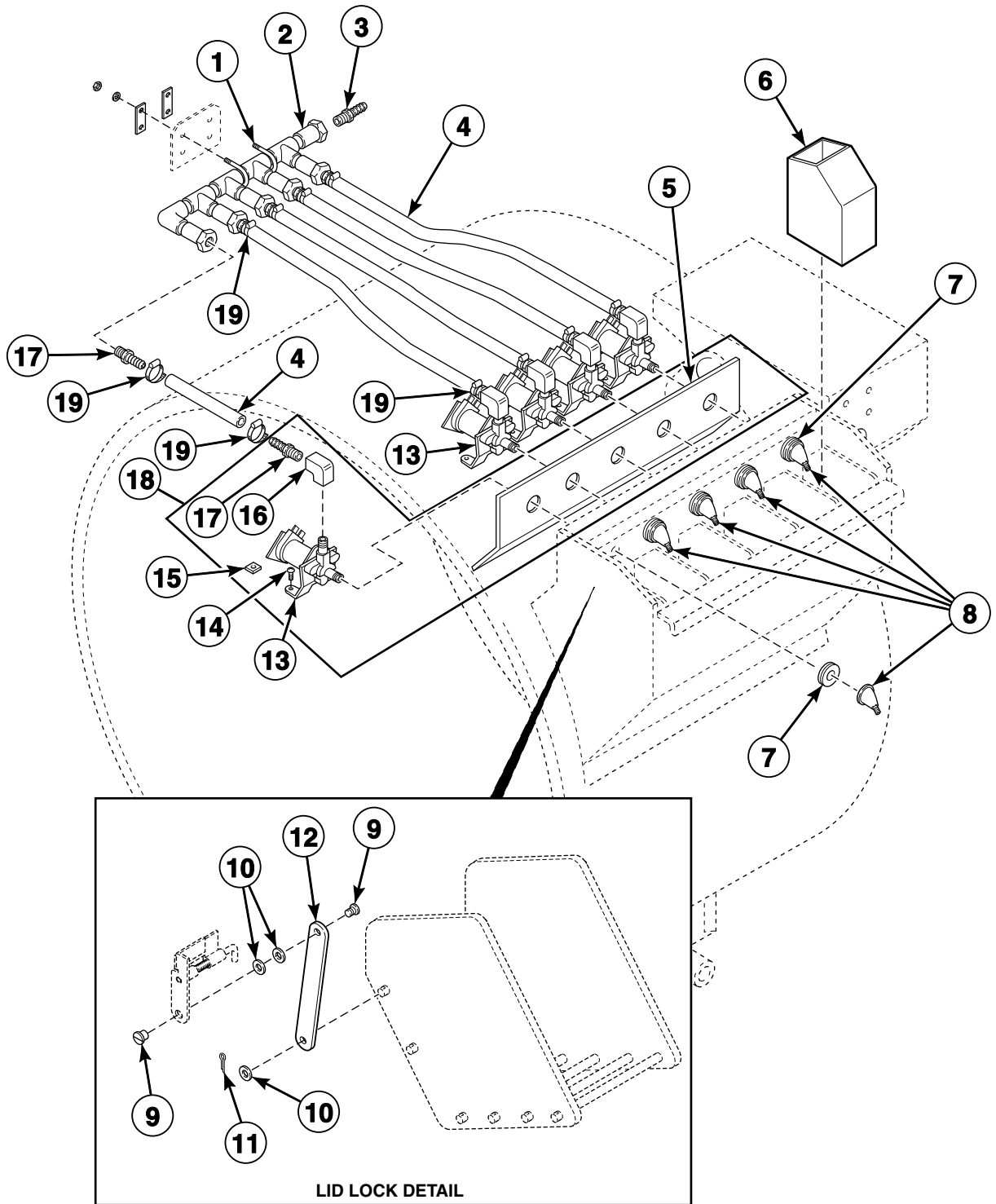


PHM2258P_F230546

New Style Supply Dispenser

REF	PART NO.	DESCRIPTION	COMMENTS
1	F430917	Screw	
2	F431133	Washer	
3	F0150514-00	Dispenser Lid	
4	F190304	Plug Cap	
5	F140340P	Strain Relief Connector	
6	F749802	Strain Relief Adapter Kit	Includes items 5, 7 and F170165 Plug
7	F170215	O-Ring	
8	F200213	Hose Clamp	No. 40
9	F150487	Chemical Supply Hose	
10	F431005	Nut	
11	F431100	Washer	
12	F8195301	Washer	
13	F231436	Supply Dispenser Hazard Caution Decal	
14	F8024303	Dispenser Shroud Weldment	
15	F170400RP	Trim	
16	F150386	Chemical Supply Cup	32 ounce; 2 required
17	F0150525-00	Supply Dispenser Spacer	
18	F150385	Chemical Supply Cup	20 ounce; 3 required
19	F0150512-00P	Dispenser Assembly	Includes items 3 and 16-18
20	F8322001	Injection Nozzle	
21	F170208	O-Ring	
22	802292	Nut	
23	F730168	Injection Nozzle Kit	Includes items 20-22

Old Style Supply Dispenser with Horton Valve



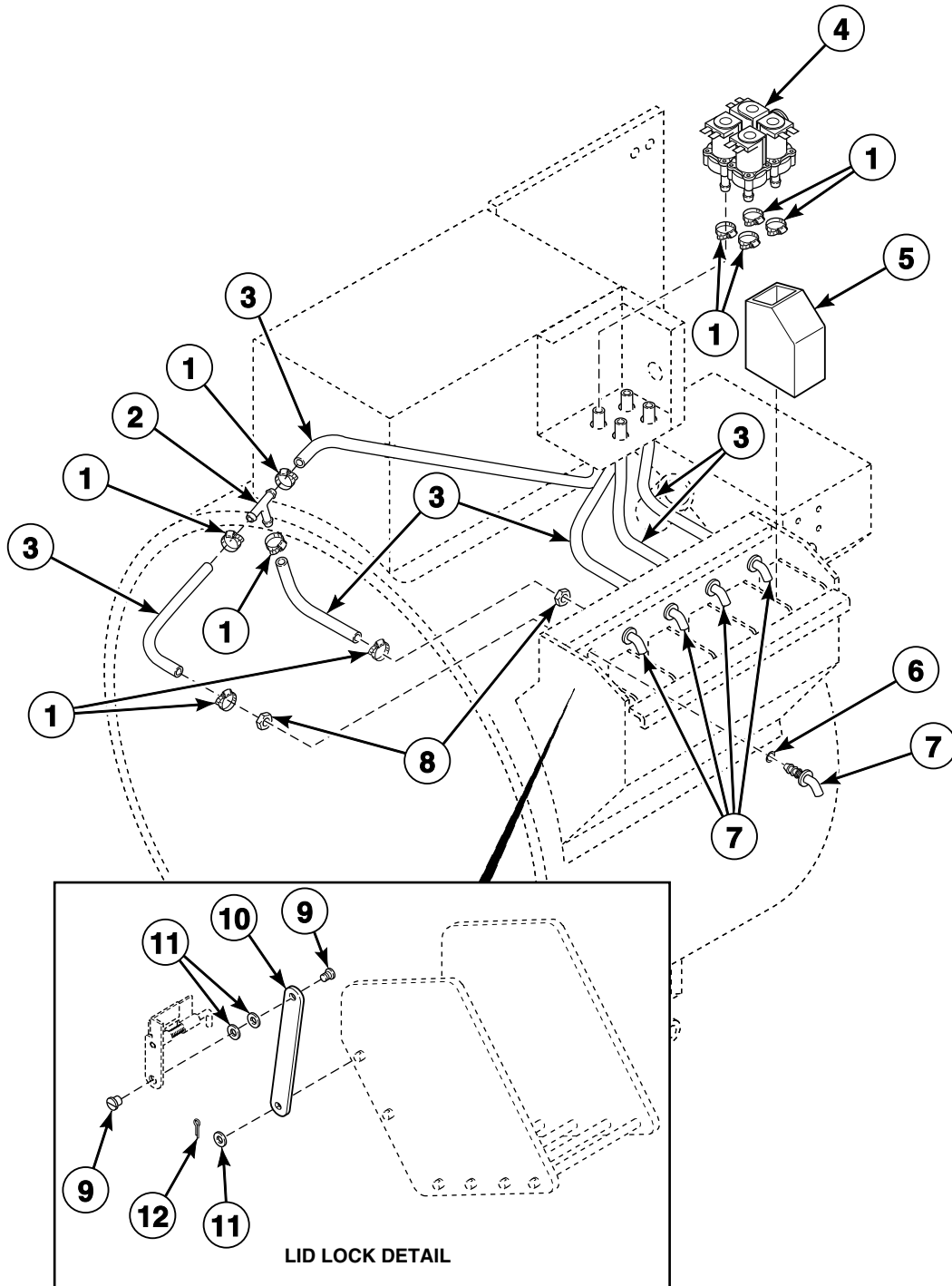
PHM2098P_F230546

Old Style Supply Dispenser with Horton Valve

REF	PART NO.	DESCRIPTION	COMMENTS
1	F200401P	U-Bolt Clamp	Includes hardware
2	F603084	Soap Dispenser Manifold Assembly	
3	N/A	Hose Barb	
4	F200107P	Water Hose	
5	F601795	Soap Dispenser Shelf	
6	F603413	Soap Supply Cup	64 ounce
7	F140910	Insulator Bushing	
8	F422310	Street Elbow	
9	F730087	Post and Screw Kit	Includes F430147 Rivet Post, F430986 Screw, F431104 Washer and F431106 Washer
10	F431123	Washer	
11	F431202	Cotter Pin	
12	N/A	Soap Dispenser Link Arm	
13	F380708P	Solenoid Valve	120 Volt
	F380709P	Solenoid Valve	240 Volt
14	F430956	Screw	
15	F430264	Nut	Tinnerman
16	J1188192	Pipe Elbow	
17	F421929	Hose Barb	
18	F604602P	Supply Valve Manifold Assembly	120 Volt; Includes items 5, 13-17, F430174 Screw and J1188192 Pipe Elbow
19	36801	Hose Clamp	No. 6

N/A = Part no longer available

Old Style Supply Dispenser with Mueller Valve



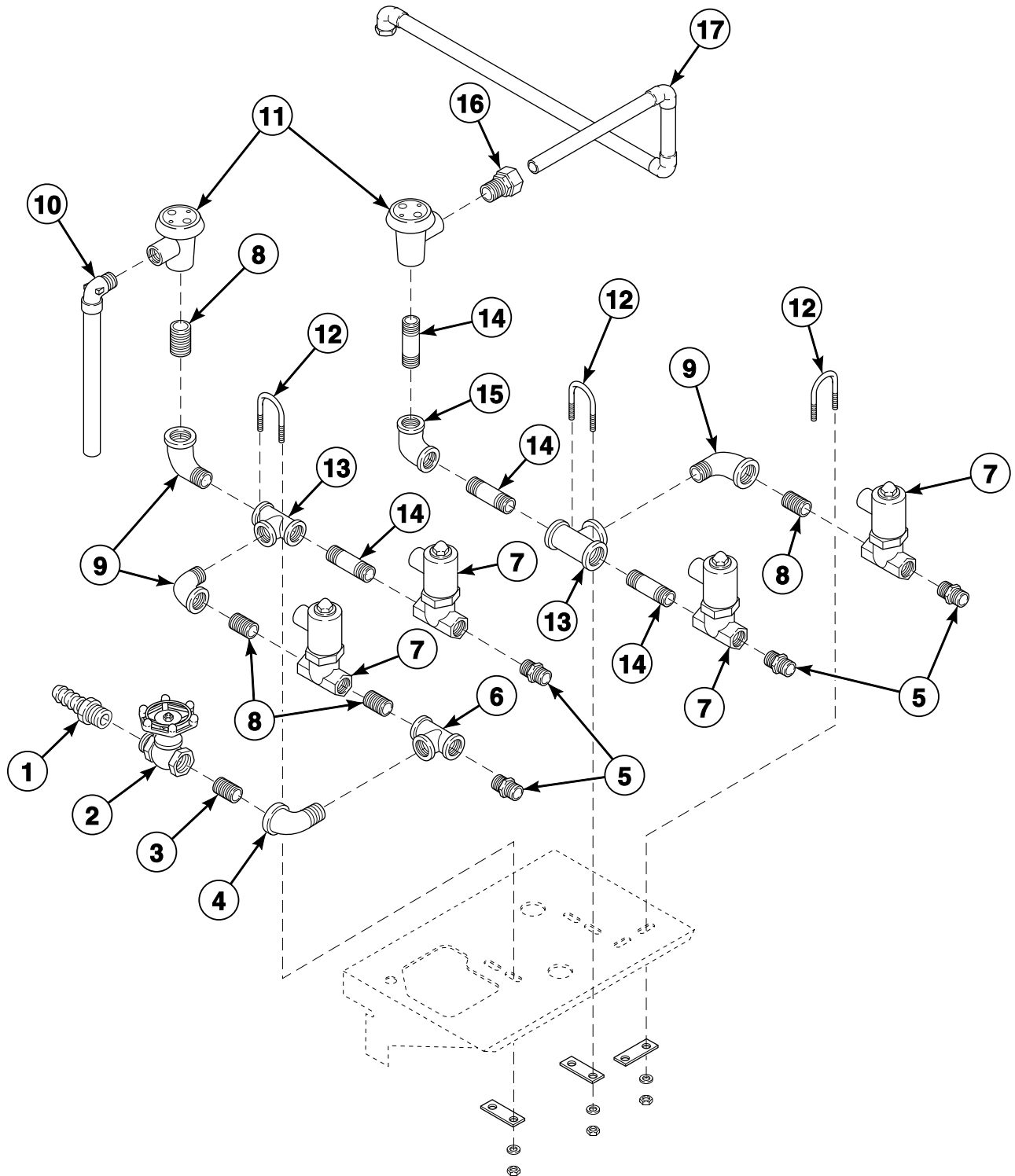
PHM2099P_F230546

Old Style Supply Dispenser with Mueller Valve

REF	PART NO.	DESCRIPTION	COMMENTS
1	36801	Hose Clamp	No. 6
2	F422808	Y Connector	
3	F200107P	Water Hose	
4	F380715P	4-Way Valve	120 Volt
	N/A	Valve Repair Kit	
5	F603413	Soap Supply Cup	
6	F170208	O-Ring	
7	F730168	Injection Nozzle Kit	Includes items 6-8
	F8322001	Injection Nozzle	
8	802292	Nut	
9	F730087	Post and Screw Kit	Includes F430147 Rivet Post, F430986 Screw, F431104 Washer and F431106 Washer
10	N/A	Soap Dispenser Link Arm	
11	F431123	Washer	
12	F431202	Cotter Pin	

N/A = Part no longer available

Spray and Fill Plumbing Assembly with 3/4-Inch Hays Valves



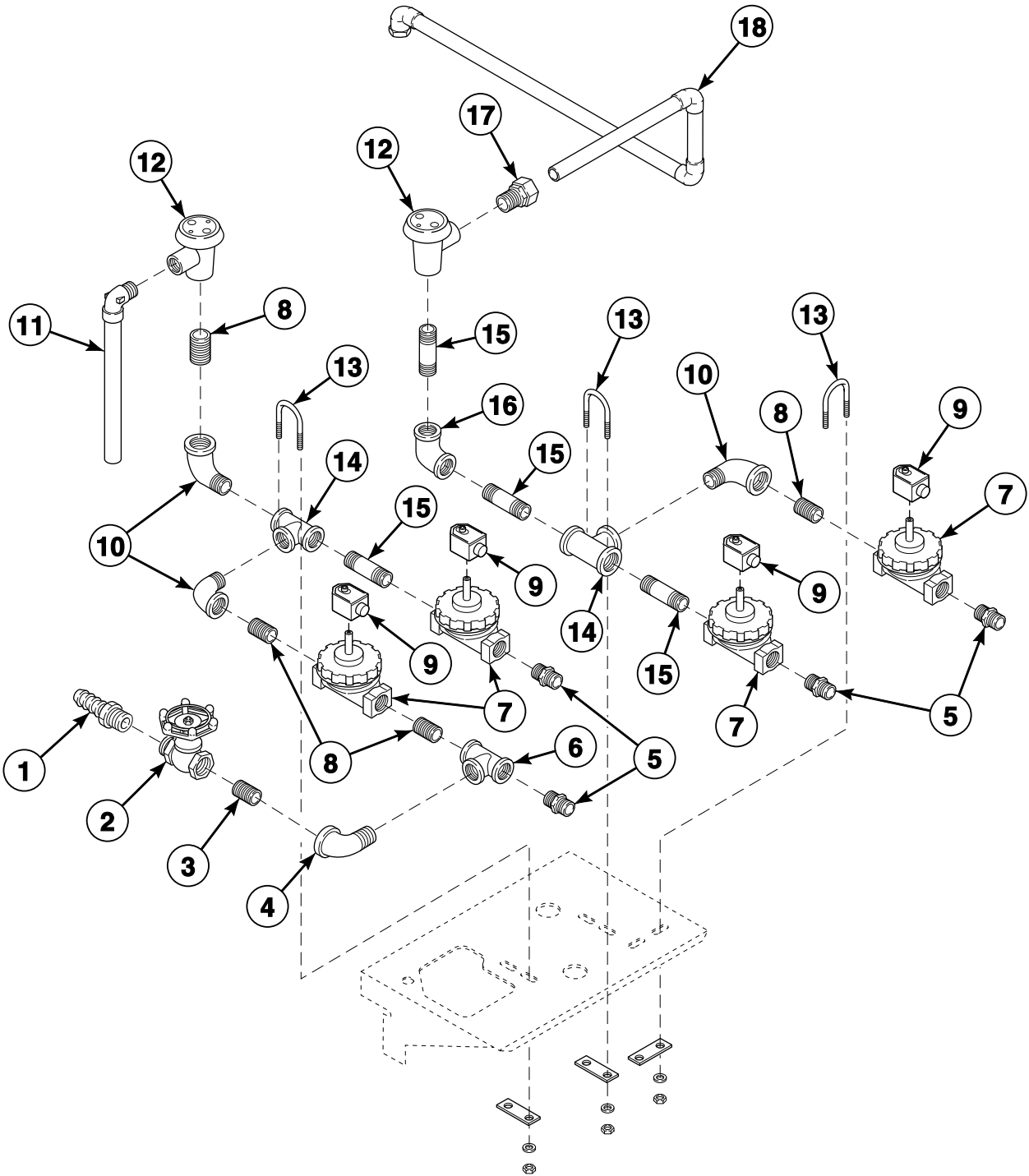
PHM2708P_F230546

Spray and Fill Plumbing Assembly with 3/4-Inch Hays Valves

REF	PART NO.	DESCRIPTION	COMMENTS
1	F421930	Hose Barb	
2	F380500	Gate Valve	
3	F420101	Nipple	
4	F420500	Street Elbow	
5	F421909	Hose Adapter	
6	F420402	Tee	
7	F380702P	Solenoid Valve	120 Volt
	F380703P	Valve	240 Volt
	F380915P	Repair Kit	
8	F420105	Nipple	
9	F420502	Street Elbow	
10	F610260	Top Fill Assembly	
11	F063754701P	Vacuum Breaker Valve	3/4 inch
	F380965P	Repair Kit	3/4 inch
12	N/A	U-Bolt Clamp	Includes hardware
13	F420403	Tee	
14	F420107	Nipple	
15	F420503	Elbow	
16	F422106	Tube Connector	
17	F610363	Spray Rinse Tube Assembly	

N/A = Part no longer available

Spray and Fill Plumbing Assembly with 3/4-Inch Parker Valves



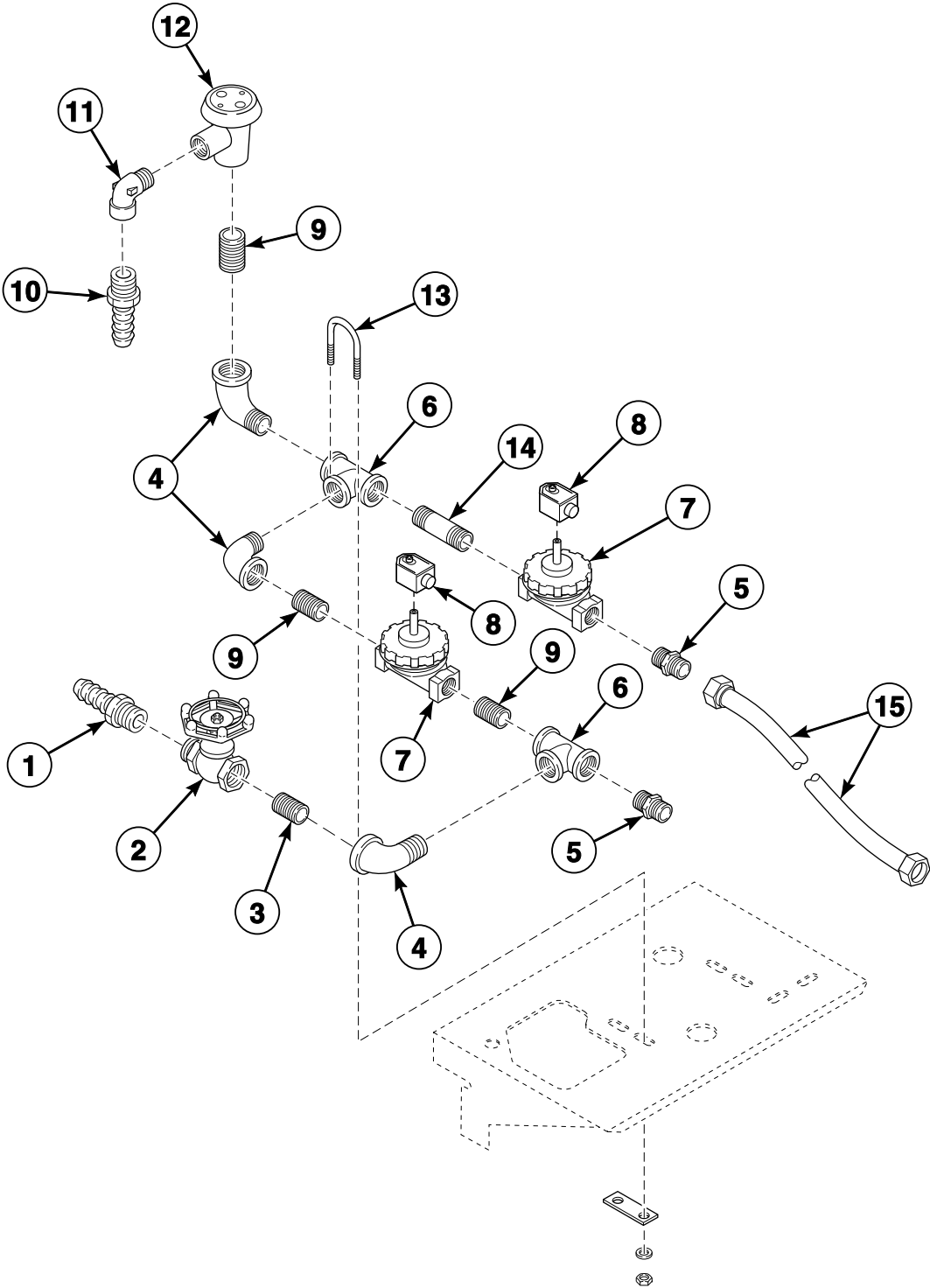
PHM2709P_F230546

Spray and Fill Plumbing Assembly with 3/4-Inch Parker Valves

REF	PART NO.	DESCRIPTION	COMMENTS
1	F421930	Hose Barb	
2	F380500	Gate Valve	
3	F420101	Nipple	
4	F420500	Street Elbow	
5	F421909	Hose Adapter	
6	F420402	Tee	
7	F381700P	Valve	120 Volt; F380991P Water Valve Repair Kit
	F381701P	Valve	220 Volt; F380991P Water Valve Repair Kit
8	F420105	Nipple	
9	F380986P	DIN Coil	120 Volt; F141901 DIN Harness
	F380987P	DIN Coil	220 Volt; F141901 DIN Harness
10	F420502	Street Elbow	
11	F610260	Top Fill Assembly	
12	F063754701P	Vacuum Breaker Valve	3/4 inch
	F380965P	Repair Kit	3/4 inch
13	N/A	U-Bolt Clamp	Includes hardware
14	F420403	Tee	
15	F420107	Nipple	
16	F420503	Elbow	
17	F422106	Tube Connector	
18	F610363	Spray Rinse Tube Assembly	

N/A = Part no longer available

Spray and Fill Plumbing Assembly with 1-Inch Parker Valves



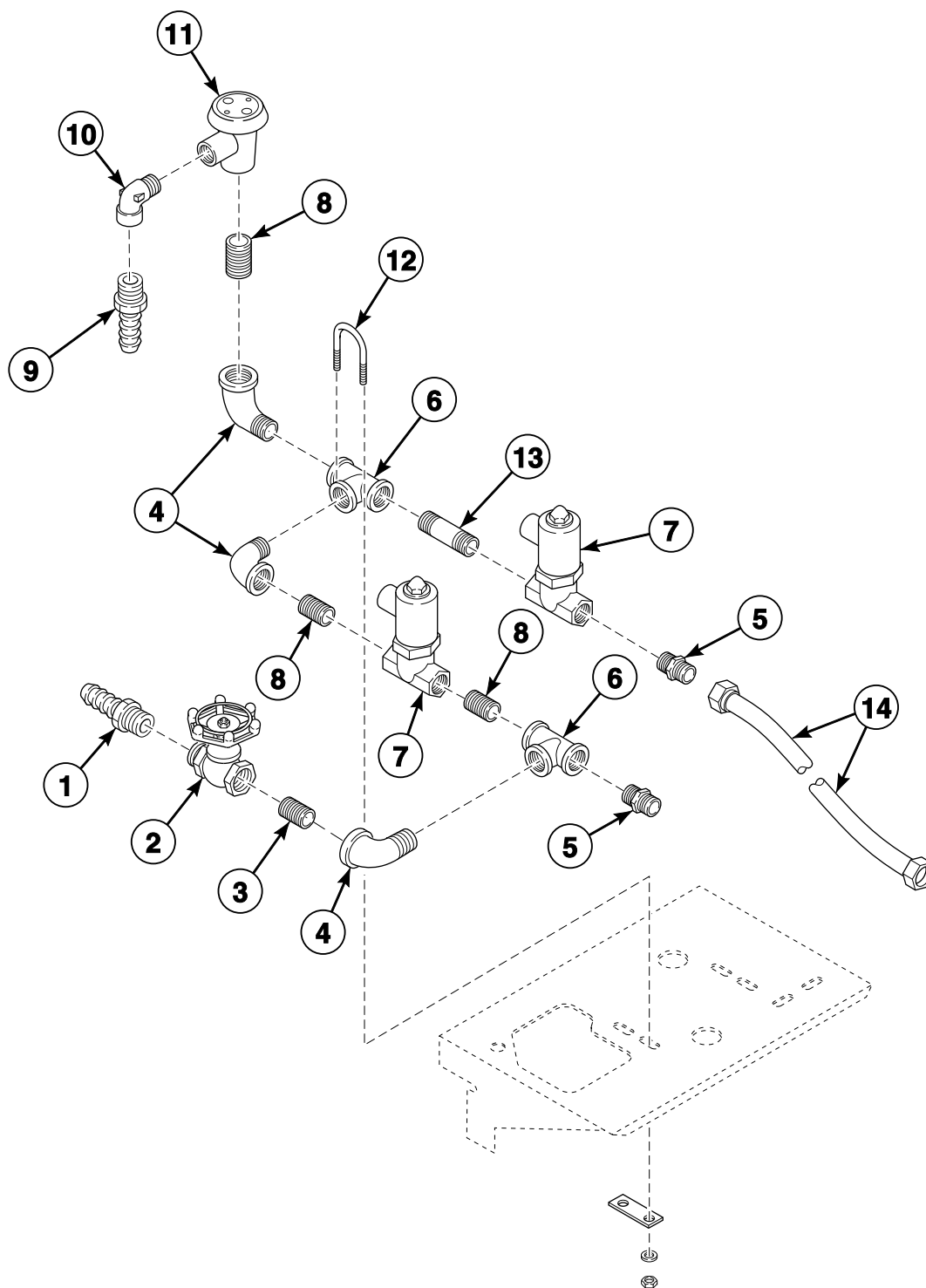
PHM1994P_F230546

Spray and Fill Plumbing Assembly with 1-Inch Parker Valves

REF	PART NO.	DESCRIPTION	COMMENTS
1	F421930	Hose Barb	
2	F380500	Gate Valve	
3	F420101	Nipple	
4	F420500	Street Elbow	
5	N/A	Nipple	
6	F420410	Tee	
7	F381727P	Valve	120 Volt; 1 inch
	F381733P	Valve	220 Volt; 1 inch
	F0381007P	Water Valve Repair Kit	
8	F380986P	DIN Coil	120 Volt; F141901 DIN Harness
	F380987P	DIN Coil	220 Volt; F141901 DIN Harness
9	N/A	Nipple	
10	N/A	Hose Barb	
11	N/A	Elbow	
12	F063754701P	Vacuum Breaker Valve	3/4 inch
	F380965P	Repair Kit	3/4 inch
13	N/A	U-Bolt Clamp	Includes hardware
14	F420138	Nipple	
15	F200187	Water Hose	
	F200504	Washer	

N/A = Part no longer available

Spray and Fill Plumbing Assembly with 1 1/4-Inch Hays Valves



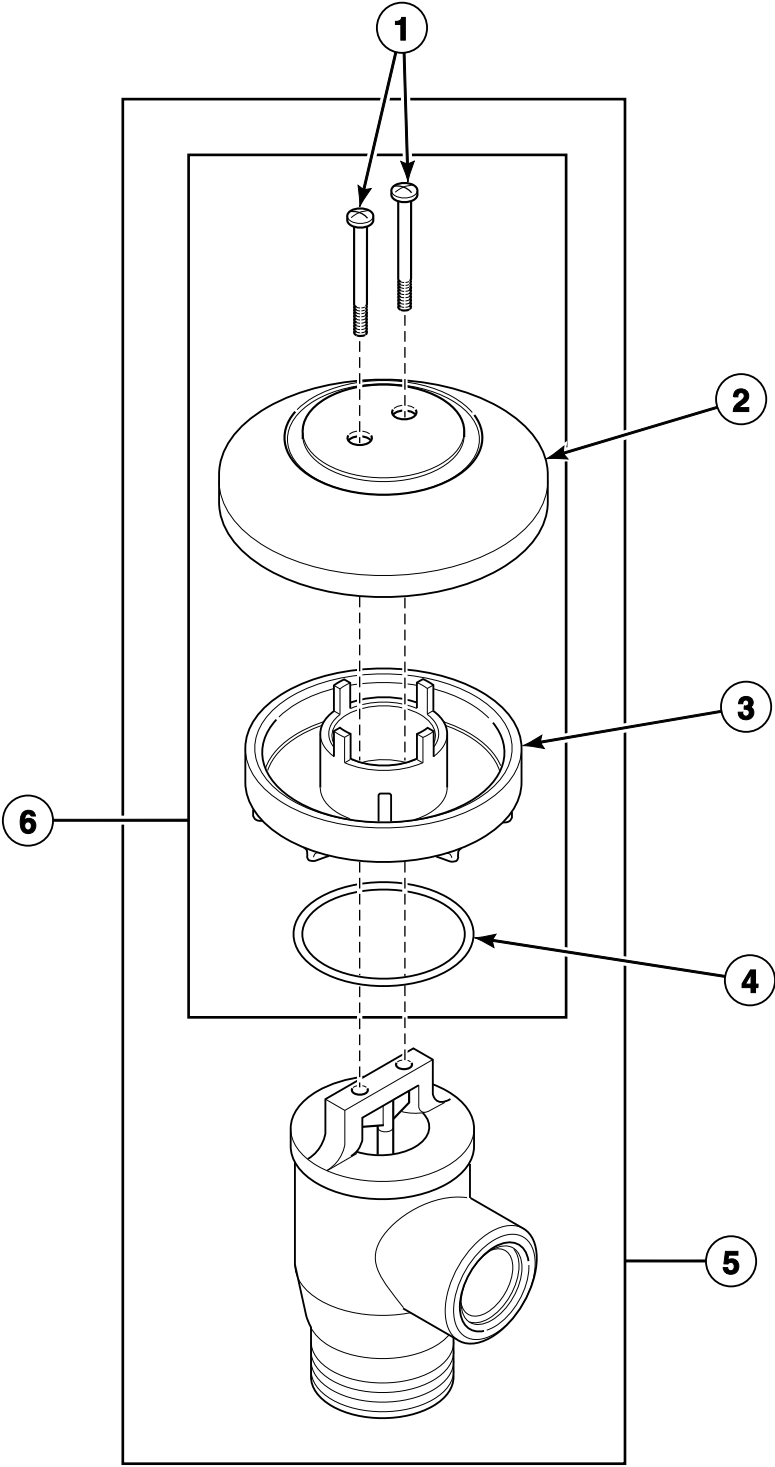
P119P_F230546

Spray and Fill Plumbing Assembly with 1 1/4-Inch Hays Valves

REF	PART NO.	DESCRIPTION	COMMENTS
1	F421930	Hose Barb	
2	F380500	Gate Valve	
3	F420101	Nipple	
4	F420500	Street Elbow	
5	N/A	Nipple	
6	F420410	Tee	
7	F380724P	Solenoid Valve	120 Volt
	N/A	Fill Valve	220 Volt
	F380947P	Repair Kit	F380948 Piston is not included with the repair kit
8	N/A	Nipple	
9	N/A	Hose Barb	
10	N/A	Elbow	
11	F380802	Antisiphon Valve	1 1/4 inch
	F380966P	Repair Kit	1 1/4 inch
12	N/A	U-Bolt Clamp	Includes hardware
13	F420138	Nipple	
14	F200187	Water Hose	
	F200504	Washer	

N/A = Part no longer available

Vacuum Breaker Assembly with Leak Containment Kit

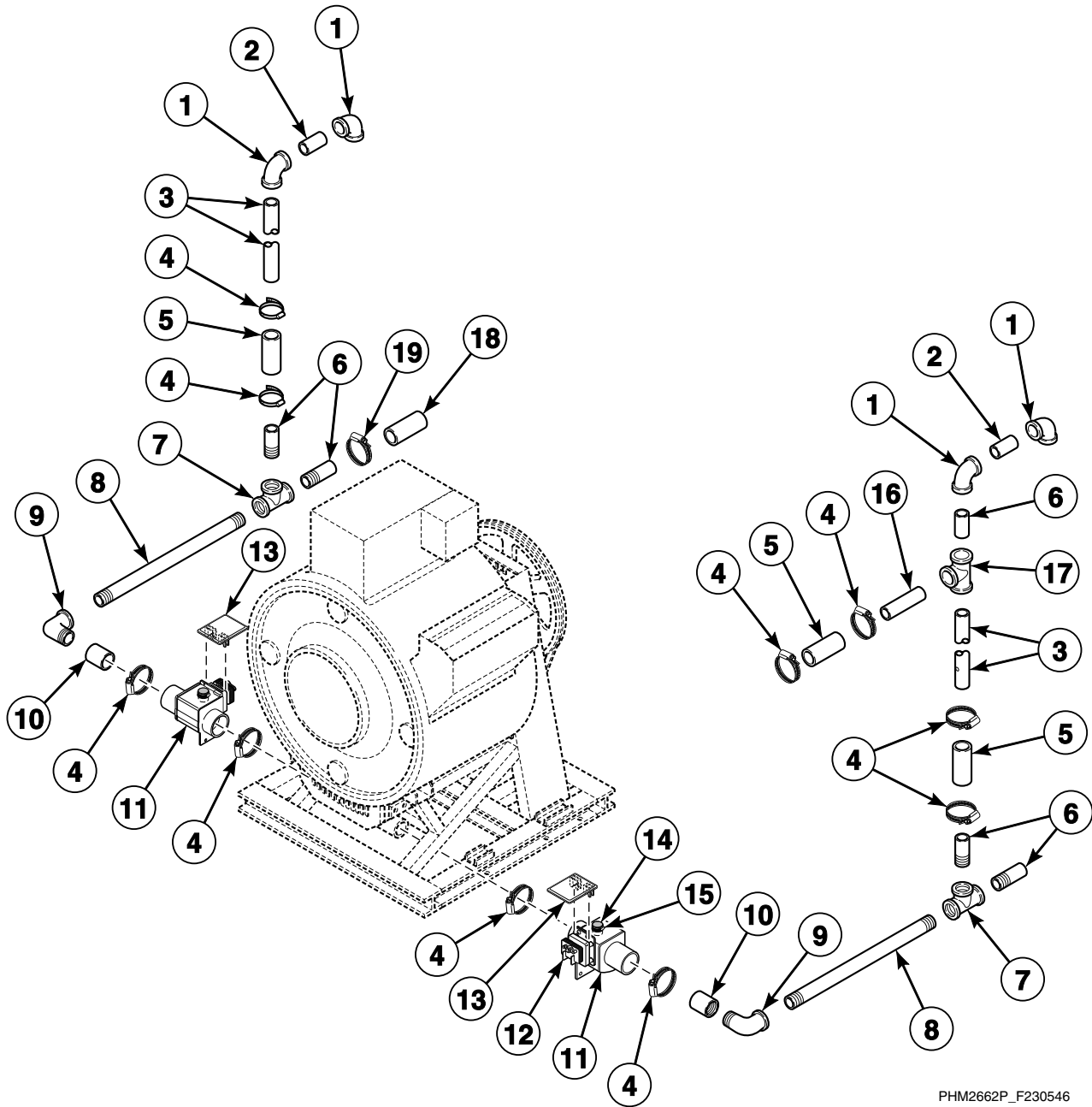


PHM2208P_F230546

Vacuum Breaker Assembly with Leak Containment Kit

REF	PART NO.	DESCRIPTION	COMMENTS
1	F430938	Screw	
2	F0380808-00	Vacuum Breaker Cap	
3	F0380809-00	Containment Device	
4	F0170221-00	O-Ring	
5	F063754701P	Vacuum Breaker Valve	3/4 inch; F380965P Repair Kit; Includes items 1-4
6	F0798922-00	Vacuum Breaker Kit	Includes items 1-4

Drain Valve and Plumbing



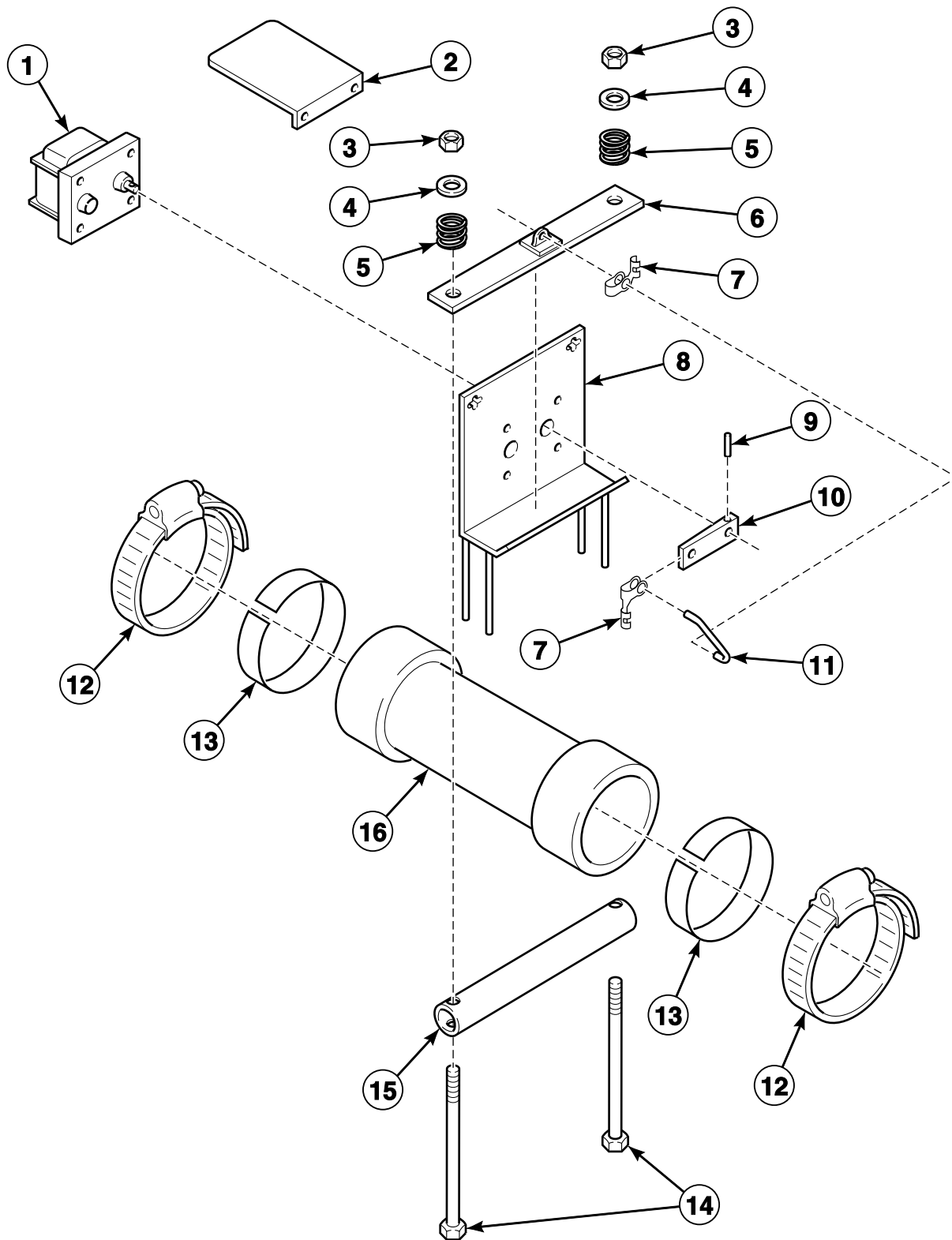
PHM2662P_F230546

Drain Valve and Plumbing

REF	PART NO.	DESCRIPTION	COMMENTS
1	F422900	Elbow	
2	N/A	Pipe	
3	F0602364-29	Pipe	
4	F200213	Hose Clamp	No. 40
5	F200105	Hose	Order 3 feet
6	F420112	Nipple	
7	N/A	Tee	
8	F420115	Nipple	
9	N/A	Street Elbow	
10	F420301	Coupling	
11	F038062800	Drain Valve	120 Volt; With overflow
	F200166302	Drain Valve Kit	120 Volt; Without overflow; Includes item 13
	F200166402	Drain Valve Kit	220 Volt; With overflow; Includes item 13
	F380918	Main Drive Kit	Drain valve repair kit
12	F380932P	Drain Valve Motor	120 Volt; Round shaft
	F380943P	Drain Motor	120 Volt; Keyed shaft
	F380933P	Drain Valve Motor	220 Volt; Round shaft
13	F200133600	Drain Valve Cover	
14	F150352	Overflow Plug	Used with F038062800 Drain Valve
15	F200215	Hose Clamp	No. 28; Used with F0380628 Drain Valve
16	F610033	Pipe	
17	F422801	Tee	
18	F610376P	Drain Hose	
19	F200201	Hose Clamp	No. 56

N/A = Part no longer available

Drain Valve



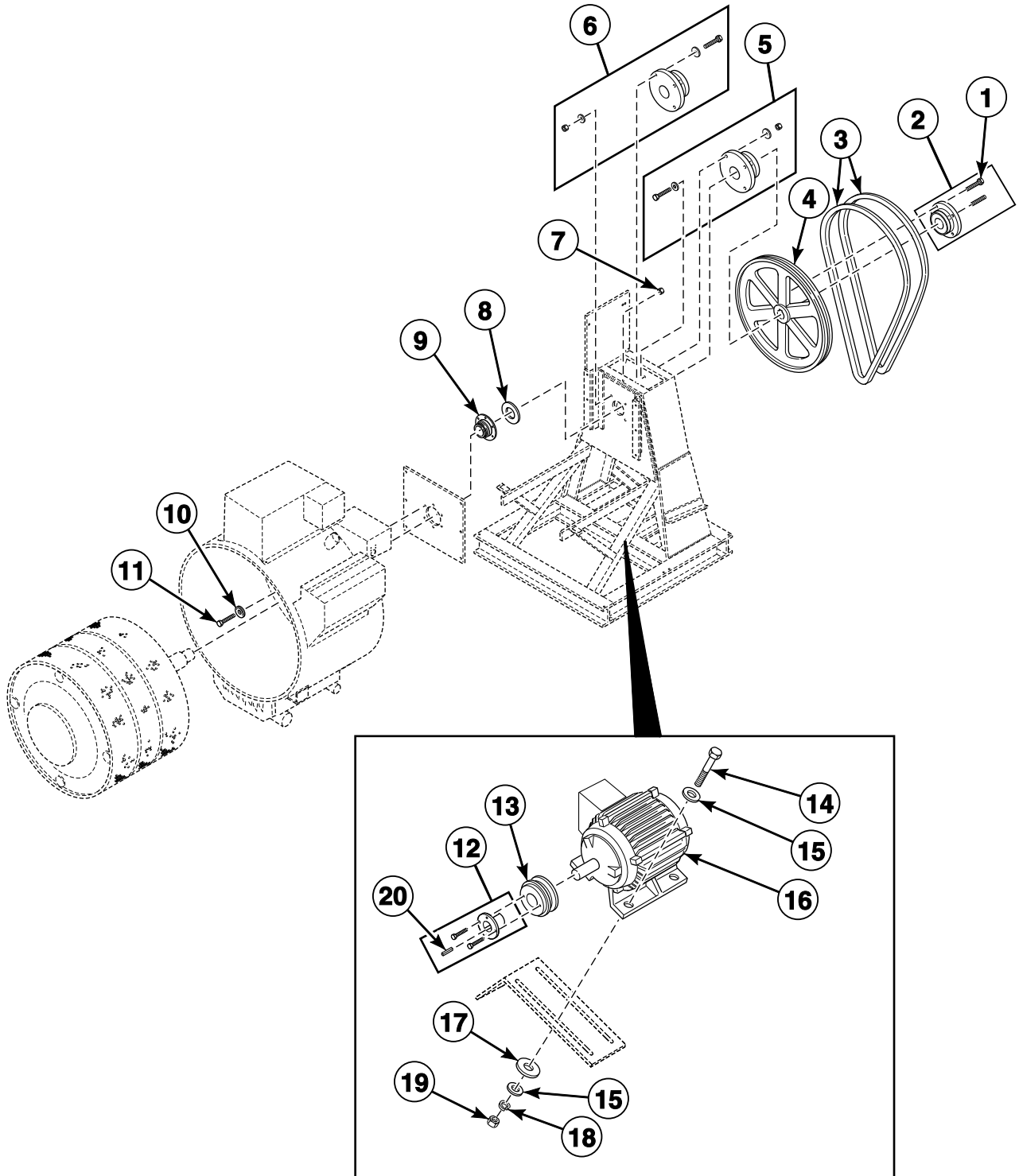
PHM2101P_F230546

Drain Valve

REF	PART NO.	DESCRIPTION	COMMENTS
	F0798776-00	Drain Conversion Kit	120 Volt; Convert to ball drain valve; Includes F150352 Overflow Plug, F0150399-00 Drain Hose, F038062800 Drain Valve, F200201 Hose Clamp (No. 56) and F200215 Hose Clamp (No. 28)
	F0798775-00	Drain Conversion Kit	220 Volt; Convert to ball drain valve; Includes F038062900 Drain Valve, F150352 Overflow Plug, F0150399-00 Drain Hose, F200201 Hose Clamp (No. 56) and F200215 Hose Clamp (No. 28)
1	F380932P	Drain Valve Motor	120 Volt
	F380933P	Drain Valve Motor	220 Volt
2	F602372	Drain Valve Motor Cover	
3	F430215	Nut	
4	F430317	Washer	
5	N/A	Spring	
6	N/A	Drain Valve Lift Bar Assembly	Must install drain conversion kit
7	F431205	Rod End Clip	
8	F602101	Drain Lift Tube	
9	H88900683	Spring Pin	
10	N/A	Drain Valve Motor Arm	
11	F602274	Drain Valve Motor Linkage	
12	F200201	Hose Clamp	No. 56
13	F601244	Chafe Strip	
14	F430101	Screw	
15	F602101	Drain Lift Tube	
16	F200126	Hose	

N/A = Part no longer available

Motor, Pulley, Belt and Bearings



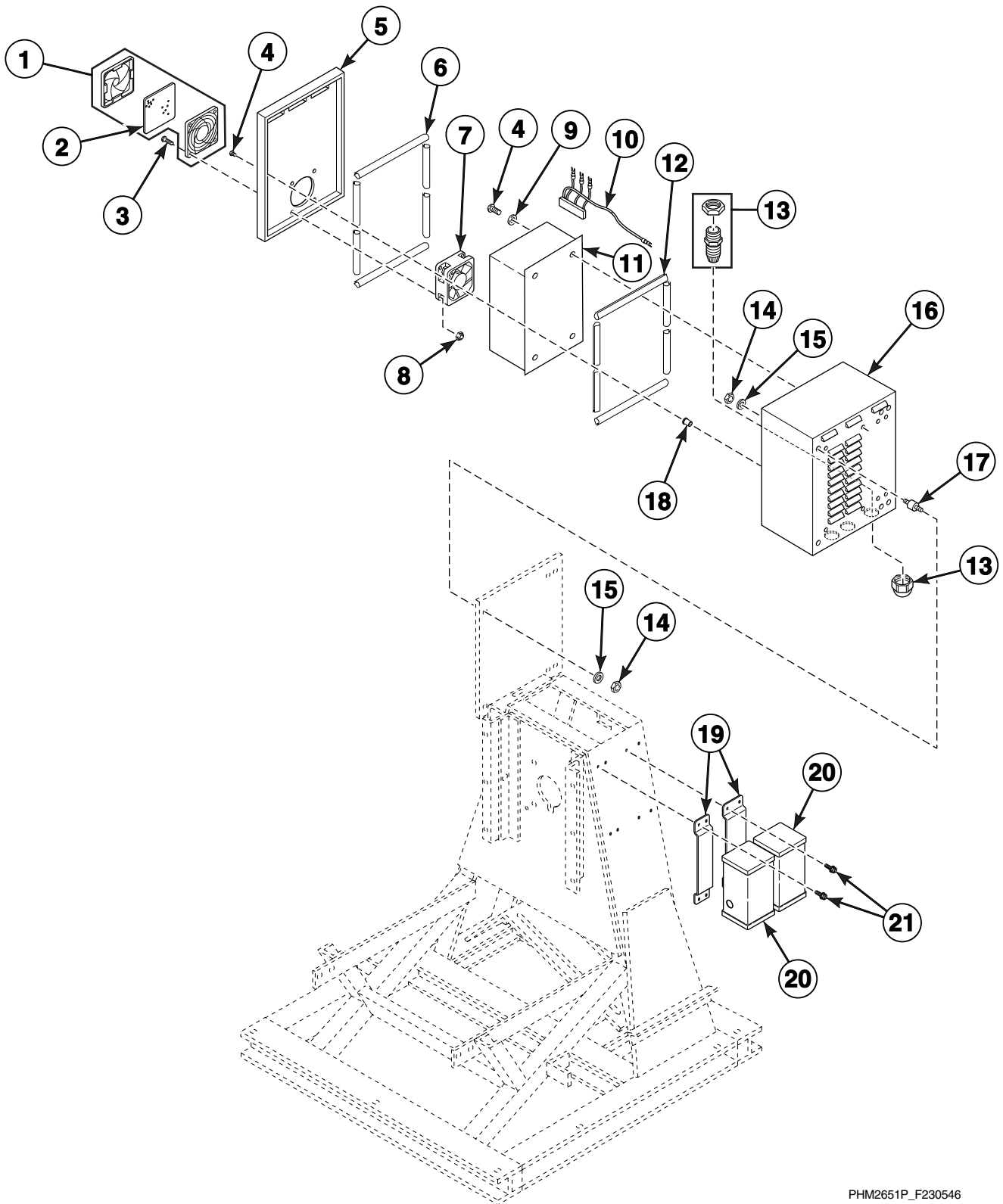
PHM2616P_F230546

Motor, Pulley, Belt and Bearings

REF	PART NO.	DESCRIPTION	COMMENTS
1	F602257	Key	
2	F280294P	Basket Pulley Bushing	U.S.; Includes screws and item 1; 2-7/16
3	F280355	Belt	BX108
4	F280412	Pulley	Basket; 2B305F
5	F745004	Rear Bearing Kit	Includes F100152 Bearing, F430141 Screw, F430203 Nut, F430329 Washer and F704854 Key
6	F798835-00	Front Bearing Kit	Includes items 8-11, F170120RP Shell Band Gasket, F410102 Clear Sealant, F430935 Screw, F100152 Bearing, F430141 Screw, F430203 Nut, F430317 Washer, F430329 Washer, F431005 Nut, F431210 Pop Rivet and F704854 Key
7	F430211	Nut	
8	F100205	Slinger	
9	F010030901P	Face Seal	
	F798833-00	Seal Kit	Includes items 7-11, F410102 Clear Sealant, F170120RP Shell Band Gasket, F431210 Pop Rivet, F430935 Screw and F430317 Washer
10	F431112	Washer	
11	F430500	Screw	
12	F280242	Motor Bushing	Includes screws and item 20; H-1-3/8
13	F280181	Pulley	Motor; 2BK34H
14	F430993	Screw	
15	M400081	Washer	
16	F220218UP	Motor	195/390 Volt; 10 hp; U.S.; AC drive parameters must be compatible with the motor and motor pulley. Please request the AC drive parameter illustration for parameter verification when ordering a motor
	F220437P	Motor	195/390 Volt; 10 hp; U.S.; AC drive parameters must be compatible with the motor and motor pulley. Please request the AC drive parameter illustration for parameter verification when ordering a motor
	F220897P	Motor Bearing	6208-2Z; For U.S. motors
	F100108	Bearing	6206-2RS; For U.S. motors
17	F430300	Washer	
18	M400014	Washer	
19	F430205	Nut	
20	N/A	Key	

N/A = Part no longer available

AC Drive



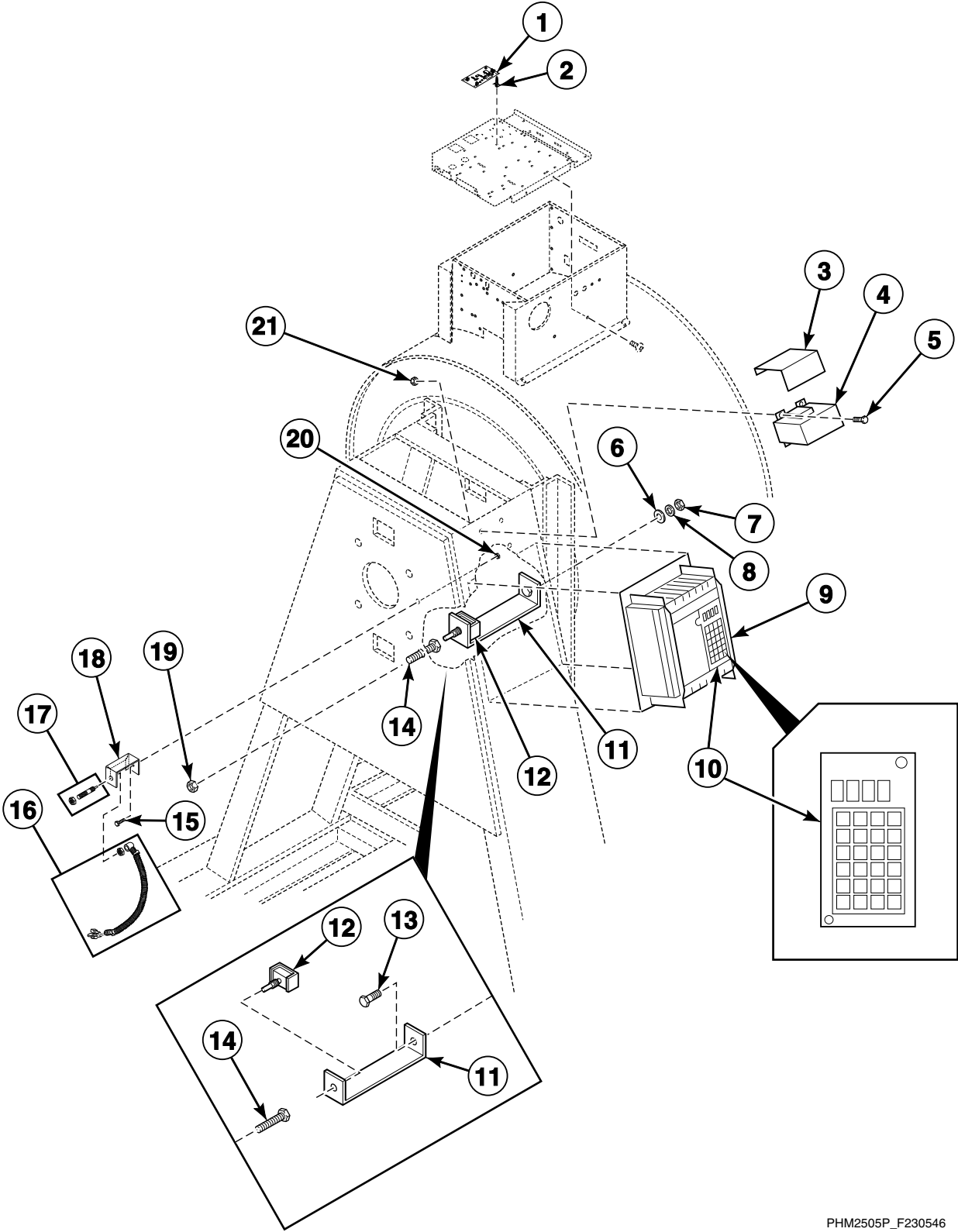
PHM2651P_F230546

AC Drive

REF	PART NO.	DESCRIPTION	COMMENTS
1	F220900	Filter Retainer Guard	Includes item 2
2	F200318900P	Filter	
3	F430916	Screw	
4	F430925	Screw	
5	F633807	AC Drive Box Cover	
6	F170158P	Gasket	
7	F110106	Muffin Fan	120 Volt
	F110105	Muffin Fan	220 Volt
8	F430231	Nut	
9	F430322	Washer	
10	F200320901	AC Drive Radio Filter Assembly	
11	F370837	Inverter Drive	200 Volt
	F370834	Inverter Drive	460 Volt
12	F170402P	Gasket	
13	F140331	Strain Relief Connector	PG21
	F140224	Strain Relief Connector	PG29
14	F430205	Nut	
15	M400014	Washer	
16	F633811	AC Drive Box Weldment	
17	F432217	Sandwich Mount	
18	F432212	Nut	
19	N/A	Transformer Adapter Plate	
20	N/A	AC Drive Transformer Kit	Buckboost; N-voltage; Includes F200031200 Transformer
21	F430107	Screw	

N/A = Part no longer available

Balance Switch, Rotation Sensor and Control Transformer



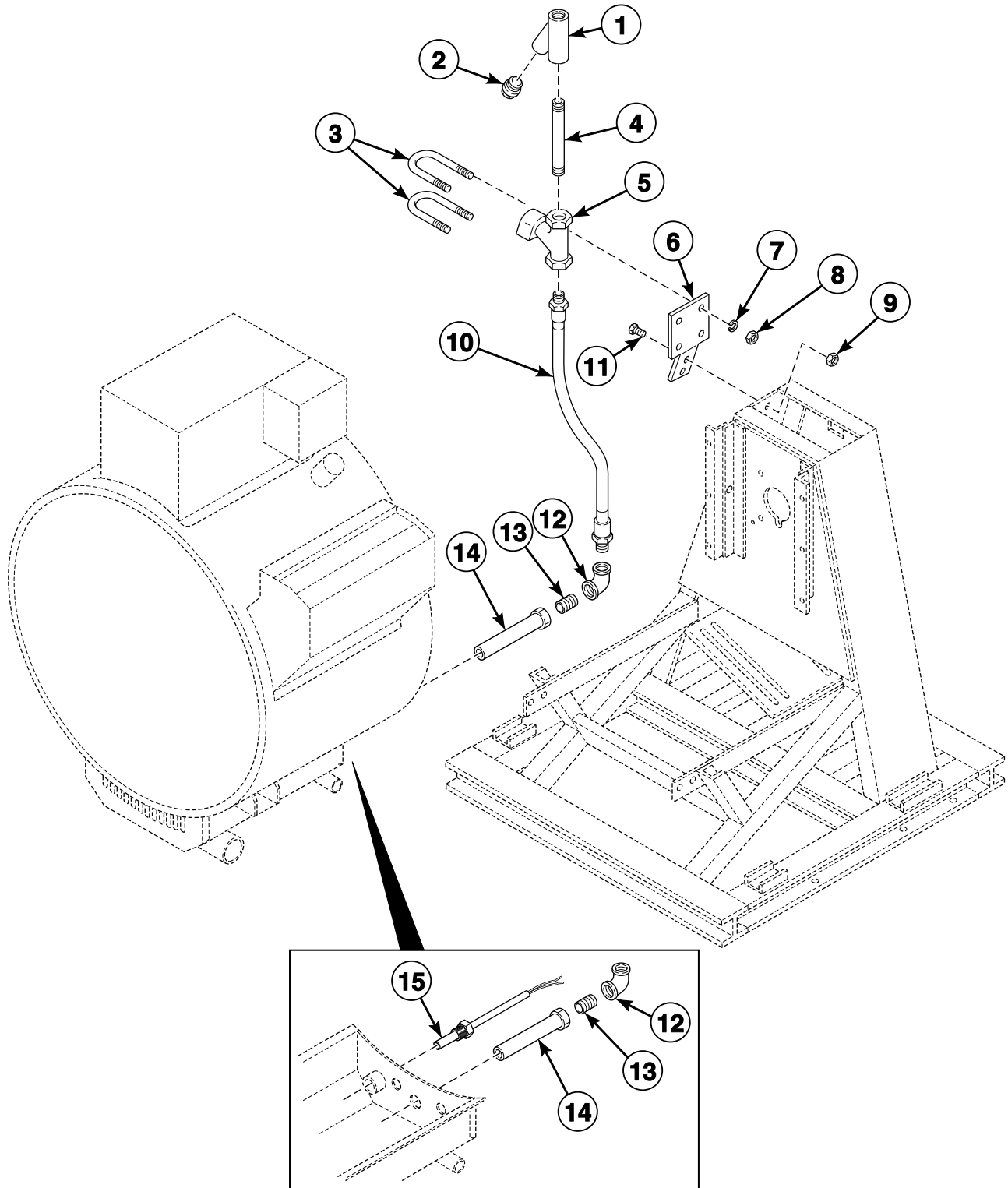
PHM2505P_F230546

Balance Switch, Rotation Sensor and Control Transformer

REF	PART NO.	DESCRIPTION	COMMENTS
1	F200101300P	Rotation Sensor PCB	
2	F180501	Standoff	
3	F140425	Control Transformer Cover	
4	F360125P	Transformer	
5	F430107	Screw	
6	M400081	Washer	
7	F430205	Nut	
8	M400014	Washer	
9	F744064	Retrofit Kit	N and P-voltage; Z to AB drive
	F744063	Retrofit Kit	N and P-voltage; A to AB drive
	F744062	Retrofit Kit	Q-voltage; Z to AB drive
	F744065	Retrofit Kit	Q-voltage; A to AB drive
10	F370594	Parameter Unit	Mitsubishi A-Series drive
	F370597P	Parameter Unit	Allen-Bradley 1305/1336-Series drives
11	F601750	Balance Switch Bracket	
12	F340906	Microswitch	
13	800461	Screw	
14	N/A	Screw	
15	F430927	Screw	
16	F8066401	Rotation Sensor Harness	
17	F200126200P	Rotation Sensor Assembly	
	F079900800	Rotation Sensor Retrofit Kit	Includes items 1, 2, 15-18 and 20
18	F200122500	Rotation Sensor Bracket	
19	H88412101	Nut	
20	F430218	Nut	
21	F430215	Nut	

N/A = Part no longer available

Steam Heat Option and Temperature Probe



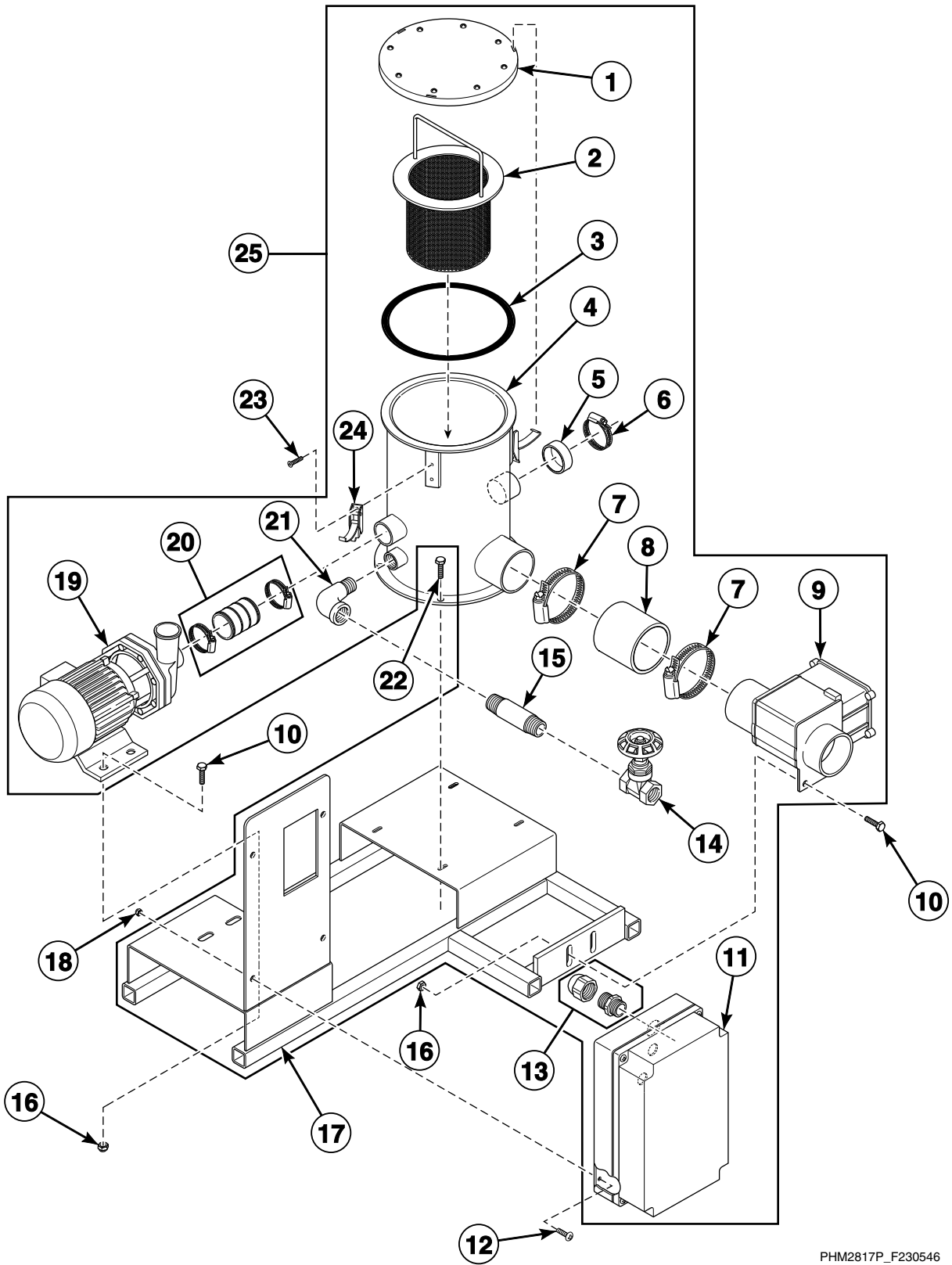
PHM2646P_F230546

Steam Heat Option and Temperature Probe

REF	PART NO.	DESCRIPTION	COMMENTS
1	F270307	Steam Filter	
2	F420409	Plug	
3	F200401P	U-Bolt Clamp	Includes items 7 and 8
4	70214101	Pipe Nipple	
5	F380786P	Steam Valve	120 Volt
	F380986P	DIN Coil	120 Volt
	F380787P	Steam Valve	240 Volt
	F380987P	DIN Coil	240 Volt
	F380984P	Steam Valve Repair Kit	
6	N/A	Steam Valve Bracket	
7	F430322	Washer	
8	F430211	Nut	
9	F430215	Nut	
10	F200153P	Steam Hose	
11	F430913	Screw	
12	F420500	Street Elbow	
13	F421400	Bushing	
14	F603132	Steam Injector Tube Assembly	
15	F370606P	Temperature Probe	

N/A = Part no longer available

Wet-Clean Assembly Main View



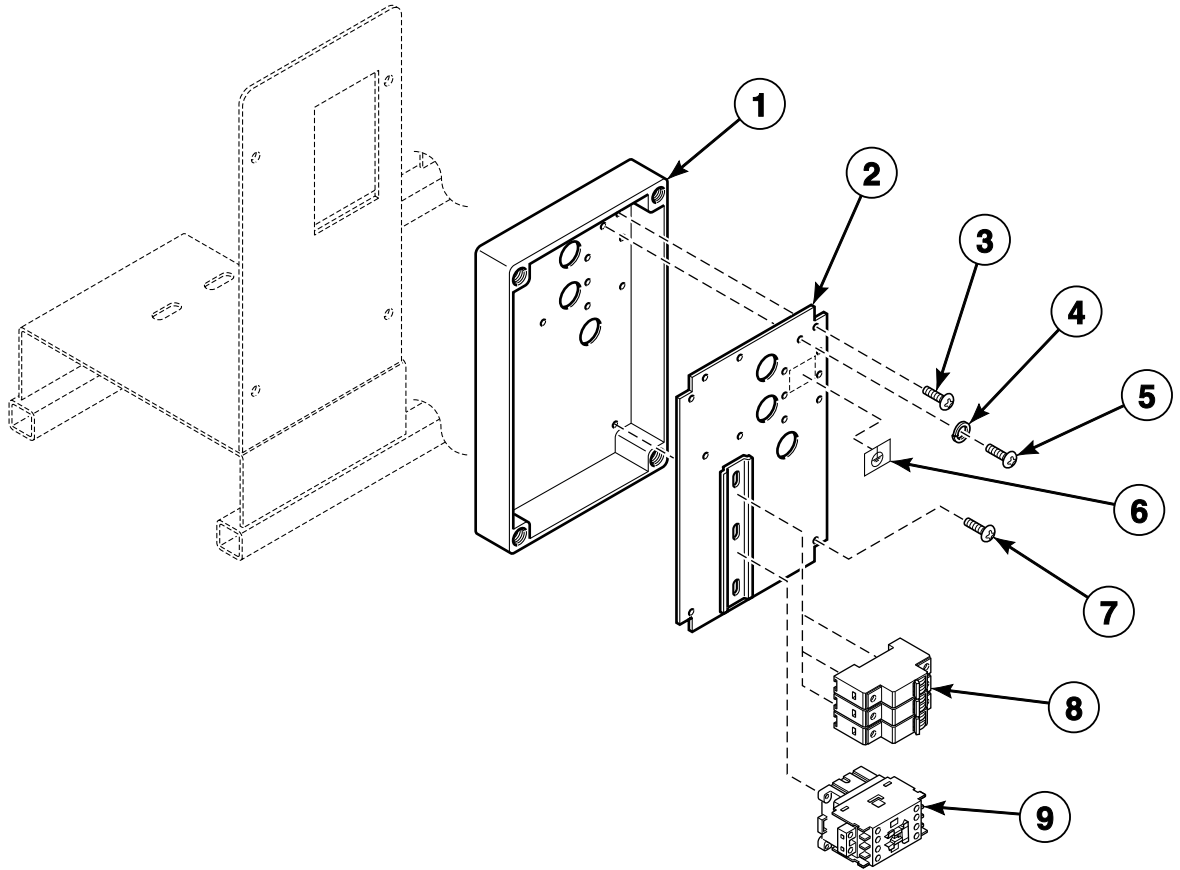
PHM2817P_F230546

Wet-Clean Assembly Main View

REF	PART NO.	DESCRIPTION	COMMENTS
1	F630300	Cover Assembly	
2	F630298	Filter Basket Weldment	
3	F170218	Canister Cover O-Ring	
4	F632355	Drain Canister Weldment	
5	F150352	Overflow Plug	
6	F200215	Hose Clamp	No. 28
7	N/A	Hose Clamp	No. 48
8	F150442	Drain Hose	
9	F380636	Ball Valve	
10	F430939	Screw	
11	F635664	Control Module Sub-Assembly	
12	F430932	Screw	
13	F140329	Strain Relief Connector	PG13
14	F380500	Gate Valve	
15	F421915	Nipple	
16	F431024	Nut	
17	F632693	Canister Stand Weldment	
18	F430232	Nut	
19	F270102P	Pump	
20	F422515	Tube Connector	
21	F422304	Street Elbow	
22	F430923	Screw	
23	F430903	Screw	
24	F432201	Draw Latch	
25	N/A	Wet-Clean Canister Stand Assembly	Includes items 1-9, 11, 13-15, 17, 19-21 and 24

N/A = Part no longer available

Wet-Clean Assembly Control Module



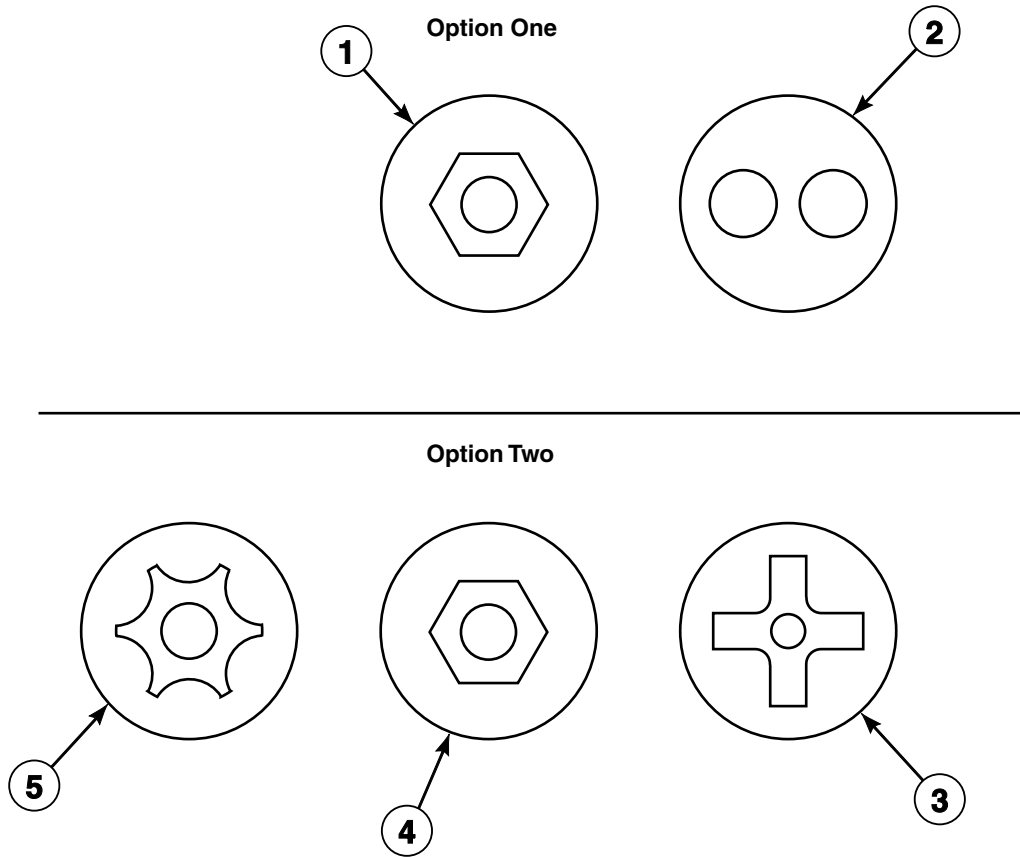
PHM2341P_F230546

Wet-Clean Assembly Control Module

REF	PART NO.	DESCRIPTION	COMMENTS
1	F140432	Box	
2	F634278	Control Panel Sub-Assembly	
3	N/A	Screw	
4	N/A	Washer	
5	F430928	Screw	
6	F230739	Ground Decal	
7	N/A	Screw	
8	F350207P	Circuit Breaker	
9	F330177P	Contactor	

N/A = Part no longer available

Security Fasteners



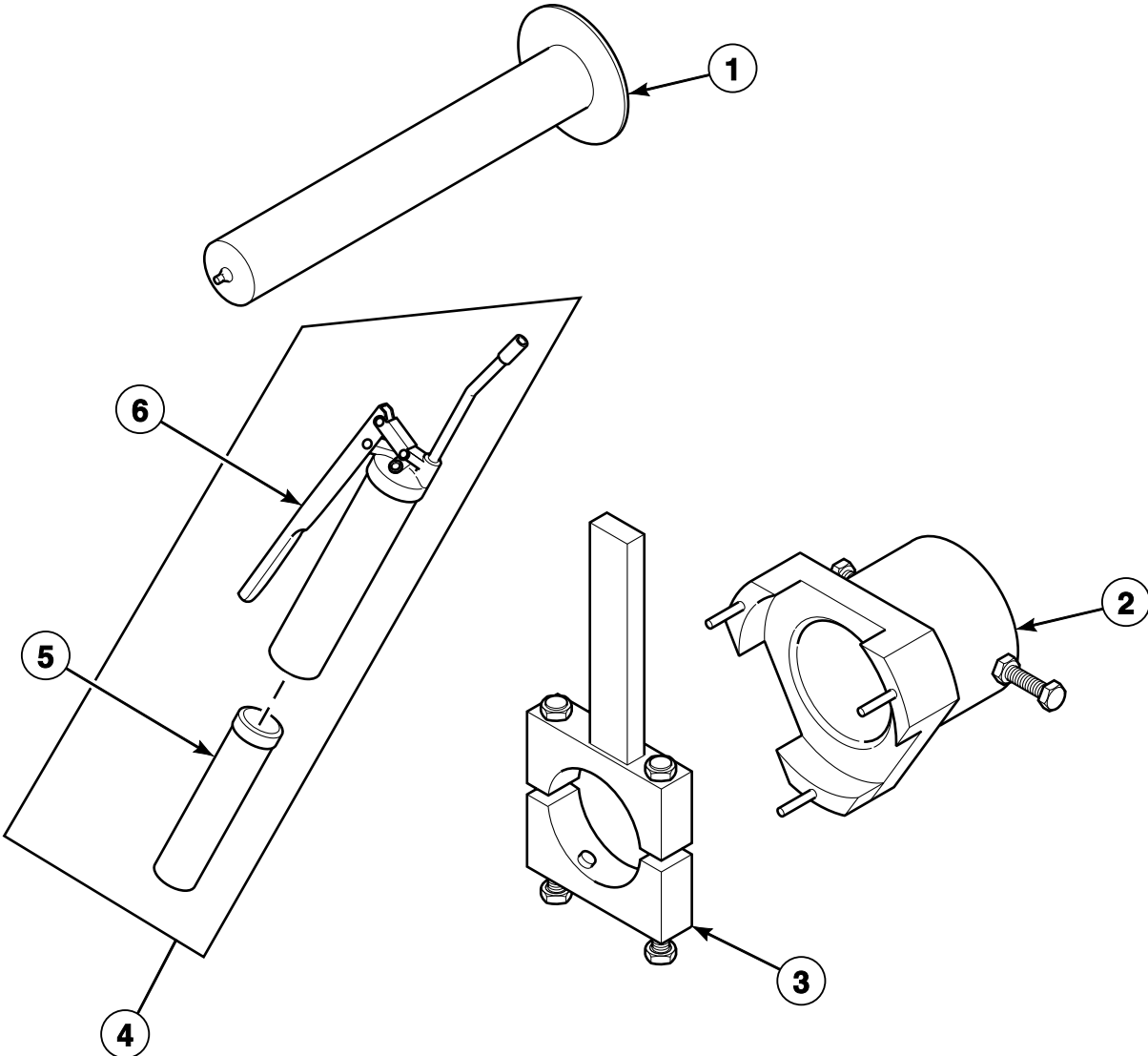
PHM2181P_F230546

Security Fasteners

REF	PART NO.	DESCRIPTION	COMMENTS
1	F0430275-00	Screw	No. 8; 32 x 1/2 inch; Used in place of F430956 Screw; Typical location is the side panels and module cover
	F430960	Screw	No. 10; 32 x 3/8 inch; Used in place of F430904 Screw; Typical location is the module to the shell
	F704906	Hex Bit	
2	F0430273-00	Screw	1/4 inch; 20 x 2-1/2 inch; Used in place of F430996 Screw; Typical location is the door box to the bracket
	F0430272-00	Screw	1/4 inch; 20 x 1-1/2 inch; Used in place of F430921 Screw; Typical location is the side panel to the bracket
	F0430274-00	Screw	1/4 inch; 20 x 1/2 inch; Used in place of F430925 Screw; Typical location is the drive box or the cover
	F704907	Spanner Bit	
3	F432260	Screw	1/4 inch; 20 x 2-1/2 inch; Used in place of F430996 Screw; Typical location is the door box to the bracket
	N/A	Phillips Bit	
4	N/A	Screw	1/4 inch; 20 x 1/2 inch; Used in place of F430925 Screw; Typical location is the drive box or cover
	N/A	Hex Bit	
5	F432259	Screw	No. 8; 32 x 1/2 inch; Used in place of F430956 Screw; Typical location is the side panels and module cover
	281P4	Torx Bit	

N/A = Part no longer available

Special Tools



PHM2640P_F230546

Special Tools

REF	PART NO.	DESCRIPTION	COMMENTS
	F730055-2	Mounting Bolt Kit	
	F601862P	Rebar Frame Template	
	F370851P	HIM Drive	Used with Allen-Bradley 160-series A and B inverter drives
	F798751	HIM Drive	Used with Allen-Bradley 160-series A, B and C inverter drives
	1113P	Concrete Hardware Kit	
	F798773	Rebar Frame Kit	
1	F633431	Alignment Shaft Assembly	
2	F200293500	Seal Alignment Tool Assembly	
	F0100315-00	Shaft Seal Alignment Fixture	
3	N/A	Bearing Removal Tool	
4	F798700	Grease Gun Kit	Includes items 5 and 6
5	F210206P	Bearing Grease	
6	F210207P	Grease Gun	

N/A = Part no longer available

Parts Index

A

AC Drive Box Cover F633807	59
AC Drive Box Weldment F633811	59
AC Drive Radio Filter Assembly F200320901	59
Alignment Shaft Assembly F633431	71
Antisiphon Valve F380802	49

B

Balance Switch Bracket F601750	61
Ball Valve F380636	65
Basket Assembly F603686	35
Basket Pulley Bushing F280294P	57
Bearing F100108	57
Bearing Grease F210206P	71
Before Power Is Connected Tag F230501	7
Belt F280355	57
Box F140432	67
Bracket Casting F150200	29
Bushing F421400	63
Buzzer F300203P	9, 13

C

Cable Assembly F604713	11, 13
Cage Wrap Assembly F633783	17
Canister Cover O-Ring F170218	65
Canister Stand Weldment F632693	65
Cap F190300	29
Chafe Strip F601244	55
Chemical Supply Cup F150385	37
F150386	37

Chemical Supply Hose F150487	37
Circuit Breaker F350207P	67
F350211	11, 13
Clockwise Spin Rotation Decal F230652	7
Cold Water Valve Decal F231368	7
Concrete Hardware Kit 1113P	71
Conductor Decal F231146	7
Connector F140309	11, 13
F140575P	11, 13
F140576P	11, 13
Contact Block Switch F200233401	9, 13
F200299500	9, 13
F340445	9, 13
Contactoer F330177P	67
F330187P	9, 13
F330188P	9, 13
Containment Device F0380809-00	51
Control Module Decal F231562	9, 13
Control Module Sub-Assembly F635664	65
Control Panel Sub-Assembly F634278	67
Control Transformer Cover F140425	61
Cotter Pin F431201	29
F431202	39, 41
Coupling F420301	53
Cover Assembly F630300	65

D

Diaphragm and Guide Kit G582P3	11
DIN Coil F380986P	45, 47, 63
F380987P	45, 47, 63
Disconnect Power Warning Label 505281	7
Dispenser Assembly F0150512-00P	37
Dispenser Lid F0150514-00	37
Dispenser Shroud Weldment F8024303	37
Do Not Push Decal F230302	7

N/A items do not appear in index.

Door Box			
F601706	23, 29, 31	
F601707	23, 29, 31	
F634415	33	
Door Box Assembly			
F634822	27, 33	
F634822-1	33	
Door Box Mounting Bracket			
F601129	23, 27	
Door Bumper Bushing			
F430416	23, 27	
Door Bumper Moulding			
F150366	23, 27	
Door Butt			
F150233	21, 25	
Door Butt Shim			
F601948	23, 27	
Door Cam Adjusting Rod			
F603105	23	
Door Extension Arm			
F610220	23, 27	
F610221	23, 27	
Door Gasket			
F8434801	21, 25	
Door Glass Gasket			
F170115	21, 25	
Door Glass Kit			
F290204P	21, 25	
Door Handle			
F634416	25	
Door Handle Casting			
F150203	23, 27	
Door Hinge			
F150228	23, 27	
Door Hinge Pin			
F432307	23, 27	
Door Latch Bracket Shim			
F602058	23, 27	
Door Lock Collar			
F150288	29	
Door Lock Gasket			
F170135	29	
Door Lock Pivot Plate			
F608803	23, 27	
Door Lock Plunger			
F601081	29	
Door Lock Solenoid			
F300118P	31, 33	
F300129P	33	
Door Lock Solenoid Spring			
F310119	29	
Door Retainer Spinning			
F320102	21, 25	
Door Solenoid			
F300101P	29	
Drain Canister Weldment			
F632355	65	
Drain Conversion Kit			
F0798775-00	55	
F0798776-00	55	
Drain Hose			
F150442	65	
F610376P	53	
Drain Lift Tube			
F602101	55	
Drain Motor			
F380943P	53	
Drain Valve			
F038062800	53	
Drain Valve Cover			
F200133600	53	
Drain Valve Kit			
F200166302	53	
F200166402	53	
Drain Valve Motor			
F380932P	53, 55	
F380933P	53, 55	
Drain Valve Motor Cover			
F602372	55	
Drain Valve Motor Linkage			
F602274	55	
Draw Latch			
F432201	65	
Drive			
F8169634	15	
F8169635	15	
F8169636	15	
F8169686	15	
F8169687	15	
Drive Mounting Plate Assembly			
F8018200	15	
<hr/>			
E			
Elbow			
F420503	43, 45	
F422319	21, 25	
F422900	53	
Emergency Stop Button Kit			
F200233700P	9, 13	
Emergency Stop Decal			
F231083	9, 13	
Emergency Stop Pushbutton			
F200233500	9, 13	
External Supply Control Decal			
F230606	7	
External Supply Decal			
F230622	11	
<hr/>			
F			
Face Seal			
F010030901P	57	
Filter			
F200318900P	59	
Filter Basket Weldment			
F630298	65	
Filter Retainer Guard			
F220900	59	
Frame Assembly			
F601754-1	35	
Frame Weldment			
F063402100	35	
Front Bearing Kit			
F798835-00	57	

N/A items do not appear in index.

Front Panel	
F601837P	19
F631560	17
Fuse	
F350108	9, 13
F350109	9, 13
F350110	9, 13
F350115	11
Fuse Holder	
F0350312-10	11

G

Gasket	
F170158P	59
F170402P	59
Gate Valve	
F380500	43, 45, 47, 49, 65
Grease Gun	
F210207P	71
Grease Gun Kit	
F798700	71
Ground Decal	
F230739	67
Ground Terminal Lug	
F140734	11, 13

H

Hex Bit	
F704906	69
HIM Drive	
F370851P	71
F798751	71
Hose	
F200105	53
F200126	55
F610068	21, 25
Hose Adapter	
F421909	43, 45
Hose Barb	
F421929	35, 39
F421930	43, 45, 47, 49
Hose Clamp	
F200201	53, 55
F200213	37, 53
F200215	53, 65
36801	35, 39, 41
Hose Connector	
F200302	11
Hot Surface Warning Decal	
F200085000	7
F231380	7
Hot Water Valve Decal	
F231367	7

I

Injection Nozzle	
F8322001	37, 41

Injection Nozzle Kit	
F730168	37, 41
Input Power Block	
F140747	11, 13
Input Power Connector Decal	
F230677	11, 13
Insulator Bushing	
F140909	11
F140910	39
Interlock Switch	
F340900	29, 31
Inverter Drive	
F370834	59
F370837	59

K

Key	
F602257	57
Keymode Assembly	
F200174600P	11, 13
Keymode Decal	
F230678	11, 13
Keypad Decal	
F230724P	9, 13

L

Light	
F350412	11, 13
F350414	11, 13
Lower Door Latch Bracket Casting	
F150202	23, 27
Lower Door Latch Casting	
F150204	23, 27

M

Magnet	
F8390801	25
Magnetic Switch Assembly	
F200321200	33
Main Drive Kit	
F380918	53
Microswitch	
F340906	33, 61
Momentary Switch	
F340412	9, 13
Motor	
F220218UP	57
F220437P	57
Motor Bearing	
F220897P	57
Motor Bushing	
F280242	57
Mounting Bolt Kit	
F730055-2	71
Mounting Panel Assembly	
F608385	9, 13

N/A items do not appear in index.

Muffin Fan	
F110105.....	59
F110106.....	59

N

Nipple	
F420101.....	43, 45, 47, 49
F420105.....	43, 45
F420107.....	43, 45
F420112.....	53
F420115.....	53
F420138.....	47, 49
F421915.....	65
No-Swivel Coupling	
F422109.....	21, 25
Nut	
F430205.....	23, 27, 57, 59, 61
F430211.....	17, 19, 29, 57, 63
F430215.....	23, 35, 55, 61, 63
F430218.....	61
F430231.....	13, 25, 33, 59
F430232.....	65
F430264.....	17, 39
F431000.....	11
F431005.....	23, 27, 37
F431022.....	9, 11, 13, 21, 25
F431024.....	65
F431026.....	21, 23, 25, 27
F432212.....	59
F604730.....	23
H88412101.....	61
70142.....	35
802292.....	37, 41

O

O-Ring	
F0170221-00.....	51
F170200.....	21, 25
F170208.....	37, 41
F170215.....	37
Output CCA	
F0370444-10P.....	9, 13
F8321901P.....	9, 13
Overflow Plug	
F150352.....	53, 65

P

Parameter Unit	
F370594.....	61
F370597P.....	61
Personal Injury Warning Decal	
F231065.....	7
Pinch Drain Shell Kit	
F741020-10.....	35
Pipe	
F0602364-29.....	53
F610033.....	53
Pipe Elbow	
J1188192.....	39

Pipe Nipple	
70214101.....	63
Plug	
F140527.....	11, 13
F420409.....	63
Plug Cap	
F190304.....	37
Pop Rivet	
F431210.....	35
Post and Screw Kit	
F730087.....	39, 41
PowerFlex 40 AC Drive Retrofit Kit	
F8286102.....	15
F8286103.....	15
F8286105.....	15
F8286202.....	15
F8286204.....	15
Program Key	
F370709.....	11, 13
Pulley	
F280181.....	57
F280412.....	57
Pump	
F270102P.....	65

R

RC Network Filter	
F330217P.....	9, 13, 29, 31, 33
Rear Bearing Kit	
F745004.....	57
Rear Panel	
F631559.....	19
F633777P.....	17
Rebar Frame Kit	
F798773.....	71
Rebar Frame Template	
F601862P.....	71
Repair Kit	
F380915P.....	43
F380947P.....	49
F380965P.....	43, 45, 47
F380966P.....	49
Retaining Ring	
F310215.....	23, 27
Retrofit Kit	
F744062.....	61
F744063.....	61
F744064.....	61
F744065.....	61
Ribbon Cable	
F140218P.....	9
F140219P.....	9
F140248P.....	9
Right Side Panel	
F601838P.....	19
Ring Retainer	
F310206.....	21, 25
Rod End Clip	
F431205.....	55
Rotation Sensor Assembly	
F200126200P.....	61

N/A items do not appear in index.

Rotation Sensor Bracket F200122500	61
Rotation Sensor Harness F8066401	61
Rotation Sensor PCB F200101300P	61
Rotation Sensor Retrofit Kit F079900800	61
Rub Rail F601839	17, 19

S

Sandwich Mount F432217	59	Shell Front Assembly F634691	35
Screw		Shell Front Weldment F608747P	35
F0430272-00	69	F8136001P	35
F0430273-00	69	Shell Plate Assembly F604051	35
F0430274-00	69	Shell Weldment F634440	35
F0430275-00	69	Side Panel F631553P	17
F430101	55	Slinger F100205	57
F430103	23, 27	Soap Dispenser Manifold Assembly F603084	39
F430107	59, 61	Soap Dispenser Shelf F601795	39
F430168	23, 27	Soap Supply Cup F603413	39, 41
F430500	57	Solenoid Valve F380702P	43
F430502	29	F380708P	39
F430518	35	F380709P	39
F430903	65	F380724P	49
F430910	11	Spanner Bit F704907	69
F430913	63	Spray Rinse Bracket Assembly F602901P	21, 25
F430916	11, 13, 25, 59	Spray Rinse Hose Kit F730023	21, 25
F430917	9, 13, 21, 25, 29, 37	Spray Rinse Nozzle Kit F730077	21, 25
F430920	15	Spray Rinse Strap F602880	21, 25
F430921	17	Spray Rinse Tube Assembly F610363	21, 25, 43, 45
F430923	65	Spring Pin H88900683	55
F430924	35	Squeeze Connector F140311	11, 13
F430925	29, 59	Standoff F180501	61
F430927	23, 27, 61	F180506	9, 13
F430928	9, 11, 13, 33, 67	Steam Filter F270307	63
F430932	65	Steam Hose F200153P	63
F430938	51	Steam Injector Tube Assembly F603132	63
F430939	65	Steam Valve F380786P	63
F430956	17, 19, 39	F380787P	63
F430960	69	Steam Valve Repair Kit F380984P	63
F430993	57	Strain Relief Adapter Kit F749802	37
F430995	11, 13, 29, 31, 33	Strain Relief Connector F140224	59
F432259	69	F140329	65
F432260	69	F140331	59
201415	23, 27	F140340P	37
800461	61	Street Elbow F420500	43, 45, 47, 49, 63
Scupper F150389	35	F420502	43, 45
Seal Alignment Tool Assembly F200293500	71		
Seal Kit F798833-00	57		
Shaft Seal Alignment Fixture F0100315-00	71		
Shell Band Assembly F603630	35		
Shell Band Fastener Kit F791001	35		
Shell Band Gasket F170120RP	35		

N/A items do not appear in index.

F422304.....	65
F422310.....	39
Studded Door Assembly	
F634678.....	25
Studded Door Kit	
F730316.....	21
Supply Dispenser Hazard Caution Decal	
F231436.....	7, 37
Supply Dispenser Spacer	
F0150525-00.....	37
Supply Valve Manifold Assembly	
F604602P.....	39
Switch	
F340901.....	29, 31
Switch Extension	
F340913.....	29, 31
Swivel Coupling	
F422108.....	21, 25

T

Tee	
F420402.....	43, 45
F420403.....	43, 45
F420410.....	47, 49
F422801.....	53
F422805.....	9, 13
Temperature Probe	
F370606P.....	63
Terminal Block	
F140782.....	11
Terminal Strip	
F140738.....	11, 13
This Machine Must Be Protected Decal	
F230301.....	7
Top Fill Assembly	
F610260.....	43, 45
Top Latch Bracket Casting	
F150201P.....	23, 27
Torx Bit	
281P4.....	69
Transformer	
F360125P.....	61
Trim	
F170400RP.....	17, 19, 37
Tube Connector	
F422106.....	43, 45
F422515.....	65
Tubing	
F422404P.....	9, 13

U

U-Bolt Clamp	
F200401P.....	39, 63

V

Vacuum Breaker Cap	
F0380808-00.....	51

Vacuum Breaker Kit	
F0798922-00.....	51
Vacuum Breaker Valve	
F063754701P.....	43, 45, 47, 51
Valve	
F380703P.....	43
F381700P.....	45
F381701P.....	45
F381727P.....	47
F381733P.....	47
Valve, 4-Way	
F380715P.....	11, 41
F381723P.....	11
F381724P.....	11

W

Washer	
F200504.....	47, 49
F430300.....	57
F430317.....	23, 35, 55
F430322.....	59, 63
F431100.....	17, 19, 21, 23, 25, 27, 37
F431106.....	11, 13
F431112.....	57
F431113.....	9, 13
F431116.....	35
F431118.....	23, 27
F431123.....	39, 41
F431133.....	37
F8195301.....	37
M400013.....	35
M400014.....	57, 59, 61
M400081.....	57, 61
Water Hose	
F200107P.....	35, 39, 41
F200187.....	47, 49
Water Level Switch	
F340308P.....	9, 13
F340309P.....	9, 13
Water Level Switch Bracket	
F630242.....	9, 13
Water Valve Repair Kit	
F0381007P.....	47
WE-6 Computer	
F037062441P.....	9, 13
WE-6 Interface CCA Kit	
F0370446-21P.....	9, 13

Y

Y Connector	
F422808.....	41

N/A items do not appear in index.