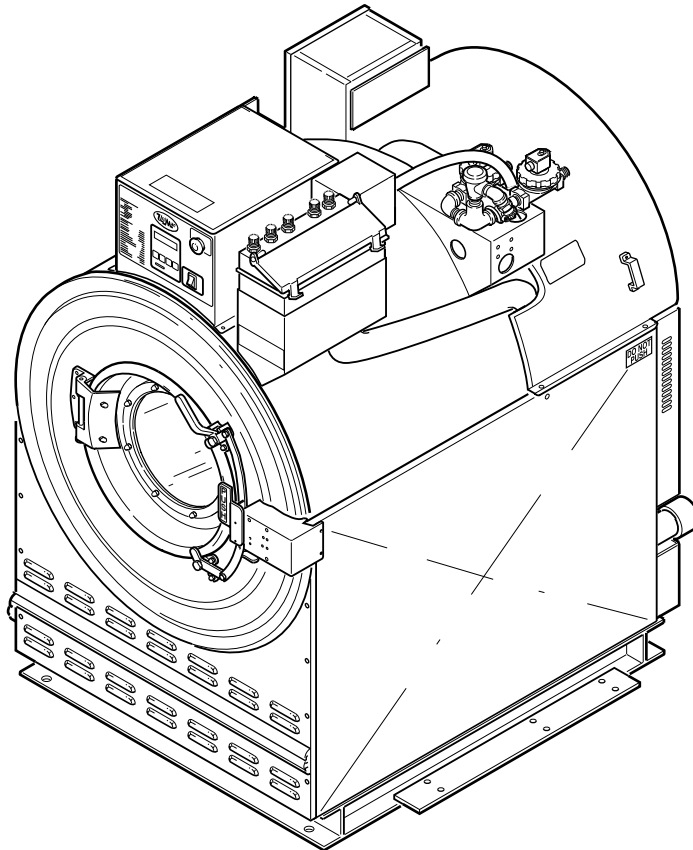


# Washer-Extractor

Pocket Hardmount

UW125VV



PHM1005P\_F232211



# Table of Contents

Title	Page
Parts Ordering Information.....	2
Serial Plate Location .....	2
Model Identification .....	3
Pocket Hardmount Washer-Extractor Product Overview .....	4
Decals .....	6
Control Module (Drawing 1 of 5) .....	8
Control Module (Drawing 2 of 5) .....	10
Control Module (Drawing 3 of 5) .....	12
Control Module (Drawing 4 of 5) .....	14
Control Module (Drawing 5 of 5) .....	16
Front, Rear and Side Panels.....	18
Door Assembly (Drawing 1 of 2) .....	20
Door Assembly (Drawing 2 of 2) .....	22
Door Box Assembly .....	24
Basket, Shell and Frame.....	26
Supply Dispenser.....	28
Water Supply Valve and Hoses to Supply Dispenser .....	30
Fill Plumbing .....	32
Drain Valve and Plumbing .....	34
Balance Switch and Control Transformer .....	36
Motor, Belt, Pulley and Bearings.....	38
AC Drive.....	40
Steam Heat Option - Models through January, 2000.....	42
Steam Heat Option - Models starting February, 2000 .....	44
Security Fasteners .....	46
Special Tools .....	48
Parts Index.....	51

© Copyright 2015, Alliance Laundry Systems LLC

All rights reserved. No part of the contents of this book may be reproduced or transmitted in any form or by any means without the expressed written consent of the publisher.

## Parts Ordering Information

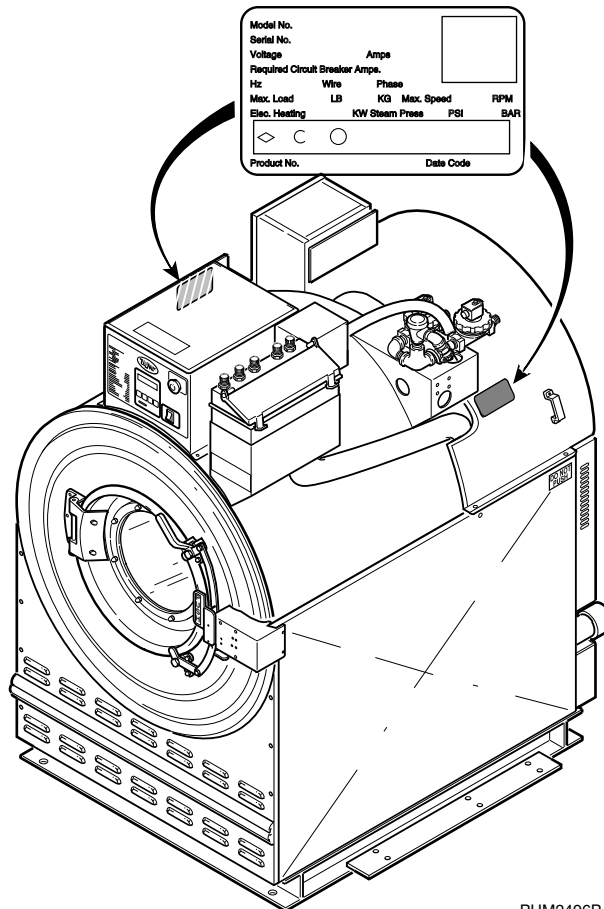
If literature or replacement parts are required, contact the source from whom the machine was purchased or contact Alliance Laundry Systems at (920) 748-3950 for the name and address of the nearest authorized parts distributor.

For technical assistance, call either of the numbers listed below:

(920) 748-3121 Ripon, Wisconsin  
+32 56 41 20 54 Wevelgem, Belgium

## Serial Plate Location

When calling or writing about your product, be sure to mention model and serial numbers. Model and serial numbers are located on serial plate(s) as shown.



PHM2496P\_F232211

## Model Identification

Information in this manual is applicable to this washer-extractor model:

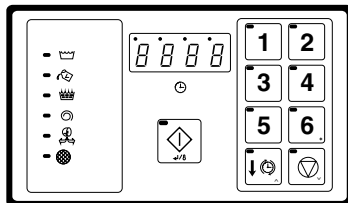
UW125VV

**NOTE:** This manual applies to models with 1-4 in the 10th position in the model number (e.g. UW125VVQU40001)

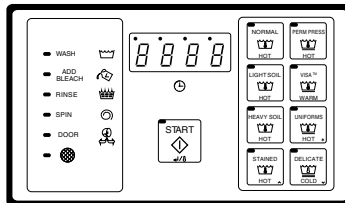
# Pocket Hardmount Washer-Extractor Product Overview

Model No. UW60AMXUB0001  
 Serial No. 00000000000  
 Voltage 200 – 240      Amps 10  
 Circuit Breaker 15 Amps  
 Hz 50 – 60      Wire 2/3      Phase S 3  
 Max. Load 60 LB      27 KG      Max. Speed 594 RPM  
 Elec. Heating N/A      Steam Press. N/A PSI      0.0 BAR

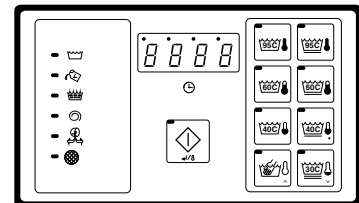
**Drawings:**  
 ETL Listed  
 Conforms To ANSI/UL Std. 1206, 3rd Ed  
 Certified To CAN/CSA Std. C22.2 No.53-1968



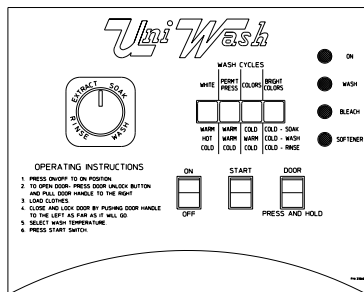
A-Control



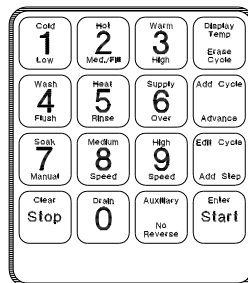
B-Control (Domestic)



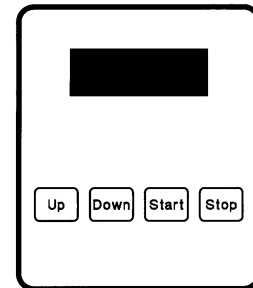
B-Control (International)



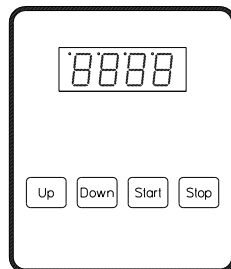
Mechanical Timer



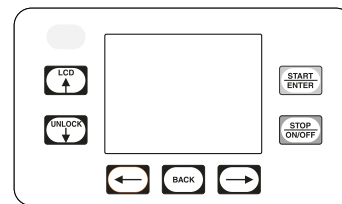
WE-6 Control



S-Computer



V-Computer



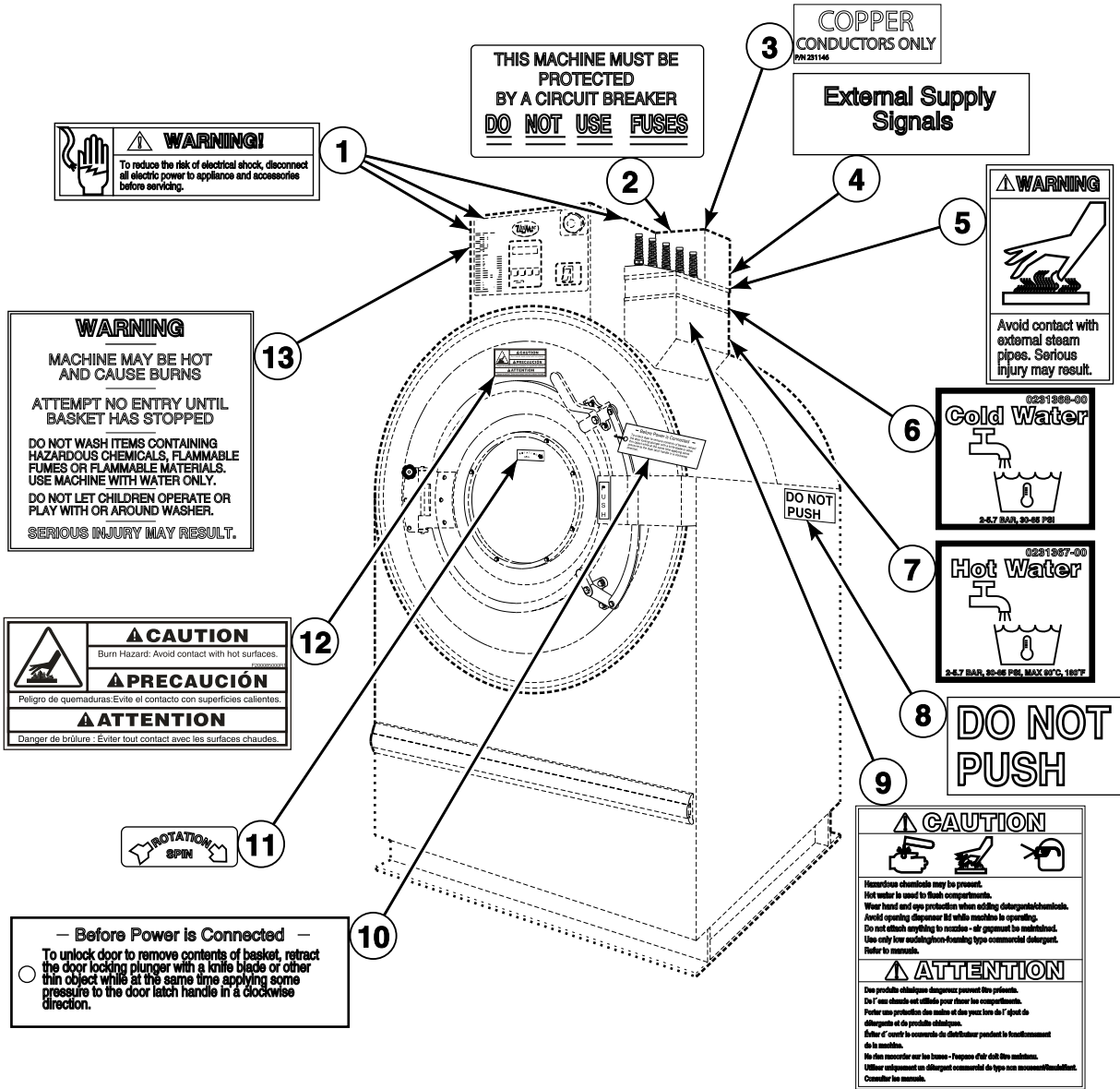
UniLinc Control

PHM2979P\_F232211

# Pocket Hardmount Washer-Extractor Product Overview

REF	PART NO.	DESCRIPTION	COMMENTS
1	-	Product Family	UW
2	-	Capacity (Pounds)	35 60 80 100 125 150
3	-	Control	A (A-Control) B (B-Control) M (Mechanical Timer) P (WE-6 Control) S (S-Computer) V (V-Computer) T (UniLinc Control)
4	-	Speed	2 (2-Speed) 3 (3-Speed) 4 (4-Speed) V (Variable-Speed)
5	-	Voltage	F (440-480/60/3/3) N (440-480/50-60/3/3) O (208-240/60/3/3) P (380-415/60-60/3/3) Q (200-208/220-240/50/60/3ph) R (380-415/440-480/50/60/3ph) X (200-220/220-240/50/60/1-3) Y (208-240/60/1/2)
6	-	OEM	U (Standard Specs)
7	-	Design Series	1-8

# Decals



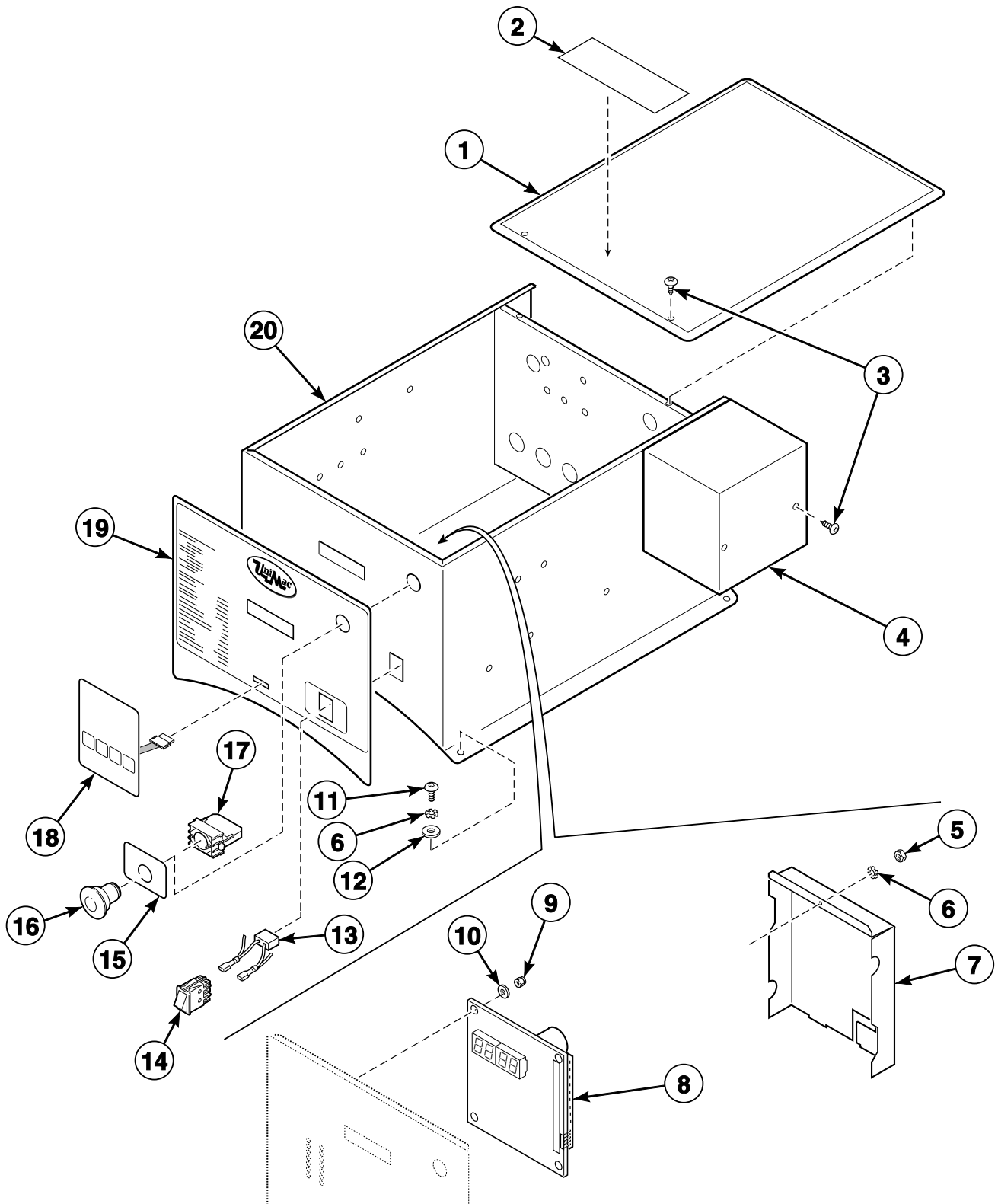
PHM3082P\_F232211



# Decals

REF	PART NO.	DESCRIPTION	COMMENTS
1	505281	Disconnect Power Warning Label	
2	F230301	This Machine Must Be Protected Decal	
3	F231146	Conductor Decal	
4	F230764-6	External Supply Connection Decal	
5	F231380	Hot Surface Warning Decal	
6	F231368	Cold Water Valve Decal	
7	F231367	Hot Water Valve Decal	
8	F230302	Do Not Push Decal	
9	F231436	Supply Dispenser Hazard Caution Decal	
10	F230501	Before Power Is Connected Tag	
11	F230652	Clockwise Spin Rotation Decal	
12	F200085000	Hot Surface Warning Decal	
13	F231065	Personal Injury Warning Decal	

# Control Module (Drawing 1 of 5)



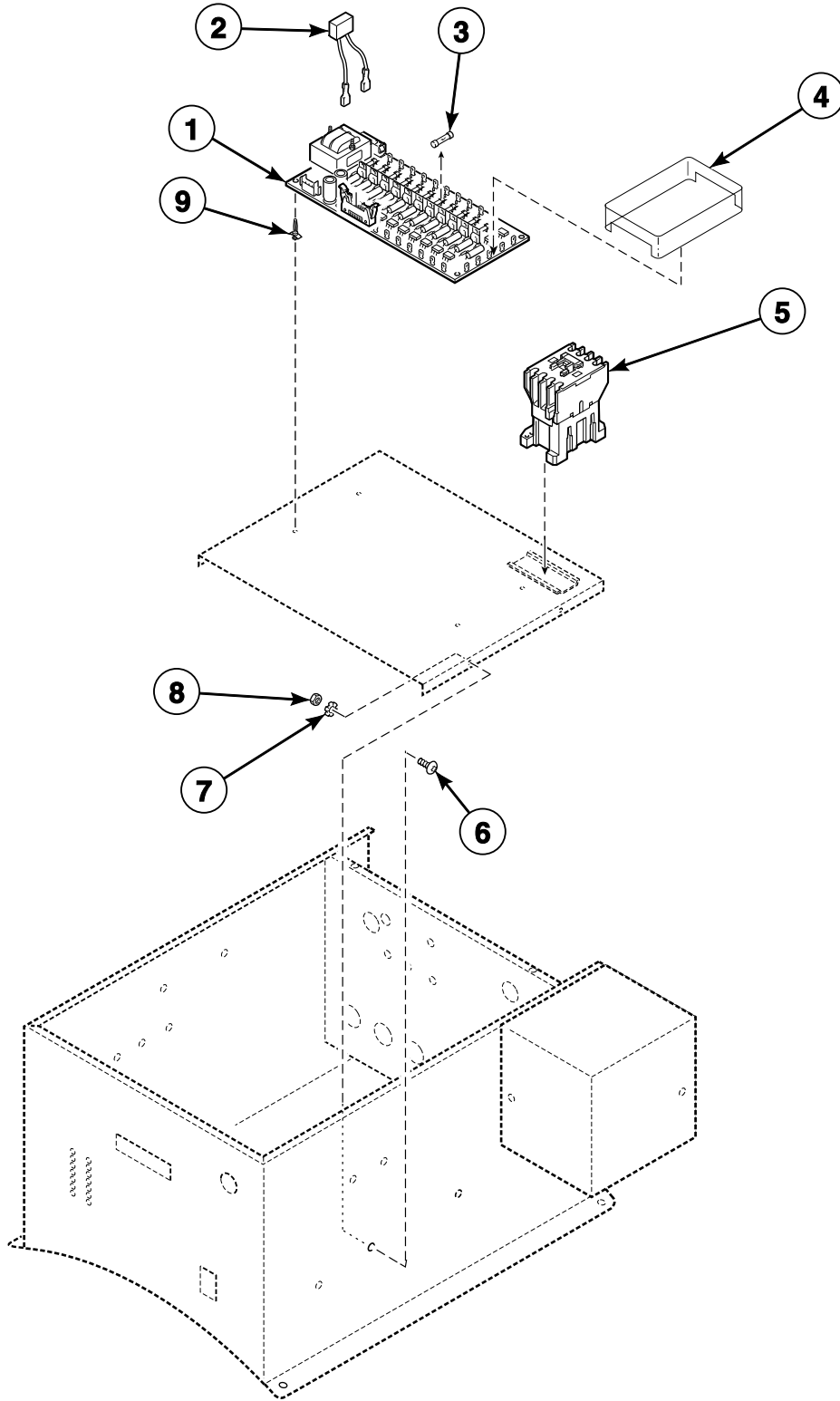
PHM1012P\_F232211

## Control Module (Drawing 1 of 5)

REF	PART NO.	DESCRIPTION	COMMENTS
1	F634558	Control Module Cover	
2	505281	Disconnect Power Warning Label	
3	70240301	Screw	
4	F633435	External Supply Box Cover	
5	F431000	Nut	
6	F431108	Washer	
7	F606826	Computer Cover	
8	F370313-10P	V-Series Microcomputer Board Kit	
9	F430231	Nut	
10	F431125	Washer	
11	F8136401	Screw	
12	F431123	Washer	
13	F330217P	RC Network Filter	Includes F140627 Connector and F141022 Connector
14	F340412	Momentary Switch	
15	F231083	Emergency Stop Decal	
16	N/A	Emergency Stop Button Kit	800E-Series; Order F200233700P Emergency Stop Button Kit
	F200233700P	Emergency Stop Button Kit	800E-Series to 800F-Series Conversion Kit; Includes F200233500 Emergency Stop Pushbutton and F200233401 Contact Block Switch
	F200233500	Emergency Stop Pushbutton	800F-Series
17	F340445	Contact Block Switch	800E-Series; Includes mounting base
	F200299500	Contact Block Switch	800E-Series; Without mounting base
	F200233401	Contact Block Switch	800F-Series; Includes F8069501 Contact Switch and F8538101 Contact Base
	F8069501	Contact Switch	
	F8538101	Contact Base	
18	F370576P	Keypad	
19	F231417	Control Module Decal	
20	FUW100VV-MDL	Control Module Sub-Assembly	

**N/A = Part no longer available**

# Control Module (Drawing 2 of 5)



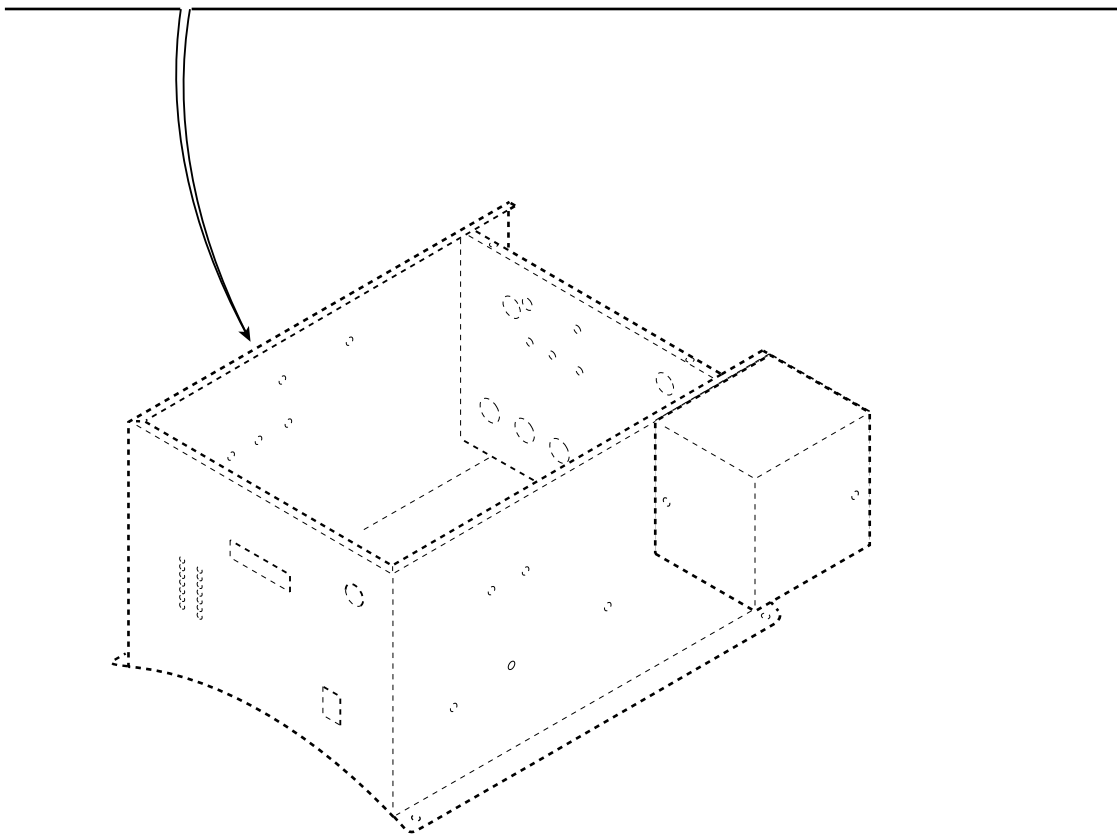
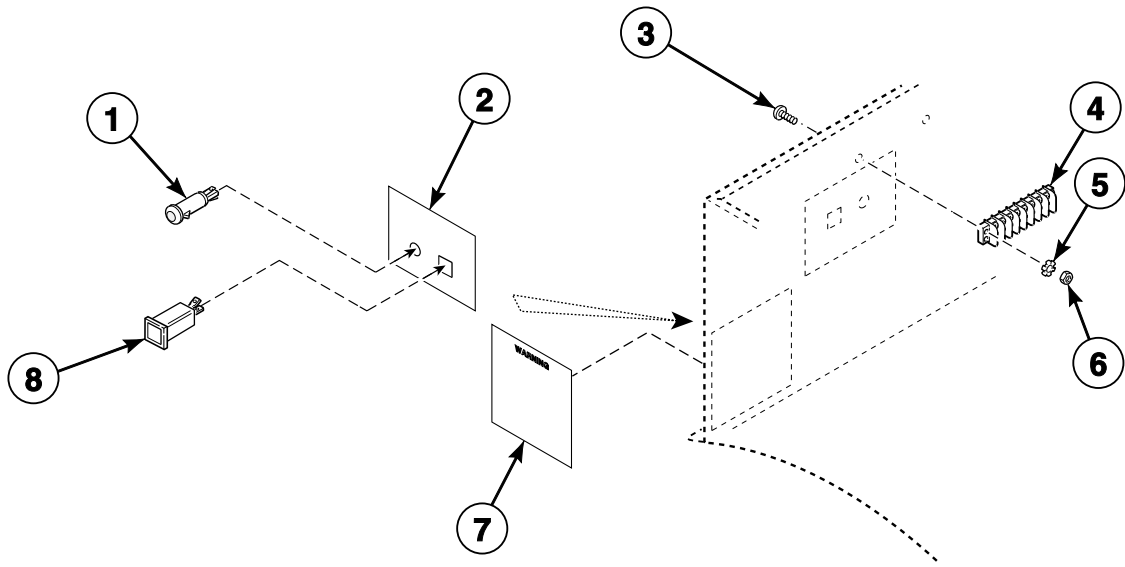
PHM2376P\_F232211

## Control Module (Drawing 2 of 5)

REF	PART NO.	DESCRIPTION	COMMENTS
1	F8206501P	Output Board VCMP Assembly	
2	F330217P	RC Network Filter	Includes F140627 Connector and F141022 Connector
3	F350108	Fuse	1/8 Amp; Slo blo
	F350109	Fuse	1/2 Amp; Fast blo
	F350110	Fuse	1 Amp; Slo blo
4	N/A	Dust Cover	
5	F330178P	Contacto	
6	F430928	Screw	
7	F431113	Washer	
8	F431022	Nut	
9	F180506	Standoff	

N/A = Part no longer available

# Control Module (Drawing 3 of 5)

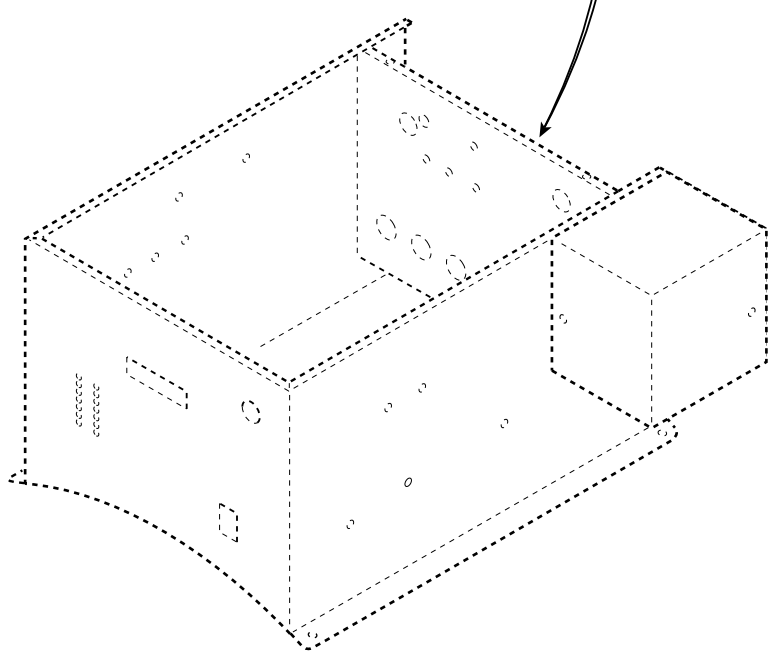
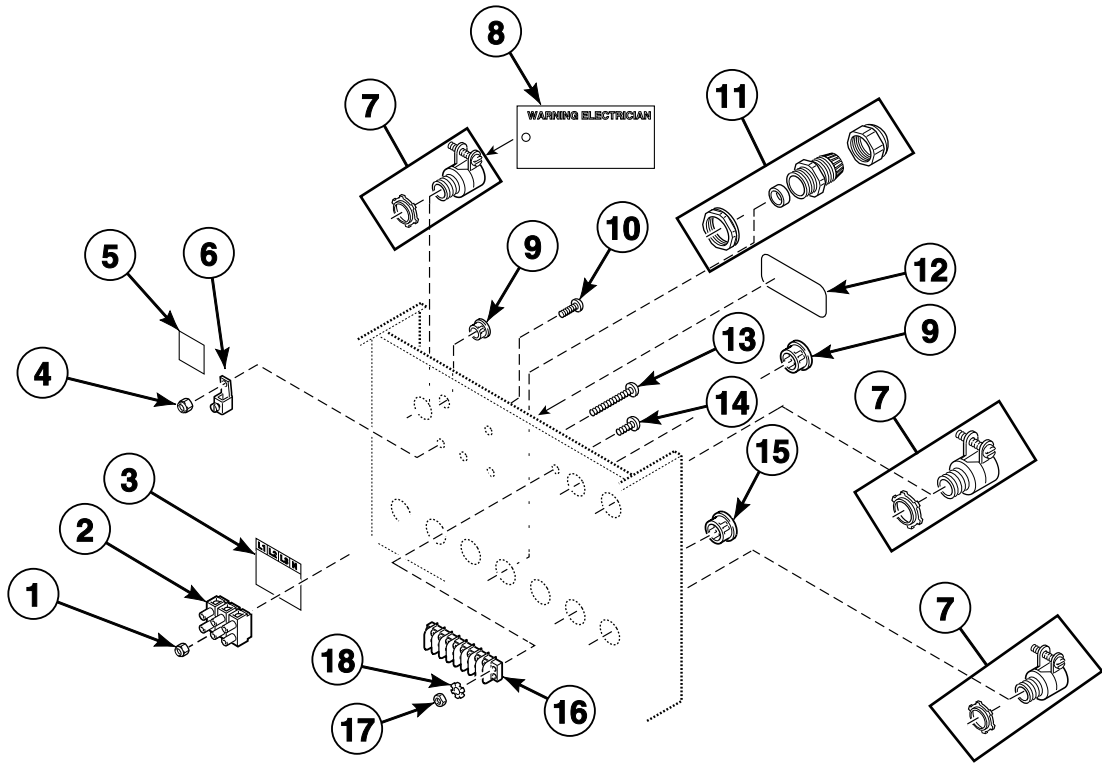


PHM1014P\_F232211

## Control Module (Drawing 3 of 5)

REF	PART NO.	DESCRIPTION	COMMENTS
1	F350412	Light	Red
2	F231421	Thermal Overload Decal	
3	F430916	Screw	
4	F140738	Terminal Strip	
5	F431113	Washer	
6	F431022	Nut	
7	F231345-4	External Supply Caution Decal	
8	F350210	Circuit Breaker	2 Amp

# Control Module (Drawing 4 of 5)



PHM1015P\_F232211

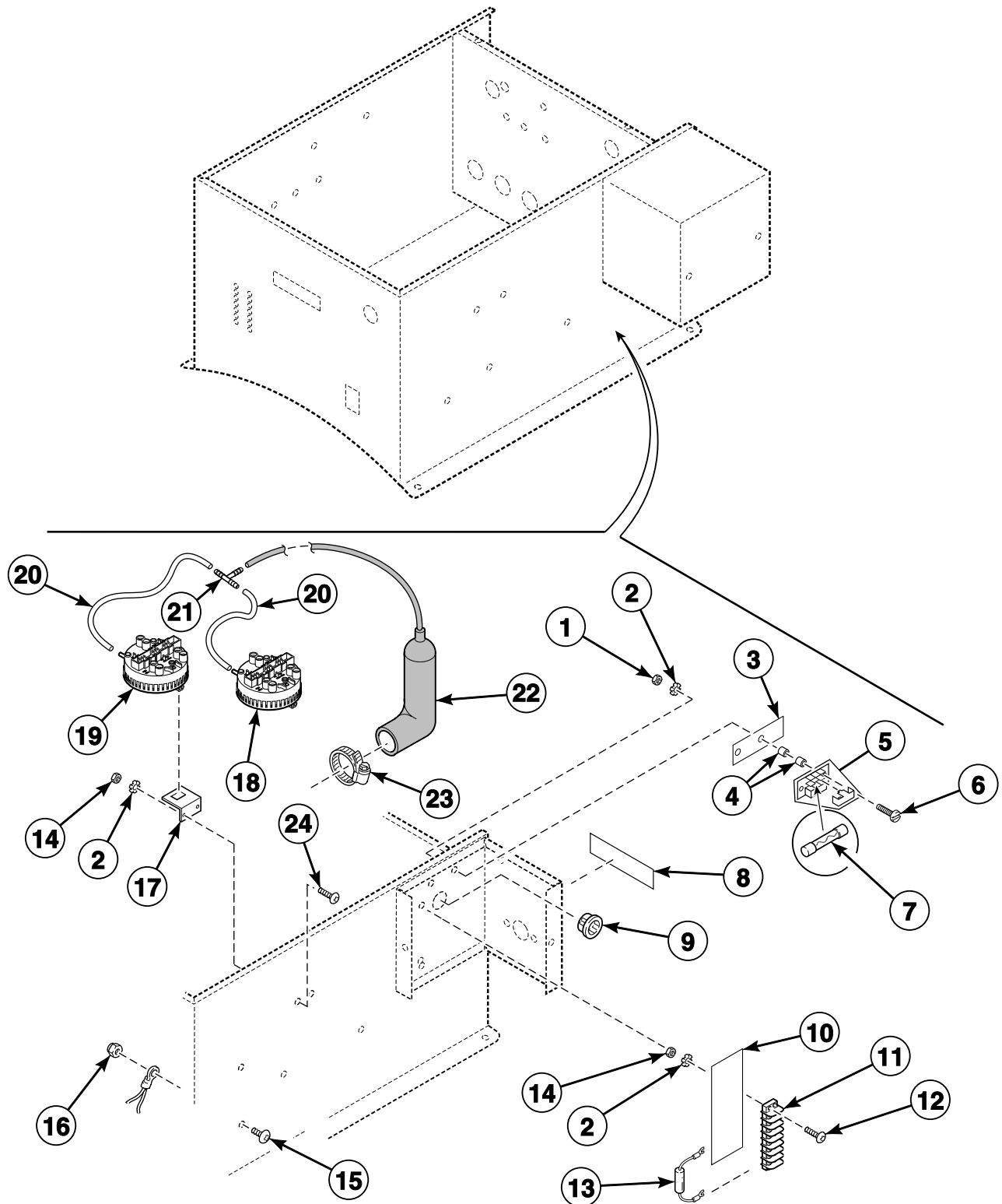


## Control Module (Drawing 4 of 5)

REF	PART NO.	DESCRIPTION	COMMENTS
1	F430231	Nut	
2	F140747	Input Power Block	
3	F230677	Input Power Connector Decal	
4	F431017	Nut	
5	F230630	Ground Decal	
6	F140734	Ground Terminal Lug	
7	F140305	Connector	
8	N/A	Electric Warning Decal	
9	F140527	Plug	
10	F430920	Screw	
11	F140329	Strain Relief Connector	
12	N/A	Decal	
13	F430938	Screw	
14	F430916	Screw	
15	F140909	Insulator Bushing	
16	F140738	Terminal Strip	
17	F431022	Nut	
18	F431113	Washer	

N/A = Part no longer available

# Control Module (Drawing 5 of 5)

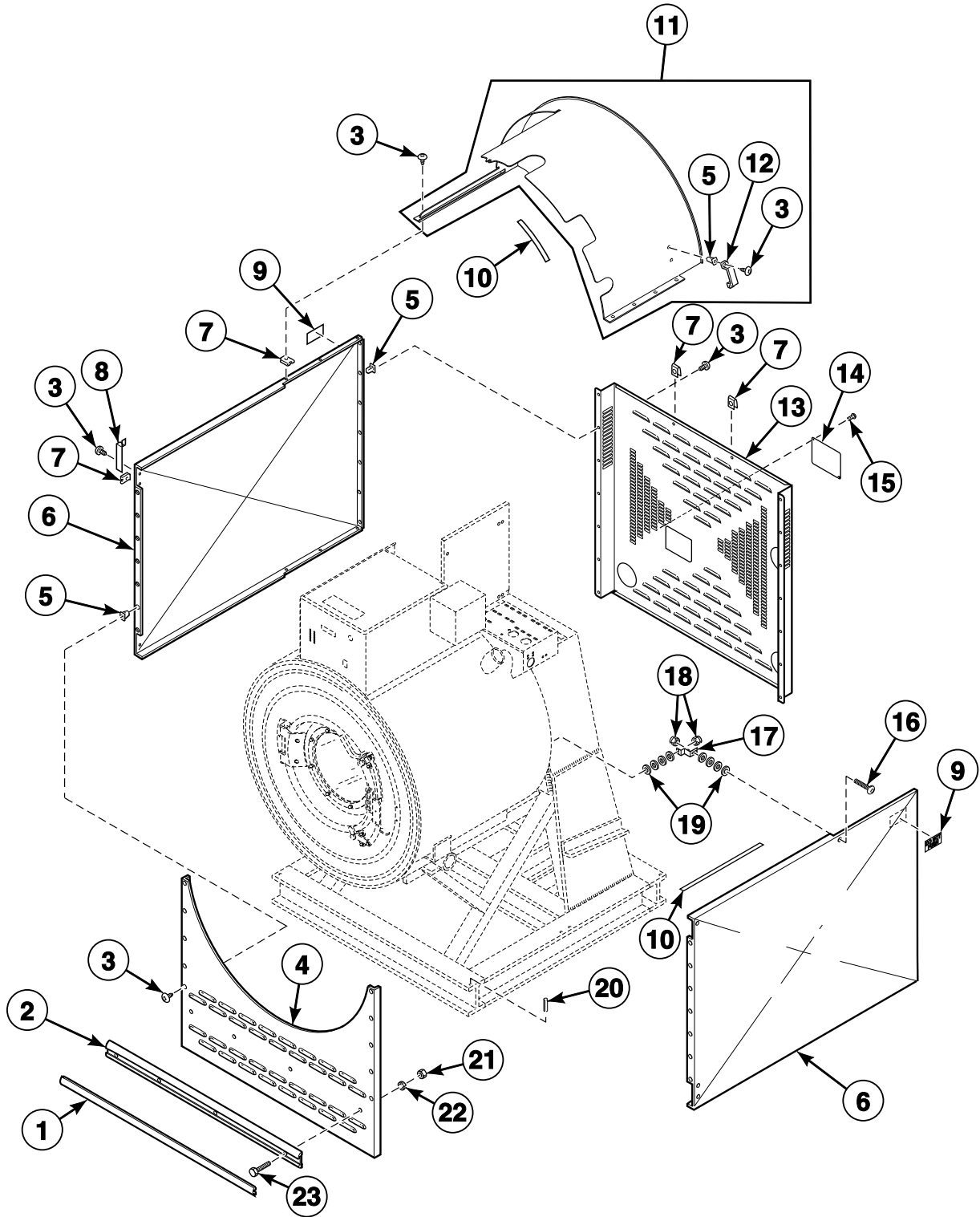


PHM3081P\_F232211

## Control Module (Drawing 5 of 5)

REF	PART NO.	DESCRIPTION	COMMENTS
1	F431800	Nut	
2	F431113	Washer	
3	F231271	External Supply Fuse Decal	
4	F431911	Spacer	
5	F0350312-10	Fuse Holder	
6	F430910	Screw	
7	F350110	Fuse	1 Amp
	F350145	Fuse	1.6 Amp
	F350115	Fuse	3 Amp
8	F230606	External Supply Control Decal	
9	F140909	Insulator Bushing	
10	F230764-6	External Supply Connection Decal	
11	F140776	Terminal Block	
12	F430910	Screw	
13	F370117	Resistor	
14	F431022	Nut	
15	F430917	Screw	
16	F430213	Nut	
17	F630242	Water Level Switch Bracket	
18	F340309P	Water Level Switch	High
19	F340308P	Water Level Switch	Low
20	F422404P	Tubing	
21	F422805	Tee	
22	F200163	Air Trap Hose	
23	F200222	Hose Clamp	No. 12
24	F430917	Screw	

# Front, Rear and Side Panels

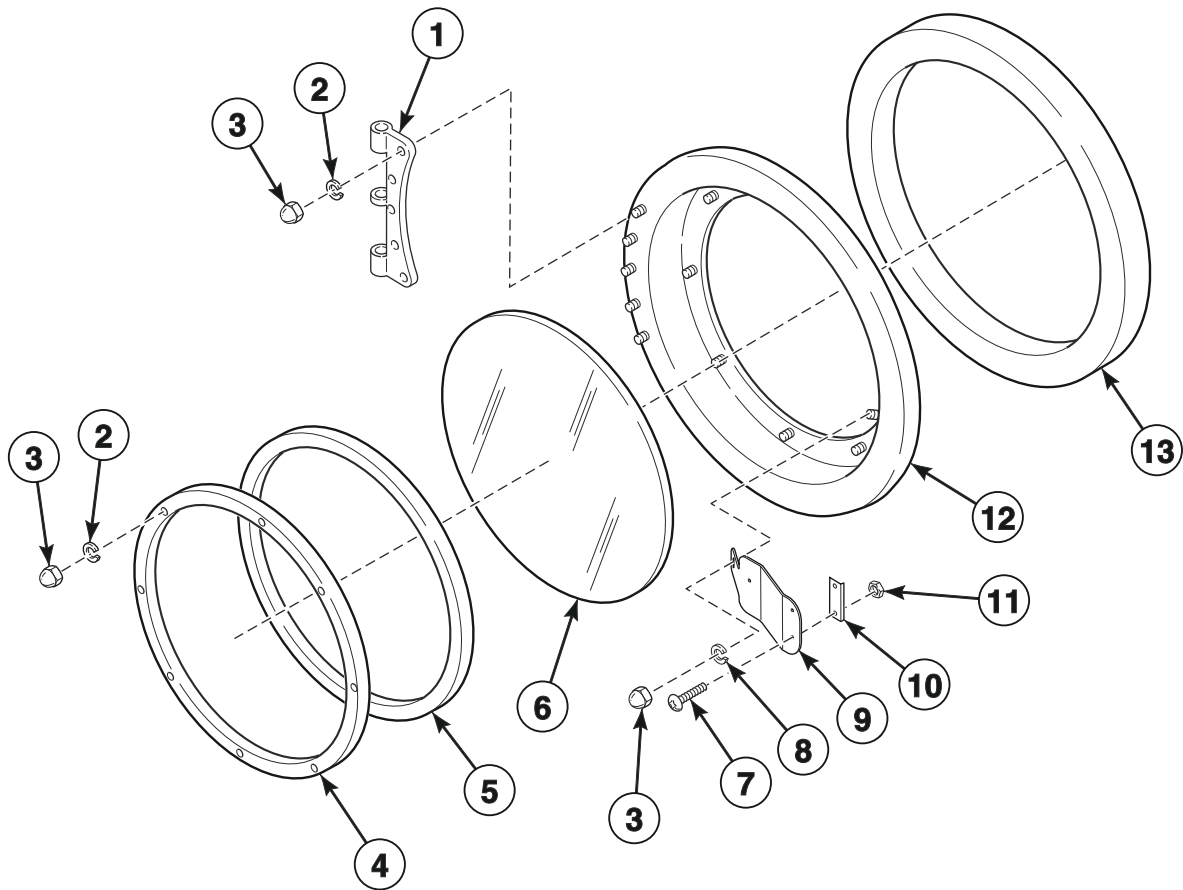


PHM2500P\_F232211

## Front, Rear and Side Panels

REF	PART NO.	DESCRIPTION	COMMENTS
1	F150397	Extrusion Insert	Order 4 feet
2	F150410	Rub Rail	
3	F430956	Screw	
4	F635718	Front Panel	
5	F0431807-00	Nut	
6	F635713	Side Panel	
7	F430264	Nut	Tinnerman
8	F634430	Side Panel Cover	
9	F230302	Do Not Push Decal	
10	F170400RP	Trim	
11	F635725	Cage Wrap Assembly	Includes items 3, 5 and 12
12	F605324	Hose Strap	
13	F200188100	Rear Panel	
14	F200188300	Belt Inspection Port Cover	
15	70240301	Screw	
16	F430921	Screw	
17	F601982	Side Panel Bracket	
18	F430215	Nut	
19	F430317	Washer	
20	F430415	Pin	
21	F430211	Nut	
22	F431100	Washer	
23	F430921	Screw	

# Door Assembly (Drawing 1 of 2)

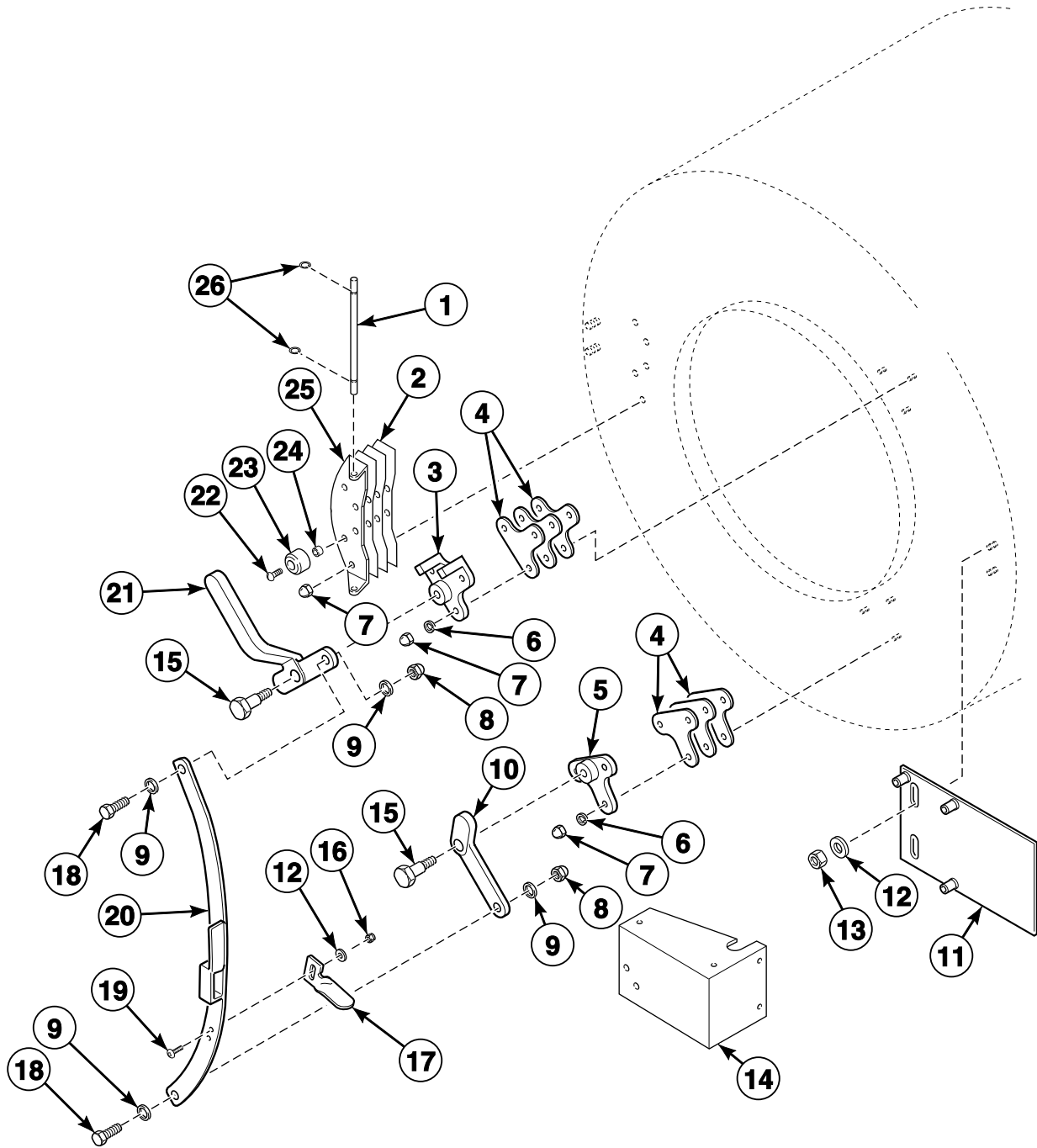


PHM2466P\_F232211

## Door Assembly (Drawing 1 of 2)

REF	PART NO.	DESCRIPTION	COMMENTS
1	F150233	Door Butt	
2	F431100	Washer	
3	F8549401	Nut	
4	F8504901	Door Glass Retainer	
5	F170115	Door Glass Gasket	
6	F290210P	Glass	
7	F431100	Washer	
8	F430916	Screw	
9	F634416	Door Handle	
10	F8390801	Magnet	
11	F430231	Nut	
12	F634678	Studded Door Assembly	
13	F8434801	Door Gasket	

# Door Assembly (Drawing 2 of 2)



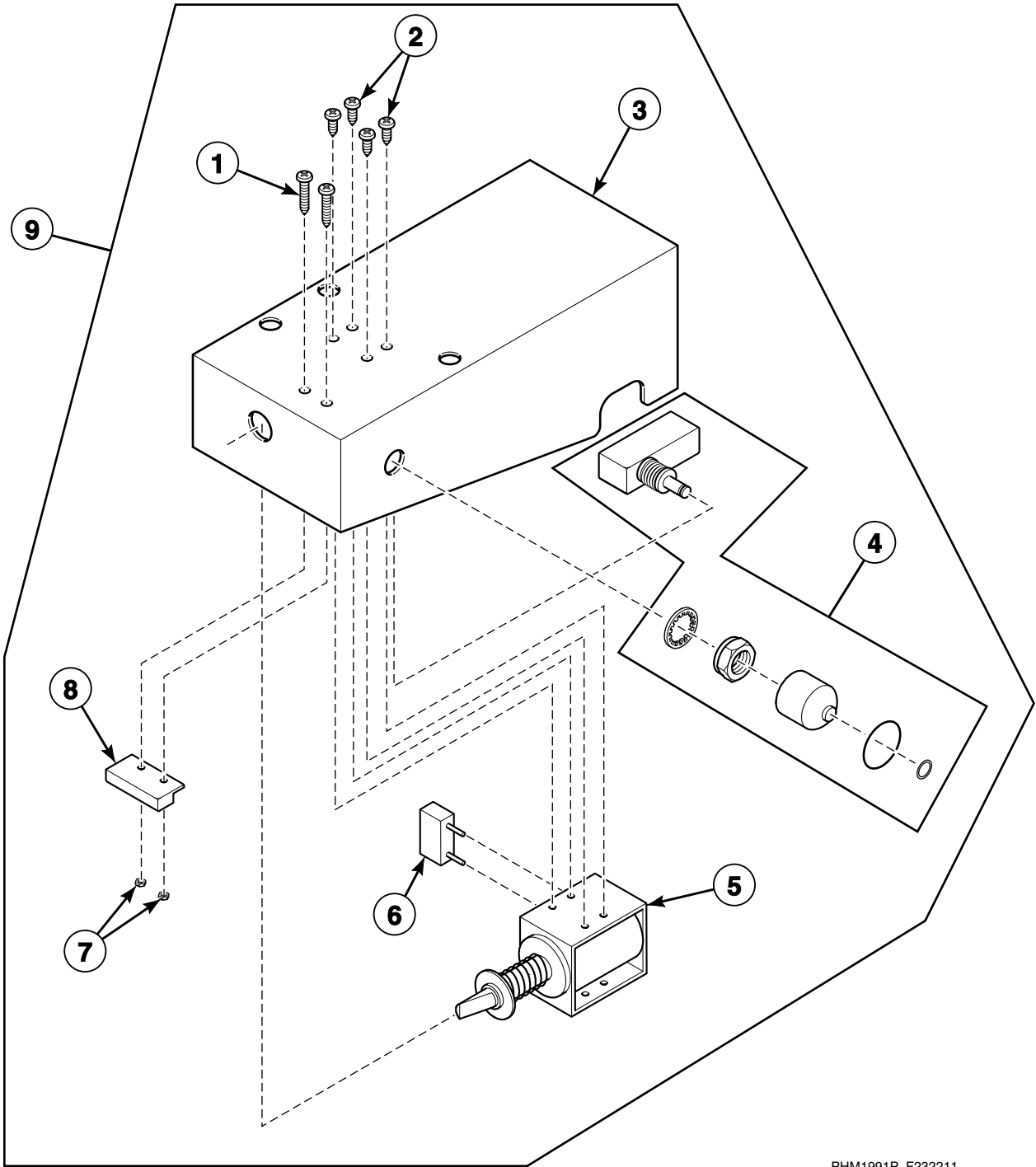
PHM2471P\_F232211



## Door Assembly (Drawing 2 of 2)

REF	PART NO.	DESCRIPTION	COMMENTS
1	F432307	Door Hinge Pin	
2	F601948	Door Butt Shim	
3	F150201P	Top Latch Bracket Casting	
4	F602058	Door Latch Bracket Shim	
5	F150202	Lower Door Latch Bracket Casting	
6	F431100	Washer	
7	F8549401	Nut	
8	F431043	Nut	
9	F431118	Washer	
10	F150204	Lower Door Latch Casting	
11	F634693	Door Box Plate Assembly	
12	F430312	Washer	
13	F430215	Nut	
14	F634822-1	Door Box Assembly	
15	F430168	Screw	
16	F430231	Nut	
17	F601639	Extension Arm Tab	
18	F430927	Screw	
19	F430916	Screw	
20	F8022301	Extension Arm Weldment	
21	F150203	Door Handle Casting	
22	F430103	Screw	
23	F150366	Door Bumper Moulding	
24	F430416	Door Bumper Bushing	
25	F150233	Door Butt	
26	F310215	Retaining Ring	

# Door Box Assembly

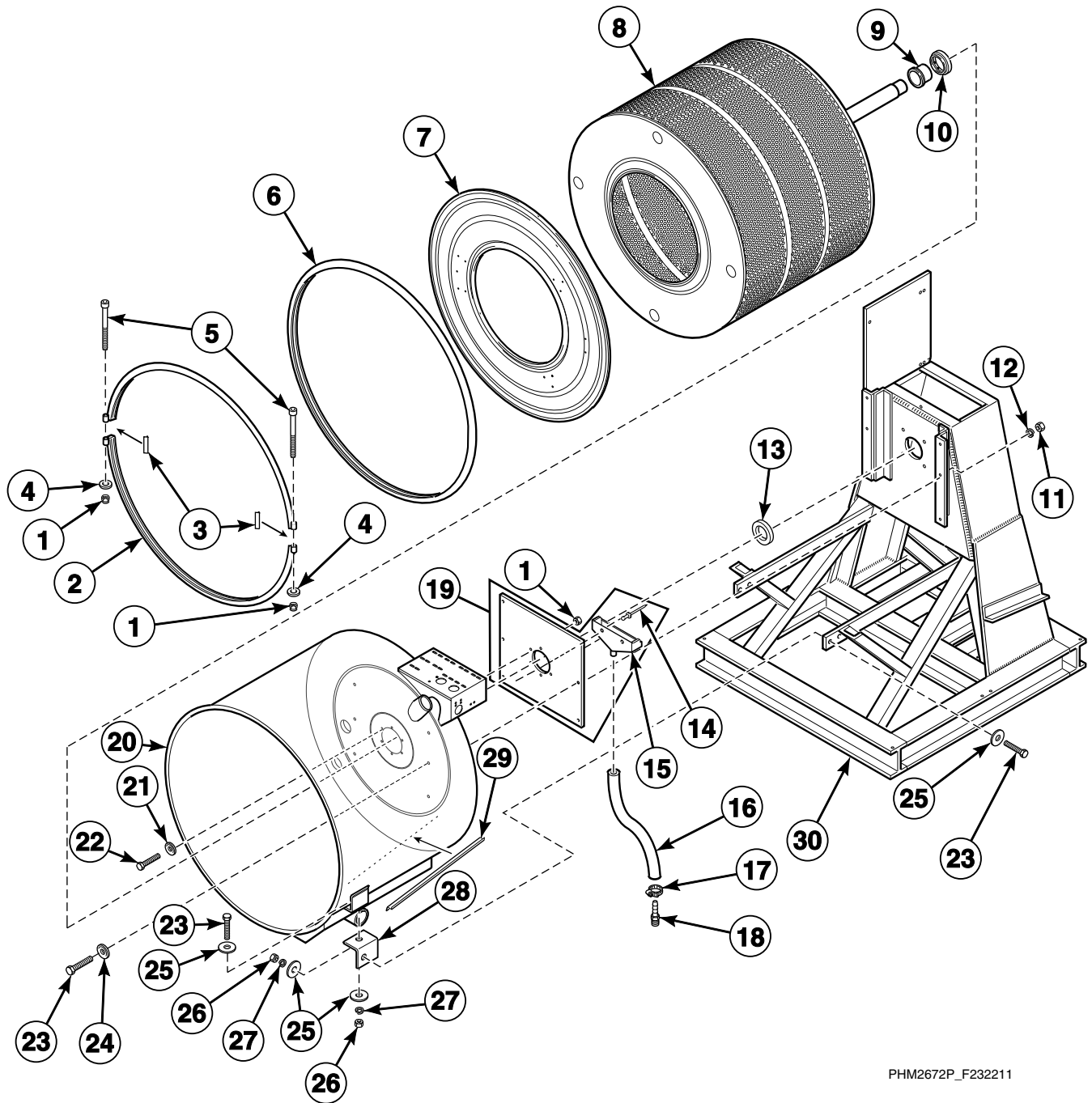


PHM1991P\_F232211

# Door Box Assembly

REF	PART NO.	DESCRIPTION	COMMENTS
1	F430928	Screw	
2	F430995	Screw	
3	F634415	Door Box	
4	F340906	Microswitch	
5	F300129P	Door Lock Solenoid	
6	F330217P	RC Network Filter	Includes F140627 Connector and F141022 Connector
7	F430231	Nut	
8	F200321200	Magnetic Switch Assembly	
9	F634822-1	Door Box Assembly	Includes items 1-8

# Basket, Shell and Frame

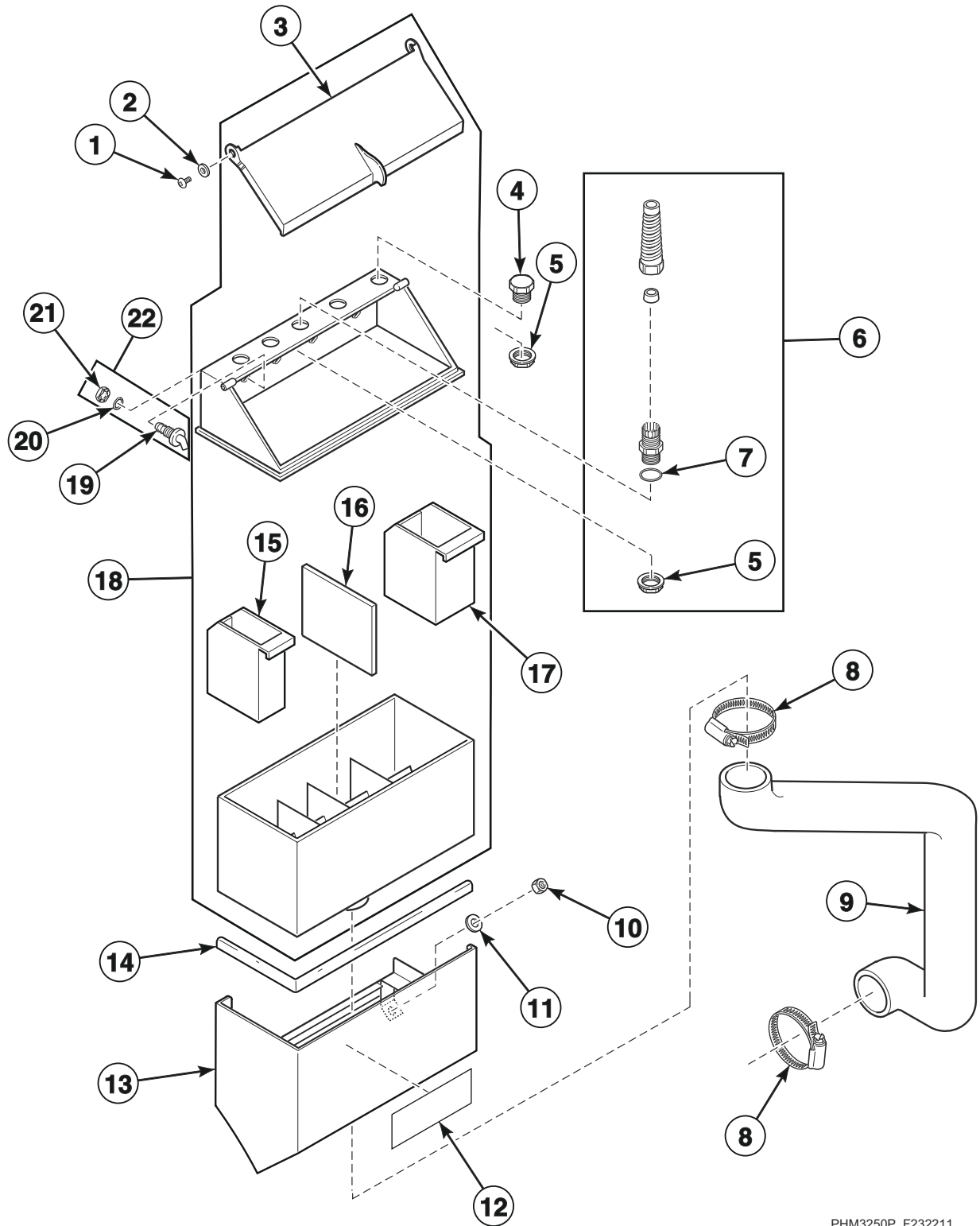


PHM2672P\_F232211

## Basket, Shell and Frame

REF	PART NO.	DESCRIPTION	COMMENTS
1	F430211	Nut	
2	F603630	Shell Band Assembly	
3	F601216	Shell Gasket Shield	
4	F430317	Washer	
5	F430500	Screw	
6	F170120RP	Shell Band Gasket	
7	F634691	Shell Front Assembly	Includes top latch bracket casting, lower door latch bracket casting, lower door latch casting, door handle casting, retaining ring, door butt, door bumper, door bumper bushing, extension arm weldment, extension arm tab, door hinge pin, door box plate assembly, door latch bracket shim, F601948 Door Butt Shim, F430103 Screw, F430168 Screw, F430916 Screw, F430927 Screw, F430215 Nut, F430231 Nut, F431026 Nut, F431043 Nut, F431125 Washer, F430312 Washer, F431100 Washer and F431118 Washer
	F8136001P	Shell Front Weldment	
8	F603686	Basket Assembly	
9	F798833-00	Seal Kit	Includes items 1, 4-6, 10, 13, 21, 22, shaft seal and sealant
10	F010030901P	Face Seal	
11	70142	Nut	
12	M400013	Washer	
13	F100205	Slinger	
14	F431217	Pop Rivet	
15	F150389	Scupper	
16	F200107P	Water Hose	
17	F200206	Hose Clamp	No. 4
18	F421929	Hose Barb	
19	F604051	Shell Plate Assembly	Includes items 14 and 15
20	F0634860-02	Shell Weldment	
21	F431112	Washer	
22	F430913	Screw	
23	800461	Screw	
24	F431116	Washer	
25	M400081	Washer	
26	F430205	Nut	
27	M400014	Washer	
28	F601951	Shell Bracket Support	
29	F150364	Drip Rail	
30	F634713	Frame Assembly	

# Supply Dispenser

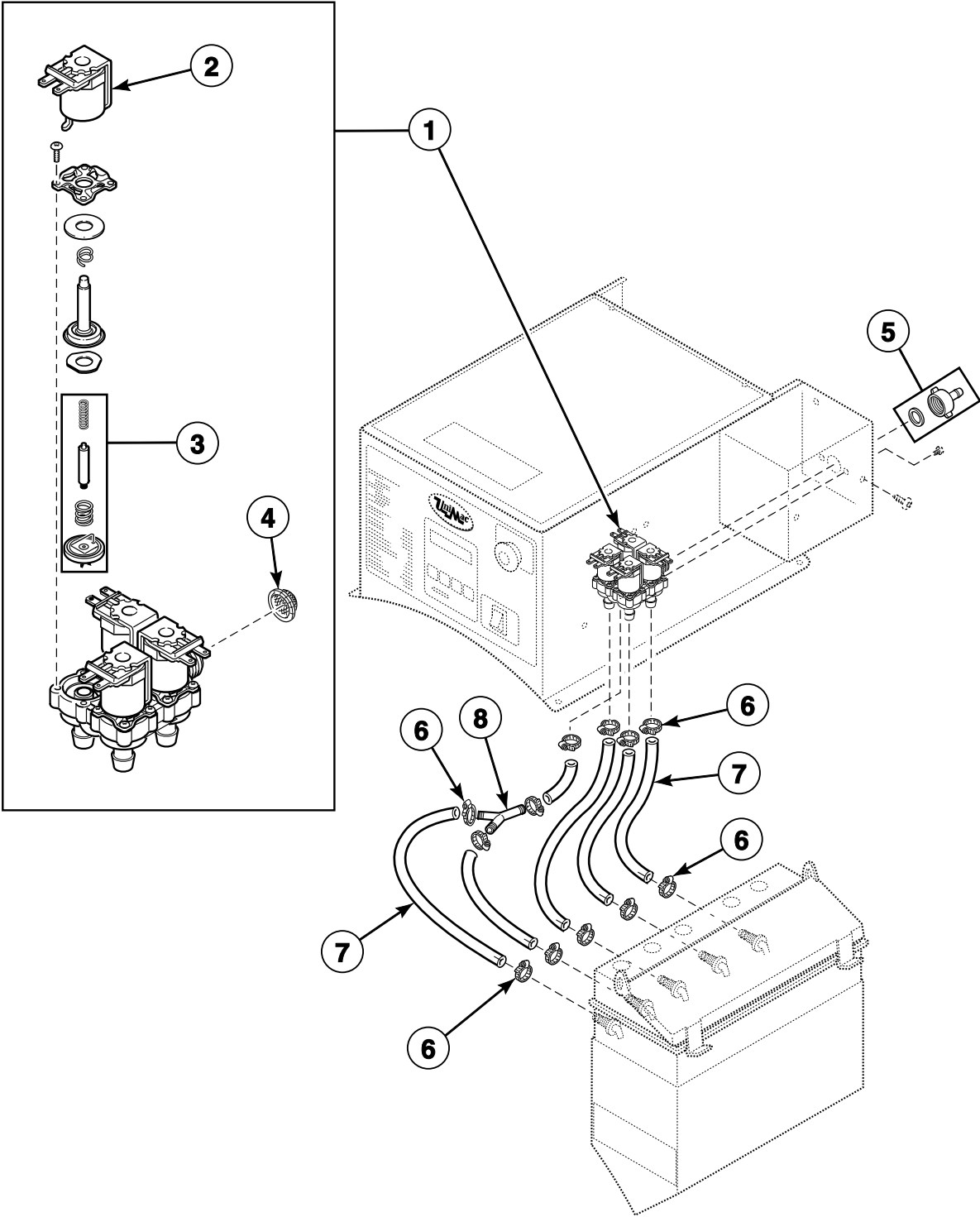


PHM3250P\_F232211

# Supply Dispenser

REF	PART NO.	DESCRIPTION	COMMENTS
1	F430917	Screw	
2	F431133	Washer	
3	F0150514-00	Dispenser Lid	
4	F190304	Plug Cap	
5	F140340P	Strain Relief Connector	Includes F0431160-00 Nut
6	F749802	Strain Relief Adapter Kit	Includes items 5 and 7
7	F170215	O-Ring	
8	F200213	Hose Clamp	No. 40
9	F150487	Chemical Supply Hose	
10	F431042	Nut	Loctite 262 is required for installation
11	F8195301	Washer	
12	F231436	Supply Dispenser Hazard Caution Decal	
13	F8024303	Dispenser Shroud Weldment	
14	F170400RP	Trim	
15	F150385	Chemical Supply Cup	20 ounce; 3 used
16	F0150525-00	Supply Dispenser Spacer	
17	F150386	Chemical Supply Cup	32 ounce; 2 used
18	F0150512-00P	Dispenser Assembly	Includes items 3 and 15-17
19	F8322001	Injection Nozzle	
20	F170208	O-Ring	
21	802292	Nut	
22	F730168	Injection Nozzle Kit	Includes items 19-21

# Water Supply Valve and Hoses to Supply Dispenser



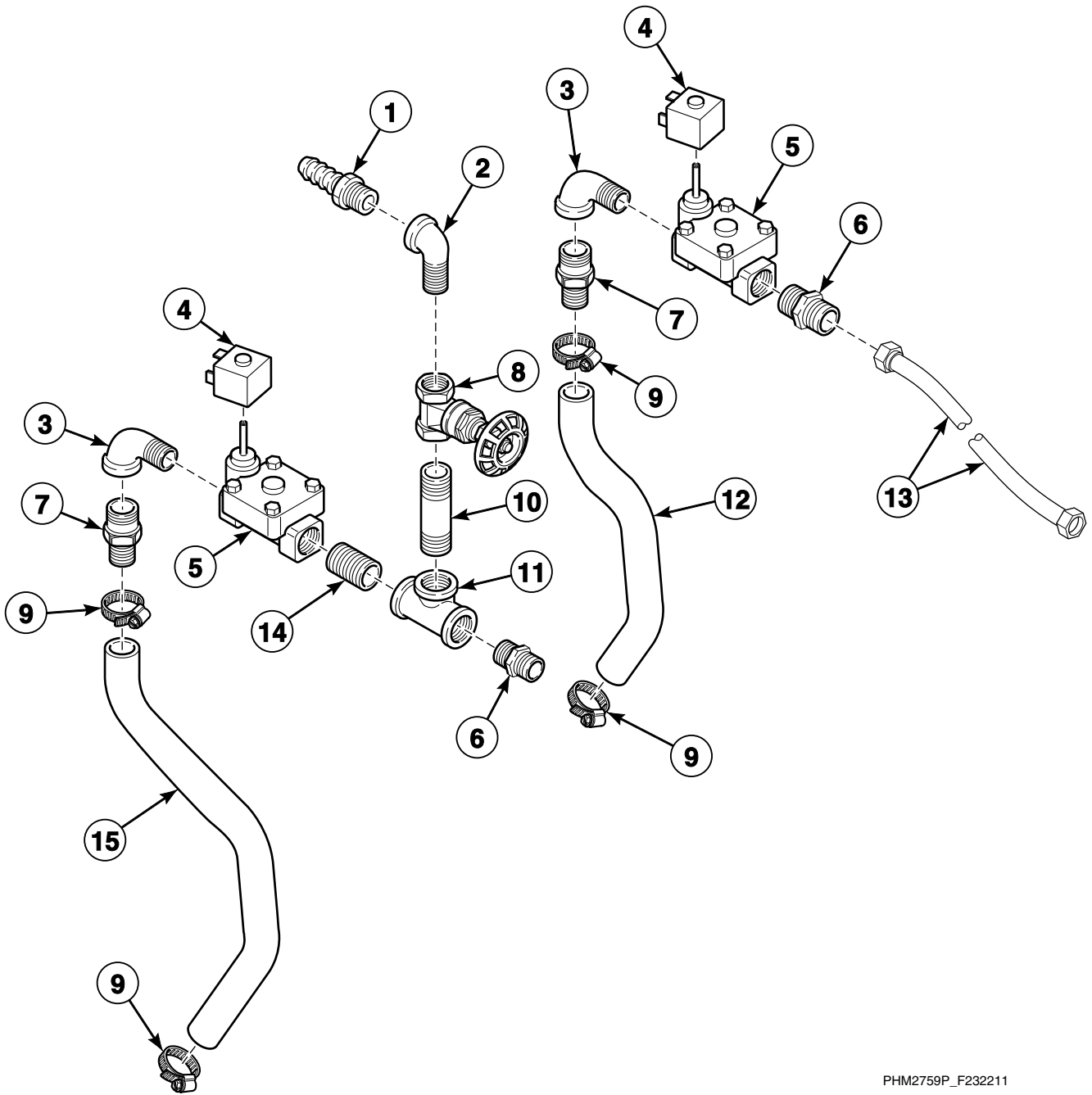
PHM1169P\_F232211



## Water Supply Valve and Hoses to Supply Dispenser

REF	PART NO.	DESCRIPTION	COMMENTS
1	F381724P	4-Way Valve	
2	F380900	Coil	
3	G582P3	Diaphragm and Guide Kit	
4	F270200	Strainer	
5	F200302	Hose Connector	
6	36801	Hose Clamp	No. 6
7	F200110P	Water Hose	
8	F422816	Y Connector	

# Fill Plumbing



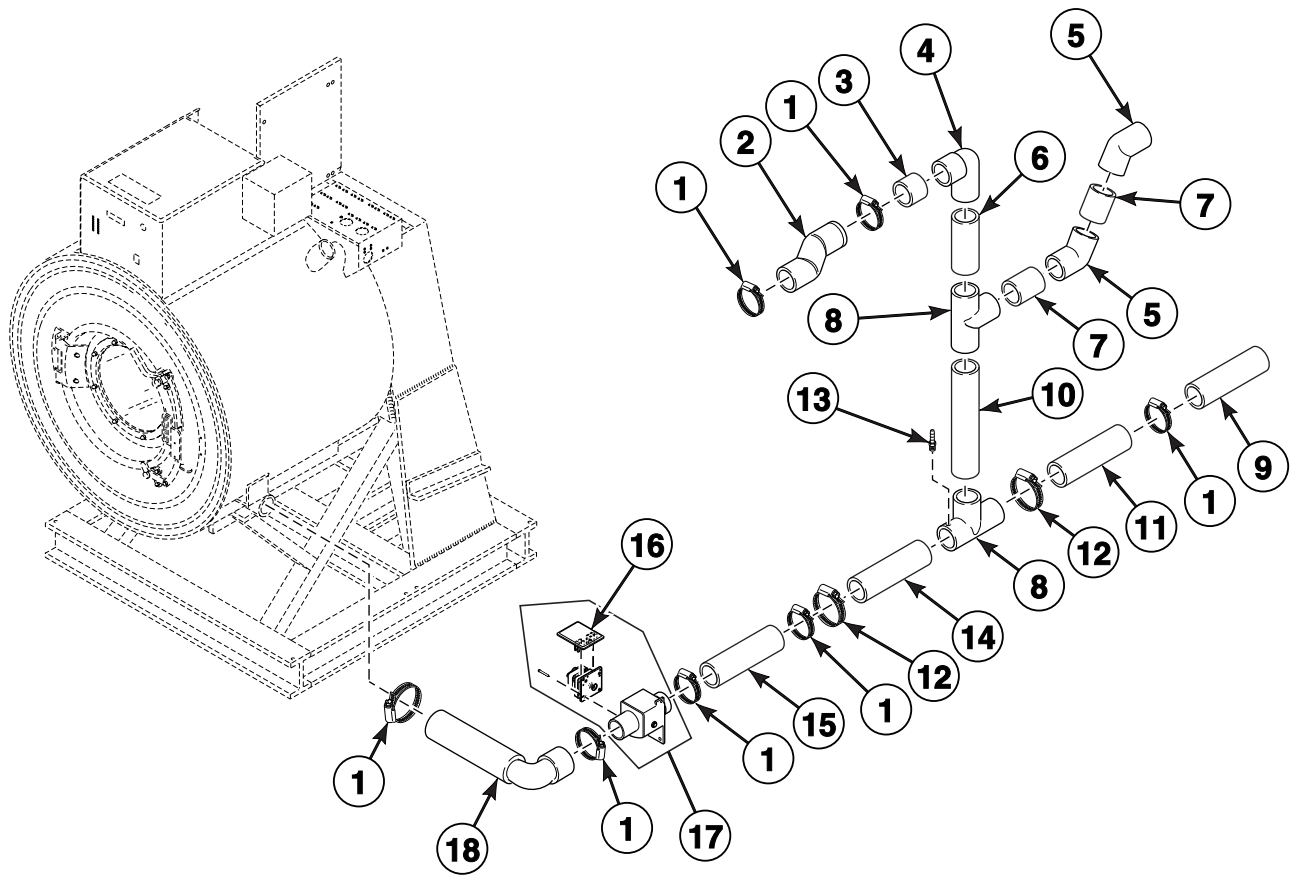
PHM2759P\_F232211

## Fill Plumbing

REF	PART NO.	DESCRIPTION	COMMENTS
1	F421964	Hose Barb	Starch models
2	F422304	Street Elbow	
3	F422336	Street Elbow	
4	F380986P	DIN Coil	120 Volt; Parker
5	F381727P	Valve	120 Volt; Parker
	F141901P	DIN Harness Assembly	
6	F421968	Hose Adapter	
7	F421952	Hose Barb	
8	F380500	Gate Valve	
9	F200204	Hose Clamp	No. 20
10	F421947	Nipple	
11	N/A	Tee	
12	F0634710-03	Hose	
13	F200187	Water Hose	
	F200504	Washer	
14	F421965	Nipple	
15	F0634710-02	Hose	

**N/A = Part no longer available**

# Drain Valve and Plumbing



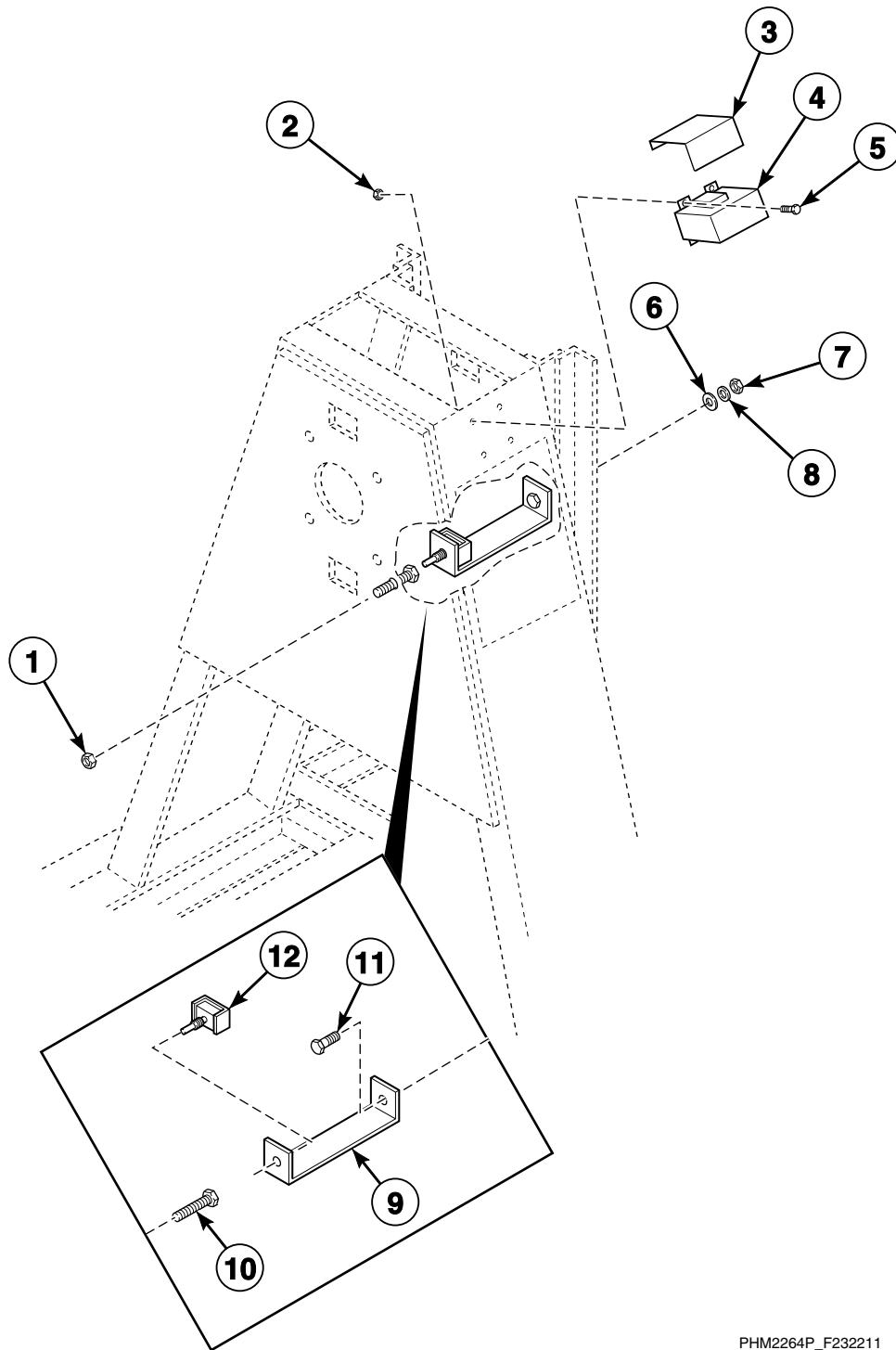
PHM2605P\_F232211

## Drain Valve and Plumbing

REF	PART NO.	DESCRIPTION	COMMENTS
1	F200201	Hose Clamp	No. 56
2	F0150488-00	Overflow Hose	
3	F0602365-15	Pipe	
4	N/A	Elbow	
5	F422917	Elbow	
6	F0602365-07	Pipe	
7	F0602365-11	Pipe	
8	N/A	Tee	
9	F200165100	Drain Hose	
10	F0602365-14	Pipe	
11	F0602365-10	Pipe	
12	F200220	Hose Clamp	No. 64
13	F421919	Nipple	
14	F0602365-20	Pipe	
15	F0150399-01	Drain Hose	
16	F200133600	Drain Valve Cover	
17	F200166402	Drain Valve Kit	Includes item 16
	F380918	Main Drive Kit	Drain valve repair kit
18	F0150399-02	Drain Hose	

**N/A = Part no longer available**

# Balance Switch and Control Transformer

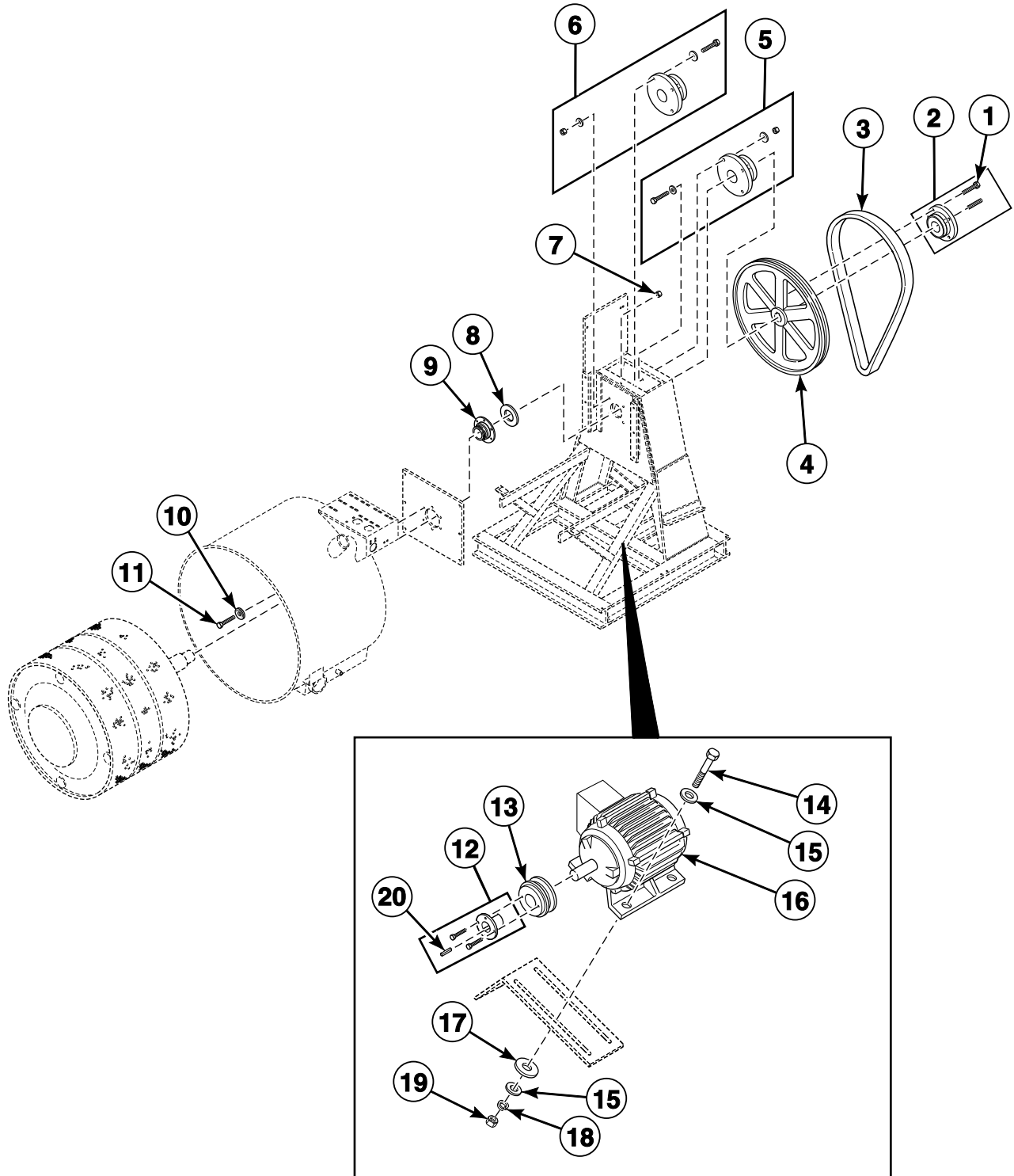


PHM2264P\_F232211

## Balance Switch and Control Transformer

REF	PART NO.	DESCRIPTION	COMMENTS
1	H88412101	Nut	
2	F430215	Nut	
3	F140425	Control Transformer Cover	
4	F360125P	Transformer	
5	F430107	Screw	
6	M400081	Washer	
7	F430205	Nut	
8	M400014	Washer	
9	F601750	Balance Switch Bracket	
10	F430124	Screw	
11	800461	Screw	
12	F340906	Microswitch	

# Motor, Belt, Pulley and Bearings



PHM2673P\_F232211

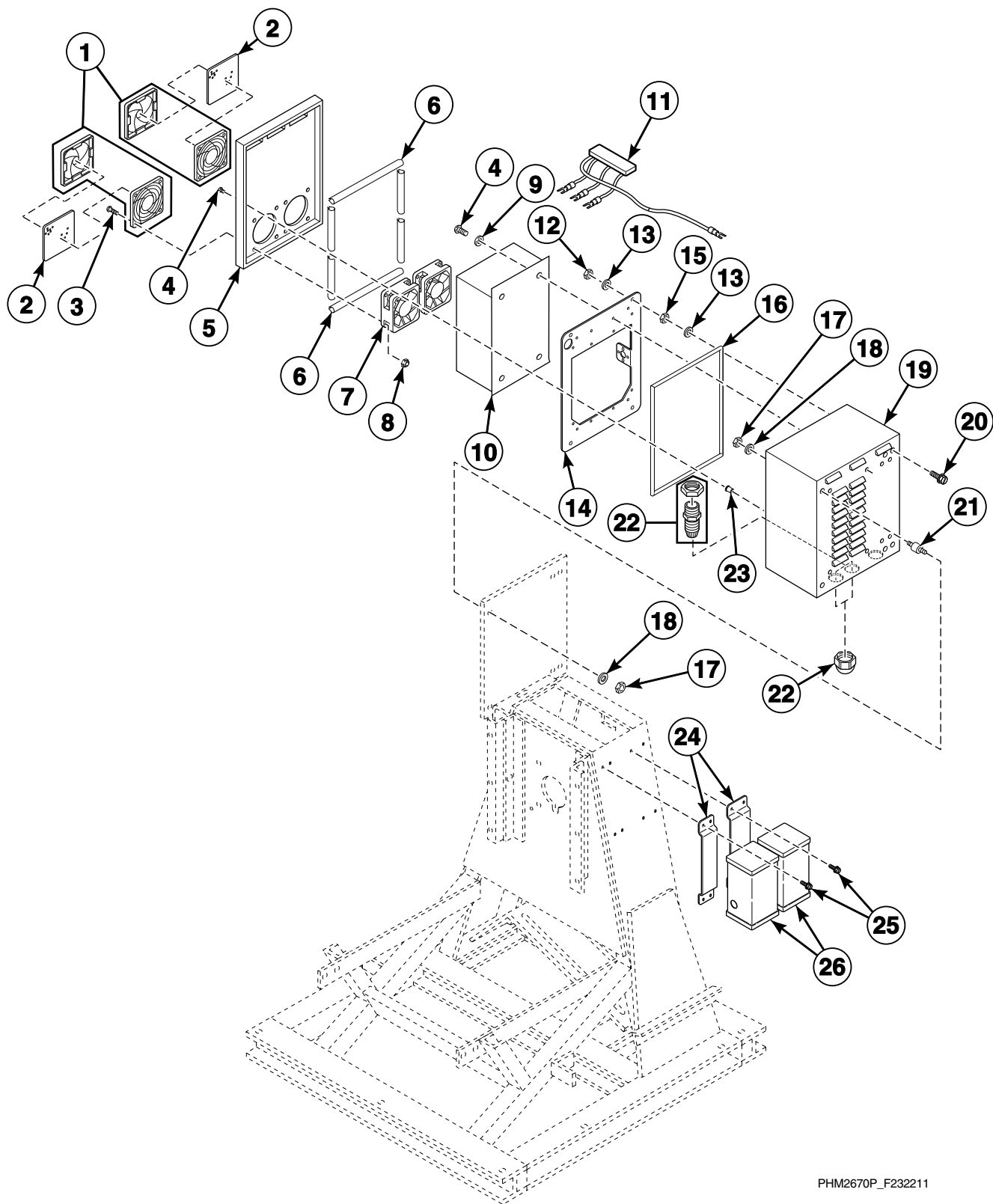


## Motor, Belt, Pulley and Bearings

REF	PART NO.	DESCRIPTION	COMMENTS
	F745401	Manual Bearing Greasing Retrofit Kit	Includes F630433 Grease Manifold Bracket, J1408004 Connector, F190701 Grease Fitting, F200190 Tubing (8 feet), F230745 Bearing Lubrication Instruction Decal, F320326 Grease Manifold, F430211 Nut, F430322 Washer, F430923 Screw, F430925 Screw and F431024 Nut
1	F602257	Key	
2	F280294P	Basket Pulley Bushing	U.S.; Includes screws and item 1; 2-7/16
3	F200140400P	Belt	BX108
4	F150268	Basket Pulley	33V33505F
5	F745004	Rear Bearing Kit	Includes F100152 Bearing, F430141 Screw, F430203 Nut, F430329 Washer and F704854 Key
6	F798835-00	Front Bearing Kit	Includes items 8-11, F170120RP Shell Band Gasket, F410102 Clear Sealant, F430935 Screw, F100152 Bearing, F430141 Screw, F430203 Nut, F430317 Washer, F430329 Washer, F431005 Nut, F431210 Pop Rivet and F704854 Key
7	F430211	Nut	
8	F100205	Slinger	
9	F010030901P	Face Seal	
	F798833-00	Seal Kit	Includes items 7-11, F410102 Clear Sealant, F170120RP Shell Band Gasket, F431210 Pop Rivet, F430935 Screw and F430317 Washer
10	F431112	Washer	
11	F430500	Screw	
12	F280242	Motor Bushing	Includes screws and item 20; H-1-3/8
13	F280289P	Drive Motor Pulley	3HV31; 3 groove; 3.15 inch OD; AC drive parameters must be compatible with the motor and motor pulley. Please request the AC drive parameter illustration for parameter verification when ordering a motor.
14	F430993	Screw	
15	M400081	Washer	
16	F220237P	Motor	195/390 Volt; 7.5 hp
17	F430300	Washer	
18	M400014	Washer	
19	F430205	Nut	
20	N/A	Key	

N/A = Part no longer available

# AC Drive



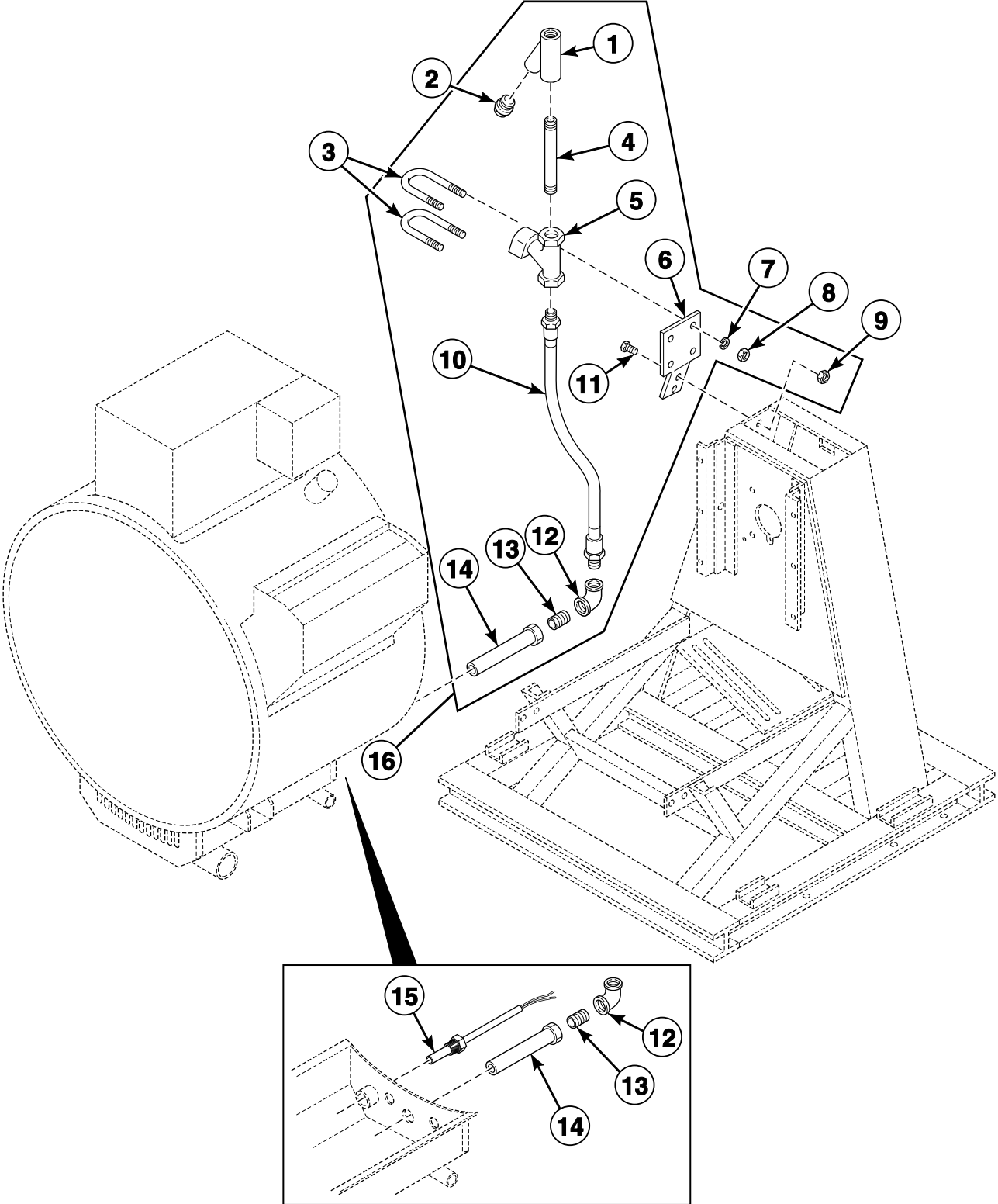
PHM2670P\_F232211

# AC Drive

REF	PART NO.	DESCRIPTION	COMMENTS
1	F220900	Filter Retainer Guard	
2	F200318900P	Filter	
3	F430916	Screw	
4	F430925	Screw	Used with 200 Volt inverter drives
	F430920	Screw	Used with 400 Volt inverter drives
5	N/A	AC Drive Box Cover	
6	F170158P	Gasket	
7	F110106	Muffin Fan	120 Volt
	F110105	Muffin Fan	220 Volt
8	F430231	Nut	
9	F430322	Washer	Used with 200 Volt inverter drives
	F431102	Washer	Used with 400 Volt inverter drives
10	F370838	Inverter Drive	200 Volt
	F370818	Inverter Drive	400 Volt
11	F200320900	AC Drive Radio Filter Assembly	
12	F430215	Nut	Used with 400 Volt inverter drives
13	F430317	Washer	Used with 400 Volt inverter drives
14	F632290	Plate Assembly	Used with 400 Volt inverter drives
15	F431005	Nut	Used with 400 Volt inverter drives
16	F170402P	Gasket	
17	F430205	Nut	
18	M400014	Washer	
19	F634811	AC Drive Box Assembly	200 Volt; Includes items 1-10, 16 and 22
	N/A	AC Drive Box Assembly	400 Volt; Includes items 1-10, 12-16, 20 and 22
20	F430935	Screw	Used with 400 Volt inverter drives
21	F432217	Sandwich Mount	
22	F140331	Strain Relief Connector	PG21
	F140224	Strain Relief Connector	PG29
23	F432212	Nut	
24	N/A	Transformer Adapter Plate	
25	F430107	Screw	
26	F200031100	Transformer	Buckboost; N-voltage

N/A = Part no longer available

# Steam Heat Option - Models through January, 2000



PHM2646P\_F232211

## Steam Heat Option - Models through January, 2000

REF	PART NO.	DESCRIPTION	COMMENTS
	F380984P	Steam Valve Repair Kit	Use with F380786P Steam Valve and F380787P Steam Valve
	F380986P	DIN Coil	120 Volt; Use with F380786P Steam Valve
	F380987P	DIN Coil	240 Volt; Use with F380787P Steam Valve
	F8514601	Coil	Use with F8322801P Valve
	F8514701	Coil	Use with F8322802 Valve
	F8382301	DIN Valve Adapter Kit	Use with F8322801P Valve and F8322802 Valve
	F8379501	Valve Kit	Use with F8322801P Valve and F8322802 Valve
<b>1</b>	F270307	Steam Filter	
<b>2</b>	F420409	Plug	
<b>3</b>	F200401P	U-Bolt Clamp	Includes items 7 and 8
<b>4</b>	70214101	Pipe Nipple	
<b>5</b>	F8322801P	Valve	Replaces F380787P Steam Valve; Includes F8514601 Coil; For models that have been upgraded with F8521801 DIN Valve Kit
	F8322802	Valve	Replaces F380786P Steam Valve; Includes F8514701 Coil; For models that have been upgraded with F8521601 DIN Valve Kit
	F8521801	DIN Valve Kit	Replaces F380787P Steam Valve; Includes F8322801P Valve, F8382301 DIN Valve Adapter Kit and F8514601 Coil
	F8521601	DIN Valve Kit	Replaces F380786P Steam Valve; Includes F8322802 Valve, F8382301 DIN Valve Adapter Kit and F8514701 Coil
<b>6</b>	N/A	Steam Valve Bracket	
<b>7</b>	F430322	Washer	
<b>8</b>	F430211	Nut	
<b>9</b>	F430215	Nut	
<b>10</b>	F200153P	Steam Hose	
<b>11</b>	F430913	Screw	
<b>12</b>	F420500	Street Elbow	
<b>13</b>	F421400	Bushing	
<b>14</b>	F603132	Steam Injector Tube Assembly	
<b>15</b>	F370606P	Temperature Probe	
<b>16</b>	N/A	Steam Plumbing Assembly	120 Volt; Includes F140887P Harness Assembly and items 1-14
	N/A	Steam Plumbing Assembly	220 Volt; Includes F140887P Harness Assembly and items 1-14

**N/A = Part no longer available**

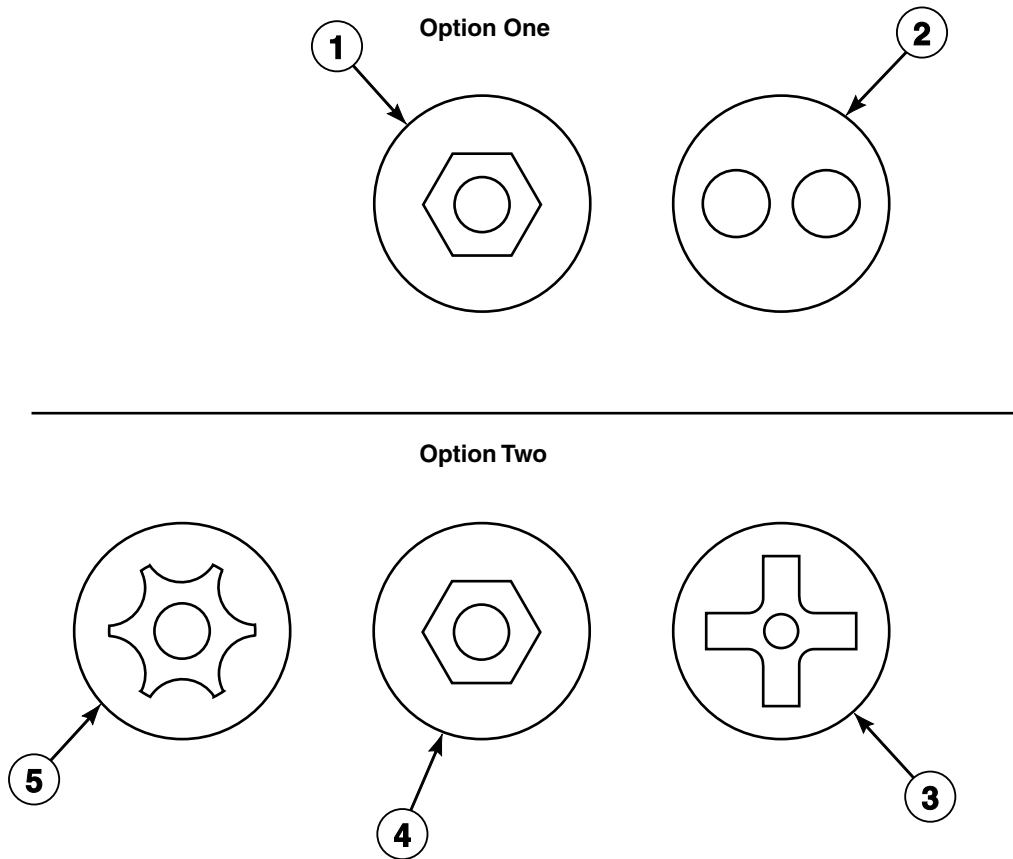


## Steam Heat Option - Models starting February, 2000

REF	PART NO.	DESCRIPTION	COMMENTS
	F410300	Pipe Insulation	
	F8382301	DIN Valve Adapter Kit	Use with F8322901P Valve
	F8379501	Valve Kit	Use with F8322901P Valve
<b>1</b>	F8322904P	Steam Valve	120 Volt
	F8322901P	Valve	Replaces F380796P Steam Valve; Includes F8514601 Coil; For models that have been upgraded with F8522001 DIN Valve Kit
	F8522001	DIN Valve Kit	Replaces F380796P Steam Valve; Includes F8322901P Valve, F8382301 DIN Valve Adapter Kit and F8514601 Coil
<b>2</b>	F380987P	DIN Coil	220 Volt; Use with F380796P Steam Valve
	F8514601	Coil	Use with F8322901 Valve
<b>3</b>	F420731	Nipple	
<b>4</b>	F270308	Steam Filter	
<b>5</b>	F200401P	U-Bolt Clamp	Includes washers and nuts
<b>6</b>	F420408	Plug	
<b>7</b>	F421107	Elbow	
<b>8</b>	F420729	Nipple	
<b>9</b>	F0420732-00	Nipple	
<b>10</b>	F635634	Steam Bracket Weldment	
<b>11</b>	M411264	Street Elbow	
<b>12</b>	F0200231-00	Steam Hose	
<b>13</b>	F421707	Street Elbow	
<b>14</b>	F603132	Steam Injector Tube Assembly	
<b>15</b>	F370606P	Temperature Probe	
<b>16</b>	N/A	Steam Plumbing Assembly	120 Volt; Includes items 1-4, 6-9 and 11-14
	N/A	Steam Plumbing Assembly	220 Volt; Includes items 1-4, 6-9 and 11-14

**N/A = Part no longer available**

# Security Fasteners



PHM2181P\_F232211

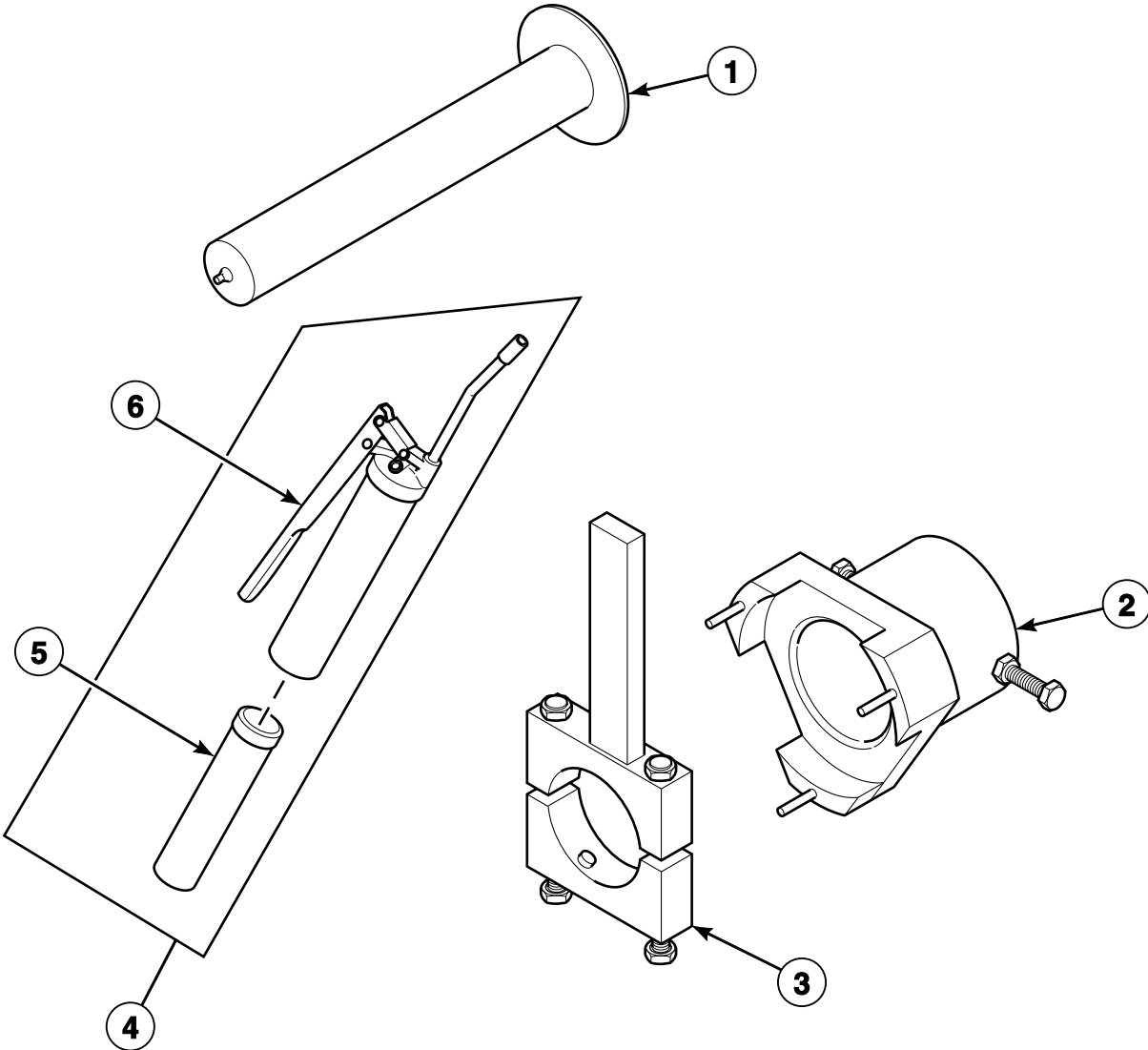


## Security Fasteners

REF	PART NO.	DESCRIPTION	COMMENTS
1	F0430275-00	Screw	No. 8; 32 x 1/2 inch; Used in place of F430956 Screw; Typical location is the side panels and module cover
	F430960	Screw	No. 10; 32 x 3/8 inch; Used in place of F430904 Screw; Typical location is the module to the shell
	F704906	Hex Bit	
2	F0430273-00	Screw	1/4 inch; 20 x 2-1/2 inch; Used in place of F430996 Screw; Typical location is the door box to the bracket
	F0430272-00	Screw	1/4 inch; 20 x 1-1/2 inch; Used in place of F430921 Screw; Typical location is the side panel to the bracket
	F0430274-00	Screw	1/4 inch; 20 x 1/2 inch; Used in place of F430925 Screw; Typical location is the drive box or the cover
	F704907	Spanner Bit	
3	F432260	Screw	1/4 inch; 20 x 2-1/2 inch; Used in place of F430996 Screw; Typical location is the door box to the bracket
	N/A	Phillips Bit	
4	N/A	Screw	1/4 inch; 20 x 1/2 inch; Used in place of F430925 Screw; Typical location is the drive box or cover
	N/A	Hex Bit	
5	F432259	Screw	No. 8; 32 x 1/2 inch; Used in place of F430956 Screw; Typical location is the side panels and module cover
	281P4	Torx Bit	

**N/A = Part no longer available**

# Special Tools



PHM2640P\_F232211

## Special Tools

REF	PART NO.	DESCRIPTION	COMMENTS
	F730055-2	Mounting Bolt Kit	
	F601862P	Rebar Frame Template	
	F798773	Rebar Frame Kit	
	F370851P	HIM Drive	Used with Allen-Bradley 160-series A and B inverter drives
	F798751	HIM Drive	Used with Allen-Bradley 160-series A, B and C inverter drives
	1113P	Concrete Hardware Kit	
<b>1</b>	F633431	Alignment Shaft Assembly	
<b>2</b>	F200293500	Seal Alignment Tool Assembly	
	F0100315-00	Shaft Seal Alignment Fixture	
<b>3</b>	N/A	Bearing Removal Tool	
<b>4</b>	F798700	Grease Gun Kit	Includes items 5 and 6
<b>5</b>	F210206P	Bearing Grease	
<b>6</b>	F210207P	Grease Gun	

**N/A = Part no longer available**



# Parts Index

## A

AC Drive Box Assembly F634811 .....	41
AC Drive Radio Filter Assembly F200320900 .....	41
Air Trap Hose F200163 .....	17
Alignment Shaft Assembly F633431 .....	49

## B

Balance Switch Bracket F601750 .....	37
Basket Assembly F603686 .....	27
Basket Pulley F150268 .....	39
Basket Pulley Bushing F280294P .....	39
Bearing Grease F210206P .....	49
Before Power Is Connected Tag F230501 .....	7
Belt F200140400P .....	39
Belt Inspection Port Cover F200188300 .....	19
Bushing F421400 .....	43

## C

Cage Wrap Assembly F635725 .....	19
Chemical Supply Cup F150385 .....	29
F150386 .....	29
Chemical Supply Hose F150487 .....	29
Circuit Breaker F350210 .....	13
Clockwise Spin Rotation Decal F230652 .....	7
Coil F380900 .....	31
F8514601 .....	43, 45
F8514701 .....	43
Cold Water Valve Decal F231368 .....	7
Computer Cover F606826 .....	9
Concrete Hardware Kit 1113P .....	49
Conductor Decal F231146 .....	7

Connector F140305 .....	15
Contact Base F8538101 .....	9
Contact Block Switch F200299500 .....	9
F340445 .....	9
Contact Mounting Base F200233401 .....	9
Contact Switch F8069501 .....	9
Contacto F330178P .....	11
Control Module Cover F634558 .....	9
Control Module Decal F231417 .....	9
Control Module Sub-Assembly FUW100VV-MDL .....	9
Control Transformer Cover F140425 .....	37

## D

Diaphragm and Guide Kit G582P3 .....	31
DIN Coil F380986P .....	33, 43
F380987P .....	43, 45
DIN Harness Assembly F141901P .....	33
DIN Valve Adapter Kit F8382301 .....	43, 45
DIN Valve Kit F8521601 .....	43
F8521801 .....	43
F8522001 .....	45
Disconnect Power Warning Label 505281 .....	7, 9
Dispenser Assembly F0150512-00P .....	29
Dispenser Lid F0150514-00 .....	29
Dispenser Shroud Weldment F8024303 .....	29
Do Not Push Decal F230302 .....	7, 19
Door Box F634415 .....	25
Door Box Assembly F634822-1 .....	23, 25
Door Box Plate Assembly F634693 .....	23
Door Bumper Bushing F430416 .....	23
Door Bumper Moulding F150366 .....	23
Door Butt F150233 .....	21, 23

N/A items do not appear in index.

Door Butt Shim F601948 .....	23
Door Gasket F8434801 .....	21
Door Glass Gasket F170115 .....	21
Door Glass Retainer F8504901 .....	21
Door Handle F634416 .....	21
Door Handle Casting F150203 .....	23
Door Hinge Pin F432307 .....	23
Door Latch Bracket Shim F602058 .....	23
Door Lock Solenoid F300129P .....	25
Drain Hose F0150399-01 .....	35
F0150399-02 .....	35
F200165100 .....	35
Drain Valve Cover F200133600 .....	35
Drain Valve Kit F200166402 .....	35
Drip Rail F150364 .....	27
Drive Motor Pulley F280289P .....	39

## E

Elbow F421107 .....	45
F422917 .....	35
Emergency Stop Button Kit F200233700P .....	9
Emergency Stop Decal F231083 .....	9
Emergency Stop Pushbutton F200233500 .....	9
Extension Arm Tab F601639 .....	23
Extension Arm Weldment F8022301 .....	23
External Supply Box Cover F633435 .....	9
External Supply Caution Decal F231345-4 .....	13
External Supply Connection Decal F230764-6 .....	7, 17
External Supply Control Decal F230606 .....	17
External Supply Fuse Decal F231271 .....	17
Extrusion Insert F150397 .....	19

## F

Face Seal F010030901P .....	27, 39
Filter F200318900P .....	41
Filter Retainer Guard F220900 .....	41
Frame Assembly F634713 .....	27
Front Bearing Kit F798835-00 .....	39
Front Panel F635718 .....	19
Fuse F350108 .....	11
F350109 .....	11
F350110 .....	11, 17
F350115 .....	17
F350145 .....	17
Fuse Holder F0350312-10 .....	17

## G

Gasket F170158P .....	41
F170402P .....	41
Gate Valve F380500 .....	33
Glass F290210P .....	21
Grease Gun F210207P .....	49
Grease Gun Kit F798700 .....	49
Ground Decal F230630 .....	15
Ground Terminal Lug F140734 .....	15

## H

Hex Bit F704906 .....	47
HIM Drive F370851P .....	49
F798751 .....	49
Hose F0634710-02 .....	33
F0634710-03 .....	33
Hose Adapter F421968 .....	33
Hose Barb F421929 .....	27
F421952 .....	33
F421964 .....	33
Hose Clamp F200201 .....	35
F200204 .....	33
F200206 .....	27

N/A items do not appear in index.

F200213	29
F200220	35
F200222	17
36801	31
Hose Connector	
F200302	31
Hose Strap	
F605324	19
Hot Surface Warning Decal	
F200085000	7
F231380	7
Hot Water Valve Decal	
F231367	7

## I

Injection Nozzle	
F8322001	29
Injection Nozzle Kit	
F730168	29
Input Power Block	
F140747	15
Input Power Connector Decal	
F230677	15
Insulator Bushing	
F140909	15, 17
Inverter Drive	
F370818	41
F370838	41

## K

Key	
F602257	39
Keypad	
F370576P	9

## L

Light	
F350412	13
Lower Door Latch Bracket Casting	
F150202	23
Lower Door Latch Casting	
F150204	23

## M

Magnet	
F8390801	21
Magnetic Switch Assembly	
F200321200	25
Main Drive Kit	
F380918	35
Manual Bearing Greasing Retrofit Kit	
F745401	39
Microswitch	
F340906	25, 37

Momentary Switch	
F340412	9
Motor	
F220237P	39
Motor Bushing	
F280242	39
Mounting Bolt Kit	
F730055-2	49
Muffin Fan	
F110105	41
F110106	41

## N

Nipple	
F0420732-00	45
F420729	45
F420731	45
F421919	35
F421947	33
F421965	33
Nut	
F0431807-00	19
F430205	27, 37, 39, 41
F430211	19, 27, 39, 43
F430213	17
F430215	19, 23, 37, 41, 43
F430231	9, 15, 21, 23, 25, 41
F430264	19
F431000	9
F431005	41
F431017	15
F431022	11, 13, 15, 17
F431042	29
F431043	23
F431800	17
F432212	41
F8549401	21, 23
H88412101	37
70142	27
802292	29

## O

O-Ring	
F170208	29
F170215	29
Output Board VCMP Assembly	
F8206501P	11
Overflow Hose	
F0150488-00	35

## P

Personal Injury Warning Decal	
F231065	7
Pin	
F430415	19
Pipe	
F0602365-07	35
F0602365-10	35
F0602365-11	35

N/A items do not appear in index.

F0602365-14.....	35
F0602365-15.....	35
F0602365-20.....	35
Pipe Insulation	
F410300.....	45
Pipe Nipple	
70214101.....	43
Plate Assembly	
F632290.....	41
Plug	
F140527.....	15
F420408.....	45
F420409.....	43
Plug Cap	
F190304.....	29
Pop Rivet	
F431217.....	27

## R

RC Network Filter	
F330217P.....	9, 11, 25
Rear Bearing Kit	
F745004.....	39
Rear Panel	
F200188100.....	19
Rebar Frame Kit	
F798773.....	49
Rebar Frame Template	
F601862P.....	49
Resistor	
F370117.....	17
Retaining Ring	
F310215.....	23
Rub Rail	
F150410.....	19

## S

Sandwich Mount	
F432217.....	41
Screw	
F0430272-00.....	47
F0430273-00.....	47
F0430274-00.....	47
F0430275-00.....	47
F430103.....	23
F430107.....	37, 41
F430124.....	37
F430168.....	23
F430500.....	27, 39
F430910.....	17
F430913.....	27, 43
F430916.....	13, 15, 21, 23, 41
F430917.....	17, 29
F430920.....	15, 41
F430921.....	19
F430925.....	41
F430927.....	23
F430928.....	11, 25
F430935.....	41
F430938.....	15
F430956.....	19

F430960.....	47
F430993.....	39
F430995.....	25
F432259.....	47
F432260.....	47
F8136401.....	9
70240301.....	9, 19
800461.....	27, 37
Scupper	
F150389.....	27
Seal Alignment Tool Assembly	
F200293500.....	49
Seal Kit	
F798833-00.....	27, 39
Shaft Seal Alignment Fixture	
F0100315-00.....	49
Shell Band Assembly	
F603630.....	27
Shell Band Gasket	
F170120RP.....	27
Shell Bracket Support	
F601951.....	27
Shell Front Assembly	
F634691.....	27
Shell Front Weldment	
F8136001P.....	27
Shell Gasket Shield	
F601216.....	27
Shell Plate Assembly	
F604051.....	27
Shell Weldment	
F0634860-02.....	27
Side Panel	
F635713.....	19
Side Panel Bracket	
F601982.....	19
Side Panel Cover	
F634430.....	19
Slinger	
F100205.....	27, 39
Spacer	
F431911.....	17
Spanner Bit	
F704907.....	47
Standoff	
F180506.....	11
Steam Bracket Weldment	
F635634.....	45
Steam Filter	
F270307.....	43
F270308.....	45
Steam Hose	
F0200231-00.....	45
F200153P.....	43
Steam Injector Tube Assembly	
F603132.....	43, 45
Steam Valve	
F8322904P.....	45
Steam Valve Repair Kit	
F380984P.....	43
Strain Relief Adapter Kit	
F749802.....	29
Strain Relief Connector	
F140224.....	41

N/A items do not appear in index.



F140329 .....	15
F140331 .....	41
F140340P .....	29
<b>Strainer</b>	
F270200 .....	31
<b>Street Elbow</b>	
F420500 .....	43
F421707 .....	45
F422304 .....	33
F422336 .....	33
M411264 .....	45
<b>Studded Door Assembly</b>	
F634678 .....	21
<b>Supply Dispenser Hazard Caution Decal</b>	
F231436 .....	7, 29
<b>Supply Dispenser Spacer</b>	
F0150525-00 .....	29

---

## T

<b>Tee</b>	
F422805 .....	17
<b>Temperature Probe</b>	
F370606P .....	43, 45
<b>Terminal Block</b>	
F140776 .....	17
<b>Terminal Strip</b>	
F140738 .....	13, 15
<b>Thermal Overload Decal</b>	
F231421 .....	13
<b>This Machine Must Be Protected Decal</b>	
F230301 .....	7
<b>Top Latch Bracket Casting</b>	
F150201P .....	23
<b>Torx Bit</b>	
281P4 .....	47
<b>Transformer</b>	
F200031100 .....	41
F360125P .....	37
<b>Trim</b>	
F170400RP .....	19, 29
<b>Tubing</b>	
F422404P .....	17

---

## U

<b>U-Bolt Clamp</b>	
F200401P .....	43, 45

---

## V

<b>Valve</b>	
F381727P .....	33
F8322801P .....	43
F8322802 .....	43
F8322901P .....	45
<b>Valve Kit</b>	
F8379501 .....	43, 45
<b>Valve, 4-Way</b>	
F381724P .....	31

<b>V-Series Microcomputer Board Kit</b>	
F370313-10P .....	9

---

## W

<b>Washer</b>	
F200504 .....	33
F430300 .....	39
F430312 .....	23
F430317 .....	19, 27, 41
F430322 .....	41, 43
F431100 .....	19, 21, 23
F431102 .....	41
F431108 .....	9
F431112 .....	27, 39
F431113 .....	11, 13, 15, 17
F431116 .....	27
F431118 .....	23
F431123 .....	9
F431125 .....	9
F431133 .....	29
F8195301 .....	29
M400013 .....	27
M400014 .....	27, 37, 39, 41
M400081 .....	27, 37, 39
<b>Water Hose</b>	
F200107P .....	27
F200110P .....	31
F200187 .....	33
<b>Water Level Switch</b>	
F340308P .....	17
F340309P .....	17
<b>Water Level Switch Bracket</b>	
F630242 .....	17

---

## Y

<b>Y Connector</b>	
F422816 .....	31

N/A items do not appear in index.

