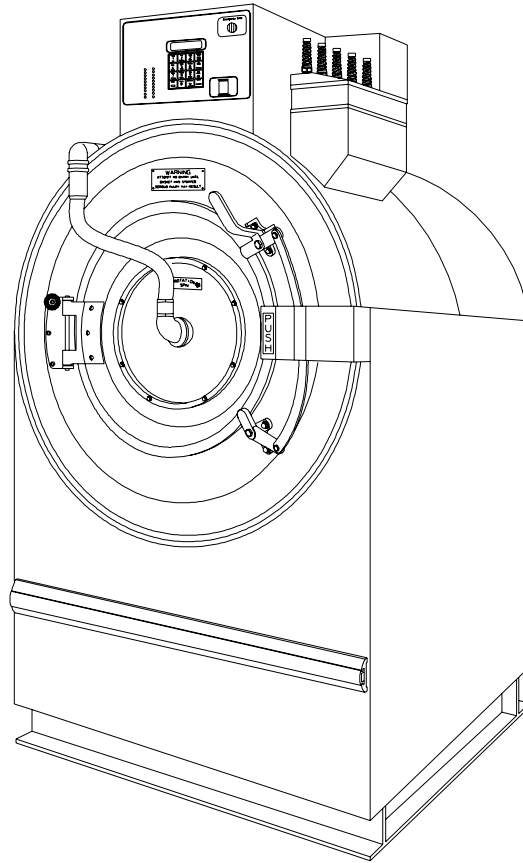


Washer-Extractor

Pocket Hardmount

UW35

2 Speed, 3 Speed and 4 Speed



P005C_F232116

Table of Contents

Title	Page
Parts Ordering Information.....	2
Serial Plate Location	2
Model Identification	3
Pocket Hardmount Washer-Extractor Product Overview	4
Decals	6
Control Module - UW35P Models (Drawing 1 of 2).....	8
Control Module - UW35P Models (Drawing 2 of 2).....	10
Control Module - UW35S Models (Drawing 1 of 2).....	12
Control Module - UW35S Models (Drawing 2 of 2).....	14
Control Module - UW35M Models (Drawing 1 of 2)	16
Control Module - UW35M Models (Drawing 2 of 2)	18
Water Supply Valve and Hoses to Supply Dispenser - Mueller Valves	20
Water Supply Valve and Hoses to Supply Dispenser - Elbi Valves	22
Supply Dispenser.....	24
Spray and Fill Plumbing - Hays Valves	26
Spray Plumbing - Parker Valves	28
Fill Plumbing - Parker Valves	30
Vacuum Breaker Assembly with Leak Containment Kit.....	32
Drain Valve and Hoses	34
Basket and Shell	36
Door and Spray Rinse.....	38
Dual Door Box.....	40
Single Door Box	42
Cabinet.....	44
Frame.....	46
Pulley and 2 and 3 Speed Trunnion Assembly	48
Bearings and Seal - Model UW35P4	50
Balance Switch - UW35P4 Models	52
Motor - 2 Speed Models.....	54
Motor - 3 Speed Models.....	56
Motor - Model UW35P4	58
Steam Heat Option - Model UW35P4	60
Steam Heat Option - 3 Speed Models	62
Electric Heat Option	64
Security Fasteners	66
Special Tools	68
Parts Index.....	71

© Copyright 2015, Alliance Laundry Systems LLC

All rights reserved. No part of the contents of this book may be reproduced or transmitted in any form or by any means without the expressed written consent of the publisher.

Parts Ordering Information

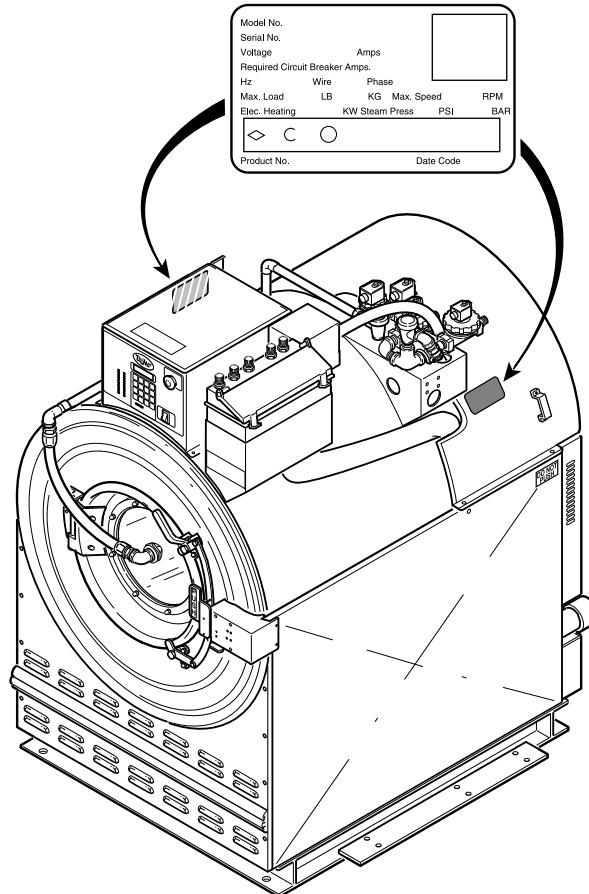
If literature or replacement parts are required, contact the source from whom the machine was purchased or contact Alliance Laundry Systems at (920) 748-3950 for the name and address of the nearest authorized parts distributor.

For technical assistance, call either of the numbers listed below:

(920) 748-3121 Ripon, Wisconsin
+32 56 41 20 54 Wevelgem, Belgium

Serial Plate Location

When calling or writing about your product, be sure to mention model and serial numbers. Model and serial numbers are located on serial plate(s) as shown.



PHM2506P_F232116

Model Identification

Information in this manual is applicable to these washer-extractor models:

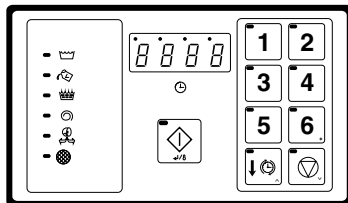
UW35M2
UW35M3
UW35P2
UW35P3
UW35P4
UW35S2
UW35S3

NOTE: This manual applies to models with either 1, 2, 3 or 4 in the 8th position in the model number (e.g. UW35M2U10001)

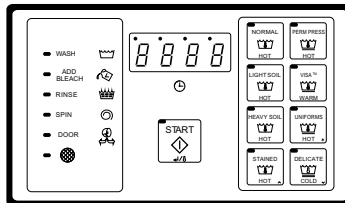
Pocket Hardmount Washer-Extractor Product Overview

Model No. UW60AMXUB0001
 Serial No. 0000000000
 Voltage 200 – 240 Amps 10
 Circuit Breaker 15 Amps
 Hz 50 – 60 Wire 2/3 Phase S 3
 Max. Load 60 LB 27 KG Max. Speed 594 RPM
 Elec. Heating N/A Steam Press. N/A PSI 0.0 BAR

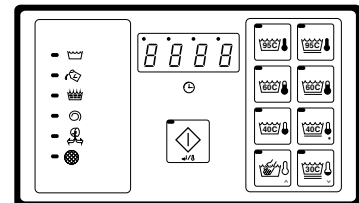
Drawings:
 ETL Listed
 Conforms To ANSI/UL Std. 1206, 3rd Ed
 Certified To CAN/CSA Std. C22.2 No.53-1968



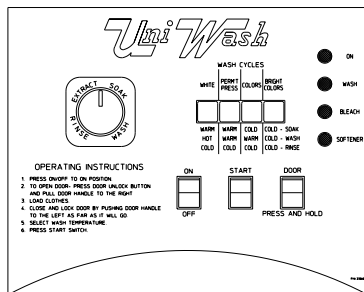
A-Control



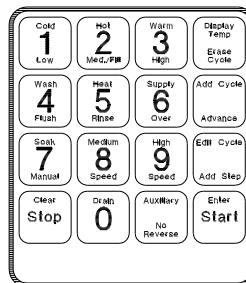
B-Control (Domestic)



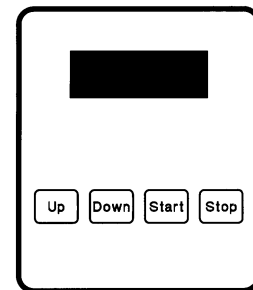
B-Control (International)



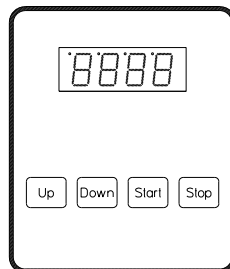
Mechanical Timer



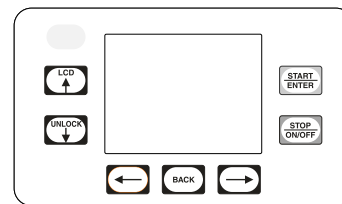
WE-6 Control



S-Computer



V-Computer



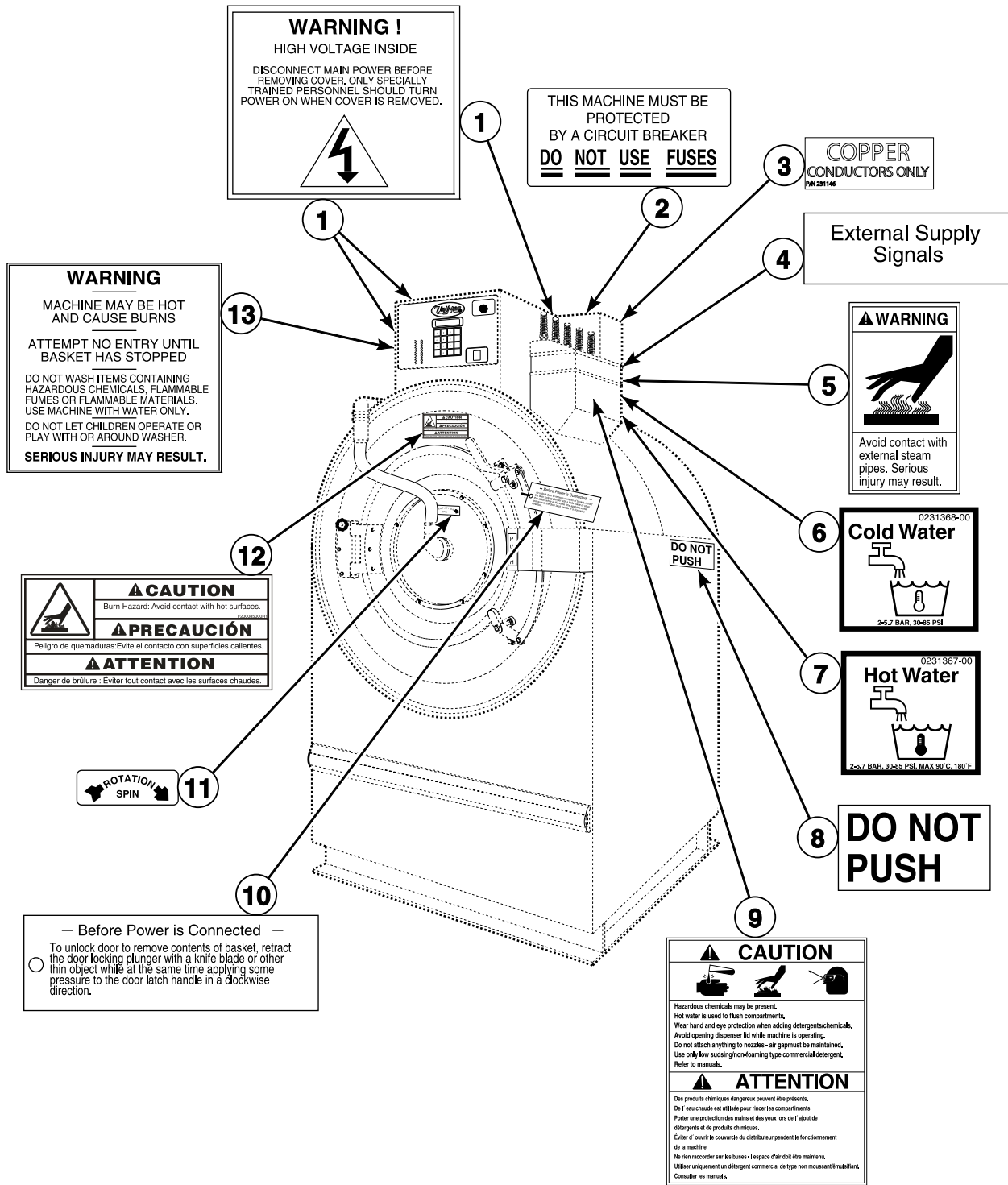
UniLinc Control

PHM2979P_F232116

Pocket Hardmount Washer-Extractor Product Overview

REF	PART NO.	DESCRIPTION	COMMENTS
1	-	Product Family	UW
2	-	Capacity (Pounds)	35 60 80 100 125 150
3	-	Control	A (A-Control) B (B-Control) M (Mechanical Timer) P (WE-6 Control) S (S-Computer) V (V-Computer) T (UniLinc Control)
4	-	Speed	2 (2-Speed) 3 (3-Speed) 4 (4-Speed) V (Variable-Speed)
5	-	Voltage	F (440-480/60/3/3) N (440-480/50-60/3/3) O (208-240/60/3/3) P (380-415/60-60/3/3) Q (200-208/220-240/50/60/3ph) R (380-415/440-480/50/60/3ph) X (200-220/220-240/50/60/1-3) Y (208-240/60/1/2)
6	-	OEM	U (Standard Specs)
7	-	Design Series	1-8

Decals

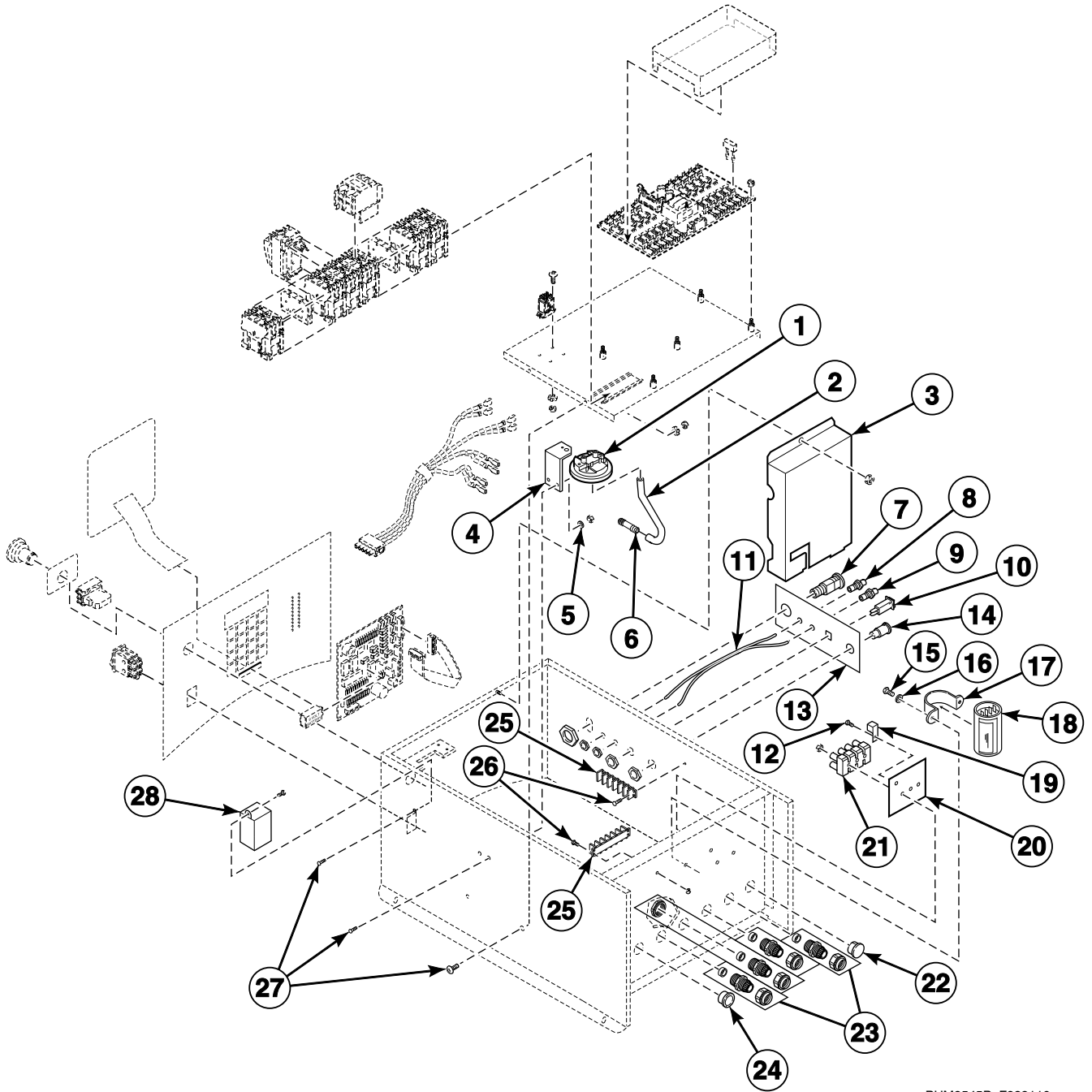


PHM2892P_F232116

Decals

REF	PART NO.	DESCRIPTION	COMMENTS
1	505281	Disconnect Power Warning Label	
2	F230301	This Machine Must Be Protected Decal	
3	F231146	Conductor Decal	
4	F230917-1	External Supply Connection Decal	
5	F231380	Hot Surface Warning Decal	
6	F231368	Cold Water Valve Decal	
7	F231367	Hot Water Valve Decal	
8	F230302	Do Not Push Decal	
9	F231436	Supply Dispenser Hazard Caution Decal	
10	F230501	Before Power Is Connected Tag	
11	F230652	Clockwise Spin Rotation Decal	
12	F200085000	Hot Surface Warning Decal	
13	F231065	Personal Injury Warning Decal	

Control Module - UW35P Models (Drawing 1 of 2)



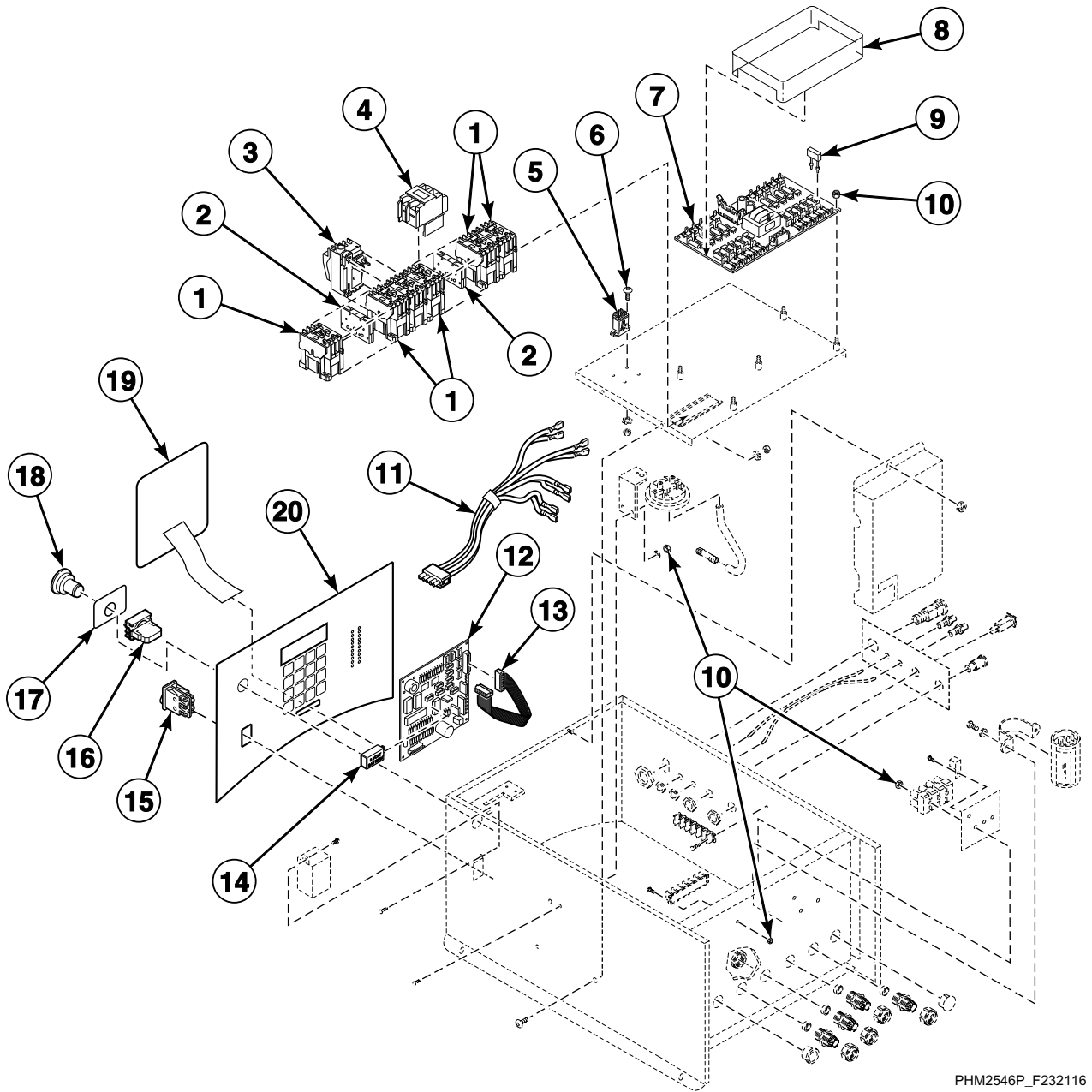
PHM2545P_F232116

Control Module - UW35P Models (Drawing 1 of 2)

REF	PART NO.	DESCRIPTION	COMMENTS
1	F0340345-10P	Water Level Switch	
2	F422404P	Tubing	
3	F606826	Computer Cover	
4	F630242	Water Level Switch Bracket	
5	F431113	Washer	
6	F422500	Connector	
7	F340800P	Keymode Run/Program Switch	
	F370709	Program Key	A153
8	F140575P	Connector	Gray
9	F140576P	Connector	Blue
10	F350210	Circuit Breaker	2 Amp
11	F604713	Cable Assembly	
12	F430903	Screw	
13	N/A	Switch Mode Decal	
14	F350412	Light	Red; 120 VAC
	F350414	Light	Red; 220 VAC
15	F430916	Screw	1 Phase
16	F430311	Washer	1 Phase
17	F340704	Motor Switch Bracket	1 Phase
18	F340001	Motor Switch	1 Phase; Use with Century motors only
	F340002	Motor Switch	1 Phase; Use with Elmo motors only
19	F140734	Ground Terminal Lug	
20	F230677	Input Power Connector Decal	
21	F140746	Input Power Block	
22	F140527	Plug	
23	F140309	Connector	
24	F140909	Insulator Bushing	
25	F140738	Terminal Strip	
26	F430995	Screw	
27	F430928	Screw	
28	F300203P	Buzzer	120 Volt
	N/A	Buzzer	220 Volt

N/A = Part no longer available

Control Module - UW35P Models (Drawing 2 of 2)



PHM2546P_F232116

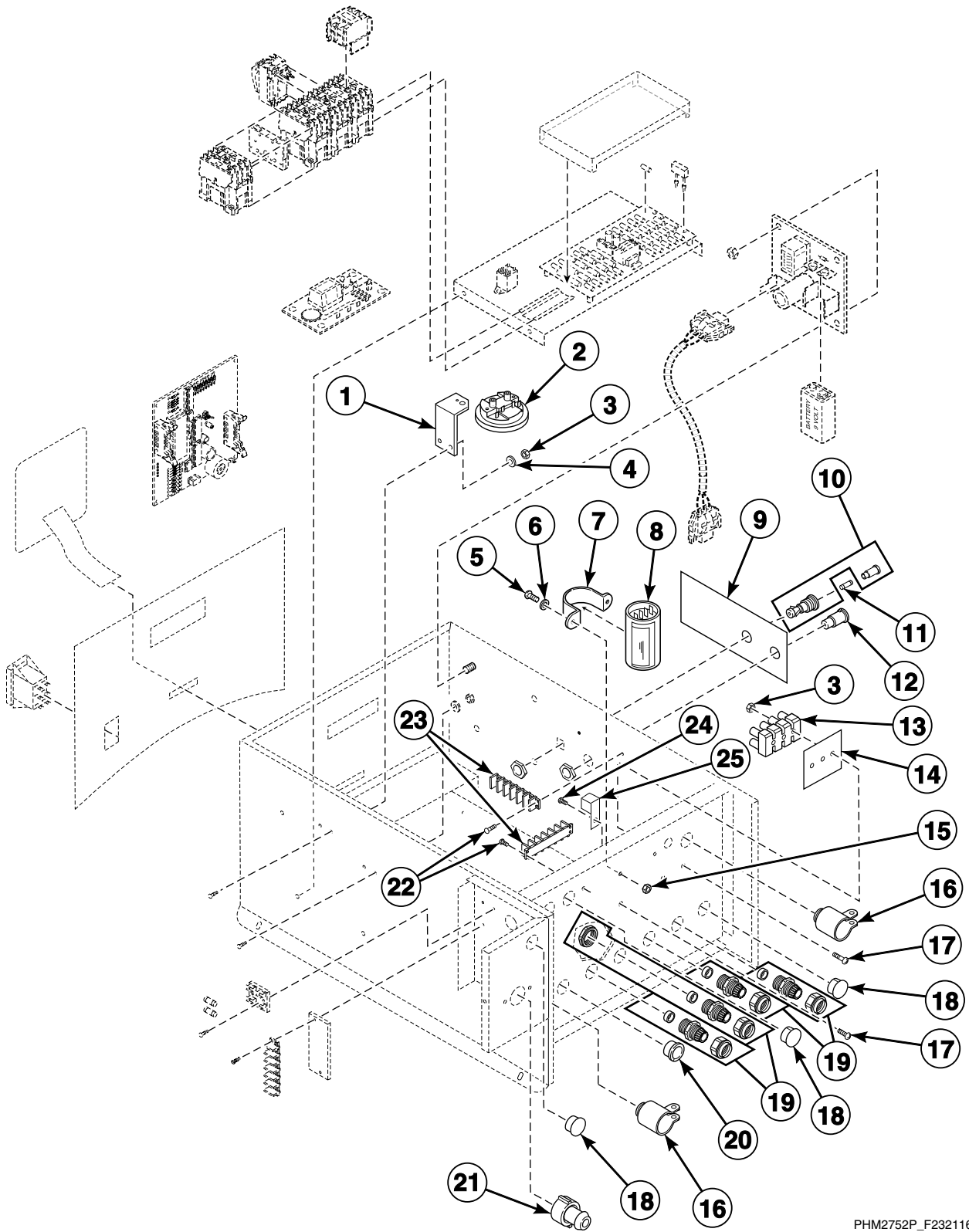
Control Module - UW35P Models (Drawing 2 of 2)

REF	PART NO.	DESCRIPTION	COMMENTS
1	F330175P	Contactora	120 Volt; C16; See note
	F330178P	Contactora	120 Volt; C23; See note
	F330177P	Contactora	220 Volt; C16; See note
	F330179P	Contactora	220 Volt; C23; See note
2	F330186P	Interlock Contactora	100-NCA-00; See note
3	F8344101P	Overload Contactora	1 Phase; 193-TAC-16; See note
4	F330185P	Auxiliary Contactora	100-FA11; See note
5	F330227	Flange Relay	120 Volt
	F330230	Flange Relay	220 Volt
6	F0430165-00	Screw	
7	F0370444-10P	Output CCA	120 Volt
	F8321901P	Output CCA	220 Volt
	F350108	Fuse	1/8 Amp
	F350109	Fuse	1/2 Amp
	F350110	Fuse	1 Amp
8	N/A	Dust Cover	
9	F330217P	RC Network Filter	Includes F140627 Connector and F141022 Connector
10	F431022	Nut	
11	F141870P	Harness Kit	Replaces old style terminal block and ribbon cable; Connects WE-6 computer to components
12	F370534-00P	WE-6 Computer	
13	F140219P	Ribbon Cable	26 pin; 15 inch; Connects WE-6 computer to output cca
14	F191101	Battery	9 Volt
15	F340412	Momentary Switch	
16	F8069501	Contact Switch	
	F8538101	Contact Base	
	F340445	Contact Block Switch	800E-series; Includes F200299500 Contact Block Switch
	F200299500	Contact Block Switch	800E-series
	F200233401P	Contact Block Switch	800F-series; Includes F8069501 Contact Switch and F8538101 Contact Base
17	F231083	Emergency Stop Decal	
18	N/A	Emergency Stop Pushbutton	800E-series; Order F200233700P Emergency Stop Button Kit
	F200233700P	Emergency Stop Button Kit	Used to convert from 800E-series to 800F-series; Includes F200233500 Emergency Stop Pushbutton and F200233401 Contact Block Switch
	F200233500	Emergency Stop Pushbutton	800F-series
19	F230724P	Keypad Decal	
20	F230721	Control Module Decal	

N/A = Part no longer available

NOTE: On 1 Phase models, when replacing the old style spin contactora, the contactora overload and auxiliary contactora must also be replaced.

Control Module - UW35S Models (Drawing 1 of 2)

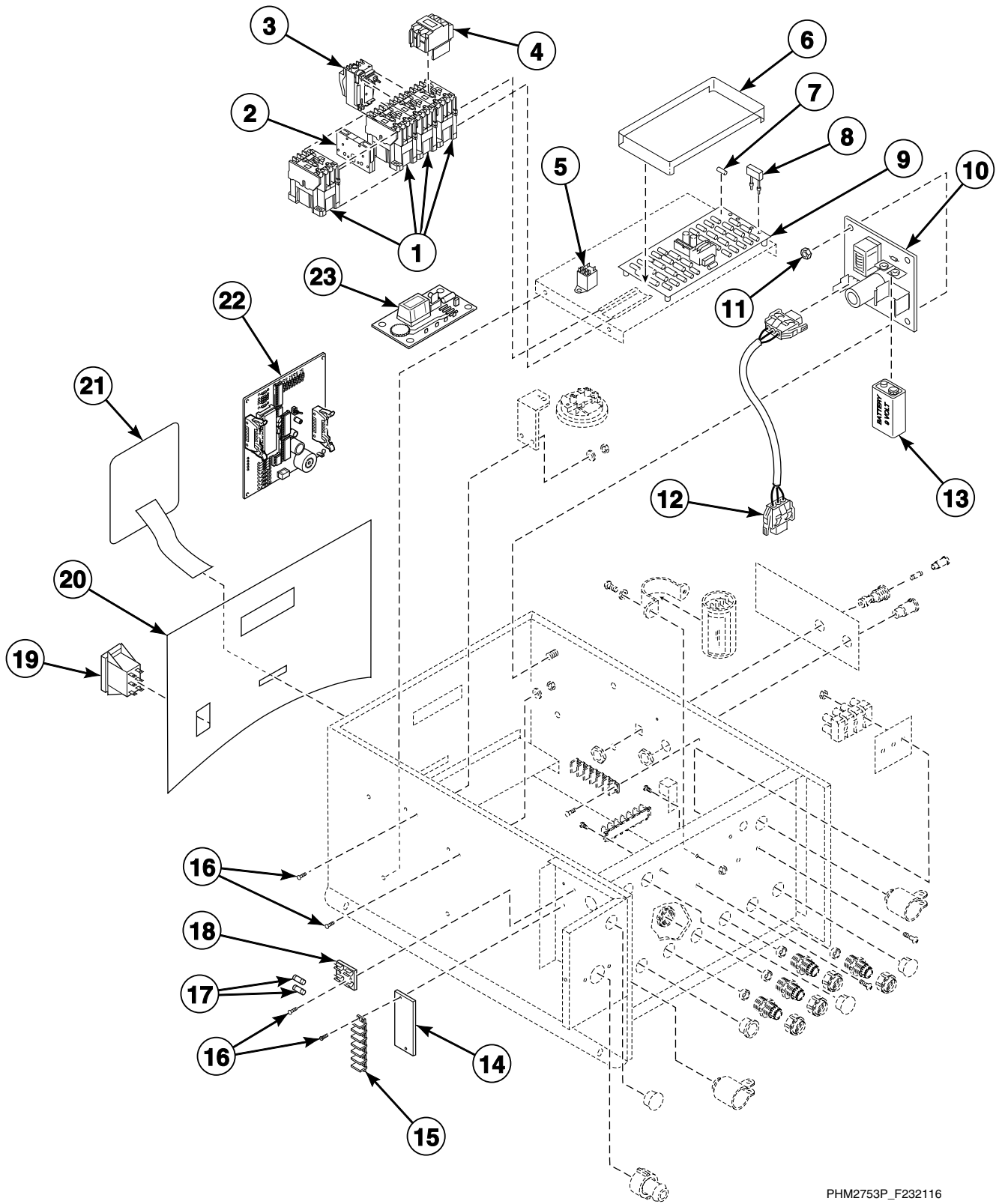


PHM2752P_F232116

Control Module - UW35S Models (Drawing 1 of 2)

REF	PART NO.	DESCRIPTION	COMMENTS
1	F630242	Water Level Switch Bracket	
2	F0340345-10P	Water Level Switch	
3	F431022	Nut	
4	F431113	Washer	
5	F430916	Screw	1 Phase
6	F430311	Washer	1 Phase
7	F340704	Motor Switch Bracket	1 Phase
8	F340001	Motor Switch	1 Phase; Use with Century motors only
	F340002	Motor Switch	1 Phase; Use with Elmo motors only
9	F230678	Keymode Decal	
10	F350304P	Fuse Holder	
11	F350104	Fuse	2 Amp; Fast blo
12	F350412	Light	120 Volt; Red
	F350404	Signal Light	220 Volt; Red
13	F140746	Input Power Block	
14	F230677	Input Power Connector Decal	
15	F430231	Nut	1 Phase
16	F140311	Squeeze Connector	
17	F430916	Screw	
18	F140527	Plug	
19	F140309	Connector	
20	F140909	Insulator Bushing	
21	F200302	Hose Connector	
22	F430995	Screw	
23	F140738	Terminal Strip	
24	F430903	Screw	
25	F140734	Ground Terminal Lug	

Control Module - UW35S Models (Drawing 2 of 2)



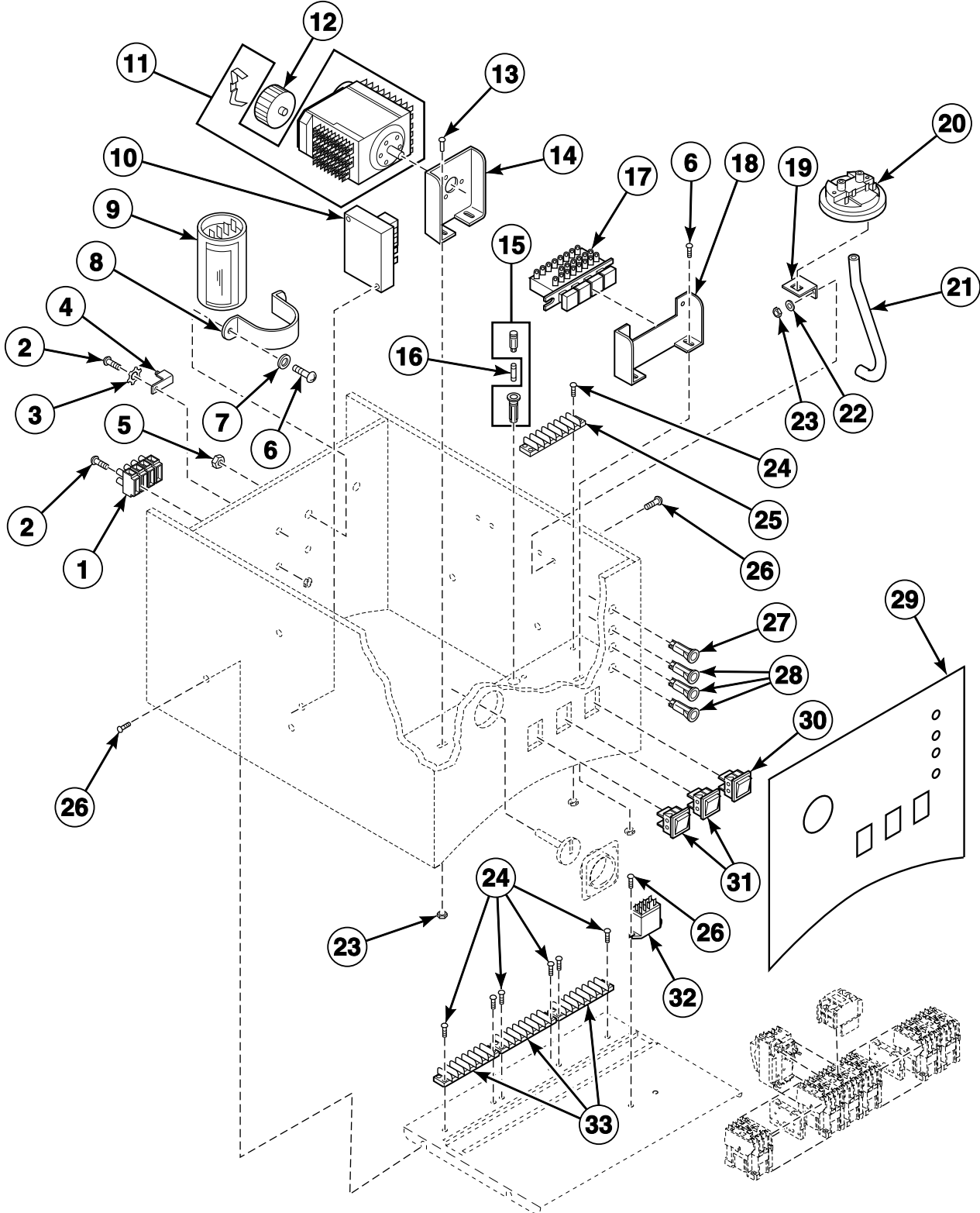
PHM2753P_F232116

Control Module - UW35S Models (Drawing 2 of 2)

REF	PART NO.	DESCRIPTION	COMMENTS
1	F330175P	Contactors	120 Volt; C16; See note
	F330178P	Contactors	120 Volt; C23; See note
	F330177P	Contactors	220 Volt; C16; See note
	F330179P	Contactors	220 Volt; C23; See note
2	F330186P	Interlock Contactors	100-MCA-00; See note
3	F8344101P	Overload Contactors	1 Phase; 193-TAC-16; See note
4	F330185P	Auxiliary Contactors	100-FA11; See note
5	F330227	Flange Relay	120 Volt
	F330230	Flange Relay	220 Volt
6	F140423	Cover	
7	F350110	Fuse	1 Amp; Slo
	F350109	Fuse	1/2 Amp; Fast
	F350108	Fuse	1/8 Amp; Slo
8	F330217P	RC Network Filter	Includes F140627 Connector and F141022 Connector
9	F370449P	Output Board CCA	120 Volt
	F370450P	Output Board CCA	220 Volt
10	F370529P	Battery Adapter Board	
11	F430231	Nut	
12	F140249	Battery Backup Wire Harness	3 pin
13	F191101	Battery	
14	F230764-7	External Supply Connection Decal	
15	F140738	Terminal Strip	
16	F430928	Screw	
17	F350115	Fuse	3 Amp; Fast
18	F0350312-10	Fuse Holder	
19	F340412	Momentary Switch	
20	F230795	Control Module Decal	
21	F370576P	Keypad	
22	F370555-00P	Computer	
	F140219P	Ribbon Cable	
23	F370437P	Relay CCA	

NOTE: On 1 Phase models, when replacing the old style spin contactor, the contactor overload and auxiliary contactor must also be replaced.

Control Module - UW35M Models (Drawing 1 of 2)



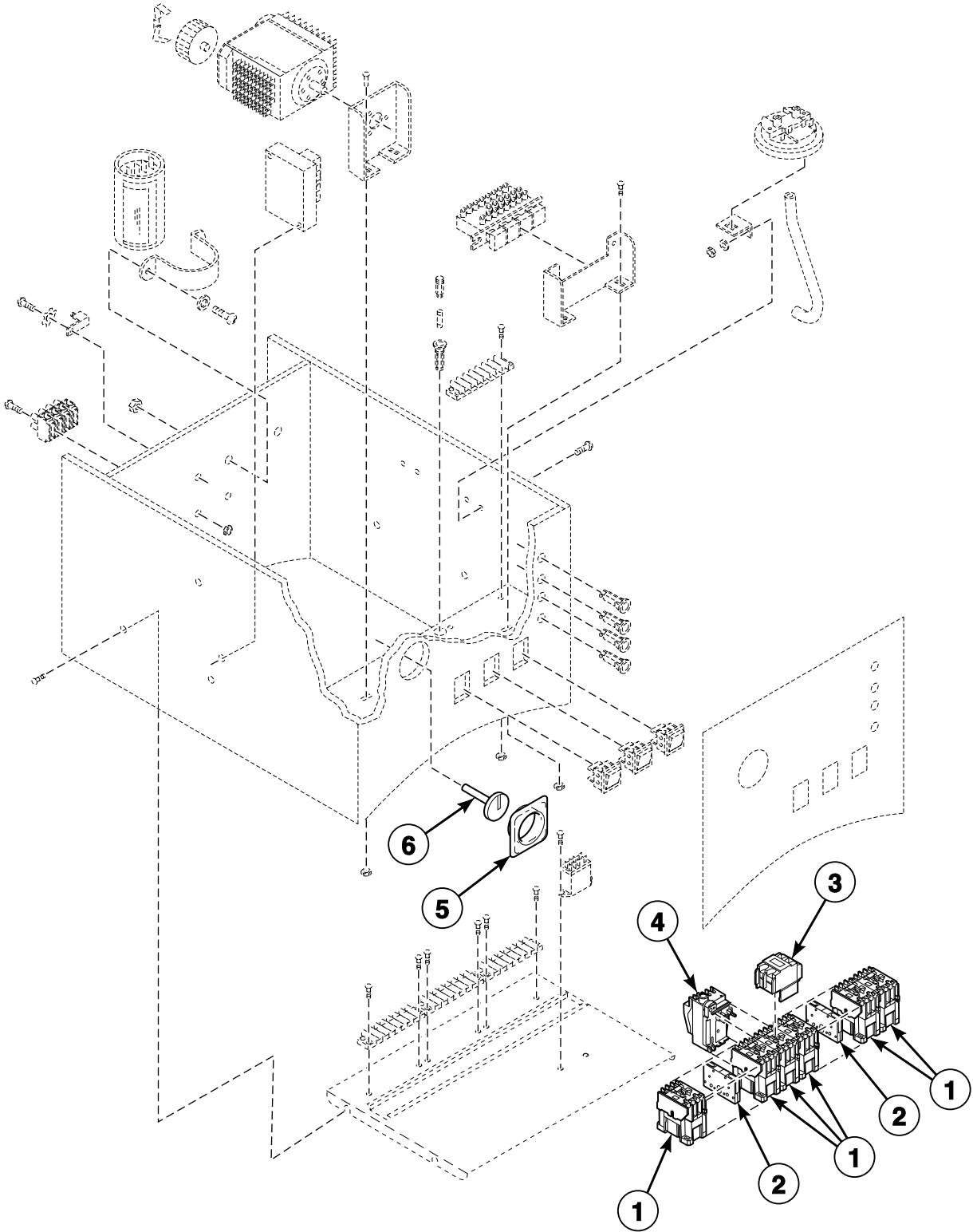
PHM2172P_F232116

Control Module - UW35M Models (Drawing 1 of 2)

REF	PART NO.	DESCRIPTION	COMMENTS
1	F140746	Input Power Block	
2	F430903	Screw	
3	F431113	Washer	
4	F140734	Ground Terminal Lug	
5	F430231	Nut	
6	F430916	Screw	1 Phase
7	F430311	Washer	1 Phase
8	F340704	Motor Switch Bracket	1 Phase
9	F340001	Motor Switch	1 Phase; Use with Century motors only
	F340002	Motor Switch	1 Phase; Use with Elmo motors only
10	F330203	Relay	Door unlock time delay; 30 second; 120 Volt
	F330235	Delay Relay	Door unlock time delay; 30 second; 220 Volt
	N/A	Delay Relay	Spin-coast time delay; 45 second; 120 Volt
	N/A	Delay Relay	Spin-coast time delay; 45 second; 240 Volt
	F370413P	Relay CCA	Spin-coast time delay; 50 second; 120 Volt
	F370414P	Relay CCA	Spin-coast time delay; 50 second; 240 Volt
	F370437P	Relay CCA	Medium-to-high spin time delay; 15 second; 120 Volt
	F370438P	Relay CCA	Medium-to-high spin time delay; 15 second; 240 Volt
11	F160301P	Cycle Timer	120 Volt
	F160304P	Cycle Timer	220 Volt
12	N/A	Motor	120 Volt
	N/A	Motor	220 Volt
13	F430928	Screw	
14	F604214	Mounting Bracket	
15	F350304P	Fuse Holder	
16	F350104	Fuse	2 Amp; Fast
17	F340413	Cycle Selector Switch	Models through 9/97
	F340442	Cycle Selector Switch	Models starting 10/97
18	F604213	Switch Mounting Bracket	
19	F630242	Water Level Switch Bracket	
20	N/A	Water Level Switch	
21	F422404P	Tubing	
22	F430311	Washer	
23	F431022	Nut	
24	F430916	Screw	
25	F140738	Terminal Strip	
26	F430922	Screw	
	F350412	Light	Red; 120 VAC
27	F350414	Light	Red; 220 VAC
	F350411	Light	Amber; 120 VAC
28	F350413	Light	Amber; 220 VAC
	F230687	Control Module Decal	
29	F340411	Rocker Switch	Red
30	F340412	Momentary Switch	White
31	F330227	Flange Relay	120 Volt
	F330230	Flange Relay	220 Volt
32	F140738	Terminal Strip	
33	F140738	Terminal Strip	

N/A = Part no longer available

Control Module - UW35M Models (Drawing 2 of 2)



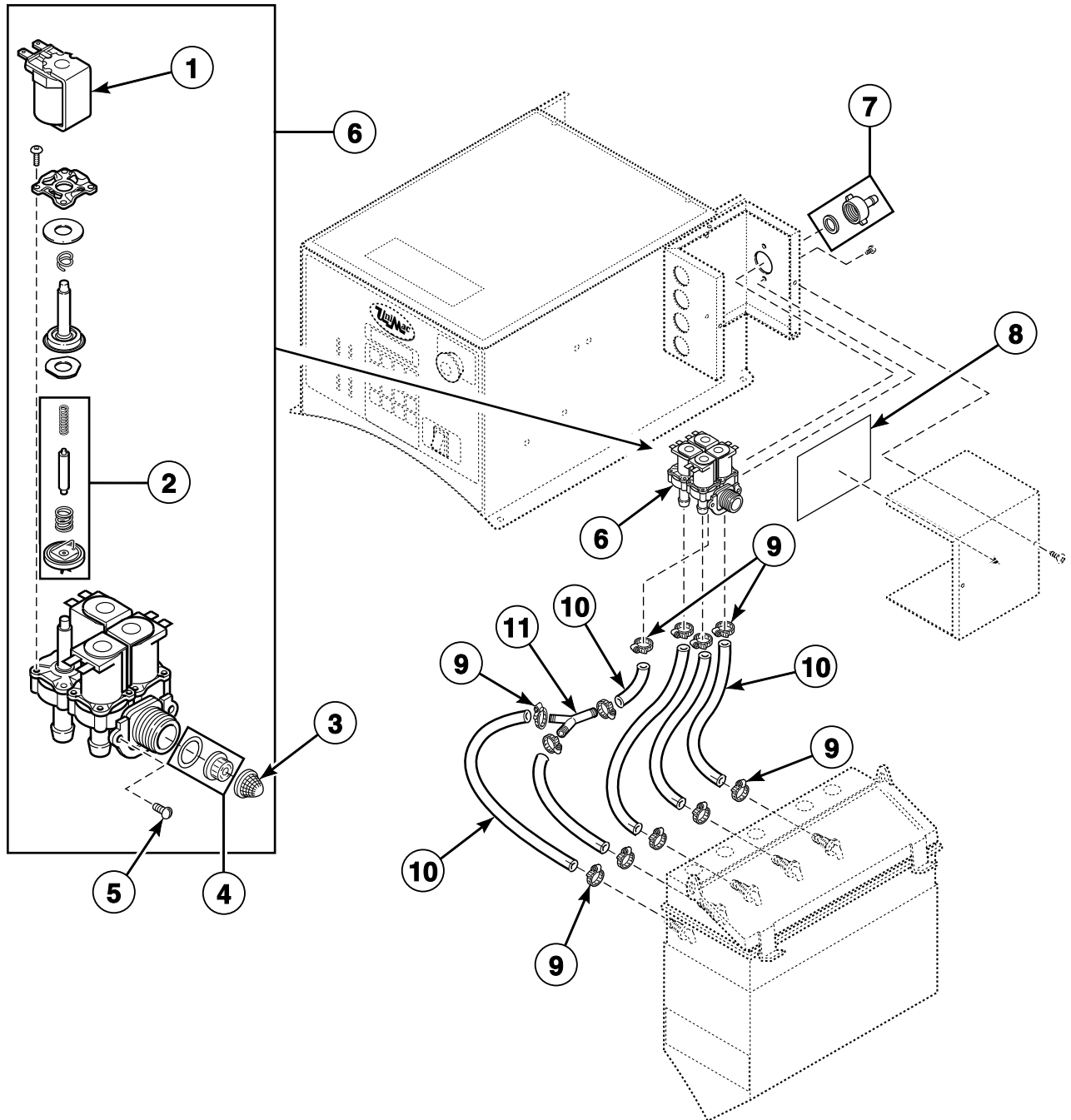
PHM2173P_F232116

Control Module - UW35M Models (Drawing 2 of 2)

REF	PART NO.	DESCRIPTION	COMMENTS
1	F330175P	Contactors	120 Volt; C16; See note
	F330178P	Contactors	120 Volt; C23; See note
	F330177P	Contactors	220 Volt; C16; See note
	F330179P	Contactors	220 Volt; C23; See note
2	F330186P	Interlock Contactors	100-NCA-00; See note
3	F330185P	Auxiliary Contactors	100-FA11
4	F8344101P	Overload Contactors	1 Phase
5	F150310	Timer Glass	
6	F150378	Timer Cycle Indicator	

NOTE: On 1 Phase models, when replacing the old style spin contactor, the contactor overload and auxiliary contactor must also be replaced.

Water Supply Valve and Hoses to Supply Dispenser - Mueller Valves



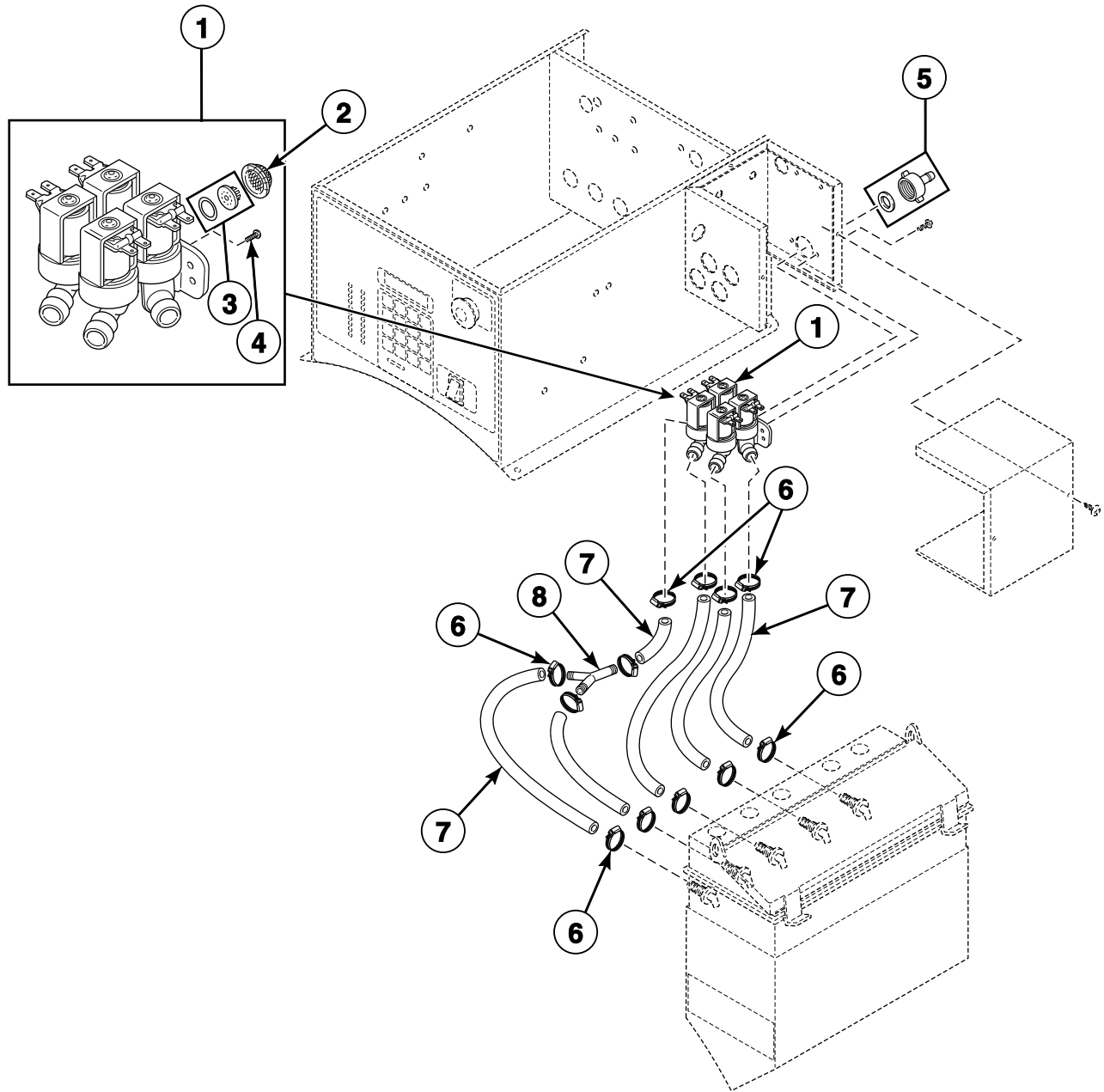
PHM2215P_F232116

Water Supply Valve and Hoses to Supply Dispenser - Mueller Valves

REF	PART NO.	DESCRIPTION	COMMENTS
1	F380900	Coil	120 Volt/50 or 60 Hertz
	F380917	Coil	220 Volt
2	N/A	Valve Repair Kit	10 mm
3	F270200	Strainer	
4	N/A	Flow Restrictor	8 liter
5	F430948	Screw	
6	F380715P	4-Way Valve	120 Volt
	F380725P	4-Way Valve	220 Volt
7	F200302	Hose Connector	
8	F230754	Water Valve Assembly Decal	
9	36801	Hose Clamp	No. 6
10	F200110P	Water Hose	
11	F422816	Y Connector	

N/A = Part no longer available

Water Supply Valve and Hoses to Supply Dispenser - Elbi Valves



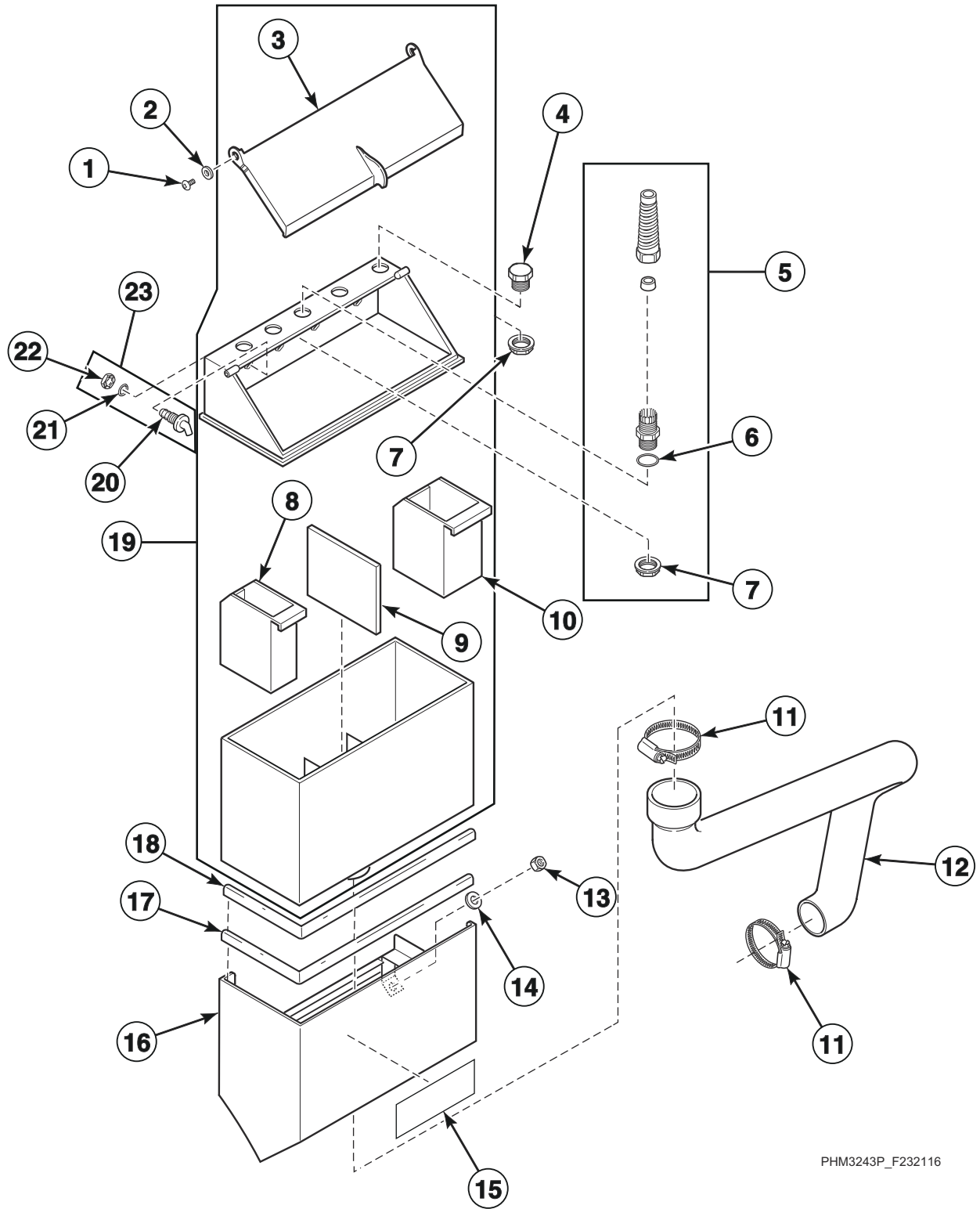
PHM2602P_F232116

Water Supply Valve and Hoses to Supply Dispenser - Elbi Valves

REF	PART NO.	DESCRIPTION	COMMENTS
1	F381724P	4-Way Valve	120 Volt
	F381723P	4-Way Valve	220 Volt
	G582P3	Diaphragm and Guide Kit	
2	F270200	Strainer	
3	N/A	Flow Restrictor	8 liter
4	F430948	Screw	
5	F200302	Hose Connector	
6	36801	Hose Clamp	No. 6
7	F200110P	Water Hose	
8	F422816	Y Connector	

N/A = Part no longer available

Supply Dispenser

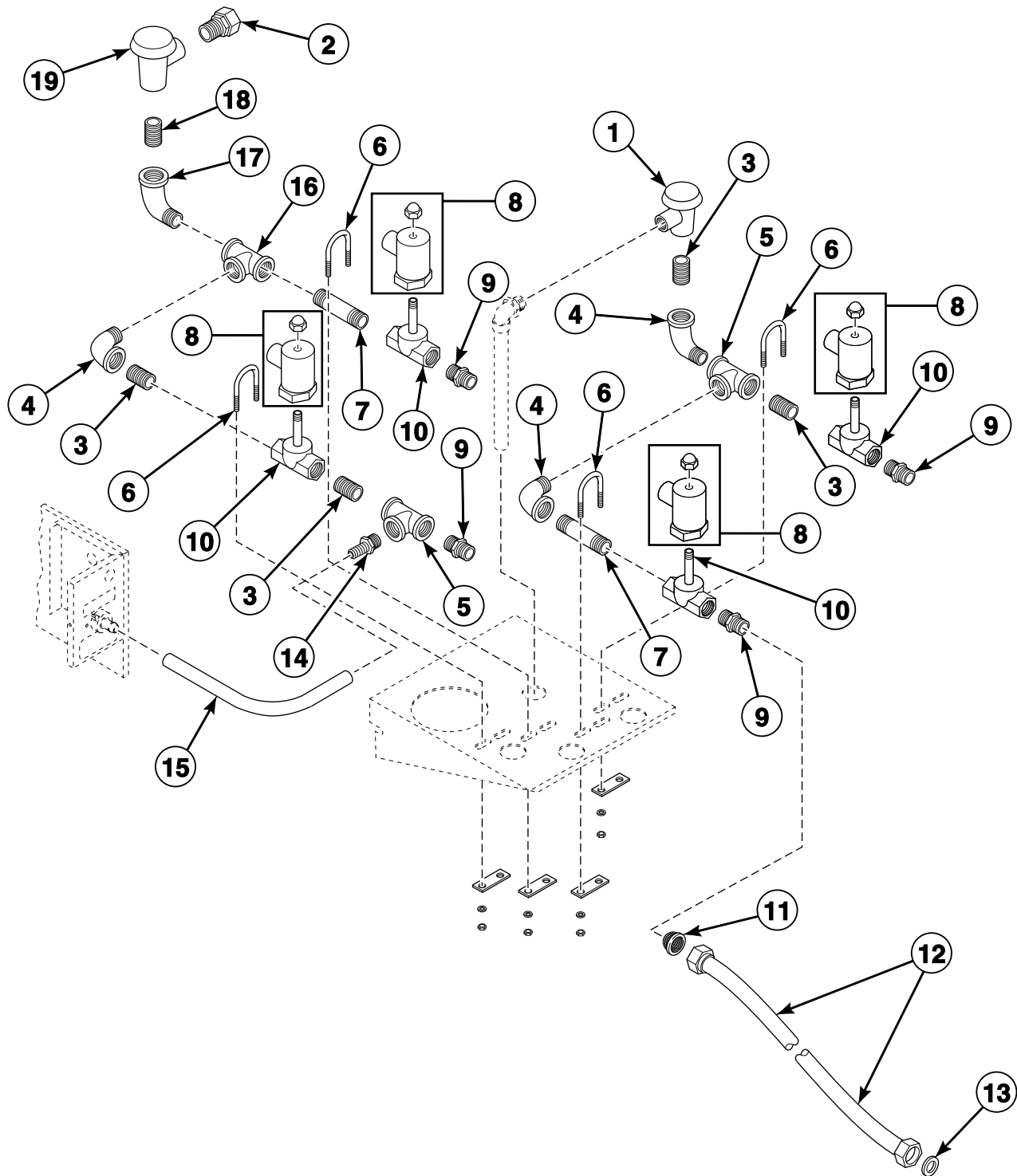


PHM3243P_F232116

Supply Dispenser

REF	PART NO.	DESCRIPTION	COMMENTS
1	F430917	Screw	
2	F8195301	Washer	
3	F0150514-00	Dispenser Lid	
4	F190304	Plug Cap	
5	F749802	Strain Relief Adapter Kit	Includes items 6 and 7
6	F170215	O-Ring	
7	F140340P	Strain Relief Connector	
8	F150385	Chemical Supply Cup	20 ounce; 3 required
9	F0150525-00	Supply Dispenser Spacer	
10	F150386	Chemical Supply Cup	32 ounce; 2 required
11	F200213	Hose Clamp	No. 40
12	F150478	Chemical Supply Hose	
13	F431042	Nut	Loctite 262 required for installation
14	F431147	Washer	
15	F231436	Supply Dispenser Hazard Caution Decal	
16	F8024302	Soap Dispenser Shroud Weldment	
17	F170158P	Gasket	
18	F170400RP	Trim	
19	F0150512-00P	Dispenser Assembly	Includes items 3 and 8-10
20	F8322001	Injection Nozzle	
21	F170208	O-Ring	
22	802292	Nut	
23	F730168	Injection Nozzle Kit	Includes items 20-22

Spray and Fill Plumbing - Hays Valves



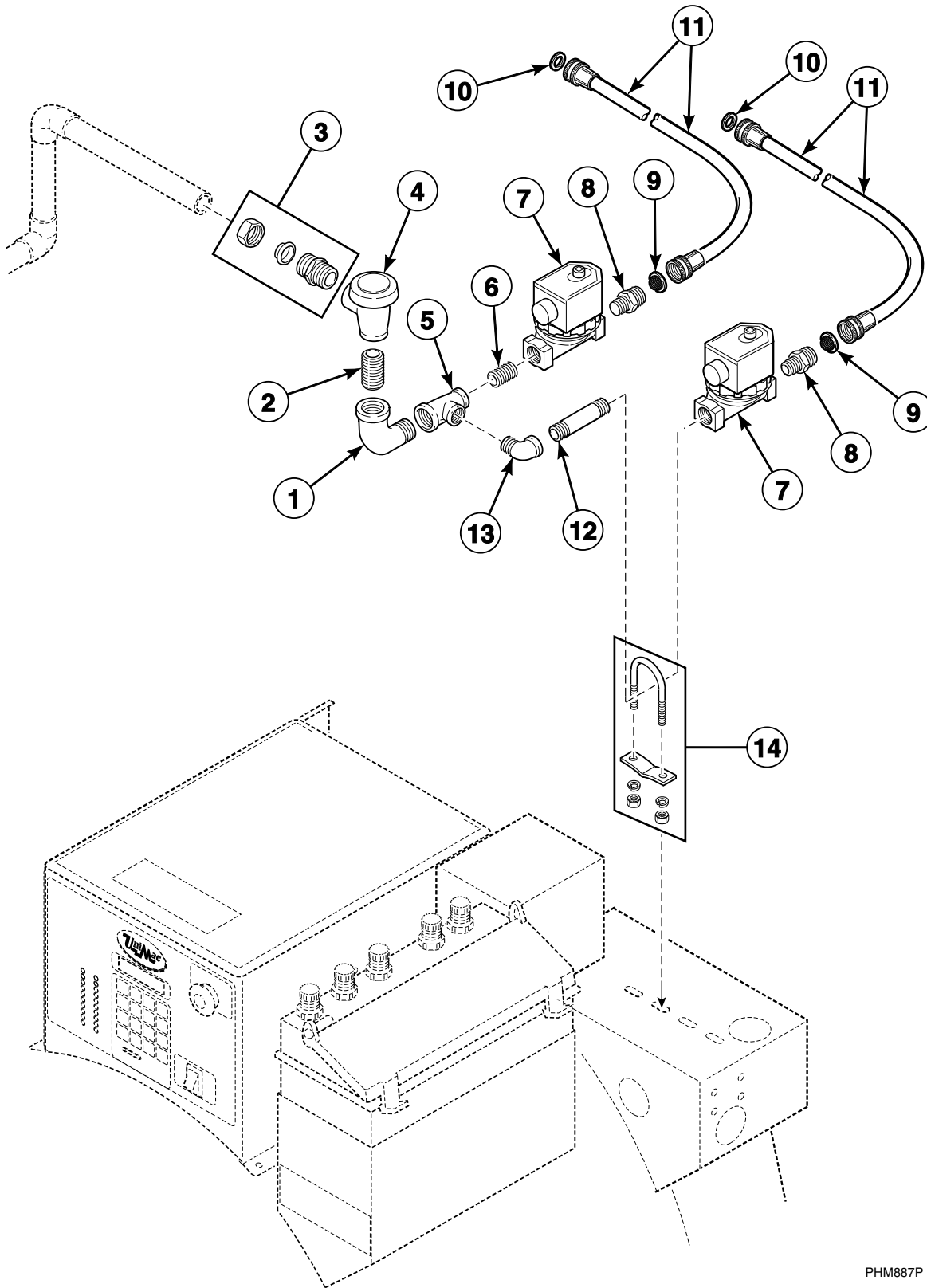
PHM886P_F232116

Spray and Fill Plumbing - Hays Valves

REF	PART NO.	DESCRIPTION	COMMENTS
1	F380801P	Antisiphon Valve	1/2 inch; F380964 Repair Kit
2	F422106	Tube Connector	
3	F420101	Nipple	
4	F420500	Street Elbow	
5	F420400	Tee	
6	F200401P	U-Bolt Clamp	Includes plate, washers and nuts
7	F420103	Nipple	
8	F380901P	Coil	Round; 120 Volt
	F380975	Coil	Rectangular; Plug type; 120 Volt; DIN
	F380902P	Coil	Round; 220 Volt
	F380976	Coil	Rectangular; Plug type; 220 Volt; DIN
9	F421908	Hose Adapter	Standard thread
	F421949	Nipple	Metric thread
10	F380700P	Solenoid Valve	1/2 inch; 120 Volt
	F380701P	Solenoid Valve	1/2 inch; 220 Volt
	F380780P	Valve	220 Volt; Includes harness
	F380914P	Repair Kit	1/2 inch
11	803615	Washer	
12	F200164	Water Hose	Standard thread
	F200166	Water Hose	Metric thread
13	20290	Washer	
14	F421930	Hose Barb	
15	F200199P	Water Hose	
16	F420401	Tee	
17	F420502	Street Elbow	
18	F420105	Nipple	
19	F063754701P	Vacuum Breaker Valve	3/4 inch; F280965 Repair Kit

Spray Plumbing - Parker Valves

Not on all machines

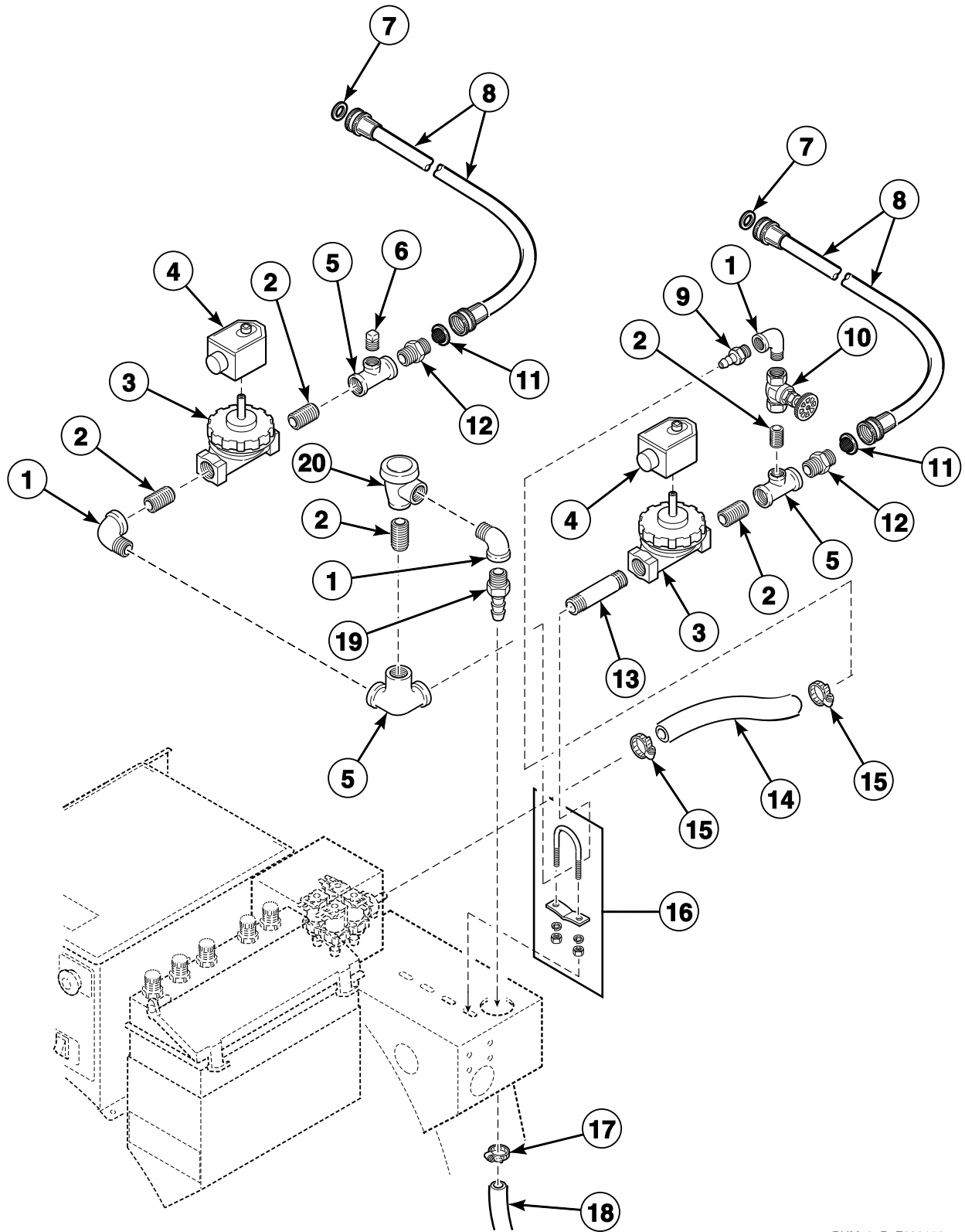


PHM887P_F232116

Spray Plumbing - Parker Valves

REF	PART NO.	DESCRIPTION	COMMENTS
	F141901P	DIN Harness Assembly	Use with F381702P Valve and F381703P Valve
	F380986P	DIN Coil	120 Volt; Use with F381702P Valve
	F380987P	DIN Coil	220 Volt; Use with F381703P Valve
	F380993P	Valve Repair Kit	1/2 inch; Use with F381702P Valve and F381703P Valve
	F8382301	DIN Valve Adapter Kit	Use with F8322806 Valve and F8322803 Valve
	F8456201P	Valve Transition Kit	Use with F8322806 Valve and F8322803 Valve
	F8514601	Coil	Use with F8322803 Valve
	F8514701	Coil	Use with F8322806 Valve
1	F420502	Street Elbow	
2	F420105	Nipple	
3	F422106	Tube Connector	
4	F063754701P	Vacuum Breaker Valve	3/4 inch; F380965P Repair Kit
5	F420401	Tee	
6	F420101	Nipple	
7	F8322806	Valve	Replaces F381702P Valve; Includes F8514701 Coil; For models that have been upgraded with F8322806P DIN Valve Kit
	F8322803P	Valve	Replaces F381703P Valve; Includes F8514601 Coil; For models that have been upgraded with F8521803P DIN Valve Kit
	F8521803P	DIN Valve Kit	Replaces F381703P Valve; Includes F8322803 Valve, F8382301 DIN Valve Adapter Kit and F8514601 Coil
	F8322806P	Valve	Replaces F381702P Valve; Includes F8322806 Valve, F8382301 DIN Valve Adapter Kit and F8514701 Coil
8	F421908	Hose Adapter	Standard thread
	F421949	Nipple	Metric thread
9	803615	Washer	
10	20290	Washer	
11	F200164	Water Hose	Standard thread
	F200166	Water Hose	Metric thread
12	F420103	Nipple	
13	F420500	Street Elbow	
14	F200401P	U-Bolt Clamp	Includes plate, washers and nuts

Fill Plumbing - Parker Valves

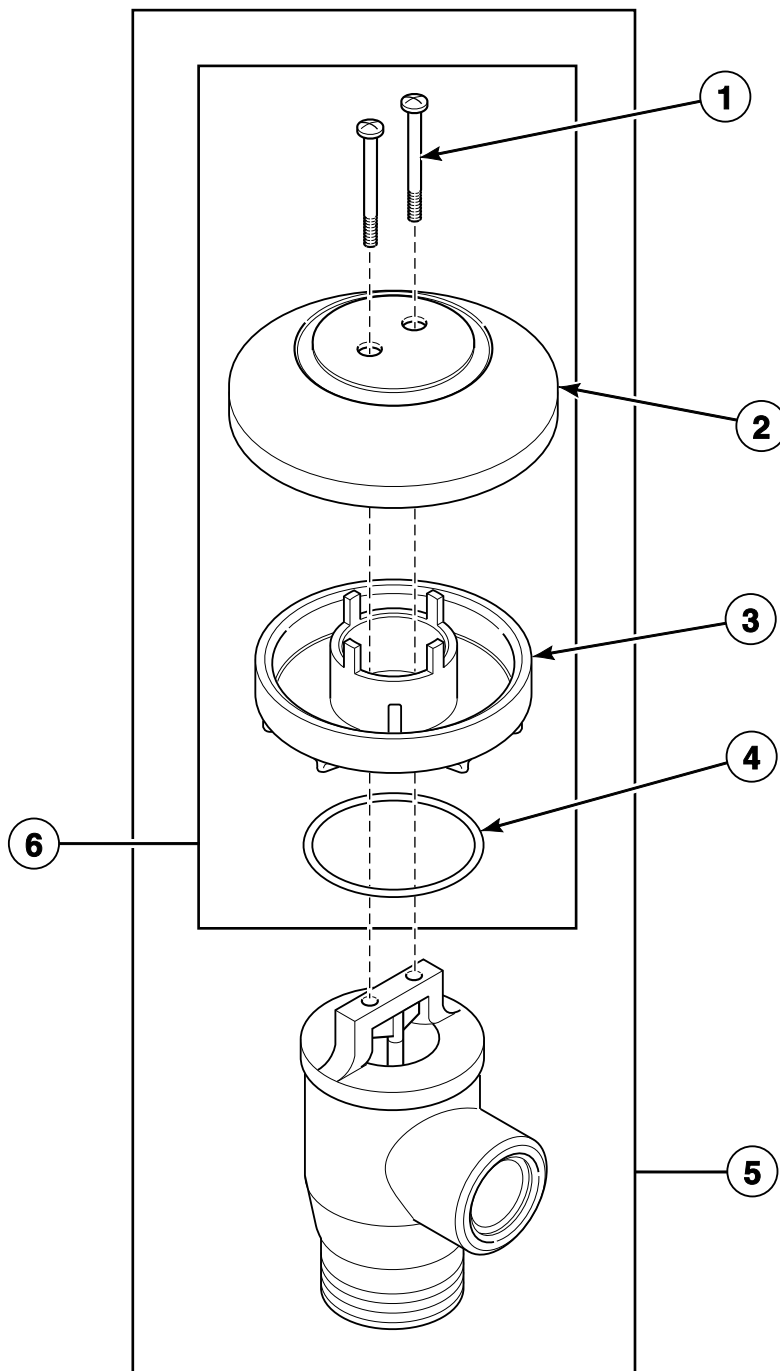


PHM597P_F232116

Fill Plumbing - Parker Valves

REF	PART NO.	DESCRIPTION	COMMENTS
	F141901P	DIN Harness Assembly	Use with F381702P Valve and F381703P Valve
	F380993P	Valve Repair Kit	1/2 inch; Use with F381702P Valve and F381703P Valve
	F8382301	DIN Valve Adapter Kit	Use with F8322806 Valve and F8322803 Valve
	F8456201P	Valve Transition Kit	Use with F8322806 Valve and F8322803 Valve
1	F420500	Street Elbow	
2	F420101	Nipple	
3	F8322806	Valve	Replaces F381702P Valve; Includes F8514701 Coil; For models that have been upgraded with F8322806P DIN Valve Kit
	F8322803P	Valve	Replaces F381703P Valve; Includes F8514601 Coil; For models that have been upgraded with F8521803P DIN Valve Kit
	F8521803P	DIN Valve Kit	Replaces F381703P Valve; Includes F8322803 Valve, F8382301 DIN Valve Adapter Kit and F8514601 Coil
	F8322806P	Valve	Replaces F381702P Valve; Includes F8322806 Valve, F8382301 DIN Valve Adapter Kit and F8514701 Coil
4	F380986P	DIN Coil	120 Volt; Use with F381702P Valve
	F380987P	DIN Coil	220 Volt; Use with F381703P Valve
	F8514601	Coil	Use with F8322803 Valve
	F8514701	Coil	Use with F8322806 Valve
5	F420400	Tee	
6	F420408	Plug	
7	20290	Washer	
8	F200164	Water Hose	Standard thread
	F200166	Water Hose	Metric thread
9	F421951	Hose Barb	
10	F380500	Gate Valve	
11	803615	Washer	
12	F421908	Hose Adapter	Standard thread
	F421949	Nipple	Metric thread
13	F420103	Nipple	
14	F200108P	Water Hose	
15	F200206	Hose Clamp	No. 4
16	F200401P	U-Bolt Clamp	Includes plate, washers and nuts
17	F200222	Hose Clamp	No. 12
18	F200104P	Hose	
19	F421930	Hose Barb	
20	F380801P	Antisiphon Valve	1/2 inch; F380964P Repair Kit

Vacuum Breaker Assembly with Leak Containment Kit

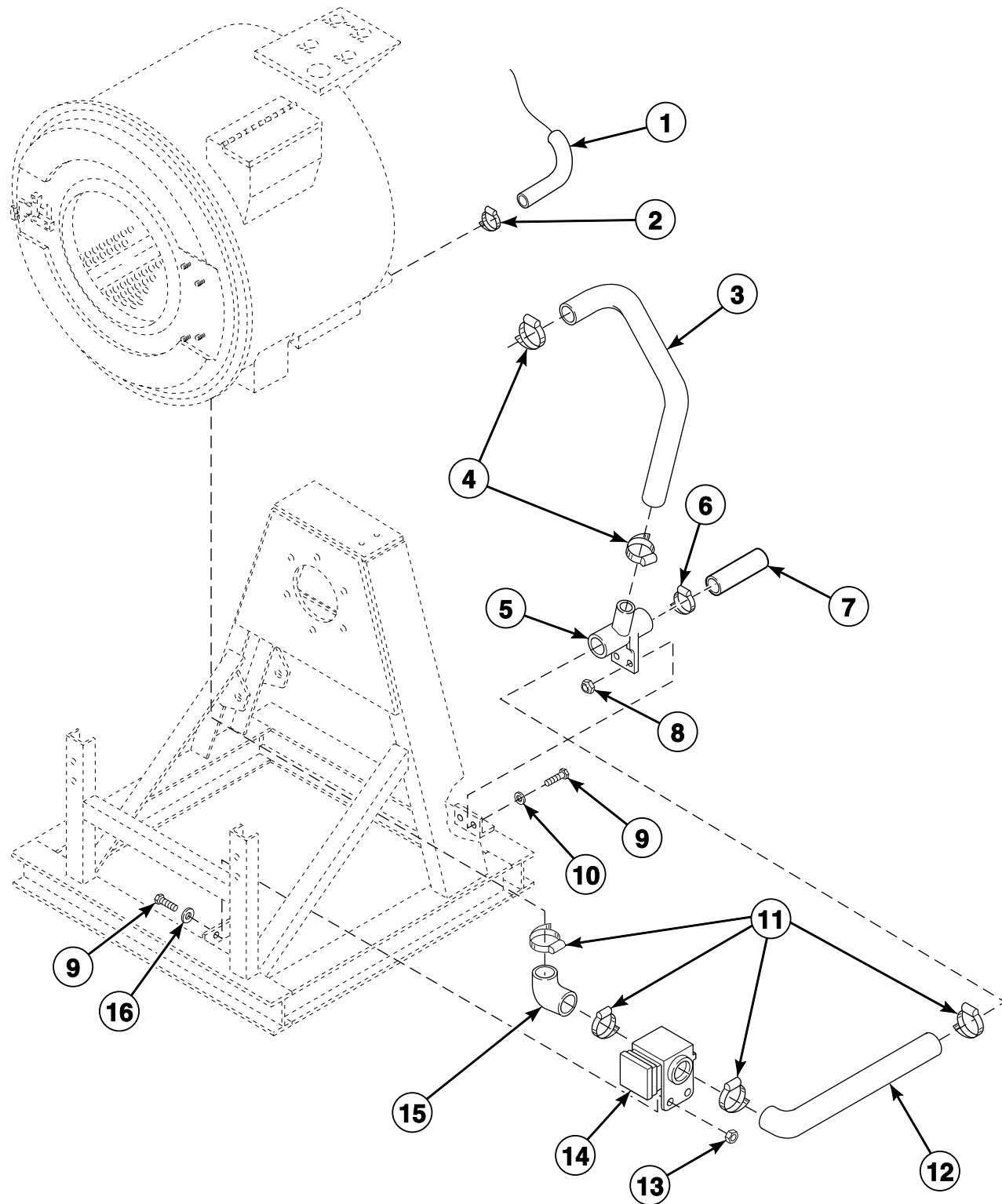


PHM2208P_F232116

Vacuum Breaker Assembly with Leak Containment Kit

REF	PART NO.	DESCRIPTION	COMMENTS
1	F430938	Screw	
2	F0380808-00	Vacuum Breaker Cap	
3	F0380809-00	Containment Device	
4	F0170221-00	O-Ring	
5	F063754701P	Vacuum Breaker Valve	3/4 inch; F380965 Repair Kit; Includes item 6
6	F0798922-00	Vacuum Breaker Kit	Includes items 1-4

Drain Valve and Hoses

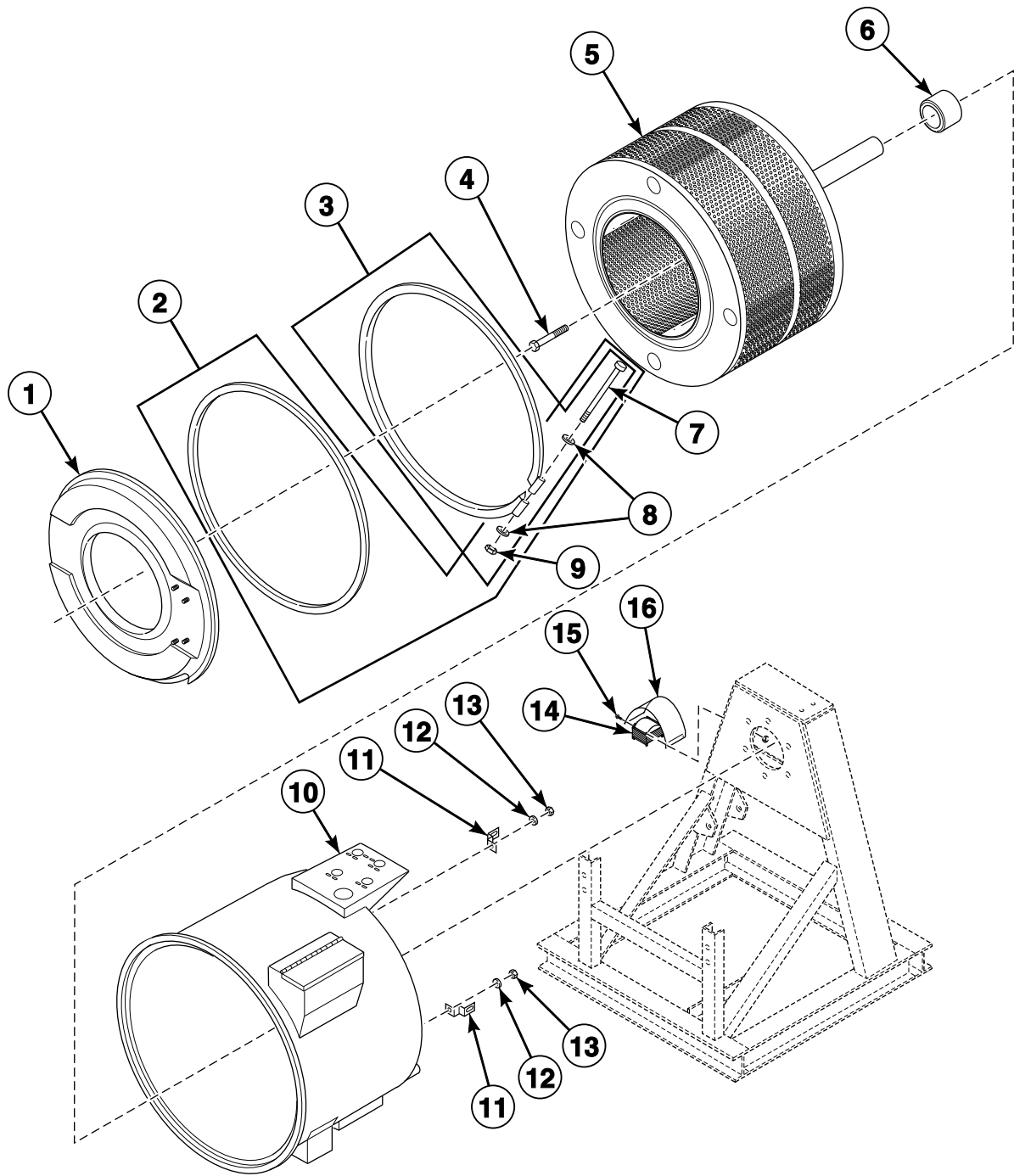


PHM2628P_F232116

Drain Valve and Hoses

REF	PART NO.	DESCRIPTION	COMMENTS
1	F020014200	Air Trap Hose	
2	F200205	Hose Clamp	No. 10
3	F150353	Overflow Hose	
4	F200215	Hose Clamp	No. 28
5	F8017101	Drain Connector Tee	
6	F200201	Hose Clamp	No. 56
7	F150308	Overflow Hose	
8	F431005	Nut	
9	F430103	Screw	
10	F431147	Washer	
11	F200213	Hose Clamp	No. 40
12	F8106501	Drain Hose	Rear
13	F430211	Nut	
14	803293	Drain Valve	2 inch; 120 Volt
	803292	Gravity Drain Valve	2 inch; 220 Volt
	F380918	Main Drive Kit	
15	F8105901	Drain Hose	
16	M400014	Washer	

Basket and Shell



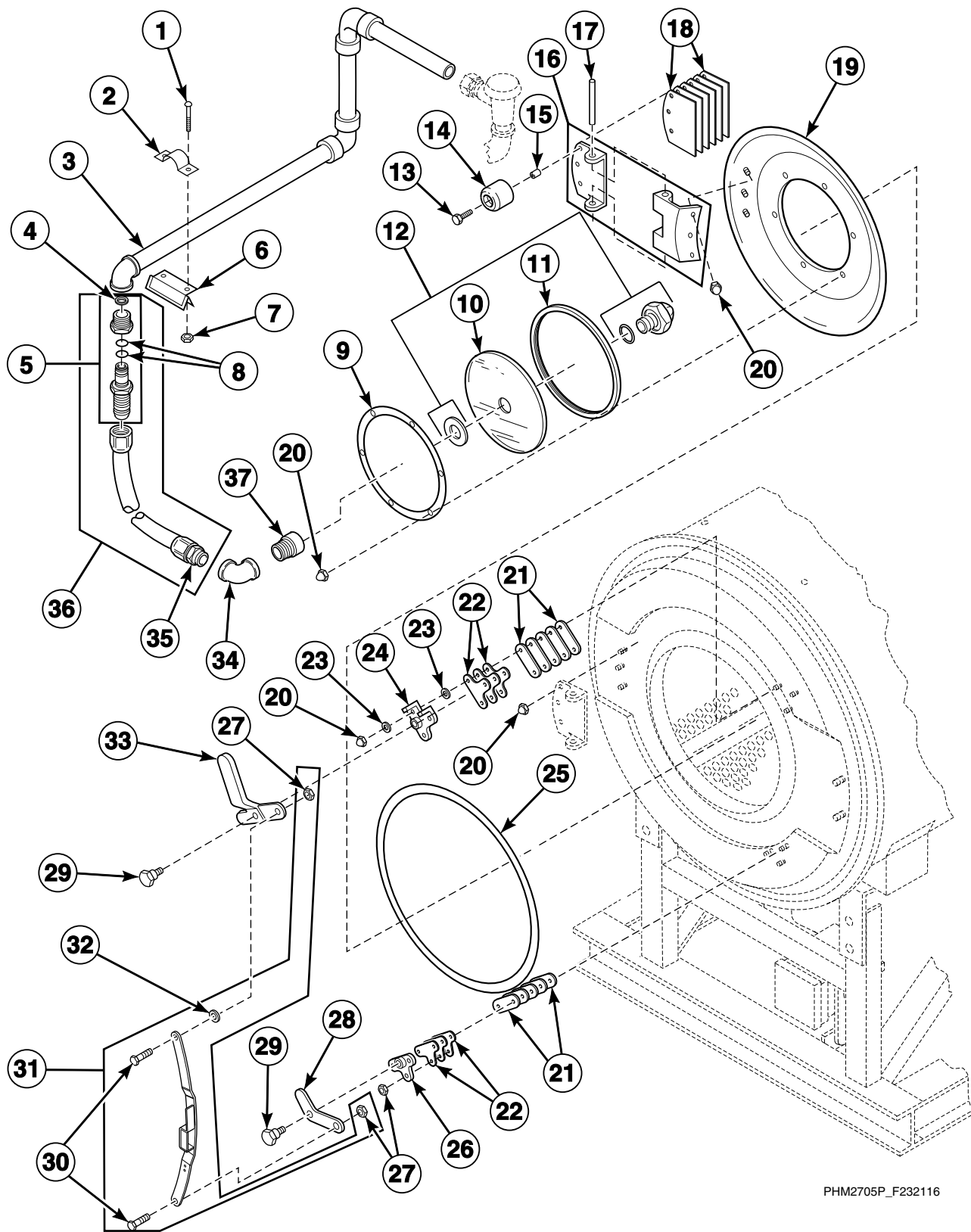
PHM2547P_F232116

Basket and Shell

REF	PART NO.	DESCRIPTION	COMMENTS
1	F741305	Shell Front Kit	New style; Single door box; Includes F200085000 Hot Surface Warning Decal and F8058701 Shell Front
	F8058701	Shell Front	
	N/A	Shell Front Kit	Old style; Dual door box
	F200119800	Shell Front Assembly	New style; Single door box; Includes door bumper moulding, warning decal, door latch shim, top latch bracket casting, lower door latch bracket casting, door butt, door bumper bushing, shell front weldment, door butt shim and door bracket latch shim
2	F792000	Shell Front Gasket Kit	Includes F170125P Shell Band Seal, F410102 Clear Sealant and items 7-9
3	F741701	Shell Band Kit	Includes items 7-9
4	N/A	Screw	
5	F603225-1	Basket Assembly	Models UW35M2, UW35P2 and UW35S2; Includes item 6
	F604129	Basket Assembly	Models UW35M3, UW35P3 and UW35S3; Includes item 6
	F604377	Basket Assembly	Model UW35P4
6	F8312003P	Shaft Seal Sleeve	Models UW35M2, UW35P2 and UW35S2
	F8312008P	Shaft Seal Sleeve	Models UW35M3, UW35P3 and UW35S3
7	F430518	Screw	
8	F430317	Washer	
9	F430215	Nut	
10	F634508	Shell Assembly	Models UW35M2, UW35P2 and UW35S2; Standard
	N/A	Shell Assembly	Models UW35M2, UW35P2 and UW35S2; With starch
	F634510	Shell Assembly	Models UW35M3, UW35P3 and UW35S3; Standard
	F634510-1	Shell Weldment	Models UW35M3, UW35P3 and UW35S3; With starch
	N/A	Shell Assembly	Model UW35P4; Standard
11	F601806	Shell Mounting Bracket	
12	M400081	Washer	
13	20274	Nut	
14	C000203	Transformer	
15	F430935	Screw	
16	F140425	Control Transformer Cover	

N/A = Part no longer available

Door and Spray Rinse

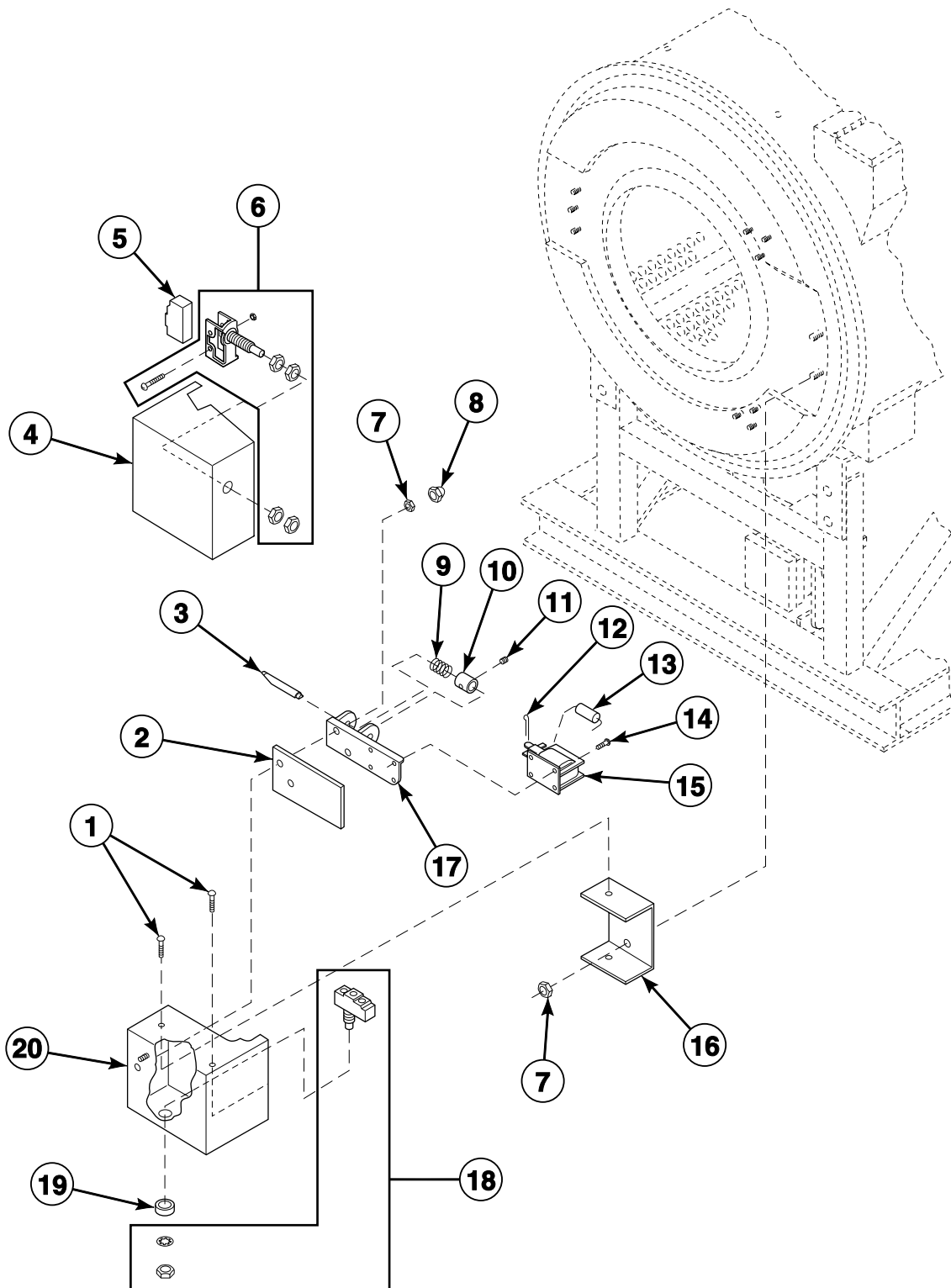


PHM2705P_F232116

Door and Spray Rinse

REF	PART NO.	DESCRIPTION	COMMENTS
1	F430917	Screw	
2	F602880	Spray Rinse Strap	
3	F603696-7	Spray Rinse Tube Assembly	
4	F310206	Ring Retainer	
5	F422108	Swivel Coupling	Includes items 4 and 8
6	F602901P	Spray Rinse Bracket Assembly	Includes items 1 and 7
7	F431022	Nut	
8	F170200	O-Ring	
9	F320100	Retainer Ring Spinning	
10	F290202P	Glass Kit	For models with spray rinse
	F290203P	Glass	For models without spray rinse
11	F170112	Door Glass Gasket	
12	F730077	Spray Rinse Nozzle Kit	
13	F430103	Screw	
14	F150366	Door Bumper Moulding	
15	F430416	Door Bumper Bushing	
16	F200030600P	Door Hinge Strap Kit	Includes F200030700 Door Hinge
17	F601815	Door Hinge Pin	
18	F0610695-00	Door Butt Shim	
19	F630315	Stud Weldment	
	F200119500P	Door Assembly	For models with spray rinse; Includes items 9, 10, 12, 18, magnet, door spinning, door push handle, door push brace and door hinge
	F200119400	Door Assembly	For models without spray rinse; Includes items 9, 10, 12, 18, magnet, door spinning, door push handle and door push brace
20	F8549401	Nut	
21	F631989	Door Bracket Latch Shim	
22	F602058	Door Latch Bracket Shim	
23	F431100	Washer	
24	F150201P	Top Latch Bracket Casting	
25	F170143	Door Gasket	
26	F150202	Lower Door Latch Bracket Casting	
27	F431002	Nut	
28	F150204	Lower Door Latch Casting	
29	F430168	Screw	
30	F430927	Screw	
31	F746800	Extension Arm Kit	Single door box; Includes items 27, 30 and 32
	F746801	Extension Arm Kit	Dual door box
32	F431118	Washer	
33	F150203	Door Handle Casting	
34	F422319	Elbow	
35	F422109	No-Swivel Coupling	
36	F730025	Spray Rinse Hose Kit	Includes items 4, 5, 8 and 35
37	F421938	Extension	

Dual Door Box



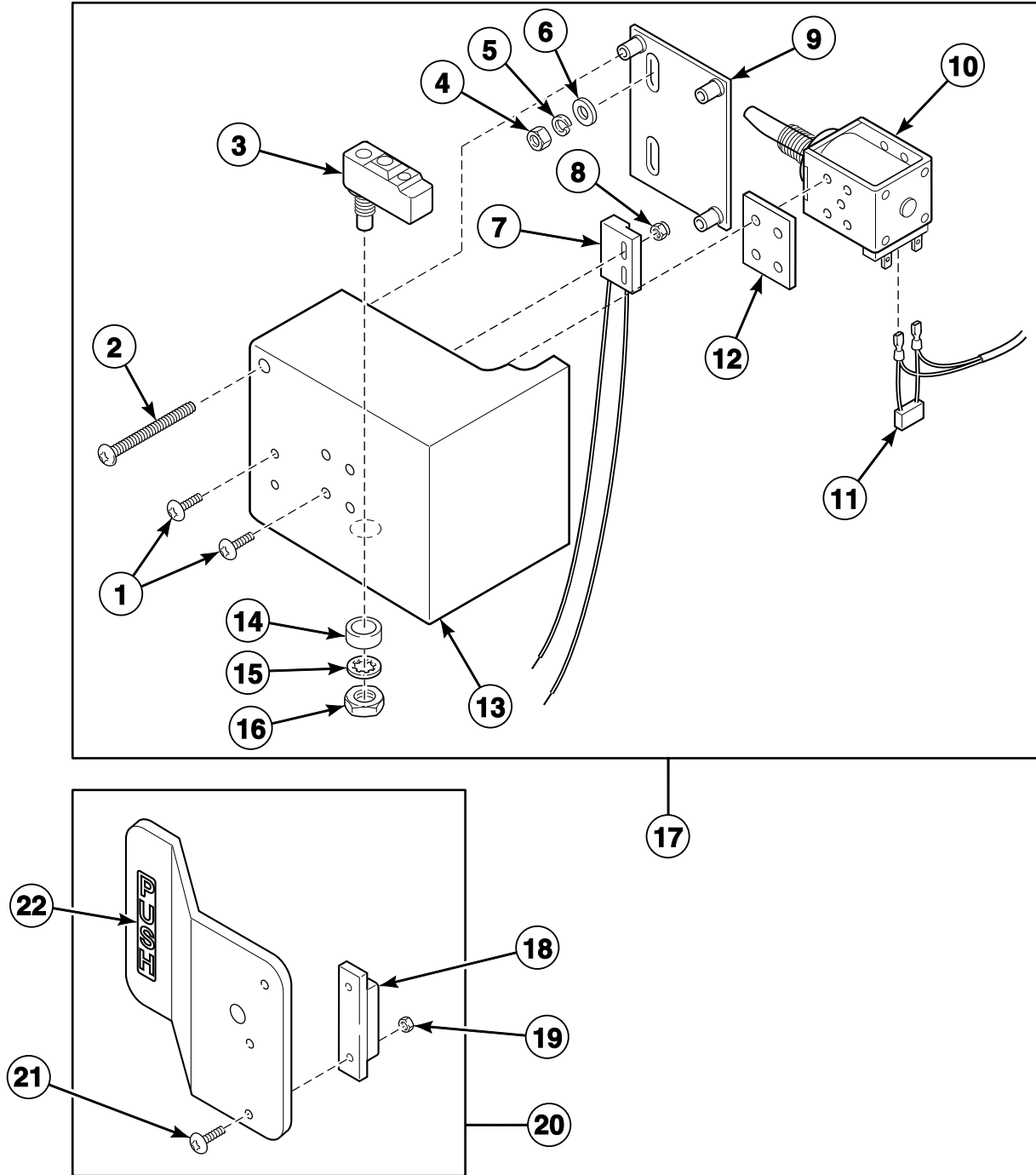
PHM2178P_F232116

Dual Door Box

REF	PART NO.	DESCRIPTION	COMMENTS
1	F430988	Screw	
2	F170135	Door Lock Gasket	
3	F601081	Door Lock Plunger	
4	N/A	Left Door Box	
5	F340901	Switch	
6	F340913	Switch Extension	Includes nuts and screw
7	F430211	Nut	
8	F190300	Cap	
9	F310119	Door Lock Solenoid Spring	
10	F150288	Door Lock Collar	
11	F430502	Screw	
12	F431201	Cotter Pin	
13	F330217P	RC Network Filter	Includes F140627 Connector and F141022 Connector
14	F430917	Screw	
15	F300101P	Door Solenoid	120 Volt
	F300105	Door Solenoid	220 Volt
16	F601129	Door Box Mounting Bracket	
17	F605525	Door Box Mounting Plate Assembly	
18	F340900	Interlock Switch	
19	F601055	Interlock Switch Spacer	
20	F601523	Right Door Box	

N/A = Part no longer available

Single Door Box



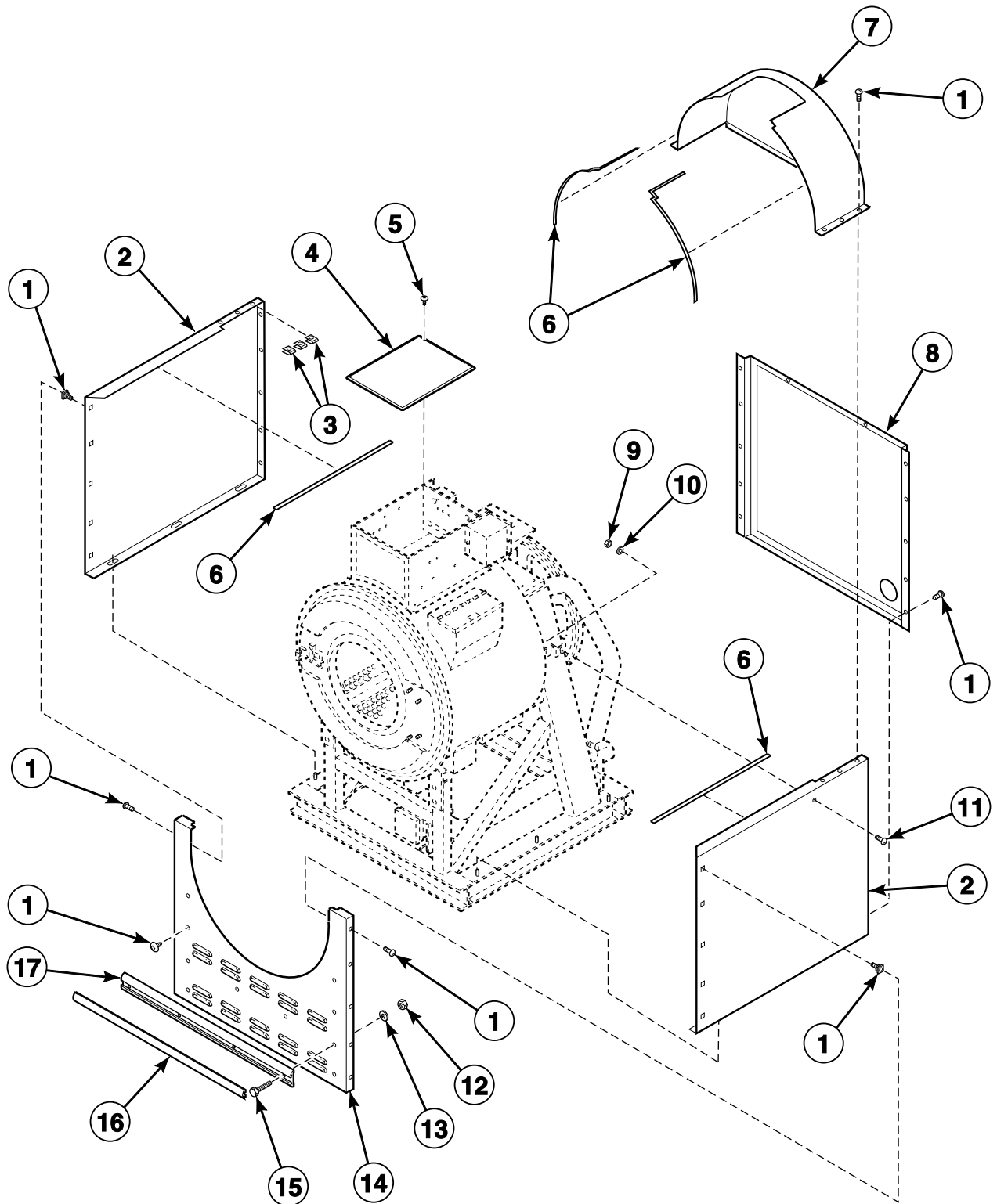
PHM2053P_F232116

Single Door Box

REF	PART NO.	DESCRIPTION	COMMENTS
1	F430917	Screw	
2	F430996	Screw	
3	F340900	Interlock Switch	
4	F430215	Nut	
5	F431100	Washer	
6	F431142	Washer	
7	F200321200	Magnetic Switch Assembly	
8	F430231	Nut	
9	F605525	Door Box Mounting Plate Assembly	
10	F300118P	Door Lock Solenoid	120 Volt
	F300129P	Door Lock Solenoid	220 Volt
11	F330217P	RC Network Filter	Includes F140627 Connector and F141022 Connector
12	F609728	Solenoid Spacer	
13	F0605466-00	Door Box	
14	F601055	Interlock Switch Spacer	
15	F431104	Washer	
16	F431021	Nut	
17	N/A	Door Box Assembly	120 Volt
	F604191	Door Box Assembly	220 Volt
18	F8390801	Magnet	
19	F430232	Nut	
20	F746201-1	Push Handle Kit	
21	F430909	Screw	
22	F230303	Push Decal	

N/A = Part no longer available

Cabinet

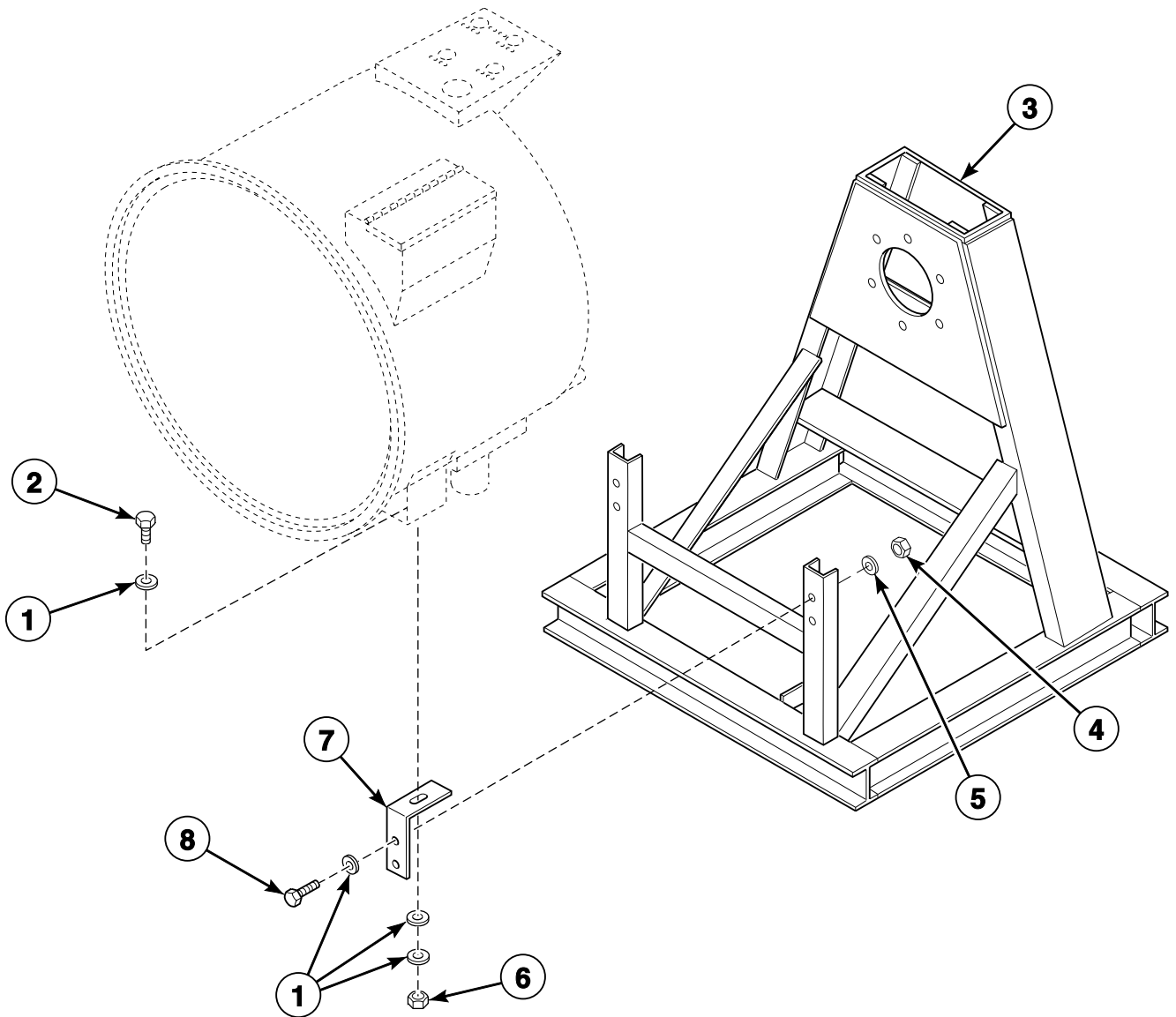


PHM614P_F232116

Cabinet

REF	PART NO.	DESCRIPTION	COMMENTS
1	F430956	Screw	
2	F632342	Side Panel	Reversible
3	F430264	Nut	
4	F634558	Control Module Cover	
5	70240301	Screw	
6	F170400RP	Trim	
7	F634147	Cage Wrap Assembly	
8	F632347	Rear Panel	
9	F430215	Nut	
10	F430317	Washer	
11	F432234	Screw	
12	F430211	Nut	
13	F431100	Washer	
14	F630356	Front Panel	
15	F430921	Screw	
16	F150397	Extrusion Insert	Order 3 feet
17	F150407	Rub Rail	

Frame



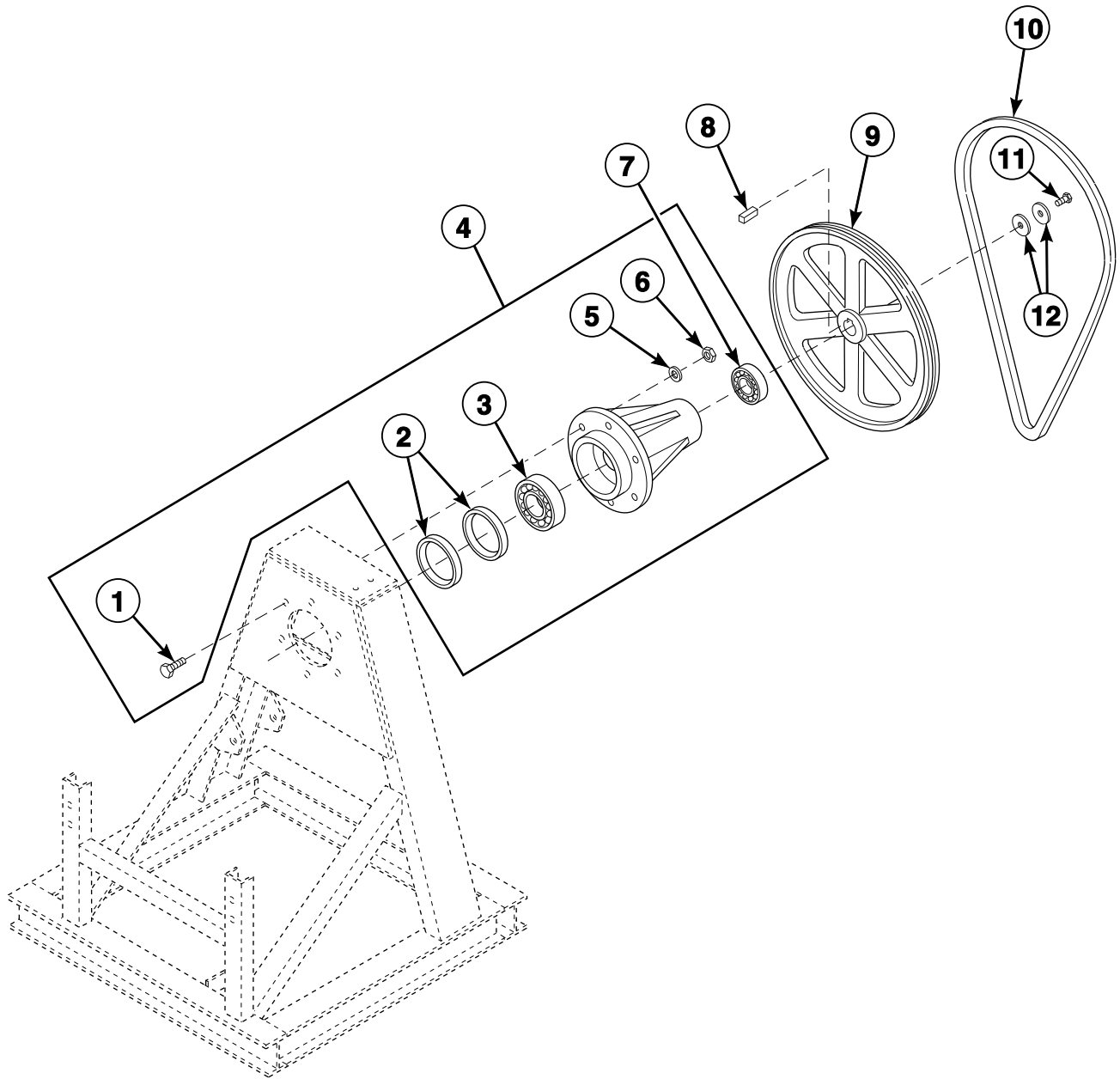
PHM890P_F232116

Frame

REF	PART NO.	DESCRIPTION	COMMENTS
1	M400081	Washer	
2	F430116	Screw	
3	F603330	Frame Assembly	Models UW35M2, UW35P2 and UW35S2
	F606219	Frame Assembly	Models UW35M3, UW35P3 and UW35S3
	N/A	Frame Assembly	Model UW35P4
4	20274	Nut	
5	M400014	Washer	
6	70142	Nut	
7	F601806	Shell Mounting Bracket	
8	F430924	Screw	

N/A = Part no longer available

Pulley and 2 and 3 Speed Trunnion Assembly

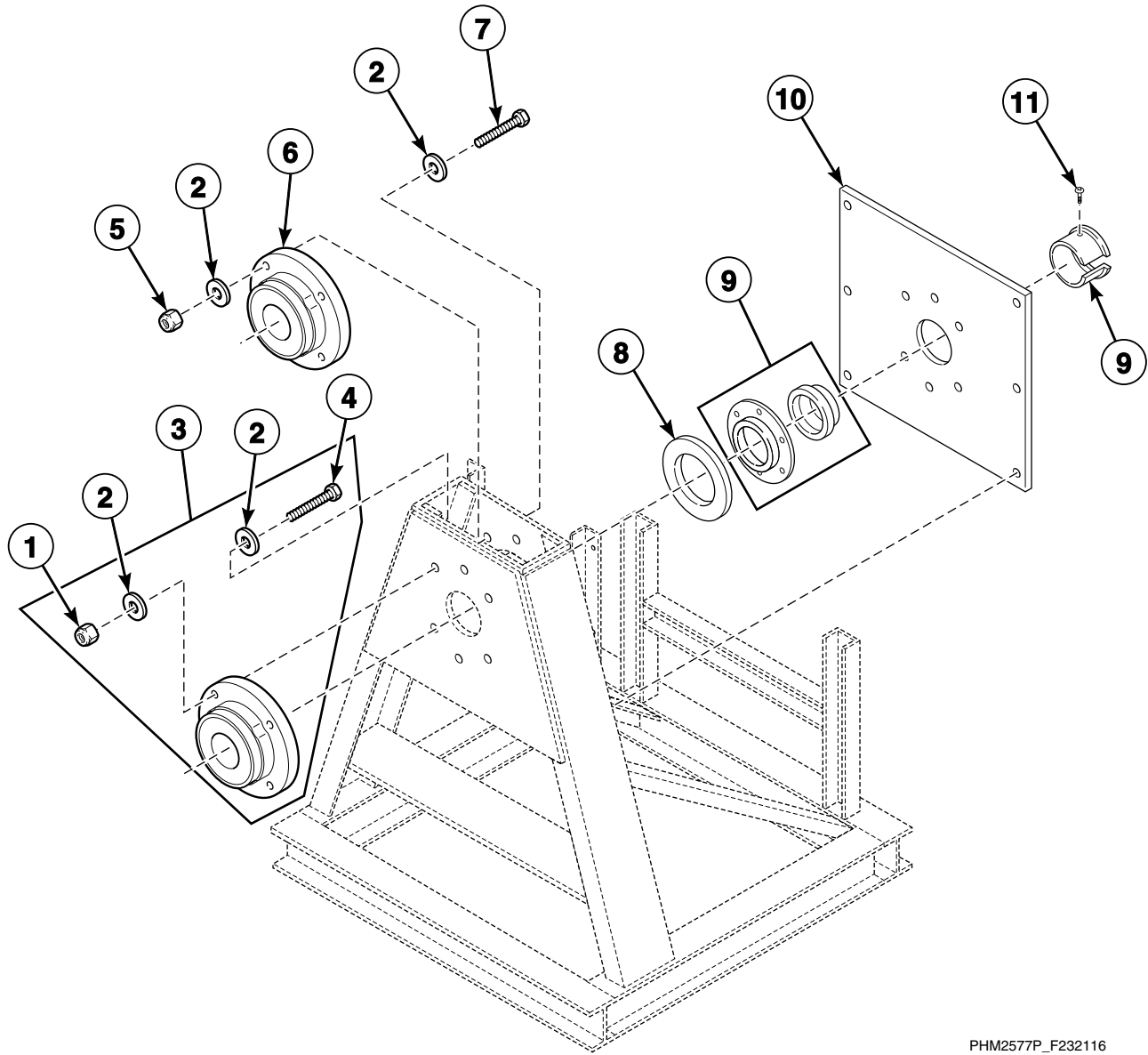


P035P_F232116

Pulley and 2 and 3 Speed Trunnion Assembly

REF	PART NO.	DESCRIPTION	COMMENTS
1	F430987	Screw	Models UW35M2, UW35M3, UW35P2, UW35P3, UW35S2 and UW35S3
2	F8203802	Triple Lip Seal	Models UW35M2, UW35P2 and UW35S2
	F8203805	Triple Lip Seal	Models UW35M3, UW35P3 and UW35S3
3	F100123P	Bearing	Models UW35M2, UW35P2 and UW35S2; 6309 2RS
	F100122	Bearing	Models UW35M3, UW35P3 and UW35S3; 6312 2RS C3
4	F747002	Trunnion Kit	Models UW35M2, UW35P2 and UW35S2; Includes F792000 Shell Front Gasket Kit
	F747004	Trunnion Kit	Models UW35M3, UW35P3 and UW35S3; Includes F792000 Shell Front Gasket Kit
5	F431131	Washer	Models UW35M2, UW35M3, UW35P2, UW35P3, UW35S2 and UW35S3
6	F430240	Nut	Models UW35M2, UW35M3, UW35P2, UW35P3, UW35S2 and UW35S3
7	F100108	Bearing	Models UW35M2, UW35P2 and UW35S2; 6208 2RS
	F100123P	Bearing	Models UW35M3, UW35P3 and UW35S3; 6309 2RS C3
8	F430801	Key	
9	F280172	Sheave Pulley	Models UW35M2, UW35P2 and UW35S2
	F280173	Pulley	Models UW35M3, UW35P3 and UW35S3
	N/A	Pulley	Model UW35P4
10	F280341	Belt	Models UW35M2, UW35P2 and UW35S2; 1 required; 3V-850
	F280304	Belt	Models UW35M3, UW35P3 and UW35S3; 2 required; 3V-900
	F280327	Belt	Model UW35P4
11	F430927	Screw	Models through 12/31/04
	F430100	Screw	Models starting 1/1/05
12	F0431159-00	Washer	

Bearings and Seal - Model UW35P4

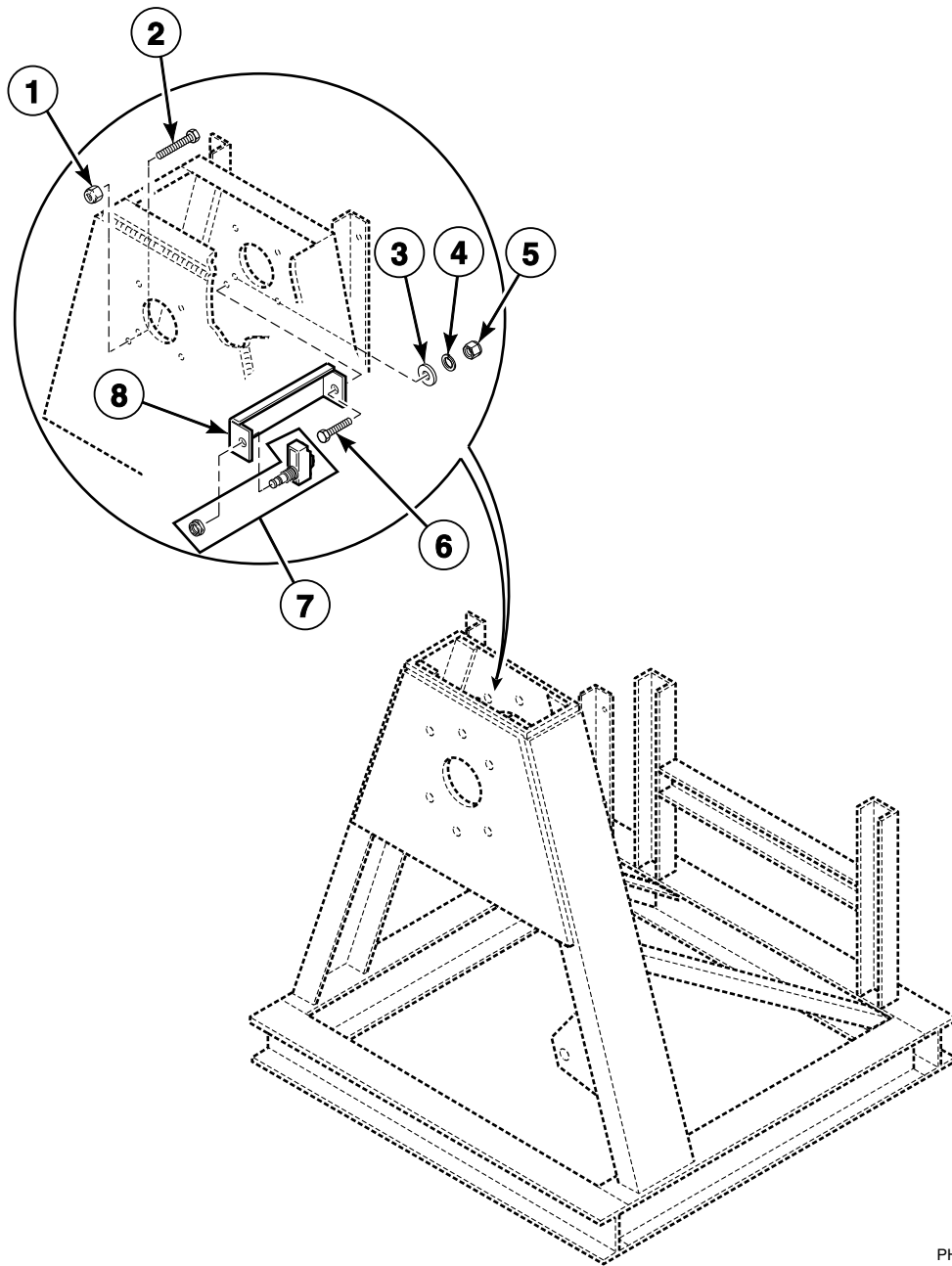


PHM2577P_F232116

Bearings and Seal - Model UW35P4

REF	PART NO.	DESCRIPTION	COMMENTS
1	F430200	Nut	
2	F430327	Washer	
3	F745010	Rear Bearing Kit	Includes items 1, 2, 5 and F704854 Key
4	F430136	Screw	
5	F430201	Nut	
6	F798824-00	Front Bearing Kit	Includes item 9, F100150 Bearing, F100203 Slinger, F170120R Shell Band Gasket, F170125 Shell Band Seal, F200001600 Shell Band Gasket, F410102 Clear Sealant, F430137 Screw, F430201 Nut, F430211 Nut, F430317 Washer, F430325 Washer, F430500 Screw, F430935 Screw, F431005 Nut, F431100 Washer, F431112 Washer, F431210 Pop Rivet and F704853 Key
7	F430137	Screw	
8	F170205	O-Ring	
9	F8162101	Face Seal	
10	F601359	Shell Reinforcement Plate	
11	F430917	Screw	

Balance Switch - UW35P4 Models

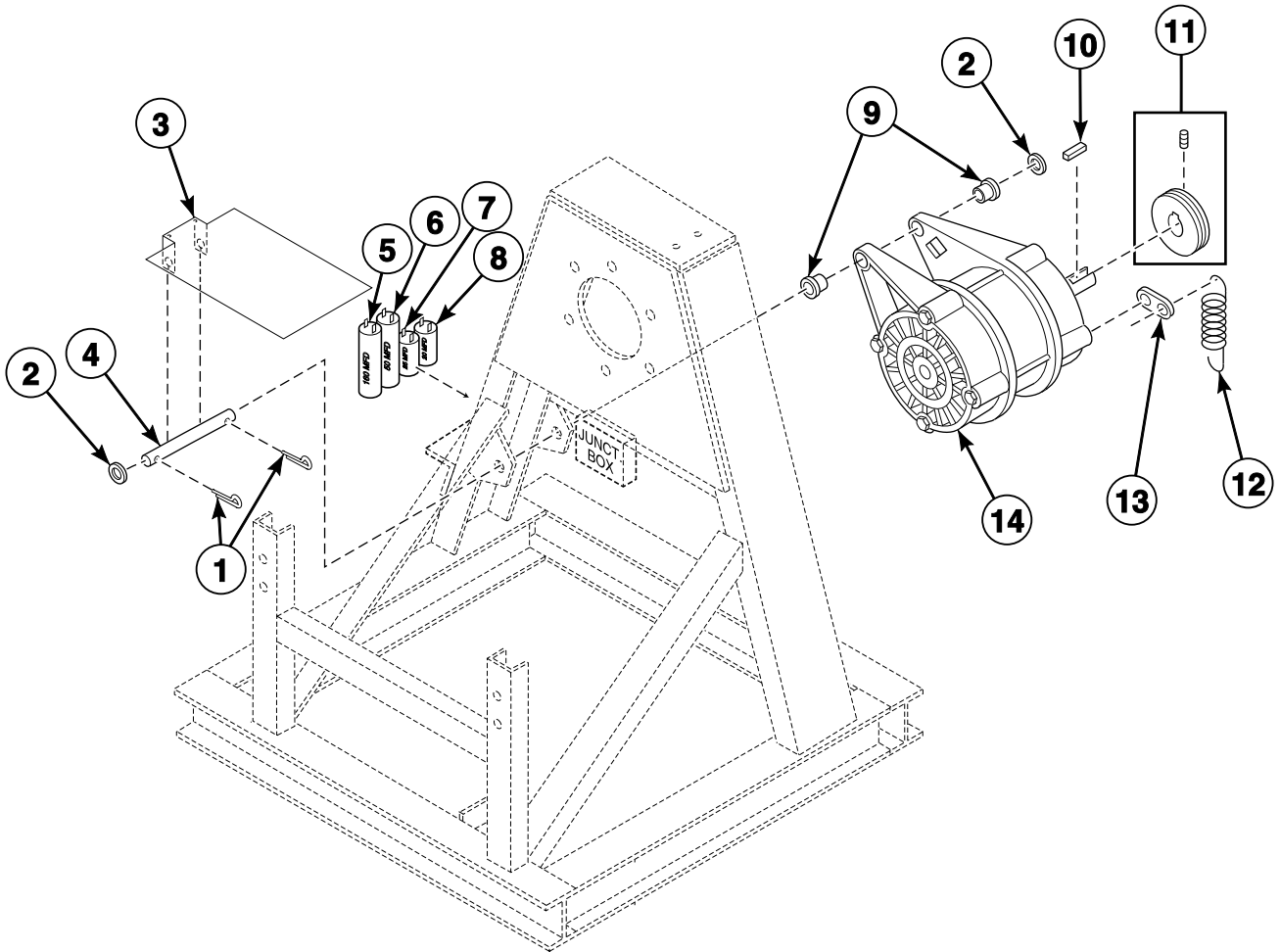


PHM2578P_F232116

Balance Switch - UW35P4 Models

REF	PART NO.	DESCRIPTION	COMMENTS
1	H88412101	Nut	
2	F430124	Screw	
3	M400081	Washer	
4	M400014	Washer	
5	20274	Nut	
6	F430900	Screw	
7	F340900	Interlock Switch	
8	F601750	Balance Switch Bracket	

Motor - 2 Speed Models

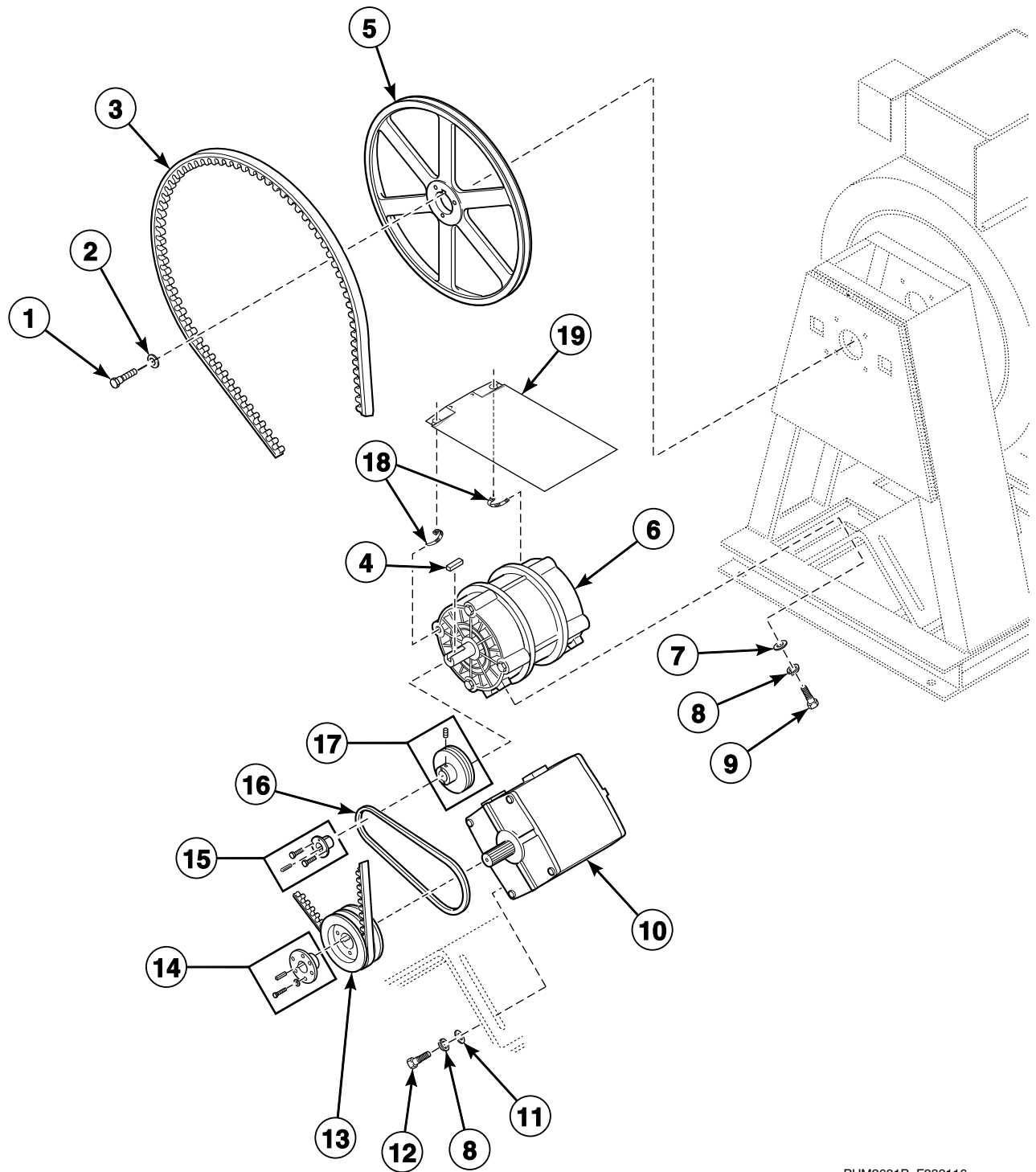


PHM2690P_F232116

Motor - 2 Speed Models

REF	PART NO.	DESCRIPTION	COMMENTS
1	F430401	Cotter Pin	
2	901690	Washer	
3	F200216900	Motor Drip Shield	8 inch
	F200280700	Motor Drip Shield	10 inch
4	F603897	Motor Support Rod	
5	F730344P	Capacitor Kit	160 MFD and 15K resistor
6	F8411901	Capacitor	50 MFD
7	F8411801	Capacitor	25 MFD
8	F8411701	Capacitor	20 MFD
9	F200186100	Motor Support Bushing	
10	F430802	Key	
11	F280186P	Pulley	Includes screw; 50 Hertz; 2-3.650DX7/8; 2 groove; 3.65 inch OD
	F280281	Motor Pulley	Includes screw; 60 Hertz; 1 DP-GR3V300X.875; 1 groove; 3.24 inch OD
12	F310124	Extension Spring	
13	F601515	Clip	
14	F8330001P	Motor	208-240 Volt/60 Hertz/3 Phase; Includes item 9
	F220353	Motor	220-240 Volt/50 Hertz/3 Phase
	F8353601P	Motor	208-240 Volt/60 Hertz/1 Phase
	F8330101P	Motor	380-415 Volt/50 Hertz; 440-480 Volt/60 Hertz; Includes item 9

Motor - 3 Speed Models



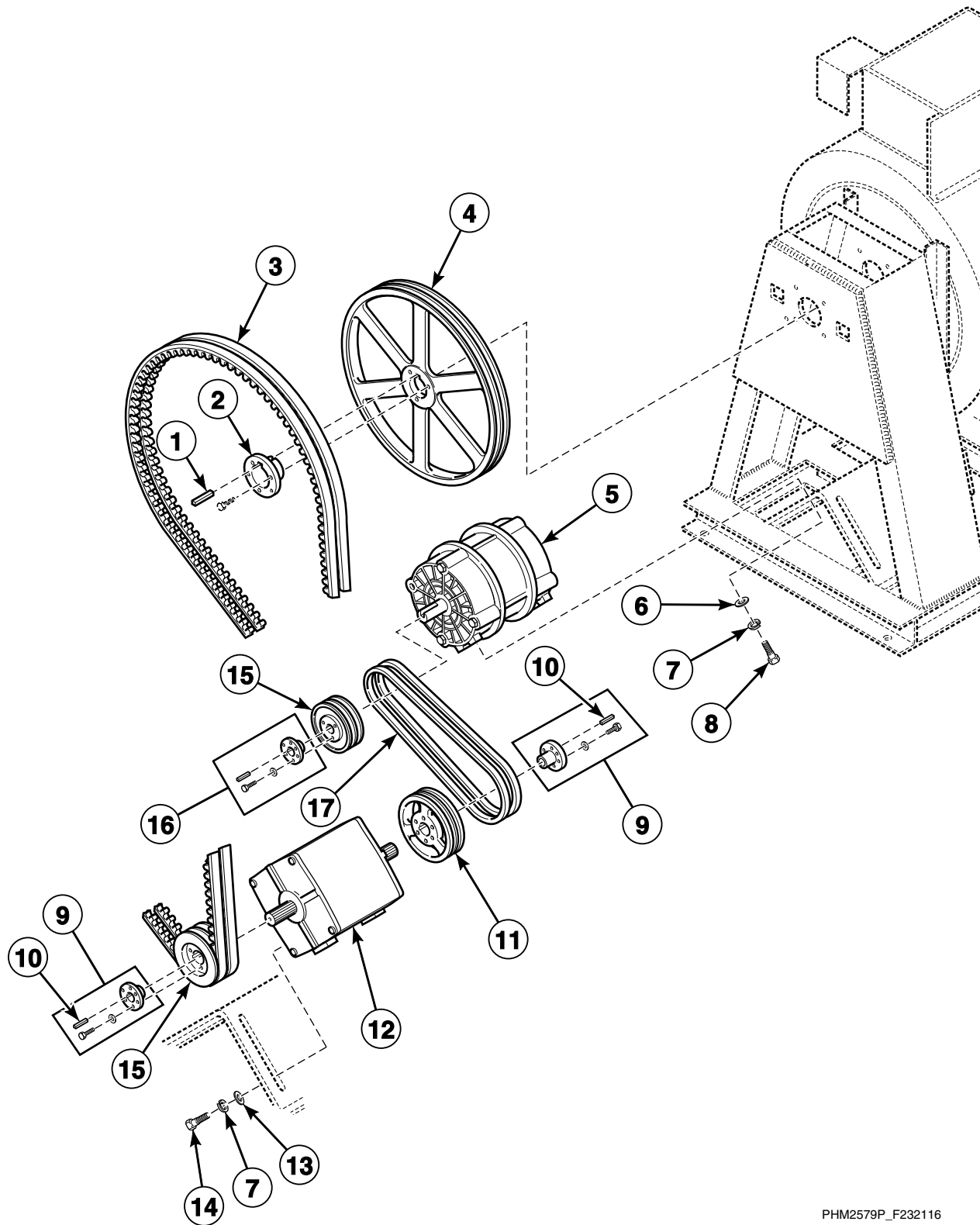
PHM2691P_F232116

Motor - 3 Speed Models

REF	PART NO.	DESCRIPTION	COMMENTS
1	F430927	Screw	
2	F0431159-00	Washer	
3	F280304	Belt	
4	F430802	Key	
5	F280173	Pulley	2G3V2400
6	F220410P	Motor	208-240 Volt/60 Hertz/3 Phase; Wash
	N/A	Motor	220-240 Volt/50 Hertz/3 Phase; Wash
	F220420	Motor	380-415 Volt/50 Hertz/3 Phase; 440-480 Volt/60 Hertz/3 Phase; Wash
7	F430300	Washer	
8	M400014	Washer	
9	800461	Screw	
10	F220411	Motor	208-240 Volt/60 Hertz/3 Phase; Extract
	N/A	Motor	220-240 Volt/50 Hertz/3 Phase; Extract
	F220421	Motor	380-415 Volt/50 Hertz/3 Phase; 440-480 Volt/60 Hertz/3 Phase; Extract
11	M400081	Washer	
12	F430116	Screw	
13	F280236	Pulley	Includes screw; 60 Hertz; 4P3V41; Extract
	N/A	Pulley	Includes screw; 50 Hertz; 4P3V50; Extract
14	F280238	Bushing	P1-1-1/8; Extract
15	F280214	Motor Bushing	H-7/8; Wash
16	F280319	Belt	50 Hertz; 3V-335
	F280352	Belt	60 Hertz; 3VX315
17	N/A	Pulley	60 Hertz; 2H3V31; Wash
	F280178	Pulley	50 Hertz; 2H3V36; Wash
18	F140605	Cable Tie	50 Hertz; 3V-335
19	F200216900	Motor Drip Shield	50 Hertz; 3V-335

N/A = Part no longer available

Motor - Model UW35P4



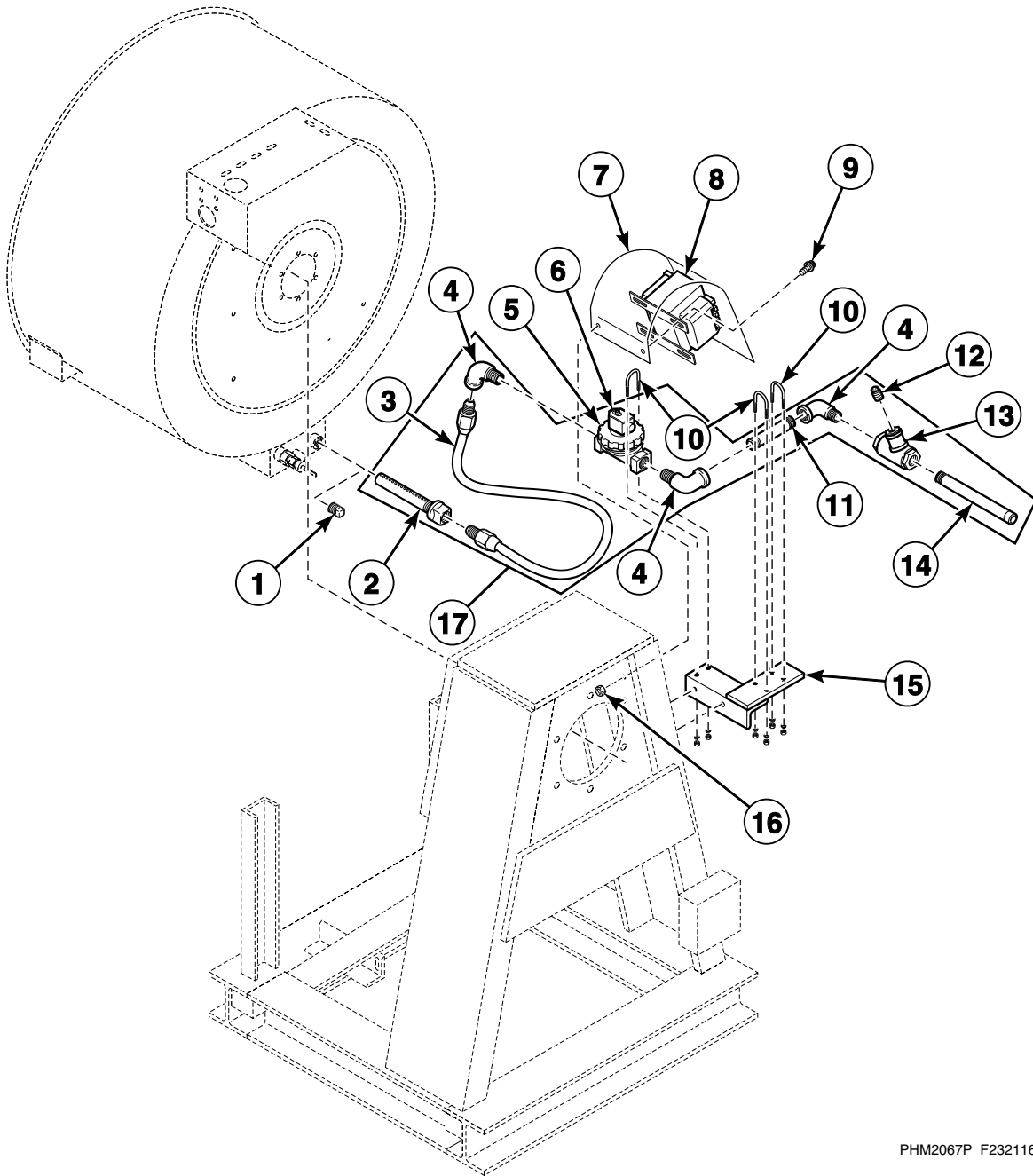
PHM2579P_F232116

Motor - Model UW35P4

REF	PART NO.	DESCRIPTION	COMMENTS
1	F430804	Key	
2	N/A	Bushing	Includes screws
3	F280327	Belt	
4	N/A	Pulley	
5	F220410P	Motor	208-240 Volt/60 Hertz/3 Phase; Uses F100124 Motor Bearing
	F220420	Motor	380-415 Volt/50 Hertz/3 Phase; 440-480 Volt/60 Hertz; Uses F100124 Motor Bearing
6	F430300	Washer	
7	M400014	Washer	
8	800461	Screw	
9	F280211P	Motor Pulley Bushing	Includes hardware
10	F430803	Key	
11	F280160	Motor Pulley	
12	N/A	Motor	208-240 Volt/60 Hertz/3 Phase
	N/A	Motor	380-415 Volt/50 Hertz/3 Phase; 440-480 Volt/60 Hertz
13	M400081	Washer	
14	F430116	Screw	
15	F280128	Motor Pulley	
16	F280212	Motor Pulley Bushing	
17	F280349	Belt	

N/A = Part no longer available

Steam Heat Option - Model UW35P4

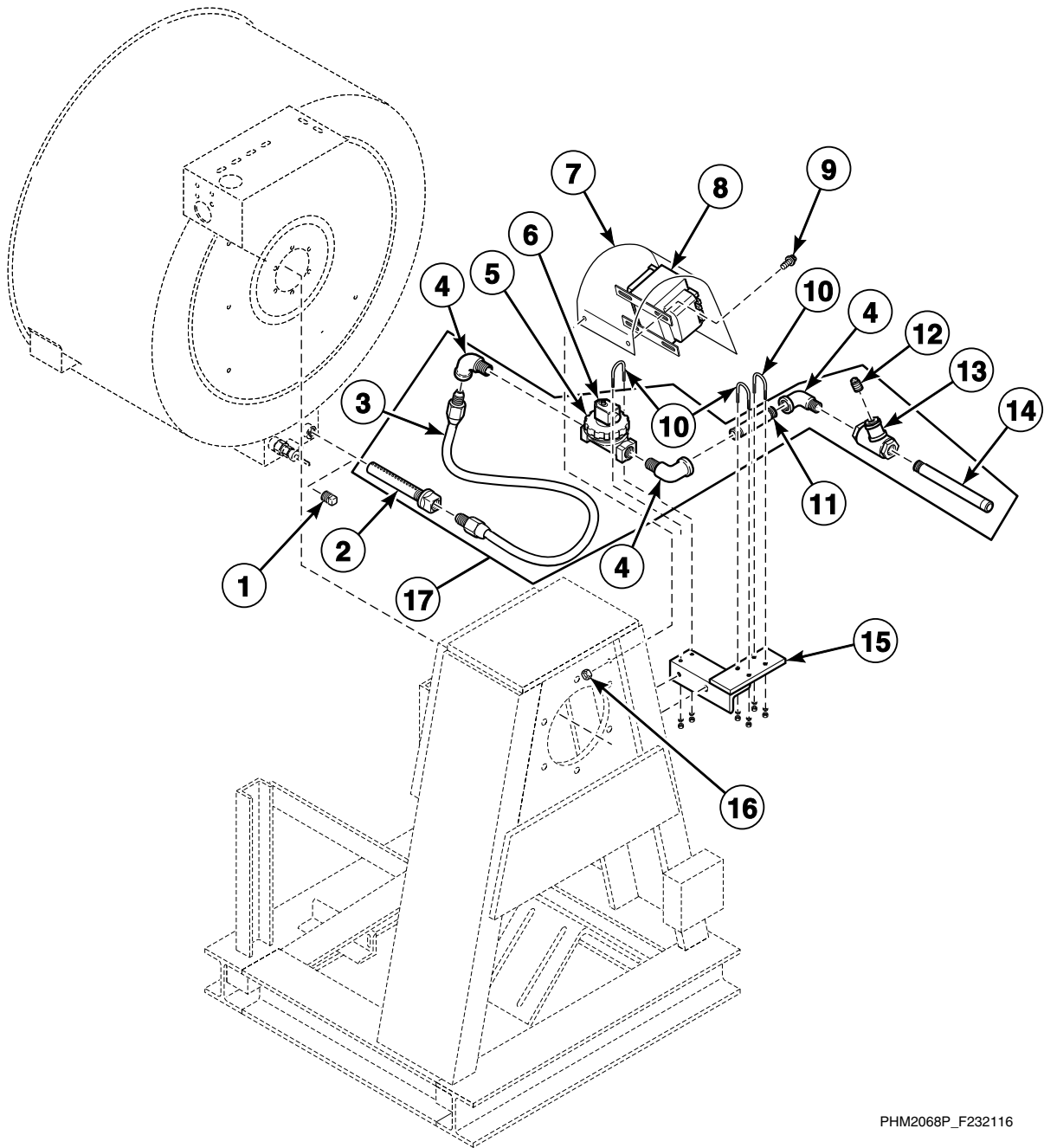


PHM2067P_F232116

Steam Heat Option - Model UW35P4

REF	PART NO.	DESCRIPTION	COMMENTS
	F410300	Pipe Insulation	
	F8382301	DIN Valve Adapter Kit	Use with F8322801 Valve
	F8379501P	Valve Kit	Use with F8322801 Valve
	F8514601	Coil	Use with F8322801 Valve
	F380984P	Steam Valve Repair Kit	Use with F380787P Steam Valve
1	F200202600	Plug	
2	F8368201	Steam Injector Tube Assembly	Includes item 1
3	F200517	Steam Hose	
4	F421108	Elbow	
5	F8322801P	Valve	Replaces F380787P Valve; Includes F8514601 Coil; For models that have been upgraded with F8521801 DIN Valve Kit
	F8521801	DIN Valve Kit	Replaces F380787P Valve; Includes F8322801 Valve, F8382301 DIN Valve Adapter Kit and F8514601 Coil
6	F380987P	DIN Coil	220 Volt
7	F140425	Control Transformer Cover	Mylar
8	F360156P	Transformer	Control; F-voltage
9	F430935	Screw	
10	F200401P	U-Bolt Clamp	Includes washers and nuts
11	F420709	Nipple	
12	F420409	Plug	
13	F270307	Steam Filter	
14	F420711	Nipple	
15	F0635785-00	Steam Bracket Weldment	
16	F430215	Nut	
17	F635782-1	Steam Kit	220 Volt; Includes items 2-6 and 11-14

Steam Heat Option - 3 Speed Models

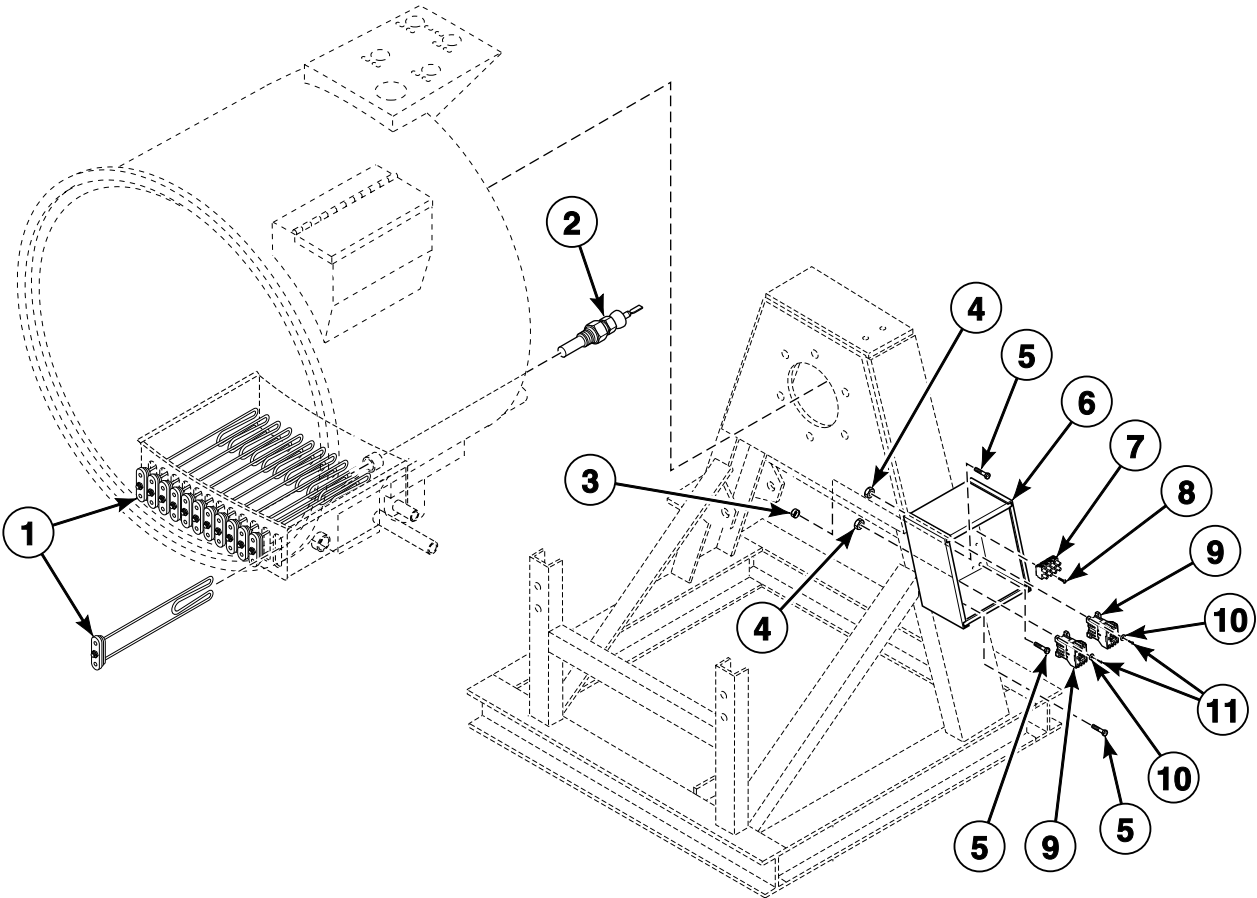


PHM2068P_F232116

Steam Heat Option - 3 Speed Models

REF	PART NO.	DESCRIPTION	COMMENTS
	F410300	Pipe Insulation	
	F8382301	DIN Valve Adapter Kit	Use with F8322801 Valve
	F8379501P	Valve Kit	Use with F8322801 Valve
	F8514601	Coil	Use with F8322801 Valve
	F380984P	Steam Valve Repair Kit	Use with F380787P Steam Valve
1	F200202600	Plug	
2	F8368201	Steam Injector Tube Assembly	Includes item 1
3	F200517	Steam Hose	
4	F421108	Elbow	
5	F8322801P	Valve	Replaces F380787P Valve; Includes F8514601 Coil; For models that have been upgraded with F8521801 DIN Valve Kit
	F8521801	DIN Valve Kit	Replaces F380787P Valve; Includes F8322801 Valve, F8382301 DIN Valve Adapter Kit and F8514601 Coil
6	F380987P	DIN Coil	220 Volt
7	F140425	Control Transformer Cover	Mylar
8	F360156P	Transformer	Control; F-voltage
9	F430935	Screw	
10	F200401P	U-Bolt Clamp	Includes screws and nuts
11	F420708	Nipple	
12	F420409	Plug	
13	F270307	Steam Filter	
14	F420711	Nipple	
15	F0635785-00	Steam Bracket Weldment	
16	F430215	Nut	
17	F635782	Steam Kit	220 Volt; Includes items 2-6 and 11-14

Electric Heat Option

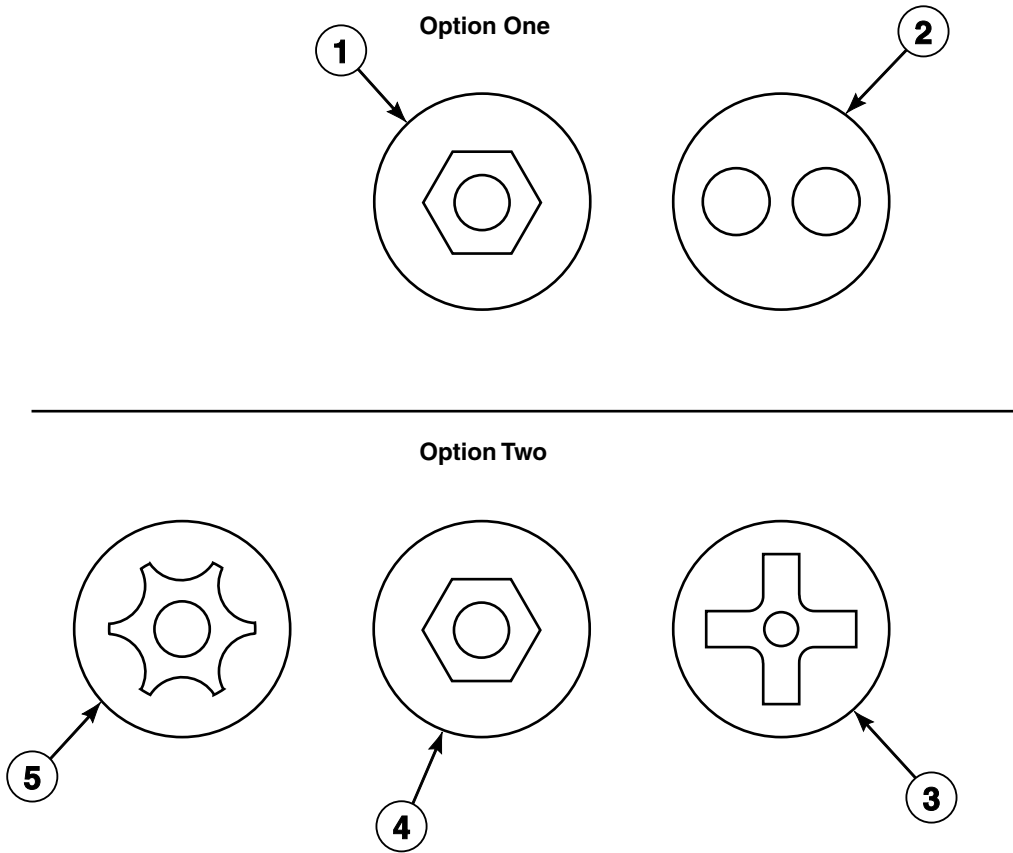


PHM2218P_F232116

Electric Heat Option

REF	PART NO.	DESCRIPTION	COMMENTS
1	F360205P	Element	6 required
2	F370606P	Temperature Probe	
3	F430215	Nut	
4	F430231	Nut	
5	F430938	Screw	
6	F140413	Box	
7	M413865	Terminal Block	Q-voltage
	F140747	Input Power Block	N and P-voltage
8	F430916	Screw	Q-voltage
	F430938	Screw	N and P-voltage
9	F330182	Contactator	220 Volt
10	F430311	Washer	
11	F430910	Screw	

Security Fasteners



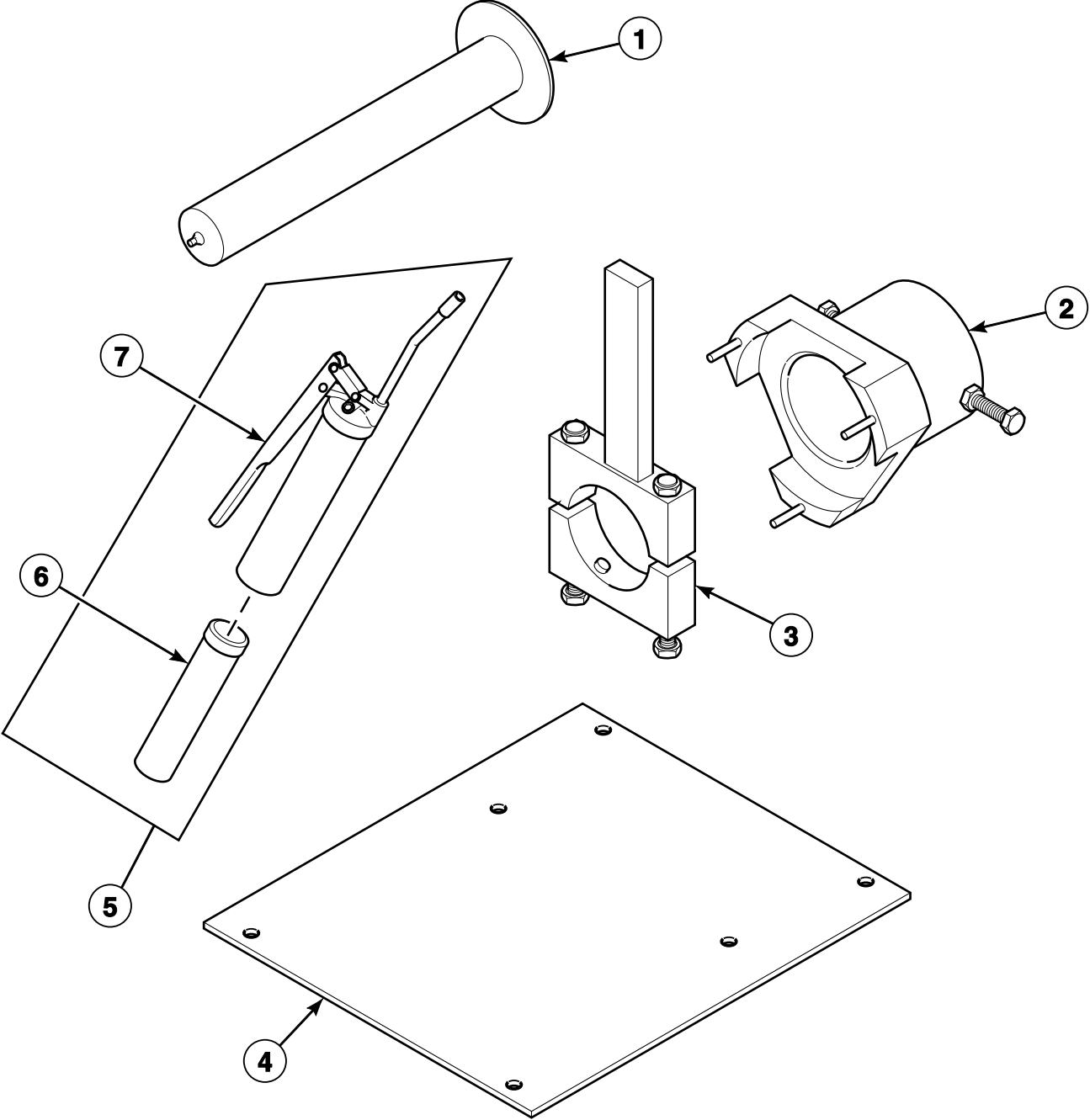
PHM2181P_F232116

Security Fasteners

REF	PART NO.	DESCRIPTION	COMMENTS
1	F0430275-00	Screw	No. 8; 32 x 1/2 inch; Used in place of F430956 Screw; Typical location is the side panels and module cover
	F430960	Screw	No. 10; 32 x 3/8 inch; Used in place of F430904 Screw; Typical location is the module to the shell
	F704906	Hex Bit	
2	F0430273-00	Screw	1/4 inch; 20 x 2-1/2 inch; Used in place of F430996 Screw; Typical location is the door box to the bracket
	F0430272-00	Screw	1/4 inch; 20 x 1-1/2 inch; Used in place of F430921 Screw; Typical location is the side panel to the bracket
	F0430274-00	Screw	1/4 inch; 20 x 1/2 inch; Used in place of F430925 Screw; Typical location is the drive box or the cover
	F704907	Spanner Bit	
3	F432260	Screw	1/4 inch; 20 x 2-1/2 inch; Used in place of F430996 Screw; Typical location is the door box to the bracket
	N/A	Phillips Bit	
4	N/A	Screw	1/4 inch; 20 x 1/2 inch; Used in place of F430925 Screw; Typical location is the drive box or the cover
	N/A	Hex Bit	
5	F432259	Screw	No. 8; 32 x 1/2 inch; Used in place of F430956 Screw; Typical location is the side panels and the module cover
	281P4	Torx Bit	

N/A = Part no longer available

Special Tools



PHM2978P_F232116

Special Tools

REF	PART NO.	DESCRIPTION	COMMENTS
	1113P	Concrete Hardware Kit	
1	F633426	Alignment Shaft Assembly	
2	F0100312-00	Shaft Seal Alignment Fixture	
3	F460130	Bearing Removal Tool	
4	F604501	Rebar Frame Template	Model UW35P4
	F604226	Rebar Frame Template	Models UW35M2, UW35M3, UW35P2, UW35P3, UW35S2 and UW35S3
5	F798700	Grease Gun Kit	Includes items 6 and 7
6	F210206P	Bearing Grease	
7	F210207P	Grease Gun	

Parts Index

A

Air Trap Hose	
F020014200	35
Alignment Shaft Assembly	
F633426	69
Antisiphon Valve	
F380801P	27, 31
Auxiliary Contactor	
F330185P	11, 15, 19

B

Balance Switch Bracket	
F601750	53
Basket Assembly	
F603225-1	37
F604129	37
F604377	37
Battery	
F191101	11, 15
Battery Adapter Board	
F370529P	15
Battery Backup Wire Harness	
F140249	15
Bearing	
F100108	49
F100122	49
F100123P	49
Bearing Grease	
F210206P	69
Bearing Removal Tool	
F460130	69
Before Power Is Connected Tag	
F230501	7
Belt	
F280304	49, 57
F280319	57
F280327	49, 59
F280341	49
F280349	59
F280352	57
Box	
F140413	65
Bushing	
F280238	57
Buzzer	
F300203P	9

C

Cable Assembly	
F604713	9
Cable Tie	
F140605	57
Cage Wrap Assembly	
F634147	45

Cap	
F190300	41
Capacitor	
F8411701	55
F8411801	55
F8411901	55
Capacitor Kit	
F730344P	55
Chemical Supply Cup	
F150385	25
F150386	25
Chemical Supply Hose	
F150478	25
Circuit Breaker	
F350210	9
Clip	
F601515	55
Clockwise Spin Rotation Decal	
F230652	7
Coil	
F380900	21
F380901P	27
F380902P	27
F380917	21
F380975	27
F380976	27
F8514601	29, 31, 61, 63
F8514701	29, 31
Cold Water Valve Decal	
F231368	7
Computer	
F370555-00P	15
Computer Cover	
F606826	9
Concrete Hardware Kit	
1113P	69
Conductor Decal	
F231146	7
Connector	
F140309	9, 13
F140575P	9
F140576P	9
F422500	9
Contact Base	
F8538101	11
Contact Block Switch	
F200233401P	11
F200299500	11
F340445	11
Contact Switch	
F8069501	11
Contactactor	
F330175P	11, 15, 19
F330177P	11, 15, 19
F330178P	11, 15, 19
F330179P	11, 15, 19
F330182	65
Containment Device	
F0380809-00	33
Control Module Cover	
F634558	45

N/A items do not appear in index.

Control Module Decal	
F230687	17
F230721	11
F230795	15
Control Transformer Cover	
F140425	37, 61, 63
Cotter Pin	
F430401	55
F431201	41
Cover	
F140423	15
Cycle Selector Switch	
F340413	17
F340442	17
Cycle Timer	
F160301P	17
F160304P	17

D

Delay Relay	
F330235	17
Diaphragm and Guide Kit	
G582P3	23
DIN Coil	
F380986P	29, 31
F380987P	29, 31, 61, 63
DIN Harness Assembly	
F141901P	29, 31
DIN Valve Adapter Kit	
F8382301	29, 31, 61, 63
DIN Valve Kit	
F8521801	61, 63
F8521803P	29, 31
Disconnect Power Warning Label	
505281	7
Dispenser Assembly	
F0150512-00P	25
Dispenser Lid	
F0150514-00	25
Do Not Push Decal	
F230302	7
Door Assembly	
F200119400	39
F200119500P	39
Door Box	
F0605466-00	43
Door Box Assembly	
F604191	43
Door Box Mounting Bracket	
F601129	41
Door Box Mounting Plate Assembly	
F605525	41, 43
Door Bracket Latch Shim	
F631989	39
Door Bumper Bushing	
F430416	39
Door Bumper Moulding	
F150366	39
Door Butt Shim	
F0610695-00	39
Door Gasket	
F170143	39

N/A items do not appear in index.

Door Glass Gasket	
F170112	39
Door Handle Casting	
F150203	39
Door Hinge Pin	
F601815	39
Door Hinge Strap Kit	
F200030600P	39
Door Latch Bracket Shim	
F602058	39
Door Lock Collar	
F150288	41
Door Lock Gasket	
F170135	41
Door Lock Plunger	
F601081	41
Door Lock Solenoid	
F300118P	43
F300129P	43
Door Lock Solenoid Spring	
F310119	41
Door Solenoid	
F300101P	41
F300105	41
Drain Connector Tee	
F8017101	35
Drain Hose	
F8105901	35
F8106501	35
Drain Valve	
803293	35

E

Elbow	
F421108	61, 63
F422319	39
Element	
F360205P	65
Emergency Stop Button Kit	
F200233700P	11
Emergency Stop Decal	
F231083	11
Emergency Stop Pushbutton	
F200233500	11
Extension	
F421938	39
Extension Arm Kit	
F746800	39
F746801	39
Extension Spring	
F310124	55
External Supply Connection Decal	
F230764-7	15
F230917-1	7
Extrusion Insert	
F150397	45

F

Face Seal	
F8162101	51

Flange Relay	
F330227	11, 15, 17
F330230	11, 15, 17
Frame Assembly	
F603330	47
F606219	47
Front Bearing Kit	
F798824-00	51
Front Panel	
F630356	45
Fuse	
F350104	13, 17
F350108	11, 15
F350109	11, 15
F350110	11, 15
F350115	15
Fuse Holder	
F0350312-10	15
F350304P	13, 17

G

Gasket	
F170158P	25
Gate Valve	
F380500	31
Glass	
F290203P	39
Glass Kit	
F290202P	39
Gravity Drain Valve	
803292	35
Grease Gun	
F210207P	69
Grease Gun Kit	
F798700	69
Ground Terminal Lug	
F140734	9, 13, 17

H

Harness Kit	
F141870P	11
Hex Bit	
F704906	67
Hose	
F200104P	31
Hose Adapter	
F421908	27, 29, 31
Hose Barb	
F421930	27, 31
F421951	31
Hose Clamp	
F200201	35
F200205	35
F200206	31
F200213	25, 35
F200215	35
F200222	31
36801	21, 23
Hose Connector	
F200302	13, 21, 23

Hot Surface Warning Decal	
F200085000	7
F231380	7
Hot Water Valve Decal	
F231367	7

I

Injection Nozzle	
F8322001	25
Injection Nozzle Kit	
F730168	25
Input Power Block	
F140746	9, 13, 17
F140747	65
Input Power Connector Decal	
F230677	9, 13
Insulator Bushing	
F140909	9, 13
Interlock Contactor	
F330186P	11, 15, 19
Interlock Switch	
F340900	41, 43, 53
Interlock Switch Spacer	
F601055	41, 43

K

Key	
F430801	49
F430802	55, 57
F430803	59
F430804	59
Keymode Decal	
F230678	13
Keymode Run/Program Switch	
F340800P	9
Keypad	
F370576P	15
Keypad Decal	
F230724P	11

L

Light	
F350411	17
F350412	9, 13, 17
F350413	17
F350414	9, 17
Lower Door Latch Bracket Casting	
F150202	39
Lower Door Latch Casting	
F150204	39

M

Magnet	
F8390801	43

N/A items do not appear in index.

Magnetic Switch Assembly	
F200321200	43
Main Drive Kit	
F380918	35
Momentary Switch	
F340412	11, 15, 17
Motor	
F220353	55
F220410P	57, 59
F220411	57
F220420	57, 59
F220421	57
F8330001P	55
F8330101P	55
F8353601P	55
Motor Bushing	
F280214	57
Motor Drip Shield	
F200216900	55, 57
F200280700	55
Motor Pulley	
F280128	59
F280160	59
F280281	55
Motor Pulley Bushing	
F280211P	59
F280212	59
Motor Support Bushing	
F200186100	55
Motor Support Rod	
F603897	55
Motor Switch	
F340001	9, 13, 17
F340002	9, 13, 17
Motor Switch Bracket	
F340704	9, 13, 17
Mounting Bracket	
F604214	17

N

Nipple	
F420101	27, 29, 31
F420103	27, 29, 31
F420105	27, 29
F420708	63
F420709	61
F420711	61, 63
F421949	27, 29, 31
No-Swivel Coupling	
F422109	39
Nut	
F430200	51
F430201	51
F430211	35, 41, 45
F430215	37, 43, 45, 61, 63, 65
F430231	13, 15, 17, 43, 65
F430232	43
F430240	49
F430264	45
F431002	39
F431005	35
F431021	43
F431022	11, 13, 17, 39
F431042	25

N/A items do not appear in index.

F8549401	39
H88412101	53
20274	37, 47, 53
70142	47
802292	25

O

O-Ring	
F0170221-00	33
F170200	39
F170205	51
F170208	25
F170215	25
Output Board CCA	
F370449P	15
F370450P	15
Output CCA	
F0370444-10P	11
F8321901P	11
Overflow Hose	
F150308	35
F150353	35
Overload Contactor	
F8344101P	11, 15, 19

P

Personal Injury Warning Decal	
F231065	7
Pipe Insulation	
F410300	61, 63
Plug	
F140527	9, 13
F200202600	61, 63
F420408	31
F420409	61, 63
Plug Cap	
F190304	25
Program Key	
F370709	9
Pulley	
F280173	49, 57
F280178	57
F280186P	55
F280236	57
Push Decal	
F230303	43
Push Handle Kit	
F746201-1	43

R

RC Network Filter	
F330217P	11, 15, 41, 43
Rear Bearing Kit	
F745010	51
Rear Panel	
F632347	45
Rebar Frame Template	
F604226	69

F604501	69
Relay	
F330203	17
Relay CCA	
F370413P	17
F370414P	17
F370437P	15, 17
F370438P	17
Repair Kit	
F380914P	27
Retainer Ring Spinning	
F320100	39
Ribbon Cable	
F140219P	11, 15
Right Door Box	
F601523	41
Ring Retainer	
F310206	39
Rocker Switch	
F340411	17
Rub Rail	
F150407	45

S

Screw	
F0430165-00	11
F0430272-00	67
F0430273-00	67
F0430274-00	67
F0430275-00	67
F430100	49
F430103	35, 39
F430116	47, 57, 59
F430124	53
F430136	51
F430137	51
F430168	39
F430502	41
F430518	37
F430900	53
F430903	9, 13, 17
F430909	43
F430910	65
F430916	9, 13, 17, 65
F430917	25, 39, 41, 43, 51
F430921	45
F430922	17
F430924	47
F430927	39, 49, 57
F430928	9, 15, 17
F430935	37, 61, 63
F430938	33, 65
F430948	21, 23
F430956	45
F430960	67
F430987	49
F430988	41
F430995	9, 13
F430996	43
F432234	45
F432259	67
F432260	67
70240301	45
800461	57, 59

Shaft Seal Alignment Fixture	
F0100312-00	69
Shaft Seal Sleeve	
F8312003P	37
F8312008P	37
Sheave Pulley	
F280172	49
Shell Assembly	
F634508	37
F634510	37
Shell Band Kit	
F741701	37
Shell Front	
F8058701	37
Shell Front Assembly	
F200119800	37
Shell Front Gasket Kit	
F792000	37
Shell Front Kit	
F741305	37
Shell Mounting Bracket	
F601806	37, 47
Shell Reinforcement Plate	
F601359	51
Shell Weldment	
F634510-1	37
Side Panel	
F632342	45
Signal Light	
F350404	13
Soap Dispenser Shroud Weldment	
F8024302	25
Solenoid Spacer	
F609728	43
Solenoid Valve	
F380700P	27
F380701P	27
Spanner Bit	
F704907	67
Spray Rinse Bracket Assembly	
F602901P	39
Spray Rinse Hose Kit	
F730025	39
Spray Rinse Nozzle Kit	
F730077	39
Spray Rinse Strap	
F602880	39
Spray Rinse Tube Assembly	
F603696-7	39
Squeeze Connector	
F140311	13
Steam Bracket Weldment	
F0635785-00	61, 63
Steam Filter	
F270307	61, 63
Steam Hose	
F200517	61, 63
Steam Injector Tube Assembly	
F8368201	61, 63
Steam Kit	
F635782	63
F635782-1	61

N/A items do not appear in index.

Steam Valve Repair Kit F380984P	61, 63
Strain Relief Adapter Kit F749802	25
Strain Relief Connector F140340P	25
Strainer F270200	21, 23
Street Elbow F420500	27, 29, 31
F420502	27, 29
Stud Weldment F630315	39
Supply Dispenser Hazard Caution Decal F231436	7, 25
Supply Dispenser Spacer F0150525-00	25
Switch F340901	41
Switch Extension F340913	41
Switch Mounting Bracket F604213	17
Swivel Coupling F422108	39

T

Tee F420400	27, 31
F420401	27, 29
Temperature Probe F370606P	65
Terminal Block M413865	65
Terminal Strip F140738	9, 13, 15, 17
This Machine Must Be Protected Decal F230301	7
Timer Cycle Indicator F150378	19
Timer Glass F150310	19
Top Latch Bracket Casting F150201P	39
Torx Bit 281P4	67
Transformer C000203	37
F360156P	61, 63
Trim F170400RP	25, 45
Triple Lip Seal F8203802	49
F8203805	49
Trunnion Kit F747002	49
F747004	49
Tube Connector F422106	27, 29
Tubing F422404P	9, 17

U

U-Bolt Clamp F200401P	27, 29, 31, 61, 63
--------------------------------	--------------------

V

Vacuum Breaker Cap F0380808-00	33
Vacuum Breaker Kit F0798922-00	33
Vacuum Breaker Valve F063754701P	27, 29, 33
Valve F380780P	27
F8322801P	61, 63
F8322803P	29, 31
F8322806	29, 31
F8322806P	29, 31
Valve Kit F8379501P	61, 63
Valve Repair Kit F380993P	29, 31
Valve Transition Kit F8456201P	29, 31
Valve, 4-Way F380715P	21
F380725P	21
F381723P	23
F381724P	23

W

Washer F0431159-00	49, 57
F430300	57, 59
F430311	9, 13, 17, 65
F430317	37, 45
F430327	51
F431100	39, 43, 45
F431104	43
F431113	9, 13, 17
F431118	39
F431131	49
F431142	43
F431147	25, 35
F8195301	25
M400014	35, 47, 53, 57, 59
M400081	37, 47, 53, 57, 59
20290	27, 29, 31
803615	27, 29, 31
901690	55
Water Hose F200108P	31
F200110P	21, 23
F200164	27, 29, 31
F200166	27, 29, 31
F200199P	27
Water Level Switch F0340345-10P	9, 13
Water Level Switch Bracket F630242	9, 13, 17

N/A items do not appear in index.

Water Valve Assembly Decal F230754	21
WE-6 Computer F370534-00P	11

Y

Y Connector F422816	21, 23
------------------------------	--------
