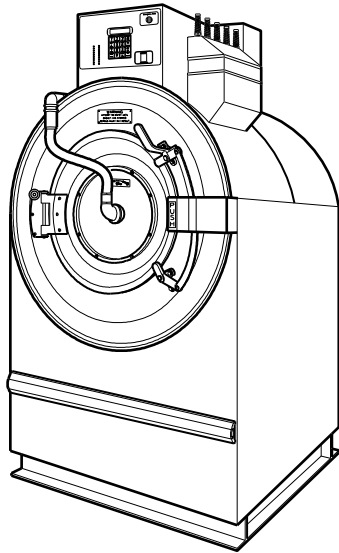


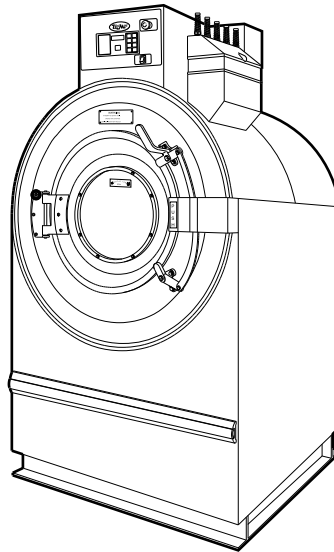
# Washer-Extractor

Pocket Hardmount

Refer to Page 3 for Model Numbers



Models UW35P2 and UW35P3



Model UW35B2

PHM1403C\_F232165



# Table of Contents

Title	Page
Parts Ordering Information.....	2
Serial Plate Location .....	2
Model Identification .....	3
Pocket Hardmount Washer-Extractor Product Overview .....	4
Decals .....	6
Control Module - Models UW35P2 and UW35P3 (Drawing 1 of 4).....	8
Control Module - Models UW35P2 and UW35P3 (Drawing 2 of 4).....	10
Control Module - Models UW35P2 and UW35P3 (Drawing 3 of 4).....	12
Control Module - Models UW35P2 and UW35P3 (Drawing 4 of 4).....	14
Control Module - Model UW35B2 (Drawing 1 of 3).....	16
Control Module - Model UW35B2 (Drawing 2 of 3).....	18
Control Module - Model UW35B2 (Drawing 3 of 3).....	20
Supply Dispenser.....	22
Spray Plumbing - Design 5 UW35P2 and UW35P3 Models .....	24
Spray Plumbing - Design 7 and 8 UW35P2 and UW35P3 Models .....	26
Fill Plumbing - Design 5 UW35P2 and UW35P3 Models Through 3/02 .....	28
Fill Plumbing - Design 5 UW35P2 and UW35P3 Models Starting 4/02 .....	30
Fill Plumbing - Design 7 and 8 Models .....	32
Drain Valve and Hoses .....	34
Basket and Shell .....	36
Door and Spray Rinse.....	38
Door Box .....	40
Panels .....	42
Frame.....	44
Pulley and Trunnion Assembly .....	46
Motor - Models UW35B2 and UW35P2 .....	48
Motor - Model UW35P3 .....	50
Steam Heat Option and Transformer.....	52
Electric Heat Option .....	54
Security Fasteners .....	56
Special Tools .....	58
Parts Index.....	61

© Copyright 2014, Alliance Laundry Systems LLC

All rights reserved. No part of the contents of this book may be reproduced or transmitted in any form or by any means without the expressed written consent of the publisher.

# Parts Ordering Information

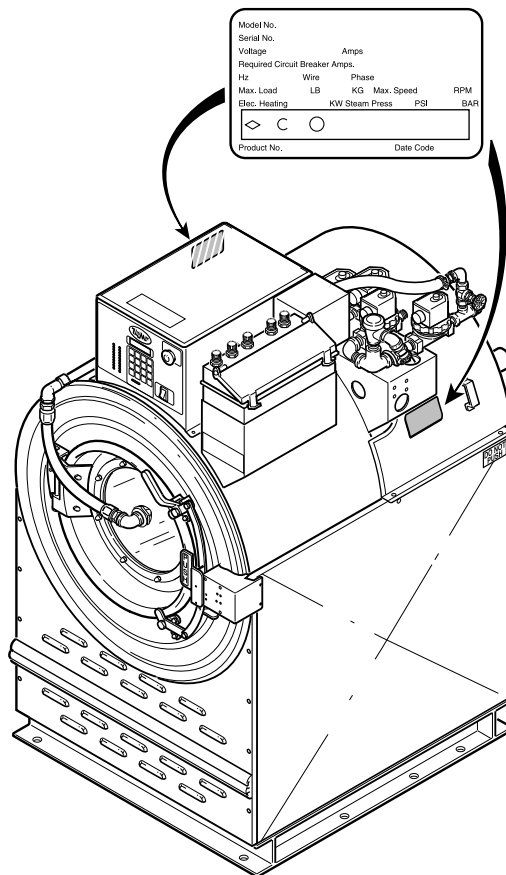
If literature or replacement parts are required, contact the source from whom the machine was purchased or contact Alliance Laundry Systems at (920) 748-3950 for the name and address of the nearest authorized parts distributor.

For technical assistance, call either of the numbers listed below:

(920) 748-3121 Ripon, Wisconsin  
+32 56 41 20 54 Wevelgem, Belgium

# Serial Plate Location

When calling or writing about your product, be sure to mention model and serial numbers. Model and serial numbers are located on serial plate(s) as shown.



PHM2484P\_F232165

## Model Identification

Information in this manual is applicable to these washer-extractor models:

UW35B2

UW35P2

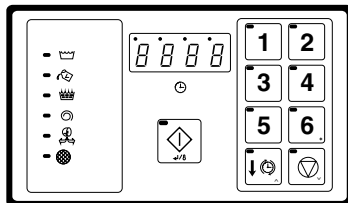
UW35P3

**NOTE:** This manual applies to models with 5, 7 or 8 in the 9th position in the model number (e.g. UW35P2OU50001)

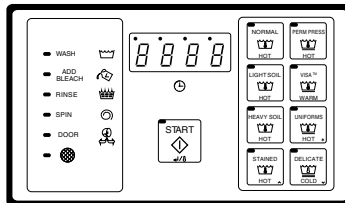
# Pocket Hardmount Washer-Extractor Product Overview

Model No. UW60AMXUB0001  
 Serial No. 00000000000  
 Voltage 200 – 240 Amps 10  
 Circuit Breaker 15 Amps  
 Hz 50 – 60 Wire 2/3 Phase S 3  
 Max. Load 60 LB 27 KG Max. Speed 594 RPM  
 Elec. Heating N/A Steam Press. N/A PSI 0.0 BAR

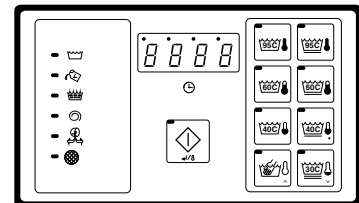
**Drawings:**  
 ETL Listed  
 Conforms To ANSI/UL Std. 1206, 3rd Ed  
 Certified To CAN/CSA Std. C22.2 No.53-1968



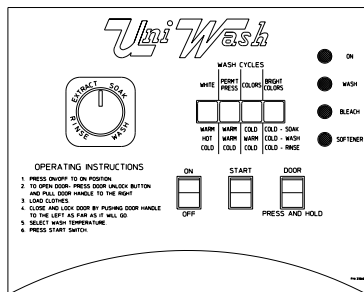
A-Control



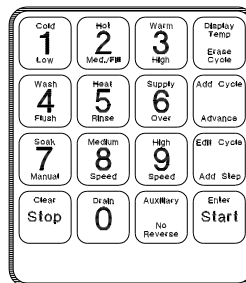
B-Control (Domestic)



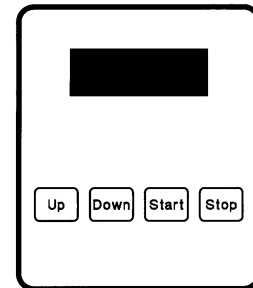
B-Control (International)



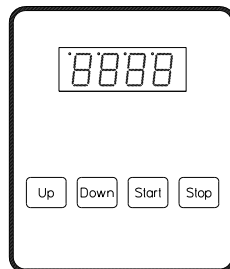
Mechanical Timer



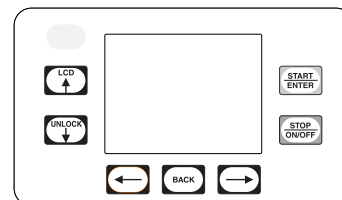
WE-6 Control



S-Computer



V-Computer



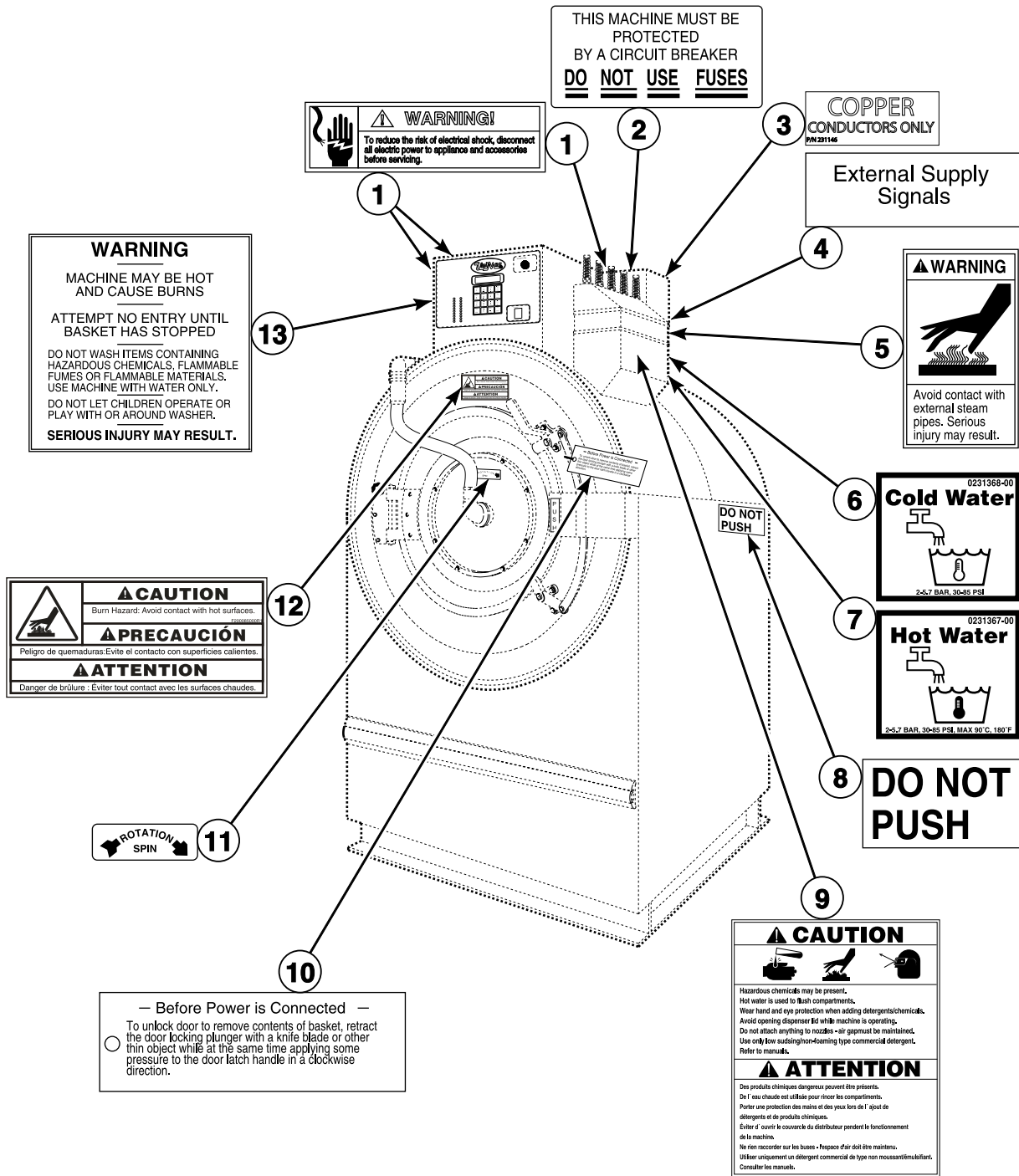
UniLinc Control

PHM2979P\_F232165

# Pocket Hardmount Washer-Extractor Product Overview

REF	PART NO.	DESCRIPTION	COMMENTS
1	-	Product Family	UW
2	-	Capacity (Pounds)	35 60 80 100 125 150
3	-	Control	A (A-Control) B (B-Control) M (Mechanical Timer) P (WE-6 Control) S (S-Computer) V (V-Computer) T (UniLinc Control)
4	-	Speed	2 (2-Speed) 3 (3-Speed) 4 (4-Speed) V (Variable-Speed)
5	-	Voltage	F (440-480/60/3/3) N (440-480/50-60/3/3) O (208-240/60/3/3) P (380-415/60-60/3/3) Q (200-208/220-240/50/60/3ph) R (380-415/440-480/50/60/3ph) X (200-220/220-240/50/60/1-3) Y (208-240/60/1/2)
6	-	OEM	U (Standard Specs)
7	-	Design Series	1-8

# Decals



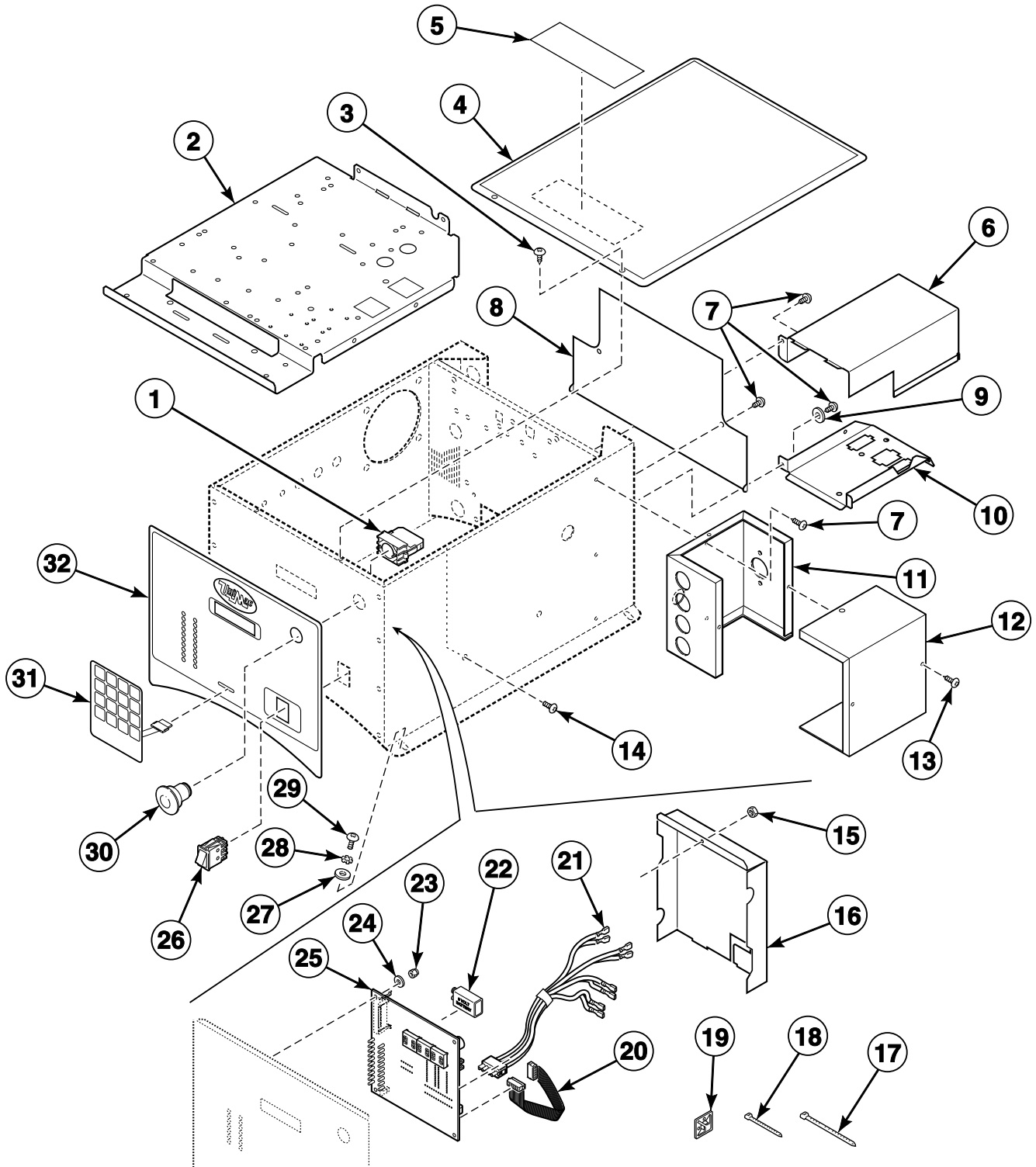
PHM2894P\_F232165



# Decals

REF	PART NO.	DESCRIPTION	COMMENTS
1	505281	Disconnect Power Warning Label	
2	F230301	This Machine Must Be Protected Decal	
3	F231146	Conductor Decal	
4	F230917-1	External Supply Connection Decal	
5	F231380	Hot Surface Warning Decal	
6	F231368	Cold Water Valve Decal	
7	F231367	Hot Water Valve Decal	
8	F230302	Do Not Push Decal	
9	F231436	Supply Dispenser Hazard Caution Decal	
10	F230501	Before Power Is Connected Tag	
11	F230652	Clockwise Spin Rotation Decal	
12	F200085000	Hot Surface Warning Decal	
13	F231065	Personal Injury Warning Decal	

# Control Module - Models UW35P2 and UW35P3 (Drawing 1 of 4)



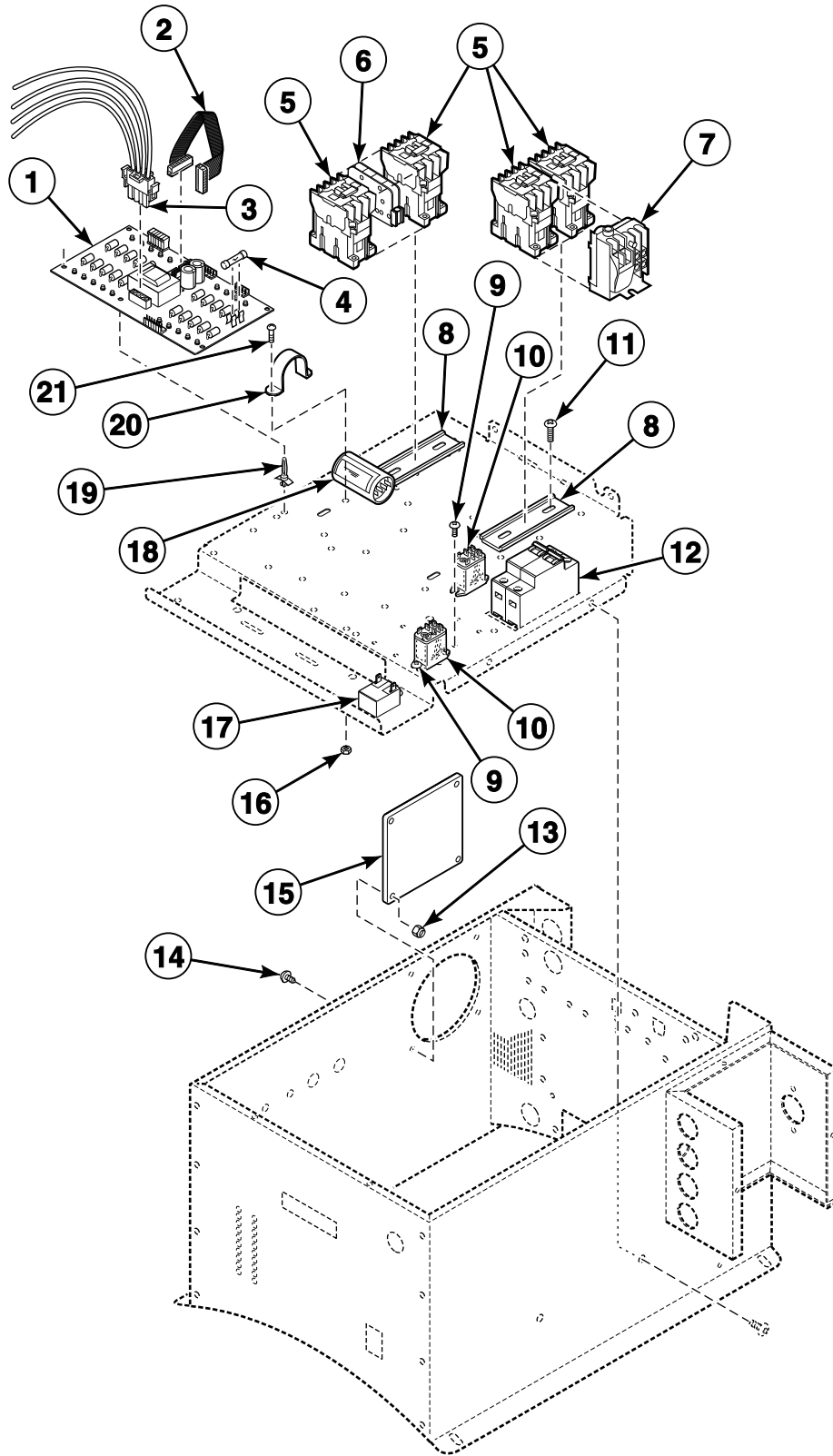
PHM2469P\_F232165

## Control Module - Models UW35P2 and UW35P3 (Drawing 1 of 4)

REF	PART NO.	DESCRIPTION	COMMENTS
1	F340445	Contact Block Switch	800E-series; Models through 9/30/07
	F200233401	Contact Block Switch	800F-series; Models starting 10/1/07; Includes F8069501 Contact Switch and F8538101 Contact Base
	F8069501	Contact Switch	Models starting 10/1/07
	F8538101	Contact Base	Models starting 10/1/07
2	N/A	Control Mounting Panel Assembly	
3	70240301	Screw	
4	F635456	Control Module Cover	
5	505281	Disconnect Power Warning Label	
6	F635478	Cable Tray Cover	
7	F430917	Screw	
8	F635448	Electrical Access Panel	Design 5 models
	F0637549-00	Electrical Access Panel	Design 7 and 8 models
9	F431113	Washer	
10	F635615-1	Cable Tray Assembly	
11	F635468	External Supply Box	
12	F633435	External Supply Box Cover	
13	F430174	Screw	
14	F430928	Screw	
15	F431000	Nut	
16	F606826	Computer Cover	
17	F140606	Cable Tie	15 inch
18	F140605	Cable Tie	6 inch
19	F140602	Tie Wrap Mounting Clamp	
20	F140219P	Ribbon Cable	26 pin; 15 inch; Connects microcomputer to output cca
21	F0141930-00	Computer Input Harness	
22	F191101	Battery	9 Volt; Backup
23	F430231	Nut	
24	F431125	Washer	
25	F370534-00P	WE-6 Computer	Standard cycles
26	F340412	Momentary Switch	Models through 5/26/04
	F200120100	Momentary Switch	Models starting 5/27/04
27	F431123	Washer	
28	F431108	Washer	
29	F8136401	Screw	
30	N/A	Emergency Stop Pushbutton	800E-series; Models through 9/30/07
	F200233700P	Emergency Stop Button Kit	Used to convert from 800E-series to 800F-series; Includes F200233401 Contact Block Switch and F200233500 Emergency Stop Pushbutton
	F200233500	Emergency Stop Pushbutton	800F-series; Models starting 10/1/07
31	F230724P	Keypad Decal	
32	F231562	Control Module Decal	

N/A = Part no longer available

# Control Module - Models UW35P2 and UW35P3 (Drawing 2 of 4)

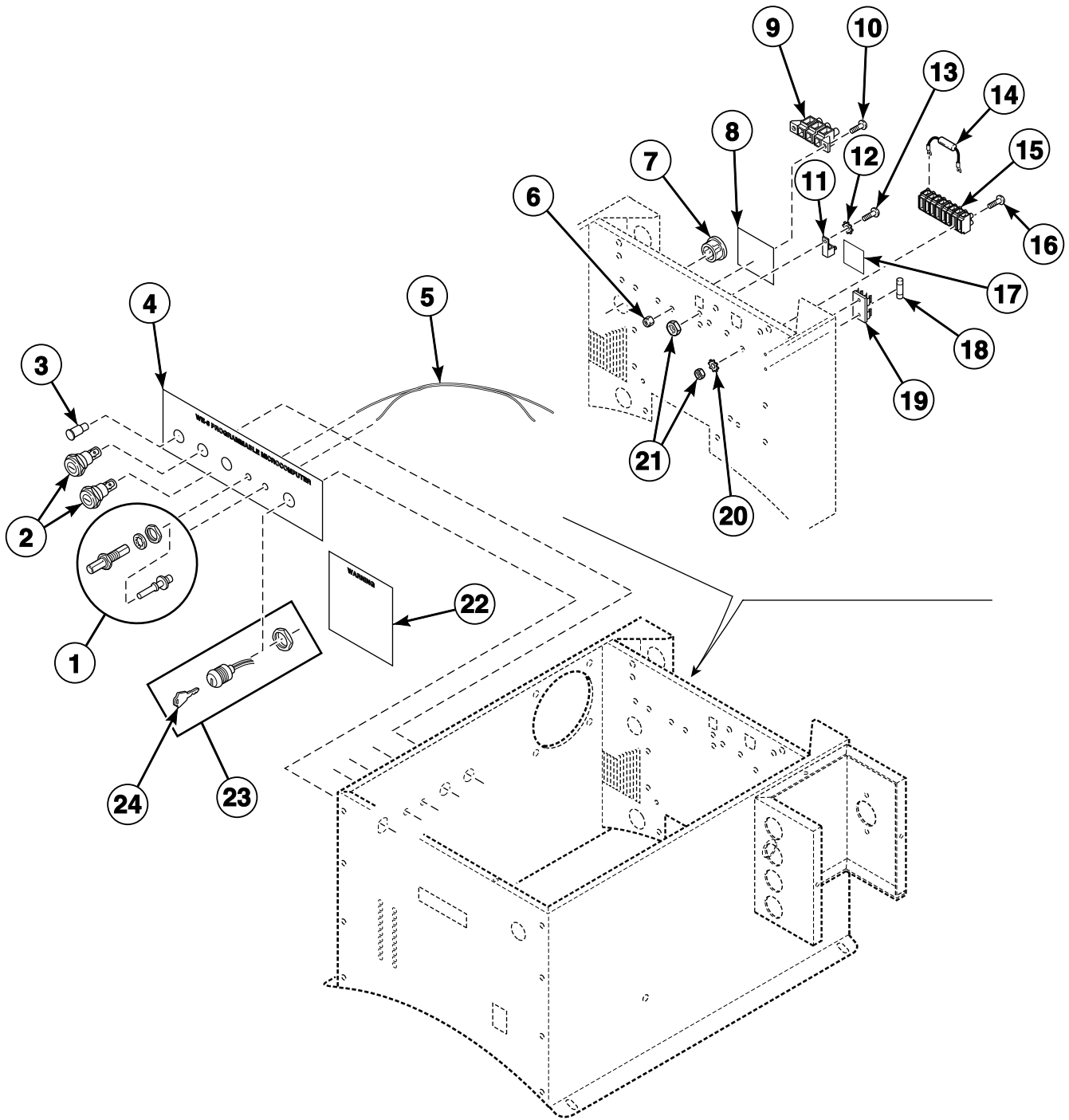


PHM2139P\_F232165

## Control Module - Models UW35P2 and UW35P3 (Drawing 2 of 4)

REF	PART NO.	DESCRIPTION	COMMENTS
1	F8321901P	Output CCA	
2	F140219P	Ribbon Cable	26 pin; 15 inch; Connects microcomputer to output cca
3	F784003P	Jumper Kit	
4	F350110	Fuse	1 Amp; Slo blo
	F350109	Fuse	1/2 Amp; Fast blo
	F350108	Fuse	1/8 Amp; Slo blo
5	F330177P	Contacto	C16
6	F330186P	Interlock Contacto	100-MCA00
7	F8344101P	Overload Contacto	1 Phase
8	F602595-5	DIN Contacto Mounting Rail	
9	F430928	Screw	
10	F330230	Flange Relay	220 Volt
11	F430903	Screw	
12	F350217	Circuit Breaker	F-voltage
13	F430231	Nut	
14	F430910	Screw	
15	F220900	Filter Retainer Guard	
16	F430232	Nut	1 Phase
17	F300206	Buzzer	220 Volt
18	F340002	Motor Switch	1 Phase
19	F180506	Standoff	
20	F340704	Motor Switch Bracket	1 Phase
21	F430903	Screw	1 Phase

# Control Module - Models UW35P2 and UW35P3 (Drawing 3 of 4)

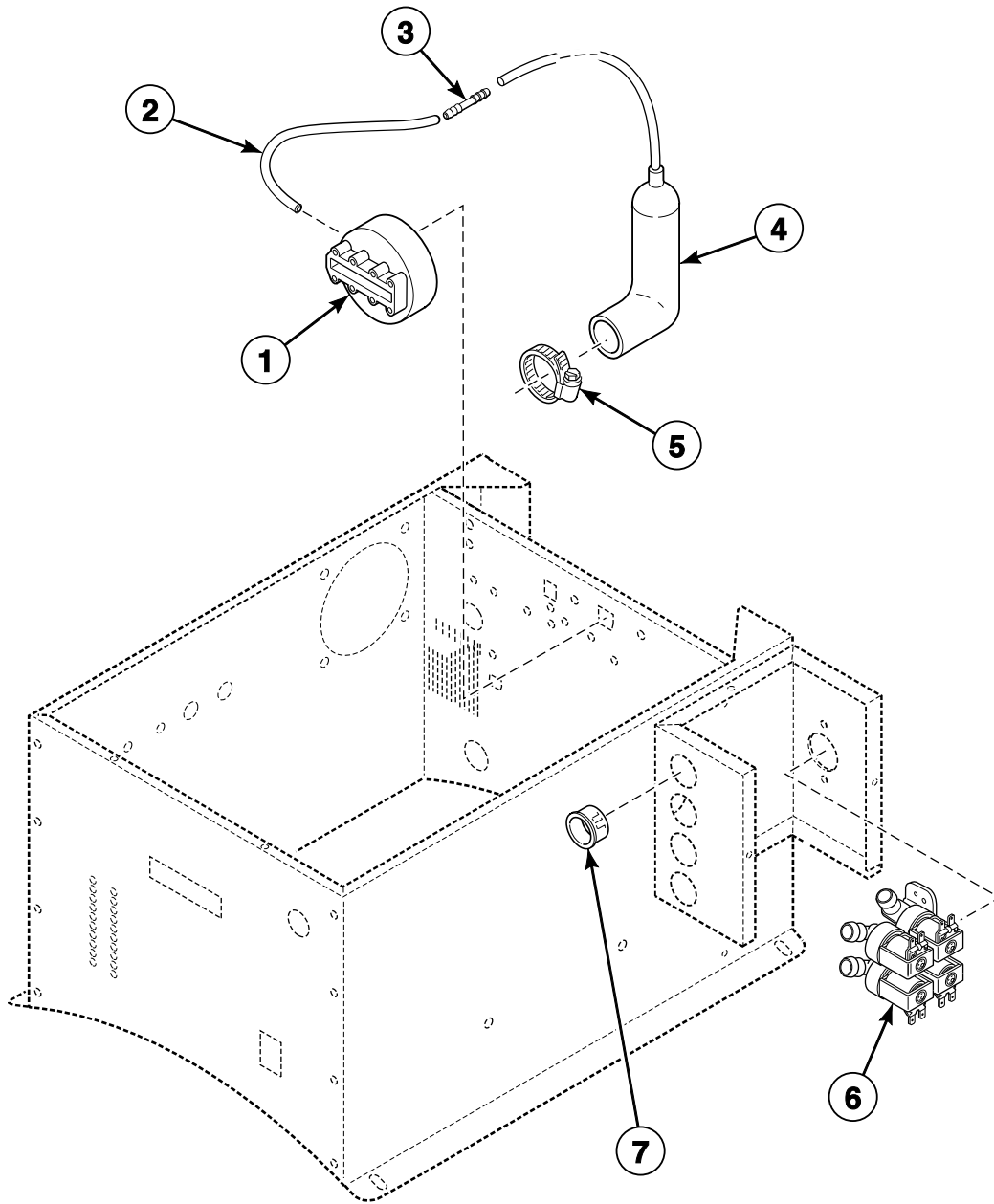


PHM2548P\_F232165

## Control Module - Models UW35P2 and UW35P3 (Drawing 3 of 4)

REF	PART NO.	DESCRIPTION	COMMENTS
1	F140575P	Connector	Gray
	F140576P	Connector	Blue
2	F0350313-00P	Fuse Holder	Models starting 5/12/03
	F350142	Fuse	Models starting 5/12/03; 2 Amp; Slo blo
	F350218	Circuit Breaker	Models through 5/11/03; 1 Amp; Fast blo
3	F350404	Signal Light	Red; 220 Volt
4	F0231632-01	Switch Mode Decal	Models starting 5/12/03
	F231581	Switch Mode Decal	Models through 5/11/03
5	F604713	Cable Assembly	
6	F431022	Nut	
7	F140909	Insulator Bushing	
8	F0231636-00	Input Block Decal	
9	F140794-1	Input Power Block	
10	F430938	Screw	
11	F140734	Ground Terminal Lug	
12	F431106	Washer	
13	F430903	Screw	
14	F370116	Resistor	12k; 5w
15	F140776	Terminal Block	8 place
16	F430910	Screw	
17	F230630	Ground Decal	
18	F350115	Fuse	3 Amp; Fast blo
19	F0350312-10	Fuse Holder	
20	F431108	Washer	
21	F431000	Nut	
22	F231065	Personal Injury Warning Decal	
23	F340800P	Keymode Run/Program Switch	Includes item 24
24	F370709	Program Key	A153

# Control Module - Models UW35P2 and UW35P3 (Drawing 4 of 4)



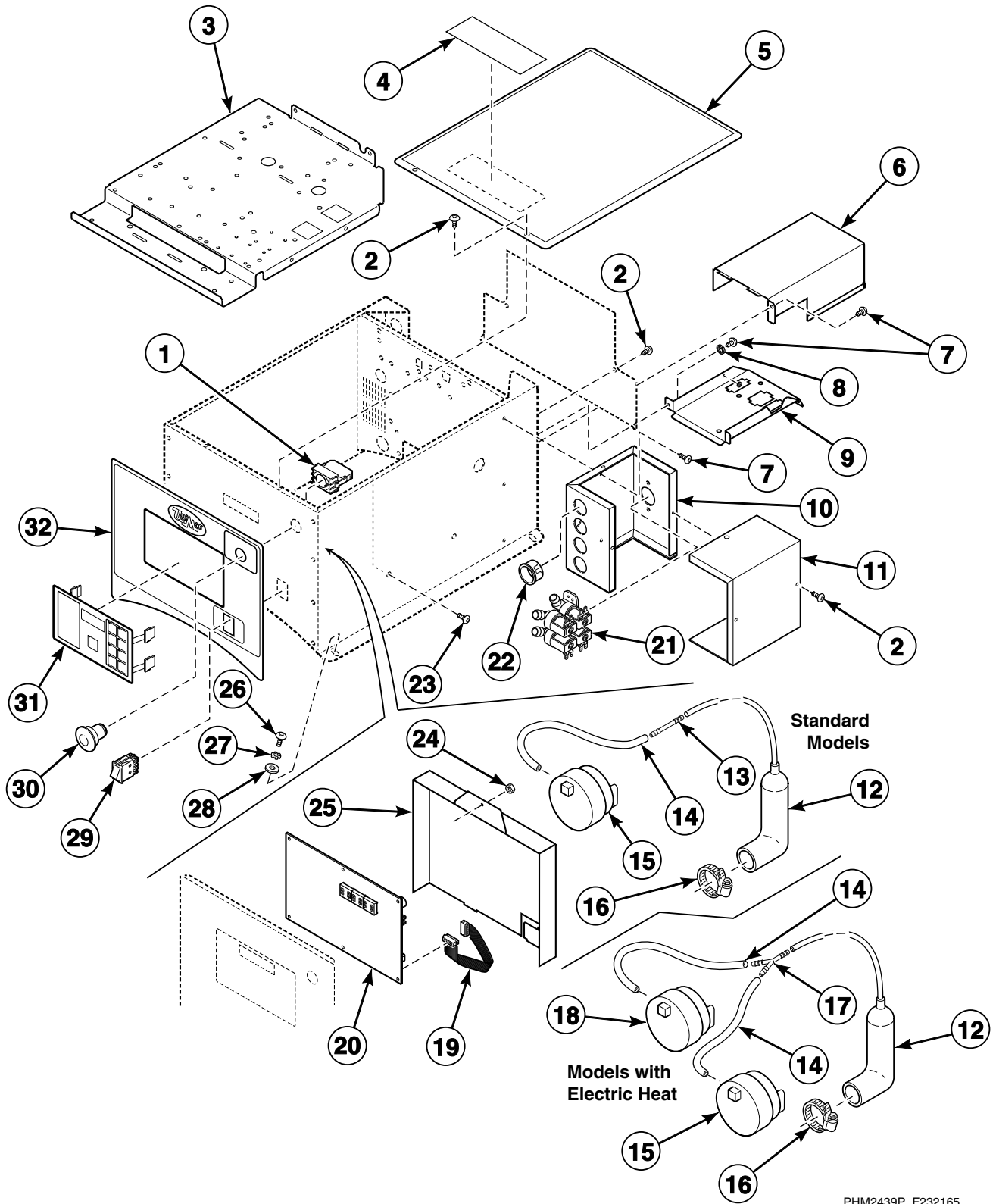
PHM2061P\_F232165



## Control Module - Models UW35P2 and UW35P3 (Drawing 4 of 4)

REF	PART NO.	DESCRIPTION	COMMENTS
1	F0340345-10P	Water Level Switch	
2	F422404P	Tubing	
3	F422500	Connector	
4	F020014200	Air Trap Hose	
5	F200215	Hose Clamp	No. 28
6	F381723P	4-Way Valve	220 Volt
	G582P3	Diaphragm and Guide Kit	
7	F140938	Snap Bushing	

# Control Module - Model UW35B2 (Drawing 1 of 3)



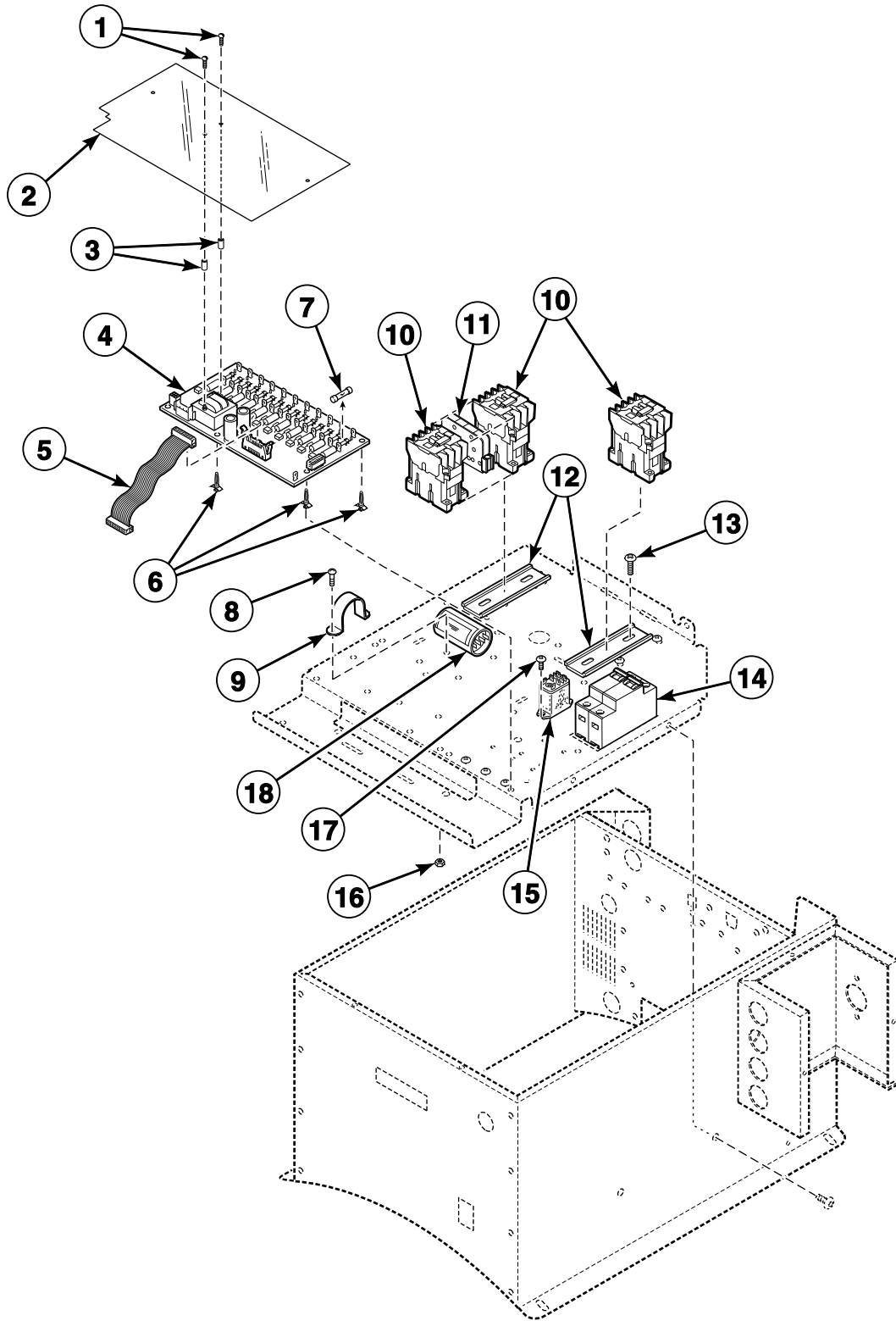
PHM2439P\_F232165

## Control Module - Model UW35B2 (Drawing 1 of 3)

REF	PART NO.	DESCRIPTION	COMMENTS
1	F340445	Contact Block Switch	800E-series; Models through 9/30/07; Includes F200299500 Contact Block Switch
	F200299500	Contact Block Switch	800E-series
	F200233401	Contact Block Switch	800F-series; Models starting 10/1/07; Includes F8069501 Contact Switch and F8538101 Contact Base
	F8069501	Contact Switch	Models starting 10/1/07
	F8538101	Contact Base	Models starting 10/1/07
2	70240301	Screw	
3	N/A	Control Mounting Panel Assembly	
4	505281	Disconnect Power Warning Label	
5	F635456	Control Module Cover	
6	F635478	Cable Tray Cover	
7	F430917	Screw	
8	F431113	Washer	
9	F635615-1	Cable Tray Assembly	
10	F635468	External Supply Box	
11	F635365	External Supply Box Cover	
12	F020014200	Air Trap Hose	
13	F422500	Connector	
14	F422404P	Tubing	
15	F0340345-10P	Water Level Switch	3 level
16	F200215	Hose Clamp	No. 28
17	F422806	Tee	
18	F8223001P	Water Pressure Switch	1 level
19	F140247	Ribbon Cable	26 pin; 8 inch
20	F0370455-20P	Computer	
21	F381723P	4-Way Valve	
	G582P3	Diaphragm and Guide Kit	
22	F140938	Snap Bushing	
23	F430928	Screw	
24	F431000	Nut	
25	F0636887-00	Control Cover	
26	201415	Screw	
27	F431108	Washer	
28	F431123	Washer	
29	F340412	Momentary Switch	Models through 5/26/04
	F200120100	Momentary Switch	Models starting 5/27/04
30	N/A	Emergency Stop Pushbutton	800E-series; Models through 9/30/07
	F200233700P	Emergency Stop Button Kit	Used to convert from 800E-series to 800F-series; Includes F200233401 Contact Block Switch and F200233500 Emergency Stop Pushbutton
	F200233500	Emergency Stop Pushbutton	800F-series; Models starting 10/1/07
31	F0231582-01P	Keypad	
32	F0231565-00	Control Module Decal	

**N/A = Part no longer available**

# Control Module - Model UW35B2 (Drawing 2 of 3)

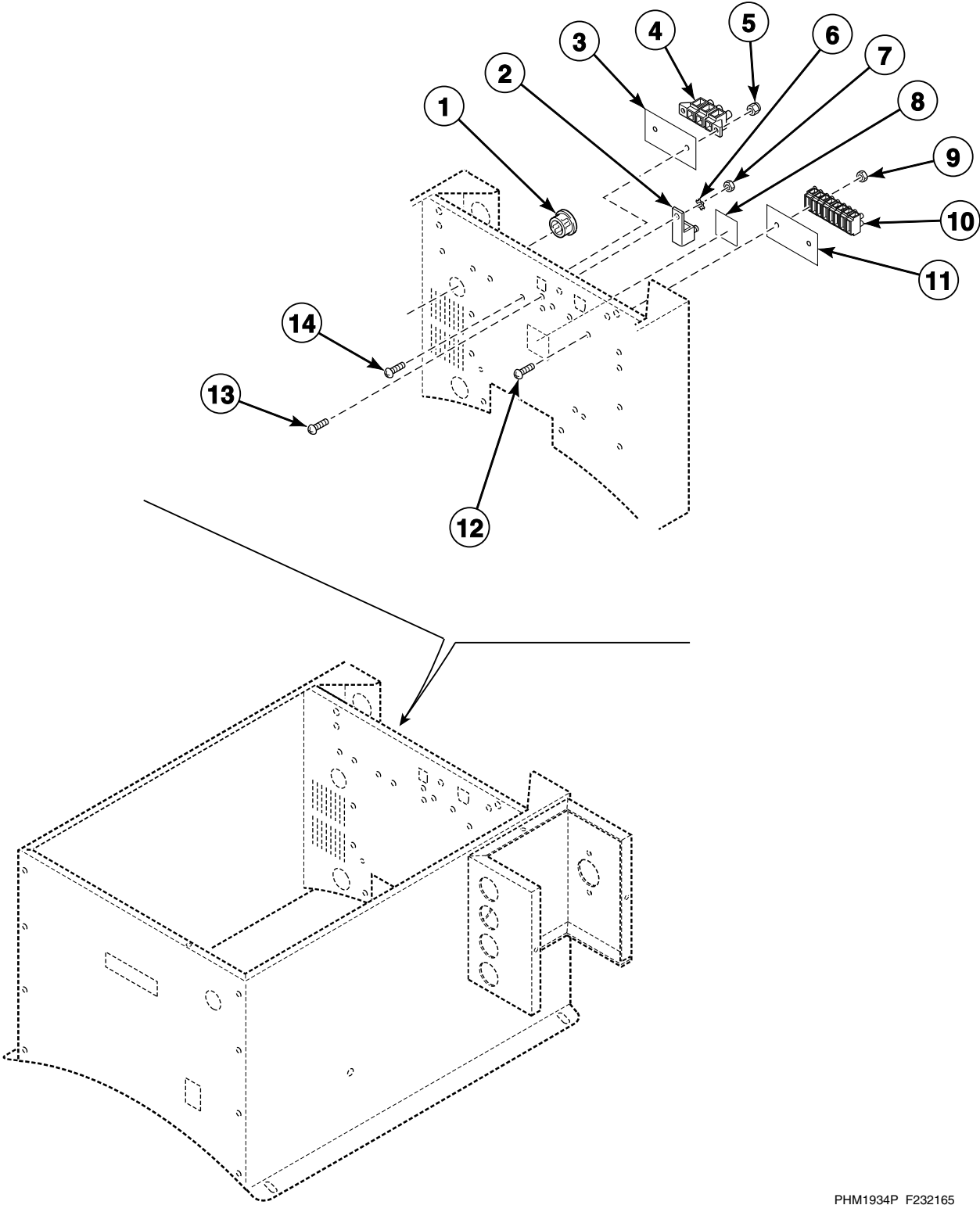


PHM2122P\_F232165

## Control Module - Model UW35B2 (Drawing 2 of 3)

REF	PART NO.	DESCRIPTION	COMMENTS
	F200296000P	Computer and Door Lock Harness	
1	F431702	Screw	
2	F0170427-00	Output Board Cover	
3	F431806	Nut	
4	F037044860-2	Output CCA	
5	F140247	Ribbon Cable	26 pin; 8 inch
6	F180501	Standoff	
7	F350145	Fuse	1.6 Amp; Slo blo
	F350109	Fuse	1/2 Amp; Fast blo
	F350108	Fuse	1/8 Amp; Slo blo
8	F430903	Screw	1 Phase
9	F0340722-00	Switch Clamp	1 Phase
10	F330177P	Contactor	
11	F330186P	Interlock Contactor	
12	F602595-5	DIN Contactor Mounting Rail	
13	F430903	Screw	
14	F8303001P	Circuit Breaker	F-voltage
15	F330230	Flange Relay	
16	F430232	Nut	1 Phase
17	F430928	Screw	
18	F340002	Motor Switch	1 Phase

# Control Module - Model UW35B2 (Drawing 3 of 3)

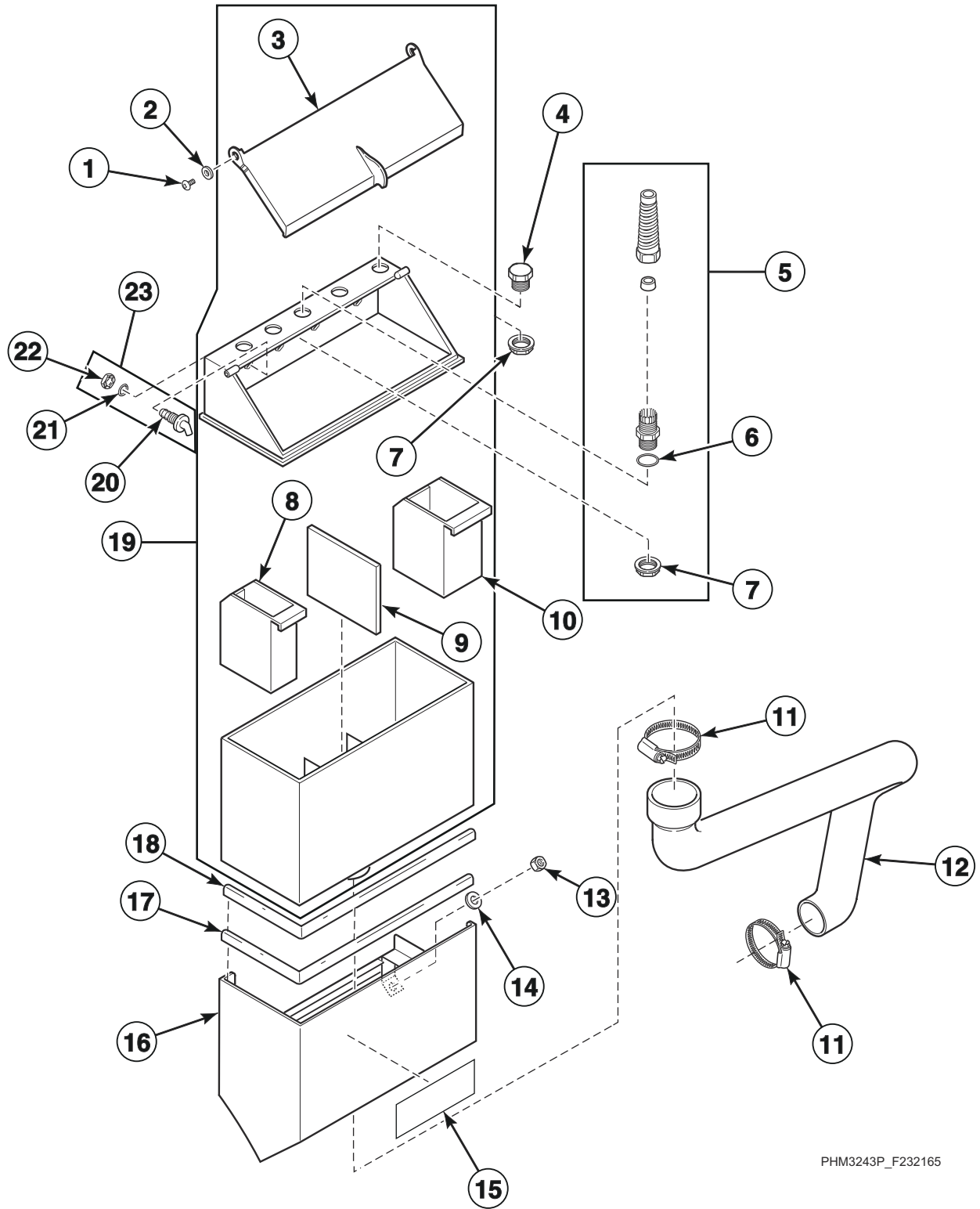


PHM1934P\_F232165

## Control Module - Model UW35B2 (Drawing 3 of 3)

REF	PART NO.	DESCRIPTION	COMMENTS
1	F140909	Insulator Bushing	
2	F140734	Ground Terminal Lug	
3	F231437	Input Power Decal	
4	F140794-1	Input Power Block	
5	F430231	Nut	
6	F431106	Washer	
7	F431000	Nut	
8	F230630	Ground Decal	
9	F430231	Nut	
10	F140776	Terminal Block	
11	F230764-11	External Supply Connection Decal	O-voltage
	F230764-12	External Supply Connection Decal	F-voltage
12	F430910	Screw	
13	F430995	Screw	
14	F430920	Screw	

# Supply Dispenser



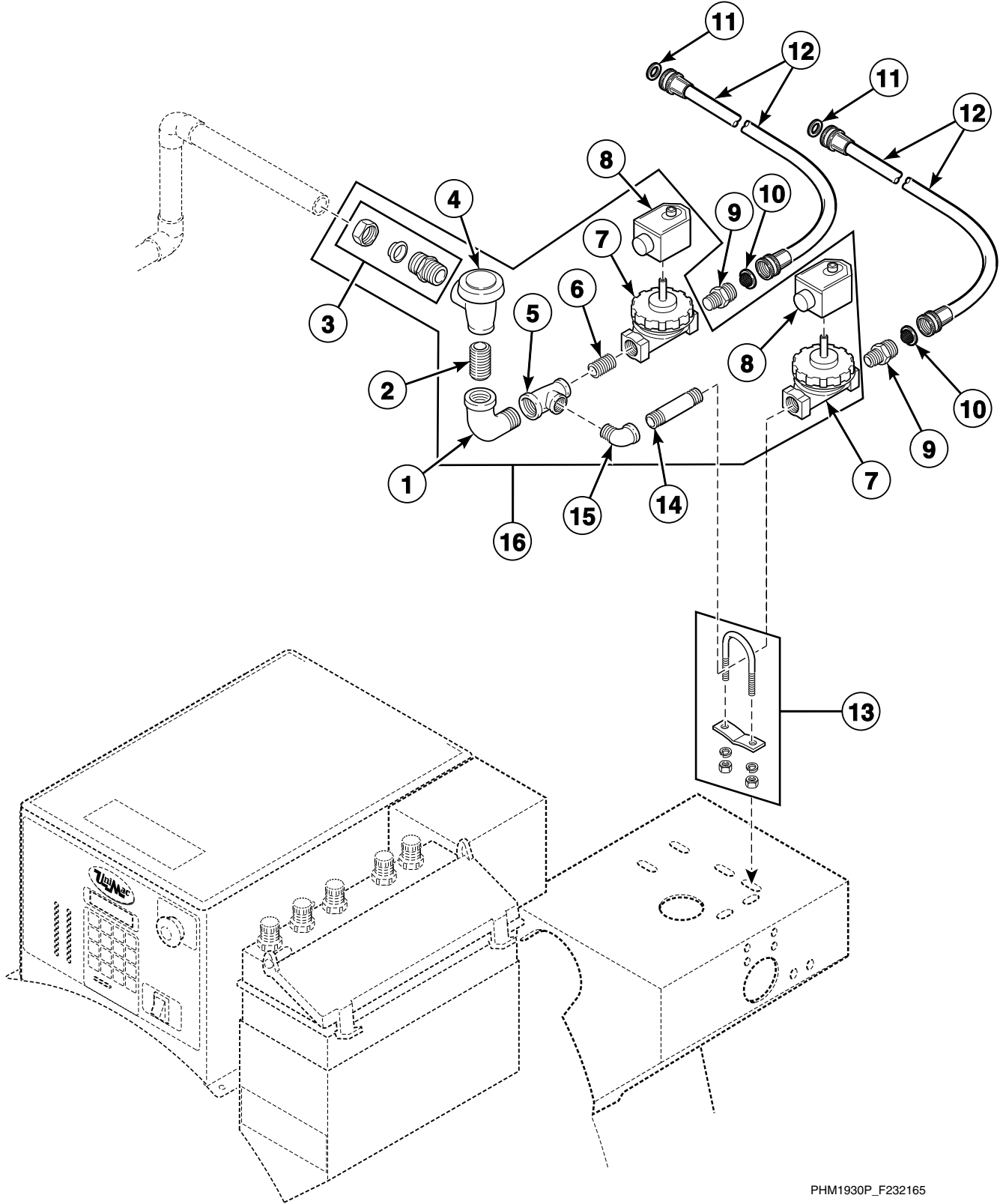
PHM3243P\_F232165



# Supply Dispenser

REF	PART NO.	DESCRIPTION	COMMENTS
1	F430917	Screw	
2	F8195301	Washer	
3	F0150514-00	Dispenser Lid	
4	F190304	Plug Cap	
5	F749802	Strain Relief Adapter Kit	Includes items 6 and 7
6	F170215	O-Ring	
7	F140340P	Strain Relief Connector	Includes F0431160-00 Nut and F140340 Strain Relief Connector
8	F150385	Chemical Supply Cup	20 ounce; 3 used
9	F0150525-00	Supply Dispenser Spacer	
10	F150386	Chemical Supply Cup	32 ounce; 2 used
11	F200213	Hose Clamp	No. 40
12	F150478	Chemical Supply Hose	
13	F431042	Nut	Loctite 262 required for installation
14	F431147	Washer	
15	F231436	Supply Dispenser Hazard Caution Decal	
16	F8024302	Soap Dispenser Shroud Weldment	
17	F170158P	Gasket	
18	F170400RP	Trim	
19	F0150512-00P	Dispenser Assembly	Includes items 3 and 8-10
20	F8322001	Injection Nozzle	
21	F170208	O-Ring	
22	802292	Nut	
23	F730168	Injection Nozzle Kit	Includes items 20-22

# Spray Plumbing - Design 5 UW35P2 and UW35P3 Models

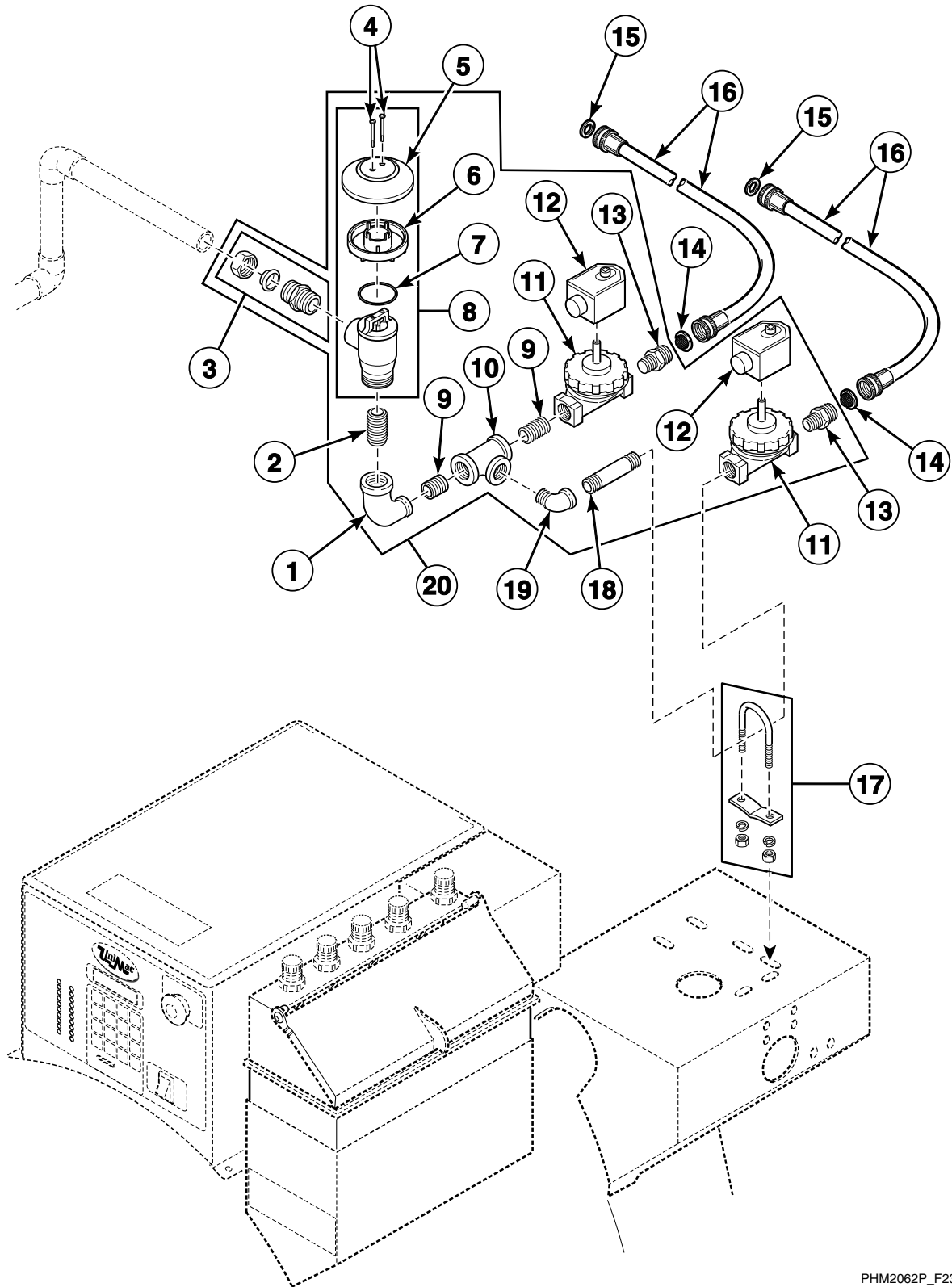


PHM1930P\_F232165

## Spray Plumbing - Design 5 UW35P2 and UW35P3 Models

REF	PART NO.	DESCRIPTION	COMMENTS
	F141901P	DIN Harness Assembly	Use with F381703P Valve
	F8382301	DIN Valve Adapter Kit	Use with F8322803 Valve
	F8456201P	Valve Transition Kit	Use with F8322803 Valve
<b>1</b>	F420502	Street Elbow	
<b>2</b>	F420105	Nipple	
<b>3</b>	F422106	Tube Connector	
<b>4</b>	F063754701P	Vacuum Breaker Valve	3/4 inch; F380965P Repair Kit
<b>5</b>	F420401	Tee	
<b>6</b>	F420101	Nipple	
<b>7</b>	F8322803P	Valve	Replaces F381703P Valve; Includes F8322803 Valve, F8382301 DIN Valve Adapter Kit and F8514601 Coil
<b>8</b>	F380987P	DIN Coil	220 Volt; Use with F381703P Valve
	F8514601	Coil	Use with F8322803 Valve
<b>9</b>	F421908	Hose Adapter	Standard thread
	F421949	Nipple	Metric thread
<b>10</b>	803615	Washer	
<b>11</b>	20290	Washer	
<b>12</b>	F200164	Water Hose	Standard thread
	F200166	Water Hose	Metric thread
<b>13</b>	F200401P	U-Bolt Clamp	Includes hardware
<b>14</b>	F420103	Nipple	
<b>15</b>	F420500	Street Elbow	
<b>16</b>	F633150-1	Spray Plumbing Assembly	220 Volt; Includes items 1-9, 14 and 15
	F633150-5	Spray Plumbing Assembly	220 Volt; Metric thread; Includes items 1-9, 14 and 15

# Spray Plumbing - Design 7 and 8 UW35P2 and UW35P3 Models

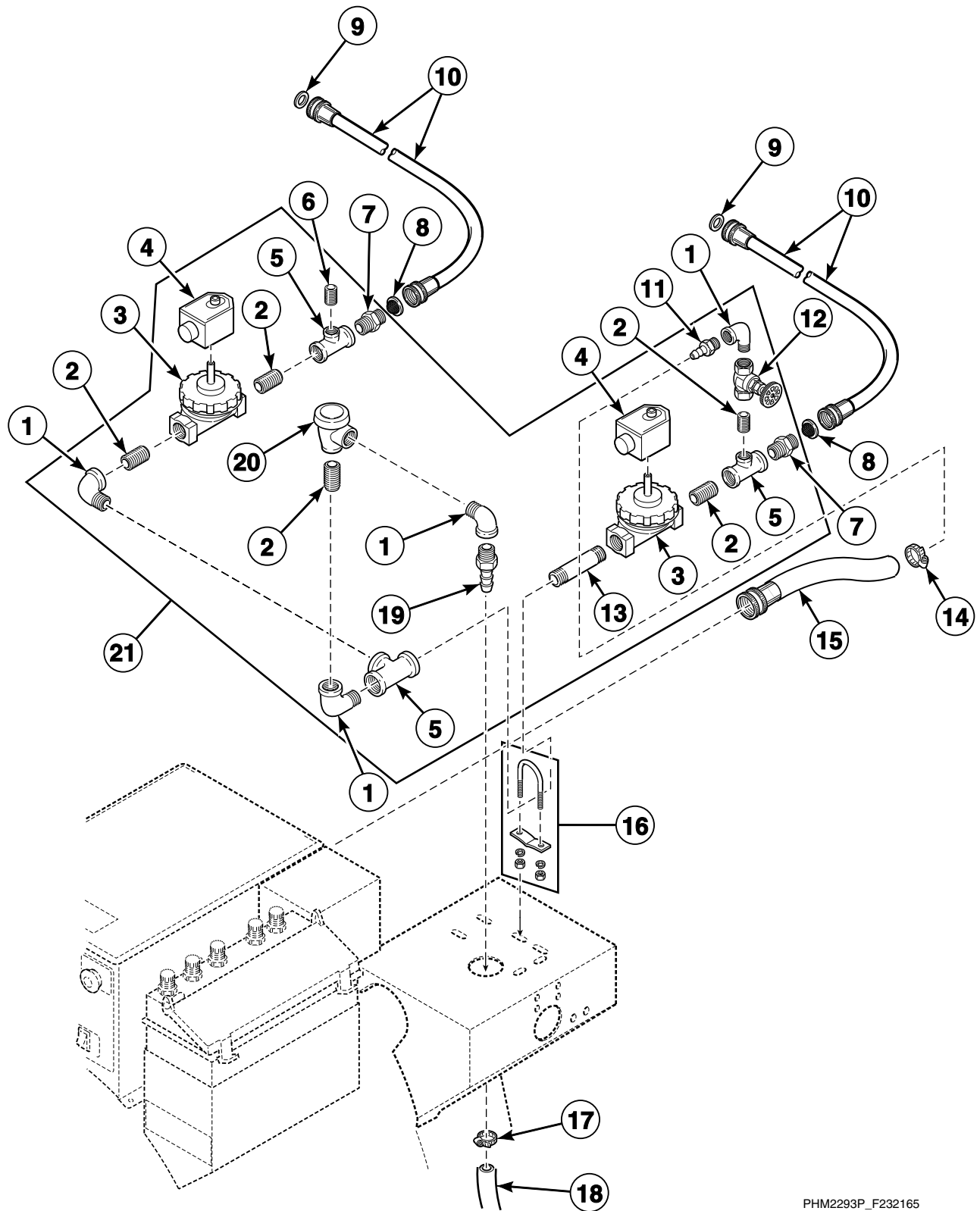


PHM2062P\_F232165

# Spray Plumbing - Design 7 and 8 UW35P2 and UW35P3 Models

REF	PART NO.	DESCRIPTION	COMMENTS
	F141901P	DIN Harness Assembly	Use with F381703P Valve
	F8382301	DIN Valve Adapter Kit	Use with F8322803 Valve
	F8456201P	Valve Transition Kit	Use with F8322803 Valve
1	F0422918-00	Elbow	
2	F420105	Nipple	
3	F422106	Tube Connector	
4	F430938	Screw	
5	F0380808-00	Vacuum Breaker Cap	
6	F0380809-00	Containment Device	
7	F0170221-00	O-Ring	
8	F063754701P	Vacuum Breaker Valve	3/4 inch; Includes items 4-7; F380965P Repair Kit
	F0798922-00	Vacuum Breaker Kit	Includes items 4-7
9	F420101	Nipple	
10	F420400	Tee	
11	F8322803P	Valve	Replaces F381703P Valve; Includes F8322803 Valve, F8382301 DIN Valve Adapter Kit and F8514601 Coil
12	F380987P	DIN Coil	220 Volt; Use with F381703P Valve
	F8514601	Coil	Use with F8322803 Valve
13	F421908	Hose Adapter	Standard thread
	F421949	Nipple	Metric thread
14	803615	Washer	
15	20290	Washer	
16	F200164	Water Hose	Standard thread
	F200166	Water Hose	Metric thread
17	F200401P	U-Bolt Clamp	Includes hardware
18	F420103	Nipple	
19	F420500	Street Elbow	
20	F0637633-01	Spray Plumbing Assembly	220 Volt; Includes items 1-13, 18 and 19
	F0637633-03	Spray Plumbing Assembly	220 Volt; Metric thread; Includes items 1-13, 18 and 19

# Fill Plumbing - Design 5 UW35P2 and UW35P3 Models Through 3/02

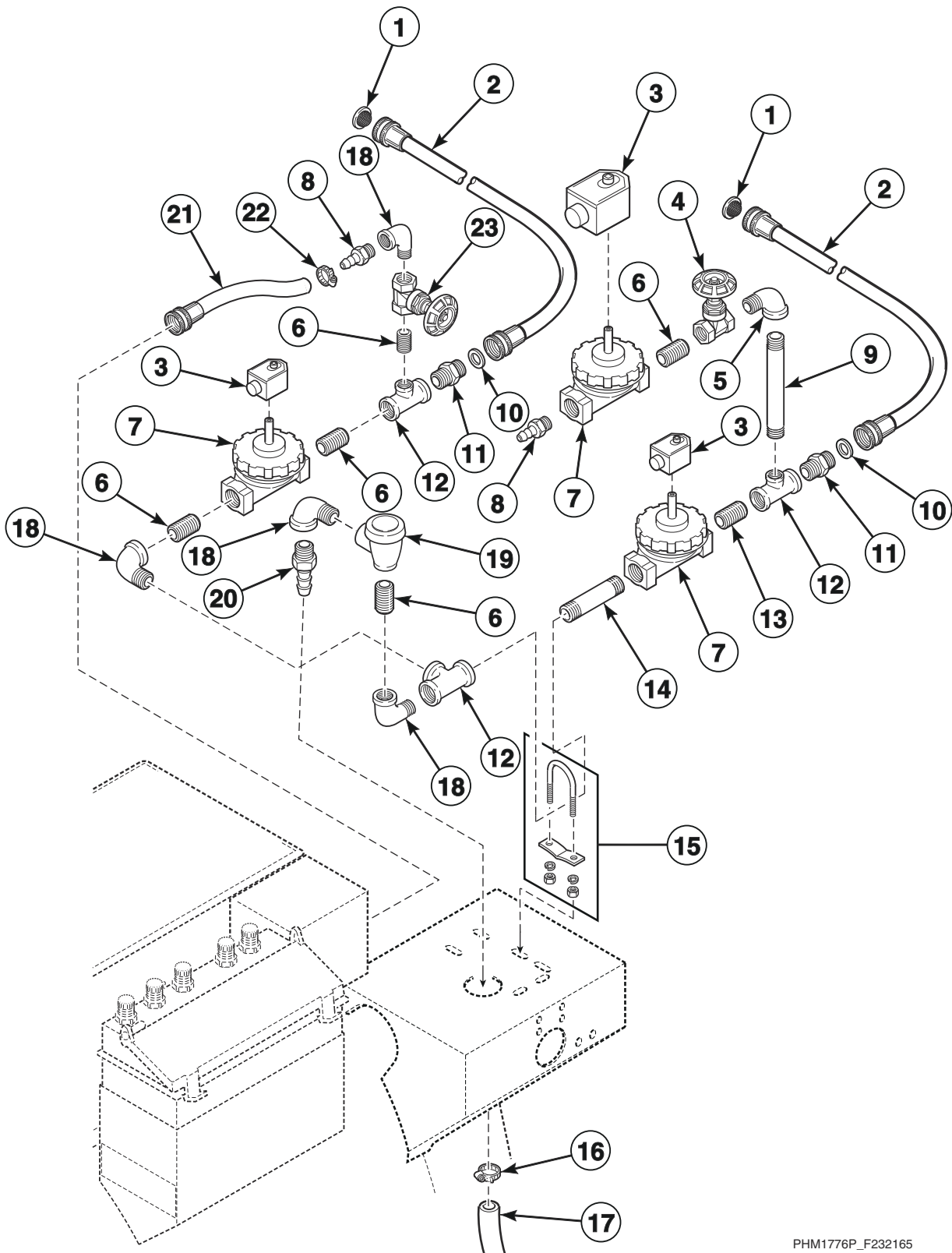


PHM2293P\_F232165

## Fill Plumbing - Design 5 UW35P2 and UW35P3 Models Through 3/02

REF	PART NO.	DESCRIPTION	COMMENTS
	F141901P	DIN Harness Assembly	Use with F381703P Valve
	F8382301	DIN Valve Adapter Kit	Use with F8322803 Valve
	F8456201P	Valve Transition Kit	Use with F8322803 Valve
<b>1</b>	F420500	Street Elbow	
<b>2</b>	F420101	Nipple	
<b>3</b>	F8322803P	Valve	Replaces F381703P Valve; Includes F8322803 Valve, F8382301 DIN Valve Adapter Kit and F8514601 Coil
	F381703P	Valve	220 Volt; 1/2 inch; F380993P Valve Repair Kit; Parker
<b>4</b>	F380987P	DIN Coil	220 Volt; Use with F381703P Valve
	F8514601	Coil	Use with F8322803 Valve
<b>5</b>	F420400	Tee	
<b>6</b>	F420408	Plug	
<b>7</b>	F421908	Hose Adapter	Standard thread
	F421949	Nipple	Metric thread
<b>8</b>	803615	Washer	
<b>9</b>	20290	Washer	
<b>10</b>	F200164	Water Hose	Standard thread
	F200166	Water Hose	Metric thread
<b>11</b>	F421951	Hose Barb	
<b>12</b>	F380500	Gate Valve	
<b>13</b>	F420103	Nipple	
<b>14</b>	F200509	Water Hose	
<b>15</b>	F200206	Hose Clamp	No. 4
<b>16</b>	F200401P	U-Bolt Clamp	Includes hardware
<b>17</b>	F200222	Hose Clamp	No. 12
<b>18</b>	F200104P	Hose	
<b>19</b>	F421930	Hose Barb	
<b>20</b>	F380801P	Antisiphon Valve	1/2 inch; Vacuum breaker valve; F380964P Repair Kit
<b>21</b>	F633832-1	Fill Plumbing Assembly	Standard thread; Includes items 1-7, 11-13, 19 and 20
	F633832-5	Fill Plumbing Assembly	Metric thread; Includes items 1-7, 11-13, 19 and 20

# Fill Plumbing - Design 5 UW35P2 and UW35P3 Models Starting 4/02



PHM1776P\_F232165

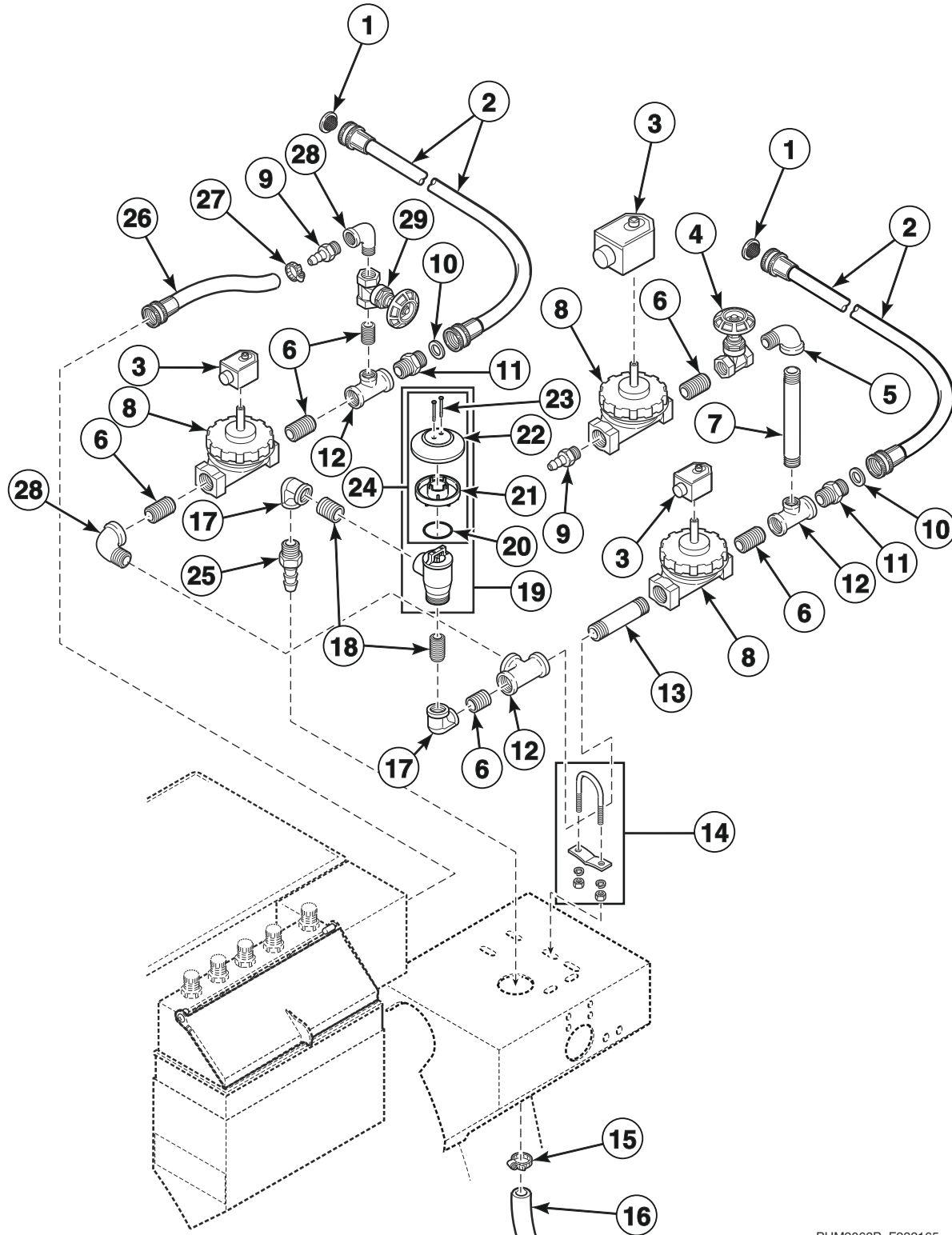


## Fill Plumbing - Design 5 UW35P2 and UW35P3 Models Starting 4/02

REF	PART NO.	DESCRIPTION	COMMENTS
	F633832-1	Fill Plumbing Assembly	220 Volt; Standard thread; Includes items 9, 12-16, 20-24, 27 and 28
	F633832-5	Fill Plumbing Assembly	220 Volt; Metric thread; Includes items 9, 12-16, 20-24, 27 and 28
	F634091-1	Fill Plumbing Assembly	220 Volt; Standard thread; Starch; Includes items 3-10, 12-16, 20-24, 27 and 28
	F634091-5	Fill Plumbing Assembly	220 Volt; Metric thread; Starch; Includes items 3-10, 12-16, 20-24, 27 and 28
	F141901P	DIN Harness Assembly	Use with F381703P Valve
	F380993P	Valve Repair Kit	Starch models; 1/2 inch; Use with F381703P Valve
	F8382301	DIN Valve Adapter Kit	Use with F8322803 Valve
	F8456201P	Valve Transition Kit	Use with F8322803 Valve
<b>1</b>	803615	Washer	
<b>2</b>	F200164	Water Hose	Standard thread
	F200166	Water Hose	Metric thread
<b>3</b>	F380987P	DIN Coil	220 Volt; Starch models; Use with F381703P Valve
	F8514601	Coil	Use with F8322801 Valve
<b>4</b>	F380500	Gate Valve	Starch models
<b>5</b>	F420500	Street Elbow	Starch models
<b>6</b>	F420101	Nipple	Starch models
<b>7</b>	F8322803P	Valve	Replaces F381703P Valve; Includes F8322803 Valve, F8382301 DIN Valve Adapter Kit and F8514601 Coil
<b>8</b>	F421964	Hose Barb	Starch models
<b>9</b>	N/A	Nipple	Starch models
<b>10</b>	20290	Washer	
<b>11</b>	F421908	Hose Adapter	Standard thread
	F421949	Nipple	Metric thread
<b>12</b>	F420400	Tee	Starch models
<b>13</b>	F420101	Nipple	Starch models
<b>14</b>	F420103	Nipple	
<b>15</b>	F200401P	U-Bolt Clamp	Includes hardware
<b>16</b>	F200222	Hose Clamp	No. 12
<b>17</b>	F200104P	Hose	
<b>18</b>	F420500	Street Elbow	
<b>19</b>	F380801P	Antisiphon Valve	1/2 inch; Vacuum breaker
	F380964P	Repair Kit	1/2 inch
<b>20</b>	F421930	Hose Barb	
<b>21</b>	F200509	Water Hose	
<b>22</b>	F200206	Hose Clamp	No. 4
<b>23</b>	F380500	Gate Valve	

**N/A = Part no longer available**

# Fill Plumbing - Design 7 and 8 Models



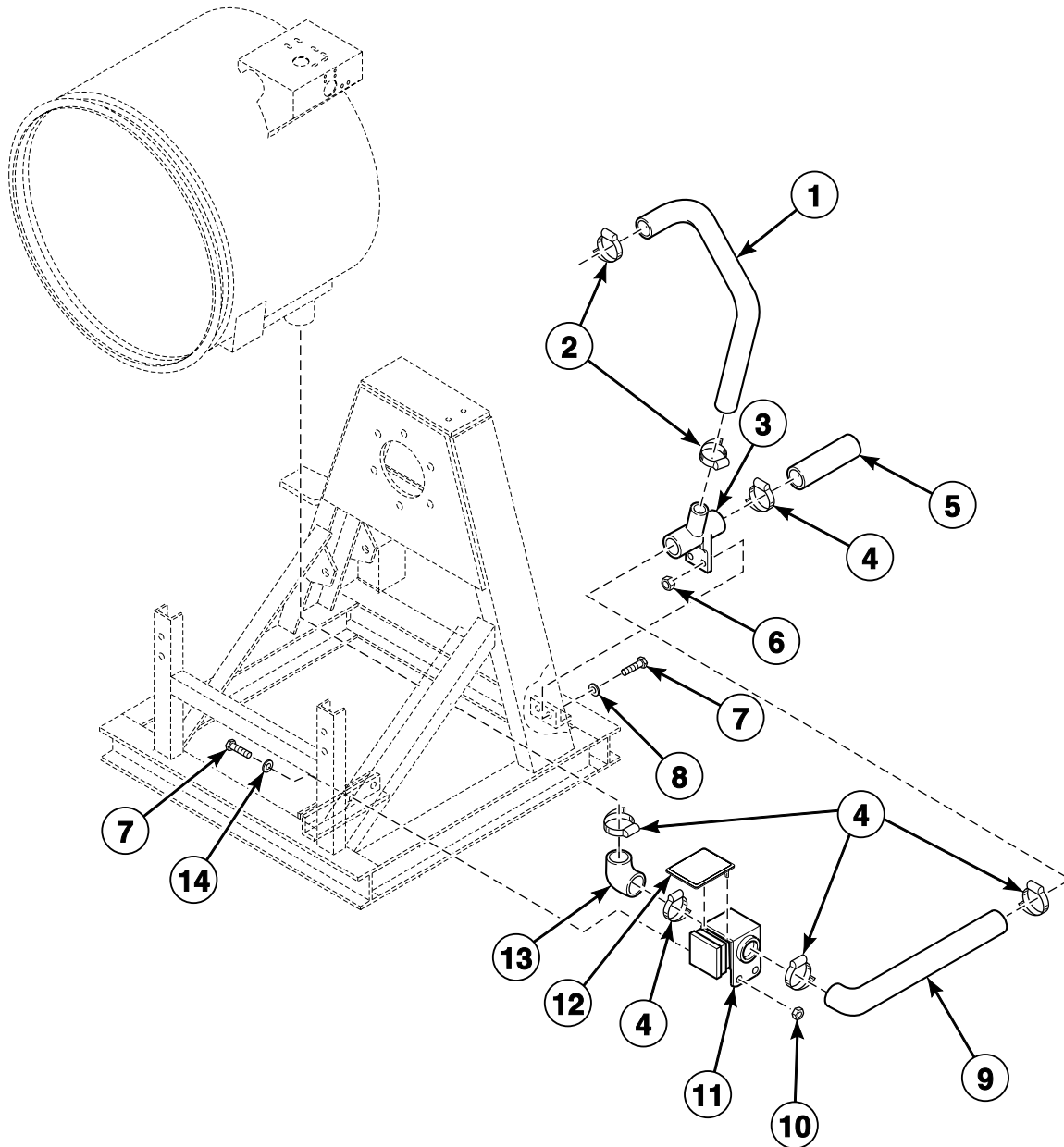
PHM2063P\_F232165

## Fill Plumbing - Design 7 and 8 Models

REF	PART NO.	DESCRIPTION	COMMENTS
	N/A	Fill Plumbing Assembly	220 Volt; Standard thread; Includes items 9, 12, 15, 16, 20-31, 34 and 35
	F0637639-03	Fill Plumbing Assembly	220 Volt; Metric thread; Includes items 9, 12, 15, 16, 20-31, 34 and 35
	N/A	Fill Plumbing Assembly	220 Volt; Standard thread; Starch; Includes items 3-16, 20-31, 34 and 35
	N/A	Fill Plumbing Assembly	220 Volt; Metric thread; Starch; Includes items 3-16, 20-31, 34 and 35
	F141901P	DIN Harness Assembly	Use with F381703P Valve
	F380993P	Valve Repair Kit	Starch models; 1/2 inch; Use with F381703P Valve
	F8382301	DIN Valve Adapter Kit	Use with F8322803 Valve
	F8456201	Valve Transition Kit	Use with F8322803 Valve
<b>1</b>	803615	Washer	
<b>2</b>	F200164	Water Hose	Standard thread
	F200166	Water Hose	Metric thread
<b>3</b>	F380987P	DIN Coil	220 Volt; Starch models; Use with F381703P Valve
	F8514601	Coil	Use with F8322801 Valve
<b>4</b>	F380500	Gate Valve	Starch models
<b>5</b>	F420500	Street Elbow	Starch models
<b>6</b>	F420101	Nipple	Starch models
<b>7</b>	N/A	Nipple	Starch models
<b>8</b>	F8322803P	Valve	Replaces F381703P Valve; Includes F8322803 Valve, F8382301 DIN Valve Adapter Kit and F8514601 Coil
<b>9</b>	F421964	Hose Barb	Starch models
<b>10</b>	20290	Washer	
<b>11</b>	F421908	Hose Adapter	Standard thread
	F421949	Nipple	Metric thread
<b>12</b>	F420400	Tee	Starch models
<b>13</b>	F420103	Nipple	
<b>14</b>	F200401P	U-Bolt Clamp	Includes hardware
<b>15</b>	F200222	Hose Clamp	No. 12
<b>16</b>	F200104P	Hose	
<b>17</b>	F0422918-00	Elbow	
<b>18</b>	F420105	Nipple	
<b>19</b>	F063754701P	Vacuum Breaker Valve	3/4 inch; Includes item 29; F380965P Repair Kit
<b>20</b>	F0170221-00	O-Ring	
<b>21</b>	F0380809-00	Containment Device	
<b>22</b>	F0380808-00	Vacuum Breaker Cap	
<b>23</b>	F430938	Screw	
<b>24</b>	F0798922-00	Vacuum Breaker Kit	Includes items 25-28 and installation instructions
<b>25</b>	F421930	Hose Barb	
<b>26</b>	F420500	Street Elbow	
<b>27</b>	F200509	Water Hose	
<b>28</b>	F200206	Hose Clamp	No. 4
<b>29</b>	F380500	Gate Valve	

N/A = Part no longer available

# Drain Valve and Hoses

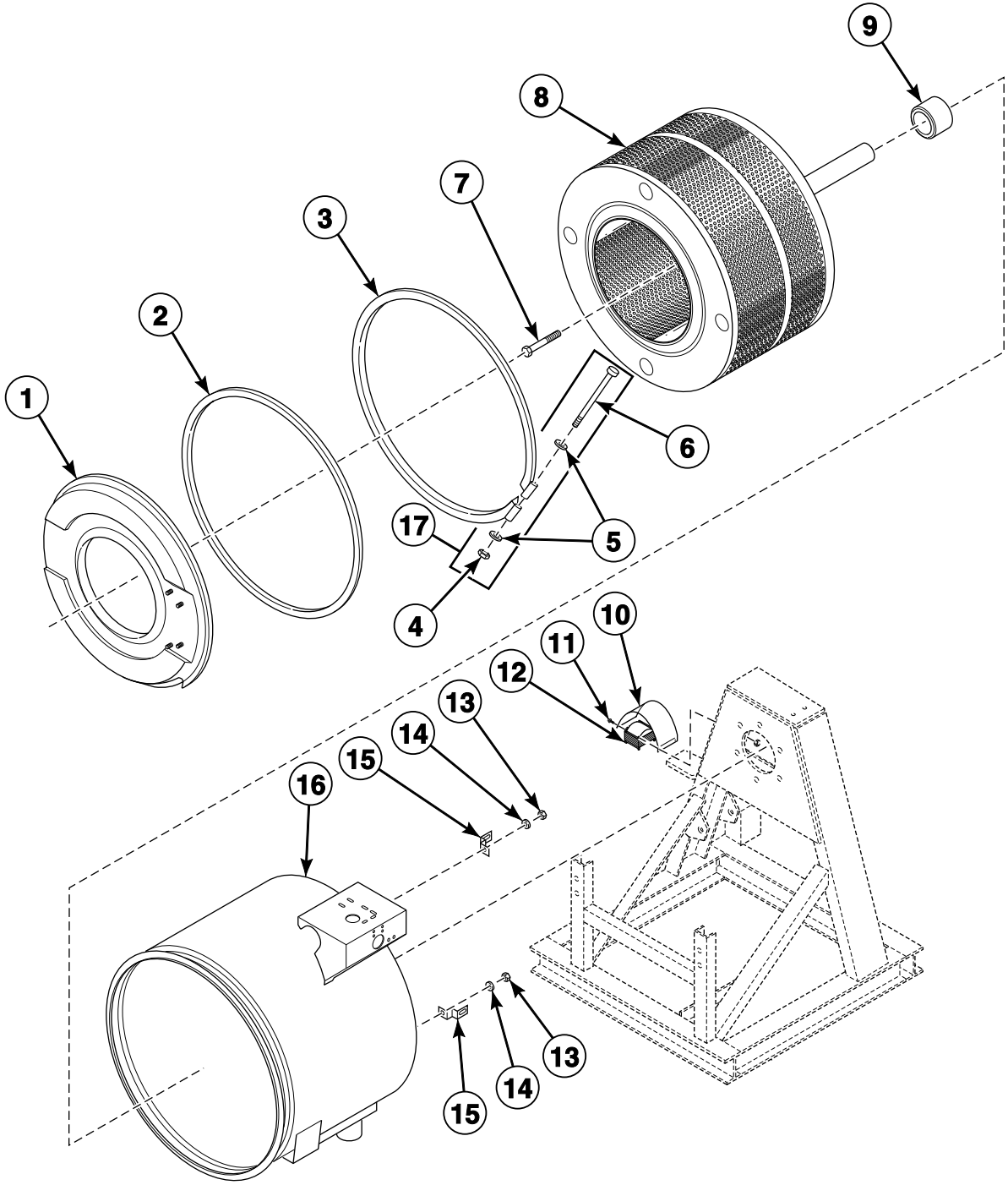


PHM2612P\_F232165

## Drain Valve and Hoses

REF	PART NO.	DESCRIPTION	COMMENTS
1	F150332	Overflow Hose	
2	F200215	Hose Clamp	No. 28
3	F8017101	Drain Connector Tee	
4	F200213	Hose Clamp	No. 40
5	F150308	Overflow Hose	
6	F431005	Nut	
7	F430103	Screw	
8	F431147	Washer	
9	F8106501	Drain Hose	Rear
10	F430211	Nut	
11	803292	Gravity Drain Valve	220 Volt
	F380920	Drain Valve Body	
	F380918	Main Drive Kit	
	F380933P	Drain Valve Motor	220 Volt
12	F200133600	Drain Valve Cover	
13	F8105901	Drain Hose	
14	M400014	Washer	

# Basket and Shell



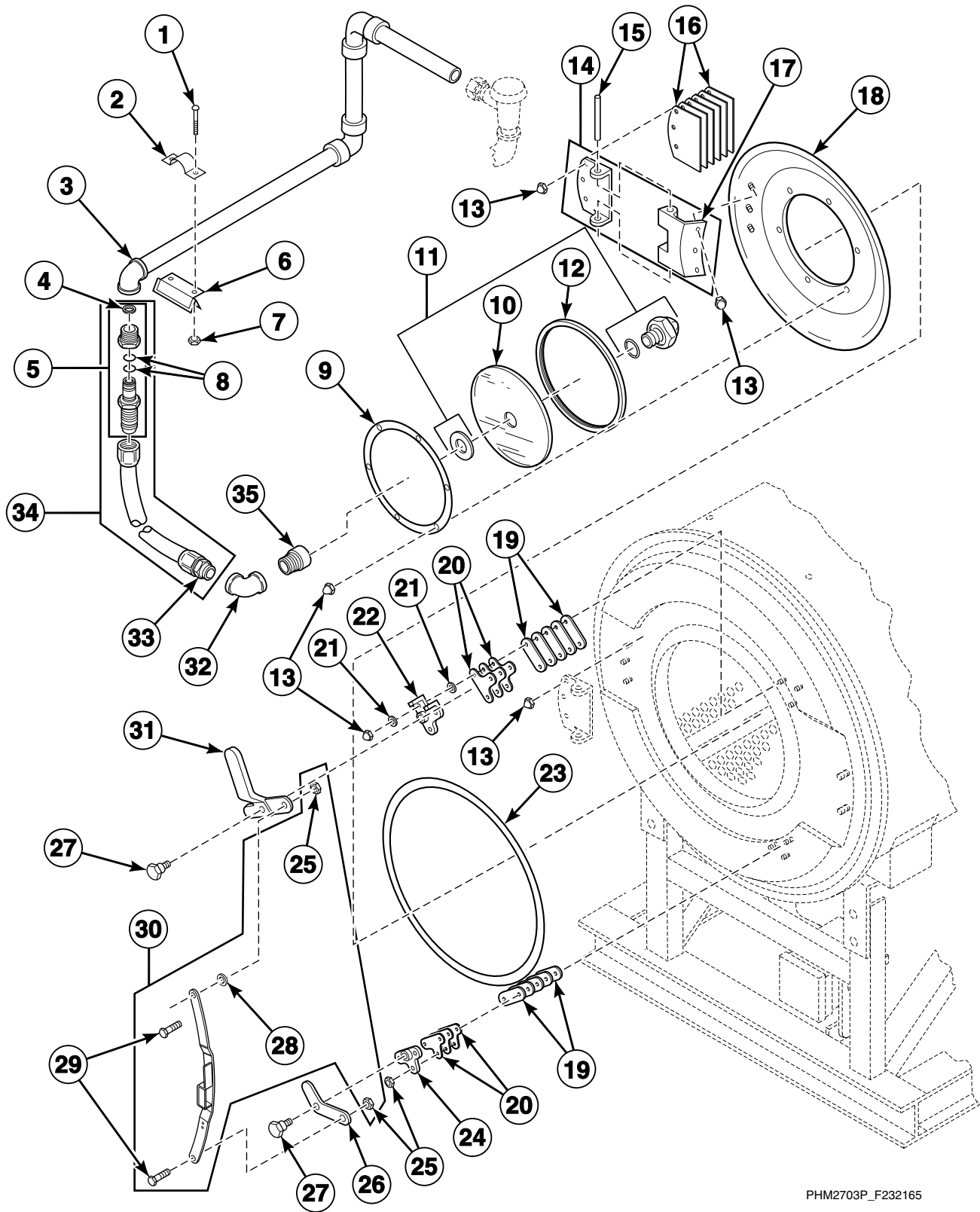
PHM2549P\_F232165

## Basket and Shell

REF	PART NO.	DESCRIPTION	COMMENTS
1	F200119800	Shell Front Assembly	Includes shell front weldment, door bumper moulding, door bumper bushing, top latch bracket casting, lower door latch bracket casting, door latch bracket shim, door butt and door butt shim
	F741305	Shell Front Kit	Includes shell front weldment and F200085000 Hot Surface Warning Decal
2	F792000	Shell Front Gasket Kit	Includes items 4-6, F170125P Shell Band Seal, F200001600P Shell Band Gasket and F410102 Clear Sealant
3	F741701	Shell Band Kit	Includes items 4-6 and F603229 Shell Band Assembly
4	F430215	Nut	
5	F430317	Washer	
6	F430500	Screw	
7	N/A	Screw	
8	F603225-1	Basket Assembly	Models UW35B2 and UW35P2; Includes item 9
	F604129	Basket Assembly	Model UW35P3; Includes item 9
9	F8312003P	Shaft Seal Sleeve	Models UW35B2 and UW35P2
	F8312008P	Shaft Seal Sleeve	Model UW35P3
10	F140425	Control Transformer Cover	F-voltage
11	F430935	Screw	F-voltage
12	F360156P	Transformer	F-voltage
13	F430205	Nut	
14	M400081	Washer	
15	F601806	Shell Mounting Bracket	
16	F634508	Shell Assembly	Models UW35B2 and UW35P2; Standard
	F633964-1	Shell Weldment	Models UW35B2 and UW35P2; Electric heat
	F634510	Shell Assembly	Model UW35P3; Standard
	F634510-1	Shell Weldment	Model UW35P3; Starch
	F634082-1	Shell Weldment	Model UW35P3; Electric heat
17	F791001	Shell Band Fastener Kit	Includes items 4-6

**N/A = Part no longer available**

# Door and Spray Rinse



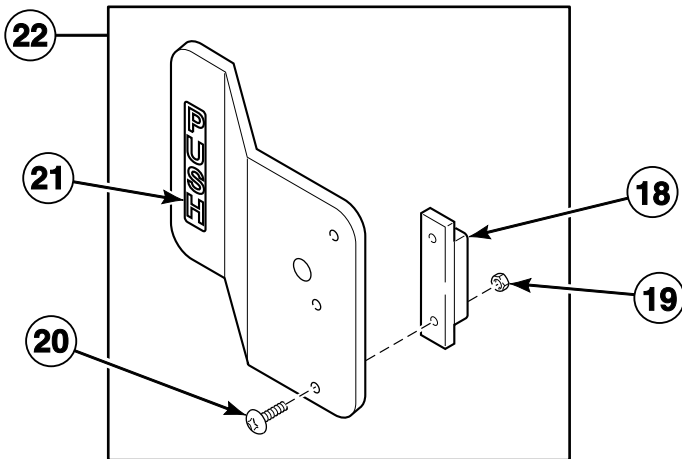
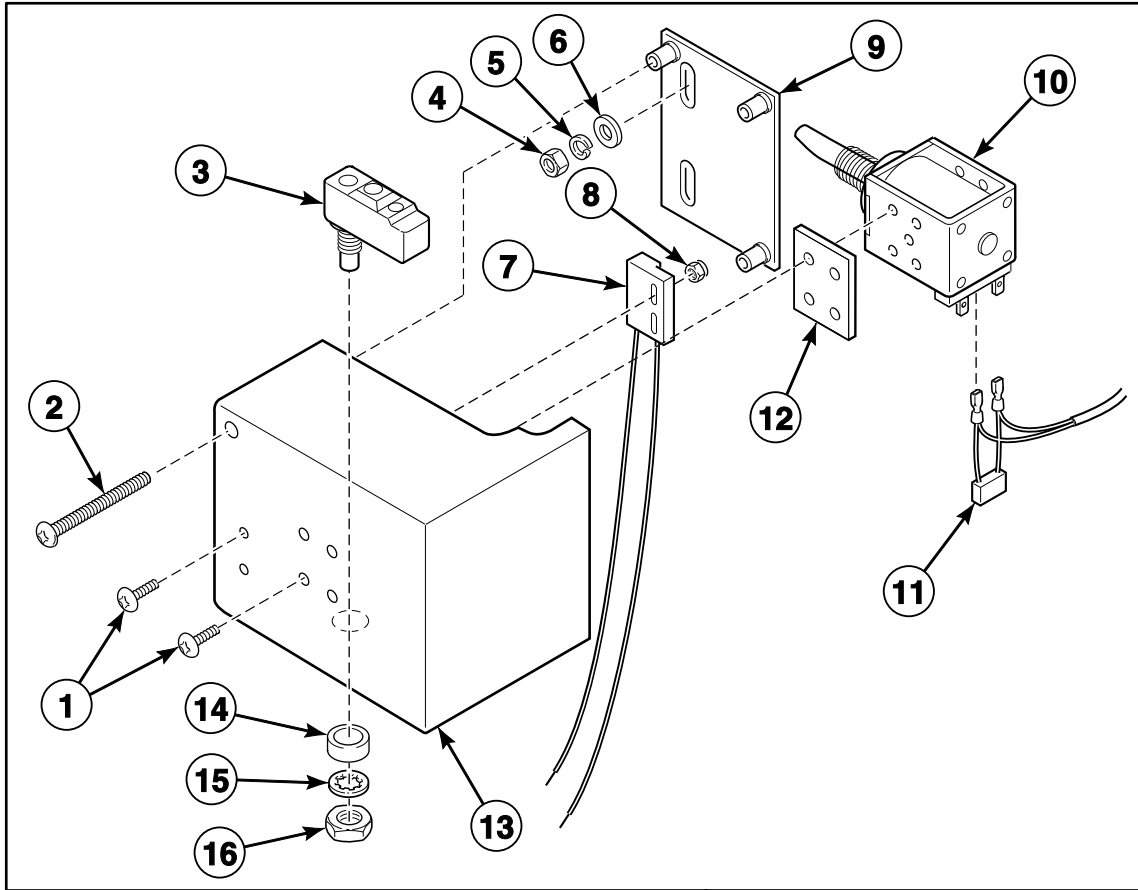
PHM2703P\_F232165



## Door and Spray Rinse

REF	PART NO.	DESCRIPTION	COMMENTS
1	F430917	Screw	Models UW35P2 and UW35P3
2	F602880	Spray Rinse Strap	Models UW35P2 and UW35P3
3	F603696-7	Spray Rinse Tube Assembly	Models UW35P2 and UW35P3
4	F310206	Ring Retainer	Models UW35P2 and UW35P3
5	F422108	Swivel Coupling	Models UW35P2 and UW35P3
6	F602901P	Spray Rinse Bracket Assembly	Includes items 1 and 7; Models UW35P2 and UW35P3
7	F431022	Nut	Models UW35P2 and UW35P3
8	F170200	O-Ring	Models UW35P2 and UW35P3
9	F320100	Retainer Ring Spinning	
10	F290203P	Glass	Without hole; Model UW35B2
	F290202P	Glass Kit	With hole; Models UW35P2 and UW35P3
11	F730077	Spray Rinse Nozzle Kit	Models UW35P2 and UW35P3
12	F170112	Door Glass Gasket	
13	F8549401	Nut	
14	F200030600P	Door Hinge Strap Kit	Includes item 17
15	F601815	Door Hinge Pin	
16	F0610695-00	Door Butt Shim	
17	F200030600	Door Hinge Strap	
18	F630315	Stud Weldment	
	F200119500P	Door Assembly	Includes items 9, 10, 13, 17, 21, 23, F605638 Handle Assembly, F170112 Door Glass Gasket, F430502 Screw and F431917 Washer; Models UW35P2 and UW35P3
19	F631989	Door Bracket Latch Shim	
20	F602058	Door Latch Bracket Shim	
21	F431100	Washer	
22	F150201P	Top Latch Bracket Casting	
23	F170143	Door Gasket	Black
	F017014301	Door Gasket	Gray
24	F150202	Lower Door Latch Bracket Casting	
25	F431002	Nut	
26	F150204	Lower Door Latch Casting	
27	F430168	Screw	
28	F431118	Washer	
29	F430927	Screw	
30	F746800	Extension Arm Kit	Includes items 25, 28 and 29
31	F150203	Door Handle Casting	
32	F422319	Elbow	Models UW35P2 and UW35P3
33	F422109	No-Swivel Coupling	Models UW35P2 and UW35P3
34	F730025	Spray Rinse Hose Kit	Includes items 4, 5, 8 and 33; Models UW35P2 and UW35P3
35	F421938	Extension	Models UW35P2 and UW35P3

# Door Box

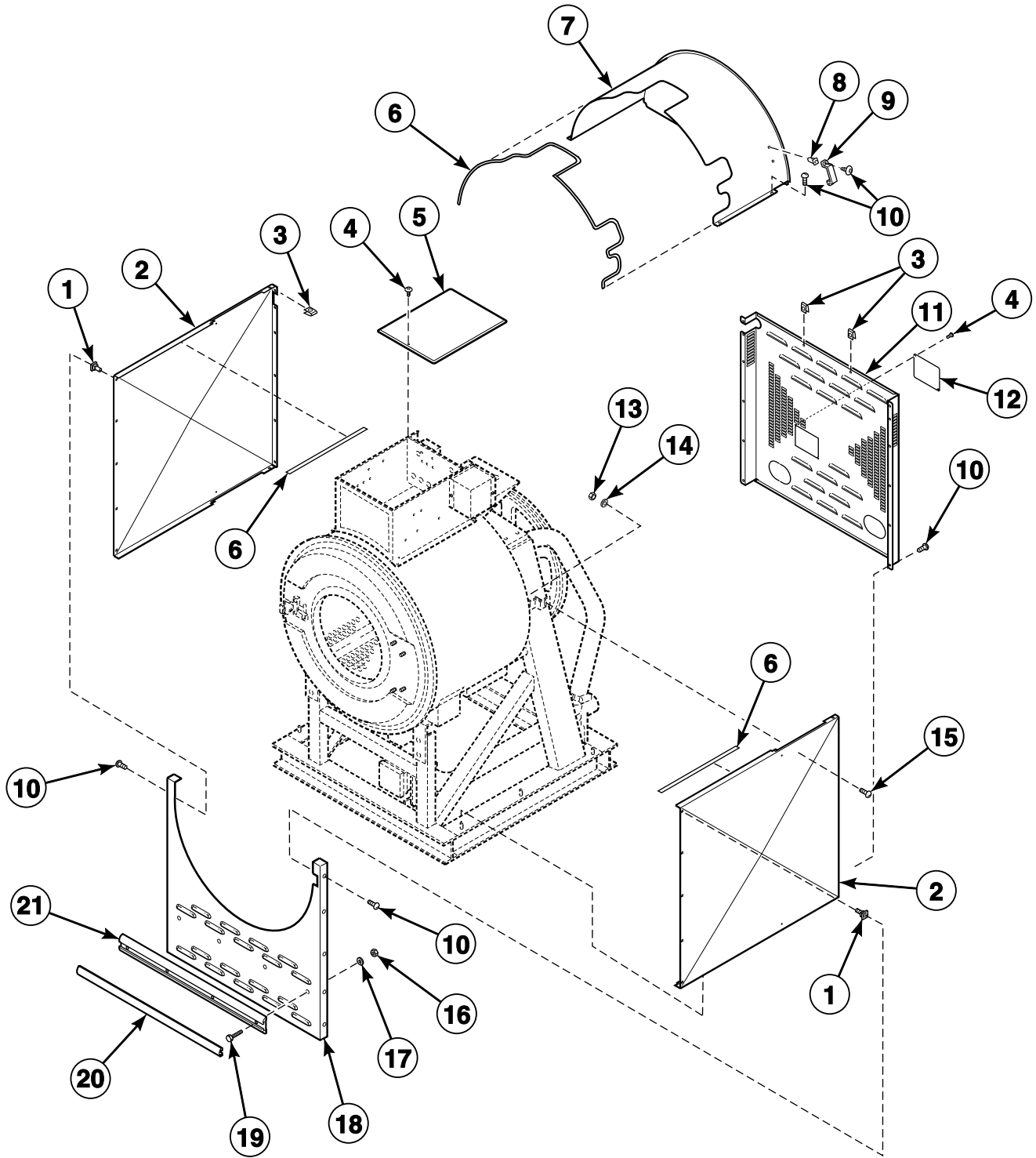


PHM2053P\_F232165

# Door Box

REF	PART NO.	DESCRIPTION	COMMENTS
1	F430917	Screw	
2	F430996	Screw	
3	F340900	Interlock Switch	
4	F430215	Nut	
5	F431100	Washer	
6	F431142	Washer	
7	F200321200	Magnetic Switch Assembly	
8	F430231	Nut	
9	F605525	Door Box Mounting Plate Assembly	
10	F300129P	Door Lock Solenoid	220 Volt
11	F330217P	RC Network Filter	Includes F140627 Connector and F141022 Connector
12	F609728	Solenoid Spacer	
13	F0605466-00	Door Box	
14	F601055	Interlock Switch Spacer	
15	F431104	Washer	
16	F431021	Nut	
17	F604191	Door Box Assembly	
18	F8390801	Magnet	
19	F430232	Nut	
20	F430909	Screw	
21	F230303	Push Decal	
22	F746201-1	Push Handle Kit	

# Panels

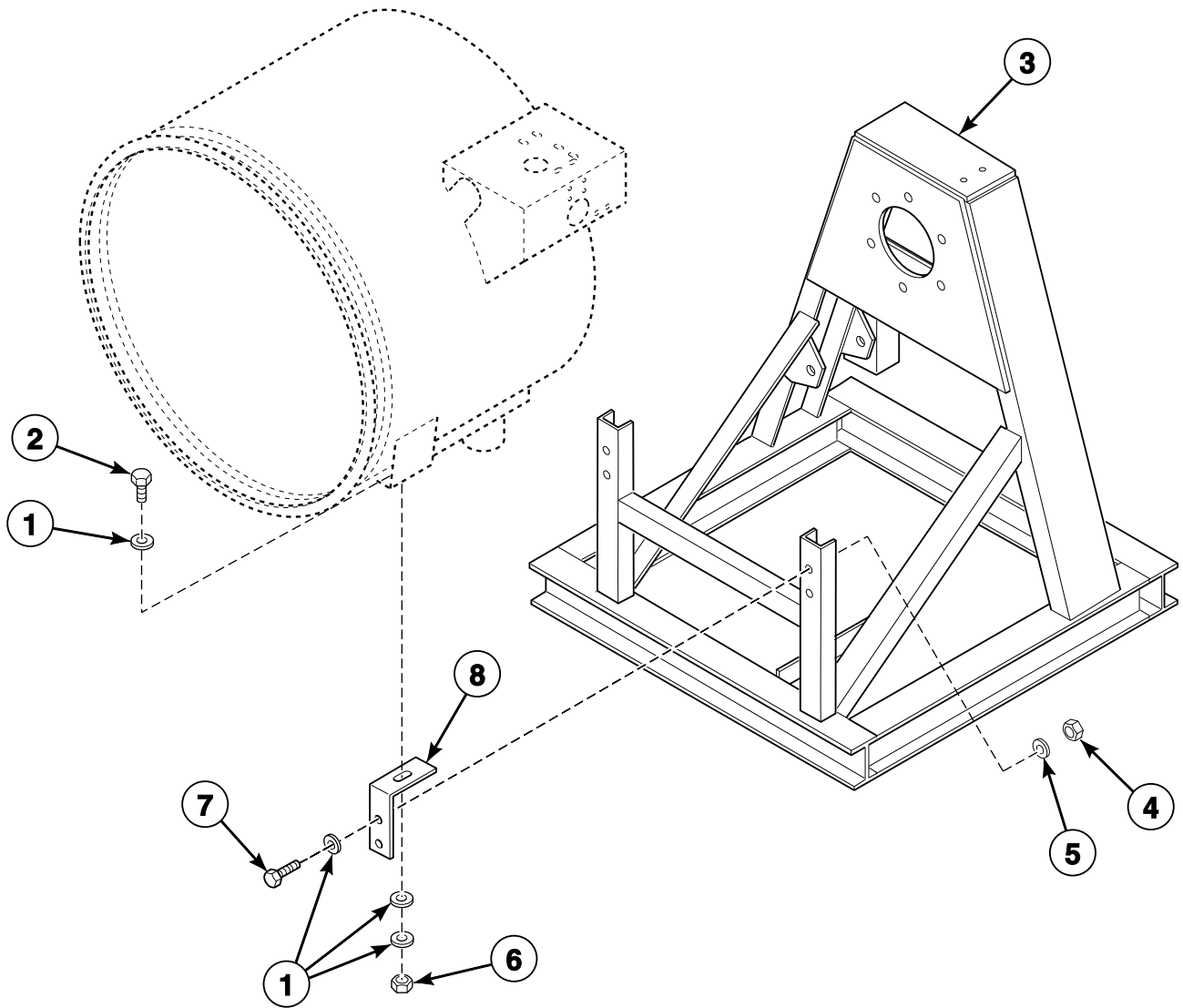


PHM2474P\_F232165

# Panels

REF	PART NO.	DESCRIPTION	COMMENTS
1	F430956	Screw	
2	F0635735-00P	Side Panel	Reversible
3	F430264	Nut	Tinnerman
4	70240301	Screw	
5	F635456	Control Module Cover	
6	F170400RP	Trim	
7	F0635738-00	Cage Wrap Weldment	
8	F0431807-00	Nut	
9	F605324	Hose Strap	
10	F430956	Screw	
11	F200187800P	Rear Panel	
12	F200188300	Belt Inspection Port Cover	
13	F430215	Nut	
14	F430317	Washer	
15	F432234	Screw	
16	F430211	Nut	
17	F431100	Washer	
18	F635660P	Front Panel	
19	F430921	Screw	
20	F150397	Extrusion Insert	Order 3 feet
21	F150407	Rub Rail	

# Frame

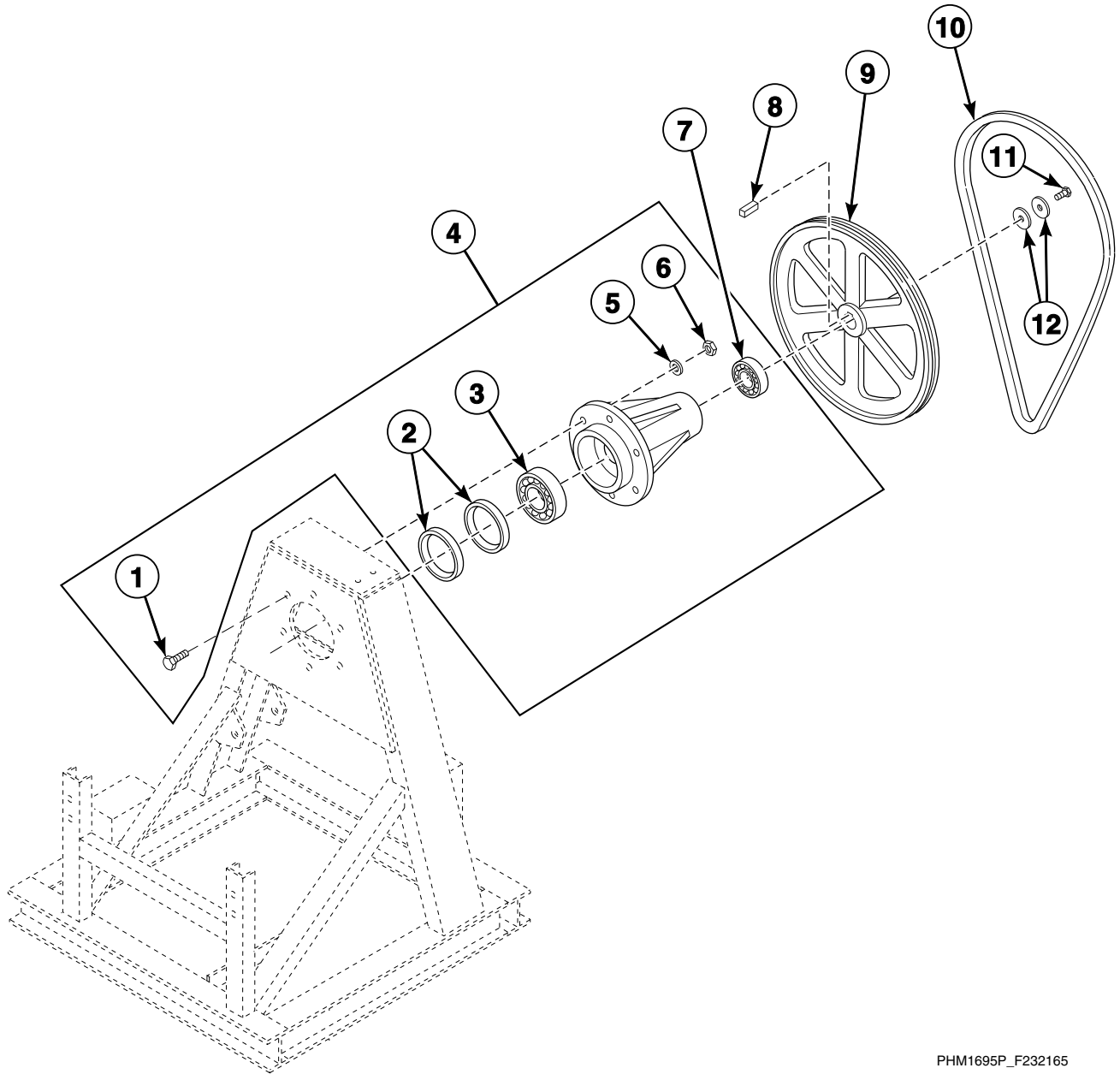


PHM1924P\_F232165

# Frame

REF	PART NO.	DESCRIPTION	COMMENTS
1	M400081	Washer	
2	F430116	Screw	
3	F603330	Frame Assembly	Models UW35B2 and UW35P2
	F606219	Frame Assembly	Model UW35P3
4	F430205	Nut	
5	M400014	Washer	
6	70142	Nut	
7	F430924	Screw	
8	F601806	Shell Mounting Bracket	

# Pulley and Trunnion Assembly



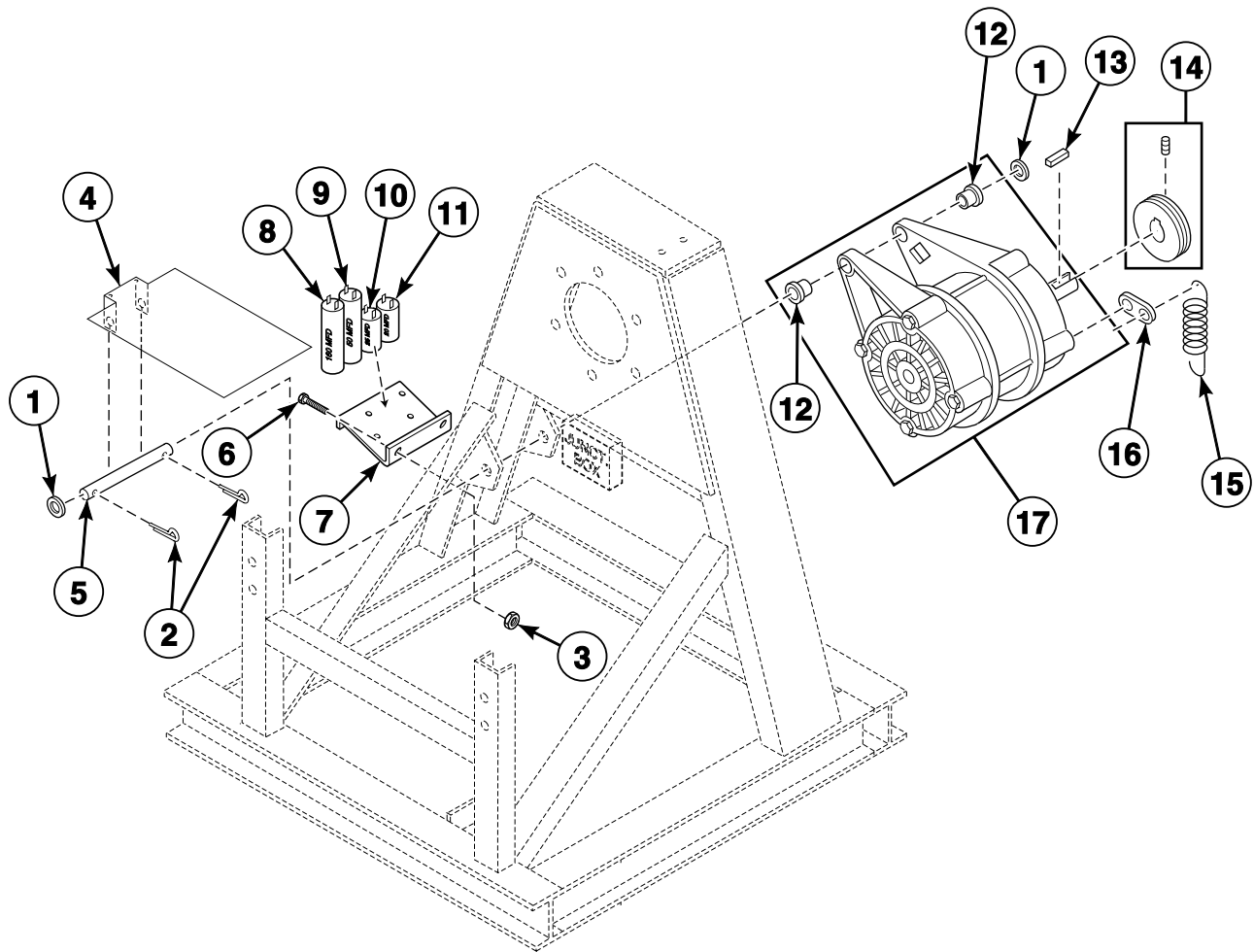
PHM1695P\_F232165



## Pulley and Trunnion Assembly

REF	PART NO.	DESCRIPTION	COMMENTS
1	F430987	Screw	
2	F8203802	Triple Lip Seal	Models UW35B2 and UW35P2
	F8203805	Triple Lip Seal	Model UW35P3
3	F100123P	Bearing	Models UW35B2 and UW35P2; 6309 2RS C3; Front
	F100122	Bearing	Model UW35P3; 6312 2RS C3; Front
4	F747002	Trunnion Kit	Models UW35B2 and UW35P2; Includes F792000 Shell Front Gasket Kit and items 1, 5 and 6
	F747004	Trunnion Kit	Model UW35P3; Includes F792000 Shell Front Gasket Kit and items 1, 5 and 6
5	F431131	Washer	
6	F430240	Nut	
7	F100108	Bearing	Models UW35B2 and UW35P2; 6208 2RS C3; Rear
	F100123P	Bearing	Model UW35P3; 6309 2RS C3; Rear
8	F430801	Key	
9	F280172	Sheave Pulley	Models UW35B2 and UW35P2; 3V220
	F280173	Pulley	Model UW35P3; 2G3V2400
10	F280341	Belt	Models UW35B2 and UW35P2; 1 required; 3V-850
	F280304	Belt	Model UW35P3; 2 required; 3V-900
11	F430927	Screw	
12	F0431159-00	Washer	

# Motor - Models UW35B2 and UW35P2



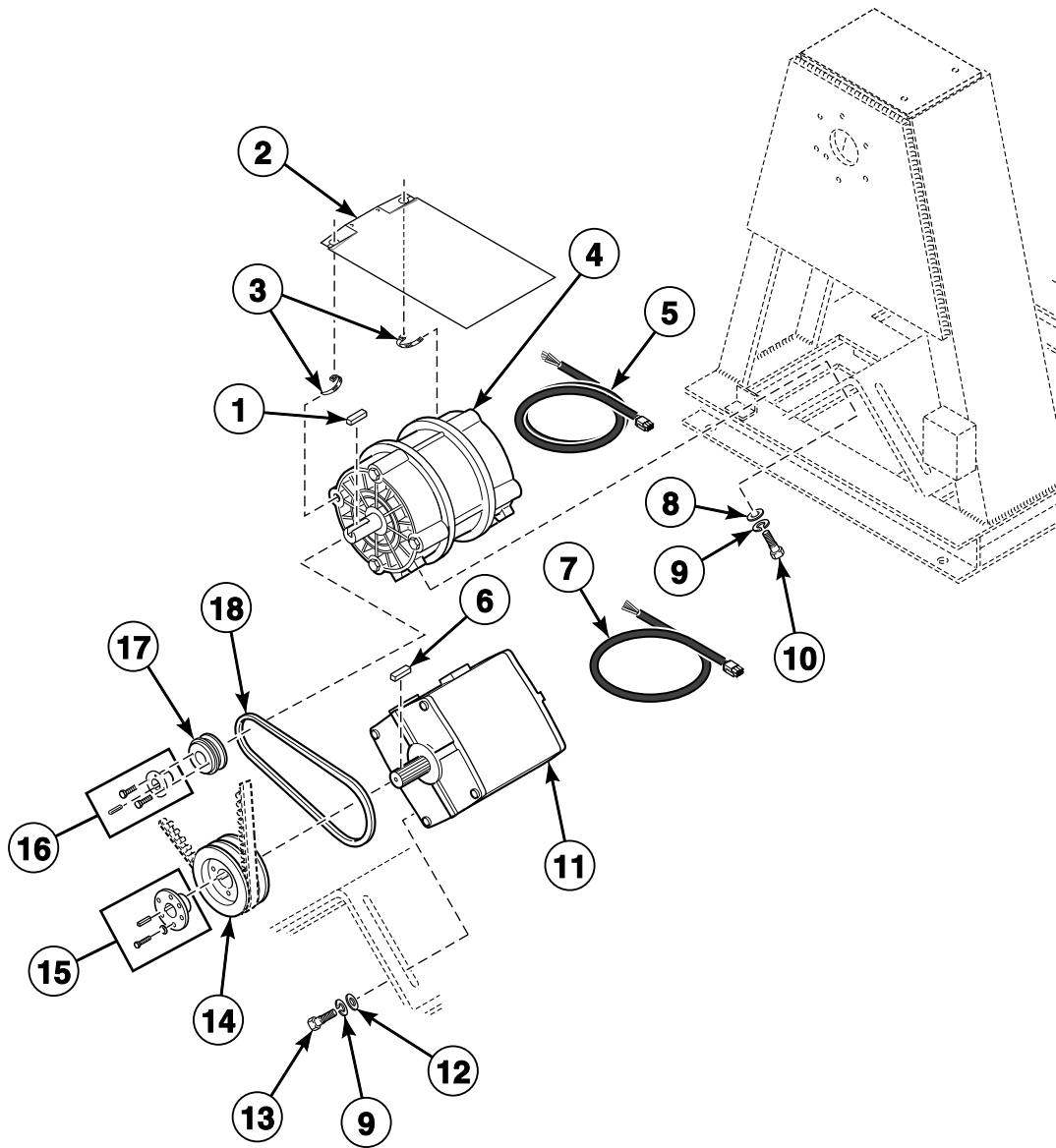
PHM2824P\_F232165

## Motor - Models UW35B2 and UW35P2

REF	PART NO.	DESCRIPTION	COMMENTS
1	901690	Washer	
2	F430401	Cotter Pin	
3	F430215	Nut	
4	F200216900	Motor Drip Shield	All voltage models except for Y-voltage
	F200280700	Motor Drip Shield	Y-voltage
5	F603059	Motor Support Rod	Model UW35B2
	F603897	Motor Support Rod	Model UW35P2
6	F430935	Screw	
7	F0635786-00	Capacitor Bracket	
8	F730344P	Capacitor Kit	1 Phase; 160 MFD and 15K resistor
9	F8411901	Capacitor	1 Phase; 50 MFD
10	F8411801	Capacitor	1 Phase; 25 MFD
11	F8411701	Capacitor	1 Phase; 20 MFD
12	F200186100	Motor Support Bushing	Nylon
13	F430802	Key	
14	F280281	Motor Pulley	1DP-GR3V300X.875; Includes screw; 60 Hertz; 1 groove; 3.24 inch OD
15	F310124	Extension Spring	
16	F601515	Clip	
17	F8353601P	Motor	208-240 Volt/60 Hertz/1 Phase; Includes item 12
	F8330001P	Motor	208-240 Volt/60 Hertz/3 Phase; Includes item 12
	F8330101P	Motor	380-415 Volt/50 Hertz/3 Phase; 440-480 Volt/60 Hertz/3 Phase; Includes item 12
	N/A	Motor Cover	

**N/A = Part no longer available**

# Motor - Model UW35P3



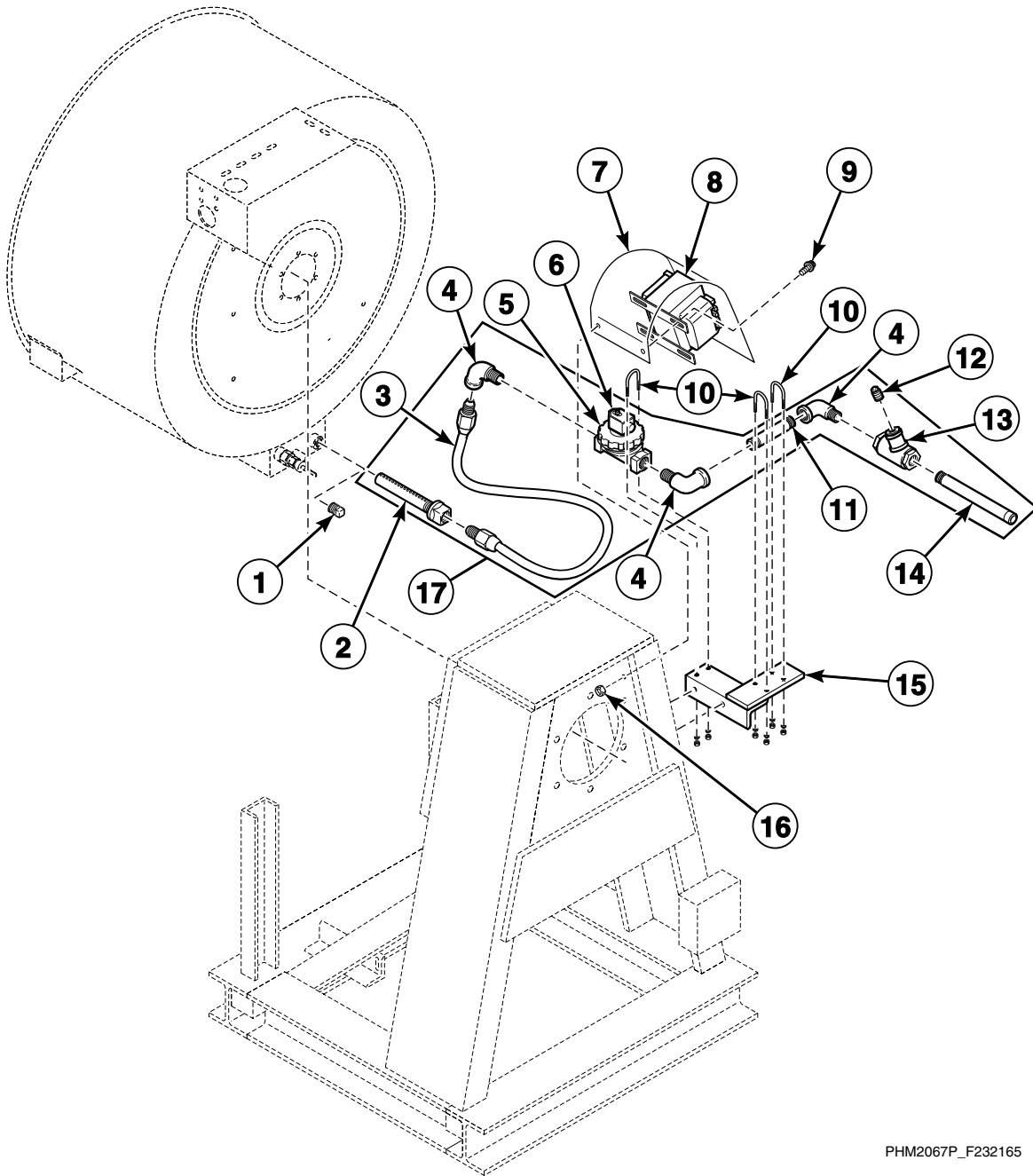
PHM2825P\_F232165

## Motor - Model UW35P3

REF	PART NO.	DESCRIPTION	COMMENTS
1	F430802	Key	
2	F200216900	Motor Drip Shield	
3	F140605	Cable Tie	
4	F220410P	Motor	Wash; 208-240 Volt
	N/A	Motor Harness Kit	Wash; 380-415 Volt
5	F200095100	Splice Harness	Wash
6	F430803	Key	
7	F0637544-01	Splice Harness	Extract
8	F430300	Washer	
9	M400014	Washer	
10	800461	Screw	
11	F220411	Motor	Extract; 208-240 Volt
	N/A	Motor Harness Kit	Extract; 380-415 Volt
12	M400081	Washer	
13	F430116	Screw	
14	F280420	Pulley	Extract; 4GR3V4.12; SH; 60 Hertz; 4 groove; 4.12 inch OD
15	F280297	Pulley Bushing	Extract; 1-1/8; SH
16	F280298P	Pulley Bushing	Wash; JA; 7/8
17	F280421	Pulley	Wash; 2GR3V3.15JA; 60 Hertz; 2 groove; 3.15 inch OD
18	F280352	Belt	3VX315; 2 required

N/A = Part no longer available

# Steam Heat Option and Transformer

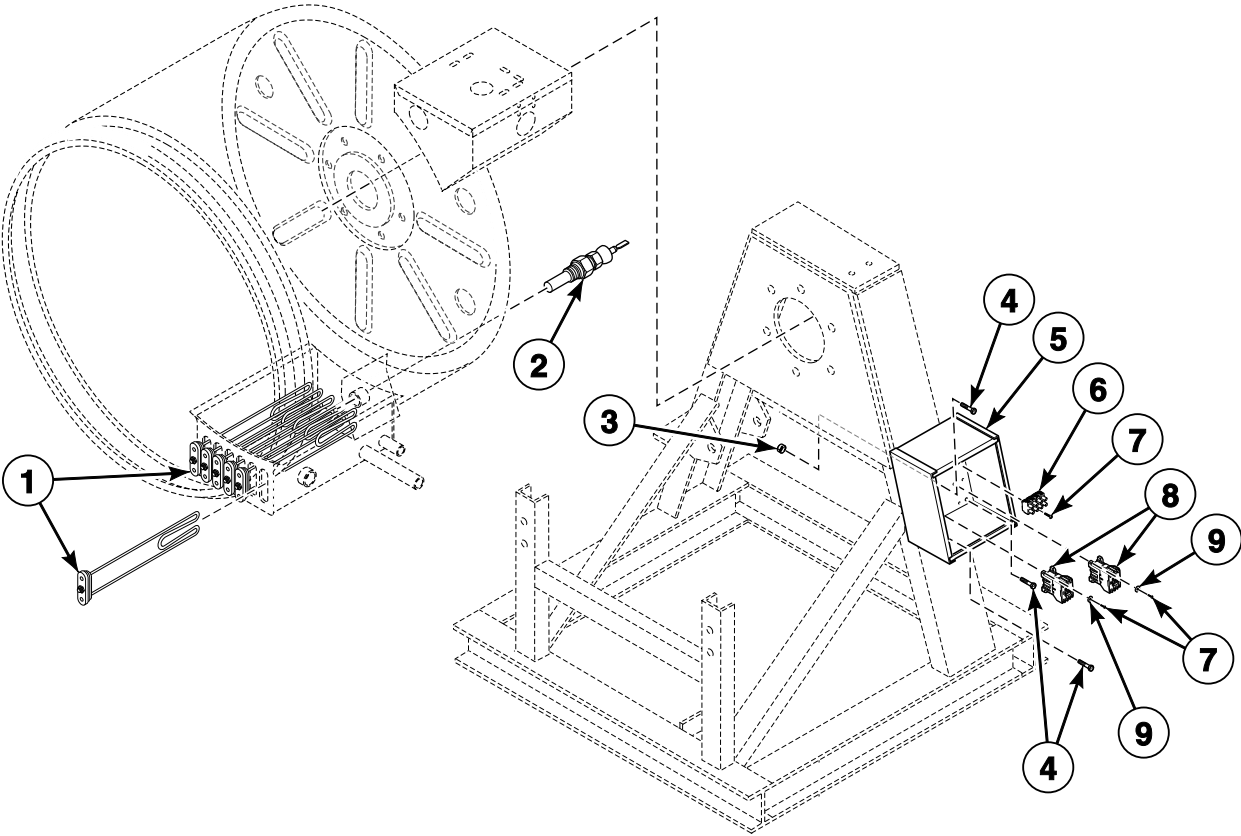


PHM2067P\_F232165

## Steam Heat Option and Transformer

REF	PART NO.	DESCRIPTION	COMMENTS
	F410300	Pipe Insulation	
	F8382301	DIN Valve Adapter Kit	Use with F8322801P Valve
	F8379501	Valve Kit	Use with F8322801P Valve
<b>1</b>	F200202600	Plug	
<b>2</b>	F603131	Steam Injector Tube Assembly	
<b>3</b>	F200517	Steam Hose	
<b>4</b>	H86070034	Street Elbow	
<b>5</b>	F8322801P	Valve	Replaces F380787P Steam Valve; Includes F8514601 Coil; For models that have been upgraded with F8521801 DIN Valve Kit
	F8521801	DIN Valve Kit	Replaces F380787P Steam Valve; Includes F8322801 Valve, F8382301 DIN Valve Adapter Kit and F8514601 Coil
<b>6</b>	F380987P	DIN Coil	220 Volt; Use with F380787P Steam Valve
	F8514601	Coil	Use with F8322801P Valve
<b>7</b>	F140425	Control Transformer Cover	
<b>8</b>	F360156P	Transformer	Control; F-voltage
<b>9</b>	F430935	Screw	
<b>10</b>	F200401P	U-Bolt Clamp	Includes hardware
<b>11</b>	F420709	Nipple	Models UW35B2 and UW35P2
	F420708	Nipple	Model UW35P3
<b>12</b>	F420409	Plug	
<b>13</b>	F270307	Steam Filter	
<b>14</b>	F420711	Nipple	
<b>15</b>	F0635785-00	Steam Bracket Weldment	
<b>16</b>	F430215	Nut	
<b>17</b>	F635782-1	Steam Kit	Models UW35B2 and UW35P2; Includes items 2-6 and 11-14
	F635782	Steam Kit	Model UW35P3

# Electric Heat Option



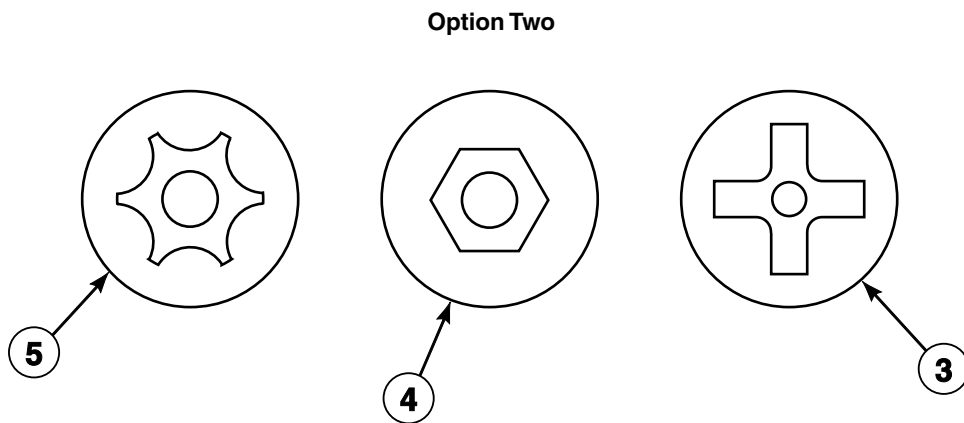
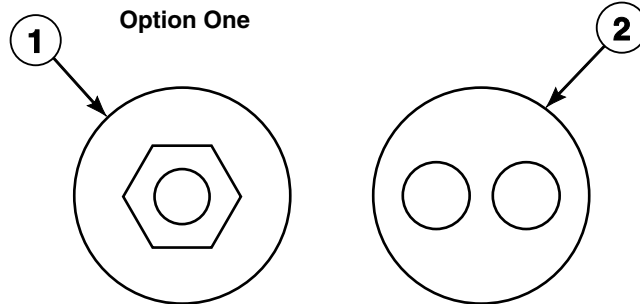
PHM1927P\_F232165



# Electric Heat Option

REF	PART NO.	DESCRIPTION	COMMENTS
1	F360205P	Element	6 required
2	F370606P	Temperature Probe	
3	F430215	Nut	
4	F430938	Screw	
5	F140413	Box	
6	F140747	Input Power Block	380-400 Volt
	M413865	Terminal Block	200-240 Volt
7	F430107	Screw	
8	F330188P	Contactator	220 Volt; NX208
9	F430311	Washer	

# Security Fasteners



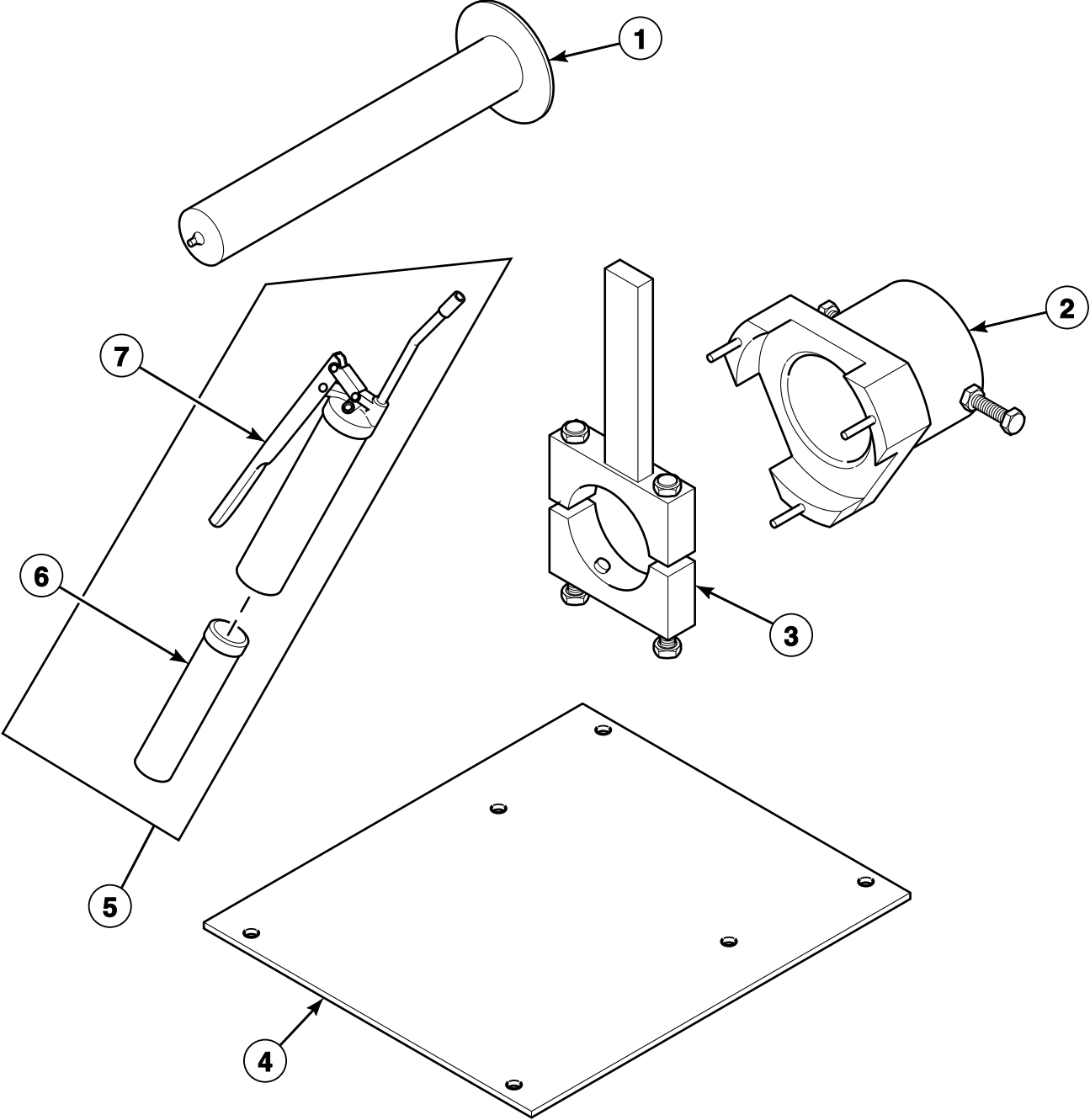
PHM2181P\_F232165

## Security Fasteners

REF	PART NO.	DESCRIPTION	COMMENTS
1	F0430275-00	Screw	No. 8; 32 x 1/2 inch; Used in place of F430956 Screw; Typical location is the side panels and module cover
	F430960	Screw	No. 10; 32 x 3/8 inch; Used in place of F430904 Screw; Typical location is the module to the shell
	F704906	Hex Bit	
2	F0430273-00	Screw	1/4 inch; 20 x 2-1/2 inch; Used in place of F430996 Screw; Typical location is the door box to the bracket
	F0430272-00	Screw	1/4 inch; 20 x 1-1/2 inch; Used in place of F430921 Screw; Typical location is the side panel to the bracket
	F0430274-00	Screw	1/4 inch; 20 x 1/2 inch; Used in place of F430925 Screw; Typical location is the drive box or the cover
	F704907	Spanner Bit	
3	F432260	Screw	1/4 inch; 20 x 2-1/2 inch; Used in place of F430996 Screw; Typical location is the door box to the bracket
	N/A	Phillips Bit	
4	N/A	Screw	1/4 inch; 20 x 1/2 inch; Used in place of F430925 Screw; Typical location is the drive box or cover
	N/A	Hex Bit	
5	F432259	Screw	No. 8; 32 x 1/2 inch; Used in place of F430956 Screw; Typical location is the side panels and module cover
	281P4	Torx Bit	

**N/A = Part no longer available**

# Special Tools



PHM2978P\_F232165

# Special Tools

REF	PART NO.	DESCRIPTION	COMMENTS
	1113P	Concrete Hardware Kit	
1	F633426	Alignment Shaft Assembly	
2	F0100312-00	Shaft Seal Alignment Fixture	
3	F460130	Bearing Removal Tool	
4	F604226	Rebar Frame Template	
5	F798700	Grease Gun Kit	Includes items 6 and 7
6	F210206P	Bearing Grease	
7	F210207P	Grease Gun	



# Parts Index

## A

Air Trap Hose	
F020014200 .....	15, 17
Alignment Shaft Assembly	
F633426 .....	59
Antisiphon Valve	
F380801P .....	29, 31

## B

Basket Assembly	
F603225-1 .....	37
F604129 .....	37
Battery	
F191101 .....	9
Bearing	
F100108 .....	47
F100122 .....	47
F100123P .....	47
Bearing Grease	
F210206P .....	59
Bearing Removal Tool	
F460130 .....	59
Before Power Is Connected Tag	
F230501 .....	7
Belt	
F280304 .....	47
F280341 .....	47
F280352 .....	51
Belt Inspection Port Cover	
F200188300 .....	43
Box	
F140413 .....	55
Buzzer	
F300206 .....	11

## C

Cable Assembly	
F604713 .....	13
Cable Tie	
F140605 .....	9, 51
F140606 .....	9
Cable Tray Assembly	
F635615-1 .....	9, 17
Cable Tray Cover	
F635478 .....	9, 17
Cage Wrap Weldment	
F0635738-00 .....	43
Capacitor	
F8411701 .....	49
F8411801 .....	49
F8411901 .....	49
Capacitor Bracket	
F0635786-00 .....	49
Capacitor Kit	
F730344P .....	49

Chemical Supply Cup	
F150385 .....	23
F150386 .....	23
Chemical Supply Hose	
F150478 .....	23
Circuit Breaker	
F350217 .....	11
F350218 .....	13
F8303001P .....	19
Clip	
F601515 .....	49
Clockwise Spin Rotation Decal	
F230652 .....	7
Coil	
F8514601 .....	25, 27, 29, 31, 33, 53
Cold Water Valve Decal	
F231368 .....	7
Computer	
F0370455-20P .....	17
Computer and Door Lock Harness	
F200296000P .....	19
Computer Cover	
F606826 .....	9
Computer Input Harness	
F0141930-00 .....	9
Concrete Hardware Kit	
1113P .....	59
Conductor Decal	
F231146 .....	7
Connector	
F140575P .....	13
F140576P .....	13
F422500 .....	15, 17
Contact Base	
F8538101 .....	9, 17
Contact Block Switch	
F200233401 .....	9, 17
F200299500 .....	17
F340445 .....	9, 17
Contact Switch	
F8069501 .....	9, 17
Contacto	
F330177P .....	11, 19
F330188P .....	55
Containment Device	
F0380809-00 .....	27, 33
Control Cover	
F0636887-00 .....	17
Control Module Cover	
F635456 .....	9, 17, 43
Control Module Decal	
F0231565-00 .....	17
F231562 .....	9
Control Transformer Cover	
F140425 .....	37, 53
Cotter Pin	
F430401 .....	49

N/A items do not appear in index.

---

**D**

Diaphragm and Guide Kit G582P3 .....	15, 17
DIN Coil F380987P .....	25, 27, 29, 31, 33, 53
DIN Contactor Mounting Rail F602595-5 .....	11, 19
DIN Harness Assembly F141901P .....	25, 27, 29, 31, 33
DIN Valve Adapter Kit F8382301 .....	25, 27, 29, 31, 33, 53
DIN Valve Kit F8521801 .....	53
Disconnect Power Warning Label 505281 .....	7, 9, 17
Dispenser Assembly F0150512-00P .....	23
Dispenser Lid F0150514-00 .....	23
Do Not Push Decal F230302 .....	7
Door Assembly F200119500P .....	39
Door Box F0605466-00 .....	41
Door Box Assembly F604191 .....	41
Door Box Mounting Plate Assembly F605525 .....	41
Door Bracket Latch Shim F631989 .....	39
Door Butt Shim F0610695-00 .....	39
Door Gasket F017014301 .....	39
F170143 .....	39
Door Glass Gasket F170112 .....	39
Door Handle Casting F150203 .....	39
Door Hinge Pin F601815 .....	39
Door Hinge Strap F200030600 .....	39
Door Hinge Strap Kit F200030600P .....	39
Door Latch Bracket Shim F602058 .....	39
Door Lock Solenoid F300129P .....	41
Drain Connector Tee F8017101 .....	35
Drain Hose F8105901 .....	35
F8106501 .....	35
Drain Valve Body F380920 .....	35
Drain Valve Cover F200133600 .....	35
Drain Valve Motor F380933P .....	35

N/A items do not appear in index.

---

**E**

Elbow F0422918-00 .....	27, 33
F422319 .....	39
Electrical Access Panel F0637549-00 .....	9
F635448 .....	9
Element F360205P .....	55
Emergency Stop Button Kit F200233700P .....	9, 17
Emergency Stop Pushbutton F200233500 .....	9, 17
Extension F421938 .....	39
Extension Arm Kit F746800 .....	39
Extension Spring F310124 .....	49
External Supply Box F635468 .....	9, 17
External Supply Box Cover F633435 .....	9
F635365 .....	17
External Supply Connection Decal F230764-11 .....	21
F230764-12 .....	21
F230917-1 .....	7
Extrusion Insert F150397 .....	43

---

**F**

Fill Plumbing Assembly F0637639-03 .....	33
F633832-1 .....	29, 31
F633832-5 .....	29, 31
F634091-1 .....	31
F634091-5 .....	31
Filter Retainer Guard F220900 .....	11
Flange Relay F330230 .....	11, 19
Frame Assembly F603330 .....	45
F606219 .....	45
Front Panel F635660P .....	43
Fuse F350108 .....	11, 19
F350109 .....	11, 19
F350110 .....	11
F350115 .....	13
F350142 .....	13
F350145 .....	19
Fuse Holder F0350312-10 .....	13
F0350313-00P .....	13



---

**G**

Gasket	F170158P .....	23
Gate Valve	F380500 .....	29, 31, 33
Glass	F290203P .....	39
Glass Kit	F290202P .....	39
Gravity Drain Valve	803292 .....	35
Grease Gun	F210207P .....	59
Grease Gun Kit	F798700 .....	59
Ground Decal	F230630 .....	13, 21
Ground Terminal Lug	F140734 .....	13, 21

---

**H**

Hex Bit	F704906 .....	57
Hose	F200104P .....	29, 31, 33
Hose Adapter	F421908 .....	25, 27, 29, 31, 33
Hose Barb	F421930 .....	29, 31, 33
	F421951 .....	29
	F421964 .....	31, 33
Hose Clamp	F200206 .....	29, 31, 33
	F200213 .....	23, 35
	F200215 .....	15, 17, 35
	F200222 .....	29, 31, 33
Hose Strap	F605324 .....	43
Hot Surface Warning Decal	F200085000 .....	7
	F231380 .....	7
Hot Water Valve Decal	F231367 .....	7

---

**I**

Injection Nozzle	F8322001 .....	23
Injection Nozzle Kit	F730168 .....	23
Input Block Decal	F0231636-00 .....	13
Input Power Block	F140747 .....	55
	F140794-1 .....	13, 21
Input Power Decal	F231437 .....	21

---

Insulator Bushing	F140909 .....	13, 21
Interlock Contactor	F330186P .....	11, 19
Interlock Switch	F340900 .....	41
Interlock Switch Spacer	F601055 .....	41

---

**J**

Jumper Kit	F784003P .....	11
------------	----------------	----

---

**K**

Key	F430801 .....	47
	F430802 .....	49, 51
	F430803 .....	51
Keymode Run/Program Switch	F340800P .....	13
Keypad	F0231582-01P .....	17
Keypad Decal	F230724P .....	9

---

**L**

Lower Door Latch Bracket Casting	F150202 .....	39
Lower Door Latch Casting	F150204 .....	39

---

**M**

Magnet	F8390801 .....	41
Magnetic Switch Assembly	F200321200 .....	41
Main Drive Kit	F380918 .....	35
Momentary Switch	F200120100 .....	9, 17
	F340412 .....	9, 17
Motor	F220410P .....	51
	F220411 .....	51
	F8330001P .....	49
	F8330101P .....	49
	F8353601P .....	49
Motor Drip Shield	F200216900 .....	49, 51
	F200280700 .....	49
Motor Pulley	F280281 .....	49
Motor Support Bushing	F200186100 .....	49

---

N/A items do not appear in index.

Motor Support Rod	
F603059	49
F603897	49
Motor Switch	
F340002	11, 19
Motor Switch Bracket	
F340704	11

## N

Nipple	
F420101	25, 27, 29, 31, 33
F420103	25, 27, 29, 31, 33
F420105	25, 27, 33
F420708	53
F420709	53
F420711	53
F421949	25, 27, 29, 31, 33
No-Swivel Coupling	
F422109	39
Nut	
F0431807-00	43
F430205	37, 45
F430211	35, 43
F430215	37, 41, 43, 49, 53, 55
F430231	9, 11, 21, 41
F430232	11, 19, 41
F430240	47
F430264	43
F431000	9, 13, 17, 21
F431002	39
F431005	35
F431021	41
F431022	13, 39
F431042	23
F431806	19
F8549401	39
70142	45
802292	23

## O

O-Ring	
F0170221-00	27, 33
F170200	39
F170208	23
F170215	23
Output Board Cover	
F0170427-00	19
Output CCA	
F037044860-2	19
F8321901P	11
Overflow Hose	
F150308	35
F150332	35
Overload Contactor	
F8344101P	11

## P

Personal Injury Warning Decal	
F231065	7, 13

Pipe Insulation	
F410300	53
Plug	
F200202600	53
F420408	29
F420409	53
Plug Cap	
F190304	23
Program Key	
F370709	13
Pulley	
F280173	47
F280420	51
F280421	51
Pulley Bushing	
F280297	51
F280298P	51
Push Decal	
F230303	41
Push Handle Kit	
F746201-1	41

## R

RC Network Filter	
F330217P	41
Rear Panel	
F200187800P	43
Rebar Frame Template	
F604226	59
Repair Kit	
F380964P	31
Resistor	
F370116	13
Retainer Ring Spinning	
F320100	39
Ribbon Cable	
F140219P	9, 11
F140247	17, 19
Ring Retainer	
F310206	39
Rub Rail	
F150407	43

## S

Screw	
F0430272-00	57
F0430273-00	57
F0430274-00	57
F0430275-00	57
F430103	35
F430107	55
F430116	45, 51
F430168	39
F430174	9
F430500	37
F430903	11, 13, 19
F430909	41
F430910	11, 13, 21
F430917	9, 17, 23, 39, 41
F430920	21
F430921	43

N/A items do not appear in index.

F430924 .....	45	Spray Rinse Bracket Assembly	
F430927 .....	39, 47	F602901P .....	39
F430928 .....	9, 11, 17, 19	Spray Rinse Hose Kit	
F430935 .....	37, 49, 53	F730025 .....	39
F430938 .....	13, 27, 33, 55	Spray Rinse Nozzle Kit	
F430956 .....	43	F730077 .....	39
F430960 .....	57	Spray Rinse Strap	
F430987 .....	47	F602880 .....	39
F430995 .....	21	Spray Rinse Tube Assembly	
F430996 .....	41	F603696-7 .....	39
F431702 .....	19	Standoff	
F432234 .....	43	F180501 .....	19
F432259 .....	57	F180506 .....	11
F432260 .....	57	Steam Bracket Weldment	
F8136401 .....	9	F0635785-00 .....	53
201415 .....	17	Steam Filter	
70240301 .....	9, 17, 43	F270307 .....	53
800461 .....	51	Steam Hose	
Shaft Seal Alignment Fixture		F200517 .....	53
F0100312-00 .....	59	Steam Injector Tube Assembly	
Shaft Seal Sleeve		F603131 .....	53
F8312003P .....	37	Steam Kit	
F8312008P .....	37	F635782 .....	53
Sheave Pulley		F635782-1 .....	53
F280172 .....	47	Strain Relief Adapter Kit	
Shell Assembly		F749802 .....	23
F634508 .....	37	Strain Relief Connector	
F634510 .....	37	F140340P .....	23
Shell Band Fastener Kit		Street Elbow	
F791001 .....	37	F420500 .....	25, 27, 29, 31, 33
Shell Band Kit		F420502 .....	25
F741701 .....	37	H86070034 .....	53
Shell Front Assembly		Stud Weldment	
F200119800 .....	37	F630315 .....	39
Shell Front Gasket Kit		Supply Dispenser Hazard Caution Decal	
F792000 .....	37	F231436 .....	7, 23
Shell Front Kit		Supply Dispenser Spacer	
F741305 .....	37	F0150525-00 .....	23
Shell Mounting Bracket		Switch Clamp	
F601806 .....	37, 45	F0340722-00 .....	19
Shell Weldment		Switch Mode Decal	
F633964-1 .....	37	F0231632-01 .....	13
F634082-1 .....	37	F231581 .....	13
F634510-1 .....	37	Swivel Coupling	
Side Panel		F422108 .....	39
F0635735-00P .....	43		
Signal Light			
F350404 .....	13		
Snap Bushing			
F140938 .....	15, 17		
Soap Dispenser Shroud Weldment			
F8024302 .....	23		
Solenoid Spacer			
F609728 .....	41		
Spanner Bit			
F704907 .....	57		
Splice Harness			
F0637544-01 .....	51		
F200095100 .....	51		
Spray Plumbing Assembly			
F0637633-01 .....	27		
F0637633-03 .....	27		
F633150-1 .....	25		
F633150-5 .....	25		

## T

Tee	
F420400 .....	27, 29, 31, 33
F420401 .....	25
F422806 .....	17
Temperature Probe	
F370606P .....	55
Terminal Block	
F140776 .....	13, 21
M413865 .....	55
This Machine Must Be Protected Decal	
F230301 .....	7
Tie Wrap Mounting Clamp	
F140602 .....	9
Top Latch Bracket Casting	
F150201P .....	39

N/A items do not appear in index.

Torx Bit	
281P4 .....	57
Transformer	
F360156P .....	37, 53
Trim	
F170400RP .....	23, 43
Triple Lip Seal	
F8203802 .....	47
F8203805 .....	47
Trunnion Kit	
F747002 .....	47
F747004 .....	47
Tube Connector	
F422106 .....	25, 27
Tubing	
F422404P .....	15, 17

F8195301 .....	23
M400014 .....	35, 45, 51
M400081 .....	37, 45, 51
20290 .....	25, 27, 29, 31, 33
803615 .....	25, 27, 29, 31, 33
901690 .....	49
Water Hose	
F200164 .....	25, 27, 29, 31, 33
F200166 .....	25, 27, 29, 31, 33
F200509 .....	29, 31, 33
Water Level Switch	
F0340345-10P .....	15, 17
Water Pressure Switch	
F8223001P .....	17
WE-6 Computer	
F370534-00P .....	9

## U

U-Bolt Clamp	
F200401P .....	25, 27, 29, 31, 33, 53

## V

Vacuum Breaker Cap	
F0380808-00 .....	27, 33
Vacuum Breaker Kit	
F0798922-00 .....	27, 33
Vacuum Breaker Valve	
F063754701P .....	25, 27, 33
Valve	
F381703P .....	29
F8322801P .....	53
F8322803P .....	25, 27, 29, 31, 33
Valve Kit	
F8379501 .....	53
Valve Repair Kit	
F380993P .....	31, 33
Valve Transition Kit	
F8456201 .....	33
F8456201P .....	25, 27, 29, 31
Valve, 4-Way	
F381723P .....	15, 17

## W

Washer	
F0431159-00 .....	47
F430300 .....	51
F430311 .....	55
F430317 .....	37, 43
F431100 .....	39, 41, 43
F431104 .....	41
F431106 .....	13, 21
F431108 .....	9, 13, 17
F431113 .....	9, 17
F431118 .....	39
F431123 .....	9, 17
F431125 .....	9
F431131 .....	47
F431142 .....	41
F431147 .....	23, 35

N/A items do not appear in index.