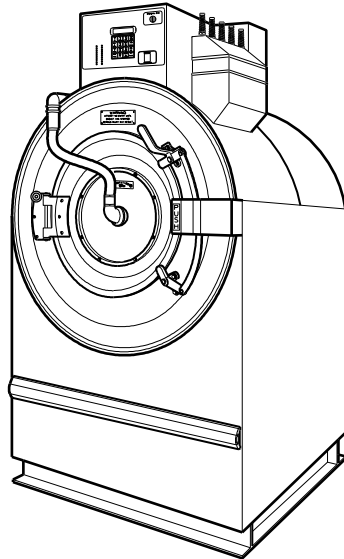


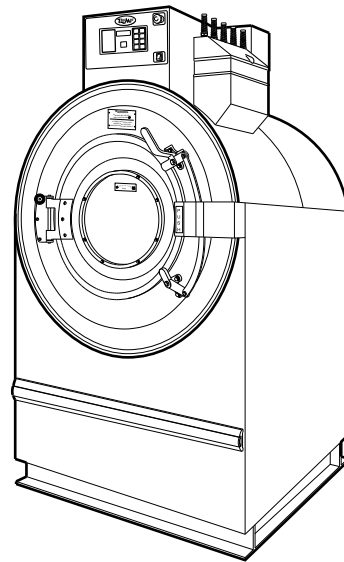
Washer-Extractor

Pocket Hardmount

Refer to Page 5 for Model Numbers



Model UW35PV



Models UW35AV and UW35VV

PHM1406C_F232164

Table of Contents

Title	Page
Parts Ordering Information.....	3
Serial Plate Location	3
Model Identification	5
Product Info - Ordering AC Drives for Models UW35PVTU5.....	6
Product Info - Ordering AC Drives for Models UW35PVQU5	6
Product Info - Ordering AC Drives for Models UW35PVNU5 and UW35PVPU5.....	6
Product Info - Ordering AC Drives for Models UW35PVTU6, UW35PVTU7 and UW35PVTU8.....	7
Product Info - Ordering AC Drives for Models UW35PVQU6, UW35PVQU7 and UW35PVQU8	7
Product Info - Ordering AC Drives for Models UW35PVNU6, UW35PVNU7, UW35PVNU8, UW35PVPU6, UW35PVPU7 and UW35PVPU8	7
Pocket Hardmount Washer-Extractor Product Overview	8
Decals	10
Control Module - Model UW35PV (Drawing 1 of 4)	12
Control Module - Model UW35VV (Drawing 1 of 4)	14
Control Module - Model UW35AV (Drawing 1 of 4)	16
Control Module - Model UW35PV (Drawing 2 of 4)	18
Control Module - Models UW35AV and UW35VV (Drawing 2 of 4).....	20
Control Module (Drawing 3 of 4)	22
Control Module (Drawing 4 of 4)	24
AC Drive - 160-Series AC Drive Kits.....	26
AC Drive - PowerFlex 40 AC Drive Kits	28
Balance Switch, Temperature Probe and Rotation Sensor - Model UW35PV.....	30
Supply Dispenser	32
Spray Plumbing - UW35PV Design 5 and 6 Models	34
Spray Plumbing - UW35PV Design 7 and 8 Models	36
Fill Plumbing - UW35PV Design 5 and 6 Models Through February 29, 2002	38
Fill Plumbing - UW35PV Design 5 and 6 Models Starting March 1, 2002	40
Fill Plumbing - UW35PV Design 7 and 8 Models and Models UW35AV and UW35VV.....	42
Drain Valve and Hoses	44
Basket and Shell	46
Door and Spray Rinse.....	48
Door Box	50
Panels	52
Frame.....	54
Motor and Pulley - Model UW35PV	56
Motor and Pulley - Models UW35AV and UW35VV	58
Electric Heat Option	60
Steam Heat Option and Transformers	62
Wet-Clean Assembly Control Module - Model UW35PV	64
Wet-Clean Assembly Main View - Model UW35PV	66
Security Fasteners	68

© Copyright 2015, Alliance Laundry Systems LLC

All rights reserved. No part of the contents of this book may be reproduced or transmitted in any form or by any means without the expressed written consent of the publisher.

Special Tools	70
Motor Manufacturer's Part Number on the Motor's Nameplate - Model UW35PV	72
Parts Index.....	75

Parts Ordering Information

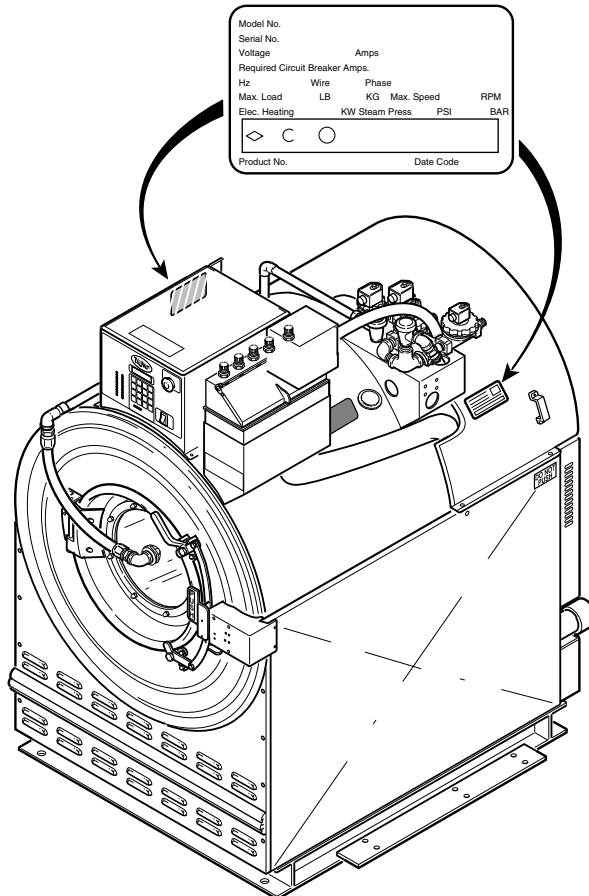
If literature or replacement parts are required, contact the source from whom the machine was purchased or contact Alliance Laundry Systems at (920) 748-3950 for the name and address of the nearest authorized parts distributor.

For technical assistance, call either of the numbers listed below:

(920) 748-3121 Ripon, Wisconsin
+32 56 41 20 54 Wevelgem, Belgium

Serial Plate Location

When calling or writing about your product, be sure to mention model and serial numbers. Model and serial numbers are located on serial plate(s) as shown.



PHM2462P_F232164

Model Identification

Information in this manual is applicable to this washer-extractor model:

UW35AV

UW35PV

UW35VV

NOTE: This manual applies to models with either 5, 6, 7 or 8 in the 9th position in the model number (e.g. UW35PVQU50001)

Product Info - Ordering AC Drives for Models UW35PVTU5

MOTOR (MANUFACTURER PART NO.)**	DRIVE RETROFIT KIT (PART NO.)	REPLACEMENT (USED IF DRIVE RETROFIT KIT HAS ALREADY BEEN INSTALLED)
F220215M (F-391719-61)	160-Series AC Drive Kit (F0370843-784)	N/A
F0220242-00 (392281)	160-Series AC Drive Kit (F0370843-785)	N/A
F220439-00 (F-392446-60)	160-Series AC Drive Kit (F0370843-787)	N/A
F220215U (G63653)	160-Series AC Drive Kit (F0370843-806)	N/A

N/A = Part no longer available

** NOTE: Refer to *Motor Manufacturer's Part Number on the Motor's Nameplate* for help with determining your motor's part number.

Product Info - Ordering AC Drives for Models UW35PVQU5

MOTOR (MANUFACTURER PART NO.)**	DRIVE RETROFIT KIT (PART NO.)	REPLACEMENT (USED IF DRIVE RETROFIT KIT HAS ALREADY BEEN INSTALLED)
F220215M (F-391719-61)	160-Series AC Drive Kit (F0370857-777)	N/A
F0220242-00 (392281)	160-Series AC Drive Kit (F0370857-778)	N/A
F0220439-00 (F-392446-60)	160-Series AC Drive Kit (F0370857-786)	N/A
F220215U (G63653)	160-Series AC Drive Kit (F0370857-805)	N/A

N/A = Part no longer available

** NOTE: Refer to *Motor Manufacturer's Part Number on the Motor's Nameplate* for help with determining your motor's part number.

Product Info - Ordering AC Drives for Models UW35PVNU5 and UW35PVPU5

MOTOR (MANUFACTURER PART NO.)**	DRIVE RETROFIT KIT (PART NO.)	REPLACEMENT (USED IF DRIVE RETROFIT KIT HAS ALREADY BEEN INSTALLED)
F220215M (F-391719-61)	160-Series AC Drive Kit (F0370858-777)	N/A
F0220242-00 (392281)	160-Series AC Drive Kit (F0370858-778)	N/A
F220439-00 (F-392446-60)	160-Series AC Drive Kit (F0370858-786)	N/A
F220215U (G63653)	160-Series AC Drive Kit (F0370858-805)	N/A

N/A = Part no longer available

** NOTE: Refer to *Motor Manufacturer's Part Number on the Motor's Nameplate* for help with determining your motor's part number.

Product Info - Ordering AC Drives for Models UW35PVTU6, UW35PVTU7 and UW35PVTU8

MOTOR (MANUFACTURER PART NO.)**	DRIVE RETROFIT KIT (PART NO.)	REPLACEMENT (USED IF DRIVE RETROFIT KIT HAS ALREADY BEEN INSTALLED)
F0220439-00 (F392446-60)	160-Series AC Drive Kit (F0370843-770)	N/A

N/A = Part no longer available

** NOTE: Refer to *Motor Manufacturer's Part Number on the Motor's Nameplate* for help with determining your motor's number.

Product Info - Ordering AC Drives for Models UW35PVQU6, UW35PVQU7 and UW35PVQU8

MOTOR (MANUFACTURER PART NO.)**	DRIVE RETROFIT KIT (PART NO.)	REPLACEMENT (USED IF DRIVE RETROFIT KIT HAS ALREADY BEEN INSTALLED)
F0220439-00 (F392446-60)	160-Series AC Drive Kit (F0370857-771)	N/A

N/A = Part no longer available

** NOTE: Refer to *Motor Manufacturer's Part Number on the Motor's Nameplate* for help with determining your motor's part number.

Product Info - Ordering AC Drives for Models UW35PVNU6, UW35PVNU7, UW35PVNU8, UW35PVPU6, UW35PVPU7 and UW35PVPU8

MOTOR (MANUFACTURER PART NO.)**	DRIVE RETROFIT KIT (PART NO.)	REPLACEMENT (USED IF DRIVE RETROFIT KIT HAS ALREADY BEEN INSTALLED)
F0220439-00 (F392446-60)	160-Series AC Drive Kit (F0370858-771)	N/A

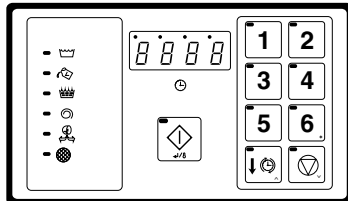
N/A = Part no longer available

** NOTE: Refer to *Motor Manufacturer's Part Number on the Motor's Nameplate* for help with determining your motor's number.

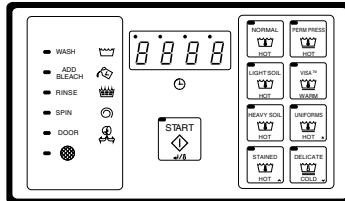
Pocket Hardmount Washer-Extractor Product Overview

Model No. UW60AMXUB0001
 Serial No. 0000000000
 Voltage 200 – 240 Amps 10
 Circuit Breaker 15 Amps
 Hz 50 – 60 Wire 2/3 Phase S 3
 Max. Load 60 LB 27 KG Max. Speed 594 RPM
 Elec. Heating N/A Steam Press. N/A PSI 0.0 BAR

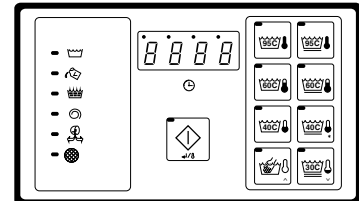
Drawings:
 ETL Listed
 Conforms To ANSI/UL Std. 1206, 3rd Ed
 Certified To CAN/CSA Std. C22.2 No.53-1968



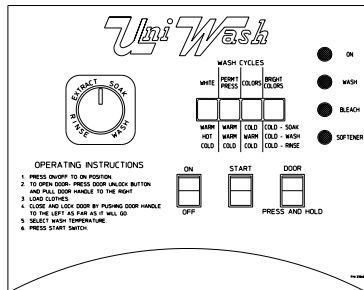
A-Control



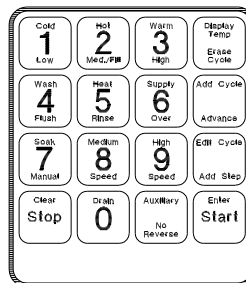
B-Control (Domestic)



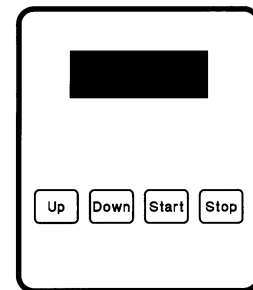
B-Control (International)



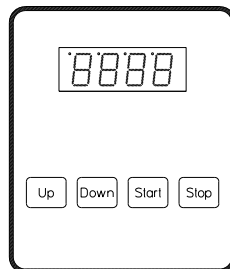
Mechanical Timer



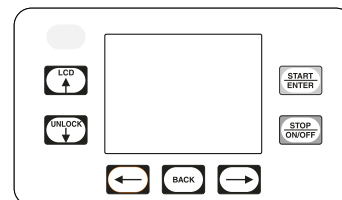
WE-6 Control



S-Computer



V-Computer



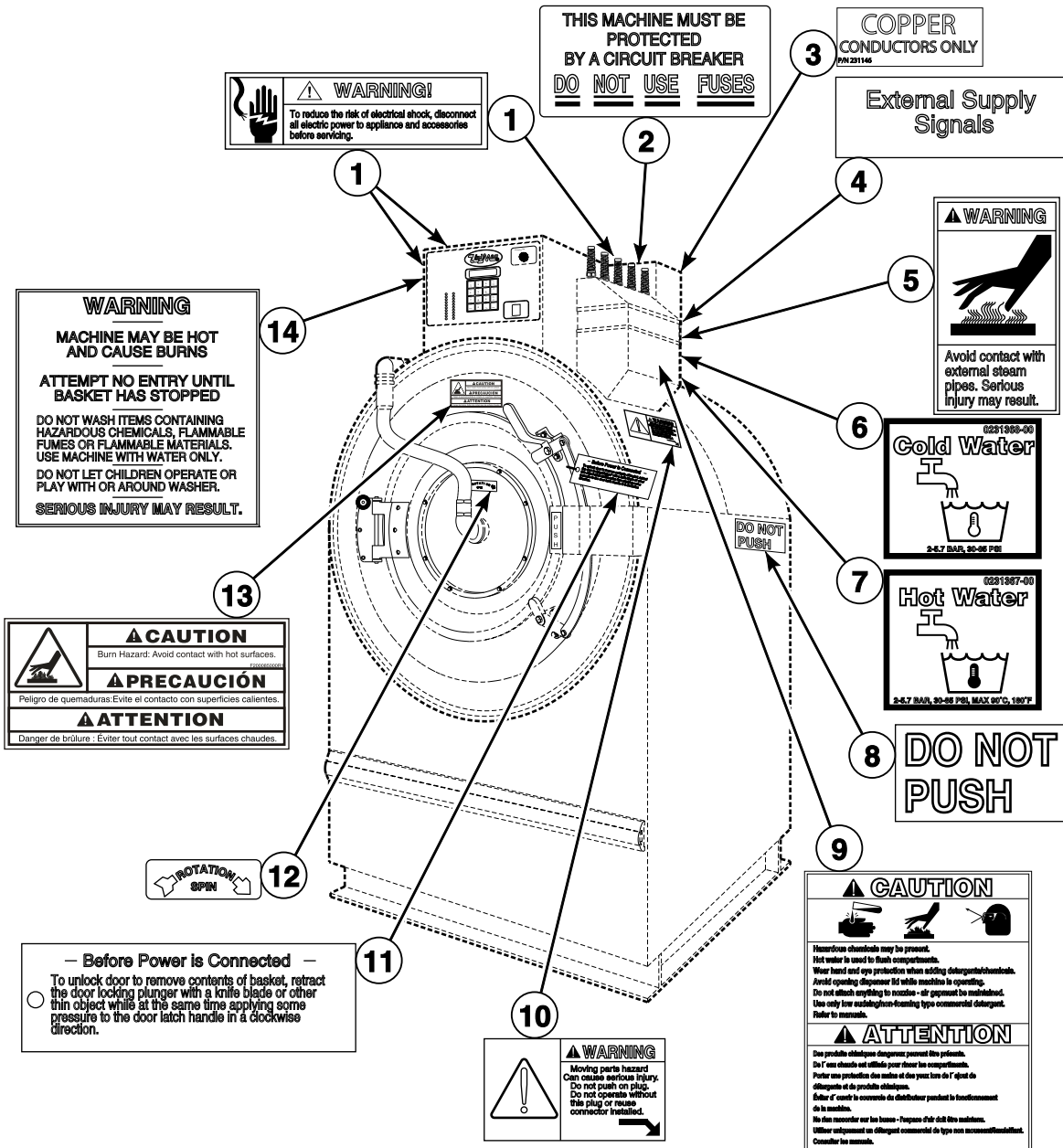
UniLinc Control

PHM2979P_F232164

Pocket Hardmount Washer-Extractor Product Overview

REF	PART NO.	DESCRIPTION	COMMENTS
1	-	Product Family	UW
2	-	Capacity (Pounds)	35 60 80 100 125 150
3	-	Control	A (A-Control) B (B-Control) M (Mechanical Timer) P (WE-6 Control) S (S-Computer) V (V-Computer) T (UniLinc Control)
4	-	Speed	2 (2-Speed) 3 (3-Speed) 4 (4-Speed) V (Variable-Speed)
5	-	Voltage	F (440-480/60/3/3) N (440-480/50-60/3/3) O (208-240/60/3/3) P (380-415/60-60/3/3) Q (200-208/220-240/50/60/3ph) R (380-415/440-480/50/60/3ph) X (200-220/220-240/50/60/1-3) Y (208-240/60/1/2)
6	-	OEM	U (Standard Specs)
7	-	Design Series	1-8

Decals

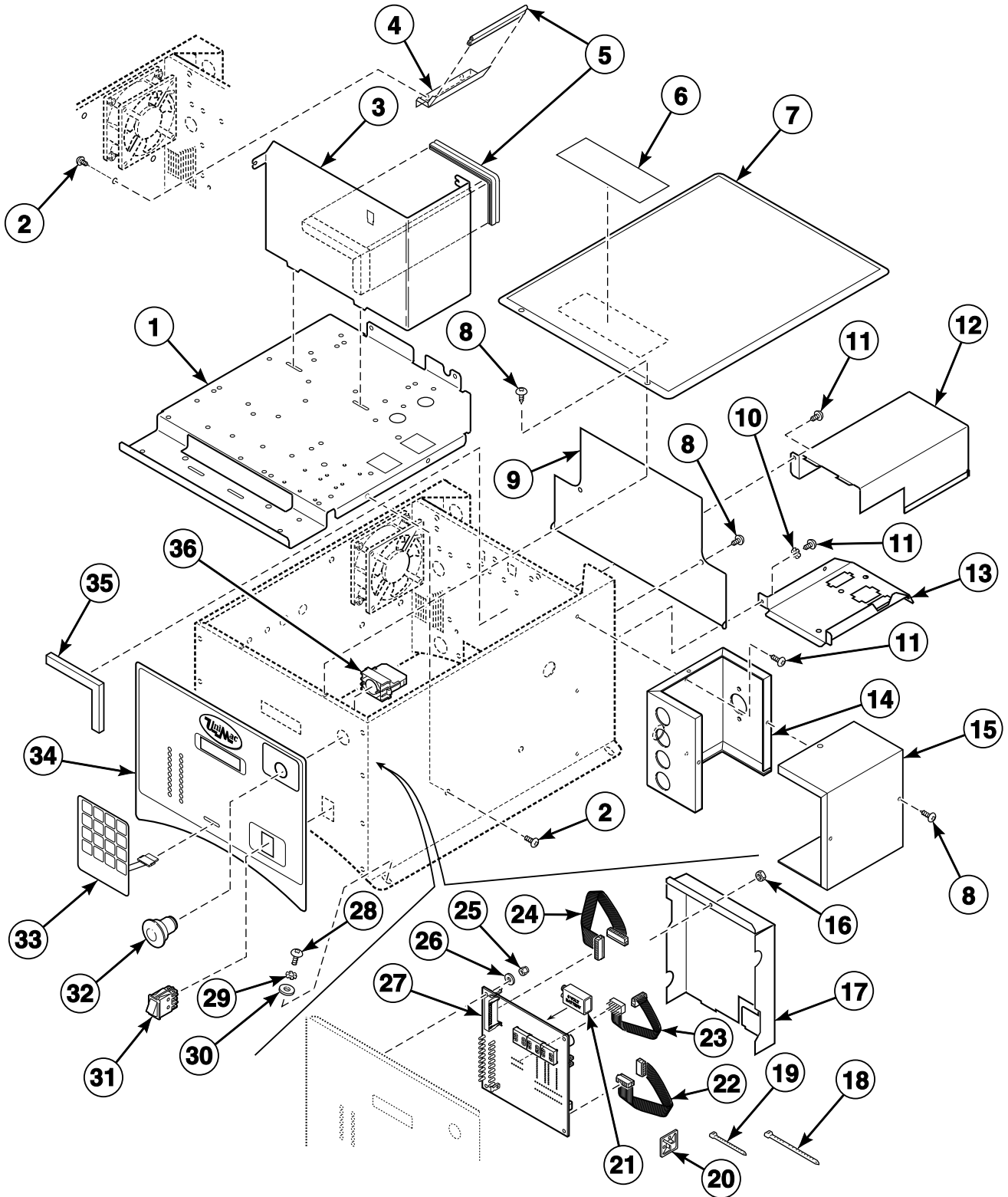


PHM2885P_F232164

Decals

REF	PART NO.	DESCRIPTION	COMMENTS
1	505281	Disconnect Power Warning Label	
2	F230301	This Machine Must Be Protected Decal	
3	F231146	Conductor Decal	
4	F230764-10	External Supply Connection Decal	Model UW35PV
	F230764-9	External Supply Connection Decal	Model UW35PV
	F230917-1	External Supply Connection Decal	Models UW35AV and UW35VV
5	F231380	Hot Surface Warning Decal	
6	F231368	Cold Water Valve Decal	
7	F231367	Hot Water Valve Decal	
8	F230302	Do Not Push Decal	
9	F231436	Supply Dispenser Hazard Caution Decal	
10	F0230112-00	Plug Removal Warning Decal	Model UW35PV
11	F230501	Before Power Is Connected Tag	
12	F230652	Clockwise Spin Rotation Decal	
13	F200085000	Hot Surface Warning Decal	
14	F231065	Personal Injury Warning Decal	

Control Module - Model UW35PV (Drawing 1 of 4)



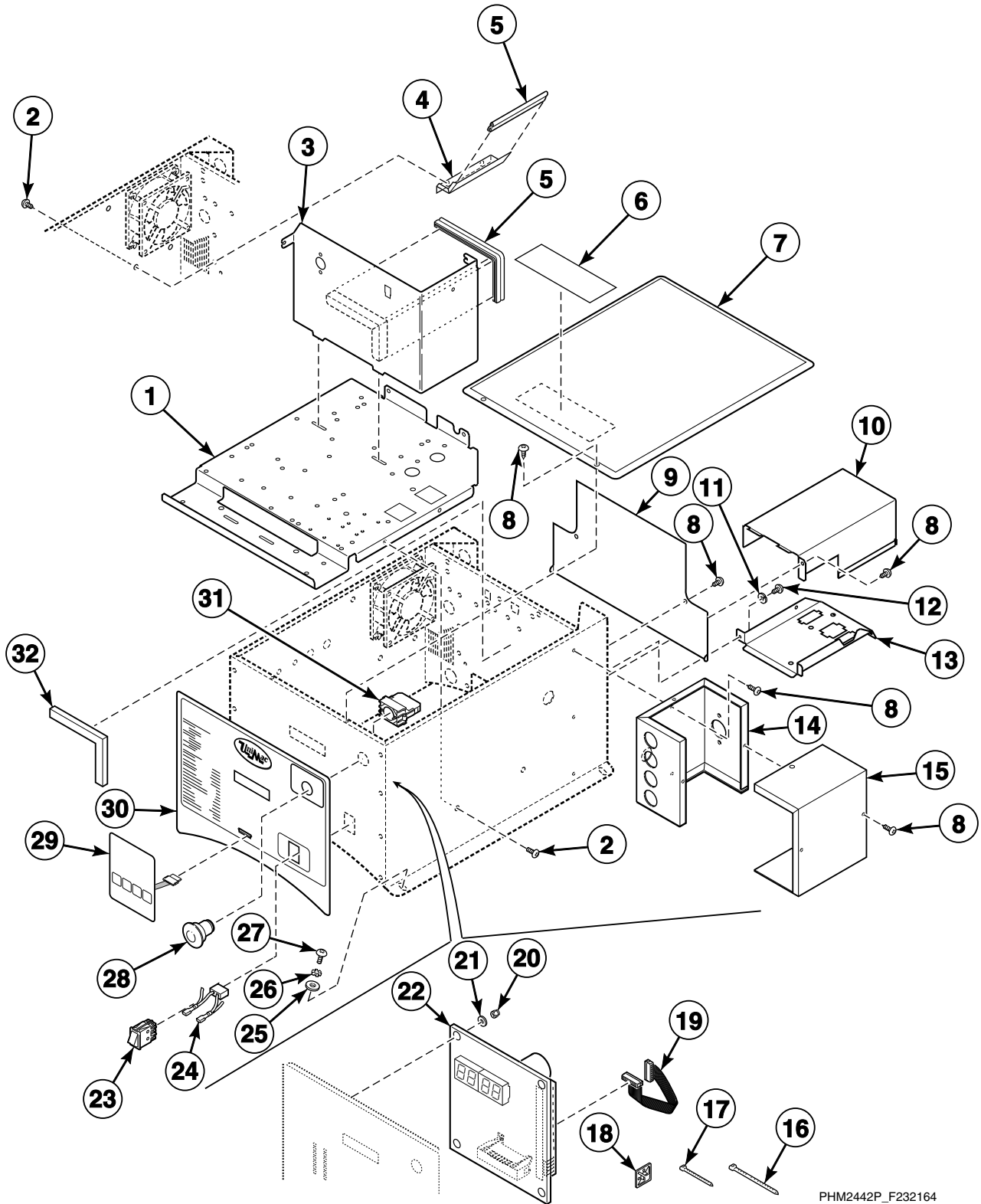
PHM2493P_F232164

Control Module - Model UW35PV (Drawing 1 of 4)

REF	PART NO.	DESCRIPTION	COMMENTS
1	N/A	Control Mounting Panel Assembly	
2	F430928	Screw	
3	F635366	AC Drive Partition	Design 5, 6 and 7
	F0635366-01	AC Drive Partition	Design 8
4	F0637748-00	Air Flow Ramp Assembly	
5	F170404	Trim	Order 1 foot
6	505281	Disconnect Power Warning Label	
7	F635456	Control Module Cover	
8	70240301	Screw	
9	F635448	Electrical Access Panel	Design 5 and 6
	F0637549-00	Electrical Access Panel	Design 7 and 8
10	F431113	Washer	
11	F430917	Screw	
12	F635478	Cable Tray Cover	
13	F635615-1	Cable Tray Assembly	
14	F635468	External Supply Box	
15	F635365	External Supply Box Cover	
16	F431000	Nut	
17	F606826	Computer Cover	
18	F140606	Cable Tie	15 inch
19	F140605	Cable Tie	6 inch
20	F140602	Tie Wrap Mounting Clamp	
21	F191101	Battery	9 Volt; Backup
22	F140218P	Ribbon Cable	16 conductor; 12 inch; From interface board to computer board; J8 plug
23	F140248P	Ribbon Cable	16 conductor; 15 inch; From computer board to interface board; J1 plug; DIP socket
24	F140219P	Ribbon Cable	26 conductor; 15 inch; From computer board to output board
25	F430231	Nut	
26	F431125	Washer	
27	F037062441P	WE-6 Computer	
28	F8136401	Screw	
29	F431108	Washer	
30	F431123	Washer	
31	F340412	Momentary Switch	Models through 5/26/2004
	F200120100	Momentary Switch	Models starting 5/27/2004
32	N/A	Emergency Stop Pushbutton	800E-series; Models through 9/30/07; Order F200233700P Emergency Stop Button Kit
	F200233700P	Emergency Stop Button Kit	800E-series to 800F-series conversion; Includes F200233500 Emergency Stop Pushbutton and F200233401 Contact Block Switch
	F200233500	Emergency Stop Pushbutton	800F-series; Models starting 10/1/2007
33	F230724P	Keypad Decal	
34	F231562	Control Module Decal	
35	N/A	Seal	Order 1 foot
36	F340445	Contact Block Switch	800E-series; Models through 9/30/2007; Includes mounting base
	F200299500	Contact Block Switch	800E-series; Models through 9/30/2007; Does not include mounting base
	F200233401P	Contact Block Switch	800F-series; Models starting 10/1/2007; Includes F8069501 Contact Switch and F8538101 Contact Base
	F8069501	Contact Switch	Models starting 10/1/2007
	F8538101	Contact Base	Models starting 10/1/2007

N/A = Part no longer available

Control Module - Model UW35VV (Drawing 1 of 4)



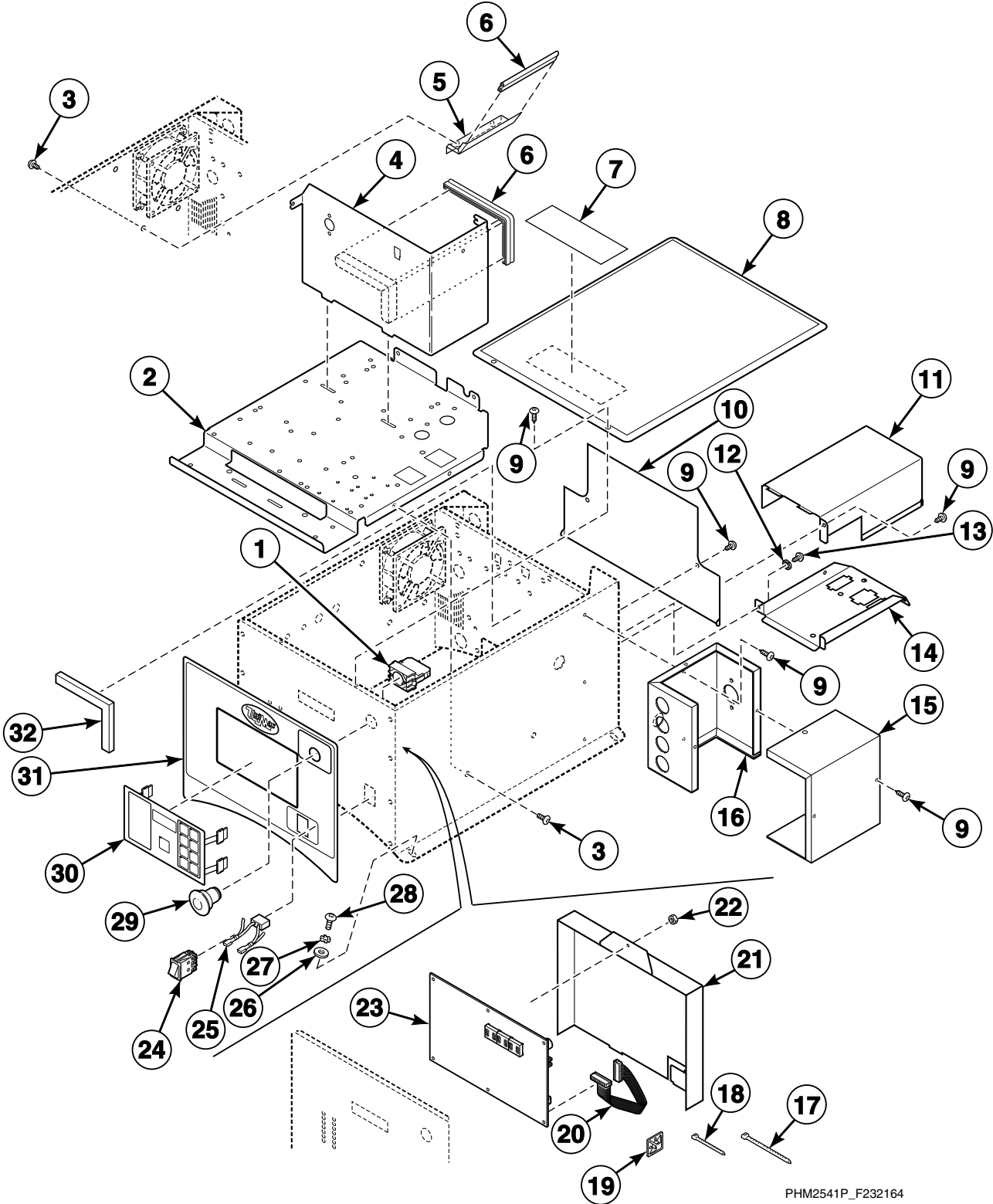
PHM2442P_F232164

Control Module - Model UW35VV (Drawing 1 of 4)

REF	PART NO.	DESCRIPTION	COMMENTS
1	N/A	Control Mounting Panel Assembly	
2	F430928	Screw	
3	F635366	AC Drive Partition	
4	F0637748-00	Air Flow Ramp Assembly	
5	F170404	Trim	Order 1 foot
6	505281	Disconnect Power Warning Label	
7	F634558	Control Module Cover	
8	70240301	Screw	
9	F0637549-00	Electrical Access Panel	
10	F635478	Cable Tray Cover	
11	F431113	Washer	
12	F430917	Screw	
13	F635615-2	Cable Tray Assembly	
14	F635468	External Supply Box	
15	F635365	External Supply Box Cover	
16	F140606	Cable Tie	15 inch
17	F140605	Cable Tie	6 inch
18	F140602	Tie Wrap Mounting Clamp	
19	F140219P	Ribbon Cable	26 conductor; 15 inch; Connects the microcomputer board to output board cca
20	F430231	Nut	
21	F431125	Washer	
22	F0370313-09P	Microcomputer	
23	F340412	Momentary Switch	Models through 5/26/2004
	F200120100	Momentary Switch	Models starting 5/27/2004
24	F330217P	RC Network Filter	Includes F140627 Connector and F141022 Connector
25	F431123	Washer	
26	F431108	Washer	
27	F8136401	Screw	
28	N/A	Emergency Stop Pushbutton	800E-series; Models through 9/30/2007; Order F200233700P Emergency Stop Button Kit
	F200233700P	Emergency Stop Button Kit	800E-series to 800F-series conversion; Includes F200233500 Emergency Stop Pushbutton and F200233401 Contact Block Switch
	F200233500	Emergency Stop Pushbutton	800F-series; Models starting 10/1/2007
29	F370576P	Keypad	
30	F231417	Control Module Decal	
31	F340445	Contact Block Switch	800E-series; Models through 9/30/2007; Includes mounting base
	F200299500	Contact Block Switch	800E-series; Models through 9/30/2007; Does not include mounting base
	F200233401P	Contact Block Switch	800F-series; Models starting 10/1/2007; Includes F8069501 Contact Switch and F8538101 Contact Base
	F8069501	Contact Switch	Models starting 10/1/2007
	F8538101	Contact Base	Models starting 10/1/2007
32	N/A	Seal	Order 1 foot

N/A = Part no longer available

Control Module - Model UW35AV (Drawing 1 of 4)



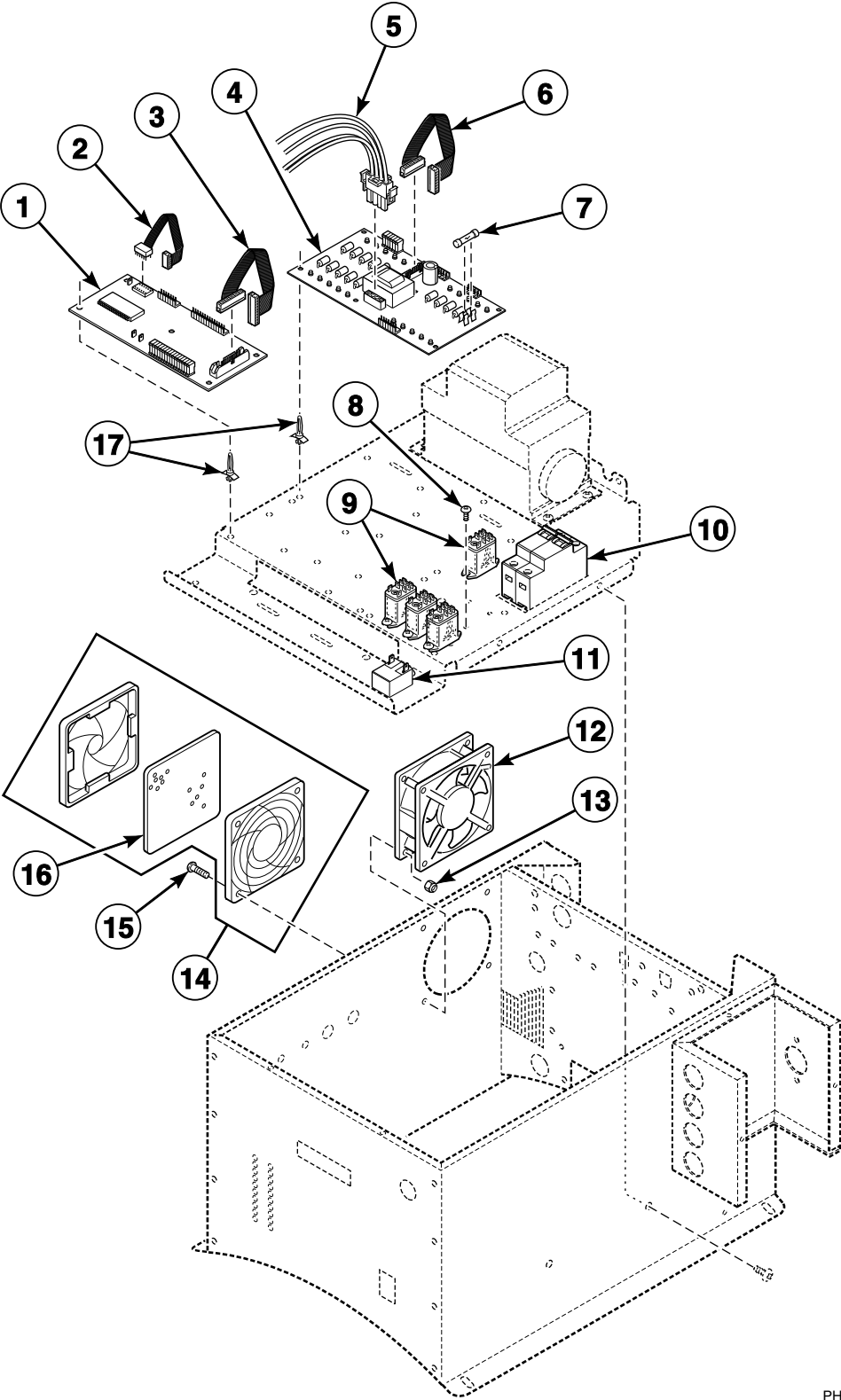
PHM2541P_F232164

Control Module - Model UW35AV (Drawing 1 of 4)

REF	PART NO.	DESCRIPTION	COMMENTS
1	F340445	Contact Block Switch	800E-series; Models through 9/30/2007; Includes mounting base
	F200299500	Contact Block Switch	800E-series; Models through 9/30/2007; Does not include mounting base
	F200233401P	Contact Block Switch	800F-series; Models starting 10/1/2007; Includes F8069501 Contact Switch and F8538101 Contact Base
	F8069501	Contact Switch	Models starting 10/1/2007
	F8538101	Contact Base	Models starting 10/1/2007
2	N/A	Control Mounting Panel Assembly	
3	F430928	Screw	
4	F635366	AC Drive Partition	
5	F0637748-00	Air Flow Ramp Assembly	
6	F170404	Trim	Order 1 foot
7	505281	Disconnect Power Warning Label	
8	F634558	Control Module Cover	
9	70240301	Screw	
10	F0637549-00	Electrical Access Panel	
11	F635478	Cable Tray Cover	
12	F431113	Washer	
13	F430917	Screw	
14	F635615-2	Cable Tray Assembly	
15	F635365	External Supply Box Cover	
16	F635468	External Supply Box	
17	F140606	Cable Tie	15 inch
18	F140605	Cable Tie	6 inch
19	F140602	Tie Wrap Mounting Clamp	
20	F140219P	Ribbon Cable	26 conductor; 15 inch; Connects the microcomputer to the output board cca
21	F0636887-00	Control Cover	
22	F430231	Nut	
23	F037047530P	Computer	
24	F200120100	Momentary Switch	
25	F330217P	RC Network Filter	Includes F140627 Connector and F141022 Connector
26	F431123	Washer	
27	F431108	Washer	
28	F8136401	Screw	
29	N/A	Emergency Stop Pushbutton	800E-series; Models through 9/30/2007; Order F200233700P Emergency Stop Button Kit
	F200233700P	Emergency Stop Button Kit	800E-series to 800F-series conversion; Includes F200233500 Emergency Stop Pushbutton and F200233401 Contact Block Switch
	F200233500	Emergency Stop Pushbutton	800F-series; Models starting 10/1/2007
30	F023158231P	Keypad	
31	F0231565-00	Control Module Decal	
32	N/A	Seal	Order 1 foot

N/A = Part no longer available

Control Module - Model UW35PV (Drawing 2 of 4)

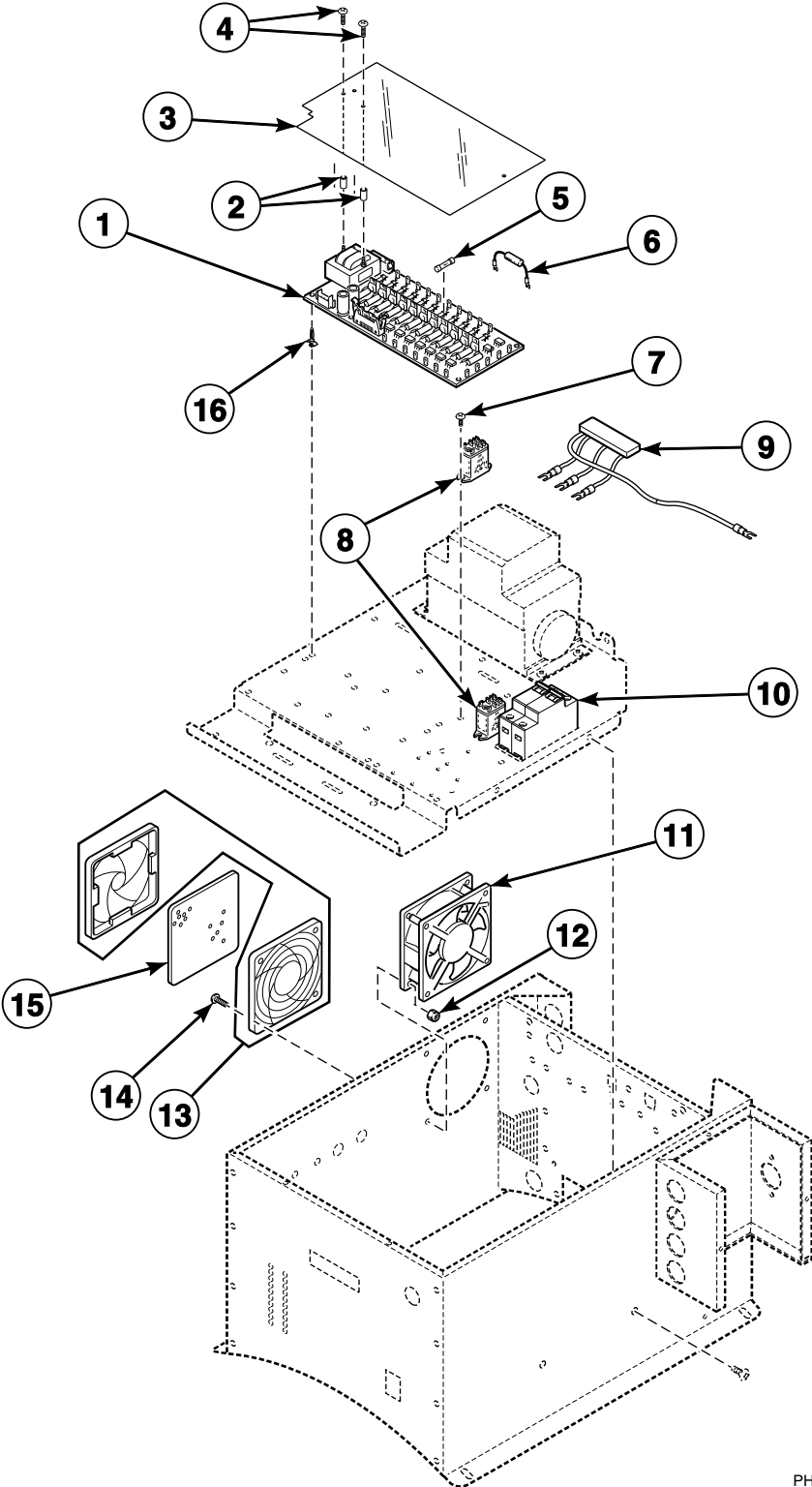


PHM2446P_F232164

Control Module - Model UW35PV (Drawing 2 of 4)

REF	PART NO.	DESCRIPTION	COMMENTS
1	F370446-1P	WE-6 Interface CCA Kit	Screw wire terminal connectors
	F0370446-21P	WE-6 Interface CCA Kit	Post wire terminal connectors
2	F140218P	Ribbon Cable	16 conductor; 12 inch; From interface board to computer board; J8 plug
3	F140248P	Ribbon Cable	16 conductor; 15 inch; From interface board to computer board; J1 plug; DIP socket
4	F8321901P	Output CCA	
5	F784003P	Jumper Kit	
6	F140219P	Ribbon Cable	26 conductor; 15 inch; From computer to output board
7	F350108	Fuse	1/8 Amp; Slo blo
	F350109	Fuse	1/2 Amp; Fast blo
	F350110	Fuse	1 Amp; Slo blo
8	F0430165-00	Screw	
9	F330230	Flange Relay	220 Volt
10	F8303001P	Circuit Breaker	
11	F300206	Buzzer	220 Volt
12	F110105	Muffin Fan	220 Volt; 4 inch
13	F430231	Nut	
14	F220900	Filter Retainer Guard	Includes item 16
15	F430910	Screw	
16	F200318900P	Filter	
17	F180506	Standoff	

Control Module - Models UW35AV and UW35VV (Drawing 2 of 4)

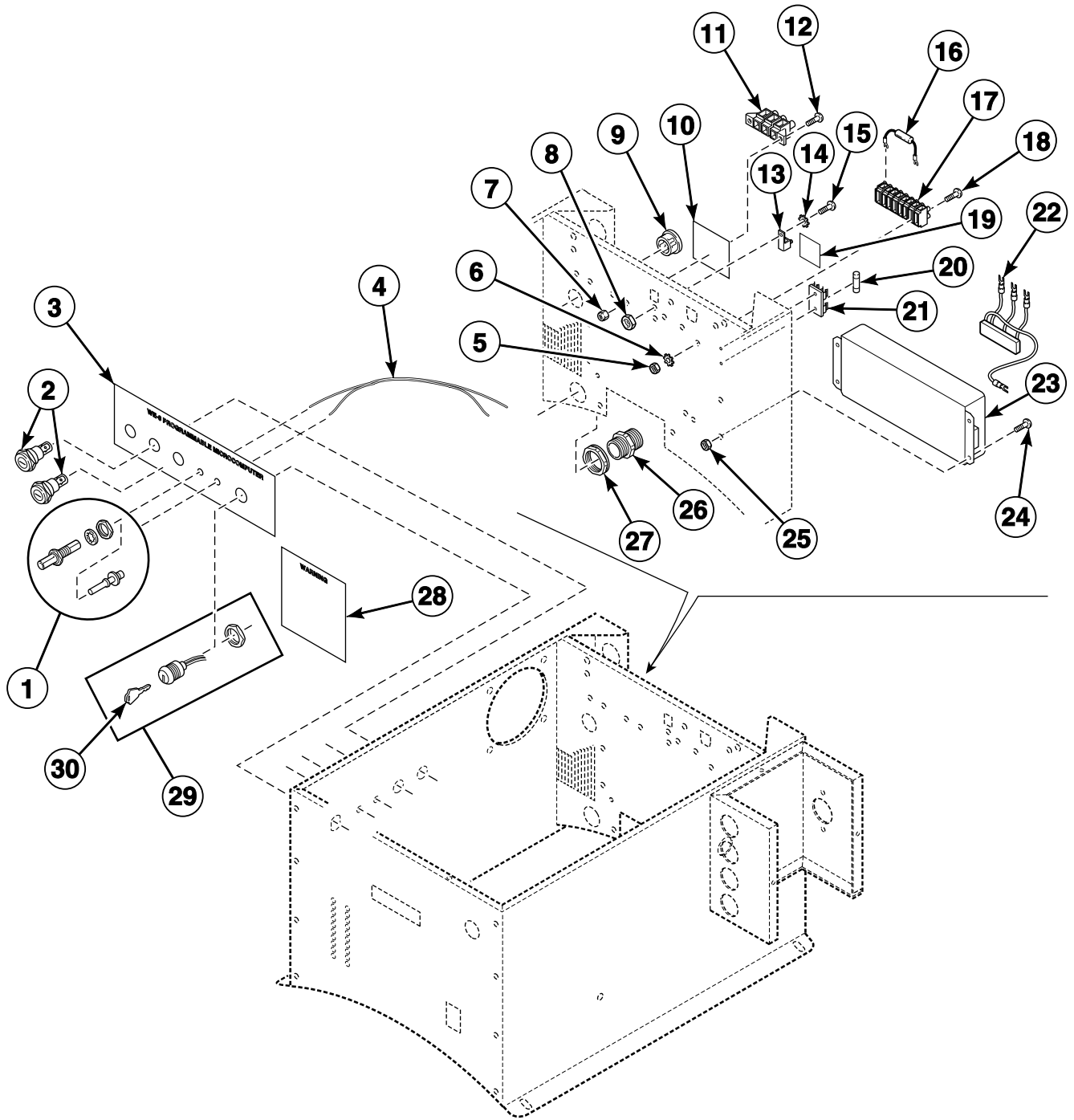


PHM2819P_F232164

Control Module - Models UW35AV and UW35VV (Drawing 2 of 4)

REF	PART NO.	DESCRIPTION	COMMENTS
1	F370447-6P	Output Board CCA	Model UW35VV
	F037044860-2	Output CCA	Model UW35AV
2	F431806	Nut	Model UW35AV
3	F0170427-00	Output Board Cover	Model UW35AV
4	F431702	Screw	Model UW35AV
5	F350108	Fuse	1/8 Amp; Slo blo
	F350109	Fuse	1/2 Amp; Fast blo
	F350110	Fuse	1 Amp; Slo blo
	F350142	Fuse	2 Amp; Slo blo
6	F370116	Resistor	
7	F0430165-00	Screw	
8	F330230	Flange Relay	220 Volt
9	F200320900	AC Drive Radio Filter Assembly	
10	F8303001P	Circuit Breaker	N-voltage
11	F110105	Muffin Fan	220 Volt; 4 inch
12	F430231	Nut	
13	F220900	Filter Retainer Guard	
14	F430910	Screw	
15	F200318900P	Filter	
16	F180506	Standoff	

Control Module (Drawing 3 of 4)



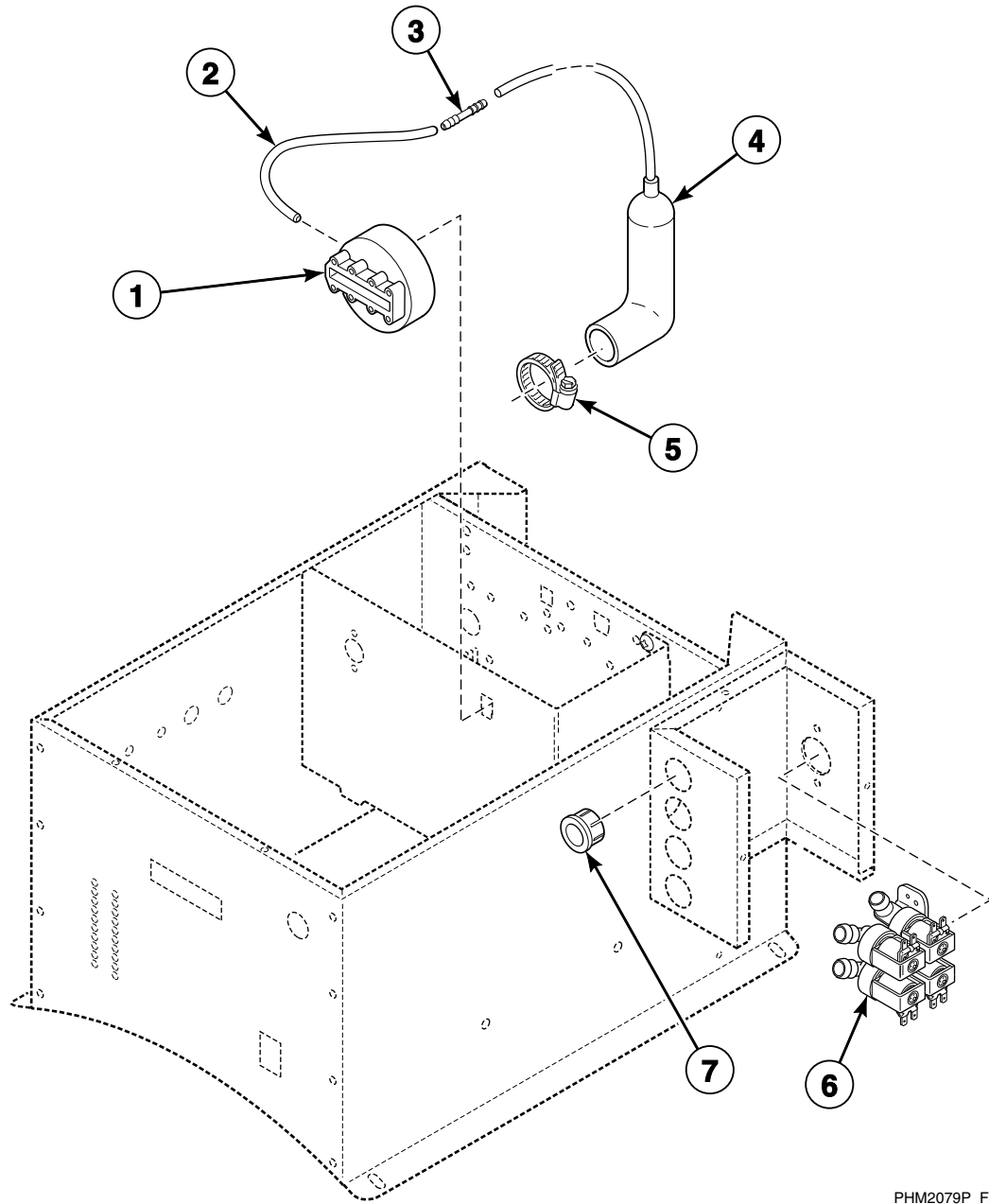
PHM2543P_F232164

Control Module (Drawing 3 of 4)

REF	PART NO.	DESCRIPTION	COMMENTS
1	F140575P	Connector	Gray; Model UW35PV
	F140576P	Connector	Blue; Model UW35PV
2	F350218	Circuit Breaker	1 Amp; Model UW35PV through 5/11/2003
	F350210	Circuit Breaker	2 Amp; Model UW35PV through 5/11/2003
	F0350313-00P	Fuse Holder	Model UW35PV starting 5/12/2003; Models UW35AV and UW35VV
	F350142	Fuse	2 Amp; Slo blo; Model UW35PV starting 5/12/2003; Models UW35AV and UW35VV
3	F231564	Switch Mode Decal	Model UW35PV through 5/11/2003
	F0231632-01	Switch Mode Decal	Model UW35PV starting 5/12/2003
	F0231629-00	Fuse Decal	Models UW35AV and UW35VV
4	F604713	Cable Assembly	Model UW35PV
5	F431006	Nut	
6	F431108	Washer	
7	F431022	Nut	
8	F431000	Nut	
9	F140909	Insulator Bushing	
10	F0231636-00	Input Block Decal	
11	F140794-1	Input Power Block	
12	F430938	Screw	
13	F140734	Ground Terminal Lug	
14	F431106	Washer	
15	F430903	Screw	
16	F370116	Resistor	Model UW35PV
17	F140782	Terminal Block	11 place
18	F430995	Screw	
19	F230630	Ground Decal	
20	F350115	Fuse	3 Amp; Fast blo
21	F0350312-10	Fuse Holder	
22	F200320900	AC Drive Radio Filter Assembly	Model UW35PV
23	F330280P	EMI Filter	Option/export; Q-voltage
	F330281	EMI Filter	Option/export; N and P-voltage
	F330285	EMI Filter	Option/export; T-voltage
	F8080001P	AC Drive Resistor Assembly	200 Volt; Model UW35PV
	F8079901P	AC Drive Resistor Assembly	400 Volt; Model UW35PV
24	F430909	Screw	
25	F431016	Nut	
26	N/A	Connector	CE models; PG21
	F180486	Cap Plug	Used in place of items 26 and 27 on non-CE models
27	N/A	Nut	CE models
28	F231065	Personal Injury Warning Decal	Model UW35PV
29	F200174600P	Keymode Assembly	Model UW35PV; N and P-voltage models starting 10/7/2004 through 1/14/2005; Includes item 30
	F340800P	Keymode Run/Program Switch	Model UW35PV; All other voltage models through 10/6/2004 and starting 1/15/2005; Includes item 30
30	F370709	Program Key	Model UW35PV; N and P-voltage; Key code A153

N/A = Part no longer available

Control Module (Drawing 4 of 4)

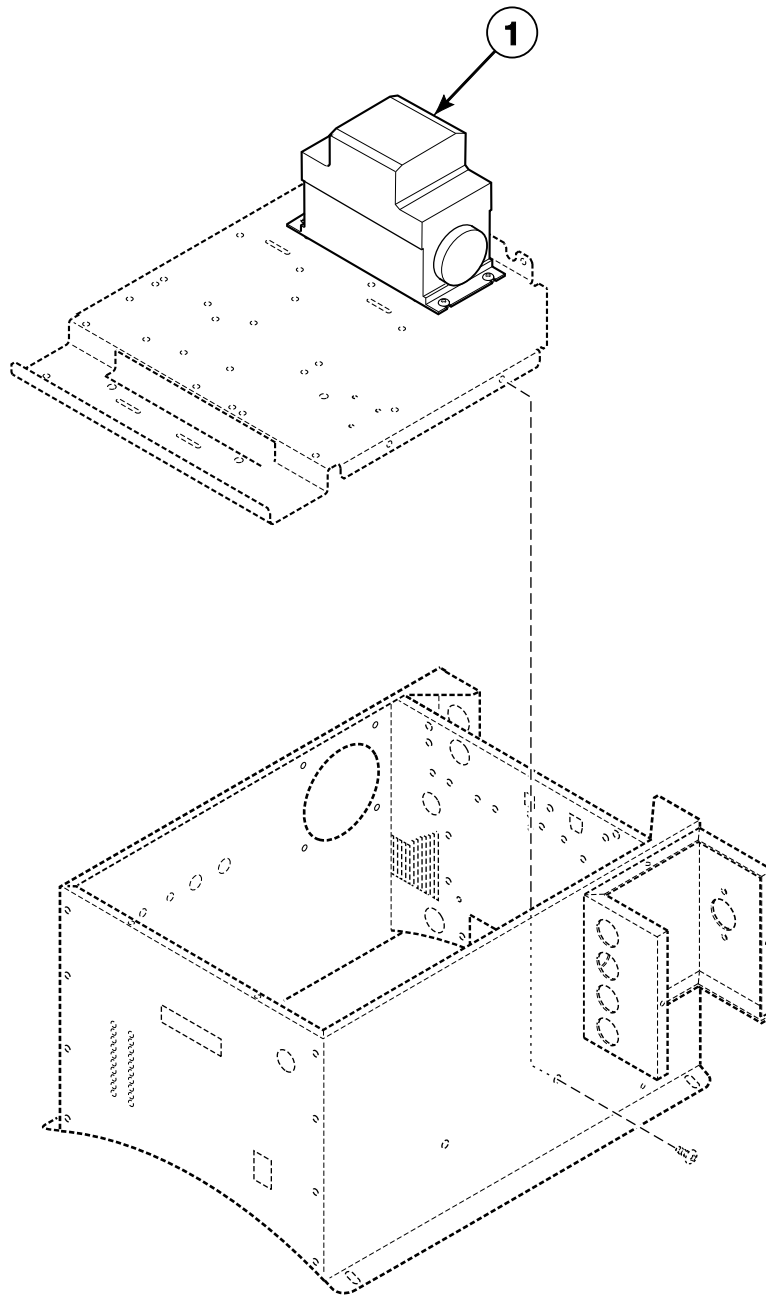


PHM2079P_F232164

Control Module (Drawing 4 of 4)

REF	PART NO.	DESCRIPTION	COMMENTS
1	F0340345-10P	Water Level Switch	
2	F422500	Connector	
3	F422404P	Tubing	
4	F020014200	Air Trap Hose	
5	F200215	Hose Clamp	No. 28
6	F381723P	4-Way Valve	220 Volt
	G582P3	Diaphragm and Guide Kit	
7	F140938	Snap Bushing	

AC Drive - 160-Series AC Drive Kits



PHM2447P_F232164

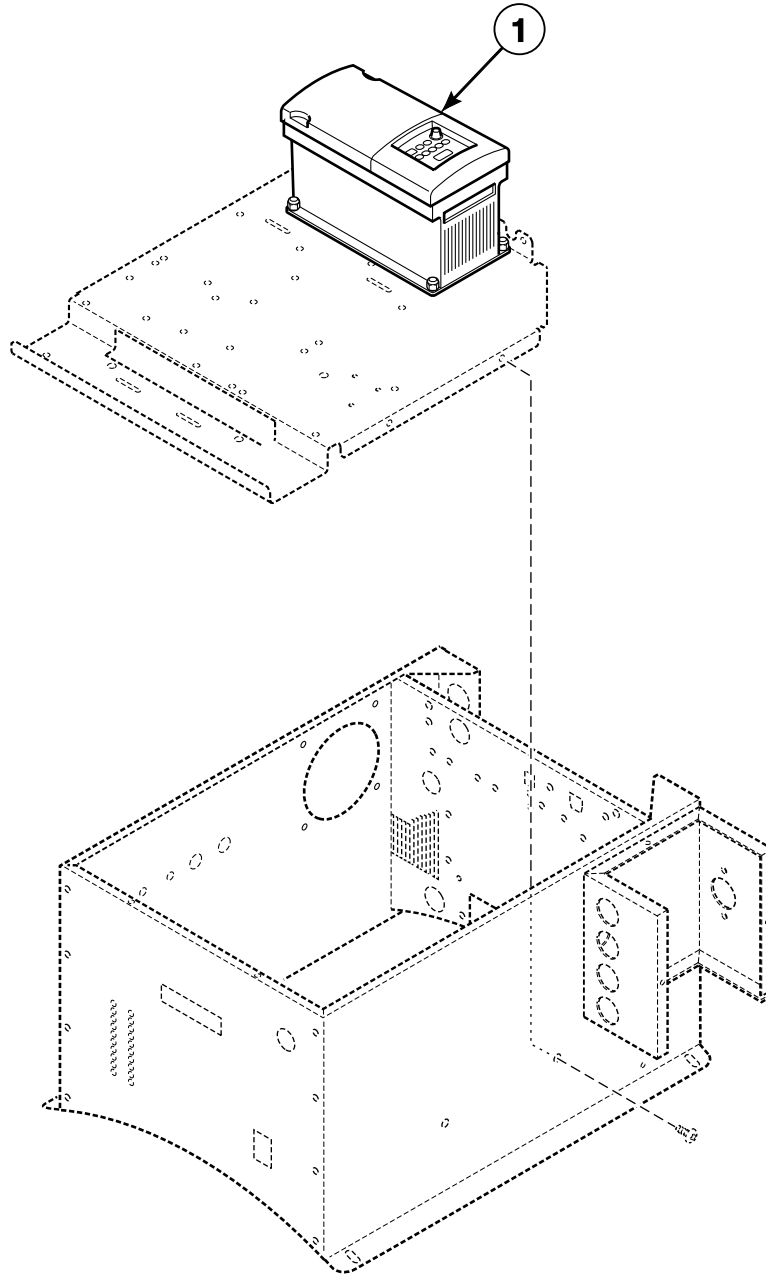
AC Drive - 160-Series AC Drive Kits

REF	PART NO.	DESCRIPTION	COMMENTS
1	N/A	160-Series AC Drive Kit	UW35PV design 5 T-voltage models; Replaces F370843 Inverter Drive; Used with F220215M Motor (Motor manufacturer Part No.* F-391719-61)
	F0370843-785	160-Series AC Drive Kit	UW35PV design 5 T-voltage models; Replaces F370843 Inverter Drive; Used with F0220242-00 Motor (Motor manufacturer Part No.* 392281)
	N/A	160-Series AC Drive Kit	UW35PV design 5 T-voltage models; Replaces F370843 Inverter Drive; Used with F0220439-00 Motor (Motor manufacturer Part No.* F-392446-60)
	N/A	160-Series AC Drive Kit	UW35PV design 5 T-voltage models; Replaces F370843 Inverter Drive; Used with F220215U Motor (Motor manufacturer Part No.* G63653)
	N/A	160-Series AC Drive Kit	UW35PV design 5 Q-voltage models; Replaces F370857 Inverter Drive; Used with F220215M Motor (Motor manufacturer Part No.* F-391719-61)
	F0370857-778	160-Series AC Drive Kit	UW35PV design 5 Q-voltage models; Replaces F370857 Inverter Drive; Used with F0220242-00 Motor (Motor manufacturer Part No.* 392281)
	N/A	160-Series AC Drive Kit	UW35PV design 5 Q-voltage models; Replaces F370857 Inverter Drive; Used with F0220439-00 Motor (Motor manufacturer Part No.* F-392446-60)
	N/A	160-Series AC Drive Kit	UW35PV design 5 Q-voltage models; Replaces F370857 Inverter Drive; Used with F220215U Motor (Motor manufacturer Part No.* G63653)
	N/A	160-Series AC Drive Kit	UW35PV design 5 N and P-voltage models; Replaces F370858 Inverter Drive; Used with F220215M Motor (Motor manufacturer Part No.* F-391719-61)
	F0370858-778	160-Series AC Drive Kit	UW35PV design 5 N and P-voltage models; Replaces F370858 Inverter Drive; Used with F0220242-00 Motor (Motor manufacturer Part No.* 392281)
	N/A	160-Series AC Drive Kit	UW35PV design 5 N and P-voltage models; Replaces F370858 Inverter Drive; Used with F0220439-00 Motor (Motor manufacturer Part No.* F-392446-60)
	N/A	160-Series AC Drive Kit	UW35PV design 5 N and P-voltage models; Replaces F370858 Inverter Drive; Used with F220215U Motor (Motor manufacturer Part No.* G63653)
	N/A	160-Series AC Drive Kit	UW35PV design 6, 7 and 8 T-voltage models; Replaces F370843 Inverter Drive; Used with F0220439-00 Motor (Motor manufacturer Part No.* F-392446-60); Order F8171401 160 to PowerFlex 40 Drive Kit
	N/A	160-Series AC Drive Kit	UW35PV design 6, 7 and 8 Q-voltage models; Replaces F370857 Inverter Drive; Used with F0220439-00 Motor (Motor manufacturer Part No.* F-392446-60); Order F8171401 160 to PowerFlex 40 Drive Kit
	N/A	160-Series AC Drive Kit	UW35PV design 6, 7 and 8 N and P-voltage models; Replaces F370858 Inverter Drive; Used with F0220439-00 Motor (Motor manufacturer Part No.* F-392446-60); Order F8171501 160 to PowerFlex 40 Drive Kit
	F370857	Inverter Drive	UW35AV and UW35VV; X-voltage
	F370858	Inverter Drive	UW35AV and UW35VV; N-voltage
	F0360158-00P	Line Reactor Kit	Models UW35AV and UW35VV; X-voltage; Use with F370857 Inverter Drive
	F0360168-00P	Line Reactor Kit	Models UW35AV and UW35VV; N-voltage; Use with F370858 Inverter Drive
	F0360159-00P	Line Reactor Kit	Model UW35PV; Design 5 T-voltage; Use with F370843 Inverter Drive

*** NOTE: Refer to the *Motor Manufacturer's Part Number on the Motor's Nameplate* section for help with locating the motor manufacturer's part number.**

N/A = Part no longer available

AC Drive - PowerFlex 40 AC Drive Kits



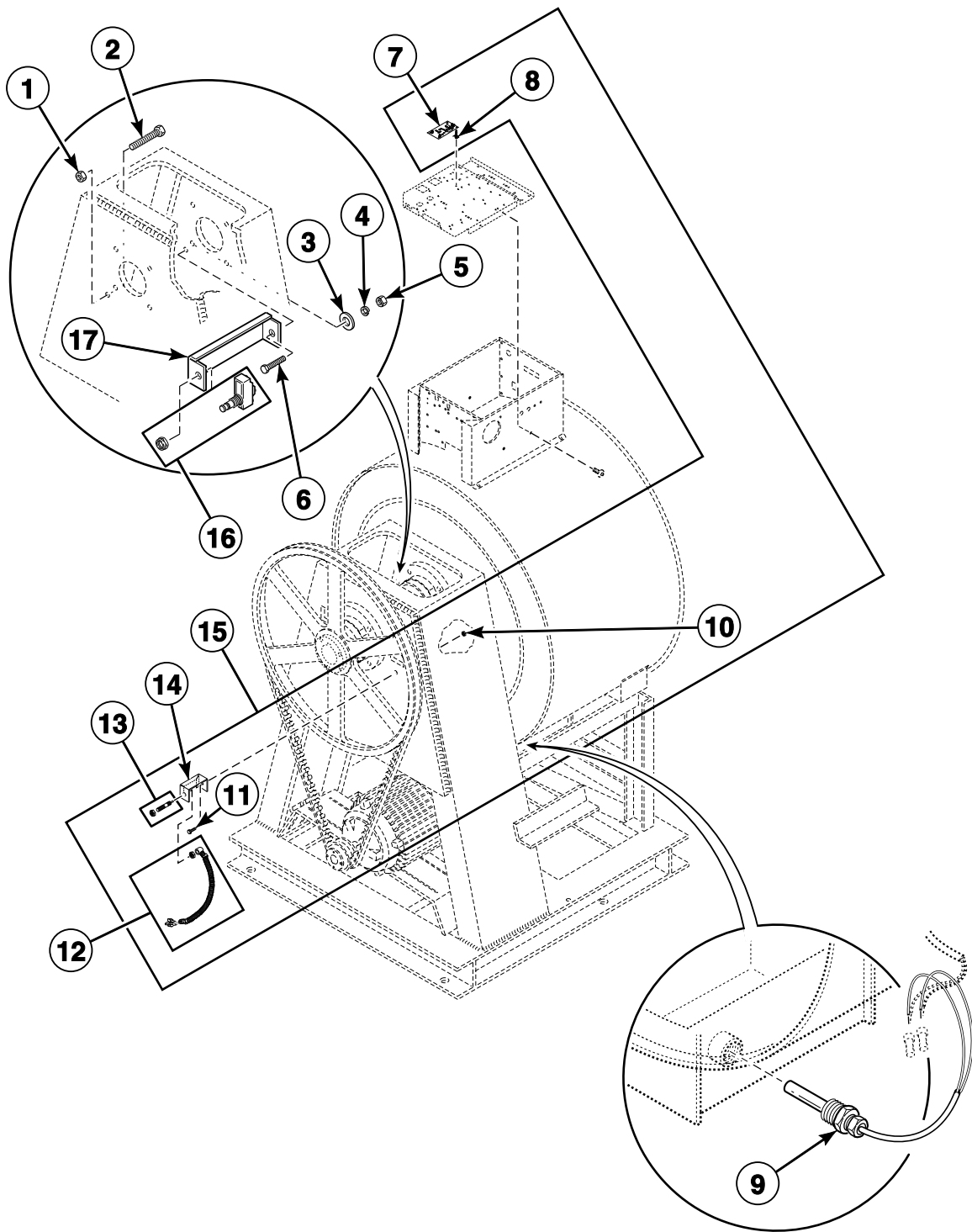
PHM3029P_F232164

AC Drive - PowerFlex 40 AC Drive Kits

REF	PART NO.	DESCRIPTION	COMMENTS
1	F8171402	160 to PowerFlex 40 Drive Kit	UW35PV design 6-8 Q and T-voltage models with Allen-Bradley 160-series drive; Includes F8103620 AC Drive
	F8171502	160 to PowerFlex 40 Drive Kit	UW35PV design 6-8 P and N-voltage models with Allen-Bradley 160-series drive; Includes F8103716 AC Drive
	F8255201	160 to PowerFlex 40 Drive Kit	UW35AV and UW35VV design 7 and 8 X-voltage models with Allen-Bradley 160-series drive; Includes F8169613 AC Drive; Used with F220394 Motor (Elmo)
	F8255203	160 to PowerFlex 40 Retrofit Kit	UW35AV and UW35VV design 7 and 8 X-voltage models with Allen-Bradley 160-series drive; Includes F8169688 AC Drive; Used with F8329101 Motor (Hanning)
	F8255301	160 to PowerFlex 40 Drive Kit	UW35AV and UW35VV design 7 and 8 P and N-voltage models with Allen-Bradley 160-series drive; Includes F8169614 AC Drive; Used with F220394 Motor (Elmo)
	F8255303	160 to PowerFlex 40 Retrofit Kit	UW35AV and UW35VV design 7 and 8 N and P-voltage models with Allen-Bradley 160-series drive; Includes F8169689 AC Drive; Used with F8329101 Motor (Hanning)

*** NOTE: Refer to the *Motor Manufacturer's Part Number on the Motor's Nameplate* section for help with locating the motor manufacturer's part number.**

Balance Switch, Temperature Probe and Rotation Sensor - Model UW35PV

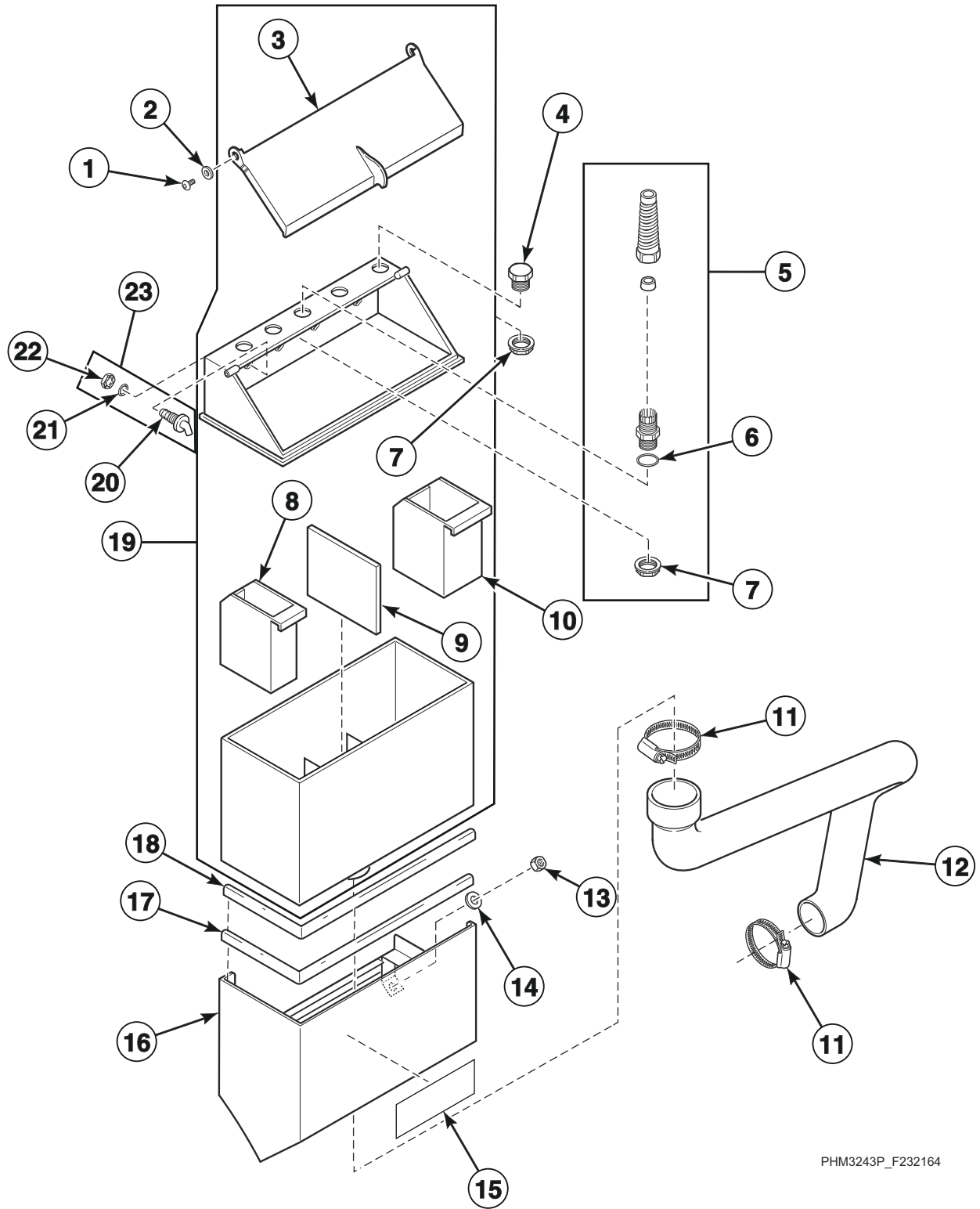


PHM2499P_F232164

Balance Switch, Temperature Probe and Rotation Sensor - Model UW35PV

REF	PART NO.	DESCRIPTION	COMMENTS
1	H88412101	Nut	
2	F430124	Screw	
3	M400081	Washer	
4	M400014	Washer	
5	20274	Nut	
6	800461	Screw	
7	F200101300P	Rotation Sensor PCB	
8	F180501	Standoff	
9	F370606P	Temperature Probe	
10	F430218	Nut	
11	F430927	Screw	
12	F8066401	Rotation Sensor Harness	
13	F200126200P	Rotation Sensor Assembly	
14	F200122500	Rotation Sensor Bracket	
15	F079900800	Rotation Sensor Retrofit Kit	Includes items 7, 8 and 10-14
16	F340900	Interlock Switch	Standard
	F340921	Switch	CE models; Used with F340924 Switch Extension
17	F601750	Balance Switch Bracket	

Supply Dispenser

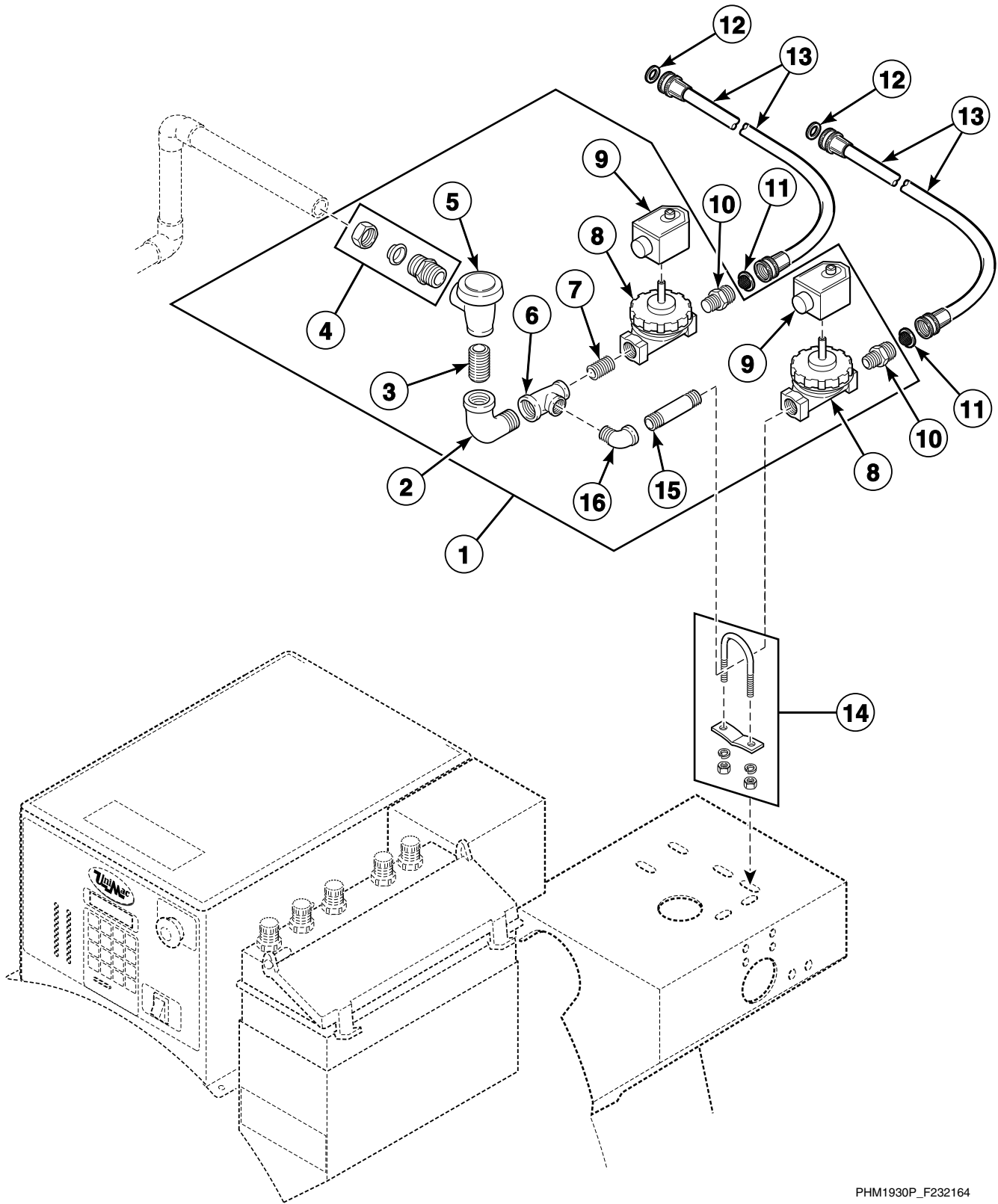


PHM3243P_F232164

Supply Dispenser

REF	PART NO.	DESCRIPTION	COMMENTS
1	F430917	Screw	
2	F8195301	Washer	
3	F0150514-00	Dispenser Lid	
4	F190304	Plug Cap	
5	F749802	Strain Relief Adapter Kit	Includes items 6 and 7
6	F170215	O-Ring	
7	F140340P	Strain Relief Connector	Includes F0431160-00 Nut
8	F150385	Chemical Supply Cup	20 ounce; 3 required
9	F0150525-00	Supply Dispenser Spacer	
10	F150386	Chemical Supply Cup	32 ounce; 2 required
11	F200213	Hose Clamp	No. 40
12	F150478	Chemical Supply Hose	
13	F431042	Nut	Loctite 262 required for installation which replaces F431100 Washer
14	F431147	Washer	
15	F231436	Supply Dispenser Hazard Caution Decal	
16	F8024302	Soap Dispenser Shroud Weldment	
17	F170158P	Gasket	
18	F170400RP	Trim	
19	F0150512-00P	Dispenser Assembly	Includes items 3 and 8-10
20	F8322001	Injection Nozzle	
21	F170208	O-Ring	
22	802292	Nut	
23	F730168	Injection Nozzle Kit	Includes items 20-22

Spray Plumbing - UW35PV Design 5 and 6 Models

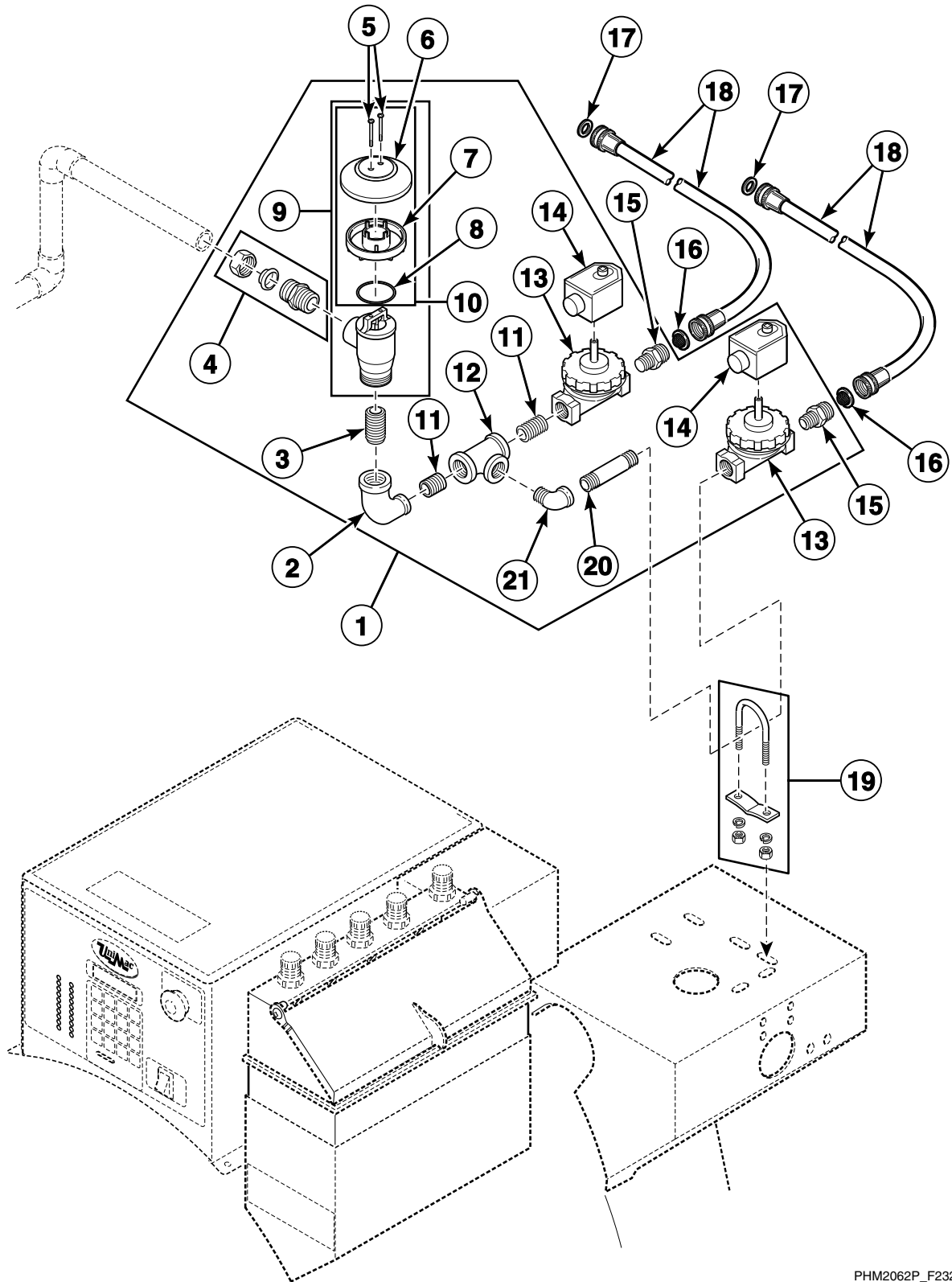


PHM1930P_F232164

Spray Plumbing - UW35PV Design 5 and 6 Models

REF	PART NO.	DESCRIPTION	COMMENTS
1	F633150-1	Spray Plumbing Assembly	220 Volt; Standard thread; Includes items 2-10, 15 and 16
	F633150-5	Spray Plumbing Assembly	220 Volt; Metric thread; Includes items 2-10, 15 and 16
2	F420502	Street Elbow	
3	F420105	Nipple	
4	F422106	Tube Connector	
5	F063754701P	Vacuum Breaker Valve	3/4 inch; F380965 Repair Kit
6	F420401	Tee	
7	F420101	Nipple	
8	F8521501	DIN Valve Kit	220 Volt; 1/2 inch; F380993 Valve Repair Kit; Parker
	F141901P	DIN Harness Assembly	
9	F380987P	DIN Coil	220 Volt
10	F421908	Hose Adapter	Standard thread
	F421949	Nipple	Metric thread
11	803615	Washer	
12	20290	Washer	
13	F200164	Water Hose	Standard thread
	F200166	Water Hose	Metric thread
14	F200401P	U-Bolt Clamp	
15	F420103	Nipple	
16	F420500	Street Elbow	

Spray Plumbing - UW35PV Design 7 and 8 Models

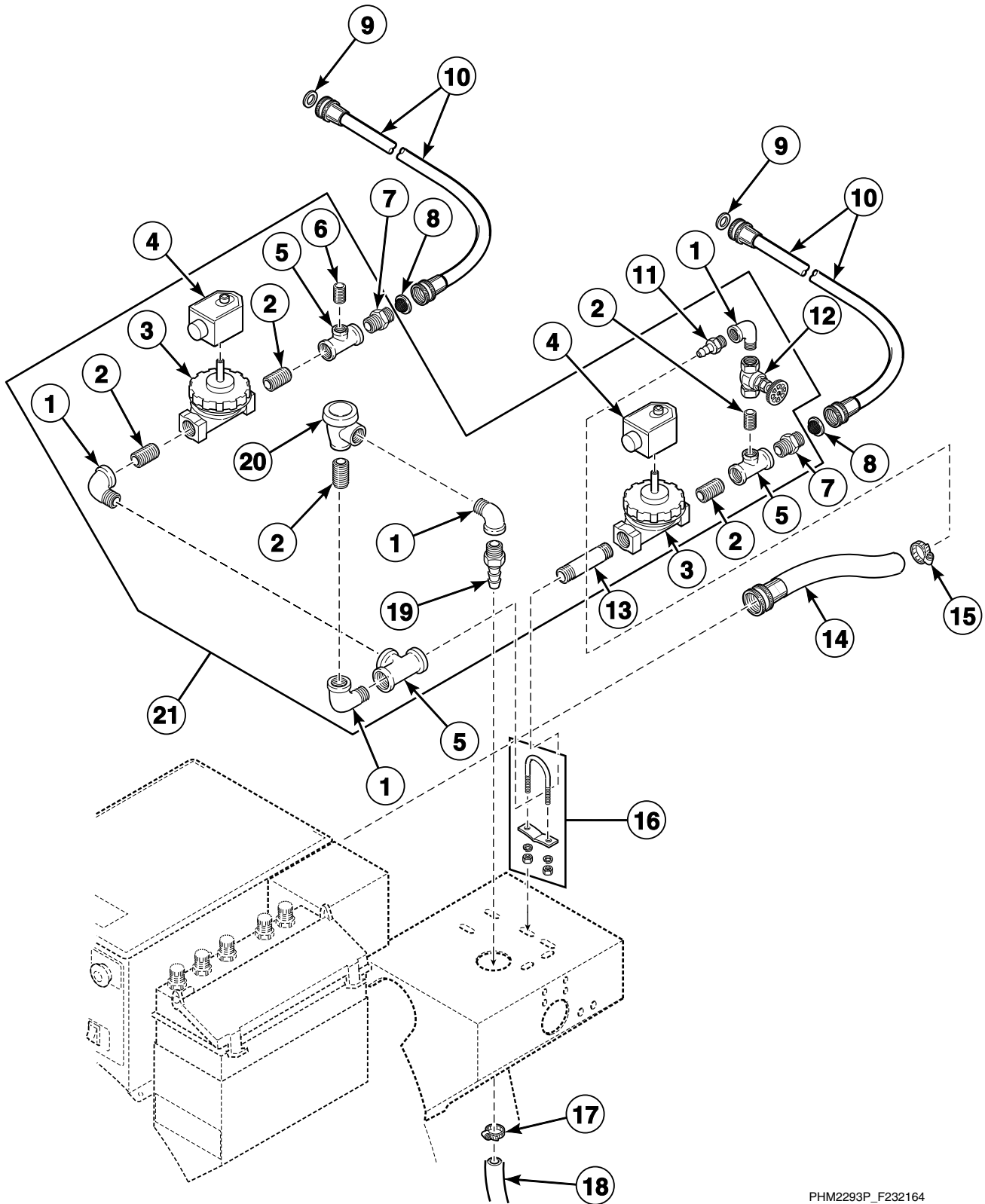


PHM2062P_F232164

Spray Plumbing - UW35PV Design 7 and 8 Models

REF	PART NO.	DESCRIPTION	COMMENTS
1	F0637633-01	Spray Plumbing Assembly	220 Volt; Includes items 2-4, 9, 11-15, 20 and 21
	F0637633-03	Spray Plumbing Assembly	220 Volt; Metric thread; Includes items 2-4, 9, 11-15, 20 and 21
2	F0422918-00	Elbow	
3	F420105	Nipple	
4	F422106	Tube Connector	
5	F430938	Screw	
6	F0380808-00	Vacuum Breaker Cap	
7	F0380809-00	Containment Device	
8	F0170221-00	O-Ring	
9	F063754701P	Vacuum Breaker Valve	3/4 inch; Includes item 10; F380965 Repair Kit
10	F0798922-00	Vacuum Breaker Kit	Includes items 5-8 and installation instructions
11	F420101	Nipple	
12	F420400	Tee	
13	F8521501	DIN Valve Kit	220 Volt; 1/2 inch; F380993 Valve Repair Kit; Parker
	F141901P	DIN Harness Assembly	
14	F380987P	DIN Coil	220 Volt
15	F421908	Hose Adapter	Standard thread
	F421949	Nipple	Metric thread
16	803615	Washer	
17	20290	Washer	
18	F200164	Water Hose	Standard thread
	F200166	Water Hose	Metric thread
19	F200401P	U-Bolt Clamp	Includes hardware
20	F420103	Nipple	
21	F420500	Street Elbow	

Fill Plumbing - UW35PV Design 5 and 6 Models Through February 29, 2002

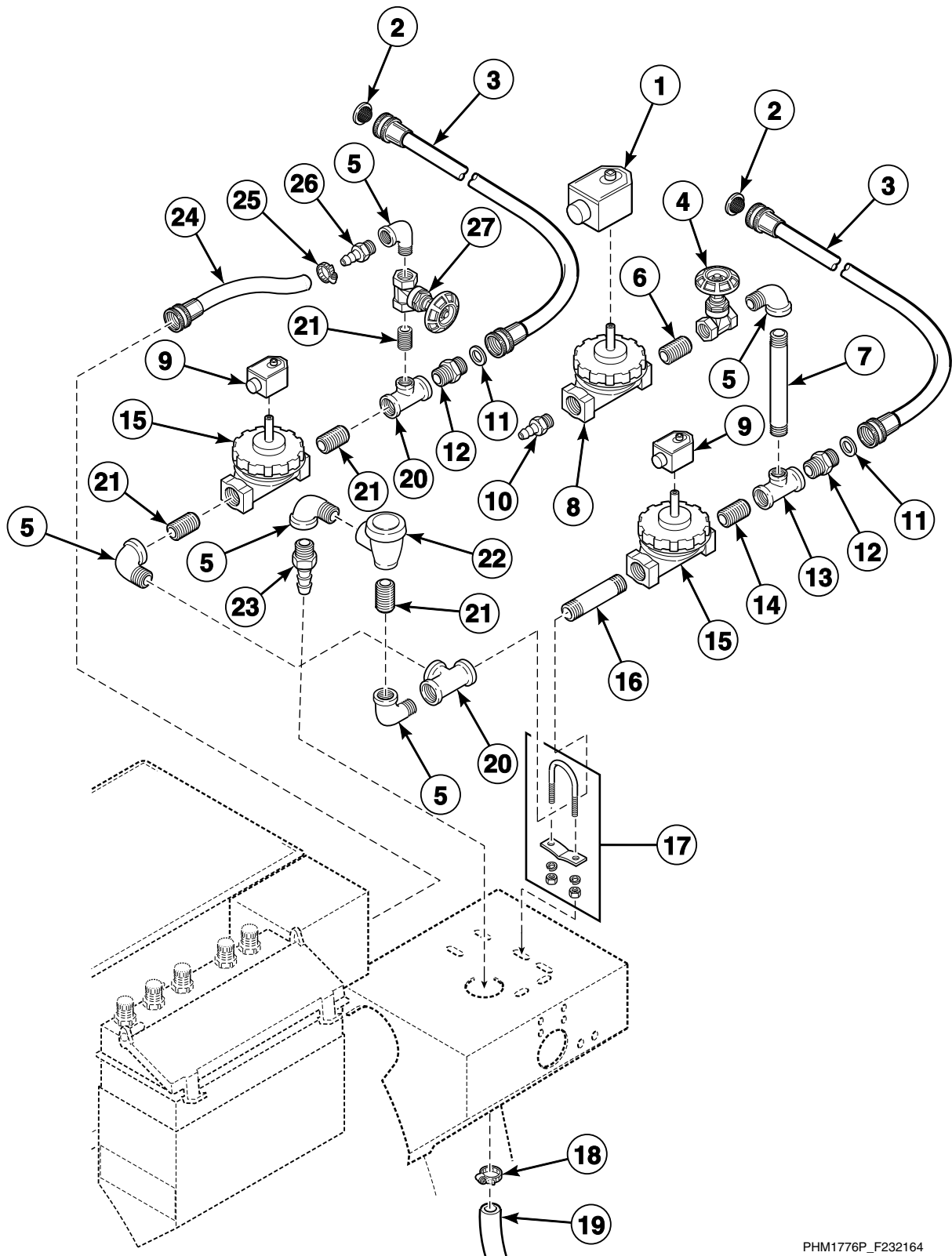


PHM2293P_F232164

Fill Plumbing - UW35PV Design 5 and 6 Models Through February 29, 2002

REF	PART NO.	DESCRIPTION	COMMENTS
1	F420500	Street Elbow	
2	F420101	Nipple	
3	F8521501	DIN Valve Kit	220 Volt; 1/2 inch; F380993 Valve Repair Kit; Parker
	F141901P	DIN Harness Assembly	
4	F380987P	DIN Coil	220 Volt
5	F420400	Tee	
6	F420408	Plug	
7	F421908	Hose Adapter	Standard thread
	F421949	Nipple	Metric thread
8	803615	Washer	
9	20290	Washer	
10	F200164	Water Hose	Standard thread
	F200166	Water Hose	Metric thread
11	F421964	Hose Barb	
12	F380500	Gate Valve	1/2 inch
13	F420103	Nipple	
14	F200509	Water Hose	
15	F200206	Hose Clamp	No. 4
16	F200401P	U-Bolt Clamp	Includes hardware
17	F200222	Hose Clamp	No. 12
18	F200104P	Hose	
19	F421930	Hose Barb	
20	F380801P	Antisiphon Valve	1/2 inch; F380964 Repair Kit
21	F633832-1	Fill Plumbing Assembly	Standard thread; Includes items 1-7, 11-13, 19 and 20
	F634091-1	Fill Plumbing Assembly	Standard thread; Starch; Includes items 1-7, 11-13, 19 and 20
	F633832-5	Fill Plumbing Assembly	Metric thread; Includes items 1-7, 11-13, 19 and 20
	F634091-5	Fill Plumbing Assembly	Metric thread; Starch; Includes items 1-7, 11-13, 19 and 20

Fill Plumbing - UW35PV Design 5 and 6 Models Starting March 1, 2002



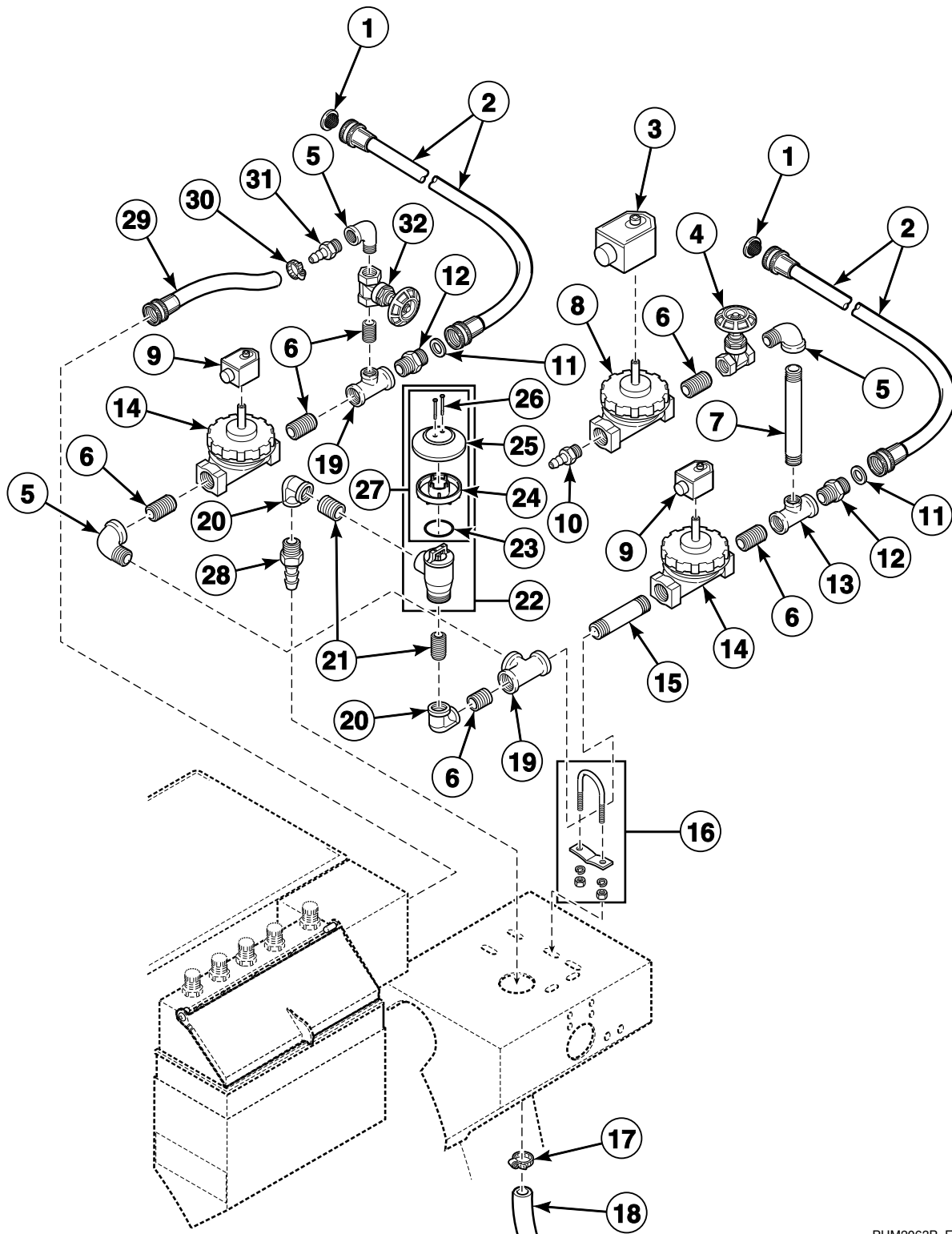
PHM1776P_F232164

Fill Plumbing - UW35PV Design 5 and 6 Models Starting March 1, 2002

REF	PART NO.	DESCRIPTION	COMMENTS
	F633832-1	Fill Plumbing Assembly	220 Volt; Standard thread; Includes items 5, 9, 12, 15, 16, 20-23, 26 and 27
	F633832-5	Fill Plumbing Assembly	220 Volt; Metric thread; Includes items 5, 9, 12, 15, 16, 20-23, 26 and 27
	F634091-1	Fill Plumbing Assembly	220 Volt; Standard thread; Starch; Includes items 1, 4-10, 12-16, 20-23, 26 and 27
	F634091-5	Fill Plumbing Assembly	220 Volt; Metric thread; Starch; Includes items 1, 4-10, 12-16, 20-23, 26 and 27
	F141901P	DIN Harness Assembly	Use with F381703P Valve
	F380993P	Valve Repair Kit	Starch; 1/2 inch; Use with F381703P Valve
	F8382301	DIN Valve Adapter Kit	Use with F8322803P Valve
	F8456201P	Valve Transition Kit	Use with F8322803P Valve
1	F380987P	DIN Coil	220 Volt; Starch
2	803615	Washer	
3	F200164	Water Hose	Standard thread
	F200166	Water Hose	Metric thread
4	F380500	Gate Valve	Starch
5	F420500	Street Elbow	
6	F420101	Nipple	Starch
7	N/A	Nipple	Starch
8	F8322803P	Valve	Replaces F381703P Valve; Includes F8322803 Valve, F8382301 DIN Valve Adapter Kit and F8514601 Coil
9	F380987P	DIN Coil	220 Volt; Use with F381703P Valve
	F8514601	Coil	Use with F8322803P Valve
10	F421964	Hose Barb	Starch
11	20290	Washer	
12	F421908	Hose Adapter	Standard thread
	F421949	Nipple	Metric thread
13	F420400	Tee	Starch
14	F420101	Nipple	Starch
15	F8521501	DIN Valve Kit	220 Volt; 1/2 inch; Parker
	F141901P	DIN Harness Assembly	
	F380993P	Valve Repair Kit	1/2 inch
16	F420103	Nipple	
17	F200401P	U-Bolt Clamp	
18	F200222	Hose Clamp	No. 12
19	F200104P	Hose	
20	F420400	Tee	
21	F420101	Nipple	
22	F380801P	Antisiphon Valve	1/2 inch
	F380964P	Repair Kit	1/2 inch
23	F421930	Hose Barb	
24	F200509	Water Hose	
25	F200206	Hose Clamp	No. 4
26	F421964	Hose Barb	
27	F380500	Gate Valve	1/2 inch

N/A = Part no longer available

Fill Plumbing - UW35PV Design 7 and 8 Models and Models UW35AV and UW35VV



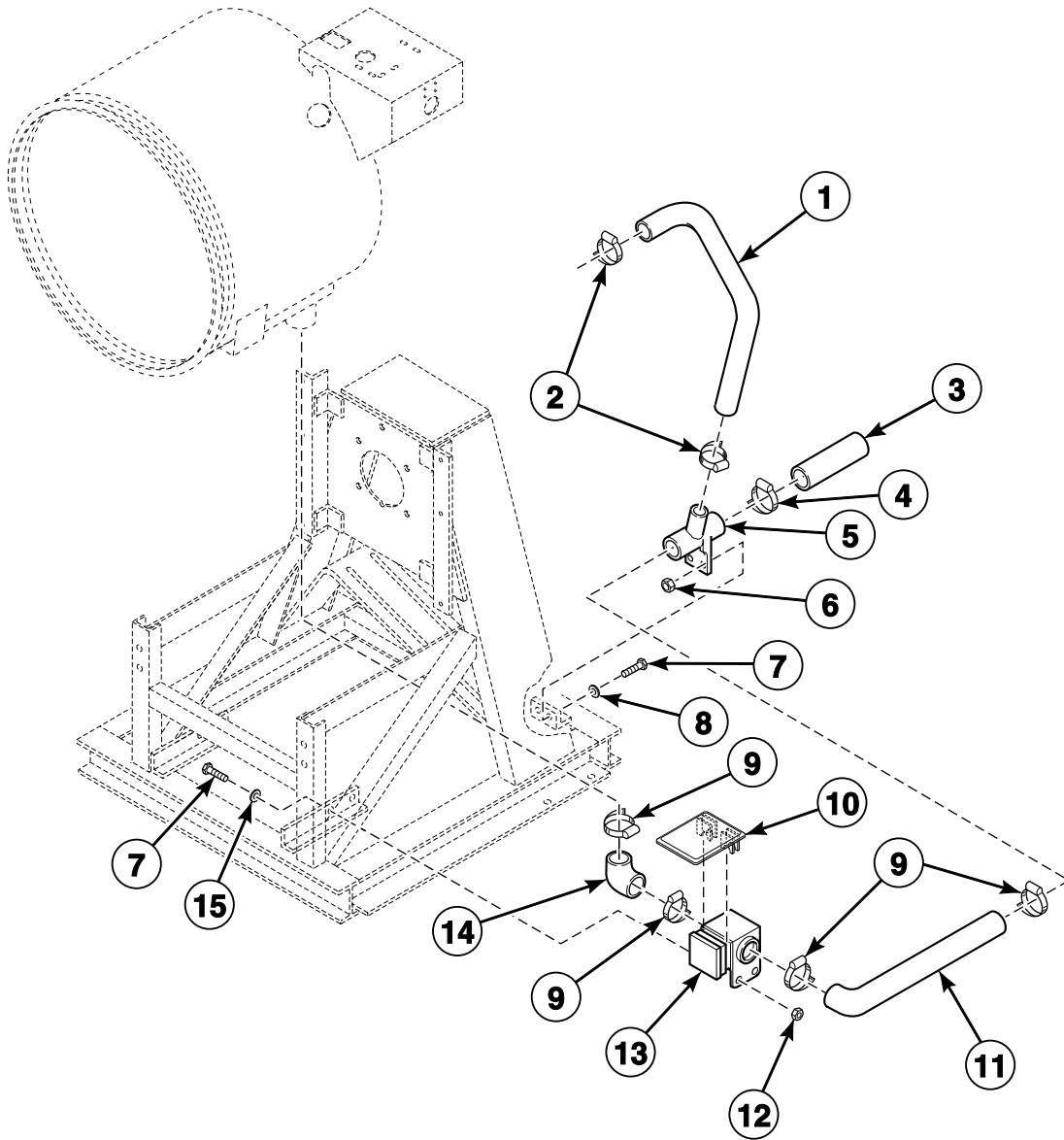
PHM2063P_F232164

Fill Plumbing - UW35PV Design 7 and 8 Models and Models UW35AV and UW35VV

REF	PART NO.	DESCRIPTION	COMMENTS
	N/A	Fill Plumbing Assembly	220 Volt; Standard thread; Includes items 6, 9, 12, 14, 15, 19-28, 30 and 31
	F0637639-03	Fill Plumbing Assembly	220 Volt; Metric thread; Includes items 6, 9, 12, 14, 15, 19-28, 30 and 31
	N/A	Fill Plumbing Assembly	220 Volt; Standard thread; Starch; Includes items 3-15, 19-28, 30 and 31
	N/A	Fill Plumbing Assembly	220 Volt; Metric thread; Starch; Includes items 3-15, 19-28, 30 and 31
	F141901P	DIN Harness Assembly	Use with F381703P Valve
	F380993P	Valve Repair Kit	Starch; 1/2 inch; Use with F381703P Valve
	F8382301	DIN Valve Adapter Kit	Use with F8322803P Valve
	F8456201P	Valve Transition Kit	Use with F8322803P Valve
1	803615	Washer	
2	F200164	Water Hose	Standard thread
	F200166	Water Hose	Metric thread
3	F380987P	DIN Coil	220 Volt; Starch
4	F380500	Gate Valve	Starch; 1/2 inch
5	F420500	Street Elbow	
6	F420101	Nipple	
7	N/A	Nipple	Starch
8	F8322803P	Valve	Replaces F381703P Valve; Includes F8322803 Valve, F8382301 DIN Valve Adapter Kit and F8514601 Coil
9	F380987P	DIN Coil	220 Volt; Use with F381703P Valve
	F8514601	Coil	Use with F8322803P Valve
10	F421964	Hose Barb	Starch
11	20290	Washer	
12	F421908	Hose Adapter	Standard thread
	F421949	Nipple	Metric thread
13	F420400	Tee	Starch
14	F8521501	Din Valve Kit	220 Volt; 1/2 inch; Parker
	F141901P	DIN Harness Assembly	
	F380993P	Valve Repair Kit	1/2 inch
15	F420103	Nipple	
16	F200401P	U-Bolt Clamp	
17	F200222	Hose Clamp	No. 12
18	F200104P	Hose	
19	F420400	Tee	
20	F0422918-00	Elbow	
21	F420105	Nipple	
22	F063754701P	Vacuum Breaker Valve	3/4 inch; Includes item 27; F380965 Repair Kit
23	F0170221-00	O-Ring	
24	F0380809-00	Containment Device	
25	F0380808-00	Vacuum Breaker Cap	
26	F430938	Screw	
27	F0798922-00	Vacuum Breaker Kit	Includes items 23-26 and installation instructions
28	F421930	Hose Barb	
29	F200509	Water Hose	
30	F200206	Hose Clamp	No. 4
31	F421964	Hose Barb	
32	F380500	Gate Valve	

N/A = Part no longer available

Drain Valve and Hoses

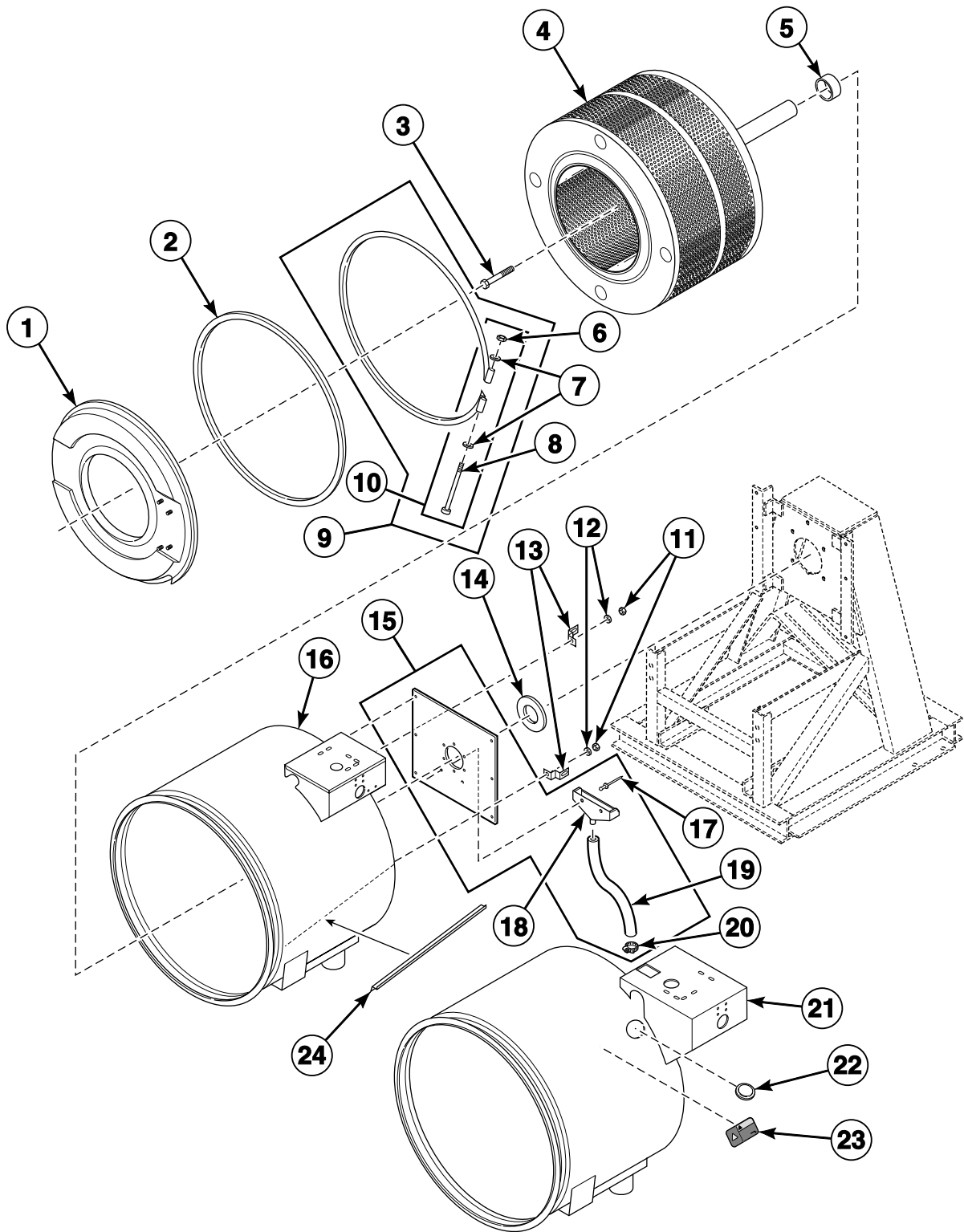


PHM2632P_F232164

Drain Valve and Hoses

REF	PART NO.	DESCRIPTION	COMMENTS
1	F150353	Overflow Hose	
2	F200215	Hose Clamp	No. 28
3	F610376P	Drain Hose	
4	F200201	Hose Clamp	No. 56
5	F8017101	Drain Connector Tee	
6	F431005	Nut	
7	F430103	Screw	
8	F431147	Washer	
9	F200213	Hose Clamp	No. 40
10	F200133600	Drain Valve Cover	
11	F0150331-00	Drain Hose	Rear
12	F430211	Nut	
13	803292	Gravity Drain Valve	220 Volt
	F380920	Drain Valve Body	
	F380918	Main Drive Kit	
	F380933P	Drain Valve Motor	220 Volt
14	F8105901	Drain Hose	
15	M400014	Washer	

Basket and Shell



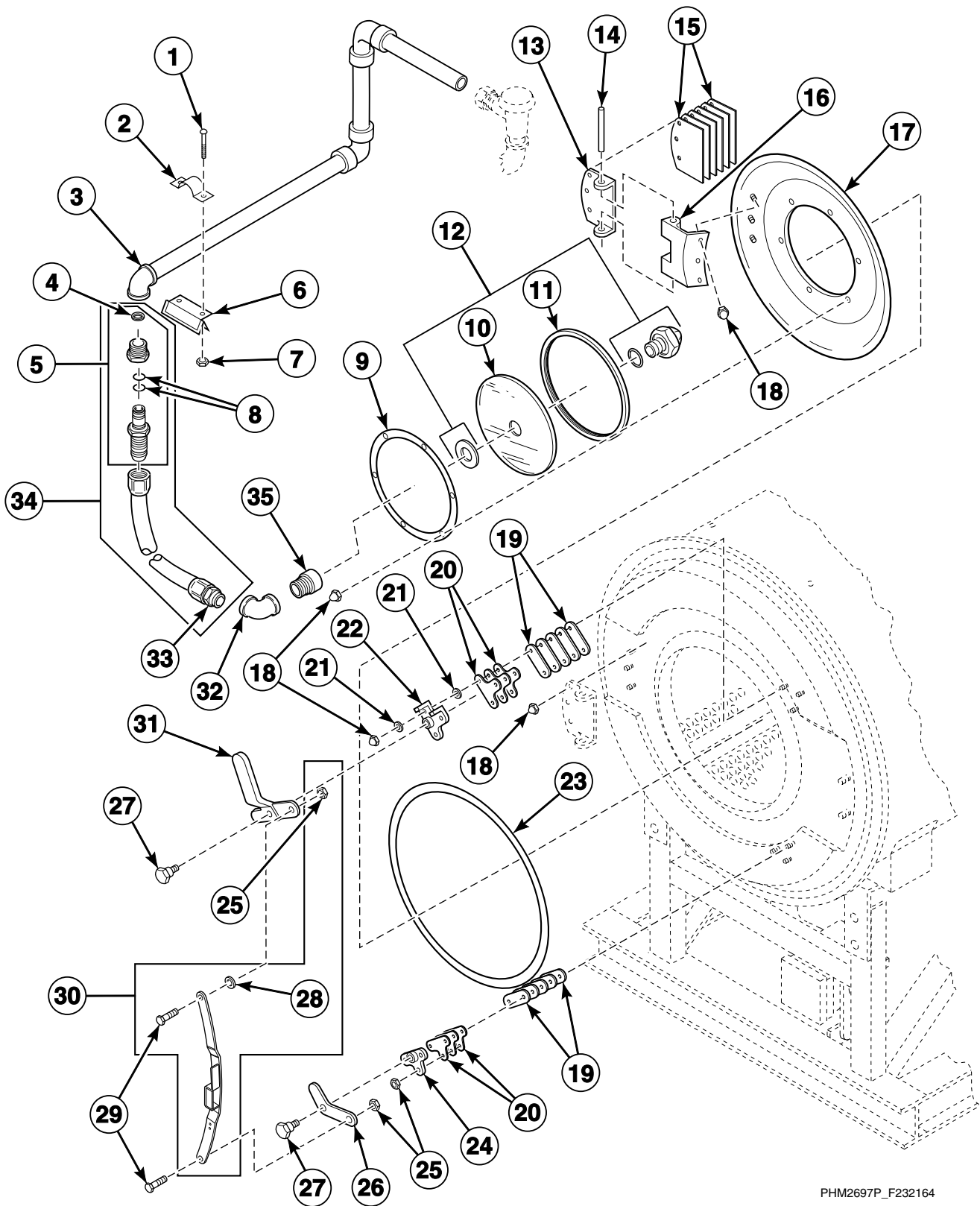
PHM2820P_F232164

Basket and Shell

REF	PART NO.	DESCRIPTION	COMMENTS
1	F200119800	Shell Front Assembly	Includes item 1, door latch bracket shim, top latch bracket casting, lower door latch bracket casting, door butt, door butt shim and door bracket latch shim
	F741305	Shell Front Kit	Includes F200085000 Hot Surface Warning Decal
2	F8513501	Shell Front Gasket Kit	
3	N/A	Screw	
4	F604377	Basket Assembly	Model UW35PV
	F604129	Basket Assembly	Models UW35AV and UW35VV
5	F8312008P	Shaft Seal Sleeve	Models UW35AV and UW35VV
6	F430215	Nut	
7	F430317	Washer	
8	F430518	Screw	
9	F741701	Shell Band Kit	Includes items 6-8
10	F791001	Shell Band Fastener Kit	Includes items 6-8
11	20274	Nut	
12	M400081	Washer	
13	F601806	Shell Mounting Bracket	
14	F100203	Slinger	
15	F741600-1	Shell Reinforcement Plate Kit	Includes items 17-20 and sealant
16	F634509	Shell Weldment	Model UW35PV; Standard; Design 5 and 6
	F634509-1	Shell Weldment	Model UW35PV; Standard with starch; Design 5 and 6
	F633720-1	Shell Weldment	Model UW35PV; Electric heat; Design 5 and 6
	F634510	Shell Assembly	Models UW35AV and UW35VV
17	F431210	Pop Rivet	
18	F150389	Scupper	
19	F200107P	Water Hose	Order 4 feet
20	36801	Hose Clamp	No. 6
21	F0637534-00	Shell Weldment	Model UW35PV; Standard; Design 7 and 8
	F0637534-01	Shell Weldment	Model UW35PV; Standard with starch; Design 7 and 8
	F0637536-00	Shell Weldment	Model UW35PV; Electric heat; Design 7 and 8
	N/A	Shell Weldment	Model UW35PV; Electric heat with starch; Design 7 and 8
22	F0200237-00	Plug	Model UW35PV; Design 7 and 8
23	F0230112-00	Plug Removal Warning Decal	Model UW35PV; Design 7 and 8
24	F150364	Drip Rail	

N/A = Part no longer available

Door and Spray Rinse

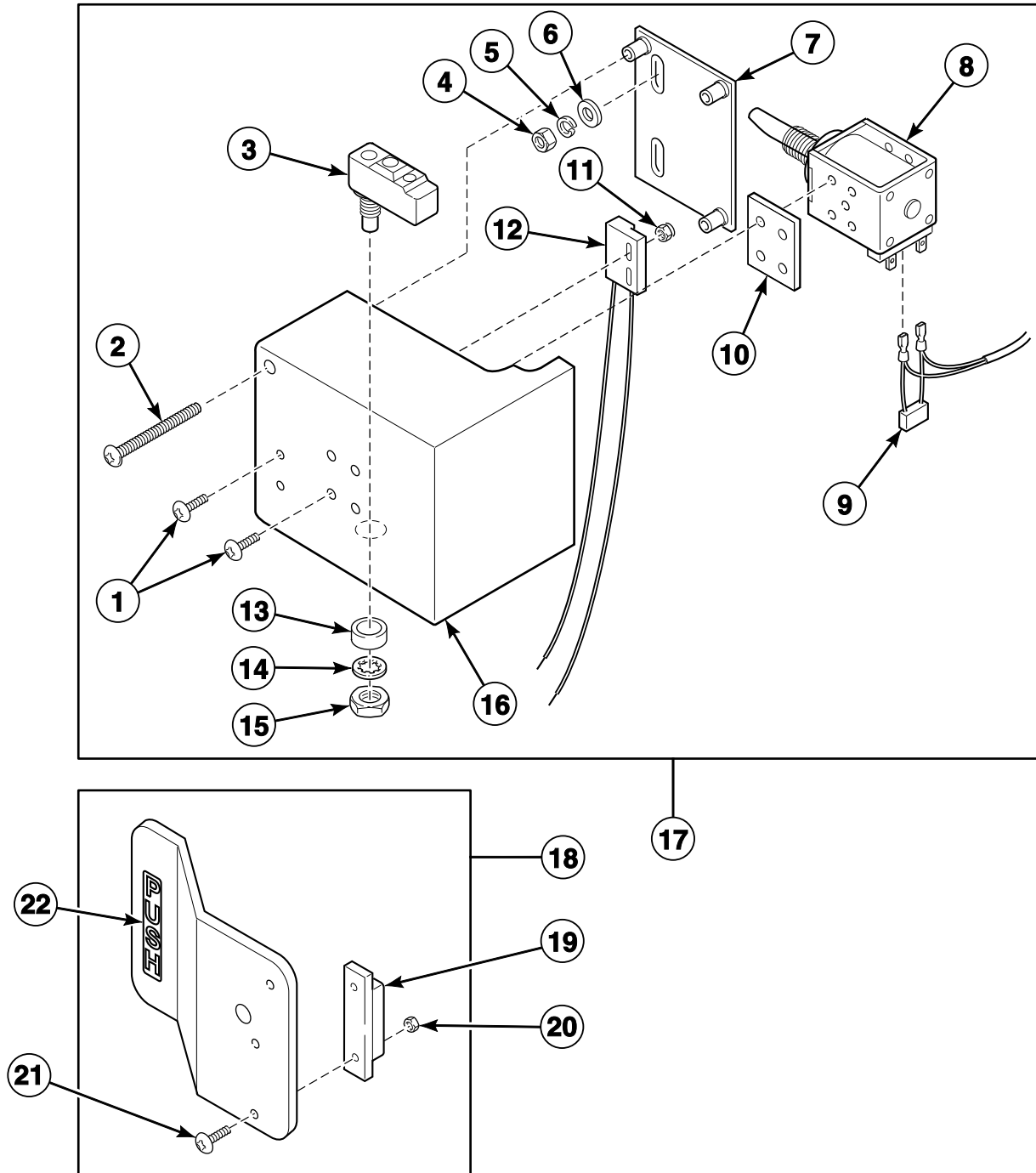


PHM2697P_F232164

Door and Spray Rinse

REF	PART NO.	DESCRIPTION	COMMENTS
1	F430917	Screw	Model UW35PV
2	F602880	Spray Rinse Strap	Model UW35PV
3	F603696-7	Spray Rinse Tube Assembly	Model UW35PV
4	F310206	Ring Retainer	Model UW35PV
5	F422108	Swivel Coupling	Model UW35PV; Includes items 4 and 8
6	F602901P	Spray Rinse Bracket Assembly	Model UW35PV; Includes items 1 and 7
7	F431022	Nut	Model UW35PV
8	F170200	O-Ring	
9	F320100	Retainer Ring Spinning	
10	F290202P	Glass Kit	Model UW35PV; With hole
	F290203P	Glass	Models UW35AV and UW35VV; Without hole
11	F170112	Door Glass Gasket	
12	F730077	Spray Rinse Nozzle Kit	Model UW35PV
13	F200030700	Door Butt Hinge	
14	F601815	Door Hinge Pin	
15	F0610695-00	Door Butt Shim	
16	F200030600	Door Hinge Strap	
17	F630315	Stud Weldment	
	F200119500P	Door Assembly	Model UW35PV; Includes items 9-11, 16-18, 23, F605638 Push Handle Assembly and F200030700 Door Butt Hinge
	F200119400	Door Assembly	Models UW35AV and UW35VV; Includes items 9-11, 16 and 23
18	F854940	Nut	
19	F631989	Door Bracket Latch Shim	
20	F602058	Door Latch Bracket Shim	
21	F431100	Washer	
22	F150201P	Top Latch Bracket Casting	
23	F017014301	Door Gasket	
24	F150202	Lower Door Latch Bracket Casting	
25	F431002	Nut	
26	F150204	Lower Door Latch Casting	
27	F430168	Screw	
28	F431118	Washer	
29	F430927	Screw	
30	F746800	Extension Arm Kit	Includes items 25, 28 and 29
31	F150203	Door Handle Casting	
32	F422319	Elbow	Model UW35PV
33	F422109	No-Swivel Coupling	Model UW35PV
34	F730025	Spray Rinse Hose Kit	Model UW35PV; Includes items 5 and 33
35	F421938	Extension	Model UW35PV

Door Box

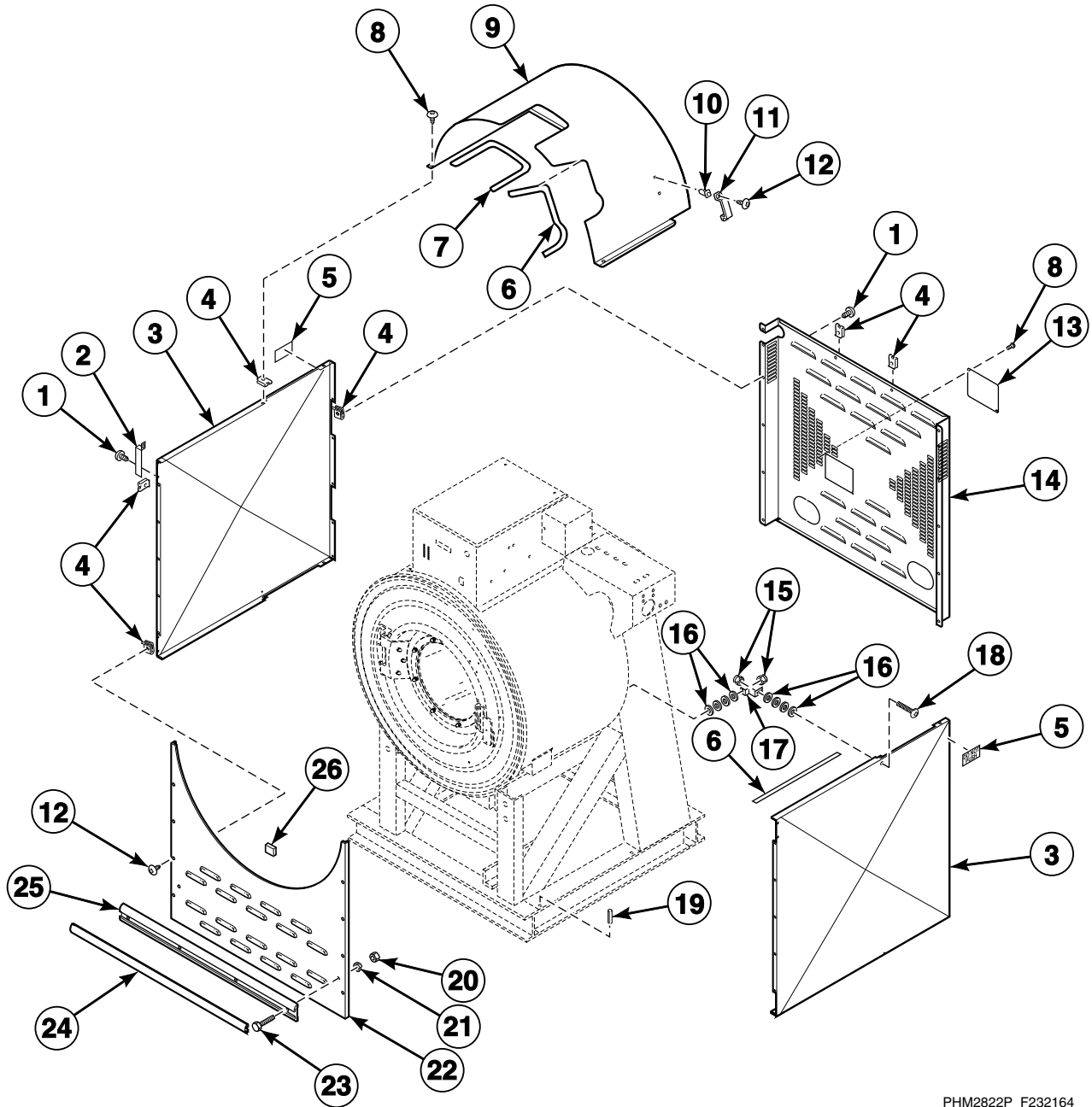


PHM2053P_F232164

Door Box

REF	PART NO.	DESCRIPTION	COMMENTS
1	F430917	Screw	
2	F430996	Screw	
3	F340900	Interlock Switch	
4	F430215	Nut	
5	F431100	Washer	
6	F431142	Washer	
7	F605525	Door Box Mounting Plate Assembly	
8	F300129P	Door Lock Solenoid	220 Volt
9	F330217P	RC Network Filter	Includes F140627 Connector and F141022 Connector
10	F609728	Solenoid Spacer	
11	F430231	Nut	
12	F200321200	Magnetic Switch Assembly	
13	F601055	Interlock Switch Spacer	
14	F431104	Washer	
15	F431021	Nut	
16	F0605466-00	Door Box	
17	F604191	Door Box Assembly	Includes items 1-16
18	F746201-1	Push Handle Kit	Includes items 19-22
19	F8390801	Magnet	
20	F430232	Nut	
21	F430909	Screw	
22	F230303	Push Decal	

Panels

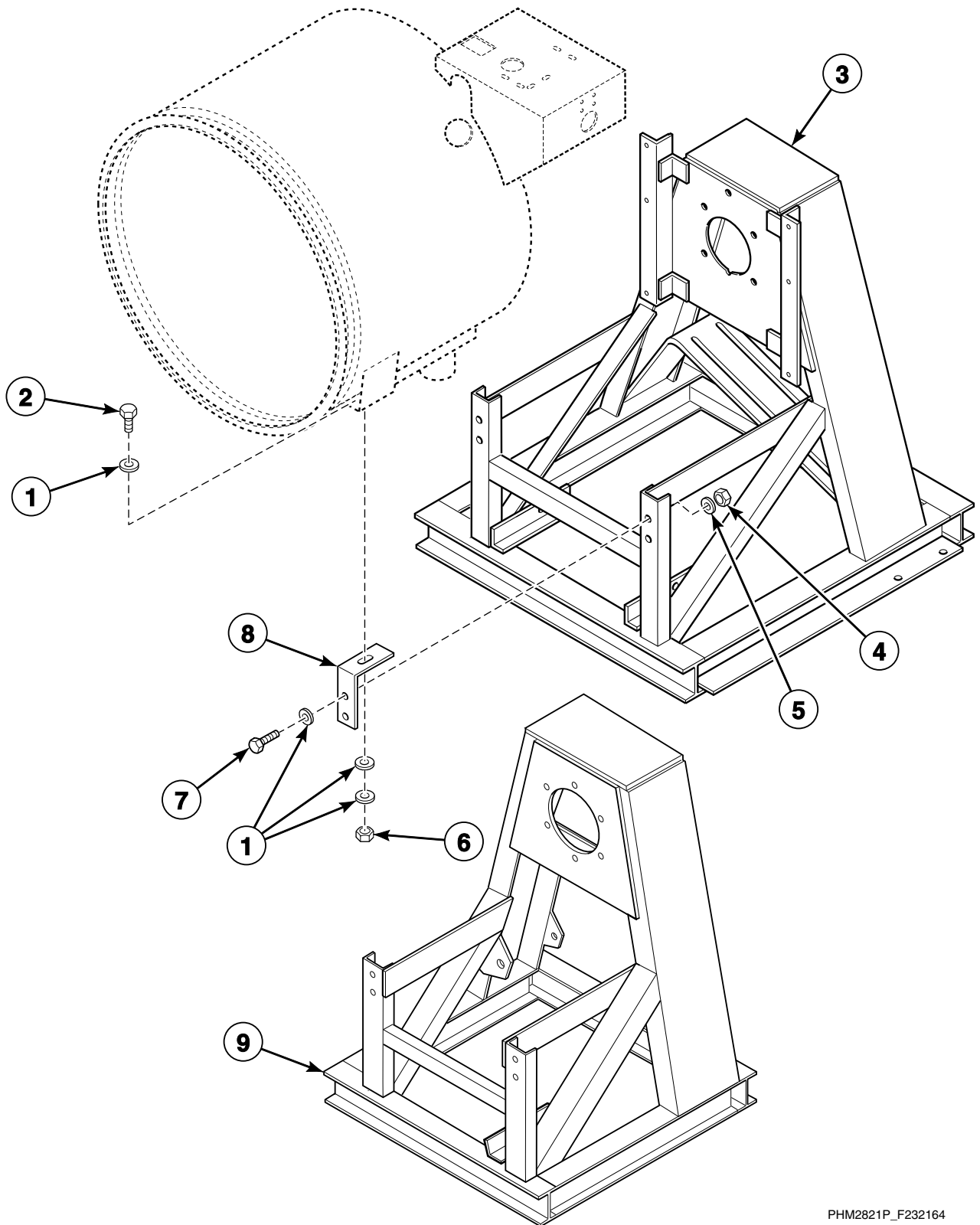


PHM2822P_F232164

Panels

REF	PART NO.	DESCRIPTION	COMMENTS
1	F430956	Screw	
2	F606667	Side Panel Cover	Models UW35AV and UW35VV
3	F0635735-00P	Side Panel	Models UW35AV and UW35VV; Reversible
	F635661P	Side Panel	Model UW35PV; Reversible
4	F430264	Nut	Tinnerman
5	F230302	Do Not Push Decal	
6	F170400RP	Trim	
7	F170400RP	Trim	Order 2 feet
8	70240301	Screw	
9	F0635738-00	Cage Wrap Weldment	Models UW35AV and UW35VV
	F635609	Cage Wrap Weldment	Model UW35PV
10	F0431807-00	Nut	Plastic insert
11	F605324	Hose Strap	
12	F430956	Screw	
13	F200188300	Belt Inspection Port Cover	
14	F200187800P	Rear Panel	
15	F430215	Nut	
16	F430317	Washer	
17	F601982	Side Panel Bracket	
18	F432234	Screw	
19	F430415	Pin	
20	F430211	Nut	
21	F431100	Washer	
22	F635660P	Front Panel	
23	F430921	Screw	
24	F150397	Extrusion Insert	Order 3 feet
25	F150407	Rub Rail	
26	F170110	Sponge	

Frame



PHM2821P_F232164

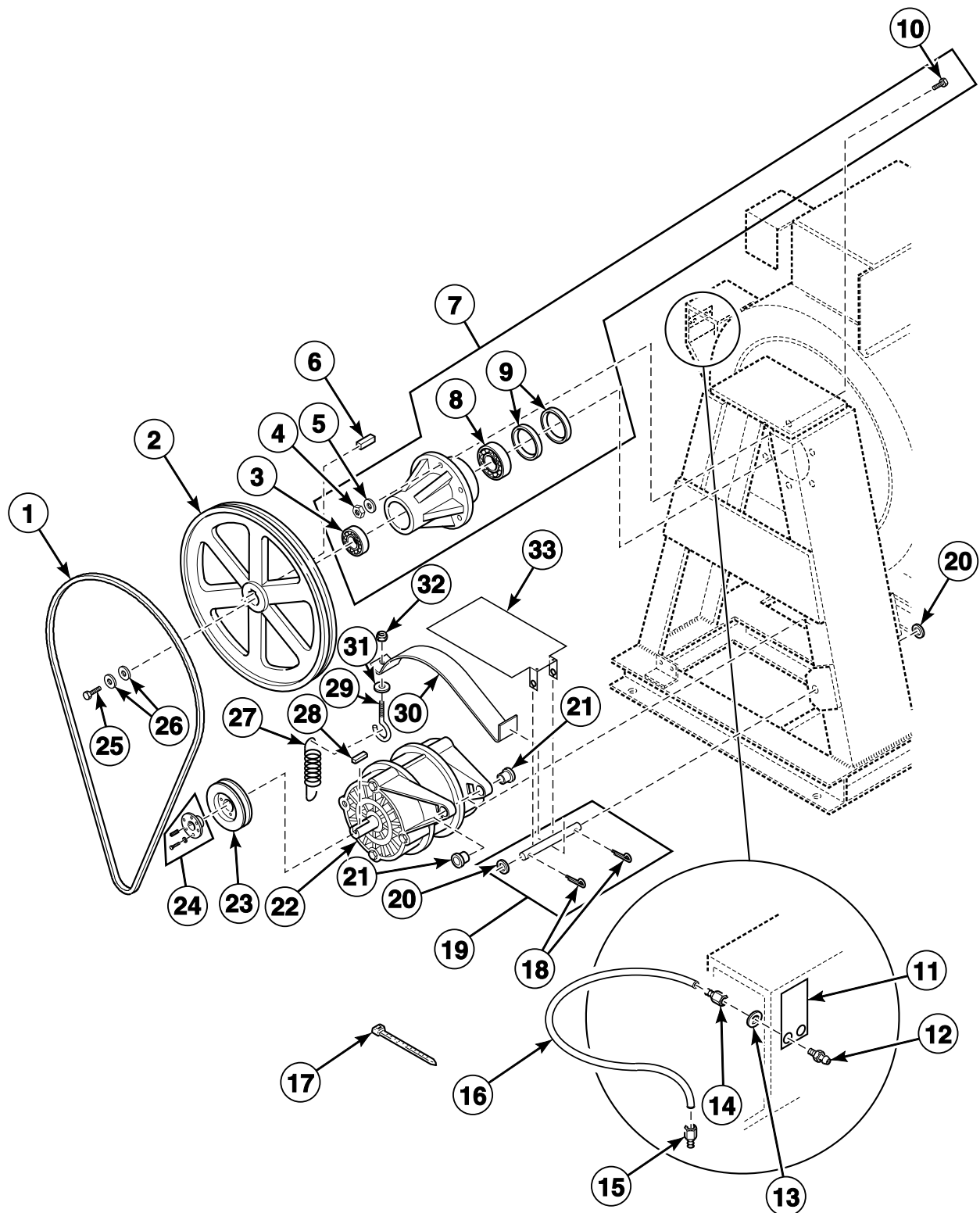
Frame

REF	PART NO.	DESCRIPTION	COMMENTS
1	M400081	Washer	
2	F430116	Screw	
3	F633757	Frame Weldment	Model UW35PV
4	70142	Nut	
5	M400014	Washer	
6	20274	Nut	
7	F430924	Screw	
8	F601806	Shell Mounting Bracket	
9	F0637533-00	Frame Weldment	Models UW35AV and UW35VV

Motor and Pulley - Model UW35PV

REF	PART NO.	DESCRIPTION	COMMENTS
1	F798824-00	Front Bearing Kit	Includes seal and hardware
	F8162101	Face Seal	
	F798819-00	Seal Kit	Includes shell band gasket, slinger, seal, sealant and installation instructions
2	F745010	Rear Bearing Kit	Includes hardware
3	F231563	Grease Instruction Decal	
4	F190701	Grease Fitting	
5	F430332	Washer	
6	F422114	Air Coupling	
7	C000628P	Tubing	
8	J1408004	Connector	
9	F140605	Cable Tie	
10	20274	Nut	
11	M400014	Washer	
12	M400081	Washer	
13	F430300	Washer	
14	F430802	Key	
15	F280211P	Motor Pulley Bushing	H-1 1/8; Includes item 14
16	F280146P	Pulley	BK34H; 1 groove; 3.55 inch OD
17	F0220439-00	Motor	Design 6-8 models with Allen-Bradley 160-series AC drives; AC drive parameters must be compatible with the motor and motor pulley. Please request the AC drive parameter illustration for parameter verification when ordering a motor
	F220215U	Motor	Design 5; U.S.; AC drive parameters must be compatible with the motor and motor pulley. Please request the AC drive parameter illustration for parameter verification when ordering a motor
	F220215M	Motor	Design 5; Magnetek; AC drive parameters must be compatible with the motor and motor pulley. Please request the AC drive parameter illustration for parameter verification when ordering a motor
	F140225	Cable	14 gauge, 4 cond, non-shielded; Order 8 feet
	F140651	Cable	10 gauge, 4 cond, 85% shielded; Order 8 feet
18	F430993	Screw	
19	F430801	Key	
20	F280354	Belt	B86
21	F280409P	Bushing	2-7/16; Includes item 19
22	F280410	Pulley	1B255K

Motor and Pulley - Models UW35AV and UW35VV

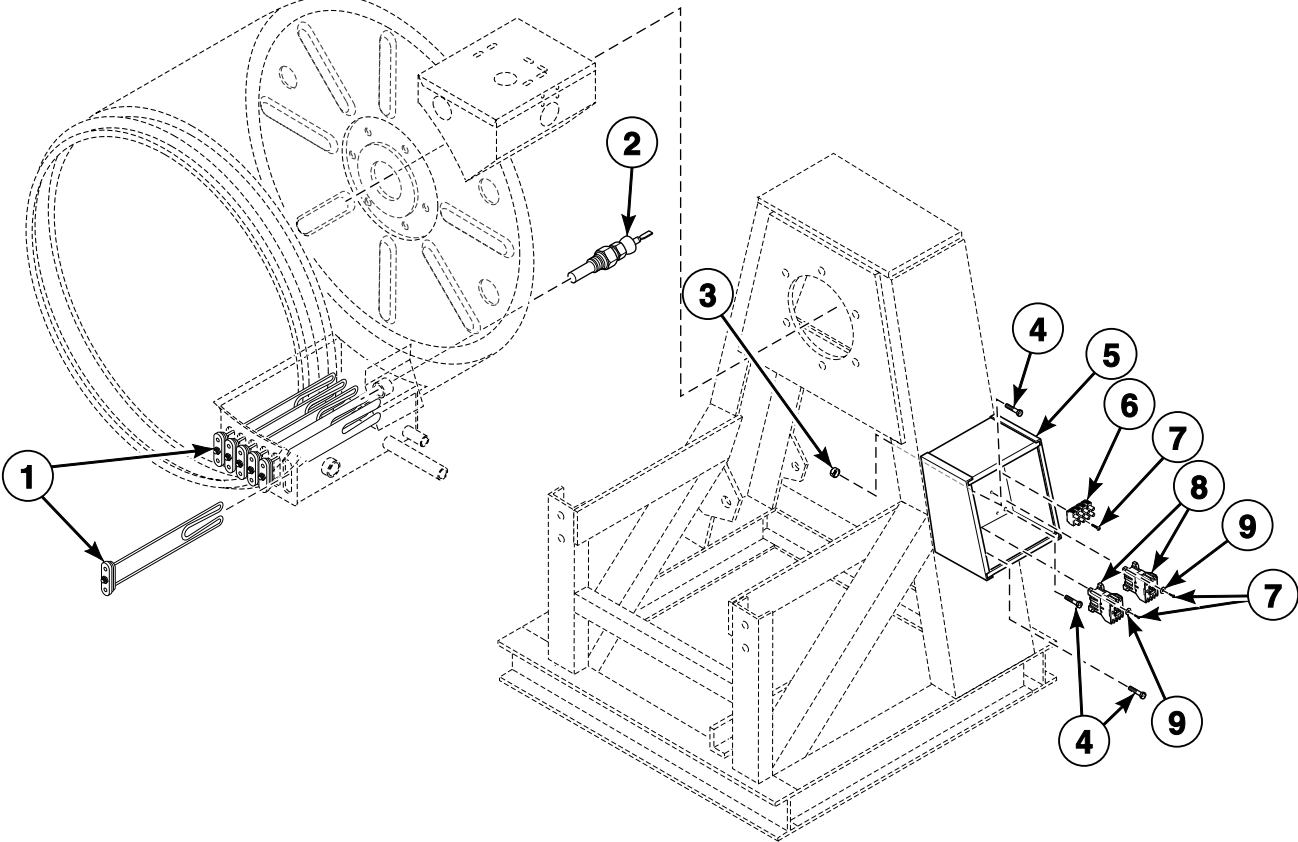


PHM2823P_F232164

Motor and Pulley - Models UW35AV and UW35VV

REF	PART NO.	DESCRIPTION	COMMENTS
1	F0280433-00	Belt	Poly-V; 10J907
2	F200299700	Basket Pulley	
3	F100123P	Bearing	
4	F430240	Nut	
5	F430327	Washer	
6	F430801	Key	
7	F747004	Trunnion Kit	Includes items 3-5 and 8-10
8	F100122	Bearing	
9	F8203805	Triple Lip Seal	
10	F430987	Screw	
11	F231563	Grease Instruction Decal	
12	F190701	Grease Fitting	
13	F430332	Washer	
14	F422114	Air Coupling	
15	J1408004	Connector	
16	C000628P	Tubing	
17	F140605	Cable Tie	6 inch
18	F430401	Cotter Pin	
19	F730076	Motor Support Rod Kit	Includes items 18 and 20
20	F430325	Washer	
21	F200186100	Motor Support Bushing	Nylon
22	F8329101P	Motor Conversion Kit	
23	F0280383-00	Motor Pulley	Poly-V; 10 groove; 10J25G
24	F280209	Motor Pulley Bushing	G 7/8
25	F430927	Screw	
26	F0431159-00	Washer	
27	F310127	Spring	
28	F430802	Key	
29	F0430720-00	Bolt	
30	F602166	Motor Adjustment Strap	
31	M400080	Washer	
32	F430233	Nut	
33	F200216900	Motor Drip Shield	

Electric Heat Option

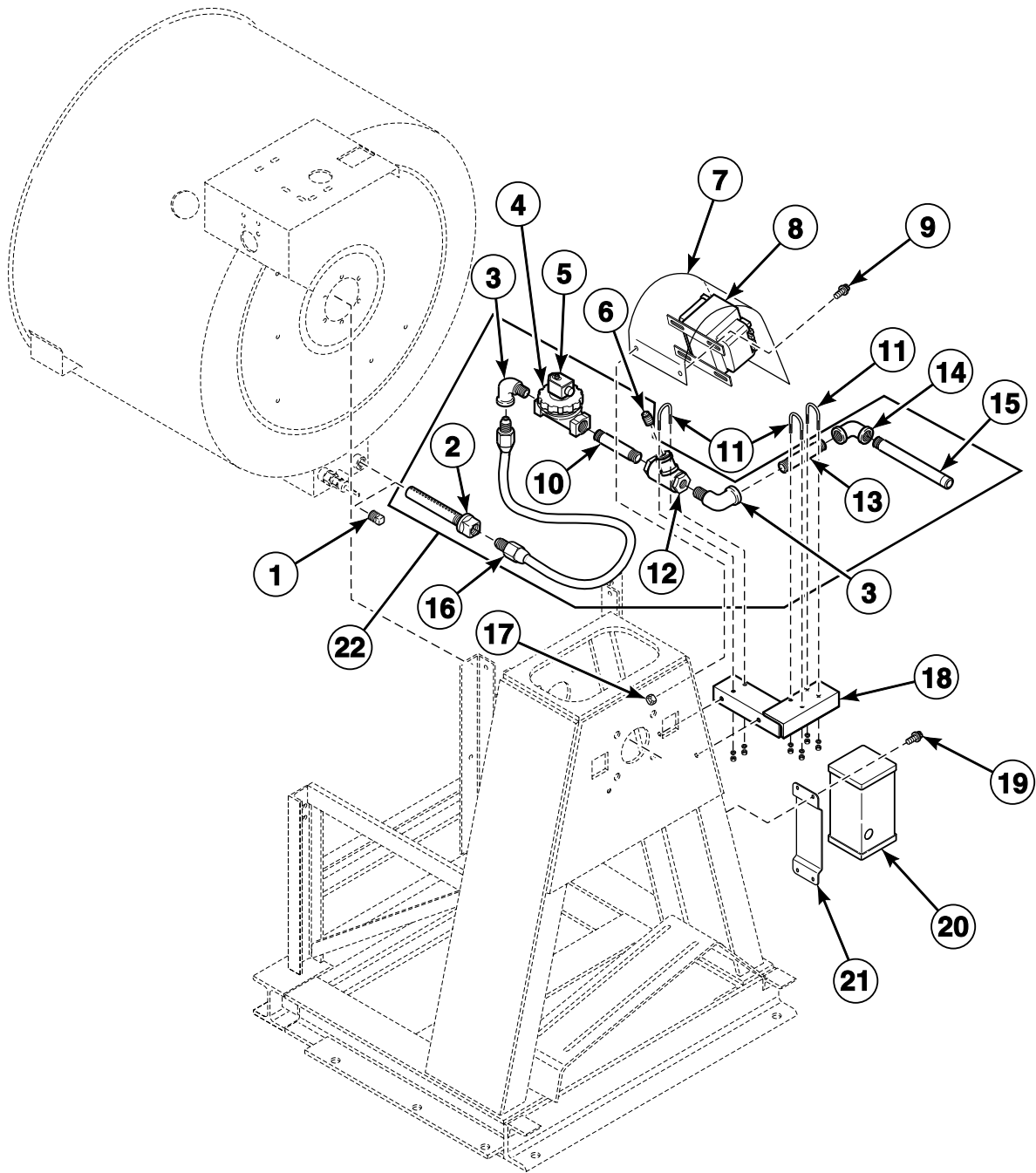


PHM2351P_F232164

Electric Heat Option

REF	PART NO.	DESCRIPTION	COMMENTS
1	F360205P	Element	6 required
2	F370606P	Temperature Probe	
3	F430215	Nut	
4	F430938	Screw	
5	F140413	Box	
6	F140747	Input Power Block	380-400 Volt
	M413865	Terminal Block	200-240 Volt
7	F430107	Screw	
8	F330188P	Contactator	220 Volt
9	F430311	Washer	

Steam Heat Option and Transformers



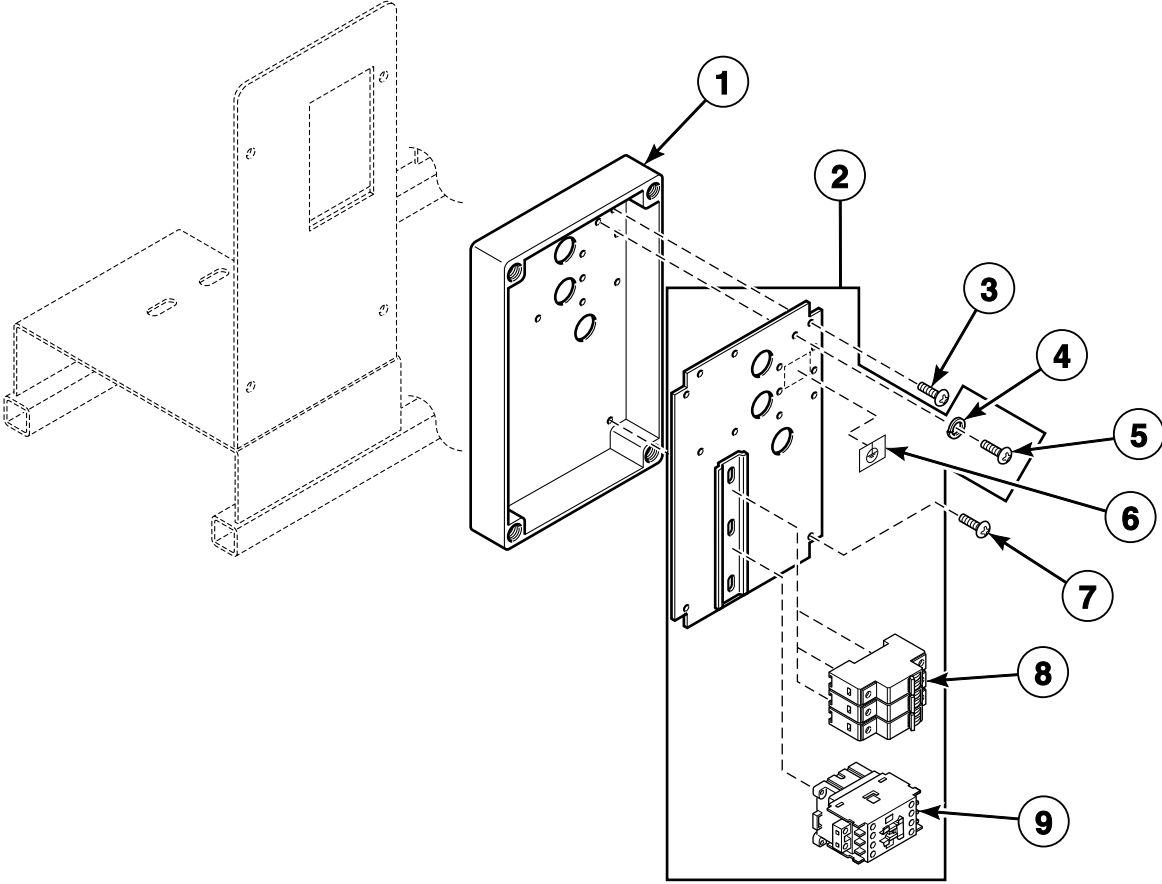
PHM2083P_F232164

Steam Heat Option and Transformers

REF	PART NO.	DESCRIPTION	COMMENTS
	F410300	Pipe Insulation	
	F8382301	DIN Valve Adapter Kit	Use with F8322801P Valve
	F8379501P	Valve Kit	Use with F8322801P Valve
1	F200202600	Plug	
2	F8368201	Steam Injector Tube Assembly	
3	H86070034	Street Elbow	
4	F8322801P	Valve	Replaces F380787P Valve; Includes F8514601 Coil; For models that have been upgraded with F8521801 DIN Valve Kit
	F8521801	DIN Valve Kit	Replaces F380787P Valve; Includes F85322801P Valve, F8382301 DIN Valve Adapter Kit and F8514601 Coil; For models that have been upgraded with F8521801 DIN Valve Kit
5	F380987P	DIN Coil	220 Volt; Use with F380787P Valve
	F8514601	Coil	Use with F8322801P Valve
6	F420409	Plug	
7	F140425	Control Transformer Cover	
8	F360156P	Transformer	Control; N and P-voltage
9	F430935	Screw	
10	F420708	Nipple	
11	F200401P	U-Bolt Clamp	
12	F270307	Steam Filter	
13	F420709	Nipple	
14	70079601	Elbow	
15	N/A	Nipple	
16	F200517	Steam Hose	
17	F430215	Nut	
18	F635634	Steam Bracket Weldment	
19	F430104	Screw	
20	F200030900	Transformer	Buckboost; N-voltage
21	N/A	Transformer Adapter Plate	Models through 1/04
22	F8521501	DIN Valve Kit	220 Volt; Includes items 2-6, 10, 12-16 and F410300 Pipe Insulation

N/A = Part no longer available

Wet-Clean Assembly Control Module - Model UW35PV



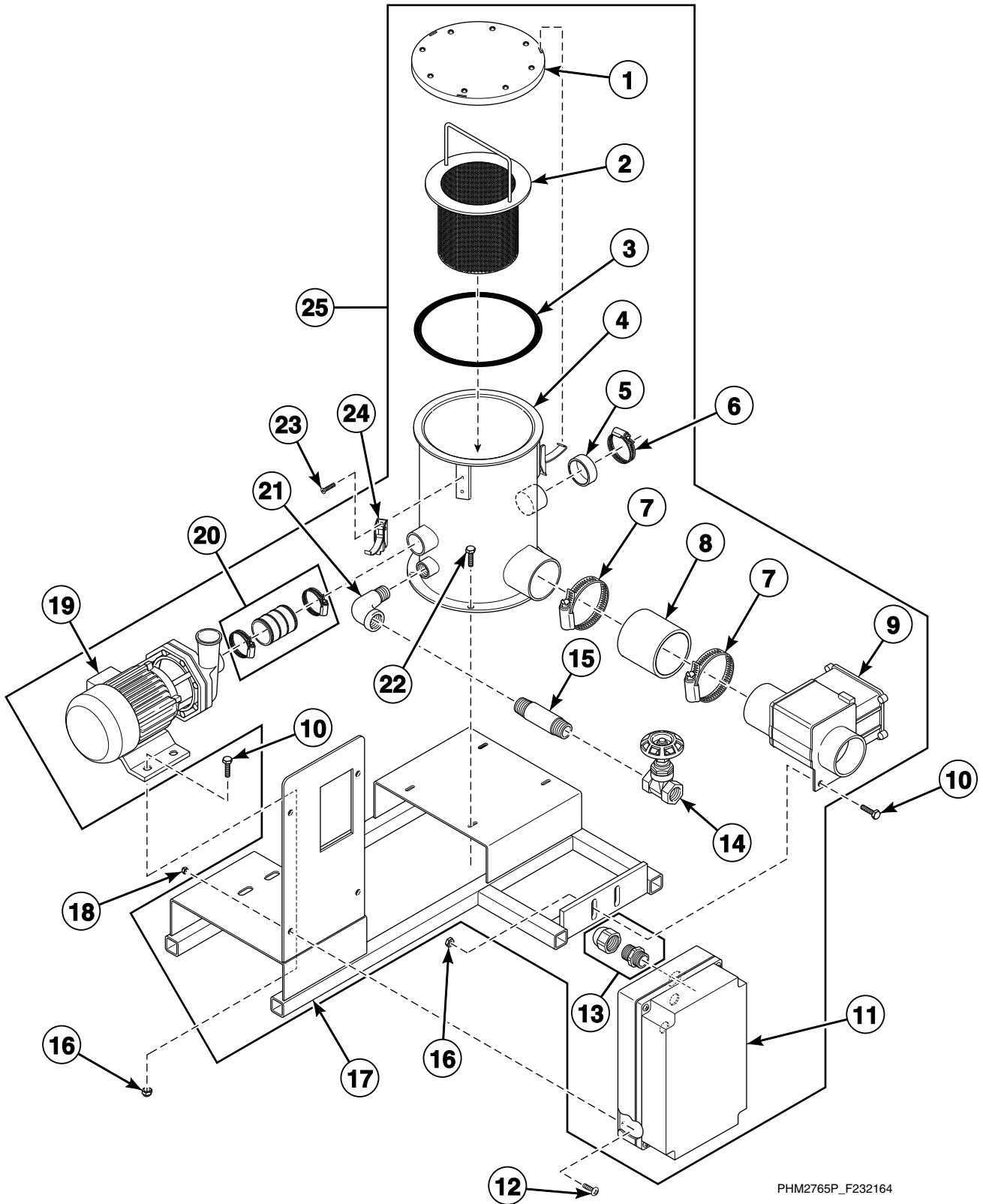
PHM2341P_F232164

Wet-Clean Assembly Control Module - Model UW35PV

REF	PART NO.	DESCRIPTION	COMMENTS
1	F140432	Box	Includes items 3 and 7
2	F634278	Control Panel Sub-Assembly	Includes items 4-6, 8 and 9
3	N/A	Screw	
4	N/A	Washer	
5	F430928	Screw	
6	F230739	Ground Decal	
7	N/A	Screw	
8	F350207P	Circuit Breaker	
9	F330177P	Contacto	

N/A = Part no longer available

Wet-Clean Assembly Main View - Model UW35PV



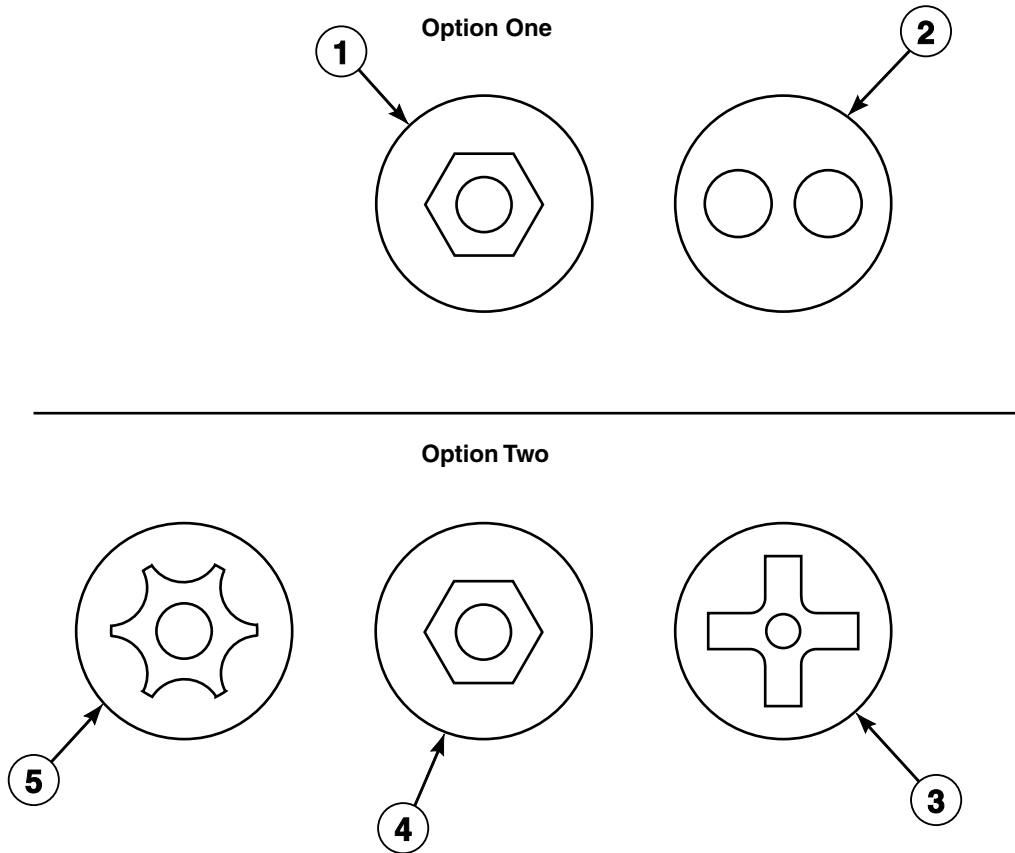
PHM2765P_F232164

Wet-Clean Assembly Main View - Model UW35PV

REF	PART NO.	DESCRIPTION	COMMENTS
1	F630300	Cover Assembly	
2	F630298	Filter Basket Weldment	
3	F170218	Canister Cover O-Ring	
4	F632355	Drain Canister Weldment	
5	F150352	Overflow Plug	
6	F200215	Hose Clamp	No. 28
7	N/A	Hose Clamp	No. 48
8	F150442	Drain Hose	
9	F380636	Ball Valve	
10	F430939	Screw	
11	F635664	Control Module Sub-Assembly	
12	F430932	Screw	
13	F140329	Strain Relief Connector	PG13
14	F380500	Gate Valve	
15	F421915	Nipple	
16	F431024	Nut	
17	F632693-3	Stand Weldment	
18	F430232	Nut	
19	F270102P	Pump	
20	F422515	Tube Connector	
21	F422304	Street Elbow	
22	F430923	Screw	
23	F430903	Screw	
24	F432201	Draw Latch	
25	N/A	Wet-Clean Canister Stand Assembly	Includes items 1-9, 11, 13-15, 17, 19-22 and 24

N/A = Part no longer available

Security Fasteners



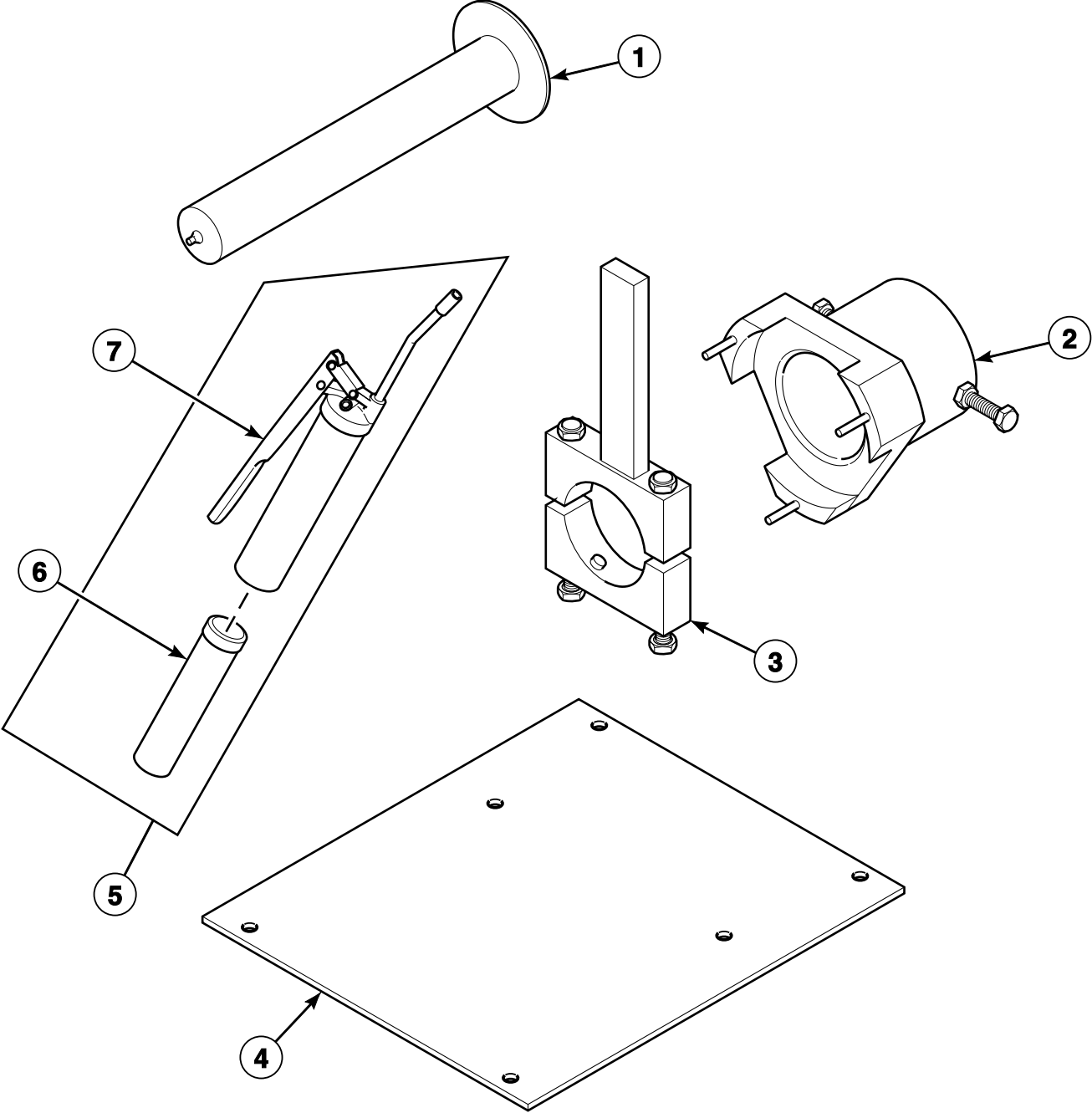
PHM2181P_F232164

Security Fasteners

REF	PART NO.	DESCRIPTION	COMMENTS
1	F0430275-00	Screw	No. 8; 32 x 1/2 inch; Used in place of F430956 Screw; Typical location is the side panels and module cover
	F430960	Screw	No. 10; 32 x 3/8 inch; Used in place of F430904 Screw; Typical location is the module to the shell
	F704906	Hex Bit	
2	F0430273-00	Screw	1/4 inch; 20 x 2-1/2 inch; Used in place of F430996 Screw; Typical location is the door box to the bracket
	F0430272-00	Screw	1/4 inch; 20 x 1-1/2 inch; Used in place of F430921 Screw; Typical location is the side panel to the bracket
	F0430274-00	Screw	1/4 inch; 20 x 1/2 inch; Used in place of F430925 Screw; Typical location is the drive box or the cover
	F704907	Spanner Bit	
3	F432260	Screw	1/4 inch; 20 x 2-1/2 inch; Used in place of F430996 Screw; Typical location is the door box to the bracket
	N/A	Phillips Bit	
4	N/A	Screw	1/4 inch; 20 x 1/2 inch; Used in place of F430925 Screw; Typical location is the drive box or cover
	N/A	Hex Bit	
5	F432259	Screw	No. 8; 32 x 1/2 inch; Used in place of F430956 Screw; Typical location is the side panels and module cover
	281P4	Torx Bit	

N/A = Part no longer available

Special Tools



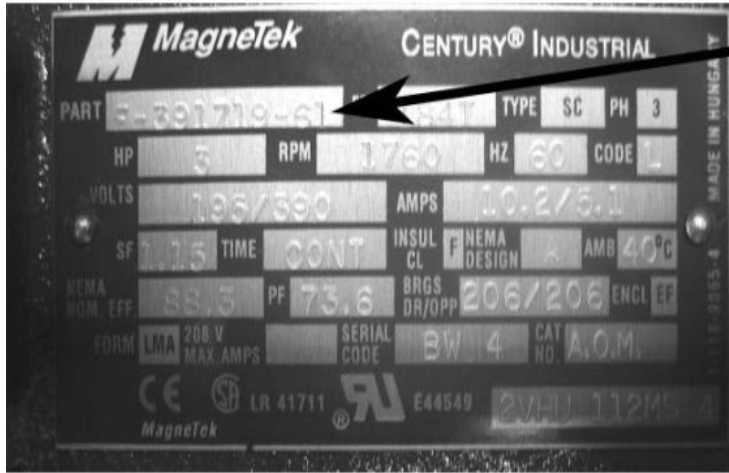
PHM2978P_F232164

Special Tools

REF	PART NO.	DESCRIPTION	COMMENTS
	F370851P	HIM Drive	Used with Allen-Bradley 160-series A and B inverter drives
	F798751	HIM Drive	Used with Allen-Bradley 160-series A, B and C inverter drives
	1113P	Concrete Hardware Kit	
1	F633426	Alignment Shaft Assembly	Model UW35PV
2	F0100312-00	Shaft Seal Alignment Fixture	
3	F460130	Bearing Removal Tool	
4	F604501	Rebar Frame Template	
5	F798700	Grease Gun Kit	Includes items 6 and 7
6	F210206P	Bearing Grease	
7	F210207P	Grease Gun	

Motor Manufacturer's Part Number on the Motor's Nameplate - Model UW35PV

F220215M



Motor
Manufacturer
Part No.
F-391719-61

PHM2362P

F220215U



Motor
Manufacturer
Part No.
G63653

PHM2363P

Motor Manufacturer's Part Number on the Motor's Nameplate - Model UW35PV



F0220439-00
Motor
Manufacturer
Part No.
F-392446-60

F0220242-00
Motor
Manufacturer
Part No.
392281

Parts Index

A

AC Drive Kit, 160-Series	
F0370843-785	27
F0370857-778	27
F0370858-778	27
AC Drive Partition	
F0635366-01	13
F635366	13, 15, 17
AC Drive Radio Filter Assembly	
F200320900	21, 23
AC Drive Resistor Assembly	
F8079901P	23
F8080001P	23
Air Coupling	
F422114	57, 59
Air Flow Ramp Assembly	
F0637748-00	13, 15, 17
Air Trap Hose	
F020014200	25
Alignment Shaft Assembly	
F633426	71
Antisiphon Valve	
F380801P	39, 41

B

Balance Switch Bracket	
F601750	31
Ball Valve	
F380636	67
Basket Assembly	
F604129	47
F604377	47
Basket Pulley	
F200299700	59
Battery	
F191101	13
Bearing	
F100122	59
F100123P	59
Bearing Grease	
F210206P	71
Bearing Removal Tool	
F460130	71
Before Power Is Connected Tag	
F230501	11
Belt	
F0280433-00	59
F280354	57
Belt Inspection Port Cover	
F200188300	53
Bolt	
F0430720-00	59
Box	
F140413	61
F140432	65
Bushing	
F280409P	57

Buzzer	
F300206	19

C

Cable	
F140225	57
F140651	57
Cable Assembly	
F604713	23
Cable Tie	
F140605	13, 15, 17, 57, 59
F140606	13, 15, 17
Cable Tray Assembly	
F635615-1	13
F635615-2	15, 17
Cable Tray Cover	
F635478	13, 15, 17
Cage Wrap Weldment	
F0635738-00	53
F635609	53
Canister Cover O-Ring	
F170218	67
Cap Plug	
F180486	23
Chemical Supply Cup	
F150385	33
F150386	33
Chemical Supply Hose	
F150478	33
Circuit Breaker	
F350207P	65
F350210	23
F350218	23
F8303001P	19, 21
Clockwise Spin Rotation Decal	
F230652	11
Coil	
F8514601	41, 43
Cold Water Valve Decal	
F231368	11
Computer	
F037047530P	17
Computer Cover	
F606826	13
Concrete Hardware Kit	
1113P	71
Conductor Decal	
F231146	11
Connector	
F140575P	23
F140576P	23
F422500	25
J1408004	57, 59
Contact Base	
F8538101	13, 15, 17
Contact Block Switch	
F200233401P	13, 15, 17
F200299500	13, 15, 17
F340445	13, 15, 17

N/A items do not appear in index.

Contact Switch	
F8069501	13, 15, 17
Contactors	
F330177P	65
F330188P	61
Containment Device	
F0380809-00.....	37, 43
Control Cover	
F0636887-00.....	17
Control Module Cover	
F634558	15, 17
F635456	13
Control Module Decal	
F0231565-00.....	17
F231417	15
F231562	13
Control Module Sub-Assembly	
F635664	67
Control Panel Sub-Assembly	
F634278	65
Control Transformer Cover	
F140425	63
Cotter Pin	
F430401	59
Cover Assembly	
F630300	67

D

Diaphragm and Guide Kit	
G582P3	25
DIN Coil	
F380987P	35, 37, 39, 41, 43, 63
DIN Harness Assembly	
F141901P	35, 37, 39, 41, 43
DIN Valve Adapter Kit	
F8382301	41, 43
DIN Valve Adapter Kti	
F8382301	63
DIN Valve Kit	
F381703P	43
F8521501	37, 39, 41, 63
F8521801	63
Disconnect Power Warning Label	
505281	11, 13, 15, 17
Dispenser Assembly	
F0150512-00P	33
Dispenser Lid	
F0150514-00.....	33
Do Not Push Decal	
F230302	11, 53
Door Assembly	
F200119400	49
F200119500P.....	49
Door Box	
F0605466-00.....	51
Door Box Assembly	
F604191	51
Door Box Mounting Plate Assembly	
F605525	51
Door Bracket Latch Shim	
F631989	49

Door Butt Hinge	
F200030700	49
Door Butt Shim	
F0610695-00	49
Door Gasket	
F017014301	49
Door Glass Gasket	
F170112.....	49
Door Handle Casting	
F150203	49
Door Hinge Pin	
F601815	49
Door Hinge Strap	
F200030600	49
Door Latch Bracket Shim	
F602058	49
Door Lock Solenoid	
F300129P	51
Drain Canister Weldment	
F632355	67
Drain Connector Tee	
F8017101	45
Drain Hose	
F0150331-00	45
F150442	67
F610376P	45
F8105901	45
Drain Valve Body	
F380920	45
Drain Valve Cover	
F200133600	45
Drain Valve Motor	
F380933P	45
Draw Latch	
F432201	67
Drip Rail	
F150364	47
Drive Kit, 160 to PowerFlex 40	
F8171402	29
F8171502	29
F8255201	29
F8255301	29

E

Elbow	
F0422918-00	37, 43
F422319	49
70079601	63
Electrical Access Panel	
F0637549-00	13, 15, 17
F635448	13
Element	
F360205P	61
Emergency Stop Button Kit	
F200233700P	13, 15, 17
Emergency Stop Pushbutton	
F200233500	13, 15, 17
EMI Filter	
F330280P	23
F330281	23
F330285	23

N/A items do not appear in index.

Extension	
F421938	49
Extension Arm Kit	
F746800	49
External Supply Box	
F635468	13, 15, 17
External Supply Box Cover	
F635365	13, 15, 17
External Supply Connection Decal	
F230764-10	11
F230764-9	11
F230917-1	11
Extrusion Insert	
F150397	53

F

Face Seal	
F8162101	57
Fill Plumbing Assembly	
F0637639-03	43
F633832-1	39, 41
F633832-5	39, 41
F634091-1	39, 41
F634091-5	39, 41
Filter	
F200318900P	19, 21
Filter Basket Weldment	
F630298	67
Filter Retainer Guard	
F220900	19, 21
Flange Relay	
F330230	19, 21
Frame Weldment	
F0637533-00	55
F633757	55
Front Bearing Kit	
F798824-00	57
Front Panel	
F635660P	53
Fuse	
F350108	19, 21
F350109	19, 21
F350110	19, 21
F350115	23
F350142	21, 23
Fuse Decal	
F0231629-00	23
Fuse Holder	
F0350312-10	23
F0350313-00P	23

G

Gasket	
F170158P	33
Gate Valve	
F380500	39, 41, 43, 67
Glass	
F290203P	49
Glass Kit	
F290202P	49

Gravity Drain Valve	
803292	45
Grease Fitting	
F190701	57, 59
Grease Gun	
F210207P	71
Grease Gun Kit	
F798700	71
Grease Instruction Decal	
F231563	57, 59
Ground Decal	
F230630	23
F230739	65
Ground Terminal Lug	
F140734	23

H

Hex Bit	
F704906	69
HIM Drive	
F370851P	71
F798751	71
Hose	
F200104P	39, 41, 43
Hose Adapter	
F421908	35, 37, 39, 41, 43
Hose Barb	
F421930	39, 41, 43
F421964	39, 41, 43
Hose Clamp	
F200201	45
F200206	39, 41, 43
F200213	33, 45
F200215	25, 45, 67
F200222	39, 41, 43
36801	47
Hose Strap	
F605324	53
Hot Surface Warning Decal	
F200085000	11
F231380	11
Hot Water Valve Decal	
F231367	11

I

Injection Nozzle	
F8322001	33
Injection Nozzle Kit	
F730168	33
Input Block Decal	
F0231636-00	23
Input Power Block	
F140747	61
F140794-1	23
Insulator Bushing	
F140909	23
Interlock Switch	
F340900	31, 51
Interlock Switch Spacer	
F601055	51

N/A items do not appear in index.

Inverter Drive	
F370857	27
F370858	27

J

Jumper Kit	
F784003P	19

K

Key	
F430801	57, 59
F430802	57, 59
Keymode Assembly	
F200174600P	23
Keymode Run/Program Switch	
F340800P	23
Keypad	
F023158231P	17
F370576P	15
Keypad Decal	
F230724P	13

L

Line Reactor Kit	
F0360158-00P	27
Lower Door Latch Bracket Casting	
F150202	49
Lower Door Latch Casting	
F150204	49

M

Magnet	
F8390801	51
Magnetic Switch Assembly	
F200321200	51
Main Drive Kit	
F380918	45
Microcomputer	
F0370313-09P	15
Momentary Switch	
F200120100	13, 15, 17
F340412	13, 15
Motor	
F0220439-00	57
F220215M	57
F220215U	57
Motor Adjustment Strap	
F602166	59
Motor Conversion Kit	
F8329101P	59
Motor Drip Shield	
F200216900	59
Motor Pulley	
F0280383-00	59

Motor Pulley Bushing	
F280209	59
F280211P	57
Motor Support Bushing	
F200186100	59
Motor Support Rod Kit	
F730076	59
Muffin Fan	
F110105	19, 21

N

Nipple	
F420101	35, 37, 39, 41, 43
F420103	35, 37, 39, 41, 43
F420105	35, 37, 43
F420708	63
F420709	63
F421915	67
F421949	35, 37, 39, 41, 43
No-Swivel Coupling	
F422109	49
Nut	
F0431807-00	53
F430211	45, 53
F430215	47, 51, 53, 61, 63
F430218	31
F430231	13, 15, 17, 19, 21, 51
F430232	51, 67
F430233	59
F430240	59
F430264	53
F431000	13, 23
F431002	49
F431005	45
F431006	23
F431016	23
F431021	51
F431022	23, 49
F431024	67
F431042	33
F431806	21
F854940	49
H88412101	31
20274	31, 47, 55, 57
70142	55
802292	33

O

O-Ring	
F0170221-00	37, 43
F170200	49
F170208	33
F170215	33
Output Board CCA	
F370447-6P	21
Output Board Cover	
F0170427-00	21
Output CCA	
F037044860-2	21
F8321901P	19
Overflow Hose	
F150353	45

N/A items do not appear in index.

Overflow Plug F150352	67
--------------------------------	----

P

Personal Injury Warning Decal F231065	11, 23
Pin F430415	53
Pipe Insulation F410300	63
Plug F0200237-00	47
F200202600	63
F420408	39
F420409	63
Plug Cap F190304	33
Plug Removal Warning Decal F0230112-00	11, 47
Pop Rivet F431210	47
Program Key F370709	23
Pulley F280146P	57
F280410	57
Pump F270102P	67
Push Decal F230303	51
Push Handle Kit F746201-1	51

R

RC Network Filter F330217P	15, 17, 51
Rear Bearing Kit F745010	57
Rear Panel F200187800P	53
Rebar Frame Template F604501	71
Repair Kit F380964P	41
Resistor F370116	21, 23
Retainer Ring Spinning F320100	49
Retrofit Kit, 160 to PowerFlex 40 F8255203	29
F8255303	29
Ribbon Cable F140218P	13, 19
F140219P	13, 15, 17, 19
F140248P	13, 19
Ring Retainer F310206	49
Rotation Sensor Assembly F200126200P	31

Rotation Sensor Bracket F200122500	31
Rotation Sensor Harness F8066401	31
Rotation Sensor PCB F200101300P	31
Rotation Sensor Retrofit Kit F079900800	31
Rub Rail F150407	53

S

Screw F0430165-00	19, 21
F0430272-00	69
F0430273-00	69
F0430274-00	69
F0430275-00	69
F430103	45
F430104	63
F430107	61
F430116	55
F430124	31
F430168	49
F430518	47
F430903	23, 67
F430909	23, 51
F430910	19, 21
F430917	13, 15, 17, 33, 49, 51
F430921	53
F430923	67
F430924	55
F430927	31, 49, 59
F430928	13, 15, 17, 65
F430932	67
F430935	63
F430938	23, 37, 43, 61
F430939	67
F430956	53
F430960	69
F430987	59
F430993	57
F430995	23
F430996	51
F431702	21
F432234	53
F432259	69
F432260	69
F8136401	13, 15, 17
70240301	13, 15, 17, 53
800461	31
Scupper F150389	47
Seal Kit F798819-00	57
Shaft Seal Alignment Fixture F0100312-00	71
Shaft Seal Sleeve F8312008P	47
Shell Assembly F634510	47
Shell Band Fastener Kit F791001	47

N/A items do not appear in index.

U

U-Bolt Clamp	
F200401P	35, 37, 39, 41, 43, 63

V

Vacuum Breaker Cap	
F0380808-00.....	37, 43
Vacuum Breaker Kit	
F0798922-00.....	37, 43
Vacuum Breaker Valve	
F063754701P	35, 43
F603754701P	37
Valve	
F381703P	35
F8322801P	63
F8322803P	41, 43
Valve Kit	
F8379501P	63
Valve Repair Kit	
F380993P	41, 43
Valve Transition Kit	
F8456201P	41, 43
Valve, 4-Way	
F381723P	25

W

Washer	
F0431159-00	59
F430300	57
F430311	61
F430317	47, 53
F430325	59
F430327	59
F430332	57, 59
F431100	49, 51, 53
F431104	51
F431106	23
F431108	13, 15, 17, 23
F431113	13, 15, 17
F431118	49
F431123	13, 15, 17
F431125	13, 15
F431142	51
F431147	33, 45
F8195301	33
M400014	31, 45, 55, 57
M400080	59
M400081	31, 47, 55, 57
20290	35, 37, 39, 41, 43
803615	35, 37, 39, 41, 43
Water Hose	
F200107P	47
F200164	35, 37, 39, 41, 43
F200166	35, 37, 39, 41, 43
F200509	39, 41, 43
Water Level Switch	
F0340345-10P	25
WE-6 Computer	
F037062441P	13

WE-6 Interface CCA Kit	
F0370446-21P	19
F370446-1P	19

N/A items do not appear in index.

