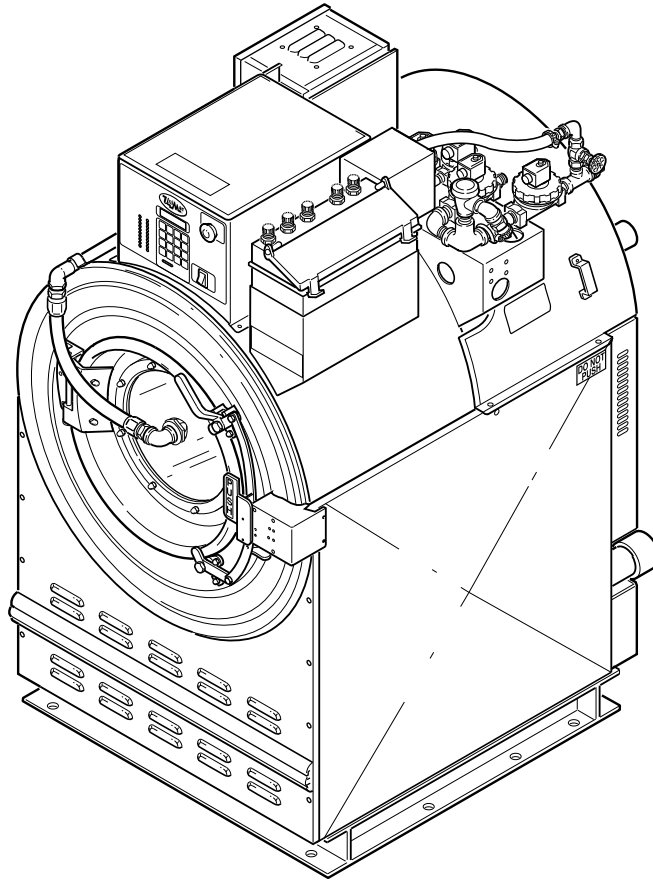


Washer-Extractor

Pocket Hardmount

UW35PV



U055C_F232150

Table of Contents

Title	Page
Parts Ordering Information.....	2
Nameplate Location.....	2
Model Identification.....	3
Pocket Hardmount Washer-Extractor Product Overview.....	4
Decals.....	6
Control Module (Drawing 1 of 5).....	8
Control Module (Drawing 2 of 5).....	10
Control Module (Drawing 3 of 5).....	12
Control Module (Drawing 4 of 5).....	14
Control Module (Drawing 5 of 5).....	16
Stainless Steel Supply Dispenser.....	18
Supply Dispenser.....	20
Water Supply Valve and Hoses to Supply Dispenser - Mueller Valve.....	22
Water Supply Valve and Hoses to Supply Dispenser - Elbi Valve.....	24
Spray and Fill Plumbing.....	26
Spray Plumbing.....	28
Fill Plumbing.....	30
Vacuum Breaker Assembly with Leak Containment Kit.....	32
Drain Valve and Hoses.....	34
Basket and Shell.....	36
Door and Spray Rinse.....	38
Door Box.....	40
Panels.....	42
Frame.....	44
Motor and Pulley.....	46
AC Drive (Drawing 1 of 5).....	48
AC Drive (Drawing 2 of 5).....	50
AC Drive (Drawing 3 of 5).....	52
AC Drive (Drawing 4 of 5).....	54
AC Drive (Drawing 5 of 5).....	56
Steam Heat Option.....	58
Electric Heat Option.....	60
Wet-Clean Option Control Module.....	62
Wet-Clean Option Main View.....	64
Security Fasteners.....	66
Special Tools.....	68
Motor Manufacturer's Part Number on the Motor's Nameplate.....	70
Parts Index.....	71

© Copyright 2013, Alliance Laundry Systems LLC

All rights reserved. No part of the contents of this book may be reproduced or transmitted in any form or by any means without the expressed written consent of the publisher.

Parts Ordering Information

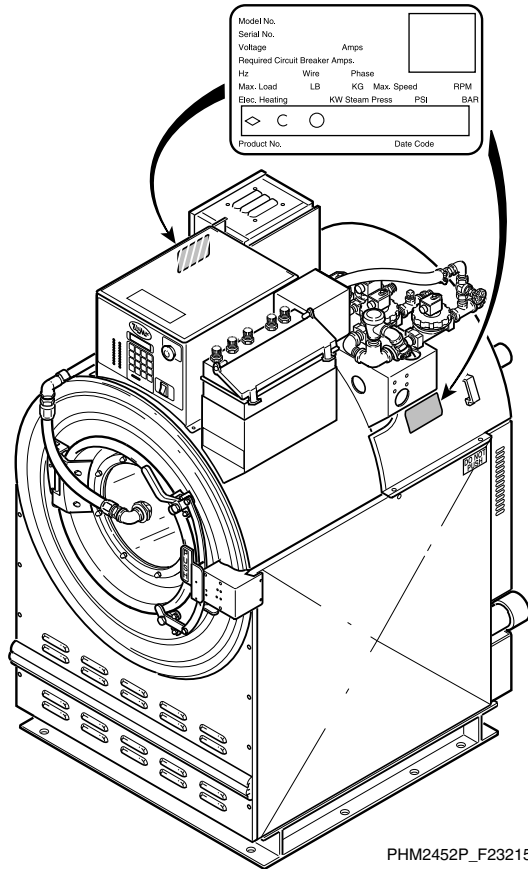
If literature or replacement parts are required, contact the source from whom the machine was purchased or contact Alliance Laundry Systems at (920) 748-3950 for the name and address of the nearest authorized parts distributor.

For technical assistance, call either of the numbers listed below:

(920) 748-3121 Ripon, Wisconsin
+32 56 41 20 54 Wevelgem, Belgium

Nameplate Location

When calling or writing about your product, be sure to mention model and serial numbers. Model and serial numbers are located on nameplate(s) as shown.



Model Identification

Information in this manual is applicable to these washer-extractor models:

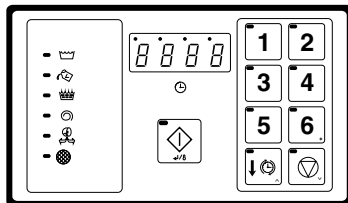
UW35PV

NOTE: This manual applies to models with either 1, 2, 3 or 4 in the 8th position in the model number (e.g. UW35PVU10001)

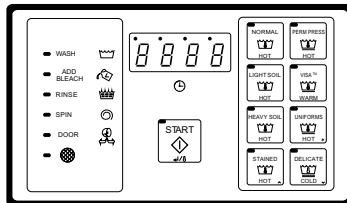
Pocket Hardmount Washer-Extractor Product Overview

Model No. UW60AMXUB0001
 Serial No. 00000000000
 Voltage 200 – 240 Amps 10
 Circuit Breaker 15 Amps
 Hz 50 – 60 Wire 2/3 Phase S 3
 Max. Load 60 LB 27 KG Max. Speed 594 RPM
 Elec. Heating N/A Steam Press. N/A PSI 0.0 BAR

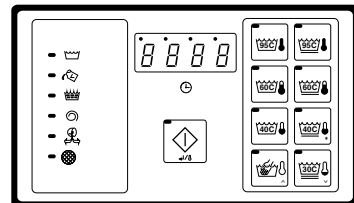
Drawings:
 ETL Listed
 Conforms To ANSI/UL Std. 1206, 3rd Ed
 Certified To CAN/CSA Std. C22.2 No.53-1968



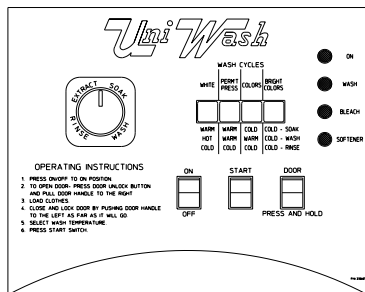
A-Control



B-Control (Domestic)



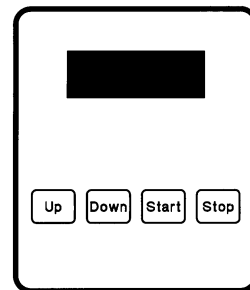
B-Control (International)



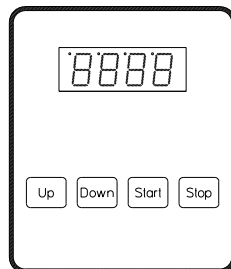
Mechanical Timer



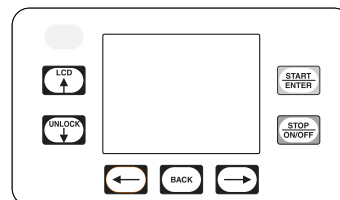
WE-6 Control



S-Computer



V-Computer



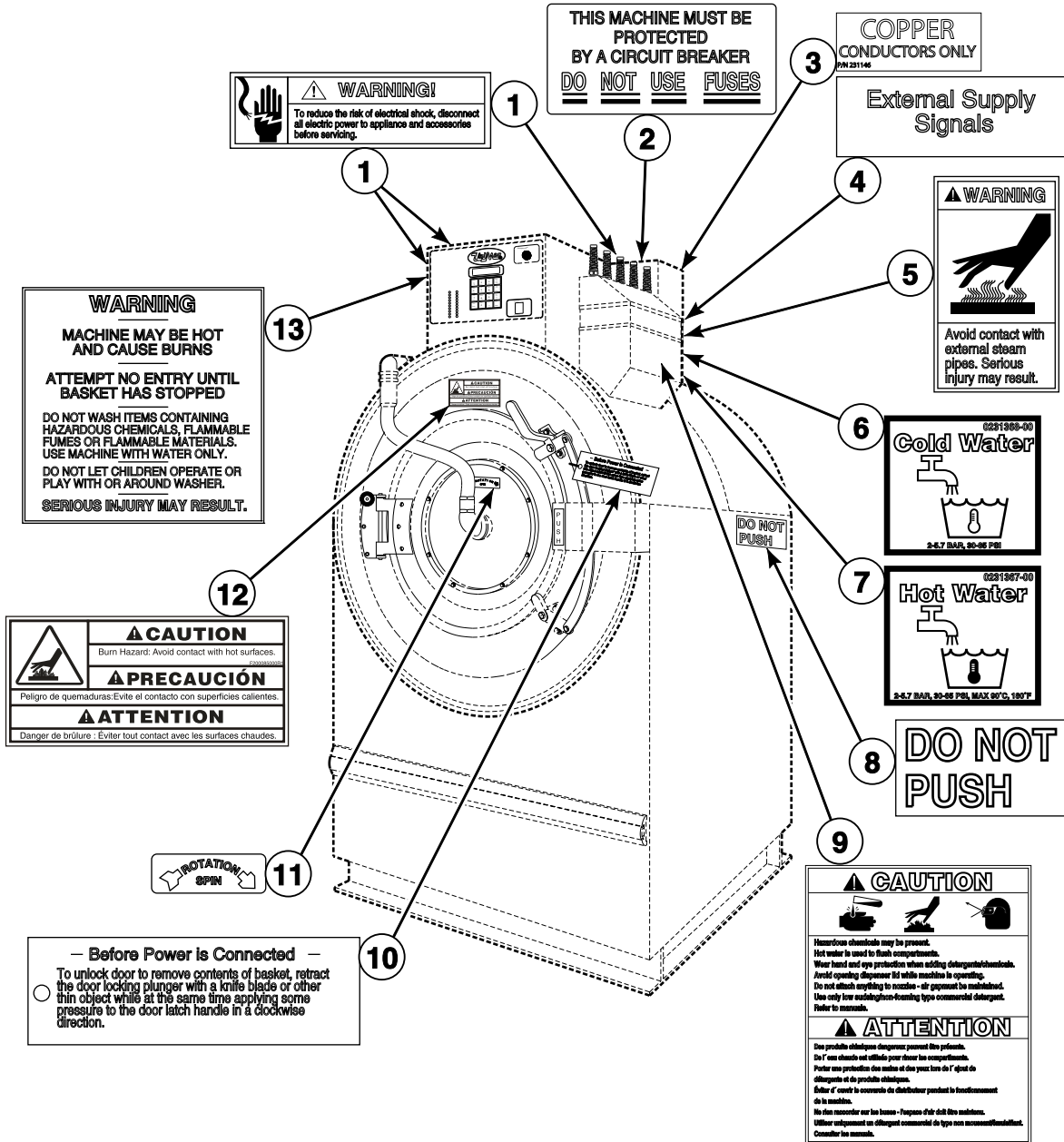
UniLinc Control

PHM2979P_F232150

Pocket Hardmount Washer-Extractor Product Overview

REF	PART NO.	DESCRIPTION	COMMENTS
1	-	Product Family	UW
2	-	Capacity (Pounds)	35 60 80 100 125 150
3	-	Control	A (A-Control) B (B-Control) M (Mechanical Timer) P (WE-6 Control) S (S-Computer) V (V-Computer) T (UniLinc Control)
4	-	Speed	2 (2-Speed) 3 (3-Speed) 4 (4-Speed) V (Variable-Speed)
5	-	Voltage	F (440-480/60/3/3) N (440-480/50-60/3/3) O (208-240/60/3/3) P (380-415/60-60/3/3) Q (200-208/220-240/50/60/3ph) R (380-415/440-480/50/60/3ph) X (200-220/220-240/50/60/1-3) Y (208-240/60/1/2)
6	-	OEM	U (Standard Specs)
7	-	Design Series	1-8

Decals

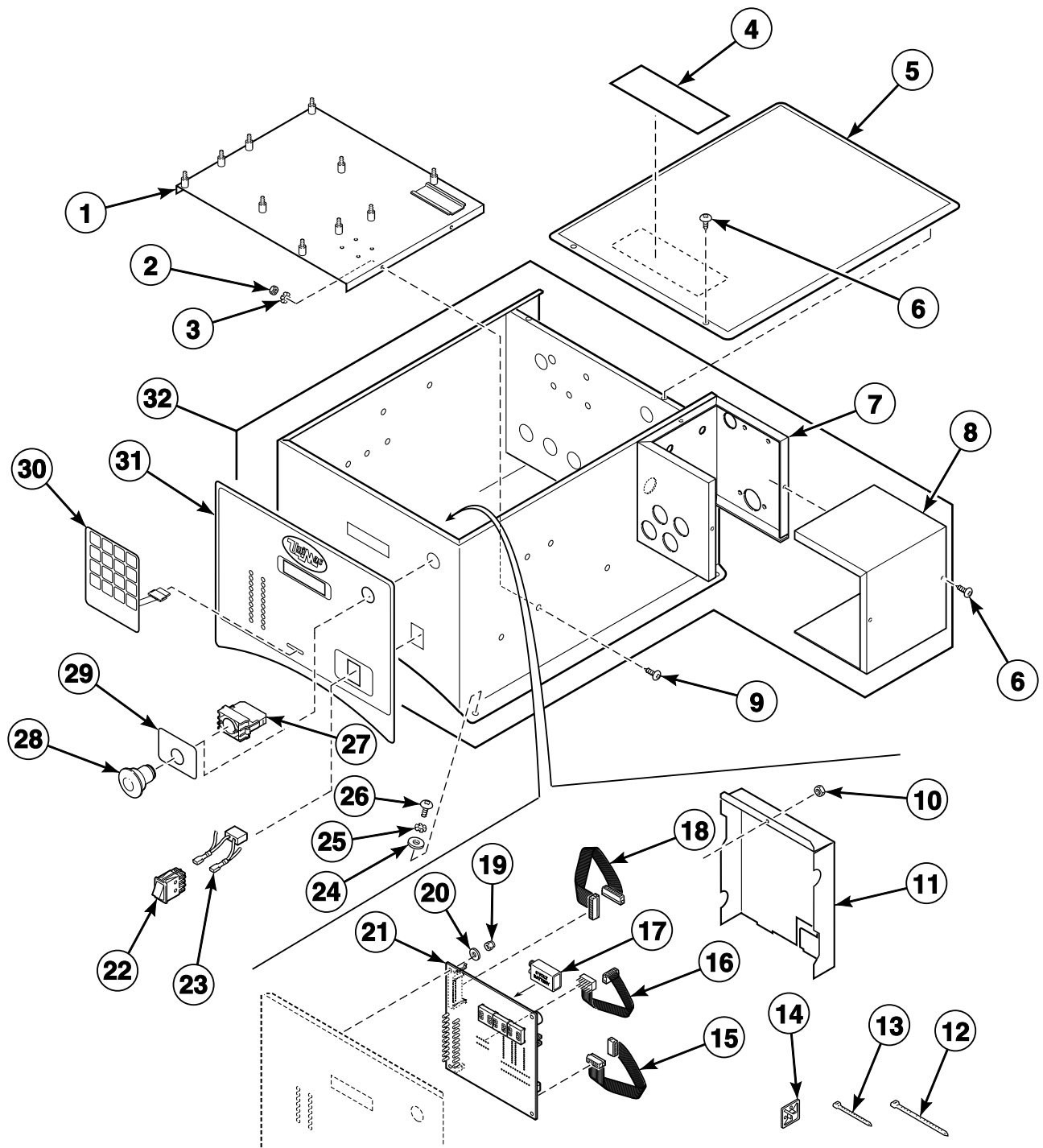


PHM2877P_F232150

Decals

REF	PART NO.	DESCRIPTION	COMMENTS
1	505281	Disconnect Power Warning Label	
2	F230301	This Machine Must Be Protected Decal	
3	F231146	Conductor Decal	
4	F230764-3	External Supply Connection Decal	M, N and P-voltage
	F230764-6	External Supply Connection Decal	Q and T-voltage
5	F231380	Hot Surface Warning Decal	
6	F231368	Cold Water Valve Decal	
7	F231367	Hot Water Valve Decal	
8	F230302	Do Not Push Decal	
9	F231436	Supply Dispenser Hazard Caution Decal	
10	F230501	Before Power Is Connected Tag	
11	F230652	Clockwise Spin Rotation Decal	
12	F200085000	Hot Surface Warning Decal	
13	F231065	Personal Injury Warning Decal	

Control Module (Drawing 1 of 5)



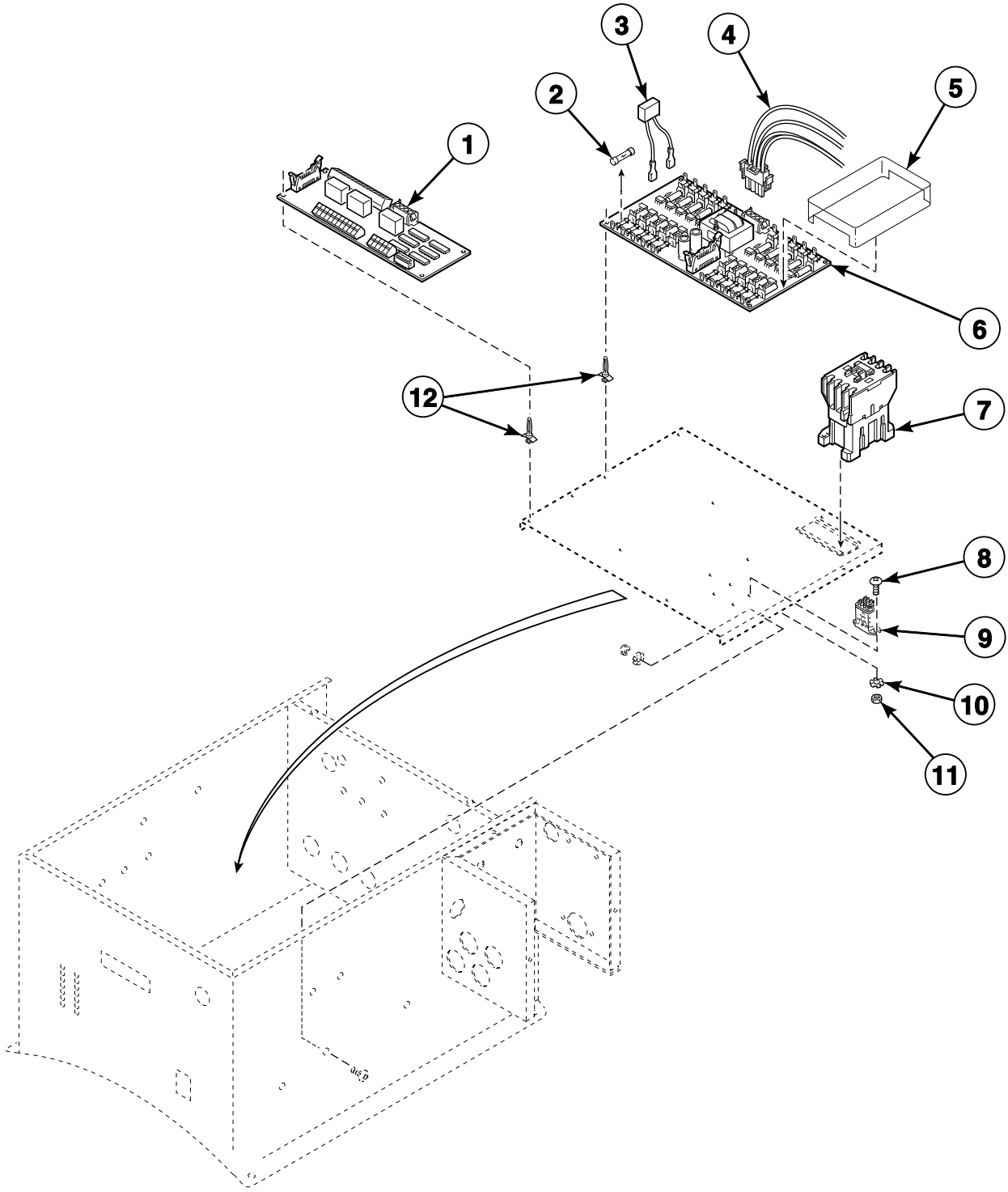
PHM2182P_F232150

Control Module (Drawing 1 of 5)

REF	PART NO.	DESCRIPTION	COMMENTS
1	F608385	Mounting Panel Assembly	
2	F431022	Nut	
3	F431113	Washer	
4	505281	Disconnect Power Warning Label	Warning: High voltage
5	F634558	Control Module Cover	
6	70240301	Screw	
7	F633434	External Supply Box	
8	F633435	External Supply Box Cover	
9	F430928	Screw	
10	F431000	Nut	
11	F606826	Computer Cover	
12	F140606	Cable Tie	15 inch
13	F140605	Cable Tie	6 inch
14	F140602	Tie Wrap Mounting Clamp	
15	F140218P	Ribbon Cable	16 pin; 12 inch; Connects interface cca to computer
16	F140223P	Ribbon Cable	16 pin; 8 inch; With 2 DTP; Connects computer to interface cca
17	F191101	Battery	9 Volt; Backup
18	F140219P	Ribbon Cable	26 pin; 15 inch; From computer to fuse board
19	F430231	Nut	
20	F431125	Washer	
21	F037062441P	WE-6 Computer	
22	F340412	Momentary Switch	
23	F330217P	RC Network Filter	Includes F140627 Connector and F141022 Connector
24	F431123	Washer	
25	F431108	Washer	
26	F8136401	Screw	
27	F340445	Contact Block Switch	800E-series; Includes mounting base
	F200299500	Contact Block Switch	800E-series; Without mounting base
	F200233401	Contact Block Switch	800F-series
28	N/A	Emergency Stop Pushbutton	800E-series; Order F200233700P Emergency Stop Button Kit
	F200233700P	Emergency Stop Button Kit	Used to convert from 800E-series; Includes F200233500 Emergency Stop Pushbutton and F200233401 Contact Block Switch
	F200233500	Emergency Stop Pushbutton	800F-series
29	F231083	Emergency Stop Decal	
30	F230724P	Keypad Decal	
31	F230721	Control Module Decal	
32	F604711-1	Module Sub-Assembly	Includes items 7 and 8

N/A = Part no longer available

Control Module (Drawing 2 of 5)



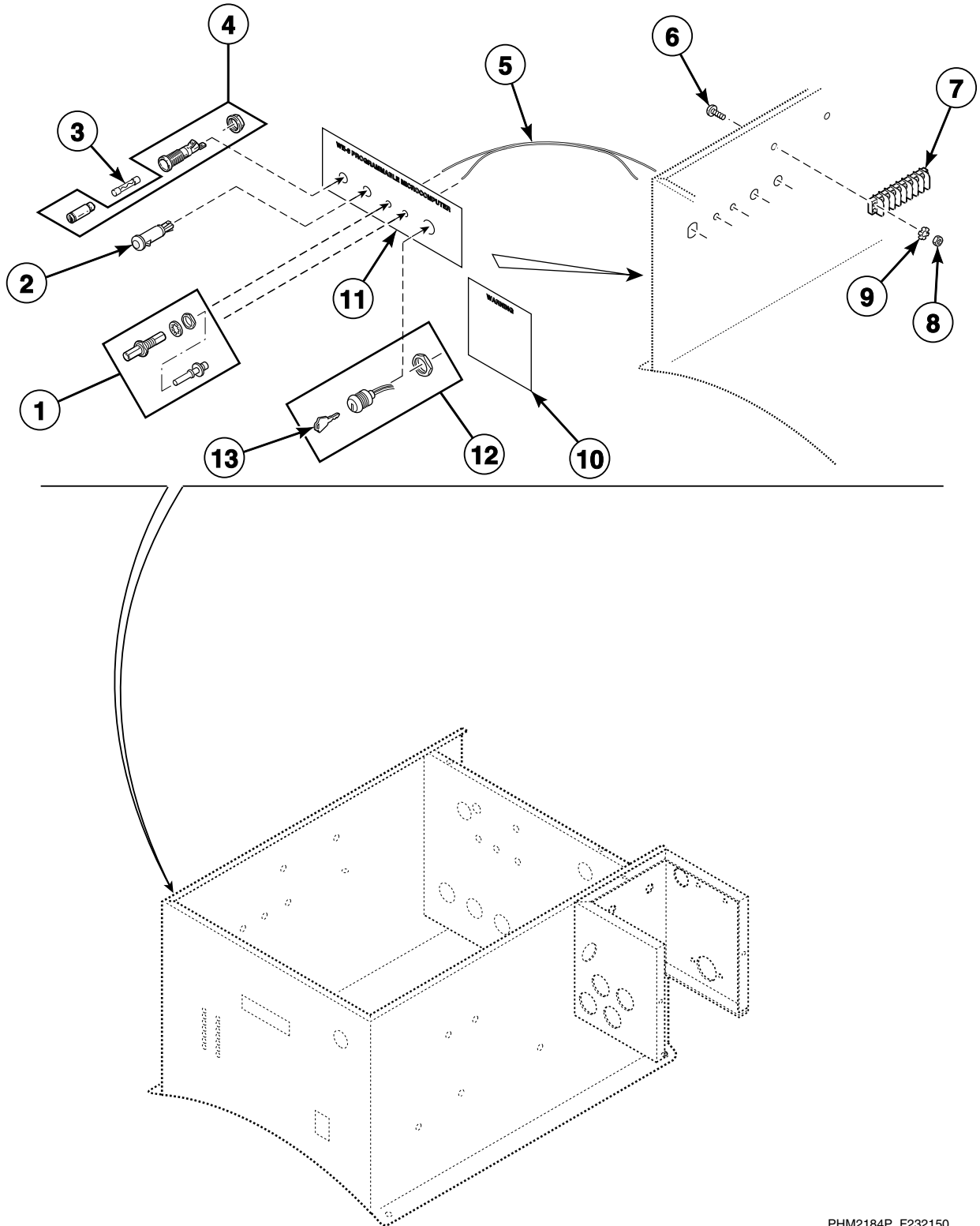
PHM2267P_F232150

Control Module (Drawing 2 of 5)

REF	PART NO.	DESCRIPTION	COMMENTS
1	F0370446-21P	WE-6 Interface CCA Kit	
2	F350108	Fuse	.125 Amp
	F350109	Fuse	.5 Amp
	F350110	Fuse	1 Amp
3	F330217P	RC Network Filter	Includes F140627 Connector and F191022 Connector
4	F784003P	Jumper Kit	
5	N/A	Dust Cover	
6	F0370444-10P	Output CCA	120 Volt
	F8321901P	Output CCA	220 Volt
7	F330175P	Contactora	120 Volt; C16
	F330177P	Contactora	220 Volt; C16
8	F430928	Screw	
9	F330227	Flange Relay	120 Volt
	F330230	Flange Relay	220 Volt
10	F431113	Washer	
11	F430231	Nut	
12	F180506	Standoff	

N/A = Part no longer available

Control Module (Drawing 3 of 5)

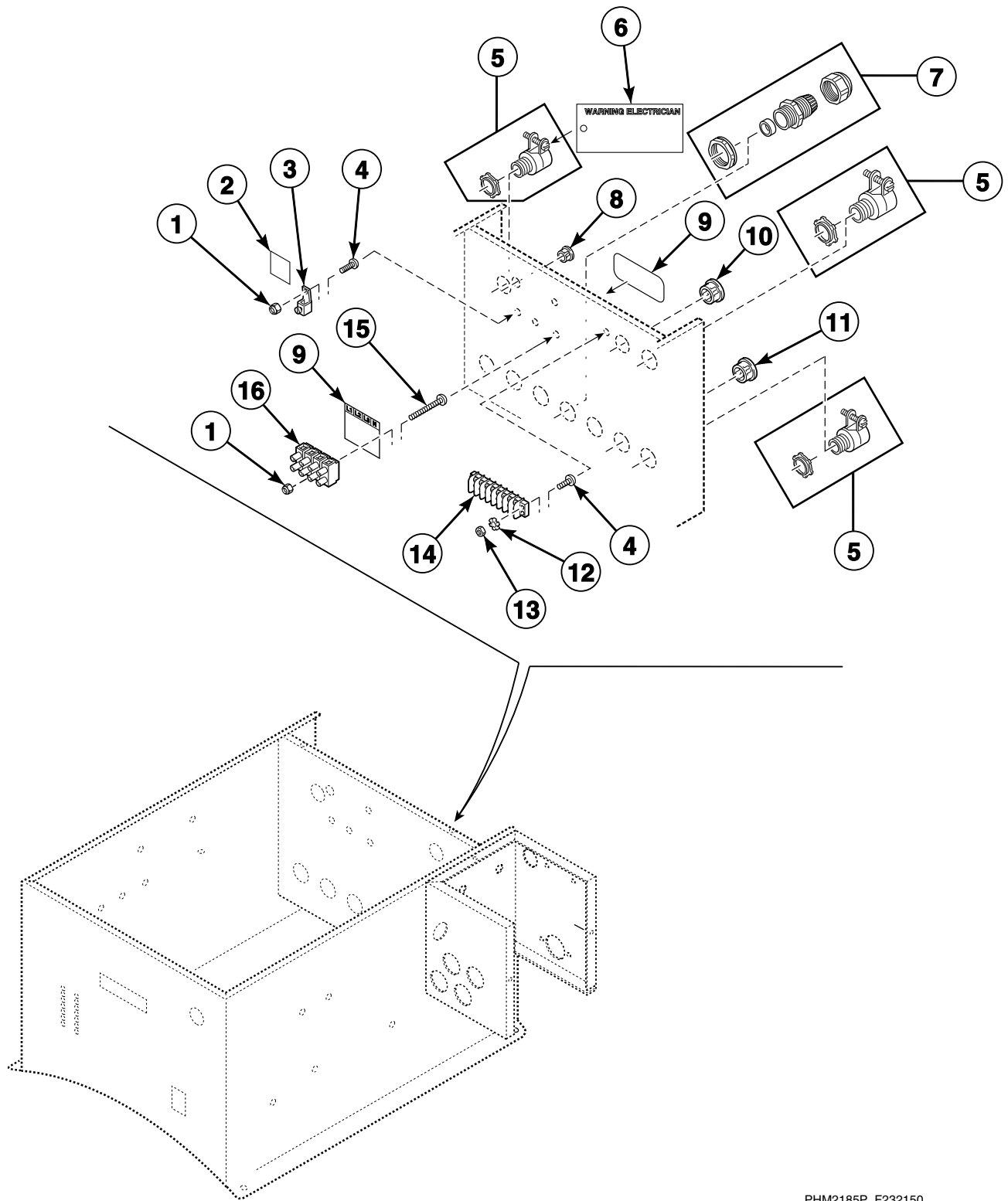


PHM2184P_F232150

Control Module (Drawing 3 of 5)

REF	PART NO.	DESCRIPTION	COMMENTS
1	F140575P	Connector	Gray
	F140576P	Connector	Blue
2	F350412	Light	120 Volt; Red
	F350414	Light	220 Volt; Red
3	F350104	Fuse	2 Amp
4	F350304P	Fuse Holder	
	F350210	Circuit Breaker	Used in place of items 3 and 4 on some models; 2 Amp
5	F604713	Cable Assembly	15 inch
6	F430928	Screw	
7	F140738	Terminal Strip	
8	F430231	Nut	
9	M400014	Washer	
10	F231065	Personal Injury Warning Decal	
11	F230678	Keymode Decal	Keymode switch
12	F200174600P	Keymode Assembly	Includes item 13; N and P-voltage models starting 10/7/04 through 1/14/05
	F340800P	Keymode Run/Program Switch	Includes item 13; N and P-voltage models through 10/6/04 and starting 1/15/05; All other voltage models
13	F370709	Program Key	Key code A153

Control Module (Drawing 4 of 5)



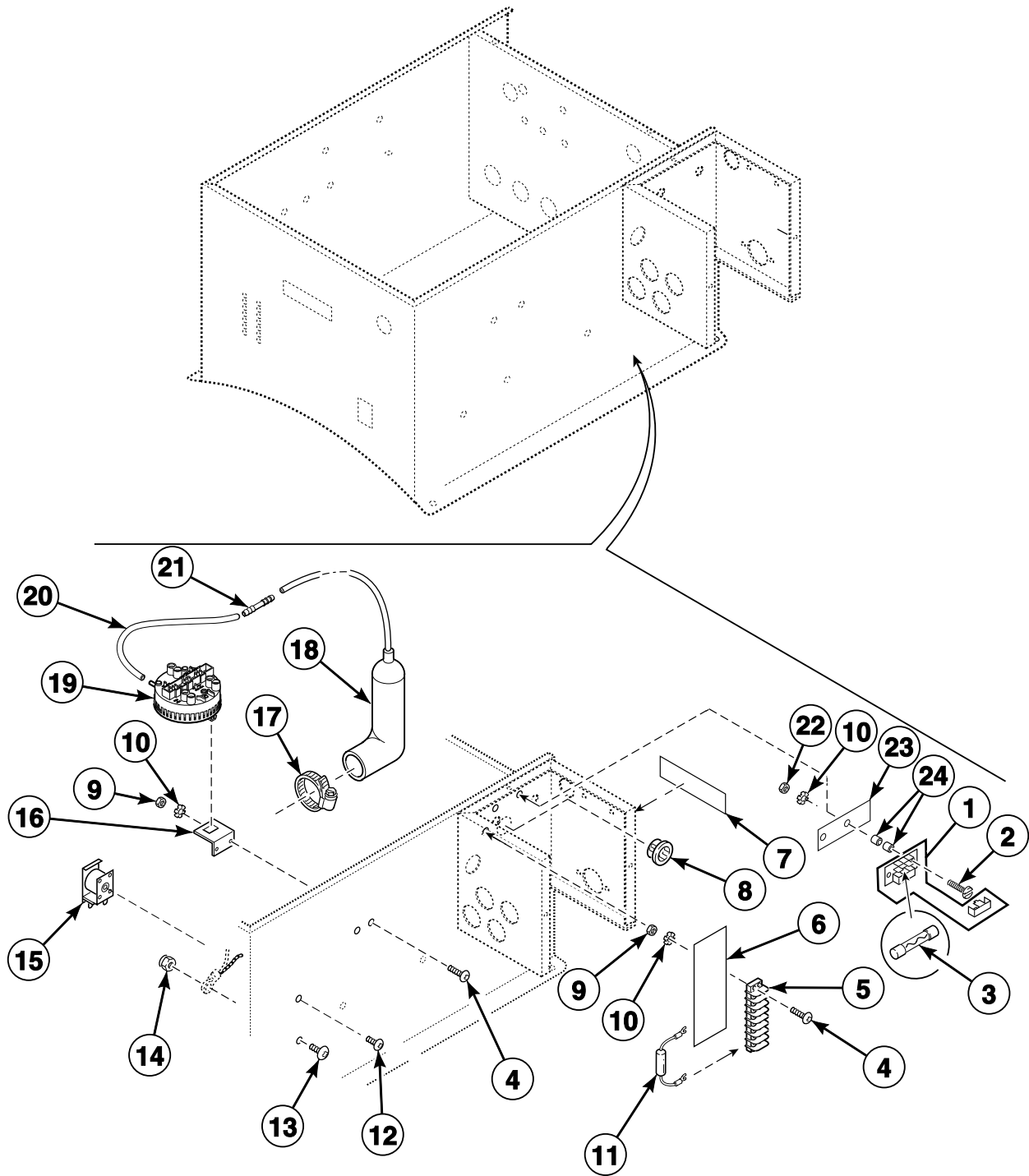
PHM2185P_F232150

Control Module (Drawing 4 of 5)

REF	PART NO.	DESCRIPTION	COMMENTS
1	F430231	Nut	
2	F230630	Ground Decal	
3	F140734	Ground Terminal Lug	
4	F430928	Screw	
5	F140311	Squeeze Connector	3/4 inch
6	N/A	Electric Warning Decal	
7	F140309	Connector	
8	F140800	Bushing	
9	F230677	Input Power Connector Decal	
10	F140527	Plug	
11	F140909	Insulator Bushing	
12	F431108	Washer	
13	F431006	Nut	
14	F140738	Terminal Strip	
15	F430938	Screw	
16	F140746	Input Power Block	

N/A = Part no longer available

Control Module (Drawing 5 of 5)



PHM2207P_F232150

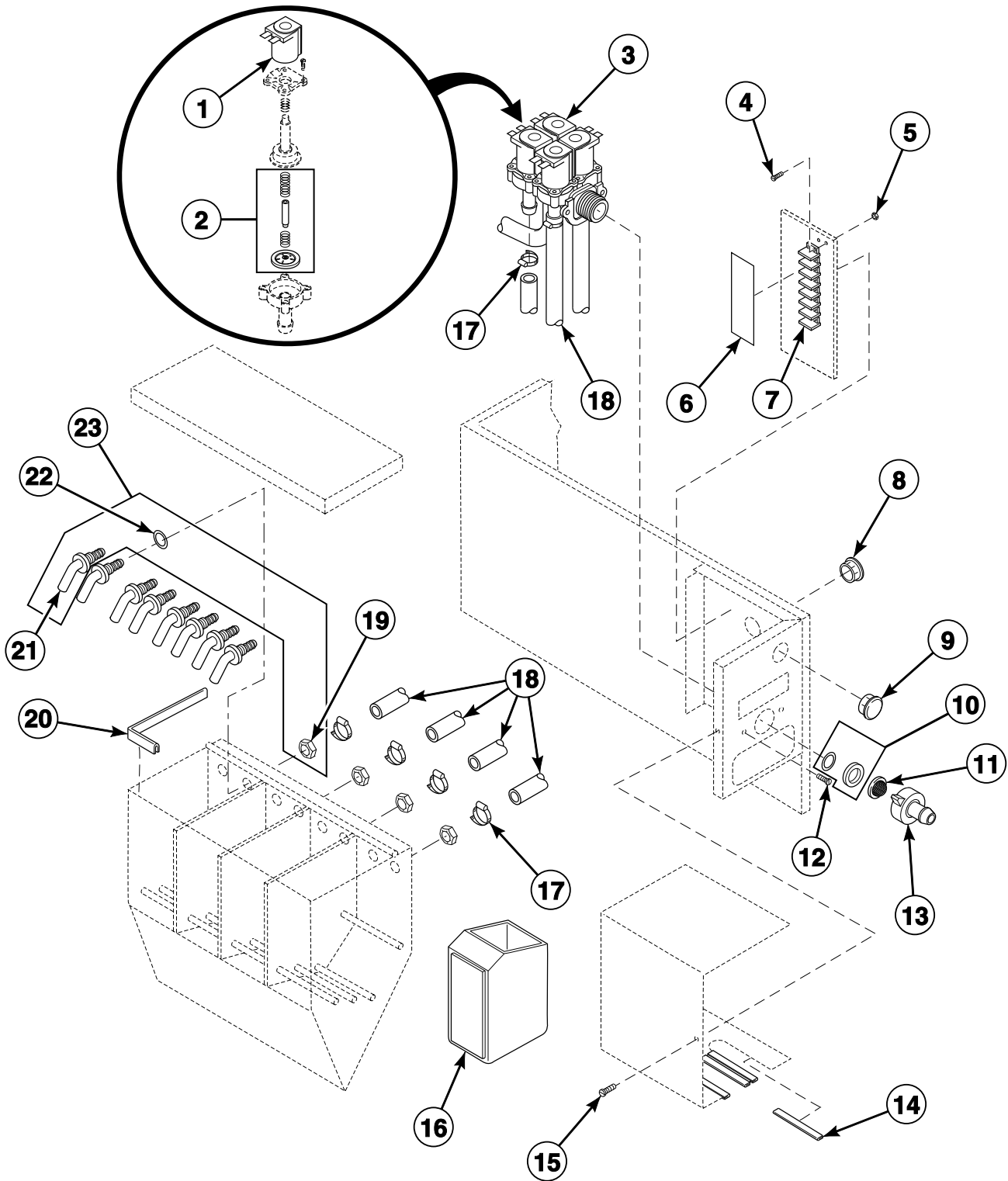
Control Module (Drawing 5 of 5)

REF	PART NO.	DESCRIPTION	COMMENTS
1	F0350312-10	Fuse Holder	
2	F431701	Screw	
3	F350115	Fuse	3 Amp
4	F430928	Screw	
5	F140738	Terminal Strip	
6	F230622	External Supply Decal	
7	F230606	External Supply Control Decal	
8	F140909	Insulator Bushing	
9	F431022	Nut	
10	F431113	Washer	
11	F610765P	Resistor Assembly	
12	F430916	Screw	
13	F430920	Screw	
14	F431017	Nut	
15	F300203P	Buzzer	120 Volt
	N/A	Buzzer	220 Volt
16	F630242	Water Level Switch Bracket	
17	F200215	Hose Clamp	No. 28
18	F020014200	Air Trap Hose	
19	F0340345-10P	Water Level Switch	
20	F422404P	Tubing	
21	F422500	Connector	
22	F431006	Nut	
23	F231271	External Supply Fuse Decal	
24	F431911	Spacer	

N/A = Part no longer available

Stainless Steel Supply Dispenser

Older Models



PHM611P_F232150

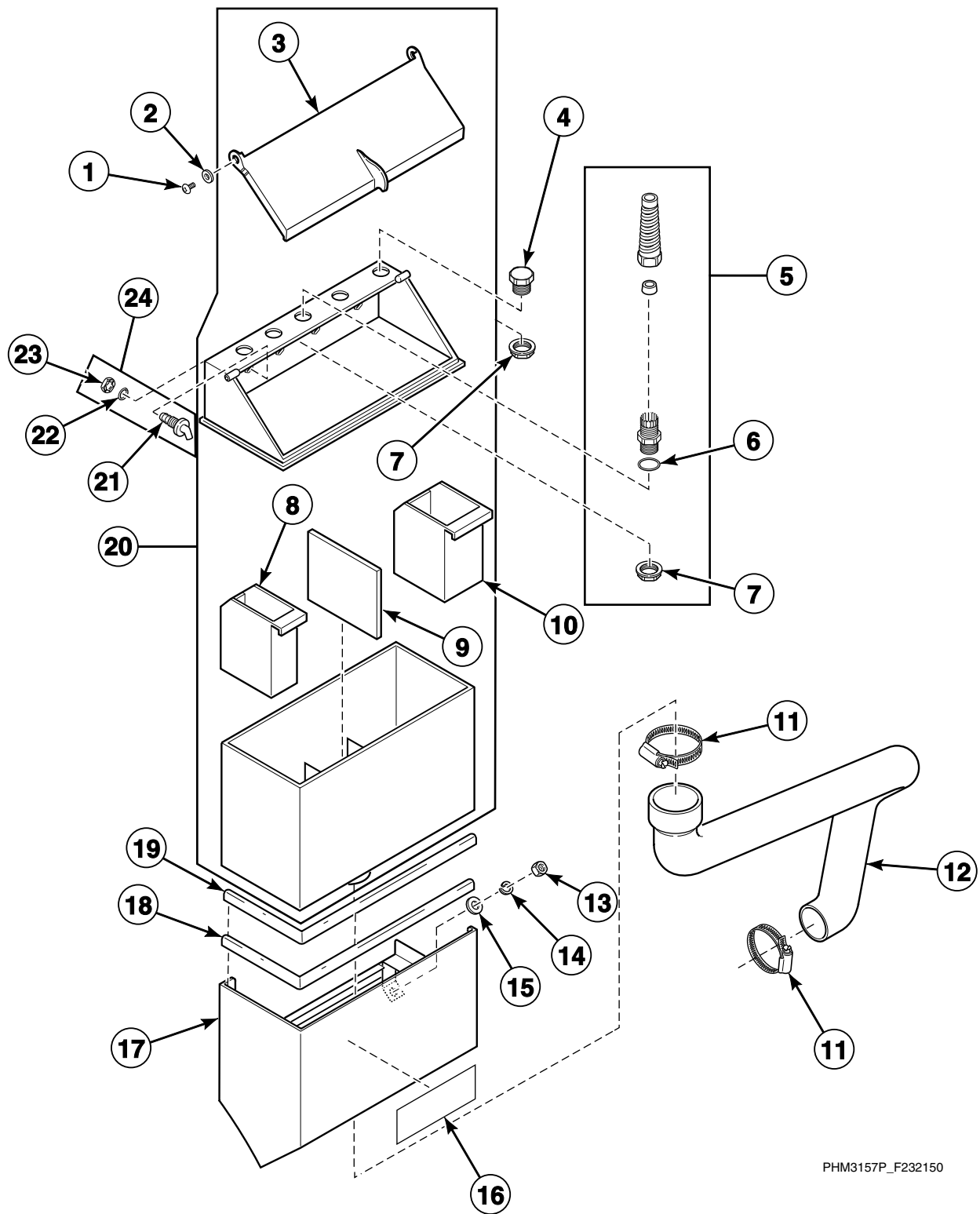
Stainless Steel Supply Dispenser

REF	PART NO.	DESCRIPTION	COMMENTS
1	F380900	Coil	120 Volt
	F380917	Coil	220 Volt
2	N/A	Valve Repair Kit	
3	F380715P	4-Way Valve	120 Volt
	F380725P	4-Way Valve	220 Volt
4	F430916	Screw	
5	F431022	Nut	
6	F230622	External Supply Decal	4 supply
	F230764-1	External Supply Connection Decal	5 or 8 supply; A, B and L-voltage
	N/A	External Supply Decal	5 or 8 supply; C-voltage
	F230764-3	External Supply Connection Decal	5 or 8 supply; M, N and P-voltage
	N/A	External Supply Decal	5 or 8 supply; G, I and W-voltage
	N/A	External Supply Decal	5 or 8 supply; D, E and J-voltage
	F230764-6	External Supply Connection Decal	5 or 8 supply; Q and T-voltage
	F230764-7	External Supply Connection Decal	5 or 8 supply; K, O, Q and Y-voltage
	N/A	External Supply Decal	5 or 8 supply; F, H, M, N and S-voltage
	F230764-9	External Supply Connection Decal	5 or 8 supply; M, N and P-voltage
	F230764-10	External Supply Connection Decal	5 or 8 supply; Q and T-voltage
	F230764-11	External Supply Connection Decal	5 or 8 supply; O and Y-voltage
	F230764-12	External Supply Connection Decal	5 or 8 supply; F-voltage
7	F140738	Terminal Strip	4 supply
	F140776	Terminal Block	5 supply
	F140782	Terminal Block	8 supply
8	F140909	Insulator Bushing	
9	F140527	Plug	
10	N/A	Flow Restrictor	8 liter
11	803615	Washer	
12	F430948	Screw	
13	F200302	Hose Connector	
14	F170402P	Gasket	
15	F430152	Screw	
16	F603411	Soap Supply Cup	
17	36801	Hose Clamp	No. 6
18	F200110P	Water Hose	
19	802292	Nut	
20	F170400RP	Trim	
21	F8322001	Injection Nozzle	
22	F170208	O-Ring	
23	F730168	Injection Nozzle Kit	Includes items 19, 21 and 22

N/A = Part no longer available

Supply Dispenser

Newer Models

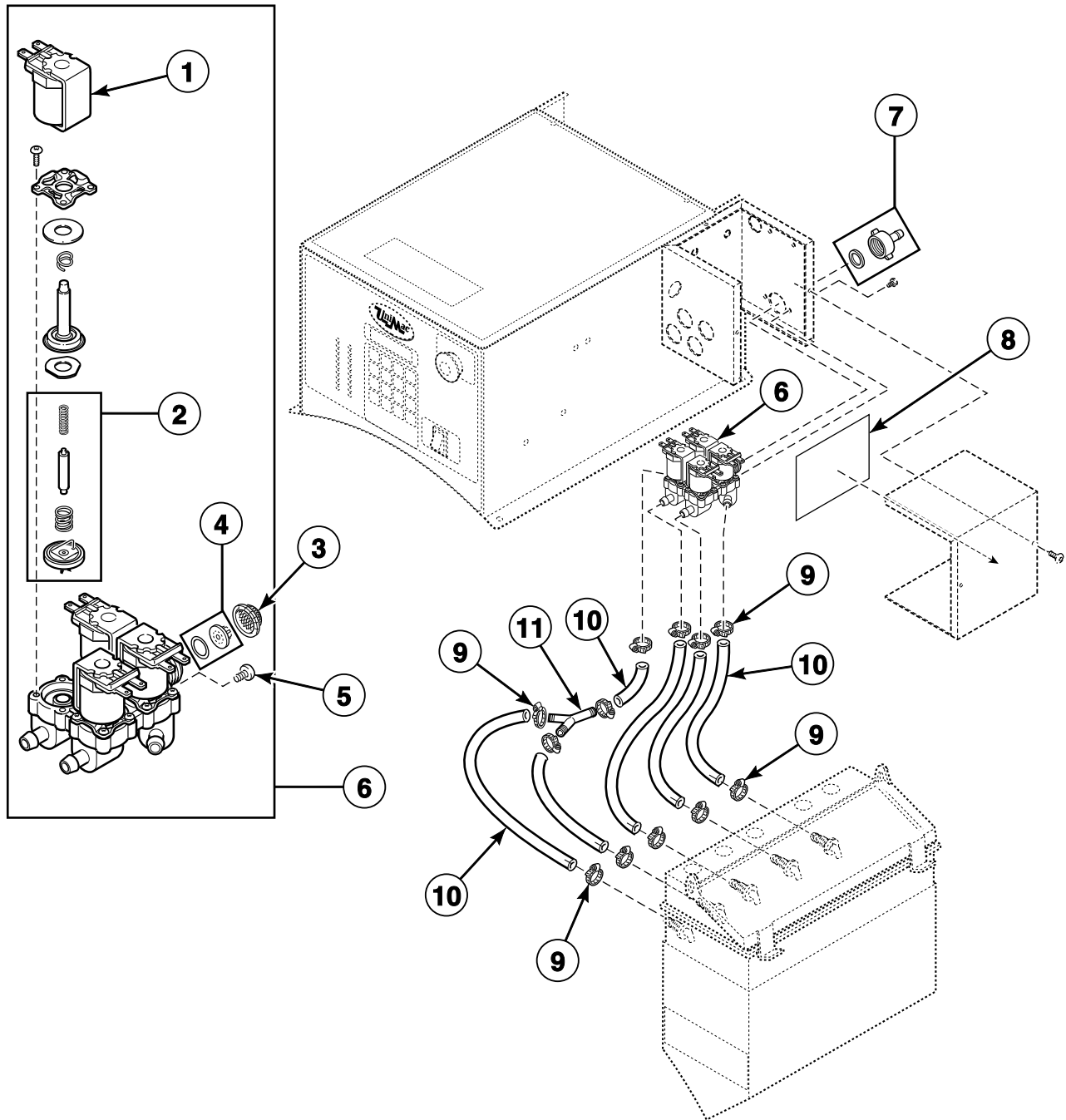


PHM3157P_F232150

Supply Dispenser

REF	PART NO.	DESCRIPTION	COMMENTS
1	F430917	Screw	
2	F8195301	Washer	
3	F0150514-00	Dispenser Lid	
4	F190304	Plug Cap	
5	F749802	Strain Relief Adapter Kit	Includes items 6 and 7
6	F140340P	Strain Relief Connector	Includes F0431160-00 Nut
7	F170215	O-Ring	
8	F150386	Chemical Supply Cup	32 ounce; 2 used
9	F0150525-00	Supply Dispenser Spacer	
10	F150385	Chemical Supply Cup	20 ounce; 3 used
11	F200213	Hose Clamp	No. 40
12	F150478	Chemical Supply Hose	
13	F431005	Nut	
14	F431100	Washer	
15	F431147	Washer	
16	F231436	Supply Dispenser Hazard Caution Decal	
17	F8024302	Soap Dispenser Shroud Weldment	
18	F170158P	Gasket	
19	F170400RP	Trim	
20	F0150512-00P	Dispenser Assembly	Includes items 3 and 8-10
21	F8322001	Injection Nozzle	
22	F170208	O-Ring	
23	802292	Nut	
24	F730168	Injection Nozzle Kit	Includes items 21-23

Water Supply Valve and Hoses to Supply Dispenser - Mueller Valve



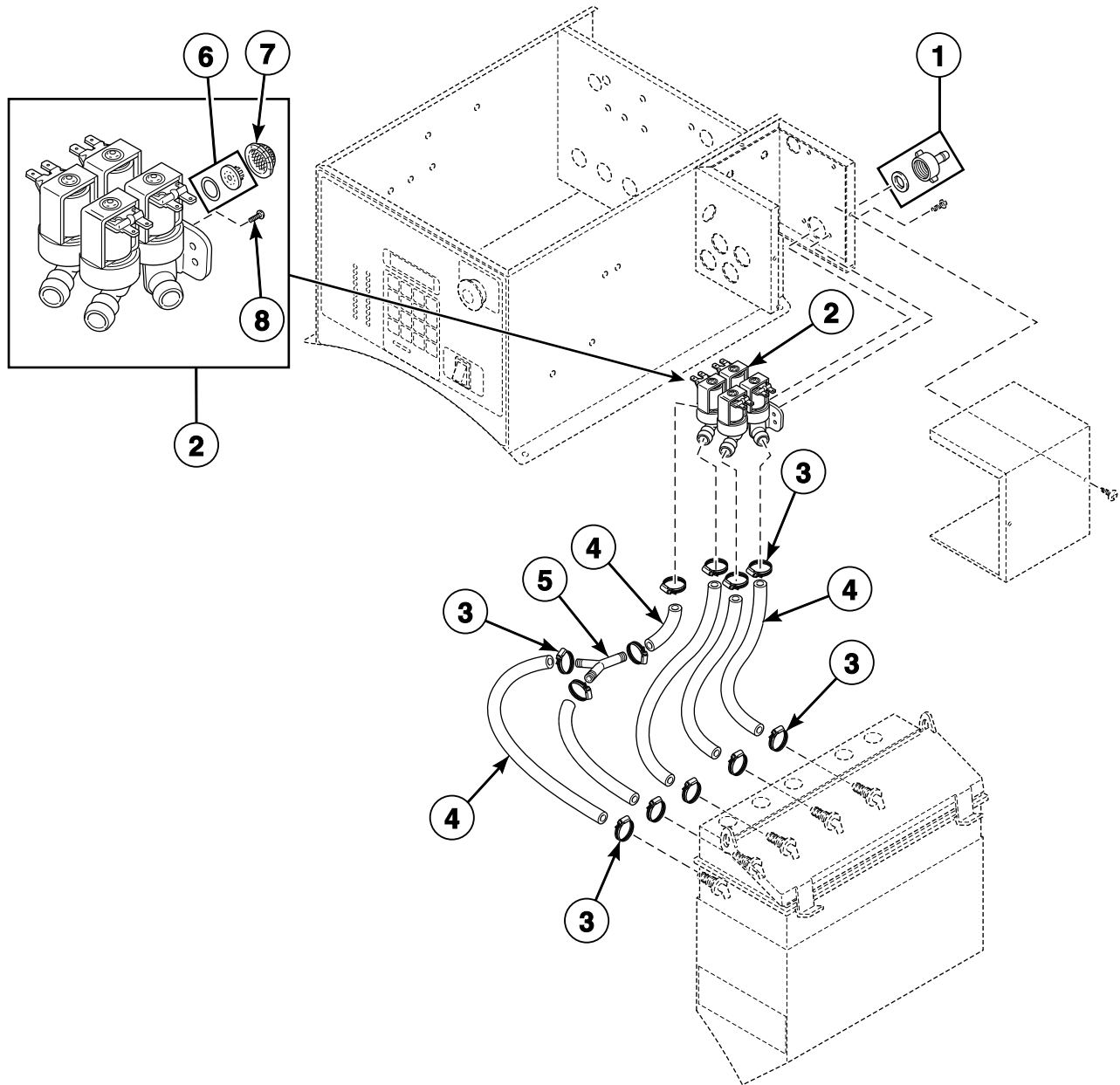
PHM1236P_F232150

Water Supply Valve and Hoses to Supply Dispenser - Mueller Valve

REF	PART NO.	DESCRIPTION	COMMENTS
1	F380900	Coil	120 Volt
	F380917	Coil	220 Volt
2	N/A	Valve Repair Kit	
3	F270200	Strainer	
4	N/A	Flow Restrictor	
5	F430948	Screw	
6	F380715P	4-Way Valve	120 Volt
	F380725P	4-Way Valve	220 Volt
7	F200302	Hose Connector	
8	F230754	Water Valve Assembly Decal	
9	36801	Hose Clamp	No. 6
10	F200110P	Water Hose	
11	F422816	Y Connector	

N/A = Part no longer available

Water Supply Valve and Hoses to Supply Dispenser - Elbi Valve



PHM2602P_F232150

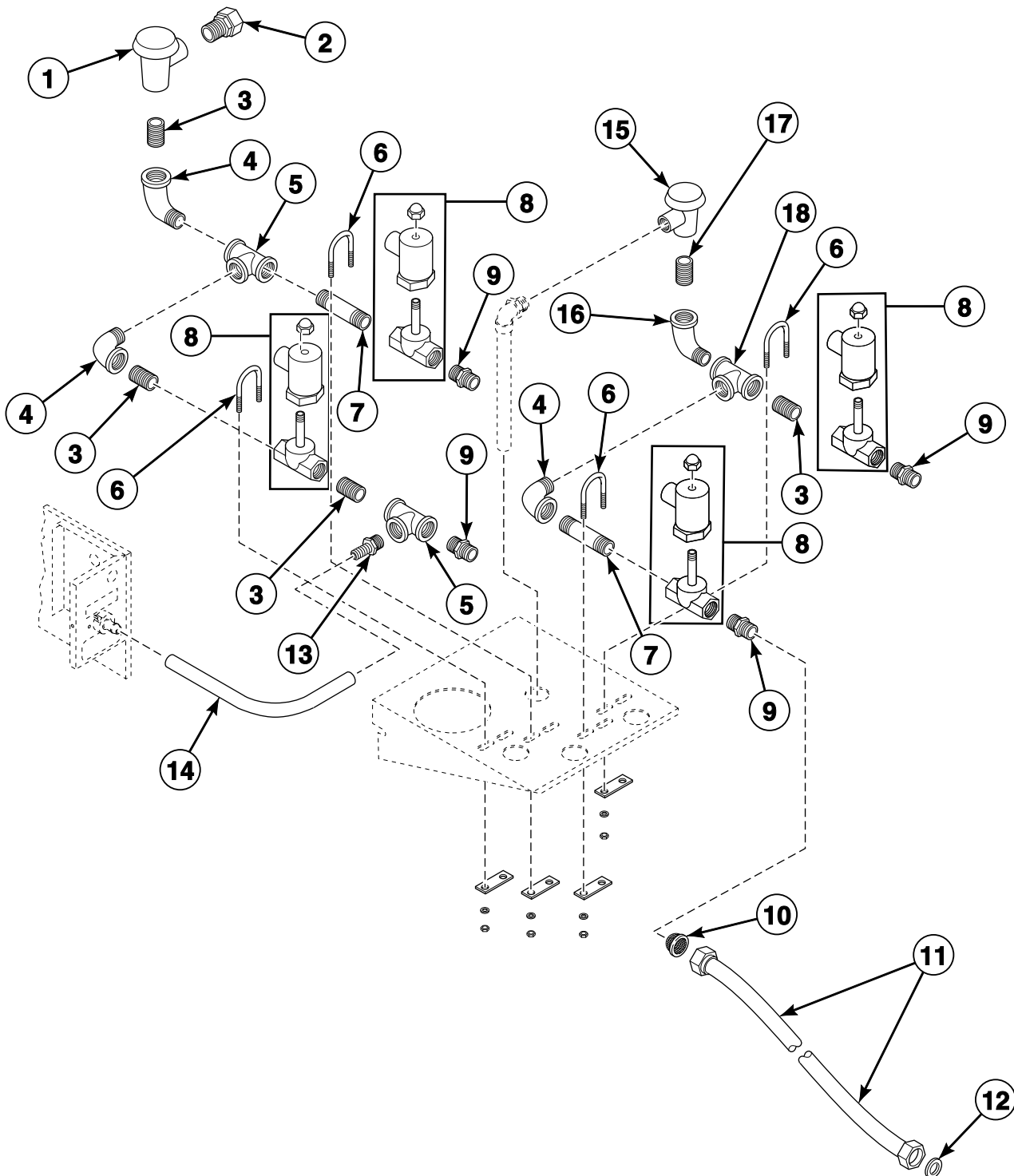
Water Supply Valve and Hoses to Supply Dispenser - Elbi Valve

REF	PART NO.	DESCRIPTION	COMMENTS
1	F200302	Hose Connector	
2	F381724P	4-Way Valve	120 Volt
	F381723P	4-Way Valve	220 Volt
	G582P3	Diaphragm and Guide Kit	
3	36801	Hose Clamp	No. 6
4	F200110P	Water Hose	
5	F422816	Y Connector	
6	N/A	Flow Restrictor	8 liter
7	F270200	Strainer	
8	F430948	Screw	

N/A = Part no longer available

Spray and Fill Plumbing

Hays Valve

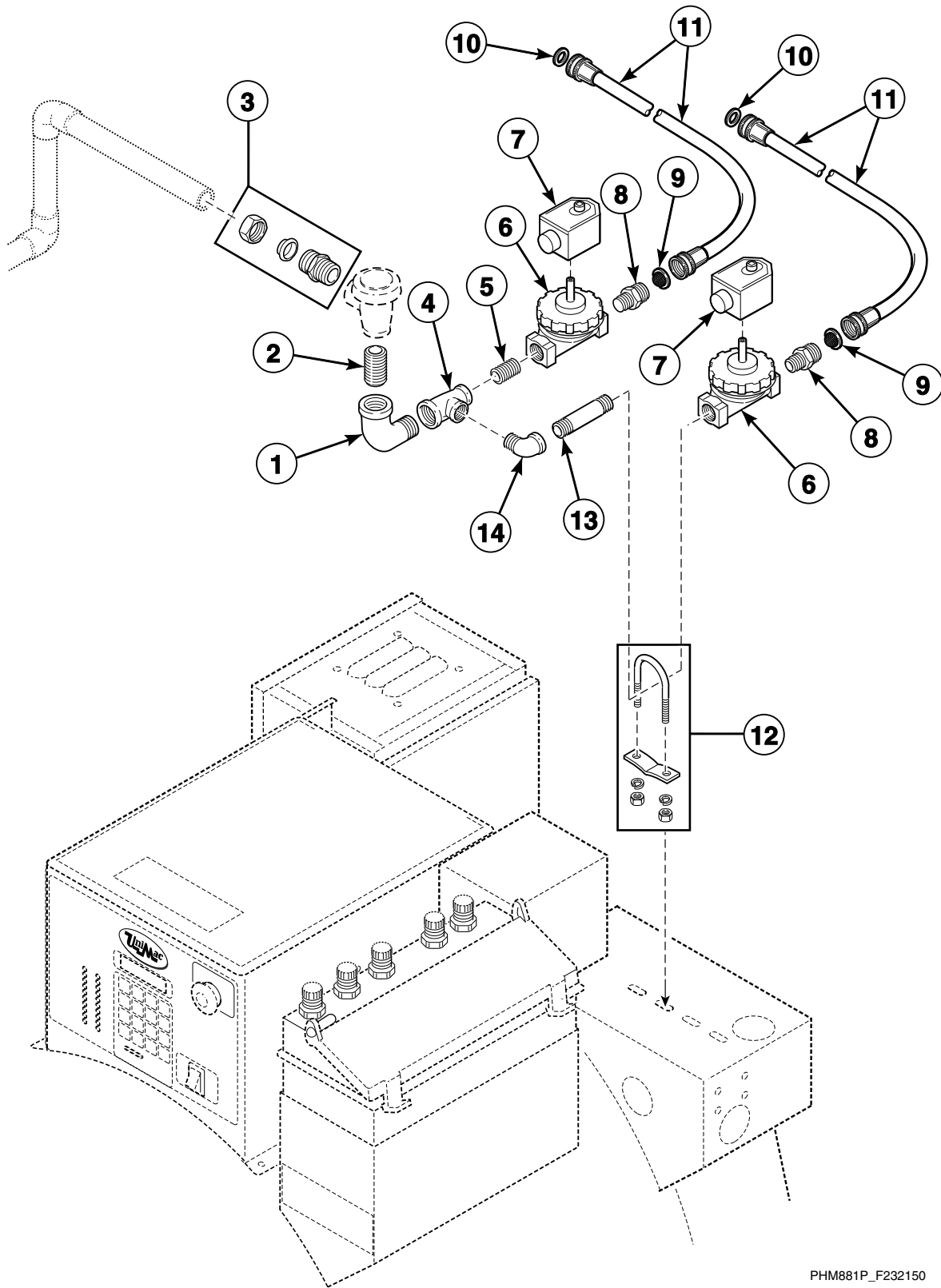


PHM886P_F232150

Spray and Fill Plumbing

REF	PART NO.	DESCRIPTION	COMMENTS
1	F380801P	Antisiphon Valve	
2	F422106	Tube Connector	
3	F420101	Nipple	
4	F420500	Street Elbow	
5	F420401	Tee	
6	F200401P	U-Bolt Clamp	Includes hardware
7	F420103	Nipple	
8	F380700P	Solenoid Valve	With DIN; 120 Volt; 1/2 inch
	F380901P	Coil	120 Volt; Round
	F380975	Coil	120 Volt; Rectangular; Plug type
	F380701P	Solenoid Valve	220 Volt; 1/2 inch
	F380780P	Valve	With DIN; 220 Volt; 1/2 inch
	F380902P	Coil	220 Volt; Round
	F380976	Coil	220 Volt; Rectangular; Plug type
	F380914P	Repair Kit	1/2 inch
9	F421908	Hose Adapter	
10	803615	Washer	
11	F200164	Water Hose	
12	20290	Washer	
13	F421930	Hose Barb	
14	F200199P	Water Hose	
15	F380800P	Vacuum Breaker Valve	3/4 inch
16	F420502	Street Elbow	
17	F420105	Nipple	
18	F420401	Tee	

Spray Plumbing

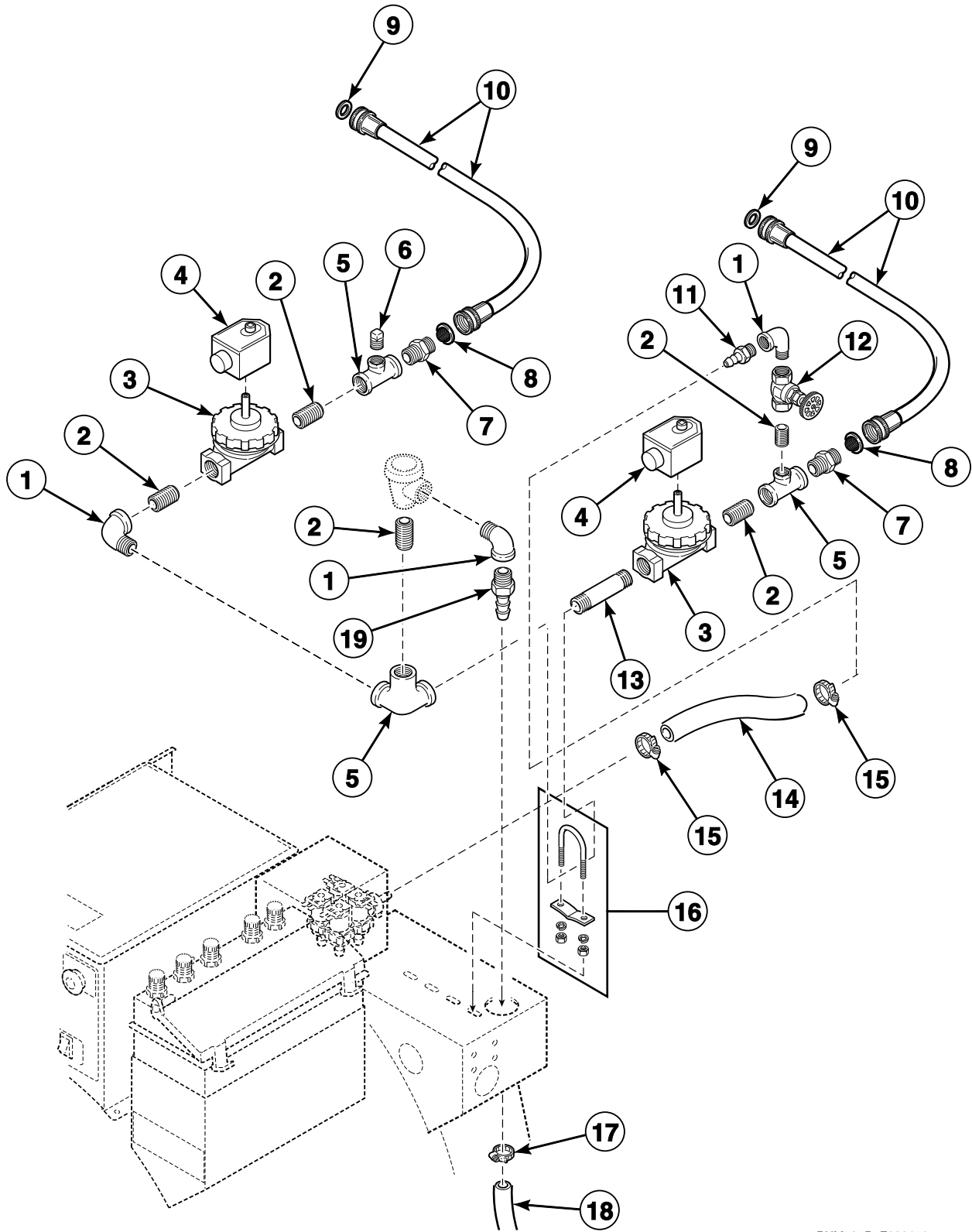


PHM881P_F232150

Spray Plumbing

REF	PART NO.	DESCRIPTION	COMMENTS
1	F420502	Street Elbow	
2	F420105	Nipple	
3	F422106	Tube Connector	
4	F420401	Tee	
5	F420101	Nipple	
6	F381702P	Valve	120 Volt; With DIN
	F381703P	Valve	220 Volt; With DIN
	F141901P	DIN Harness Assembly	
	F380993P	Valve Repair Kit	
7	F380986P	DIN Coil	120 Volt
	F380987P	DIN Coil	220 Volt
8	F421908	Hose Adapter	Standard thread
	F421949	Nipple	Metric thread
9	803615	Washer	
10	20290	Washer	
11	F200164	Water Hose	Standard thread
	F200166	Water Hose	Metric thread
12	F200401P	U-Bolt Clamp	Includes hardware
13	F420103	Nipple	
14	F420500	Street Elbow	

Fill Plumbing

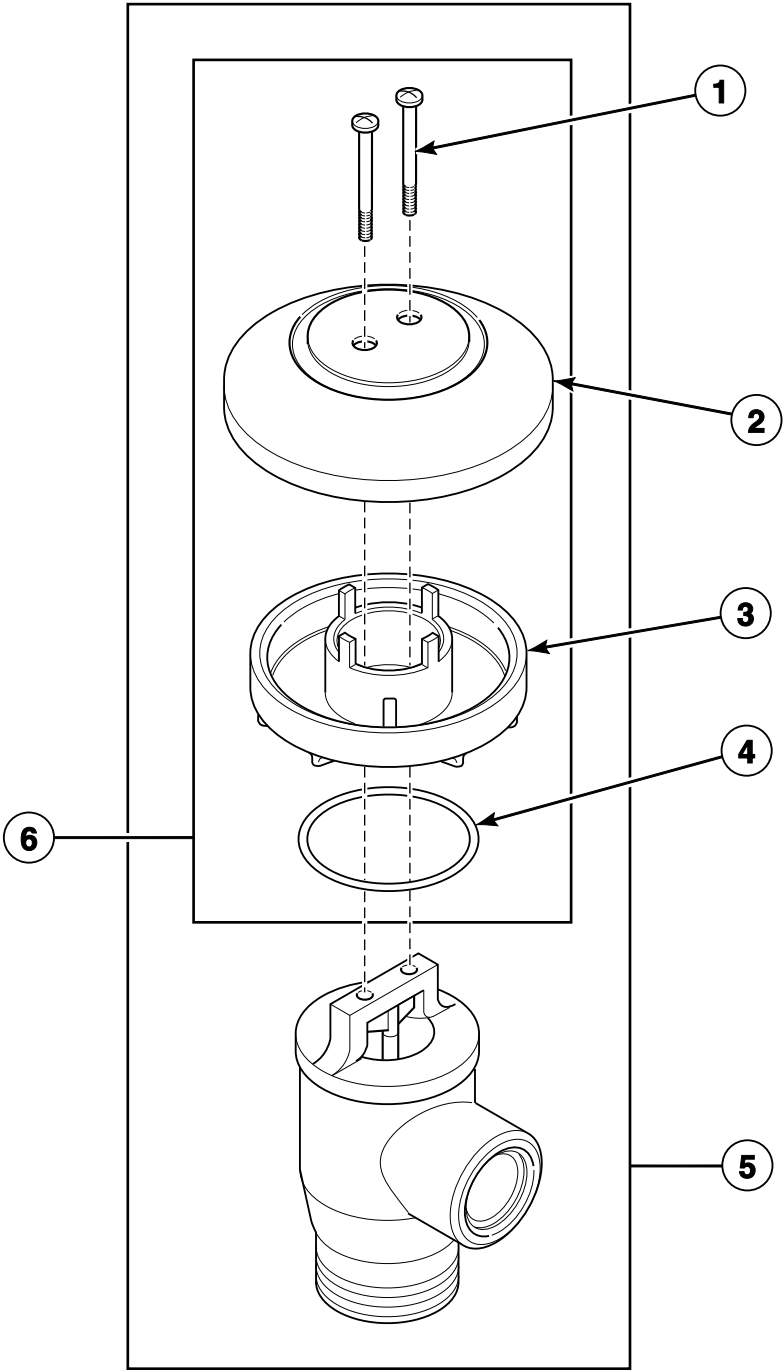


PHM597P_F232150

Fill Plumbing

REF	PART NO.	DESCRIPTION	COMMENTS
1	F420500	Street Elbow	
2	F420101	Nipple	
3	F381702P	Valve	120 Volt
	F381703P	Valve	220 Volt
	F141901P	DIN Harness Assembly	
	F380993P	Valve Repair Kit	
4	F380986P	DIN Coil	120 Volt
	F380987P	DIN Coil	220 Volt
5	F420400	Tee	
6	F420408	Plug	
7	F421908	Hose Adapter	Standard thread
	F421949	Nipple	Metric thread
8	803615	Washer	
9	20290	Washer	
10	F200164	Water Hose	Standard thread
	F200166	Water Hose	Metric thread
11	F421951	Hose Barb	
12	F380500	Gate Valve	
13	F420103	Nipple	
14	F200108P	Water Hose	
15	F200206	Hose Clamp	No. 4
16	F200401P	U-Bolt Clamp	Includes hardware
17	F200222	Hose Clamp	No. 12
18	F200111P	Water Hose	
19	F421930	Hose Barb	

Vacuum Breaker Assembly with Leak Containment Kit

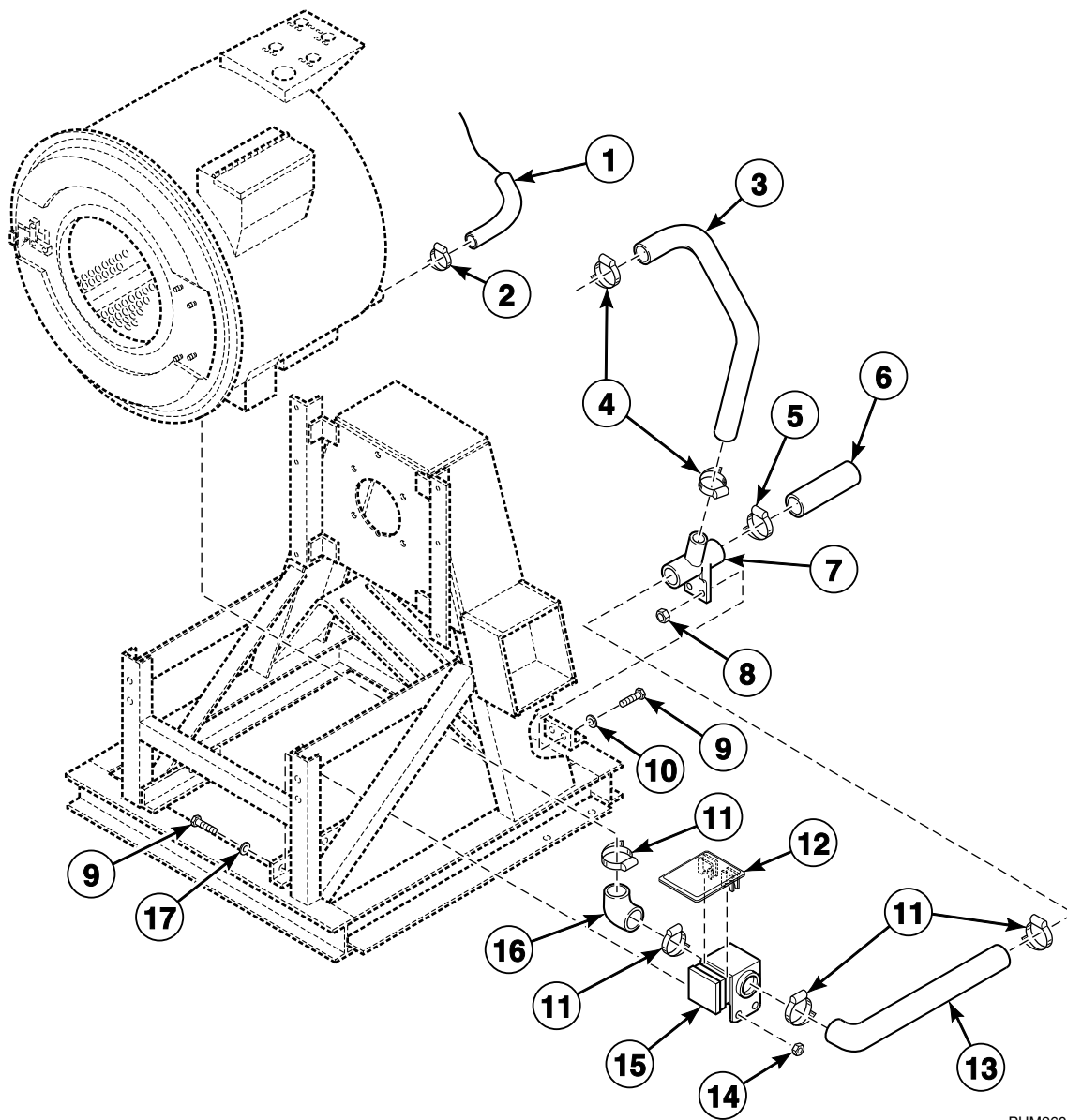


PHM2208P_F232150

Vacuum Breaker Assembly with Leak Containment Kit

REF	PART NO.	DESCRIPTION	COMMENTS
1	F430938	Screw	
2	F0380808-00	Vacuum Breaker Cap	
3	F0380809-00	Containment Device	
4	F0170221-00	O-Ring	
5	F063754701P	Vacuum Breaker Valve	3/4 inch; F380965 Repair Kit; Includes item 6
6	F0798922-00	Vacuum Breaker Kit	Includes items 1-4

Drain Valve and Hoses

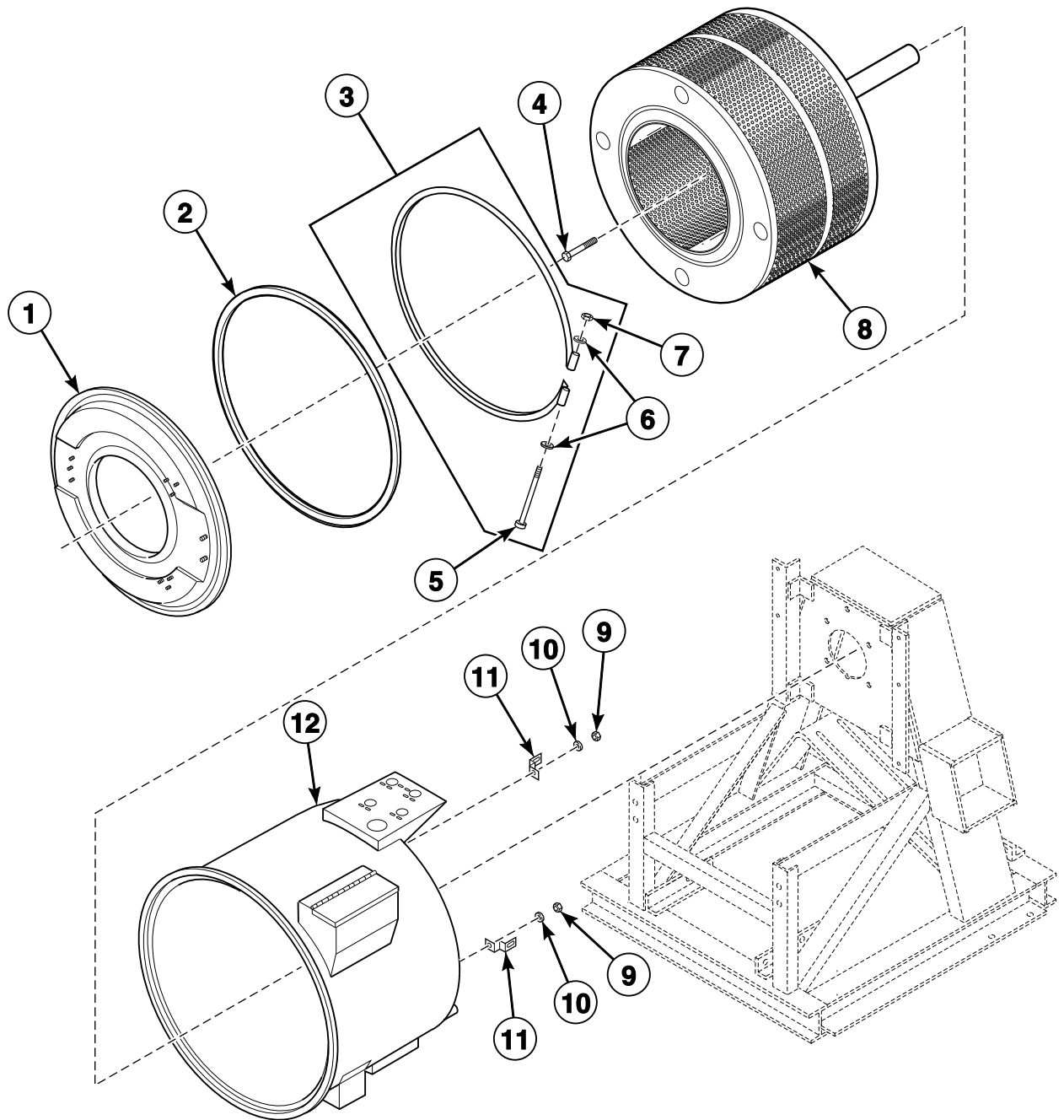


PHM2603P_F232150

Drain Valve and Hoses

REF	PART NO.	DESCRIPTION	COMMENTS
1	F020014200	Air Trap Hose	
2	F200205	Hose Clamp	No. 10
3	F150353	Overflow Hose	
4	F200215	Hose Clamp	No. 28
5	F150311	Rear Drain Hose	
6	F200201	Hose Clamp	No. 56
7	F8017101	Drain Connector Tee	
8	F431005	Nut	
9	F430103	Screw	
10	F431147	Washer	
11	F200213	Hose Clamp	No. 40
12	F200133600	Drain Valve Cover	
13	F0150331-00	Drain Hose	Rear
14	F430211	Nut	
15	803293	Drain Valve	120 Volt
	803292	Gravity Drain Valve	220 Volt
	F380918	Main Drive Kit	
16	F8105901	Drain Hose	
17	M400014	Washer	

Basket and Shell



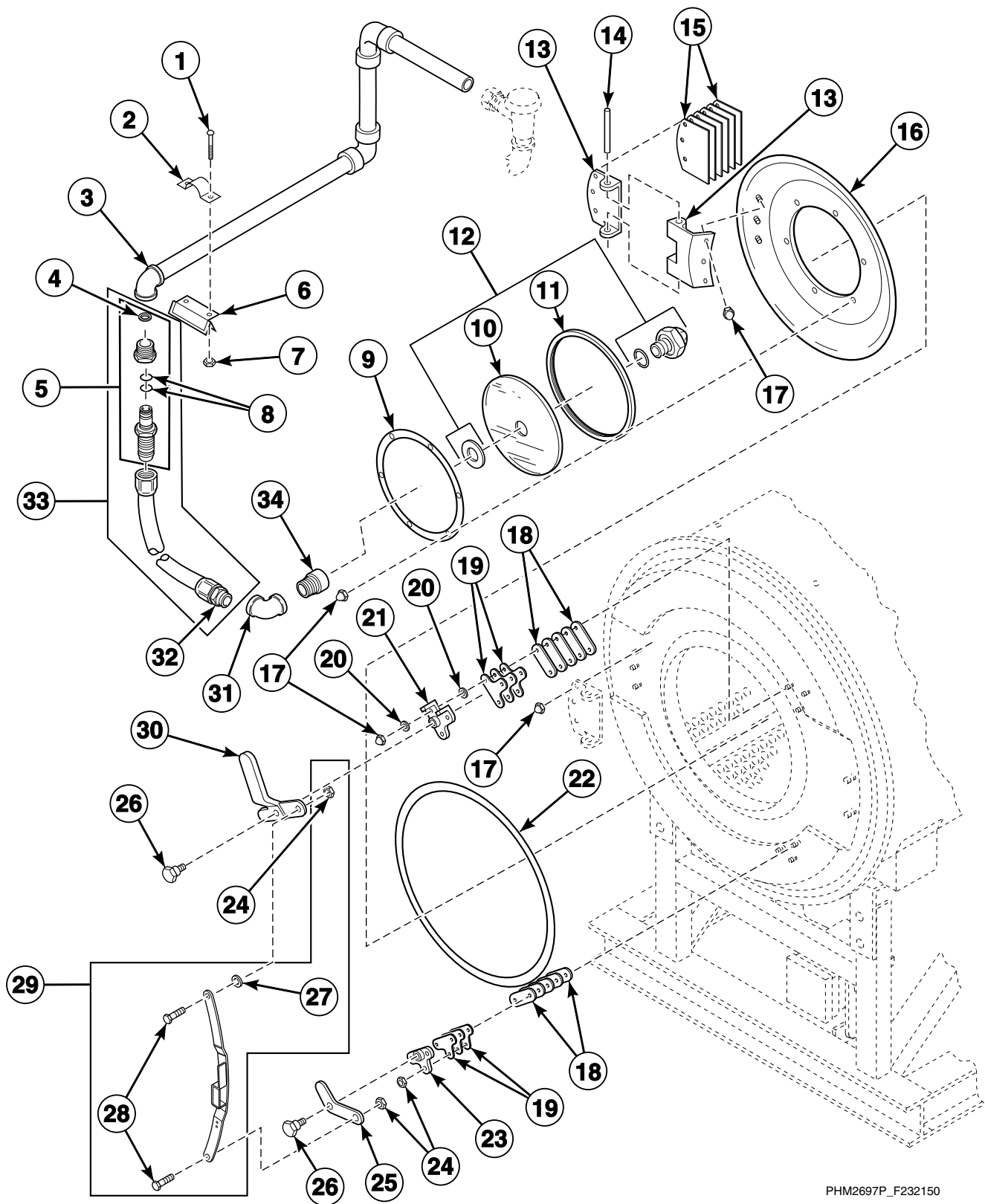
PHM2516P_F232150

Basket and Shell

REF	PART NO.	DESCRIPTION	COMMENTS
1	F200119800	Shell Front Assembly	Includes shell front weldment, door bumper moulding, decal, door latch bracket shim, top latch bracket casting, lower door latch bracket casting, door butt, door bumper bushing, door butt shim and door bracket latch shim
	F741301-01	Shell Front Kit	Includes F200085000 Hot Surface Warning Decal
2	F200001600P	Shell Band Gasket	
3	F741701	Shell Band Kit	Includes items 5-7
4	F430992	Screw	
5	F430500	Screw	
6	F430317	Washer	
7	F430215	Nut	
8	F604377	Basket Assembly	
9	F430205	Nut	
10	M400081	Washer	
11	F601806	Shell Mounting Bracket	
12	F604458	Shell Assembly	Design 1-3; Standard
	N/A	Shell Weldment	Design 4; Large sump and side mount plumbing
	F633720-1	Shell Weldment	Models with electric heat

N/A = Part no longer available

Door and Spray Rinse

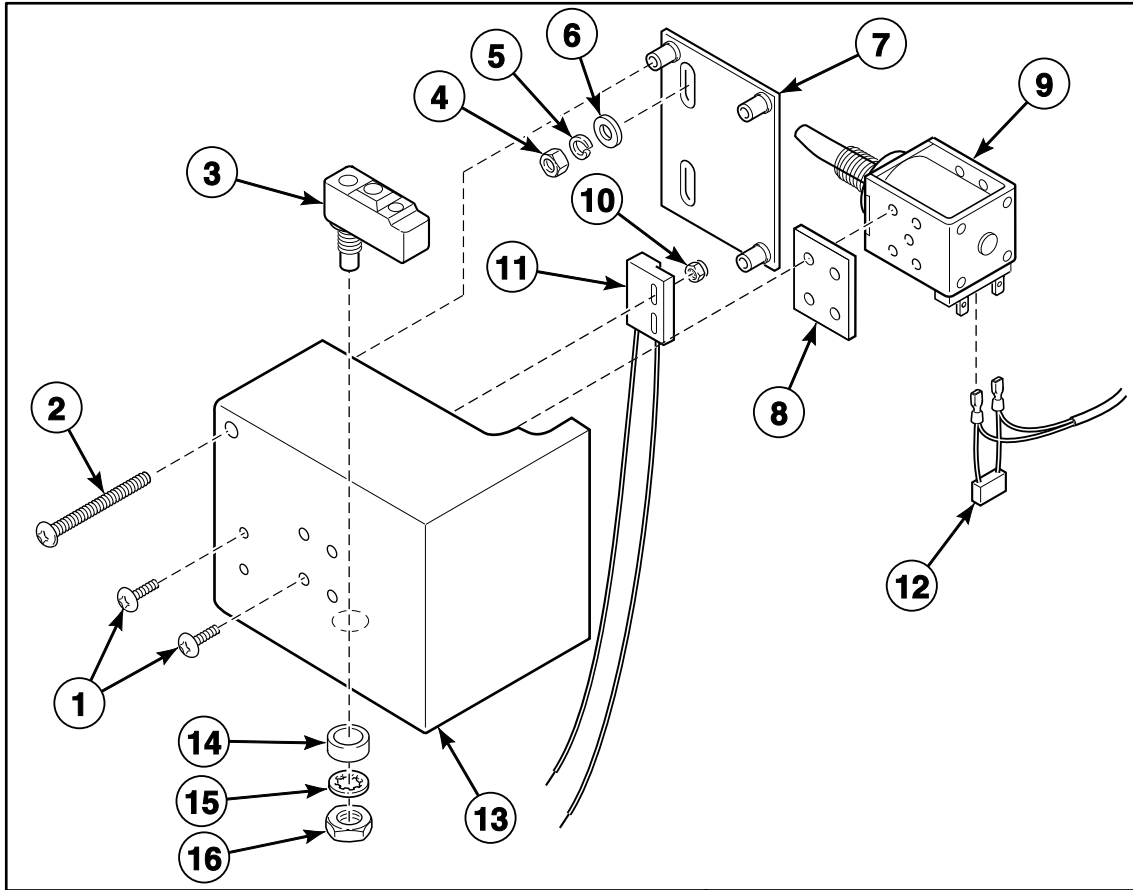


PHM2697P_F232150

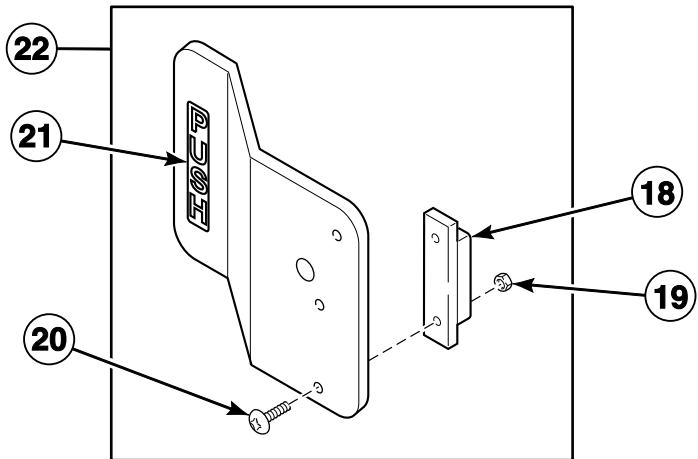
Door and Spray Rinse

REF	PART NO.	DESCRIPTION	COMMENTS
1	F430917	Screw	
2	F602880	Spray Rinse Strap	
3	F603696-7	Spray Rinse Tube Assembly	
4	F310206	Ring Retainer	
5	F422108	Swivel Coupling	Includes items 4 and 8
6	F602901P	Spray Rinse Bracket Assembly	Includes items 1 and 7
7	F431022	Nut	
8	F170200	O-Ring	
9	F320100	Retainer Ring Spinning	
10	F290202P	Glass Kit	
11	F170112	Door Glass Gasket	
12	F730077	Spray Rinse Nozzle Kit	
13	F200030600	Door Hinge Strap	
14	F601815	Door Hinge Pin	
15	F0610695-00	Door Butt Shim	
16	F200119500P	Door Assembly	Includes items 9-11, 13, 22, door spinning, magnetic position magnet and F605638 Push Handle Assembly
	F630315	Stud Weldment	
17	F431026	Nut	
18	F631989	Door Bracket Latch Shim	
19	F602058	Door Latch Bracket Shim	
20	F431100	Washer	
21	F150201P	Top Latch Bracket Casting	
22	F017014301	Door Gasket	
23	F150202	Lower Door Latch Bracket Casting	
24	F431002	Nut	
25	F150204	Lower Door Latch Casting	
26	F430168	Screw	
27	F431118	Washer	
28	F430927	Screw	
29	F746800	Extension Arm Kit	Includes items 24, 27 and 28
30	F150203	Door Handle Casting	
31	F422319	Elbow	
32	F422109	No-Swivel Coupling	
33	F730025	Spray Rinse Hose Kit	Includes items 4, 5, 8 and 32
34	F421938	Extension	

Door Box



17

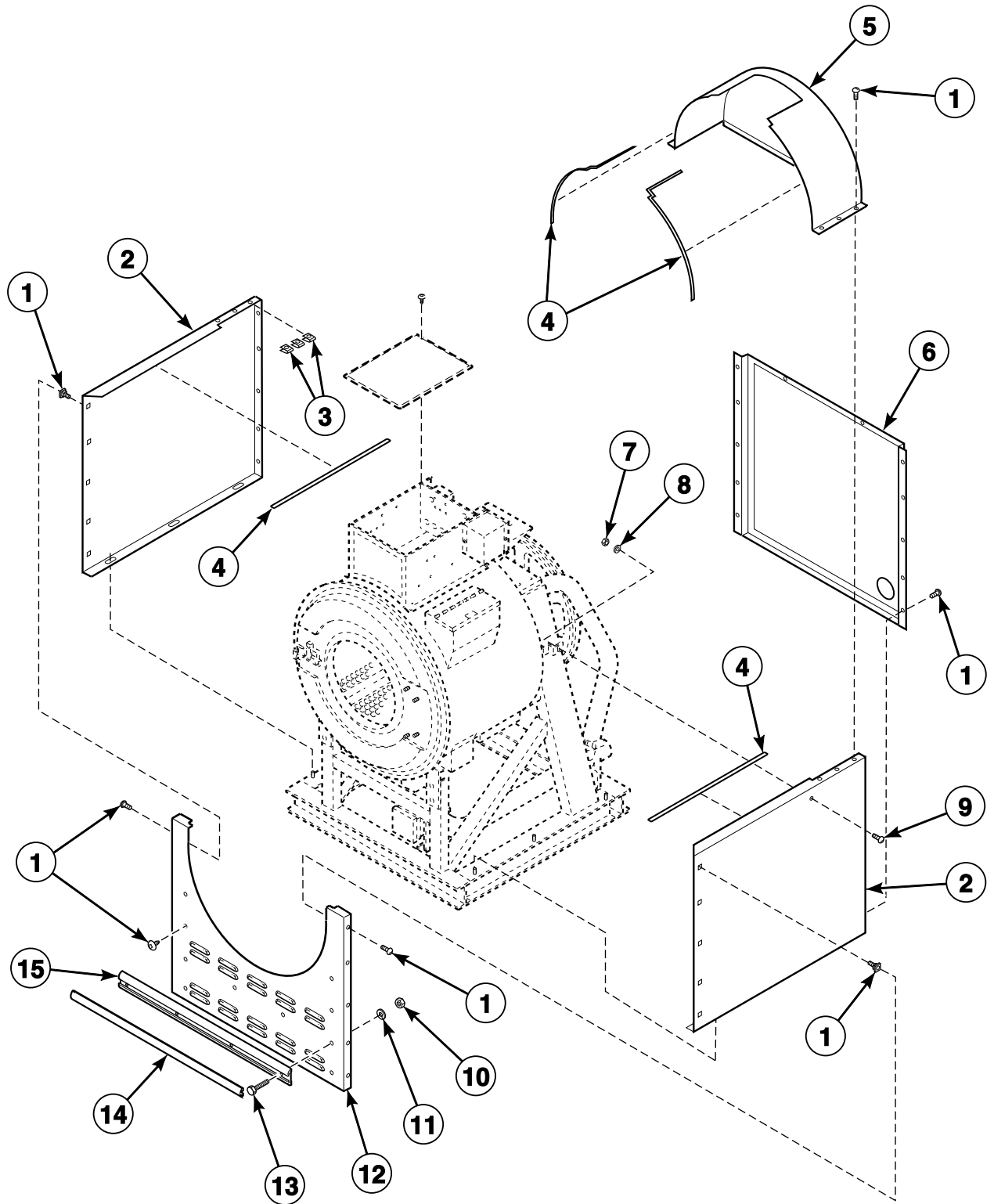


PHM2053P_F232150

Door Box

REF	PART NO.	DESCRIPTION	COMMENTS
1	F430917	Screw	
2	F430996	Screw	
3	F340900	Interlock Switch	
4	F430215	Nut	
5	F431100	Washer	
6	F431142	Washer	
7	F605525	Door Box Mounting Plate Assembly	
8	F609728	Solenoid Spacer	
9	F300118P	Door Lock Solenoid	120 Volt
	F300129P	Door Lock Solenoid	220 Volt
10	F430231	Nut	
11	F200321200	Magnetic Switch Assembly	
12	F330217P	RC Network Filter	Includes F140627 Connector and F141022 Connector
13	F0605466-00	Door Box	
14	F601055	Interlock Switch Spacer	
15	F431104	Washer	
16	F431021	Nut	
17	F603695	Door Box Assembly	120 Volt; Includes items 1-16
	F604191	Door Box Assembly	220 Volt; Includes items 1-16
18	F8390801	Magnet	
19	F430232	Nut	
20	F430909	Screw	
21	F230303	Push Decal	
22	F746201-1	Push Handle Kit	Includes items 18-21

Panels



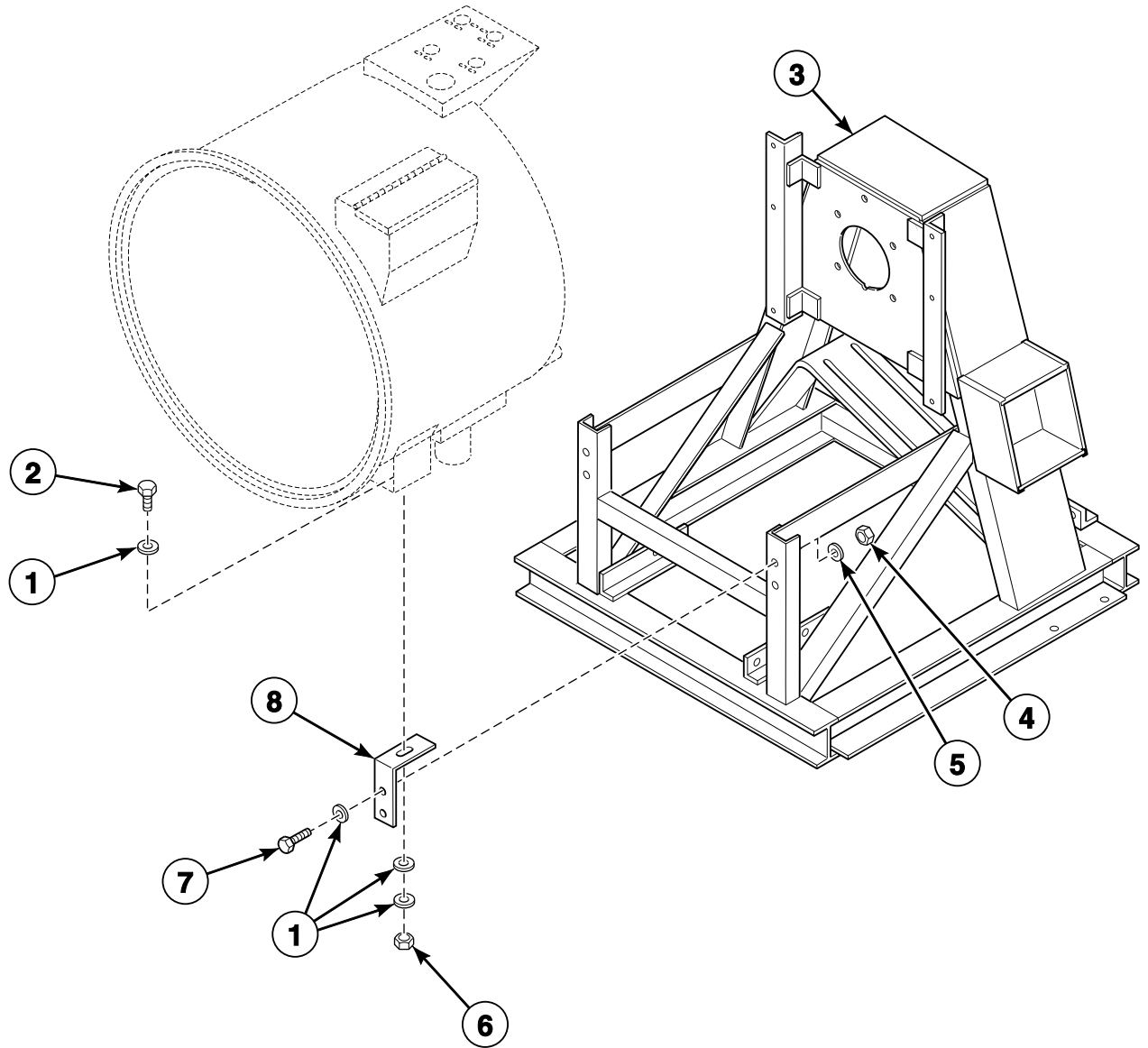
PHM614P_F232150

Panels

REF	PART NO.	DESCRIPTION	COMMENTS
1	F430956	Screw	
2	F631470	Side Panel	Reversible
3	F430264	Nut	
4	F170401P	Gasket	
5	N/A	Cage Wrap Assembly	Design 1-3
	F633743	Cage Wrap Assembly	Design 4
6	F630383	Rear Panel	Galvanized
7	F430215	Nut	
8	F430317	Washer	
9	F432234	Screw	
10	F430211	Nut	
11	F431100	Washer	
12	F630356	Front Panel	
13	F430921	Screw	
14	F150397	Extrusion Insert	Order 3 feet
15	F150407	Rub Rail	

N/A = Part no longer available

Frame

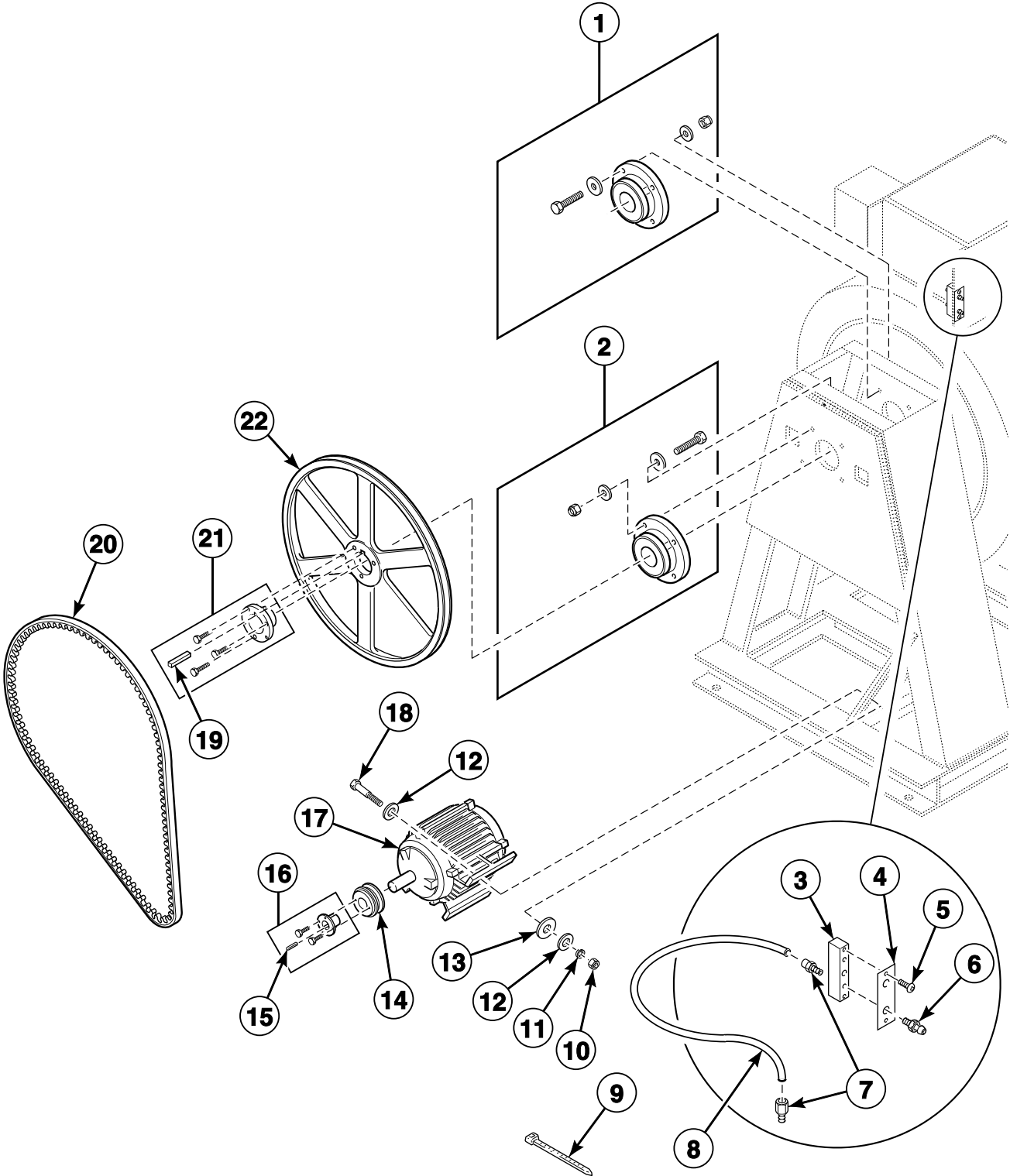


PHM2272P_F232150

Frame

REF	PART NO.	DESCRIPTION	COMMENTS
1	M400081	Washer	
2	F430116	Screw	
3	F633757	Frame Weldment	
4	70142	Nut	
5	M400014	Washer	
6	F430205	Nut	
7	F430924	Screw	
8	F601806	Shell Mounting Bracket	

Motor and Pulley

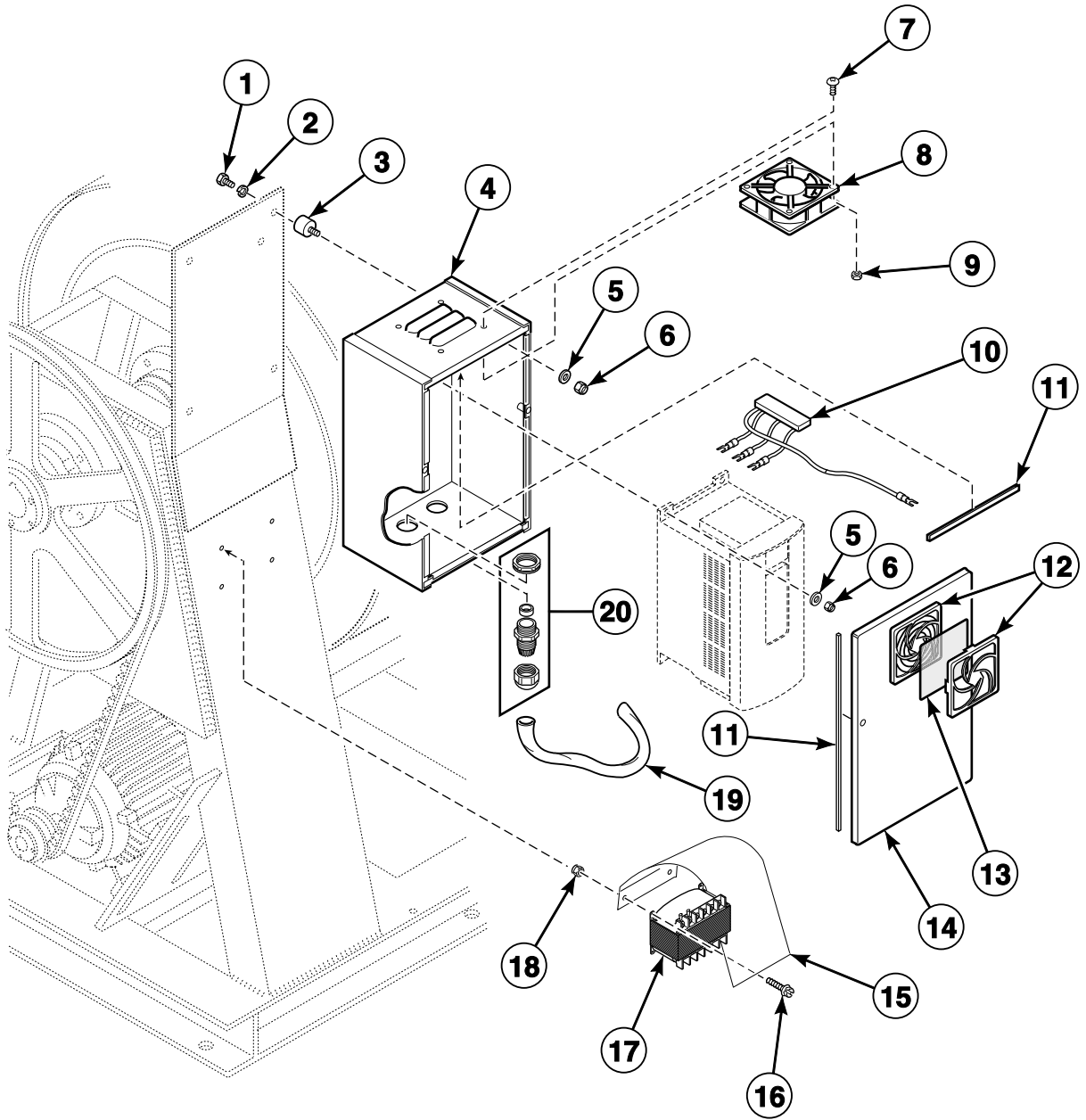


U067PE3B_F232150

Motor and Pulley

REF	PART NO.	DESCRIPTION	COMMENTS
	F745401	Manual Bearing Greasing Retrofit Kit	Includes items 4 and 6-8, F630433 Grease Manifold Bracket, F320326 Grease Manifold, F430211 Nut, F430322 Washer, F430923 Screw, F430925 Screw and F431024 Nut
1	F798824-00	Front Bearing Kit	Includes F010029701 Face Seal, F100203 Slinger, F170120RP Shell Band Gasket, F410102 Sealant, F430137 Screw, F430201 Nut, F430211 Nut, F430317 Washer, F430325 Washer, F430500 Screw, F430935 Screw, F431005 Nut, F431100 Washer, F431112 Washer, F431210 Pop Rivet and F7048530 Key
	F8162101	Face Seal	
	F798819-00	Seal Kit	Includes F010029701P Face Seal, F100203 Slinger, F170120RP Shell Band Gasket, F410102 Sealant, F430211 Nut, F430317 Washer, F430500 Screw, F430935 Screw, F431005 Nut, F431100 Washer, F431112 Washer and F431210 Rivet
2	F745010	Rear Bearing Kit	Includes F430136 Screw, F704854 Key, F430200 Nut and F430327 Washer
3	F320326	Grease Manifold	
4	F230745	Lubrication Instruction Decal	
5	F430916	Screw	
6	F190701	Grease Fitting	
7	J1408004	Connector	
8	C000628P	Tubing	
9	F140605	Cable Tie	
10	F430205	Nut	
11	M400014	Washer	
12	M400081	Washer	
13	F430300	Washer	
14	F280146P	Pulley	BK34H; 1 groove; 3.55 inch OD
15	F430802	Key	
16	F280297	Pulley Bushing	SH 1 1/8 Maska; Includes screws and item 15
	F280211P	Motor Pulley Bushing	H 1 1/8; Includes screws and item 15
17	F220215U	Motor	U.S.; F100124 Motor Bearing (6205-2Z) and F220897 Motor Bearing (6206Z); AC drive parameters must be compatible with the motor and motor pulley. Please request the AC drive parameter illustration for parameter verification when ordering a motor.
	F220215M	Motor	Magnetek; AC drive parameters must be compatible with the motor and motor pulley. Please request the AC drive parameter illustration for parameter verification when ordering a motor.
18	F430993	Screw	
19	F430801	Key	
20	F280354	Belt	B86
21	F280213	Bushing	Q1:2 7/16; Includes screws and item 19
	F280409P	Bushing	SK2 7/16 Maska; Includes screws and item 19
22	F280410	Pulley	1B255K

AC Drive (Drawing 1 of 5)

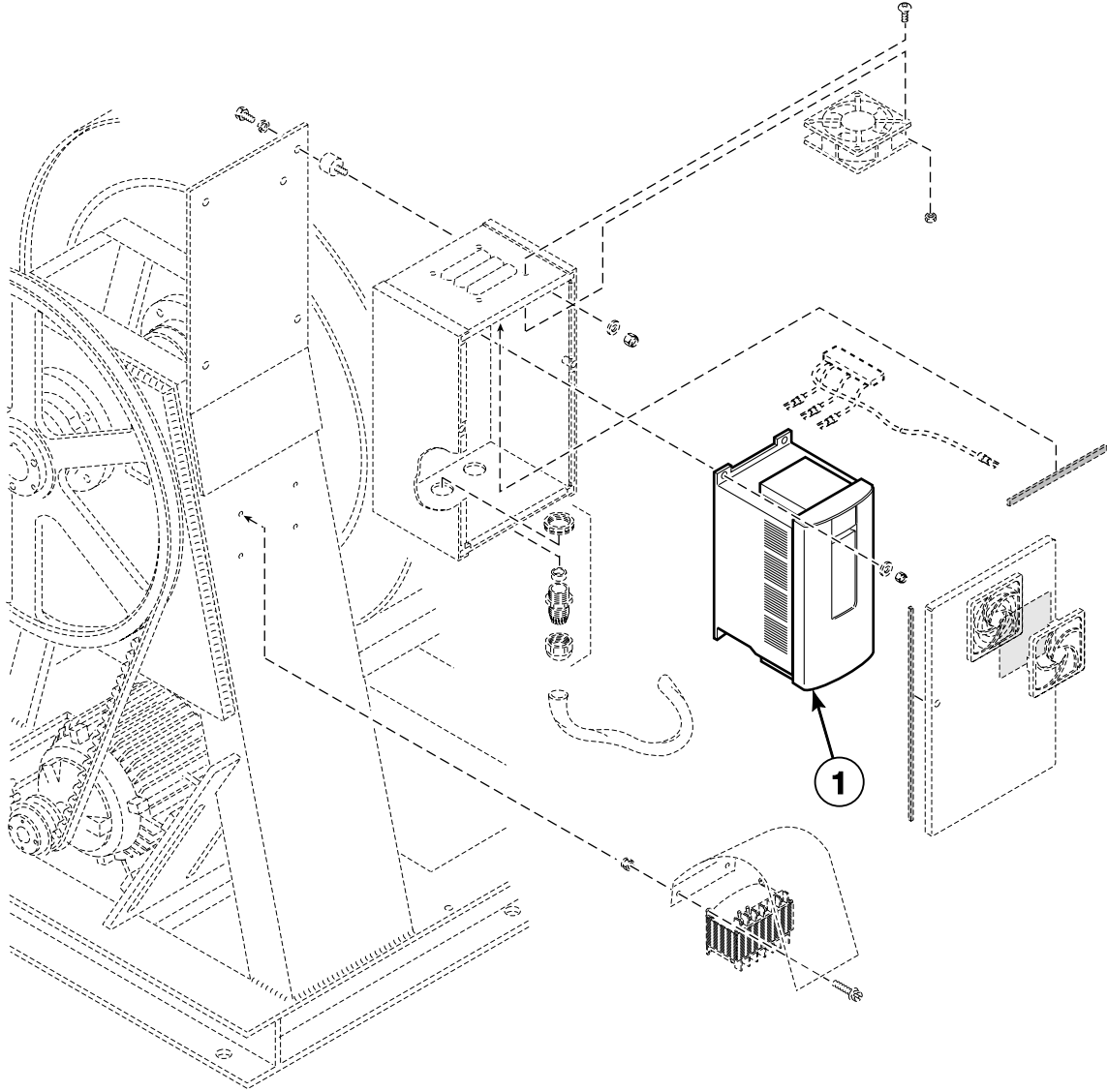


PHM2676P_F232150

AC Drive (Drawing 1 of 5)

REF	PART NO.	DESCRIPTION	COMMENTS
1	201415	Screw	
2	F431102	Washer	
3	F432219	Sandwich Mount	
4	F633401	AC Drive Box Weldment	
5	F431100	Washer	
6	F431022	Nut	
7	F430916	Screw	
8	F110106	Muffin Fan	120 Volt
	F110105	Muffin Fan	220 Volt
9	F430231	Nut	
10	F200320900	AC Drive Radio Filter Assembly	
11	F200001600P	Shell Band Gasket	
12	F220900	Filter Retainer Guard	
13	F200318900P	Filter	
14	F633382	AC Drive Box Cover	
15	F140425	Control Transformer Cover	
16	F430935	Screw	
17	C000203	Transformer	
18	F430215	Nut	
19	F140905	Tubing	Order 6 feet
20	F140309	Connector	

AC Drive (Drawing 2 of 5)



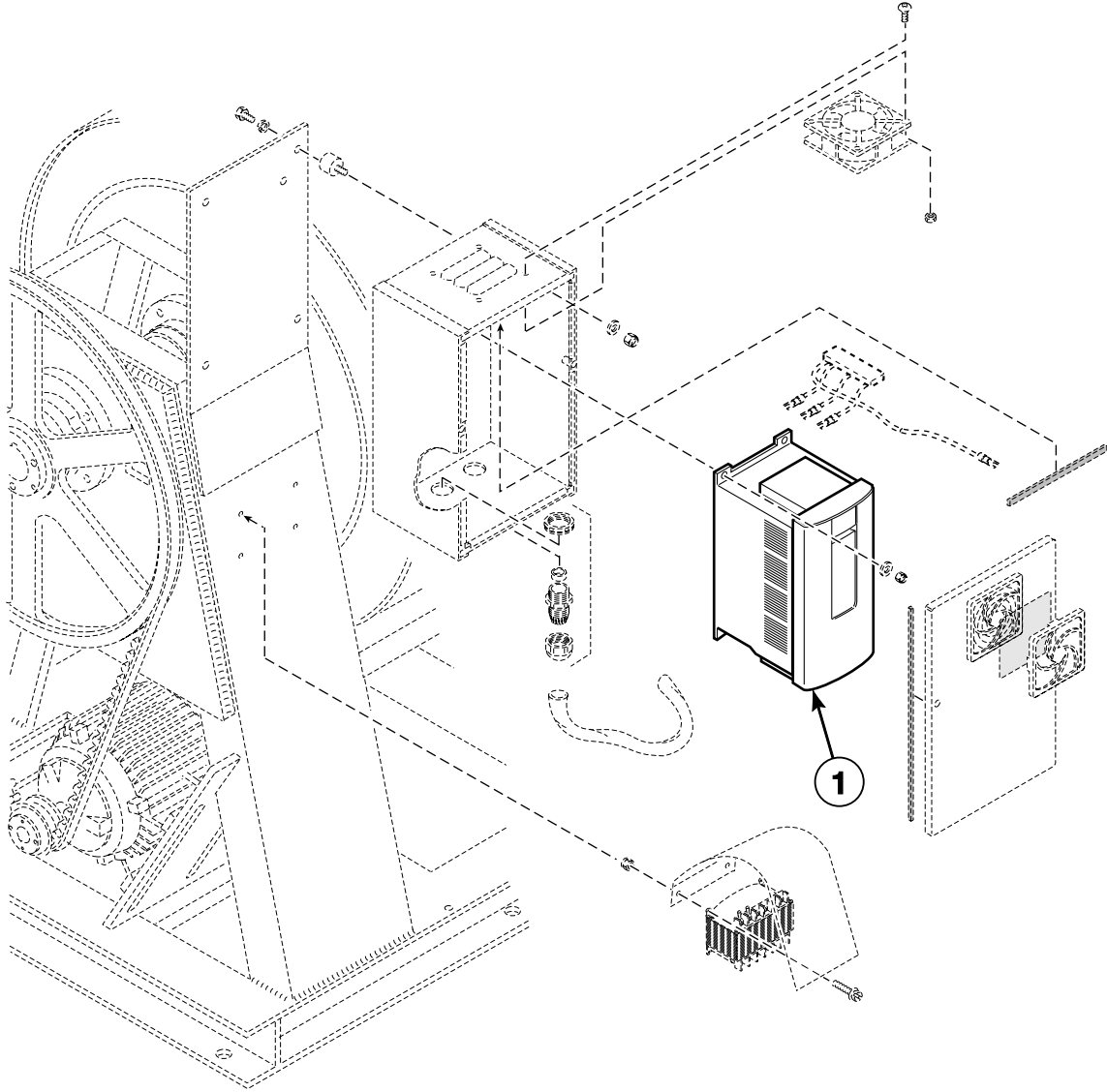
PHM2677P_F232150

AC Drive (Drawing 2 of 5)

REF	PART NO.	DESCRIPTION	COMMENTS
1	F0370843-787	160-Series AC Drive Kit	T-voltage models that have previously been updated from the 1305-series drive to the 160-series drive using F0798779-10 1305 to 160-Series AC Drive Retrofit Kit; Used with F0220439-00 Motor (Motor manufacturer Part No. F-392446-60)
	F0370843-784	160-Series AC Drive Kit	T-voltage; Replaces F370843 Inverter Drive; Used with F220215M Motor (Motor manufacturer Part No. F-391719-61)
	F0370843-785	160-Series AC Drive Kit	T-voltage; Replaces F370843 Inverter Drive; Used with F0220242-00 Motor (Motor manufacturer Part No. 9-392281-60)
	F0370843-806	160-Series AC Drive Kit	T-voltage; Replaces F370843 Inverter Drive; Used with F220215U Motor (Motor manufacturer Part No. G63653)
	F0370857-786	160-Series AC Drive Kit	Q-voltage models that have previously been updated from the 1305-series drive to the 160-series drive using F0798777-10 or F0798781-10 1305 to 160-Series AC Drive Retrofit Kit; Used with F0220439-00 Motor (Motor manufacturer Part No. F-392446-60)
	F0370857-777	160-Series AC Drive Kit	Q-voltage; Replaces F370857 Inverter Drive; Used with F220215M Motor (Motor manufacturer Part No. F-391719-61)
	F0370857-778	160-Series AC Drive Kit	Q-voltage; Replaces F370857 Inverter Drive; Used with F0220439-00 Motor (Motor manufacturer Part No. 9-392281-60)
	F0370857-805	160-Series AC Drive Kit	Q-voltage; Replaces F370857 Inverter Drive; Used with F220215U Motor (Motor manufacturer Part No. G63653)

NOTE: Refer to the *Motor Manufacturer Part No. Location on the Motor's Nameplate* section for information on motor manufacturer part no. location.

AC Drive (Drawing 3 of 5)



PHM2677P_F232150

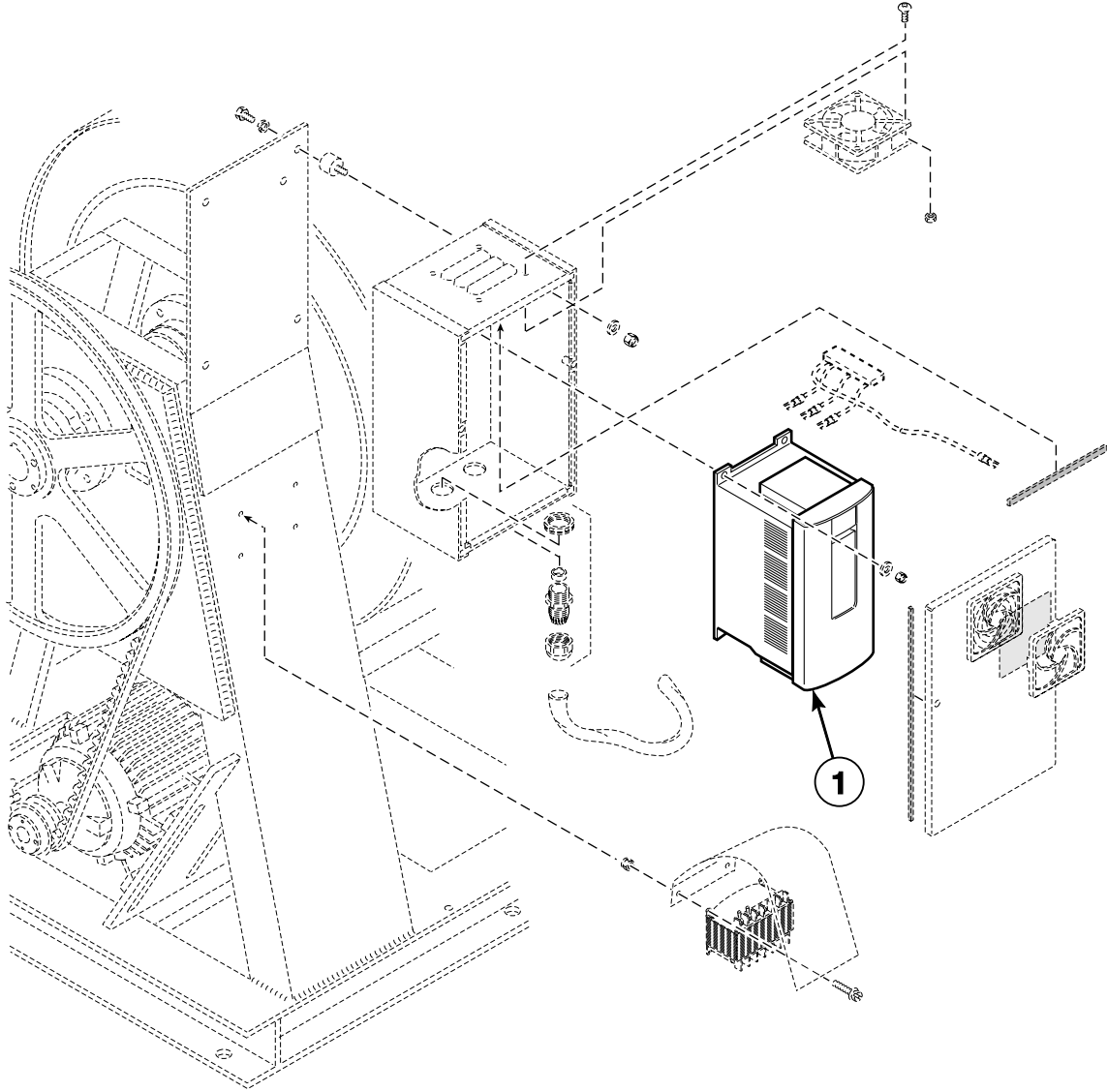
AC Drive (Drawing 3 of 5)

REF	PART NO.	DESCRIPTION	COMMENTS
1	F079895800	1305 to 160-Series AC Drive Retrofit Kit	T-voltage; Includes F370843 Inverter Drive; Used with F220215U Motor (Motor manufacturer Part No. G63653)
	F0798779-00	1305 to 160-Series AC Drive Retrofit Kit	T-voltage; Includes F370843 Inverter Drive; Used with F220215M Motor (Motor manufacturer Part No. F-391719-61)
	N/A	1305 to 160-Series AC Drive Retrofit Kit	T-voltage; Includes F370843 Inverter Drive and F0220439-00 Motor (Motor manufacturer Part No. F-392446-60)
	F079895400	1305 to 160-Series AC Drive Retrofit Kit	Q-voltage; Includes F370857 Inverter Drive; Used with F220215U Motor (Motor manufacturer Part No. G63653)
	F0798777-00	1305 to 160-Series AC Drive Retrofit Kit	Q-voltage; Includes F370857 Inverter Drive; Used with F220215M Motor (Motor manufacturer Part No. F-391719-61)
	F0798777-10	1305 to 160-Series AC Drive Retrofit Kit	Q-voltage; Includes F370857 Inverter Drive and F0220439-00 Motor (Motor manufacturer Part No. F-392446-60)
	F079895600	1305 to 160-Series AC Drive Retrofit Kit	Q-voltage; Includes F370857 Inverter Drive and EMI/RFI filter; Used with F220215U Motor (Motor manufacturer Part No. G63653)
	N/A	1305 to 160-Series AC Drive Retrofit Kit	Q-voltage; Includes F370857 Inverter Drive and EMI/RFI filter; Used with F220215M Motor (Motor manufacturer Part No. F-391719-61)
	F0798781-10	1305 to 160-Series AC Drive Retrofit Kit	Q-voltage; Includes F370857 Inverter Drive, F0220439-00 Motor (Motor manufacturer Part No. F-392446-60) and EMI/RFI filter
	N/A	AC Drive Retrofit Kit	T-voltage; Mitsubishi conversion; Z-A/B
	N/A	AC Drive Retrofit Kit	T-voltage; Mitsubishi conversion; A-A/B
	N/A	AC Drive Retrofit Kit	Q-voltage; Mitsubishi conversion; Z-A/B
	N/A	AC Drive Retrofit Kit	Q-voltage; Mitsubishi conversion; A-A/B

N/A = Part no longer available

NOTE: Refer to the *Motor Manufacturer Part No. Location on the Motor's Nameplate* section for information on motor manufacturer part no. location.

AC Drive (Drawing 4 of 5)



PHM2677P_F232150

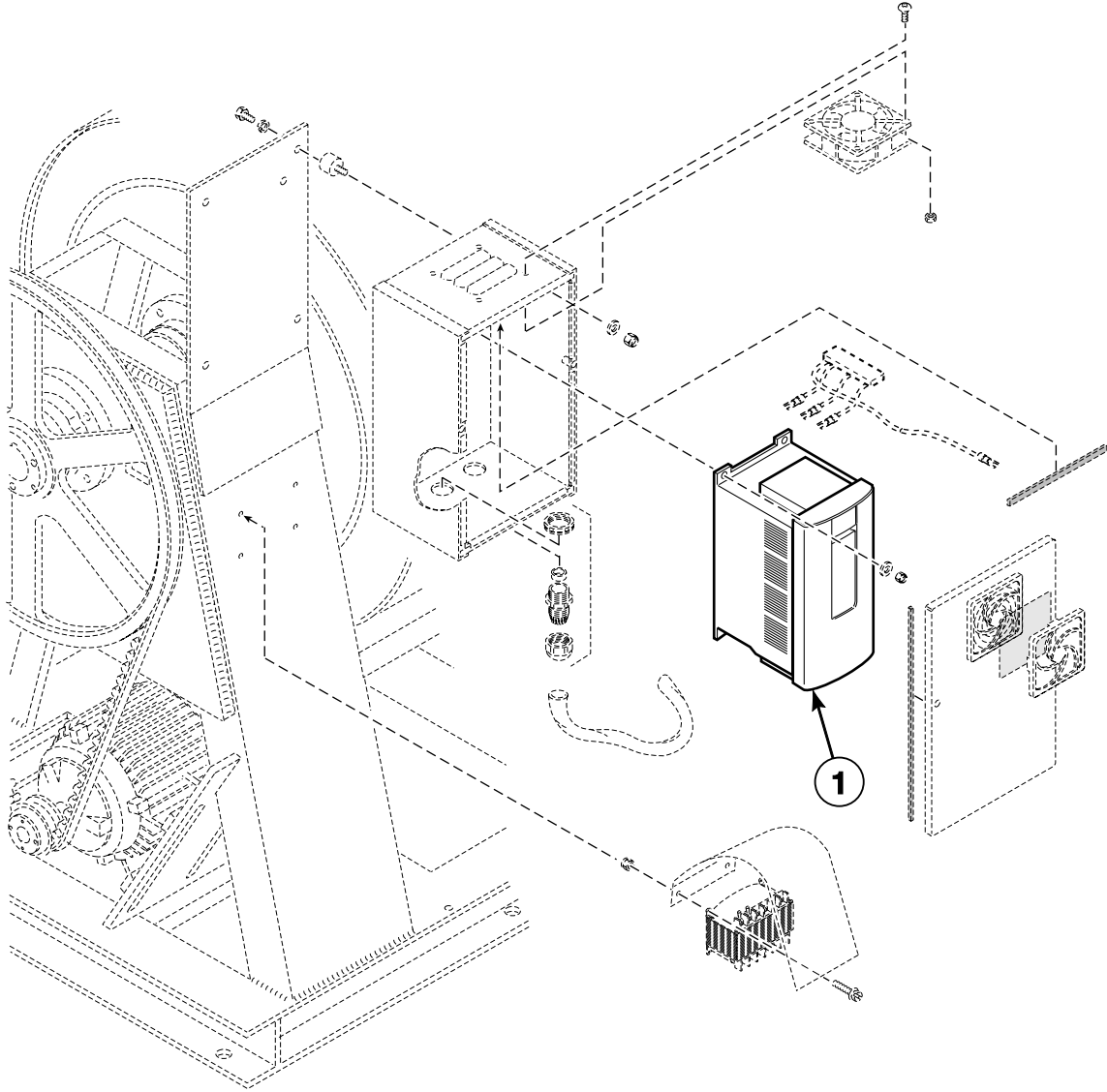
AC Drive (Drawing 4 of 5)

REF	PART NO.	DESCRIPTION	COMMENTS
1	F0370858-786	160-Series AC Drive Kit	N or P-voltage models that have previously been updated from the 1305-series drive to the 160-series drive using F0798778-10 or F0798782-10 1305 to 160-Series AC Drive Retrofit Kit; Used with F0220439-00 Motor (Motor manufacturer Part No. F-392446-60)
	F0370858-777	160-Series AC Drive Kit	N or P-voltage; Replaces F370858 Inverter Drive; Used with F220215M Motor (Motor manufacturer Part No. F-391719-61)
	F0370858-778	160-Series AC Drive Kit	N or P-voltage; Replaces F370858 Inverter Drive; Used with F0220242-00 Motor (Motor manufacturer Part No. 9-392281-60)
	F0370858-805	160-Series AC Drive Kit	N or P-voltage; Replaces F370858 Inverter Drive; Used with F220215U Motor (Motor manufacturer Part No. G63653)
	F0798778-00	1305 to 160-Series AC Drive Retrofit Kit	N or P-voltage; Includes F370858 Inverter Drive; Used with F220215M Motor (Motor manufacturer Part No. F-391719-61)
	N/A	1305 to 160-Series AC Drive Retrofit Kit	N or P-voltage; Includes F370858 Inverter Drive and F0220439-00 Motor (Motor manufacturer Part No. F-392446-60)
	F079895700	1305 to 160-Series AC Drive Retrofit Kit	N or P-voltage; Includes F370857 Inverter Drive and EMI/RFI filter; Used with F220215U Motor (Motor manufacturer Part No. G63653)
	F079895500	1305 to 160-Series AC Drive Retrofit Kit	N and P-voltage; Includes F370858 Inverter Drive; Used with F220215U Motor (Motor manufacturer Part No. G63653)
	F0798782-00	1305 to 160-Series AC Drive Retrofit Kit	N and P-voltage; Includes F370858 Inverter Drive and EMI/RFI filter; Used with F220215M Motor (Motor manufacturer Part No. F-391719-61)
	N/A	1305 to 160-Series AC Drive Retrofit Kit	N and P-voltage; Includes F370857 Inverter Drive, F0220439-00 Motor (Motor manufacturer Part No. F-392446-60) and EMI/RFI filter
	F744039	AC Drive Retrofit Kit	N and P-voltage; Mitsubishi Z-series drive to Allen Bradley 1305-series drive conversion
	F744041	AC Drive Retrofit Kit	N and P-voltage; Mitsubishi A-series drive to Allen Bradley 1305-series drive conversion

N/A = Part no longer available

NOTE: Refer to the *Motor Manufacturer Part No. Location on the Motor's Nameplate* section for information on motor manufacturer part no. location.

AC Drive (Drawing 5 of 5)



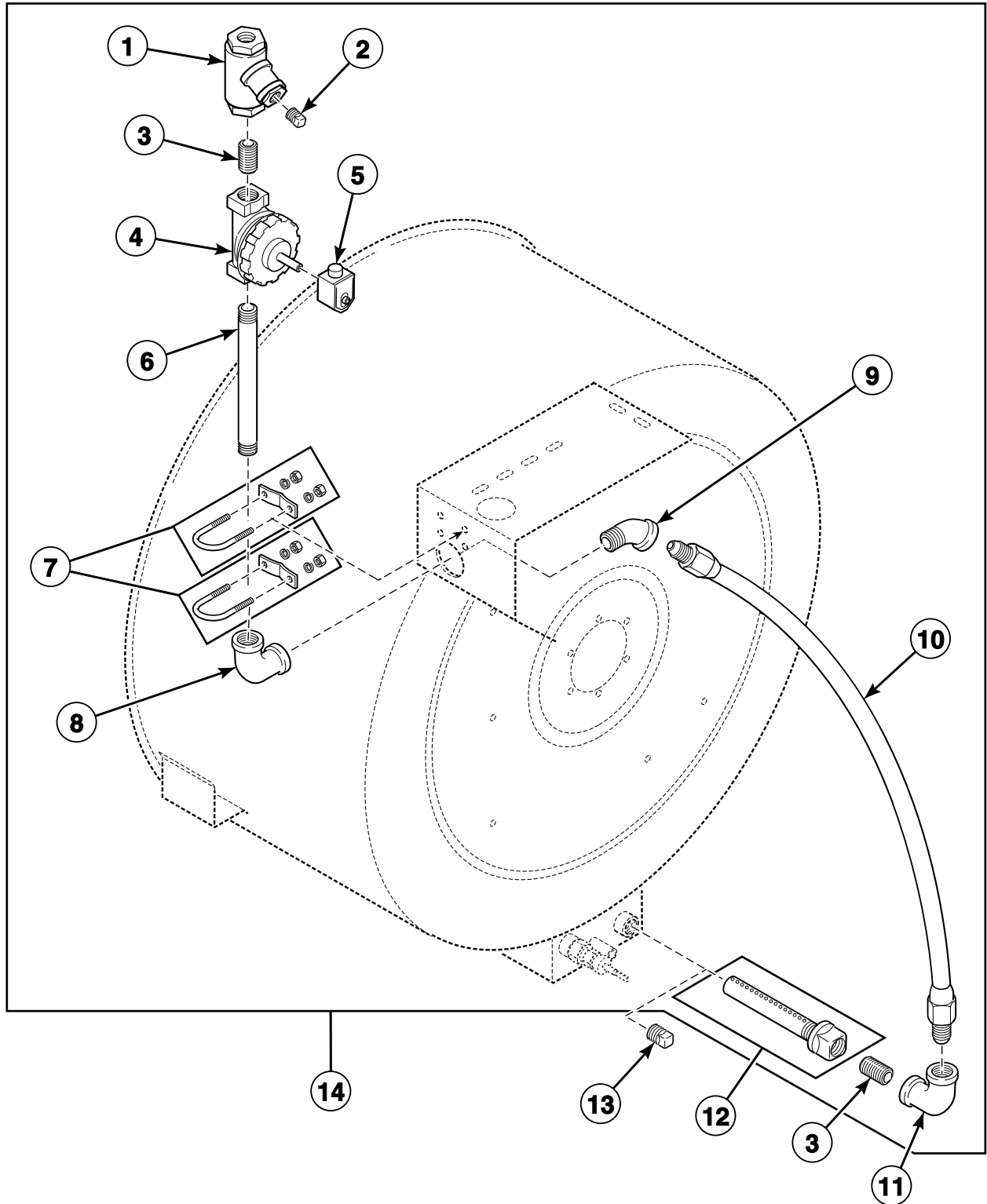
PHM2677P_F232150

AC Drive (Drawing 5 of 5)

REF	PART NO.	DESCRIPTION	COMMENTS
1	F079896600	Mitsubishi A-Series to 160-Series AC Drive Retrofit Kit	T-voltage; Includes F370843 Inverter Drive; Used with F220215U Motor (Motor manufacturer Part No. G63653)
	F079896700	Mitsubishi A-Series to 160-Series AC Drive Retrofit Kit	T-voltage; Includes F370843 Inverter Drive; Used with F220215M Motor (Motor manufacturer Part No. F-391719-61)
	F079896810	Mitsubishi A-Series to 160-Series AC Drive Retrofit Kit	T-voltage; Includes F370843 Inverter Drive and F0220439-00 Motor (Motor manufacturer Part No. F-392446-60)
	F079896000	Mitsubishi A-Series to 160-Series AC Drive Retrofit Kit	Q-voltage; Includes F370857 Inverter Drive; Used with F220215U Motor (Motor manufacturer Part No. G63653)
	F079896100	Mitsubishi A-Series to 160-Series AC Drive Retrofit Kit	Q-voltage; Includes F370857 Inverter Drive; Used with F220215M Motor (Motor manufacturer Part No. F-391719-61)
	F079896210	Mitsubishi A-Series to 160-Series AC Drive Retrofit Kit	Q-voltage; Includes F370857 Inverter Drive and F0220439-00 Motor (Motor manufacturer Part No. F-392446-60)
	F079896400	Mitsubishi A-Series to 160-Series AC Drive Retrofit Kit	N and P-voltage; Includes F370858 Inverter Drive; Used with F220215M Motor (Motor manufacturer Part No. F-391719-61)
	F079896510	Mitsubishi A-Series to 160-Series AC Drive Retrofit Kit	N and P-voltage; Includes F370858 Inverter Drive and F0220439-00 Motor (Motor manufacturer Part No. F-392446-60)
	F079896300	Mitsubishi A-Series to 160-Series AC Drive Retrofit Kit	N and P-voltage; Includes F370858 Drive; Used with F220215U Motor (Motor manufacturer Part No. G63653)

NOTE: Refer to the *Motor Manufacturer Part No. Location on the Motor's Nameplate* section for information on motor manufacturer part no. location.

Steam Heat Option

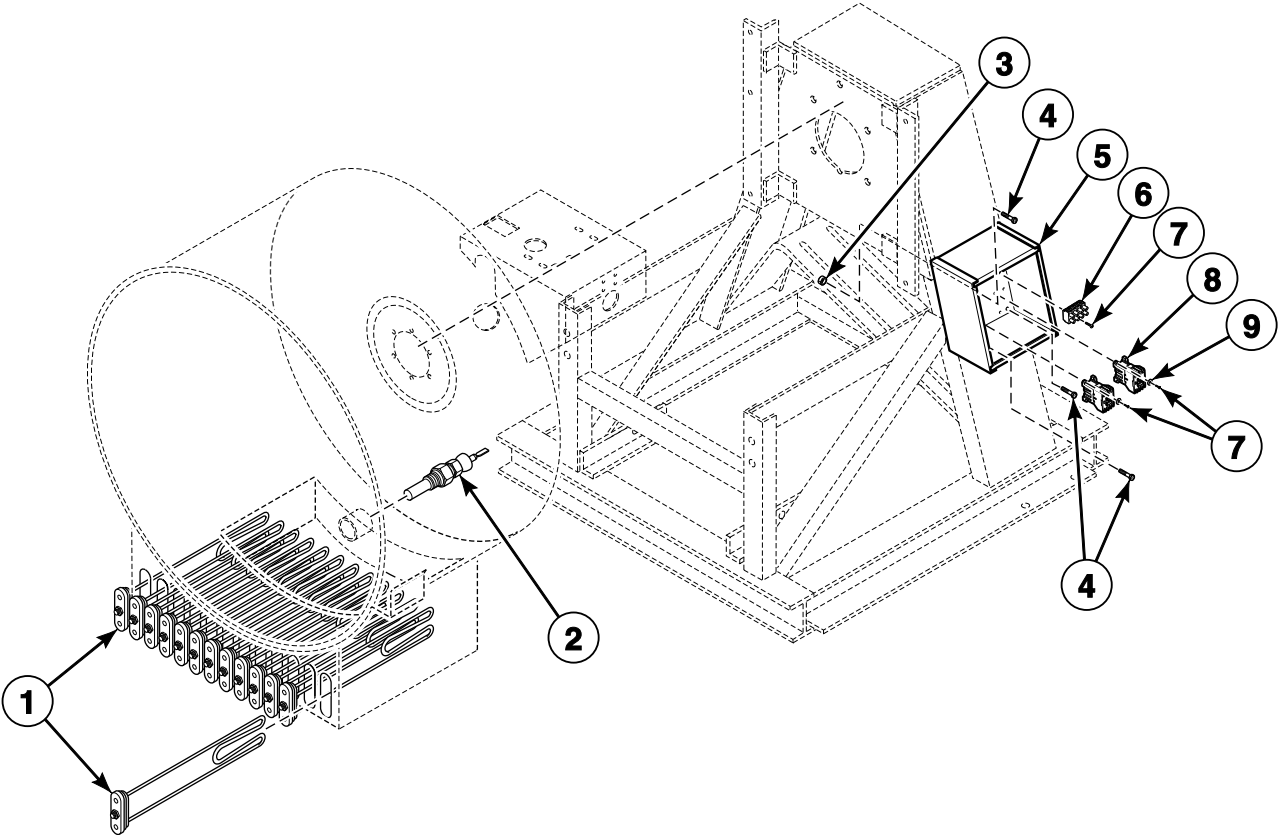


PHM2275P_F232150

Steam Heat Option

REF	PART NO.	DESCRIPTION	COMMENTS
	F410300	Pipe Insulation	
1	F270307	Steam Filter	
2	F420409	Plug	
3	70435601	Pipe Nipple	
4	F380786P	Steam Valve	120 Volt; F380984 Steam Valve Repair Kit
	F380787P	Steam Valve	220 Volt; F380984 Steam Valve Repair Kit
5	F380986P	DIN Coil	120 Volt
	F380987P	DIN Coil	220 Volt
6	F420719	Nipple	
7	F200401P	U-Bolt Clamp	Includes hardware
8	70079601	Elbow	
9	F421108	Elbow	
10	F200153P	Steam Hose	
11	F421703	Street Elbow	
12	F603131	Steam Injector Tube Assembly	
13	F200202600	Plug	
14	F633413P	Steam Plumbing Assembly	120 Volt; Includes items 1-12
	F633413-2	Steam Plumbing Assembly	220 Volt; Includes items 1-12

Electric Heat Option

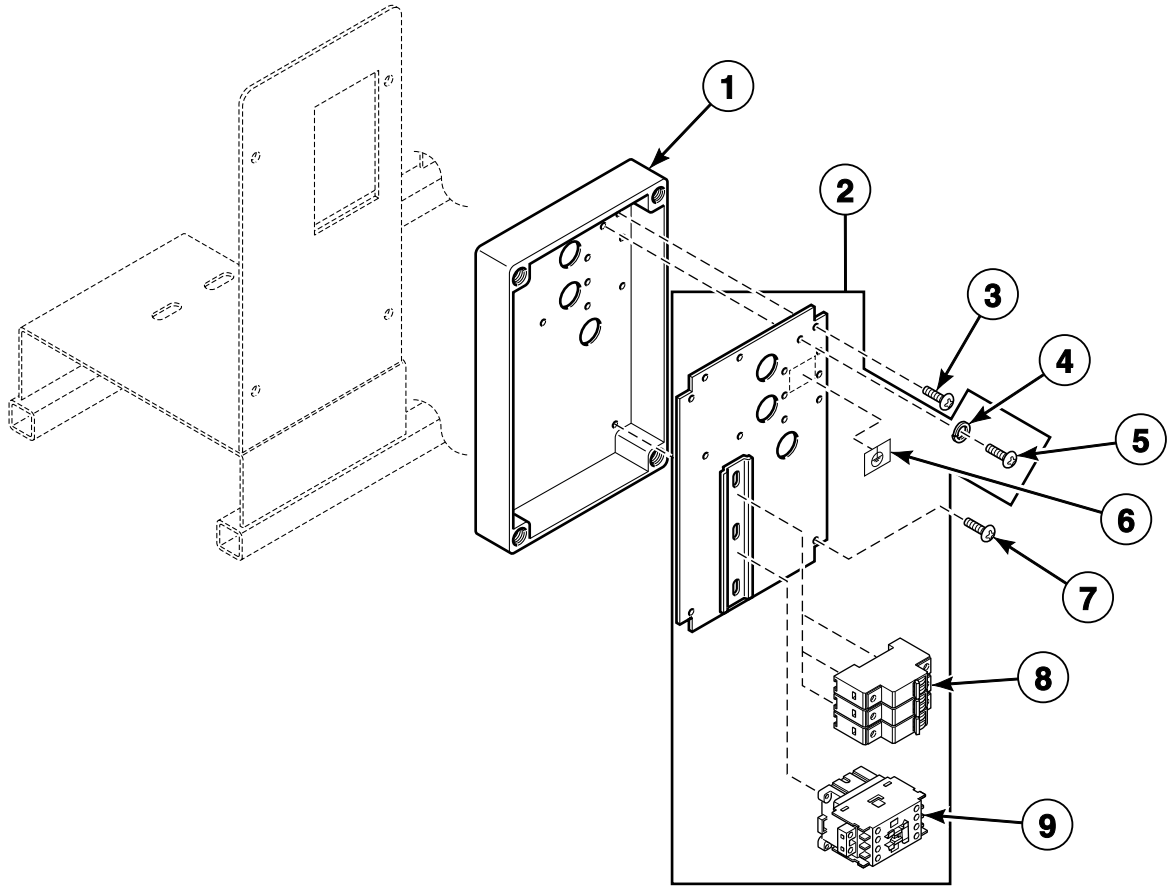


PHM2012P_F232150

Electric Heat Option

REF	PART NO.	DESCRIPTION	COMMENTS
1	F360205P	Element	6 required
2	F370606P	Temperature Probe	
3	F430215	Nut	
4	F430938	Screw	
5	F140413	Box	
6	F140747	Input Power Block	N and P-voltage
	M413865	Terminal Block	Q and T-voltage
7	F430107	Screw	
8	F330187P	Contactator	120 Volt; NX208
9	F430311	Washer	

Wet-Clean Option Control Module



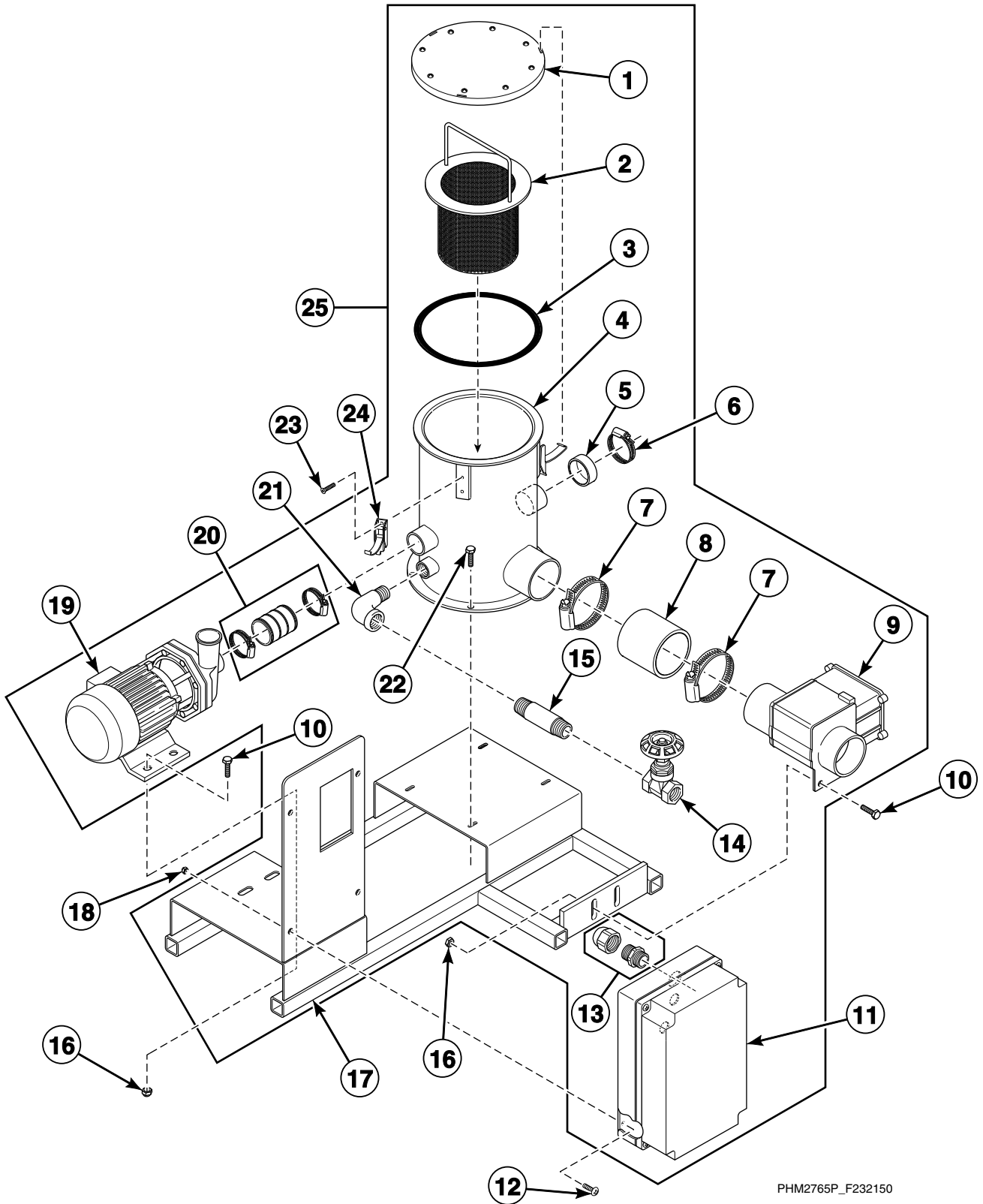
PHM2341P_F232150

Wet-Clean Option Control Module

REF	PART NO.	DESCRIPTION	COMMENTS
1	F140432	Box	Includes items 3 and 7
2	F634278	Control Panel Sub-Assembly	Includes items 4-6, 8 and 9
3	N/A	Screw	
4	N/A	Washer	
5	F430928	Screw	
6	F230739	Ground Decal	
7	N/A	Screw	
8	F350207P	Circuit Breaker	
9	F330177P	Contacto	

N/A = Part no longer available

Wet-Clean Option Main View

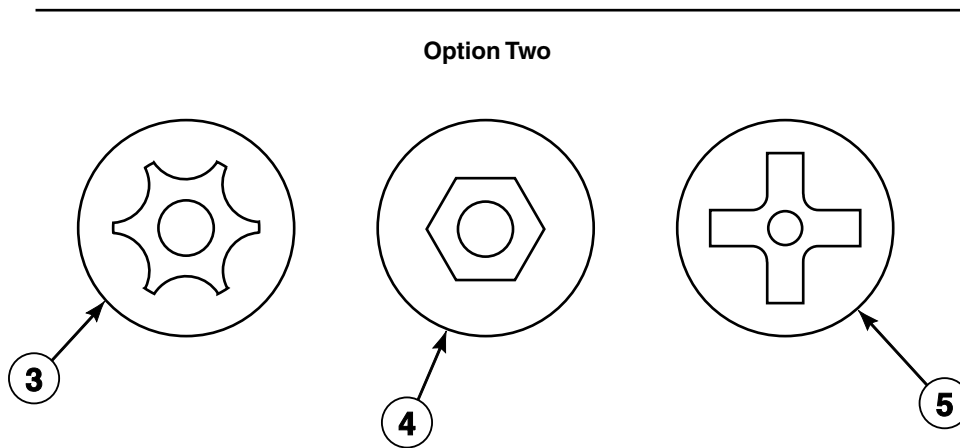
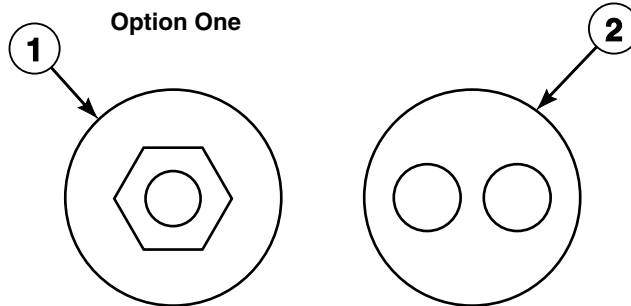


PHM2765P_F232150

Wet-Clean Option Main View

REF	PART NO.	DESCRIPTION	COMMENTS
1	F630300	Cover Assembly	
2	F630298	Filter Basket Weldment	
3	F170218	Canister Cover O-Ring	
4	F632355	Drain Canister Weldment	
5	F150352	Overflow Plug	
6	F200215	Hose Clamp	No. 28
7	F200201	Hose Clamp	No. 56
8	F150442	Drain Hose	
9	F380636	Ball Valve	220 Volt
10	F430939	Screw	
11	F635664	Control Module Sub-Assembly	
12	F430932	Screw	
13	F140329	Strain Relief Connector	PG13
14	F380500	Gate Valve	
15	F421915	Nipple	
16	F431024	Nut	
17	F632693-1	Canister Stand Weldment	
18	F430232	Nut	
19	F270102P	Pump	
20	F422515	Tube Connector	
21	F422304	Street Elbow	
22	F430923	Screw	
23	F430903	Screw	
24	F432201	Draw Latch	
25	F0632800-02	Wet-Clean Canister Stand Assembly	Includes items 1-9, 11, 13-15, 17, 19-22 and 24

Security Fasteners



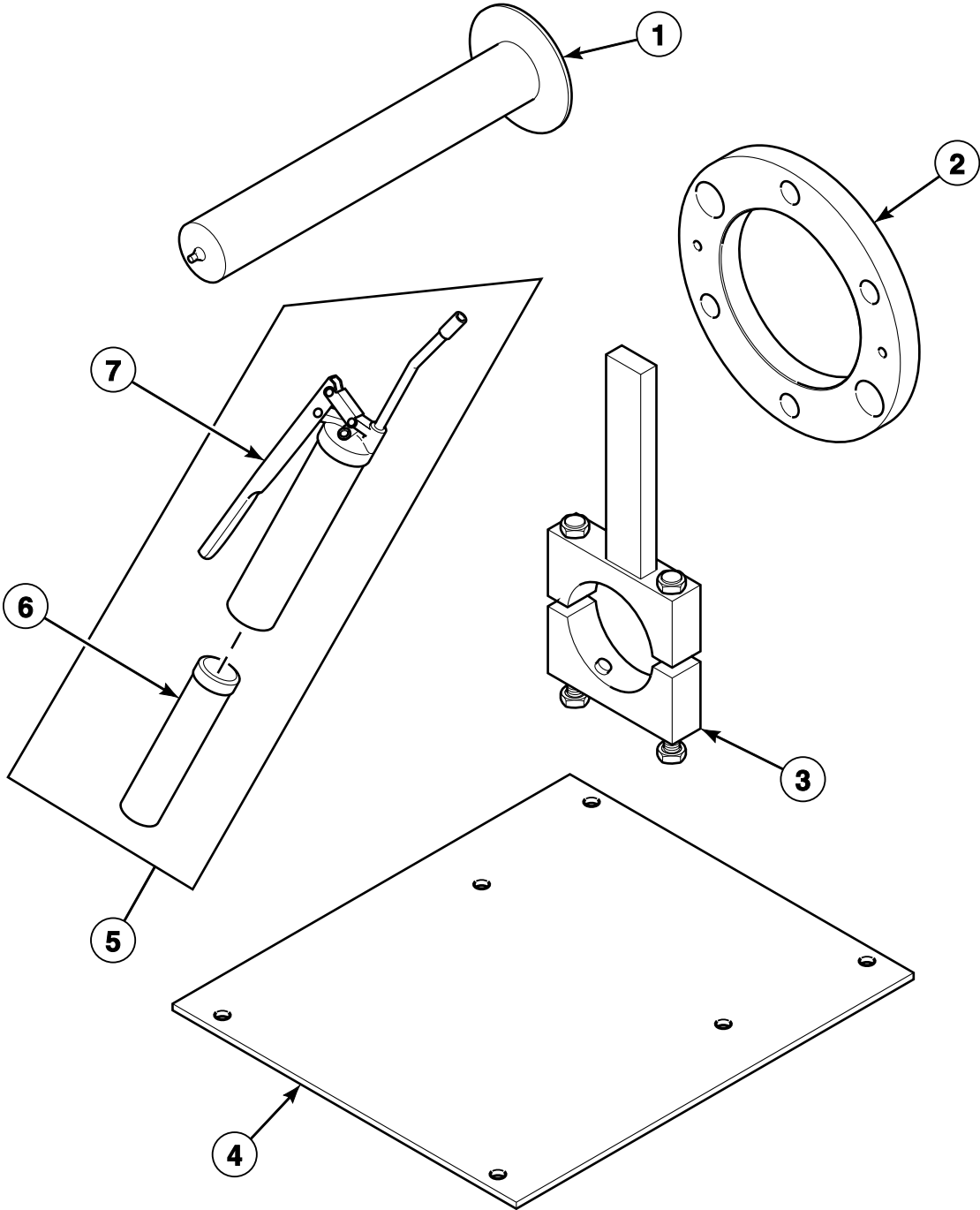
PHM2181P_F232150

Security Fasteners

REF	PART NO.	DESCRIPTION	COMMENTS
1	F0430275-00	Screw	No. 8; 32 x 1/2 inch; Used in place of F430956 Screw; Typical location is the side panels and module cover
	F430960	Screw	No. 10; 32 x 3/8 inch; Used in place of F430904 Screw; Typical location is the module to the shell
	F704906	Hex Bit	
2	F0430273-00	Screw	1/4 inch; 20 x 2-1/2 inch; Used in place of F430996 Screw; Typical location is the door box to the bracket
	F0430272-00	Screw	1/4 inch; 20 x 1-1/2 inch; Used in place of F430921 Screw; Typical location is the side panel to the bracket
	F0430274-00	Screw	1/4 inch; 20 x 1/2 inch; Used in place of F430925 Screw; Typical location is the drive box or the cover
	F704907	Spanner Bit	
3	F432260	Screw	1/4 inch; 20 x 2-1/2 inch; Used in place of F430996 Screw; Typical location is the door box to the bracket
	F704904	Phillips Bit	
4	N/A	Screw	1/4 inch; 20 x 1/2 inch; Used in place of F430925 Screw; Typical location is the drive box or cover
	F704897	Hex Bit	
5	F432259	Screw	No. 8; 32 x 1/2 inch; Used in place of F430956 Screw; Typical location is the side panels and module cover
	281P4	Torx Bit	

N/A = Part no longer available

Special Tools



PHM3142P_F232150

Special Tools

REF	PART NO.	DESCRIPTION	COMMENTS
	F370851P	HIM Drive	Models with Allen-Bradley 160-series A and B inverter drives
	F798751	HIM Drive	Models with Allen-Bradley 160-series A, B and C inverter drives
	1113P	Concrete Hardware Kit	
1	F633426	Alignment Shaft Assembly	
2	F0100312-00	Shaft Seal Alignment Fixture	
3	F460130	Bearing Removal Tool	
4	F604501	Rebar Frame Template	
5	F798700	Grease Gun Kit	Includes items 6 and 7
6	F210206P	Bearing Grease	
7	F210207P	Grease Gun	

Motor Manufacturer's Part Number on the Motor's Nameplate

F220215M



Motor
Manufacturer
Part No.
F-391719-61

PHM2362F

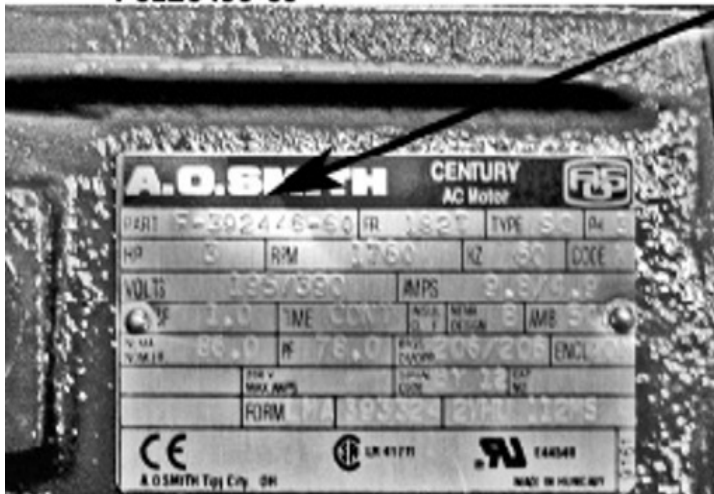
F220215U



Motor
Manufacturer
Part No.
G63653

PHM2363P

F0220439-00



Motor
Manufacturer
Part No.
F-392446-60

PHM2358P

Parts Index

A

AC Drive Box Cover F633382	49
AC Drive Box Weldment F633401	49
AC Drive Kit, 160-Series	
F0370843-784	51
F0370843-785	51
F0370843-787	51
F0370843-806	51
F0370857-777	51
F0370857-778	51
F0370857-786	51
F0370857-805	51
F0370858-777	55
F0370858-778	55
F0370858-786	55
F0370858-805	55
AC Drive Radio Filter Assembly F200320900	49
AC Drive Retrofit Kit	
F744039	55
F744041	55
AC Drive Retrofit Kit, 1305 to 160-Series	
F0798777-00	53
F0798777-10	53
F0798778-00	55
F0798779-00	53
F0798781-10	53
F0798782-00	55
F079895400	53
F079895500	55
F079895600	53
F079895700	55
F079895800	53
Air Trap Hose F020014200	17, 35
Alignment Shaft Assembly F633426	69
Antisiphon Valve F380801P	27

B

Ball Valve F380636	65
Basket Assembly F604377	37
Battery F191101	9
Bearing Grease F210206P	69
Bearing Removal Tool F460130	69
Before Power Is Connected Tag F230501	7
Belt F280354	47

Box	
F140413	61
F140432	63

Bushing	
F140800	15
F280213	47
F280409P	47

Buzzer	
F300203P	17

C

Cable Assembly	
F604713	13

Cable Tie	
F140605	9, 47
F140606	9

Cage Wrap Assembly	
F633743	43

Canister Cover O-Ring	
F170218	65

Canister Stand Weldment	
F632693-1	65

Chemical Supply Cup	
F150385	21
F150386	21

Chemical Supply Hose	
F150478	21

Circuit Breaker	
F350207P	63
F350210	13

Clockwise Spin Rotation Decal	
F230652	7

Coil	
F380900	19, 23
F380901P	27
F380902P	27
F380917	19, 23
F380975	27
F380976	27

Cold Water Valve Decal	
F231368	7

Computer Cover	
F606826	9

Concrete Hardware Kit	
1113P	69

Conductor Decal	
F231146	7

Connector	
F140309	15, 49
F140575P	13
F140576P	13
F422500	17
J1408004	47

Contact Block Switch	
F200233401	9
F200299500	9
F340445	9

Contacto	
F330175P	11
F330177P	11, 63

N/A items do not appear in index.

F330187P	61
Containment Device	
F0380809-00.....	33
Control Module Cover	
F634558.....	9
Control Module Decal	
F230721.....	9
Control Module Sub-Assembly	
F635664.....	65
Control Panel Sub-Assembly	
F634278.....	63
Control Transformer Cover	
F140425.....	49
Cover Assembly	
F630300.....	65

D

Diaphragm and Guide Kit	
G582P3.....	25
DIN Coil	
F380986P	29, 31, 59
F380987P	29, 31, 59
DIN Harness Assembly	
F141901P	29, 31
Disconnect Power Warning Label	
505281	7, 9
Dispenser Assembly	
F0150512-00P	21
Dispenser Lid	
F0150514-00.....	21
Do Not Push Decal	
F230302.....	7
Door Assembly	
F200119500P	39
Door Box	
F0605466-00.....	41
Door Box Assembly	
F603695.....	41
F604191	41
Door Box Mounting Plate Assembly	
F605525.....	41
Door Bracket Latch Shim	
F631989.....	39
Door Butt Shim	
F0610695-00.....	39
Door Gasket	
F017014301.....	39
Door Glass Gasket	
F170112.....	39
Door Handle Casting	
F150203.....	39
Door Hinge Pin	
F601815.....	39
Door Hinge Strap	
F200030600.....	39
Door Latch Bracket Shim	
F602058.....	39
Door Lock Solenoid	
F300118P	41
F300129P	41

Drain Canister Weldment	
F632355	65
Drain Connector Tee	
F8017101	35
Drain Hose	
F0150331-00.....	35
F150442	65
F8105901	35
Drain Valve	
803293	35
Drain Valve Cover	
F200133600	35
Draw Latch	
F432201	65

E

Elbow	
F421108	59
F422319	39
70079601	59
Element	
F360205P	61
Emergency Stop Button Kit	
F200233700P	9
Emergency Stop Decal	
F231083	9
Emergency Stop Pushbutton	
F200233500	9
Extension	
F421938	39
Extension Arm Kit	
F746800	39
External Supply Box	
F633434	9
External Supply Box Cover	
F633435	9
External Supply Connection Decal	
F230764-1	19
F230764-10	19
F230764-11	19
F230764-12	19
F230764-3	7, 19
F230764-6	7, 19
F230764-7	19
F230764-9	19
External Supply Control Decal	
F230606	17
External Supply Decal	
F230622	17, 19
External Supply Fuse Decal	
F231271	17
Extrusion Insert	
F150397	43

F

Face Seal	
F8162101	47
Filter	
F200318900P	49

N/A items do not appear in index.

Filter Basket Weldment	
F630298	65
Filter Retainer Guard	
F220900	49
Flange Relay	
F330227	11
F330230	11
Frame Weldment	
F633757	45
Front Bearing Kit	
F798824-00	47
Front Panel	
F630356	43
Fuse	
F350104	13
F350108	11
F350109	11
F350110	11
F350115	17
Fuse Holder	
F0350312-10	17
F350304P	13

G

Gasket	
F170158P	21
F170401P	43
F170402P	19
Gate Valve	
F380500	31, 65
Glass Kit	
F290202P	39
Gravity Drain Valve	
803292	35
Grease Fitting	
F190701	47
Grease Gun	
F210207P	69
Grease Gun Kit	
F798700	69
Grease Manifold	
F320326	47
Ground Decal	
F230630	15
F230739	63
Ground Terminal Lug	
F140734	15

H

Hex Bit	
F704897	67
F704906	67
HIM Drive	
F370851P	69
F798751	69
Hose Adapter	
F421908	27, 29, 31
Hose Barb	
F421930	27, 31
F421951	31

Hose Clamp	
F200201	35, 65
F200205	35
F200206	31
F200213	21, 35
F200215	17, 35, 65
F200222	31
36801	19, 23, 25
Hose Connector	
F200302	19, 23, 25
Hot Surface Warning Decal	
F200085000	7
F231380	7
Hot Water Valve Decal	
F231367	7

I

Injection Nozzle	
F8322001	19, 21
Injection Nozzle Kit	
F730168	19, 21
Input Power Block	
F140746	15
F140747	61
Input Power Connector Decal	
F230677	15
Insulator Bushing	
F140909	15, 17, 19
Interlock Switch	
F340900	41
Interlock Switch Spacer	
F601055	41

J

Jumper Kit	
F784003P	11

K

Key	
F430801	47
F430802	47
Keymode Assembly	
F200174600P	13
Keymode Decal	
F230678	13
Keymode Run/Program Switch	
F340800P	13
Keypad Decal	
F230724P	9

L

Light	
F350412	13
F350414	13
Lower Door Latch Bracket Casting	
F150202	39

N/A items do not appear in index.

Lower Door Latch Casting F150204	39
Lubrication Instruction Decal F230745	47

M

Magnet F8390801	41
Magnetic Switch Assembly F200321200	41
Main Drive Kit F380918	35
Manual Bearing Greasing Retrofit Kit F745401	47
Mitsubishi A-Series to 160-Series AC Drive Retrofit Kit	
F079896000	57
F079896100	57
F079896210	57
F079896300	57
F079896400	57
F079896510	57
F079896600	57
F079896700	57
F079896810	57
Module Sub-Assembly F604711-1	9
Momentary Switch F340412	9
Motor F220215M	47
F220215U	47
Motor Pulley Bushing F280211P	47
Mounting Panel Assembly F608385	9
Muffin Fan F110105	49
F110106	49

N

Nipple	
F420101	27, 29, 31
F420103	27, 29, 31
F420105	27, 29
F420719	59
F421915	65
F421949	29, 31
No-Swivel Coupling F422109	39
Nut	
F430205	37, 45, 47
F430211	35, 43
F430215	37, 41, 43, 49, 61
F430231	9, 11, 13, 15, 41, 49
F430232	41, 65
F430264	43
F431000	9
F431002	39
F431005	21, 35
F431006	15, 17
F431017	17

F431021	41
F431022	9, 17, 19, 39, 49
F431024	65
F431026	39
70142	45
802292	19, 21

O

O-Ring	
F0170221-00	33
F170200	39
F170208	19, 21
F170215	21
Output CCA	
F0370444-10P	11
F8321901P	11
Overflow Hose F150353	35
Overflow Plug F150352	65

P

Personal Injury Warning Decal F231065	7, 13
Phillips Bit F704904	67
Pipe Insulation F410300	59
Pipe Nipple 70435601	59
Plug	
F140527	15, 19
F200202600	59
F420408	31
F420409	59
Plug Cap F190304	21
Program Key F370709	13
Pulley	
F280146P	47
F280410	47
Pulley Bushing F280297	47
Pump F270102P	65
Push Decal F230303	41
Push Handle Kit F746201-1	41

R

RC Network Filter F330217P	9, 11, 41
Rear Bearing Kit F745010	47
Rear Drain Hose F150311	35

N/A items do not appear in index.

Rear Panel	
F630383	43
Rebar Frame Template	
F604501	69
Repair Kit	
F380914P	27
Resistor Assembly	
F610765P	17
Retainer Ring Spinning	
F320100	39
Ribbon Cable	
F140218P	9
F140219P	9
F140223P	9
Ring Retainer	
F310206	39
Rub Rail	
F150407	43

S

Sandwich Mount	
F432219	49
Screw	
F0430272-00	67
F0430273-00	67
F0430274-00	67
F0430275-00	67
F430103	35
F430107	61
F430116	45
F430152	19
F430168	39
F430500	37
F430903	65
F430909	41
F430916	17, 19, 47, 49
F430917	21, 39, 41
F430920	17
F430921	43
F430923	65
F430924	45
F430927	39
F430928	9, 11, 13, 15, 17, 63
F430932	65
F430935	49
F430938	15, 33, 61
F430939	65
F430948	19, 23, 25
F430956	43
F430960	67
F430992	37
F430993	47
F430996	41
F431701	17
F432234	43
F432259	67
F432260	67
F8136401	9
201415	49
70240301	9
Seal Kit	
F798819-00	47
Shaft Seal Alignment Fixture	
F0100312-00	69

Shell Assembly	
F604458	37
Shell Band Gasket	
F200001600P	37, 49
Shell Band Kit	
F741701	37
Shell Front Assembly	
F200119800	37
Shell Front Kit	
F741301-01	37
Shell Mounting Bracket	
F601806	37, 45
Shell Weldment	
F633720-1	37
Side Panel	
F631470	43
Soap Dispenser Shroud Weldment	
F8024302	21
Soap Supply Cup	
F603411	19
Solenoid Spacer	
F609728	41
Solenoid Valve	
F380700P	27
F380701P	27
Spacer	
F431911	17
Spanner Bit	
F704907	67
Spray Rinse Bracket Assembly	
F602901P	39
Spray Rinse Hose Kit	
F730025	39
Spray Rinse Nozzle Kit	
F730077	39
Spray Rinse Strap	
F602880	39
Spray Rinse Tube Assembly	
F603696-7	39
Squeeze Connector	
F140311	15
Standoff	
F180506	11
Steam Filter	
F270307	59
Steam Hose	
F200153P	59
Steam Injector Tube Assembly	
F603131	59
Steam Plumbing Assembly	
F633413P	59
F633413-2	59
Steam Valve	
F380786P	59
F380787P	59
Strain Relief Adapter Kit	
F749802	21
Strain Relief Connector	
F140329	65
F140340P	21
Strainer	
F270200	23, 25

N/A items do not appear in index.

Street Elbow	
F420500	27, 29, 31
F420502	27, 29
F421703	59
F422304	65
Stud Weldment	
F630315	39
Supply Dispenser Hazard Caution Decal	
F231436	7, 21
Supply Dispenser Spacer	
F0150525-00	21
Swivel Coupling	
F422108	39

T

Tee	
F420400	31
F420401	27, 29
Temperature Probe	
F370606P	61
Terminal Block	
F140776	19
F140782	19
M413865	61
Terminal Strip	
F140738	13, 15, 17, 19
This Machine Must Be Protected Decal	
F230301	7
Tie Wrap Mounting Clamp	
F140602	9
Top Latch Bracket Casting	
F150201P	39
Torx Bit	
281P4	67
Transformer	
C000203	49
Trim	
F170400RP	19, 21
Tube Connector	
F422106	27, 29
F422515	65
Tubing	
C000628P	47
F140905	49
F422404P	17

U

U-Bolt Clamp	
F200401P	27, 29, 31, 59

V

Vacuum Breaker Cap	
F0380808-00	33
Vacuum Breaker Kit	
F0798922-00	33
Vacuum Breaker Valve	
F063754701P	33
F380800P	27

N/A items do not appear in index.

Valve	
F380780P	27
F381702P	29, 31
F381703P	29, 31
Valve Repair Kit	
F380993P	29, 31
Valve, 4-Way	
F380715P	19, 23
F380725P	19, 23
F381723P	25
F381724P	25

W

Washer	
F430300	47
F430311	61
F430317	37, 43
F431100	21, 39, 41, 43, 49
F431102	49
F431104	41
F431108	9, 15
F431113	9, 11, 17
F431118	39
F431123	9
F431125	9
F431142	41
F431147	21, 35
F8195301	21
M400014	13, 35, 45, 47
M400081	37, 45, 47
20290	27, 29, 31
803615	19, 27, 29, 31
Water Hose	
F200108P	31
F200110P	19, 23, 25
F200111P	31
F200164	27, 29, 31
F200166	29, 31
F200199P	27
Water Level Switch	
F0340345-10P	17
Water Level Switch Bracket	
F630242	17
Water Valve Assembly Decal	
F230754	23
Wet-Clean Canister Stand Assembly	
F0632800-02	65
WE-6 Computer	
F037062441P	9
WE-6 Interface CCA Kit	
F0370446-21P	11

Y

Y Connector	
F422816	23, 25