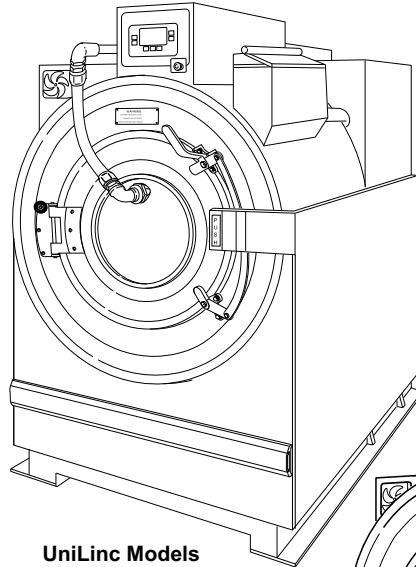


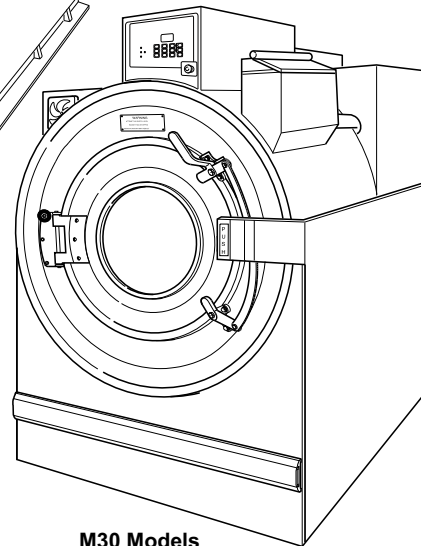
# Washer-Extractor

Pocket Hardmount

Refer to Page 3 for Model Numbers



UniLinc Models



M30 Models

PHM1419C\_F8165501



# Table of Contents

Title	Page
Parts Ordering Information.....	2
Serial Plate Location .....	2
Model Identification .....	3
Pocket Hardmount Washer-Extractor Product Overview - Model UW35TV .....	4
Pocket Hardmount Washer-Extractor Product Overview - UWL035, UWN035 and UWU035 Models.....	6
Control Module (Drawing 1 of 3) .....	8
Control Module (Drawing 2 of 3) .....	10
Control Module (Drawing 3 of 3) .....	12
AC Drive Box (Drawing 1 of 2).....	14
AC Drive Box (Drawing 2 of 2).....	16
Balance Switch, Temperature Probe and Rotation Sensor .....	18
Panels .....	20
Drive Box and Water Supply Box - Models Through 10/3/10.....	22
Drive Box and Water Supply Box - Models Starting 10/4/10.....	24
Door and Spray Tube Assembly - Models Through 10/3/10.....	26
Door and Spray Tube Assembly - Models Starting 10/4/10.....	28
Door Lock.....	30
Basket.....	32
Shell and Frame - Models Through 10/3/10 .....	34
Shell and Frame - Models Starting 10/4/10 .....	36
Supply Dispenser.....	38
Water Supply Valve and Hoses to Supply Dispenser - Models Through 10/3/10.....	40
Water Supply Valve and Hoses to Supply Dispenser - Models Starting 10/4/10.....	42
Spray and Fill Plumbing Assemblies - Models Through 10/3/10.....	44
Fill Plumbing Assembly - Models Starting 10/4/10.....	46
Fill Plumbing Assembly - Models Through 10/3/10.....	48
Spray Plumbing Assembly - Models Starting 10/4/10.....	50
Drain - Models Through 10/3/10 .....	52
Drain - Models Starting 10/4/10 .....	54
Motor, Pulley and Bearings (Drawing 1 of 2) .....	56
Motor, Pulley and Bearings (Drawing 2 of 2) .....	58
Electric Heat Option .....	60
Steam Heat Option - Models Through 10/3/10 .....	62
Steam Heat Option - Models Starting 10/4/10 .....	64
Special Tools .....	66
Parts Index.....	69

© Copyright 2014, Alliance Laundry Systems LLC

All rights reserved. No part of the contents of this book may be reproduced or transmitted in any form or by any means without the expressed written consent of the publisher.

# Parts Ordering Information

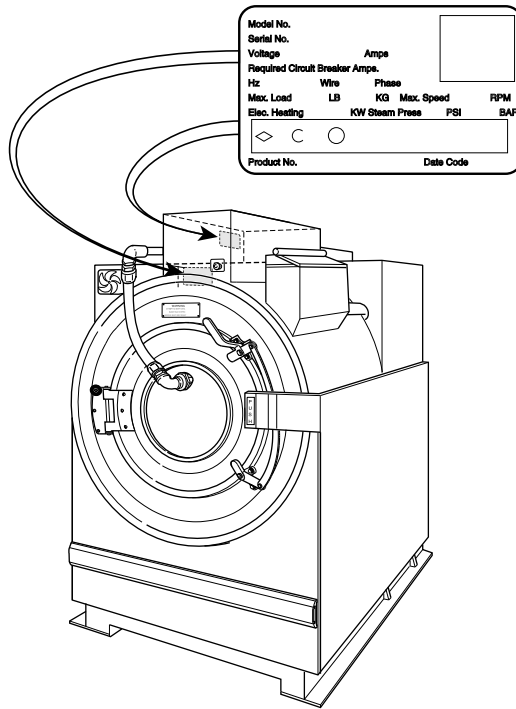
If literature or replacement parts are required, contact the source from whom the machine was purchased or contact Alliance Laundry Systems at (920) 748-3950 for the name and address of the nearest authorized parts distributor.

For technical assistance, call either of the numbers listed below:

(920) 748-3121 Ripon, Wisconsin  
+32 56 41 20 54 Wevelgem, Belgium

# Serial Plate Location

When calling or writing about your product, be sure to mention model and serial numbers. Model and serial numbers are located on serial plate(s) as shown.



PHM3110P\_F8165501

## Model Identification

Information in this manual is applicable to these washer-extractor models:

UW35TV

UWL035K12  
UWL035K1L  
UWL035K1M  
UWL035T3V

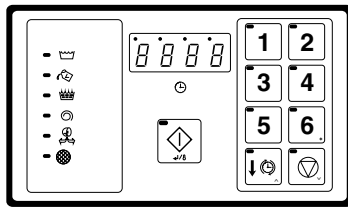
UWN035K12  
UWN035K1L  
UWN035K1M  
UWN035K1V  
UWN035T3V

UWU035K12  
UWU035K1L  
UWU035K1M  
UWU035T3V

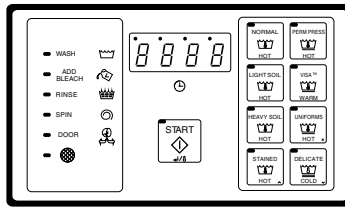
# Pocket Hardmount Washer-Extractor Product Overview - Model UW35TV

Model No. **UW60AMXUB0001**  
 Serial No. **00000000000**  
 Voltage **200 – 240**      Amps **10**  
 Circuit Breaker **15 Amps**  
 Hz **50 – 60**      Wire **2/3**      Phase **S 3**  
 Max. Load **60 LB**      **27 KG**      Max. Speed **594 RPM**  
 Elec. Heating **N/A**      Steam Press. **N/A PSI**      **0.0 BAR**

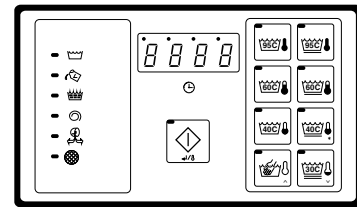
**Drawings:**  
 ETL Listed  
 Conforms To ANSI/UL Std. 1206, 3rd Ed  
 Certified To CAN/CSA Std. C22.2 No.53-1968



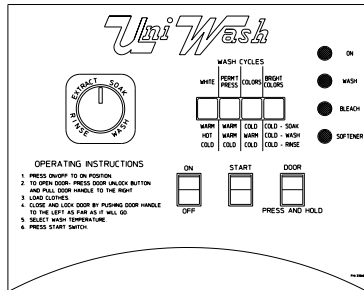
**A-Control**



**B-Control (Domestic)**



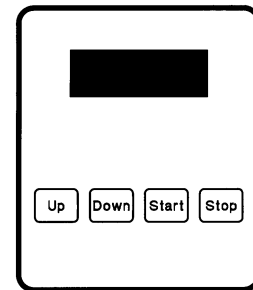
**B-Control (International)**



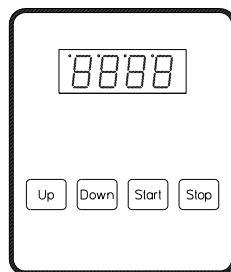
**Mechanical Timer**



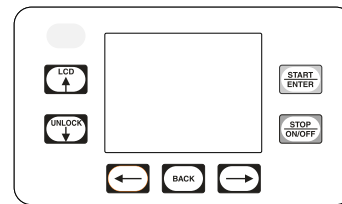
**WE-6 Control**



**S-Computer**



**V-Computer**



**UniLinc Control**

PHM2979P\_F8165501

# Pocket Hardmount Washer-Extractor Product Overview - Model UW35TV

REF	PART NO.	DESCRIPTION	COMMENTS
1	-	Product Family	UW
2	-	Capacity (Pounds)	35 60 80 100 125 150
3	-	Control	A (A-Control) B (B-Control) M (Mechanical Timer) P (WE-6 Control) S (S-Computer) T (UniLinc Control) V (V-Computer)
4	-	Speed	2 (2-Speed) 3 (3-Speed) 4 (4-Speed) V (Variable-Speed)
5	-	Voltage	F (440-480/60/3/3) N (440-480/50-60/3/3) O (208-240/60/3/3) P (380-415/60-60/3/3) Q (200-208/220-240/50/60/3ph) R (380-415/440-480/50/60/3ph) X (200-220/220-240/50/60/1-3) Y (208-240/60/1/2)
6	-	OEM	U (Standard Specs)
7	-	Design Series	1-8

# Pocket Hardmount Washer-Extractor Product Overview - UWL035, UWN035 and UWU035 Models

Model No. **UWN060T3VXU1001**

Serial No. 00000000000

Voltage 200 – 240      Hz 50-60    Phase 3

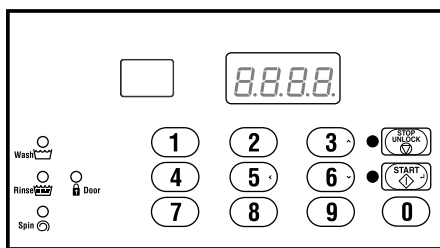
Number of wires : 3      FLA : 19    amps

Circuit Breaker Size : 30 amps

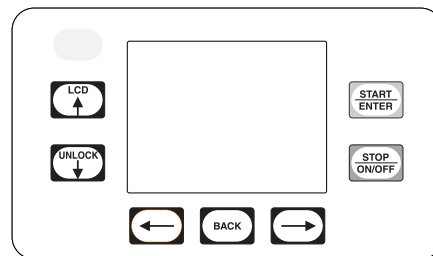
Max. Load : 60      LB      27      KG

Schematic :

Supply Water: 30 - 85 psi, 2 - 5.7 BAR



M30 Control



UniLinc Control

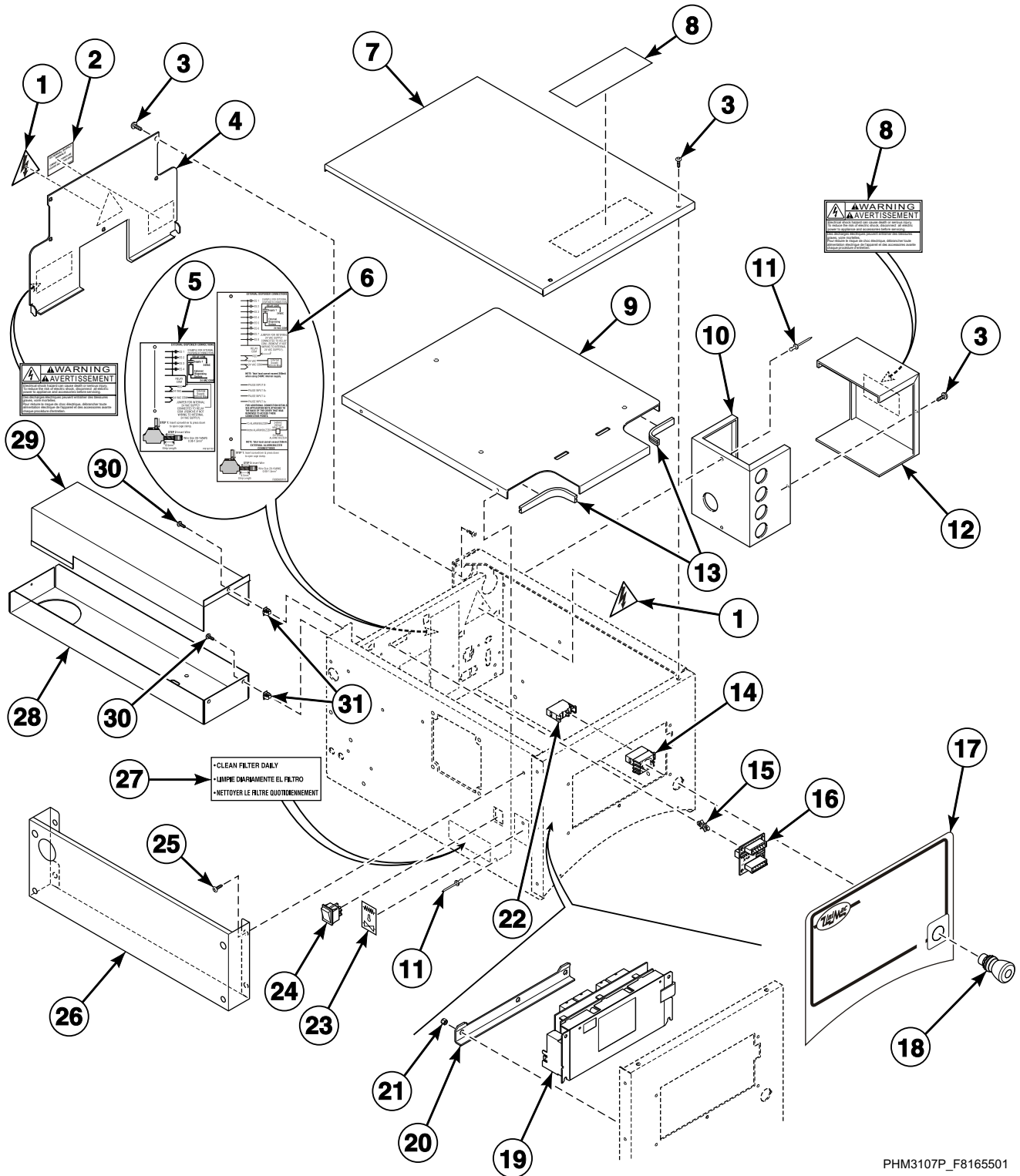
PHM3063P\_F8165501



## Pocket Hardmount Washer-Extractor Product Overview - UWL035, UWN035 and UWU035 Models

REF	PART NO.	DESCRIPTION	COMMENTS
1	-	Product Family	UW
2	-	Market Approvals	L (International ETL) N (Domestic ETL) U (International CE)
3	-	Capacity (Dry Weight in Pounds)	035 060 080 100 125 150
4	-	Control	K (M30 Control) T (UniLinc Control)
5	-	Spray/Dispenser Feature	1 (No spray but with dispenser) 3 (With spray and dispenser)
6	-	Speed	2 (2-Speed) L (Low-Speed - 100/60) M (Medium-Speed - 180/120/60) V (Variable-Speed - 300/240/180/120/60)
7	-	Voltage	O (208/220-240/60/3/3) Q (200-208/220-240/50/60/3) R (380-415/440-480/50/60/3) X (200-208/220/240/50/60/1/3)
8	-	OEM	U
9	-	Design Series	1
10	-	Heat Feature	0 (Prep for steam) D (Direct steam) E (Electric heat) P (Prep for electric and steam heat)
11	-	Features and Options	

# Control Module (Drawing 1 of 3)

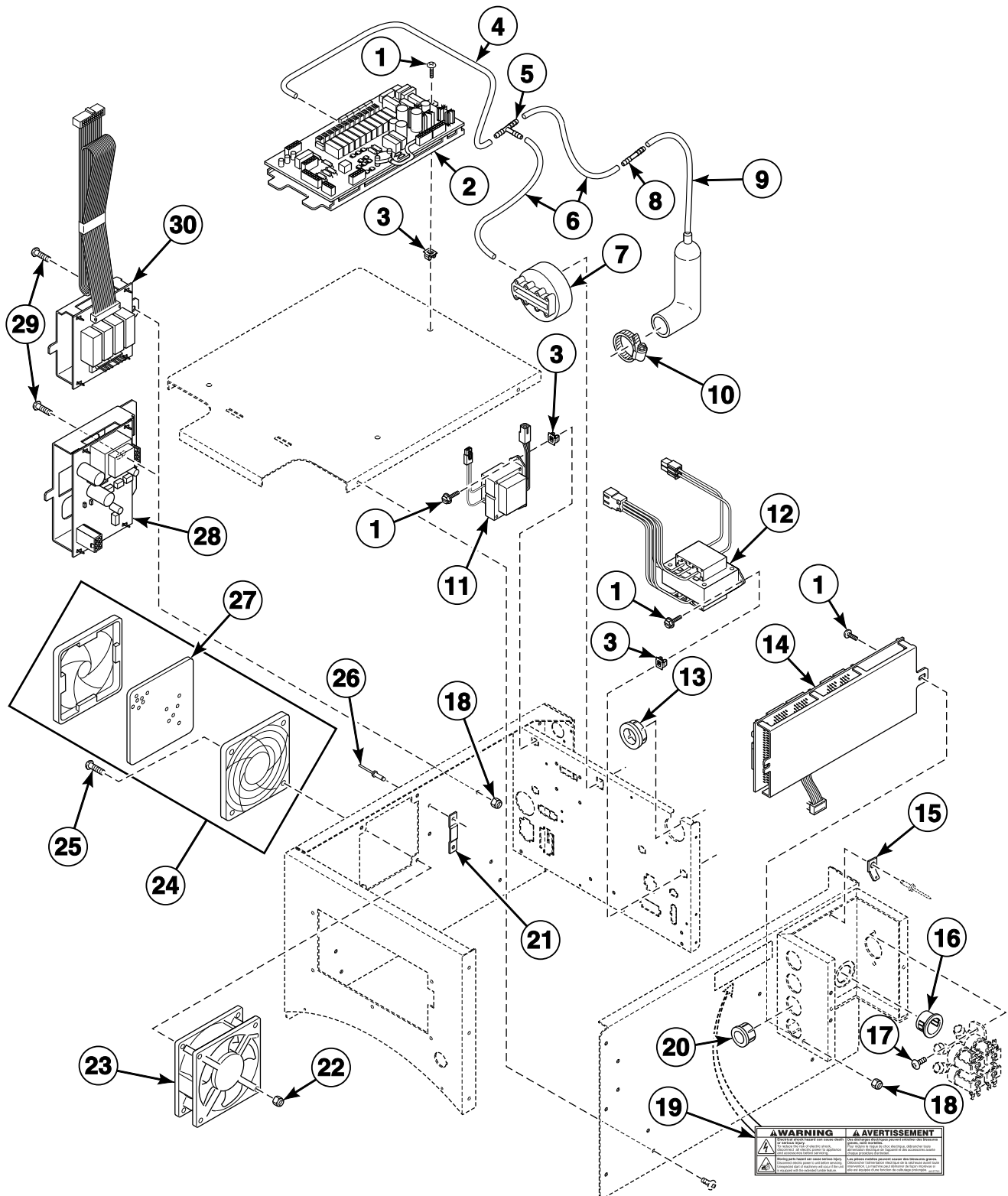


PHM3107P\_F8165501

## Control Module (Drawing 1 of 3)

REF	PART NO.	DESCRIPTION	COMMENTS
1	502511	Electrical Shock Label	Model UW35TV
2	F8150201	External Supply Connection Decal	
3	F430174	Screw	
4	F8170501	Control Box Rear Panel	
5	F8161701	External Supply Label	Models with a K in the 7th position
6	F8059801	External Supply Connection Decal	Model UW35TV and models with a T in the 7th position
7	F8170601	Control Box Top Panel	
8	F8233501	Warning Label	
9	F8055001	Control Box Contactor Panel	
10	F8055301	External Supply Box	Models through 10/3/10
11	F431210	Pop Rivet	Models through 10/3/10
12	F635365	External Supply Box Cover	Models through 10/3/10
13	F8152701	Trim	
14	F200233401	Contact Block Switch	
	F8060501	Emergency Stop Harness	
15	210098	PC Board Standoff	Network models
16	210095P	Communication Board	Network models
	NK205	Network Retrofit Kit	Includes item 28, 201341 Network Board Assembly, 210099 Communication Connector, 430497 Screw, 44088501 Network Wire Harness Assembly and 800246 Communication Wire Harness Assembly; Wired
	NK220	Network Controller Kit	Includes 511949 Network Controller Assembly, 512161 Network Controller Power Supply, 513375 Ethernet Cable, 201378 Network Controller Overlay and 513373 Network Controller Assembly
	NK301	Wireless Network Kit	Includes 202335 Wireless Transceiver Assembly, 44088501 Network Wire Harness Assembly, 501441 Electronic Control Shield, 55881 Harness Strap, 503661 Screw, F430903 Screw and F430232 Nut
	NK320	Ethernet Gateway Kit	Used with NK301 Wireless Network Kit
	NK330	USB Gateway Kit	Used with NK301 Wireless Network Kit
17	F8297101	Overlay	Models with a K in the 7th position
	F8427001	Control Module Decal	All other models
18	F200233500	Emergency Stop Pushbutton	
19	F983P3	Control Kit	Models with a K in the 7th position
	F982P3	Control Kit	All other models
20	F8036101	Control Board Bracket	
21	685846	Nut	
22	F8069501	Contact Switch	
23	F8368301	Steam-Electric Switch Label	Dual heat
24	F8367701	Rocker Switch	Dual heat
25	F430903	Screw	Model UW35TV; Models through 6/30/08
26	F8103001	Supply Controls Bracket	Model UW35TV; Models through 6/30/08
27	F200061000	Clean Filter Daily Decal	
28	F635615-1	Cable Tray Assembly	Model UW35TV
29	F635478	Cable Tray Cover	Model UW35TV
30	F8117601	Screw	
31	70030501	Expansion Clip	

# Control Module (Drawing 2 of 3)

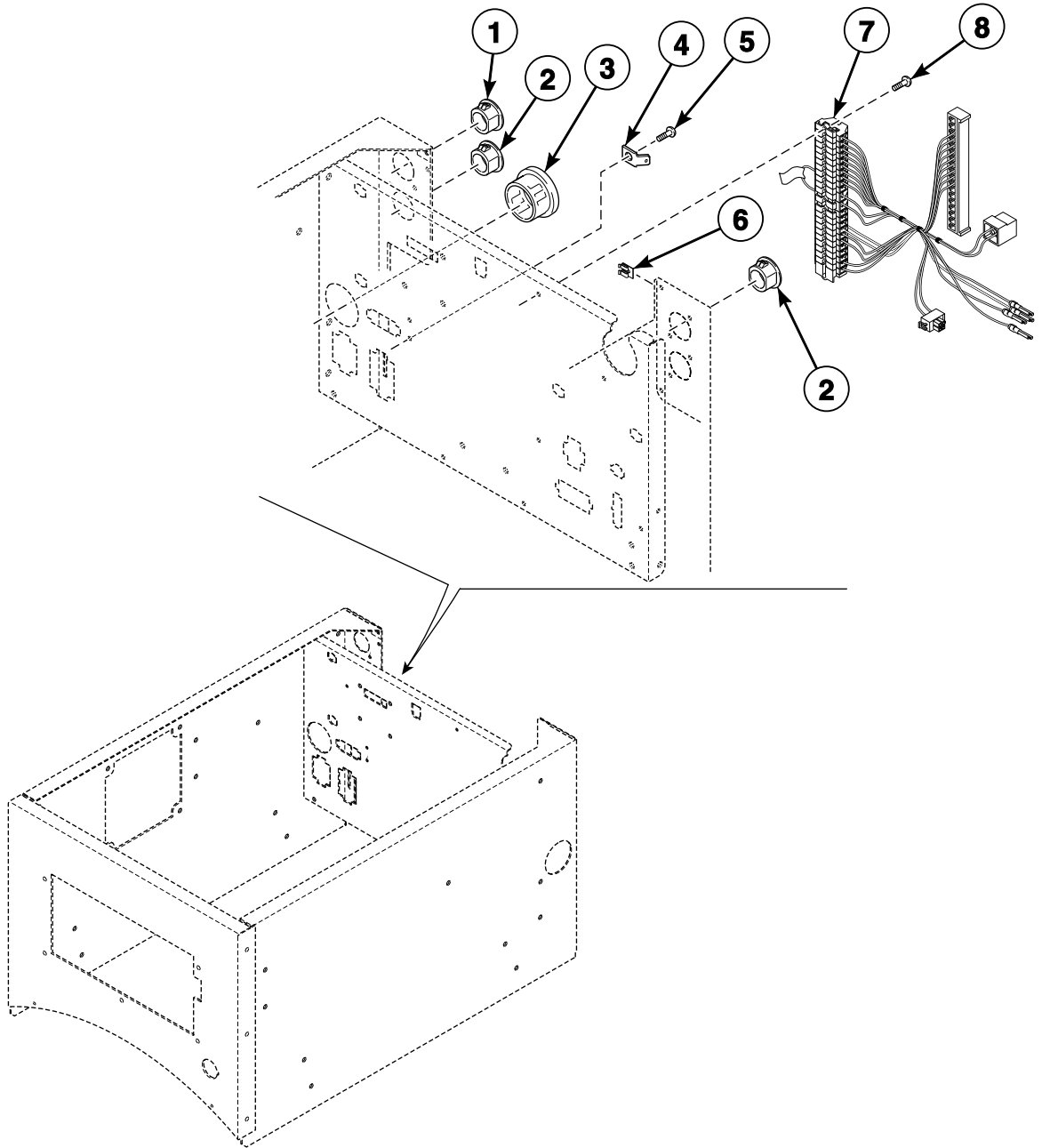


PHM3035P\_F8165501

## Control Module (Drawing 2 of 3)

REF	PART NO.	DESCRIPTION	COMMENTS
	F8028235	Temperature Configuration Harness	Models UWL035K12, UWN035K12 and UWU035K12; Heat models
	F8028239P	Temperature Configuration Harness	All other models with a K in the 7th position
	F8028108	CFG Harness	Model UW35TV and models with a T in the 7th position
	44088501P	Network Wire Harness Assembly	
	F8028401	Output Auxiliary Power Harness	
	F8060401P	Power Harness	
	F8173701P	Control Harness	Models with a 2 in the 9th position
	F8030101P	Drive Control Harness	Model UW35TV and models with an L, M or V in the 9th position
	F8158801P	Interlock Switch Harness	Models with a K in the 7th position
	F8030501P	Interlock Switch Harness	Model UW35TV and models with a T in the 7th position
	M413506	Jumper Harness Assembly	208 Volt
	M413507	Jumper Configuration Assembly	240 Volt
<b>1</b>	F8117601	Screw	Model UW35TV
	F8206901	Screw	All other models
<b>2</b>	F980P3	Control Assembly Kit	
	802493	Fuse	2.5 Amp
	802492	Fuse	5 Amp
<b>3</b>	70030501	Expansion Clip	
<b>4</b>	F8153901	Tubing	
<b>5</b>	F8246601	Tee	
<b>6</b>	F8339601	Tubing	
<b>7</b>	F8223001P	Water Pressure Switch	
<b>8</b>	F422500	Connector	
<b>9</b>	F020014200	Air Trap Hose	
<b>10</b>	F200222	Hose Clamp	No. 12
<b>11</b>	201616P	Transformer	External supply
<b>12</b>	803527P	Transformer	Machine control voltage
<b>13</b>	70346501	Bushing	
<b>14</b>	F8108501P	Output Assembly	Model UW35TV and models with a T in the 7th position
<b>15</b>	00177	Male Tab Terminal	Models through 10/3/10
<b>16</b>	M405340	Snap Bushing	Models through 10/3/10
<b>17</b>	F430948	Screw	Models through 10/3/10
<b>18</b>	F430232	Nut	
<b>19</b>	44127701	Warning Label	
<b>20</b>	F140938	Snap Bushing	Models through 10/3/10
<b>21</b>	F8079401	Network Board Bracket	
<b>22</b>	F430231	Nut	
<b>23</b>	F110110	Muffin Fan	
<b>24</b>	F220900	Filter Retainer Guard	Includes item 27
<b>25</b>	F430910	Screw	
<b>26</b>	F431210	Pop Rivet	
<b>27</b>	F200318900P	Filter	
<b>28</b>	201341	Network Board Assembly	Network models
<b>29</b>	F430903	Screw	
<b>30</b>	F8189401P	Auxiliary Control Assembly	Models with a K in the 7th position

# Control Module (Drawing 3 of 3)

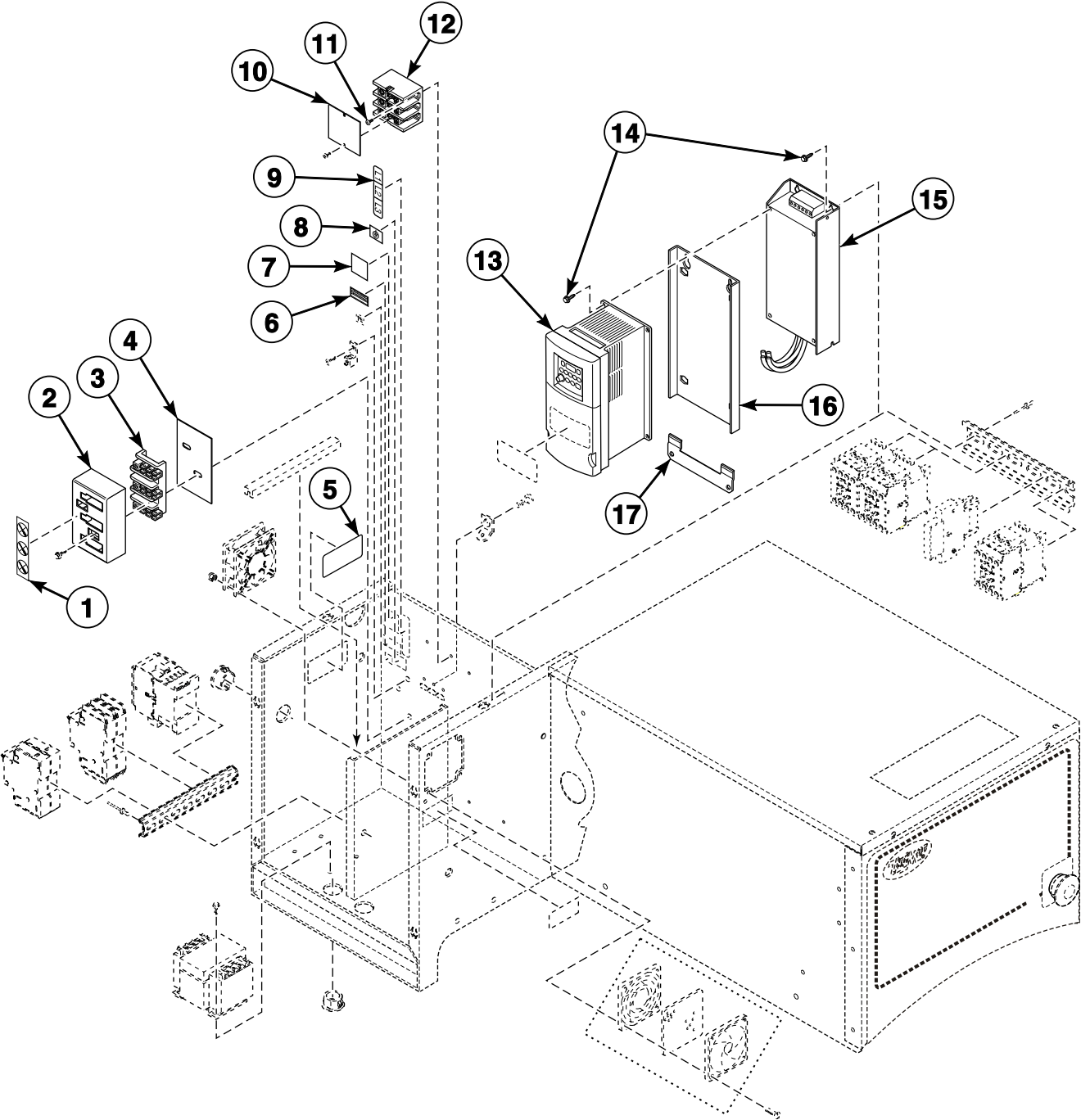


PHM3111P\_F8165501

## Control Module (Drawing 3 of 3)

REF	PART NO.	DESCRIPTION	COMMENTS
1	F180486	Cap Plug	Model UW35TV
	F8223901	Plug	All other models
2	F140527	Plug	Model UW35TV
	M400985	Plug	All other models
3	M402542	Snap Bushing	
4	00117	Female Pin Terminal	
5	51780	Screw	
6	M400984	Clip	
7	F8191201P	External Supply Harness	Models with a K in the 7th position
	F8029501P	External Supply Harness	All other models
8	F8136601	Screw	

# AC Drive Box (Drawing 1 of 2)



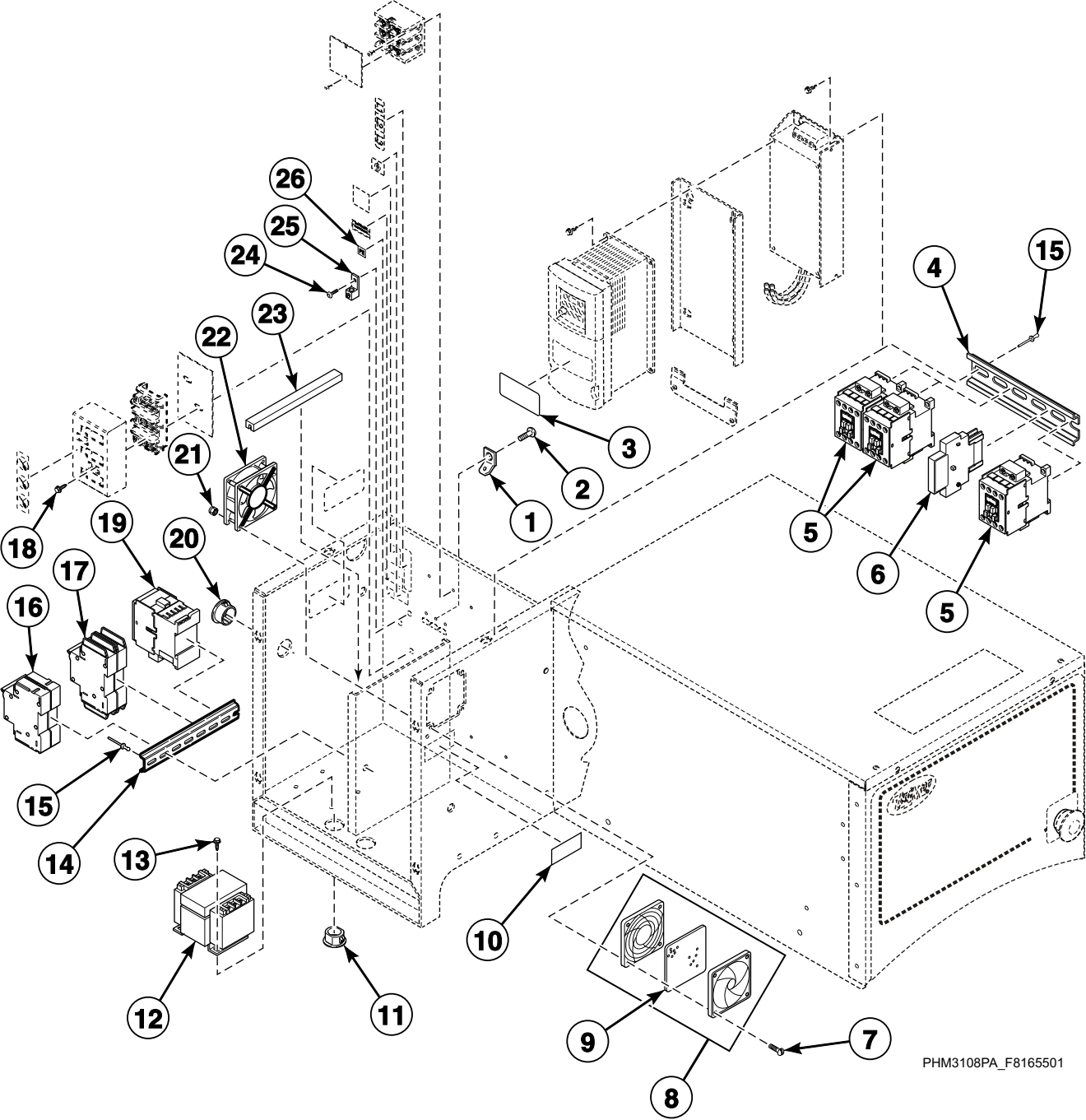
PHM3108P\_F8165501



## AC Drive Box (Drawing 1 of 2)

REF	PART NO.	DESCRIPTION	COMMENTS
	F8054601	Electric Heat Harness	Left
	F8054602	Electric Heat Harness	Middle
	F8054603	Electric Heat Harness	Right
	F8060001	Logic Supply Power Harness	
	F8028701	Output/Logic Harness	
	F8060301	Main Power Harness	
	F8054901	Electric Heat Coils Harness	KM8A
	F8054903	Electric Heat Coils Harness	KM8ABL
	F8173601P	Control Harness	Models with a 2 in the 9th position
<b>1</b>	F8345901	Do Not Tamper Label	
<b>2</b>	70333001	Terminal Block Shield	
<b>3</b>	430642	Terminal Block	
<b>4</b>	M413862	Insulator	
<b>5</b>	44127701	Warning Label	
<b>6</b>	F8242201	Use Copper Conductors Only Caution Label	
<b>7</b>	F230630	Ground Decal	
<b>8</b>	F230739	Ground Decal	
<b>9</b>	70218701	Wire Label	
<b>10</b>	44014901P	Power Distribution Block Cover	Electric heat
<b>11</b>	39733	Screw	Electric heat
<b>12</b>	M413865	Terminal Block	Electric heat
<b>13</b>	F8169601	AC Drive	Q and X-voltage
	F8169602	AC Drive	R-voltage
	F8027801P	Drive Power Harness	Model UW35TV and models with an L, M or V in the 9th position
	F8030201P	Drive Control Harness	Model UW35TV and models with an L, M or V in the 9th position
<b>14</b>	M411072	Screw	Model UW35TV
	F8206901	Screw	All other models
<b>15</b>	F8053901P	EMI Filter	CE models; Q and X-voltage; Model UW35TV and models with an L, M or V in the 9th position
	F8053902	EMI Filter	CE models; R-voltage; Model UW35TV and models with an L, M or V in the 9th position
	F8129001	EMI Filter Power Harness	Model UW35TV and models with an L, M or V in the 9th position
<b>16</b>	F8386901	Drive Mounting Bracket	Models starting 10/4/10; Used in place of item 15 on some models
<b>17</b>	F8322402	Drive Bracket	Models starting 10/4/10

# AC Drive Box (Drawing 2 of 2)

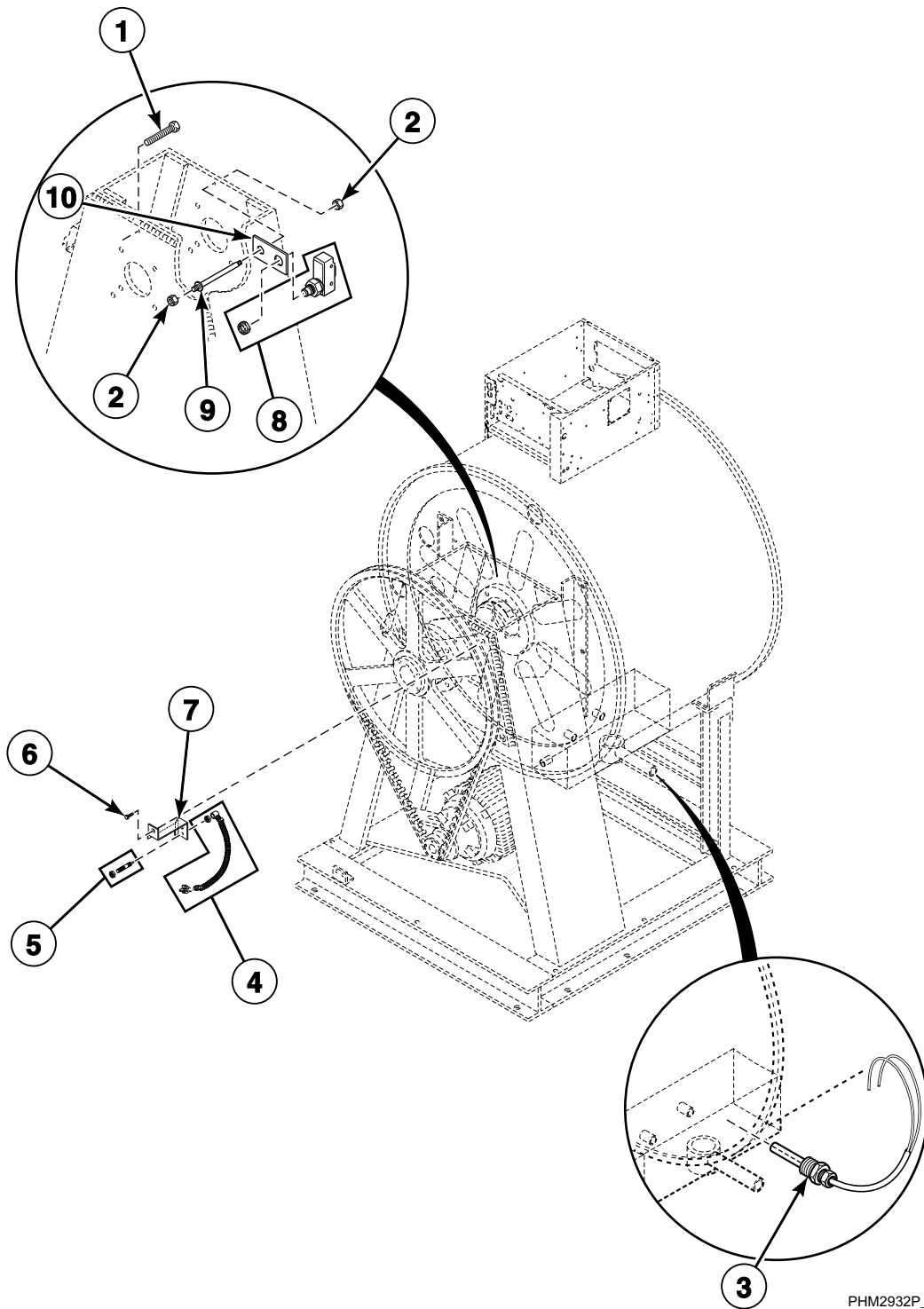


PHM3108PA\_F8165501

## AC Drive Box (Drawing 2 of 2)

REF	PART NO.	DESCRIPTION	COMMENTS
1	M411283	Ground Lug Connector	
2	F430903	Screw	
3	F8115501	Electric Shock Danger Label	
4	F8200101	DIN Rail	Models with a 2 in the 9th position
5	F330177P	Contactora	C16; Models with a 2 in the 9th position
	44136801	Reversing Contactora Jumper Assembly	Upper; Models with a 2 in the 9th position
	F8131801	Reversing Contactora Harness	Lower; Models with a 2 in the 9th position
	F8202001P	Contactora Power Harness	Models with a 2 in the 9th position
6	F330186P	Interlock Contactora	Models with a 2 in the 9th position
7	F8151201	Screw	Model UW35TV and models with an L, M or V in the 9th position
8	F220900	Filter Retainer Guard	Includes item 5; Model UW35TV and models with an L, M or V in the 9th position
9	F200318900P	Filter	Model UW35TV and models with an L, M or V in the 9th position
10	F200061000	Clean Filter Daily Decal	
11	F8144101	Plug	Model UW35TV
	F8223901	Plug	All other models
12	F360157P	Transformer	R-voltage; Model UW35TV and models with an L, M or V in the 9th position
13	M411072	Screw	Model UW35TV and models with an L, M or V in the 9th position
14	F8134001	DIN Rail	Model UW35TV and models with an L, M or V in the 9th position
15	70058501	Pop Rivet	
16	F8303001P	Circuit Breaker	R-voltage; Electric heat; Model UW35TV and models with an L, M or V in the 9th position
	70256901P	Circuit Breaker	Q and R-voltage; Electric heat; Model UW35TV and models with an L, M or V in the 9th position
	F8030001	Harness	Used with F350216 Circuit Breaker; Model UW35TV and models with an L, M or V in the 9th position
	F8030002P	Harness	Used with F350216 Circuit Breaker; Model UW35TV and models with an L, M or V in the 9th position
	F8405101	Step Down Power Harness	Used with 70256901P Circuit Breaker; Model UW35TV and models with an L, M or V in the 9th position
17	F8303001P	Circuit Breaker	R-voltage; Model UW35TV and models with an L, M or V in the 9th position
18	M412105	Screw	Model UW35TV
	51783	Screw	All other models
19	F330188P	Contactora	NX208; Q and R-voltage; Electric heat; Model UW35TV and models with an L, M or V in the 9th position
20	M402542	Snap Bushing	Model UW35TV
	F8223801	Hole Plug	All other models
21	F430231	Nut	Model UW35TV and models with an L, M or V in the 9th position
22	F110110	Muffin Fan	Model UW35TV and models with an L, M or V in the 9th position
	F8113901	Drive Fan Harness	Model UW35TV and models with an L, M or V in the 9th position
23	F8152703	Trim	
24	51780	Screw	
25	00177	Male Tab Terminal	
26	M412096	Earth Terminal Sticker	

# Balance Switch, Temperature Probe and Rotation Sensor

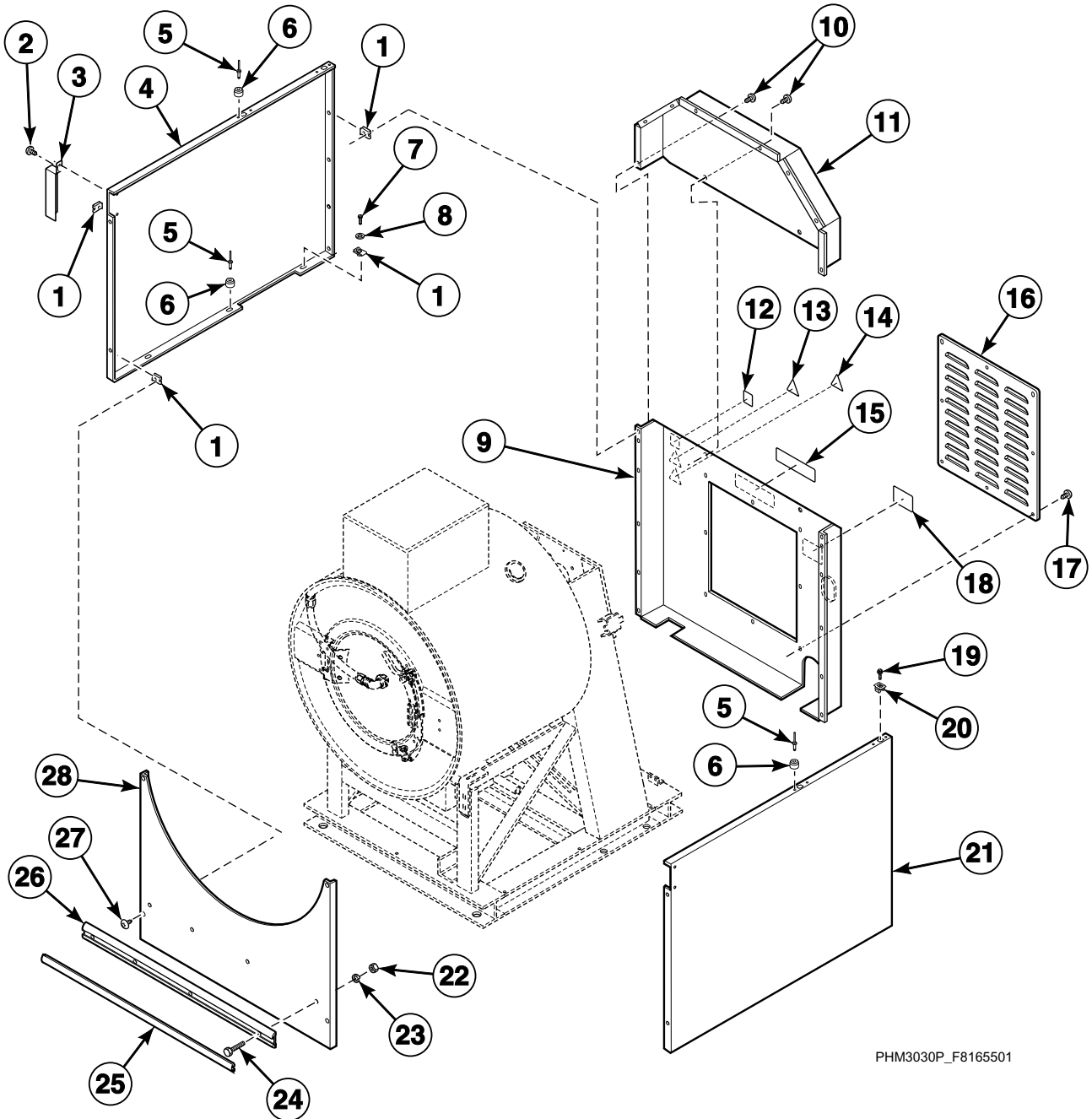


PHM2932P\_F8165501

## Balance Switch, Temperature Probe and Rotation Sensor

REF	PART NO.	DESCRIPTION	COMMENTS
1	F8111101	Screw	
2	44087301	Nut	
3	F370609	Thermistor Sensor	
	F421936	Reducer Bushing	
	F8028221P	Temperature Harness	Electric heat
	F8028223	Temperature Harness	Standard
4	F8066401	Rotation Sensor Harness	
5	F8066201	Rotation Sensor	
6	M409385	Screw	
7	F8103101	Rotation Sensor Bracket	
8	F8165201	Door Switch	
9	F8122701	Screw	
10	F8124301	Balance Switch Bracket	

# Panels

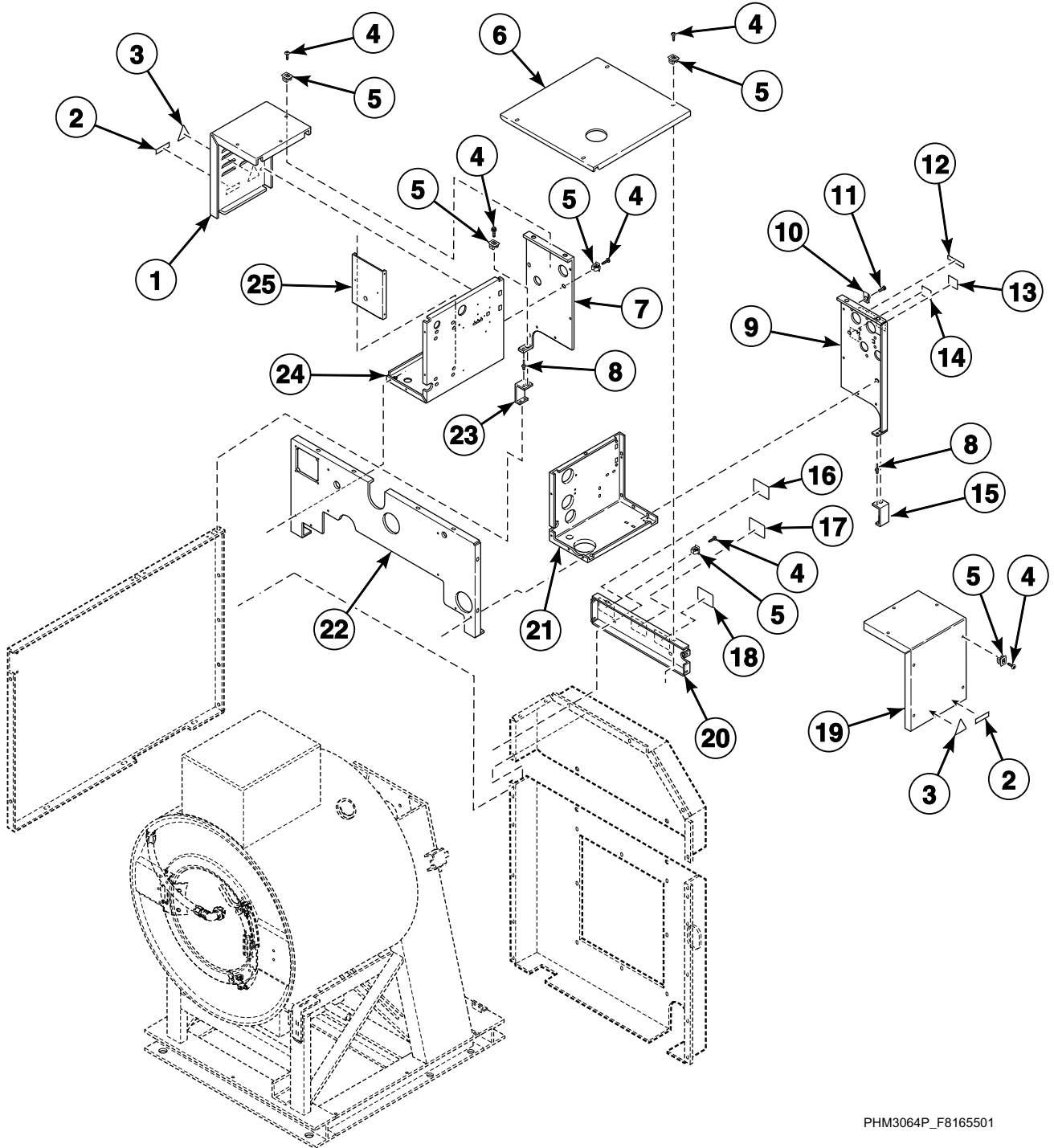


PHM3030P\_F8165501

# Panels

REF	PART NO.	DESCRIPTION	COMMENTS
1	F430264	Nut	
2	F430956	Screw	
3	F8098302	Side Panel Cover	
4	F8079502	Left Side Panel	
5	M412763	Rivet	
6	56079	Panel Locator	
7	20253	Screw	
8	M405535	Washer	
9	F8244001	Lower Belt Guard Assembly	
10	F8117601	Screw	Model UW35TV
	F8206901	Screw	All other models
11	F8243901	Upper Belt Guard Assembly	
12	F200318200	Cover Decal	Model UW35TV
13	70360901	Belt Edging	Model UW35TV
14	502511	Electrical Shock Label	Model UW35TV
15	44127701	Warning Label	
16	F8117501	Belt Access Guard Panel	
17	70240301	Screw	
18	F8246401	Mount on Concrete Warning Label	
19	M411072	Screw	
20	70030501	Expansion Clip	
21	F8079501	Right Side Panel	
22	F430211	Nut	
23	F431100	Washer	
24	F430921	Screw	
25	F150397	Extrusion Insert	Order 4 feet
26	F150407	Rub Rail	
27	70182601	Screw	
28	F8070801	Front Panel	

# Drive Box and Water Supply Box - Models Through 10/3/10



PHM3064P\_F8165501



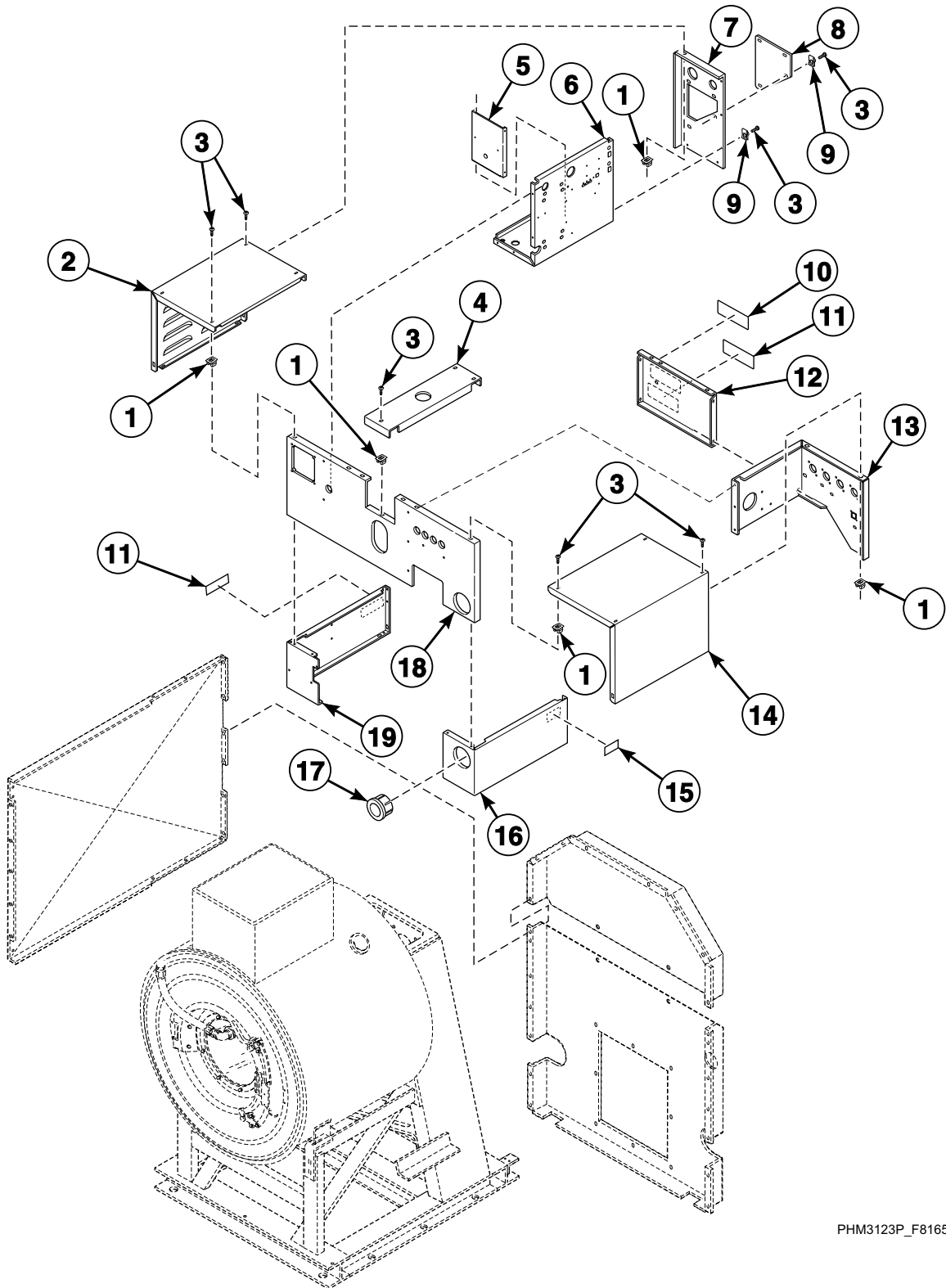
## Drive Box and Water Supply Box - Models Through 10/3/10

REF	PART NO.	DESCRIPTION	COMMENTS
1	F8077202	Left Side Cover	Model UW35TV
	F8278102	Left Side Cover	All other models
2	F8233501	Warning Label	
3	502511	Electrical Shock Label	Model UW35TV
4	F8117601	Screw	Model UW35TV
	F8206901	Screw	All other models
5	70030501	Expansion Clip	
6	F8076801	Top Center Panel	
7	F8118302	Rear Drive Box Panel	Model UW35TV
	F8278202	Drive Box Rear Panel	All other models
8	70058501	Pop Rivet	
9	F8118301	Rear Water Box Panel	Model UW35TV
	F8278201	Water Box Rear Panel	All other models
10	F430264	Nut	
11	20253	Screw	
12	F230734	Water Line Caution Decal	Model UW35TV
13	N/A	Cold Water Label	Model UW35TV
14	N/A	Hot Water Label	Model UW35TV
15	F8302601	Support Bracket	
16	F8099701	Conversion Label	200-208 VAC
	F8099801	Conversion Label	380-415 VAC
17	44127701	Warning Label	
18	F8211901	Hot Surface Warning Plate	
19	F8077201	Right Side Cover	Model UW35TV
	F8278101	Right Side Cover	All other models
20	F8076901	Top Support Brace	
21	F8078601	Water Box Side/Front	Model UW35TV
	F8278401	Water Box Bottom Panel	All other models
22	F8079801	Front Box Cover	Model UW35TV
	F8283301	Front Bulkhead Panel	All other models
23	F8302602	Support Bracket	
24	F8077401	Control Box Bottom	Model UW35TV
	F8282401	Drive Box Bottom Panel	All other models
25	F8077601	Control Box Partition	

N/A = Part no longer available

# Drive Box and Water Supply Box - Models Starting 10/4/10

UWL, UWN and UWU Models

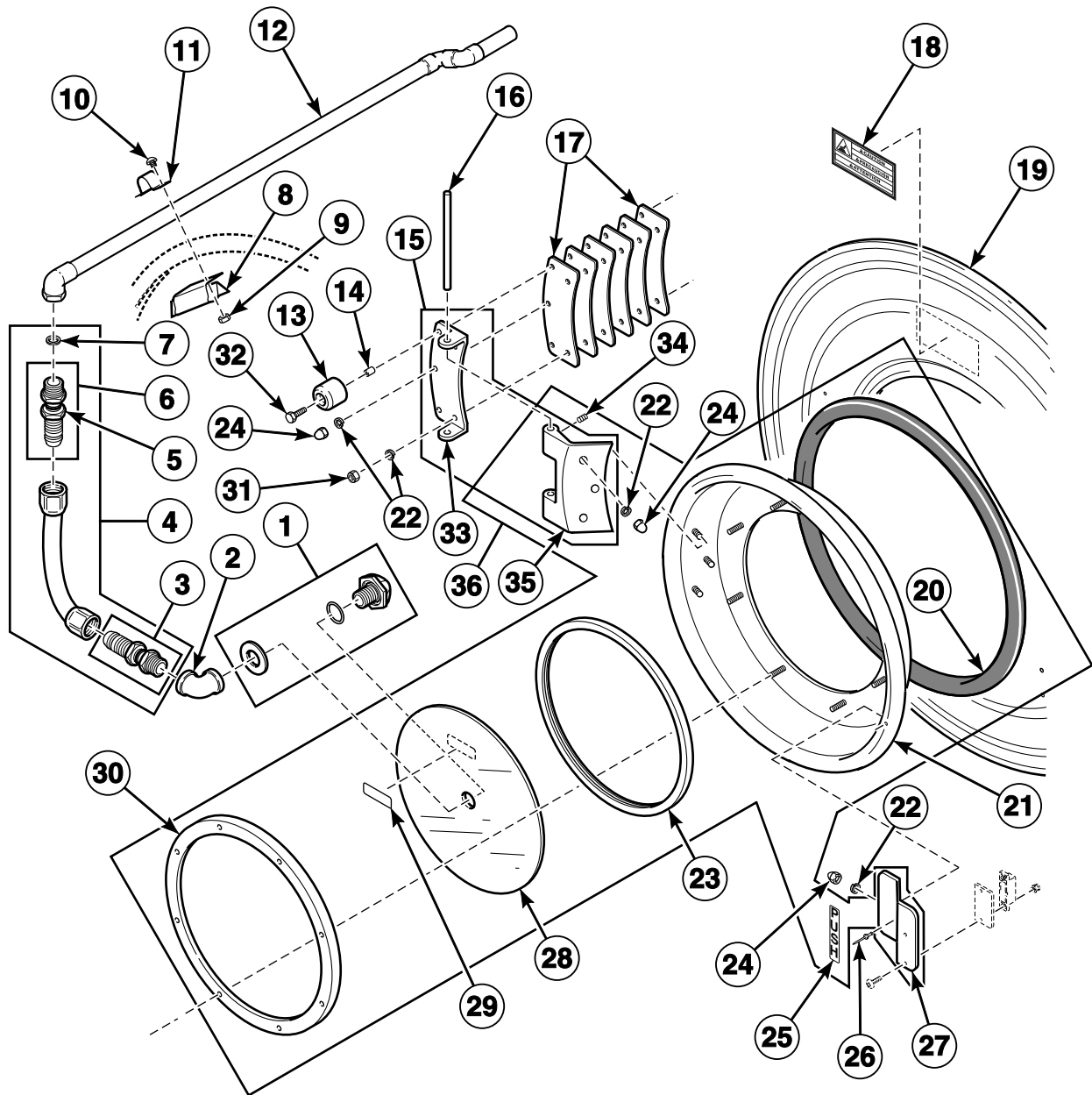


PHM3123P\_F8165501

## Drive Box and Water Supply Box - Models Starting 10/4/10

REF	PART NO.	DESCRIPTION	COMMENTS
1	70030501	Expansion Clip	
2	F8352602	Left Side Cover	
3	F8206901	Screw	
4	F8353101	Top Center Panel	
5	F8351801	Control Box Partition	
6	F8346401	Drive Mounting Box	
7	F8352401	Back Electrical Panel	
8	F8359201	Electrical Access Panel	
9	F430264	Nut	
10	F8099701	Conversion Label	200-208 VAC
	F8099801	Conversion Label	380-415 VAC
11	44127701	Warning Label	
12	F8353201	Center Back Panel	
13	F8346301	Back Water Panel	
14	F8352601	Right Side Cover	
15	F8233501	Warning Label	Shock
16	F8359002	Side Water Box Panel	
17	F8332501	Snap Bushing	
18	F8353001	Front Bulkhead Panel	
19	F8352501	Side Electrical Panel	

# Door and Spray Tube Assembly - Models Through 10/3/10



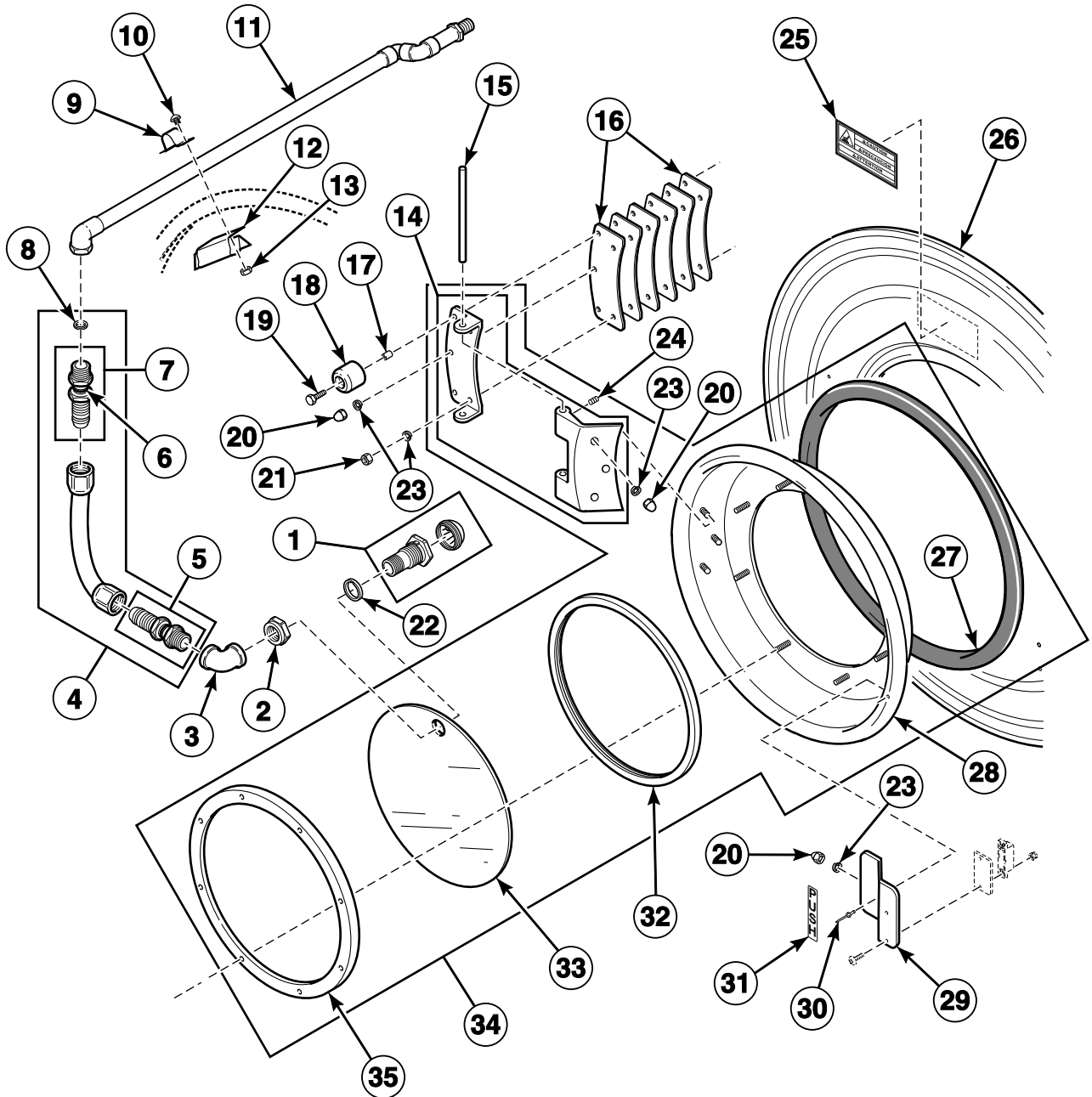
PHM2939P\_F8165501

## Door and Spray Tube Assembly - Models Through 10/3/10

REF	PART NO.	DESCRIPTION	COMMENTS
1	F730077	Spray Rinse Nozzle Kit	Model UW35TV and models with a 3 in the 8th position
2	F422319	Elbow	Model UW35TV and models with a 3 in the 8th position
3	F422109	No-Swivel Coupling	Model UW35TV and models with a 3 in the 8th position
4	F730025	Spray Rinse Hose Kit	Includes items 3 and 5-7; Model UW35TV and models with a 3 in the 8th position
5	F170201	O-Ring	Model UW35TV and models with a 3 in the 8th position
6	F422108	Swivel Coupling	Model UW35TV and models with a 3 in the 8th position
7	F310206	Ring Retainer	Model UW35TV and models with a 3 in the 8th position
8	F602901P	Spray Rinse Bracket Assembly	Includes items 9 and 10; Model UW35TV and models with a 3 in the 8th position
9	F431022	Nut	Model UW35TV and models with a 3 in the 8th position
10	F430917	Screw	Model UW35TV and models with a 3 in the 8th position
11	F602880	Spray Rinse Strap	Model UW35TV and models with a 3 in the 8th position
12	F8126201	Spray Pipe Assembly	Model UW35TV and models with a 3 in the 8th position
13	F150366	Door Bumper Moulding	
14	F430416	Door Bumper Bushing	
15	F200030600P	Door Hinge Strap Kit	Includes items 33 and 35
16	F601815	Door Hinge Pin	
17	F0610695-00	Door Butt Shim	
18	F200085000	Hot Surface Warning Decal	
19	F741305	Shell Front Kit	
20	F170143	Door Gasket	Black
	F017014301	Door Gasket	Gray
21	F630315	Stud Weldment	
22	F431100	Washer	
23	F170112	Door Glass Gasket	
24	F431026	Nut	
25	F230303	Push Decal	
26	F431210	Pop Rivet	
27	F746201-1	Push Handle Kit	Includes item 25, F340703 Magnet, F430231 Nut, F430916 Screw, F431108 Washer, F431125 Washer, F603683 Door Push Brace and F605638 Door Push Handle
28	F290203P	Glass	Models with a 1 in the 8th position
	F290202P	Glass Kit	All other models
29	F230652	Clockwise Spin Rotation Decal	
30	F320100	Retainer Ring Spinning	
31	F431005	Nut	
32	F430103	Screw	
33	F200030600	Door Hinge Strap	
34	F430502	Screw	
35	F200030700	Door Butt Hinge	
36	F200119400	Door Assembly	Includes items 20-24, 27, 28, 30, 33 and 34; Models with a 1 in the 8th position
	F200119500P	Door Assembly	Includes items 20-25, 27-30, 34 and 35; All other models

# Door and Spray Tube Assembly - Models Starting 10/4/10

UWL, UWN and UWU Models

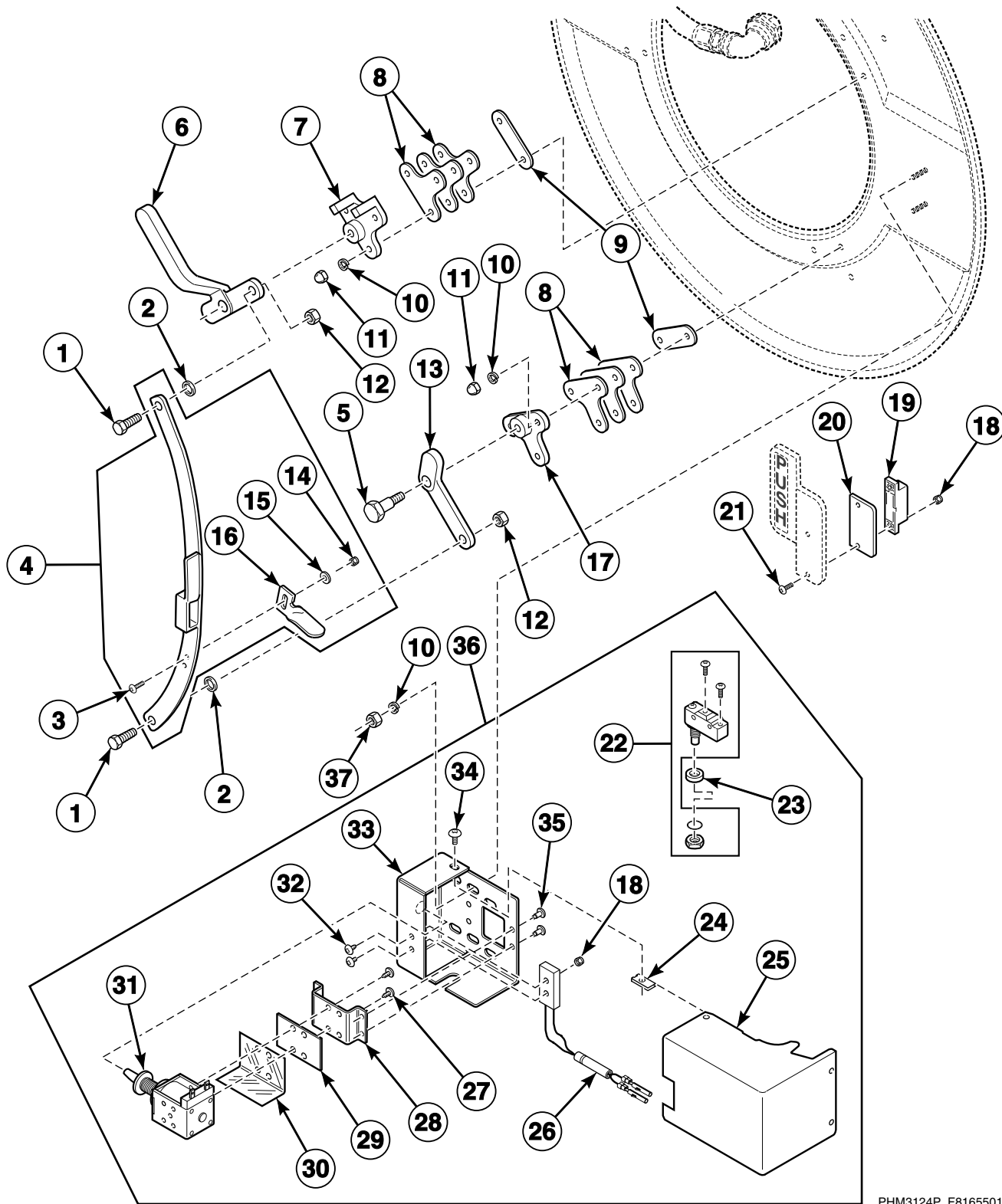


PHM3113P\_F8165501

## Door and Spray Tube Assembly - Models Starting 10/4/10

REF	PART NO.	DESCRIPTION	COMMENTS
1	F8356301	Door Spray Nozzle Assembly	Models UWL035T3V, UWN035T3V and UWU035T3V
2	F8322601	Nut	Models UWL035T3V, UWN035T3V and UWU035T3V
3	F422319	Elbow	Models UWL035T3V, UWN035T3V and UWU035T3V
4	F8379601	Spray Rinse Hose Assembly	Includes items 5-8; Models UWL035T3V, UWN035T3V and UWU035T3V
5	F422109	No-Swivel Coupling	Models UWL035T3V, UWN035T3V and UWU035T3V
6	F170201	O-Ring	Models UWL035T3V, UWN035T3V and UWU035T3V
7	F422108	Swivel Coupling	Models UWL035T3V, UWN035T3V and UWU035T3V
8	F310206	Ring Retainer	Models UWL035T3V, UWN035T3V and UWU035T3V
9	F602880	Spray Rinse Strap	Models UWL035T3V, UWN035T3V and UWU035T3V
10	F430917	Screw	Models UWL035T3V, UWN035T3V and UWU035T3V
11	F8126201	Spray Pipe Assembly	Models UWL035T3V, UWN035T3V and UWU035T3V
12	F602901P	Spray Rinse Bracket Assembly	Includes items 10 and 13; Models UWL035T3V, UWN035T3V and UWU035T3V
13	F431022	Nut	Models UWL035T3V, UWN035T3V and UWU035T3V
14	F200030600P	Door Hinge Strap Kit	Includes item 35
15	F601815	Door Hinge Pin	
16	F0610695-00	Door Butt Shim	
17	F430416	Door Bumper Bushing	
18	F150366	Door Bumper Moulding	
19	F430103	Screw	
20	F431026	Nut	
21	F431005	Nut	
22	F8322701	Spray Nozzle Gasket	Models UWL035T3V, UWN035T3V and UWU035T3V
23	F431100	Washer	
24	F430502	Screw	
25	F200085000	Hot Surface Warning Decal	
26	F741305	Shell Front Kit	
27	F170143	Door Gasket	Black
	F017014301	Door Gasket	Gray
28	F730307	Door Kit	Studded
29	F746201-1	Push Handle Kit	Includes item 31, F340703 Magnet, F430231 Nut, F430916 Screw, F431108 Washer, F431125 Washer, F603683 Door Push Brace and F605638 Door Push Handle
30	F431210	Pop Rivet	
31	F230303	Push Decal	
32	F170112	Door Glass Gasket	
33	F8350801	High Hole Glass	Models UWL035T3V, UWN035T3V and UWU035T3V
	F290203P	Glass	All other models
34	F8353301	Door Assembly	Models UWL035T3V, UWN035T3V and UWU035T3V; Includes items 20, 22-24, 27-29, 32 and 33
	F200119400	Door Assembly	All other models; Includes items 14, 20, 22, 23, 25-27, 29-31 and 33
35	F320100	Retainer Ring Spinning	

# Door Lock



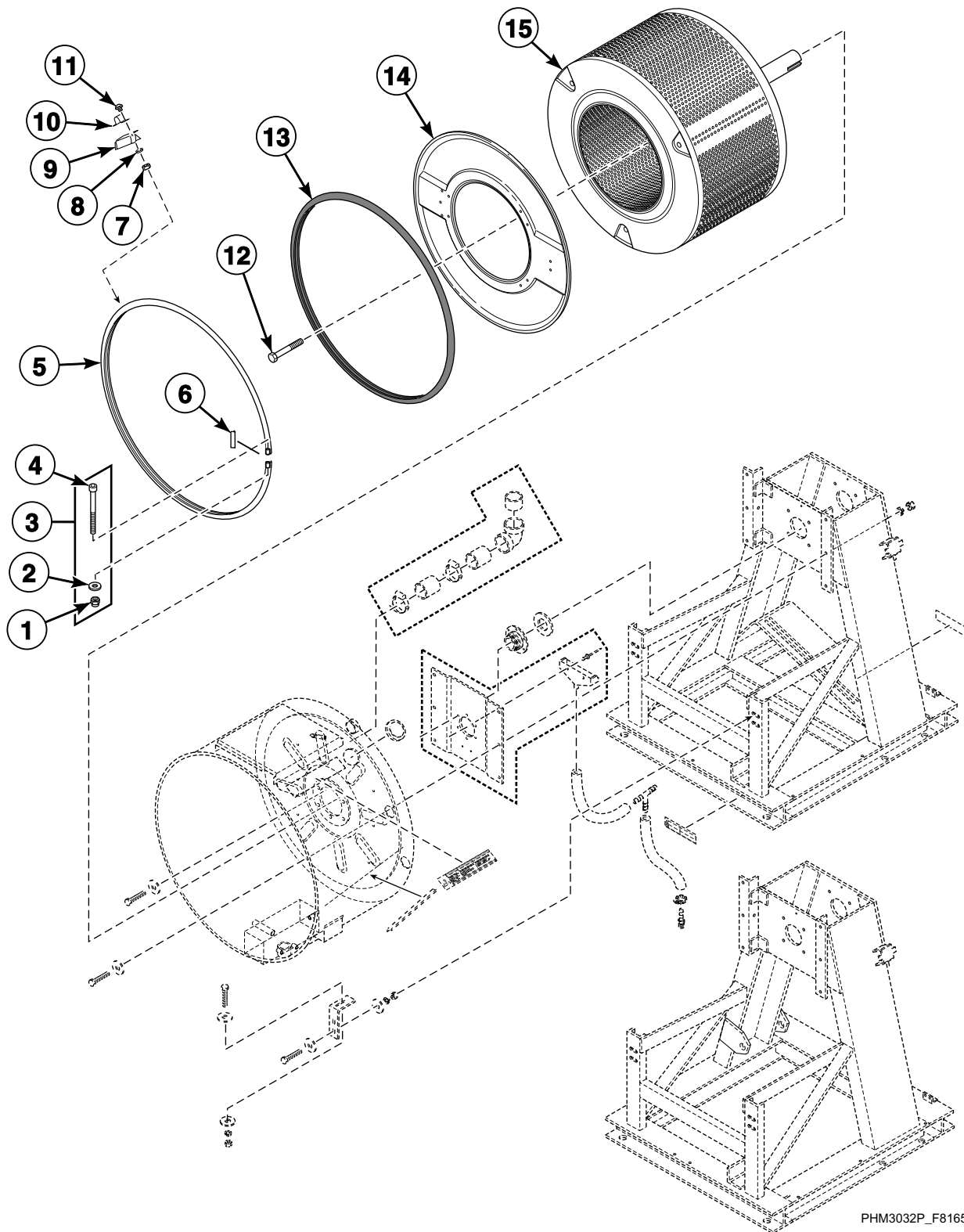
PHM3124P\_F8165501



# Door Lock

REF	PART NO.	DESCRIPTION	COMMENTS
	F8029102	Door Lock Harness	Models with a 2 in the 9th position
	F8029101	Door Lock Harness	All other models
1	F430927	Screw	
2	F431118	Washer	
3	F430916	Screw	
4	F746800	Extension Arm Kit	Includes items 1-3, 12 and 14-16
5	F430168	Screw	
6	F150203	Door Handle Casting	
7	F150201P	Top Latch Bracket Casting	
8	F602058	Door Latch Bracket Shim	
9	F631989	Door Bracket Latch Shim	
10	F431100	Washer	
11	F431026	Nut	
12	F430202	Nut	
13	F150204	Lower Door Latch Casting	
14	F430231	Nut	
15	F431108	Washer	
16	F601639	Extension Arm Tab	
17	F150202	Lower Door Latch Bracket Casting	
18	F430231	Nut	
19	F8390801	Magnet	
20	F609822	Handle Spacer	
21	F430909	Screw	
22	F8165201	Door Switch	CE models
	F340900	Interlock Switch	All other models
23	F601055	Interlock Switch Spacer	
24	F430264	Nut	
25	F8132001	Door Lock Cover	
26	F8066801P	Reed Switch Assembly	
27	F430995	Screw	
28	F8127501	Solenoid Mount Bracket	
29	F8133601	Door Lock Solenoid Shim	
30	F8135301	Door Lock Dielectric Shield	
31	F300129P	Door Lock Solenoid	
32	F430917	Screw	
33	F8127401	Lock Bracket	
34	F430956	Screw	
35	F431210	Pop Rivet	
36	F8127702	Door Lock Assembly	Includes items 18 and 22-35
37	802337	Nut	

# Basket

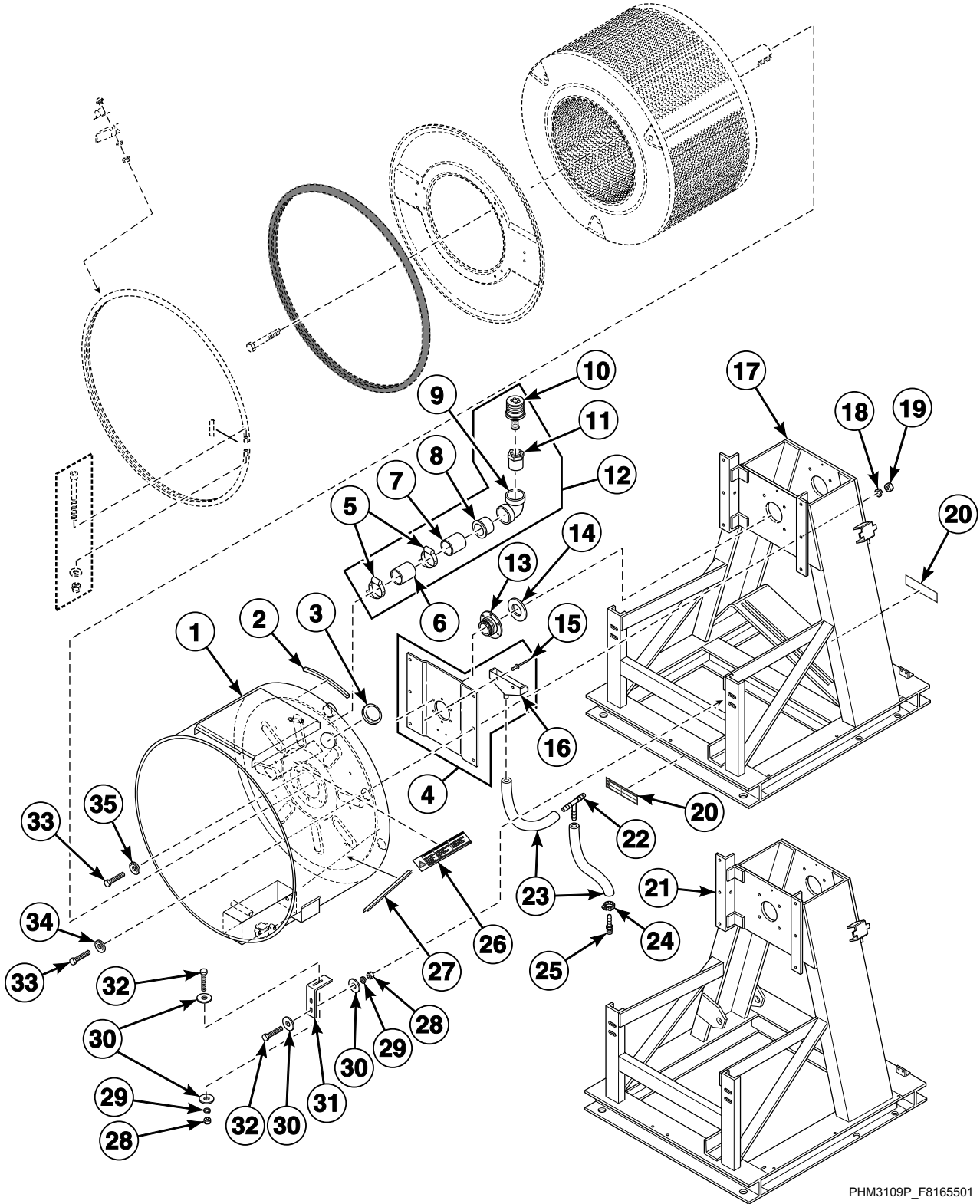


PHM3032P\_F8165501

# Basket

REF	PART NO.	DESCRIPTION	COMMENTS
1	F430215	Nut	
2	F430317	Washer	
3	F791001	Shell Band Fastener Kit	Includes items 1, 2 and 4
4	F430518	Screw	
5	F741701	Shell Band Kit	Includes items 1, 2 and 4
6	F601216	Shell Gasket Shield	
7	F431022	Nut	
8	F431113	Washer	
9	F602901P	Spray Rinse Bracket Assembly	
10	F602880	Spray Rinse Strap	
11	F430917	Screw	
12	70391101	Screw	
13	F8513501	Shell Front Gasket Kit	
14	F200119800	Shell Front Assembly	Includes F0602058-00 Door Latch Bracket Shim, F0610695-00 Door Butt Shim, F150201 Top Latch Bracket Casting, F150202 Lower Door Latch Bracket Casting, F200030700 Door Butt Hinge, F431005 Nut, F431062 Nut, F43100 Washer, F631989 Door Bracket Latch Shim, and F8135701 Shell Front Weldment
15	F604377	Basket Assembly	

# Shell and Frame - Models Through 10/3/10



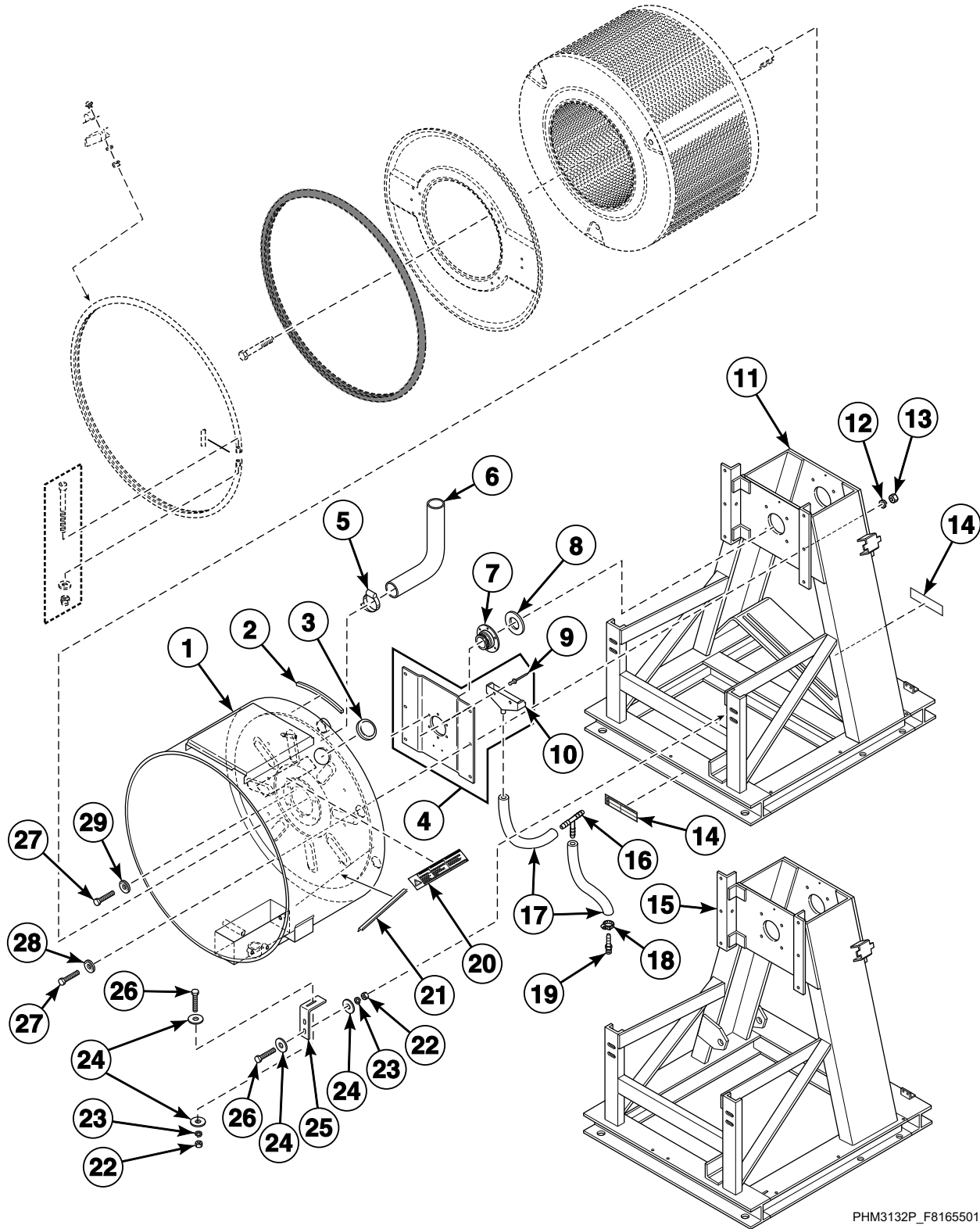
PHM3109P\_F8165501

## Shell and Frame - Models Through 10/3/10

REF	PART NO.	DESCRIPTION	COMMENTS
1	F8081301	Shell Weldment	Standard
	F8081302	Shell Weldment	Electric heat
2	F170404	Trim	4 feet required
3	F0200237-00	Plug	
4	F8084101	Shell Reinforcement Plate	Includes items 15 and 16
5	F200215	Hose Clamp	
6	F8124601	Vent Hose	
7	F610155	Pipe	
8	F8162901	Bushing	
9	F422900	Elbow	
10	F422508	Adapter	
11	F380117	Vacuum Breaker	
12	F8123301	Vent Assembly	Includes items 5-11
13	F8162101	Face Seal	Standard
	F8162201	Face Seal	Viton
	F798819-00	Seal Kit	Includes items 14, 33, 34, F410102 Clear Sealant, F431210 Pop Rivet, F430215 Nut, F430317 Washer, F430518 Screw and F170120RP Shell Band Gasket
14	F100203	Slinger	
15	F431215	Pop Rivet	
16	F150389	Scupper	
17	F8084801	Frame Weldment	Model UW35TV and models with an L, M or V in the 9th position
18	M400013	Washer	
19	N/A	Nut	
20	44127701	Warning Label	Models starting 6/1/09
21	F8166001	Frame Weldment	Models with a 2 in the 9th position
22	F8137401	Tee	
23	F200107P	Water Hose	
24	36801	Hose Clamp	No. 6
25	F421929	Hose Barb	
26	F200085500	Moving Parts Plug Warning Decal	
27	F150364	Drip Rail	
28	20274	Nut	
29	M400014	Washer	
30	M400081	Washer	
31	F601806	Shell Mounting Bracket	
32	F430924	Screw	
33	F430913	Screw	
34	F431116	Washer	
35	F431112	Washer	

N/A = Part no longer available

# Shell and Frame - Models Starting 10/4/10



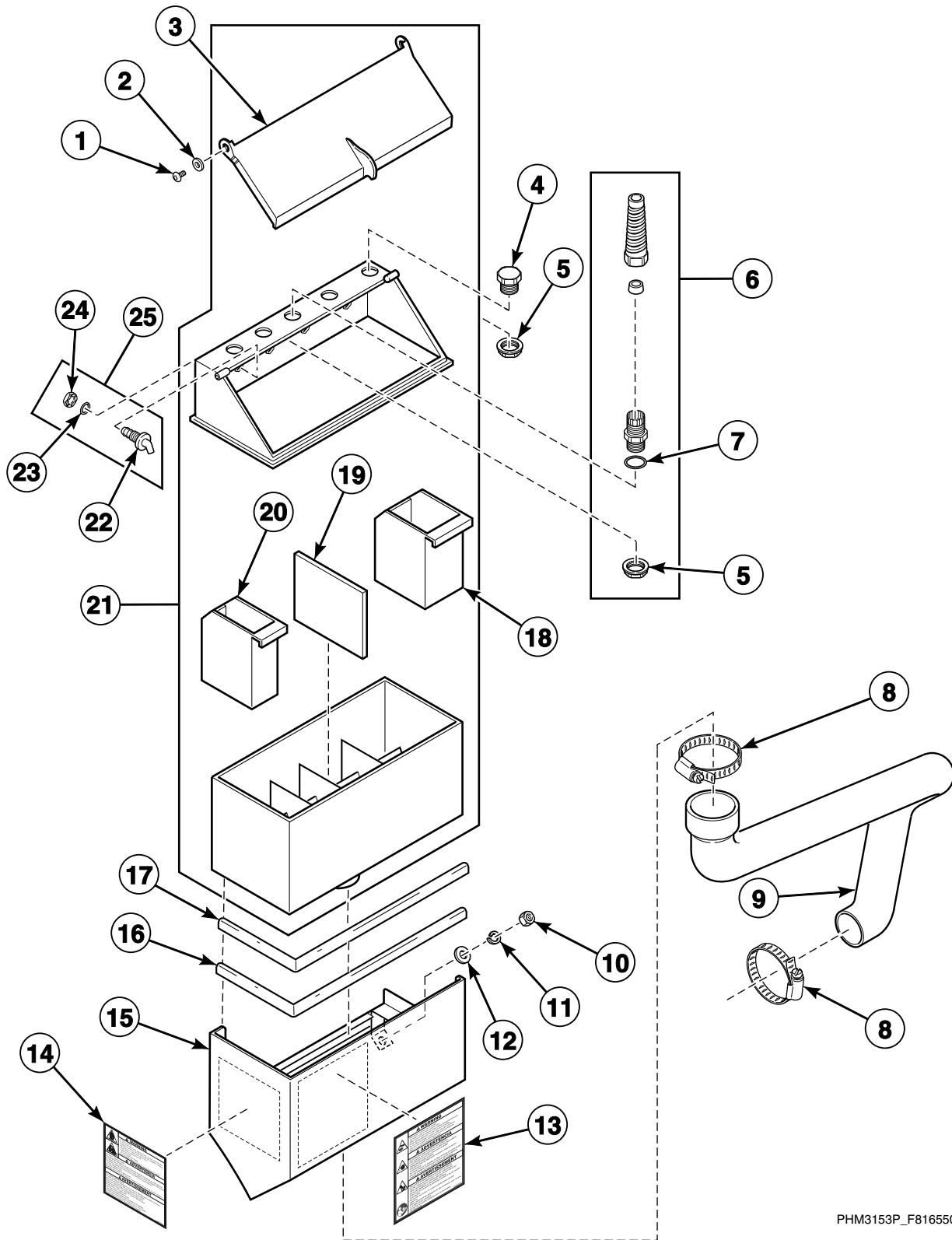
PHM3132P\_F8165501

## Shell and Frame - Models Starting 10/4/10

REF	PART NO.	DESCRIPTION	COMMENTS
1	F8366001	Shell Weldment	Standard
	F8366002	Shell Weldment	Electric heat
2	F170404	Trim	4 feet required
3	F0200237-00	Plug	
4	F8084101	Shell Reinforcement Plate	Includes items 9 and 10
5	F200215	Hose Clamp	
6	F8363601	Vent Hose	
7	F8162101	Face Seal	Standard
	F8162201	Face Seal	Viton
	F798819-00	Seal Kit	Includes items 8, 27, 28, F410102 Clear Sealant, F431210 Pop Rivet, F430215 Nut, F430317 Washer, F430518 Screw and F170120RP Shell Band Gasket
8	F100203	Slinger	
9	F431215	Pop Rivet	
10	F150389	Scupper	
11	F8380702	Frame Weldment	Model with an L, M or V in the 9th position
12	M400013	Washer	
13	N/A	Nut	
14	44127701	Warning Label	Models starting 6/1/09
15	F8380701	Frame Weldment	Models with a 2 in the 9th position
16	F8137401	Tee	
17	F200107P	Water Hose	
18	36801	Hose Clamp	No. 6
19	F421929	Hose Barb	
20	F200085500	Moving Parts Plug Warning Decal	
21	F150364	Drip Rail	
22	20274	Nut	
23	M400014	Washer	
24	M400081	Washer	
25	F601806	Shell Mounting Bracket	
26	F430924	Screw	
27	F430913	Screw	
28	F431116	Washer	
29	F431112	Washer	

N/A = Part no longer available

# Supply Dispenser



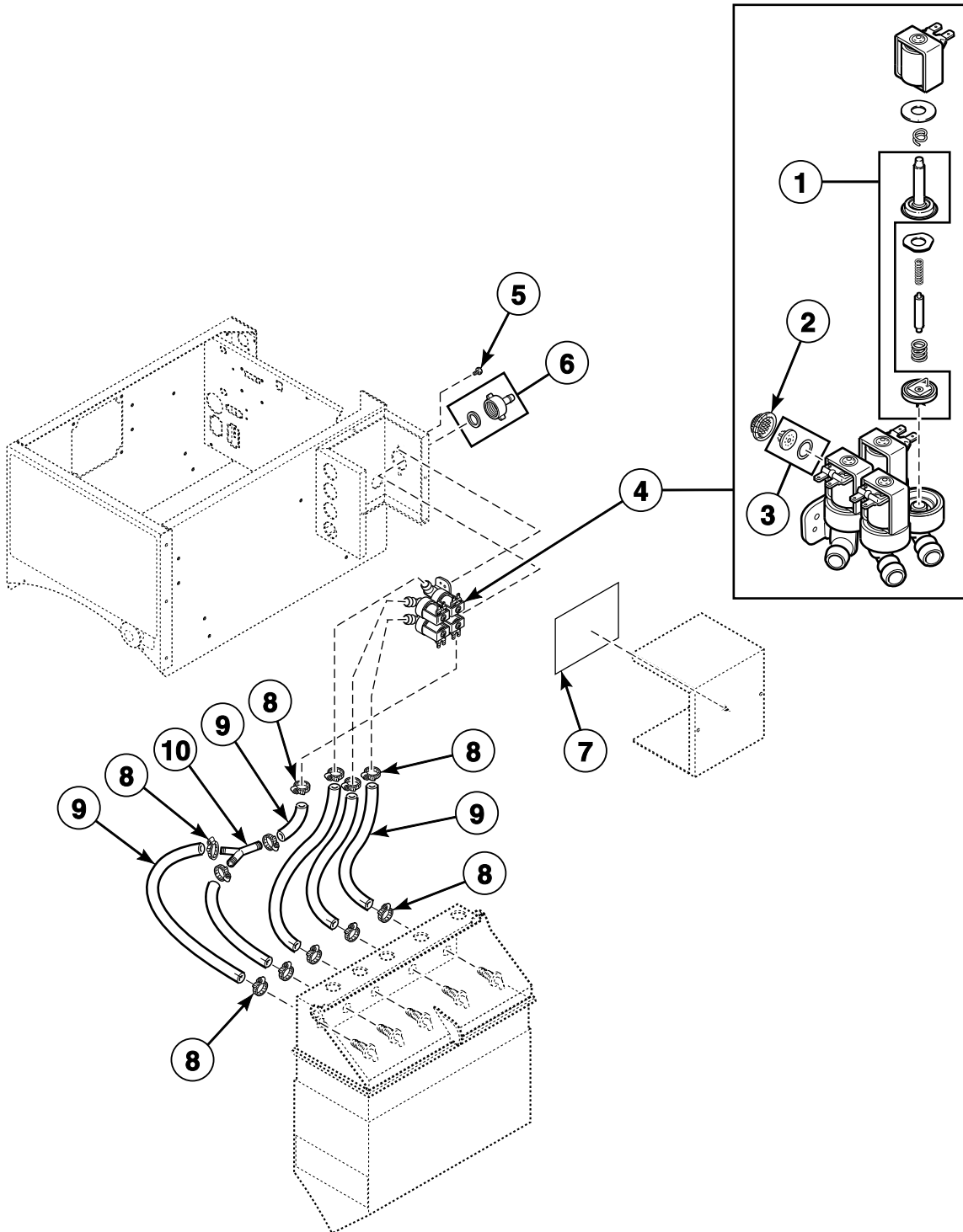
PHM3153P\_F8165501



# Supply Dispenser

REF	PART NO.	DESCRIPTION	COMMENTS
1	F430917	Screw	
2	F431133	Washer	
3	F0150514-00	Dispenser Lid	
4	F190304	Plug Cap	
5	F140340P	Strain Relief Connector	
6	F749802	Strain Relief Adapter Kit	Includes items 5 and 7
7	F170215	O-Ring	
8	F200213	Hose Clamp	No. 40
9	F150478	Chemical Supply Hose	
10	F431005	Nut	
11	F431100	Washer	
12	F431147	Washer	
13	F200085300	Hot Water and Chemical Caution Decal	
14	F200085100	Spin Warning Decal	
15	F8024302	Soap Dispenser Shroud Weldment	
16	F170158P	Gasket	
17	F170400RP	Trim	
18	F150386	Chemical Supply Cup	32 ounce; 2 used
19	F0150525-00	Supply Dispenser Spacer	
20	F150385	Chemical Supply Cup	20 ounce; 3 used
21	F0150512-00P	Dispenser Assembly	Includes items 3 and 18-20
22	F8322001	Injection Nozzle	
23	F170208	O-Ring	
24	802292	Nut	
25	F730168	Injection Nozzle Kit	Includes items 22-24

# Water Supply Valve and Hoses to Supply Dispenser - Models Through 10/3/10



PHM3037P\_F8165501

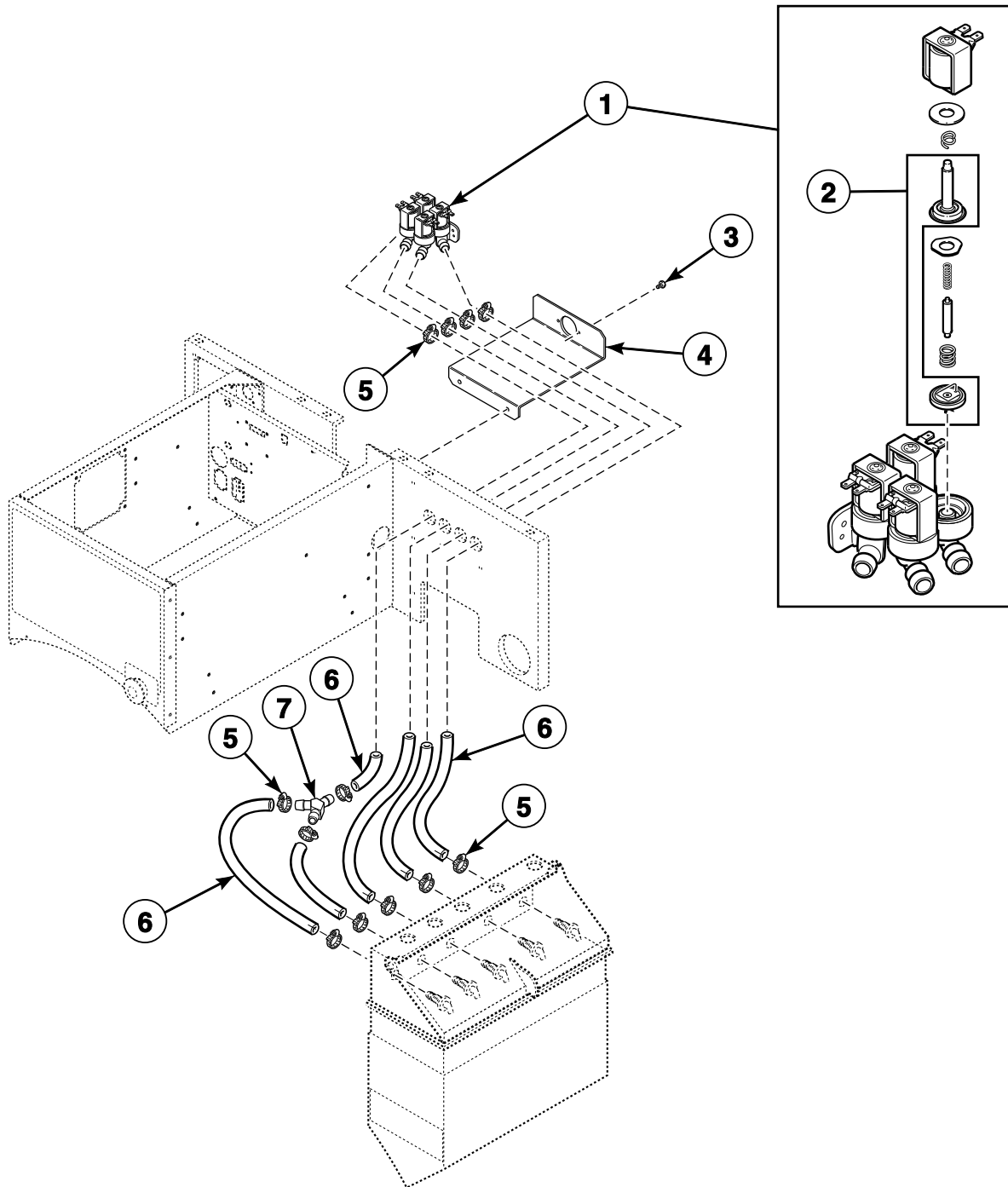
## Water Supply Valve and Hoses to Supply Dispenser - Models Through 10/3/10

REF	PART NO.	DESCRIPTION	COMMENTS
1	G582P3	Diaphragm and Guide Kit	
2	F270200	Strainer	
3	N/A	Flow Restrictor	8 liter
4	F381723P	4-Way Valve	220 Volt
	F8091601P	Dispenser Valve Harness	
5	F430948	Screw	
6	F200302	Hose Connector	
7	F230754	Water Valve Assembly Decal	
8	36801	Hose Clamp	No. 6
9	F200110P	Water Hose	
10	F422816	Y Connector	

**N/A = Part no longer available**

# Water Supply Valve and Hoses to Supply Dispenser - Models Starting 10/4/10

UWL, UWN and UWU Models



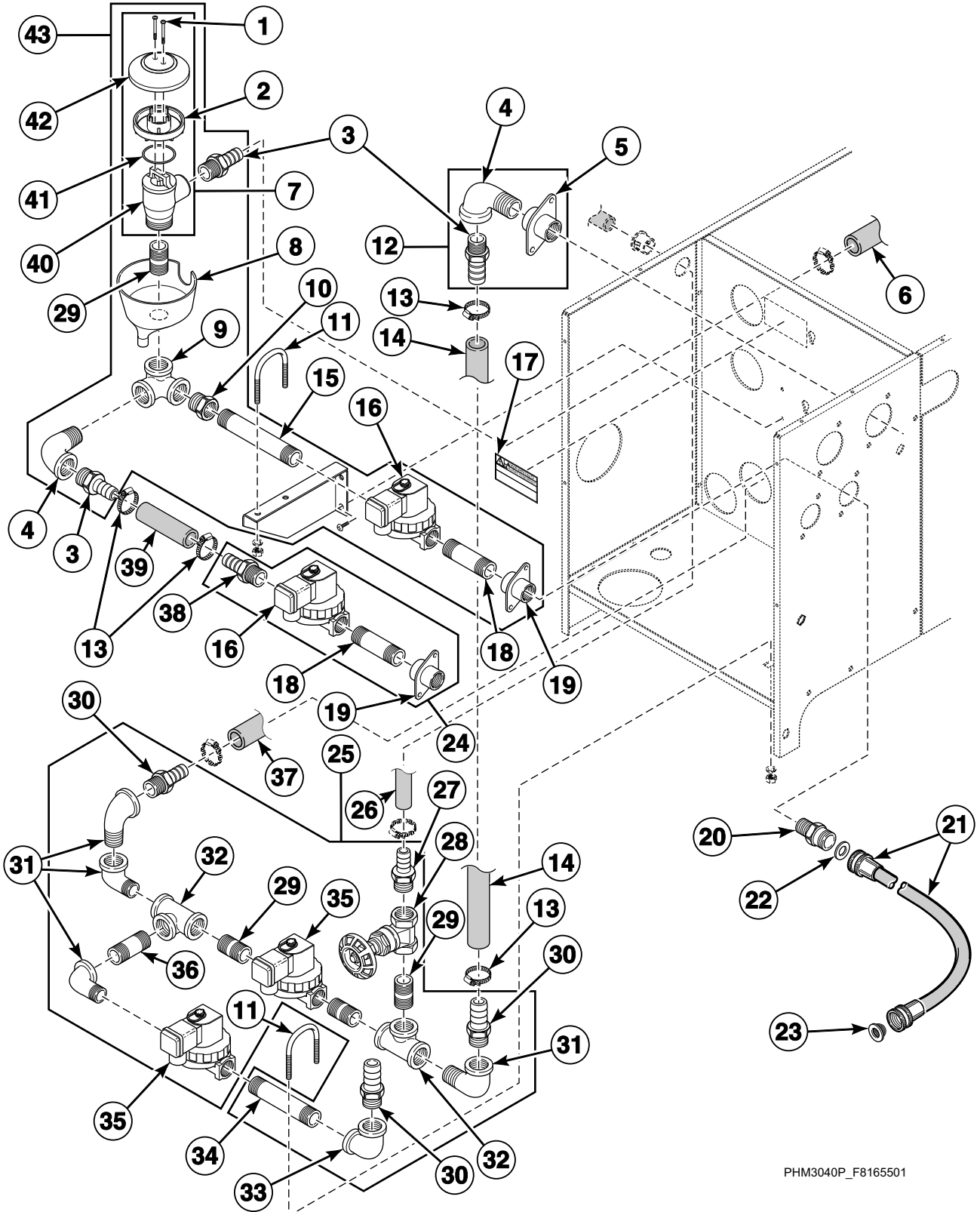
PHM3117P\_F8165501

## Water Supply Valve and Hoses to Supply Dispenser - Models Starting 10/4/10

REF	PART NO.	DESCRIPTION	COMMENTS
1	F8336601	4-Way Valve	240 Volt; Includes regulator
	F8347301	Dispenser Valve Harness	
2	G582P3	Diaphragm and Guide Kit	
3	F430948	Screw	
4	F8331901	Valve Mounting Bracket	
5	36801	Hose Clamp	No. 6
6	F200110P	Water Hose	
7	F422816	Y Connector	

# Spray and Fill Plumbing Assemblies - Models Through 10/3/10

Model UW35TV and Models with a 3 in the 8th Position



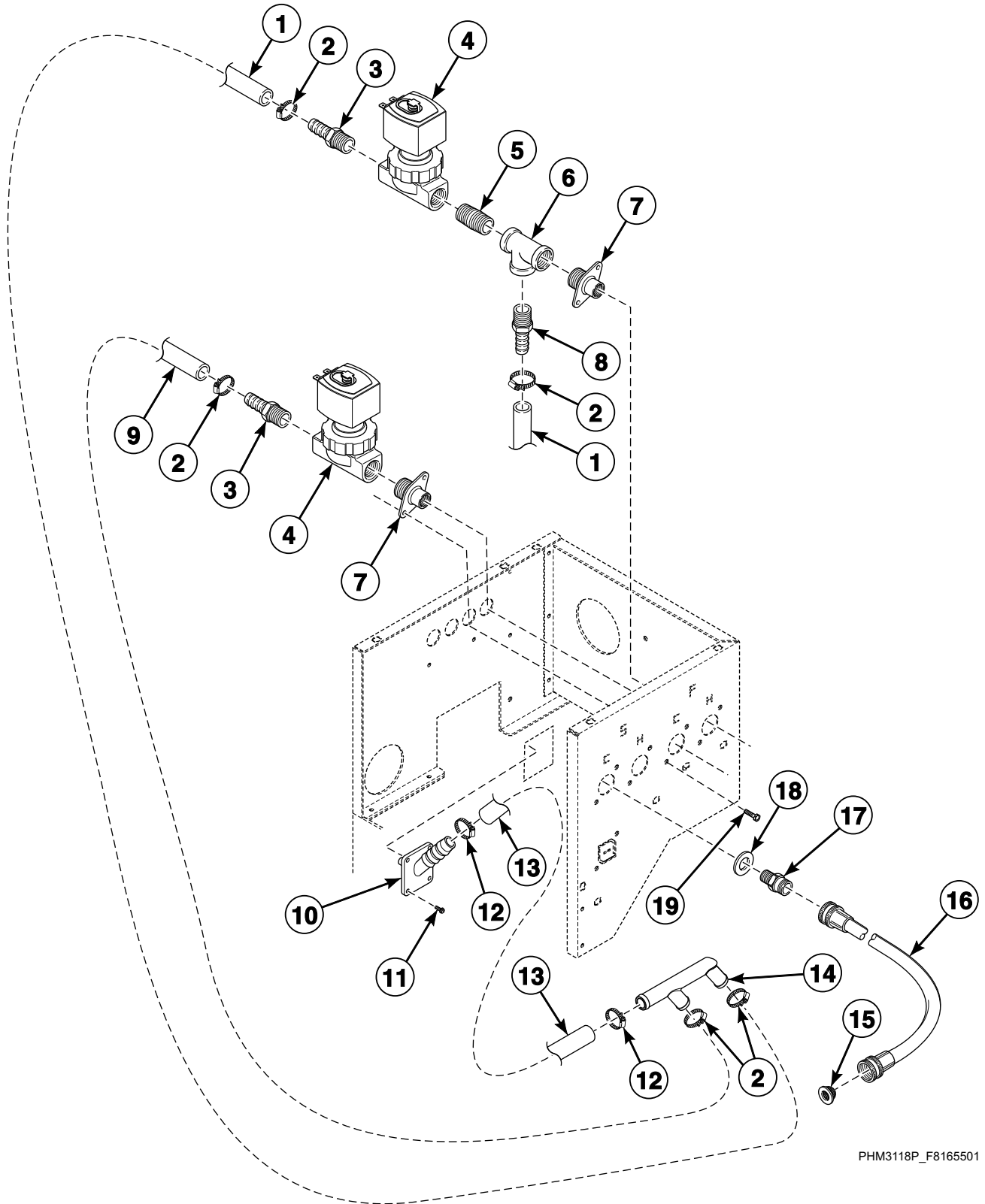
PHM3040P\_F8165501

# Spray and Fill Plumbing Assemblies - Models Through 10/3/10

REF	PART NO.	DESCRIPTION	COMMENTS
	F8073601P	Supply/Fill Module Harness	
	F8073701P	Fill/Spray Valve Harness	
1	F430938	Screw	
2	F0380809-00	Containment Device	
3	F421951	Hose Barb	
4	F420502	Street Elbow	
5	F8154502	Coupling	
6	F200104P	Hose	2 feet used
7	F063754701P	Vacuum Breaker Valve	Includes items 1, 2 and 40-42
8	F8118401	Catch Basin	
9	F420509	Elbow	
10	F8100301	Reducer Bushing	
11	F200401P	U-Bolt Clamp	
12	F8117101	Fill Plumbing Connection	Includes items 3-5
13	F200222	Hose Clamp	No. 12
14	F8137502	Hose	
15	F8110601	Nipple	
16	F8521501	DIN Valve Kit	F380996P Water Valve Repair Kit
17	F8233501	Warning Label	
18	F420103	Nipple	
19	F8154501	Coupling	
20	F421909	Hose Adapter	Standard thread; 3/4 inch
	F421908	Hose Adapter	Standard thread; 1 1/2 inches
	F8265701	Adapter	Metric thread
21	F200164	Water Hose	Standard thread
	F200166	Water Hose	Metric thread
22	20290	Washer	
23	803615	Washer	Filter
24	F8116801	Cold Spray Plumbing Assembly	Includes items 16, 18, 19 and 38
25	F8076101P	Fill Plumbing Assembly	Includes items 27-36
26	F200165	Water Hose	5 used
27	F421964	Hose Barb	
28	F380500	Gate Valve	
29	F420105	Nipple	
30	F8110701	Hose Barb	
31	F420500	Street Elbow	
32	F420400	Tee	
33	F420501	Elbow	
34	F8110301	Nipple	
35	F381703P	Valve	F380996P Water Valve Repair Kit
36	F8079601	Nipple	
37	C002658	Hose	
38	F8110701	Hose Barb	
39	F8137504	Hose	
40	F063754701P	Vacuum Breaker Valve	
41	F0170221-00	O-Ring	
42	F0380808-00	Vacuum Breaker Cap	
43	F8074701	Hot Spray Plumbing Assembly	Includes items 1-3, 7-10, 15, 16, 18, 19, 29 and 40-42

# Fill Plumbing Assembly - Models Starting 10/4/10

UWL, UWN and UWU Models



PHM3118P\_F8165501

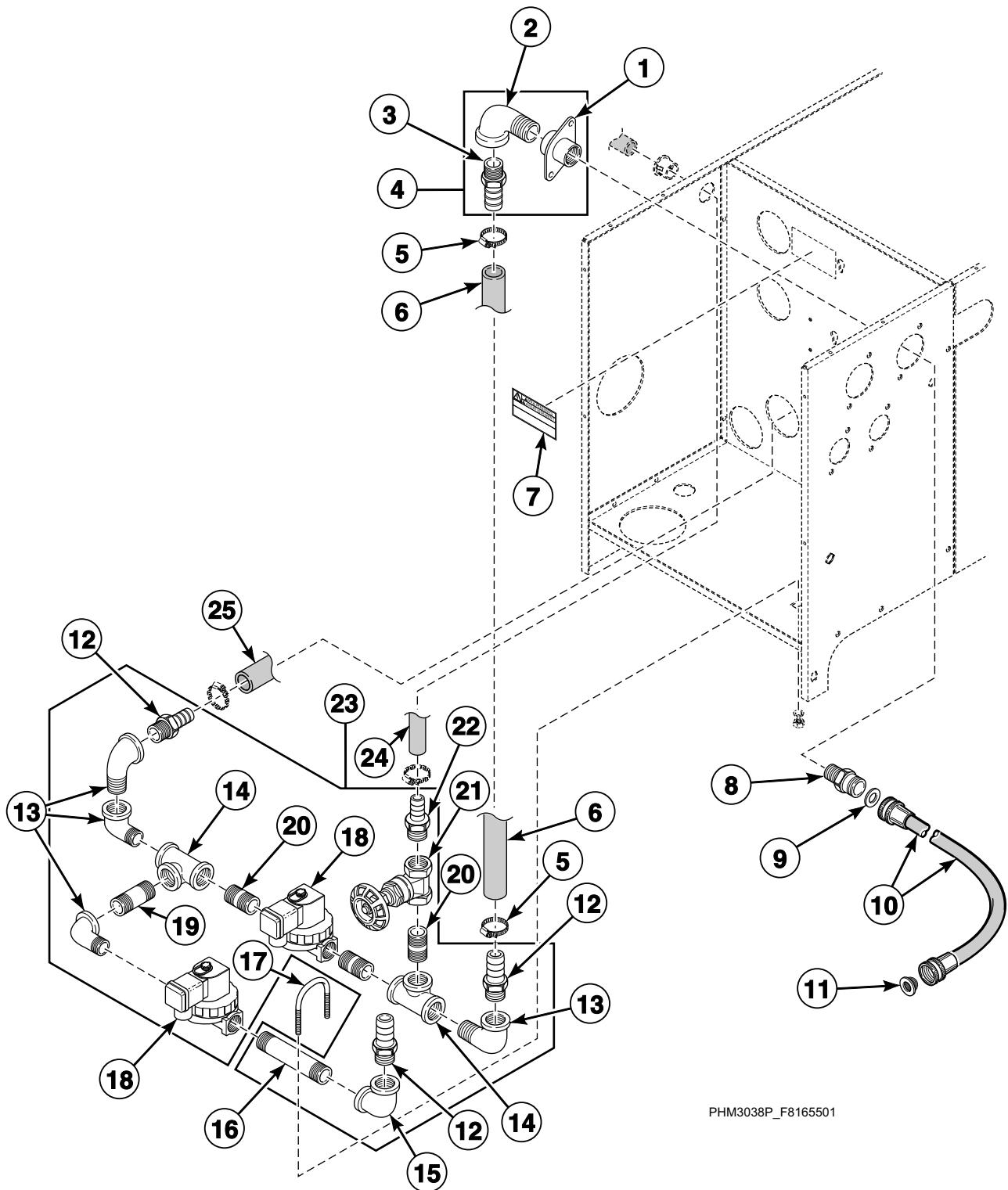


## Fill Plumbing Assembly - Models Starting 10/4/10

REF	PART NO.	DESCRIPTION	COMMENTS
	F8379501	Valve Kit	1/2 inch
	F8347501	Fill/Supply Harness	
	F8347102	Fill Valve Harness	
<b>1</b>	F8232007	Hose	
<b>2</b>	36801	Hose Clamp	No. 8
<b>3</b>	F421951	Hose Barb	
<b>4</b>	F8322803P	Valve	1/2 inch; Brass
	F8456201P	Valve Transition Kit	
<b>5</b>	F421921	Nipple	1/2 inch; Brass
<b>6</b>	F422208	Tee	
<b>7</b>	F8362701	Coupling	1/2 inch
<b>8</b>	F8110701	Hose Barb	
<b>9</b>	C002662	Hose	Order 2 feet
<b>10</b>	F8351601	Fill Port	
<b>11</b>	70442301	Screw	
<b>12</b>	F200222	Hose Clamp	No. 12
<b>13</b>	F8232006	Hose	
<b>14</b>	F8333201	Manifold	
<b>15</b>	803615	Washer	Filter
<b>16</b>	F200164	Water Hose	Standard thread
	F200166	Water Hose	Metric thread
<b>17</b>	F421908	Hose Adapter	Standard thread; 3/4 x 1/2 inches
	F8265701	Adapter	Metric thread
<b>18</b>	20290	Washer	
<b>19</b>	20253	Screw	

# Fill Plumbing Assembly - Models Through 10/3/10

Models with a 1 in the 8th Position



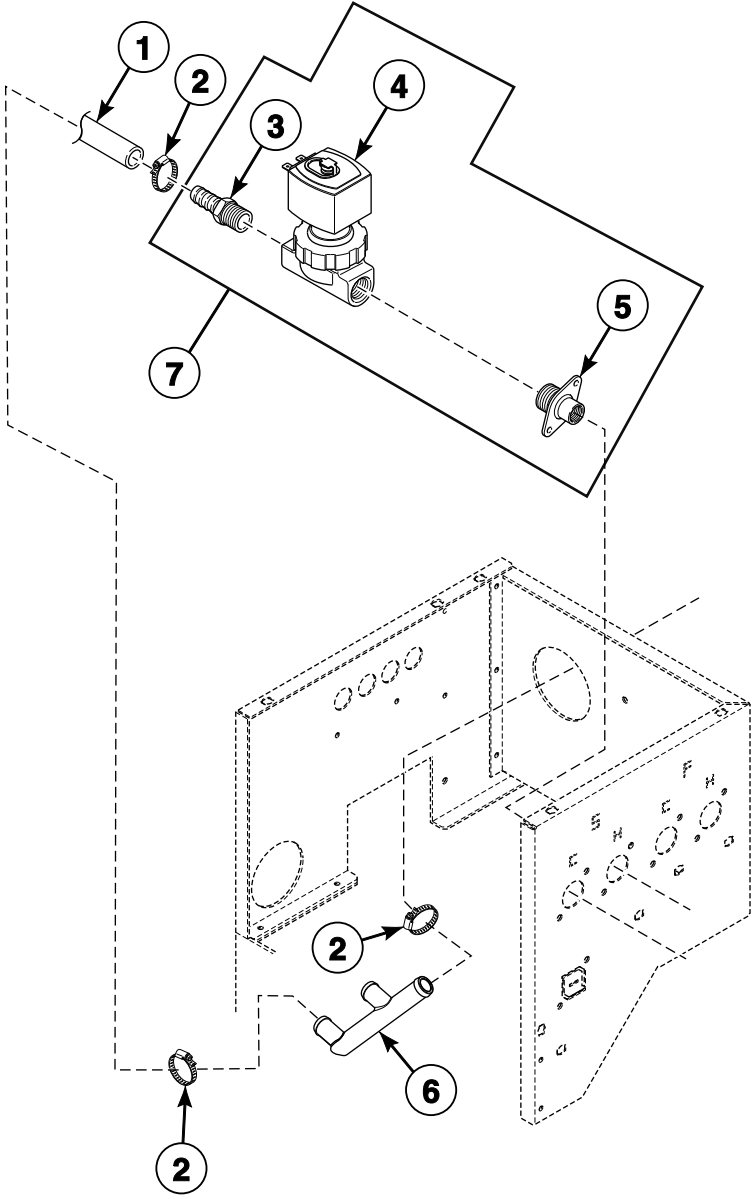
PHM3038P\_F8165501

## Fill Plumbing Assembly - Models Through 10/3/10

REF	PART NO.	DESCRIPTION	COMMENTS
	F8073601P	Supply/Fill Module Harness	
	F8158901P	Fill/Supply Harness	
	F8073702P	Fill Valve Harness	
1	F8154502	Coupling	
2	F420502	Street Elbow	
3	F421951	Hose Barb	
4	F8117101	Fill Plumbing Connection	Includes items 3-5
5	F200222	Hose Clamp	No. 12
6	F8137502	Hose	
7	F8233501	Warning Label	
8	F421909	Hose Adapter	Standard thread; 3/4 inch
	F421908	Hose Adapter	Standard thread; 1 1/2 inches
	F8265701	Adapter	Metric thread
9	20290	Washer	
10	F200164	Water Hose	Standard thread
	F200166	Water Hose	Metric thread
11	803615	Washer	Filter
12	F8110701	Hose Barb	
13	F420500	Street Elbow	
14	F420400	Tee	
15	F420501	Elbow	
16	F8110301	Nipple	
17	F200401P	U-Bolt Clamp	
18	F8521501	DIN Valve Kit	F380996P Water Valve Repair Kit
19	F8079601	Nipple	
20	F420105	Nipple	
21	F380500	Gate Valve	
22	F421964	Hose Barb	
23	F8076101P	Fill Plumbing Assembly	Includes items 27-36
24	F200165	Water Hose	5 used
25	C002658	Hose	

# Spray Plumbing Assembly - Models Starting 10/4/10

Models with a 3 in the 8th Position

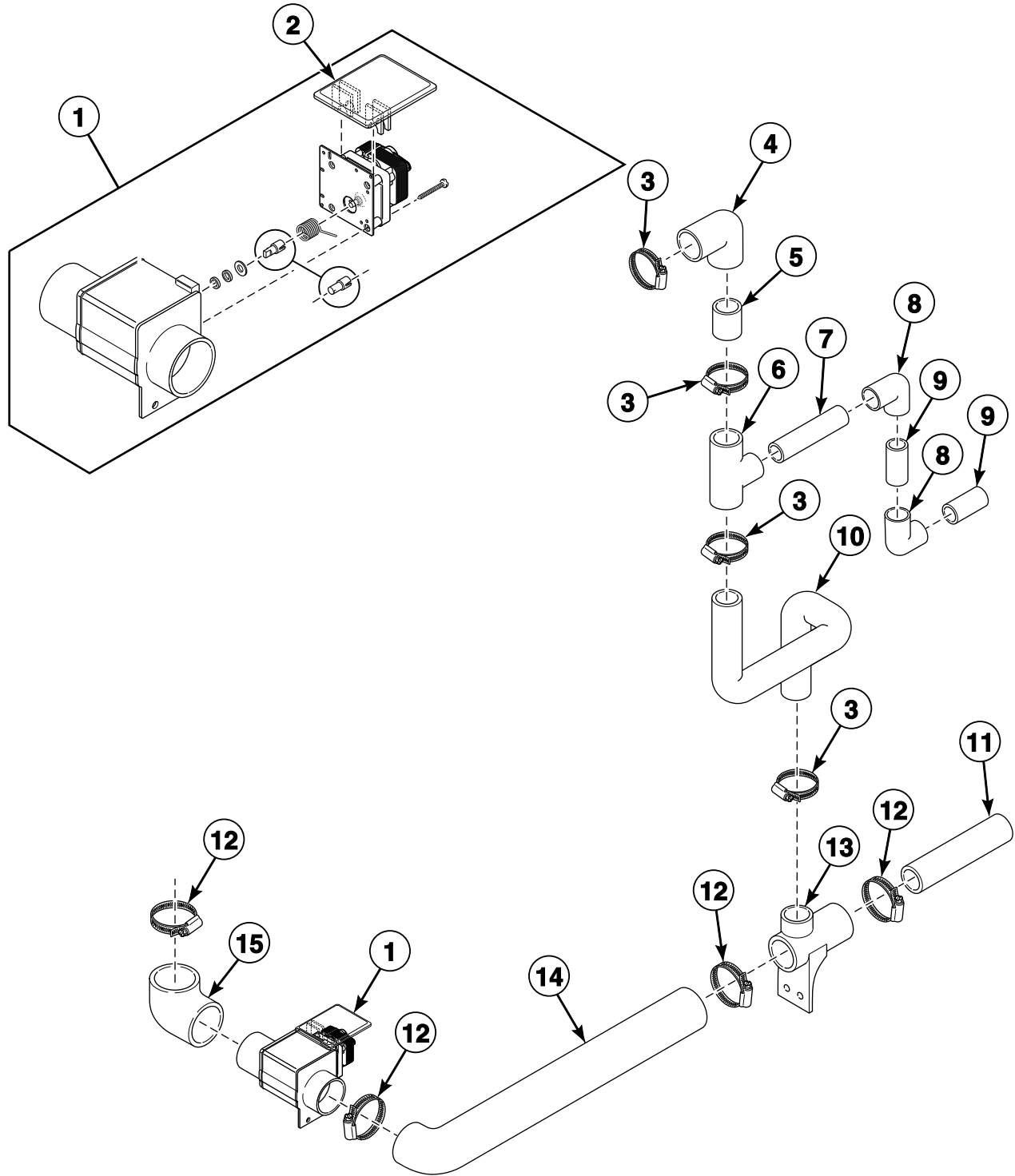


PHM3122P\_F8165501

## Spray Plumbing Assembly - Models Starting 10/4/10

REF	PART NO.	DESCRIPTION	COMMENTS
	F8347501	Fill/Supply Harness	
	F8347102	Fill Valve Harness	
1	F8232007	Hose	
2	36801	Hose Clamp	No. 8
3	F8110701	Hose Barb	
4	F8322803P	Valve	1/2 inch; Brass
	F8456201P	Valve Transition Kit	
5	F8362701	Coupling	3/4 inch
6	F8333201	Manifold	
7	F8288401	Fill Plumbing Assembly	Includes items 3-5

# Drain - Models Through 10/3/10



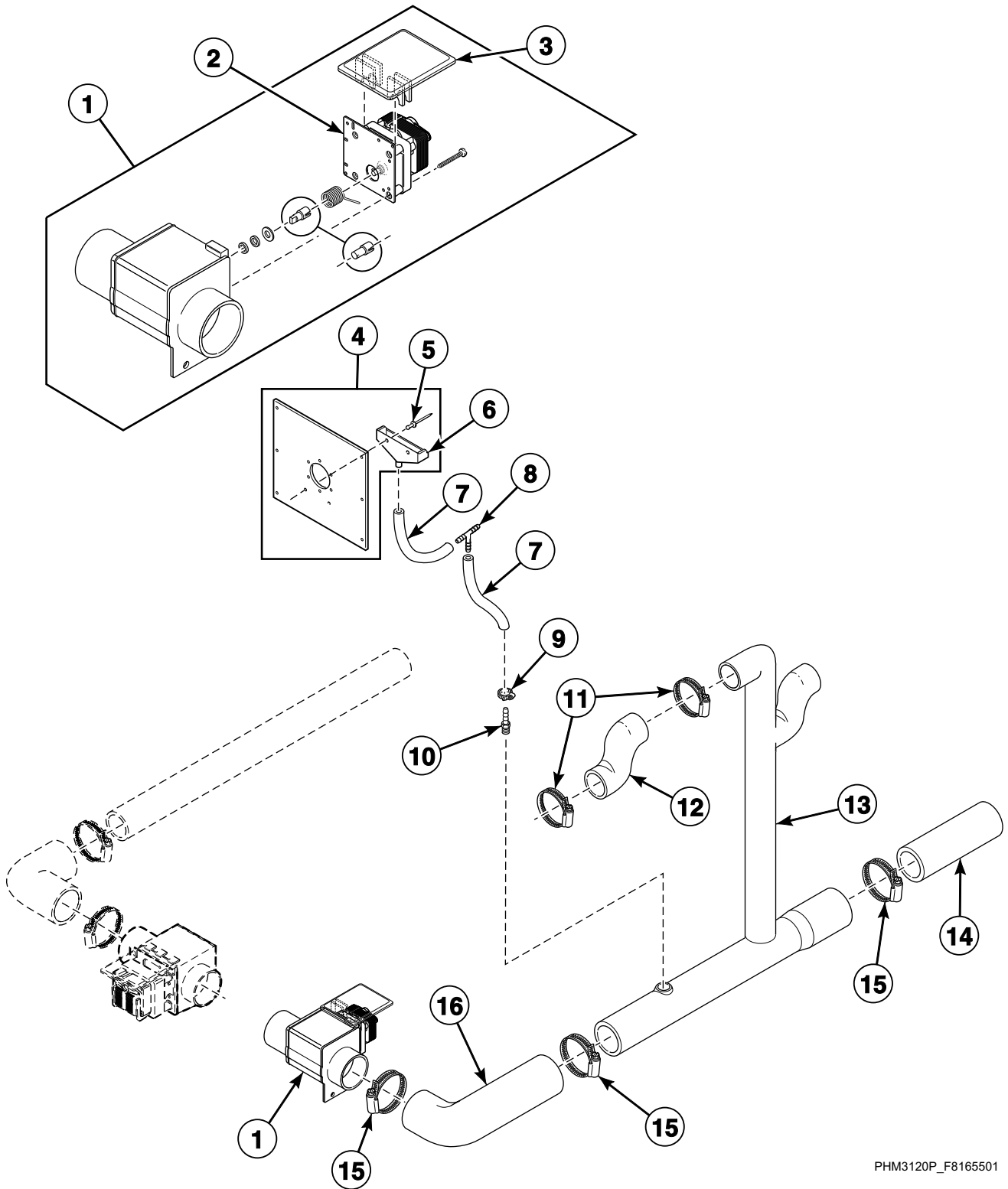
PHM2931P\_F8165501

## Drain - Models Through 10/3/10

REF	PART NO.	DESCRIPTION	COMMENTS
1	803292	Gravity Drain Valve	
	F8028301P	Drain Valve Harness	R-voltage
	F8257002	Drain Valve Harness	Q-voltage
	F8257101	Dual Drain Harness	
2	F200133600	Drain Valve Cover	
3	F200215	Hose Clamp	No. 28
4	F8123901	Upper Overflow Hose	
5	F610155	Pipe	
6	F8123001	Tee	
7	F8125101	Pipe	
8	F8123101	Elbow	
9	F8125001	Pipe	
10	F8124001	Lower Overflow Hose	
11	F200165100	Drain Hose	
12	F200213	Hose Clamp	No. 40
13	F8017101	Drain Connector Tee	
14	F0150331-00	Drain Hose	
15	F8105901	Drain Hose	

# Drain - Models Starting 10/4/10

UWL, UWN and UWU Models



PHM3120P\_F8165501

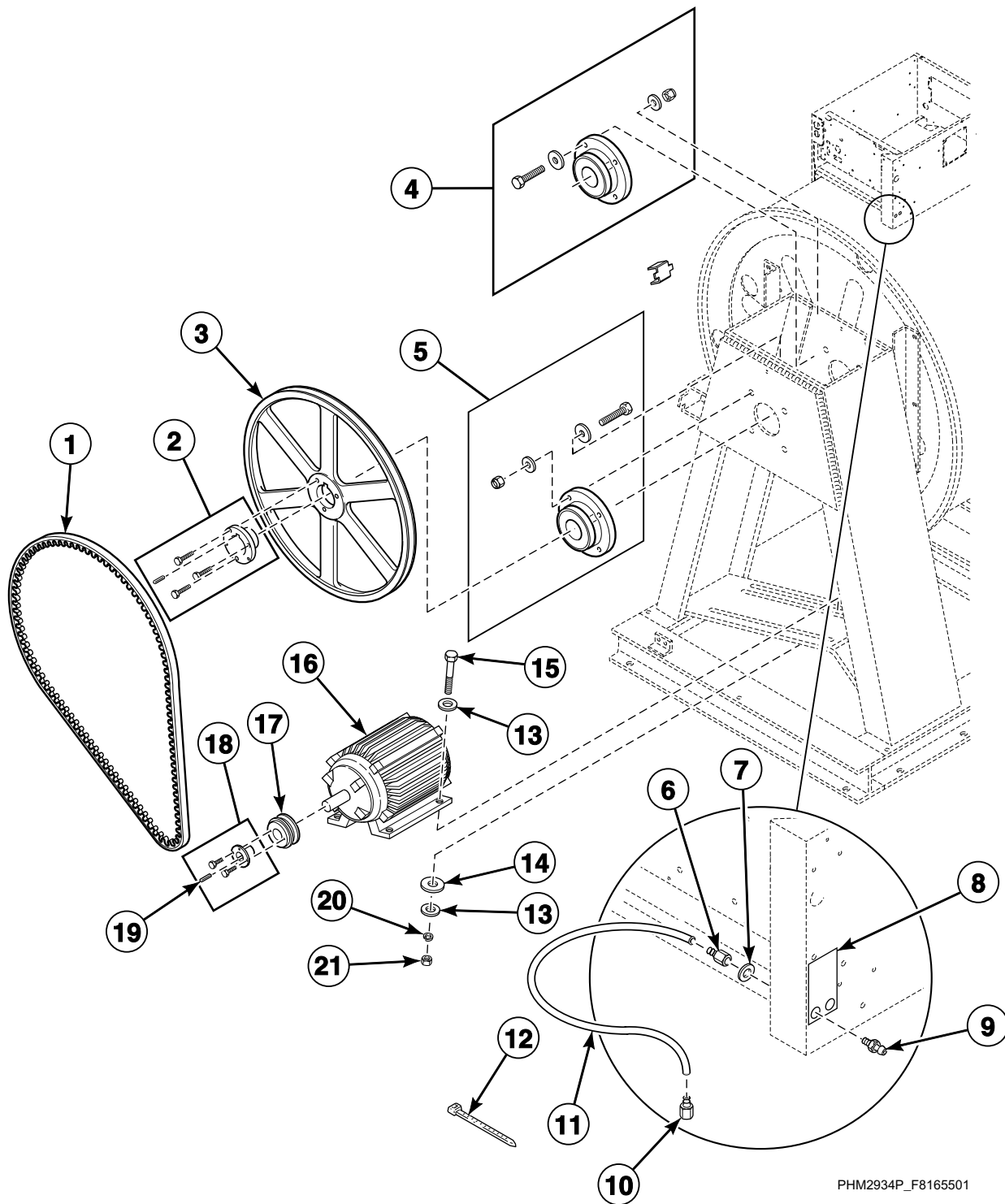


## Drain - Models Starting 10/4/10

REF	PART NO.	DESCRIPTION	COMMENTS
	F8257001P	Drain Valve Harness	Standard and electric heat
	F8257002	Drain Valve Harness	Steam heat
<b>1</b>	803292	Gravity Drain Valve	
<b>2</b>	F380933P	Drain Valve Motor	220 Volt; Keyed shaft
<b>3</b>	F200133600	Drain Valve Cover	
<b>4</b>	F8084201	Shell Reinforcement Plate Assembly	Includes items 10 and 11
<b>5</b>	F431215	Pop Rivet	
<b>6</b>	F150389	Scupper	
<b>7</b>	F200107P	Water Hose	
<b>8</b>	F8137401	Tee	
<b>9</b>	36801	Hose Clamp	No. 6
<b>10</b>	F421929	Hose Barb	
<b>11</b>	F200213	Hose Clamp	No. 40
<b>12</b>	F8362901	Overflow Hose	
<b>13</b>	F8352901	Molded Drain	
<b>14</b>	F200165100	Drain Hose	
<b>15</b>	F200201	Hose Clamp	No. 56
<b>16</b>	F8362801	Drain Hose	

# Motor, Pulley and Bearings (Drawing 1 of 2)

Model UW35TV and Models with an L, M or V in the 9th Position



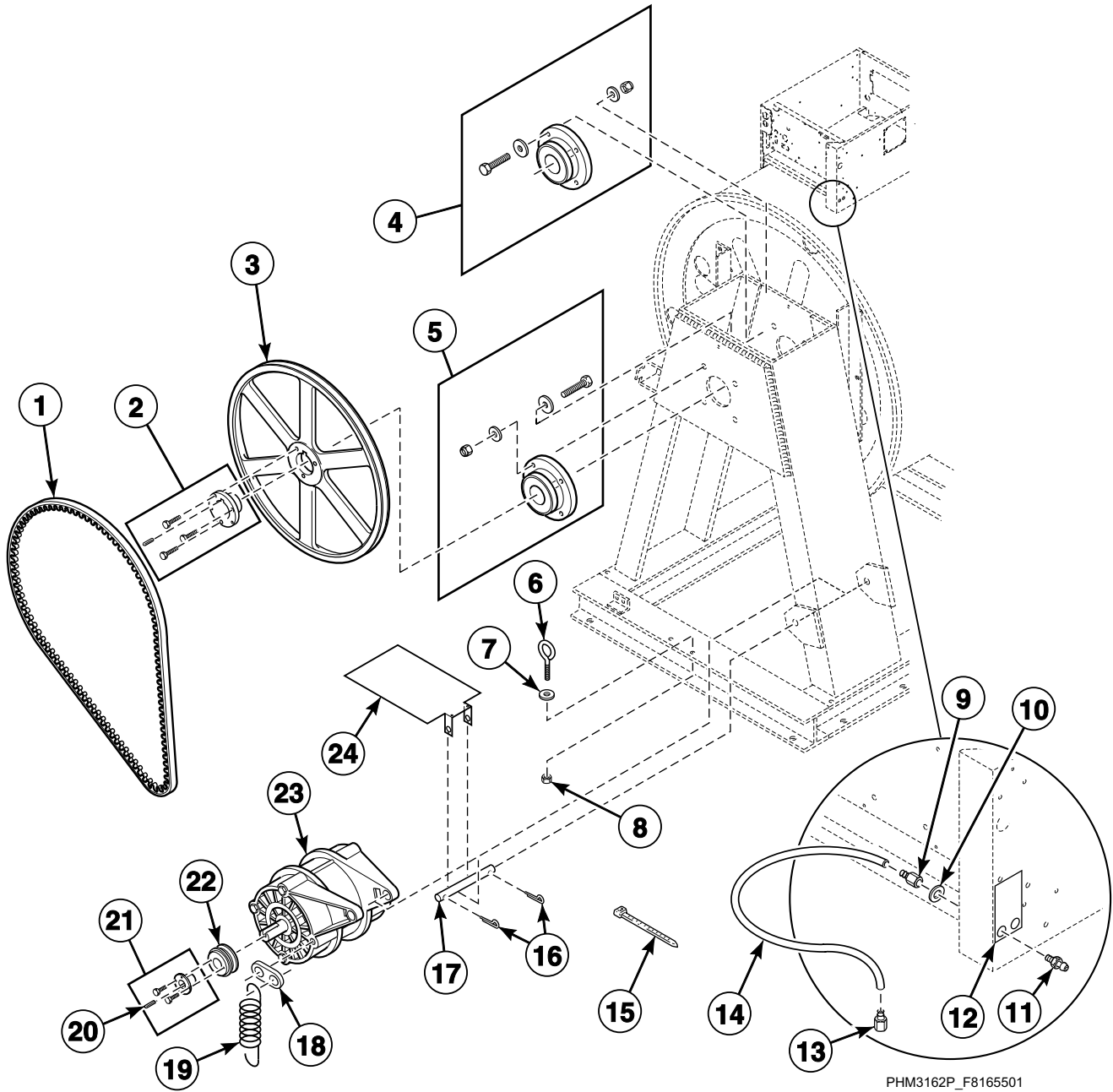
PHM2934P\_F8165501

## Motor, Pulley and Bearings (Drawing 1 of 2)

REF	PART NO.	DESCRIPTION	COMMENTS
1	F280354	Belt	B86
2	F280409P	Bushing	Includes screws and key; 2-7/16 inch
3	F280410	Pulley	
4	F798824-00	Front Bearing Kit	Includes F010029701 Face Seal, F100203 Slinger, F170120R Shell Band Gasket, F170125 Shell Band Seal, F200001600 Shell Band Gasket, F410102 Clear Sealant, F430137 Screw, F430210 Nut, F430211 Nut, F430317 Washer, F430325 Washer, F430500 Screw, F430935 Screw, F431005 Nut, F431100 Washer, F431112 Washer, F431210 Pop Rivet and F704853 Key
	F100150P	Bearing	
5	F745010	Rear Bearing Kit	Includes F430136 Screw, F704854 Key, F430200 Nut and F430327 Washer
	F100150P	Bearing	
6	F422114	Air Coupling	
7	F431134	Washer	
8	F231563	Grease Instruction Decal	Lubrication
9	F190701	Grease Fitting	
	F745401	Manual Bearing Greasing Retrofit Kit	Includes items 10 and 11, F630433 Grease Manifold Bracket, F230745 Bearing Lubrication Instruction Decal, F320326 Grease Manifold, F430211 Nut, F430322 Washer, F430923 Screw, F430925 Screw and F431024 Nut
10	J1408004	Connector	
11	C000628P	Tubing	
12	F140605	Cable Tie	6 inch
13	M400081	Washer	
14	F430300	Washer	
15	F430993	Screw	
16	F8356401	Motor Kit	AC drive parameters must be compatible with the motor and motor pulley. Please request the AC drive parameter illustration for parameter verification when ordering a motor.
	F8049201	Motor Harness	
17	F280146P	Pulley	
18	F280211P	Motor Pulley Bushing	Includes item 19 and screws
19	F430802	Key	
20	M400014	Washer	
21	20274	Nut	

# Motor, Pulley and Bearings (Drawing 2 of 2)

Models with a 2 in the 9th Position

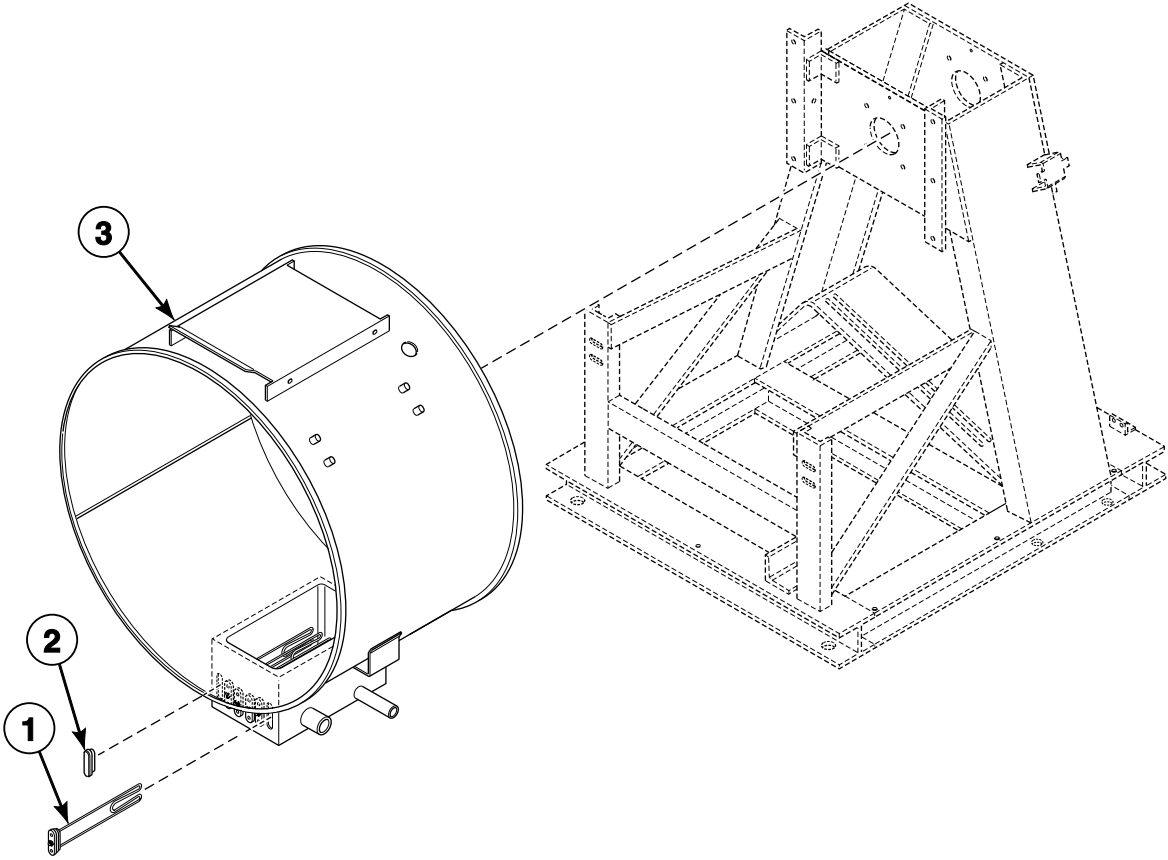


PHM3162P\_F8165501

## Motor, Pulley and Bearings (Drawing 2 of 2)

REF	PART NO.	DESCRIPTION	COMMENTS
	F8436801P	Shaft Lift Tool Kit	Used to reset bearings
1	F280354	Belt	B86
2	F280409P	Bushing	Includes screws and key; 2-7/16 inch
3	F280410	Pulley	
4	F798824-00	Front Bearing Kit	Includes F010029701 Face Seal, F100203 Slinger, F170120R Shell Band Gasket, F170125 Shell Band Seal, F200001600 Shell Band Gasket, F410102 Clear Sealant, F430137 Screw, F430210 Nut, F430211 Nut, F430317 Washer, F430325 Washer, F430500 Screw, F430935 Screw, F431005 Nut, F431100 Washer, F431112 Washer, F431210 Pop Rivet and F704853 Key
	F100150P	Bearing	
5	F745010	Rear Bearing Kit	Includes F430136 Screw, F704854 Key, F430200 Nut and F430327 Washer
	F100150P	Bearing	
6	F430153	Bolt	
7	M400080	Washer	
8	F430233	Nut	
9	F422114	Air Coupling	
10	F431134	Washer	
11	F190701	Grease Fitting	
	F745401	Manual Bearing Greasing Retrofit Kit	Includes items 13 and 14, F630433 Grease Manifold Bracket, F230745 Bearing Lubrication Instruction Decal, F320326 Grease Manifold, F430211 Nut, F430322 Washer, F430923 Screw, F430925 Screw and F431024 Nut
12	F231563	Grease Instruction Decal	Lubrication
13	J1408004	Connector	
14	C000628P	Tubing	
15	F140605	Cable Tie	6 inch
16	F430401	Cotter Pin	
17	F730076	Motor Support Rod Kit	Includes item 16
18	F601515	Clip	
19	F310127	Spring	
20	F430802	Key	
21	F280211P	Motor Pulley Bushing	Includes item 20 and screws
22	F8201601	Sheave	
23	F8330001P	Motor	
	F8049201	Motor Harness	
24	F200216900	Motor Drip Shield	

# Electric Heat Option

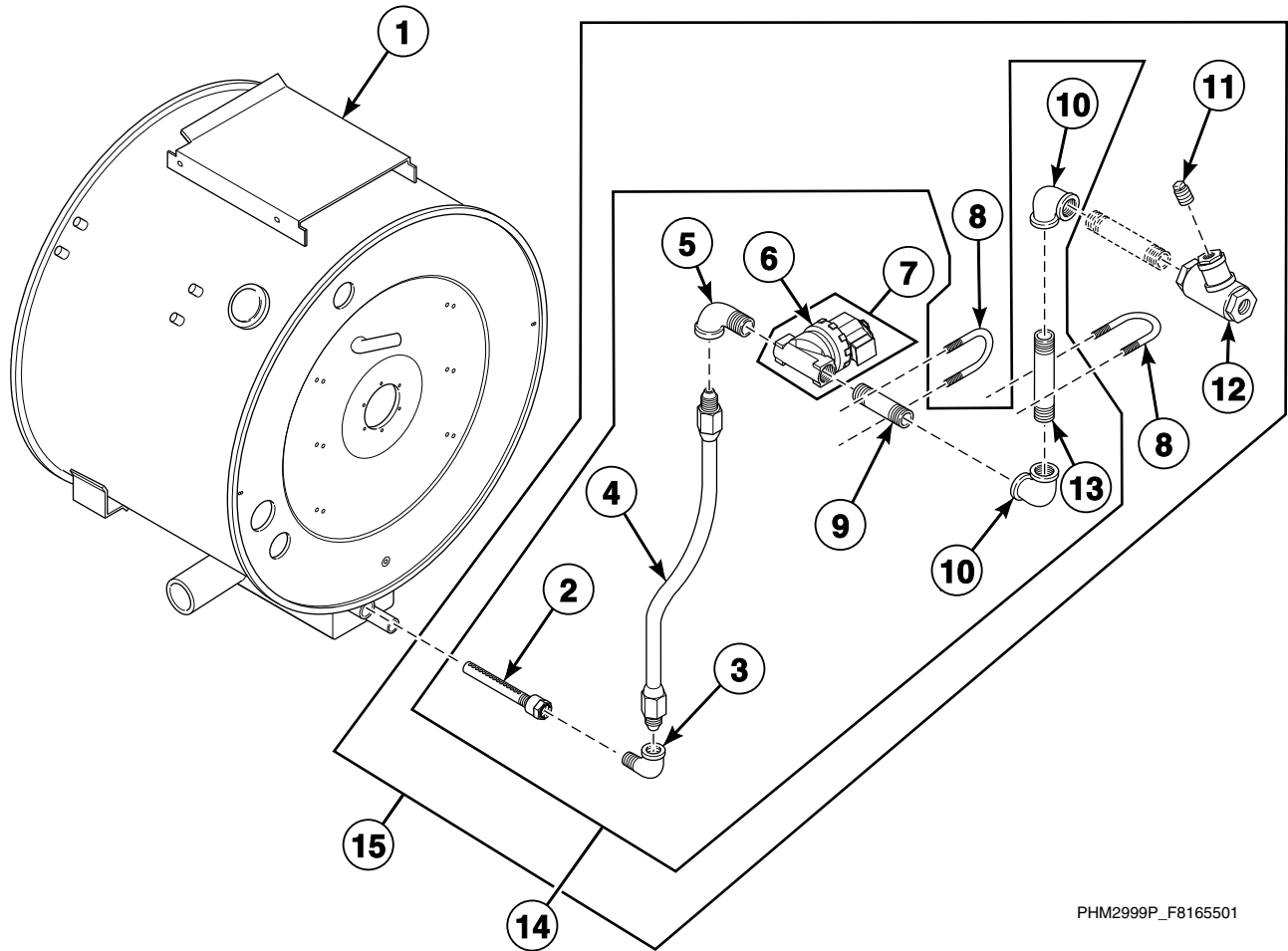


PHM2935P\_F8165501

# Electric Heat Option

REF	PART NO.	DESCRIPTION	COMMENTS
	F8054701P	Electric Heat Harness	R-voltage
	F8054702	Electric Heat Harness	Q-voltage
<b>1</b>	F360203P	Heating Element	6 required
	F8056701	Electric Heat Harness	6 element to ground
<b>2</b>	F360202	Heating Element Plug	
<b>3</b>	F8081302	Shell Weldment	Electric heat; Models through 10/3/10
	F8366002	Shell Weldment	Electric heat; Models starting 10/4/10

# Steam Heat Option - Models Through 10/3/10



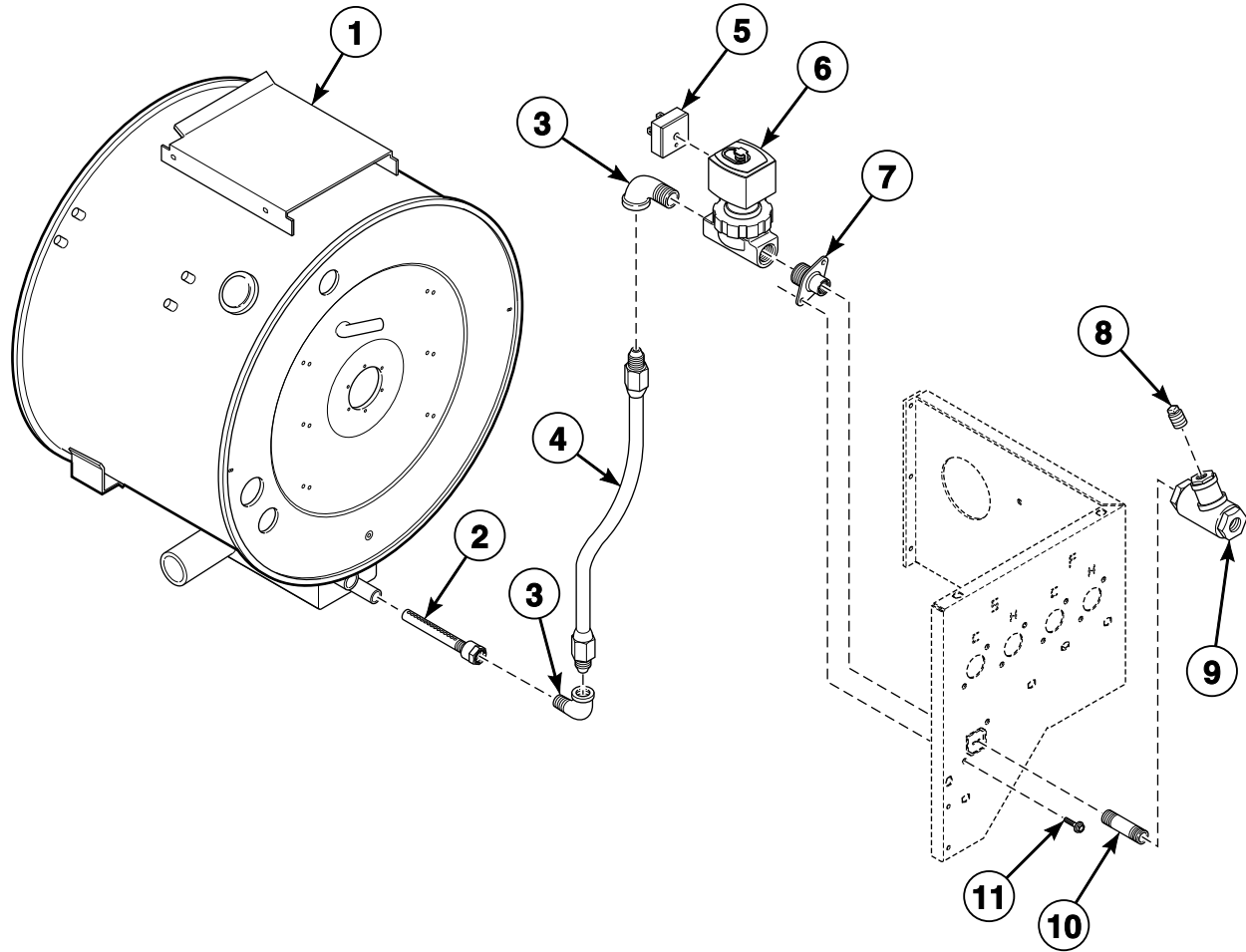
PHM2999P\_F8165501



## Steam Heat Option - Models Through 10/3/10

REF	PART NO.	DESCRIPTION	COMMENTS
1	F8081301	Shell Weldment	
2	F603131	Steam Injector Tube Assembly	
3	F421703	Street Elbow	
4	F200197	Steam Hose	
5	H86070034	Street Elbow	
6	F380987P	DIN Coil	220 Volt
7	F380787P	Steam Valve	1/2 inch; 220 Volt; F380984 Steam Valve Repair Kit
8	F200401P	U-Bolt Clamp	
9	901403	Pipe Nipple	
10	70079601	Elbow	
11	F420409	Plug	
12	F270307	Steam Filter	
13	70263801	Pipe Nipple	
14	F8104501	Steam Assembly	Includes items 2-7, 9, 10 and 13
15	F947P3	Steam Heat Kit	Includes items 2-13 and F8028302 Drain Valve Harness

# Steam Heat Option - Models Starting 10/4/10

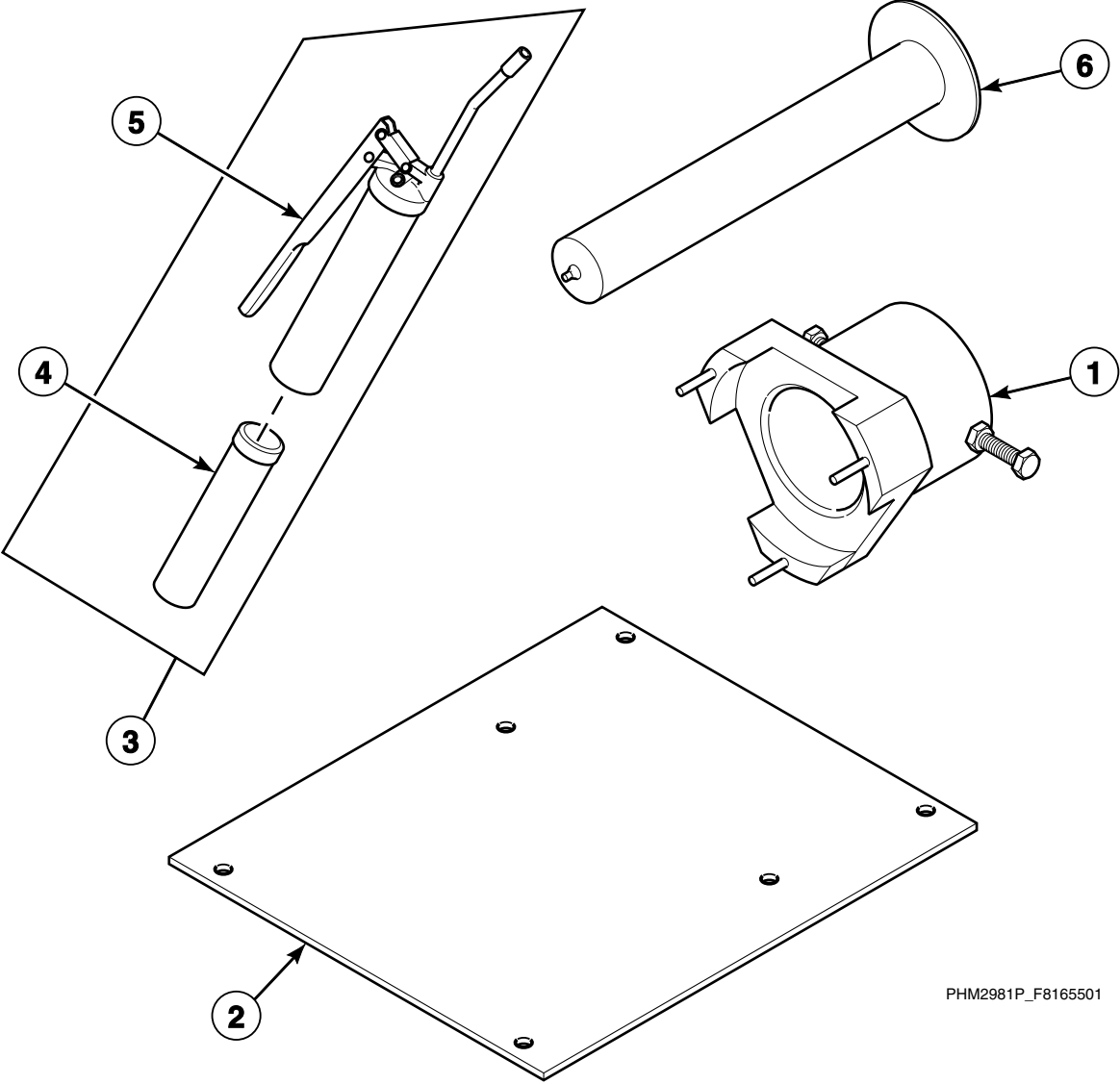


PHM2132K\_F8165501

## Steam Heat Option - Models Starting 10/4/10

REF	PART NO.	DESCRIPTION	COMMENTS
	F8394501	Steam Assembly	Includes items 2-11
	F943P3	Steam Heat Kit	Includes items 2-11 and F8257002 Drain Valve Harness
1	F8366001	Shell Weldment	
2	F603131	Steam Injector Tube Assembly	
3	F421703	Street Elbow	
4	F200197	Steam Hose	
5	F8382301	DIN Valve Adapter Kit	
6	F8322801P	Valve	1/2 inch; 220 Volt
7	F8362701	Coupling	
8	F420409	Plug	
9	F270307	Steam Filter	
10	901403	Pipe Nipple	
11	70321501	Screw	

# Special Tools



PHM2981P\_F8165501

## Special Tools

REF	PART NO.	DESCRIPTION	COMMENTS
	F923P3	Wet-Clean Kit	Model UW35TV
	F925P3	Wet-Clean Kit	All other models
	F924P3	Reuse Kit	
	F8167901	USB IR Device Assembly	
	F8133301	UniLinc PC and PDA Software CD	
	F8133701	UniLinc PC and PDA Software CD	Programmer's version
	1113P	Concrete Hardware Kit	
	F8498101	Concrete Epoxy Kit	Used with mounting bolts
<b>1</b>	F0100312-00	Shaft Seal Alignment Fixture	
<b>2</b>	F604501	Rebar Frame Template	
<b>3</b>	F798700	Grease Gun Kit	Includes items 4 and 5
<b>4</b>	F210206P	Bearing Grease	
<b>5</b>	F210207P	Grease Gun	
<b>6</b>	F633426	Alignment Shaft Assembly	



# Parts Index

## A

AC Drive	
F8169601 .....	15
F8169602 .....	15
Adapter	
F422508 .....	35
F8265701 .....	45, 47, 49
Air Coupling	
F422114 .....	57, 59
Air Trap Hose	
F020014200 .....	11
Alignment Shaft Assembly	
F633426 .....	67
Auxiliary Control Assembly	
F8189401P .....	11

## B

Back Electrical Panel	
F8352401 .....	25
Back Water Panel	
F8346301 .....	25
Balance Switch Bracket	
F8124301 .....	19
Basket Assembly	
F604377 .....	33
Bearing	
F100150P .....	57, 59
Bearing Grease	
F210206P .....	67
Belt	
F280354 .....	57, 59
Belt Access Guard Panel	
F8117501 .....	21
Belt Edging	
70360901 .....	21
Bolt	
F430153 .....	59
Bushing	
F280409P .....	57, 59
F8162901 .....	35
70346501 .....	11

## C

Cable Tie	
F140605 .....	57, 59
Cable Tray Assembly	
F635615-1 .....	9
Cable Tray Cover	
F635478 .....	9
Cap Plug	
F180486 .....	13
Catch Basin	
F8118401 .....	45

Center Back Panel	
F8353201 .....	25
CFG Harness	
F8028108 .....	11
Chemical Supply Cup	
F150385 .....	39
F150386 .....	39
Chemical Supply Hose	
F150478 .....	39
Circuit Breaker	
F8303001P .....	17
70256901P .....	17
Clean Filter Daily Decal	
F200061000 .....	9, 17
Clip	
F601515 .....	59
M400984 .....	13
Clockwise Spin Rotation Decal	
F230652 .....	27
Cold Spray Plumbing Assembly	
F8116801 .....	45
Communication Board	
210095P .....	9
Concrete Epoxy Kit	
F8498101 .....	67
Concrete Hardware Kit	
1113P .....	67
Connector	
F422500 .....	11
J1408004 .....	57, 59
Contact Block Switch	
F200233401 .....	9
Contact Switch	
F8069501 .....	9
Contacto	
F330177P .....	17
F330188P .....	17
Contacto Power Harness	
F8202001P .....	17
Containment Device	
F0380809-00 .....	45
Control Assembly Kit	
F980P3 .....	11
Control Board Bracket	
F8036101 .....	9
Control Box Bottom	
F8077401 .....	23
Control Box Contactor Panel	
F8055001 .....	9
Control Box Partition	
F8077601 .....	23
F8351801 .....	25
Control Box Rear Panel	
F8170501 .....	9
Control Box Top Panel	
F8170601 .....	9
Control Harness	
F8173601P .....	15
F8173701P .....	11
Control Kit	
F982P3 .....	9

N/A items do not appear in index.

F983P3 .....	9
Control Module Decal F8427001 .....	9
Conversion Label F8099701 .....	23, 25
F8099801 .....	23, 25
Cotter Pin F430401 .....	59
Coupling F8154501 .....	45
F8154502 .....	45, 49
F8362701 .....	47, 51, 65
Cover Decal F200318200 .....	21

## D

Diaphragm and Guide Kit G582P3 .....	41, 43
DIN Coil F380987P .....	63
DIN Rail F8134001 .....	17
F8200101 .....	17
DIN Valve Adapter Kit F8382301 .....	65
DIN Valve Kit F821501 .....	45
F8521501 .....	49
Dispenser Assembly F0150512-00P .....	39
Dispenser Lid F0150514-00 .....	39
Dispenser Valve Harness F8091601P .....	41
F8347301 .....	43
Do Not Tamper Label F8345901 .....	15
Door Assembly F200119400 .....	27, 29
F200119500P .....	27
F8353301 .....	29
Door Bracket Latch Shim F631989 .....	31
Door Bumper Bushing F430416 .....	27, 29
Door Bumper Moulding F150366 .....	27, 29
Door Butt Hinge F200030700 .....	27
Door Butt Shim F0610695-00 .....	27, 29
Door Gasket F017014301 .....	27, 29
F170143 .....	27, 29
Door Glass Gasket F170112 .....	27, 29
Door Handle Casting F150203 .....	31
Door Hinge Pin F601815 .....	27, 29
Door Hinge Strap F200030600 .....	27

Door Hinge Strap Kit F200030600P .....	27, 29
Door Kit F730307 .....	29
Door Latch Bracket Shim F602058 .....	31
Door Lock Assembly F8127702 .....	31
Door Lock Cover F8132001 .....	31
Door Lock Dielectric Shield F8135301 .....	31
Door Lock Harness F8029101 .....	31
F8029102 .....	31
Door Lock Solenoid F300129P .....	31
Door Lock Solenoid Shim F8133601 .....	31
Door Spray Nozzle Assembly F8356301 .....	29
Door Switch F8165201 .....	19, 31
Drain Connector Tee F8017101 .....	53
Drain Hose F0150331-00 .....	53
F200165100 .....	53, 55
F8105901 .....	53
F8362801 .....	55
Drain Valve Cover F200133600 .....	53, 55
Drain Valve Harness F8028301P .....	53
F8257001P .....	55
F8257002 .....	53, 55
Drain Valve Motor F380933P .....	55
Drip Rail F150364 .....	35, 37
Drive Box Bottom Panel F8282401 .....	23
Drive Box Rear Panel F8278202 .....	23
Drive Bracket F8322402 .....	15
Drive Control Harness F8030101P .....	11
F8030201P .....	15
Drive Fan Harness F8113901 .....	17
Drive Mounting Box F8346401 .....	25
Drive Mounting Bracket F8386901 .....	15
Drive Power Harness F8027801P .....	15
Dual Drain Harness F8257101 .....	53

N/A items do not appear in index.



---

**E**

Earth Terminal Sticker	
M412096 .....	17
Elbow	
F420501 .....	45, 49
F420509 .....	45
F422319 .....	27, 29
F422900 .....	35
F8123101 .....	53
70079601 .....	63
Electric Heat Coils Harness	
F8054901 .....	15
F8054903 .....	15
Electric Heat Harness	
F8054601 .....	15
F8054602 .....	15
F8054603 .....	15
F8054701P .....	61
F8054702 .....	61
F8056701 .....	61
Electric Shock Danger Label	
F8115501 .....	17
Electrical Access Panel	
F8359201 .....	25
Electrical Shock Label	
502511 .....	9, 21, 23
Emergency Stop Harness	
F8060501 .....	9
Emergency Stop Pushbutton	
F200233500 .....	9
EMI Filter	
F8053901P .....	15
F8053902 .....	15
EMI Filter Power Harness	
F8129001 .....	15
Ethernet Gateway Kit	
NK320 .....	9
Expansion Clip	
70030501 .....	9, 11, 21, 23, 25
Extension Arm Kit	
F746800 .....	31
Extension Arm Tab	
F601639 .....	31
External Supply Box	
F8055301 .....	9
External Supply Box Cover	
F635365 .....	9
External Supply Connection Decal	
F8059801 .....	9
F8150201 .....	9
External Supply Harness	
F8029501P .....	13
F8191201P .....	13
External Supply Label	
F8161701 .....	9
Extrusion Insert	
F150397 .....	21

---

**F**

Face Seal	
F8162101 .....	35, 37
F8162201 .....	35, 37
Female Pin Terminal	
00117 .....	13
Fill Plumbing Assembly	
F8076101P .....	45, 49
F8288401 .....	51
Fill Plumbing Connection	
F8117101 .....	45, 49
Fill Port	
F8351601 .....	47
Fill Valve Harness	
F8073702P .....	49
F8347102 .....	47, 51
Fill/Supply Harness	
F8158901P .....	49
F8347501 .....	47, 51
Fill/Supply Valve Harness	
F8073701P .....	45
Filter	
F200318900P .....	11, 17
Filter Retainer Guard	
F220900 .....	11, 17
Frame Weldment	
F8084801 .....	35
F8166001 .....	35
F8380701 .....	37
F8380702 .....	37
Front Bearing Kit	
F798824-00 .....	57, 59
Front Box Cover	
F8079801 .....	23
Front Bulkhead Panel	
F8283301 .....	23
F8353001 .....	25
Front Panel	
F8070801 .....	21
Fuse	
802492 .....	11
802493 .....	11

---

**G**

Gasket	
F170158P .....	39
Gate Valve	
F380500 .....	45, 49
Glass	
F290203P .....	27, 29
Glass Kit	
F290202P .....	27
Gravity Drain Valve	
803292 .....	53, 55
Grease Fitting	
F190701 .....	57, 59
Grease Gun	
F210207P .....	67
Grease Gun Kit	
F798700 .....	67

N/A items do not appear in index.

Grease Instruction Decal	
F231563 .....	57, 59
Ground Decal	
F230630 .....	15
F230739 .....	15
Ground Lug Connector	
M411283 .....	17

## H

Handle Spacer	
F609822 .....	31
Harness	
F8030001 .....	17
F8030002P .....	17
Heating Element	
F360203P .....	61
Heating Element Plug	
F360202 .....	61
High Hole Glass	
F8350801 .....	29
Hole Plug	
F8223801 .....	17
Hose	
C002658 .....	45, 49
C002662 .....	47
F200104P .....	45
F8137502 .....	45, 49
F8137504 .....	45
F8232006 .....	47
F8232007 .....	47, 51
Hose Adapter	
F421908 .....	45, 47, 49
F421909 .....	45, 49
Hose Barb	
F421929 .....	35, 37, 55
F421951 .....	45, 47, 49
F421964 .....	45, 49
F8110701 .....	45, 47, 49, 51
Hose Clamp	
F200201 .....	55
F200213 .....	39, 53, 55
F200215 .....	35, 37, 53
F200222 .....	11, 45, 47, 49
36801 .....	35, 37, 41, 43, 47, 51, 55
Hose Connector	
F200302 .....	41
Hot Spray Plumbing Assembly	
F8074701 .....	45
Hot Surface Warning Decal	
F200085000 .....	27, 29
Hot Surface Warning Plate	
F8211901 .....	23
Hot Water and Chemical Caution Decal	
F200085300 .....	39

## I

Injection Nozzle	
F8322001 .....	39
Injection Nozzle Kit	
F730168 .....	39

Insulator	
M413862 .....	15
Interlock Contactor	
F330186P .....	17
Interlock Switch	
F340900 .....	31
Interlock Switch Harness	
F8030501P .....	11
F8158801P .....	11
Interlock Switch Spacer	
F601055 .....	31

## J

Jumper Configuration Assembly	
M413507 .....	11
Jumper Harness Assembly	
M413506 .....	11

## K

Key	
F430802 .....	57, 59

## L

Left Side Cover	
F8077202 .....	23
F8278102 .....	23
F8352602 .....	25
Left Side Panel	
F8079502 .....	21
Lock Bracket	
F8127401 .....	31
Logic Supply Power Harness	
F8060001 .....	15
Lower Belt Guard Assembly	
F8244001 .....	21
Lower Door Latch Bracket Casting	
F150202 .....	31
Lower Door Latch Casting	
F150204 .....	31
Lower Overflow Hose	
F8124001 .....	53

## M

Magnet	
F8390801 .....	31
Main Power Harness	
F8060301 .....	15
Male Tab Terminal	
00177 .....	11, 17
Manifold	
F8333201 .....	47, 51
Manual Bearing Greasing Retrofit Kit	
F745401 .....	57, 59
Molded Drain	
F8352901 .....	55

N/A items do not appear in index.

Motor	
F8330001P .....	59
Motor Drip Shield	
F200216900 .....	59
Motor Harness	
F8049201 .....	57, 59
Motor Kit	
F8356401 .....	57
Motor Pulley Bushing	
F280211P .....	57, 59
Motor Support Rod Kit	
F730076 .....	59
Mount on Concrete Warning Label	
F8246401 .....	21
Moving Parts Plug Warning Decal	
F200085500 .....	35, 37
Muffin Fan	
F110110 .....	11, 17

## N

Network Board Assembly	
201341 .....	11
Network Board Bracket	
F8079401 .....	11
Network Controller Kit	
NK220 .....	9
Network Retrofit Kit	
NK205 .....	9
Network Wire Harness Assembly	
44088501P .....	11
Nipple	
F420103 .....	45
F420105 .....	45, 49
F421921 .....	47
F8079601 .....	45, 49
F8110301 .....	45, 49
F8110601 .....	45
No-Swivel Coupling	
F422109 .....	27, 29
Nut	
F430202 .....	31
F430211 .....	21
F430215 .....	33
F430231 .....	11, 17, 31
F430232 .....	11
F430233 .....	59
F430264 .....	21, 23, 25, 31
F431005 .....	27, 29, 39
F431022 .....	27, 29, 33
F431026 .....	27, 29, 31
F8322601 .....	29
20274 .....	35, 37, 57
44087301 .....	19
685846 .....	9
802292 .....	39
802337 .....	31

## O

O-Ring	
F0170221-00 .....	45
F170201 .....	27, 29

F170208 .....	39
F170215 .....	39
Output Assembly	
F8108501P .....	11
Output Auxiliary Power Harness	
F8028401 .....	11
Output/Logic Harness	
F8028701 .....	15
Overflow Hose	
F8362901 .....	55
Overlay	
F8297101 .....	9

## P

Panel Locator	
56079 .....	21
PC Board Standoff	
210098 .....	9
Pipe	
F610155 .....	35, 53
F8125001 .....	53
F8125101 .....	53
Pipe Nipple	
70263801 .....	63
901403 .....	63, 65
Plug	
F0200237-00 .....	35, 37
F140527 .....	13
F420409 .....	63, 65
F8144101 .....	17
F8223901 .....	13, 17
M400985 .....	13
Plug Cap	
F190304 .....	39
Pop Rivet	
F431210 .....	9, 11, 27, 29, 31
F431215 .....	35, 37, 55
70058501 .....	17, 23
Power Distribution Block Cover	
44014901P .....	15
Power Harness	
F8060401P .....	11
Pulley	
F280146P .....	57
F280410 .....	57, 59
Push Decal	
F230303 .....	27, 29
Push Handle Kit	
F746201-1 .....	27, 29

## R

Rear Bearing Kit	
F745010 .....	57, 59
Rear Drive Box Panel	
F8118302 .....	23
Rear Water Box Panel	
F8118301 .....	23
Rebar Frame Template	
F604501 .....	67

N/A items do not appear in index.

Reducer Bushing		20253	21, 23, 47
F421936	19	39733	15
F8100301	45	51780	13, 17
Reed Switch Assembly		51783	17
F8066801P	31	70182601	21
Retainer Ring Spinning		70240301	21
F320100	27, 29	70321501	65
Reuse Kit		70391101	33
F924P3	67	70442301	47
Reversing Contactor Harness		Scupper	
F8131801	17	F150389	35, 37, 55
Reversing Contactor Jumper Assembly		Seal Kit	
44136801	17	F798819-00	35, 37
Right Side Cover		Shaft Lift Tool Kit	
F8077201	23	F8436801P	59
F8278101	23	Shaft Seal Alignment Fixture	
F8352601	25	F0100312-00	67
Right Side Panel		Sheave	
F8079501	21	F8201601	59
Ring Retainer		Shell Band Fastener Kit	
F310206	27, 29	F791001	33
Rivet		Shell Band Kit	
M412763	21	F741701	33
Rocker Switch		Shell Front Assembly	
F8367701	9	F200119800	33
Rotation Sensor		Shell Front Gasket Kit	
F8066201	19	F8513501	33
Rotation Sensor Bracket		Shell Front Kit	
F8103101	19	F741305	27, 29
Rotation Sensor Harness		Shell Gasket Shield	
F8066401	19	F601216	33
Rub Rail		Shell Mounting Bracket	
F150407	21	F601806	35, 37
		Shell Reinforcement Plate	
		F8084101	35, 37
		Shell Reinforcement Plate Assembly	
		F8084201	55
		Shell Weldment	
		F8081301	35, 63
		F8081302	35, 61
		F8366001	37, 65
		F8366002	37, 61
		Side Electrical Panel	
		F8352501	25
		Side Panel Cover	
		F8098302	21
		Side Water Box Panel	
		F8359002	25
		Slinger	
		F100203	35, 37
		Snap Bushing	
		F140938	11
		F8332501	25
		M402542	13, 17
		M405340	11
		Soap Dispenser Shroud Weldment	
		F8024302	39
		Solenoid Mount Bracket	
		F8127501	31
		Spin Warning Decal	
		F200085100	39
		Spray Nozzle Gasket	
		F8322701	29

## S

Screw	
F430103	27, 29
F430168	31
F430174	9
F430502	27, 29
F430518	33
F430903	9, 11, 17
F430909	31
F430910	11
F430913	35, 37
F430916	31
F430917	27, 29, 31, 33, 39
F430921	21
F430924	35, 37
F430927	31
F430938	45
F430948	11, 41, 43
F430956	21, 31
F430993	57
F430995	31
F8111101	19
F8117601	9, 11, 21, 23
F8122701	19
F8136601	13
F8151201	17
F8206901	11, 15, 21, 23, 25
M409385	19
M411072	15, 17, 21
M412105	17

N/A items do not appear in index.

Spray Pipe Assembly F8126201 .....	27, 29
Spray Rinse Bracket Assembly F602901P .....	27, 29, 33
Spray Rinse Hose Assembly F8379601 .....	29
Spray Rinse Hose Kit F730025 .....	27
Spray Rinse Nozzle Kit F730077 .....	27
Spray Rinse Strap F602880 .....	27, 29, 33
Spring F310127 .....	59
Steam Assembly F8104501 .....	63
F8394501 .....	65
Steam Filter F270307 .....	63, 65
Steam Heat Kit F943P3 .....	65
F947P3 .....	63
Steam Hose F200197 .....	63, 65
Steam Injector Tube Assembly F603131 .....	63, 65
Steam Valve F380787P .....	63
Steam-Electric Switch Label F8368301 .....	9
Step Down Power Harness F8405101 .....	17
Strain Relief Adapter Kit F749802 .....	39
Strain Relief Connector F140340P .....	39
Strainer F270200 .....	41
Street Elbow F420500 .....	45, 49
F420502 .....	45, 49
F421703 .....	63, 65
H86070034 .....	63
Stud Weldment F630315 .....	27
Supply Controls Bracket F8103001 .....	9
Supply Dispenser Spacer F0150525-00 .....	39
Supply/Fill Module Harness F8073601P .....	45, 49
Support Bracket F8302601 .....	23
F8302602 .....	23
Swivel Coupling F422108 .....	27, 29

## T

Tee F420400 .....	45, 49
F422208 .....	47
F8123001 .....	53

F8137401 .....	35, 37, 55
F8246601 .....	11
Temperature Configuration Harness F8028235 .....	11
F8028239P .....	11
Temperature Harness F8028221P .....	19
F8028223 .....	19
Terminal Block M413865 .....	15
430642 .....	15
Terminal Block Assembly F8106401 .....	13
Terminal Block Shield 70333001 .....	15
Thermistor Sensor F370609 .....	19
Top Center Panel F8076801 .....	23
F8353101 .....	25
Top Latch Bracket Casting F150201P .....	31
Top Support Brace F8076901 .....	23
Transformer F360157P .....	17
201616P .....	11
803527P .....	11
Trim F170400RP .....	39
F170404 .....	35, 37
F8152701 .....	9
F8152703 .....	17
Tubing C000628P .....	57, 59
F8153901 .....	11
F8339601 .....	11

## U

U-Bolt Clamp F200401P .....	45, 49, 63
UniLinc PC and PDA Software CD F8133301 .....	67
F8133701 .....	67
Upper Belt Guard Assembly F8243901 .....	21
Upper Overflow Hose F8123901 .....	53
USB Gateway Kit NK330 .....	9
USB IR Device Assembly F8167901 .....	67
Use Copper Conductors Only Caution Label F8242201 .....	15

## V

Vacuum Breaker F380117 .....	35
Vacuum Breaker Cap F0380808-00 .....	45

N/A items do not appear in index.

Vacuum Breaker Valve	
F063754701P .....	45
F380800P .....	45
Valve	
F381703P .....	45
F8322801P .....	65
F8322803P .....	47, 51
Valve Kit	
F8379501 .....	47
Valve Mounting Bracket	
F8331901 .....	43
Valve Transition Kit	
F8456201 .....	47, 51
Valve, 4-Way	
F381723P .....	41
F8336601 .....	43
Vent Assembly	
F8123301 .....	35
Vent Hose	
F8124601 .....	35
F8363601 .....	37

---

## W

Warning Label	
F8233501 .....	9, 23, 25, 45, 49
44127701 .....	11, 15, 21, 23, 25, 35, 37
Washer	
F430300 .....	57
F430317 .....	33
F431100 .....	21, 27, 29, 31, 39
F431108 .....	31
F431112 .....	35, 37
F431113 .....	33
F431116 .....	35, 37
F431118 .....	31
F431133 .....	39
F431134 .....	57, 59
F431147 .....	39
M400013 .....	35, 37
M400014 .....	35, 37, 57
M400080 .....	59
M400081 .....	35, 37, 57
M405535 .....	21
20290 .....	45, 47, 49
803615 .....	45, 47, 49
Water Box Bottom Panel	
F8278401 .....	23
Water Box Rear Panel	
F8278201 .....	23
Water Box Side/Front	
F8078601 .....	23
Water Hose	
F200107P .....	35, 37, 55
F200110P .....	41, 43
F200164 .....	45, 47, 49
F200165 .....	45, 49
F200166 .....	45, 47, 49
Water Line Caution Decal	
F230734 .....	23
Water Pressure Switch	
F8223001P .....	11
Water Valve Assembly Decal	
F230754 .....	41

Wet-Clean Kit	
F923P3 .....	67
F925P3 .....	67
Wire Label	
70218701 .....	15
Wireless Network Kit	
NK301 .....	9

---

## Y

Y Connector	
F422816 .....	41, 43

---

N/A items do not appear in index.