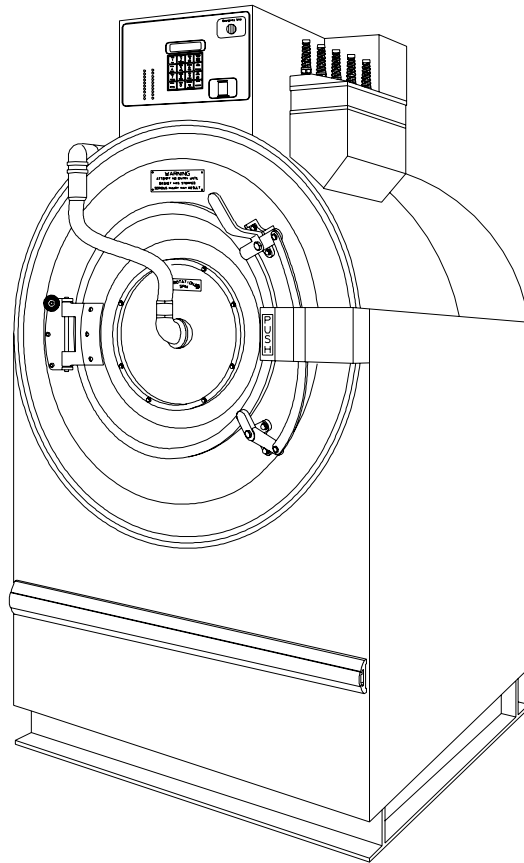


Washer-Extractor

Pocket Hardmount

Design Series 1-4

Refer to Page 5 for Model Numbers



P005C_F232149

Table of Contents

Title	Page
Parts Ordering Information.....	3
Nameplate Location	3
Model Identification	5
Pocket Hardmount Washer-Extractor Product Overview	6
Decals	8
Control Module - WE-5 Microprocessor	10
Control Module - WE-6 Microprocessor (Drawing 1 of 3)	12
Control Module - WE-6 Microprocessor (Drawing 2 of 3)	14
Control Module - WE-6 Microprocessor (Drawing 3 of 3)	16
Control Module - Models UW60S2 and UW60S3 (Drawing 1 of 2).....	18
Control Module - Models UW60S2 and UW60S3 (Drawing 2 of 2).....	20
Control Module - Model UW60M2.....	22
Balance Switch and Temperature Probe	24
Stainless Steel Soap Dispenser Supply Plumbing.....	26
Polypropylene Supply Dispenser - UW60, UW65 and UW85 Models	28
Supply Dispenser - UW50 Models	30
Spray Plumbing - Models UW60M2, UW60P2, UW60P3, UW60S2 and UW60S3	32
Fill Plumbing - Models UW60M2, UW60P2, UW60P3, UW60S2 and UW60S3	34
Spray and Fill Plumbing - 3/4 Inch Valves; Models UW50P2, UW50P3, UW50P4 and UW65P4	36
Spray and Fill Plumbing - 1/2 Inch Valves; Models UW50P2, UW50P3 and UW50P4.....	38
Spray and Fill Plumbing - Models UW85P3 and UW85P4.....	40
Vacuum Breaker Assembly with Leak Containment Kit.....	42
Drain - Models UW60M2, UW60P2, UW60P3, UW60S2 and UW60S3	44
Motorized Drain Valve.....	46
Ball Drain Valve - Models UW50P2, UW50P3 and UW50P4.....	48
Drain - Models UW50P2, UW50P3 and UW50P4.....	50
Drain - Models UW65P4, UW85P3 and UW85P4.....	52
Basket, Shell and Frame (Drawing 1 of 2)	54
Basket, Shell and Frame (Drawing 2 of 2)	56
Door and Spray Tube.....	58
Door Lock Assembly	60
Right Door Box - Models UW50P2, UW50P3, UW50P4, UW65P4, UW85P3 and UW85P4 with WE-5 Computer	62
Left Door Box - Models UW50P2, UW50P3, UW50P4, UW65P4, UW85P3 and UW85P4	64
Front, Side and Rear Panels.....	66
Motor, Bearings, Pulley and Belt - Model UW50P2	68
Motor, Bearings, Pulley and Belt - Model UW50P3	70
Motor, Bearings, Pulley and Belt - Model UW50P4	72
Motor, Bearings, Pulley and Belt - Models UW60M2, UW60P2 and UW60S2	74
Motor, Bearings, Pulley and Belt - Models UW60P3 and UW60S3	76
Motor, Bearings, Pulley and Belt - Models UW65P4, UW85P3 and UW85P4.....	78
Electric Heat Option	80

© Copyright 2013, Alliance Laundry Systems LLC

All rights reserved. No part of the contents of this book may be reproduced or transmitted in any form or by any means without the expressed written consent of the publisher.

Steam Heat Option	82
Security Fasteners	84
Special Tools	86
Parts Index	89

Parts Ordering Information

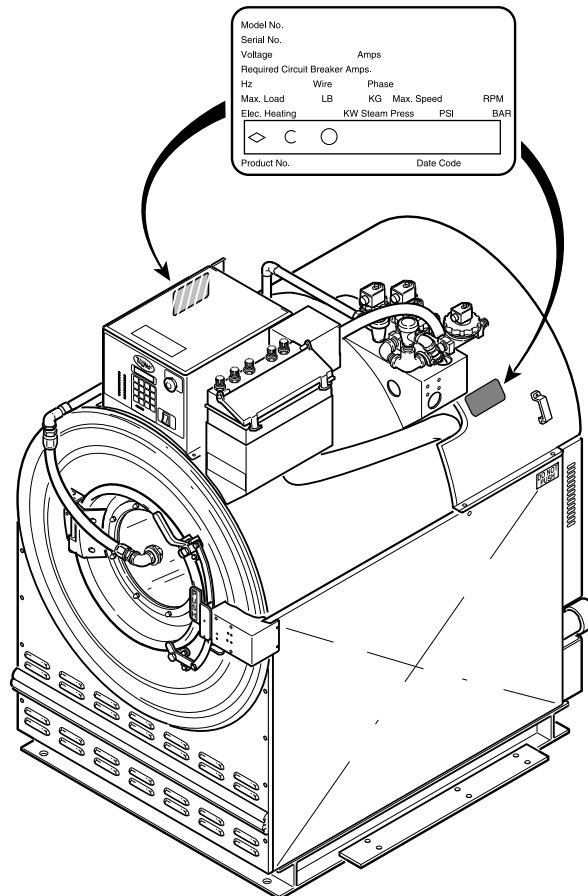
If literature or replacement parts are required, contact the source from whom the machine was purchased or contact Alliance Laundry Systems at (920) 748-3950 for the name and address of the nearest authorized parts distributor.

For technical assistance, call either of the numbers listed below:

(920) 748-3121 Ripon, Wisconsin
+32 56 41 20 54 Wevelgem, Belgium

Nameplate Location

When calling or writing about your product, be sure to mention model and serial numbers. Model and serial numbers are located on nameplate(s) as shown.



PHM2306P_F232149

Model Identification

Information in this manual is applicable to these washer-extractor models:

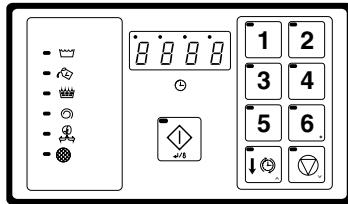
UW50P2	UW60M2	UW65P4	UW85P3
UW50P3	UW60P2		UW85P4
UW50P4	UW60P3		
	UW60S2		
	UW60S3		

NOTE: Models with either 1, 2, 3 or 4 in the 9th position in the model number (e.g. UW60M2OU40001)

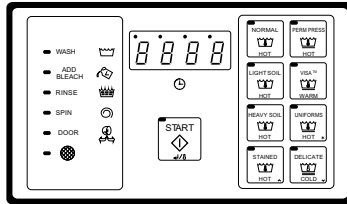
Pocket Hardmount Washer-Extractor Product Overview

Model No. UW60AMXUB0001
 Serial No. 0000000000
 Voltage 200 – 240 Amps 10
 Circuit Breaker 15 Amps
 Hz 50 – 60 Wire 2/3 Phase S 3
 Max. Load 60 LB 27 KG Max. Speed 594 RPM
 Elec. Heating N/A Steam Press. N/A PSI 0.0 BAR

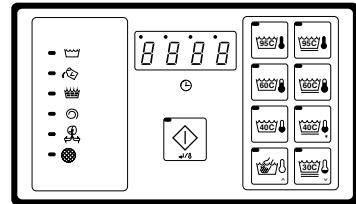
Drawings:
 ETL Listed
 Conforms To ANSI/UL Std. 1206, 3rd Ed
 Certified To CAN/CSA Std. C22.2 No.53-1968



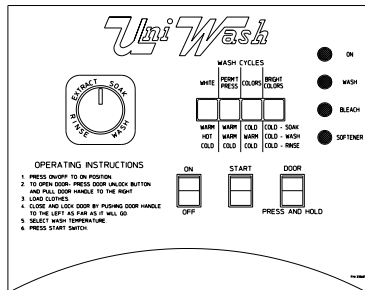
A-Control



B-Control (Domestic)



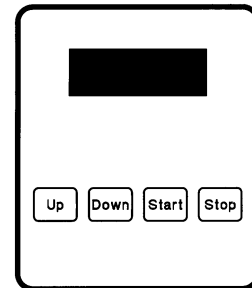
B-Control (International)



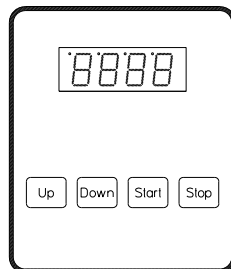
Mechanical Timer



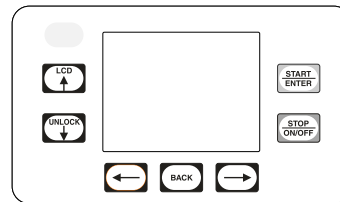
WE-6 Control



S-Computer



V-Computer



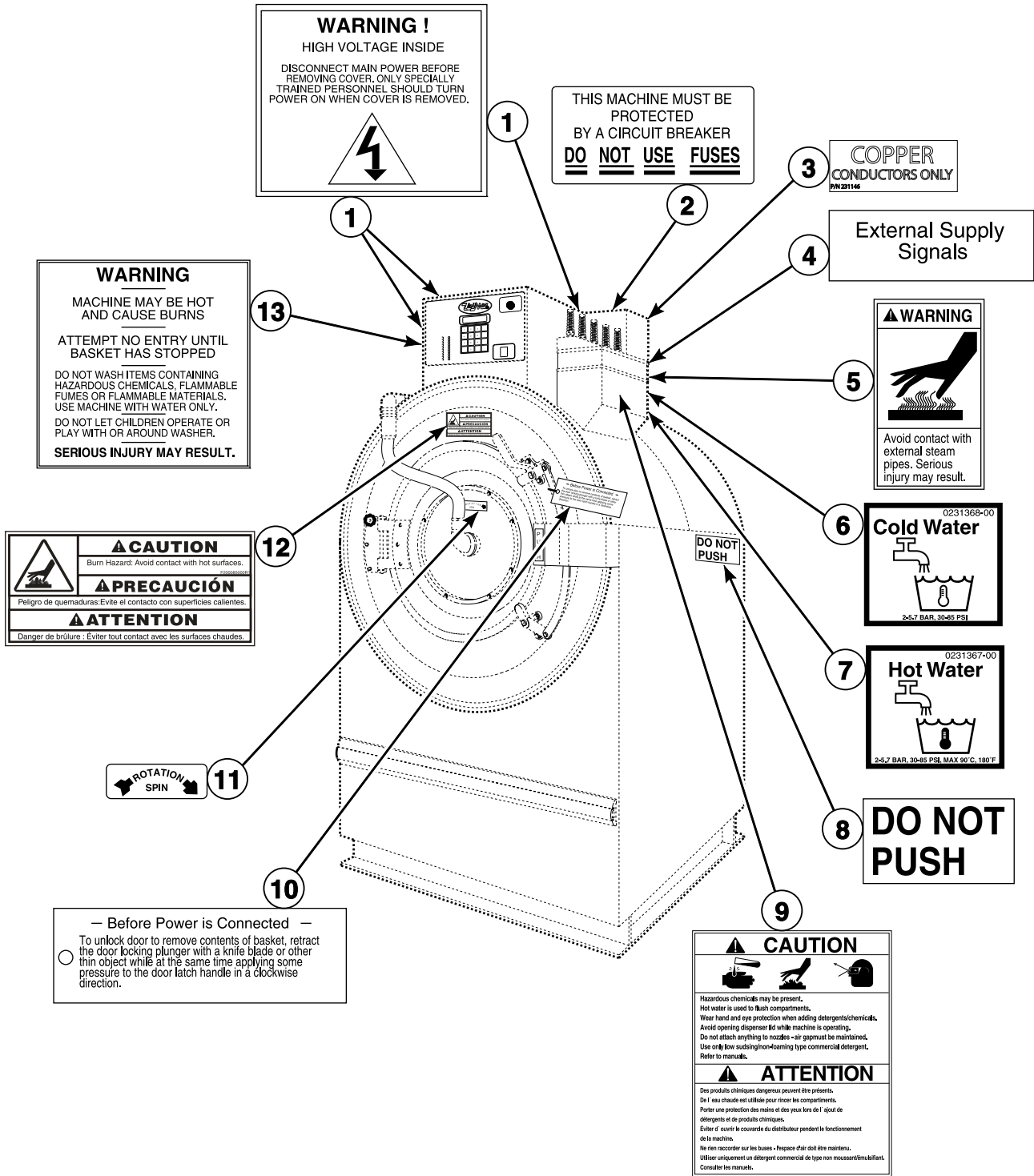
UniLinc Control

PHM2979P_F232149

Pocket Hardmount Washer-Extractor Product Overview

REF	PART NO.	DESCRIPTION	COMMENTS
1	-	Product Family	UW
2	-	Capacity (Pounds)	35 60 80 100 125 150
3	-	Control	A (A-Control) B (B-Control) M (Mechanical Timer) P (WE-6 Control) S (S-Computer) V (V-Computer) T (UniLinc Control)
4	-	Speed	2 (2-Speed) 3 (3-Speed) 4 (4-Speed) V (Variable-Speed)
5	-	Voltage	F (440-480/60/3/3) N (440-480/50-60/3/3) O (208-240/60/3/3) P (380-415/60-60/3/3) Q (200-208/220-240/50/60/3ph) R (380-415/440-480/50/60/3ph) X (200-220/220-240/50/60/1-3) Y (208-240/60/1/2)
6	-	OEM	U (Standard Specs)
7	-	Design Series	1-8

Decals



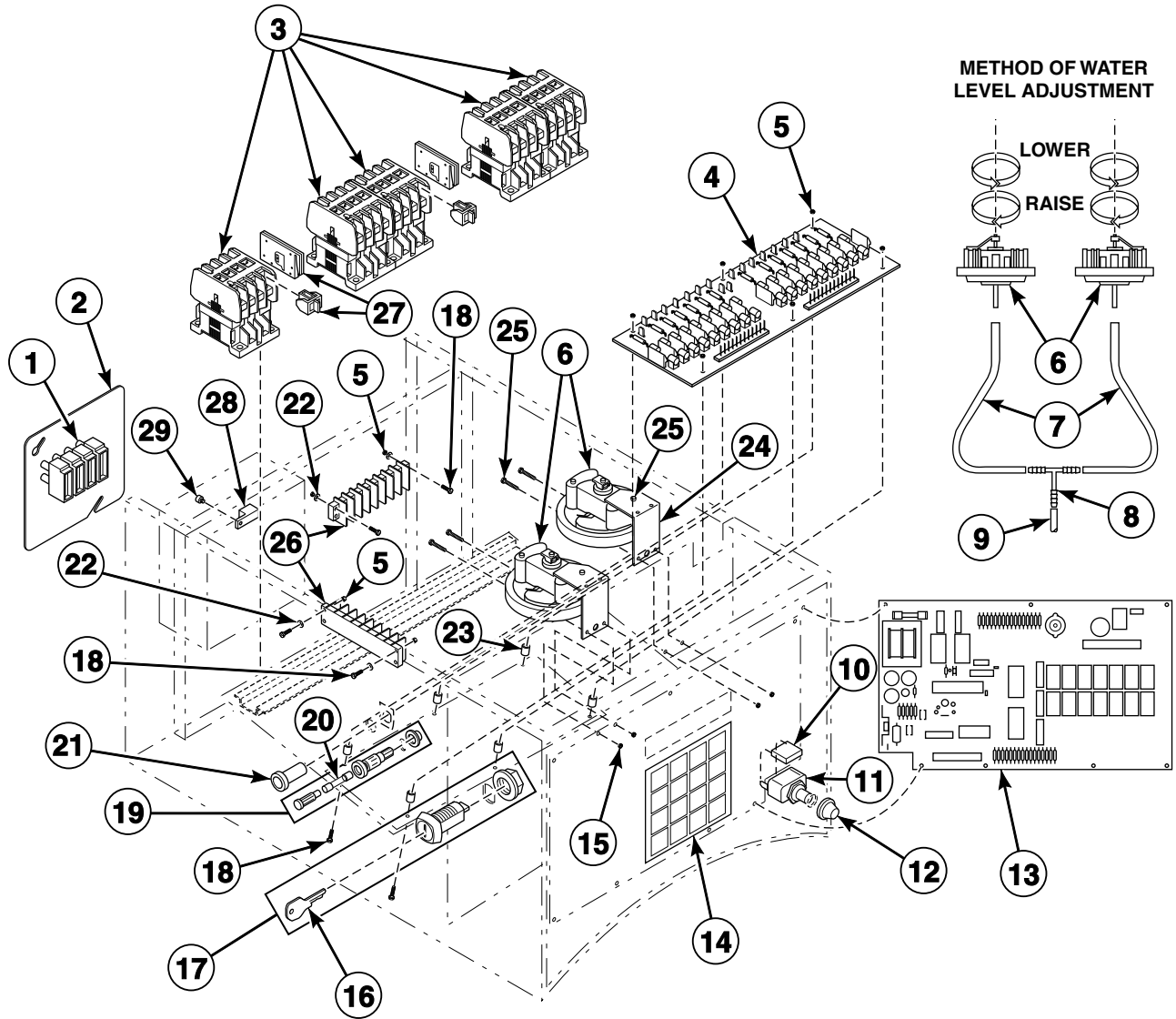
PHM2977P_F232149

Decals

REF	PART NO.	DESCRIPTION	COMMENTS
1	505281	Disconnect Power Warning Label	
2	F230301	This Machine Must Be Protected Decal	
3	F231146	Conductor Decal	
4	F230917-1	External Supply Connection Decal	
5	F231380	Hot Surface Warning Decal	
6	F231368	Cold Water Valve Decal	
7	F231367	Hot Water Valve Decal	
8	F230302	Do Not Push Decal	
9	F231436	Supply Dispenser Hazard Caution Decal	
10	F230501	Before Power Is Connected Tag	
11	F230652	Clockwise Spin Rotation Decal	
12	F200085000	Hot Surface Warning Decal	
13	F231065	Personal Injury Warning Decal	

Control Module - WE-5 Microprocessor

Models UW50P2, UW50P3, UW50P4, UW65P4, UW85P3 and UW85P4



PHM2287P_F232149

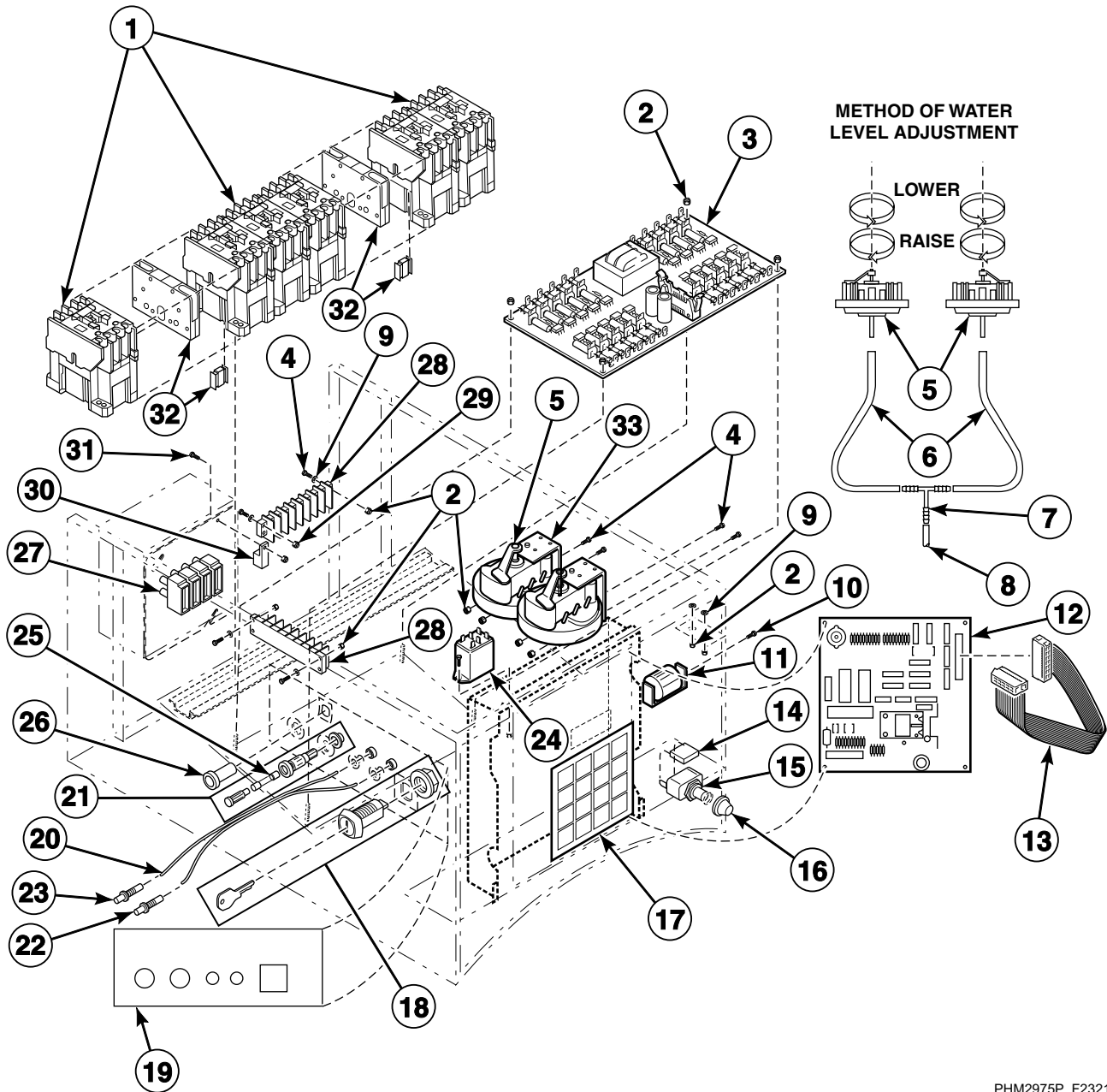
Control Module - WE-5 Microprocessor

REF	PART NO.	DESCRIPTION	COMMENTS
1	F140746	Input Power Block	
2	F140401	Junction Box Cover	
3	F330110P	Contactora	Fwd/Rev; 120 Volt
	F330114	Contactora	Fwd/Rev; 220 Volt
	F330115P	Contactora	Med/High; 120 Volt
	N/A	Contactora	Med/High; 220 Volt
	F603433	Jumper	J4
	F603434	Jumper	J5
4	F350108	Fuse	1/8 Amp
	F730292	Fuse Board Kit	
5	F431022	Nut	
6	F340308P	Water Level Switch	Models UW50P2, UW50P3, UW50P4 and UW65P4
	F340309P	Water Level Switch	Models UW85P3 and UW85P4
7	F422404P	Tubing	
8	F422805	Tee	
9	F020014200	Air Trap Hose	Models UW50P2, UW50P3 and UW50P4
	F200163	Air Trap Hose	Models UW65P4, UW85P3 and UW85P4
10	F330217P	RC Network Filter	Includes F140627 Connector and F141022 Connector
11	F340403P	Switch	
12	F340409	Pushbutton Boot	
13	F370717P	WE-5 Board	
14	F340600P	Microswitch Decal	
15	F431006	Nut	
16	F370705	Programmer Key	
17	F340800P	Keymode Run/Program Switch	
18	F430916	Screw	
19	F350304P	Fuse Holder	Includes item 20
20	F350104	Fuse	2 Amp
21	F350412	Light	Red; 120 Volt
	F350414	Light	Red; 220 Volt
22	F431113	Washer	
23	F431911	Spacer	
24	F603912	Level Switch Mounting Bracket	
25	F430928	Screw	
26	F140738	Terminal Strip	
27	F330111	Mechanical Interlock	
28	F140734	Ground Terminal Lug	
29	F430903	Screw	

N/A = Part no longer available

Control Module - WE-6 Microprocessor (Drawing 1 of 3)

Models UW50P2, UW50P3 and UW50P4



PHM2975P_F232149

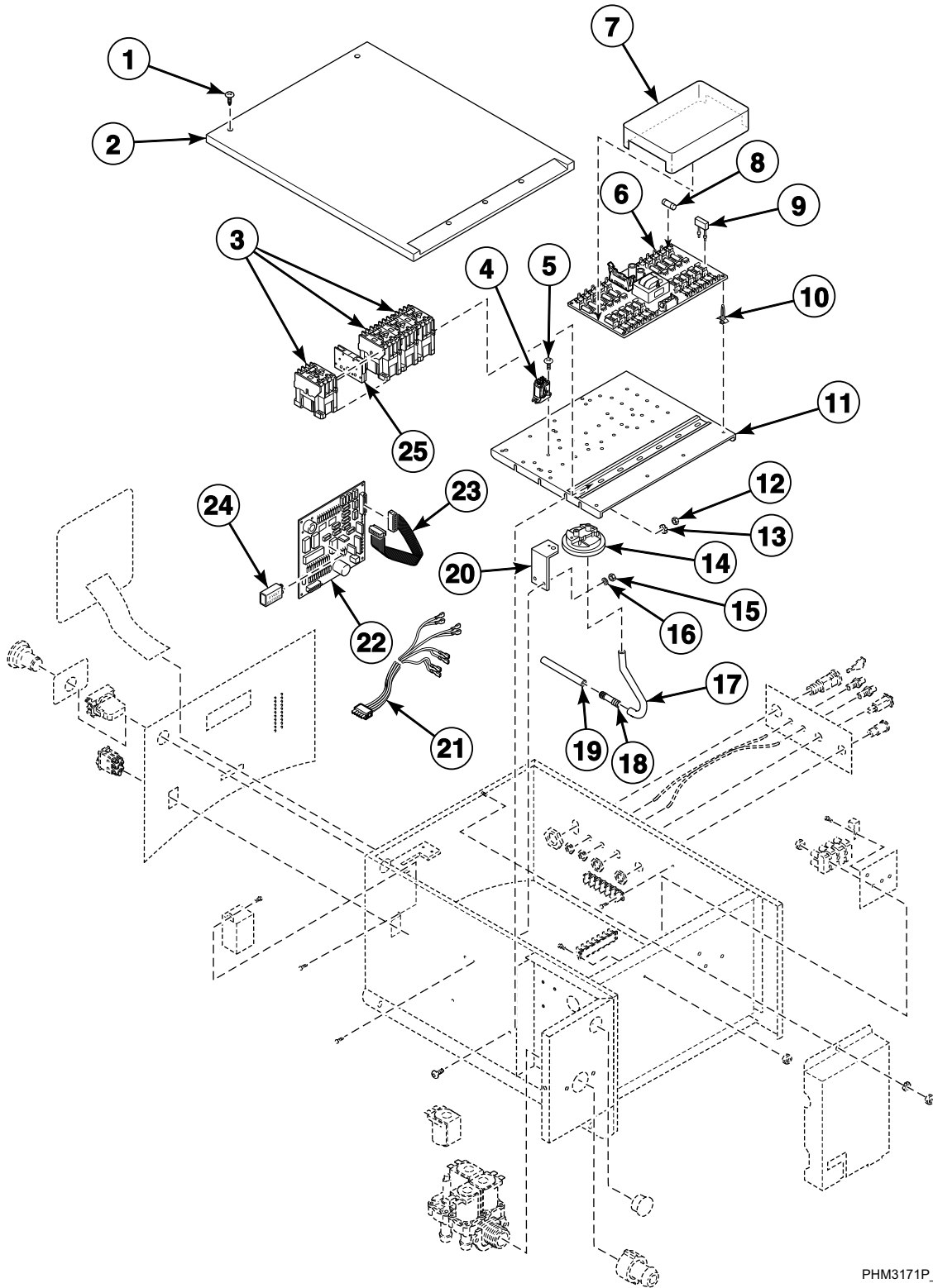
Control Module - WE-6 Microprocessor (Drawing 1 of 3)

REF	PART NO.	DESCRIPTION	COMMENTS
1	F330175P	Contactora	120 Volt; 16 Amp
	F330177P	Contactora	220 Volt; 16 Amp
	F330178P	Contactora	120 Volt; 24 Amp
	F330179P	Contactora	220 Volt; 24 Amp
2	F431022	Nut	
3	F0370444-10P	Output CCA	
4	F430916	Screw	
5	F340308P	Water Level Switch	
6	F422404P	Tubing	
7	F422805	Tee	
8	F200163	Air Trap Hose	
9	F431113	Washer	
10	F430928	Screw	
11	F300203P	Buzzer	120 Volt
	N/A	Buzzer	220 Volt
12	F370534-00P	WE-6 Computer	
13	F140219P	Ribbon Cable	15 inches; Connects output cca to computer
14	F330217P	RC Network Filter	Includes F140627 Connector and F141022 Connector
15	F340403P	Switch	
16	F340409	Pushbutton Boot	
17	F230724P	Keypad Decal	
18	F340800P	Keymode Run/Program Switch	
19	F230678	Keymode Decal	
20	F604713	Cable Assembly	
21	F350304P	Fuse Holder	Includes item 25
22	F140576P	Connector	Blue
23	F140575P	Connector	Gray
24	F330227	Flange Relay	120 Volt
	F330230	Flange Relay	220 Volt
25	F350104	Fuse	2 Amp
26	F350412	Light	Red; 120 Volt
	F350414	Light	Red; 220 Volt
27	F140746	Input Power Block	
28	F140738	Terminal Strip	
29	685846	Nut	
30	F140734	Ground Terminal Lug	
31	F430920	Screw	
32	F330186P	Interlock Contactora	
33	F603912	Level Switch Mounting Bracket	

N/A = Part no longer available

Control Module - WE-6 Microprocessor (Drawing 2 of 3)

Models UW60P2, UW60P3, UW65P4, UW85P3 and UW85P4



PHM3171P_F232149

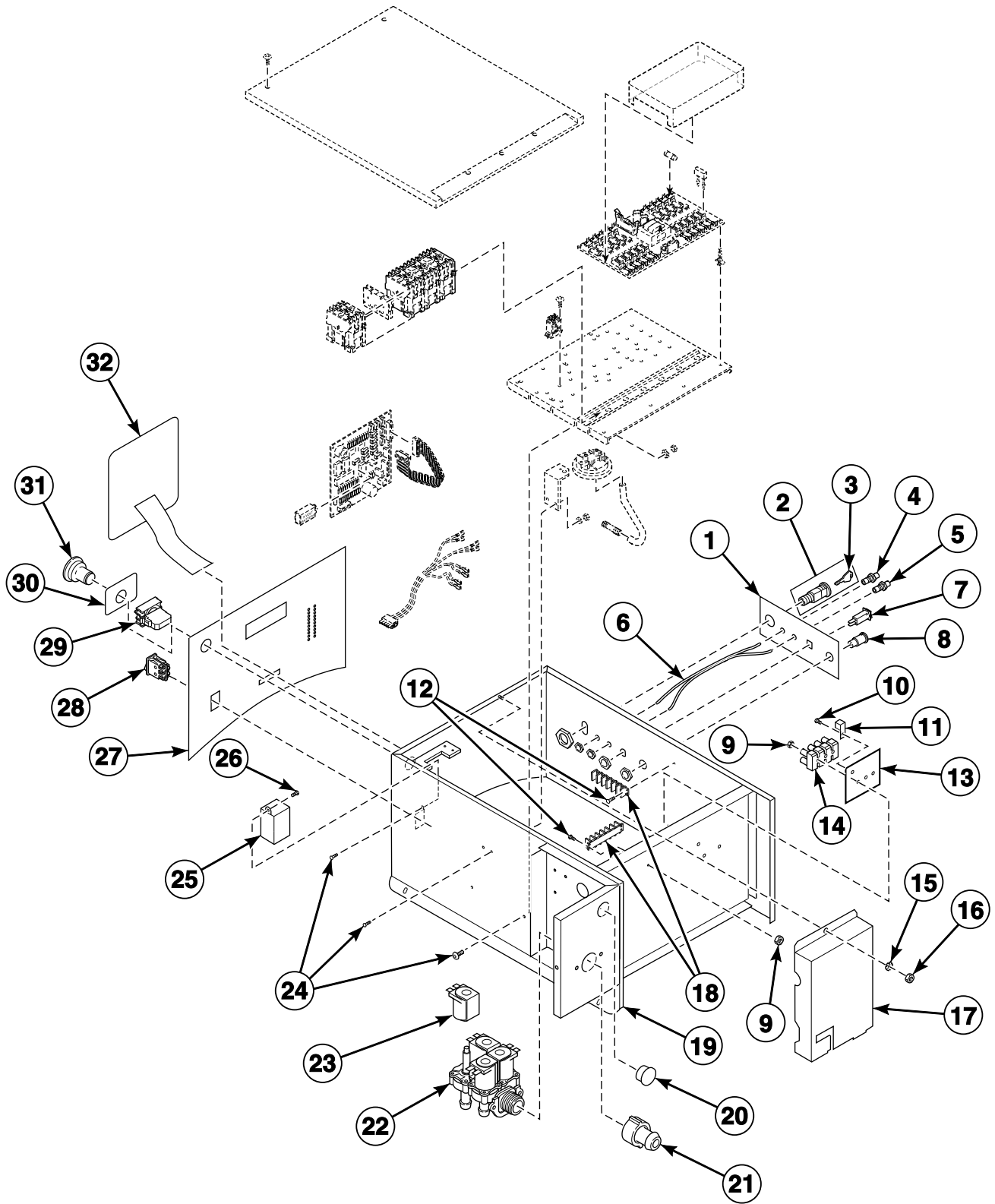
Control Module - WE-6 Microprocessor (Drawing 2 of 3)

REF	PART NO.	DESCRIPTION	COMMENTS
1	F430174	Screw	
2	F606138	Module Cover Assembly	
3	F330175P	Contactora	120 Volt; C16
	F330177P	Contactora	220 Volt; C16
	F330178P	Contactora	120 Volt; C23
	F330179P	Contactora	220 Volt; C23
4	F330227	Flange Relay	120 Volt
	F330230	Flange Relay	220 Volt
5	N/A	Screw	
6	F0370444-10P	Output CCA	120 Volt
	F8321901P	Output CCA	220 Volt
7	N/A	Dust Cover	
8	F350108	Fuse	.125 Amp
	F350109	Fuse	.5 Amp
	F350133	Fuse	1.25 Amp
	F350115	Fuse	3 Amp
9	F330217P	RC Network Filter	Includes F140627 Connector and F141022 Connector
10	F180506	Standoff	
11	F608381	Contactora Mounting Panel Assembly	
12	F430231	Nut	
13	F431108	Washer	
14	F0340347-10P	Water Level Switch	Single level switch configuration
	F340308P	Water Level Switch	Dual level switch configuration
15	F431022	Nut	
16	F431113	Washer	
17	F422404P	Tubing	
18	F422500	Connector	
19	F020014200	Air Trap Hose	
20	F630242	Water Level Switch Bracket	
21	F141870P	Harness Kit	Replaces old style terminal block
22	F370534-00P	WE-6 Computer	
23	F140219P	Ribbon Cable	15 inches; Connects output cca to computer
24	F191101	Battery	
25	F330186P	Interlock Contactora	100-MCA00

N/A = Part no longer available

Control Module - WE-6 Microprocessor (Drawing 3 of 3)

Models UW60P2, UW60P3, UW65P4, UW85P3 and UW85P4



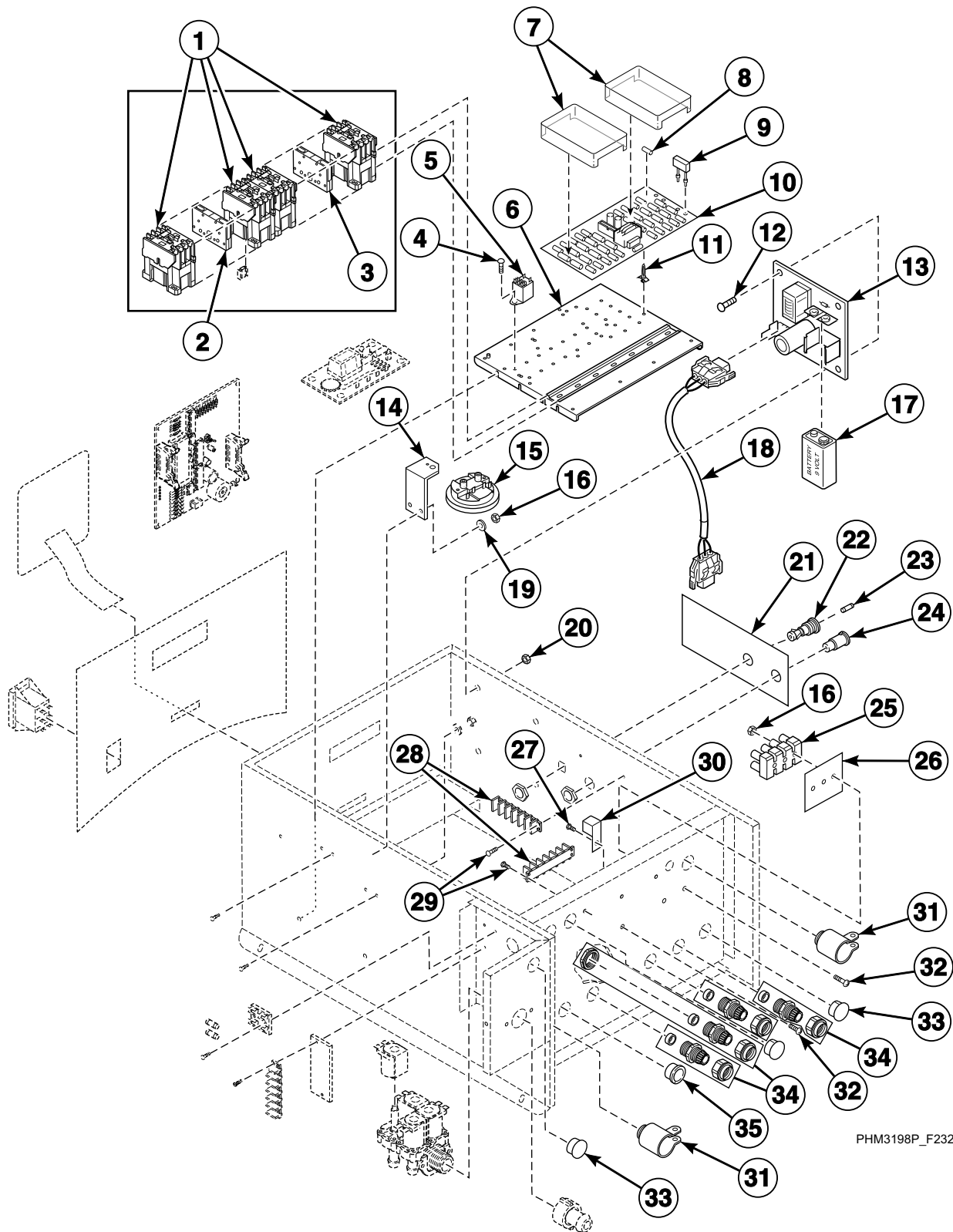
PHM2553P_F232149

Control Module - WE-6 Microprocessor (Drawing 3 of 3)

REF	PART NO.	DESCRIPTION	COMMENTS
1	F230678	Keymode Decal	
2	F340800P	Keymode Run/Program Switch	Includes item 3
3	F370709	Program Key	A153
4	F140575P	Connector	Gray
5	F140576P	Connector	Blue
6	F604713	Cable Assembly	
7	F350210	Circuit Breaker	2 Amp
8	F350412	Light	120 Volt; Red
	F350414	Light	220 Volt; Red
9	F431022	Nut	
10	F430903	Screw	
11	F140734	Ground Terminal Lug	
12	F430916	Screw	
13	F230677	Input Power Connector Decal	
14	F140746	Input Power Block	
15	F431106	Washer	
16	F431000	Nut	
17	F606826	Computer Cover	
18	F140738	Terminal Strip	
19	N/A	Control Module Sub-Assembly	
20	F140527	Plug	
21	F200302	Hose Connector	
22	F380715P	4-Way Valve	120 Volt; Mueller; F380938 Valve Repair Kit
	F380725P	4-Way Valve	220 Volt; Mueller; F380938 Valve Repair Kit
	F381724P	4-Way Valve	120 Volt; Elbi; G581P3 Diaphragm and Guide Kit
	F381723P	4-Way Valve	220 Volt; Elbi; G581P3 Diaphragm and Guide Kit
23	F380900	Coil	120 Volt; Mueller
	F380917	Coil	220 Volt; Mueller
24	F430928	Screw	
25	F300203P	Buzzer	120 Volt
	N/A	Buzzer	220 Volt
26	F430917	Screw	
27	F230721	Control Module Decal	
28	F340412	Momentary Switch	
29	F340445	Contact Block Switch	800E-series
	F200233401	Contact Block Switch	800F-series
	F200233700P	Emergency Stop Button Kit	Used to convert from 800E-series to 800F-series; Includes F200233401 Contact Block Switch and F200233500 Emergency Stop Pushbutton
30	F231083	Emergency Stop Decal	
31	N/A	Emergency Stop Pushbutton	800E-series; Order F200233700P Emergency Stop Button Kit
	F200233500	Emergency Stop Pushbutton	800F-series
32	F230724P	Keypad Decal	

N/A = Part no longer available

Control Module - Models UW60S2 and UW60S3 (Drawing 1 of 2)



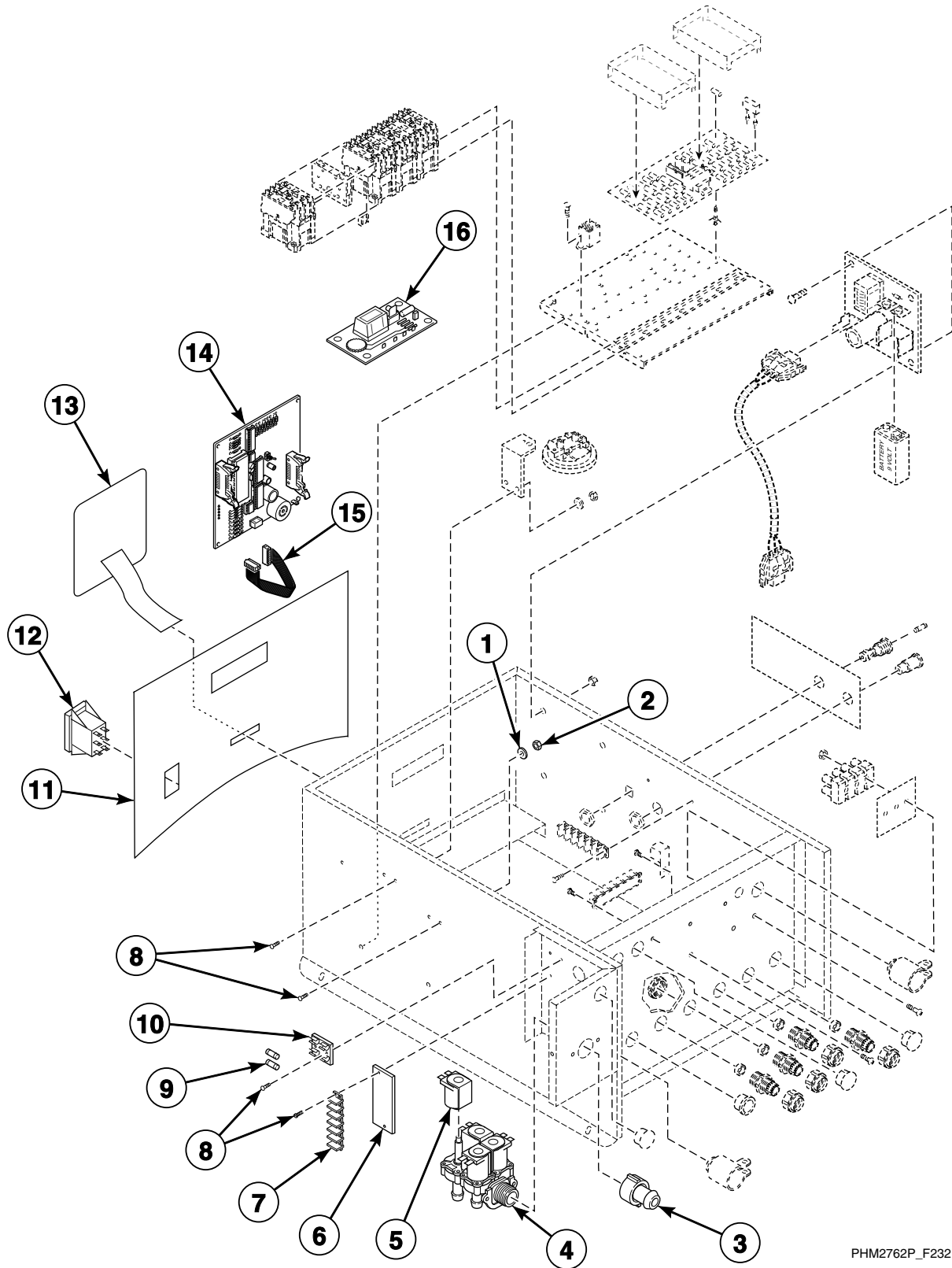
PHM3198P_F232149

Control Module - Models UW60S2 and UW60S3 (Drawing 1 of 2)

REF	PART NO.	DESCRIPTION	COMMENTS
1	F330175P	Contactora	120 Volt; C16
	F330177P	Contactora	220 Volt; C16
	F330178P	Contactora	120 Volt; C23
	F330179P	Contactora	220 Volt; C23
2	F330186P	Interlock Contactora	100-MCA00
3	F330168P	Interlock Contactora	Models through 5/25/00; 100-MCA00
4	N/A	Screw	
5	F330227	Flange Relay	120 Volt
	F330230	Flange Relay	220 Volt
6	F608382	Contactora Mounting Panel Assembly	
7	N/A	Dust Cover	
8	F350108	Fuse	.125 Amp
	F350109	Fuse	.5 Amp
	F350110	Fuse	1 Amp
9	F330217P	RC Network Filter	Includes F140627 Connector and F141022 Connector
10	F370449P	Output Board CCA	120 Volt
	F370450P	Output Board CCA	220 Volt
11	F180506	Standoff	
12	F430910	Screw	
13	F370529P	Battery Adapter Board	
14	F630242	Water Level Switch Bracket	
15	F0340347-10P	Water Level Switch	
16	F431022	Nut	
17	F191101	Battery	
18	F140249	Battery Backup Wire Harness	Battery adapter board; 3 pin
19	F431113	Washer	
20	F430231	Nut	
21	F230678	Keymode Decal	
22	F350304P	Fuse Holder	
23	F350104	Fuse	
24	F350412	Light	120 Volt; Red
	F350414	Light	220 Volt; Red
25	F140746	Input Power Block	
26	F230677	Input Power Connector Decal	
27	F430920	Screw	
28	F140738	Terminal Strip	
29	F430916	Screw	
30	F140734	Ground Terminal Lug	
31	F140311	Squeeze Connector	
32	F430916	Screw	
33	F140527	Plug	
34	F140309	Connector	
35	F140909	Insulator Bushing	

N/A = Part no longer available

Control Module - Models UW60S2 and UW60S3 (Drawing 2 of 2)

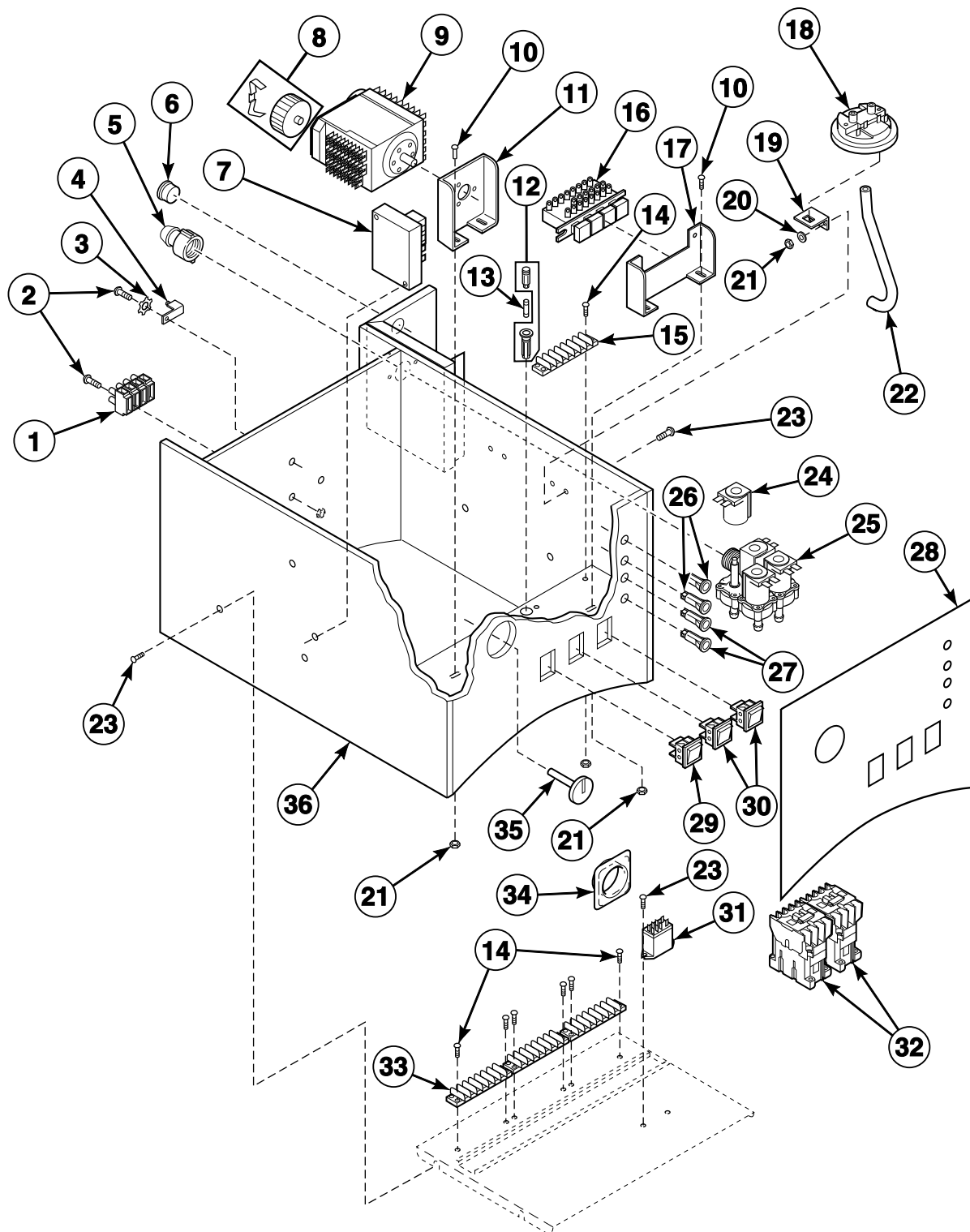


PHM2762P_F232149

Control Module - Models UW60S2 and UW60S3 (Drawing 2 of 2)

REF	PART NO.	DESCRIPTION	COMMENTS
1	F431113	Washer	
2	F431022	Nut	
3	F200302	Hose Connector	
4	F380715P	4-Way Valve	120 Volt; Mueller; F380938 Valve Repair Kit
	F380725P	4-Way Valve	220 Volt; Mueller; F380938 Valve Repair Kit
	F381724P	4-Way Valve	120 Volt; Elbi; G581P3 Diaphragm and Guide Kit
	F381723P	4-Way Valve	220 Volt; Elbi; G581P3 Diaphragm and Guide Kit
5	F380900	Coil	120 Volt; Mueller
	F380917	Coil	220 Volt; Mueller
6	F230764-7	External Supply Connection Decal	
7	F140738	Terminal Strip	
8	F430928	Screw	
9	F350115	Fuse	3 Amp
10	F0350312-10	Fuse Holder	
11	F230795	Control Module Decal	
12	F340412	Momentary Switch	
13	F370576P	Keypad	
14	F370555-00P	Computer	
15	F140219P	Ribbon Cable	15 inches; Connects output CCA to computer
16	F370437P	Relay CCA	Model UW60S3

Control Module - Model UW60M2



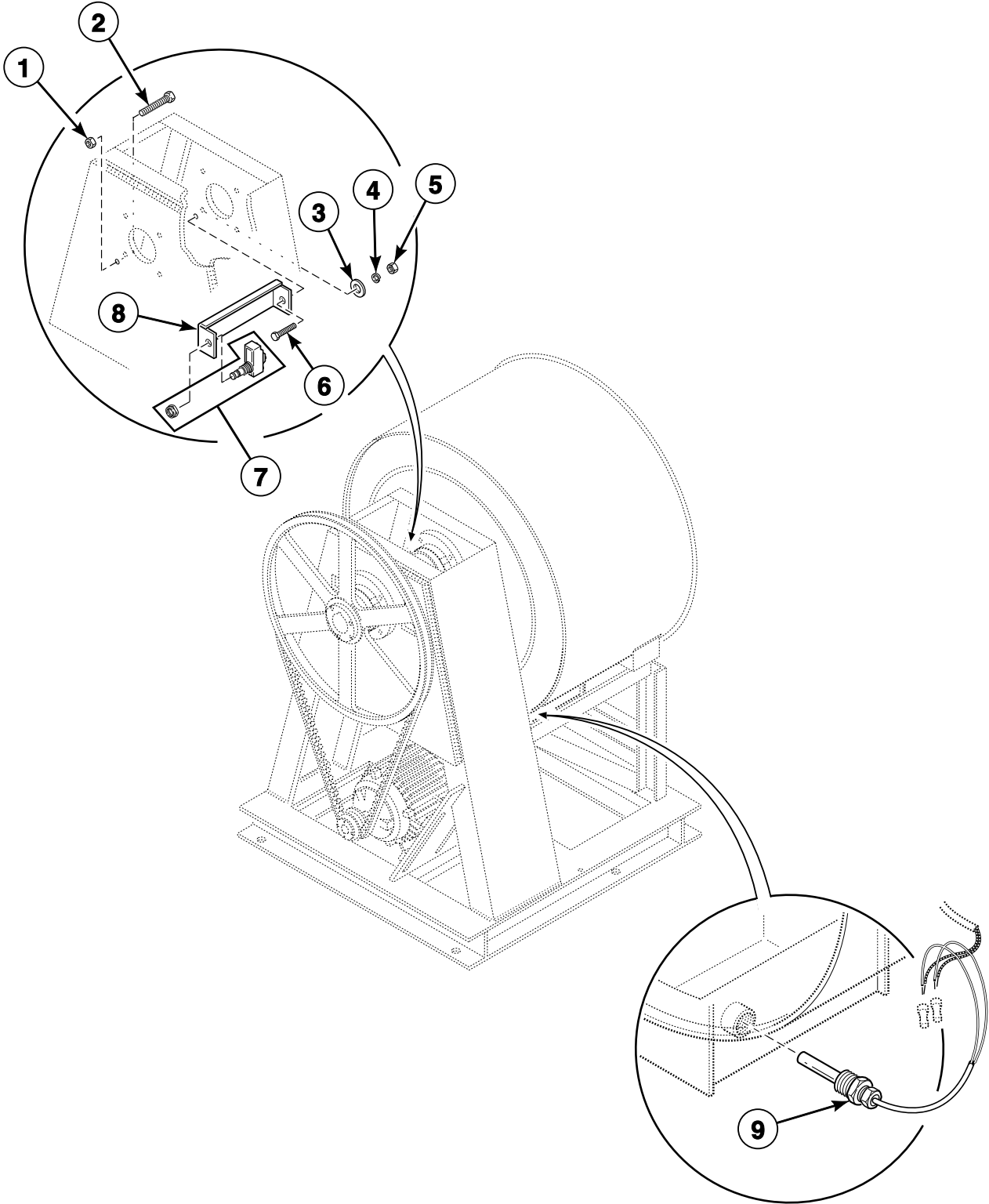
PHM2280P_F232149

Control Module - Model UW60M2

REF	PART NO.	DESCRIPTION	COMMENTS
1	F140746	Input Power Block	
2	F430903	Screw	
3	F431113	Washer	
4	F140734	Ground Terminal Lug	
5	F200302	Hose Connector	
6	F140527	Plug	
7	F330203	Relay	120 Volt; 30 second
	F330206	Relay	220 Volt; 30 second
8	N/A	Motor	120 Volt
	N/A	Motor	220 Volt
9	F160301P	Cycle Timer	120 Volt
	F160304P	Cycle Timer	220 Volt
10	F430928	Screw	
11	F604214	Mounting Bracket	
12	F350304P	Fuse Holder	
13	F350104	Fuse	2 Amp
14	F430916	Screw	
15	F140738	Terminal Strip	
16	F340442	Cycle Selector Switch	
17	F604213	Switch Mounting Bracket	
18	F340316P	Water Level Switch	
19	F630242	Water Level Switch Bracket	
20	F430311	Washer	
21	F431022	Nut	
22	F422404P	Tubing	
23	F430922	Screw	
24	F380900	Coil	120 Volt; Mueller
	F380917	Coil	220 Volt; Mueller
25	F380715P	4-Way Valve	120 Volt; Mueller; F380938 Valve Repair Kit
	F380725P	4-Way Valve	220 Volt; F380938 Valve Repair Kit
	F381724P	4-Way Valve	120 Volt; Elbi; G581P3 Diaphragm and Guide Kit
	F381723P	4-Way Valve	220 Volt; Elbi; G581P3 Diaphragm and Guide Kit
26	F350412	Light	Red; 120 Volt
	F350414	Light	Red; 220 Volt
27	F350411	Light	Amber; 120 Volt
	F350413	Light	Amber; 220 Volt
28	F230687	Control Module Decal	
29	F340411	Rocker Switch	Red
30	F340412	Momentary Switch	White
31	F330227	Flange Relay	120 Volt
	F330230	Flange Relay	220 Volt
32	F330175P	Contactora	120 Volt; C16
	F330177P	Contactora	220 Volt; C16
33	F140738	Terminal Strip	
34	F150310	Timer Glass	
35	F150378	Timer Cycle Indicator	
36	N/A	Control Module Sub-Assembly	

N/A = Part no longer available

Balance Switch and Temperature Probe

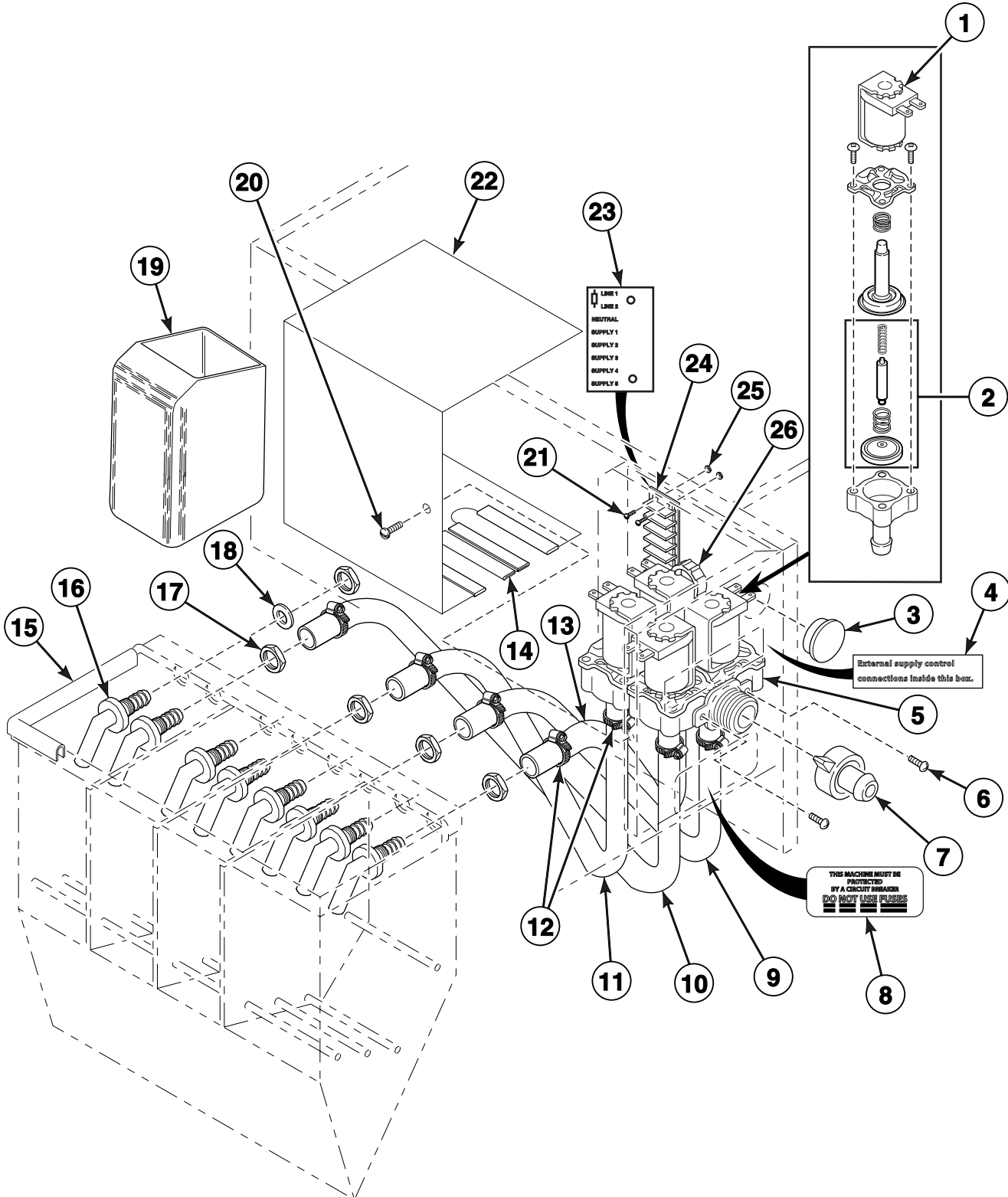


U057P_F232149

Balance Switch and Temperature Probe

REF	PART NO.	DESCRIPTION	COMMENTS
1	H88412101	Nut	
2	F0430540-00	Bolt	Models UW60M2, UW60P2, UW60P3, UW60S2 and UW60S3
	F430124	Screw	Models UW50P2, UW50P3, UW50P4, UW65P4, UW85P3 and UW85P4
3	M400081	Washer	
4	M400014	Washer	
5	20274	Nut	
6	800461	Screw	Models UW60M2, UW60P2, UW60P3, UW60S2 and UW60S3
	F430900	Screw	Models UW50P2, UW50P3, UW50P4, UW65P4, UW85P3 and UW85P4
7	F340900	Interlock Switch	Models UW60M2, UW60P2, UW60P3, UW60S2 and UW60S3
	F340906	Microswitch	Models UW50P2, UW50P3, UW50P4, UW65P4, UW85P3 and UW85P4
8	F601750	Balance Switch Bracket	
9	F370606P	Temperature Probe	

Stainless Steel Soap Dispenser Supply Plumbing



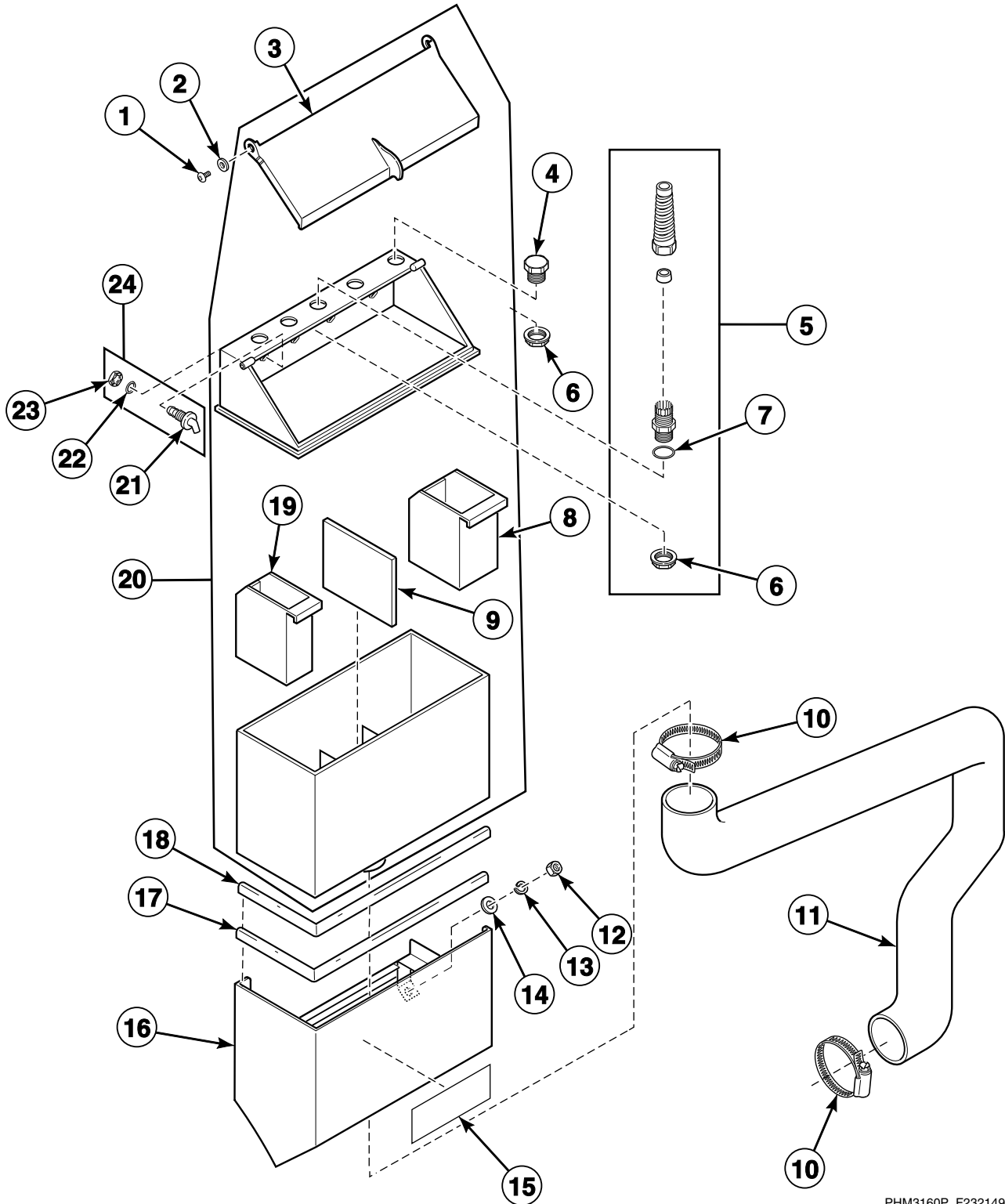
PHM2587P_F232149

Stainless Steel Soap Dispenser Supply Plumbing

REF	PART NO.	DESCRIPTION	COMMENTS
1	F380900	Coil	120 Volt
	F380917	Coil	220 Volt
2	F380938	Valve Repair Kit	Mueller
	G582P3	Diaphragm and Guide Kit	Elbi
3	F140527	Plug	
4	F230606	External Supply Control Decal	
5	F380715P	4-Way Valve	120 Volt; Mueller
	F380725P	4-Way Valve	220 Volt; Mueller
	F381724P	4-Way Valve	120 Volt; Elbi; G581P3 Diaphragm and Guide Kit
	F381723P	4-Way Valve	220 Volt; Elbi; G581P3 Diaphragm and Guide Kit
6	F430948	Screw	
7	F200302	Hose Connector	
8	F230301	This Machine Must Be Protected Decal	
9	F610398	Hose	Models UW50P2, UW50P3 and UW50P4; 17 inch
	F200110P	Water Hose	Models UW60M2, UW60P2, UW60P3, UW60S2, UW60S3, UW65P4, UW85P3 and UW85P4
10	F610086	Hose	Models UW50P2, UW50P3 and UW50P4; 18.5 inch
	F200110P	Water Hose	Models UW60M2, UW60P2, UW60P3, UW60S2, UW60S3, UW65P4, UW85P3 and UW85P4
11	F610088	Hose	Models UW50P2, UW50P3 and UW50P4; 23 inch
	F200110P	Water Hose	Models UW60M2, UW60P2, UW60P3, UW60S2, UW60S3, UW65P4, UW85P3 and UW85P4
12	36801	Hose Clamp	No. 6
13	F610196	Hose	Models UW50P2, UW50P3 and UW50P4; 12 inch
	F200110P	Water Hose	Models UW60M2, UW60P2, UW60P3, UW60S2, UW60S3, UW65P4, UW85P3 and UW85P4
14	F170402P	Gasket	
15	F170400RP	Trim	
16	F8322001	Injection Nozzle	
	F730168	Injection Nozzle Kit	Includes items 17 and 18
17	802292	Nut	
18	F170208	O-Ring	
19	F603411	Soap Supply Cup	
20	F430152	Screw	
21	F430916	Screw	
22	F603650	Supply Valve Cover	
23	F230764-1	External Supply Connection Decal	UW50 A, B and L-voltage models
	F0230764-02	External Supply Connection Decal	UW50 C-voltage models
	N/A	External Supply Connection Decal	UW50 G, I and W-voltage models
	N/A	External Supply Connection Decal	UW50 D, E and J-voltage models
	F230764-7	External Supply Connection Decal	UW50 K, O and Y-voltage models
	N/A	External Supply Connection Decal	UW50 F, H, M and S-voltage models
	F230622	External Supply Decal	UW60, UW65 and UW85 models
24	F140738	Terminal Strip	
25	F431022	Nut	
26	F140909	Insulator Bushing	

N/A = Part no longer available

Polypropylene Supply Dispenser - UW60, UW65 and UW85 Models

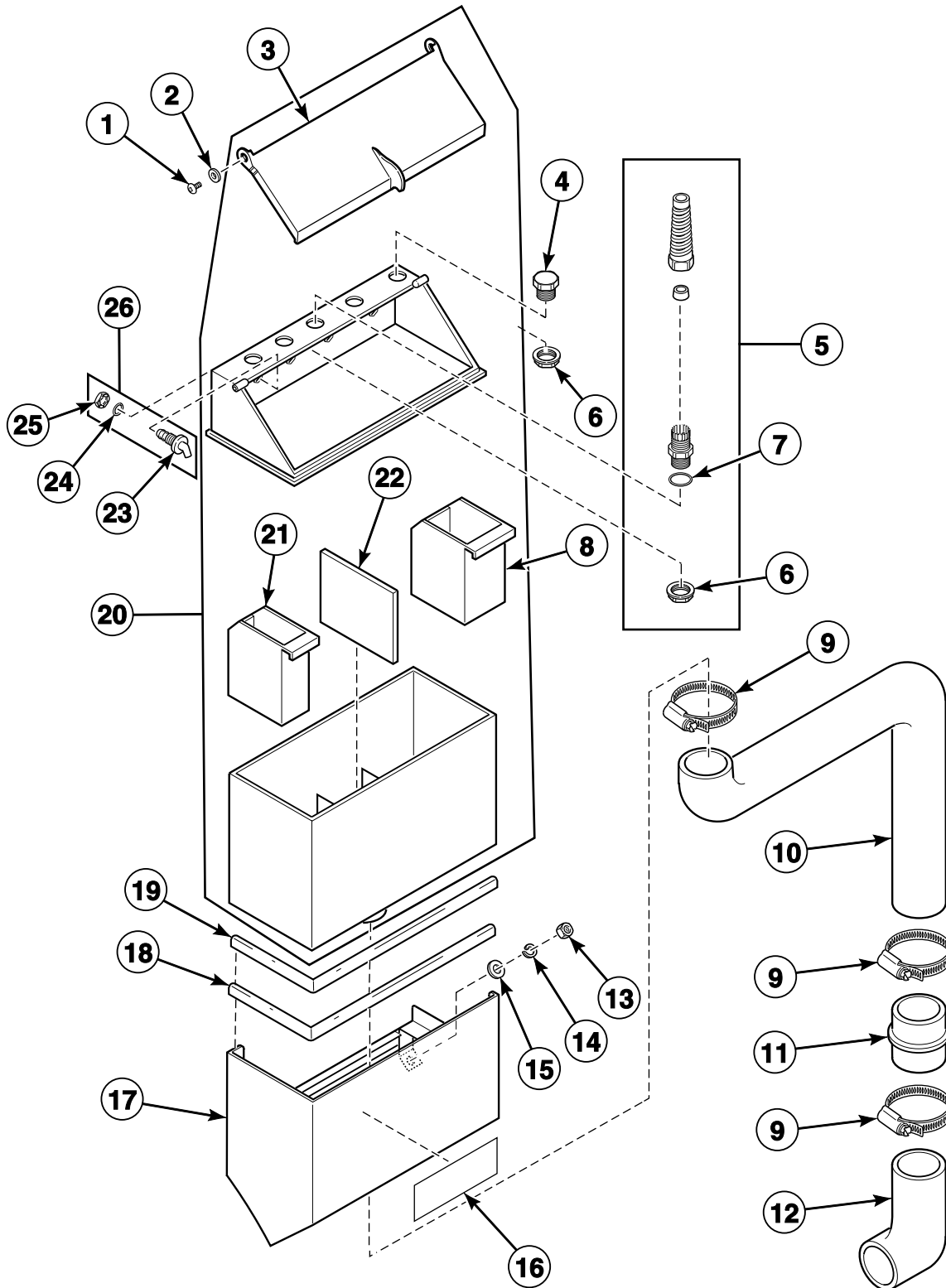


PHM3160P_F232149

Polypropylene Supply Dispenser - UW60, UW65 and UW85 Models

REF	PART NO.	DESCRIPTION	COMMENTS
1	F430917	Screw	
2	F8195301	Washer	
3	F0150514-00	Dispenser Lid	
4	F190304	Plug Cap	
5	F749802	Strain Relief Adapter Kit	Includes items 6 and 7
6	F140340P	Strain Relief Connector	Includes F0431160-00 Nut
7	F170215	O-Ring	
8	F150386	Chemical Supply Cup	32 ounce; 2 used
9	F0150525-00	Supply Dispenser Spacer	
10	F200213	Hose Clamp	Models UW60M2, UW60P2, UW60P3, UW60S2, UW60S3, UW65P4, UW85P3 and UW85P4; No. 40
11	F150469	Chemical Supply Hose	Models UW60M2, UW60P2, UW60P3, UW60S2, UW60S3 and UW65P4
	F150471	Chemical Supply Hose	Models UW85P3 and UW85P4
12	F431005	Nut	
13	F431100	Washer	
14	F431147	Washer	
15	F231436	Supply Dispenser Hazard Caution Decal	
16	F8024301	Soap Dispenser Shroud Weldment	
17	F170158P	Gasket	
18	F170400RP	Trim	
19	F150385	Chemical Supply Cup	20 ounce; 3 used
20	F0150512-00P	Dispenser Assembly	Includes items 3, 8, 9 and 19
21	F8322001	Injection Nozzle	
22	F170208	O-Ring	
23	802292	Nut	
24	F730168	Injection Nozzle Kit	Includes items 21-24

Supply Dispenser - UW50 Models

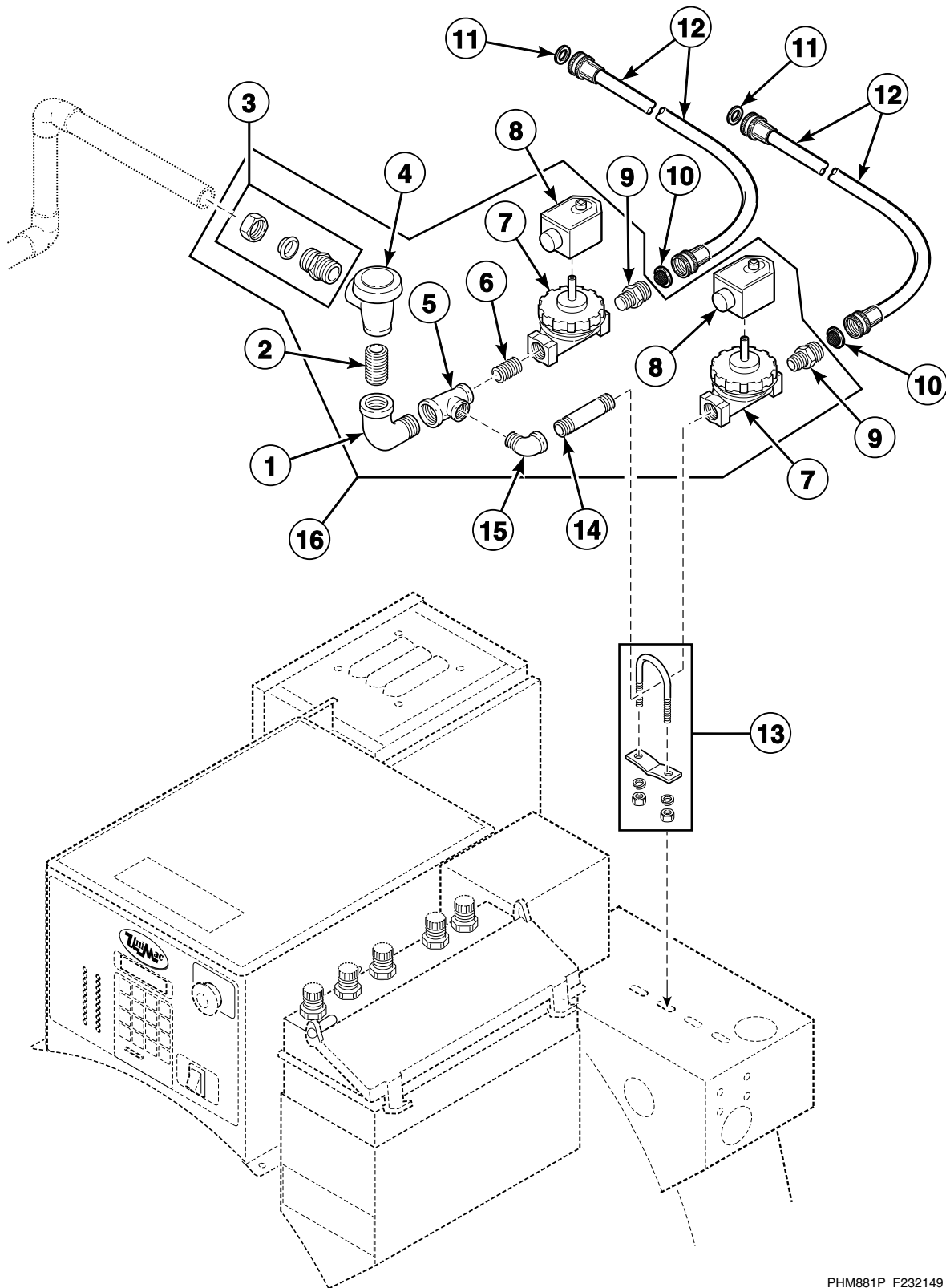


PHM3161P_F232149

Supply Dispenser - UW50 Models

REF	PART NO.	DESCRIPTION	COMMENTS
1	F430917	Screw	
2	F8195301	Washer	
3	F0150514-00	Dispenser Lid	
4	F190304	Plug Cap	
5	F749802	Strain Relief Adapter Kit	Includes items 6 and 7
6	F140340P	Strain Relief Connector	Includes F0431160-00 Nut
7	F170215	O-Ring	
8	F150386	Chemical Supply Cup	32 ounce; 2 used
9	F200213	Hose Clamp	No. 40
10	F150392	Chemical Supply Hose	
11	F0602364-06	Pipe	
12	F150391	Lower Hose	
13	F431005	Nut	
14	F431100	Washer	
15	F431147	Washer	
16	F231436	Supply Dispenser Hazard Caution Decal	
17	F8024301	Soap Dispenser Shroud Weldment	
18	F170158P	Gasket	
19	F170400RP	Trim	
20	F0150512-00P	Dispenser Assembly	Includes items 3, 8, 21 and 22
21	F150385	Chemical Supply Cup	20 ounce; 3 used
22	F0150525-00	Supply Dispenser Spacer	
23	F8322001	Injection Nozzle	
24	F170208	O-Ring	
25	802292	Nut	
26	F730168	Injection Nozzle Kit	Includes items 23-25

Spray Plumbing - Models UW60M2, UW60P2, UW60P3, UW60S2 and UW60S3

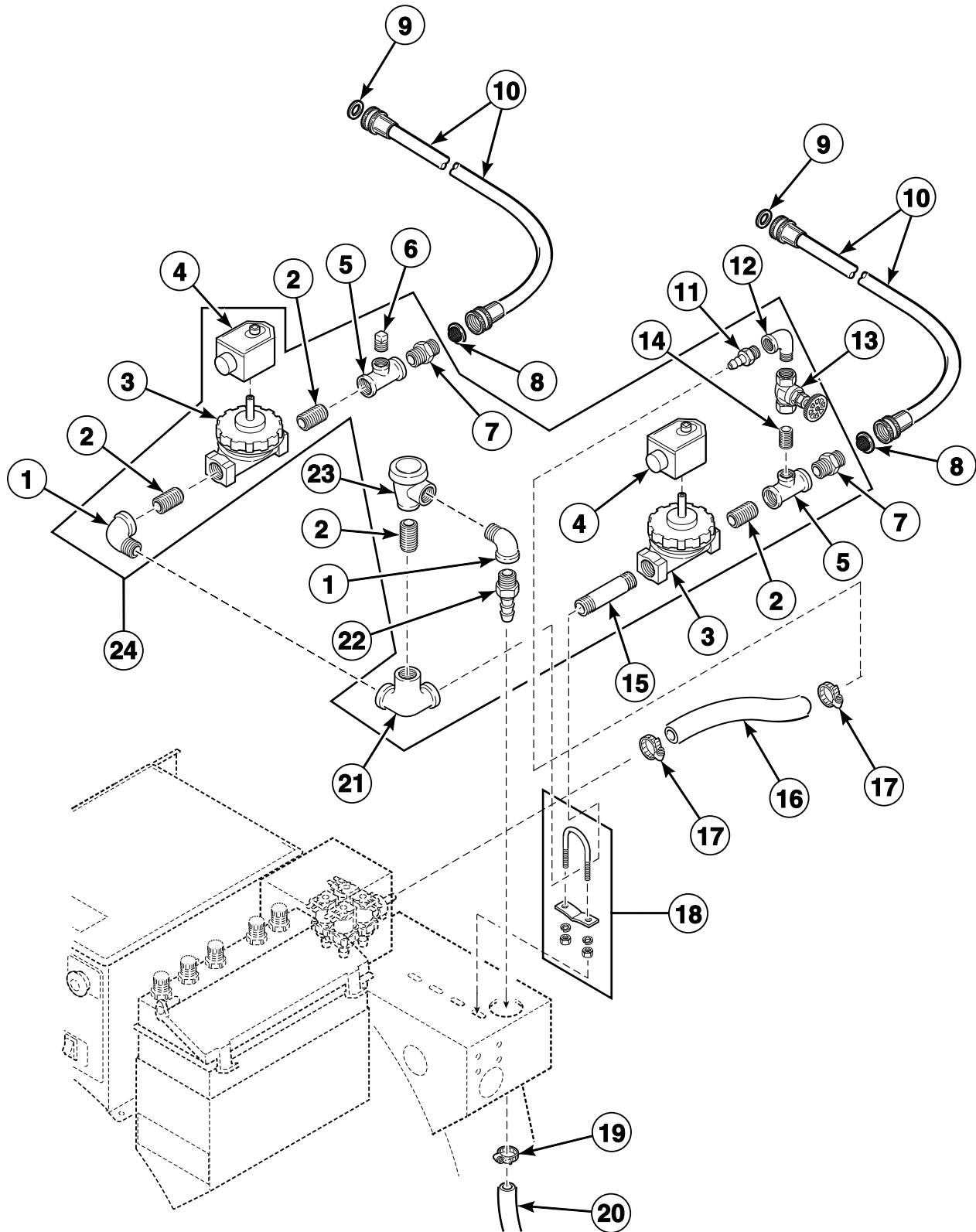


PHM881P_F232149

Spray Plumbing - Models UW60M2, UW60P2, UW60P3, UW60S2 and UW60S3

REF	PART NO.	DESCRIPTION	COMMENTS
1	F420502	Street Elbow	
2	F420105	Nipple	
3	F422106	Tube Connector	
4	F380800P	Vacuum Breaker Valve	3/4 inch; F380965P Repair Kit
5	F420401	Tee	
6	F420101	Nipple	
7	F381702P	Valve	1/2 inch; 120 Volt; With DIN
	F381703P	Valve	1/2 inch; 220 Volt; With DIN
	F141901P	DIN Harness Assembly	
	F380993P	Valve Repair Kit	1/2 inch
8	F380986P	DIN Coil	120 Volt
	F380987P	DIN Coil	220 Volt
9	F421908	Hose Adapter	Standard thread
	F421949	Nipple	Metric thread
10	803615	Washer	
11	20290	Washer	
12	F200164	Water Hose	Standard thread
	F200166	Water Hose	Metric thread
13	F200401P	U-Bolt Clamp	
14	F420103	Nipple	
15	F420500	Street Elbow	
16	F633150	Spray Plumbing Assembly	120 Volt; Includes items 1-9, 14 and 15
	F633150-1	Spray Plumbing Assembly	220 Volt; Includes items 1-9, 14 and 15
	F633150-2	Spray Plumbing Assembly	120 Volt; Brass option; Includes items 1-9, 14 and 15
	F633150-3	Spray Plumbing Assembly	220 Volt; Brass option; Includes items 1-9, 14 and 15
	F633150-4	Spray Plumbing Assembly	120 Volt; Metric thread; Includes items 1-9, 14 and 15
	F633150-5	Spray Plumbing Assembly	220 Volt; Metric thread; Includes items 1-9, 14 and 15
	F633150-6	Spray Plumbing Assembly	120 Volt; Metric thread and brass option; Includes items 1-9, 14 and 15
F633150-7	Spray Plumbing Assembly	220 Volt; Metric thread and brass option; Includes items 1-9, 14 and 15	

Fill Plumbing - Models UW60M2, UW60P2, UW60P3, UW60S2 and UW60S3

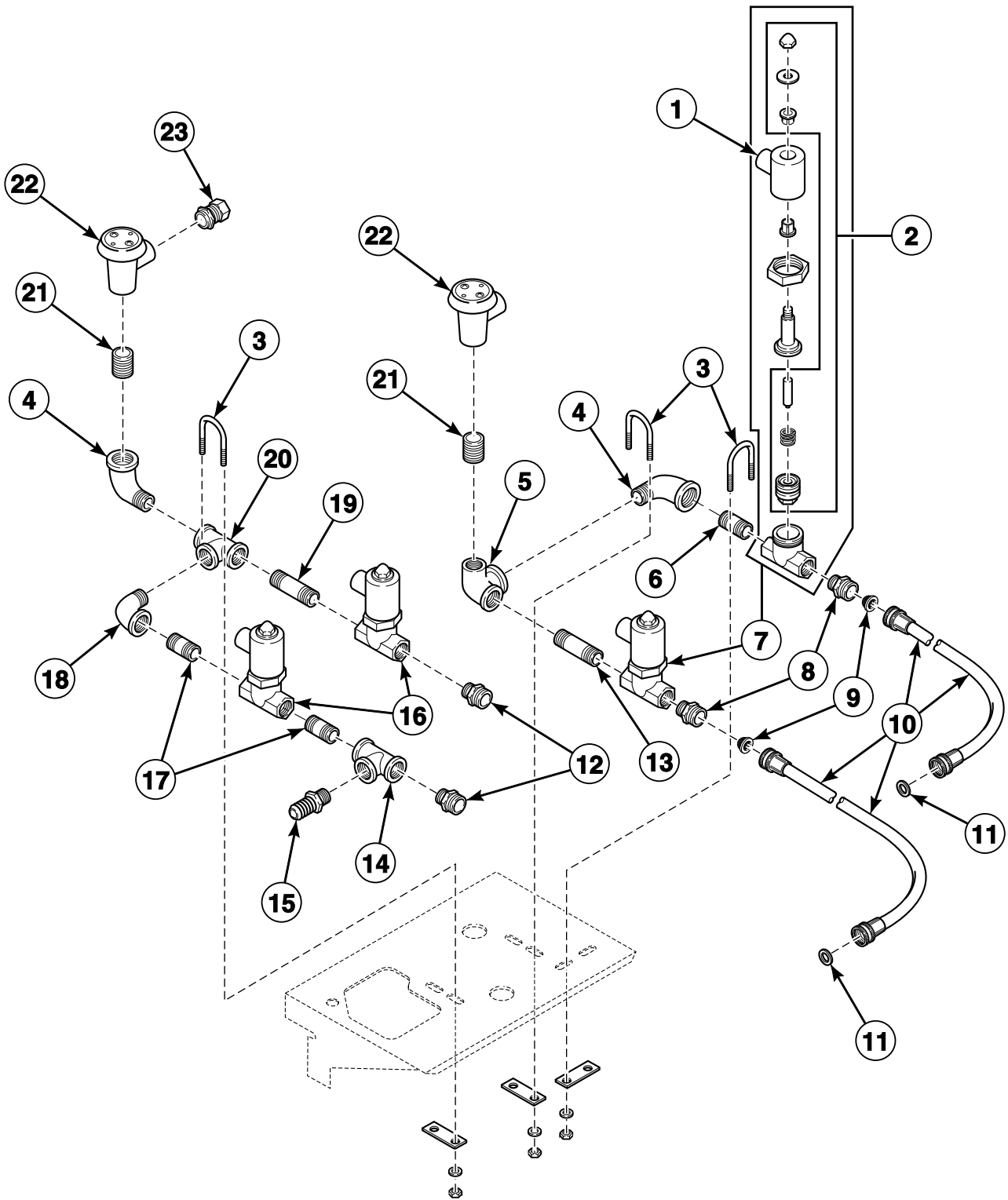


PHM597P_F232149

Fill Plumbing - Models UW60M2, UW60P2, UW60P3, UW60S2 and UW60S3

REF	PART NO.	DESCRIPTION	COMMENTS
1	F420502	Street Elbow	
2	F420105	Nipple	
3	F381700P	Valve	3/4 inch; 120 Volt
	F381701P	Valve	3/4 inch; 220 Volt
	F141901P	DIN Harness Assembly	
	F380991P	Water Valve Repair Kit	3/4 inch
4	F380986P	DIN Coil	120 Volt
	F380987P	DIN Coil	220 Volt
5	F420402	Tee	
6	F420408	Plug	
7	F421909	Hose Adapter	Standard thread
	F8265701	Adapter	Metric thread
8	803615	Washer	
9	20290	Washer	
10	F200164	Water Hose	Standard thread
	F200166	Water Hose	Metric thread
11	F421964	Hose Barb	
12	F420500	Street Elbow	
13	F380500	Gate Valve	
14	F420101	Nipple	
15	F420107	Nipple	
16	F200108P	Water Hose	
17	F200206	Hose Clamp	No. 4
18	F200411	U-Bolt Clamp	
19	F200222	Hose Clamp	No. 12
20	F200104P	Hose	
21	F420509	Elbow	
22	F421951	Hose Barb	
23	F380800P	Vacuum Breaker Valve	F380965P Repair Kit
24	F633146	Fill Plumbing Assembly	120 Volt; Includes items 1-7, 11-15 and 21-23
	F633146-1	Fill Plumbing Assembly	220 Volt; Includes items 1-7, 11-15 and 21-23
	F633146-2	Fill Plumbing Assembly	120 Volt; Brass option; Includes items 1-7, 11-15 and 21-23
	F633146-3	Fill Plumbing Assembly	220 Volt; Brass option; Includes items 1-7, 11-15 and 21-23
	F633146-4	Fill Plumbing Assembly	120 Volt; Metric thread; Includes items 1-7, 11-15 and 21-23
	F633146-5	Fill Plumbing Assembly	220 Volt; Metric thread; Includes items 1-7, 11-15 and 21-23
	F633146-6	Fill Plumbing Assembly	120 Volt; Metric thread and brass option; Includes items 1-7, 11-15 and 21-23
	F633146-7	Fill Plumbing Assembly	220 Volt; Metric thread and brass option; Includes items 1-7, 11-15 and 21-23

Spray and Fill Plumbing - 3/4 Inch Valves; Models UW50P2, UW50P3, UW50P4 and UW65P4



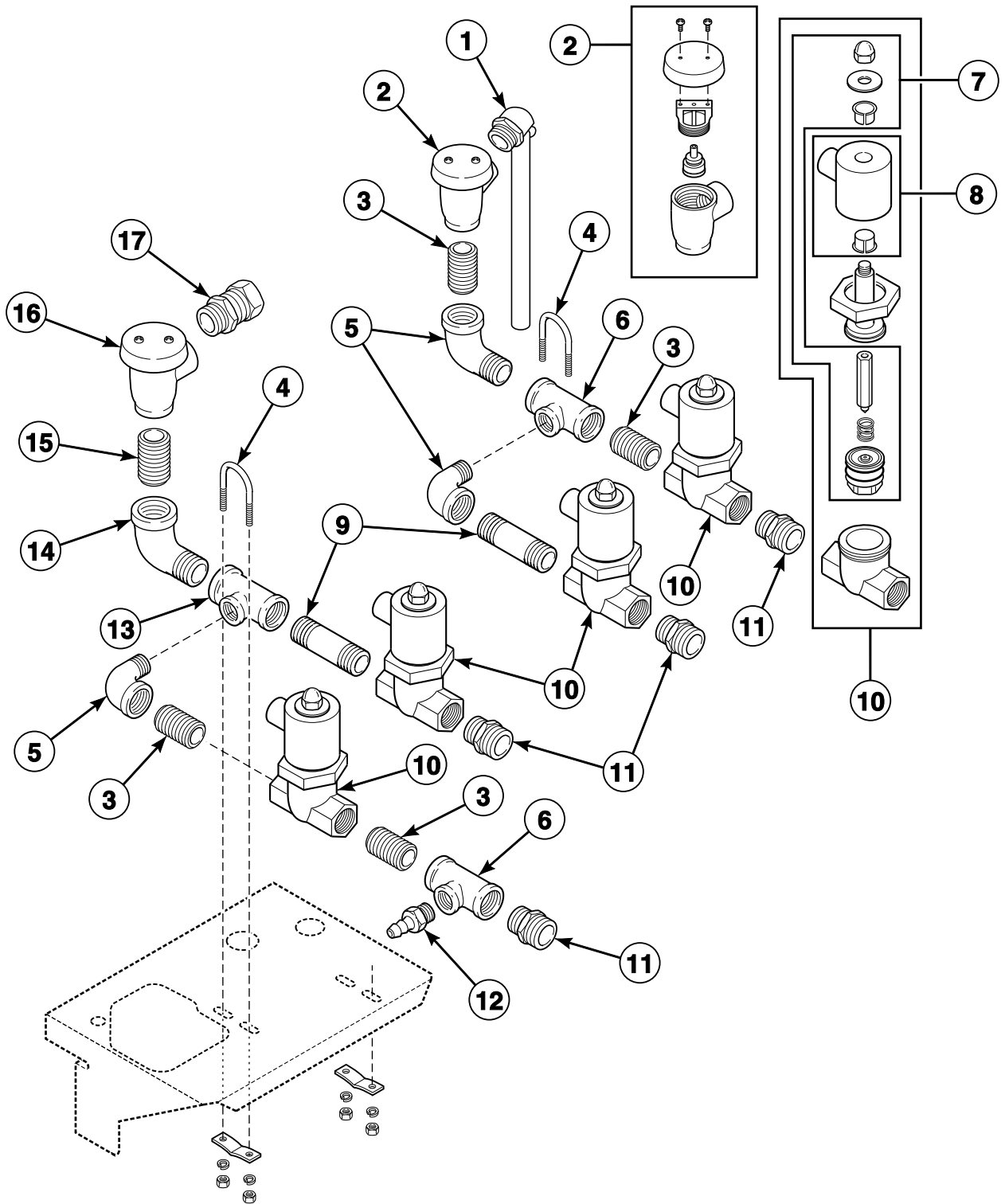
PHM2327P_F232149

Spray and Fill Plumbing - 3/4 Inch Valves; Models UW50P2, UW50P3, UW50P4 and UW65P4

REF	PART NO.	DESCRIPTION	COMMENTS
1	F380901P	Coil	
2	F380915P	Repair Kit	
3	F200401P	U-Bolt Clamp	Includes hardware
4	F420502	Street Elbow	
5	F420509	Elbow	
6	N/A	Nipple	
7	F380702P	Solenoid Valve	3/4 inch; F380915P Repair Kit
8	F421909	Hose Adapter	
9	803615	Washer	
10	F200164	Water Hose	Standard thread
	F200166	Water Hose	Metric thread
11	20290	Washer	
12	F421908	Hose Adapter	
13	F420108	Nipple	
14	F420400	Tee	
15	F421903	Adapter	
16	F380700P	Solenoid Valve	1/2 inch; F380914P Repair Kit
17	F420101	Nipple	
18	F420500	Street Elbow	
19	F420103	Nipple	
20	F420401	Tee	
21	F420105	Nipple	
22	F380800P	Vacuum Breaker Valve	
23	F422106	Tube Connector	

N/A = Part no longer available

Spray and Fill Plumbing - 1/2 Inch Valves; Models UW50P2, UW50P3 and UW50P4



PHM315P_F232149

Spray and Fill Plumbing - 1/2 Inch Valves; Models UW50P2, UW50P3 and UW50P4

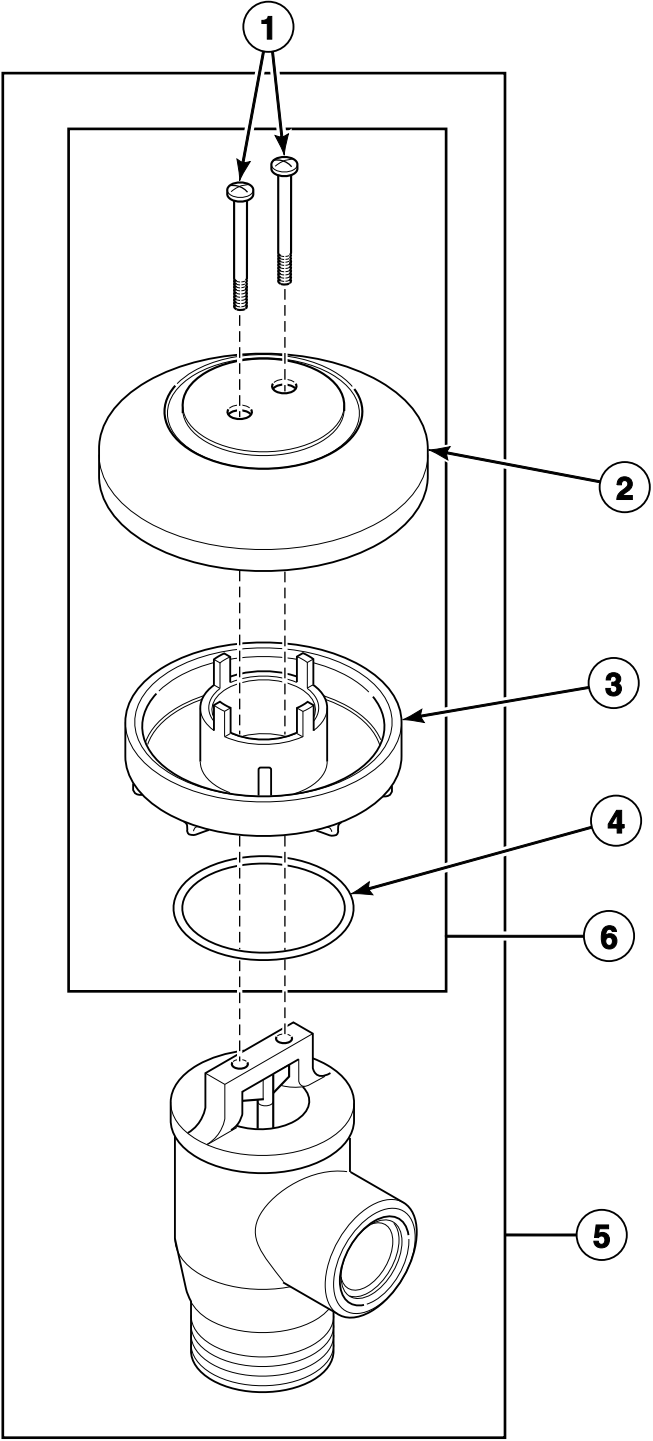
REF	PART NO.	DESCRIPTION	COMMENTS
1	F610261	Top Fill Assembly	
2	F380801P	Antisiphon Valve	
3	F420101	Nipple	
4	F200401P	U-Bolt Clamp	Includes spacer, washers and nuts
5	F420500	Street Elbow	
6	F420400	Tee	
7	F380914P	Repair Kit	
8	F380901P	Coil	120 Volt
	F380902P	Coil	220 Volt
9	F420103	Nipple	
10	F380700P	Solenoid Valve	120 Volt
	F380701P	Solenoid Valve	220 Volt
11	F421908	Hose Adapter	
12	F421903	Adapter	
13	F420401	Tee	
14	F420502	Street Elbow	
15	F420105	Nipple	
16	F380800P	Vacuum Breaker Valve	
17	F422106	Tube Connector	

Spray and Fill Plumbing - Models UW85P3 and UW85P4

REF	PART NO.	DESCRIPTION	COMMENTS
1	F420105	Nipple	
2	N/A	U-Bolt Clamp	
3	F420403	Tee	
4	F610260	Top Fill Assembly	
5	N/A	Fluid Connector	
6	F380800P	Vacuum Breaker Valve	
7	F420502	Street Elbow	
8	F420108	Nipple	
9	F421909	Hose Adapter	
10	803615	Washer	
11	F200164	Water Hose	Standard thread
	F200166	Water Hose	Metric thread
12	20290	Washer	
13	F380702P	Solenoid Valve	
14	F380915P	Repair Kit	
15	F380901P	Coil	
16	F421930	Hose Barb	
17	F420402	Tee	
18	N/A	Nipple	

N/A = Part no longer available

Vacuum Breaker Assembly with Leak Containment Kit

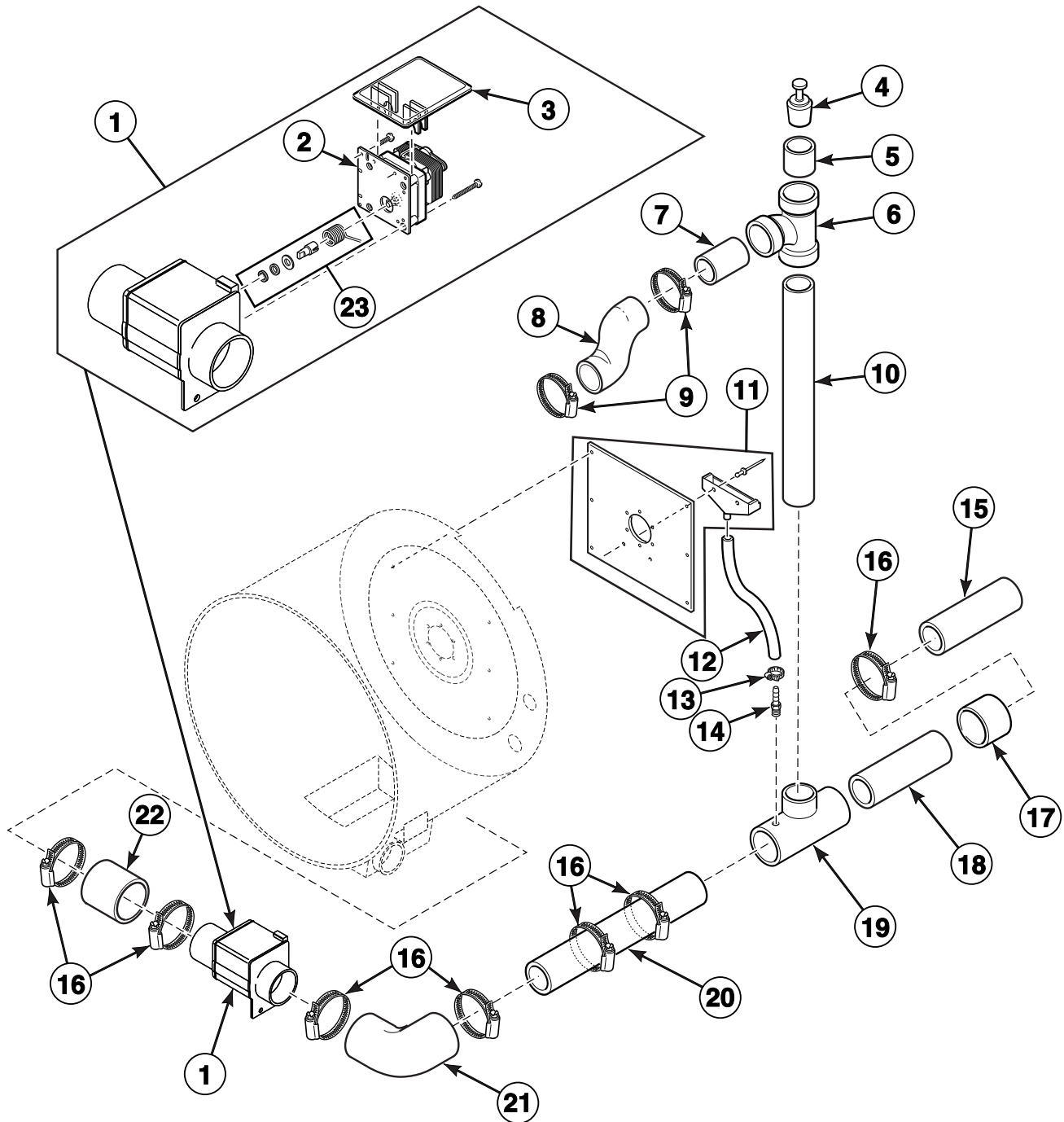


PHM2208P_F232149

Vacuum Breaker Assembly with Leak Containment Kit

REF	PART NO.	DESCRIPTION	COMMENTS
1	F430938	Screw	
2	F0380808-00	Vacuum Breaker Cap	
3	F0380809-00	Containment Device	
4	F0170221-00	O-Ring	
5	F063754701P	Vacuum Breaker Valve	3/4 inch; F380965P Repair Kit; Includes item 6
6	F0798922-00	Vacuum Breaker Kit	Includes items 1-4

Drain - Models UW60M2, UW60P2, UW60P3, UW60S2 and UW60S3



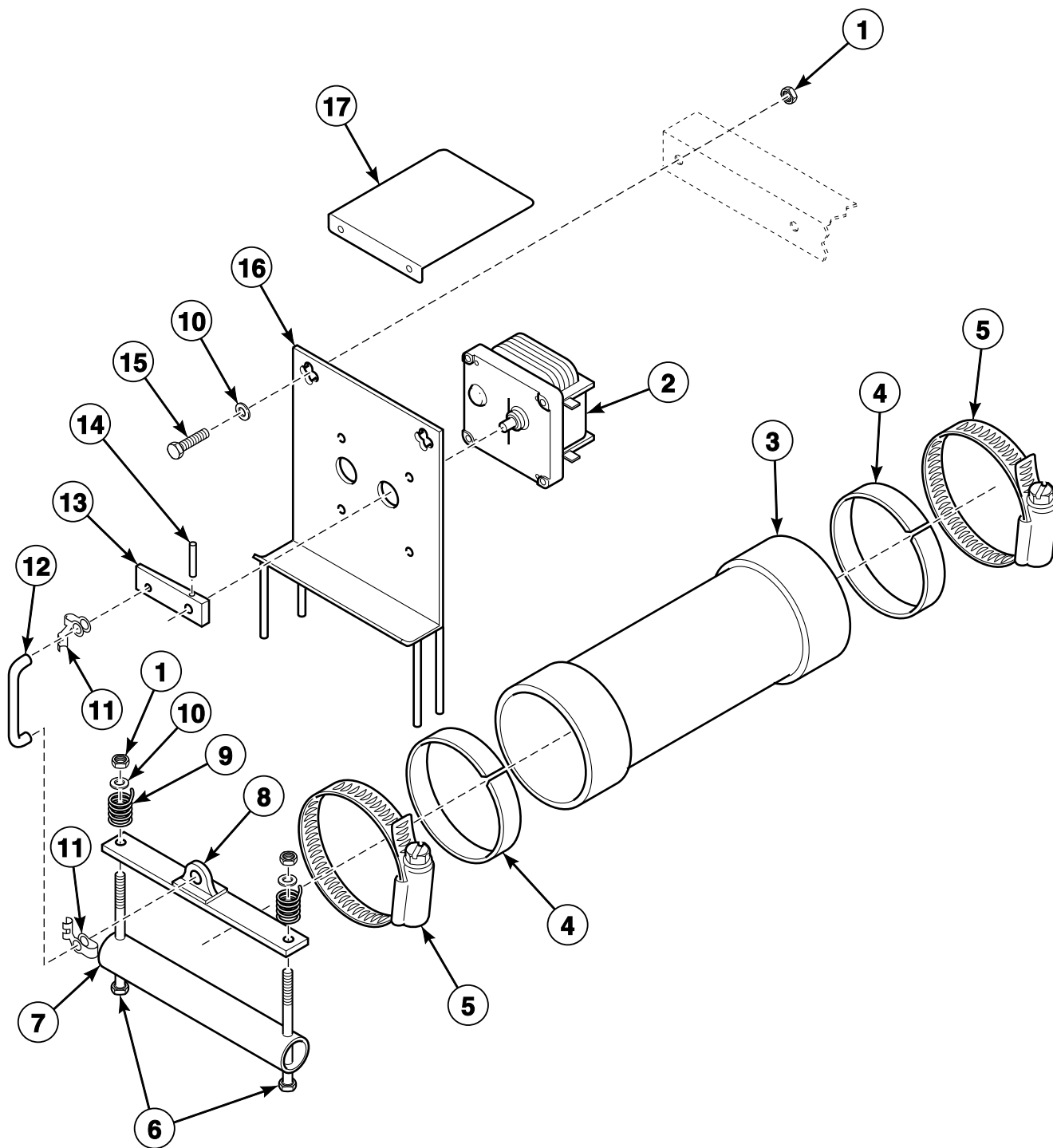
PHM2715P_F232149

Drain - Models UW60M2, UW60P2, UW60P3, UW60S2 and UW60S3

REF	PART NO.	DESCRIPTION	COMMENTS
1	F200166302	Drain Valve Kit	120 Volt
	F200166402	Drain Valve Kit	220 Volt
2	F380932P	Drain Valve Motor	120 Volt
	F380933P	Drain Valve Motor	220 Volt
3	F200133600	Drain Valve Cover	
4	F380117	Vacuum Breaker	
5	F422508	Adapter	
6	F422801	Tee	
7	N/A	Pipe	
8	F150309	Soap Dispenser Hose	
9	F200213	Hose Clamp	No. 40
10	F0602364-25	Pipe	
11	F8084201	Shell Reinforcement Plate Assembly	
12	F200107P	Water Hose	Order 4 feet
13	36801	Hose Clamp	No. 6
14	F421929	Hose Barb	
15	F610376P	Drain Hose	
16	F200201	Hose Clamp	No. 56
17	F422602	Reducer Bushing	
18	F0602365-01	Pipe	
19	F422803	Tee	
20	F0602365-22	Pipe	
21	F150438	Drain Hose	
22	F150442	Drain Hose	
23	F380918	Main Drive Kit	

N/A = Part no longer available

Motorized Drain Valve



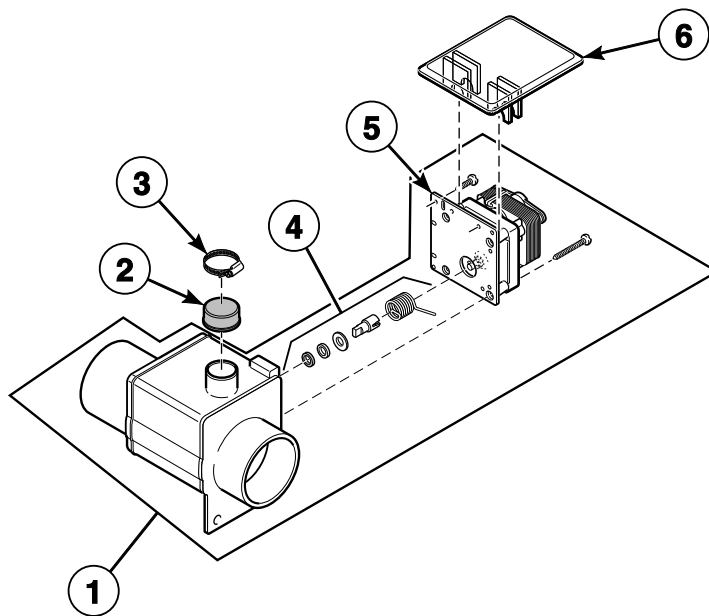
P158P_F232149

Motorized Drain Valve

REF	PART NO.	DESCRIPTION	COMMENTS
	F0798776-00	Drain Conversion Kit	120 Volt
	F0798775-00	Drain Conversion Kit	220 Volt
1	F430215	Nut	
2	F380932P	Drain Valve Motor	120 Volt
	F380933P	Drain Valve Motor	220 Volt
3	F200126	Hose	
4	F601244	Chafe Strip	
5	F200201	Hose Clamp	No. 56
6	F430101	Screw	
7	F602101	Drain Lift Tube	
8	N/A	Drain Valve Lift Bar Assembly	Must install F0798776-00 Drain Conversion Kit
9	N/A	Spring	
10	F430317	Washer	
11	F431205	Rod End Clip	
12	F602274	Drain Valve Motor Linkage	
13	N/A	Drain Valve Motor Arm	
14	H88900683	Spring Pin	
15	F430103	Screw	
16	N/A	Drain Valve Bracket Assembly	Must install F0798776-00 Drain Conversion Kit
17	F602372	Drain Valve Motor Cover	

N/A = Part no longer available

Ball Drain Valve - Models UW50P2, UW50P3 and UW50P4

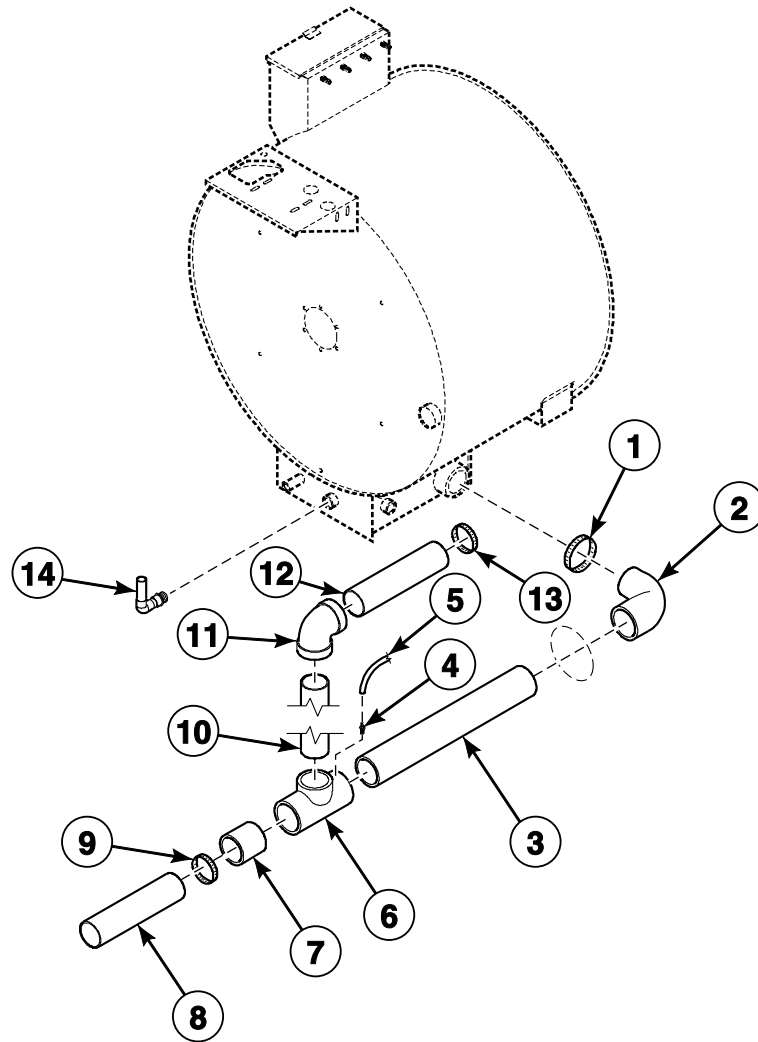


PHM2722P_F232149

Ball Drain Valve - Models UW50P2, UW50P3 and UW50P4

REF	PART NO.	DESCRIPTION	COMMENTS
1	F038062800	Drain Valve	
2	F150352	Overflow Plug	
3	F200215	Hose Clamp	No. 28
4	F380918	Main Drive Kit	
5	F380932P	Drain Valve Motor	
6	F200133600	Drain Valve Cover	

Drain - Models UW50P2, UW50P3 and UW50P4



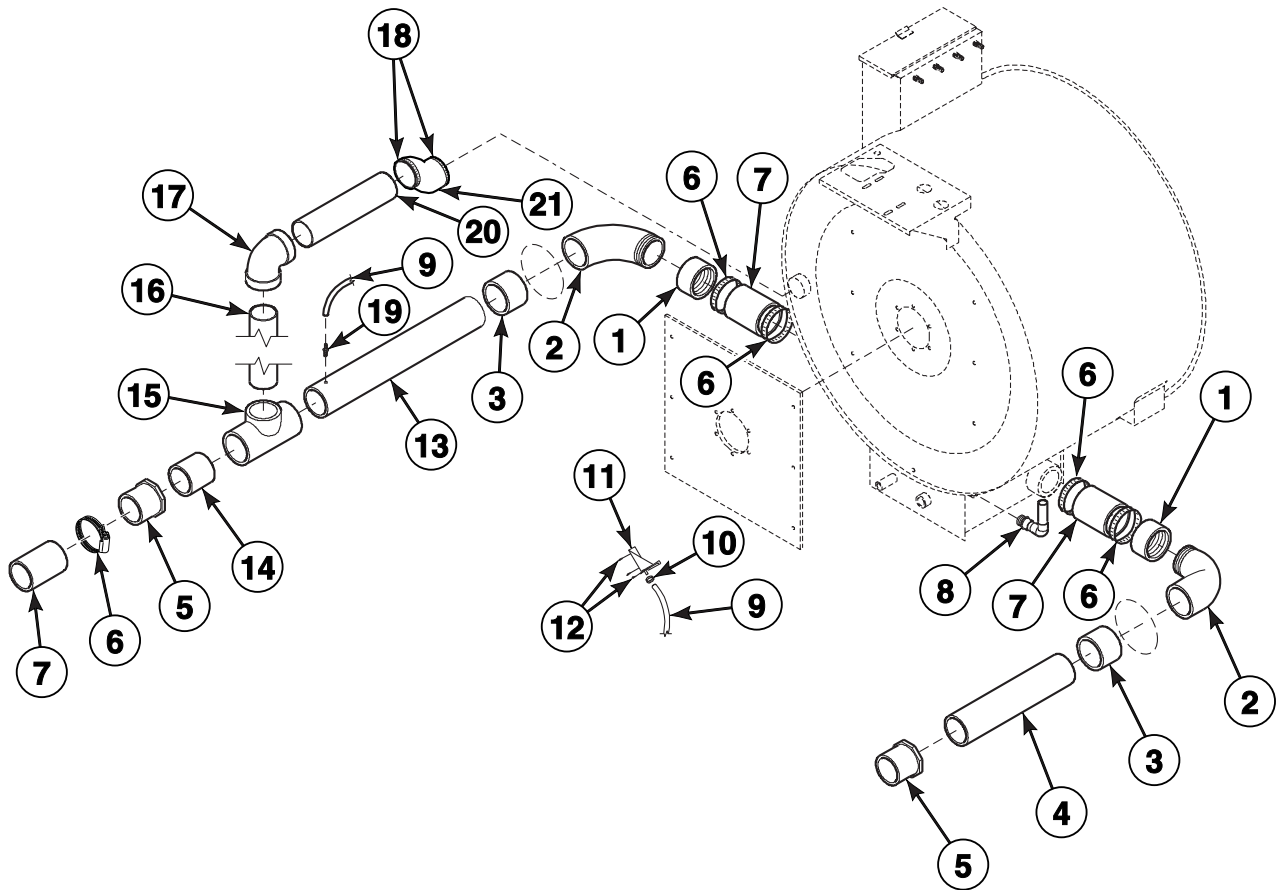
PHM2826P_F232149

Drain - Models UW50P2, UW50P3 and UW50P4

REF	PART NO.	DESCRIPTION	COMMENTS
1	F602139	Drain Valve Insert Ring	
2	N/A	Elbow	
3	N/A	Pipe	
4	F421929	Hose Barb	
5	F200107P	Water Hose	
6	F422803	Tee	
7	F610094	Pipe	
8	F610376P	Drain Hose	
9	F200201	Hose Clamp	No. 56
10	F0602364-07	Pipe	
11	F422900	Elbow	
12	F150308	Overflow Hose	
13	F200213	Hose Clamp	No. 40
14	N/A	Bottom Fill Hose Nipple	

N/A = Part no longer available

Drain - Models UW65P4, UW85P3 and UW85P4



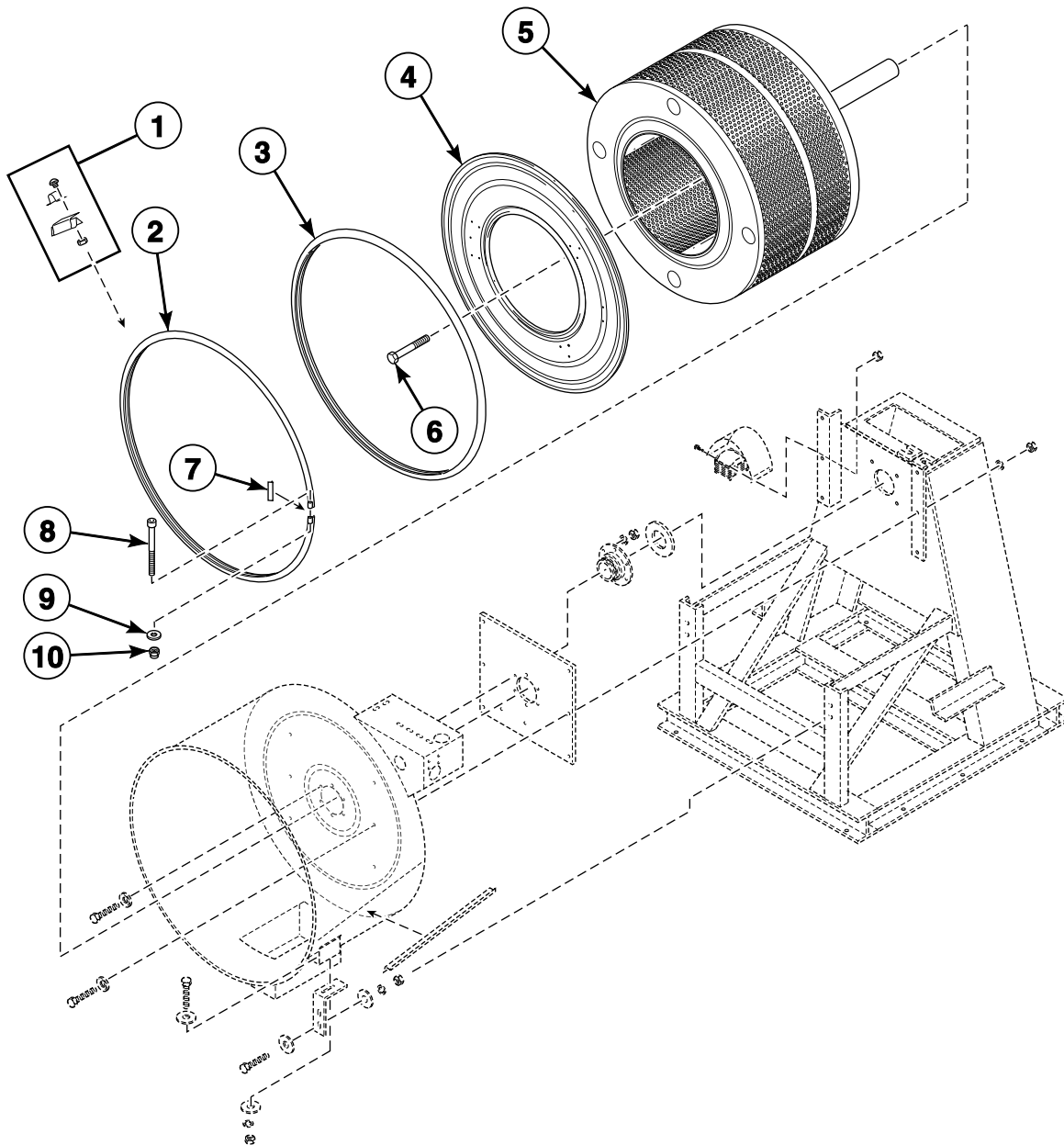
PHM2590P_F232149

Drain - Models UW65P4, UW85P3 and UW85P4

REF	PART NO.	DESCRIPTION	COMMENTS
1	F420301	Coupling	
2	N/A	Street Elbow	
3	N/A	Coupling	
4	F0602365-27	Pipe	
5	F422602	Reducer Bushing	
6	F200201	Hose Clamp	No. 56
7	F610076	Hose	
8	F610256	Bottom Fill Tube Assembly	
9	F200107P	Water Hose	
10	36801	Hose Clamp	No. 6
11	F150389	Scupper	
12	F431210	Pop Rivet	
13	N/A	Pipe	Model UW65P4
	F610040	Pipe	Models UW85P3 and UW85P4
14	F0602365-20	Pipe	Model UW65P4
	F0602365-16	Pipe	Models UW85P3 and UW85P4
15	F422803	Tee	
16	F0602364-23	Pipe	
17	F422900	Elbow	
18	F200213	Hose Clamp	No. 40
19	F421929	Hose Barb	
20	F0602364-19	Pipe	
21	F200105	Hose	

N/A = Part no longer available

Basket, Shell and Frame (Drawing 1 of 2)



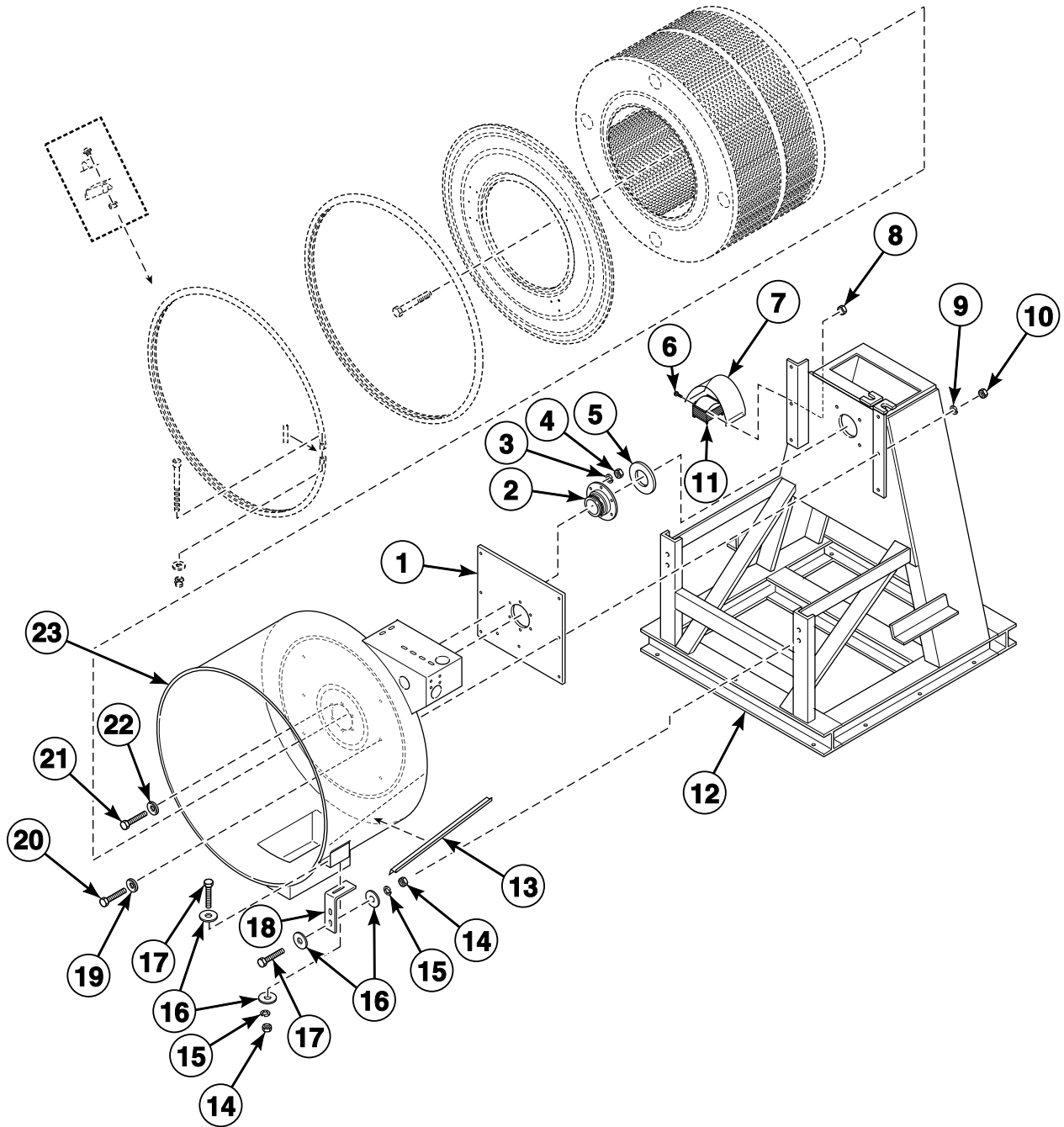
PHM2554P_F232149

Basket, Shell and Frame (Drawing 1 of 2)

REF	PART NO.	DESCRIPTION	COMMENTS
1	F602901P	Spray Rinse Bracket Assembly	
2	F603344P	Shell Band Assembly	Models UW50P2, UW50P3, UW50P4, UW60M2, UW60P2, UW60P3, UW60S2 and UW60S3
	F603910	Shell Band Assembly	Models UW65P4, UW85P3 and UW85P4; Top
	F603911	Shell Band Assembly	Models UW65P4, UW85P3 and UW85P4; Bottom
3	F170120RP	Shell Band Gasket	
4	F8135801P	Shell Front Weldment	Models UW50P2, UW50P3, UW50P4, UW60M2, UW60P2, UW60P3, UW60S2 and UW60S3
	F200119900P	Shell Front Assembly	Models UW50P2, UW50P3, UW50P4, UW60M2, UW60P2, UW60P3, UW60S2 and UW60S3; Includes shell front weldment, door handle casting, door bumper moulding, bushing for door bumper, door butt, door butt shim, lower door latch casting, lower door latch bracket casting, top latch bracket casting and door latch shim
	F741303P	Shell Front Kit	Models UW65P4, UW85P3 and UW85P4; 2 door box
	F730477P	Shell Front Kit	1 door box
	F730531P	Shell Front Kit	Models UW50P2, UW50P3 and UW50P4; 2 door box
5	F603427	Basket Assembly	Models UW50P2, UW50P3 and UW50P4
	F632015	Basket Assembly	Models UW60M2, UW60P2, UW60P3, UW60S2 and UW60S3
	N/A	Basket Assembly	Model UW65P4
	F603697	Basket Assembly	Models UW85P3 and UW85P4
6	N/A	Screw	
7	F601216	Shell Gasket Shield	
8	F430500	Screw	
9	F430317	Washer	
10	F430211	Nut	

N/A = Part no longer available

Basket, Shell and Frame (Drawing 2 of 2)



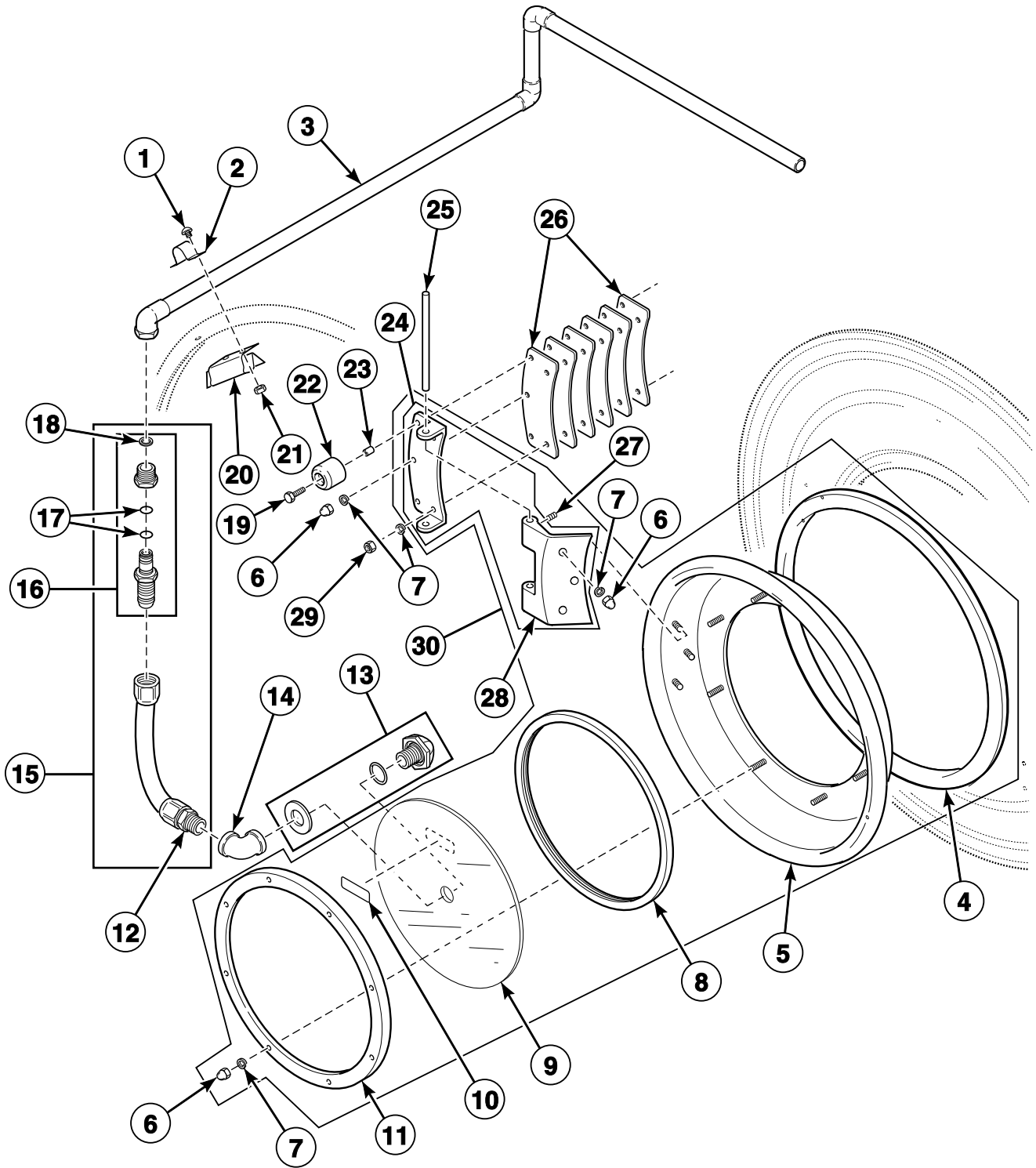
PHM2554PA_F232149

Basket, Shell and Frame (Drawing 2 of 2)

REF	PART NO.	DESCRIPTION	COMMENTS
1	F8084201	Shell Reinforcement Plate Assembly	Models UW60M2, UW60P2, UW60P3, UW60S2 and UW60S3
	F601359	Shell Reinforcement Plate	Models UW50P2, UW50P3, UW50P4, UW65P4, UW85P3 and UW85P4
2	F798819-00	Seal Kit	Models UW50P2, UW50P3, UW50P4, UW60M2, UW60P2, UW60P3, UW60S2 and UW60S3; Includes item 5, F170120RP Shell Band Gasket, sealant and installation instructions
	F8162001	Face Seal	Models UW65P4, UW85P3 and UW85P4
3	F8171201	Washer	Models UW50P2, UW50P3 and UW50P4
	F431100	Washer	All other models; Not required with cartridge seal
4	F430202	Nut	Models UW50P2, UW50P3 and UW50P4
	F431005	Nut	All other models; Not required with cartridge seal
5	F100203	Slinger	Models UW60M2, UW60P2, UW60P3, UW60S2 and UW60S3
	F100204	Slinger	Models UW50P2, UW50P3, UW50P4, UW65P4, UW85P3 and UW85P4
6	F430935	Screw	
7	F140425	Control Transformer Cover	
8	F430215	Nut	
9	M400013	Washer	
10	70142	Nut	
11	C000203	Transformer	
12	N/A	Frame Assembly	Models UW50P2, UW50P3 and UW50P4
	F633378	Frame Assembly	Models UW60M2, UW60P2 and UW60S2
	F633376	Frame Assembly	Models UW60P3 and UW60S3
	F601560	Frame Assembly	Model UW65P4
	N/A	Frame Assembly	Models UW85P3 and UW85P4
13	F150408	Rub Rail	Attach with silicone
14	20274	Nut	
15	M400014	Washer	
16	M400081	Washer	
17	800461	Screw	
18	F601806	Shell Mounting Bracket	
19	F431116	Washer	
20	F430924	Screw	
21	F430935	Screw	
22	F431112	Washer	
23	N/A	Shell Weldment	Models UW50P2, UW50P3 and UW50P4
	F634438	Shell Assembly	Models UW60M2, UW60P2, UW60P3, UW60S2 and UW60S3; Standard models
	F634438-1	Shell Weldment	Models UW60M2, UW60P2, UW60P3, UW60S2 and UW60S3; Models with starch option
	N/A	Shell Weldment	Model UW65P4
	F603731	Shell Assembly	Models UW85P3 and UW85P4

N/A = Part no longer available

Door and Spray Tube

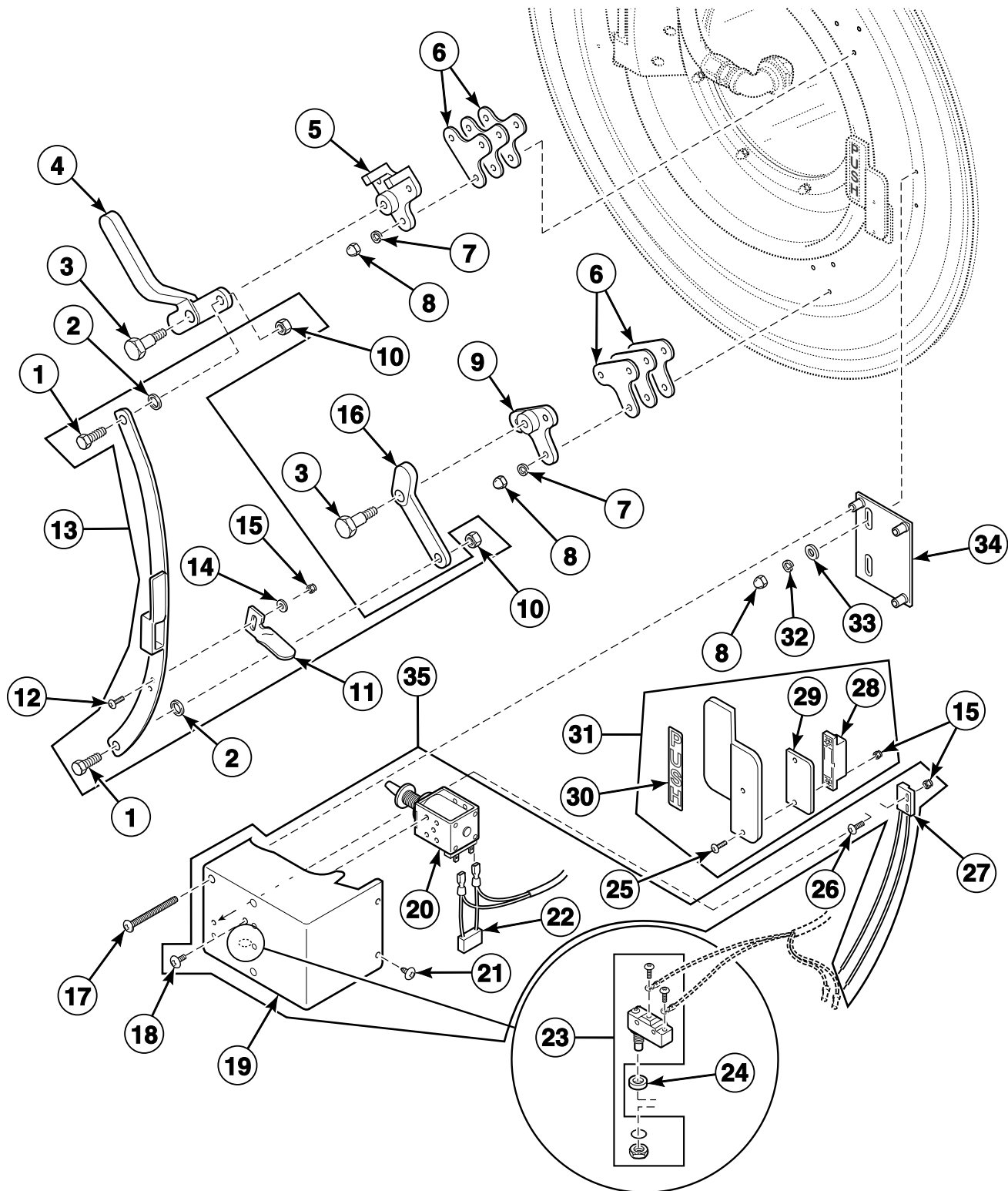


PHM2976P_F232149

Door and Spray Tube

REF	PART NO.	DESCRIPTION	COMMENTS
1	F430917	Screw	
2	F602880	Spray Rinse Strap	
3	F603696-9	Spray Rinse Tube Assembly	Models UW60M2, UW60P2, UW60P3, UW60S2 and UW60S3
	F610364	Spray Rinse Tube Assembly	Models UW50P2, UW50P3, UW50P4, UW65P4, UW85P3 and UW85P4
4	F170144	Door Gasket	Models UW50P2, UW50P3 and UW50P4
	F017014501	Door Gasket	All other models; Gray
	F170145	Door Gasket	All other models; Black
5	F730307	Door Kit	Includes studs
6	F431026	Nut	
7	F431100	Washer	
8	F170117	Door Glass Gasket	
9	F290200P	Door Glass Kit	For models with spray
	F290201P	Glass	For models without spray
10	F230652	Clockwise Spin Rotation Decal	
11	F601239	Door Glass Retainer	
12	F422109	No-Swivel Coupling	
13	F730077	Spray Rinse Nozzle Kit	
14	F422319	Elbow	
15	F730026	Spray Rinse Hose Assembly	Includes items 12 and 16-18; UW50 models
	F730024	Spray Rinse Hose Kit	Includes items 12 and 16-18; UW60, UW65 and UW85 models
16	F422108	Swivel Coupling	Includes item 17 and 18
17	F170200	O-Ring	
18	F310206	Ring Retainer	
19	F430103	Screw	
20	F602901P	Spray Rinse Bracket Assembly	Includes items 1 and 21
21	F431022	Nut	
22	F150366	Door Bumper Moulding	
23	F430416	Door Bumper Bushing	
24	F200030600P	Door Hinge Strap Kit	Includes item 28
25	F601815	Door Hinge Pin	
26	F0610695-00	Door Butt Shim	Use as needed
27	F430502	Screw	
28	F200030600	Door Hinge Strap	
29	20274	Nut	
30	F730539	Door Kit	Models UW60M2, UW60P2, UW60P3, UW60S2 and UW60S3; For models with spray; Includes items 4-11, 27, 28, door push brace, handle, magnet and push decal
	F200119600	Door Assembly	Models UW60M2, UW60P2, UW60P3, UW60S2 and UW60S3; For models without spray; Includes items 4-9, 11, 27, 28, magnet and push handle
	F730540	Door Kit	Models UW65P4, UW85P3 and UW85P4; Includes items 4-11, 27, 28, push handle, door push brace, push decal and magnet

Door Lock Assembly

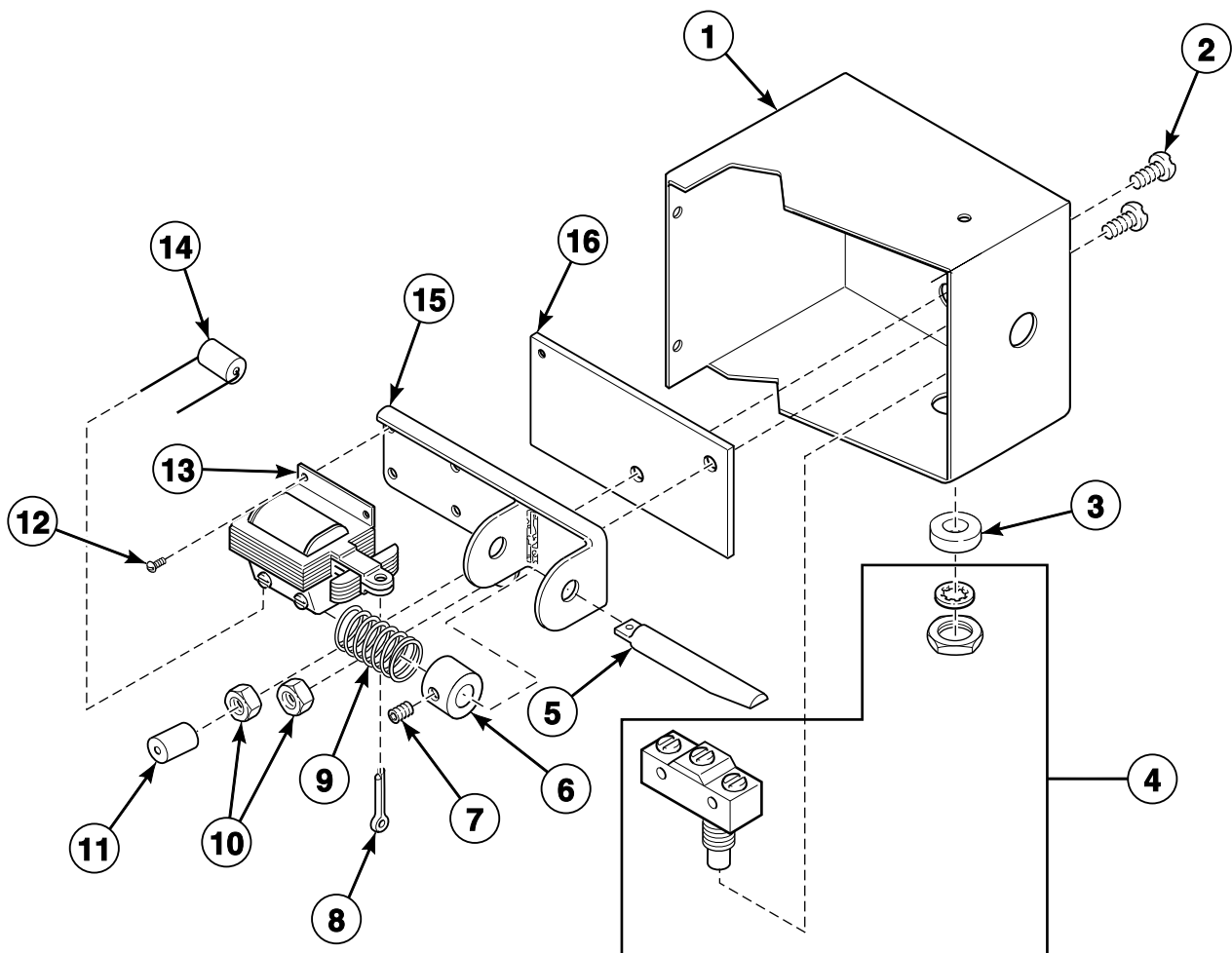


PHM2312P_F232149

Door Lock Assembly

REF	PART NO.	DESCRIPTION	COMMENTS
1	F430927	Screw	
2	F431118	Washer	
3	F430168	Screw	
4	F150203	Door Handle Casting	
5	F150201P	Top Latch Bracket Casting	
6	F602058	Door Latch Bracket Shim	
7	F431100	Washer	
8	F431026	Nut	
9	F150202	Lower Door Latch Bracket Casting	
10	F431002	Nut	
11	F601639	Extension Arm Tab	
12	F430916	Screw	
13	F746803	Extension Arm Kit	Includes items 1, 2, 10-12, 14 and 15; Models with 1 door box
	F746802	Extension Arm Kit	Includes items 1, 2 and 10; Models with 2 door boxes
14	F431108	Washer	
15	F430231	Nut	
16	F150204	Lower Door Latch Casting	
17	F430996	Screw	
18	F430995	Screw	
19	F606630	Door Box	Models UW60M2, UW60P2, UW60P3, UW60S2 and UW60S3
20	F300118P	Door Lock Solenoid	120 Volt; Models UW60M2, UW60P2, UW60P3, UW60S2 and UW60S3
	F300129P	Door Lock Solenoid	220 Volt; Models UW60M2, UW60P2, UW60P3, UW60S2 and UW60S3
21	F430956	Screw	
22	F330217P	RC Network Filter	Models UW60M2, UW60P2, UW60P3, UW60S2 and UW60S3; Includes F140627 Connector and F141022 Connector
23	F340900	Interlock Switch	Models UW60M2, UW60P2, UW60P3, UW60S2 and UW60S3
24	F601055	Interlock Switch Spacer	Models UW60M2, UW60P2, UW60P3, UW60S2 and UW60S3
25	F430909	Screw	
26	F430917	Screw	
27	F200321200	Magnetic Switch Assembly	
28	F8390801	Magnet	
29	F603683	Door Push Brace	
30	F230303	Push Decal	
31	F746201-1	Push Handle Kit	Includes items 25 and 28-30
32	F431100	Washer	
33	F431142	Washer	
34	F605525	Door Box Mounting Plate Assembly	
35	F603665	Door Box Assembly	120 Volt; Includes items 15, 18, 20, 26, 27 and F340702 Magnetic Position Switch; Models UW60M2, UW60S2 and UW60S3; Models UW60P2, UW60P3 and UW65P4 with WE-6 computer
	F603666P	Door Box Assembly	220 Volt; Includes items 15, 18, 20, 26, 27 and F340702 Magnetic Position Switch; Models UW60M2, UW60S2 and UW60S3; Models UW60P2, UW60P3 and UW65P4 with WE-6 computer

Right Door Box - Models UW50P2, UW50P3, UW50P4, UW65P4, UW85P3 and UW85P4 with WE-5 Computer

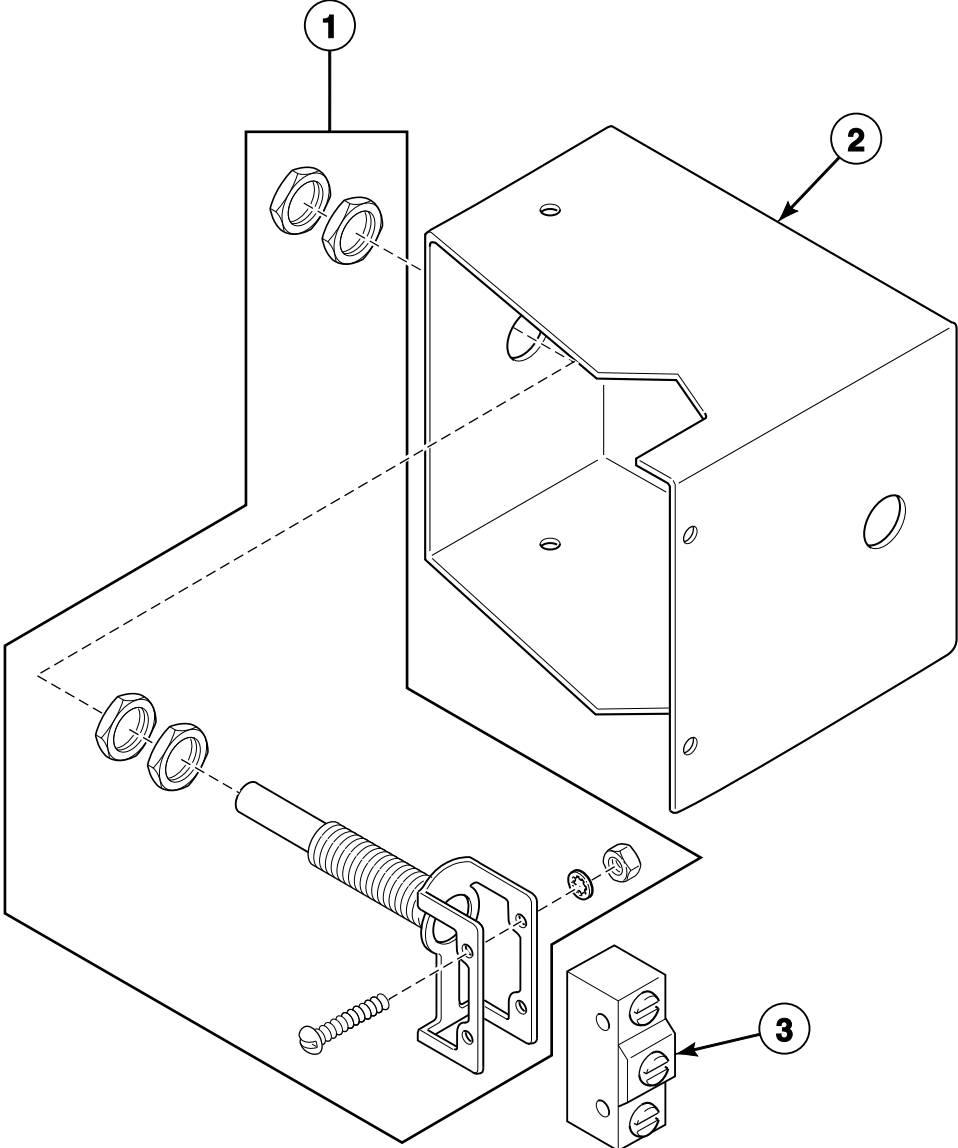


PHM318P_F232149

Right Door Box - Models UW50P2, UW50P3, UW50P4, UW65P4, UW85P3 and UW85P4 with WE-5 Computer

REF	PART NO.	DESCRIPTION	COMMENTS
1	F601523	Right Door Box	
2	F430925	Screw	
3	F601055	Interlock Switch Spacer	
4	F340900	Interlock Switch	
5	F601081	Door Lock Plunger	
6	F150288	Door Lock Collar	
7	F430502	Screw	
8	F431201	Cotter Pin	
9	F310119	Door Lock Solenoid Spring	
10	F430211	Nut	
11	F190300	Cap	
12	F430917	Screw	
13	F300101P	Door Solenoid	120 Volt
	F300105	Door Solenoid	220 Volt
14	F330217P	RC Network Filter	Includes F140627 Connector and F141022 Connector
15	F150200	Bracket Casting	
16	F170135	Door Lock Gasket	

Left Door Box - Models UW50P2, UW50P3, UW50P4, UW65P4, UW85P3 and UW85P4



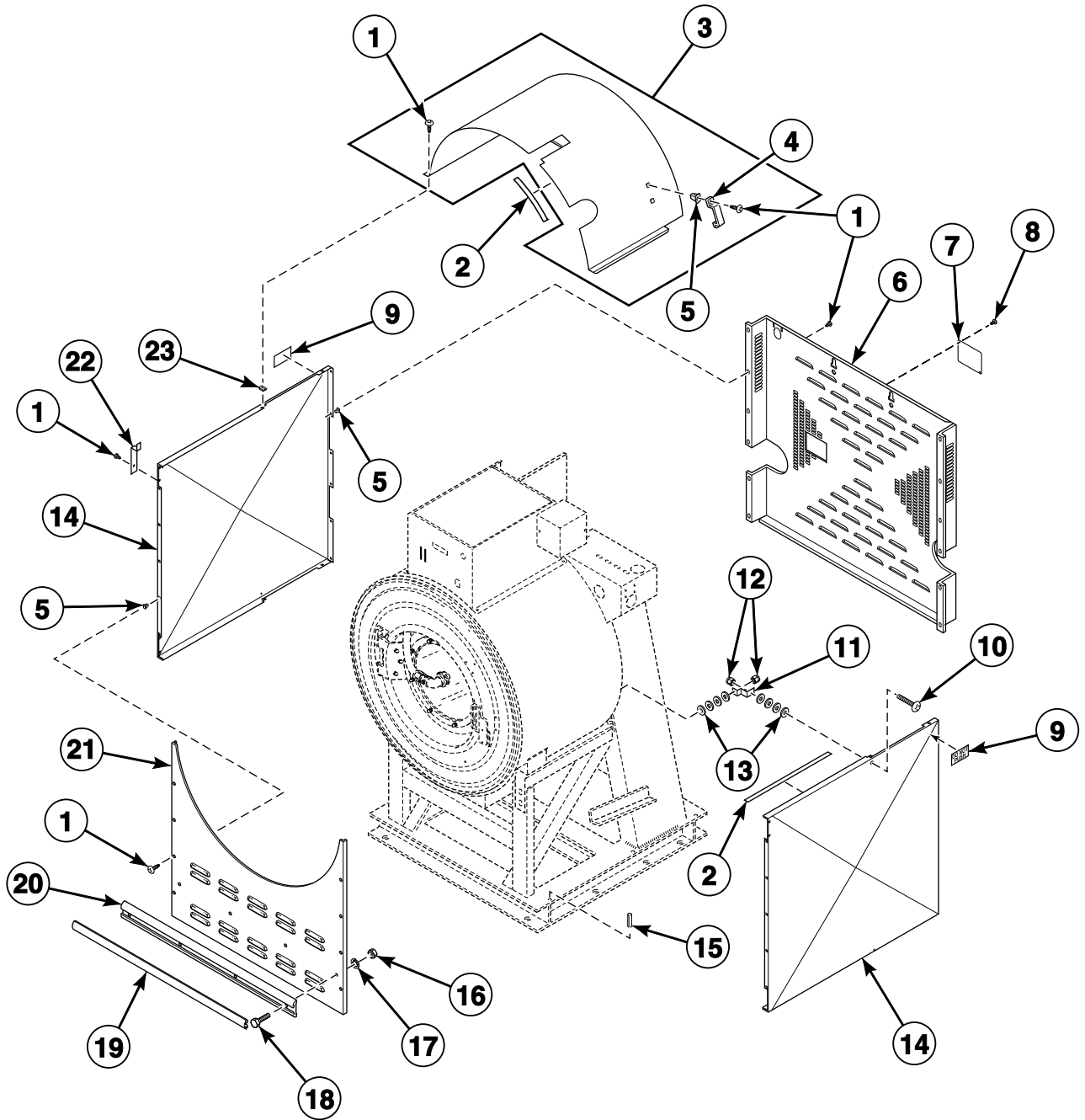
PHM314P_F232149

Left Door Box - Models UW50P2, UW50P3, UW50P4, UW65P4, UW85P3 and UW85P4

REF	PART NO.	DESCRIPTION	COMMENTS
1	F340913	Switch Extension	
2	N/A	Left Door Box	Models UW50P2, UW50P3 and UW50P4
	F601202	Left Door Box	Models UW65P4, UW85P3 and UW85P4
3	F340901	Switch	

N/A = Part no longer available

Front, Side and Rear Panels



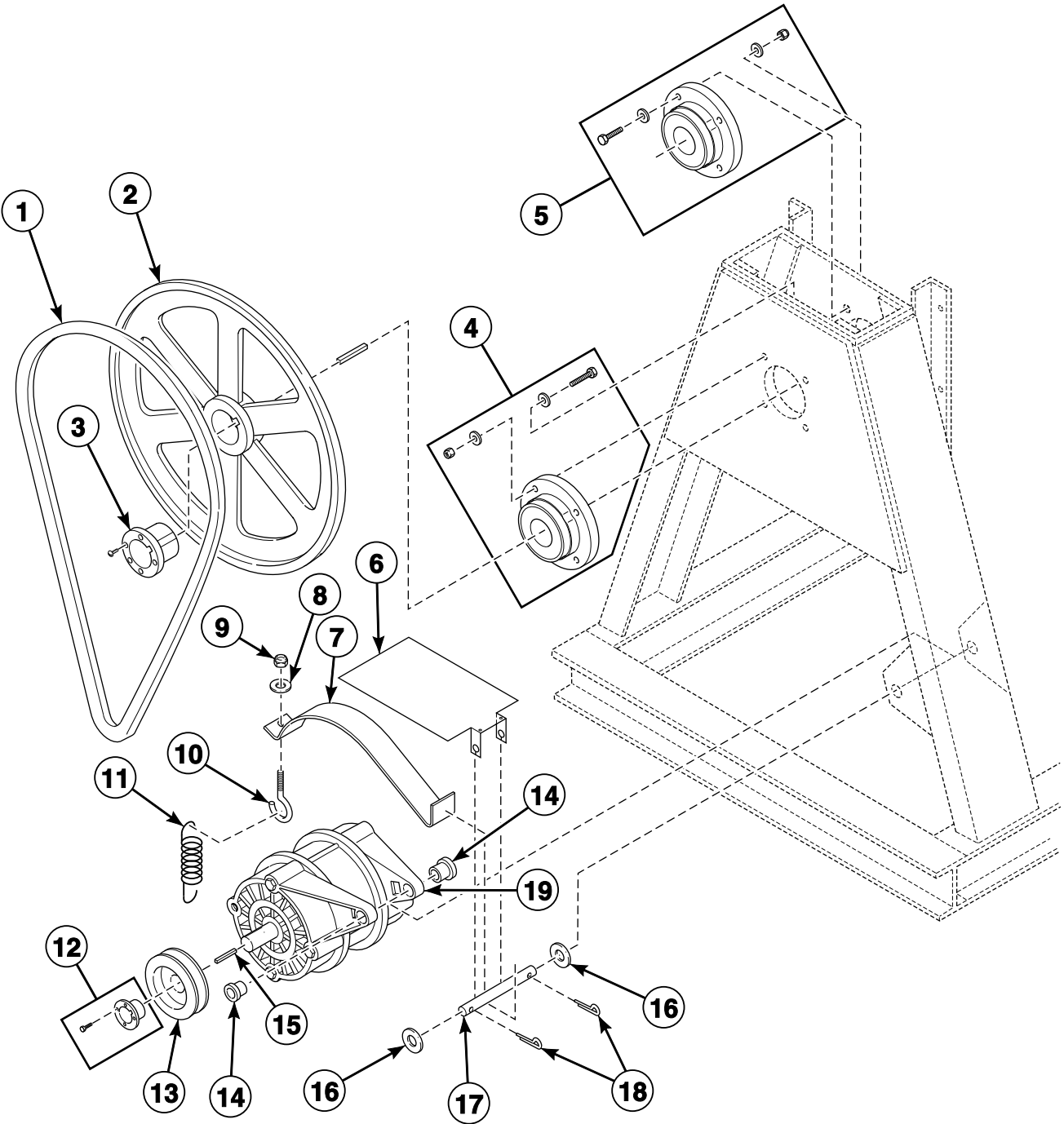
PHM2593P_F232149

Front, Side and Rear Panels

REF	PART NO.	DESCRIPTION	COMMENTS
1	F430956	Screw	
2	F170400RP	Trim	
3	F603702	Cage Wrap Kit	Models UW50P2, UW50P3 and UW50P4; Includes items 1, 2, 4 and 5
	N/A	Cage Wrap Assembly	Models UW60M2, UW60P2, UW60P3, UW60S2 and UW60S3; Includes items 1, 4 and 5
	N/A	Cage Wrap Assembly	Model UW65P4; Includes items 1, 4 and 5
	F757800-1	Cage Wrap Kit	Models UW85P3 and UW85P4; Includes items 1, 2, 4 and 5
4	F605324	Hose Strap	
5	F0431807-00	Nut	Plastic insert
6	F200187900P	Rear Panel	Models UW50P2, UW50P3, UW50P4, UW60M2, UW60P2, UW60P3, UW60S2 and UW60S3
	F200188000P	Rear Panel	Models UW65P4, UW85P3 and UW85P4
7	F200188300	Belt Inspection Port Cover	
8	70240301	Screw	
9	F230302	Do Not Push Decal	
10	F432234	Screw	
11	F601982	Side Panel Bracket	
12	F430215	Nut	
13	F430317	Washer	
14	F630323	Side Panel	Models UW60M2, UW60P2, UW60P3, UW60S2 and UW60S3 through 1/30/00
	F635648P	Side Panel	Models UW60M2, UW60P2, UW60P3, UW60S2 and UW60S3 starting 1/30/00
	N/A	Left Side Panel	Models UW50P2, UW50P3 and UW50P4
	F602893	Left Side Panel	Model UW65P4
	F602894	Left Side Panel	Models UW85P3 and UW85P4
	N/A	Right Side Panel	Models UW50P2, UW50P3 and UW50P4
	F602009	Right Side Panel	Model UW65P4
	F602010P	Right Side Panel	Models UW85P3 and UW85P4
15	F430415	Pin	
16	F430211	Nut	
17	F431100	Washer	
18	F430921	Screw	
19	F150397	Extrusion Insert	Models UW60M2, UW60P2, UW60P3, UW60S2 and UW60S3; Order 3 feet
20	F601224	Rub Rail	Models UW50P2, UW50P3 and UW50P4
	F150408	Rub Rail	Models UW60M2, UW60P2, UW60P3, UW60S2 and UW60S3
	F601236	Rub Rail	Models UW65P4, UW85P3 and UW85P4
21	F601053P	Front Panel	Models UW50P2, UW50P3 and UW50P4
	F609744P	Front Panel	Models UW60M2, UW60P2, UW60P3, UW60S2 and UW60S3 through 1/30/00
	F635649P	Front Panel	Models UW60M2, UW60P2, UW60P3, UW60S2 and UW60S3 starting 1/30/00
	F601198P	Front Panel	Models UW65P4, UW85P3 and UW85P4
22	F606667	Side Panel Cover	
23	F430264	Nut	Tinnerman

N/A = Part no longer available

Motor, Bearings, Pulley and Belt - Model UW50P2

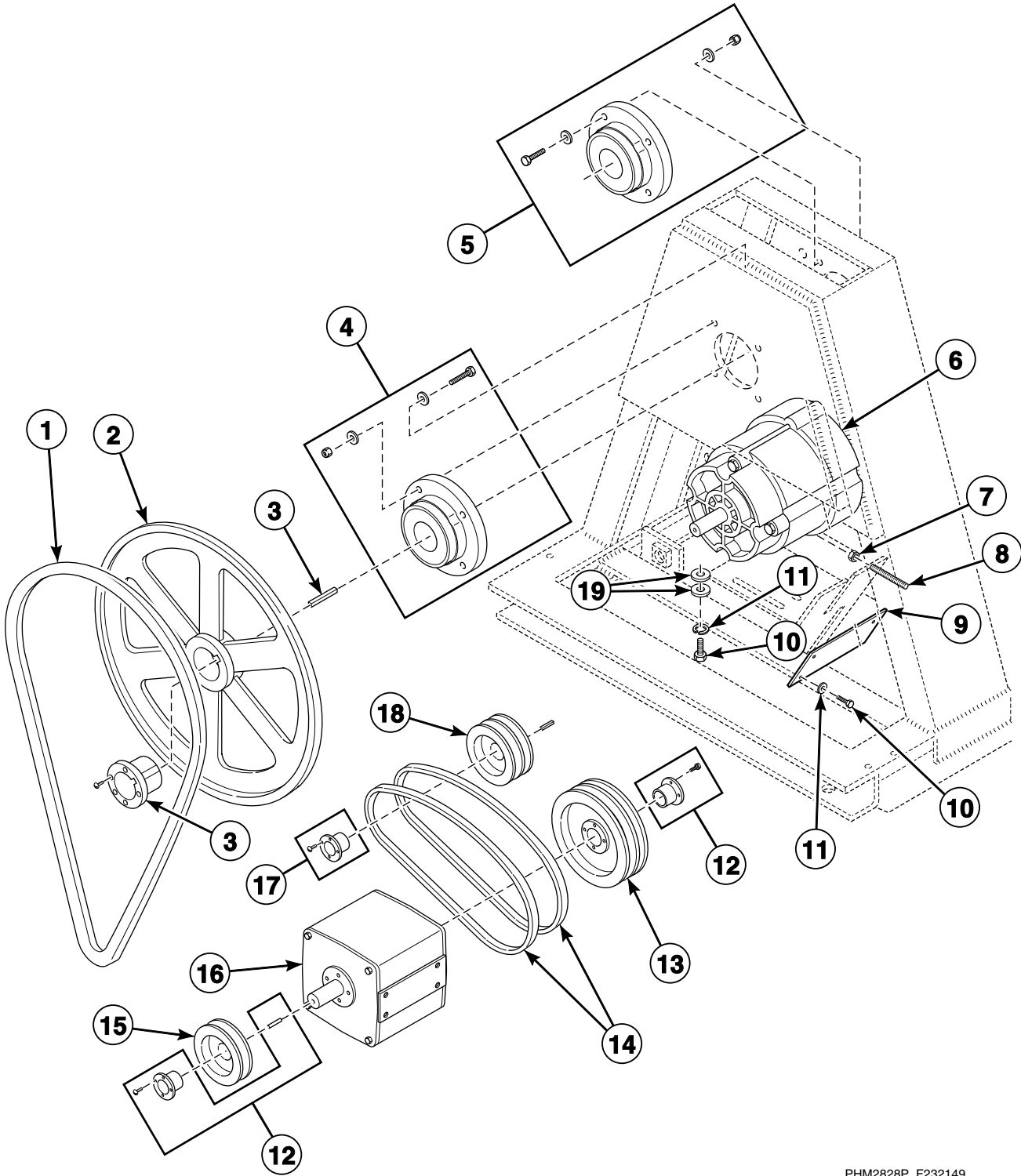


PHM2899P_F232149

Motor, Bearings, Pulley and Belt - Model UW50P2

REF	PART NO.	DESCRIPTION	COMMENTS
1	F280309	Belt	
2	F280410	Pulley	
3	F280409P	Bushing	Includes bolts and key
4	F745010	Rear Bearing Kit	
5	F798824-00	Front Bearing Kit	
6	F200280700	Motor Drip Shield	
7	F602166	Motor Adjustment Strap	
8	M400080	Washer	
9	F430233	Nut	
10	F430153	Bolt	
11	F310127	Spring	
12	F280214	Motor Bushing	Includes bolts
13	F280146P	Pulley	Model UW50P2; 60 Hertz; BK34H
	F280132P	Pulley	Model UW50P2; 50 Hertz; BK45H
	F280135	Sheave Pulley	Model UW50P2; 60 Hertz; BK40H
	F280148	Sheave Pulley	Model UW50P2; 50 Hertz; BK50H
14	F200186100	Motor Support Bushing	Use with F0220302-00P Motor
15	F430820	Key	
16	F430325	Washer	
17	F601114	Motor Support Rod	
18	F430401	Cotter Pin	
19	F8330501P	Motor	Model UW50P2; 208-240 Volt/60 Hertz/3 Phase; Uses F100124 Motor Bearing
	F220370	Motor	Model UW50P2; 220-240 Volt/50 Hertz/3 Phase; Uses F100124 Motor Bearing
	F8353801P	Motor	Model UW50P2; 380-415 Volt/50 Hertz/3 Phase; 440-480 Volt/60 Hertz/3 Phase; Includes item 13; Uses F100124 Motor Bearing

Motor, Bearings, Pulley and Belt - Model UW50P3



PHM2828P_F232149

Motor, Bearings, Pulley and Belt - Model UW50P3

REF	PART NO.	DESCRIPTION	COMMENTS
1	F280309	Belt	
2	F280410	Pulley	
3	F280409P	Bushing	
4	F745010	Rear Bearing Kit	
5	F798824-00	Front Bearing Kit	
6	F8354601P	Motor	208-240 Volt/60 Hertz/3 Phase; Wash
	N/A	Motor	220-240 Volt/50 Hertz/3 Phase; Wash
	F220425P	Motor	380-415 Volt/50 Hertz/3 Phase; Wash
7	20274	Nut	
8	F430509	Bolt	
9	F601863	Motor Reinforcement Plate	
10	800461	Screw	
11	M400014	Washer	
12	F280297	Pulley Bushing	Includes bolts
13	F280408	Pulley	2 groove; 6 inch OD
14	F280349	Belt	50 Hertz
	F280351	Belt	60 Hertz
15	F280408	Pulley	50 Hertz; 2 groove; 6 inch OD
	F280132P	Pulley	60 Hertz
16	F220413P	Motor	208-240 Volt/60 Hertz/3 Phase; Extract
	F220427P	Motor	380-415 Volt/50 Hertz/3 Phase; Extract
	N/A	Motor	220-240 Volt/50 Hertz/3 Phase; Extract
17	F280298P	Pulley Bushing	Includes bolts and key
18	F280299	Pulley	2 groove; 2.8 inch OD
19	M400081	Washer	

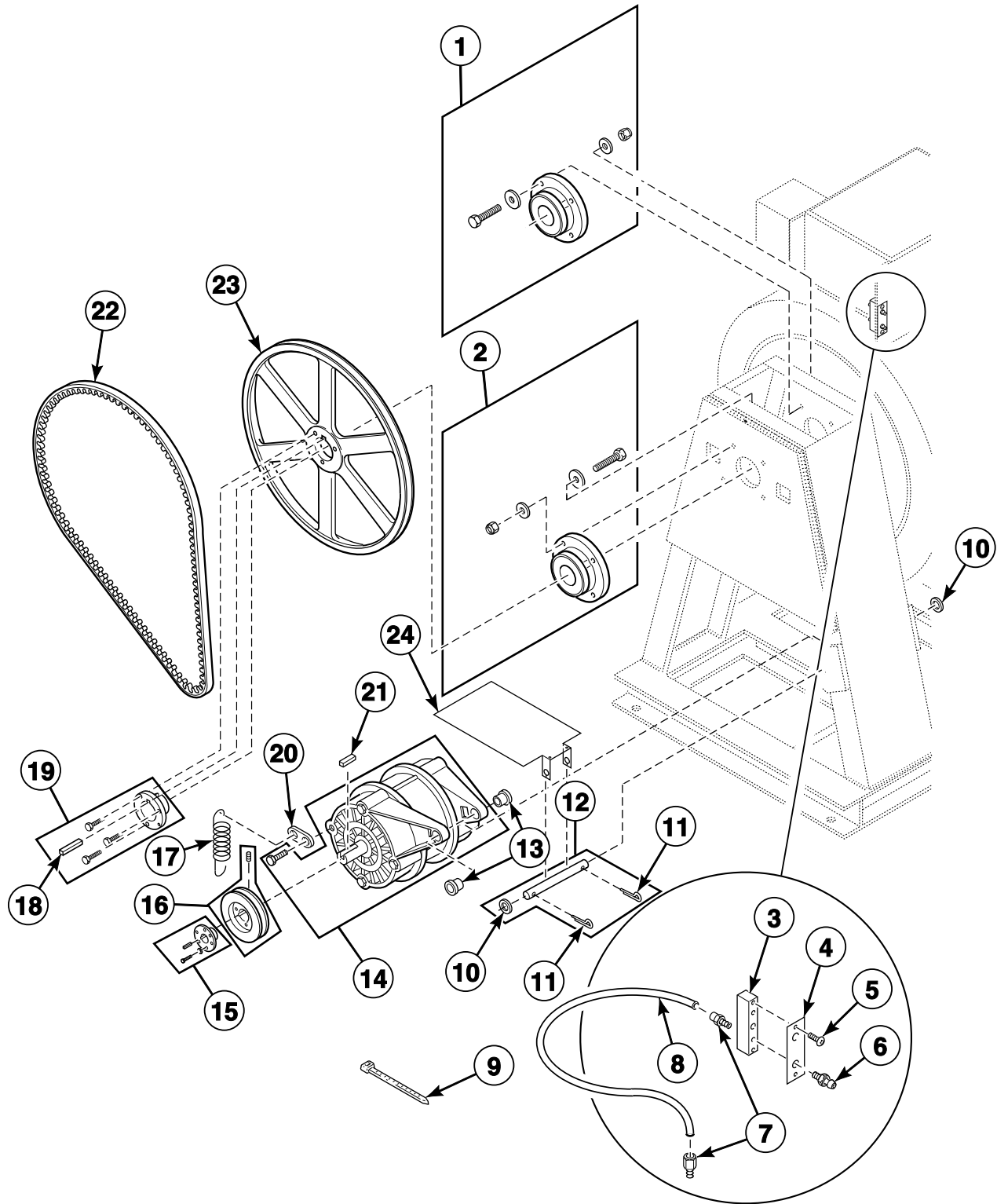
N/A = Part no longer available

Motor, Bearings, Pulley and Belt - Model UW50P4

REF	PART NO.	DESCRIPTION	COMMENTS
1	F280353	Belt	50 Hertz
	F280309	Belt	60 Hertz
2	F280256	Pulley	
3	F280257	Bushing	Includes bolts and key
4	F745010	Rear Bearing Kit	
	F210204P	Perma Lubricator	
5	F798824-00	Front Bearing Kit	
	F210204P	Perma Lubricator	
6	F220306P	Motor	208-240 Volt/60 Hertz/3 Phase; Wash; Uses F220736 (Century and Elmo) and F220740 (L/S) Motor Bearing
	F220307P	Motor	380-415 Volt/50 Hertz/3 Phase; Wash; Uses F220736 (Century and Elmo) and F220740 (L/S) Motor Bearing
7	20274	Nut	
8	F430509	Bolt	
9	F601863	Motor Reinforcement Plate	
10	800461	Screw	
11	M400014	Washer	
12	F280211P	Motor Pulley Bushing	Includes bolts
13	F280160	Motor Pulley	
14	F280338	Belt	50 Hertz
	F280306	Belt	60 Hertz
15	N/A	Motor Pulley	50 Hertz
	F280128	Motor Pulley	60 Hertz
16	F220304P	Motor	208-240 Volt/60 Hertz/3 Phase; Extract; Uses F220897 (Century and L/S) and F220738 (Elmo) Motor Bearing
17	F280212	Motor Pulley Bushing	Includes bolts and key
18	F280128	Motor Pulley	
19	M400081	Washer	

N/A = Part no longer available

Motor, Bearings, Pulley and Belt - Models UW60M2, UW60P2 and UW60S2

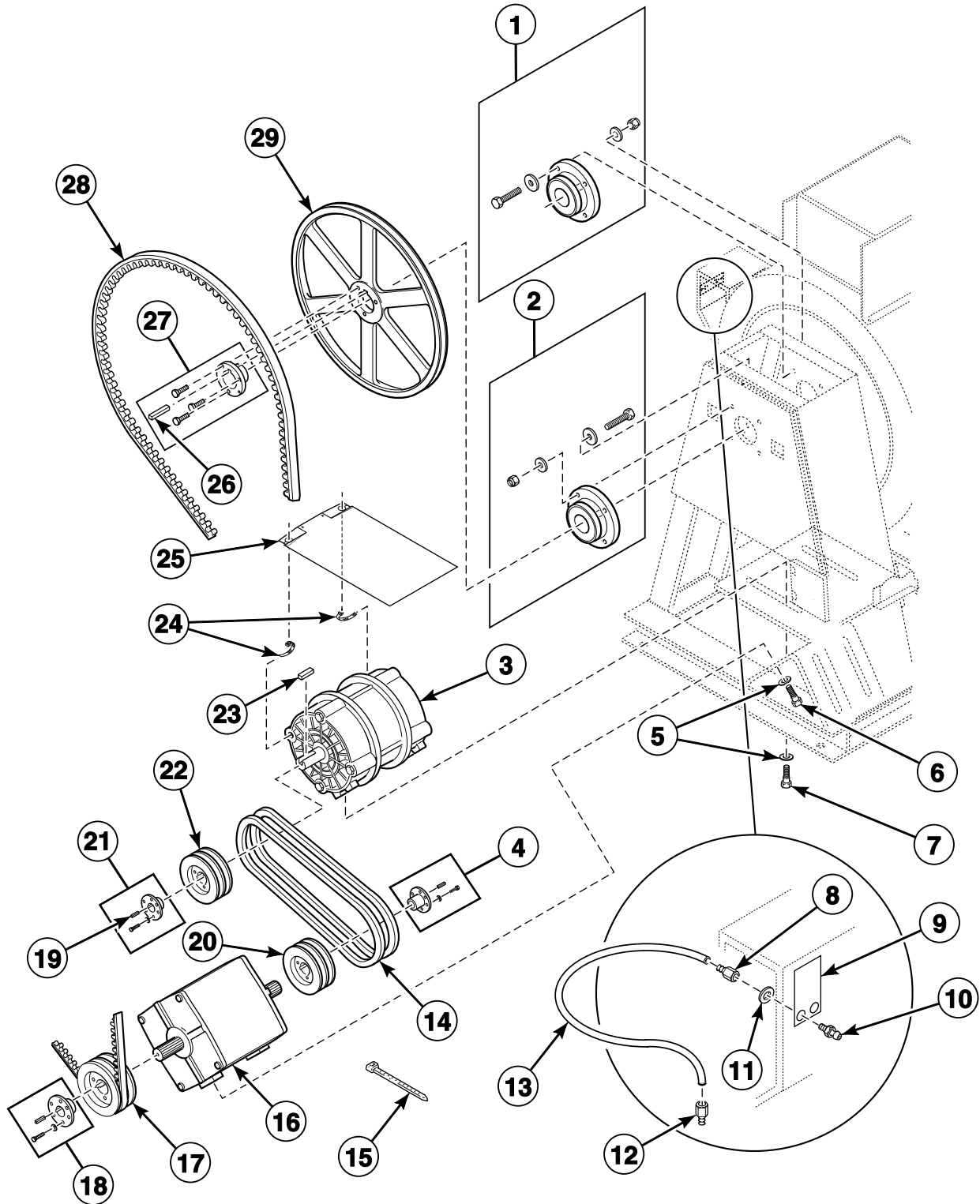


PHM2900P_F232149

Motor, Bearings, Pulley and Belt - Models UW60M2, UW60P2 and UW60S2

REF	PART NO.	DESCRIPTION	COMMENTS
1	F798824-00	Front Bearing Kit	
2	F745010	Rear Bearing Kit	
3	F320326	Grease Manifold	
	F745401	Manual Bearing Greasing Retrofit Kit	Includes items 4 and 6-8, F630433 Grease Manifold Bracket, F430211 Nut, F430322 Washer, F430923 Screw, F430925 Screw and F431024 Nut
4	F230745	Lubrication Instruction Decal	
5	F430916	Screw	
6	F190701	Grease Fitting	
7	J1408004	Connector	
8	C000628P	Tubing	
9	F140605	Cable Tie	
10	F430325	Washer	
11	F430401	Cotter Pin	
12	F730076	Motor Support Rod Kit	Includes items 10 and 11
13	F200186100	Motor Support Bushing	Use with F0220302-00P Motor
14	F8330501P	Motor	208-240 Volt/60 Hertz/3 Phase; Includes the screw and item 13
	F220370	Motor	220-240 Volt/50 Hertz/3 Phase; Includes the screw
	F8353801P	Motor	330-415 or 440-480 Volt/50 or 60 Hertz/3 Phase; Includes the screw and item 13
15	F280214	Motor Bushing	H-7/8
16	F280132P	Pulley	50 Hertz
	F280146P	Pulley	60 Hertz
17	F310127	Spring	
18	F430801	Key	
19	F280409P	Bushing	Includes item 18 and screws
20	F601515	Clip	
21	F430802	Key	
22	F280309	Belt	BX100
23	F280410	Pulley	
24	F200280700	Motor Drip Shield	

Motor, Bearings, Pulley and Belt - Models UW60P3 and UW60S3



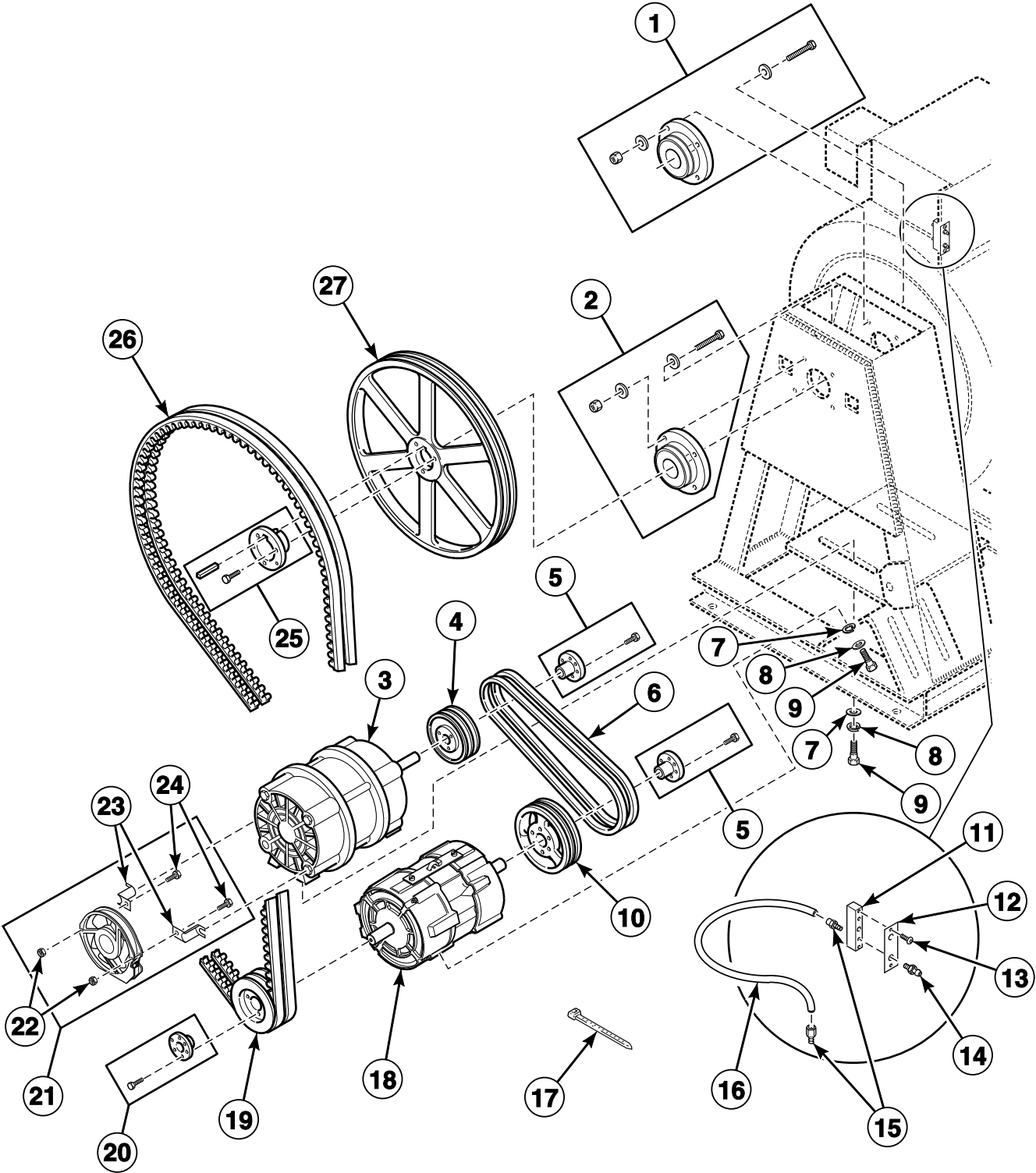
PHM2901P_F232149

Motor, Bearings, Pulley and Belt - Models UW60P3 and UW60S3

REF	PART NO.	DESCRIPTION	COMMENTS
1	F798824-00	Front Bearing Kit	Includes seal and hardware
2	F745010	Rear Bearing Kit	Includes hardware
3	F8354601P	Motor	208 or 240 Volt; Wash
	F220425P	Motor	380 or 415 Volt; Wash
4	F280297	Pulley Bushing	SH; 1-1/8; Extract; Inside
5	M400014	Washer	
6	F430116	Screw	
7	800461	Screw	
8	F422114	Air Coupling	
9	F231563	Grease Instruction Decal	Lubrication
10	F190701	Grease Fitting	
11	F430332	Washer	
12	J1408004	Connector	
13	C000628P	Tubing	
14	F280349	Belt	50 Hertz; 3V375
	F280351	Belt	60 Hertz; 3V355
15	F140605	Cable Tie	6 inch
16	F220413P	Motor	208 or 240 Volt/60 Hertz; Extract
	F220427P	Motor	380 or 415 Volt/50 Hertz; 440 or 480 Volt/60 Hertz; Extract
17	N/A	Pulley	50 Hertz; BK52H; Extract; Outside
	F280132P	Pulley	60 Hertz; BK45H; Extract; Outside
18	F280211P	Motor Pulley Bushing	H-1-1/8; Extract; Outside; Includes hardware and key
19	F430802	Key	
20	F280408	Pulley	2GR3V6SH; Extract; Inside; 2 groove; 6 inch OD
21	F280298P	Pulley Bushing	JA 7/8; Includes item 19 and hardware; Wash
22	F280299	Pulley	2G3V28JA; Wash; 2 groove; 2.8 inch OD
23	F430803	Key	
24	F140605	Cable Tie	
25	F200280700	Motor Drip Shield	
26	F430801	Key	
27	F280409P	Bushing	2-7/16; Includes item 26 and hardware
28	F280309	Belt	BX100
29	F280410	Pulley	1B255K

N/A = Part no longer available

Motor, Bearings, Pulley and Belt - Models UW65P4, UW85P3 and UW85P4



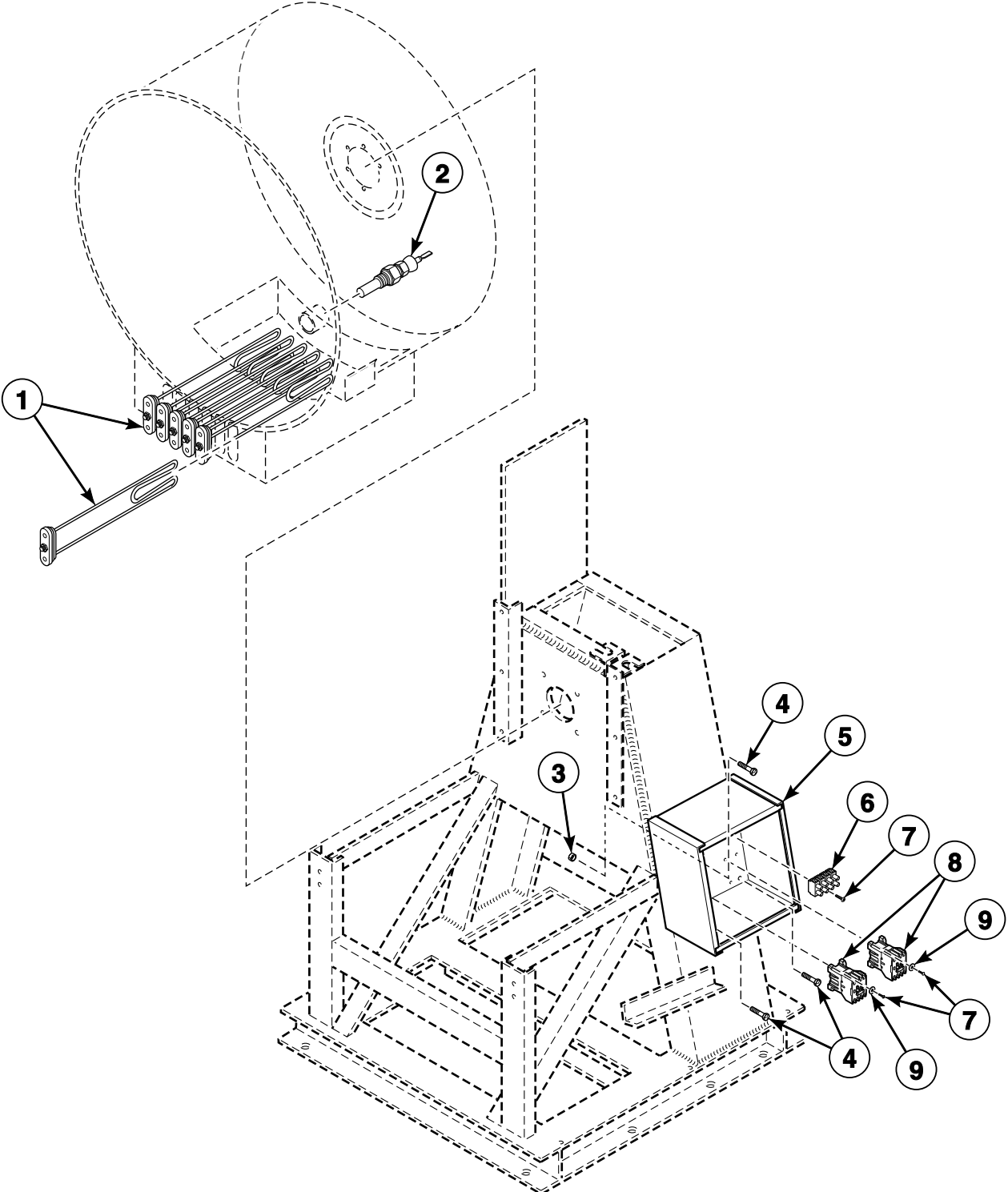
PHM3134P_F232149

Motor, Bearings, Pulley and Belt - Models UW65P4, UW85P3 and UW85P4

REF	PART NO.	DESCRIPTION	COMMENTS
1	F798831-00	Front Bearing Kit	
2	F745006	Rear Bearing Kit	
3	F220310P	Motor	208-240 Volt/60 Hertz/3 Phase; Wash; Models UW65P4 and UW85P4; Uses F100108 (Elmo), F220736 (Century) and F220740 (L/S) Motor Bearings
	N/A	Motor	380-415/50 Hertz/3 Phase and 440-480/60 Hertz/3 Phase; Wash; Uses F100108 (Elmo), F220736 (Century) and F220740 (L/S) Motor Bearings
	F220203P	Motor	208-240 Volt/60 Hertz/3 Phase; Wash; Model UW85P3
	N/A	Motor	380-415 Volt/50 Hertz/3 Phase; 440-480 Volt/60 Hertz/3 Phase; Wash; Model UW85P3
4	F280128	Motor Pulley	
5	F280212	Motor Pulley Bushing	Includes screws, washers and key
6	F280307	Belt	Models UW65P4 and UW85P4
	F280312	Belt	Model UW85P3
7	M400014	Washer	
8	M400081	Washer	
9	800461	Screw	
10	F280160	Motor Pulley	
11	F320326	Grease Manifold	
	F745401	Manual Bearing Greasing Retrofit Kit	Includes items 12 and 14-16, F630433 Grease Manifold Bracket, F430211 Nut, F430322 Washer, F430923 Screw, F430925 Screw and F431024 Nut
12	F230745	Lubrication Instruction Decal	
13	F430916	Screw	
14	F190701	Grease Fitting	
15	J1408004	Connector	
16	C000628P	Tubing	
17	F140605	Cable Tie	
18	N/A	Motor	208-240 Volt/60 Hertz/3 Phase; Extract; Uses F100108 (Elmo), F220736 (Century) and F220740 (L/S) Motor Bearings
	F220309P	Motor	380-415 Volt/50 Hertz/3 Phase and 440-480/60 Hertz/3 Phase; Extract; Uses F100108 (Elmo), F220736 (Century) and F220740 (L/S) Motor Bearings
19	N/A	Pulley	Model UW65P4; 50 Hertz
	F280128	Motor Pulley	Model UW65P4; 60 Hertz
	N/A	Pulley	Models UW85P3 and UW85P4
20	F280212	Motor Pulley Bushing	
21	F758501	Fan Kit	Includes items 22-24
22	F430231	Nut	
23	F602804	Fan Mounting Bracket	
24	F430922	Screw	
25	F280213	Bushing	Includes screws and key
26	F280309	Belt	
27	F280256	Pulley	

N/A = Part no longer available

Electric Heat Option



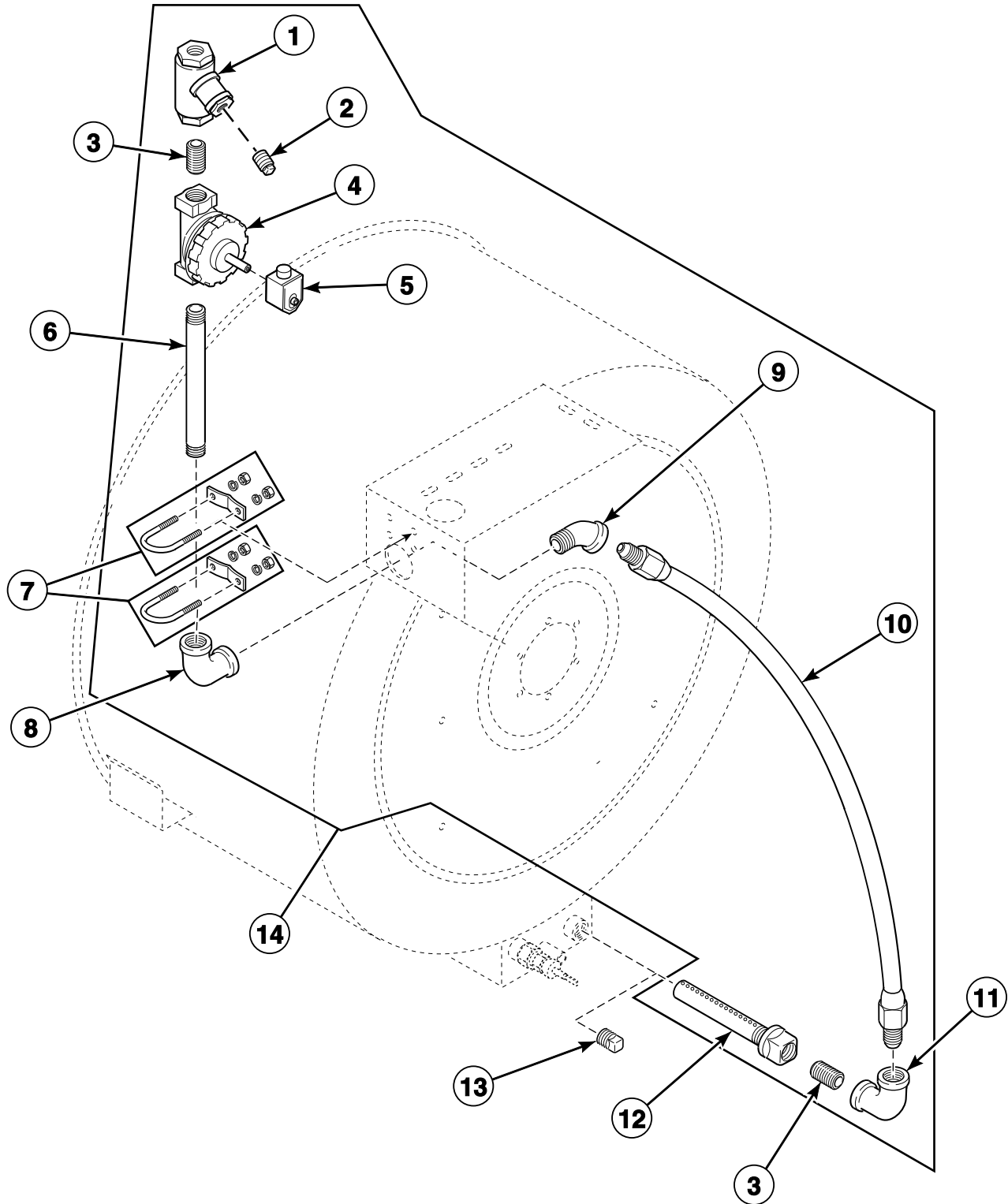
PHM2190P_F232149

Electric Heat Option

REF	PART NO.	DESCRIPTION	COMMENTS
1	F360203P	Heating Element	6 required
2	F370606P	Temperature Probe	
3	F430215	Nut	
4	F430107	Screw	
5	F140413	Box	
6	F140746	Input Power Block	
7	F430938	Screw	
8	N/A	Contactator	Models UW50P2, UW50P3 and UW50P4; 120 Volt
	N/A	Contactator	Models UW50P2, UW50P3 and UW50P4; 220 Volt
	F330187P	Contactator	All other models; 120 Volt; NX208
	F330188P	Contactator	All other models; 220 Volt; NX208
9	F430311	Washer	

N/A = Part no longer available

Steam Heat Option



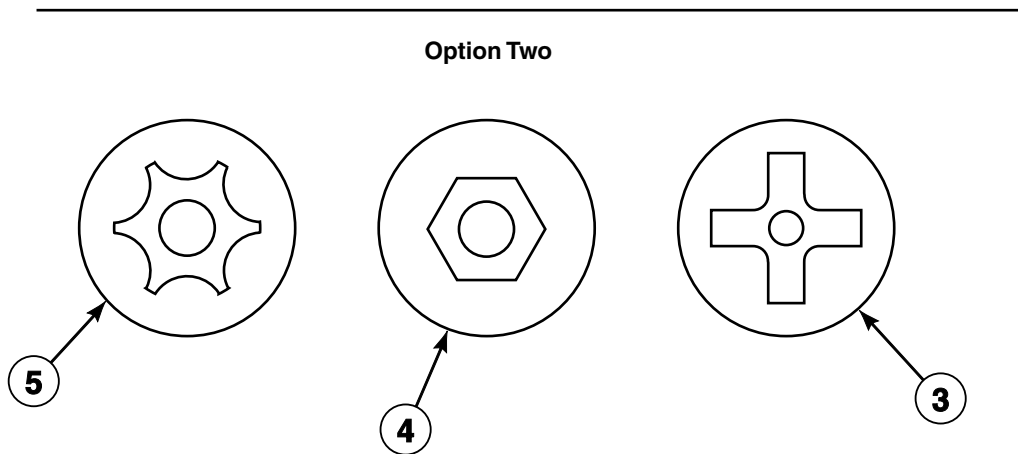
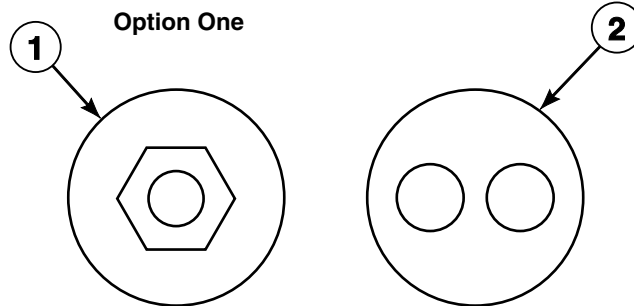
PHM2285P_F232149

Steam Heat Option

REF	PART NO.	DESCRIPTION	COMMENTS
1	F270307	Steam Filter	
2	F420409	Plug	
3	70435601	Pipe Nipple	
4	F380786P	Steam Valve	1/2 inch; 120 Volt; F380984P Steam Valve Repair Kit
	F380787P	Steam Valve	1/2 inch; 220 Volt; F380984P Steam Valve Repair Kit
5	F380986P	DIN Coil	120 Volt
	F380987P	DIN Coil	220 Volt
6	N/A	Nipple	
7	F200401P	U-Bolt Clamp	Includes hardware
8	70079601	Elbow	
9	F421108	Elbow	
10	F200153P	Steam Hose	
11	F421703	Street Elbow	
12	F603131	Steam Injector Tube Assembly	
13	F421507	Plug	
14	F633413P	Steam Plumbing Assembly	120 Volt; Includes items 1-12
	F633413-2	Steam Plumbing Assembly	220 Volt; Includes items 1-12
	F730064	Steam Kit	Models UW50P2, UW50P3 and UW50P4; Includes F200153 Steam Hose, F140887 Harness Assembly, F370606 Temperature Probe, F380786 Steam Valve, F420101 Nipple, F420501 Elbow, F430108 Screw, F430211 Nut, F430322 Washer, F601186 Steam Bracket Assembly, F603131 Steam Injection Tube Assembly, F603440 Steam Adapter Assembly, F605220 Steam Valve Harness and 70214101 Pipe Nipple
	F410300	Pipe Insulation	

N/A = Part no longer available

Security Fasteners



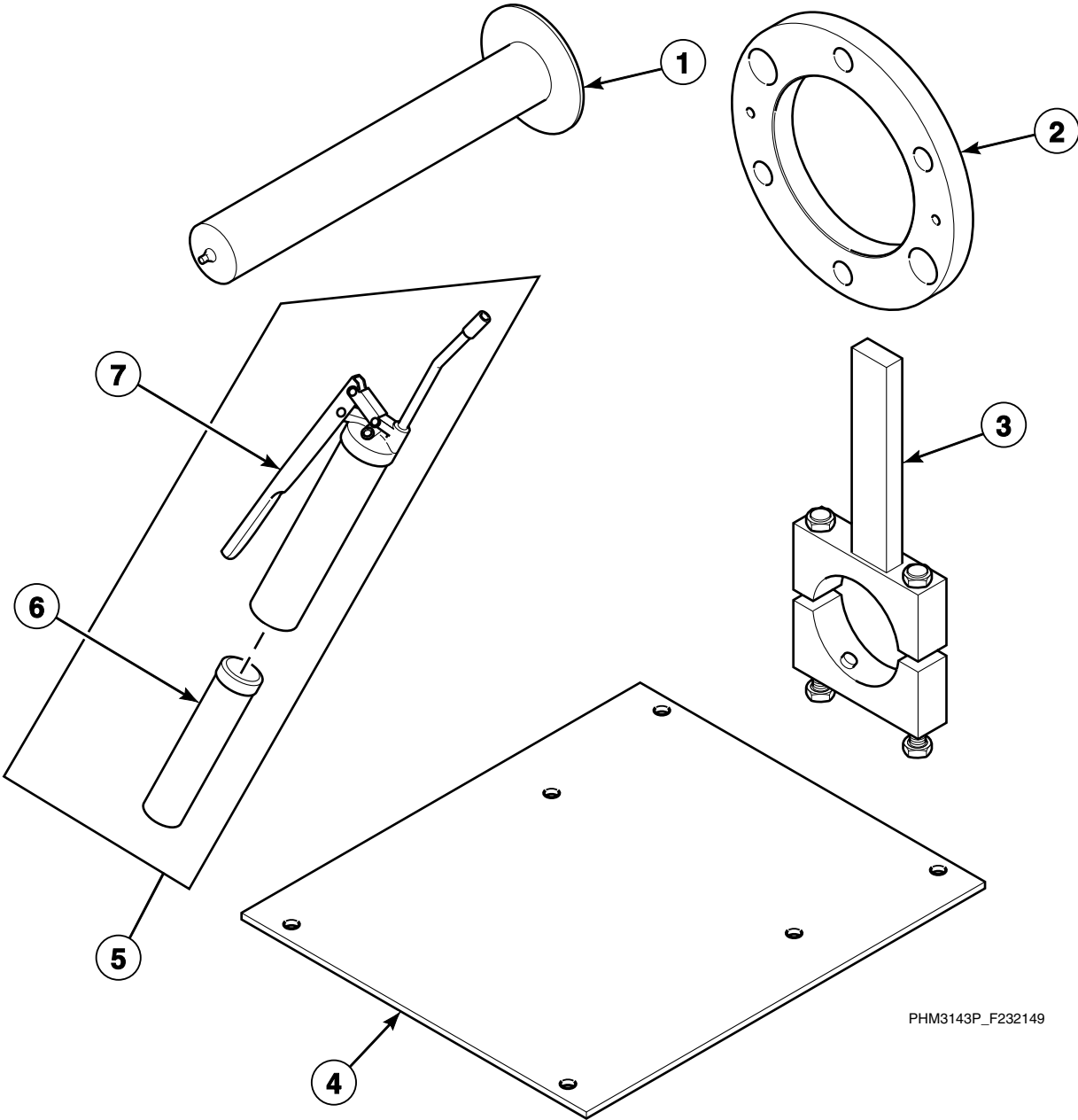
PHM2181P_F232149

Security Fasteners

REF	PART NO.	DESCRIPTION	COMMENTS
1	F0430275-00	Screw	No. 8; 32 x 1/2 inch; Used in place of F430956 Screw; Typical location is the side panels and module cover
	F430960	Screw	No. 10; 32 x 3/8 inch; Used in place of F430904 Screw; Typical location is the module to the shell
	F704906	Hex Bit	
2	F0430273-00	Screw	1/4 inch; 20 x 2-1/2 inch; Used in place of F430996 Screw; Typical location is the door box to the bracket
	F0430272-00	Screw	1/4 inch; 20 x 1-1/2 inch; Used in place of F430921 Screw; Typical location is the side panel to the bracket
	F0430274-00	Screw	1/4 inch; 20 x 1/2 inch; Used in place of F430925 Screw; Typical location is the drive box or the cover
	F704907	Spanner Bit	
3	F432260	Screw	1/4 inch; 20 x 2-1/2 inch; Used in place of F430996 Screw; Typical location is the door box to the bracket
	N/A	Phillips Bit	
4	N/A	Screw	1/4 inch; 20 x 1/2 inch; Used in place of F430925 Screw; Typical location is the drive box or cover
	N/A	Hex Bit	
5	F432259	Screw	No. 8; 32 x 1/2 inch; Used in place of F430956 Screw; Typical location is the side panels and module cover
	281P4	Torx Bit	

N/A = Part no longer available

Special Tools



PHM3143P_F232149

Special Tools

REF	PART NO.	DESCRIPTION	COMMENTS
	F730055-1	Mounting Bolt Kit	
	F798770	Rebar Frame Kit	UW60 models; Order with equipment
	1113P	Concrete Hardware Kit	
1	F633426	Alignment Shaft Assembly	UW50 and UW60 models
	F633430	Shaft Assembly	UW65 and UW85 models
2	F0100312-00	Shaft Seal Alignment Fixture	UW60 models
3	F460130	Bearing Removal Tool	UW50 models
	N/A	Bearing Removal Tool	UW85 models
4	F602941	Rebar Frame Template	UW50 and UW60 models
	N/A	Rebar Frame Template	UW65 models
	F601648	Rebar Frame Template	UW85 models
5	F798700	Grease Gun Kit	Includes items 6 and 7
6	F210206P	Bearing Grease	
7	F210207P	Grease Gun	

N/A = Part no longer available

Parts Index

A

Adapter	
F421903	37, 39
F422508	45
F8265701	35
Air Coupling	
F422114	77
Air Trap Hose	
F020014200	11, 15
F200163	11, 13
Alignment Shaft Assembly	
F633426	87
Antisiphon Valve	
F380801P	39

B

Balance Switch Bracket	
F601750	25
Basket Assembly	
F603427	55
F603697	55
F632015	55
Battery	
F191101	15, 19
Battery Adapter Board	
F370529P	19
Battery Backup Wire Harness	
F140249	19
Bearing Grease	
F210206P	87
Bearing Removal Tool	
F460130	87
Before Power Is Connected Tag	
F230501	9
Belt	
F280306	73
F280307	79
F280309	69, 71, 73, 75, 77, 79
F280312	79
F280338	73
F280349	71, 77
F280351	71, 77
F280353	73
Belt Inspection Port Cover	
F200188300	67
Bolt	
F0430540-00	25
F430153	69
F430509	71, 73
Bottom Fill Tube Assembly	
F610256	53
Box	
F140413	81
Bracket Casting	
F150200	63
Bushing	
F280213	79

F280257	73
F280409P	69, 71, 75, 77
Buzzer	
F300203P	13, 17

C

Cable Assembly	
F604713	13, 17
Cable Tie	
F140605	75, 77, 79
Cage Wrap Kit	
F603702	67
F757800-1	67
Cap	
F190300	63
Chafe Strip	
F601244	47
Chemical Supply Cup	
F150385	29, 31
F150386	29, 31
Chemical Supply Hose	
F150392	31
F150469	29
F150471	29
Circuit Breaker	
F350210	17
Clip	
F601515	75
Clockwise Spin Rotation Decal	
F230652	9, 59
Coil	
F380900	17, 21, 23, 27
F380901P	37, 39, 41
F380902P	39
F380917	17, 21, 23, 27
Cold Water Valve Decal	
F231368	9
Computer	
F370555-00P	21
Computer Cover	
F606826	17
Concrete Hardware Kit	
1113P	87
Conductor Decal	
F231146	9
Connector	
F140309	19
F140575P	13, 17
F140576P	13, 17
F422500	15
J1408004	75, 77, 79
Contact Block Switch	
F200233401	17
F340445	17
Contacto	
F330110P	11
F330114	11
F330115P	11
F330175P	13, 15, 19, 23

N/A items do not appear in index.

F330177P	13, 15, 19, 23
F330178P	13, 15, 19
F330179P	13, 15, 19
F330187P	81
F330188P	81
Contactor Mounting Panel Assembly	
F608381	15
F608382	19
Containment Device	
F0380809-00	43
Control Module Decal	
F230687	23
F230721	17
F230795	21
Control Transformer Cover	
F140425	57
Cotter Pin	
F430401	69, 75
F431201	63
Coupling	
F420301	53
Cycle Selector Switch	
F340442	23
Cycle Timer	
F160301P	23
F160304P	23

D

Diaphragm and Guide Kit	
G582P3	27
DIN Coil	
F380986P	33, 35, 83
F380987P	33, 35, 83
DIN Harness Assembly	
F141901P	33, 35
Disconnect Power Warning Label	
505281	9
Dispenser Assembly	
F0150512-00P	29, 31
Dispenser Lid	
F0150514-00	29, 31
Do Not Push Decal	
F230302	9, 67
Door Assembly	
F200119600	59
Door Box	
F606630	61
Door Box Assembly	
F603665	61
F603666P	61
Door Box Mounting Plate Assembly	
F605525	61
Door Bumper Bushing	
F430416	59
Door Bumper Moulding	
F150366	59
Door Butt Shim	
F0610695-00	59
Door Gasket	
F017014501	59
F170144	59
F170145	59

Door Glass Gasket	
F170117	59
Door Glass Kit	
F290200P	59
Door Glass Retainer	
F601239	59
Door Handle Casting	
F150203	61
Door Hinge Pin	
F601815	59
Door Hinge Strap	
F200030600	59
Door Hinge Strap Kit	
F200030600P	59
Door Kit	
F730307	59
F730539	59
F730540	59
Door Latch Bracket Shim	
F602058	61
Door Lock Collar	
F150288	63
Door Lock Gasket	
F170135	63
Door Lock Plunger	
F601081	63
Door Lock Solenoid	
F300118P	61
F300129P	61
Door Lock Solenoid Spring	
F310119	63
Door Push Brace	
F603683	61
Door Solenoid	
F300101P	63
F300105	63
Drain Conversion Kit	
F0798775-00	47
F0798776-00	47
Drain Hose	
F150438	45
F150442	45
F610376P	45, 51
Drain Lift Tube	
F602101	47
Drain Valve	
F038062800	49
Drain Valve Cover	
F200133600	45, 49
Drain Valve Insert Ring	
F602139	51
Drain Valve Kit	
F200166302	45
F200166402	45
Drain Valve Motor	
F380932P	45, 47, 49
F380933P	45, 47
Drain Valve Motor Cover	
F602372	47
Drain Valve Motor Linkage	
F602274	47

N/A items do not appear in index.

E

Elbow	
F420509	35, 37
F421108	83
F422319	59
F422900	51, 53
70079601	83
Emergency Stop Button Kit	
F200233700P	17
Emergency Stop Decal	
F231083	17
Emergency Stop Pushbutton	
F200233500	17
Extension Arm Kit	
F746802	61
F746803	61
Extension Arm Tab	
F601639	61
External Supply Connection Decal	
F0230764-02	27
F230764-1	27
F230764-7	21, 27
F230917-1	9
External Supply Control Decal	
F230606	27
External Supply Decal	
F230622	27
Extrusion Insert	
F150397	67

F

Face Seal	
F8162001	57
Fan Kit	
F758501	79
Fan Mounting Bracket	
F602804	79
Fill Plumbing Assembly	
F633146	35
F633146-1	35
F633146-2	35
F633146-3	35
F633146-4	35
F633146-5	35
F633146-6	35
F633146-7	35
Flange Relay	
F330227	13, 15, 19, 23
F330230	13, 15, 19, 23
Frame Assembly	
F601560	57
F633376	57
F633378	57
Front Bearing Kit	
F798824-00	69, 71, 73, 75, 77
F798831-00	79
Front Panel	
F601053P	67
F601198P	67
F609744P	67
F635649P	67

Fuse	
F350104	11, 13, 19, 23
F350108	11, 15, 19
F350109	15, 19
F350110	19
F350115	15, 21
F350133	15
Fuse Board Kit	
F730292	11
Fuse Holder	
F0350312-10	21
F350304P	11, 13, 19, 23

G

Gasket	
F170158P	29, 31
F170402P	27
Gate Valve	
F380500	35
Glass	
F290201P	59
Grease Fitting	
F190701	75, 77, 79
Grease Gun	
F210207P	87
Grease Gun Kit	
F798700	87
Grease Instruction Decal	
F231563	77
Grease Manifold	
F320326	75, 79
Ground Terminal Lug	
F140734	11, 13, 17, 19, 23

H

Harness Kit	
F141870P	15
Heating Element	
F360203P	81
Hex Bit	
F704906	85
Hose	
F200104P	35
F200105	53
F200126	47
F610076	53
F610086	27
F610088	27
F610196	27
F610398	27
Hose Adapter	
F421908	33, 37, 39
F421909	35, 37, 41
Hose Barb	
F421929	45, 51, 53
F421930	41
F421951	35
F421964	35
Hose Clamp	
F200201	45, 47, 51, 53
F200206	35

N/A items do not appear in index.

F200213	29, 31, 45, 51, 53
F200215	49
F200222	35
36801	27, 45, 53
Hose Connector	
F200302	17, 21, 23, 27
Hose Strap	
F605324	67
Hot Surface Warning Decal	
F200085000	9
F231380	9
Hot Water Valve Decal	
F231367	9

I

Injection Nozzle	
F8322001	27, 29, 31
Injection Nozzle Kit	
F730168	27, 29, 31
Input Power Block	
F140746	11, 13, 17, 19, 23, 81
Input Power Connector Decal	
F230677	17, 19
Insulator Bushing	
F140909	19, 27
Interlock Contactor	
F330168P	19
F330186P	13, 15, 19
Interlock Switch	
F340900	25, 61, 63
Interlock Switch Spacer	
F601055	61, 63

J

Jumper	
F603433	11
F603434	11
Junction Box Cover	
F140401	11

K

Key	
F430801	75, 77
F430802	75, 77
F430803	77
F430820	69
Keymode Decal	
F230678	13, 17, 19
Keymode Run/Program Switch	
F340800P	11, 13, 17
Keypad	
F370576P	21
Keypad Decal	
F230724P	13, 17

L

Left Door Box	
F601202	65
Left Side Panel	
F602893	67
F602894	67
Level Switch Mounting Bracket	
F603912	11, 13
Light	
F350411	23
F350412	11, 13, 17, 19, 23
F350413	23
F350414	11, 13, 17, 19, 23
Lower Door Latch Bracket Casting	
F150202	61
Lower Door Latch Casting	
F150204	61
Lower Hose	
F150391	31
Lubrication Instruction Decal	
F230745	75, 79

M

Magnet	
F8390801	61
Magnetic Switch Assembly	
F200321200	61
Main Drive Kit	
F380918	45, 49
Manual Bearing Greasing Retrofit Kit	
F745401	75, 79
Mechanical Interlock	
F330111	11
Microswitch	
F340906	25
Microswitch Decal	
F340600P	11
Module Cover Assembly	
F606138	15
Momentary Switch	
F340412	17, 21, 23
Motor	
F220203P	79
F220304P	73
F220306P	73
F220307P	73
F220309P	79
F220310P	79
F220370	69, 75
F220413P	71, 77
F220425P	71, 77
F220427P	71, 77
F8330501P	69, 75
F8353801P	69, 75
F8354601P	71, 77
Motor Adjustment Strap	
F602166	69
Motor Bushing	
F280214	69, 75

Motor Drip Shield F200280700	69, 75, 77
Motor Pulley F280128	73, 79
F280160	73, 79
Motor Pulley Bushing F280211P	73, 77
F280212	73, 79
Motor Reinforcement Plate F601863	71, 73
Motor Support Bushing F200186100	69, 75
Motor Support Rod F601114	69
Motor Support Rod Kit F730076	75
Mounting Bolt Kit F730055-1	87
Mounting Bracket F604214	23

N

Nipple F420101	33, 35, 37, 39
F420103	33, 37, 39
F420105	33, 35, 37, 39, 41
F420107	35
F420108	37, 41
F421949	33
No-Swivel Coupling F422109	59
Nut F0431807-00	67
F430202	57
F430211	55, 63, 67
F430215	47, 57, 67, 81
F430231	15, 19, 61, 79
F430233	69
F430264	67
F431000	17
F431002	61
F431005	29, 31, 57
F431006	11
F431022	11, 13, 15, 17, 19, 21, 23, 27, 59
F431026	59, 61
H88412101	25
20274	25, 57, 59, 71, 73
685846	13
70142	57
802292	27, 29, 31

O

O-Ring F0170221-00	43
F170200	59
F170208	27, 29, 31
F170215	29, 31
Output Board CCA F370449P	19
F370450P	19

Output CCA F0370444-10P	13, 15
F8321901P	15
Overflow Hose F150308	51
Overflow Plug F150352	49

P

Perma Lubricator F210204P	73
Personal Injury Warning Decal F231065	9
Pin F430415	67
Pipe F0602364-06	31
F0602364-07	51
F0602364-19	53
F0602364-23	53
F0602364-25	45
F0602365-01	45
F0602365-16	53
F0602365-20	53
F0602365-22	45
F0602365-27	53
F610040	53
F610094	51
Pipe Insulation F410300	83
Pipe Nipple 70435601	83
Plug F140527	17, 19, 23, 27
F420408	35
F420409	83
F421507	83
Plug Cap F190304	29, 31
Pop Rivet F431210	53
Program Key F370709	17
Programmer Key F370705	11
Pulley F280132P	69, 71, 75, 77
F280146P	69, 75
F280256	73, 79
F280299	71, 77
F280408	71, 77
F280410	69, 71, 75, 77
Pulley Bushing F280297	71, 77
F280298P	71, 77
Push Decal F230303	61
Push Handle Kit F746201-1	61
Pushbutton Boot F340409	11, 13

N/A items do not appear in index.

R

RC Network Filter	
F330217P	11, 13, 15, 19, 61, 63
Rear Bearing Kit	
F745006	79
F745010	69, 71, 73, 77
Rear Beraring Kit	
F745010	75
Rear Panel	
F200187900P	67
F200188000P	67
Rebar Frame Kit	
F798770	87
Rebar Frame Template	
F601648	87
F602941	87
Reducer Bushing	
F422602	45, 53
Relay	
F330203	23
F330206	23
Relay CCA	
F370437P	21
Repair Kit	
F380914P	39
F380915P	37, 41
Ribbon Cable	
F140219P	13, 15, 21
Right Door Box	
F601523	63
Right Side Panel	
F602009	67
F602010P	67
Ring Retainer	
F310206	59
Rocker Switch	
F340411	23
Rod End Clip	
F431205	47
Rub Rail	
F150408	57, 67
F601224	67
F601236	67

S

Screw	
F0430272-00	85
F0430273-00	85
F0430274-00	85
F0430275-00	85
F430101	47
F430103	47, 59
F430107	81
F430116	77
F430124	25
F430152	27
F430168	61
F430174	15
F430500	55
F430502	59, 63
F430900	25

F430903	11, 17, 23
F430909	61
F430910	19
F430916	11, 13, 17, 19, 23, 27, 61, 75, 79
F430917	17, 29, 31, 59, 61, 63
F430920	13, 19
F430921	67
F430922	23, 79
F430924	57
F430925	63
F430927	61
F430928	11, 13, 17, 21, 23
F430935	57
F430938	43, 81
F430948	27
F430956	61, 67
F430960	85
F430995	61
F430996	61
F432234	67
F432259	85
F432260	85
70240301	67
800461	25, 57, 71, 73, 77, 79
Scupper	
F150389	53
Seal Kit	
F798819-00	57
Shaft Assembly	
F633430	87
Shaft Seal Alignment Fixture	
F0100312-00	87
Sheave Pulley	
F280135	69
F280148	69
Shell Assembly	
F603731	57
F634438	57
Shell Band Assembly	
F603344P	55
F603910	55
F603911	55
Shell Band Gasket	
F170120RP	55
Shell Front Assembly	
F200119900P	55
Shell Front Kit	
F730477P	55
F730531P	55
F741303P	55
Shell Front Weldment	
F8135801P	55
Shell Gasket Shield	
F601216	55
Shell Mounting Bracket	
F601806	57
Shell Reinforcement Plate	
F601359	57
Shell Reinforcement Plate Assembly	
F8084201	45, 57
Shell Weldment	
F634438-1	57
Side Panel	
F630323	67
F635648P	67

N/A items do not appear in index.

Side Panel Bracket F601982	67	F380787P	83
Side Panel Cover F606667	67	Strain Relief Adapter Kit F749802	29, 31
Slinger F100203	57	Strain Relief Connector F140340P	29, 31
F100204	57	Street Elbow F420500	33, 35, 37, 39
Soap Dispenser Hose F150309	45	F420502	33, 35, 37, 39, 41
Soap Dispenser Shroud Weldment F8024301	29, 31	F421703	83
Soap Supply Cup F603411	27	Supply Dispenser Hazard Caution Decal F231436	9, 29, 31
Solenoid Valve F380700P	37, 39	Supply Dispenser Spacer F0150525-00	29, 31
F380701P	39	Supply Valve Cover F603650	27
F380702P	37, 41	Switch F340403P	11, 13
Spacer F431911	11	F340901	65
Spanner Bit F704907	85	Switch Extension F340913	65
Spray Plumbing Assembly F633150	33	Switch Mounting Bracket F604213	23
F633150-1	33	Swivel Coupling F422108	59
F633150-2	33		
F633150-3	33		
F633150-4	33		
F633150-5	33		
F633150-6	33		
F633150-7	33		
Spray Rinse Bracket Assembly F602901P	55, 59		
Spray Rinse Hose Assembly F730026	59		
Spray Rinse Hose Kit F730024	59		
Spray Rinse Nozzle Kit F730077	59		
Spray Rinse Strap F602880	59		
Spray Rinse Tube Assembly F603696-9	59		
F610364	59		
Spring F310127	69, 75		
Spring Pin H88900683	47		
Squeeze Connector F140311	19		
Standoff F180506	15, 19		
Steam Filter F270307	83		
Steam Hose F200153P	83		
Steam Injector Tube Assembly F603131	83		
Steam Kit F730064	83		
Steam Plumbing Assembly F633413P	83		
F633413-2	83		
Steam Valve F380786P	83		

T

Tee F420400	37, 39
F420401	33, 37, 39
F420402	35, 41
F420403	41
F422801	45
F422803	45, 51, 53
F422805	11, 13
Temperature Probe F370606P	25, 81
Terminal Strip F140738	11, 13, 17, 19, 21, 23, 27
This Machine Must Be Protected Decal F230301	9, 27
Timer Cycle Indicator F150378	23
Timer Glass F150310	23
Top Fill Assembly F610260	41
F610261	39
Top Latch Bracket Casting F150201P	61
Torx Bit 281P4	85
Transformer C000203	57
Trim F170400RP	27, 29, 31, 67
Tube Connector F422106	33, 37, 39
Tubing C000628P	75, 77, 79
F422404P	11, 13, 15, 23

N/A items do not appear in index.

U

U-Bolt Clamp	
F200401P	33, 37, 39, 83
F200411	35

V

Vacuum Breaker	
F380117	45
Vacuum Breaker Cap	
F0380808-00	43
Vacuum Breaker Kit	
F0798922-00	43
Vacuum Breaker Valve	
F063754701P	43
F380800P	33, 35, 37, 39, 41
Valve	
F381700P	35
F381701P	35
F381702P	33
F381703P	33
Valve Repair Kit	
F380938	27
F380993P	33
Valve, 4-Way	
F380715P	17, 21, 23, 27
F380725P	17, 21, 23, 27
F381723P	17, 21, 23, 27
F381724P	17, 21, 23, 27

W

Washer	
F430311	23, 81
F430317	47, 55, 67
F430325	69, 75
F430332	77
F431100	29, 31, 57, 59, 61, 67
F431106	17
F431108	15, 61
F431112	57
F431113	11, 13, 15, 19, 21, 23
F431116	57
F431118	61
F431142	61
F431147	29, 31
F8171201	57
F8195301	29, 31
M400013	57
M400014	25, 57, 71, 73, 77, 79
M400080	69
M400081	25, 57, 71, 73, 79
20290	33, 35, 37, 41
803615	33, 35, 37, 41
Water Hose	
F200107P	45, 51, 53
F200108P	35
F200110P	27
F200164	33, 35, 37, 41
F200166	33, 35, 37, 41
Water Level Switch	
F0340347-10P	15, 19

N/A items do not appear in index.

F340308P	11, 13, 15
F340309P	11
F340316P	23
Water Level Switch Bracket	
F630242	15, 19, 23
Water Valve Repair Kit	
F380991P	35
WE-5 Board	
F370717P	11
WE-6 Computer	
F370534-00P	13, 15
