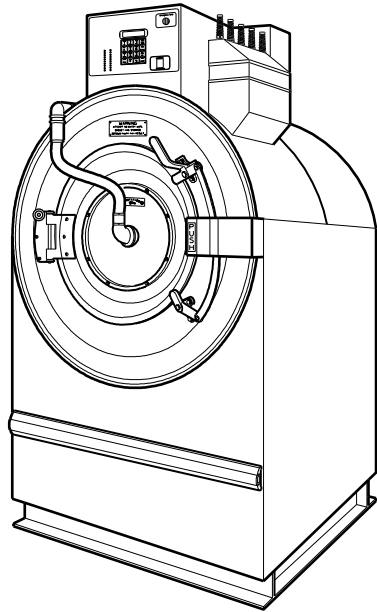


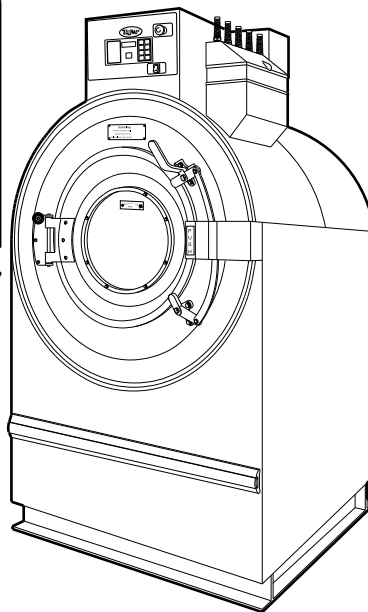
# Washer-Extractor

Pocket Hardmount

Refer to Page 3 for Model Numbers



Models UW60P2 and UW60P3



Model UW60B2

PHM1411C\_F232166



# Table of Contents

Title	Page
Parts Ordering Information.....	2
Nameplate Location.....	2
Model Identification.....	3
Pocket Hardmount Washer-Extractor Product Overview.....	4
Decals.....	6
Control Module - Model UW60B2 (Drawing 1 of 3).....	8
Control Module - Model UW60B2 (Drawing 2 of 3).....	10
Control Module - Model UW60B2 (Drawing 3 of 3).....	12
Control Module - Models UW60P2 and UW60P3 (Drawing 1 of 4).....	14
Control Module - Models UW60P2 and UW60P3 (Drawing 2 of 4).....	16
Control Module - Models UW60P2 and UW60P3 (Drawing 3 of 4).....	18
Control Module - Models UW60P2 and UW60P3 (Drawing 4 of 4).....	20
Balance Switch, Temperature Probe and Rotation Sensor.....	22
Supply Dispenser.....	24
Water Supply Valve and Hoses to Supply Dispenser.....	26
Spray Plumbing - Design 5 UW60P2 and UW60P3 Models.....	28
Spray Plumbing - Design 7 and 8 UW60P2 and UW60P3 Models.....	30
Fill Plumbing - Design 5 UW60P2 and UW60P3 Models Through 2/29/02.....	32
Fill Plumbing - Design 5 UW60P2 and UW60P3 Models Starting 3/1/02.....	34
Fill Plumbing - Design 7 and 8 UW60P2 and UW60P3 Models.....	36
Fill Plumbing - Model UW60B2.....	38
Drain System, Overflow and Vent Pipes.....	40
Basket, Shell and Frame.....	42
Door and Spray Tube.....	44
Door Lock.....	46
Front, Side and Rear Panels.....	48
Motor and Pulley - Models UW60B2 and UW60P2.....	50
Motor and Pulley - Model UW60P3.....	52
Electric Heat Option.....	54
Steam Heat Option and Transformers.....	56
Security Fasteners.....	58
Special Tools.....	60
Parts Index.....	63

© Copyright 2013, Alliance Laundry Systems LLC

All rights reserved. No part of the contents of this book may be reproduced or transmitted in any form or by any means without the expressed written consent of the publisher.

# Parts Ordering Information

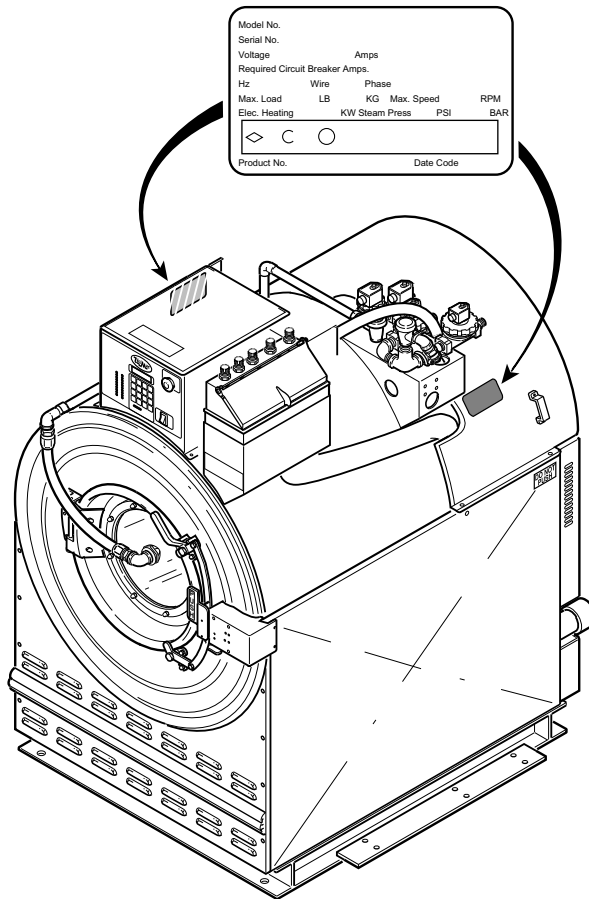
If literature or replacement parts are required, contact the source from whom the machine was purchased or contact Alliance Laundry Systems at (920) 748-3950 for the name and address of the nearest authorized parts distributor.

For technical assistance, call either of the numbers listed below:

(920) 748-3121 Ripon, Wisconsin  
+32 56 41 20 54 Wevelgem, Belgium

# Nameplate Location

When calling or writing about your product, be sure to mention model and serial numbers. Model and serial numbers are located on nameplate(s) as shown.



PHM2382P\_F232166

## Model Identification

Information in this manual is applicable to these washer-extractor models:

UW60B2

UW60P2

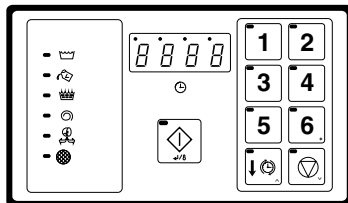
UW60P3

**NOTE:** Models with 5, 7 or 8 in the 9th position in the model number (e.g. UW60P2OU50001).

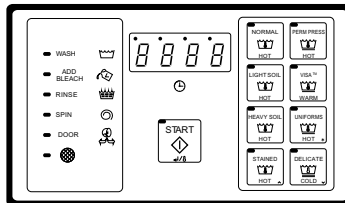
# Pocket Hardmount Washer-Extractor Product Overview

Model No. UW60AMXUB0001  
 Serial No. 00000000000  
 Voltage 200 – 240 Amps 10  
 Circuit Breaker 15 Amps  
 Hz 50 – 60 Wire 2/3 Phase S 3  
 Max. Load 60 LB 27 KG Max. Speed 594 RPM  
 Elec. Heating N/A Steam Press. N/A PSI 0.0 BAR

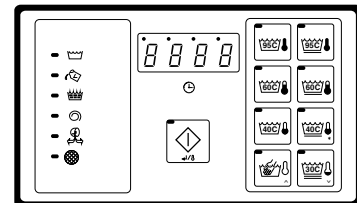
**Drawings:**  
 ETL Listed  
 Conforms To ANSI/UL Std. 1206, 3rd Ed  
 Certified To CAN/CSA Std. C22.2 No.53-1968



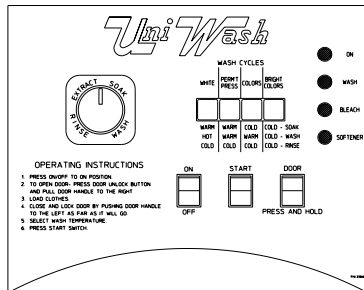
A-Control



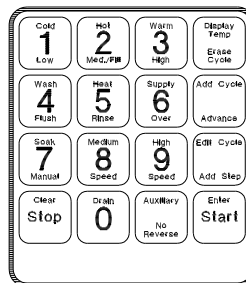
B-Control (Domestic)



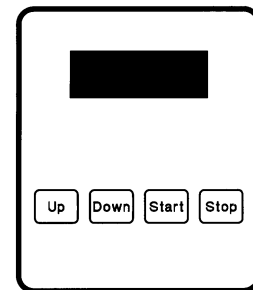
B-Control (International)



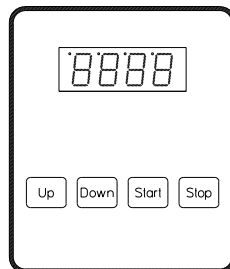
Mechanical Timer



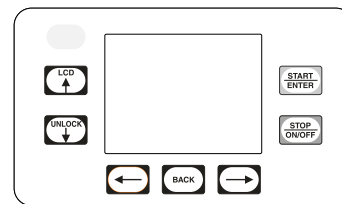
WE-6 Control



S-Computer



V-Computer



UniLinc Control

PHM2979P\_F232166

## Pocket Hardmount Washer-Extractor Product Overview

REF	PART NO.	DESCRIPTION	COMMENTS
1	-	Product Family	UW
2	-	Capacity (Pounds)	35 60 80 100 125 150
3	-	Control	A (A-Control) B (B-Control) M (Mechanical Timer) P (WE-6 Control) S (S-Computer) V (V-Computer) T (UniLinc Control)
4	-	Speed	2 (2-Speed) 3 (3-Speed) 4 (4-Speed) V (Variable-Speed)
5	-	Voltage	F (440-480/60/3/3) N (440-480/50-60/3/3) O (208-240/60/3/3) P (380-415/60-60/3/3) Q (200-208/220-240/50/60/3ph) R (380-415/440-480/50/60/3ph) X (200-220/220-240/50/60/1-3) Y (208-240/60/1/2)
6	-	OEM	U (Standard Specs)
7	-	Design Series	1-8

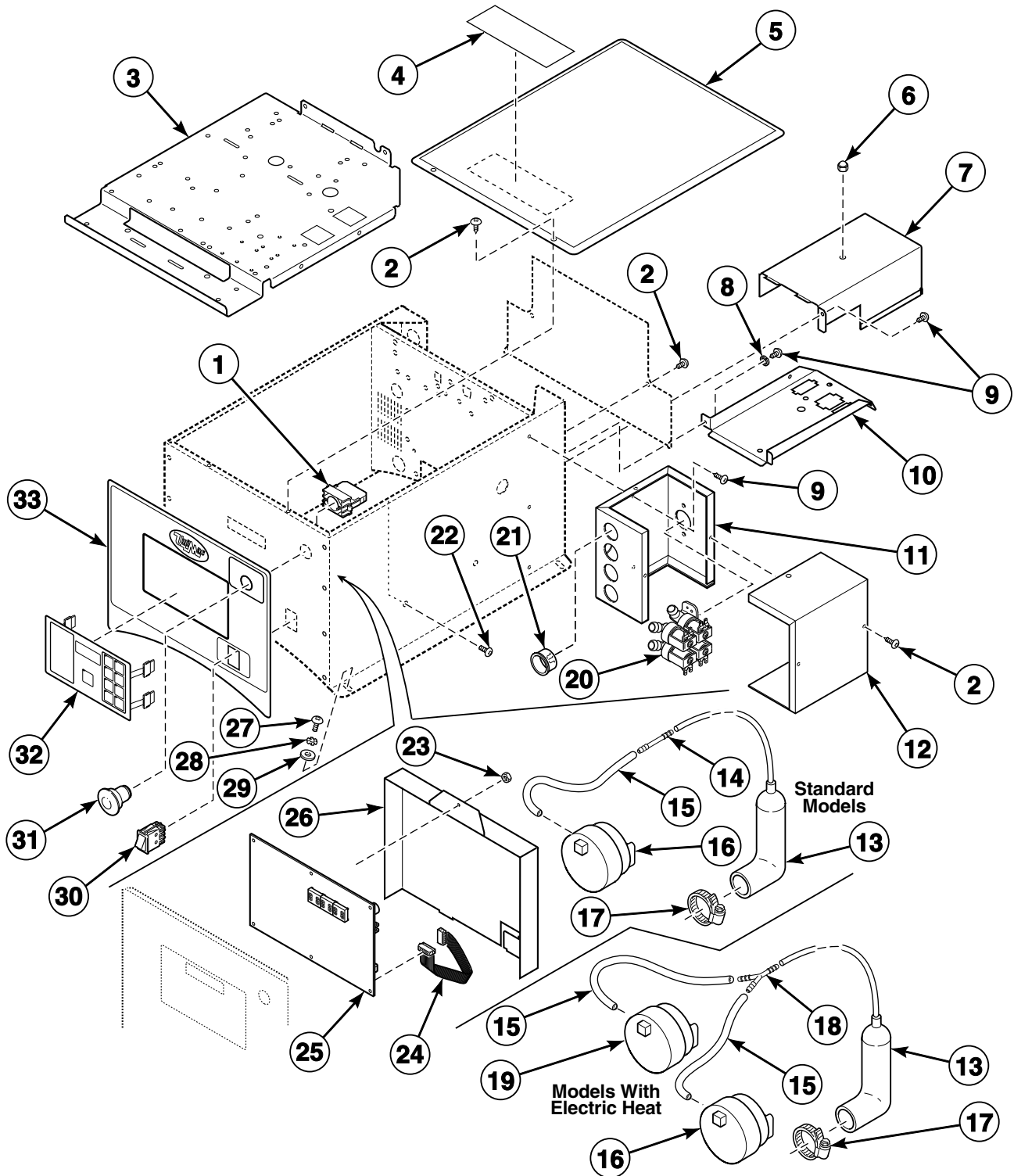




# Decals

REF	PART NO.	DESCRIPTION	COMMENTS
1	505281	Disconnect Power Warning Label	
2	F230301	This Machine Must Be Protected Decal	
3	F231146	Conductor Decal	
4	F231345-4	External Supply Caution Decal	
5	F231380	Hot Surface Warning Decal	
6	F231368	Cold Water Valve Decal	
7	F231367	Hot Water Valve Decal	
8	F230302	Do Not Push Decal	
9	F231436	Supply Dispenser Hazard Caution Decal	
10	F230501	Before Power Is Connected Tag	
11	F230652	Clockwise Spin Rotation Decal	
12	F200085000	Hot Surface Warning Decal	
13	F231065	Personal Injury Warning Decal	

# Control Module - Model UW60B2 (Drawing 1 of 3)



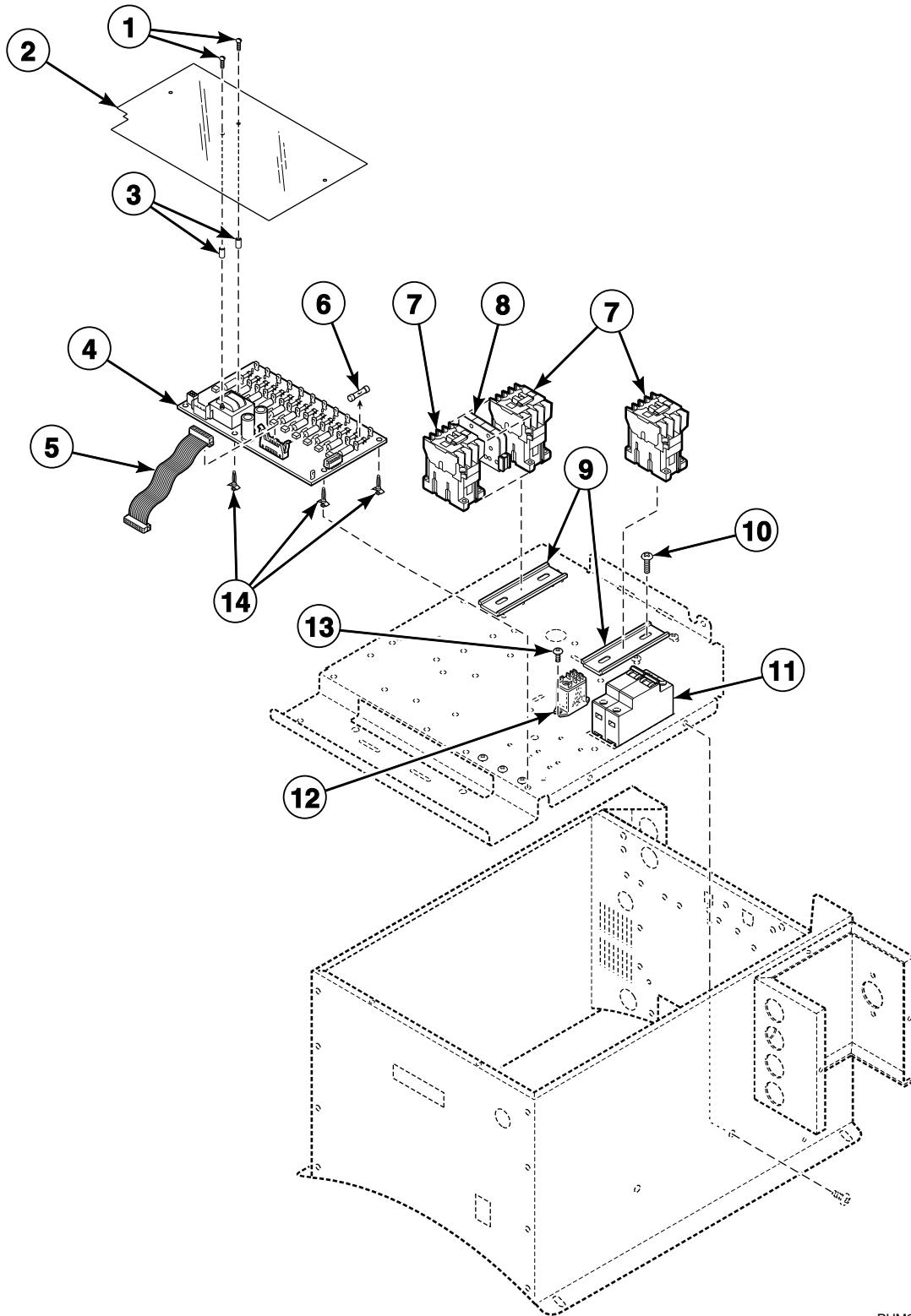
PHM2433P\_F232166

## Control Module - Model UW60B2 (Drawing 1 of 3)

REF	PART NO.	DESCRIPTION	COMMENTS
1	F340445	Contact Block Switch	800E-series; Includes F200299500 Contact Block Switch
	F200299500	Contact Block Switch	800E-series
	F200233700P	Emergency Stop Button Kit	Used to convert from 800E-series to 800F-series; Includes F200233401 Contact Block Switch and F200233500 Emergency Stop Pushbutton
	F200233401	Contact Block Switch	800F-series; Models starting 10/1/07
2	70240301	Screw	
3	N/A	Control Mounting Panel Assembly	
4	505281	Disconnect Power Warning Label	
5	F635456	Control Module Cover	
6	F431026	Nut	
7	F635476	Cable Tray Cover	
8	F431113	Washer	
9	F430917	Screw	
10	N/A	Cable Tray Assembly	
11	F635468	External Supply Box	
12	F635365	External Supply Box Cover	
13	F020014200	Air Trap Hose	
14	F422500	Connector	
15	F422404P	Tubing	
16	F0340347-10P	Water Level Switch	
17	F200215	Hose Clamp	No. 28
18	F422806	Tee	
19	F8223001P	Water Pressure Switch	1 level
20	F381723P	4-Way Valve	
	G582P3	Diaphragm and Guide Kit	
21	F140938	Snap Bushing	
22	F430928	Screw	
23	F431000	Nut	
24	F140247	Ribbon Cable	26 pin; 8 inch
25	F0370455-20P	Computer	
26	F0636887-00	Control Cover	
27	F8136401	Screw	
28	F431108	Washer	
29	F431123	Washer	
30	F340412	Momentary Switch	Models through 5/26/04
	F200120100	Momentary Switch	Models starting 5/27/04
31	N/A	Emergency Stop Pushbutton	800E-series; Order F200233700P Emergency Stop Button Kit
	F200233500	Emergency Stop Pushbutton	800F-series; Models starting 10/1/07
32	F0231582-01P	Keypad	
33	F0231565-00	Control Module Decal	

**N/A = Part no longer available**

# Control Module - Model UW60B2 (Drawing 2 of 3)

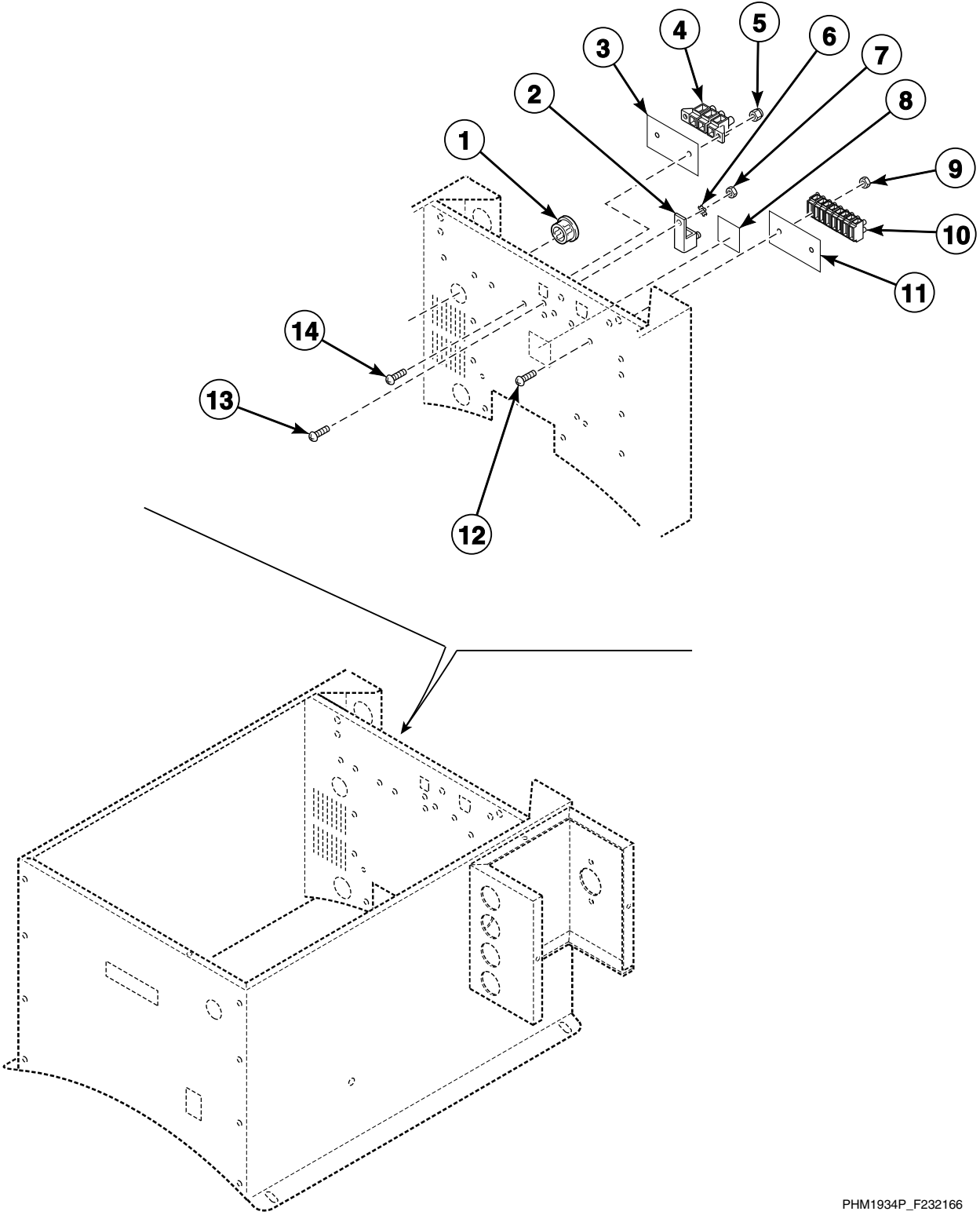


PHM2128P\_F232166

## Control Module - Model UW60B2 (Drawing 2 of 3)

REF	PART NO.	DESCRIPTION	COMMENTS
1	F431702	Screw	
2	F0170427-00	Output Board Cover	
3	F431806	Nut	
4	F037044860-2	Output CCA	
5	F140247	Ribbon Cable	26 pin; 8 inch
6	F350110	Fuse	1 Amp; Slo blo
	F350109	Fuse	1/2 Amp; Fast blo
	F350108	Fuse	1/8 Amp; Slo blo
7	F330177P	Contactor	
8	F330186P	Interlock Contactor	
9	F602595-5	DIN Contactor Mounting Rail	
10	F430903	Screw	
11	F350217	Circuit Breaker	C and F-voltage
12	F330230	Flange Relay	220 Volt
13	F430928	Screw	
14	F180501	Standoff	

# Control Module - Model UW60B2 (Drawing 3 of 3)

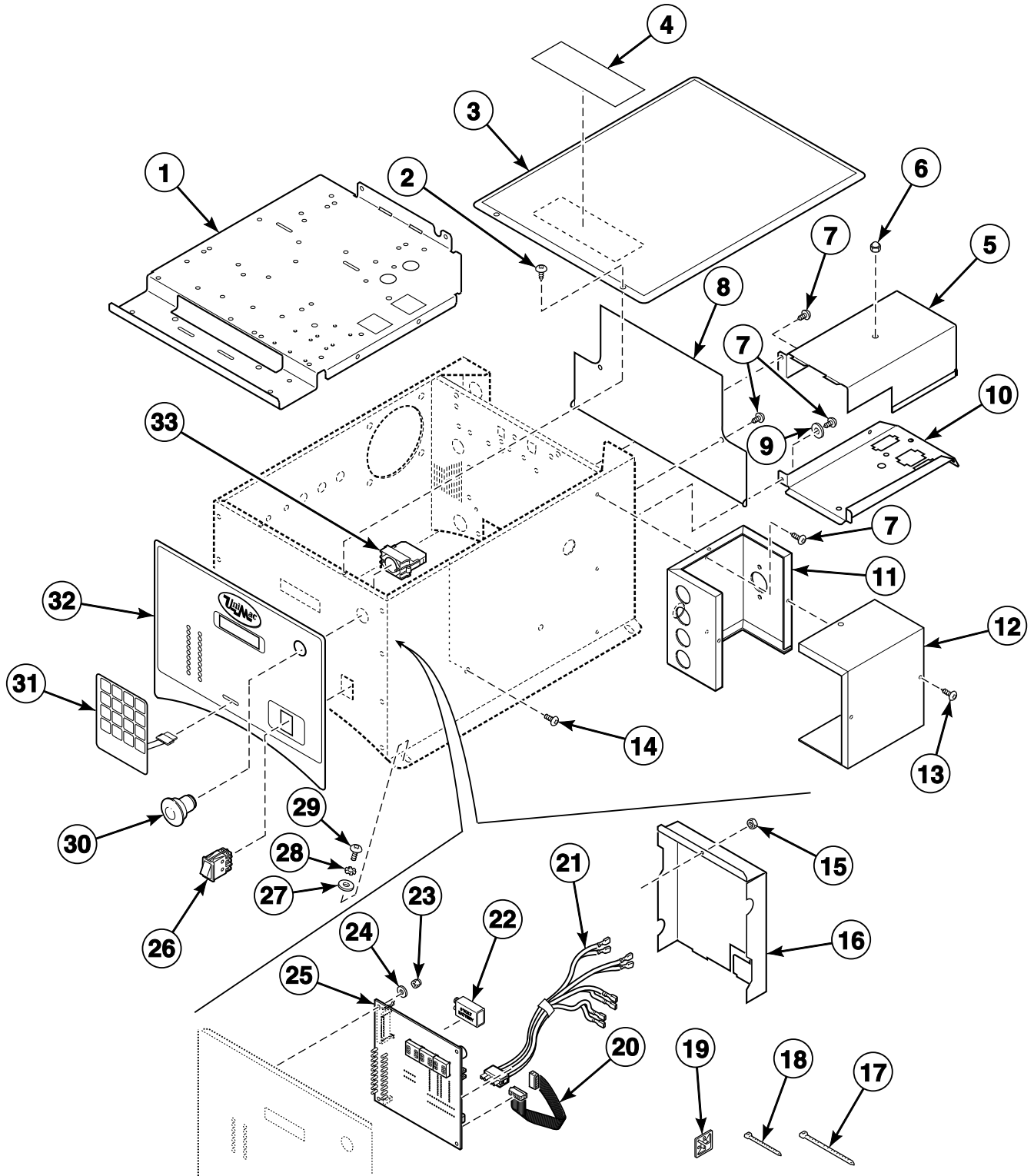


PHM1934P\_F232166

## Control Module - Model UW60B2 (Drawing 3 of 3)

REF	PART NO.	DESCRIPTION	COMMENTS
1	F140909	Insulator Bushing	
2	F140734	Ground Terminal Lug	
3	F231437	Input Power Decal	
4	F140794-1	Input Power Block	
5	F430231	Nut	
6	F431106	Washer	
7	F431000	Nut	
8	F230630	Ground Decal	
9	F430231	Nut	
10	F140776	Terminal Block	
11	F230764-11	External Supply Connection Decal	O-voltage
	F230764-12	External Supply Connection Decal	F-voltage
12	F430910	Screw	
13	F430995	Screw	
14	F430920	Screw	

# Control Module - Models UW60P2 and UW60P3 (Drawing 1 of 4)



PHM2343P\_F232166

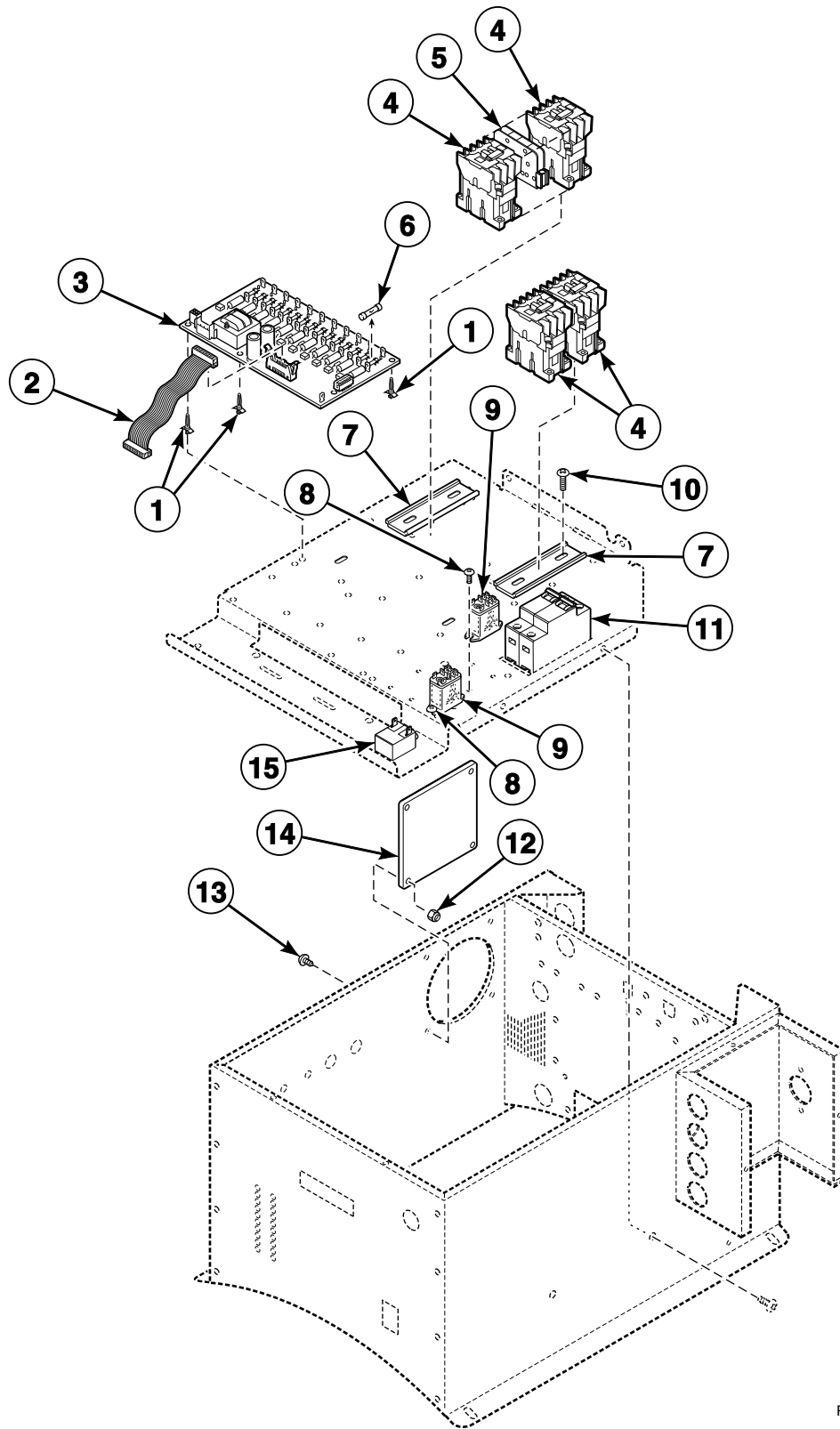


# Control Module - Models UW60P2 and UW60P3 (Drawing 1 of 4)

REF	PART NO.	DESCRIPTION	COMMENTS
	F0635734-01	Main Harness	
1	N/A	Control Mounting Panel Assembly	
2	70240301	Screw	
3	F635456	Control Module Cover	
4	505281	Disconnect Power Warning Label	
5	F635478	Cable Tray Cover	
6	F431026	Nut	
7	F430917	Screw	
8	F635448	Electrical Access Panel	Design 5 models
	F0637549-00	Electrical Access Panel	Design 7 and 8 models
9	F431113	Washer	
10	N/A	Cable Tray Assembly	
11	F635468	External Supply Box	
12	F633435	External Supply Box Cover	
13	F430174	Screw	
14	F430928	Screw	
15	F431000	Nut	
16	F606826	Computer Cover	
17	F140606	Cable Tie	15 inch
18	F140605	Cable Tie	6 inch
19	F140602	Tie Wrap Mounting Clamp	
20	F140219P	Ribbon Cable	26-pin; 15 inch; Connects computer to output cca
21	F0141930-00	Computer Input Harness	
22	F191101	Battery	9 Volt; Backup
23	F430231	Nut	
24	F431125	Washer	
25	F370534-00P	WE-6 Computer	
26	F340412	Momentary Switch	Models through 5/26/04
	F200120100	Momentary Switch	Models starting 5/27/04
27	F431123	Washer	
28	F431108	Washer	
29	F8136401	Screw	
30	N/A	Emergency Stop Pushbutton	800E-series; Order F200233700P Emergency Stop Button Kit
	F200233500	Emergency Stop Pushbutton	800F-series; Models starting 10/1/07
31	F230724P	Keypad Decal	
32	F231562	Control Module Decal	
33	F340445	Contact Block Switch	800E-series; Includes F200299500 Contact Block Switch
	F200299500	Contact Block Switch	800E-series
	F200233700P	Emergency Stop Button Kit	Used to convert from 800E-series to 800F-series; Includes F200233401 Contact Block Switch and F200233500 Emergency Stop Pushbutton
	F200233401	Contact Block Switch	800F-series; Models starting 10/1/07

N/A = Part no longer available

# Control Module - Models UW60P2 and UW60P3 (Drawing 2 of 4)

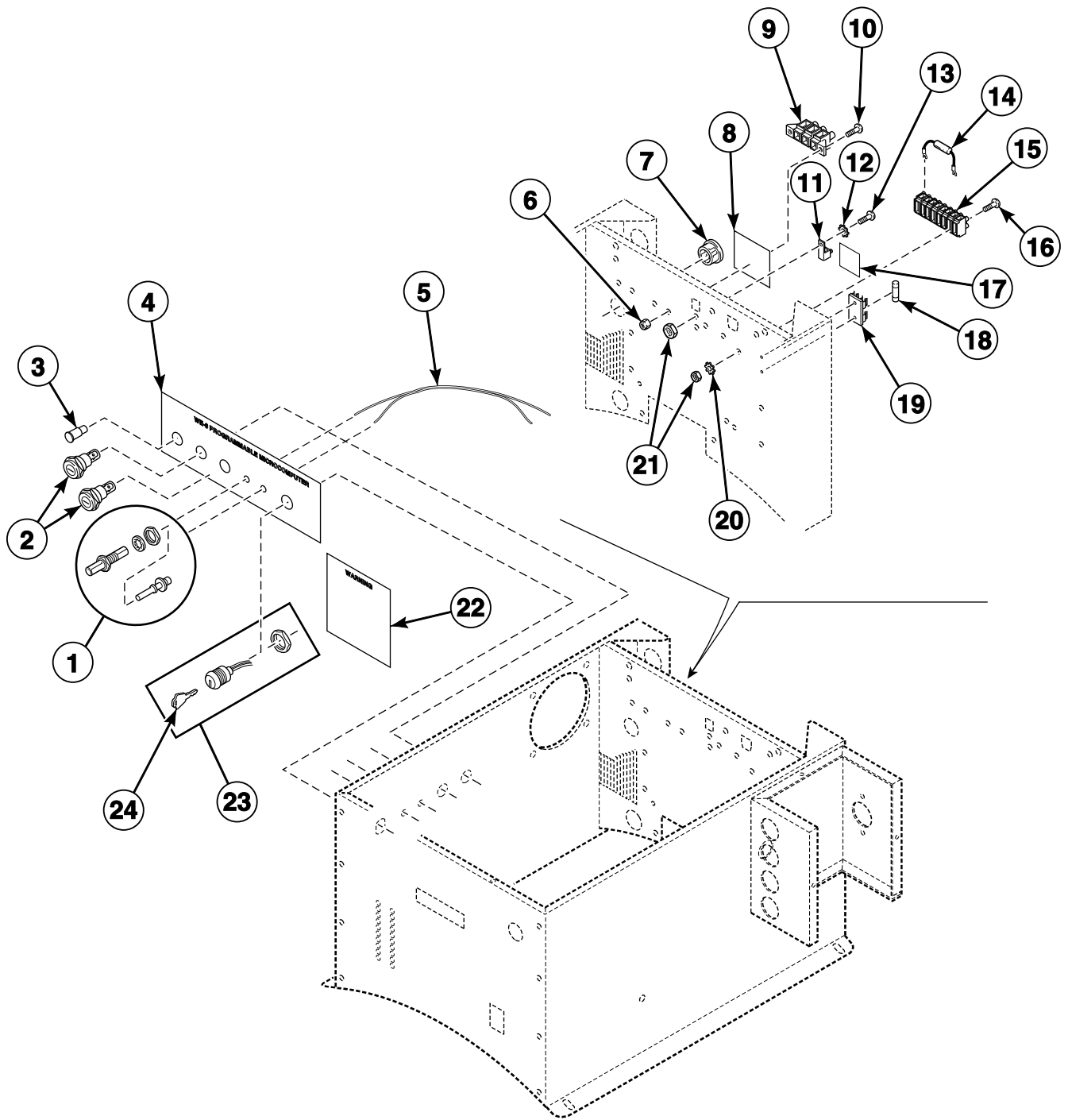


PHM2650P\_F232166

## Control Module - Models UW60P2 and UW60P3 (Drawing 2 of 4)

REF	PART NO.	DESCRIPTION	COMMENTS
1	F180506	Standoff	
2	F140219P	Ribbon Cable	26-pin; 15 inch; Connects computer to output cca
3	F8321901P	Output CCA	
4	F330177P	Contacto	
5	F330186P	Interlock Contacto	
6	F350110	Fuse	1 Amp; Slo blo
	F350109	Fuse	1/2 Amp; Fast blo
	F350108	Fuse	1/8 Amp; Slo blo
7	F602595-5	DIN Contacto Mounting Rail	
8	F430928	Screw	
9	F330230	Flange Relay	220 Volt
10	F430903	Screw	
11	F8303001P	Circuit Breaker	F-voltage
12	F430231	Nut	
13	F430910	Screw	
14	F220900	Filter Retainer Guard	
15	F300206	Buzzer	220 Volt

# Control Module - Models UW60P2 and UW60P3 (Drawing 3 of 4)

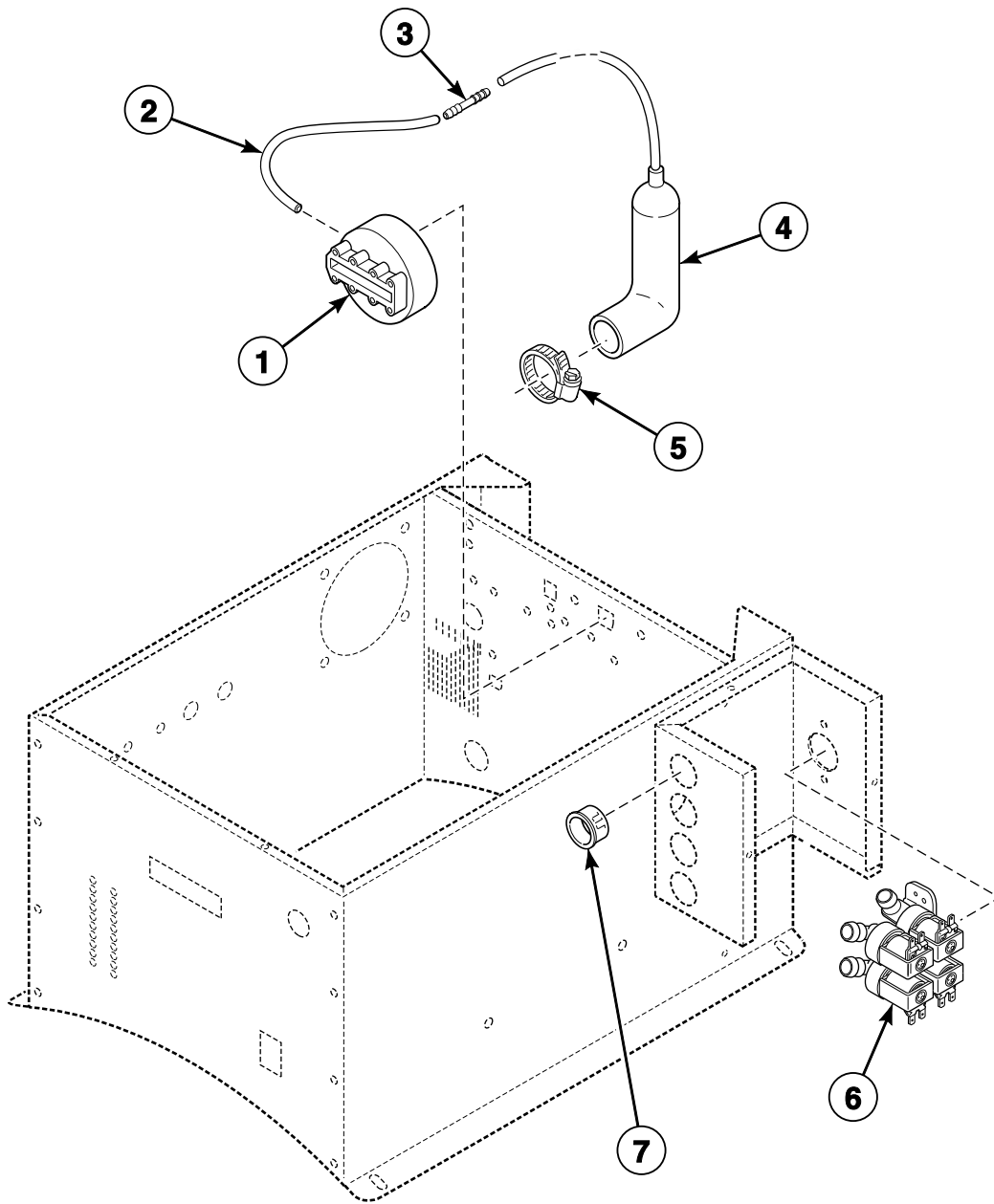


PHM2548P\_F232166

## Control Module - Models UW60P2 and UW60P3 (Drawing 3 of 4)

REF	PART NO.	DESCRIPTION	COMMENTS
1	F140575P	Connector	Gray
	F140576P	Connector	Blue
2	F350218	Circuit Breaker	1 Amp; Models through 5/11/03
	F0350313-00P	Fuse Holder	Models starting 5/12/03
	F350142	Fuse	2 Amp; Slo blo; Models starting 5/12/03
3	F350404	Signal Light	Red; 220 Volt
4	F231581	Switch Mode Decal	Models through 5/11/03
	F0231632-01	Switch Mode Decal	Models starting 5/12/03
5	F604713	Cable Assembly	
6	F431022	Nut	
7	F140909	Insulator Bushing	
8	F0231636-00	Input Block Decal	
9	F140794-1	Input Power Block	
10	F430938	Screw	
11	F140734	Ground Terminal Lug	
12	F431106	Washer	
13	F430903	Screw	
14	F370116	Resistor	12k, 5w
15	F140776	Terminal Block	8 place
16	F430910	Screw	
17	F230630	Ground Decal	
18	F350115	Fuse	3 Amp; Fast blo
19	F0350312-10	Fuse Holder	
20	F431108	Washer	
21	F431000	Nut	
22	F231065	Personal Injury Warning Decal	
23	F340800P	Keymode Run/Program Switch	Includes item 24
24	F370709	Program Key	A153

# Control Module - Models UW60P2 and UW60P3 (Drawing 4 of 4)

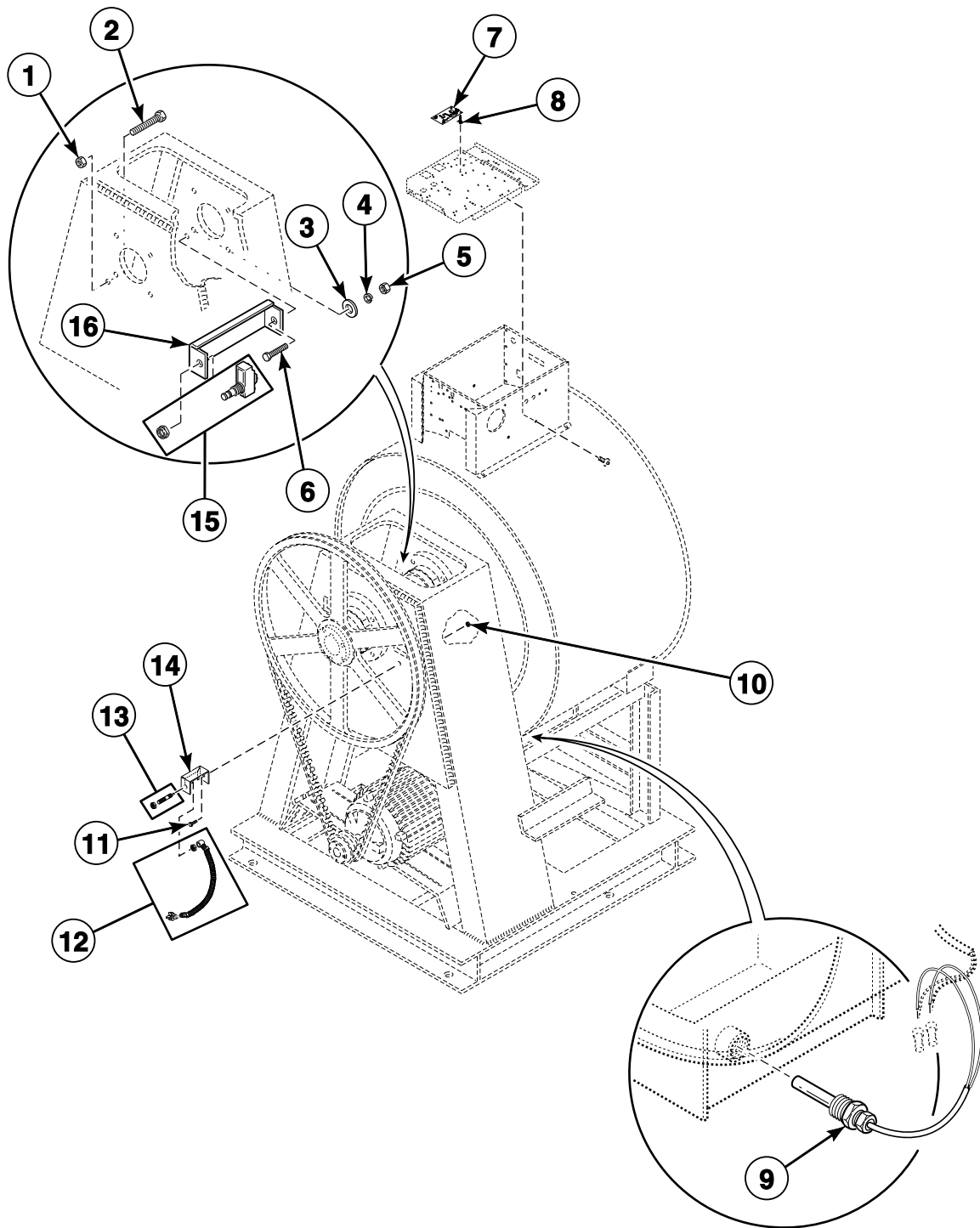


PHM2061P\_F232166

## Control Module - Models UW60P2 and UW60P3 (Drawing 4 of 4)

REF	PART NO.	DESCRIPTION	COMMENTS
1	F0340347-10P	Water Level Switch	
2	F422404P	Tubing	
3	F422500	Connector	
4	F020014200	Air Trap Hose	
5	F200215	Hose Clamp	No. 28
6	F381723P	4-Way Valve	220 Volt
	G582P3	Diaphragm and Guide Kit	220 Volt
7	F140938	Snap Bushing	

# Balance Switch, Temperature Probe and Rotation Sensor



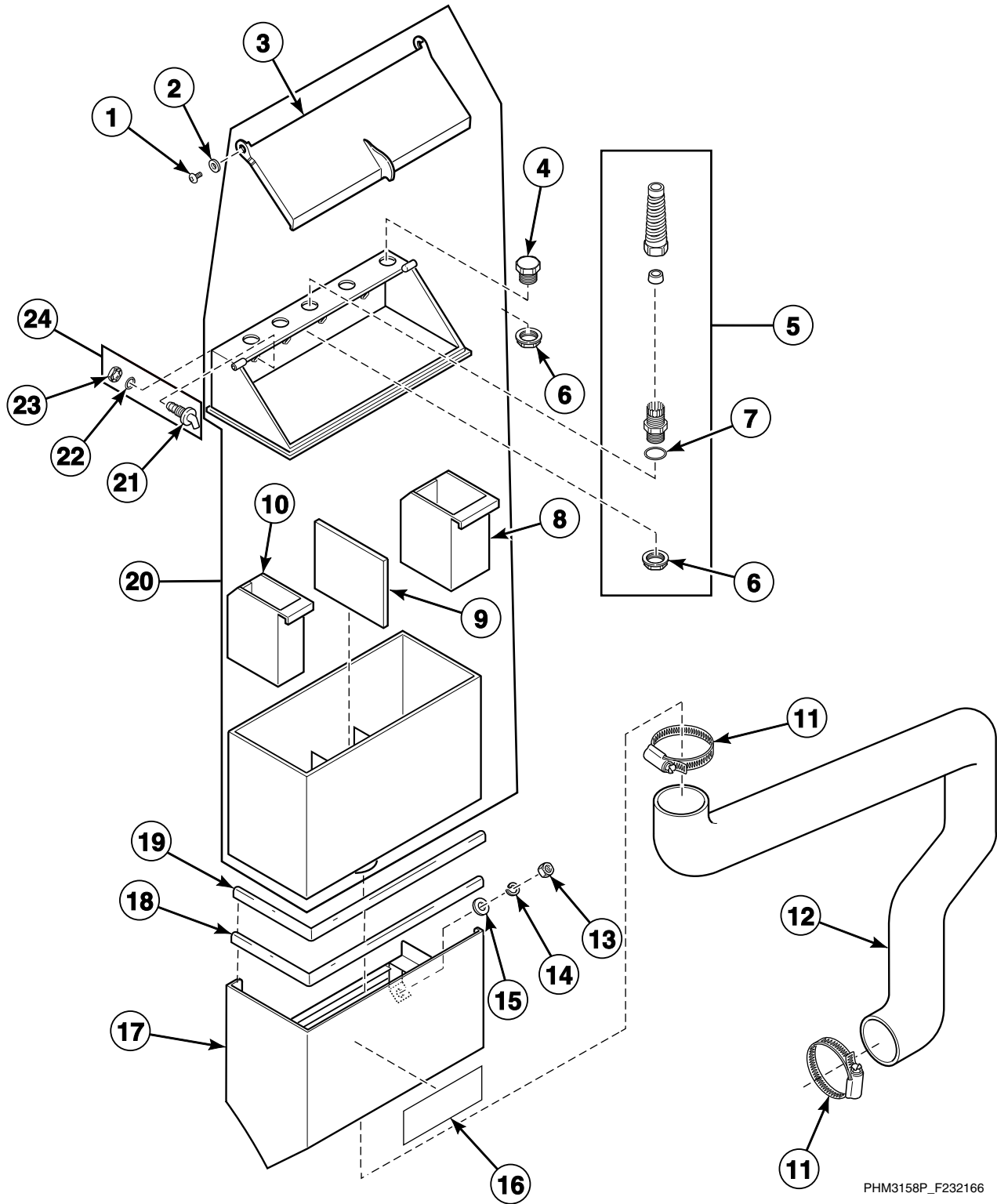
PHM2499P\_F232166



## Balance Switch, Temperature Probe and Rotation Sensor

REF	PART NO.	DESCRIPTION	COMMENTS
1	H88412101	Nut	Models UW60P2 and UW60P3; Models through 10/14/07
	44087301	Nut	Models UW60P2 and UW60P3; Models starting 10/15/07
2	F0430539-00	Bolt	Models UW60P2 and UW60P3; Models through 10/14/07
	F8111101	Screw	Models UW60P2 and UW60P3; Models starting 10/15/07
3	M400081	Washer	Models UW60P2 and UW60P3
4	M400014	Washer	Models UW60P2 and UW60P3
5	20274	Nut	Models UW60P2 and UW60P3; Models through 10/14/07
	44087301	Nut	Models UW60P2 and UW60P3; Models starting 10/15/07
6	800461	Screw	Models UW60P2 and UW60P3; Models through 10/14/07
	F8122701	Screw	Models UW60P2 and UW60P3; Models starting 10/15/07
7	F200101300P	Rotation Sensor PCB	Models UW60P2 and UW60P3
8	F180501	Standoff	Models UW60P2 and UW60P3
9	F370606P	Temperature Probe	
10	F430218	Nut	Models UW60P2 and UW60P3
11	F430927	Screw	Models UW60P2 and UW60P3
12	F8066401	Rotation Sensor Harness	Models UW60P2 and UW60P3
13	F200126200P	Rotation Sensor Assembly	Models UW60P2 and UW60P3
	F079900800	Rotation Sensor Retrofit Kit	Includes items 7, 8, 10-12 and 14; Models UW60P2 and UW60P3
14	F200122502	Rotation Sensor Bracket	Models UW60P2 and UW60P3
15	F340900	Interlock Switch	Models UW60P2 and UW60P3
16	F601750	Balance Switch Bracket	Models UW60P2 and UW60P3; Models through 10/14/07
	F8124301	Balance Switch Bracket	Models UW60P2 and UW60P3; Models starting 10/15/07

# Supply Dispenser

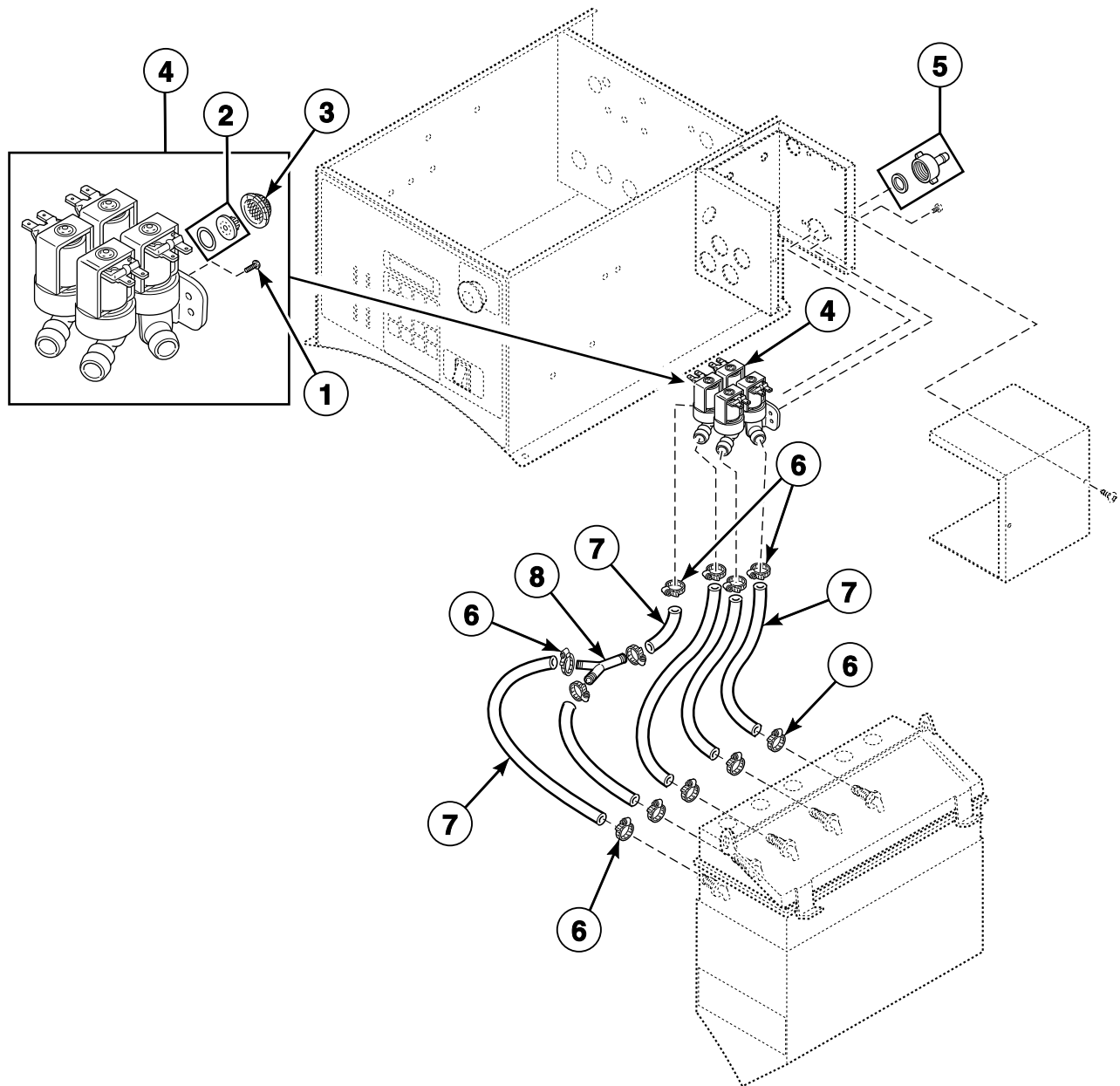


PHM3158P\_F232166

# Supply Dispenser

REF	PART NO.	DESCRIPTION	COMMENTS
1	F430917	Screw	
2	F8195301	Washer	
3	F0150514-00	Dispenser Lid	
4	F190304	Plug Cap	
5	F749802	Strain Relief Adapter Kit	Includes items 6 and 7
6	F140340P	Strain Relief Connector	
7	F170215	O-Ring	
8	F150386	Chemical Supply Cup	32 ounce; 2 used
9	F0150525-00	Supply Dispenser Spacer	
10	F150385	Chemical Supply Cup	20 ounce; 3 used
11	F200213	Hose Clamp	No. 40
12	F150469	Chemical Supply Hose	
13	F431005	Nut	
14	F431100	Washer	
15	F431147	Washer	
16	F231436	Supply Dispenser Hazard Caution Decal	
17	F8024301	Soap Dispenser Shroud Weldment	
18	F170158P	Gasket	
19	F170400RP	Trim	
20	F0150512-00P	Dispenser Assembly	Includes items 3 and 8-10
21	F8322001	Injection Nozzle	
22	F170208	O-Ring	
23	802292	Nut	
24	F730168	Injection Nozzle Kit	Includes items 21-23

# Water Supply Valve and Hoses to Supply Dispenser



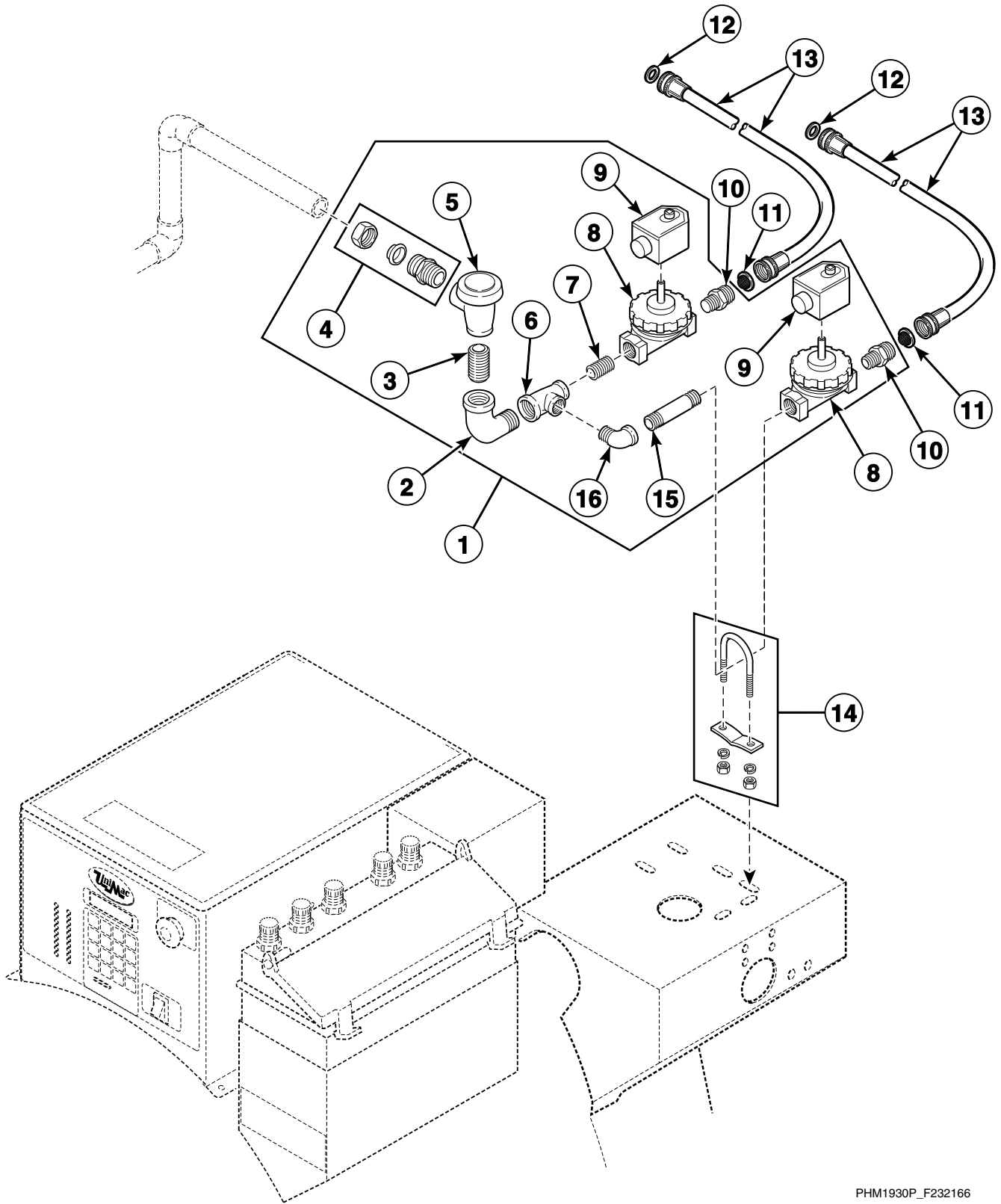
PHM2618P\_F232166

## Water Supply Valve and Hoses to Supply Dispenser

REF	PART NO.	DESCRIPTION	COMMENTS
1	F430948	Screw	
2	N/A	Flow Restrictor	
3	F270200	Strainer	
4	F381724P	4-Way Valve	120 Volt
	F381723P	4-Way Valve	220 Volt
	G582P3	Diaphragm and Guide Kit	
5	F200302	Hose Connector	
6	36801	Hose Clamp	No. 6
7	F200110P	Water Hose	
8	F422816	Y Connector	

**N/A = Part no longer available**

# Spray Plumbing - Design 5 UW60P2 and UW60P3 Models

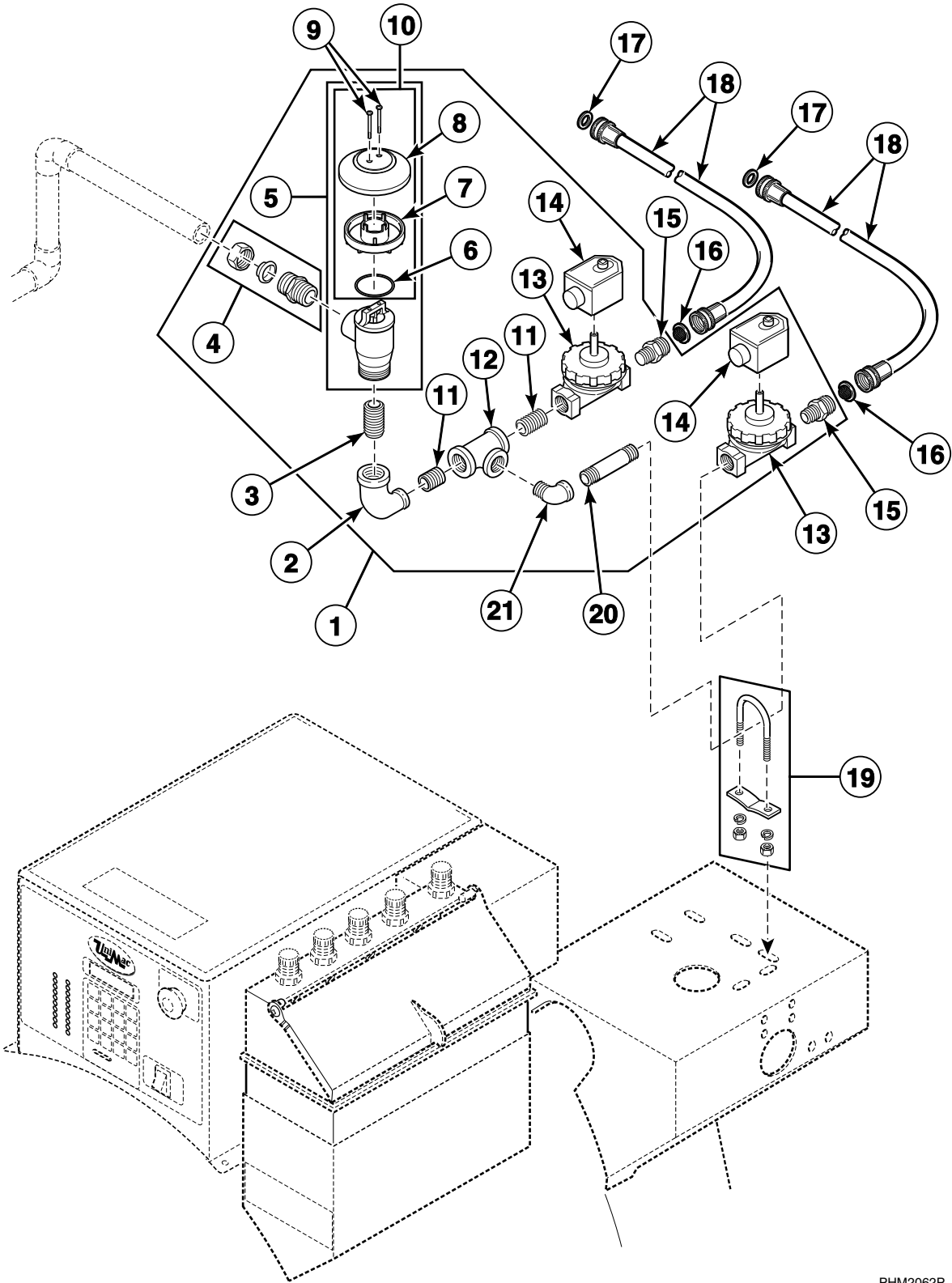


PHM1930P\_F232166

## Spray Plumbing - Design 5 UW60P2 and UW60P3 Models

REF	PART NO.	DESCRIPTION	COMMENTS
1	F633150-1	Spray Plumbing Assembly	220 Volt; Standard thread; Includes items 2-10, 15 and 16
	F633150-5	Spray Plumbing Assembly	220 Volt; Metric thread; Includes items 2-10, 15 and 16
2	F420502	Street Elbow	
3	F420105	Nipple	
4	F422106	Tube Connector	
5	F380800P	Vacuum Breaker Valve	3/4 inch; F380965 Repair Kit
6	F420401	Tee	
7	F420101	Nipple	
8	F381703P	Valve	220 Volt; With DIN; 1/2 inch; F380993 Valve Repair Kit
	F141901P	DIN Harness Assembly	
9	F380987P	DIN Coil	220 Volt
10	F421908	Hose Adapter	Standard thread
	F421949	Nipple	Metric thread
11	803615	Washer	
12	20290	Washer	
13	F200164	Water Hose	Standard thread
	F200166	Water Hose	Metric thread
14	F200401P	U-Bolt Clamp	Includes hardware
15	F420103	Nipple	
16	F420500	Street Elbow	

# Spray Plumbing - Design 7 and 8 UW60P2 and UW60P3 Models



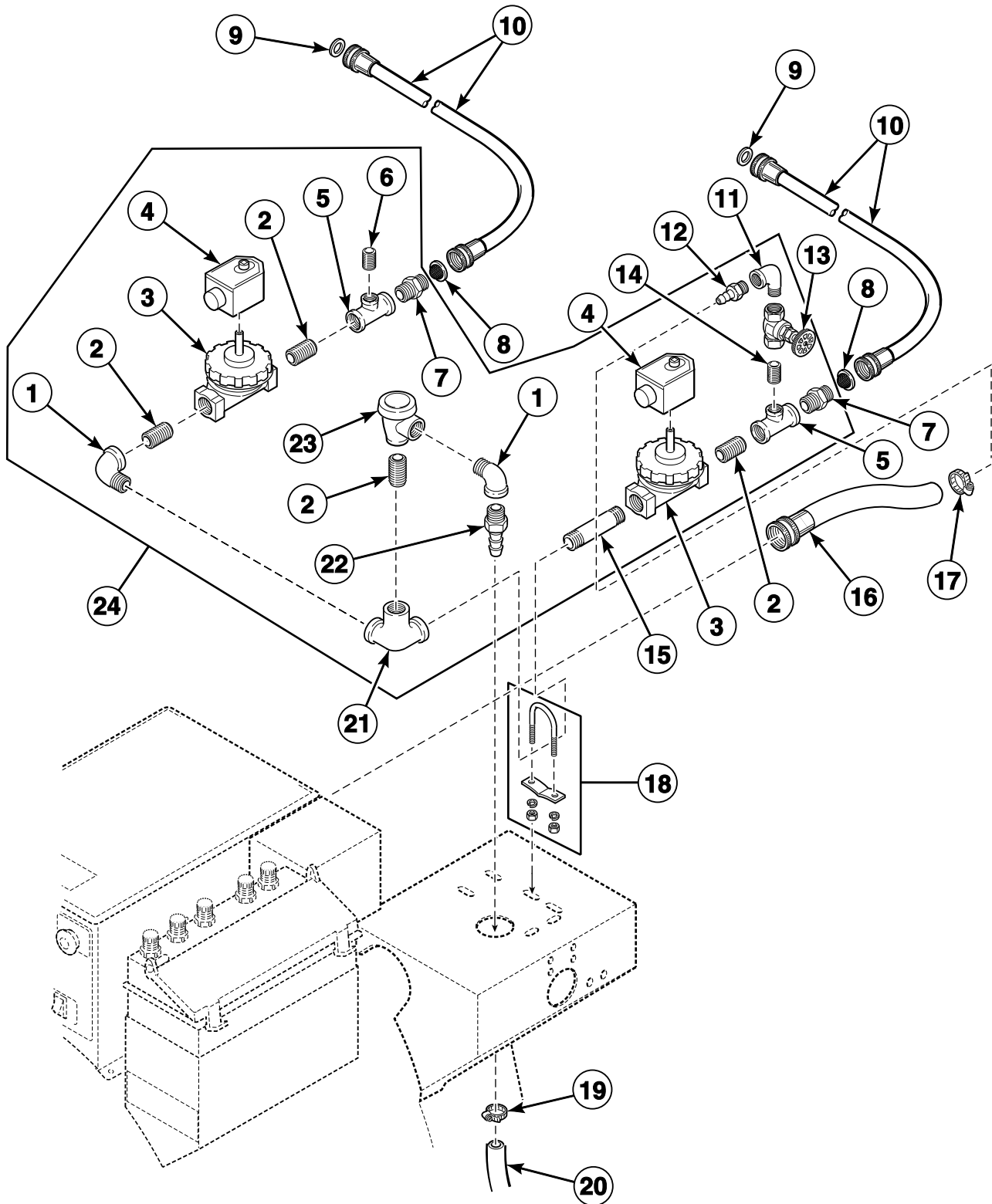
PHM2062P\_F232166



## Spray Plumbing - Design 7 and 8 UW60P2 and UW60P3 Models

REF	PART NO.	DESCRIPTION	COMMENTS
1	F0637633-01	Spray Plumbing Assembly	220 Volt; Standard thread; Includes items 2-5, 11-16, 20 and 21
	F0637633-03	Spray Plumbing Assembly	220 Volt; Metric thread; Includes items 2-5, 11-16, 20 and 21
2	F0422918-00	Elbow	
3	F420105	Nipple	
4	F422106	Tube Connector	
5	F063754701P	Vacuum Breaker Valve	3/4 inch; Includes item 10; F380965 Repair Kit
6	F0170221-00	O-Ring	
7	F0380809-00	Containment Device	
8	F0380808-00	Vacuum Breaker Cap	
9	F430938	Screw	
10	F0798922-00	Vacuum Breaker Kit	Includes items 6-9 and installation instructions
11	F420101	Nipple	
12	F420400	Tee	
13	F381703P	Valve	220 Volt; 1/2 inch; F380993 Valve Repair Kit
	F141901P	DIN Harness Assembly	
14	F380987P	DIN Coil	220 Volt
15	F421908	Hose Adapter	Standard thread
	F421949	Nipple	Metric thread
16	803615	Washer	
17	20290	Washer	
18	F200164	Water Hose	Standard thread
	F200166	Water Hose	Metric thread
19	F200401P	U-Bolt Clamp	Includes hardware
20	F420103	Nipple	
21	F420500	Street Elbow	

# Fill Plumbing - Design 5 UW60P2 and UW60P3 Models Through 2/29/02

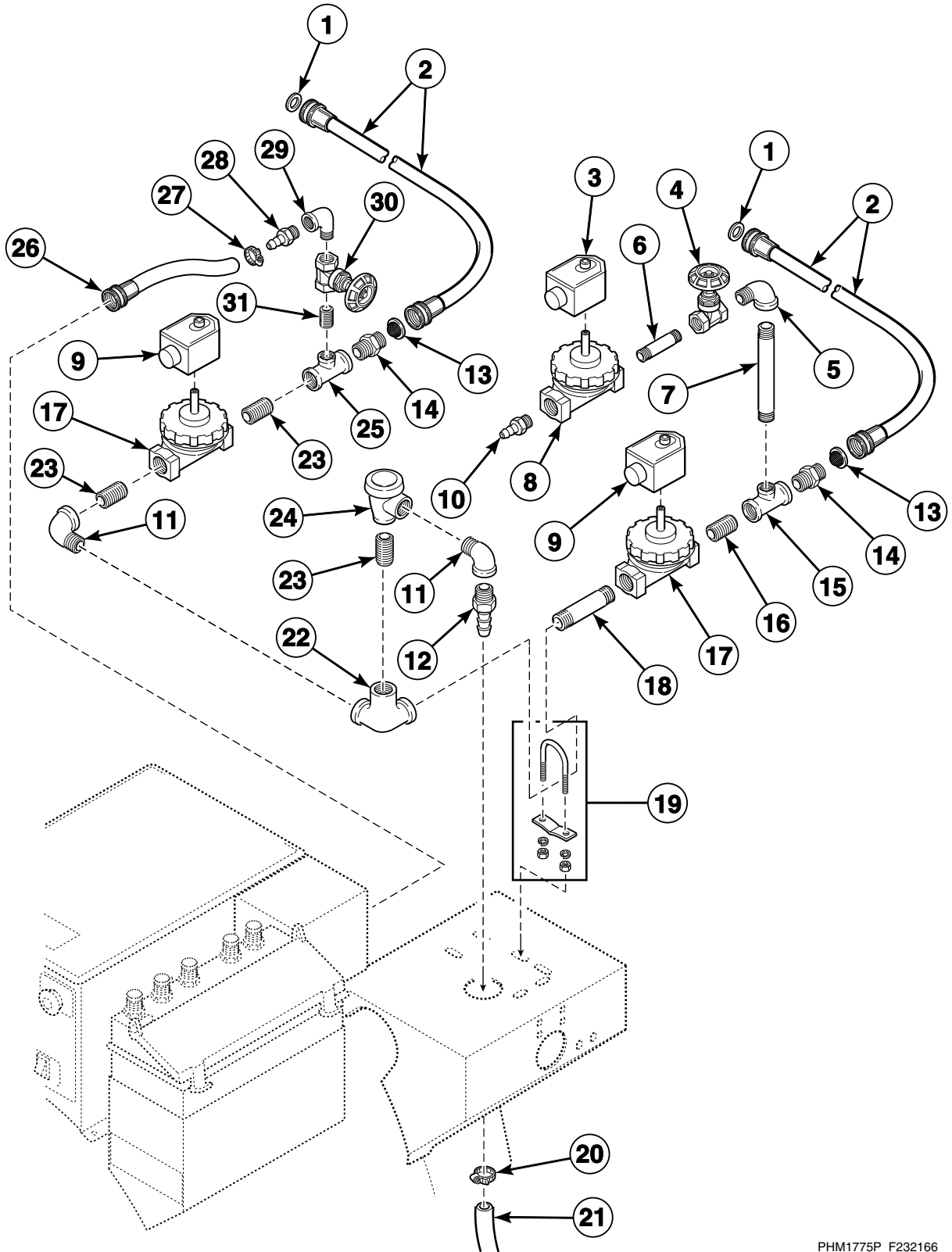


PHM1931P\_F232166

## Fill Plumbing - Design 5 UW60P2 and UW60P3 Models Through 2/29/02

REF	PART NO.	DESCRIPTION	COMMENTS
1	F420502	Street Elbow	
2	F420105	Nipple	
3	F381701P	Valve	220 Volt; With DIN; 3/4 inch; F380991 Valve Repair Kit
	F141901P	DIN Harness Assembly	
4	F380987P	DIN Coil	220 Volt
5	F420400	Tee	
6	F420408	Plug	
7	F421909	Hose Adapter	Standard thread
	F8265701	Adapter	Metric thread
8	803615	Washer	
9	20290	Washer	
10	F200164	Water Hose	Standard thread
	F200166	Water Hose	Metric thread
11	F420500	Street Elbow	
12	F421951	Hose Barb	
13	F380500	Gate Valve	
14	F420101	Nipple	
15	F420103	Nipple	
16	F200509	Water Hose	
17	F200206	Hose Clamp	No. 4
18	F200401P	U-Bolt Clamp	
19	F200222	Hose Clamp	No. 12
20	F200104P	Hose	
21	F420509	Elbow	
22	F421964	Hose Barb	
23	F380800P	Vacuum Breaker Valve	3/4 inch; F380965 Repair Kit
24	F633146-1	Fill Plumbing Assembly	Standard thread; Includes items 1-7, 11-15 and 21-23
	F633419-1	Fill Plumbing Assembly	Standard thread; Starch; Includes items 1-7, 11-15 and 21-23
	F633146-5	Fill Plumbing Assembly	Metric thread; Includes items 1-7, 11-15 and 21-23
	F633419-5	Fill Plumbing Assembly	Metric thread; Starch; Includes items 1-7, 11-15 and 21-23

# Fill Plumbing - Design 5 UW60P2 and UW60P3 Models Starting 3/1/02



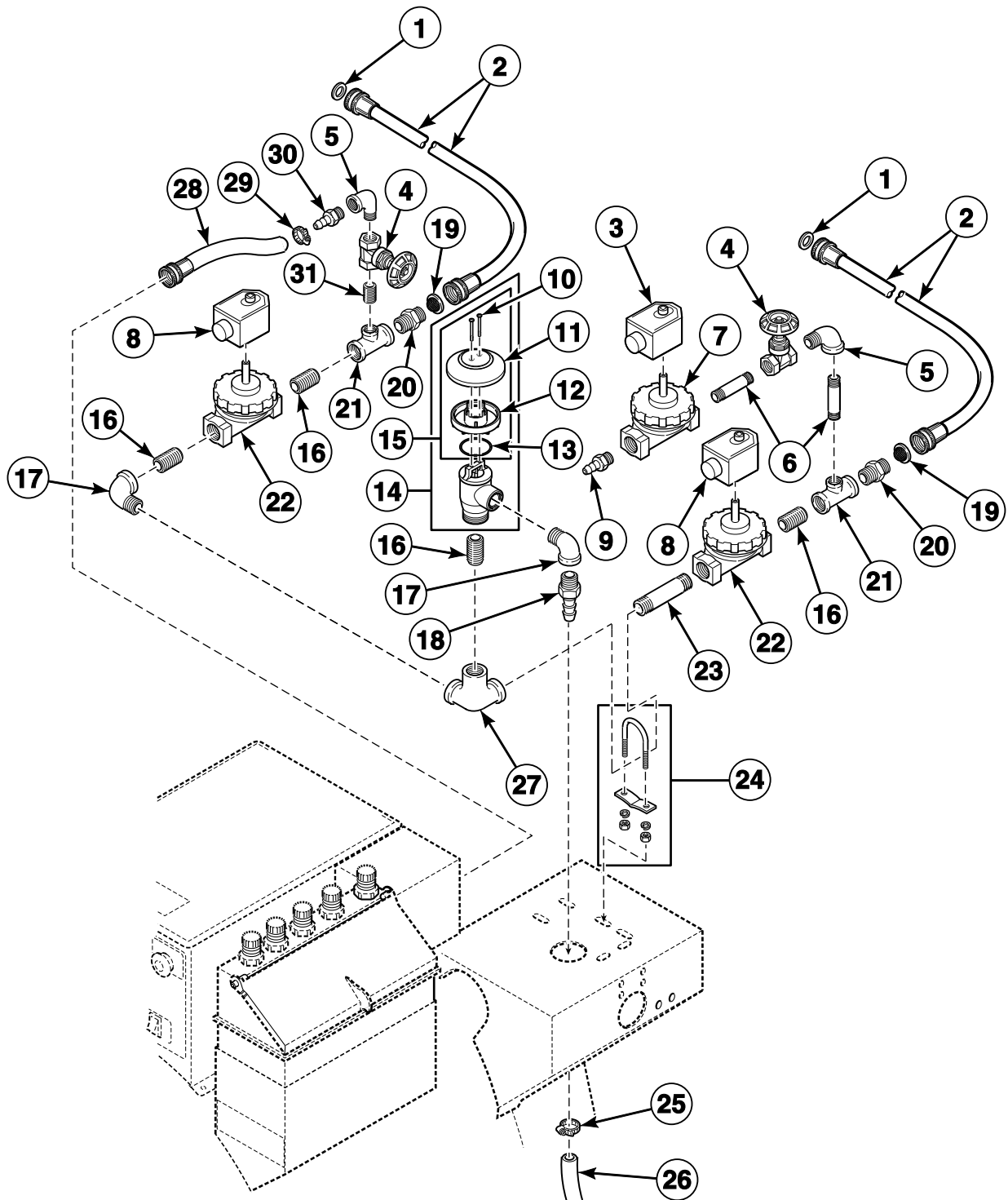
PHM1775P\_F232166

## Fill Plumbing - Design 5 UW60P2 and UW60P3 Models Starting 3/1/02

REF	PART NO.	DESCRIPTION	COMMENTS
	F633146-1	Fill Plumbing Assembly	220 Volt; Standard thread; Includes items 9, 11, 12, 14, 17, 18, 22-25 and 28-31
	F633146-5	Fill Plumbing Assembly	220 Volt; Metric thread; Includes items 9, 11, 12, 14, 17, 18, 22-25 and 28-31
	F633419-1	Fill Plumbing Assembly	220 Volt; Standard thread; Starch; Includes items 3-12, 14-18, 22-25 and 28-31
	F633419-5	Fill Plumbing Assembly	220 Volt; Metric thread; Starch; Includes items 3-12, 14-18, 22-25 and 28-31
<b>1</b>	20290	Washer	
<b>2</b>	F200164	Water Hose	Standard thread
	F200166	Water Hose	Metric thread
<b>3</b>	F380987P	DIN Coil	220 Volt; Starch models
<b>4</b>	F380500	Gate Valve	Starch models
<b>5</b>	F420500	Street Elbow	Starch models
<b>6</b>	F420103	Nipple	Starch models
<b>7</b>	N/A	Nipple	Starch models
<b>8</b>	F381703P	Valve	220 Volt; Starch models; 1/2 inch
	F141901P	DIN Harness Assembly	
	F380993P	Valve Repair Kit	Starch models; 1/2 inch
<b>9</b>	F380987P	DIN Coil	220 Volt
<b>10</b>	F421964	Hose Barb	Starch models
<b>11</b>	F420502	Street Elbow	
<b>12</b>	F421951	Hose Barb	
<b>13</b>	803615	Washer	
<b>14</b>	F421909	Hose Adapter	Standard thread
	F8265701	Adapter	Metric thread
<b>15</b>	F420402	Tee	Starch models
<b>16</b>	F420105	Nipple	Starch models
<b>17</b>	F381701P	Valve	220 Volt; 3/4 inch
	F141901P	DIN Harness Assembly	
	F380991P	Water Valve Repair Kit	3/4 inch
<b>18</b>	F420107	Nipple	
<b>19</b>	F200401P	U-Bolt Clamp	
<b>20</b>	F200222	Hose Clamp	No. 12
<b>21</b>	F200104P	Hose	
<b>22</b>	F420509	Elbow	
<b>23</b>	F420105	Nipple	
<b>24</b>	F380800P	Vacuum Breaker Valve	3/4 inch
	F380965P	Repair Kit	3/4 inch
<b>25</b>	F420402	Tee	
<b>26</b>	F200509	Water Hose	
<b>27</b>	F200206	Hose Clamp	No. 4
<b>28</b>	F421964	Hose Barb	
<b>29</b>	F420500	Street Elbow	
<b>30</b>	F380500	Gate Valve	
<b>31</b>	F420101	Nipple	

N/A = Part no longer available

# Fill Plumbing - Design 7 and 8 UW60P2 and UW60P3 Models



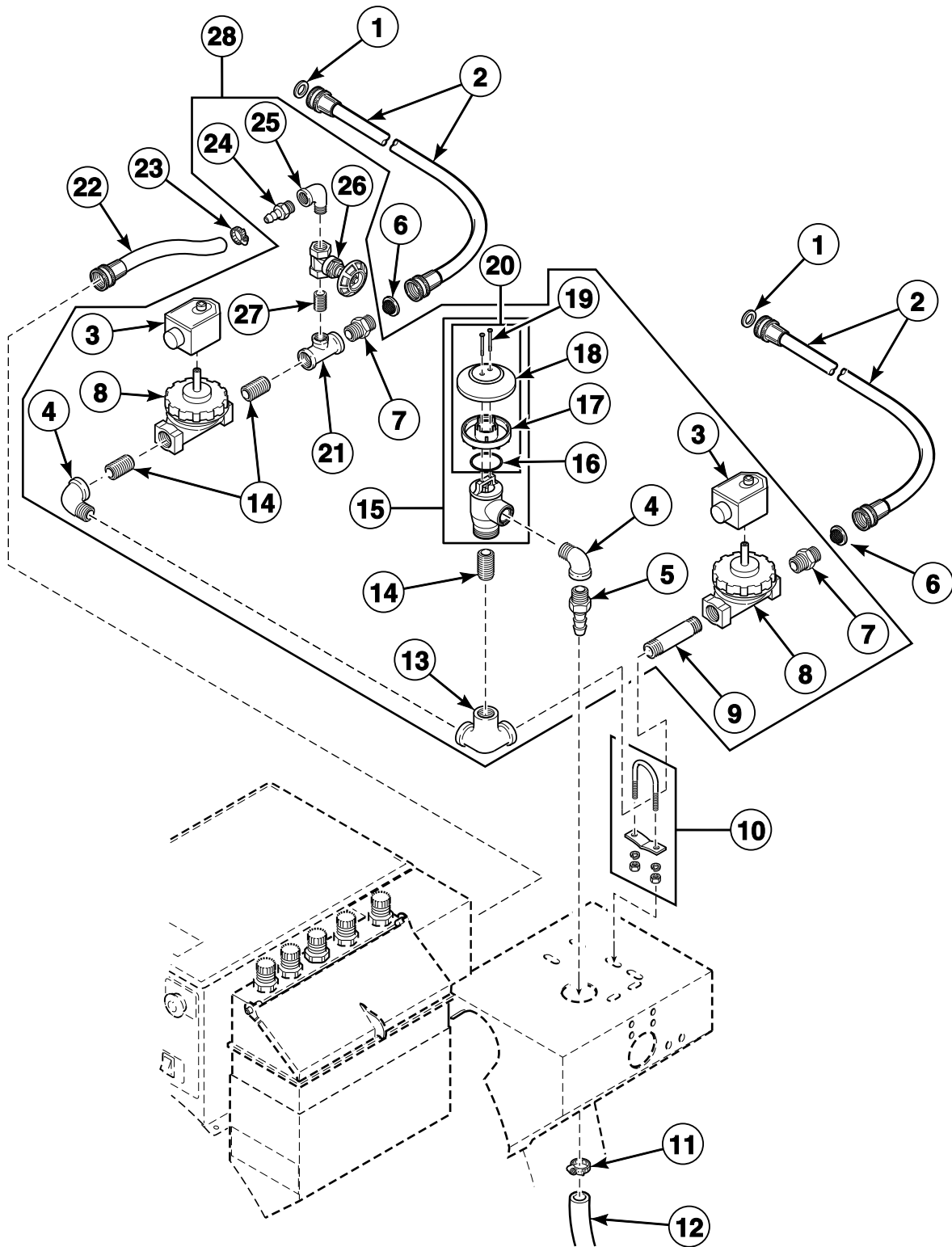
PHM2069P\_F232166

# Fill Plumbing - Design 7 and 8 UW60P2 and UW60P3 Models

REF	PART NO.	DESCRIPTION	COMMENTS
	F0637637-01	Fill Plumbing Assembly	220 Volt; Standard thread; Includes items 8, 10-18, 20-23 and 27-31
	N/A	Fill Plumbing Assembly	220 Volt; Metric thread; Includes items 8, 10-18, 20-23 and 27-31
	N/A	Fill Plumbing Assembly	220 Volt; Standard thread; Starch; Includes items 3-18, 20-23 and 27-31
	N/A	Fill Plumbing Assembly	220 Volt; Metric thread; Starch; Includes items 3-18, 20-23 and 27-31
<b>1</b>	20290	Washer	
<b>2</b>	F200164	Water Hose	Standard thread
	F200166	Water Hose	Metric thread
<b>3</b>	F380987P	DIN Coil	220 Volt; Starch models
<b>4</b>	F380500	Gate Valve	Starch models
<b>5</b>	F420500	Street Elbow	Starch models
<b>6</b>	F420103	Nipple	Starch models
<b>7</b>	F381703P	Valve	220 Volt; Starch models; 1/2 inch
	F141901P	DIN Harness Assembly	
	F380990P	Valve Repair Kit	Starch models; 1/2 inch
<b>8</b>	F380987P	DIN Coil	220 Volt
<b>9</b>	F421964	Hose Barb	Starch models
<b>10</b>	F430938	Screw	
<b>11</b>	F0380808-00	Vacuum Breaker Cap	
<b>12</b>	F0380809-00	Containment Device	
<b>13</b>	F0170221-00	O-Ring	
<b>14</b>	F063754701P	Vacuum Breaker Valve	3/4 inch; Includes items 10-13; F380965 Repair Kit
<b>15</b>	F0798922-00	Vacuum Breaker Kit	Includes items 10-13 and installation instructions
<b>16</b>	F420105	Nipple	
<b>17</b>	F420502	Street Elbow	
<b>18</b>	F421951	Hose Barb	
<b>19</b>	803615	Washer	
<b>20</b>	F421909	Hose Adapter	Standard thread
	F8265701	Adapter	Metric thread
<b>21</b>	F420402	Tee	
<b>22</b>	F381701P	Valve	220 Volt; 3/4 inch
	F141901P	DIN Harness Assembly	
	F380988	Valve Repair Kit	3/4 inch
<b>23</b>	F420107	Nipple	
<b>24</b>	F200401P	U-Bolt Clamp	
<b>25</b>	F200222	Hose Clamp	No. 12
<b>26</b>	F200104P	Hose	
<b>27</b>	F420509	Elbow	
<b>28</b>	F200509	Water Hose	
<b>29</b>	F200206	Hose Clamp	No. 4
<b>30</b>	F421964	Hose Barb	
<b>31</b>	F420101	Nipple	

**N/A = Part no longer available**

# Fill Plumbing - Model UW60B2



PHM2045P\_F232166

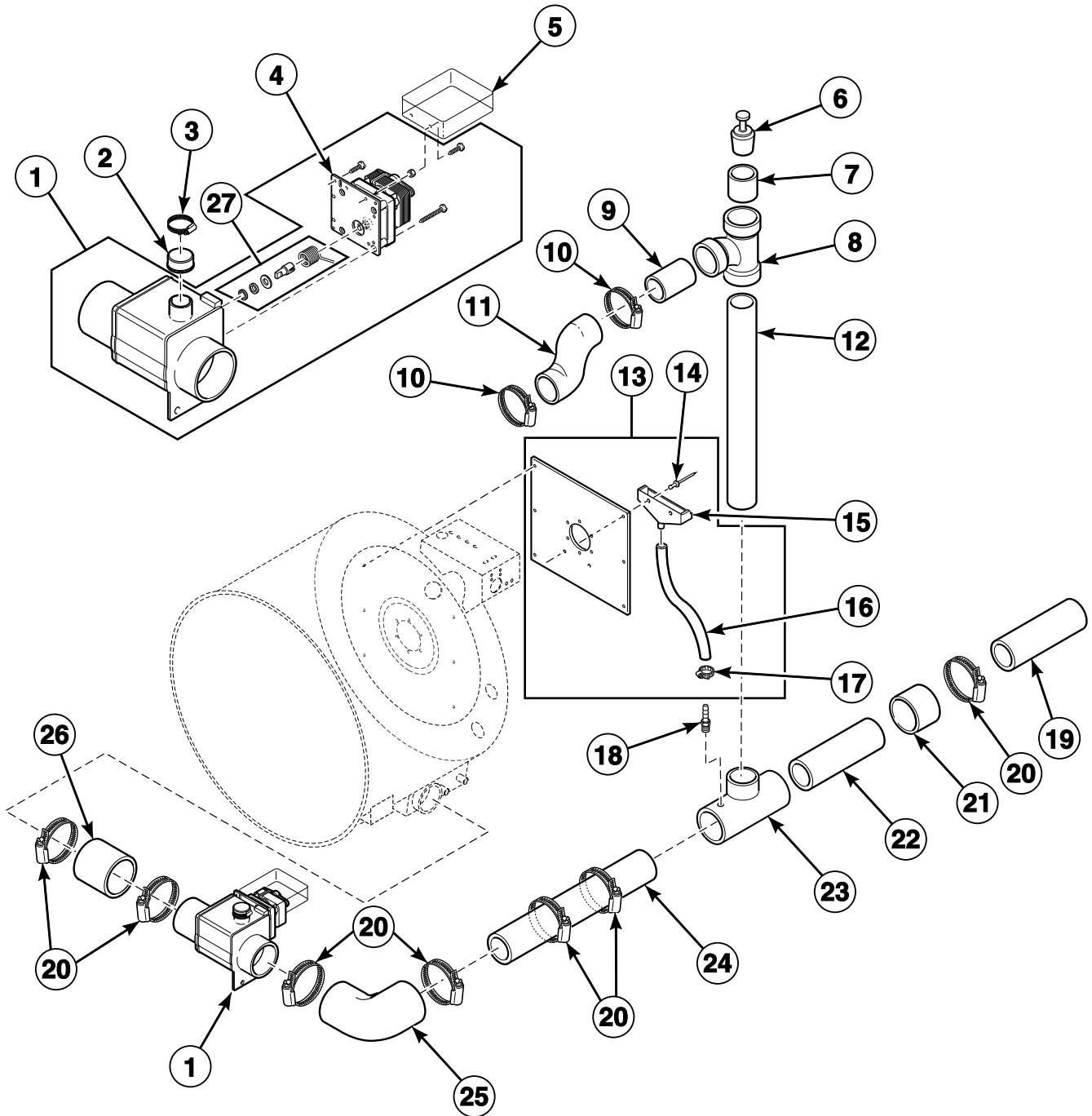


## Fill Plumbing - Model UW60B2

REF	PART NO.	DESCRIPTION	COMMENTS
1	20290	Washer	
2	F200164	Water Hose	Standard thread
	F200166	Water Hose	Metric thread
3	F380987P	DIN Coil	220 Volt; F141901P DIN Harness
4	F420502	Street Elbow	
5	F421951	Hose Barb	
6	803615	Washer	
7	F421909	Hose Adapter	Standard thread
	F8265701	Adapter	Metric thread
8	F381701P	Valve	220 Volt; 3/4 inch
	F380991P	Water Valve Repair Kit	3/4 inch
9	F420107	Nipple	
10	F200401P	U-Bolt Clamp	
11	F200222	Hose Clamp	No. 12
12	F200104P	Hose	
13	F420509	Elbow	
14	F420105	Nipple	
15	F063754701P	Vacuum Breaker Valve	3/4 inch; Includes item 20; F380965 Repair Kit
16	F0170221-00	O-Ring	
17	F0380809-00	Containment Device	
18	F0380808-00	Vacuum Breaker Cap	
19	F430938	Screw	
20	F0798922-00	Vacuum Breaker Kit	Includes items 16-19
21	F420402	Tee	
22	F200509	Water Hose	
23	F200206	Hose Clamp	No. 4
24	F421964	Hose Barb	
25	F420500	Street Elbow	
26	F380500	Gate Valve	
27	F420101	Nipple	
28	F0637637-01	Fill Plumbing Assembly	220 Volt; Standard thread; Includes items 3-5, 7-9, 13-19, 21 and 24-27
	N/A	Fill Plumbing Assembly	220 Volt; Metric thread; Includes items 3-5, 7-9, 13-19, 21 and 24-27

**N/A = Part no longer available**

# Drain System, Overflow and Vent Pipes

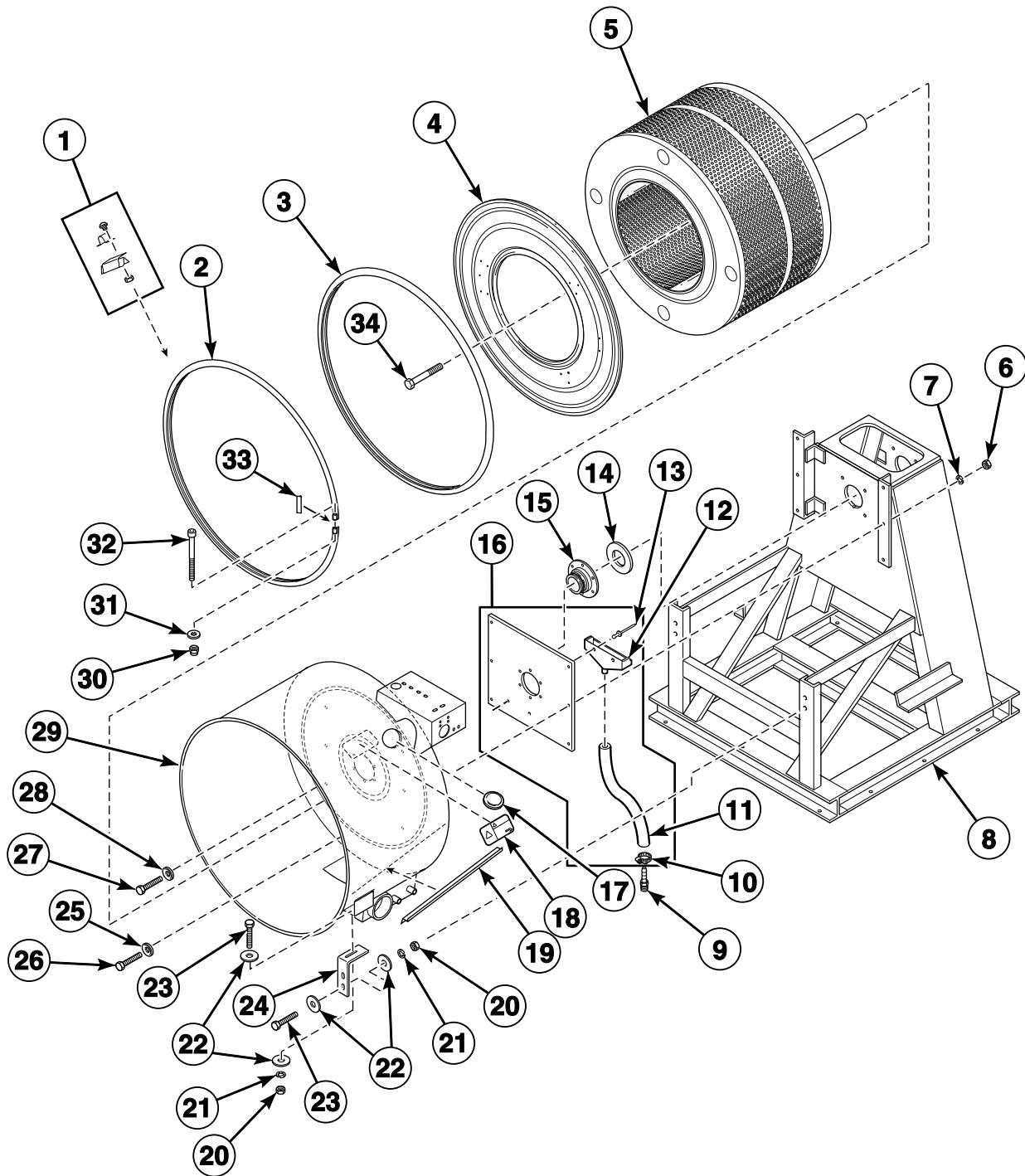


PHM2630P\_F232166

## Drain System, Overflow and Vent Pipes

REF	PART NO.	DESCRIPTION	COMMENTS
1	F200166402	Drain Valve Kit	Includes item 5
2	F150352	Overflow Plug	Model UW60B2
3	F200215	Hose Clamp	Model UW60B2; No. 28
4	F380933P	Drain Valve Motor	Model UW60B2; 220 Volt
5	F200133600	Drain Valve Cover	
6	F380117	Vacuum Breaker	
7	F422508	Adapter	
8	F422801	Tee	
9	F0602364-10	Pipe	
10	F200213	Hose Clamp	No. 40
11	F150309	Soap Dispenser Hose	
12	F0602364-25	Pipe	
13	F8084201	Shell Reinforcement Plate Assembly	Includes item 15
14	F431210	Pop Rivet	
15	F150389	Scupper	
16	F200107P	Water Hose	
17	36801	Hose Clamp	No. 6
18	F421929	Hose Barb	
19	F200165100	Drain Hose	
20	F200201	Hose Clamp	No. 56
21	F422602	Reducer Bushing	
22	F0602365-01	Pipe	
23	F422803	Tee	
24	F0602365-22	Pipe	
25	F150438	Drain Hose	Rear
26	F150442	Drain Hose	Front
27	F380918	Main Drive Kit	

# Basket, Shell and Frame



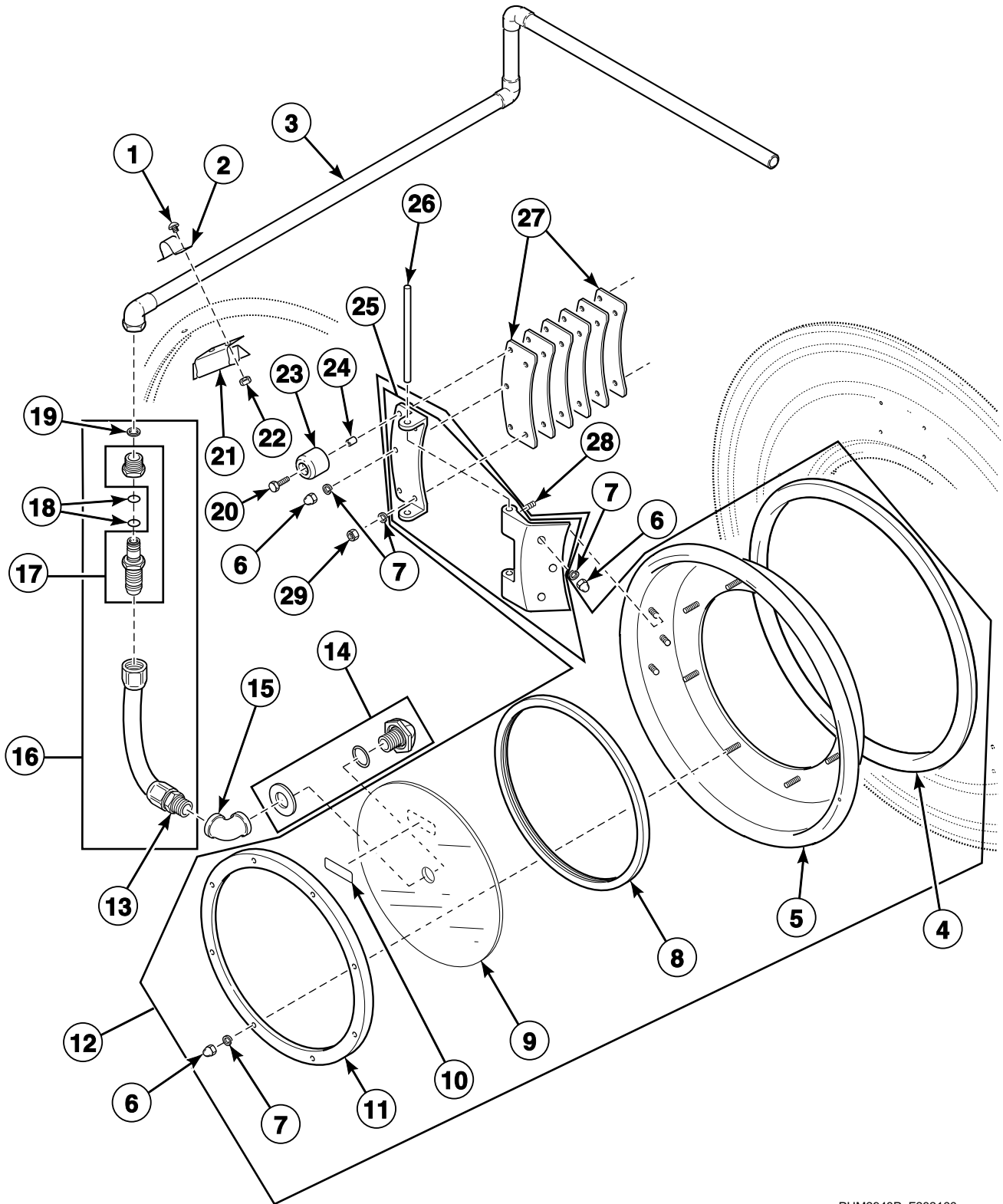
PHM2926P\_F232166

## Basket, Shell and Frame

REF	PART NO.	DESCRIPTION	COMMENTS
1	F602901P	Spray Rinse Bracket Assembly	Models UW60P2 and UW60P3
2	F603344P	Shell Band Assembly	
3	F170120RP	Shell Band Gasket	
4	F609200P	Shell Front Weldment	
	F200119900P	Shell Front Assembly	Includes item 4, top latch bracket casting, lower door latch bracket casting, door butt, bushing, door latch shim, door butt shim and door bumper moulding
5	F632015	Basket Assembly	
6	70142	Nut	
7	M400013	Washer	
8	F633378	Frame Assembly	Models UW60B2 and UW60P2
	F633378-2	Frame Assembly	Models UW60B2 and UW60P2; Close mount
	F633376	Frame Assembly	Model UW60P3
	F633376-2	Frame Assembly	Model UW60P3; Close mount
9	F421929	Hose Barb	
10	36801	Hose Clamp	No. 6
11	F200107P	Water Hose	
12	F150389	Scupper	
13	F431210	Pop Rivet	
14	F100203	Slinger	
15	F8162101	Face Seal	Standard
	F798819-00	Seal Kit	Standard; Includes items 3, 14, 27, 28 and 30-32, sealant and installation instructions
	F8162201	Face Seal	Viton
16	F8084201	Shell Reinforcement Plate Assembly	Includes items 10-13
17	F0200237-00	Plug	
18	F0230112-00	Plug Removal Warning Decal	
19	F150364	Drip Rail	Attach with silicone
20	F430205	Nut	
21	M400014	Washer	
22	M400081	Washer	
23	800461	Screw	
24	F601806	Shell Mounting Bracket	
25	F431116	Washer	
26	F430924	Screw	
27	F430935	Screw	
28	F431112	Washer	
29	F0634436-02	Shell Weldment	Standard
	F0634436-03	Shell Weldment	Standard with starch
	F0633208-05	Shell Weldment	Electric heat
	N/A	Shell Weldment	Electric heat with starch
30	F430215	Nut	
31	F430317	Washer	
32	F430518	Screw	
	F791001	Shell Band Fastener Kit	Includes items 30 and 31
33	F601216	Shell Gasket Shield	
34	N/A	Screw	

**N/A = Part no longer available**

# Door and Spray Tube

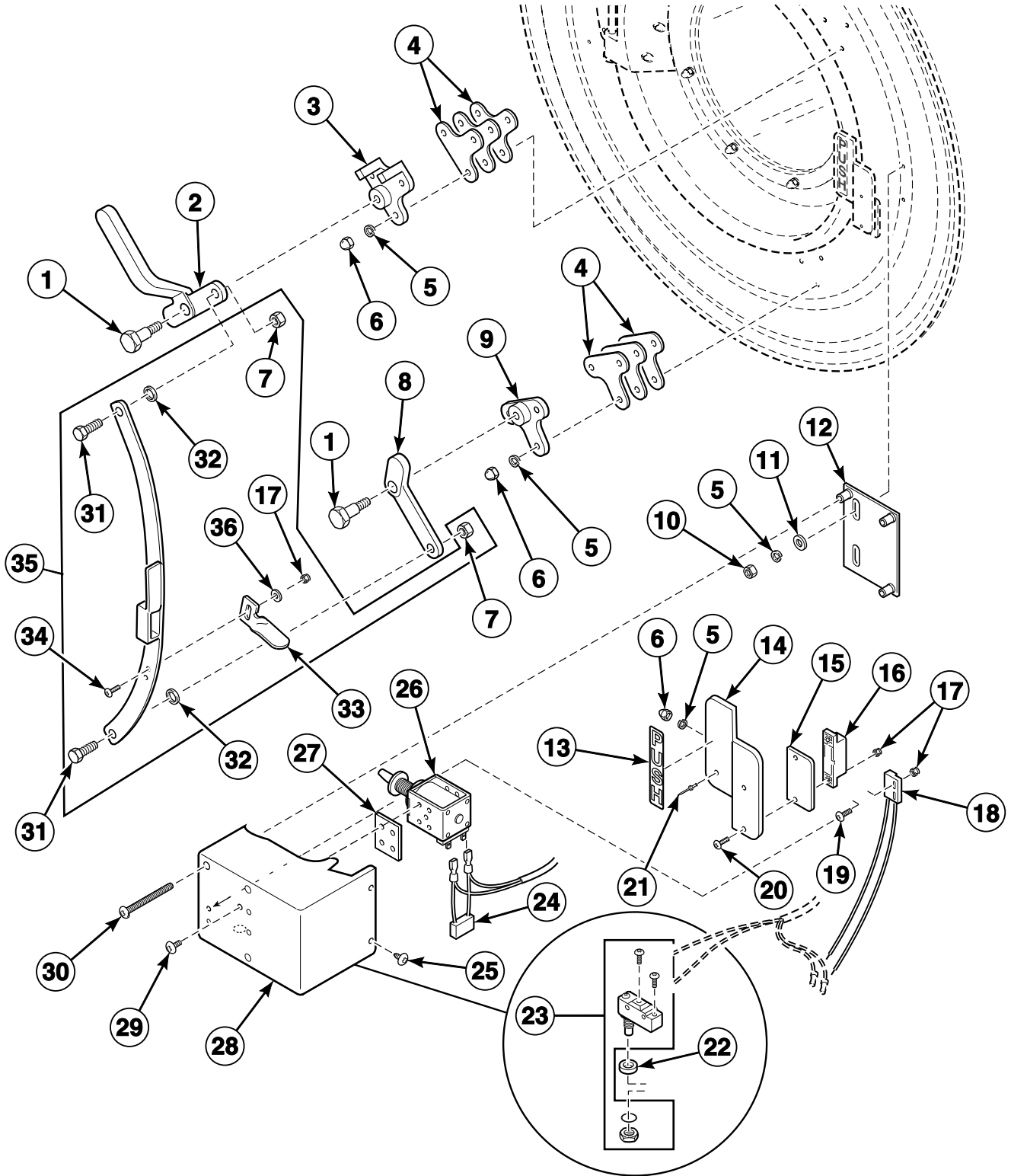


PHM2943P\_F232166

## Door and Spray Tube

REF	PART NO.	DESCRIPTION	COMMENTS
1	F430917	Screw	Models UW60P2 and UW60P3
2	F602880	Spray Rinse Strap	Models UW60P2 and UW60P3
3	F603696-9	Spray Rinse Tube Assembly	Models UW60P2 and UW60P3
4	F170145	Door Gasket	Black
	F017014501	Door Gasket	Gray
5	F730307	Door Kit	Includes studs
6	F431026	Nut	
7	F431100	Washer	
8	F170117	Door Glass Gasket	
9	F290201P	Glass	Model UW60B2; Without hole
	F290200P	Door Glass Kit	Models UW60P2 and UW60P3; With hole
10	F230607	Rotation Decal	
11	F601239	Door Glass Retainer	
12	F940P3	Door Kit	Model UW60B2; Includes items 4-11, 25, 28, F230303 Push Decal, F410102 Clear Sealant, F340703 Magnetic Position Magnet, F430231 Nut, F430916 Screw, F431108 Washer, F431125 Washer, F431217 Rivet and F609427 Push Handle Weldment
	F730539	Door Kit	Models UW60P2 and UW60P3; Includes items 4-11, 25, 28, magnet, door push handle and door push brace
13	F422109	No-Swivel Coupling	Models UW60P2 and UW60P3
14	F730077	Spray Rinse Nozzle Kit	Models UW60P2 and UW60P3
15	F422319	Elbow	Models UW60P2 and UW60P3
16	F730026	Spray Rinse Hose Assembly	Includes items 13 and 17; Models UW60P2 and UW60P3
17	F422108	Swivel Coupling	Models UW60P2 and UW60P3
18	F170200	O-Ring	Models UW60P2 and UW60P3
19	F310206	Ring Retainer	Models UW60P2 and UW60P3
20	F430103	Screw	
21	F602901P	Spray Rinse Bracket Assembly	Models UW60P2 and UW60P3
22	F431022	Nut	Models UW60P2 and UW60P3
23	F150366	Door Bumper Moulding	
24	F430416	Door Bumper Bushing	
25	F200030600P	Door Hinge Strap Kit	
26	F601815	Door Hinge Pin	
27	F0610695-00	Door Butt Shim	
28	F430502	Screw	
29	20274	Nut	

# Door Lock



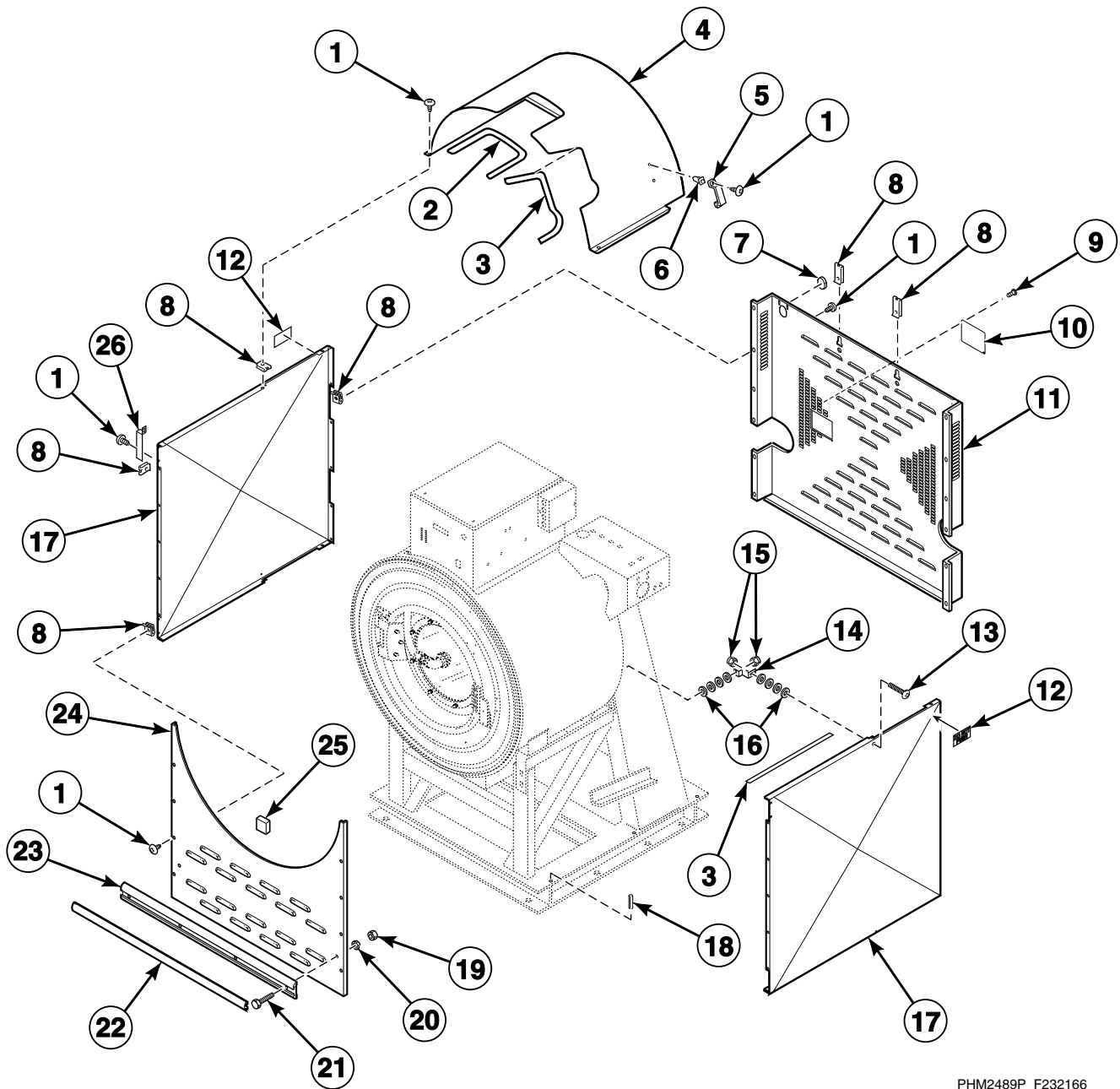
PHM2157P\_F232166



# Door Lock

REF	PART NO.	DESCRIPTION	COMMENTS
1	F430168	Screw	
2	F150203	Door Handle Casting	
3	F150201P	Top Latch Bracket Casting	
4	F602058	Door Latch Bracket Shim	
5	F431100	Washer	
6	F431026	Nut	
7	F431002	Nut	
8	F150204	Lower Door Latch Casting	
9	F150202	Lower Door Latch Bracket Casting	
10	F430215	Nut	
11	F431142	Washer	
12	F605525	Door Box Mounting Plate Assembly	
13	F230303	Push Decal	
14	F609427	Handle Weldment	
	F746201-1	Push Handle Kit	Includes items 15-17 and 20
15	F609822	Handle Spacer	Use as needed
16	F8390801	Magnet	
17	F430231	Nut	
18	F200321200	Magnetic Switch Assembly	
19	F430917	Screw	
20	F430909	Screw	
21	F431210	Pop Rivet	
22	F601055	Interlock Switch Spacer	
23	F340900	Interlock Switch	
24	F330217P	RC Network Filter	
25	F430956	Screw	
26	F300129P	Door Lock Solenoid	220 Volt
27	F609728	Solenoid Spacer	
28	F606630	Door Box	
	F603666P	Door Box Assembly	Includes items 17-19, 26 and 29
29	F430995	Screw	
30	F430996	Screw	
31	F430927	Screw	
32	F431118	Washer	
33	F601639	Extension Arm Tab	
34	F430916	Screw	
35	F746803	Extension Arm Kit	Includes items 7, 17, 31-34 and 36
36	F431108	Washer	

# Front, Side and Rear Panels

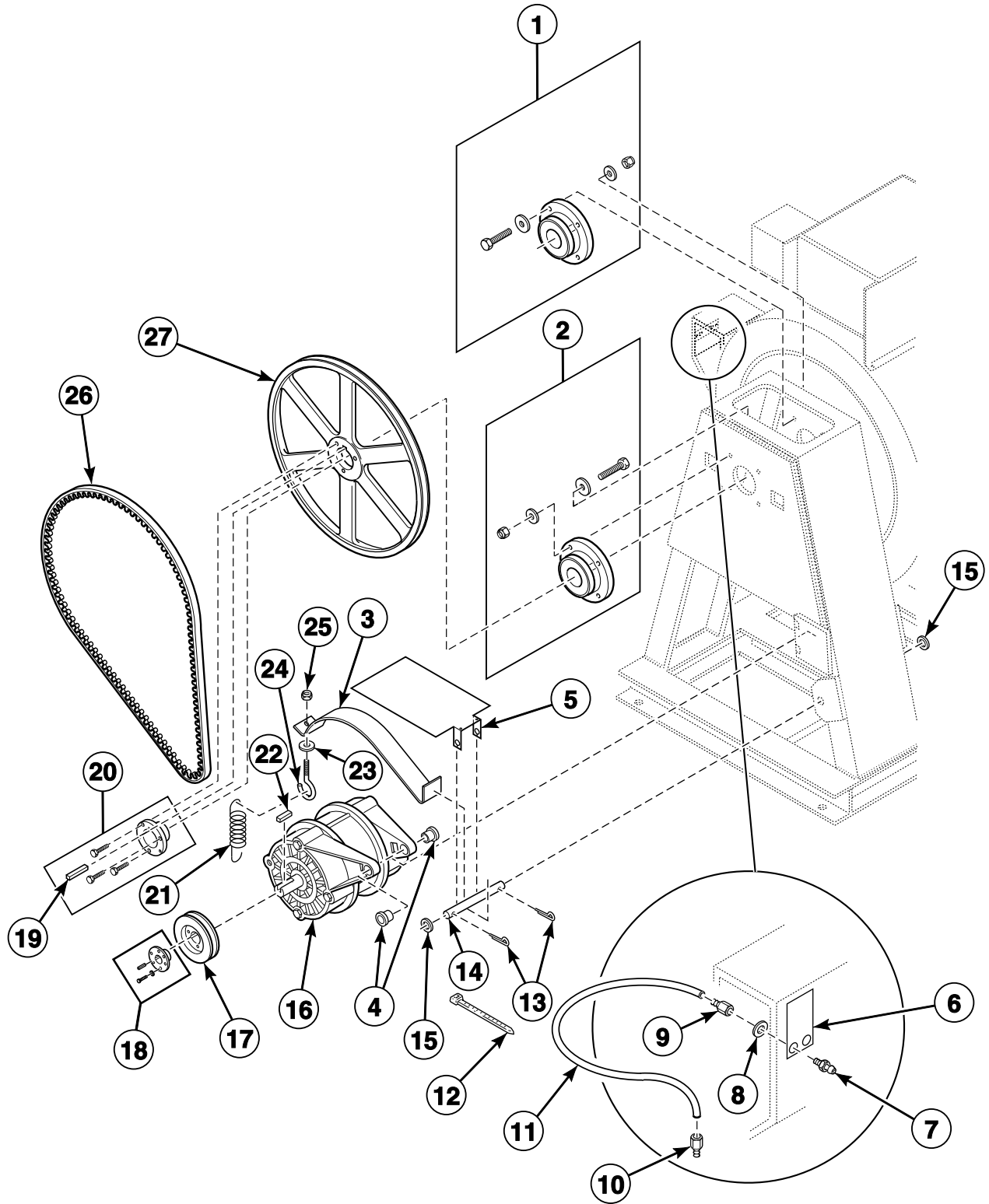


PHM2489P\_F232166

## Front, Side and Rear Panels

REF	PART NO.	DESCRIPTION	COMMENTS
1	F430956	Screw	
2	F100284	Trim Seal	Order 2 feet
3	F170400RP	Trim	
4	F635610	Cage Wrap Weldment	
5	F605324	Hose Strap	
6	F0431807-00	Nut	Plastic insert
7	F180511	Cap Plug	
8	F430264	Nut	Tinnerman
9	70240301	Screw	
10	F200188300	Belt Inspection Port Cover	
11	F200187900P	Rear Panel	
12	F230302	Do Not Push Decal	
13	F432234	Screw	
14	F601982	Side Panel Bracket	
15	F430215	Nut	
16	F430317	Washer	
17	F635648P	Side Panel	Reversible
18	F430415	Pin	
19	F430211	Nut	
20	F431100	Washer	
21	F430921	Screw	
22	F150397	Extrusion Insert	Order 3 feet
23	F150408	Rub Rail	
24	F635649P	Front Panel	
25	F170110	Sponge	
26	F606667	Side Panel Cover	

# Motor and Pulley - Models UW60B2 and UW60P2

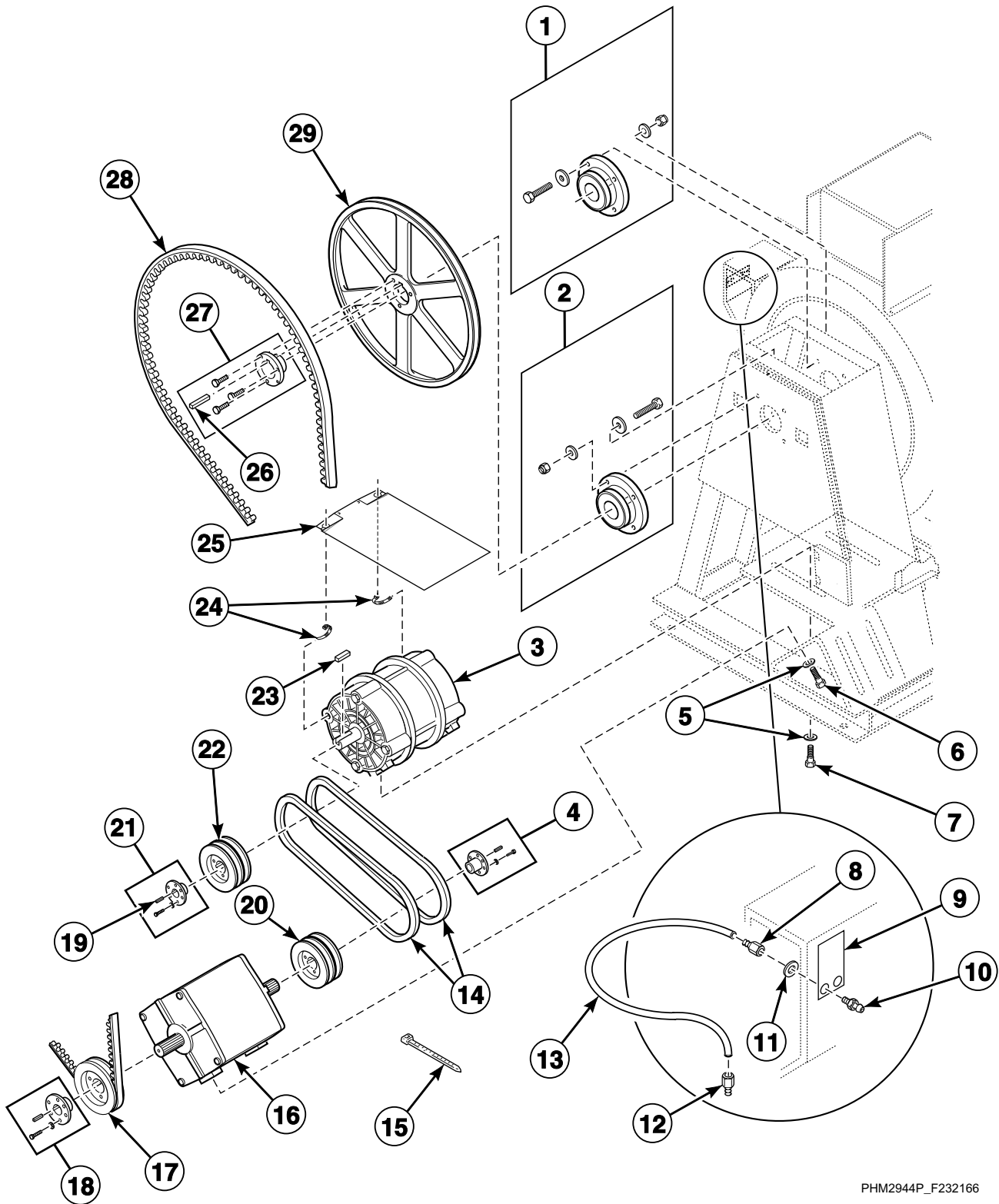


PHM2511P\_F232166

## Motor and Pulley - Models UW60B2 and UW60P2

REF	PART NO.	DESCRIPTION	COMMENTS
1	F798824-00	Front Bearing Kit	Includes seal and hardware
2	F745010	Rear Bearing Kit	Includes hardware
3	F602166	Motor Adjustment Strap	
4	F200186100	Motor Support Bushing	2 required; Used with F220303P Motor
5	F200280700	Motor Drip Shield	
6	F231563	Grease Instruction Decal	Lubrication
7	F190701	Grease Fitting	
8	F430332	Washer	
9	F422114	Air Coupling	
10	J1408004	Connector	
11	C000628P	Tubing	
12	F140605	Cable Tie	6 inch
13	F430401	Cotter Pin	
14	F730076	Motor Support Rod Kit	Includes items 13 and 15
15	901690	Washer	
16	F8330501P	Motor	208 or 240 Volt/3 Phase
	F8353801P	Motor	380 or 415 Volt/50 Hertz/3 Phase; 440 or 480 Volt/60 Hertz/3 Phase; Includes item 4
17	F280146P	Pulley	BK34H
18	F280214	Motor Bushing	H-78
19	F430801	Key	
20	F280409P	Bushing	2-7/16; Includes item 19
21	F310127	Spring	
22	F430802	Key	
23	F430153	Bolt	
24	M400080	Washer	
25	F430233	Nut	
26	F280309	Belt	BX100
27	F280410	Pulley	1B255K

# Motor and Pulley - Model UW60P3

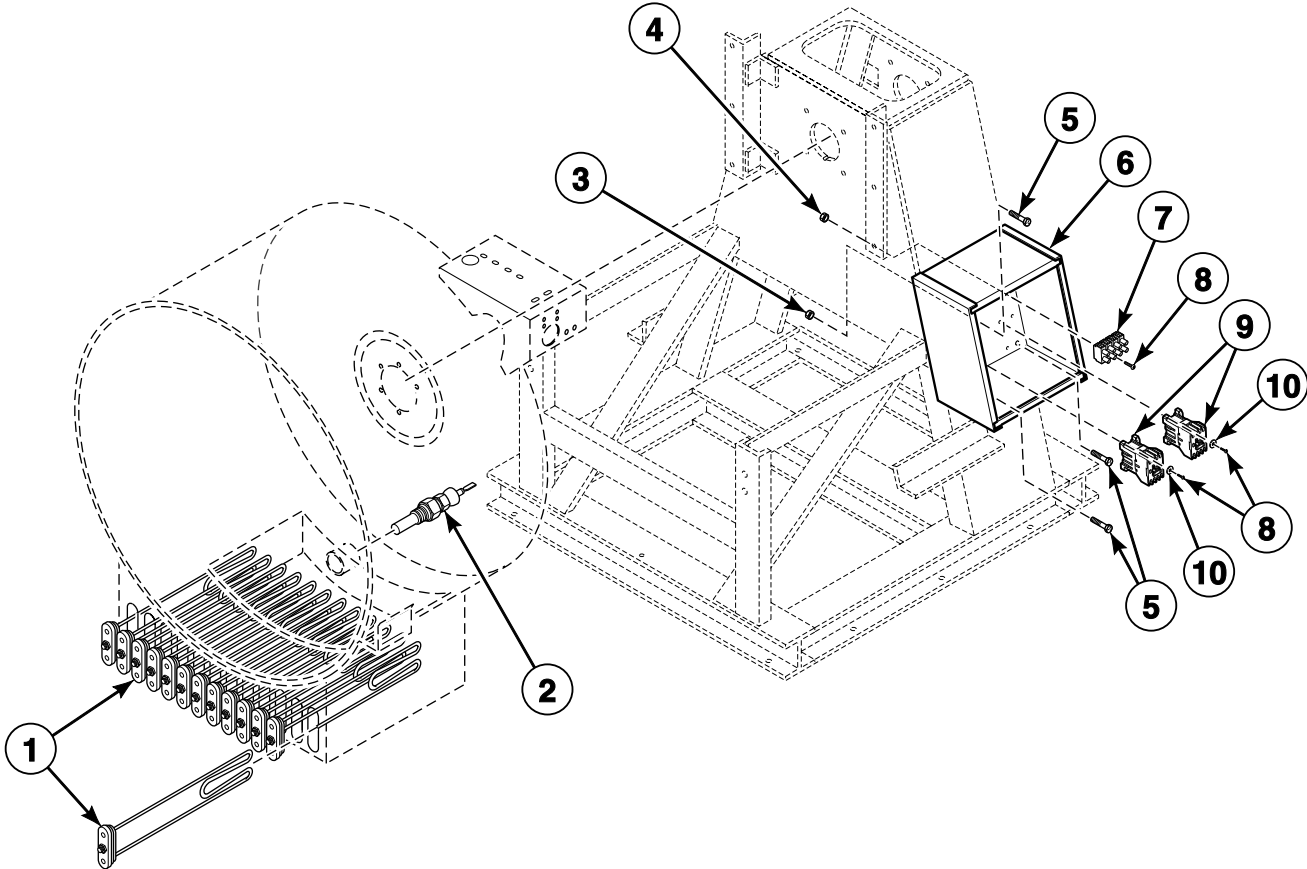


PHM2944P\_F232166

## Motor and Pulley - Model UW60P3

REF	PART NO.	DESCRIPTION	COMMENTS
1	F798824-00	Front Bearing Kit	Includes seal and hardware
2	F745010	Rear Bearing Kit	Includes hardware
3	F8354601P	Motor	208 or 240 Volt; Wash
	F220425P	Motor	380, 415, 440 or 480 Volt; Wash
4	F280297	Pulley Bushing	SH; 1-1/8; Extract; Inside
5	M400014	Washer	
6	F430116	Screw	
7	800461	Screw	
8	F422114	Air Coupling	
9	F231563	Grease Instruction Decal	Lubrication
10	F190701	Grease Fitting	
11	F430332	Washer	
12	J1408004	Connector	
13	C000628P	Tubing	
14	F280351	Belt	60 Hertz; 3V355; 2 required
	F280349	Belt	50 Hertz; 3V375; 2 required
15	F140605	Cable Tie	6 inch
16	F220413P	Motor	208 or 240 Volt; Extract
	F8353801P	Motor	380 or 415 Volt/50 Hertz; 440 or 480 Volt/60 Hertz; Extract
17	F280132P	Pulley	BK45H; Extract; Outside; 60 Hertz applications only
18	F280211P	Motor Pulley Bushing	H-1-1/8; Extract; Outside; Includes hardware and key
19	F430802	Key	
20	F280408	Pulley	2GR3V6SH; Extract; Inside; 2 groove; 6 inch OD
21	F280298P	Pulley Bushing	JA 7/8; Includes item 19 and hardware; Wash
22	F280299	Pulley	2G3V28JA; Wash; 2 groove; 2.8 inch OD
23	F430803	Key	
24	F140605	Cable Tie	
25	F200216900	Motor Drip Shield	
26	F430801	Key	
27	F280409P	Bushing	2-7/16; Includes item 26 and hardware
28	F280309	Belt	BX100
29	F280410	Pulley	1B255K

# Electric Heat Option



PHM2074P\_F232166



# Electric Heat Option

REF	PART NO.	DESCRIPTION	COMMENTS
1	F360203P	Heating Element	6 required
2	F370606P	Temperature Probe	
3	F430215	Nut	
4	F430231	Nut	
5	F430938	Screw	
6	F140413	Box	
7	M413865	Terminal Block	O and Q-voltage
	F140747	Input Power Block	F, N and P-voltage
8	F430910	Screw	
9	F330188P	Contactor	220 Volt
10	F430311	Washer	

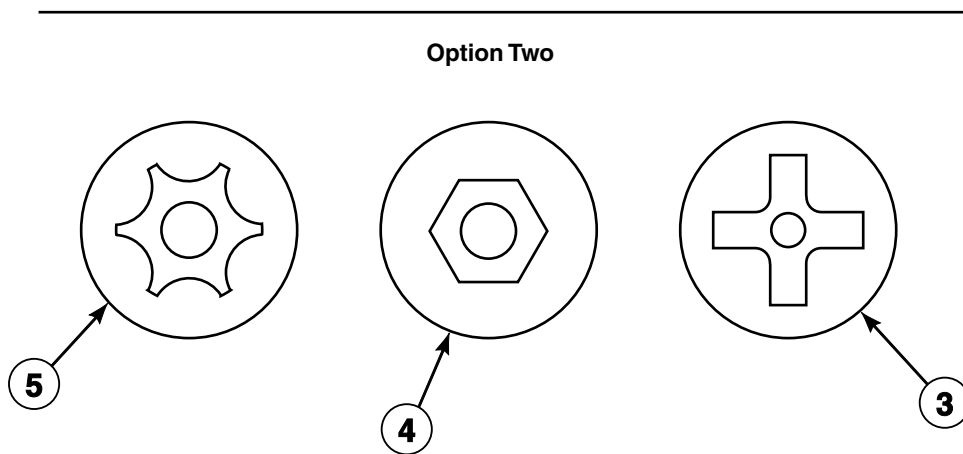
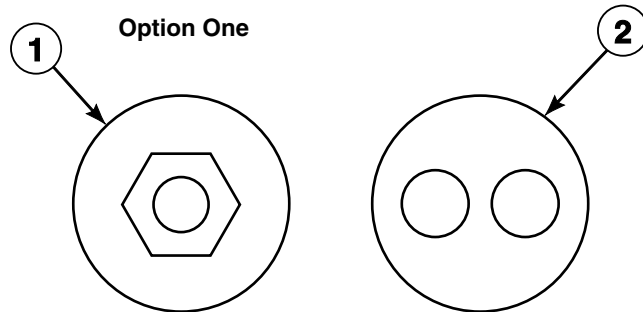


## Steam Heat Option and Transformers

REF	PART NO.	DESCRIPTION	COMMENTS
	F410300	Pipe Insulation	
1	F200202600	Plug	
2	F603131	Steam Injector Tube Assembly	
3	F421703	Street Elbow	
4	F200517	Steam Hose	
5	F420708	Nipple	
6	F420409	Plug	
7	H86070034	Street Elbow	
8	F380787P	Steam Valve	1/2 inch; 220 Volt; F380984 Steam Valve Repair Kit
9	F380987P	DIN Coil	220 Volt
10	F140425	Control Transformer Cover	
11	F360156P	Transformer	F-voltage
12	F430935	Screw	
13	N/A	Nipple	
14	70079601	Elbow	
15	F420710	Nipple	
16	F200401P	U-Bolt Clamp	Includes washers and nuts
17	F270307	Steam Filter	
18	F635634	Steam Bracket Weldment	
19	F635653P	Steam Plumbing Assembly	220 Volt; Includes items 2-9, 13-15, 17 and pipe insulation

N/A = Part no longer available

# Security Fasteners



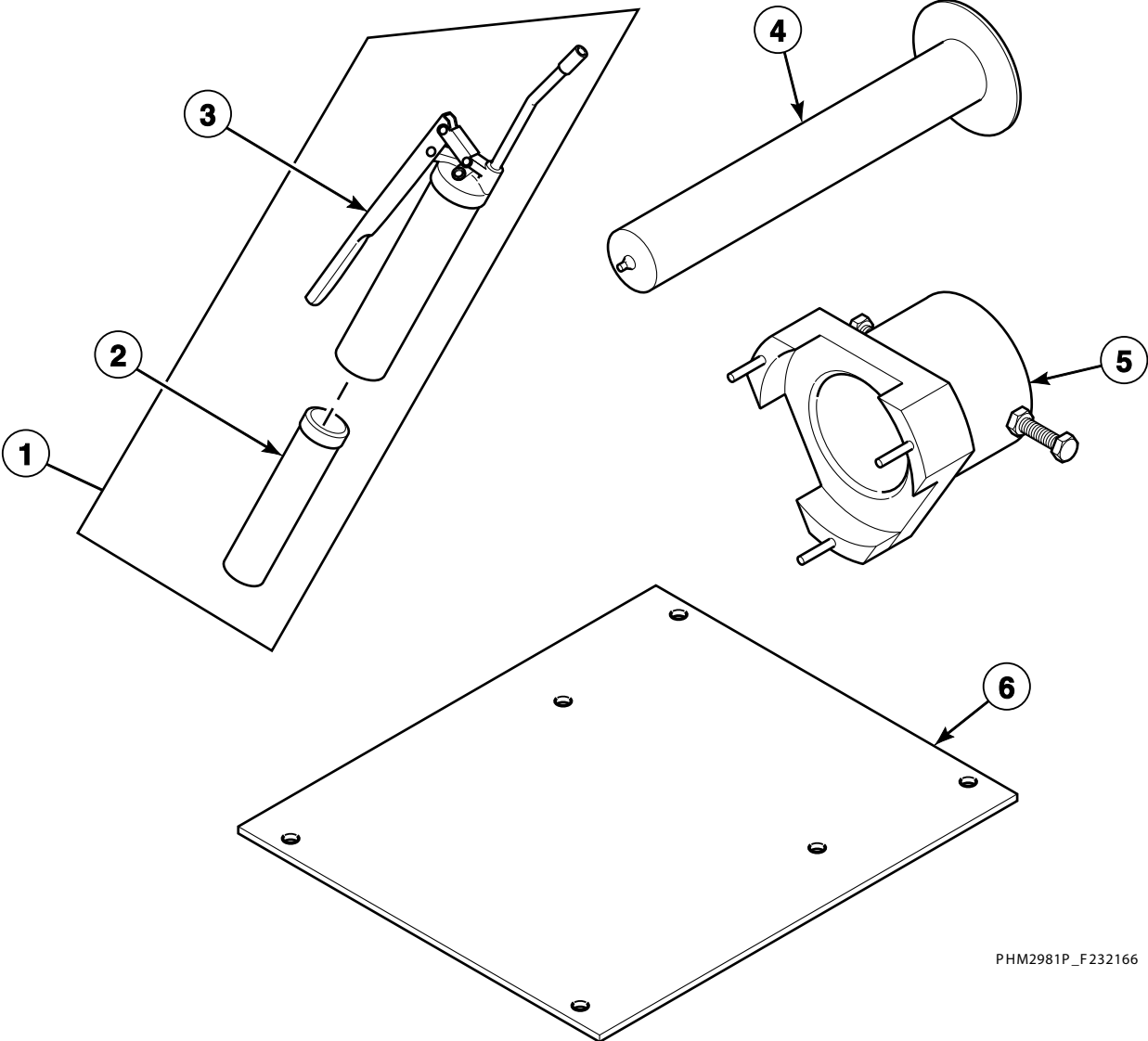
PHM2181P\_F232166

# Security Fasteners

REF	PART NO.	DESCRIPTION	COMMENTS
1	F0430275-00	Screw	No. 8; 32 x 1/2 inch; Used in place of F430956 Screw; Typical location is the side panels and module cover
	F430960	Screw	No. 10; 32 x 3/8 inch; Used in place of F430904 Screw; Typical location is the module to the shell
	F704906	Hex Bit	
2	F0430273-00	Screw	1/4 inch; 20 x 2-1/2 inch; Used in place of F430996 Screw; Typical location is the door box to the bracket
	F0430272-00	Screw	1/4 inch; 20 x 1-1/2 inch; Used in place of F430921 Screw; Typical location is the side panel to the bracket
	F0430274-00	Screw	1/4 inch; 20 x 1/2 inch; Used in place of F430925 Screw; Typical location is the drive box or the cover
	F704907	Spanner Bit	
3	F432260	Screw	1/4 inch; 20 x 2-1/2 inch; Used in place of F430996 Screw; Typical location is the door box to the bracket
	N/A	Phillips Bit	
4	N/A	Screw	1/4 inch; 20 x 1/2 inch; Used in place of F430925 Screw; Typical location is the drive box or cover
	N/A	Hex Bit	
5	F432259	Screw	No. 8; 32 x 1/2 inch; Used in place of F430956 Screw; Typical location is the side panels and module cover
	281P4	Torx Bit	

**N/A = Part no longer available**

# Special Tools



PHM2981P\_F232166

# Special Tools

REF	PART NO.	DESCRIPTION	COMMENTS
	F798770	Rebar Frame Kit	Order with equipment
	F730055-1	Mounting Bolt Kit	
	1113P	Concrete Hardware Kit	
<b>1</b>	F798700	Grease Gun Kit	Includes items 2 and 3
<b>2</b>	F210206P	Bearing Grease	
<b>3</b>	F210207P	Grease Gun	
<b>4</b>	F633426	Alignment Shaft Assembly	
<b>5</b>	F0100312-00	Shaft Seal Alignment Fixture	
<b>6</b>	F602941	Rebar Frame Template	





# Parts Index

## A

Adapter	
F422508 .....	41
F8265701 .....	33, 35, 37, 39
Air Coupling	
F422114 .....	51, 53
Air Trap Hose	
F020014200 .....	9, 21
Alignment Shaft Assembly	
F633426 .....	61

## B

Balance Switch Bracket	
F601750 .....	23
F8124301 .....	23
Basket Assembly	
F632015 .....	43
Battery	
F191101 .....	15
Bearing Grease	
F210206P .....	61
Before Power Is Connected Tag	
F230501 .....	7
Belt	
F280309 .....	51, 53
F280349 .....	53
F280351 .....	53
Belt Inspection Port Cover	
F200188300 .....	49
Bolt	
F0430539-00 .....	23
F430153 .....	51
Box	
F140413 .....	55
Bushing	
F280409P .....	51, 53
Buzzer	
F300206 .....	17

## C

Cable Assembly	
F604713 .....	19
Cable Tie	
F140605 .....	15, 51, 53
F140606 .....	15
Cable Tray Cover	
F635476 .....	9
F635478 .....	15
Cage Wrap Weldment	
F635610 .....	49
Cap Plug	
F180511 .....	49
Chemical Supply Cup	
F150385 .....	25
F150386 .....	25

Chemical Supply Hose	
F150469 .....	25
Circuit Breaker	
F350217 .....	11
F350218 .....	19
F8303001P .....	17
Clockwise Spin Rotation Decal	
F230652 .....	7
Cold Water Valve Decal	
F231368 .....	7
Computer	
F0370455-20P .....	9
Computer Cover	
F606826 .....	15
Computer Input Harness	
F0141930-00 .....	15
Concrete Hardware Kit	
1113P .....	61
Conductor Decal	
F231146 .....	7
Connector	
F140575P .....	19
F140576P .....	19
F422500 .....	9, 21
J1408004 .....	51, 53
Contact Block Switch	
F200233401 .....	9, 15
F200299500 .....	9, 15
F340445 .....	9, 15
Contacto	
F330177P .....	11, 17
F330188P .....	55
Containment Device	
F0380809-00 .....	31, 37, 39
Control Cover	
F0636887-00 .....	9
Control Module Cover	
F635456 .....	9, 15
Control Module Decal	
F0231565-00 .....	9
F231562 .....	15
Control Transformer Cover	
F140425 .....	57
Cotter Pin	
F430401 .....	51

## D

Diaphragm and Guide Kit	
G582P3 .....	9, 21, 27
DIN Coil	
F380987P .....	29, 31, 33, 35, 37, 39, 57
DIN Contacto Mounting Rail	
F602595-5 .....	11, 17
DIN Harness Assembly	
F141901P .....	29, 31, 33, 35, 37
Disconnect Power Warning Label	
505281 .....	7, 9, 15
Dispenser Assembly	
F0150512-00P .....	25

N/A items do not appear in index.

Dispenser Lid F0150514-00.....	25
Do Not Push Decal F230302.....	7, 49
Door Box F606630.....	47
Door Box Assembly F603666P.....	47
Door Box Mounting Plate Assembly F605525.....	47
Door Bumper Bushing F430416.....	45
Door Bumper Moulding F150366.....	45
Door Butt Shim F0610695-00.....	45
Door Gasket F017014501..... F170145.....	45 45
Door Glass Gasket F170117.....	45
Door Glass Kit F290200P.....	45
Door Glass Retainer F601239.....	45
Door Handle Casting F150203.....	47
Door Hinge Pin F601815.....	45
Door Hinge Strap Kit F200030600P.....	45
Door Kit F730307..... F730539..... F940P3.....	45 45 45
Door Latch Bracket Shim F602058.....	47
Door Lock Solenoid F300129P.....	47
Drain Hose F150438..... F150442..... F200165100.....	41 41 41
Drain Valve Cover F200133600.....	41
Drain Valve Kit F200166402.....	41
Drain Valve Motor F380933P.....	41
Drip Rail F150364.....	43

## E

Elbow F0422918-00..... F420509..... F422319..... 70079601.....	31 33, 35, 37, 39 45 57
Electrical Access Panel F0637549-00..... F635448.....	15 15

Emergency Stop Button Kit F200233700P.....	9, 15
Emergency Stop Pushbutton F200233500.....	9, 15
Extension Arm Kit F746803.....	47
Extension Arm Tab F601639.....	47
External Supply Box F635468.....	9, 15
External Supply Box Cover F633435..... F635365.....	15 9
External Supply Caution Decal F231345-4.....	7
External Supply Connection Decal F230764-11..... F230764-12.....	13 13
Extrusion Insert F150397.....	49

## F

Face Seal F8162101..... F8162201.....	43 43
Fill Plumbing Assembly F0637637-01..... F633146-1..... F633146-5..... F633419-1..... F633419-5.....	37, 39 33, 35 33, 35 33, 35 33, 35
Filter Retainer Guard F220900.....	17
Flange Relay F330230.....	11, 17
Frame Assembly F633376..... F633376-2..... F633378..... F633378-2.....	43 43 43 43
Front Bearing Kit F798824-00.....	51, 53
Front Panel F635649P.....	49
Fuse F350108..... F350109..... F350110..... F350115..... F350142.....	11, 17 11, 17 11, 17 19 19
Fuse Holder F0350312-10..... F0350313-00P.....	19 19

## G

Gasket F170158P.....	25
Gate Valve F380500.....	33, 35, 37, 39

N/A items do not appear in index.

Glass	
F290201P .....	45
Grease Fitting	
F190701 .....	51, 53
Grease Gun	
F210207P .....	61
Grease Gun Kit	
F798700 .....	61
Grease Instruction Decal	
F231563 .....	51, 53
Ground Decal	
F230630 .....	13, 19
Ground Terminal Lug	
F140734 .....	13, 19

## H

Handle Spacer	
F609822 .....	47
Handle Weldment	
F609427 .....	47
Heating Element	
F360203P .....	55
Hex Bit	
F704906 .....	59
Hose	
F200104P .....	33, 35, 37, 39
Hose Adapter	
F421908 .....	29, 31
F421909 .....	33, 35, 37, 39
Hose Barb	
F421929 .....	41, 43
F421951 .....	33, 35, 37, 39
F421964 .....	33, 35, 37, 39
Hose Clamp	
F200201 .....	41
F200206 .....	33, 35, 37, 39
F200213 .....	25, 41
F200215 .....	9, 21, 41
F200222 .....	33, 35, 37, 39
36801 .....	27, 41, 43
Hose Connector	
F200302 .....	27
Hose Strap	
F605324 .....	49
Hot Surface Warning Decal	
F200085000 .....	7
F231380 .....	7
Hot Water Valve Decal	
F231367 .....	7

## I

Injection Nozzle	
F8322001 .....	25
Injection Nozzle Kit	
F730168 .....	25
Input Block Decal	
F0231636-00 .....	19
Input Power Block	
F140747 .....	55
F140794-1 .....	13, 19

Input Power Decal	
F231437 .....	13
Insulator Bushing	
F140909 .....	13, 19
Interlock Contactor	
F330186P .....	11, 17
Interlock Switch	
F340900 .....	23, 47
Interlock Switch Spacer	
F601055 .....	47

## K

Key	
F430801 .....	51, 53
F430802 .....	51, 53
F430803 .....	53
Keymode Run/Program Switch	
F340800P .....	19
Keypad	
F0231582-01P .....	9
Keypad Decal	
F230724P .....	15

## L

Lower Door Latch Bracket Casting	
F150202 .....	47
Lower Door Latch Casting	
F150204 .....	47

## M

Magnet	
F8390801 .....	47
Magnetic Switch Assembly	
F200321200 .....	47
Main Drive Kit	
F380918 .....	41
Main Harness	
F0635734-01 .....	15
Momentary Switch	
F200120100 .....	9, 15
F340412 .....	9, 15
Motor	
F220413P .....	53
F220425P .....	53
F8330501P .....	51
F8353801P .....	51, 53
F8354601P .....	53
Motor Adjustment Strap	
F602166 .....	51
Motor Bushing	
F280214 .....	51
Motor Drip Shield	
F200216900 .....	53
F200280700 .....	51
Motor Pulley Bushing	
F280211P .....	53
Motor Support Bushing	
F200186100 .....	51

N/A items do not appear in index.

Motor Support Rod Kit F730076.....	51
Mounting Bolt Kit F730055-1.....	61

## N

Nipple	
F420101.....	29, 31, 33, 35, 37, 39
F420103.....	29, 31, 33, 35, 37
F420105.....	29, 31, 33, 35, 37, 39
F420107.....	35, 37, 39
F420708.....	57
F420710.....	57
F421949.....	29, 31
No-Swivel Coupling	
F422109.....	45
Nut	
F0431807-00.....	49
F430205.....	43
F430211.....	49
F430215.....	43, 47, 49, 55
F430218.....	23
F430231.....	13, 15, 17, 47, 55
F430233.....	51
F430264.....	49
F431000.....	9, 13, 15, 19
F431002.....	47
F431005.....	25
F431022.....	19, 45
F431026.....	9, 15, 45, 47
F431806.....	11
H88412101.....	23
20274.....	23, 45
44087301.....	23
70142.....	43
802292.....	25

## O

O-Ring	
F0170221-00.....	31, 37, 39
F170200.....	45
F170208.....	25
F170215.....	25
Output Board Cover	
F0170427-00.....	11
Output CCA	
F037044860-2.....	11
F8321901P.....	17
Overflow Plug	
F150352.....	41

## P

Personal Injury Warning Decal	
F231065.....	7, 19
Pin	
F430415.....	49
Pipe	
F0602364-10.....	41
F0602364-25.....	41
F0602365-01.....	41

F0602365-22.....	41
Pipe Insulation	
F410300.....	57
Plug	
F0200237-00.....	43
F200202600.....	57
F420408.....	33
F420409.....	57
Plug Cap	
F190304.....	25
Plug Removal Warning Decal	
F0230112-00.....	43
Pop Rivet	
F431210.....	41, 43, 47
Program Key	
F370709.....	19
Pulley	
F280132P.....	53
F280146P.....	51
F280299.....	53
F280408.....	53
F280410.....	51, 53
Pulley Bushing	
F280297.....	53
F280298P.....	53
Push Decal	
F230303.....	47
Push Handle Kit	
F746201-1.....	47

## R

RC Network Filter	
F330217P.....	47
Rear Bearing Kit	
F745010.....	51, 53
Rear Panel	
F200187900P.....	49
Rebar Frame Kit	
F798770.....	61
Rebar Frame Template	
F602941.....	61
Reducer Bushing	
F422602.....	41
Repair Kit	
F380965P.....	35
Resistor	
F370116.....	19
Ribbon Cable	
F140219P.....	15, 17
F140247.....	9, 11
Ring Retainer	
F310206.....	45
Rotation Decal	
F230607.....	45
Rotation Sensor Assembly	
F200126200P.....	23
Rotation Sensor Bracket	
F200122502.....	23
Rotation Sensor Harness	
F8066401.....	23
Rotation Sensor PCB	
F200101300P.....	23

N/A items do not appear in index.

Rotation Sensor Retrofit Kit F079900800 .....	23
Rub Rail F150408 .....	49

## S

### Screw

F0430272-00.....	59
F0430273-00.....	59
F0430274-00.....	59
F0430275-00.....	59
F430103.....	45
F430116.....	53
F430168.....	47
F430174.....	15
F430502.....	45
F430518.....	43
F430903.....	11, 17, 19
F430909.....	47
F430910.....	13, 17, 19, 55
F430916.....	47
F430917.....	9, 15, 25, 45, 47
F430920.....	13
F430921.....	49
F430924.....	43
F430927.....	23, 47
F430928.....	9, 11, 15, 17
F430935.....	43, 57
F430938.....	19, 31, 37, 39, 55
F430948.....	27
F430956.....	47, 49
F430960.....	59
F430995.....	13, 47
F430996.....	47
F431702.....	11
F432234.....	49
F432259.....	59
F432260.....	59
F8111101.....	23
F8122701.....	23
F8136401.....	9, 15
70240301.....	9, 15, 49
800461.....	23, 43, 53

### Scupper

F150389.....	41, 43
--------------	--------

### Seal Kit

F798819-00.....	43
-----------------	----

### Shaft Seal Alignment Fixture

F0100312-00.....	61
------------------	----

### Shell Band Assembly

F603344P.....	43
---------------	----

### Shell Band Fastener Kit

F791001.....	43
--------------	----

### Shell Band Gasket

F170120RP.....	43
----------------	----

### Shell Front Assembly

F200119900P.....	43
------------------	----

### Shell Front Weldment

F609200P.....	43
---------------	----

### Shell Gasket Shield

F601216.....	43
--------------	----

### Shell Mounting Bracket

F601806.....	43
--------------	----

### Shell Reinforcement Plate Assembly

F8084201.....	41, 43
---------------	--------

### Shell Weldment

F0633208-05.....	43
F0634436-02.....	43
F0634436-03.....	43

### Side Panel

F635648P.....	49
---------------	----

### Side Panel Bracket

F601982.....	49
--------------	----

### Side Panel Cover

F606667.....	49
--------------	----

### Signal Light

F350404.....	19
--------------	----

### Slinger

F100203.....	43
--------------	----

### Snap Bushing

F140938.....	9, 21
--------------	-------

### Soap Dispenser Hose

F150309.....	41
--------------	----

### Soap Dispenser Shroud Weldment

F8024301.....	25
---------------	----

### Solenoid Spacer

F609728.....	47
--------------	----

### Spanner Bit

F704907.....	59
--------------	----

### Sponge

F170110.....	49
--------------	----

### Spray Plumbing Assembly

F0637633-01.....	31
F0637633-03.....	31
F633150-1.....	29
F633150-5.....	29

### Spray Rinse Bracket Assembly

F602901P.....	43, 45
---------------	--------

### Spray Rinse Hose Assembly

F730026.....	45
--------------	----

### Spray Rinse Nozzle Kit

F730077.....	45
--------------	----

### Spray Rinse Strap

F602880.....	45
--------------	----

### Spray Rinse Tube Assembly

F603696-9.....	45
----------------	----

### Spring

F310127.....	51
--------------	----

### Standoff

F180501.....	11, 23
F180506.....	17

### Steam Bracket Weldment

F635634.....	57
--------------	----

### Steam Filter

F270307.....	57
--------------	----

### Steam Hose

F200517.....	57
--------------	----

### Steam Injector Tube Assembly

F603131.....	57
--------------	----

### Steam Plumbing Assembly

F635653P.....	57
---------------	----

### Steam Valve

F380787P.....	57
---------------	----

### Strain Relief Adapter Kit

F749802.....	25
--------------	----

### Strain Relief Connector

F140340P.....	25
---------------	----

N/A items do not appear in index.

Strainer	
F270200	27
Street Elbow	
F420500	29, 31, 33, 35, 37, 39
F420502	29, 33, 35, 37, 39
F421703	57
H86070034	57
Supply Dispenser Hazard Caution Decal	
F231436	7, 25
Supply Dispenser Spacer	
F0150525-00	25
Switch Mode Decal	
F0231632-01	19
F231581	19
Swivel Coupling	
F422108	45

## T

Tee	
F420400	31, 33
F420401	29
F420402	35, 37, 39
F422801	41
F422803	41
F422806	9
Temperature Probe	
F370606P	23, 55
Terminal Block	
F140776	13, 19
M413865	55
This Machine Must Be Protected Decal	
F230301	7
Tie Wrap Mounting Clamp	
F140602	15
Top Latch Bracket Casting	
F150201P	47
Torx Bit	
281P4	59
Transformer	
F360156P	57
Trim	
F170400RP	25, 49
Trim Seal	
F100284	49
Tube Connector	
F422106	29, 31
Tubing	
C000628P	51, 53
F422404P	9, 21

## U

U-Bolt Clamp	
F200401P	29, 31, 33, 35, 37, 39, 57

## V

Vacuum Breaker	
F380117	41
Vacuum Breaker Cap	
F0380808-00	31, 37, 39
Vacuum Breaker Kit	
F0798922-00	31, 37, 39
Vacuum Breaker Valve	
F063754701P	31, 37, 39
F380800P	29, 33, 35
Valve	
F381701P	33, 35, 37, 39
F381703P	29, 31, 35, 37
Valve Repair Kit	
F380988	37
F380990P	37
F380993P	35
Valve, 4-Way	
F381723P	9, 21, 27
F381724P	27

## W

Washer	
F430311	55
F430317	43, 49
F430332	51, 53
F431100	25, 45, 47, 49
F431106	13, 19
F431108	9, 15, 19, 47
F431112	43
F431113	9, 15
F431116	43
F431118	47
F431123	9, 15
F431125	15
F431142	47
F431147	25
F8195301	25
M400013	43
M400014	23, 43, 53
M400080	51
M400081	23, 43
20290	29, 31, 33, 35, 37, 39
803615	29, 31, 33, 35, 37, 39
901690	51
Water Hose	
F200107P	41, 43
F200110P	27
F200164	29, 31, 33, 35, 37, 39
F200166	29, 31, 33, 35, 37, 39
F200509	33, 35, 37, 39
Water Level Switch	
F0340347-10P	9, 21
Water Pressure Switch	
F8223001P	9
Water Valve Repair Kit	
F380991P	35, 39
WE-6 Computer	
F370534-00P	15

---

# Y

Y Connector	
F422816 .....	27

---

