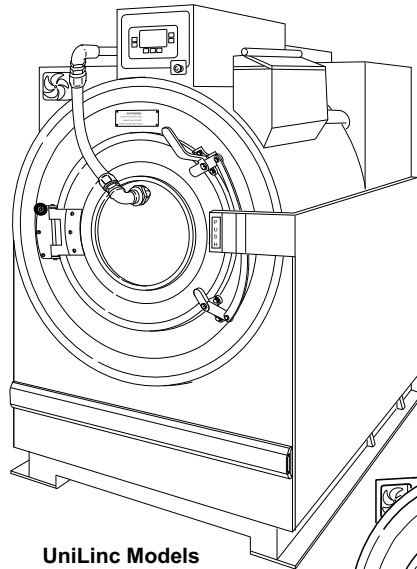


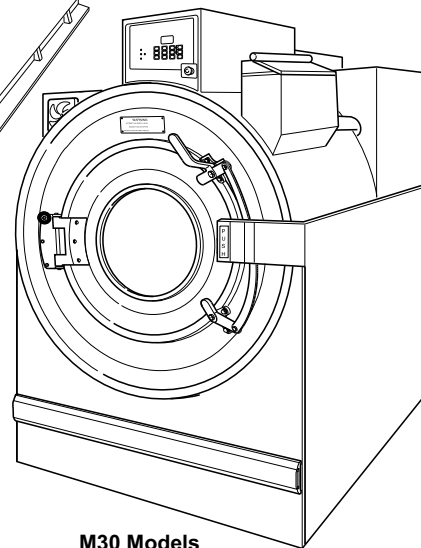
Washer-Extractor

Pocket Hardmount

Refer to Page 3 for Model Numbers



UniLinc Models



M30 Models

PHM1419C_F8149101

Table of Contents

Title	Page
Parts Ordering Information.....	2
Nameplate Location	2
Model Identification	3
Pocket Hardmount Washer-Extractor Product Overview - Model UW60TV	4
Pocket Hardmount Washer-Extractor Product Overview - UWL060, UWN060 and UWU060 Models.....	6
Control Module (Drawing 1 of 3)	8
Control Module (Drawing 2 of 3)	10
Control Module (Drawing 3 of 3)	12
AC Drive Box (Drawing 1 of 2).....	14
AC Drive Box (Drawing 2 of 2).....	16
Balance Switch, Temperature Probe and Rotation Sensor	18
Panels	20
Drive Box and Water Supply Box - Models Through 10/3/10.....	22
Drive Box and Water Supply Box - Models Starting 10/4/10.....	24
Door and Spray Tube Assembly - Models Through 10/3/10.....	26
Door and Spray Tube Assembly - Models Starting 10/4/10.....	28
Door Lock.....	30
Basket.....	32
Shell and Frame - Models Through 10/3/10	34
Shell and Frame - Models Starting 10/4/10	36
Supply Dispenser.....	38
Water Supply Valve and Hoses to Supply Dispenser - Models Through 10/3/10.....	40
Water Supply Valve and Hoses to Supply Dispenser - Models Starting 10/4/10.....	42
Spray and Fill Plumbing Assemblies - Models Through 10/3/10.....	44
Fill Plumbing Assembly - Models Starting 10/4/10.....	46
Fill Plumbing Assembly - Models Through 10/3/10.....	48
Spray Plumbing Assembly - Models Starting 10/4/10.....	50
Drain - Models Through 10/3/10	52
Drain - Models Starting 10/4/10	54
Motor, Pulley and Bearings (Drawing 1 of 2)	56
Motor, Pulley and Bearings (Drawing 2 of 2)	58
Electric Heat Option	60
Steam Heat Option - Models Through 10/3/10	62
Steam Heat Option - Models Starting 10/4/10	64
Special Tools	66
Parts Index.....	69

© Copyright 2013, Alliance Laundry Systems LLC

All rights reserved. No part of the contents of this book may be reproduced or transmitted in any form or by any means without the expressed written consent of the publisher.

Parts Ordering Information

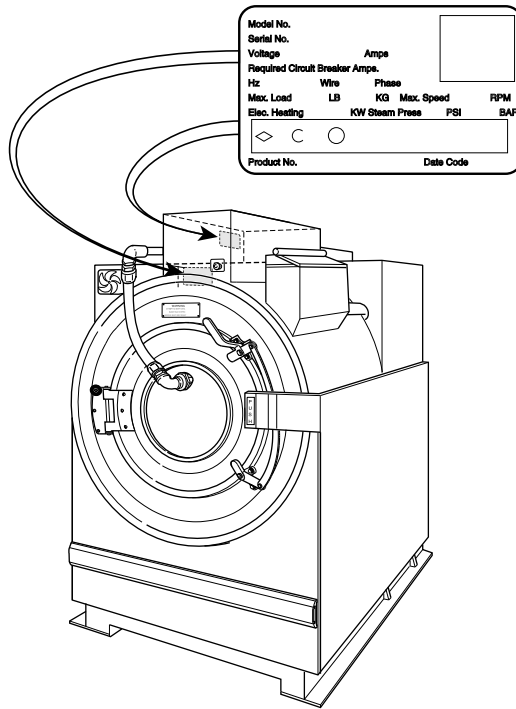
If literature or replacement parts are required, contact the source from whom the machine was purchased or contact Alliance Laundry Systems at (920) 748-3950 for the name and address of the nearest authorized parts distributor.

For technical assistance, call either of the numbers listed below:

(920) 748-3121 Ripon, Wisconsin
+32 56 41 20 54 Wevelgem, Belgium

Nameplate Location

When calling or writing about your product, be sure to mention model and serial numbers. Model and serial numbers are located on nameplate(s) as shown.



PHM3110P_F8149101

Model Identification

Information in this manual is applicable to these washer-extractor models:

UW60TV

UWL060K12
UWL060K1L
UWL060K1M
UWL060T3L
UWL060T3M
UWL060T3V

UWN060K12
UWN060K1L
UWN060K1M
UWN060K1V
UWN060T3L
UWN060T3M
UWN060T3V

UWU060K12
UWU060K1L
UWU060K1M
UWU060T3L
UWU060T3M
UWU060T3V

Pocket Hardmount Washer-Extractor Product Overview - Model UW60TV

Model No. **UW60AMXUB0001**

Serial No. **00000000000**

Voltage **200 – 240** Amps **10**

Circuit Breaker **15 Amps**

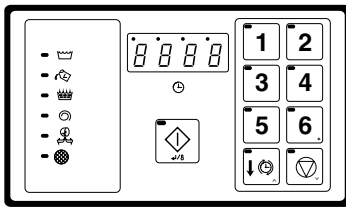
Hz **50 – 60** Wire **2/3** Phase **S 3**

Max. Load **60 LB** **27 KG** Max. Speed **594 RPM**

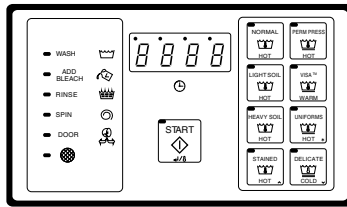
Elec. Heating **N/A** Steam Press. **N/A PSI** **0.0 BAR**

Drawings:

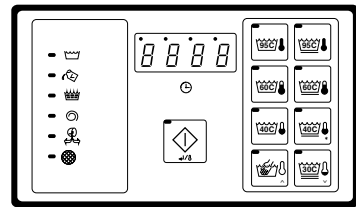
ETL Listed
 Conforms To ANSI/UL Std. 1206, 3rd Ed
 Certified To CAN/CSA Std. C22.2 No.53-1968



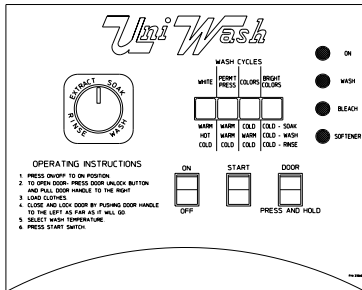
A-Control



B-Control (Domestic)



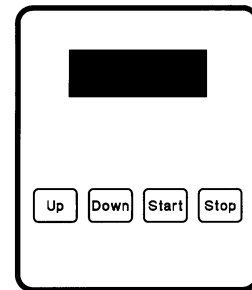
B-Control (International)



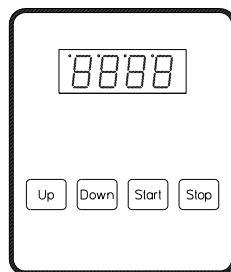
Mechanical Timer



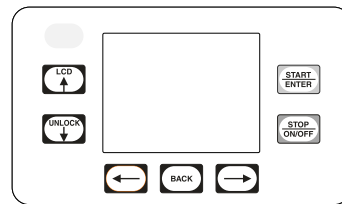
WE-6 Control



S-Computer



V-Computer



UniLinc Control

PHM2979P_F8149101

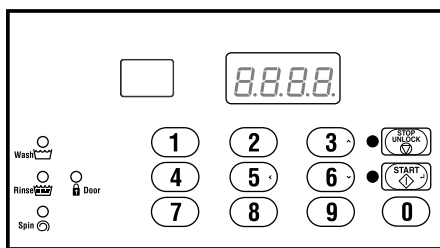
Pocket Hardmount Washer-Extractor Product Overview - Model UW60TV

REF	PART NO.	DESCRIPTION	COMMENTS
1	-	Product Family	UW
2	-	Capacity (Pounds)	35 60 80 100 125 150
3	-	Control	A (A-Control) B (B-Control) M (Mechanical Timer) P (WE-6 Control) S (S-Computer) V (V-Computer) T (UniLinc Control)
4	-	Speed	2 (2-Speed) 3 (3-Speed) 4 (4-Speed) V (Variable-Speed)
5	-	Voltage	F (440-480/60/3/3) N (440-480/50-60/3/3) O (208-240/60/3/3) P (380-415/60-60/3/3) Q (200-208/220-240/50/60/3ph) R (380-415/440-480/50/60/3ph) X (200-220/220-240/50/60/1-3) Y (208-240/60/1/2)
6	-	OEM	U (Standard Specs)
7	-	Design Series	1-8

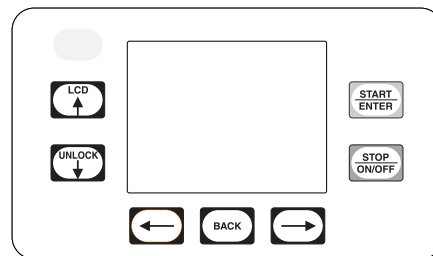
Pocket Hardmount Washer-Extractor Product Overview - UWL060, UWN060 and UWU060 Models

Model No. **UWN060T3VXU1001**
 Serial No. **00000000000**
 Voltage **200 – 240** Hz **50-60** Phase **3**
 Number of wires : **3** FLA : **19** amps
 Circuit Breaker Size : **30** amps
 Max. Load : **60** LB **27** KG
 Schematic :
 Supply Water: **30 - 85** psi, **2 - 5.7** BAR

Alliance
Laundry Systems



M30 Control



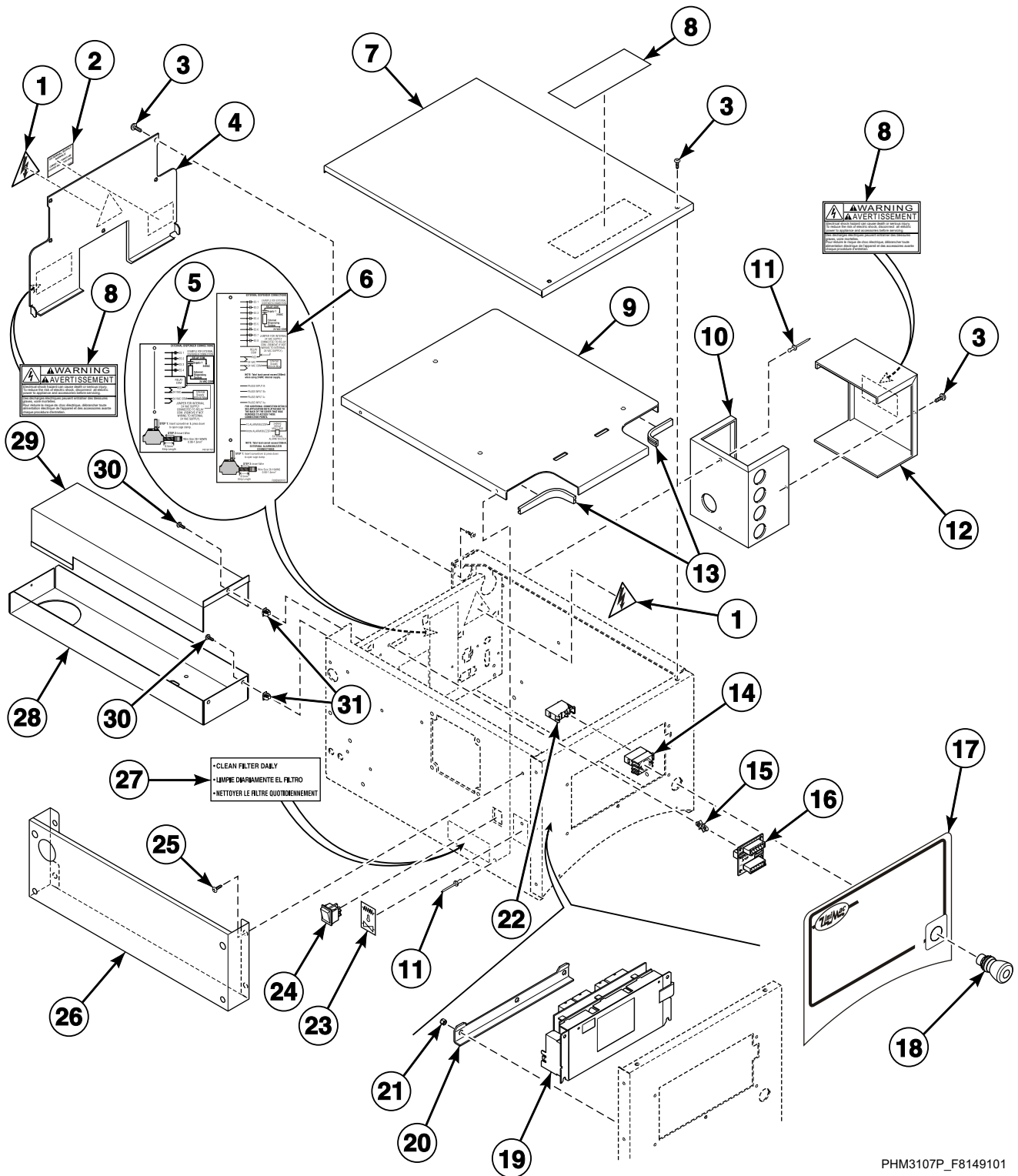
UniLinc Control

PHM3063P_F8149101

Pocket Hardmount Washer-Extractor Product Overview - UWL060, UWN060 and UWU060 Models

REF	PART NO.	DESCRIPTION	COMMENTS
1	-	Product Family	UW
2	-	Market Approvals	N (Domestic ETL) L (International ETL) U (International CE)
3	-	Capacity (Dry Weight in Pounds)	035 060 080 100 125 150
4	-	Control	K (M30 Control) T (UniLinc Control)
5	-	Spray/Dispenser Feature	1 (No spray but with dispenser) 3 (With spray and dispenser)
6	-	Speed	2 (2-Speed) L (Low-Speed - 100/60) M (Medium-Speed - 180/120/60) V (Variable-Speed - 300/240/180/120/60)
7	-	Voltage	O (208/220-240/60/3/3) X (200-208/220/240/50/60/1/3) Q (200-208/220-240/50/60/3) R (380-415/440-480/50/60/3)
8	-	OEM	U
9	-	Design Series	1
10	-	Heat Feature	0 (Prep for steam) D (Direct steam) E (Electric heat) P (Prep for electric and steam heat)
11	-	Features and Options	

Control Module (Drawing 1 of 3)

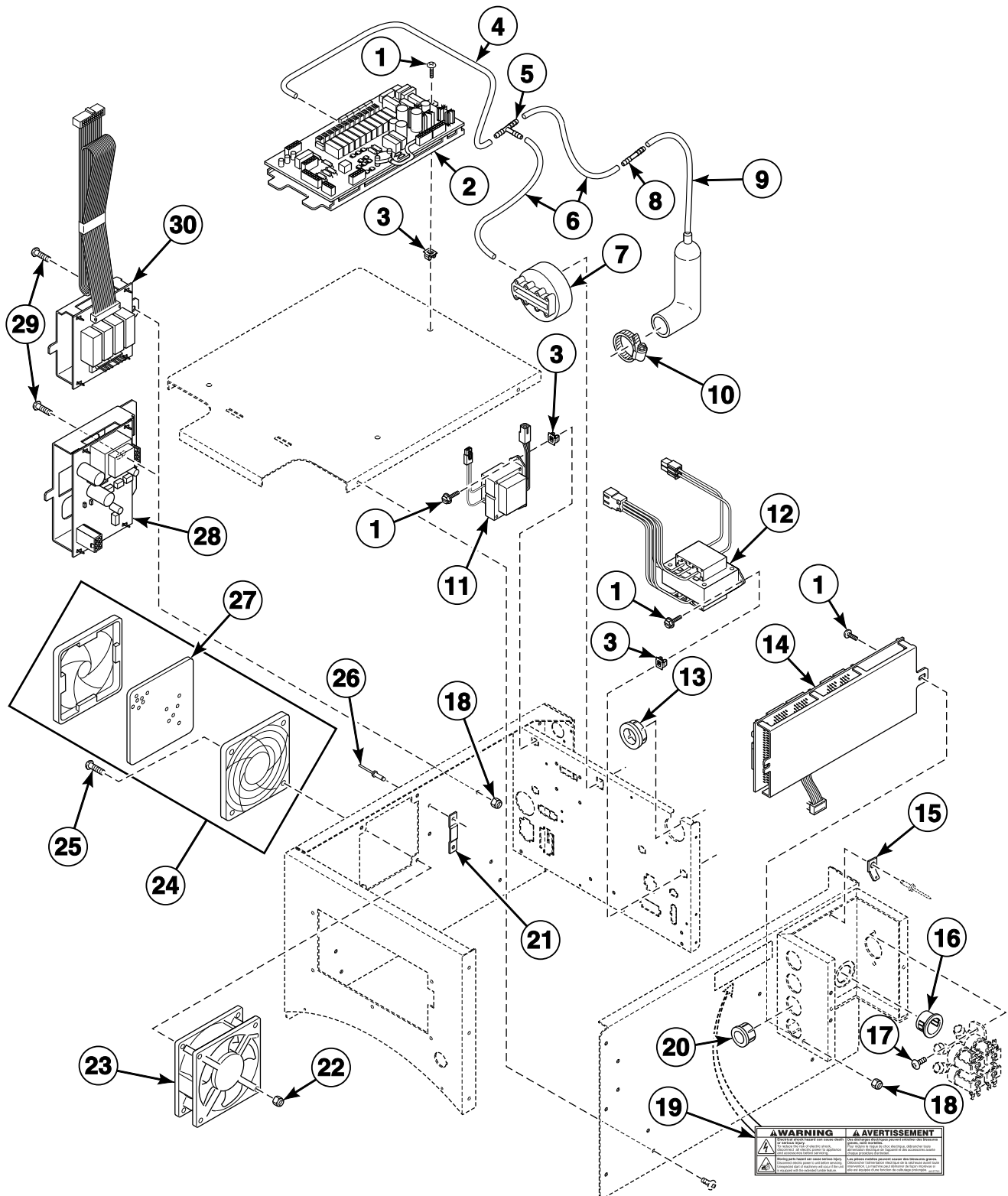


PHM3107P_F8149101

Control Module (Drawing 1 of 3)

REF	PART NO.	DESCRIPTION	COMMENTS
	F8028701	Output/Logic Harness	
1	502511	Electrical Shock Label	
2	F8150201	External Supply Connection Decal	
3	F430174	Screw	
4	F8170501	Control Box Rear Panel	
5	F8161701	External Supply Label	Models with a K in the 7th position
6	F8059801	External Supply Connection Decal	Model UW60TV and models with a T in the 7th position
7	F8170601	Control Box Top Panel	
8	F8233501	Warning Label	Shock
9	F8055001	Control Box Contactor Panel	
10	F8055301	External Supply Box	Models through 10/3/10
11	F431210	Pop Rivet	Models through 10/3/10
12	F635365	External Supply Box Cover	Models through 10/3/10
13	F8152701	Trim	
14	F200233401	Contact Block Switch	
	F8060501	Emergency Stop Harness	
15	210098	PC Board Standoff	Network models
16	210095P	Communication Board	Network models
	NK205	Network Retrofit Kit	Includes item 15, 201341 Network Board Assembly, 210099 Communication Connector, 430497 Screw, 44088501 Network Wire Harness Assembly and 800246 Communication Wire Harness Assembly
	NK220	Network Controller Kit	Network models
	NK301	Wireless Network Kit	Includes 202335 Wireless Tranceiver Assembly, 44088501 Network Wire Harness Assembly, 501441 Electronic Control Shield, 55881 Harness Strap, 503661 Screw, F430903 Screw and F430232 Nut
	NK320	Ethernet Gateway Kit	Used with NK301 Wireless Network Kit
	NK330	USB Gateway Kit	Used with NK301 Wireless Network Kit
17	F8297101	Overlay	Models with a K in the 7th position
	F8427001	Control Module Decal	All other models
18	F200233500	Emergency Stop Pushbutton	
19	F983P3	Control Kit	Models with a K in the 7th position
	F982P3	Control Kit	All other models
20	F8036101	Control Board Bracket	
21	685846	Nut	
22	F8069501	Contact Switch	
23	F8368301	Steam-Electric Switch Label	Dual heat
24	F8367701	Rocker Switch	Dual heat
25	F430903	Screw	
26	F8103001	Supply Controls Bracket	Models through 6/30/08
27	F200061000	Clean Filter Daily Decal	
28	F8073002	Control Harness Tray	Models through 10/3/10
	F8290303	Control Harness Tray	Models starting 10/4/10
29	F8073102	Harness Tray Cover	Models through 10/3/10
	F8290803	Harness Tray Cover	Model starting 10/4/10
30	F8117601	Screw	
31	70030501	Expansion Clip	

Control Module (Drawing 2 of 3)

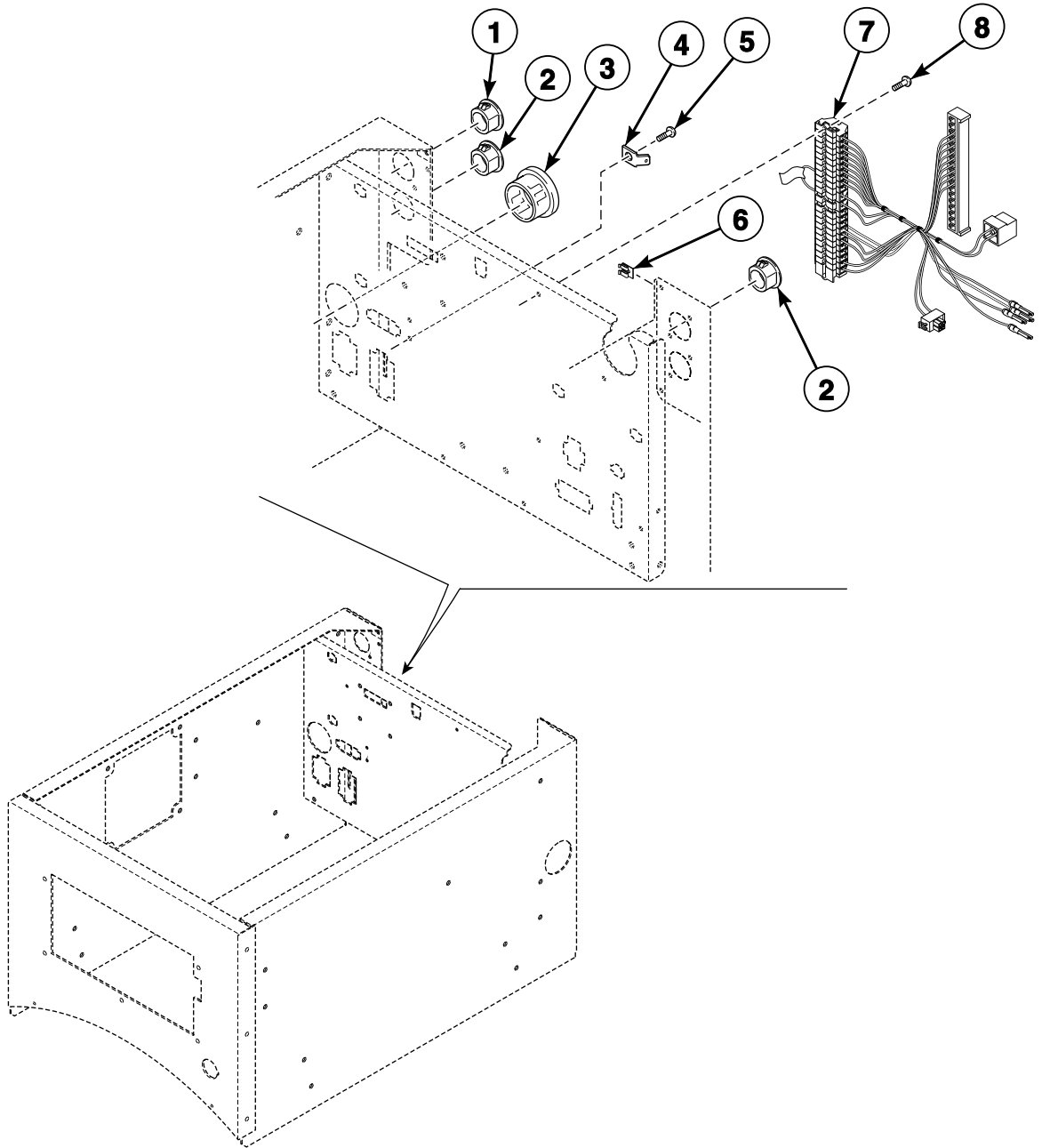


PHM3035P_F8149101

Control Module (Drawing 2 of 3)

REF	PART NO.	DESCRIPTION	COMMENTS
	F8028109	CFG Harness	
	44088501P	Network Wire Harness Assembly	
	F8028401	Output Auxiliary Power Harness	
	F8367801	Power Harness	Dual heat
	F8060401P	Power Harness	All other models
	F8173701P	Control Harness	Models with a 2 in the 9th position
	F8030101P	Drive Control Harness	Model UW60TV and models with an L, M or V in the 9th position
	F8158801P	Interlock Switch Harness	Models with a K in the 7th position
	F8030501P	Interlock Switch Harness	Model UW60TV and models with a T in the 7th position
	M413506	Jumper Harness Assembly	208 Volt
	M413507	Jumper Configuration Assembly	240 Volt
1	F8117601	Screw	
	F8206901	Screw	All other models
2	F980P3	Control Assembly Kit	
	802492	Fuse	5 Amp
	802493	Fuse	2.5 Amp
3	70030501	Expansion Clip	
4	F8153901	Tubing	
5	F8246601	Tee	
6	F8339601	Tubing	
7	F8223001P	Water Pressure Switch	
8	F422500	Connector	
9	F020014200	Air Trap Hose	
10	F200222	Hose Clamp	No. 12
11	201616	Transformer	External supply
12	210019P	Transformer Kit	Machine control voltage
13	70346501	Bushing	
14	F8108501P	Output Assembly	
15	00177	Male Tab Terminal	Models through 10/3/10
16	F430948	Screw	Models through 10/3/10
17	M405340	Snap Bushing	Models through 10/3/10
18	F430232	Nut	
19	44127701	Warning Label	Disconnect power
20	F140938	Snap Bushing	Models through 10/3/10
21	F8079401	Network Board Bracket	
22	F430231	Nut	
23	F110110	Muffin Fan	
24	F220900	Filter Retainer Guard	Includes item 25
25	F430910	Screw	
26	F431210	Pop Rivet	
27	F200318900P	Filter	
28	201341	Network Board Assembly	Network models
29	F430903	Screw	
30	F8189401	Auxiliary Control Assembly	Models with a K in the 7th position

Control Module (Drawing 3 of 3)

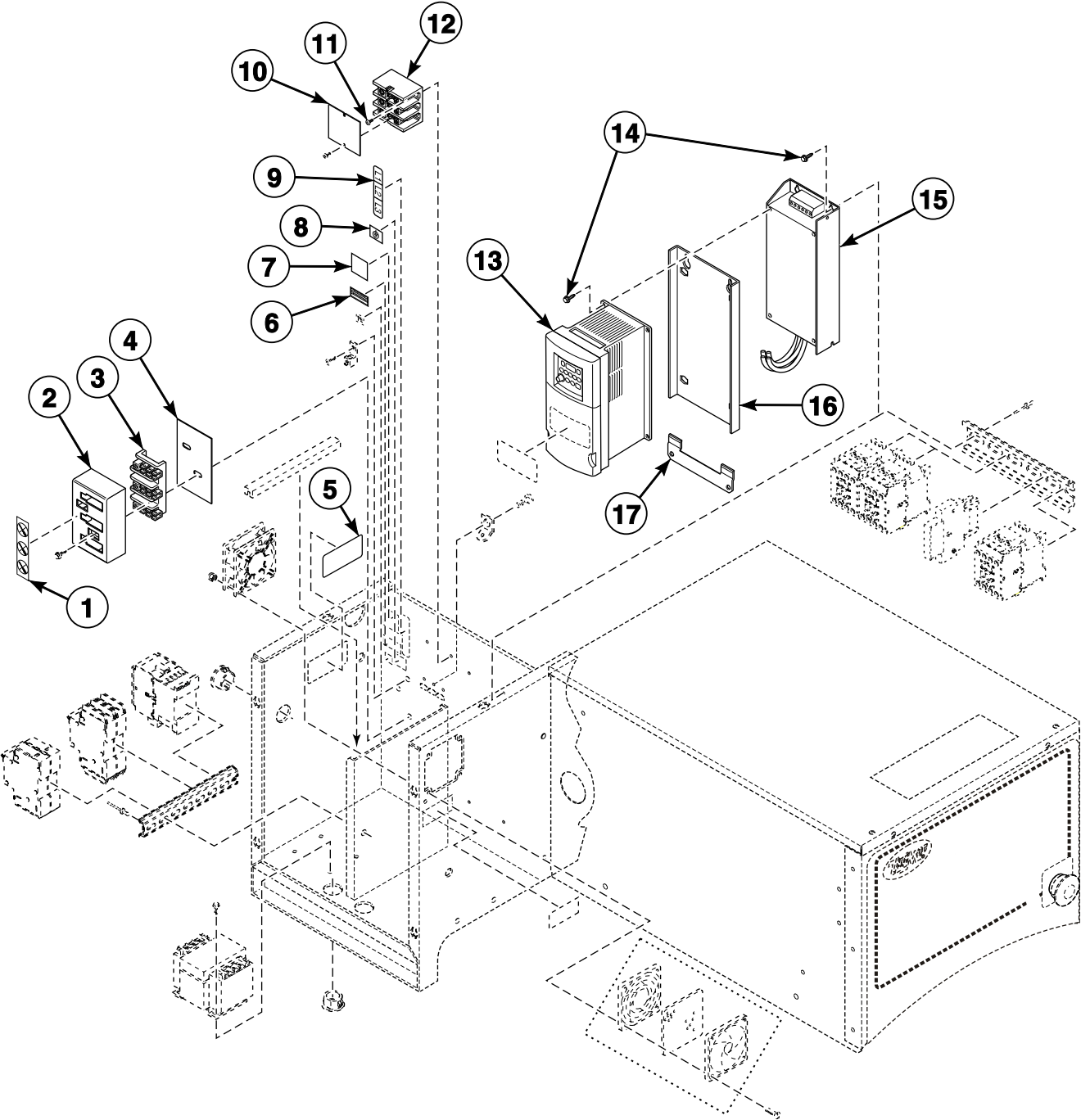


PHM3111P_F8149101

Control Module (Drawing 3 of 3)

REF	PART NO.	DESCRIPTION	COMMENTS
1	F180486	Cap Plug	Model UW60TV
	F8223901	Plug	All other models
2	F140527	Plug	Model UW60TV
	M400985	Plug	All other models
3	M402542	Snap Bushing	
4	00117	Female Pin Terminal	
5	51780	Screw	
6	M400984	Clip	
7	F8191201P	External Supply Harness	Models with a K in the 7th position
	F8029501P	External Supply Harness	All other models
8	F8136601	Screw	

AC Drive Box (Drawing 1 of 2)

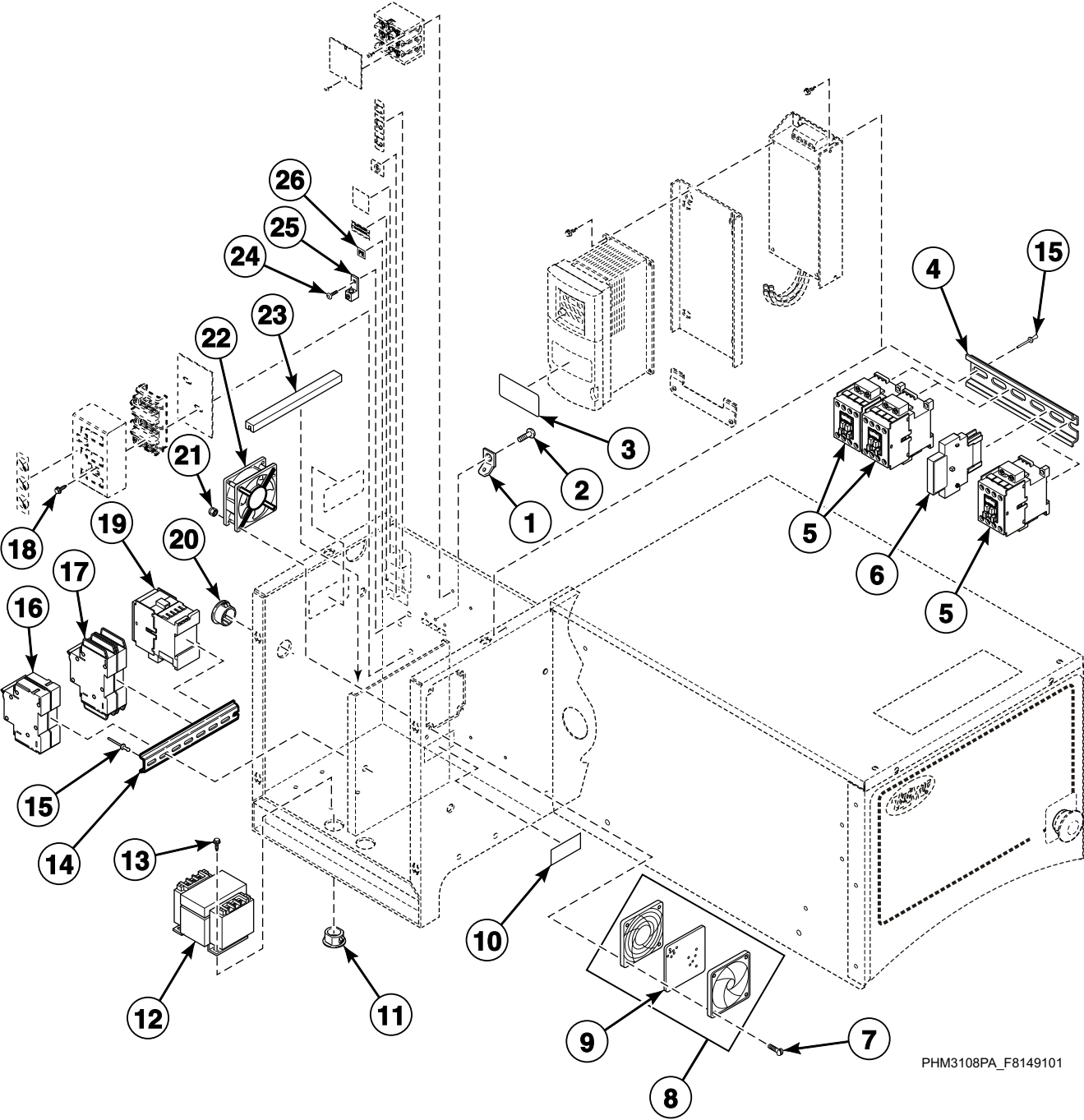


PHM3108P_F8149101

AC Drive Box (Drawing 1 of 2)

REF	PART NO.	DESCRIPTION	COMMENTS
	F8054601	Electric Heat Harness	Left
	F8054602	Electric Heat Harness	Middle
	F8054603	Electric Heat Harness	Right
	F8060001	Logic Supply Power Harness	
	F8060301	Main Power Harness	
	F8054901	Electric Heat Coils Harness	KM8A
	F8054903	Electric Heat Coils Harness	KM8ABL
1	F8345901	Do Not Tamper Label	
2	70333001	Terminal Block Shield	
3	430642	Terminal Block	
4	M413862	Insulator	
5	44127701	Warning Label	Shock/pinch
6	F8242201	Use Copper Conductors Only Caution Label	
7	F230630	Ground Decal	
8	F230739	Ground Decal	
9	70218701	Wire Label	
10	44014901P	Power Distribution Block Cover	Electric heat
11	39733	Screw	Electric heat
12	M413865	Terminal Block	Electric heat
13	F8169603	AC Drive	X and Q-voltage; Model UW60TV and models with a V in the 9th position
	F8169604	AC Drive	R-voltage; Model UW60TV and models with a V in the 9th position
	F8169664	AC Drive	X and Q-voltage; Models with an M in the 9th position
	F8169661	AC Drive	R-voltage; Models with an M in the 9th position
	F8169665	AC Drive	X and Q-voltage; Models with an L in the 9th position
	F8027802	Drive Power Harness	Model UW60TV and models with an L, M or V in the 9th position
	F8030201P	Drive Control Harness	Model UW60TV and models with an L, M or V in the 9th position
14	M411072	Screw	
15	F8053901P	EMI Filter	CE models; Q and X-voltage; Model UW60TV and models with an L, M or V in the 9th position
	F8053902	EMI Filter	CE models; R-voltage; Model UW60TV and models with an L, M or V in the 9th position
	F8129001	EMI Filter Power Harness	Model UW60TV and models with an L, M or V in the 9th position
16	F8386901	Drive Mounting Bracket	Models starting 10/4/10; Used when filter (item 15) is not present
17	F8322402	Drive Bracket	Models starting 10/4/10

AC Drive Box (Drawing 2 of 2)

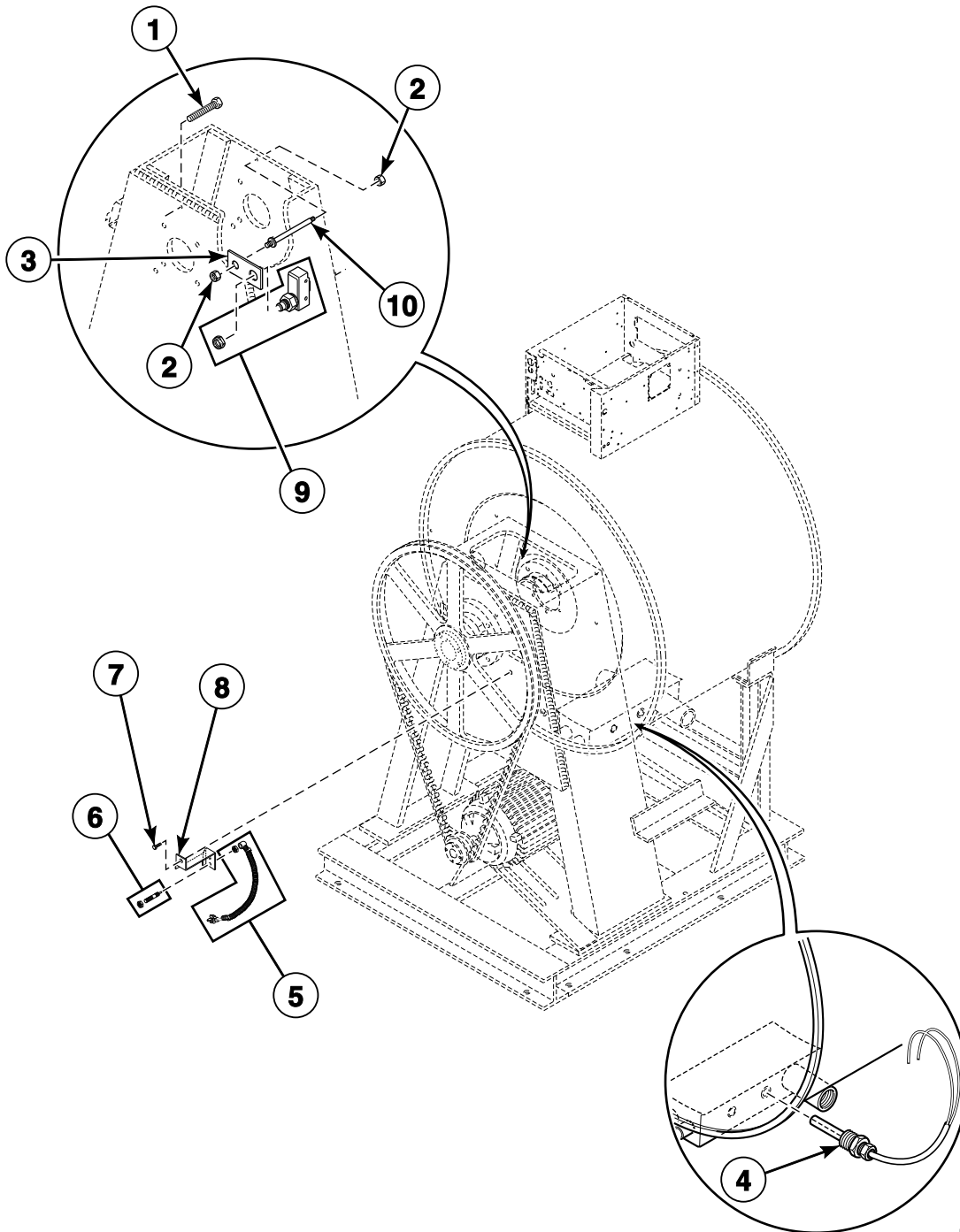


PHM3108PA_F8149101

AC Drive Box (Drawing 2 of 2)

REF	PART NO.	DESCRIPTION	COMMENTS
1	M411283	Ground Lug Connector	
2	F430903	Screw	
3	F8115501	Electric Shock Danger Label	
4	F8200101	DIN Rail	Models with a 2 in the 9th position
5	F330177P	Contactor	C16; Models with a 2 in the 9th position
	44136801	Reversing Contactor Jumper Assembly	Upper; Models with a 2 in the 9th position
	F8131801	Reversing Contactor Harness	Lower; Models with a 2 in the 9th position
	F8202001P	Contactor Power Harness	Models with a 2 in the 9th position
6	F330186P	Interlock Contactor	Models with a 2 in the 9th position
7	F8151201	Screw	Model UW60TV and models with an L, M or V in the 9th position
8	F220900	Filter Retainer Guard	Includes item 9; Model UW60TV and models with an L, M or V in the 9th position
9	F200318900P	Filter	Model UW60TV and models with an L, M or V in the 9th position
10	F200061000	Clean Filter Daily Decal	
11	F8144101	Plug	Model UW60TV
	F8223901	Plug	All other models
12	F360157P	Transformer	R-voltage; Model UW60TV and models with an L, M or V in the 9th position
13	M411072	Screw	Model UW60TV and models with an L, M or V in the 9th position
14	F8134001	DIN Rail	Model UW60TV and models with an L, M or V in the 9th position
15	70058501	Pop Rivet	
16	F8303001P	Circuit Breaker	R-voltage; Electric heat; Model UW60TV and models with an L, M or V in the 9th position
	70256901P	Circuit Breaker	Q and R-voltage; Electric heat; Model UW60TV and models with an L, M or V in the 9th position
	F8030001	Harness	Used with F350216 Circuit Breaker; Model UW60TV and models with an L, M or V in the 9th position
	F8030002P	Harness	Used with F350216 Circuit Breaker; Model UW60TV and models with an L, M or V in the 9th position
	F8405101	Step Down Power Harness	Used with 70256901P Circuit Breaker; Model UW60TV and models with an L, M or V in the 9th position
17	F8303001P	Circuit Breaker	R-voltage; Model UW60TV and models with an L, M or V in the 9th position
18	M412105	Screw	Model UW60TV
	51783	Screw	All other models
19	F330188P	Contactor	NX208; Q and R-voltage; Electric heat; Model UW60TV and models with an L, M or V in the 9th position
20	M402542	Snap Bushing	Model UW60TV
	F8223801	Hole Plug	All other models
21	F430231	Nut	Model UW60TV and models with an L, M or V in the 9th position
22	F110110	Muffin Fan	Model UW60TV and models with an L, M or V in the 9th position
	F8113901	Drive Fan Harness	Model UW60TV and models with an L, M or V in the 9th position
23	F8152703	Trim	
24	51780	Screw	
25	00177	Male Tab Terminal	
26	M412096	Earth Terminal Sticker	

Balance Switch, Temperature Probe and Rotation Sensor

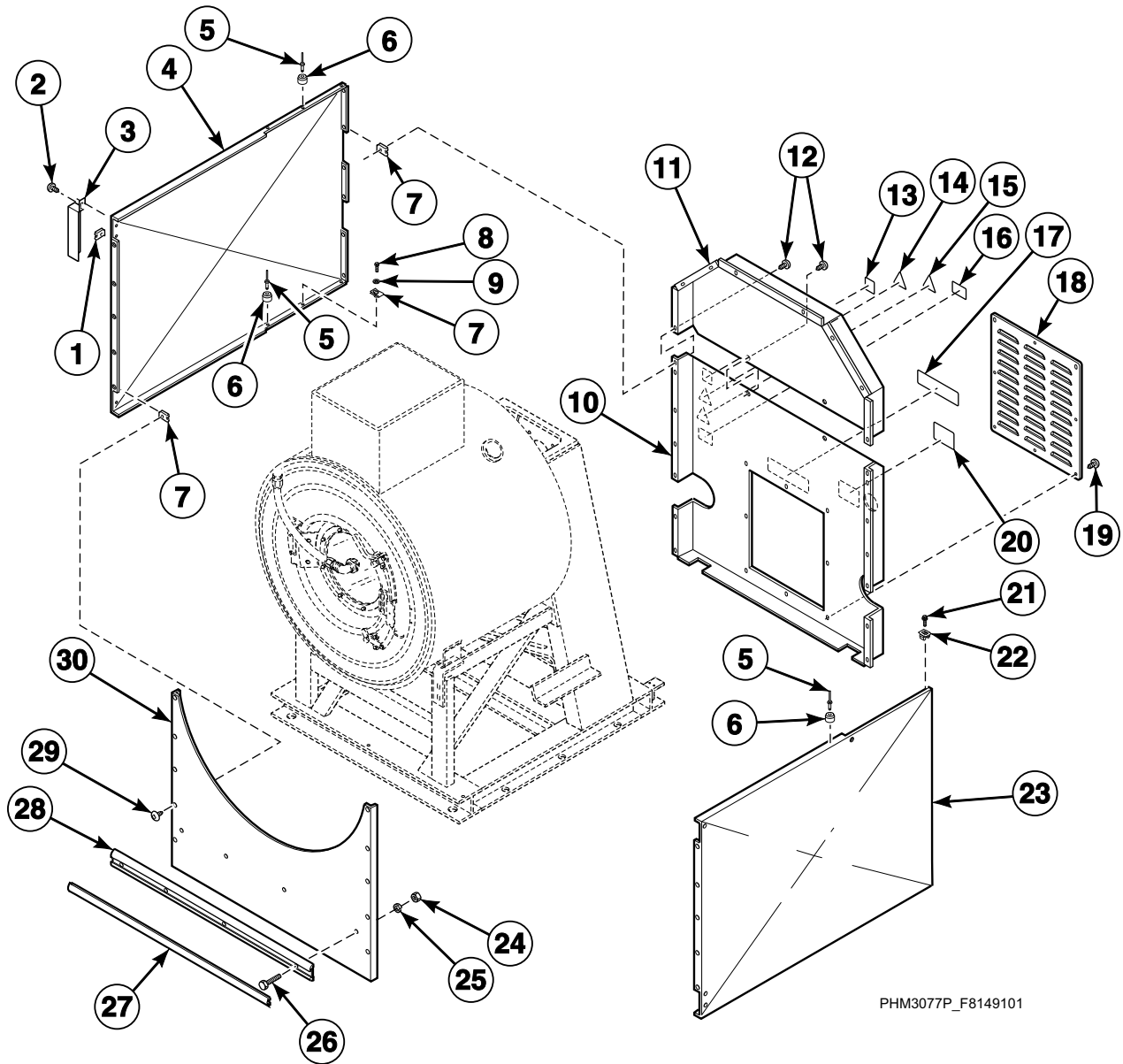


PHM2987P_F8149101

Balance Switch, Temperature Probe and Rotation Sensor

REF	PART NO.	DESCRIPTION	COMMENTS
1	F8111101	Screw	
2	44087301	Nut	
3	F8124301	Balance Switch Bracket	
4	F370609	Thermistor Sensor	
	F421936	Reducer Bushing	
	F8028221P	Temperature Harness	Electric heat
	F8028223	Temperature Harness	Standard
5	F8066401	Rotation Sensor Harness	
6	F8066201	Rotation Sensor	
7	F430927	Screw	
8	F8103101	Rotation Sensor Bracket	
9	F8165201	Door Switch	
10	F8122701	Screw	

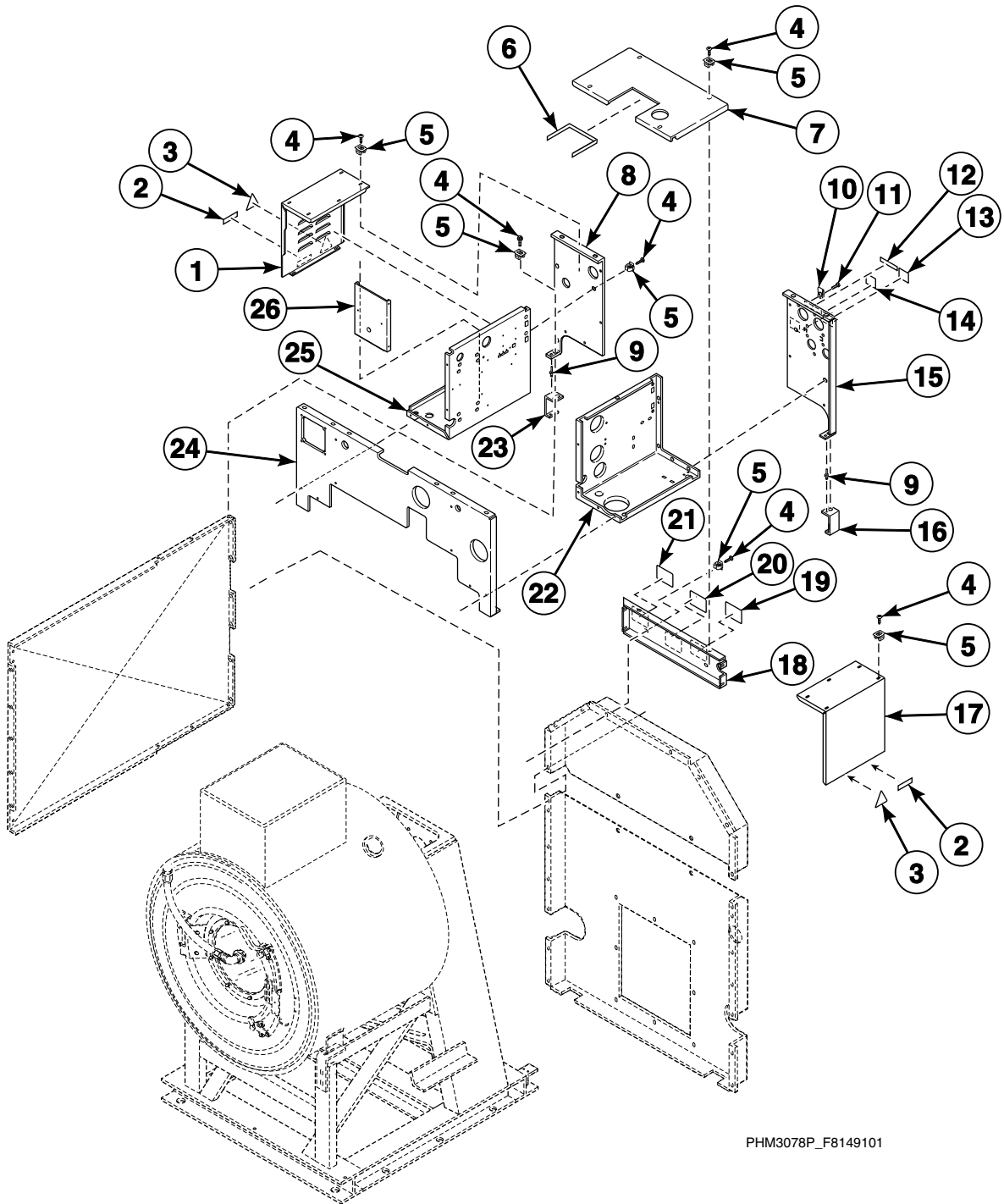
Panels



Panels

REF	PART NO.	DESCRIPTION	COMMENTS
1	F430264	Nut	
2	F430956	Screw	
3	F8098301	Side Panel Cover	
4	F8099602P	Left Side Panel	
5	M412763	Rivet	
6	56079	Panel Locator	
7	70030401	Nut	
8	20253	Screw	
9	M405535	Washer	
10	F8244201P	Belt Guard Assembly	Lower
11	F8244101	Belt Guard Assembly	Upper
12	F8117601	Screw	Model UW60TV
	F8206901	Screw	All other models
13	F200318200	Cover Decal	
14	70360901	Belt Edging	
15	502511	Electrical Shock Label	Model UW60TV
16	500049	Warning Label	
17	44127701	Warning Label	Shock/pinch
18	F8117501	Belt Access Guard Panel	
19	70240301	Screw	
20	F8246401	Mount on Concrete Warning Label	
21	M411072	Screw	
22	70030501	Expansion Clip	
23	F8099601P	Right Side Panel	
24	F430211	Nut	
25	F431100	Washer	
26	F430921	Screw	
27	F150397	Extrusion Insert	Order 4 feet
28	F150408	Rub Rail	
29	70182601	Screw	
30	F8096101P	Front Panel	

Drive Box and Water Supply Box - Models Through 10/3/10



PHM3078P_F8149101

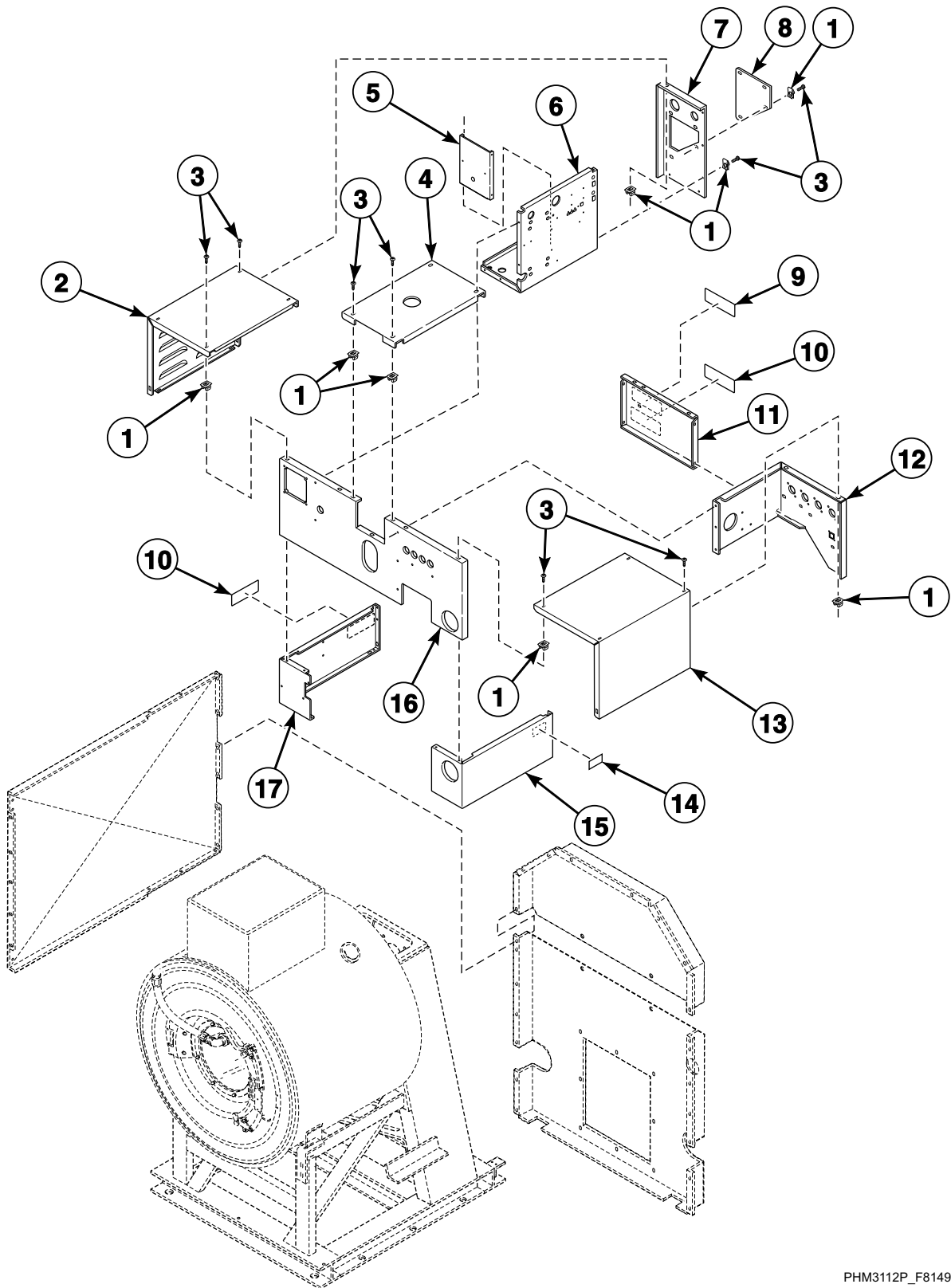
Drive Box and Water Supply Box - Models Through 10/3/10

REF	PART NO.	DESCRIPTION	COMMENTS
1	F8077202	Left Side Cover	Model UW60TV
	F8278102	Left Side Cover	All other models
2	F8233501	Warning Label	Shock
3	502511	Electrical Shock Label	Model UW60TV
4	F8117601	Screw	Model UW60TV
	F8206901	Screw	All other models
5	70030501	Expansion Clip	
6	F170404	Trim	Order 2 feet
7	F8099201	Top Center Panel	
8	F8118302	Rear Drive Box Panel	Model UW60TV
	F8278202	Drive Box Rear Panel	All other models
9	70058501	Pop Rivet	Models UWL060, UWN060 and UWU060
10	70030401	Nut	
11	20253	Screw	
12	F230734	Water Line Caution Decal	
13	N/A	Cold Water Label	
14	N/A	Hot Water Label	
15	F8118301	Rear Water Box Panel	Model UW60TV
	F8278201	Water Box Rear Panel	All other models
16	F8302601	Support Bracket	Water box; Models UWL060, UWN060 and UWU060
17	F8077201	Right Side Cover	Model UW60TV
	F8278101	Right Side Cover	All other models
18	F8099301	Top Support Brace	
19	F8099701	Conversion Label	200-208 VAC
	F8099801	Conversion Label	380-415 VAC
20	44127701	Warning Label	
21	F8211901	Hot Surface Warning Plate	
22	F8078601	Water Box Side/Front	Model UW60TV
	F8278401	Water Box Bottom Panel	All other models
23	F8302602	Support Bracket	Electrical box; Models UWL060, UWN060 and UWU060
24	F8099401	Front Box Cover	Model UW60TV
	F8278301	Front Bulkhead Panel	All other models
25	F8077401	Control Box Bottom	Model UW60TV
	F8282401	Drive Box Bottom Panel	All other models
26	F8077601	Control Box Partition	

N/A = Part no longer available

Drive Box and Water Supply Box - Models Starting 10/4/10

UWL, UWN and UWU Models

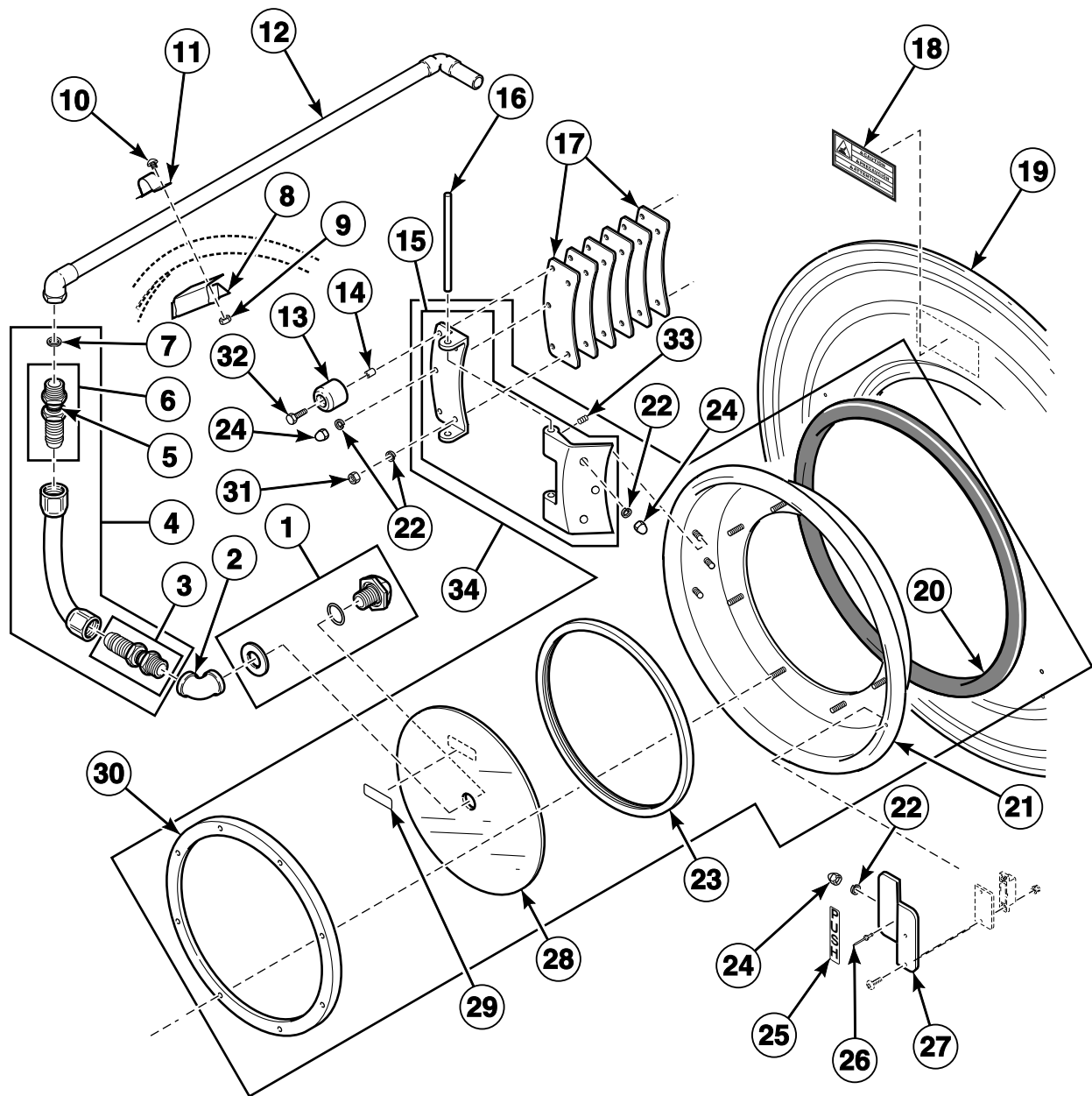


PHM3112P_F8149101

Drive Box and Water Supply Box - Models Starting 10/4/10

REF	PART NO.	DESCRIPTION	COMMENTS
1	70030501	Expansion Clip	
2	F8352602	Left Side Cover	
3	F8206901	Screw	
4	F8374101	Top Cover	
5	F8351801	Control Box Partition	
6	F8346401	Drive Mounting Box	
7	F8352401	Back Electrical Panel	
8	F8359201	Electrical Access Panel	
9	F8099701	Conversion Label	200-208 VAC
	F8099801	Conversion Label	380-415 VAC
10	44127701	Warning Label	
11	F8346501	Center Back Panel	
12	F8346301	Back Water Panel	
13	F8352601	Right Side Cover	
14	F8233501	Warning Label	Shock
15	F8359001	Side Water Box Panel	
16	F8346201	Front Bulkhead Panel	
17	F8352501	Side Electrical Panel	

Door and Spray Tube Assembly - Models Through 10/3/10



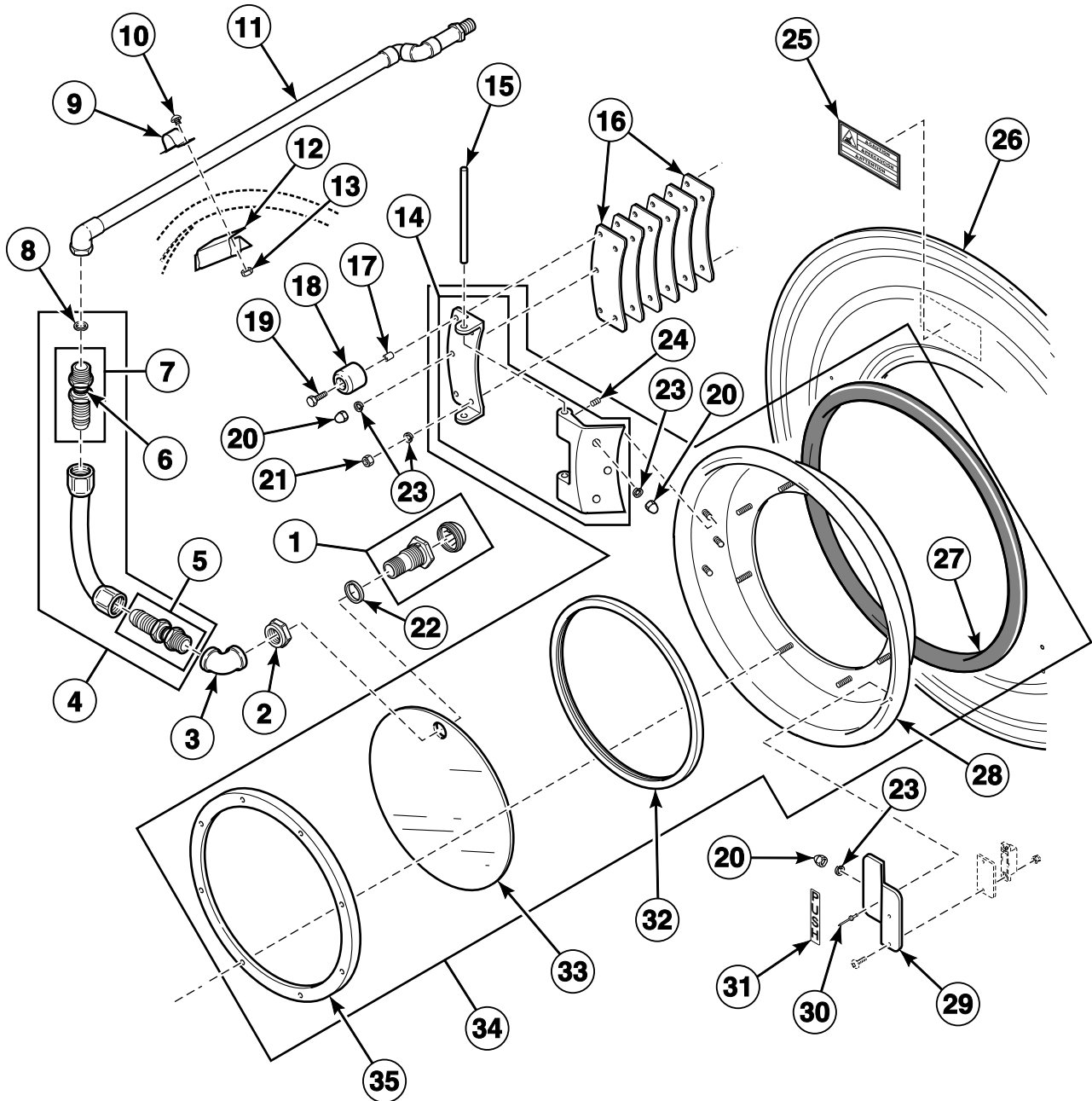
PHM2927P_F8149101

Door and Spray Tube Assembly - Models Through 10/3/10

REF	PART NO.	DESCRIPTION	COMMENTS
1	F730077	Spray Rinse Nozzle Kit	Model UW60TV and models with a 3 in the 8th position
2	F422319	Elbow	Model UW60TV and models with a 3 in the 8th position
3	F422109	No-Swivel Coupling	Model UW60TV and models with a 3 in the 8th position
4	F730026	Spray Rinse Hose Assembly	Includes items 3 and 5-7; Model UW60TV and models with a 3 in the 8th position
5	F170201	O-Ring	Model UW60TV and models with a 3 in the 8th position
6	F422108	Swivel Coupling	Model UW60TV and models with a 3 in the 8th position
7	F310206	Ring Retainer	Model UW60TV and models with a 3 in the 8th position
8	F602901P	Spray Rinse Bracket Assembly	Includes items 9 and 10; Model UW60TV and models with a 3 in the 8th position
9	F431022	Nut	Model UW60TV and models with a 3 in the 8th position
10	F430917	Screw	Model UW60TV and models with a 3 in the 8th position
11	F602880	Spray Rinse Strap	Model UW60TV and models with a 3 in the 8th position
12	F8126202	Spray Pipe Assembly	Model UW60TV and models with a 3 in the 8th position
13	F150366	Door Bumper Moulding	
14	F430416	Door Bumper Bushing	
15	F200030600P	Door Hinge Strap Kit	
16	F601815	Door Hinge Pin	
17	F0610695-00	Door Butt Shim	
18	F200085000	Hot Surface Warning Decal	
19	F8135801P	Shell Front Weldment	
	F200120000	Shell Front Assembly	Includes items 13-15, 17, 18, 22, 24, 31, F150201 Top Latch Bracket Casting, F150202 Lower Door Latch Bracket Casting, F150203 Door Handle Casting, F150204 Lower Door Latch Casting and F430939 Screw
20	F170145	Door Gasket	Black
	F017014501	Door Gasket	Gray
21	F730307	Door Kit	Studded
22	F431100	Washer	
23	F170117	Door Glass Gasket	
24	F431026	Nut	
25	F230303	Push Decal	
26	F431210	Pop Rivet	
27	F746201-1	Push Handle Kit	Includes item 25, F340703 Magnet, F430231 Nut, F430916 Screw, F431108 Washer, F431125 Washer, F603683 Door Push Brace and F607257 Push Handle
	F609427	Handle Weldment	
28	F290201P	Glass	Models with a 1 in the 8th position
	F290200P	Door Glass Kit	All other models
29	F230652	Clockwise Spin Rotation Decal	
30	F601239	Door Glass Retainer	
31	F431005	Nut	
32	F430103	Screw	
33	F430502	Screw	
34	F730539	Door Kit	Includes items 15, 20-25, 27-30, 33, F410102 Clear Sealant, F340703 Magnet, F430232 Nut, F430909 Screw and F603683 Door Push Brace; Model UW60TV and models with a 3 in the 8th position
	F200119600	Door Assembly	Includes items 15, 20-25, 27-30, 33, F340703 Magnet, F430213 Nut, F430916 Screw, F430108 Washer, F431125 Washer and F431217 Rivet; All other models

Door and Spray Tube Assembly - Models Starting 10/4/10

UWL, UWN and UWU Models

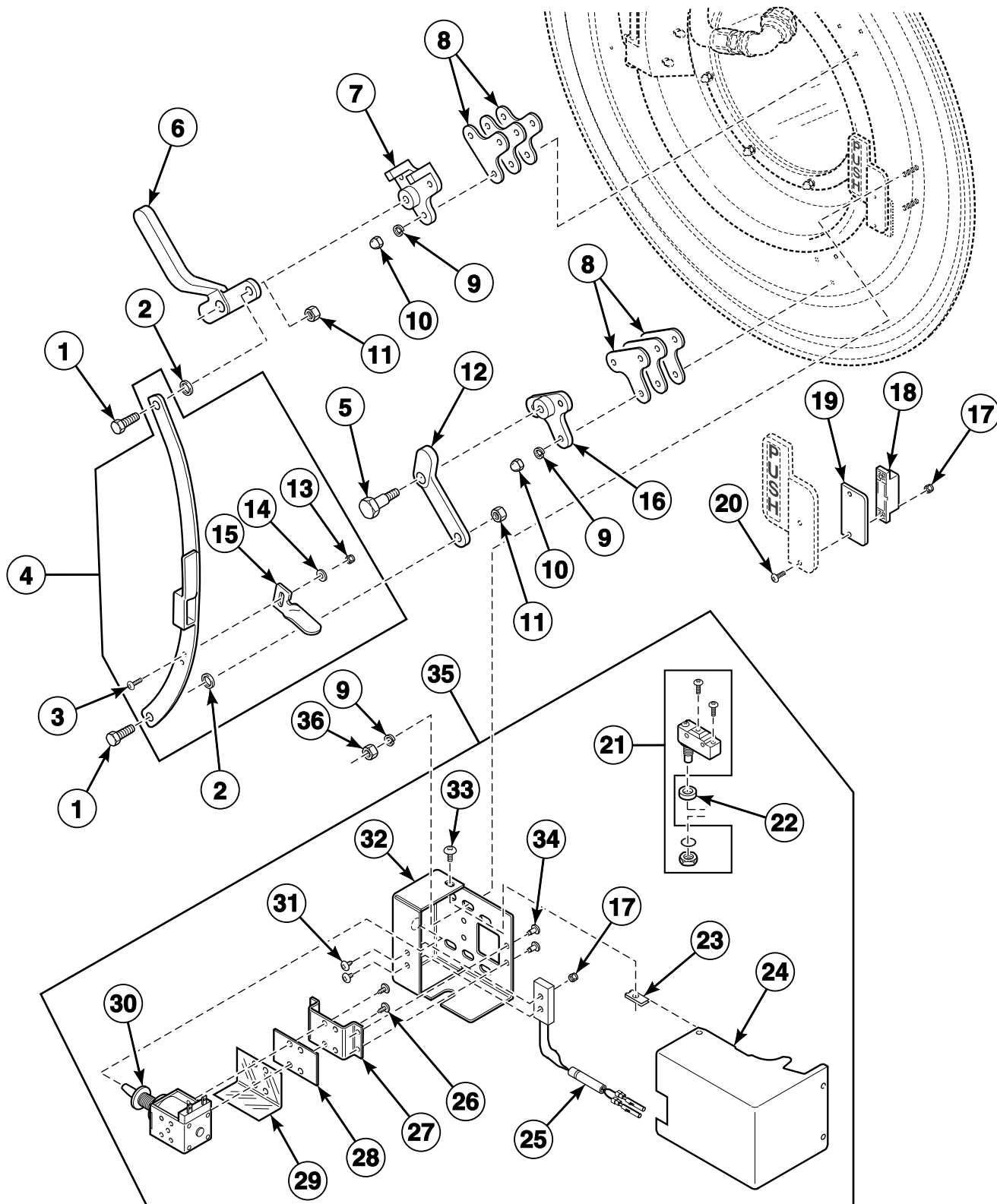


PHM3113P_F8149101

Door and Spray Tube Assembly - Models Starting 10/4/10

REF	PART NO.	DESCRIPTION	COMMENTS
1	F8356301	Door Spray Nozzle Assembly	Models with 3 in the 8th position
2	F8322601	Nut	Models with 3 in the 8th position
3	F422319	Elbow	Models with 3 in the 8th position
4	F8379701	Spray Rinse Hose Assembly	Includes items 5-8; Models with 3 in the 8th position
5	F422109	No-Swivel Coupling	Models with 3 in the 8th position
6	F170201	O-Ring	Models with 3 in the 8th position
7	F422108	Swivel Coupling	Models with 3 in the 8th position
8	F310206	Ring Retainer	Models with 3 in the 8th position
9	F602880	Spray Rinse Strap	Models with 3 in the 8th position
10	F430917	Screw	Models with 3 in the 8th position
11	F8126201	Spray Pipe Assembly	Models with 3 in the 8th position
12	F602901P	Spray Rinse Bracket Assembly	Includes items 10 and 13; Models with 3 in the 8th position
13	F431022	Nut	Models with 3 in the 8th position
14	F200030600P	Door Hinge Strap Kit	
15	F601815	Door Hinge Pin	
16	F0610695-00	Door Butt Shim	
17	F430416	Door Bumper Bushing	
18	F150366	Door Bumper Moulding	
19	F430103	Screw	
20	F431026	Nut	
21	F431005	Nut	
22	F8322701	Spray Nozzle Gasket	Models with 3 in the 8th position
23	F431100	Washer	
24	F430502	Screw	
25	F200085000	Hot Surface Warning Decal	
26	F8135801P	Shell Front Weldment	
	F200120000	Shell Front Assembly	Includes items 14, 16-18, 21, 23, 25, F150201 Top Latch Bracket Casting, F150202 Lower Door Latch Bracket Casting, F150203 Door Handle Casting, F150204 Lower Door Latch Casting and F430939 Screw
27	F170145	Door Gasket	Black
	F017014501	Door Gasket	Gray
28	F730307	Door Kit	Studded
29	F746201-1	Push Handle Kit	Includes item 31, F340703 Magnet, F430231 Nut, F430916 Screw, F431108 Washer, F431125 Washer, F603683 Door Push Brace and F607257 Push Handle
	F609427	Handle Weldment	
30	F431210	Pop Rivet	
31	F230303	Push Decal	
32	F170117	Door Glass Gasket	
33	F8350501P	High Hole Glass	Models with 3 in the 8th position
	F290201P	Glass	Models with 1 in the 8th position
34	F8350601	Door Assembly	Models with 3 in the 8th position; Includes items 20, 24, 27-29, 32 and 33
	F200119600	Door Assembly	Models with 1 in the 8th position; Includes items 14, 20, 23-24, 27-29, 31-33 and 35
35	F601239	Door Glass Retainer	

Door Lock

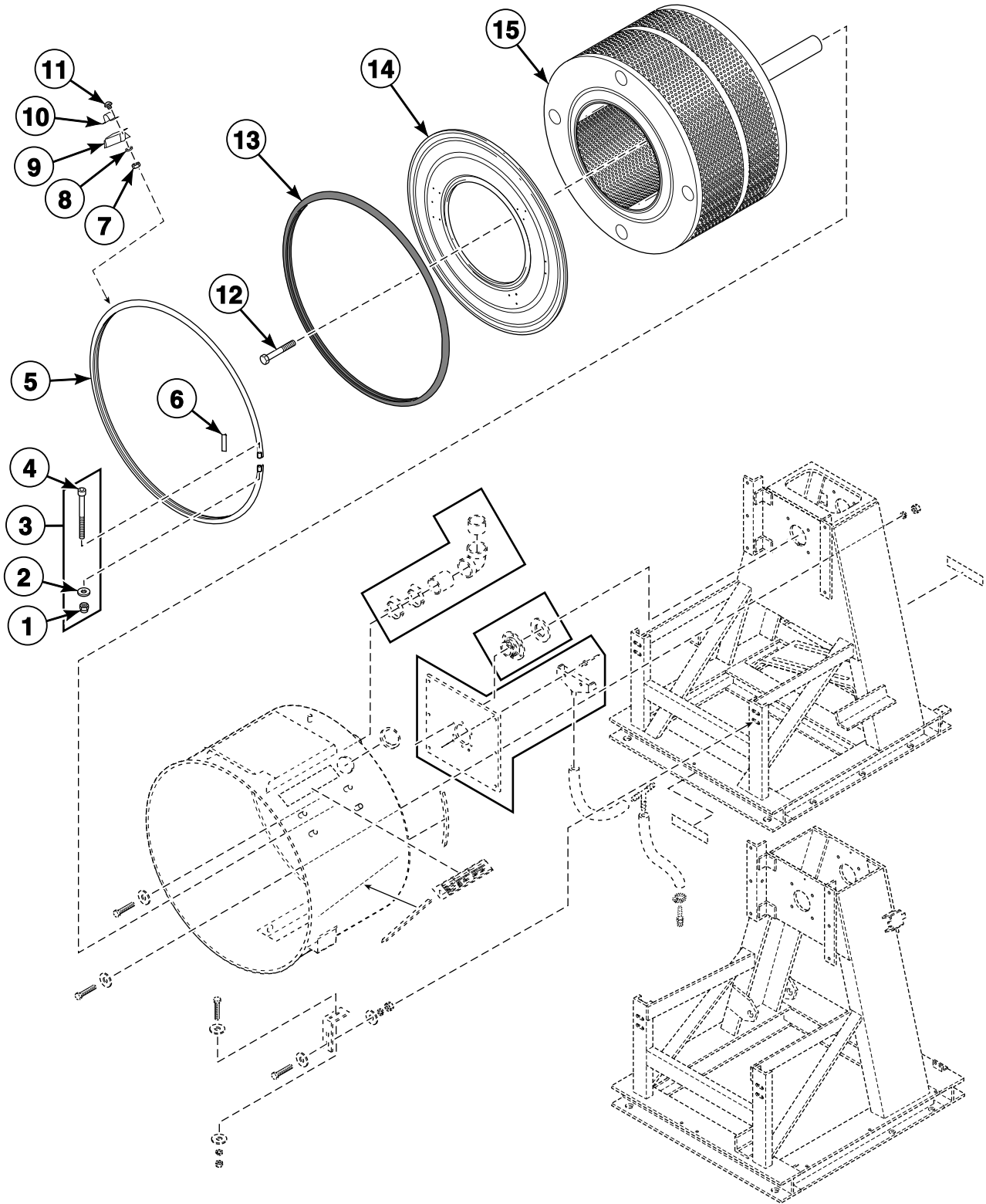


PHM3121P_F8149101

Door Lock

REF	PART NO.	DESCRIPTION	COMMENTS
	F8029102	Door Lock Harness	Models with a 2 in the 9th position
	F8029101	Door Lock Harness	All other models
1	F430927	Screw	
2	F431118	Washer	
3	F430916	Screw	
4	F746803	Extension Arm Kit	Includes items 3 and 13-15
5	F430168	Screw	
6	F150203	Door Handle Casting	
7	F150201P	Top Latch Bracket Casting	
8	F602058	Door Latch Bracket Shim	
9	F431100	Washer	
10	F431026	Nut	
11	F431011	Nut	
12	F150204	Lower Door Latch Casting	
13	F430231	Nut	
14	F431108	Washer	
15	F601639	Extension Arm Tab	
16	F150202	Lower Door Latch Bracket Casting	
17	F430231	Nut	
18	F8390801	Magnet	
19	F609822	Handle Spacer	
20	F430909	Screw	
21	F8165201	Door Switch	CE models
	F340900	Interlock Switch	All other models
22	F601055	Interlock Switch Spacer	
23	F430264	Nut	
24	F8127601	Door Lock Cover	
25	F8066801P	Reed Switch Assembly	
26	F430995	Screw	
27	F8127501	Solenoid Mount Bracket	
28	F8133601	Door Lock Solenoid Shim	
29	F8135301	Door Lock Dielectric Shield	
30	F300129P	Door Lock Solenoid	
31	F430917	Screw	
32	F8127401	Lock Bracket	
33	F430956	Screw	
34	F431210	Pop Rivet	
35	F8127701	Door Lock Assembly	Includes items 17 and 21-34
36	802337	Nut	

Basket

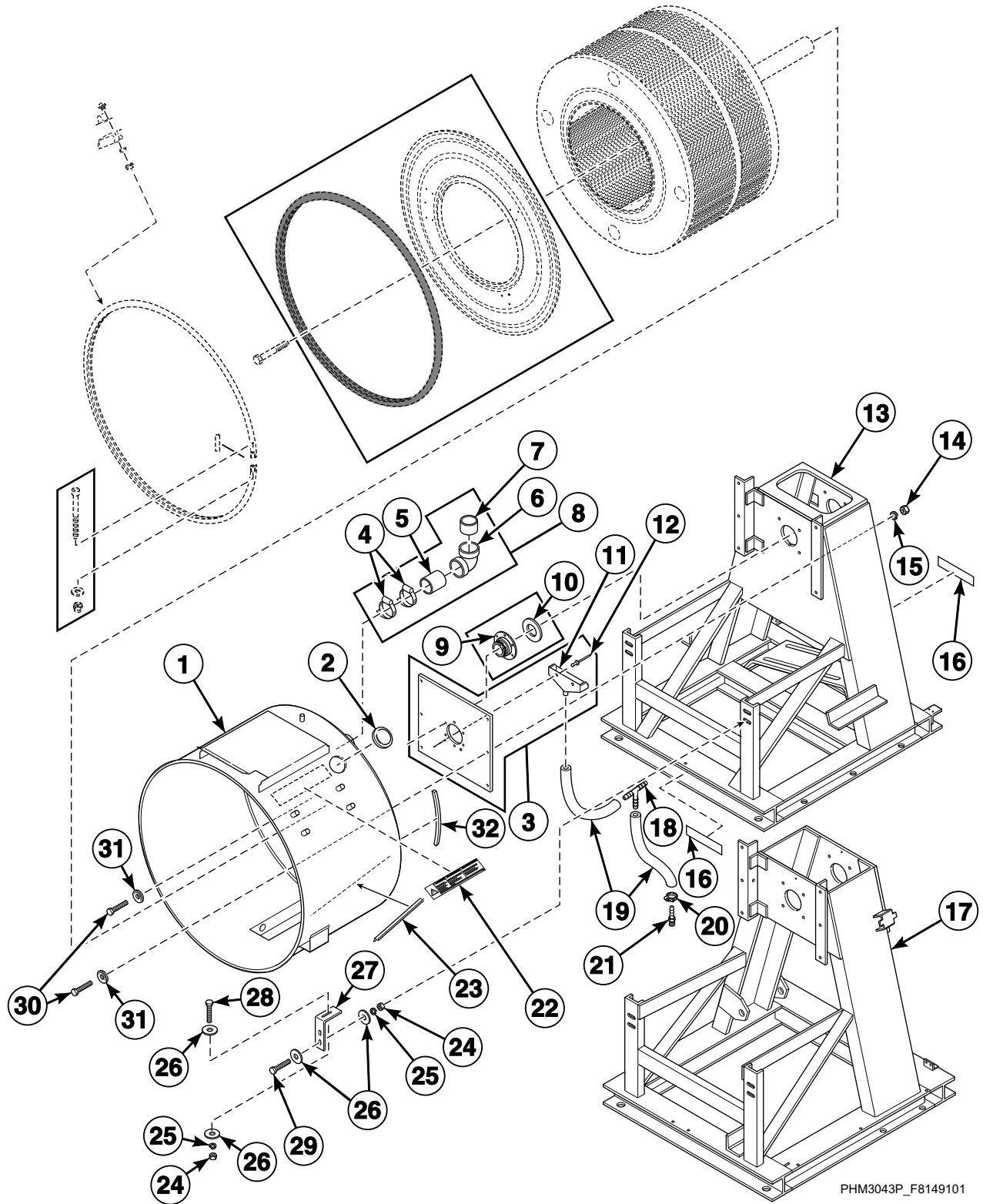


PHM3042P_F8149101

Basket

REF	PART NO.	DESCRIPTION	COMMENTS
1	F430215	Nut	
2	F430317	Washer	
3	F791001	Shell Band Fastener Kit	Includes items 1, 2 and 4
4	F430518	Screw	
5	F603344P	Shell Band Assembly	
6	F601216	Shell Gasket Shield	
7	F431022	Nut	
8	F431113	Washer	
9	F602901P	Spray Rinse Bracket Assembly	
10	F602880	Spray Rinse Strap	
11	F430917	Screw	
12	70391101	Screw	
13	F170120RP	Shell Band Gasket	Model UW60TV
	F8302001	Shell Band Gasket	All other models
14	F8135801P	Shell Front Weldment	
15	F632015	Basket Assembly	

Shell and Frame - Models Through 10/3/10

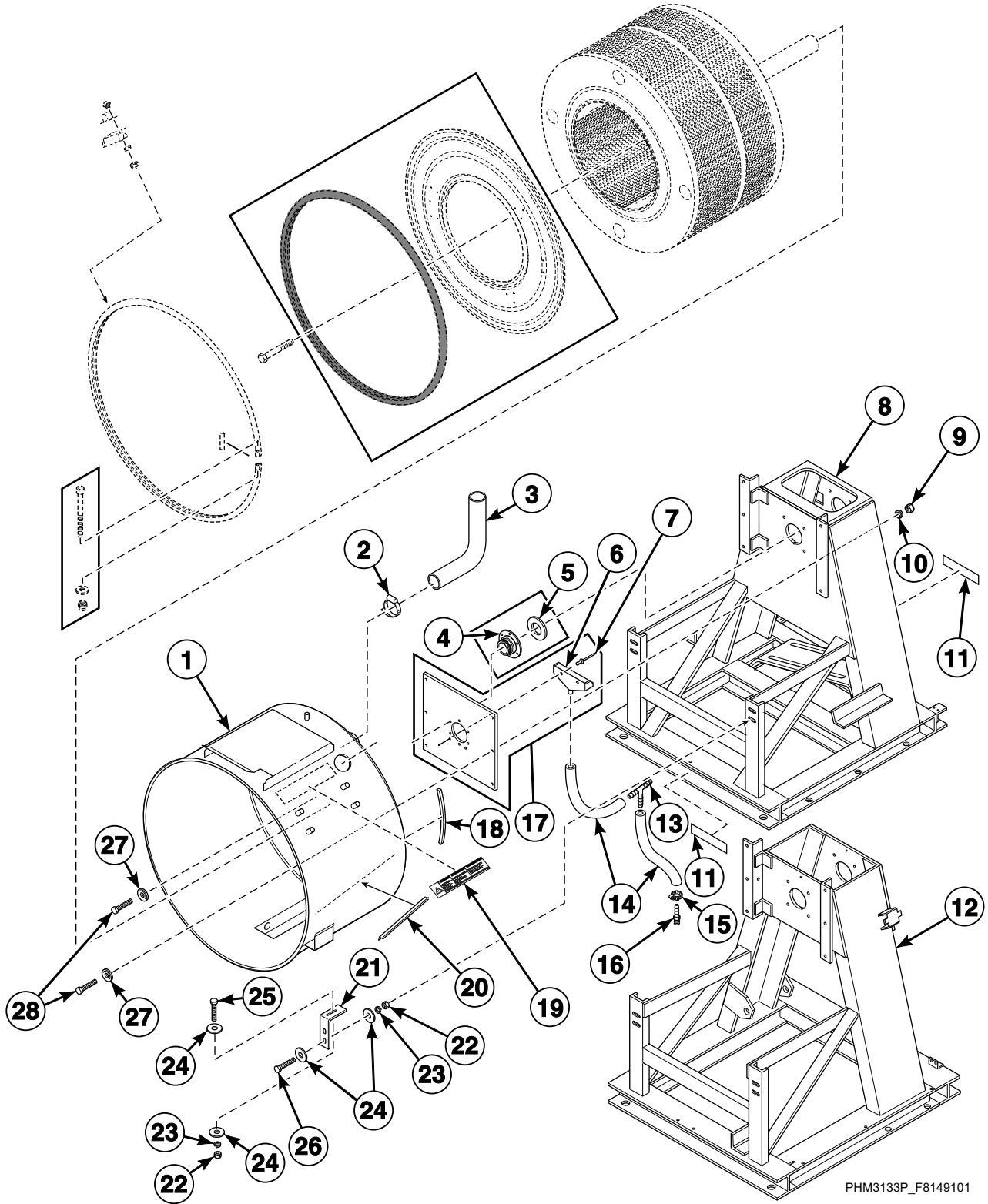


PHM3043P_F8149101

Shell and Frame - Models Through 10/3/10

REF	PART NO.	DESCRIPTION	COMMENTS
1	F8081701	Shell Weldment	Model UW60TV; Standard
	F8273301	Shell Weldment	All other models; Standard
	F8081702	Shell Weldment	Model UW60TV; Electric heat
	F8273302	Shell Weldment	All other models; Electric heat
2	F0200237-00	Plug	
3	F8084201	Shell Reinforcement Plate Assembly	Includes items 11 and 12
4	F200213	Hose Clamp	
5	F0603139-03	Drain Hose	
6	F422900	Elbow	
7	F0602364-04	Pipe	
8	F8261301	Vent Hose	Includes items 4-7
9	F8162101	Face Seal	Standard
	F8162201	Face Seal	Viton
	F798819-00	Seal Kit	Includes items 10, 30, 31, F410102 Clear Sealant, F431210 Pop Rivet, F430215 Nut, F430317 Washer, F430518 Screw and F170120RP Shell Band Gasket; Standard
10	F100203	Slinger	
11	F150389	Scupper	
12	F431215	Pop Rivet	
13	F8073801	Frame Weldment	Model UW60TV and models with an L, M or V in the 9th position
14	M400013	Washer	
15	70142	Nut	
16	44127701	Warning Label	Shock/pinch; Models UWL060, UWN060 and UWU060
17	F8166101	Frame Weldment	Models with a 2 in the 9th position
18	F8137401	Tee	
19	F200107P	Water Hose	
20	36801	Hose Clamp	No. 6
21	F421929	Hose Barb	
22	F200085500	Moving Parts Plug Warning Decal	
23	F150364	Drip Rail	
24	20274	Nut	
25	M400014	Washer	
26	M400081	Washer	
27	F601806	Shell Mounting Bracket	
28	F430924	Screw	
29	F431116	Washer	
30	F430913	Screw	
31	F431112	Washer	
32	F100284	Trim Seal	Order 5 feet

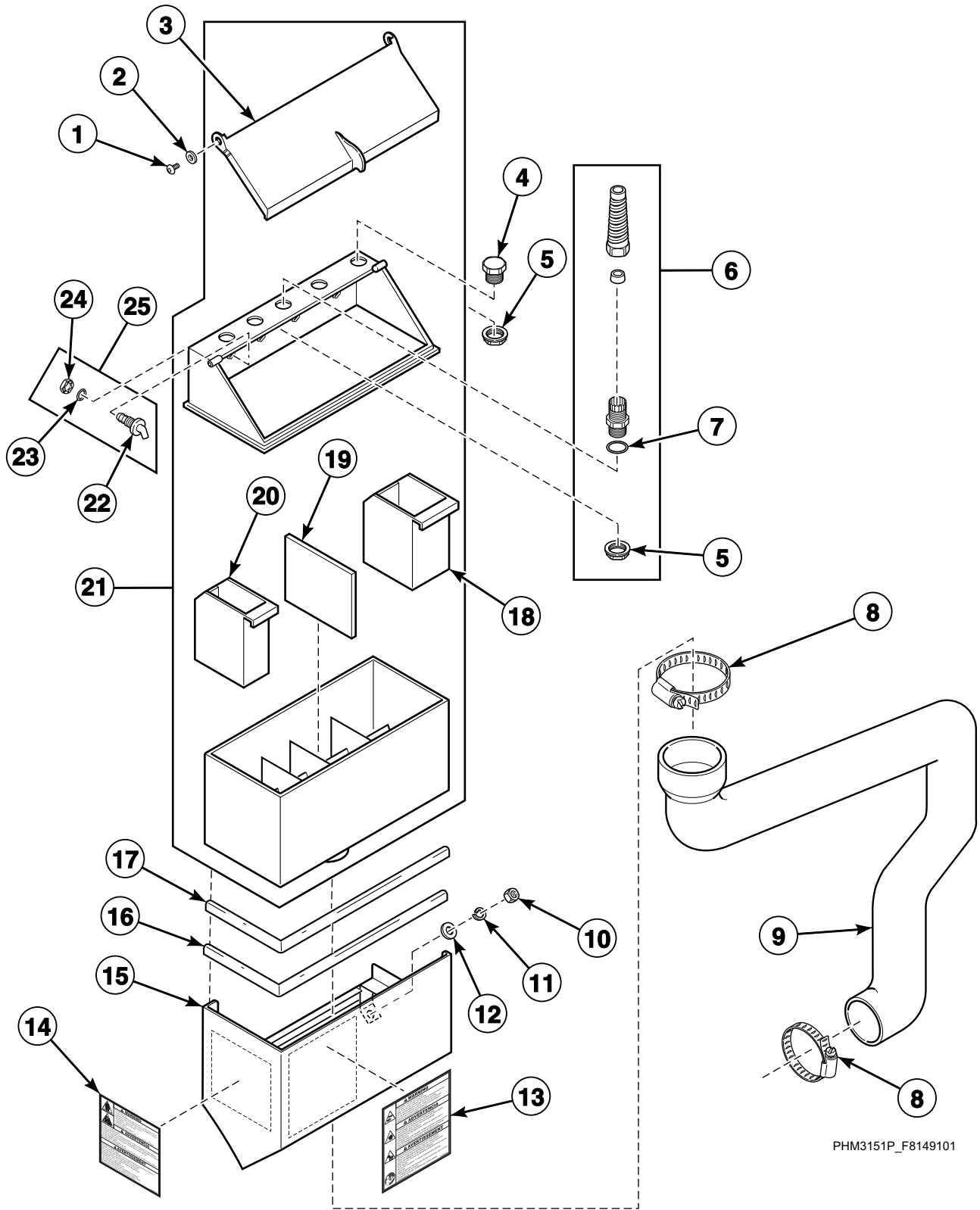
Shell and Frame - Models Starting 10/4/10



Shell and Frame - Models Starting 10/4/10

REF	PART NO.	DESCRIPTION	COMMENTS
1	F8351501	Shell Weldment	Standard
	F8351502	Shell Weldment	Electric heat
2	F200213	Hose Clamp	
3	F8363601	Vent Hose	
4	F8162101	Face Seal	Standard
	F8162201	Face Seal	Viton
	F798819-00	Seal Kit	Includes items 5, 27, 28, F410102 Clear Sealant, F431210 Pop Rivet, F430215 Nut, F430317 Washer, F430518 Screw and F170120RP Shell Band Gasket; Standard
5	F100203	Slinger	
6	F150389	Scupper	
7	F431215	Pop Rivet	
8	F8073801	Frame Weldment	Model UW60TV and models with an L, M or V in the 9th position
9	M400013	Washer	
10	70142	Nut	
11	44127701	Warning Label	Shock/pinch; Models UWL060, UWN060 and UWU060
12	F8166101	Frame Weldment	Models with a 2 in the 9th position
13	F8137401	Tee	
14	F200107P	Water Hose	
15	36801	Hose Clamp	No. 6
16	F421929	Hose Barb	
17	F8084201	Shell Reinforcement Plate Assembly	Includes items 6 and 7
18	F100284	Trim Seal	Order 5 feet
19	F200085500	Moving Parts Plug Warning Decal	
20	F150364	Drip Rail	
21	F601806	Shell Mounting Bracket	
22	20274	Nut	
23	M400014	Washer	
24	M400081	Washer	
25	F430924	Screw	
26	F431116	Washer	
27	F431112	Washer	
28	F430913	Screw	

Supply Dispenser

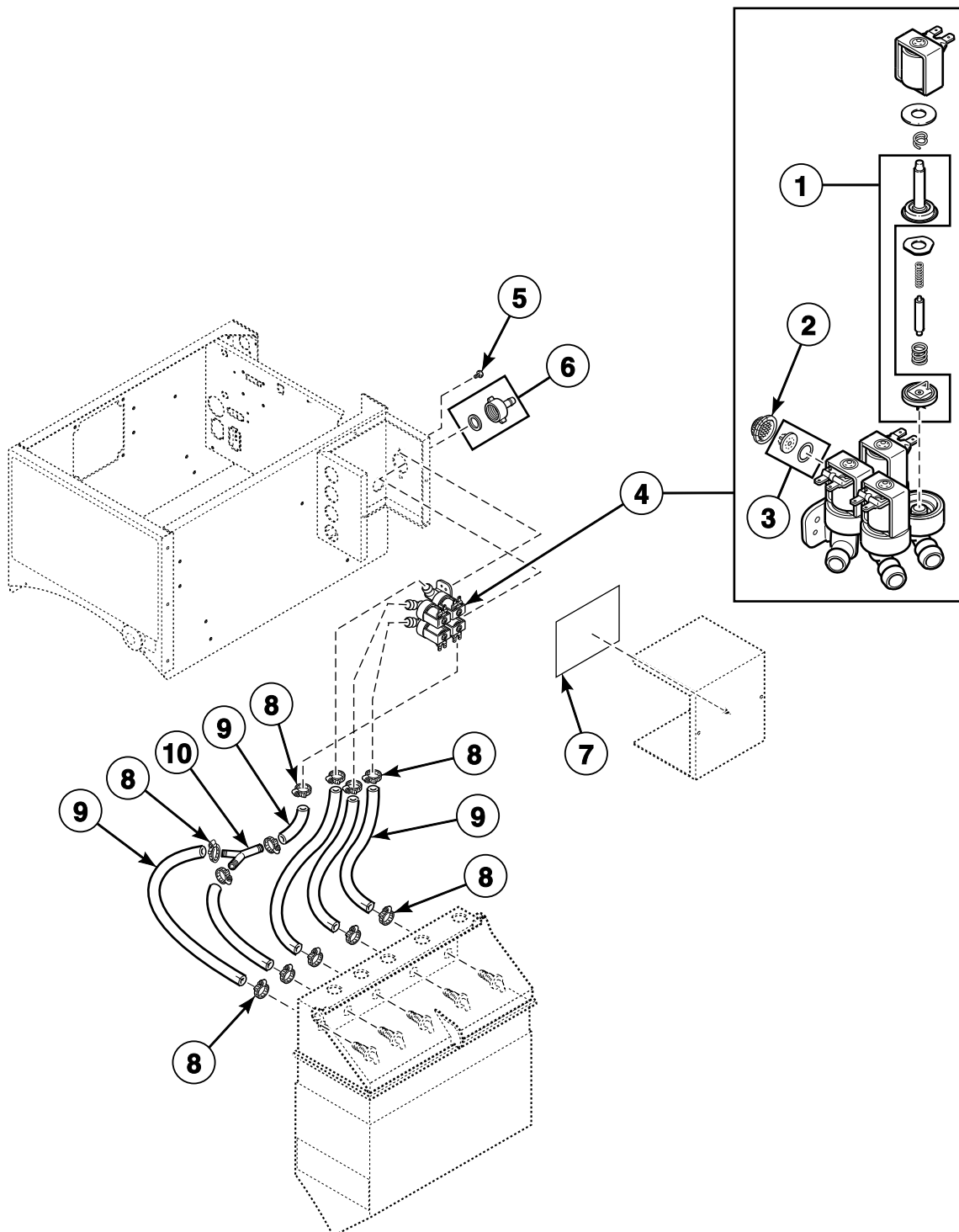


PHM3151P_F8149101

Supply Dispenser

REF	PART NO.	DESCRIPTION	COMMENTS
1	F430917	Screw	
2	F431133	Washer	
3	F0150514-00	Dispenser Lid	
4	F190304	Plug Cap	
5	F140340P	Strain Relief Connector	
6	F749802	Strain Relief Adapter Kit	Includes items 5 and 7
7	F170215	O-Ring	
8	F200213	Hose Clamp	No. 40
9	F150469	Chemical Supply Hose	Models through 5/31/09
	F8265501	Chemical Supply Hose	Models starting 6/1/09
10	F431005	Nut	
11	F431100	Washer	
12	F431147	Washer	
13	F200085300	Hot Water and Chemical Caution Decal	
14	F200085100	Spin Warning Decal	
15	F8024301	Soap Dispenser Shroud Weldment	
16	F170400RP	Trim	
17	F170158P	Gasket	
18	F150386	Chemical Supply Cup	32 ounce; 2 used
19	F0150525-00	Supply Dispenser Spacer	
20	F150385	Chemical Supply Cup	20 ounce; 3 used
21	F0150512-00P	Dispenser Assembly	Includes items 3 and 18-20
22	F8322001	Injection Nozzle	
23	F170208	O-Ring	
24	802292	Nut	
25	F730168	Injection Nozzle Kit	Includes items 22-24

Water Supply Valve and Hoses to Supply Dispenser - Models Through 10/3/10



PHM3037P_F8149101

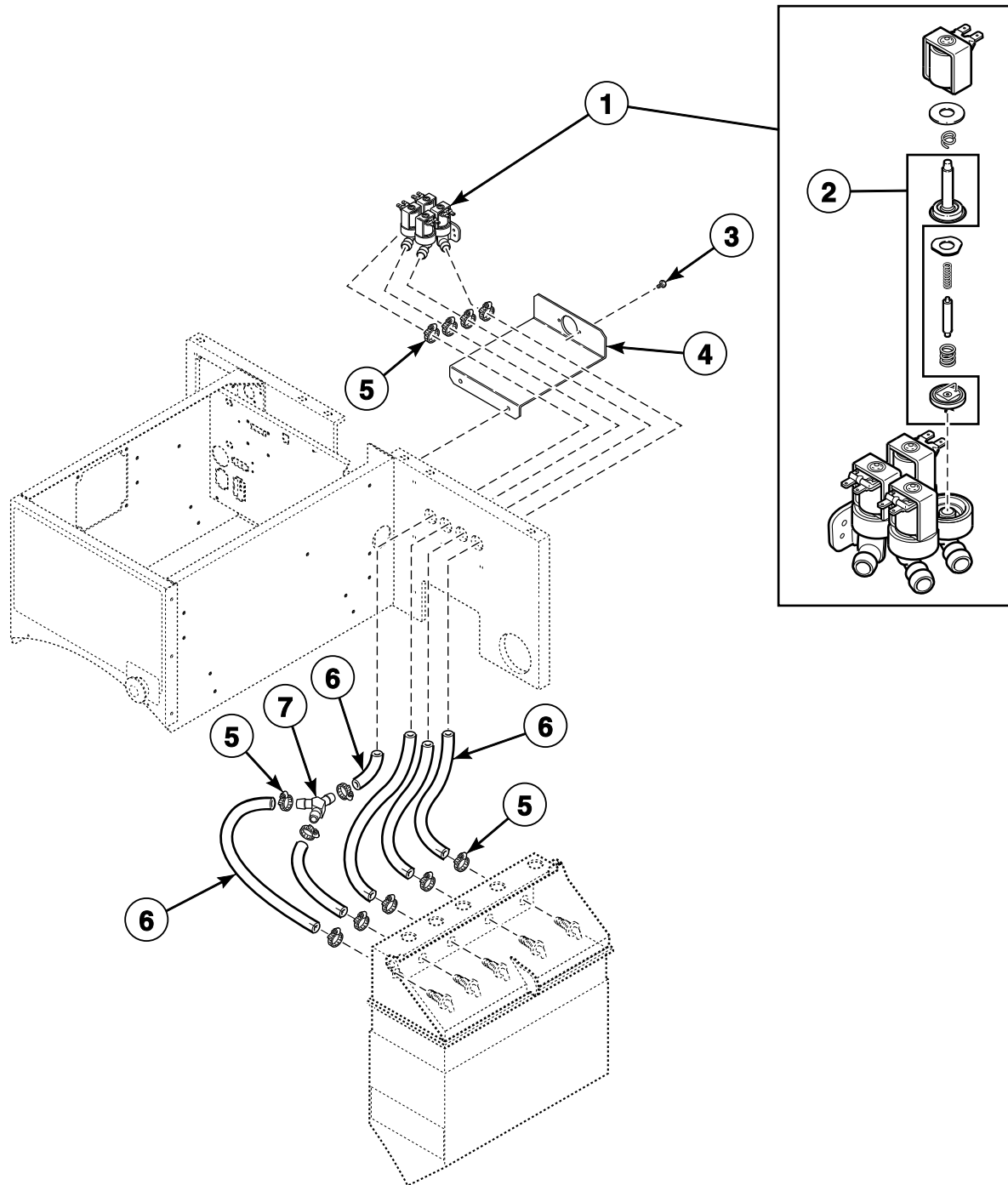
Water Supply Valve and Hoses to Supply Dispenser - Models Through 10/3/10

REF	PART NO.	DESCRIPTION	COMMENTS
1	G582P3	Diaphragm and Guide Kit	
2	F270200	Strainer	
3	N/A	Flow Restrictor	8 liter
4	F381723P	4-Way Valve	220 Volt
	F8091601P	Dispenser Valve Harness	
5	F430948	Screw	
6	F200302	Hose Connector	
7	F230754	Water Valve Assembly Decal	
8	36801	Hose Clamp	No. 6
9	F200110P	Water Hose	
10	F422816	Y Connector	

N/A = Part no longer available

Water Supply Valve and Hoses to Supply Dispenser - Models Starting 10/4/10

UWL, UWN and UWU Models



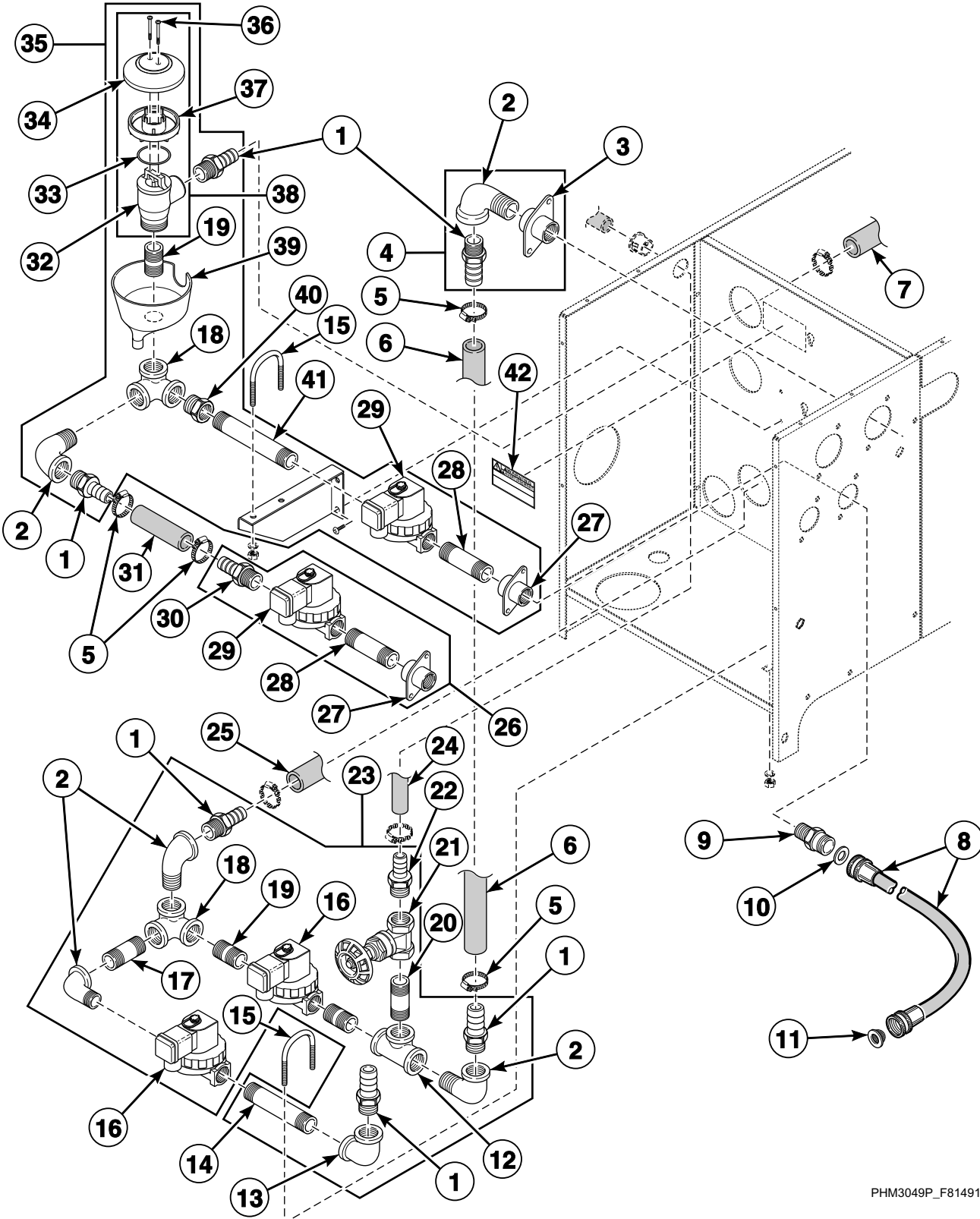
PHM3117P_F8149101

Water Supply Valve and Hoses to Supply Dispenser - Models Starting 10/4/10

REF	PART NO.	DESCRIPTION	COMMENTS
1	F8336601	4-Way Valve	240 Volt; Includes regulator
	F8347301	Dispenser Valve Harness	
2	G582P3	Diaphragm and Guide Kit	
3	F430948	Screw	
4	F8331901	Valve Mounting Bracket	
5	36801	Hose Clamp	No. 6
6	F200110P	Water Hose	
7	F422816	Y Connector	

Spray and Fill Plumbing Assemblies - Models Through 10/3/10

Model UW60TV and Models with a 3 in the 8th Position



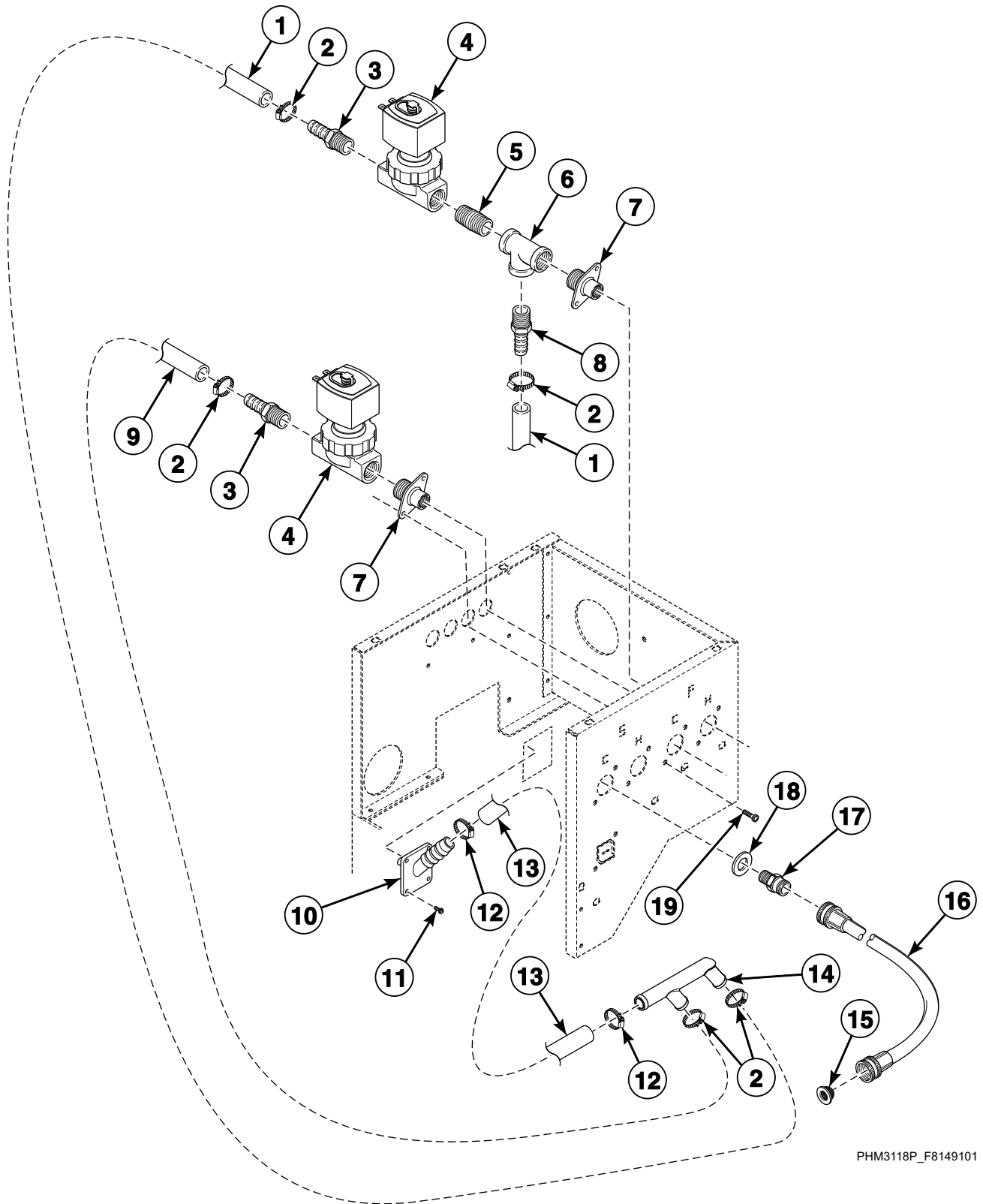
PHM3049P_F8149101

Spray and Fill Plumbing Assemblies - Models Through 10/3/10

REF	PART NO.	DESCRIPTION	COMMENTS
	F8073601P	Supply/Fill Module Harness	
	F8073701P	Fill/Spray Valve Harness	
1	F421951	Hose Barb	
2	F420502	Street Elbow	
3	F8154502	Coupling	
4	F8117101	Fill Plumbing Connection	Includes items 1-3
5	F200222	Hose Clamp	No. 12
6	F8137502	Hose	
7	F200104P	Hose	Order 2 feet
8	F200164	Water Hose	Standard thread
	F200166	Water Hose	Metric thread
9	F421909	Hose Adapter	Standard thread; 3/4 x 3/4 inch
	F421908	Hose Adapter	Standard thread; 3/4 x 1/2 inch
	F8265701	Adapter	Metric thread
10	20290	Washer	
11	803615	Washer	Filter
12	F420402	Tee	
13	F420503	Elbow	
14	F420108	Nipple	
15	F200401P	U-Bolt Clamp	
16	F381701P	Valve	
	F380991P	Water Valve Repair Kit	
17	F8110201	Nipple	
18	F420509	Elbow	
19	F420105	Nipple	
20	F420101	Nipple	
21	F380500	Gate Valve	
22	F421964	Hose Barb	
23	F8100401	Fill Plumbing Assembly	Includes items 1, 2, 12-14 and 16-22
24	F200165	Water Hose	
25	F8339501	Hose	
26	F8116801	Cold Spray Plumbing Assembly	Includes items 24-27
27	F8154501	Coupling	
28	F420103	Nipple	
29	F381703P	Valve	
	F380993P	Valve Repair Kit	
30	F8110701	Hose Barb	
31	F8137504	Hose	
32	F380800P	Vacuum Breaker Valve	
33	F0170221-00	O-Ring	
34	F0380808-00	Vacuum Breaker Cap	
35	F8074701	Hot Spray Plumbing Assembly	Includes items 1, 2, 17, 18, 24-26, 29-31 and 33-38
36	F430938	Screw	
37	F0380809-00	Containment Device	
38	F063754701P	Vacuum Breaker Valve	Includes items 29-31, 33 and 34
39	F8118401	Catch Basin	
40	F8100301	Reducer Bushing	
41	F8110601	Nipple	
42	F8233501	Warning Label	Shock

Fill Plumbing Assembly - Models Starting 10/4/10

Models with a 3 in the 8th Position



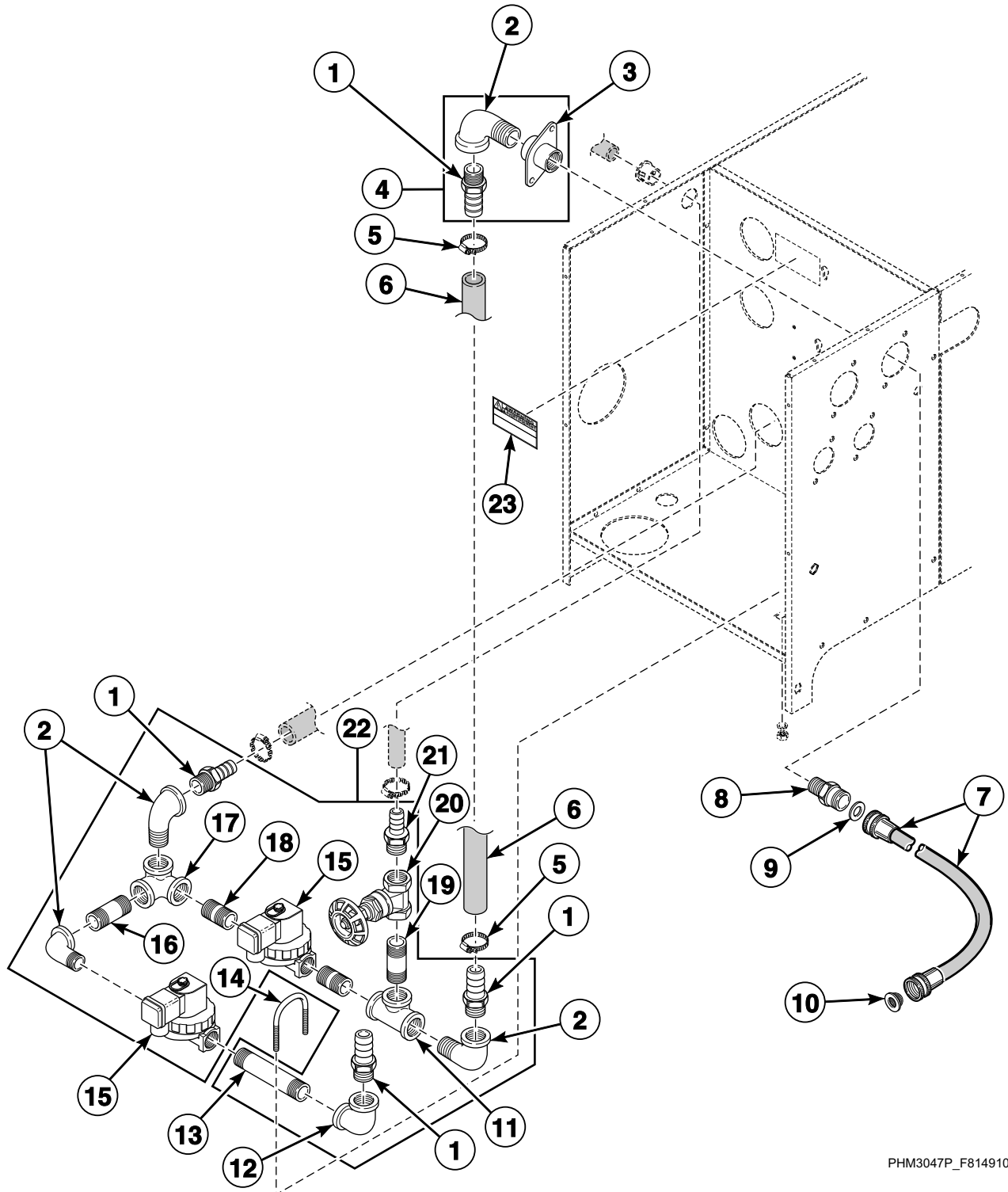
PHM3118P_F8149101

Fill Plumbing Assembly - Models Starting 10/4/10

REF	PART NO.	DESCRIPTION	COMMENTS
	F8379501	Valve Kit	
	F8347501	Fill/Supply Harness	
	F8347102	Fill Valve Harness	
1	F8232007	Hose	
2	36801	Hose Clamp	No. 8
3	F421951	Hose Barb	
4	F8322803P	Valve	1/2 inch; Brass
5	F421921	Nipple	1/2 inch; Brass
6	F422208	Tee	
7	F8362701	Coupling	1/2 inch
8	F8110701	Hose Barb	
9	C002662	Hose	Order 2 feet
10	F8351601	Fill Port	
11	70442301	Screw	
12	F200222	Hose Clamp	No. 12
13	F8232006	Hose	
14	F8333201	Manifold	
15	803615	Washer	Filter
16	F200164	Water Hose	Standard thread
	F200166	Water Hose	Metric thread
17	F421908	Hose Adapter	Standard thread; 3/4 x 1/2 inch
	F8265701	Adapter	Metric thread
18	20290	Washer	
19	20253	Screw	

Fill Plumbing Assembly - Models Through 10/3/10

Models with a 1 in the 8th Position



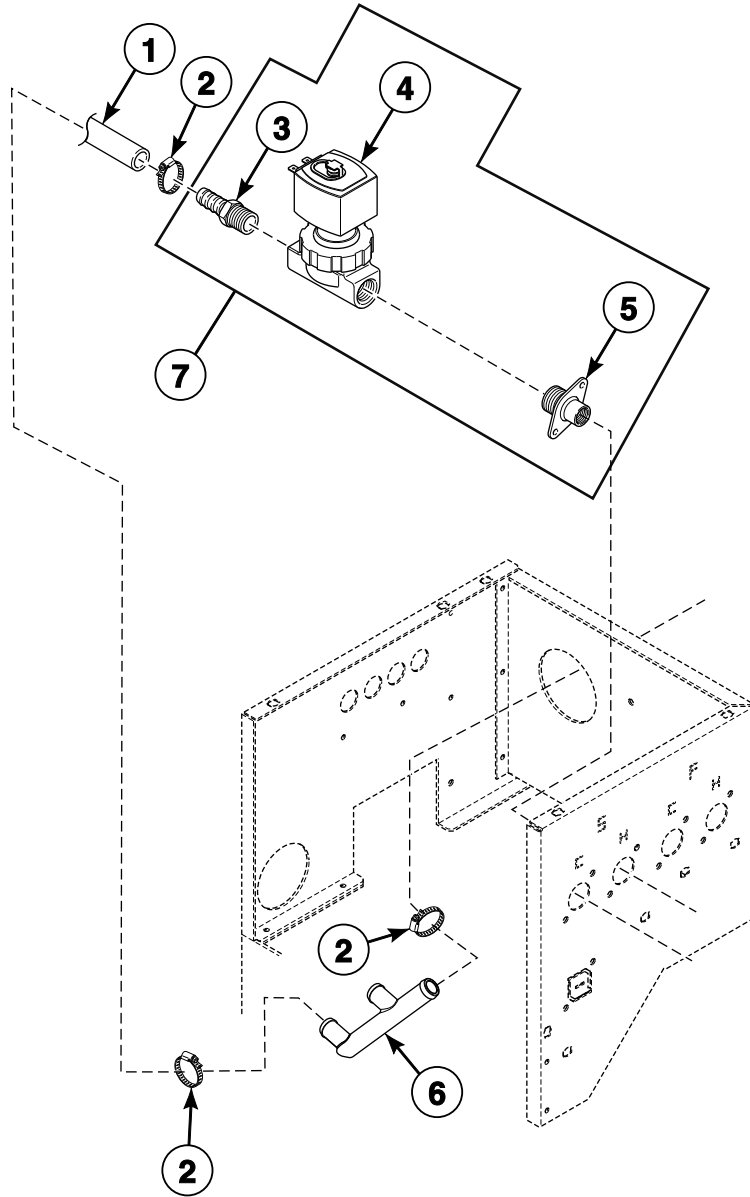
PHM3047P_F8149101

Fill Plumbing Assembly - Models Through 10/3/10

REF	PART NO.	DESCRIPTION	COMMENTS
	F8158901P	Fill/Supply Harness	
	F8073702P	Fill Valve Harness	
1	F421951	Hose Barb	
2	F420502	Street Elbow	
3	F8154502	Coupling	
4	F8117101	Fill Plumbing Connection	Includes items 1-3
5	F200222	Hose Clamp	No. 12
6	F8137502	Hose	
7	F200164	Water Hose	Standard thread
	F200166	Water Hose	Metric thread
8	F421909	Hose Adapter	Standard thread; 3/4 x 3/4 inch
	F421908	Hose Adapter	Standard thread; 3/4 x 1/2 inch
	F8265701	Adapter	Metric thread
9	20290	Washer	
10	803615	Washer	Filter
11	F420402	Tee	
12	F420503	Elbow	
13	F420108	Nipple	
14	F200401P	U-Bolt Clamp	
15	F381701P	Valve	
	F380991P	Water Valve Repair Kit	
16	F8110201	Nipple	
17	F420509	Elbow	
18	F420105	Nipple	
19	F420101	Nipple	
20	F380500	Gate Valve	
21	F421964	Hose Barb	
22	F8100401	Fill Plumbing Assembly	Includes items 1, 2, 11-13 and 15-21
23	F8233501	Warning Label	Shock

Spray Plumbing Assembly - Models Starting 10/4/10

Models with a 3 in the 8th Position

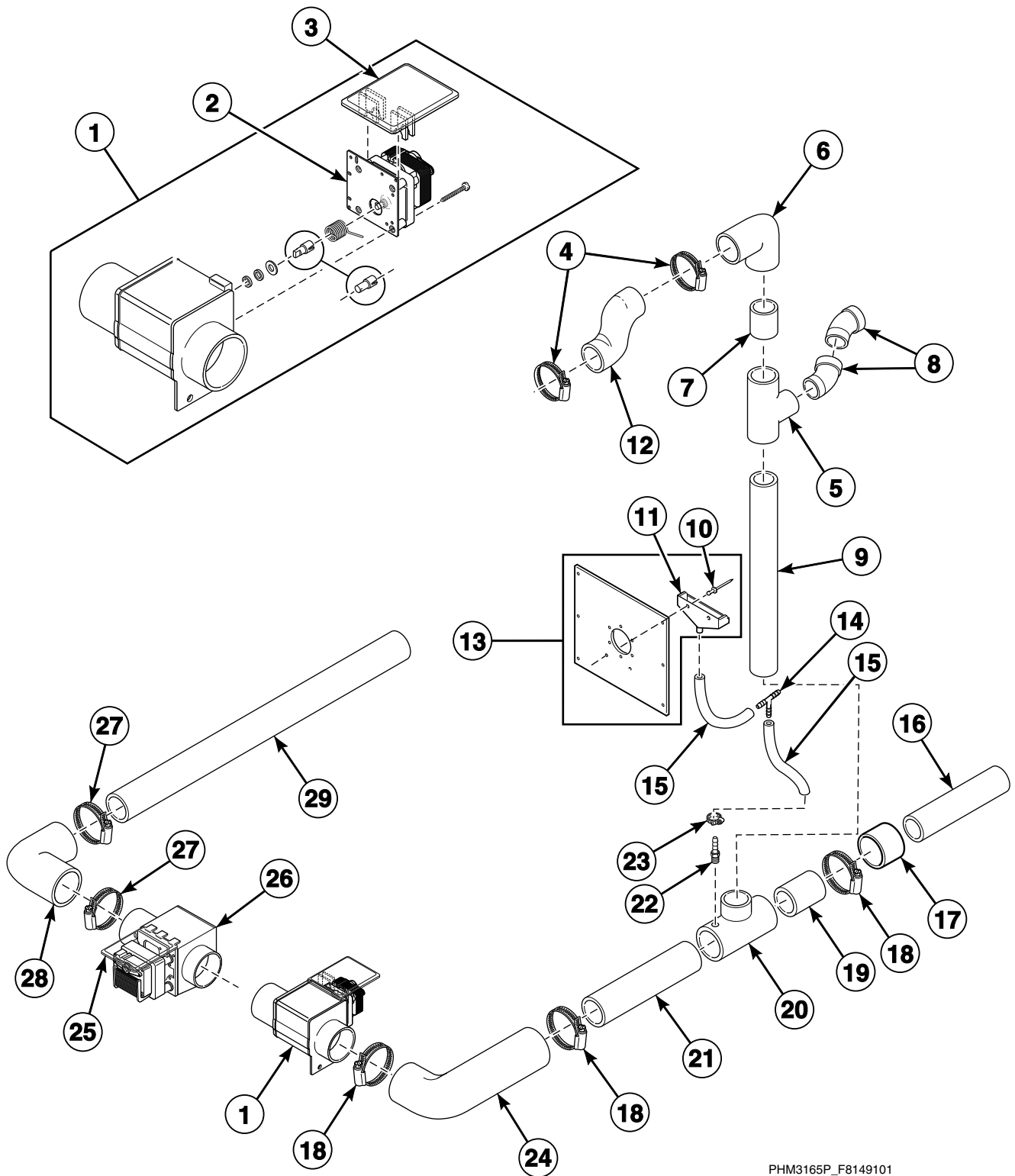


PHM3122P_F8149101

Spray Plumbing Assembly - Models Starting 10/4/10

REF	PART NO.	DESCRIPTION	COMMENTS
	F8347501	Fill/Supply Harness	
	F8347104	Fill Valve Harness	
1	F8232007	Hose	
2	36801	Hose Clamp	No. 8
3	F8110701	Hose Barb	
4	F8322803P	Valve	1/2 inch; Brass
	F8379501	Valve Kit	
5	F8362702	Coupling	3/4 inch
6	F8333201	Manifold	
7	F8288404	Fill Plumbing Assembly	Includes items 3-5

Drain - Models Through 10/3/10



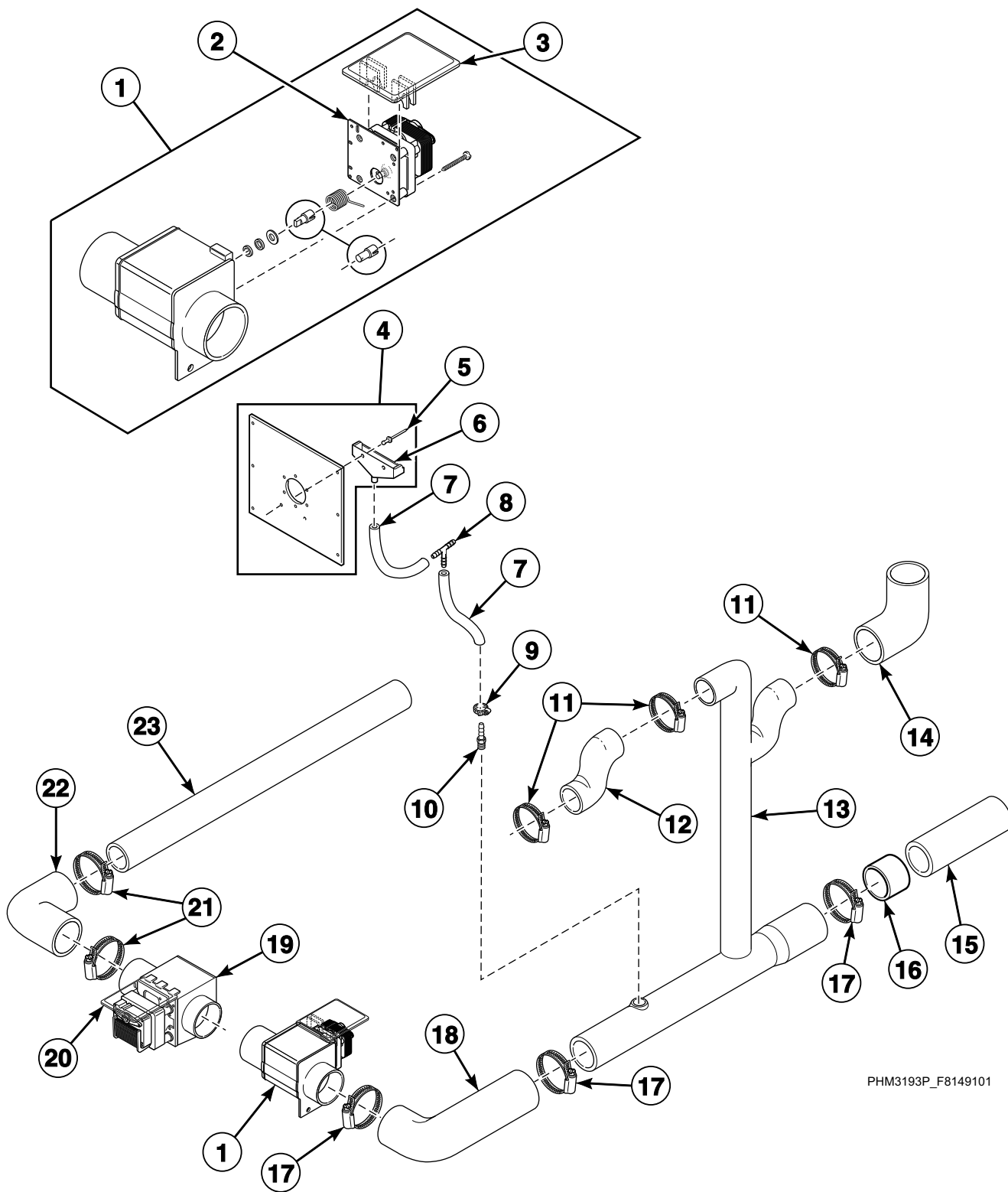
PHM3165P_F8149101

Drain - Models Through 10/3/10

REF	PART NO.	DESCRIPTION	COMMENTS
	F8028301P	Drain Valve Harness	R-voltage
	F8257002	Drain Valve Harness	Q-voltage
	F8257101	Dual Drain Harness	
1	F200166402	Drain Valve Kit	
2	F380933P	Drain Valve Motor	220 Volt; Keyed shaft
3	F200133600	Drain Valve Cover	
4	F200213	Hose Clamp	No. 40
5	F422803	Tee	
6	F422901	Elbow	
7	F0602365-11	Pipe	
8	F8119201	Elbow	
9	F0602365-20	Pipe	
10	F431215	Pop Rivet	
11	F150389	Scupper	
12	F0150488-00	Overflow Hose	
13	F8084201	Shell Reinforcement Plate Assembly	Includes items 10 and 11
14	F8137401	Tee	
15	F200107P	Water Hose	
16	F200165100	Drain Hose	
17	F422602	Reducer Bushing	
18	F200201	Hose Clamp	No. 56
19	F0602365-07	Pipe	
20	F422802	Tee	
21	F060236531	Pipe	
22	F421929	Hose Barb	
23	36801	Hose Clamp	No. 6
24	F150438	Drain Hose	
25	F200133600	Drain Valve Cover	Dual drain option
26	F200166402	Drain Valve Kit	Dual drain option
27	F200201	Hose Clamp	No. 56; Dual drain option
28	F150438	Drain Hose	Dual drain option
29	F0602365-27	Pipe	Dual drain option

Drain - Models Starting 10/4/10

UWL, UWN and UWU Models



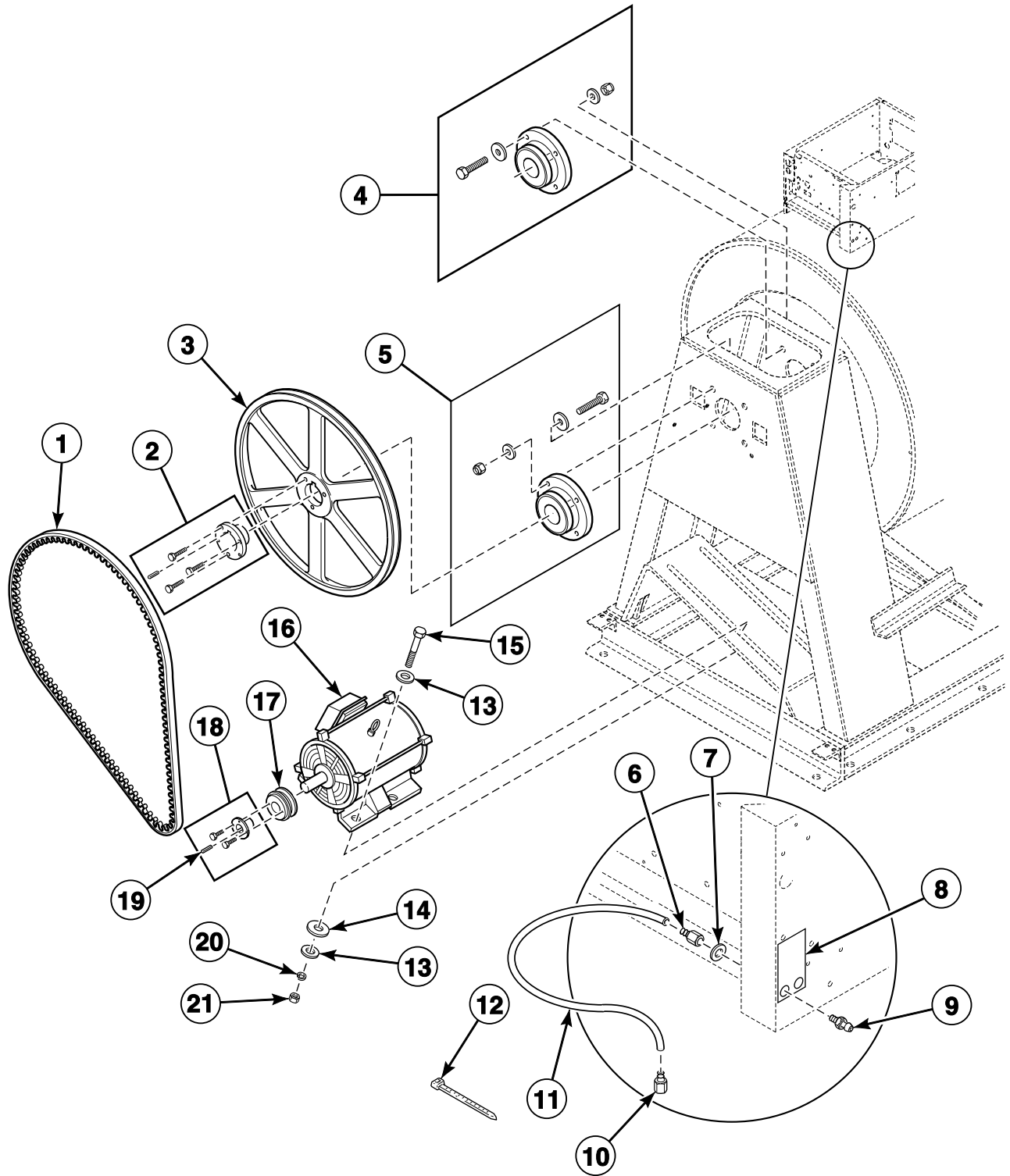
PHM3193P_F8149101

Drain - Models Starting 10/4/10

REF	PART NO.	DESCRIPTION	COMMENTS
	F8257001P	Drain Valve Harness	Standard and electric heat
	F8257002	Drain Valve Harness	Steam heat
	F8257101	Dual Drain Harness	
1	F200166402	Drain Valve Kit	
2	F380933P	Drain Valve Motor	220 Volt; Keyed shaft
3	F200133600	Drain Valve Cover	
4	F8084201	Shell Reinforcement Plate Assembly	Includes items 10 and 11
5	F431215	Pop Rivet	
6	F150389	Scupper	
7	F200107P	Water Hose	
8	F8137401	Tee	
9	36801	Hose Clamp	No. 6
10	F421929	Hose Barb	
11	F200213	Hose Clamp	No. 40
12	F0150488-00	Overflow Hose	
13	F8351301	Molded Drain	
14	F8261303	Drain Hose	
15	F200165100	Drain Hose	
16	F422602	Reducer Bushing	
17	F200201	Hose Clamp	No. 56
18	F150438	Drain Hose	
19	F200166402	Drain Valve Kit	Dual drain option
20	F200133600	Drain Valve Cover	Dual drain option
21	F200201	Hose Clamp	No. 56; Dual drain option
22	F150438	Drain Hose	Dual drain option
23	F0602365-27	Pipe	Dual drain option

Motor, Pulley and Bearings (Drawing 1 of 2)

Model UW60TV and Models with an L, M or V in the 9th Position



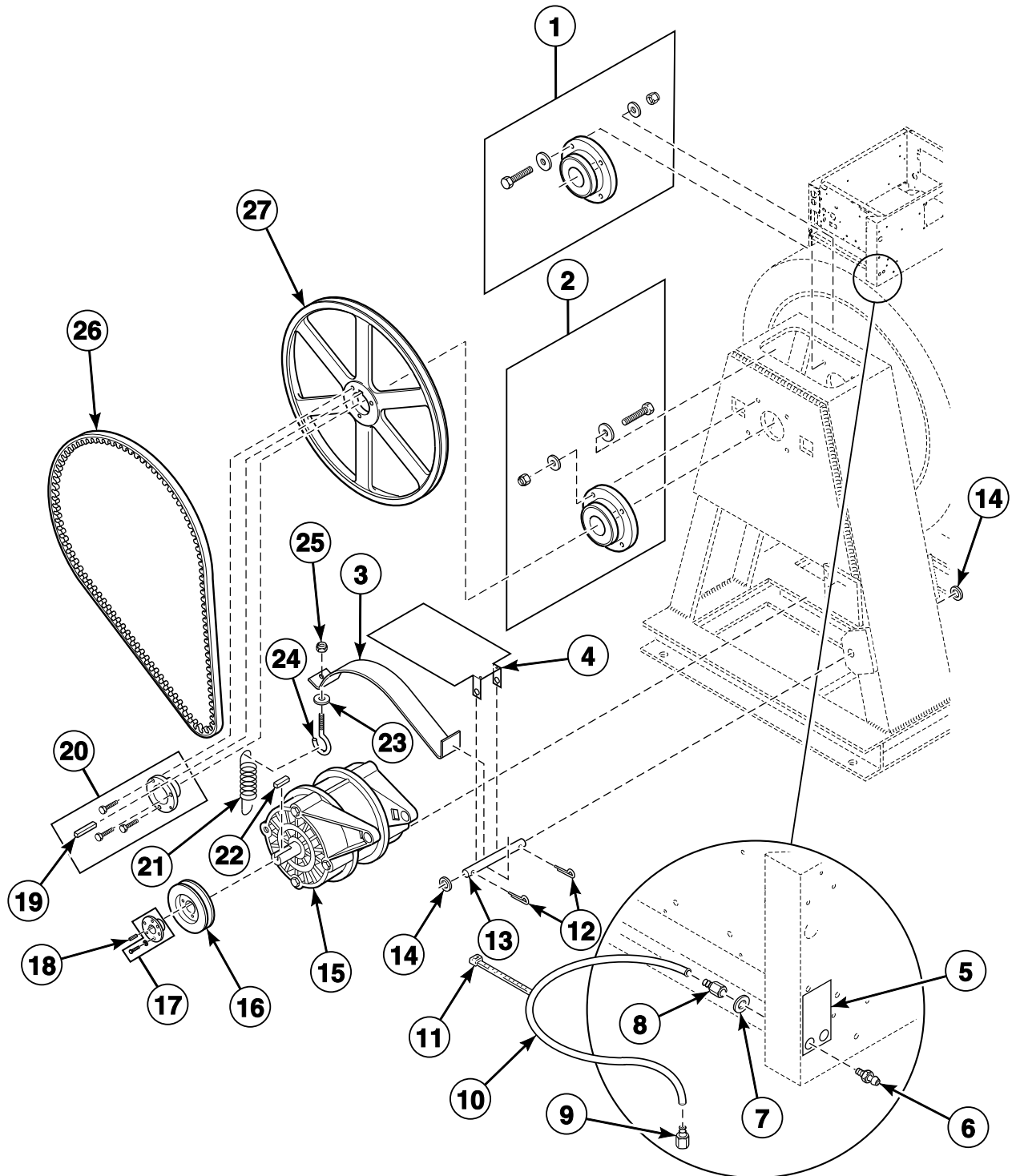
PHM2919P_F8149101

Motor, Pulley and Bearings (Drawing 1 of 2)

REF	PART NO.	DESCRIPTION	COMMENTS
	F8436801P	Shaft Lift Tool Kit	Used to reset bearings
1	F280353	Belt	BX96
2	F280409P	Bushing	Includes screws and key; 2-7/16 inch
3	F280410	Pulley	
4	F798824-00	Front Bearing Kit	Includes F010029701 Face Seal, F100203 Slinger, F170120R Shell Band Gasket, F170125 Shell Band Seal, F200001600 Shell Band Gasket, F410102 Clear Sealant, F430137 Screw, F430210 Nut, F430211 Nut, F430317 Washer, F430325 Washer, F430500 Screw, F430935 Screw, F431005 Nut, F431100 Washer, F431112 Washer, F431210 Pop Rivet and F704853 Key
	F100150P	Bearing	
5	F745010	Rear Bearing Kit	Includes F430136 Screw, F704854 Key, F430200 Nut and F430327 Washer
	F100150P	Bearing	
6	F422114	Air Coupling	
7	F431134	Washer	
8	F231563	Grease Instruction Decal	Lubrication
9	F190701	Grease Fitting	
	F745401	Manual Bearing Greasing Retrofit Kit	Includes items 10 and 11, F630433 Grease Manifold Bracket, F230745 Bearing Lubrication Instruction Decal, F320326 Grease Manifold, F430211 Nut, F430322 Washer, F430923 Screw, F430925 Screw and F431024 Nut
10	J1408004	Connector	
11	C000628P	Tubing	
12	F140605	Cable Tie	6 inch
13	M400081	Washer	
14	F430300	Washer	
15	F430993	Screw	
16	F8356401	Motor Kit	Replaces F8054101 Reliance/Allen-Bradley Motor used through 9/30/09; AC drive parameters must be compatible with the motor and motor pulley. Please request the AC drive parameter illustration for parameter verification when ordering a motor.
	F8334601P	Motor	Marathon; Used starting 10/1/09; AC drive parameters must be compatible with the motor and motor pulley. Please request the AC drive parameter illustration for parameter verification when ordering a motor.
	F8049201	Motor Harness	
17	F280146P	Pulley	BK34H; 1 groove; 3.55 inch OD
18	F280211P	Motor Pulley Bushing	Includes item 19 and screws
19	F430802	Key	
20	M400014	Washer	
21	20274	Nut	

Motor, Pulley and Bearings (Drawing 2 of 2)

Models with a 2 in the 9th Position

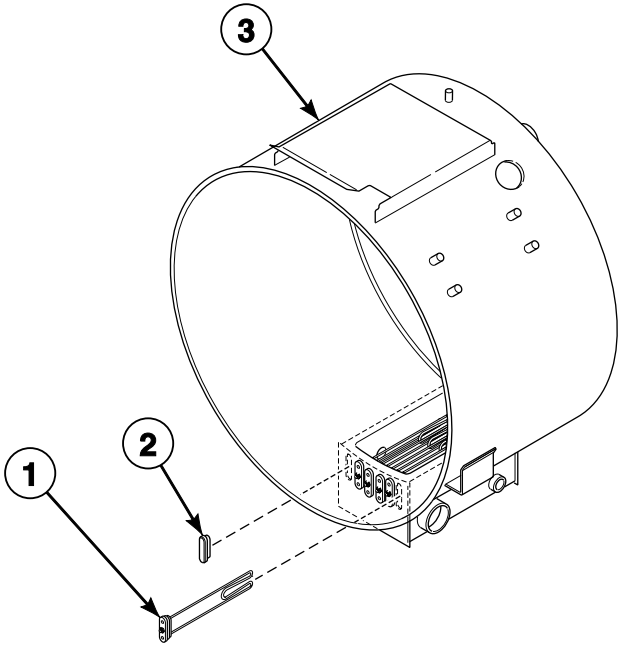


PHM3150P_F8149101

Motor, Pulley and Bearings (Drawing 2 of 2)

REF	PART NO.	DESCRIPTION	COMMENTS
1	F798824-00	Front Bearing Kit	Includes seal and hardware
2	F745010	Rear Bearing Kit	Includes hardware
3	F602166	Motor Adjustment Strap	
4	F200280700	Motor Drip Shield	
5	F231563	Grease Instruction Decal	Lubrication
6	F190701	Grease Fitting	
7	F430332	Washer	
8	F422114	Air Coupling	
9	J1408004	Connector	
10	C000628P	Tubing	
11	F140605	Cable Tie	6 inch
12	F430401	Cotter Pin	
13	F730076	Motor Support Rod Kit	
14	901690	Washer	
15	F8330501P	Motor	
16	F280146P	Pulley	BK34H; 1 groove; 3.55 inch OD
17	F280214	Motor Bushing	H-78
18	F430802	Key	
19	F430801	Key	
20	F280409P	Bushing	2-7/16; Includes item 19
21	F310127	Spring	
22	F430802	Key	
23	M400080	Washer	
24	F430153	Bolt	
25	F430233	Nut	
26	F280309	Belt	BX100
27	F280410	Pulley	1B255K

Electric Heat Option

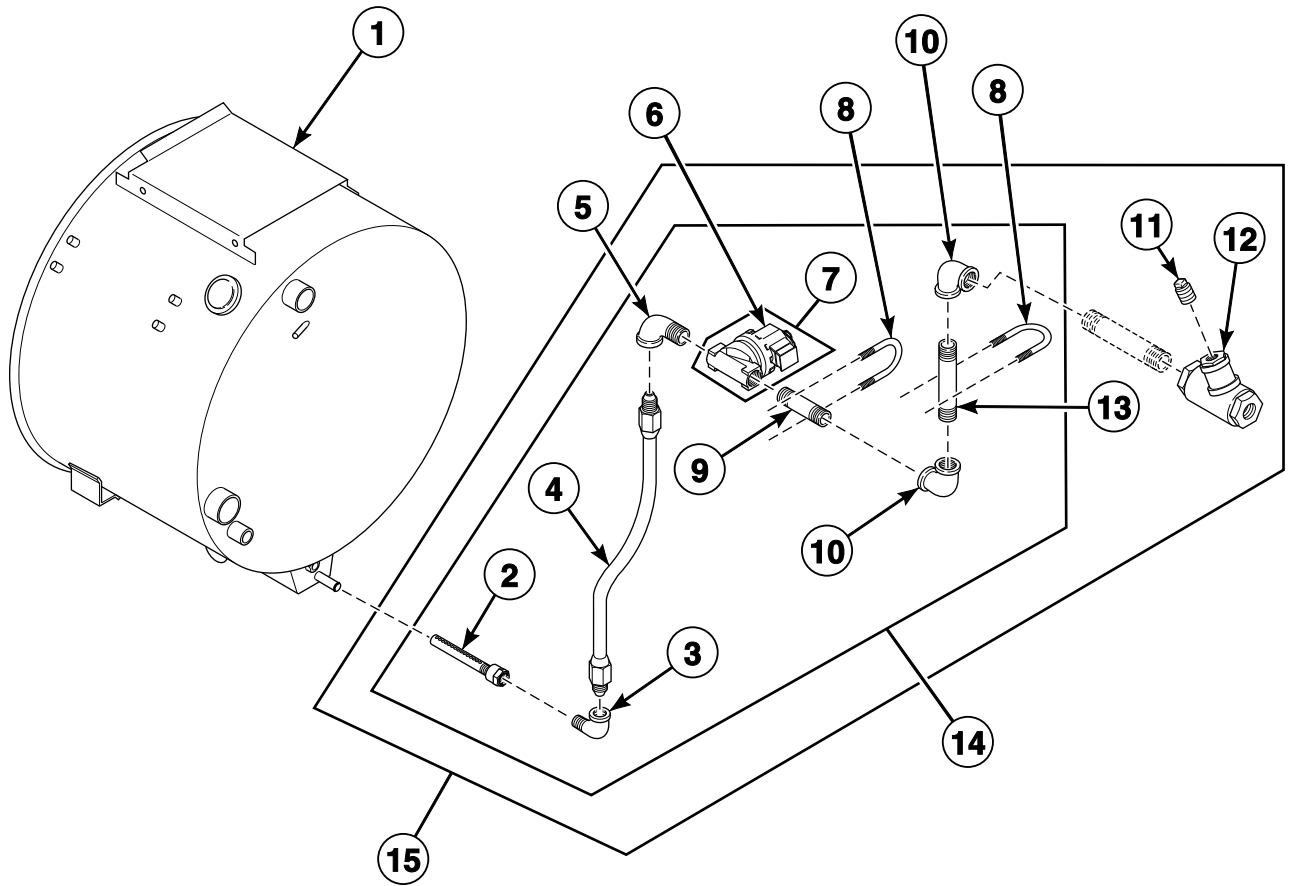


PHM3044P_F8149101

Electric Heat Option

REF	PART NO.	DESCRIPTION	COMMENTS
	F8054701P	Electric Heat Harness	R-voltage
	F8054702	Electric Heat Harness	Q-voltage
1	F360203P	Heating Element	6 required
	F8056701	Electric Heat Harness	6 element to ground
2	F360202	Heating Element Plug	
3	F8081702	Shell Weldment	Model UW60TV; Electric heat
	F8273302	Shell Weldment	UWL, UWN and UWU models; Electric heat; Models through 10/3/10
	F8351502	Shell Weldment	UWL, UWN and UWU models; Electric heat; Models starting 10/4/10

Steam Heat Option - Models Through 10/3/10

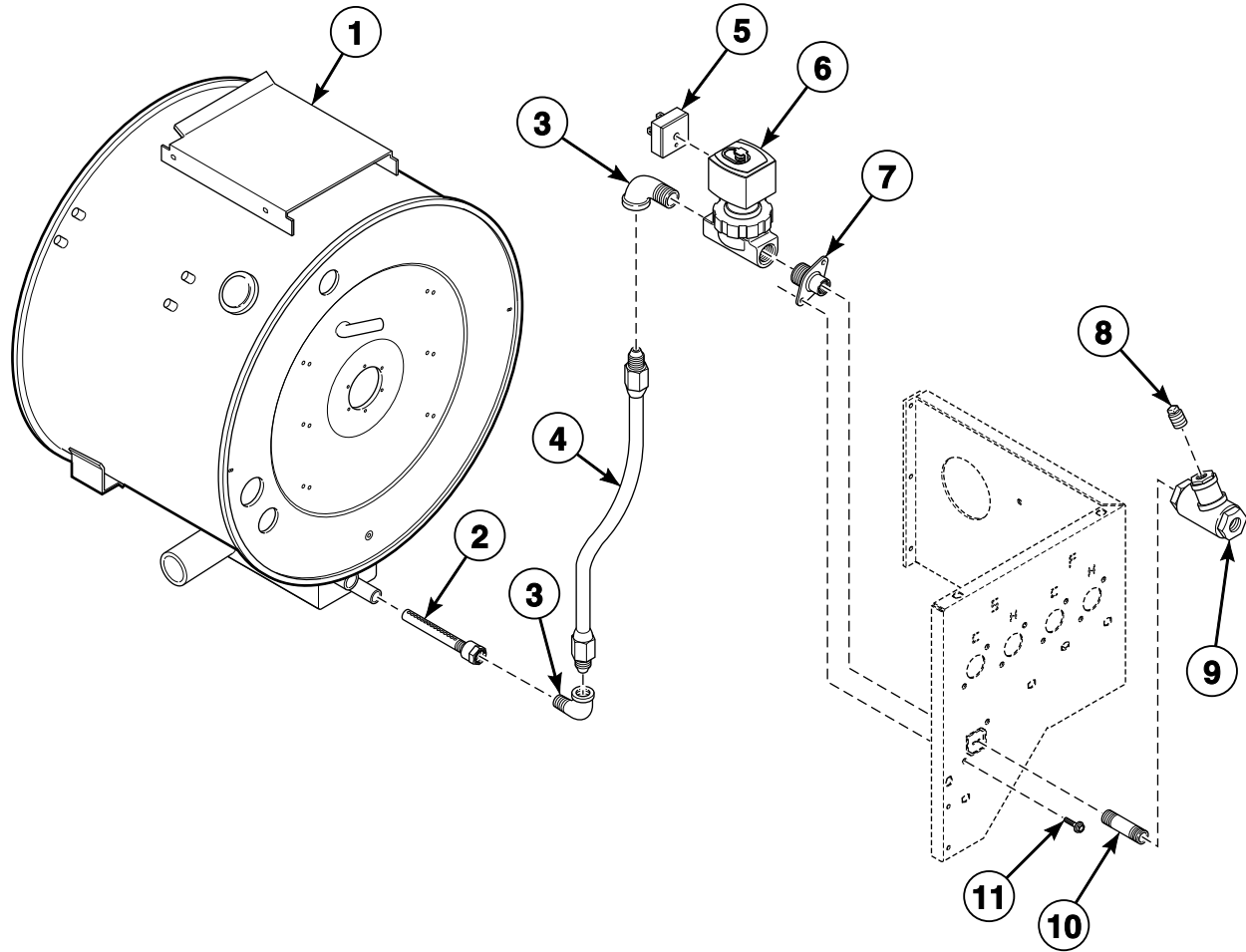


PHM3045P_F8149101

Steam Heat Option - Models Through 10/3/10

REF	PART NO.	DESCRIPTION	COMMENTS
1	F8081701	Shell Weldment	Model UW60TV
	F8273301	Shell Weldment	UWL, UWN and UWU models; Models through 10/3/10
	F8351501	Shell Weldment	UWL, UWN and UWU models; Models starting 10/4/10
2	F603131	Steam Injector Tube Assembly	
3	F421703	Street Elbow	
4	F200197	Steam Hose	
5	H86070034	Street Elbow	
6	F380987P	DIN Coil	220 Volt
7	F380787P	Steam Valve	1/2 inch; 220 Volt; F380984 Steam Valve Repair Kit
8	F200401P	U-Bolt Clamp	
9	901403	Pipe Nipple	
10	70079601	Elbow	
11	F420409	Plug	
12	F270307	Steam Filter	
13	70263801	Pipe Nipple	
14	F8104501	Steam Assembly	Includes items 2-7, 9, 10 and 13
15	F947P3	Steam Heat Kit	Includes items 1-13 and F8028302P Steam Heat Drain Valve Harness

Steam Heat Option - Models Starting 10/4/10

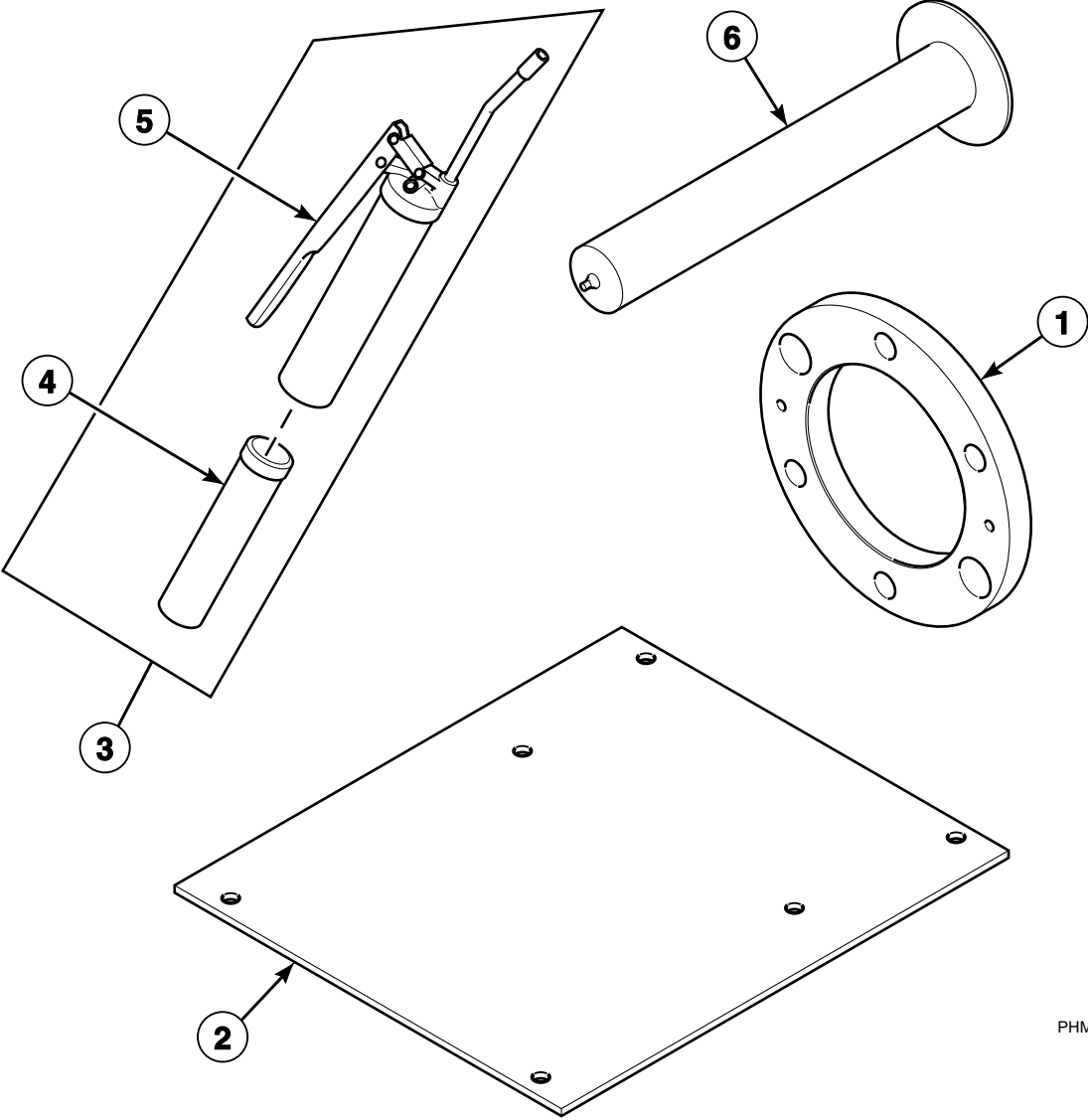


PHM2132K_F8149101

Steam Heat Option - Models Starting 10/4/10

REF	PART NO.	DESCRIPTION	COMMENTS
	F8394501	Steam Assembly	Includes items 2-11
	F943P3	Steam Heat Kit	Includes items 2-11 and F8257002 Drain Valve Harness
1	F8366001	Shell Weldment	
2	F603131	Steam Injector Tube Assembly	
3	F421703	Street Elbow	
4	F200197	Steam Hose	
5	F8382301	DIN Valve Adapter Kit	
6	F8322801P	Valve	1/2 inch; 220 Volt
7	F8362701	Coupling	
8	F420409	Plug	
9	F270307	Steam Filter	
10	901403	Pipe Nipple	
11	70321501	Screw	

Special Tools



PHM3140P_F8149101

Special Tools

REF	PART NO.	DESCRIPTION	COMMENTS
	F8167901	USB IR Device Assembly	
	F8133301	UniLinc PC and PDA Software CD	UniLinc models
	F8133701	UniLinc PC and PDA Software CD	UniLinc models; Programmer's version
	F923P3	Wet-Clean Kit	Model UW60TV
	F925P3	Wet-Clean Kit	All other models
	F730055-1	Mounting Bolt Kit	
	F924P3	Reuse Kit	
	F798770	Rebar Frame Kit	Order with equipment
	1113P	Concrete Hardware Kit	
	F8498101	Concrete Epoxy Kit	Used with mounting bolts
1	F0100312-00	Shaft Seal Alignment Fixture	
2	F602941	Rebar Frame Template	
3	F798700	Grease Gun Kit	Includes items 3 and 4
4	F210206P	Bearing Grease	
5	F210207P	Grease Gun	
6	F633426	Alignment Shaft Assembly	

Parts Index

A

AC Drive	
F8169603	15
F8169604	15
F8169661	15
F8169664	15
F8169665	15
Adapter	
F8265701	45, 47, 49
Air Coupling	
F422114	57, 59
Air Trap Hose	
F020014200	11
Alignment Shaft Assembly	
F633426	67
Auxiliary Control Assembly	
F8189401	11

B

Back Electrical Panel	
F8352401	25
Back Water Panel	
F8346301	25
Balance Switch Bracket	
F8124301	19
Basket Assembly	
F632015	33
Bearing	
F100150P	57
Bearing Grease	
F210206P	67
Belt	
F280309	59
F280353	57
Belt Access Guard Panel	
F8117501	21
Belt Edging	
70360901	21
Belt Guard Assembly	
F8244101	21
F8244201P	21
Bolt	
F430153	59
Bushing	
F280409P	57, 59
70346501	11

C

Cable Tie	
F140605	57, 59
Cap Plug	
F180486	13
Catch Basin	
F8118401	45

Center Back Panel	
F8346501	25
CFG Harness	
F8028109	11
Chemical Supply Cup	
F150385	39
F150386	39
Chemical Supply Hose	
F150469	39
F8265501	39
Circuit Breaker	
F8303001P	17
70256901P	17
Clean Filter Daily Decal	
F200061000	9, 17
Clip	
M400984	13
Clockwise Spin Rotation Decal	
F230652	27
Cold Spray Plumbing Assembly	
F8116801	45
Communication Board	
210095P	9
Concrete Epoxy Kit	
F8498101	67
Concrete Hardware Kit	
1113P	67
Connector	
F422500	11
J1408004	57, 59
Contact Block Switch	
F200233401	9
Contact Switch	
F8069501	9
Contacto	
F330177P	17
F330188P	17
Contacto Power Harness	
F8202001P	17
Containment Device	
F0380809-00	45
Control Assembly Kit	
F980P3	11
Control Board Bracket	
F8036101	9
Control Box Bottom	
F8077401	23
Control Box Contactor Panel	
F8055001	9
Control Box Partition	
F8077601	23
F8351801	25
Control Box Rear Panel	
F8170501	9
Control Box Top Panel	
F8170601	9
Control Harness	
F8173701P	11
Control Harness Tray	
F8073002	9
F8290303	9

N/A items do not appear in index.

Control Kit	
F982P3	9
F983P3	9
Control Module Decal	
F8427001	9
Conversion Label	
F8099701	23, 25
F8099801	23, 25
Cotter Pin	
F430401	59
Coupling	
F8154501	45
F8154502	45, 49
F8362701	47, 65
F8362702	51
Cover Decal	
F200318200	21

D

Diaphragm and Guide Kit	
G582P3	41, 43
DIN Coil	
F380987P	63
DIN Rail	
F8134001	17
F8200101	17
DIN Valve Adapter Kit	
F8382301	65
Dispenser Assembly	
F0150512-00P	39
Dispenser Lid	
F0150514-00	39
Dispenser Valve Harness	
F8091601P	41
F8347301	43
Do Not Tamper Label	
F8345901	15
Door Assembly	
F200119600	27, 29
F8350601	29
Door Bumper Bushing	
F430416	27, 29
Door Bumper Moulding	
F150366	27, 29
Door Butt Shim	
F0610695-00	27, 29
Door Gasket	
F017014501	27, 29
F170145	27, 29
Door Glass Gasket	
F170117	27, 29
Door Glass Kit	
F290200P	27
Door Glass Retainer	
F601239	27, 29
Door Handle Casting	
F150203	31
Door Hinge Pin	
F601815	27, 29
Door Hinge Strap Kit	
F200030600P	27, 29

Door Kit	
F730307	27, 29
F730539	27
Door Latch Bracket Shim	
F602058	31
Door Lock Assembly	
F8127701	31
Door Lock Cover	
F8127601	31
Door Lock Dielectric Shield	
F8135301	31
Door Lock Harness	
F8029101	31
F8029102	31
Door Lock Solenoid	
F300129P	31
Door Lock Solenoid Shim	
F8133601	31
Door Spray Nozzle Assembly	
F8356301	29
Door Switch	
F8165201	19, 31
Drain Hose	
F0603139-03	35
F150438	53, 55
F200165100	53, 55
F8261303	55
Drain Valve Cover	
F200133600	53, 55
Drain Valve Harness	
F8028301P	53
F8257001P	55
F8257002	53, 55
Drain Valve Kit	
F200166402	53, 55
Drain Valve Motor	
F380933P	53, 55
Drip Rail	
F150364	35, 37
Drive Box Bottom Panel	
F8282401	23
Drive Box Rear Panel	
F8278202	23
Drive Bracket	
F8322402	15
Drive Control Harness	
F8030101P	11
F8030201P	15
Drive Fan Harness	
F8113901	17
Drive Mounting Box	
F8346401	25
Drive Mounting Bracket	
F8386901	15
Drive Power Harness	
F8027802	15
Dual Drain Harness	
F8257101	53, 55

E

Earth Terminal Sticker	
M412096	17

N/A items do not appear in index.

Elbow	
F420503	45, 49
F420509	45, 49
F422319	27, 29
F422900	35
F422901	53
F8119201	53
70079601	63
Electric Heat Coils Harness	
F8054901	15
F8054903	15
Electric Heat Harness	
F8054601	15
F8054602	15
F8054603	15
F8054701P	61
F8054702	61
F8056701	61
Electric Shock Danger Label	
F8115501	17
Electrical Access Panel	
F8359201	25
Electrical Shock Label	
502511	9, 21, 23
Emergency Stop Harness	
F8060501	9
Emergency Stop Pushbutton	
F200233500	9
EMI Filter	
F8053901P	15
F8053902	15
EMI Filter Power Harness	
F8129001	15
Ethernet Gateway Kit	
NK320	9
Expansion Clip	
70030501	9, 11, 21, 23, 25
Extension Arm Kit	
F746803	31
Extension Arm Tab	
F601639	31
External Supply Box	
F8055301	9
External Supply Box Cover	
F635365	9
External Supply Connection Decal	
F8059801	9
F8150201	9
External Supply Harness	
F8029501P	13
F8191201P	13
External Supply Label	
F8161701	9
Extrusion Insert	
F150397	21

F

Face Seal	
F8162101	35, 37
F8162201	35, 37
Female Pin Terminal	
00117	13

Fill Plumbing Assembly	
F8100401	45, 49
F8288404	51
Fill Plumbing Connection	
F8117101	45, 49
Fill Port	
F8351601	47
Fill Valve Harness	
F8073702P	49
F8347102	47
F8347104	51
Fill/Spray Valve Harness	
F8073701P	45
Fill/Supply Harness	
F8158901P	49
F8347501	47, 51
Filter	
F200318900P	11, 17
Filter Retainer Guard	
F220900	11, 17
Frame Weldment	
F8073801	35, 37
F8166101	35, 37
Front Bearing Kit	
F798824-00	57, 59
Front Box Cover	
F8099401	23
Front Bulkhead Panel	
F8278301	23
F8346201	25
Front Panel	
F8096101P	21
Fuse	
802492	11
802493	11

G

Gasket	
F170158P	39
Gate Valve	
F380500	45, 49
Glass	
F290201P	27, 29
Grease Fitting	
F190701	57, 59
Grease Gun	
F210207P	67
Grease Gun Kit	
F798700	67
Grease Instruction Decal	
F231563	57, 59
Ground Decal	
F230630	15
F230739	15
Ground Lug Connector	
M411283	17

H

Handle Spacer	
F609822	31

N/A items do not appear in index.

Handle Weldment F609427	27, 29
Harness	
F8030001	17
F8030002P	17
Harness Tray Cover	
F8073102	9
F8290803	9
Heating Element	
F360203P	61
Heating Element Plug	
F360202	61
High Hole Glass	
F8350501P	29
Hole Plug	
F8223801	17
Hose	
C002662	47
F200104P	45
F8137502	45, 49
F8137504	45
F8232006	47
F8232007	47, 51
F8339501	45
Hose Adapter	
F421908	45, 47, 49
F421909	45, 49
Hose Barb	
F421929	35, 37, 53, 55
F421951	45, 47, 49
F421964	45, 49
F8110701	45, 47, 51
Hose Clamp	
F200201	53, 55
F200213	35, 37, 39, 53, 55
F200222	11, 45, 47, 49
36801	35, 37, 41, 43, 47, 51, 53, 55
Hose Connector	
F200302	41
Hot Spray Plumbing Assembly	
F8074701	45
Hot Surface Warning Decal	
F200085000	27, 29
Hot Surface Warning Plate	
F8211901	23
Hot Water and Chemical Caution Decal	
F200085300	39
<hr/>	
I	
Injection Nozzle	
F8322001	39
Injection Nozzle Kit	
F730168	39
Insulator	
M413862	15
Interlock Contactor	
F330186P	17
Interlock Switch	
F340900	31
Interlock Switch Harness	
F8030501P	11
F8158801P	11

Interlock Switch Spacer F601055	31
--	----

J

Jumper Configuration Assembly	
M413507	11
Jumper Harness Assembly	
M413506	11

K

Key	
F430801	59
F430802	57, 59

L

Left Side Cover	
F8077202	23
F8278102	23
F8352602	25
Left Side Panel	
F8099602P	21
Lock Bracket	
F8127401	31
Logic Supply Power Harness	
F8060001	15
Lower Door Latch Bracket Casting	
F150202	31
Lower Door Latch Casting	
F150204	31

M

Magnet	
F8390801	31
Main Power Harness	
F8060301	15
Male Tab Terminal	
00177	11, 17
Manifold	
F8333201	47, 51
Manual Bearing Greasing Retrofit Kit	
F745401	57
Molded Drain	
F8351301	55
Motor	
F8330501P	59
F8334601P	57
Motor Adjustment Strap	
F602166	59
Motor Bushing	
F280214	59
Motor Drip Shield	
F200280700	59
Motor Harness	
F8049201	57

N/A items do not appear in index.

Motor Kit	
F8356401	57
Motor Pulley Bushing	
F280211P	57
Motor Support Rod Kit	
F730076	59
Mount on Concrete Warning Label	
F8246401	21
Mounting Bolt Kit	
F730055-1	67
Moving Parts Plug Warning Decal	
F200085500	35, 37
Muffin Fan	
F110110	11, 17

N

Network Board Assembly	
201341	11
Network Board Bracket	
F8079401	11
Network Controller Kit	
NK220	9
Network Retrofit Kit	
NK205	9
Network Wire Harness Assembly	
44088501P	11
Nipple	
F420101	45, 49
F420103	45
F420105	45, 49
F420108	45, 49
F421921	47
F8110201	45, 49
F8110601	45
No-Swivel Coupling	
F422109	27, 29
Nut	
F430211	21
F430215	33
F430231	11, 17, 31
F430232	11
F430233	59
F430264	21, 31
F431005	27, 29, 39
F431011	31
F431022	27, 29, 33
F431026	27, 29, 31
F8322601	29
20274	35, 37, 57
44087301	19
685846	9
70030401	21, 23
70142	35, 37
802292	39
802337	31

O

O-Ring	
F0170221-00	45
F170201	27, 29
F170208	39

F170215	39
Output Assembly	
F8108501P	11
Output Auxiliary Power Harness	
F8028401	11
Output/Logic Harness	
F8028701	9
Overflow Hose	
F0150488-00	53, 55
Overlay	
F8297101	9

P

Panel Locator	
56079	21
PC Board Standoff	
210098	9
Pipe	
F0602364-04	35
F0602365-07	53
F0602365-11	53
F0602365-20	53
F0602365-27	53, 55
F060236531	53
Pipe Nipple	
70263801	63
901403	63, 65
Plug	
F0200237-00	35
F140527	13
F420409	63, 65
F8144101	17
F8223901	13, 17
M400985	13
Plug Cap	
F190304	39
Pop Rivet	
F431210	9, 11, 27, 29, 31
F431215	35, 37, 53, 55
70058501	17, 23
Power Distribution Block Cover	
44014901P	15
Power Harness	
F8060401P	11
F8367801	11
Pulley	
F280146P	57, 59
F280410	57, 59
Push Decal	
F230303	27, 29
Push Handle Kit	
F746201-1	27, 29

R

Rear Bearing Kit	
F745010	57, 59
Rear Drive Box Panel	
F8118302	23
Rear Water Box Panel	
F8118301	23

N/A items do not appear in index.

Rebar Frame Kit F798770	67
Rebar Frame Template F602941	67
Reducer Bushing F421936	19
F422602	53, 55
F8100301	45
Reed Switch Assembly F8066801P	31
Reuse Kit F924P3	67
Reversing Contactor Harness F8131801	17
Reversing Contactor Jumper Assembly 44136801	17
Right Side Cover F8077201	23
F8278101	23
F8352601	25
Right Side Panel F8099601P	21
Ring Retainer F310206	27, 29
Rivet M412763	21
Rocker Switch F8367701	9
Rotation Sensor F8066201	19
Rotation Sensor Bracket F8103101	19
Rotation Sensor Harness F8066401	19
Rub Rail F150408	21

S

Screw	
F430103	27, 29
F430168	31
F430174	9
F430502	27, 29
F430518	33
F430903	9, 11, 17
F430909	31
F430910	11
F430913	35, 37
F430916	31
F430917	27, 29, 31, 33, 39
F430921	21
F430924	35, 37
F430927	19, 31
F430938	45
F430948	11, 41, 43
F430956	21, 31
F430993	57
F430995	31
F8111101	19
F8117601	9, 11, 21, 23
F8122701	19
F8136601	13
F8151201	17
F8206901	11, 21, 23, 25

M411072	15, 17, 21
M412105	17
20253	21, 23, 47
39733	15
51780	13, 17
51783	17
70182601	21
70240301	21
70321501	65
70391101	33
70442301	47
Scupper F150389	35, 37, 53, 55
Seal Kit F798819-00	35, 37
Shaft Lift Tool Kit F8436801P	57
Shaft Seal Alignment Fixture F0100312-00	67
Shell Band Assembly F603344P	33
Shell Band Fastener Kit F791001	33
Shell Band Gasket F170120RP	33
F8302001	33
Shell Front Assembly F200120000	27, 29
Shell Front Weldment F8135801P	27, 29, 33
Shell Gasket Shield F601216	33
Shell Mounting Bracket F601806	35, 37
Shell Reinforcement Plate Assembly F8084201	35, 37, 53, 55
Shell Weldment F8081701	35, 63
F8081702	35, 61
F8273301	35, 63
F8273302	35, 61
F8351501	37, 63
F8351502	37, 61
F8366001	65
Side Electrical Panel F8352501	25
Side Panel Cover F8098301	21
Side Water Box Panel F8359001	25
Slinger F100203	35, 37
Snap Bushing F140938	11
M402542	13, 17
M405340	11
Soap Dispenser Shroud Weldment F8024301	39
Solenoid Mount Bracket F8127501	31
Spin Warning Decal F200085100	39
Spray Nozzle Gasket F8322701	29

N/A items do not appear in index.

Spray Pipe Assembly	
F8126201	29
F8126202	27
Spray Rinse Bracket Assembly	
F602901P	27, 29, 33
Spray Rinse Hose Assembly	
F730026	27
F8379701	29
Spray Rinse Nozzle Kit	
F730077	27
Spray Rinse Strap	
F602880	27, 29, 33
Spring	
F310127	59
Steam Assembly	
F8104501	63
F8394501	65
Steam Filter	
F270307	63, 65
Steam Heat Kit	
F943P3	65
F947P3	63
Steam Hose	
F200197	63, 65
Steam Injector Tube Assembly	
F603131	63, 65
Steam Valve	
F380787P	63
Steam-Electric Switch Label	
F8368301	9
Step Down Power Harness	
F8405101	17
Strain Relief Adapter Kit	
F749802	39
Strain Relief Connector	
F140340P	39
Strainer	
F270200	41
Street Elbow	
F420502	45, 49
F421703	63, 65
H86070034	63
Supply Controls Bracket	
F8103001	9
Supply Dispenser Spacer	
F0150525-00	39
Supply/Fill Module Harness	
F8073601P	45
Support Bracket	
F8302601	23
F8302602	23
Swivel Coupling	
F422108	27, 29

T

Tee	
F420402	45, 49
F422208	47
F422802	53
F422803	53
F8137401	35, 37, 53, 55
F8246601	11

Temperature Harness	
F8028221P	19
F8028223	19
Terminal Block	
M413865	15
430642	15
Terminal Block Assembly	
F8106401	13
Terminal Block Shield	
70333001	15
Thermistor Sensor	
F370609	19
Top Center Panel	
F8099201	23
Top Cover	
F8374101	25
Top Latch Bracket Casting	
F150201P	31
Top Support Brace	
F8099301	23
Transformer	
F360157P	17
201616	11
Transformer Kit	
210019P	11
Trim	
F170400RP	39
F170404	23
F8152701	9
F8152703	17
Trim Seal	
F100284	35, 37
Tubing	
C000628P	57, 59
F8153901	11
F8339601	11

U

U-Bolt Clamp	
F200401P	45, 49, 63
UniLinc PC and PDA Software CD	
F8133301	67
F8133701	67
USB Gateway Kit	
NK330	9
USB IR Device Assembly	
F8167901	67
Use Copper Conductors Only Caution Label	
F8242201	15

V

Vacuum Breaker Cap	
F0380808-00	45
Vacuum Breaker Valve	
F063754701P	45
F380800P	45
Valve	
F381701P	45, 49
F381703P	45
F8322801P	65

N/A items do not appear in index.

F8322803P	47, 51
Valve Kit	
F8379501	47, 51
Valve Mounting Bracket	
F8331901	43
Valve Repair Kit	
F380993P	45
Valve, 4-Way	
F381723P	41
F8336601	43
Vent Hose	
F8261301	35
F8363601	37

Wire Label	
70218701	15
Wireless Network Kit	
NK301	9

Y

Y Connector	
F422816	41, 43

W

Warning Label	
F8233501	9, 23, 25, 45, 49
44127701	11, 15, 21, 23, 25, 35, 37
500049	21
Washer	
F430300	57
F430317	33
F430332	59
F431100	21, 27, 29, 31, 39
F431108	31
F431112	35, 37
F431113	33
F431116	35, 37
F431118	31
F431133	39
F431134	57
F431147	39
M400013	35, 37
M400014	35, 37, 57
M400080	59
M400081	35, 37, 57
M405535	21
20290	45, 47, 49
803615	45, 47, 49
901690	59
Water Box Bottom Panel	
F8278401	23
Water Box Rear Panel	
F8278201	23
Water Box Side/Front	
F8078601	23
Water Hose	
F200107P	35, 37, 53, 55
F200110P	41, 43
F200164	45, 47, 49
F200165	45
F200166	45, 47, 49
Water Line Caution Decal	
F230734	23
Water Pressure Switch	
F8223001P	11
Water Valve Assembly Decal	
F230754	41
Water Valve Repair Kit	
F380991P	45, 49
Wet-Clean Kit	
F923P3	67
F925P3	67

N/A items do not appear in index.