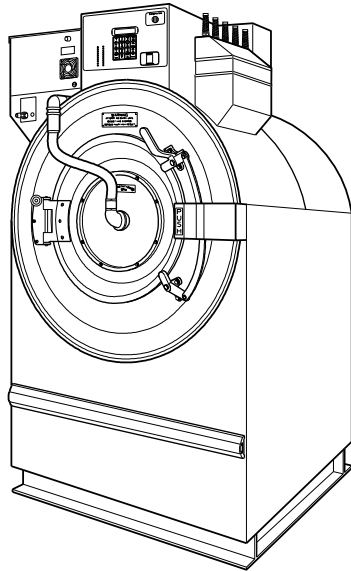


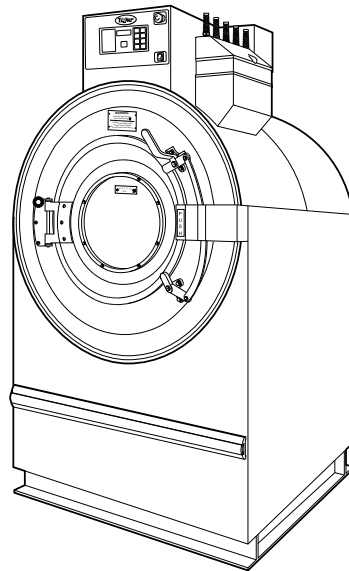
# Washer-Extractor

Pocket Hardmount

Refer to Page 5 for Model Numbers



Models UW80PV and UW100PV



Models UW80AV, UW80VV, UW100AV and UW100VV

PHM1407C\_F238015



# Table of Contents

Title	Page
Parts Ordering Information.....	3
Nameplate Location .....	3
Model Identification .....	5
Pocket Hardmount Washer-Extractor Product Overview .....	6
Decals .....	8
Control Module - Models UW80PV and UW100PV (Drawing 1 of 4).....	10
Control Module - Models UW80PV and UW100PV (Drawing 2 of 4).....	12
Control Module - Models UW80PV and UW100PV (Drawing 3 of 4).....	14
Control Module - Models UW80PV and UW100PV (Drawing 4 of 4).....	16
Control Module - Models UW80VV and UW100VV .....	18
Control Module - Models UW80AV and UW100AV .....	20
Control Module - Models UW80AV, UW80VV, UW100AV and UW100VV.....	22
Control Module (Drawing 1 of 2) .....	24
Control Module (Drawing 2 of 2) .....	26
Control Module - UW80PV and UW100PV Design 8 Models with 1336 Drives.....	28
Control Module - Models UW80PV and UW100PV - Design 8 Models with PowerFlex 40 AC Drive.....	30
Control Module - PowerFlex 40 Drive Kits .....	32
Balance Switch, Temperature Probe and Rotation Sensor .....	34
Front, Rear and Side Panels.....	36
Door and Spray Tube Assembly .....	38
Door Lock.....	40
Basket, Shell and Frame (Drawing 1 of 2) .....	42
Basket, Shell and Frame (Drawing 2 of 2) .....	44
Supply Dispenser .....	46
Water Supply Valve and Hoses to Supply Dispenser .....	48
Spray Plumbing - UW80PV and UW100PV Design 5 and 6 Models .....	50
Spray Plumbing - UW80PV and UW100PV Design 7 and 8 Models .....	52
Fill Plumbing - UW80PV and UW100PV Design 5 and 6 Models Through 2/02.....	54
Fill Plumbing - UW80PV and UW100PV Design 5 and 6 Models Starting 3/02.....	56
Fill Plumbing - Design 7 and 8 Models (Drawing 1 of 2).....	58
Fill Plumbing - Design 7 and 8 Models (Drawing 2 of 2).....	60
Drain System, Overflow and Vent Pipes.....	62
Motor, Pulley and Bearings.....	64
Electric Heat Option - Models UW80PV and UW100PV.....	66
Transformers and Steam Heat Option .....	68
Water-Saving System Option Main View - Design 5 and 6 UW100PV Models .....	70
Water-Saving System Option Main View - Design 7 and 8 UW100PV Models .....	72
Water-Saving System Option Pump Sub-Assembly - Model UW100PV .....	74
Water-Saving System Option Control Module Sub-Assembly - Model UW100PV .....	76
Water-Saving System Option Inlet - Model UW100PV .....	78
Wet-Clean Option Main View - Models UW80PV and UW100PV.....	80

© Copyright 2013, Alliance Laundry Systems LLC

All rights reserved. No part of the contents of this book may be reproduced or transmitted in any form or by any means without the expressed written consent of the publisher.

Wet-Clean Option Control Module - Models UW80PV and UW100PV .....	82
Security Fasteners .....	84
Special Tools .....	86
Motor Manufacturer Part Number on the Motor's Nameplate .....	88
Parts Index .....	89

# Parts Ordering Information

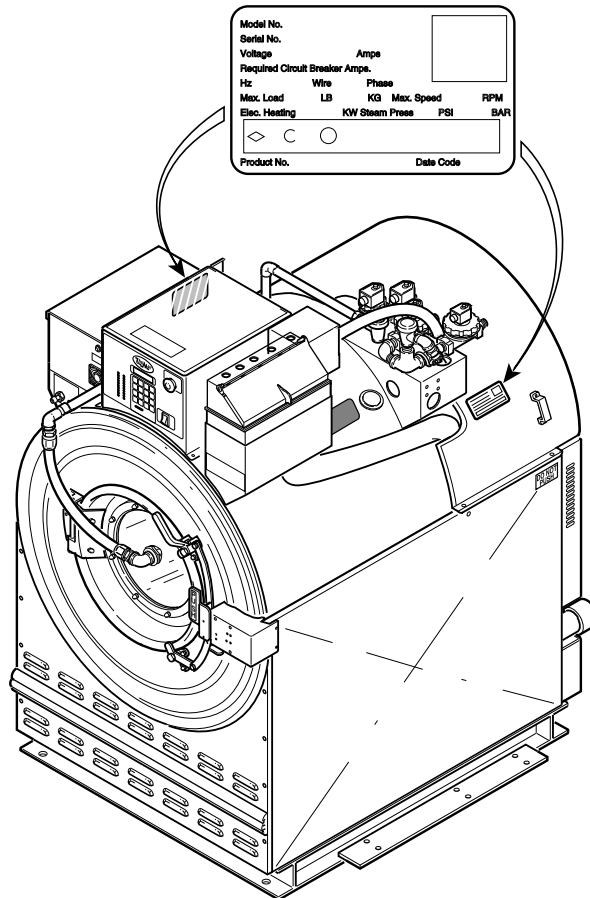
If literature or replacement parts are required, contact the source from whom the machine was purchased or contact Alliance Laundry Systems at (920) 748-3950 for the name and address of the nearest authorized parts distributor.

For technical assistance, call either of the numbers listed below:

(920) 748-3121 Ripon, Wisconsin  
+32 56 41 20 54 Wevelgem, Belgium

# Nameplate Location

When calling or writing about your product, be sure to mention model and serial numbers. Model and serial numbers are located on nameplate(s) as shown.



PHM2494P\_F238015



## Model Identification

Information in this manual is applicable to these washer-extractor models:

UW80AV  
UW100AV

UW80PV  
UW100PV

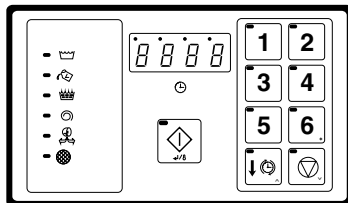
UW80VV  
UW100VV

**NOTE:** This manual applies to models with either 5, 6, 7 or 8 in the 9th or 10th position in the model number (e.g. UW80PVQU600001)

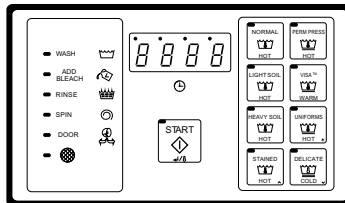
# Pocket Hardmount Washer-Extractor Product Overview

Model No. UW60AMXUB0001  
 Serial No. 0000000000  
 Voltage 200 – 240      Amps 10  
 Circuit Breaker 15 Amps  
 Hz 50 – 60      Wire 2/3      Phase S 3  
 Max. Load 60 LB      27 KG      Max. Speed 594 RPM  
 Elec. Heating N/A      Steam Press. N/A PSI      0.0 BAR

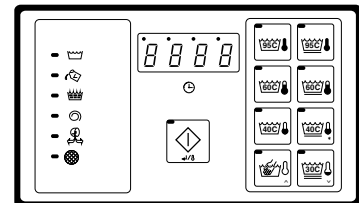
**Drawings:**  
 ETL Listed  
 Conforms To ANSI/UL Std. 1206, 3rd Ed  
 Certified To CAN/CSA Std. C22.2 No.53-1968



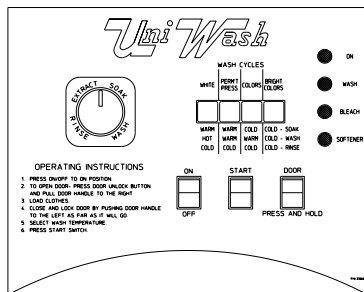
A-Control



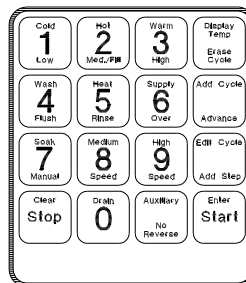
B-Control (Domestic)



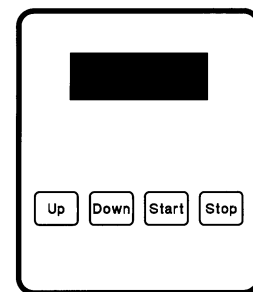
B-Control (International)



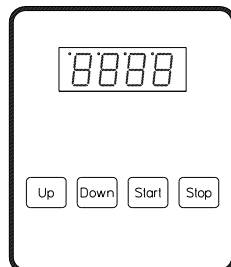
Mechanical Timer



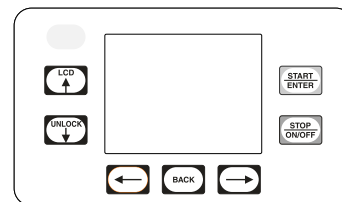
WE-6 Control



S-Computer



V-Computer



UniLinc Control

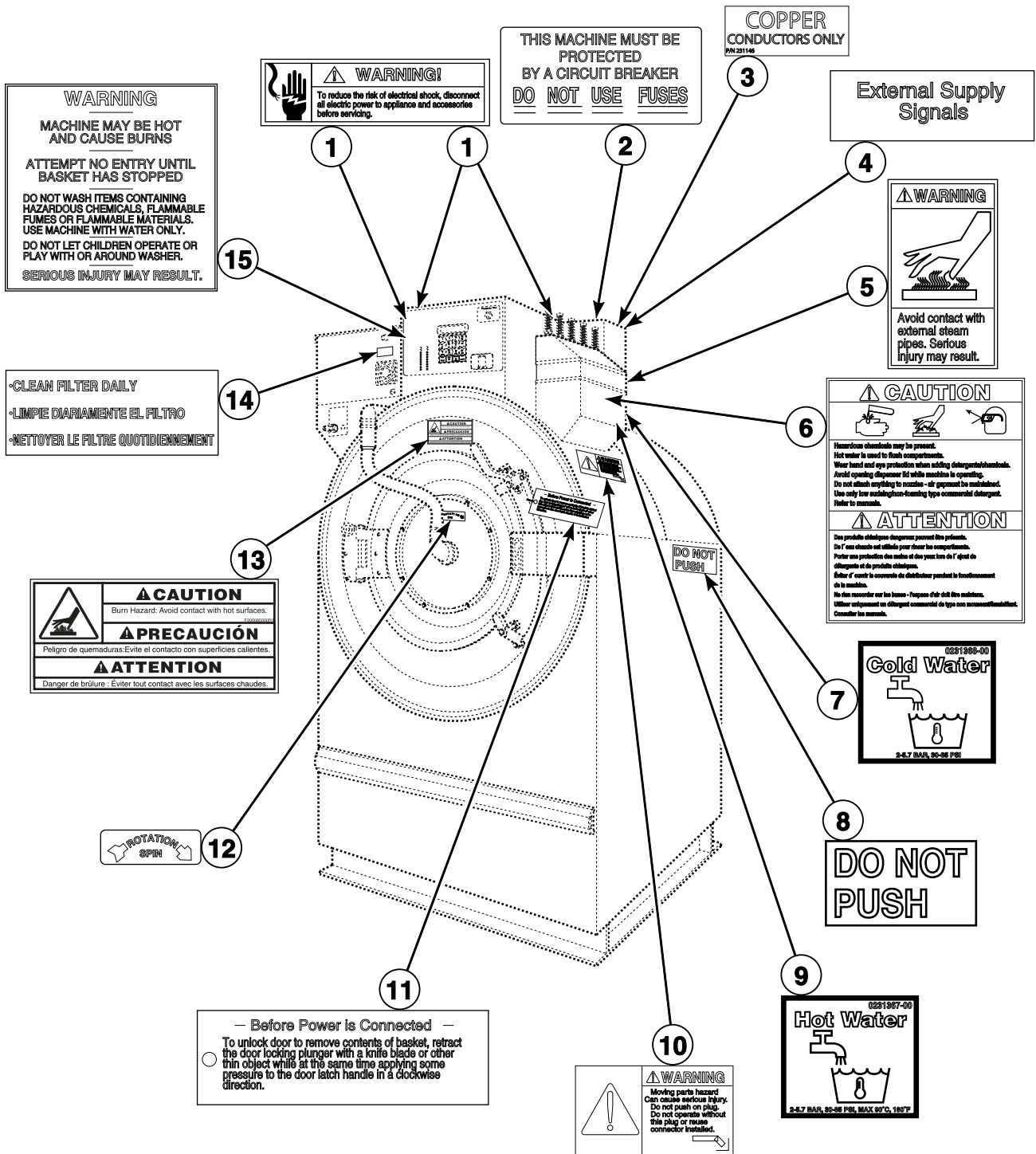
PHM2979P\_F238015



# Pocket Hardmount Washer-Extractor Product Overview

REF	PART NO.	DESCRIPTION	COMMENTS
1	-	Product Family	UW
2	-	Capacity (Pounds)	35 60 80 100 125 150
3	-	Control	A (A-Control) B (B-Control) M (Mechanical Timer) P (WE-6 Control) S (S-Computer) V (V-Computer) T (UniLinc Control)
4	-	Speed	2 (2-Speed) 3 (3-Speed) 4 (4-Speed) V (Variable-Speed)
5	-	Voltage	F (440-480/60/3/3) N (440-480/50-60/3/3) O (208-240/60/3/3) P (380-415/60-60/3/3) Q (200-208/220-240/50/60/3ph) R (380-415/440-480/50/60/3ph) X (200-220/220-240/50/60/1-3) Y (208-240/60/1/2)
6	-	OEM	U (Standard Specs)
7	-	Design Series	1-8

# Decals

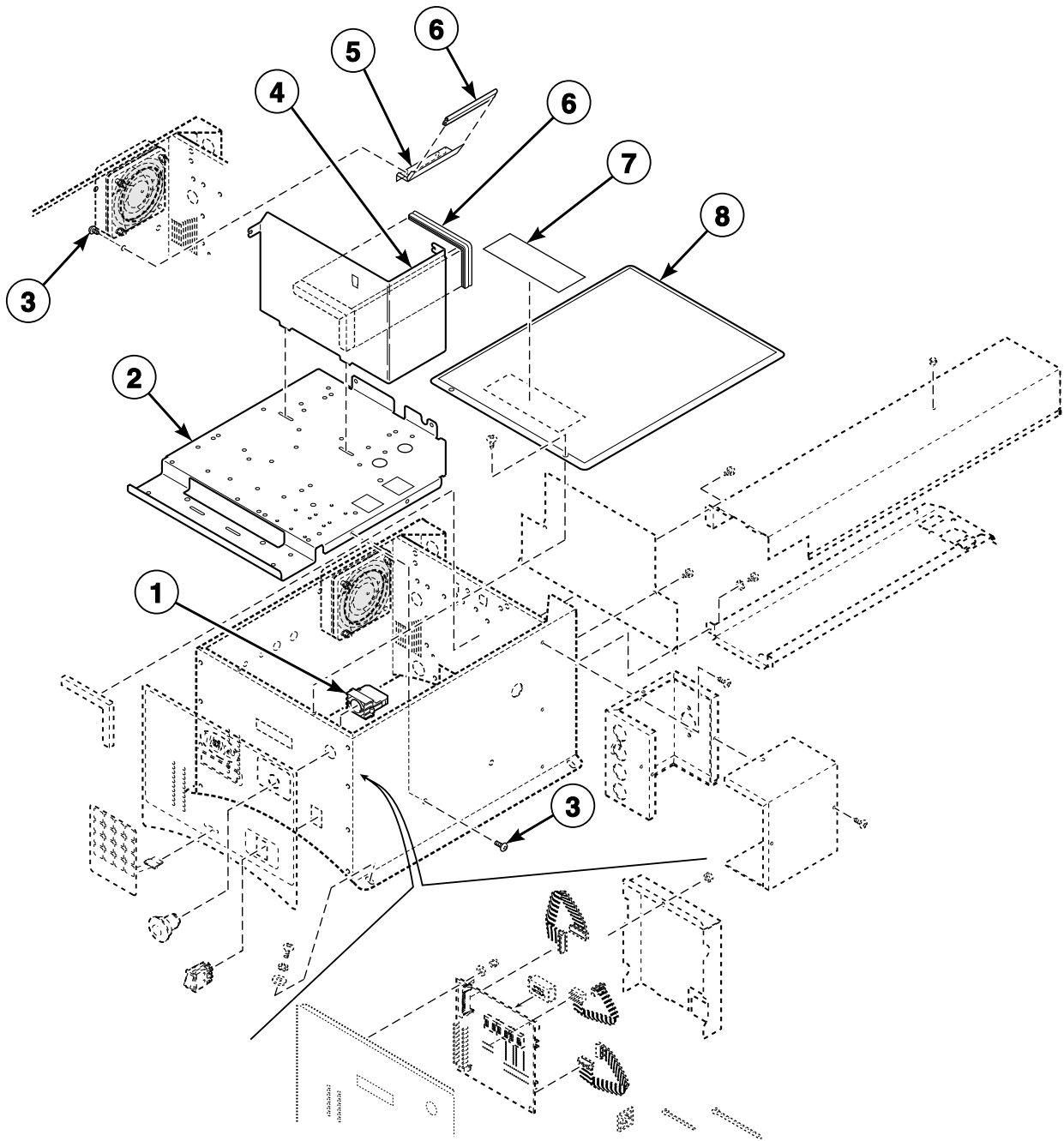


PHM2893P\_F238015

# Decals

REF	PART NO.	DESCRIPTION	COMMENTS
1	505281	Disconnect Power Warning Label	
2	F230301	This Machine Must Be Protected Decal	
3	F231146	Conductor Decal	
4	F230764-9	External Supply Connection Decal	N and P-voltage
	F231345-5	External Supply Caution Decal	N and P-voltage
	F231345-4	External Supply Caution Decal	Q-voltage
	F230764-10	External Supply Connection Decal	Q-voltage
5	F231380	Hot Surface Warning Decal	
6	F231436	Supply Dispenser Hazard Caution Decal	
7	F231368	Cold Water Valve Decal	
8	F230302	Do Not Push Decal	
9	F231367	Hot Water Valve Decal	
10	F0230112-00	Plug Removal Warning Decal	Models UW80PV and UW100PV
11	F230501	Before Power Is Connected Tag	
12	F230652	Clockwise Spin Rotation Decal	
13	F200085000	Hot Surface Warning Decal	
14	F200061000	Clean Filter Daily Decal	Models UW80PV and UW100PV; Design 8
15	F231065	Personal Injury Warning Decal	

# Control Module - Models UW80PV and UW100PV (Drawing 1 of 4)



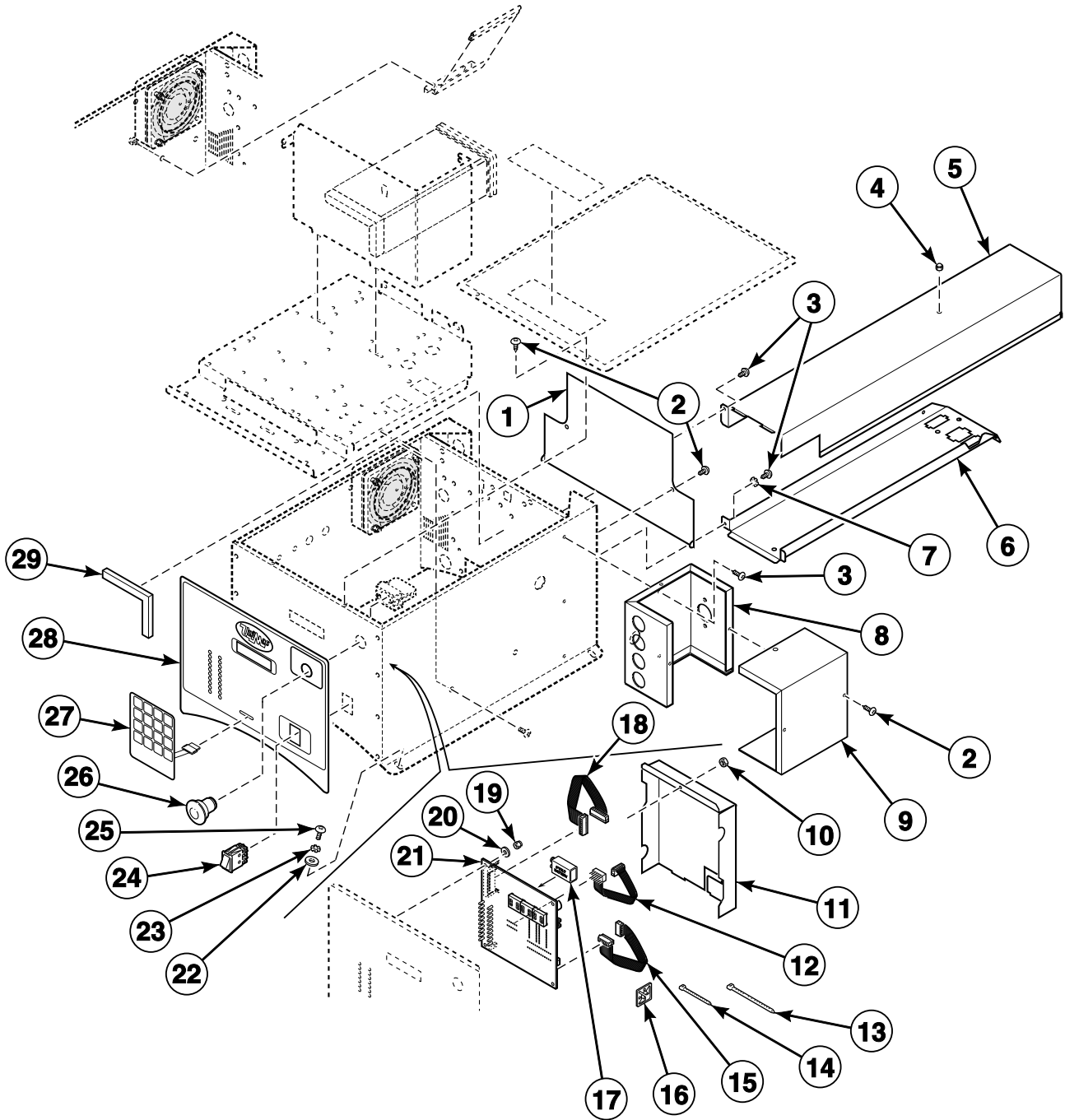
PHM2486P\_F238015

## Control Module - Models UW80PV and UW100PV (Drawing 1 of 4)

REF	PART NO.	DESCRIPTION	COMMENTS
1	F340445	Contact Block Switch	800E-series; Models through 8/31/07; Includes mounting base
	F200299500	Contact Block Switch	800E-series; Models through 8/31/07; Does not include mounting base
	F200233401	Contact Block Switch	800F-series; Models starting 9/1/07
2	N/A	Control Mounting Panel Assembly	
3	F430928	Screw	Design 7
4	F635366	AC Drive Partition	Design 5 and 6
	F0637753-00	AC Drive Partition Assembly	Design 7
5	F0637748-00	Air Flow Ramp Assembly	Design 7
6	F170404	Trim	Order 1 foot; Design 7
7	505281	Disconnect Power Warning Label	Warning: High voltage
8	F635456	Control Module Cover	

**N/A = Part no longer available**

# Control Module - Models UW80PV and UW100PV (Drawing 2 of 4)



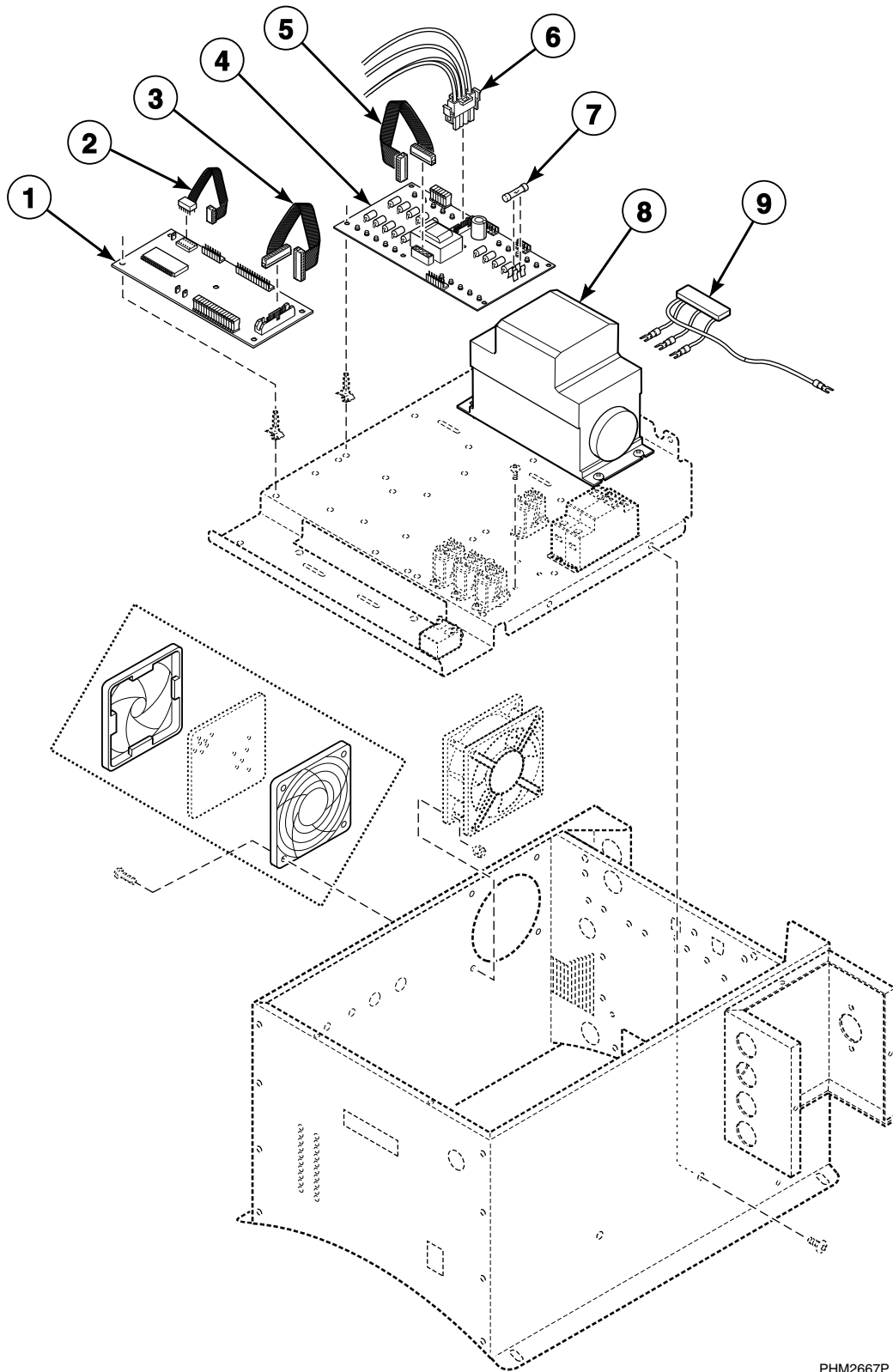
PHM2486PA\_F238015

## Control Module - Models UW80PV and UW100PV (Drawing 2 of 4)

REF	PART NO.	DESCRIPTION	COMMENTS
1	F635448	Electrical Access Panel	Design 5 and 6
	F0637549-00	Electrical Access Panel	Design 7 and 8
2	70240301	Screw	
3	F430917	Screw	
4	F431026	Nut	
5	F635480	Cable Tray Cover	Model UW80PV
	F635378	Cable Tray Cover	Model UW100PV
6	F0635615-03	Cable Tray Assembly	Model UW80PV
	F0635615-04	Cable Tray Assembly	Model UW100PV
7	F431113	Washer	
8	F635468	External Supply Box	
9	F635365	External Supply Box Cover	
10	F431000	Nut	
11	F606826	Computer Cover	
12	F140248P	Ribbon Cable	16 conductor; 15 inch; From computer board to interface board; J1 plug; DIP socket
13	F140606	Cable Tie	15 inch
14	F140605	Cable Tie	6 inch
15	F140218P	Ribbon Cable	16 conductor; 12 inch; From interface board to computer board; J8 plug
16	F140602	Tie Wrap Mounting Clamp	
17	F191101	Battery	9 Volt; Backup
18	F140219P	Ribbon Cable	26 conductor; 15 inch; From computer board to output board
19	F430231	Nut	
20	F431125	Washer	
21	F037062441P	WE-6 Computer	Models with a 160-series or 1336-series inverter drive
	F200276400P	WE-6 Computer	Models with a PowerFlex inverter drive
22	F431123	Washer	
23	F431108	Washer	
24	F340412	Momentary Switch	Models through 5/26/04
	F200120100	Momentary Switch	Models starting 5/27/04
25	F8136401	Screw	
26	N/A	Emergency Stop Pushbutton	800E-series; Models through 8/31/07; Order F200233700P Emergency Stop Button Kit
	F200233700P	Emergency Stop Button Kit	Used to convert from 800E-series to 800F-series; Includes F200233500 Emergency Stop Pushbutton and F200233401 Contact Block Switch
	F200233500	Emergency Stop Pushbutton	800F-series; Models starting 9/1/07
27	F230724P	Keypad Decal	WE-6 keypad
28	F231562	Control Module Decal	WE-6 control module
29	F170151	Seal	Design 7

N/A = Part no longer available

# Control Module - Models UW80PV and UW100PV (Drawing 3 of 4)



PHM2667P\_F238015



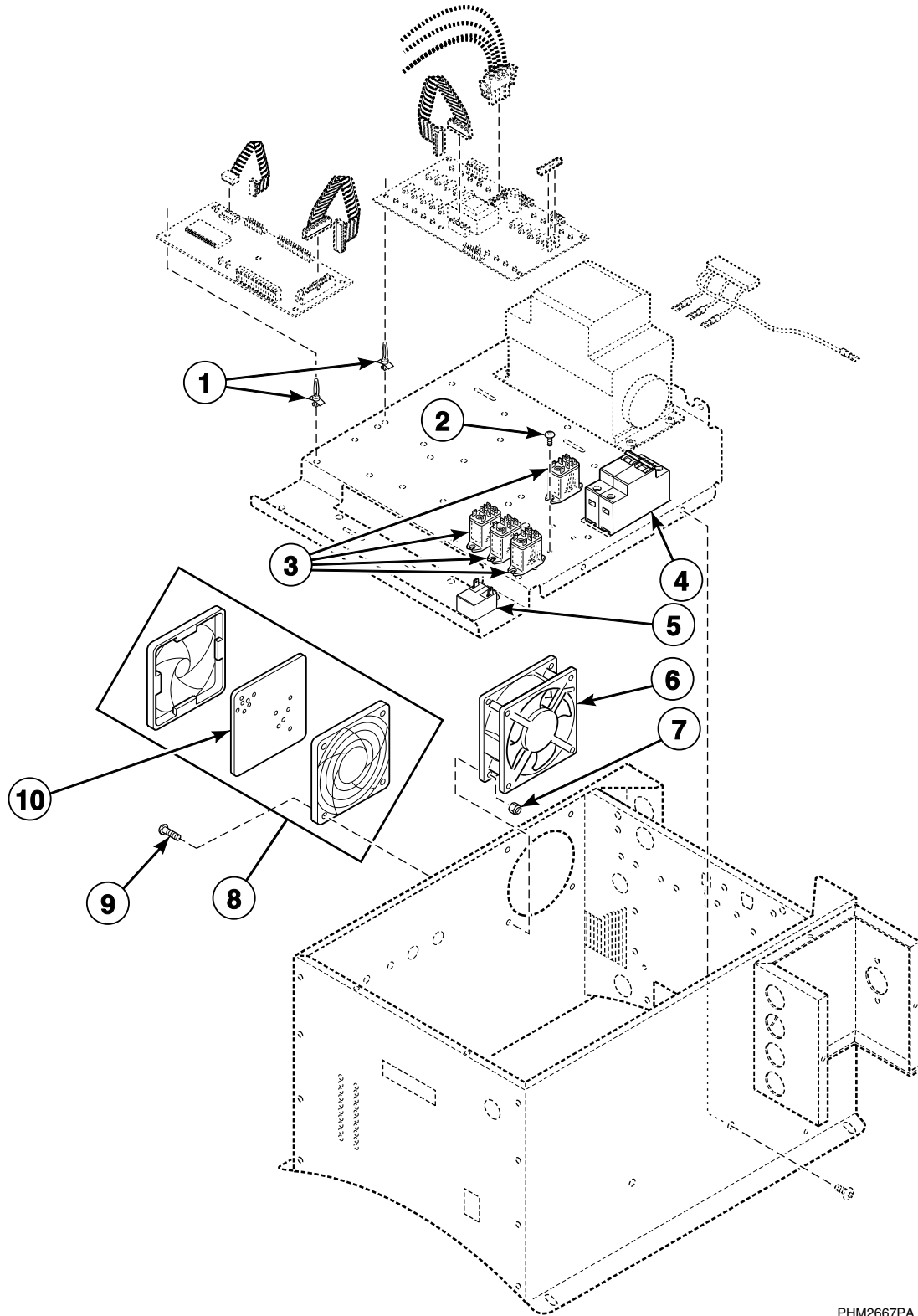
## Control Module - Models UW80PV and UW100PV (Drawing 3 of 4)

REF	PART NO.	DESCRIPTION	COMMENTS	
1	F0370446-21P	WE-6 Interface CCA Kit		
2	F140218P	Ribbon Cable	16 conductor; 12 inch; From interface board to computer board; J8 plug	
3	F140248P	Ribbon Cable	16 conductor; 15 inch; From interface board to computer board; J1 plug; DIP socket	
4	F8321901P	Output CCA		
5	F140219P	Ribbon Cable	26 conductor; 15 inch; From computer to output board	
6	F784003P	Jumper Kit		
7	F350108	Fuse	1/8 Amp; Slo blo	
	F350109	Fuse	1/2 Amp; Fast blo	
	F350110	Fuse	1 Amp; Slo blo	
8	N/A	Drive Kit	Model UW80PV; Q-voltage, Design 5; Replaces F370853 Inverter Drive; Used with Magnetek/AO Smith F220237 Motor (Motor manufacturer Part No.* F-391995-61); Order F8171801 160 to PowerFlex 40 Drive Kit	
	N/A	Drive Kit	Model UW80PV; Q-voltage, Design 6 and 7; Replaces F370853 Inverter Drive; Used with Magnetek/AO Smith F220438 Motor (Motor manufacturer Part No.* F-392264-60); Order F8171802 160 to PowerFlex 40 Drive Kit	
	N/A	Drive Kit	Model UW80PV; N and P-voltage, Design 5; Replaces F370854 Inverter Drive; Used with Magnetek/AO Smith F220237 Motor (Motor manufacturer Part No.* F-391995-61); Order F8171901 160 to PowerFlex 40 Drive Kit	
	N/A	Drive Kit	Model UW80PV; N and P-voltage, Design 6 and 7; Replaces F370854 Inverter Drive; Used with Magnetek/AO Smith F220438 Motor (Motor manufacturer Part No.* F-392264-60); Order F8171902 160 to PowerFlex 40 Drive Kit	
	N/A	Drive Kit	Model UW100PV; Q-voltage, Design 5; Replaces F370853 Inverter Drive; Used with Magnetek/AO Smith F220438 Motor (Motor manufacturer Part No.* F-392264-60); Order F8172001 160 to PowerFlex 40 Drive Kit	
	N/A	Drive Kit	Model UW100PV; Q-voltage, Design 6 and 7; Replaces F370853 Inverter Drive; Used with Magnetek/AO Smith F220438 Motor (Motor manufacturer Part No.* F-392264-60); Order F8172002 160 to PowerFlex 40 Drive Kit	
	N/A	Drive Kit	Model UW100PV; N and P-voltage, Design 5; Replaces F370854 Inverter Drive; Used with Magnetek/AO Smith F220237 Motor (Motor manufacturer Part No.* F-391995-61); Order F8172101 160 to PowerFlex 40 Drive Kit	
	F8172104	160 to PowerFlex 40 Drive Kit	Model UW100PV; N and P-voltage, Design 6 and 7; Replaces F370854 Inverter Drive; Used with Magnetek/AO Smith F220438 Motor (Motor manufacturer Part No.* F-392264-60)	
	9	F200320901	AC Drive Radio Filter Assembly	

N/A = Part no longer available

\* NOTE: Refer to the *Motor Manufacturer Part Number on the Motor's Nameplate* section for help with locating the motor manufacturer part number on the motor's nameplate.

# Control Module - Models UW80PV and UW100PV (Drawing 4 of 4)

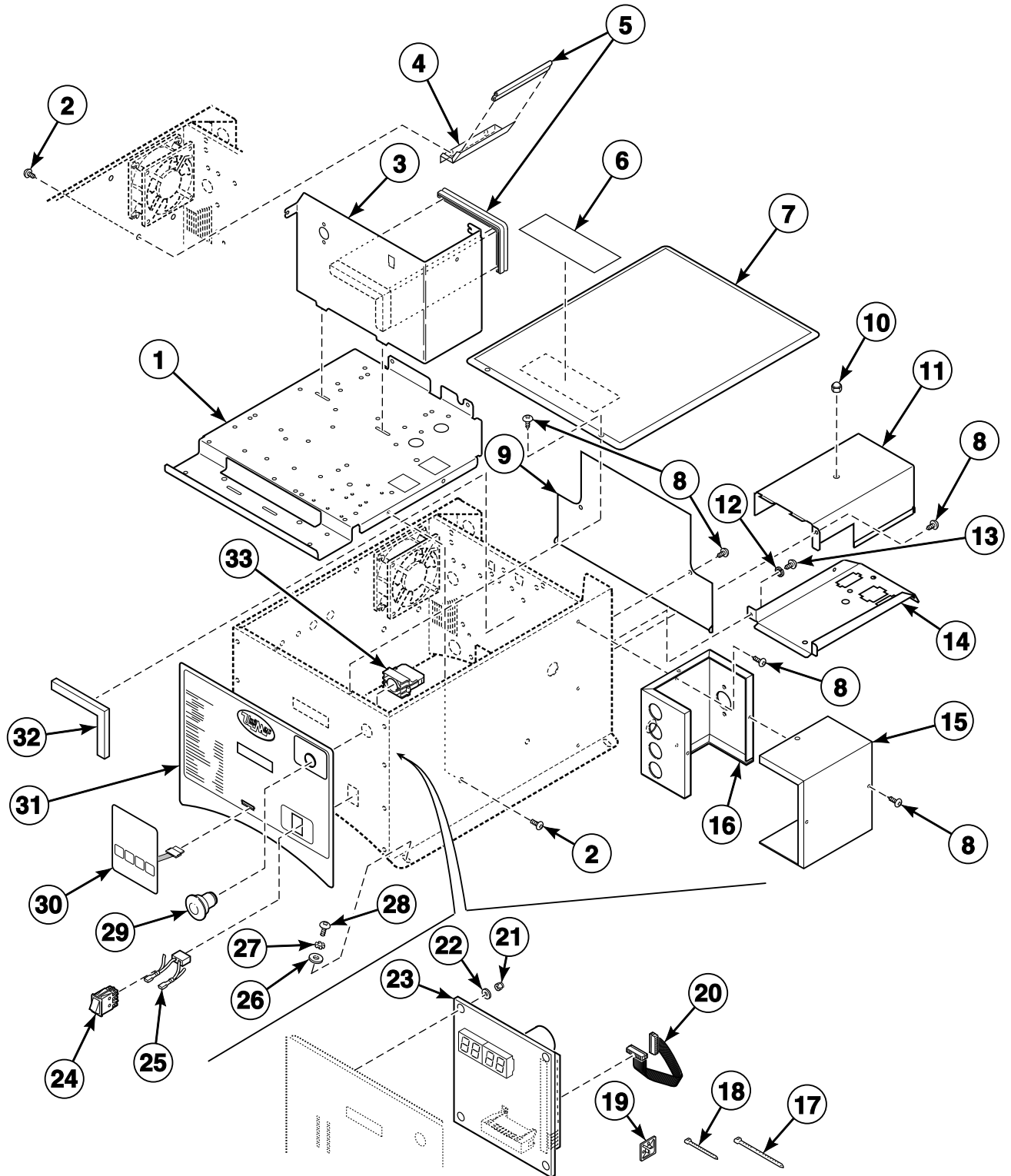


PHM2667PA\_F238015

## Control Module - Models UW80PV and UW100PV (Drawing 4 of 4)

REF	PART NO.	DESCRIPTION	COMMENTS
1	F180506	Standoff	
2	F0430165-00	Screw	
3	F330230	Flange Relay	220 Volt; 4 used
4	F8303001P	Circuit Breaker	1 Amp
5	F300206	Buzzer	220 Volt
6	F110105	Muffin Fan	220 Volt; 4 inch; Design 5, 6 and 7
7	F430231	Nut	
8	F220900	Filter Retainer Guard	Includes item 18
9	F430910	Screw	
10	F200318900P	Filter	

# Control Module - Models UW80VV and UW100VV



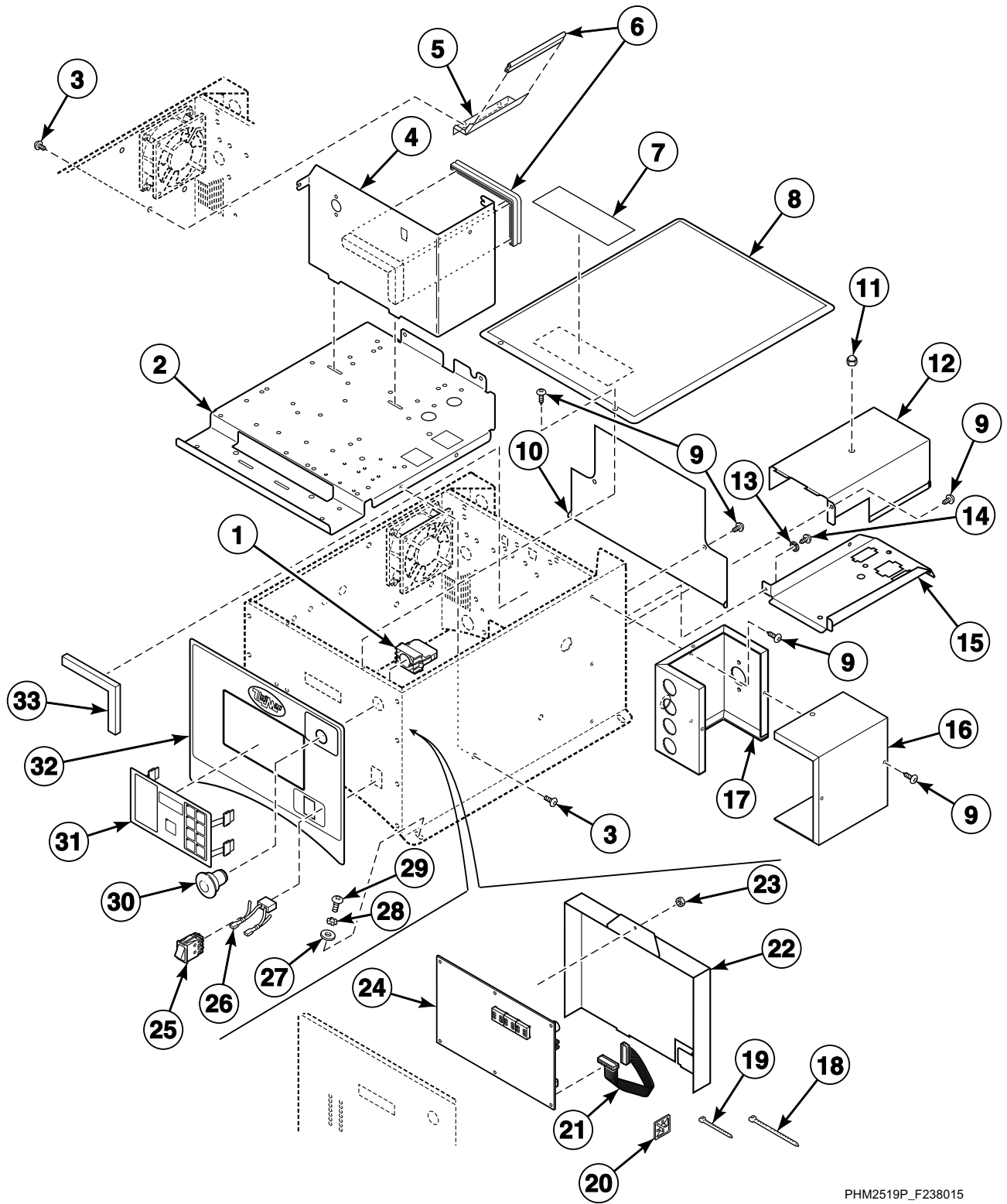
PHM2441P\_F238015

## Control Module - Models UW80VV and UW100VV

REF	PART NO.	DESCRIPTION	COMMENTS
1	N/A	Control Mounting Panel Assembly	
2	F430928	Screw	
3	F635366	AC Drive Partition	
4	F0637748-00	Air Flow Ramp Assembly	
5	F170404	Trim	Order 1 foot
6	505281	Disconnect Power Warning Label	
7	F634558	Control Module Cover	
8	70240301	Screw	
9	F0637549-00	Electrical Access Panel	
10	F431026	Nut	
11	F635480	Cable Tray Cover	Model UW80VV
	F635378	Cable Tray Cover	Model UW100VV
12	F431113	Washer	
13	F430917	Screw	
14	F0635615-03	Cable Tray Assembly	Model UW80VV
	F0635615-04	Cable Tray Assembly	Model UW100VV
15	F635365	External Supply Box Cover	
16	F635468	External Supply Box	
17	F140606	Cable Tie	15 inch
18	F140605	Cable Tie	6 inch
19	F140602	Tie Wrap Mounting Clamp	
20	F140219P	Ribbon Cable	26 conductor; 15 inch; Connects the microcomputer to the output board cca
21	F430231	Nut	
22	F431125	Washer	
23	F0370313-09P	Microcomputer	
24	F340412	Momentary Switch	Models through 5/26/04
	F200120100	Momentary Switch	Models starting 5/27/04
25	F330217P	RC Network Filter	Includes F140627 Connector and F141022 Connector
26	F431123	Washer	
27	F431108	Washer	
28	F8136401	Screw	
29	N/A	Emergency Stop Pushbutton	800E-series; Models through 8/31/07; Order F200233700P Emergency Stop Button Kit
	F200233700P	Emergency Stop Button Kit	Used to convert from 800E-series to 800F-series; Includes F200233500 Emergency Stop Pushbutton and F200233401 Contact Block Switch
	F200233500	Emergency Stop Pushbutton	800F-series; Models starting 9/1/07
30	F370576P	Keypad	
31	F231417	Control Module Decal	
32	F170151	Seal	Order 1 foot
33	F340445	Contact Block Switch	800E-series; Models through 8/31/07; Includes mounting base
	F200299500	Contact Block Switch	800E-series; Models through 8/31/07; Does not include mounting base
	F200233401	Contact Block Switch	800F-series; Models starting 9/1/07

**N/A = Part no longer available**

# Control Module - Models UW80AV and UW100AV



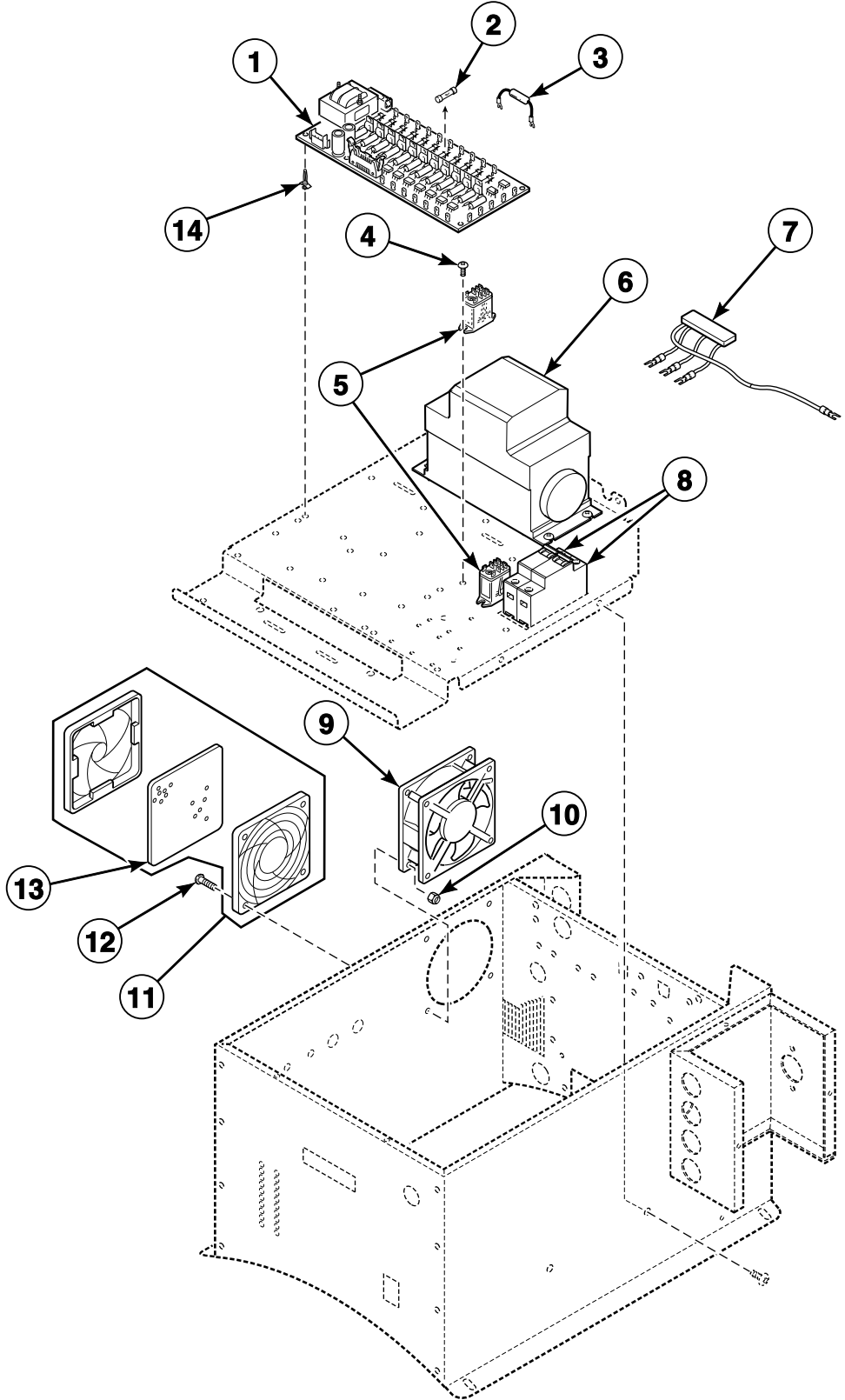
PHM2519P\_F238015

## Control Module - Models UW80AV and UW100AV

REF	PART NO.	DESCRIPTION	COMMENTS
1	F340445	Contact Block Switch	800E-series; Models through 8/31/07; Includes mounting base
	F200299500	Contact Block Switch	800E-series; Models through 8/31/07; Does not include mounting base
	F200233401	Contact Block Switch	800F-series; Models starting 9/1/07
2	N/A	Control Mounting Panel Assembly	
3	F430928	Screw	
4	F635366	AC Drive Partition	
5	F0637748-00	Air Flow Ramp Assembly	
6	F170404	Trim	Order 1 foot
7	505281	Disconnect Power Warning Label	
8	F200134600	Control Module Cover	
9	70240301	Screw	
10	F0637549-00	Electrical Access Panel	
11	F431026	Nut	
12	F635480	Cable Tray Cover	Model UW80AV
	F635378	Cable Tray Cover	Model UW100AV
13	F431113	Washer	
14	F430917	Screw	
15	F0635615-03	Cable Tray Assembly	Model UW80AV
	F0635615-04	Cable Tray Assembly	Model UW100AV
16	F635365	External Supply Box Cover	
17	F635468	External Supply Box	
18	F140606	Cable Tie	15 inch
19	F140605	Cable Tie	6 inch
20	F140602	Tie Wrap Mounting Clamp	
21	F140219P	Ribbon Cable	26 conductor; 15 inch; Connects the microcomputer to the output board cca
22	F0636887-00	Control Cover	
23	F430231	Nut	
24	F037047530P	Computer	
25	F200120100	Momentary Switch	
26	F330217P	RC Network Filter	Includes F140627 Connector and F141022 Connector
27	F431123	Washer	
28	F431108	Washer	
29	F8136401	Screw	
30	N/A	Emergency Stop Pushbutton	800E-series; Models through 8/31/07; Order F200233700P Emergency Stop Button Kit
	F200233700P	Emergency Stop Button Kit	Used to convert from 800E-series to 800F-series; Includes F200233500 Emergency Stop Pushbutton and F200233401 Contact Block Switch
	F200233500	Emergency Stop Pushbutton	800F-series; Models starting 9/1/07
31	F023158231P	Keypad	
32	F0231565-00	Control Module Decal	
33	F170151	Seal	Order 1 foot

**N/A = Part no longer available**

# Control Module - Models UW80AV, UW80VV, UW100AV and UW100VV



PHM2692P\_F238015

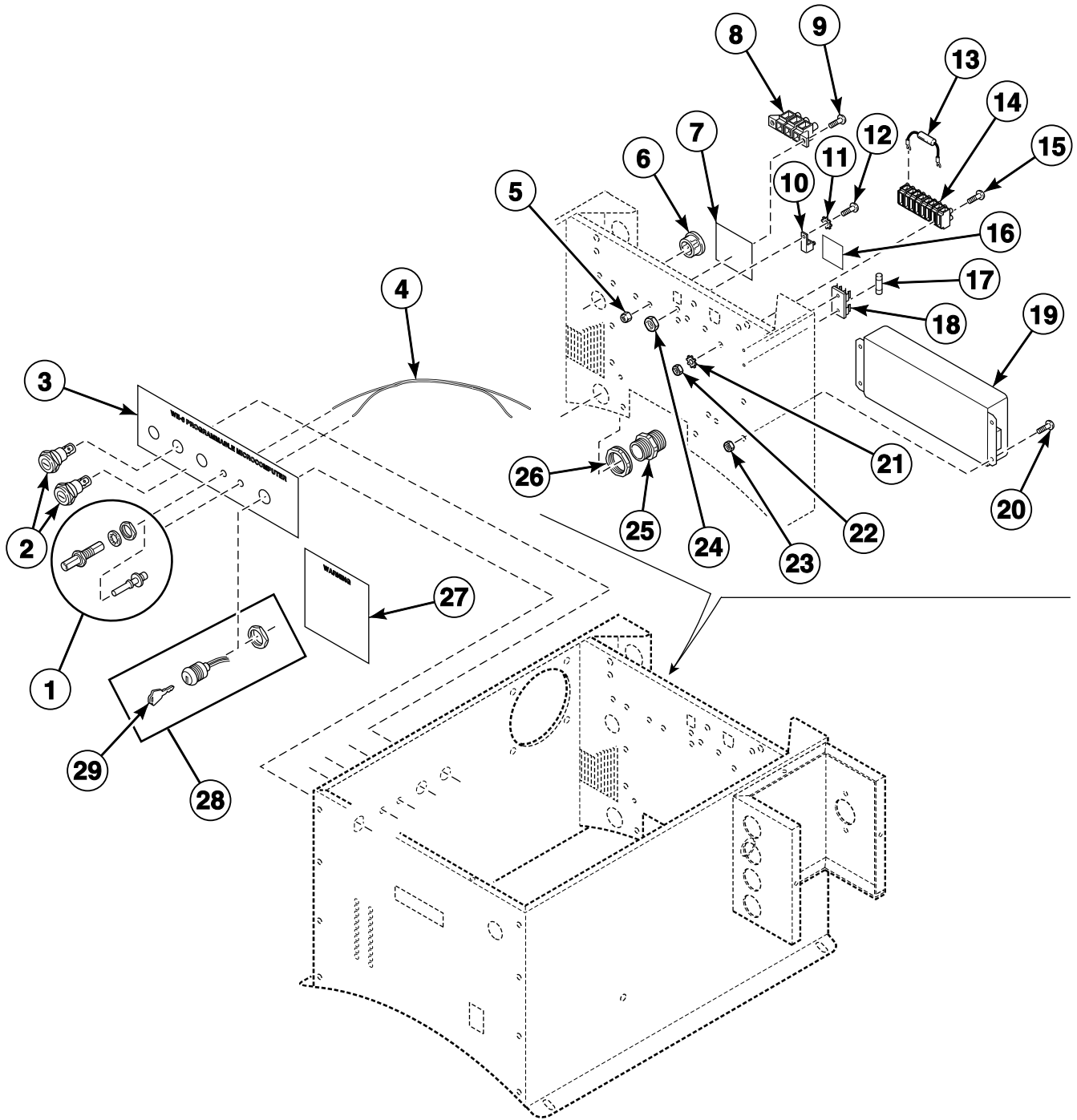


## Control Module - Models UW80AV, UW80VV, UW100AV and UW100VV

REF	PART NO.	DESCRIPTION	COMMENTS
1	F370447-6P	Output Board CCA	Models UW80VV and UW100VV
	F037044860-2	Output CCA	Models UW80AV and UW100AV
2	F350108	Fuse	1/8 Amp; Slo blo
	F350109	Fuse	1/2 Amp; Fast blo
	F350110	Fuse	1 Amp; Slo blo
	F350142	Fuse	2 Amp; Slo blo
3	F370116	Resistor	
4	F0430165-00	Screw	
5	F330230	Flange Relay	220 Volt
6	N/A	Inverter Drive	Q-voltage; Order PowerFlex Conversion Kit
	N/A	Inverter Drive	N-voltage; Order PowerFlex Conversion Kit
7	F200320900	AC Drive Radio Filter Assembly	
8	F8303001P	Circuit Breaker	N-voltage
9	F110105	Muffin Fan	220 Volt; 4 inch
10	F430231	Nut	
11	F220900	Filter Retainer Guard	Includes item 12
12	F430910	Screw	
13	F200318900P	Filter	
14	F180506	Standoff	

**N/A = Part no longer available**

# Control Module (Drawing 1 of 2)



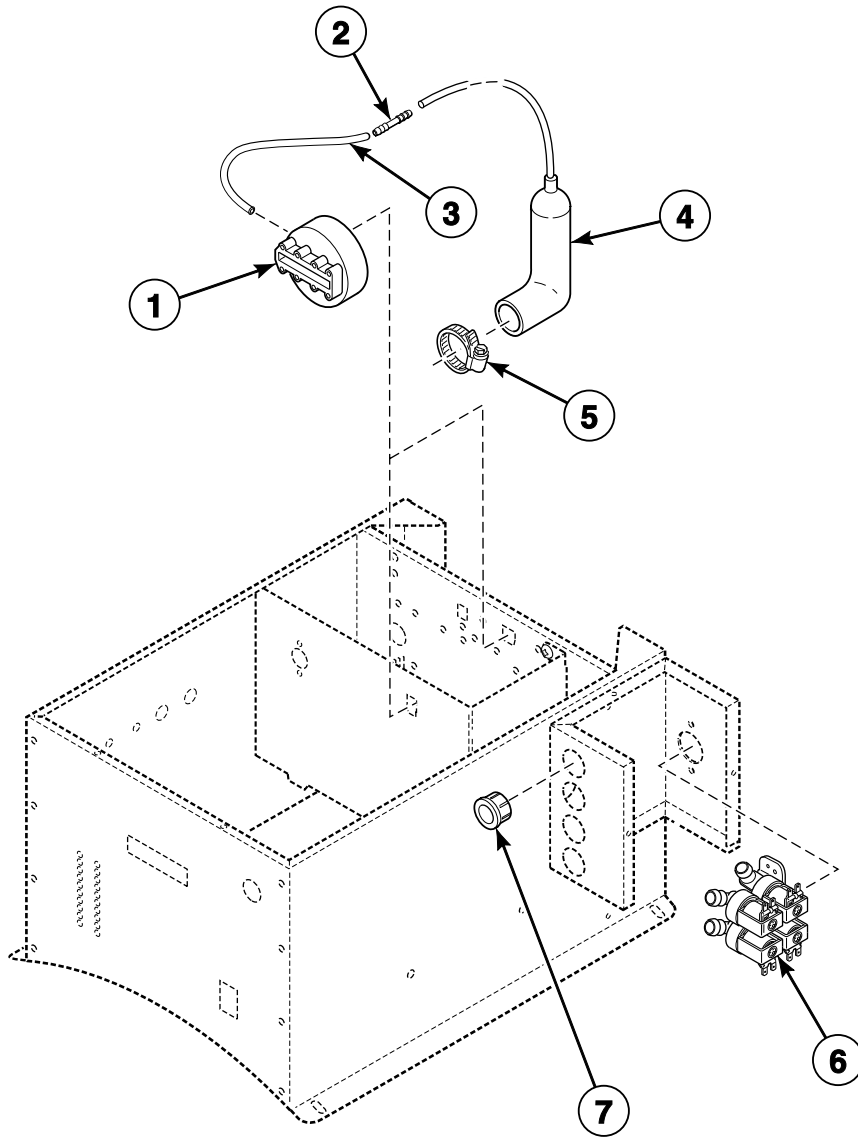
PHM2543P\_F238015

## Control Module (Drawing 1 of 2)

REF	PART NO.	DESCRIPTION	COMMENTS
1	F140575P	Connector	Models UW80PV and UW100PV; Gray
	F140576P	Connector	Models UW80PV and UW100PV; Blue
2	F350210	Circuit Breaker	2 Amp; 2 used; Models UW80PV and UW100PV; Models through 5/12/03
	F0350313-00P	Fuse Holder	Models UW80PV and UW100PV starting 5/12/03; All other models
	F350142	Fuse	Models UW80PV and UW100PV starting 5/12/03; All other models
3	F231564	Switch Mode Decal	Models UW80PV and UW100PV; Models through 5/12/03
	F0231632-00	Switch Mode Decal	Models UW80PV and UW100PV; Models starting 5/12/03
	F0231629-00	Fuse Decal	Models UW80AV, UW100AV, UW80VV and UW100VV
4	F604713	Cable Assembly	Models UW80PV and UW100PV
5	F431022	Nut	
6	F140909	Insulator Bushing	
7	F0231636-00	Input Block Decal	Input power connection
8	F140794-1	Input Power Block	
9	F430938	Screw	
10	F140734	Ground Terminal Lug	
11	F431106	Washer	
12	F430903	Screw	
13	F370116	Resistor	Models UW80PV and UW100PV
14	F140782	Terminal Block	Models UW80PV and UW100PV; 11 place
	F140776	Terminal Block	Models UW80AV, UW100AV, UW80VV and UW100VV; 8 place
15	F430995	Screw	
16	F230630	Ground Decal	
17	F350115	Fuse	3 Amp; Fast blo; 5 x 20 mm
18	F0350312-10	Fuse Holder	
19	F330284	EMI Filter	Models UW80PV and UW100PV; Option/export; Q-voltage
	F330283	EMI Filter	Models UW80PV and UW100PV; Option/export; N and P-voltage
	F8080001P	AC Drive Resistor Assembly	200 Volt
	F8079901P	AC Drive Resistor Assembly	400 Volt
20	F430909	Screw	
21	F431108	Washer	
22	F431006	Nut	
23	F431016	Nut	
24	F431000	Nut	
25	N/A	Connector	CE models; PG21
	F180486	Cap Plug	Used in place of items 25 and 26 on non-CE models
26	N/A	Nut	CE models
27	F231065	Personal Injury Warning Decal	
28	F200174600P	Keymode Assembly	Models UW80PV and UW100PV; N and P-voltage models starting 10/7/04 through 1/14/05; Includes item 29
	F340800P	Keymode Run/Program Switch	Models UW80PV and UW100PV; All other voltages; N and P-voltage through 10/6/04 and starting 1/15/05; Includes item 29
29	F370709	Program Key	Models UW80PV and UW100PV; Key code A153

**N/A = Part no longer available**

# Control Module (Drawing 2 of 2)

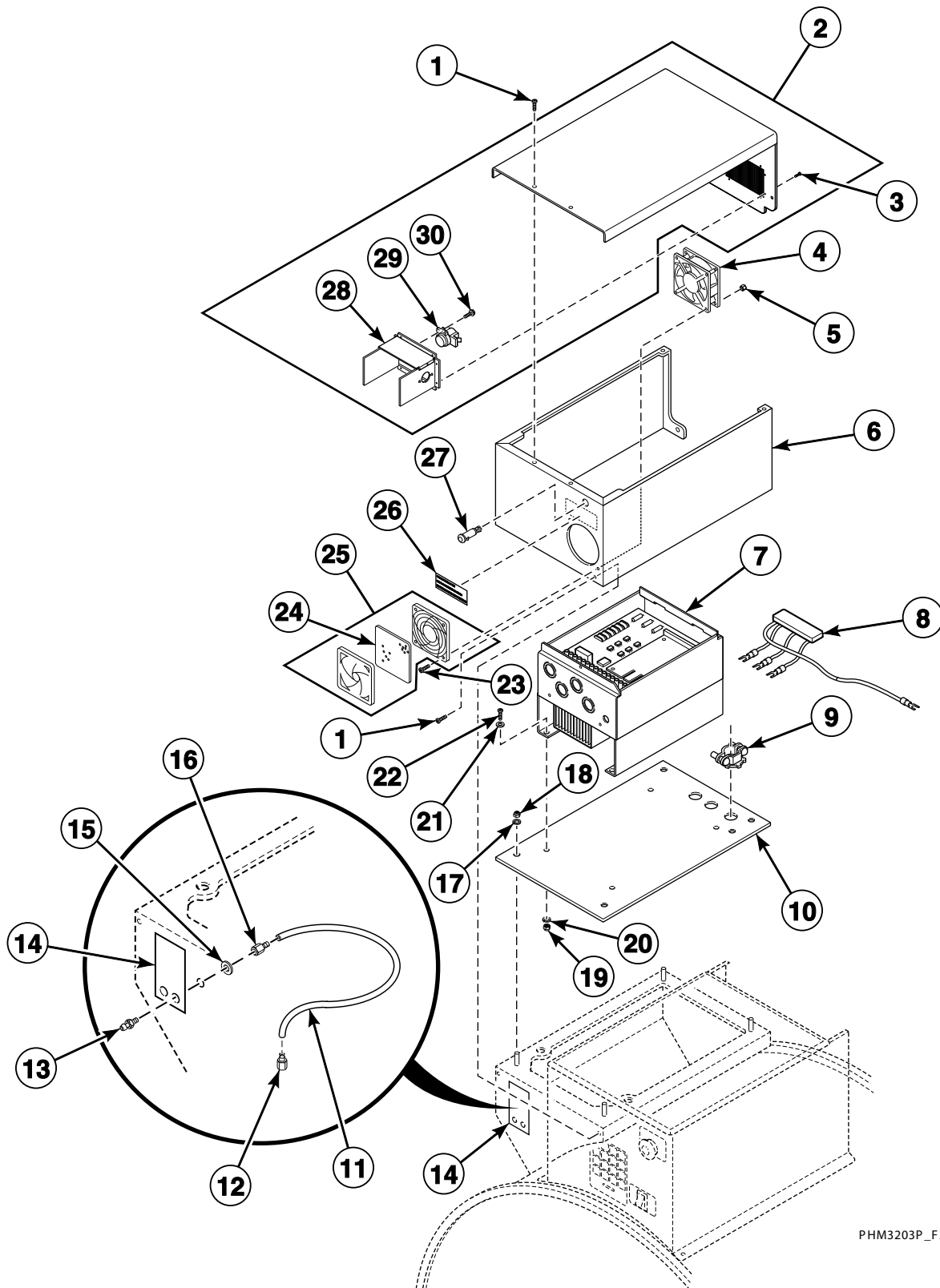


PHM2247P\_F238015

## Control Module (Drawing 2 of 2)

REF	PART NO.	DESCRIPTION	COMMENTS
1	F0340346-10P	Water Level Switch	
2	F422500	Connector	
3	F422404P	Tubing	
4	F200163	Air Trap Hose	
5	F200215	Hose Clamp	No. 28
6	F381723P	4-Way Valve	220 Volt
	G582P3	Diaphragm and Guide Kit	
7	F140938	Snap Bushing	

# Control Module - UW80PV and UW100PV Design 8 Models with 1336 Drives



PHM3203P\_F238015

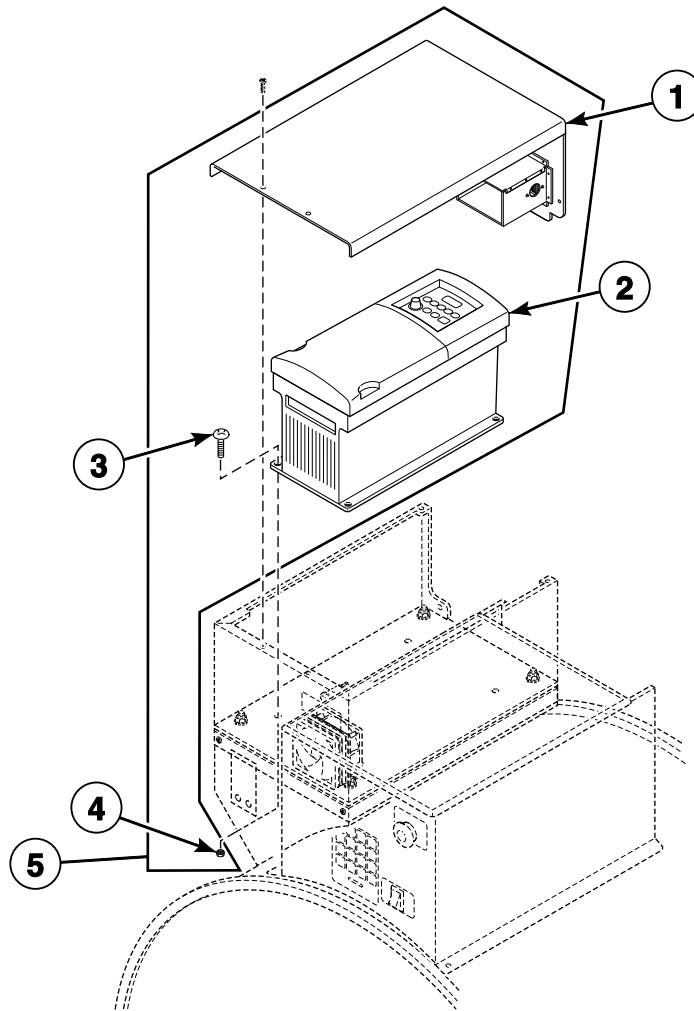
## Control Module - UW80PV and UW100PV Design 8 Models with 1336 Drives

REF	PART NO.	DESCRIPTION	COMMENTS
1	F430986	Screw	
2	F200097600	Top Exhaust Panel Assembly	Includes items 3 and 28
3	F431215	Pop Rivet	
4	F110105	Muffin Fan	220 Volt; 4 inch
5	F430231	Nut	
6	F200097800	AC Drive Enclosure Weldment	
7	N/A	Drive Kit	Model UW80PV; N and P-voltage; Used with Magnetek/AO Smith F220438 Motor (Motor manufacturer Part No.* 392264); Order F079903101 PowerFlex 40 AC Drive Retrofit Kit
	N/A	Drive Kit	Model UW80PV; Q-voltage; Used with Magnetek/AO Smith F220438 Motor (Motor manufacturer Part No.* 392264); Order F079903100 PowerFlex 40 AC Drive Retrofit Kit
	N/A	Drive Kit	Model UW80PV; Q-voltage; Used with Magnetek/AO Smith F220438 Motor (Motor manufacturer Part No.* 392264); Order F079903200 PowerFlex 40 AC Drive Retrofit Kit
	N/A	Drive Kit	Model UW100PV; N and P-voltage; Used with Magnetek/AO Smith F220438 Motor (Motor manufacturer Part No.* 392264); Order F079903201 PowerFlex 40 AC Drive Retrofit Kit
8	F200320901	AC Drive Radio Filter Assembly	
9	F140312	Connector	
10	F8018200	Drive Mounting Plate Assembly	
11	C000628P	Tubing	
12	J1408004	Connector	
13	F190701	Grease Fitting	
14	F231563	Grease Instruction Decal	Lubrication
15	F430332	Washer	
16	F422114	Air Coupling	
17	F431100	Washer	
18	F431024	Nut	
19	F431004	Nut	
20	F431137	Washer	
21	F431101	Washer	
22	N/A	Screw	
23	F430910	Screw	
24	F200318900P	Filter	
25	F220900	Filter Retainer Guard	Includes item 24
26	F200061000	Clean Filter Daily Decal	
27	F350413	Light	
28	F200060700	AC Drive Exhaust Duct	
29	F290115	Thermostat	
30	F0430165-00	Screw	

N/A = Part no longer available

\* NOTE: Refer to the *Motor Manufacturer Part Number on the Motor's Nameplate* section for help with locating the motor manufacturer part number on the motor's nameplate.

# Control Module - Models UW80PV and UW100PV - Design 8 Models with PowerFlex 40 AC Drive



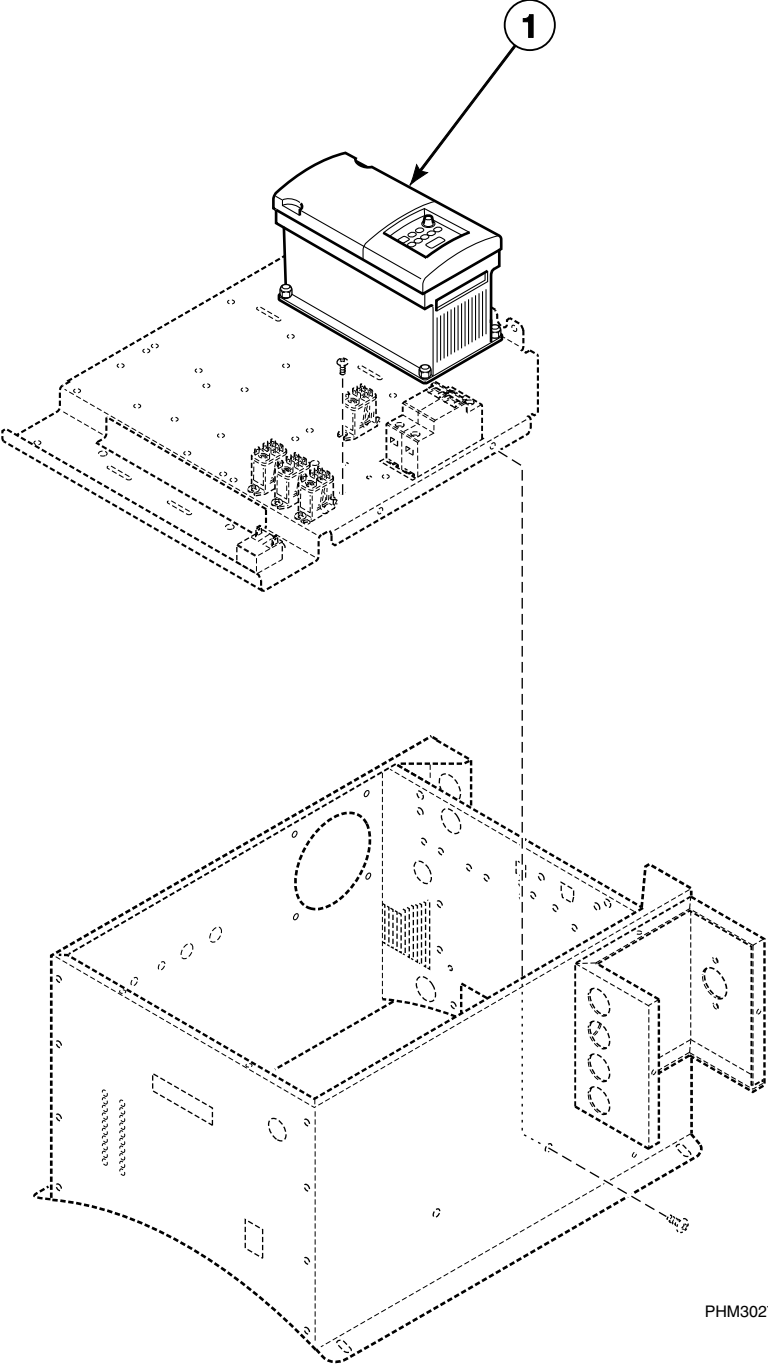
PHM2682P\_F238015



## Control Module - Models UW80PV and UW100PV - Design 8 Models with PowerFlex 40 AC Drive

REF	PART NO.	DESCRIPTION	COMMENTS
1	F200316100	Top Exhaust Panel Assembly	
2	F8169650	AC Drive	Model UW80PV; Q-voltage; Requires WE-6 computer software ID code ARW001 (F200276500 Software Chip)
	F8169651	AC Drive	Model UW80PV; N and P-voltage; Requires WE-6 computer software ID code ARWC01 (F200276500 Software Chip)
	F8169652	AC Drive	Model UW100PV; Q-voltage; Requires WE-6 computer software ID code ARWC01 (F200276500 Software Chip)
	F8169653	AC Drive	Model UW100PV; N and P-voltage; Requires WE-6 computer software ID code ARWC01 (F200276500 Software Chip)
3	F430920	Screw	
4	F431017	Nut	
5	F8324301	PowerFlex 40 AC Drive Retrofit Kit	Model UW80PV; Q-voltage; Includes items 1-4, F200276500 Software Chip, F140160 Wire (12 inches) and F140605 Cable Tie
	F8324401	PowerFlex 40 AC Drive Retrofit Kit	Model UW80PV; N and P-voltage; Includes items 1-4, F200276500 Software Chip, F140160 Wire (12 inches) and F140605 Cable Tie
	F8324302	PowerFlex 40 AC Drive Retrofit Kit	Model UW100PV; Q-voltage; Includes items 1-4, F200276500 Software Chip, F140160 Wire (12 inches) and F140605 Cable Tie
	F8324402	PowerFlex 40 AC Drive Retrofit Kit	Model UW100PV; N and P-voltage; Includes items 1-4, F200276500 Software Chip, F140160 Wire (12 inches) and F140605 Cable Tie

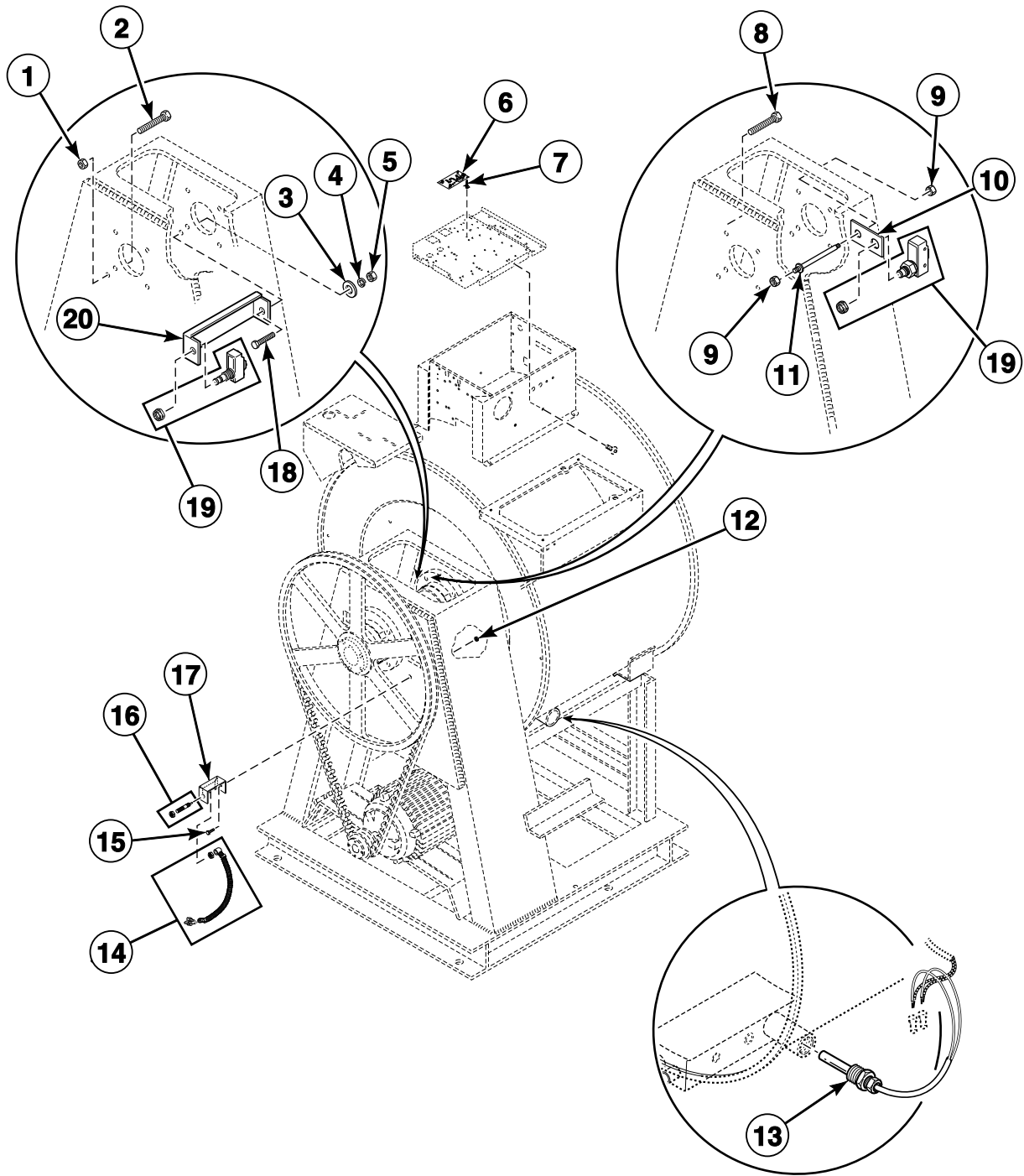
# Control Module - PowerFlex 40 Drive Kits



## Control Module - PowerFlex 40 Drive Kits

REF	PART NO.	DESCRIPTION	COMMENTS
1	F8171803	160 to PowerFlex 40 Drive Kit	Model UW80PV; Q-voltage design 5 models with Allen-Bradley 160-series drive and F220237 Motor; Includes F8169642 AC Drive
	F8171804	160 to PowerFlex 40 Drive Kit	Model UW80PV; Q-voltage design 6 and 7 models with Allen-Bradley 160-series drive and F220438 Motor; Includes F8169644 AC Drive
	F8171805	160 to PowerFlex 40 Drive Kit	Model UW80PV; Q-voltage design 6 and 7 models with Allen-Bradley 160-series drive and F8334701 Marathon motor; Includes F8169678 AC Drive
	F8171903	160 to PowerFlex 40 Drive Kit	Model UW80PV; P and N-voltage design 5 models with Allen-Bradley 160-series drive and F220237 Motor; Includes F8169643 AC Drive
	F8171904	160 to PowerFlex 40 Drive Kit	Model UW80PV; P and N-voltage design 6 and 7 models with Allen-Bradley 160-series drive and F220438 Motor; Includes F8169645 AC Drive
	F8171905	160 to PowerFlex 40 Drive Kit	Model UW80PV; P and N-voltage design 6 and 7 models with Allen-Bradley 160-series drive and F8334701 Marathon motor; Includes F8169679 AC Drive
	F8172003	160 to PowerFlex 40 Drive Kit	Model UW100PV; Q-voltage design 5 models with Allen-Bradley 160-series drive and F220237 Motor; Includes F8169646 AC Drive
	F8172004	160 to PowerFlex 40 Drive Kit	Model UW100PV; Q-voltage design 6 and 7 models with Allen-Bradley 160-series drive and F220438 Motor; Includes F8169648 AC Drive
	F8172005	160 to PowerFlex 40 Drive Kit	Model UW100PV; Q-voltage design 6 and 7 models with Allen-Bradley 160-series drive and F8334701 Marathon motor; Includes F8169680 AC Drive
	F8172103	160 to PowerFlex 40 Drive Kit	Model UW100PV; P and N-voltage design 5 models with Allen-Bradley 160-series drive and F220237 Motor; Includes F8103710 AC Drive
	F8172104	160 to PowerFlex 40 Drive Kit	Model UW100PV; P and N-voltage design 6 and 7 models with Allen-Bradley 160-series drive and F220438 Motor; Includes F8169649 AC Drive
	F8172105	160 to PowerFlex 40 Drive Kit	Model UW100PV; P and N-voltage design 6 and 7 models with Allen-Bradley 160-series drive and F8334701 Marathon motor; Includes F8169681 AC Drive
	F8255404	160 to PowerFlex 40 Drive Kit	Models UW80AV and UW80VV; Q-voltage design 7 and 8 models with Allen-Bradley 160-series drive; Includes F8169621 AC Drive
	F8255405	160 to PowerFlex 40 Drive Kit	Models UW100AV and UW100VV; Q-voltage design 7 and 8 models with Allen-Bradley 160-series drive; Includes F8169623 AC Drive
	F8255504	160 to PowerFlex 40 Drive Kit	Models UW80AV and UW80VV; P and N-voltage design 7 and 8 models with Allen-Bradley 160-series drive; Includes F8169622 AC Drive
	F8255505	160 to PowerFlex 40 Drive Kit	Models UW100AV and UW100PV; P and N-voltage design 7 and 8 models with Allen-Bradley 160-series drive; Includes F8169624 AC Drive
	F8324304	1336 to PowerFlex 40 Drive Kit	Model UW80PV; Q-voltage design 8 models with Allen-Bradley 1336-series drive and F8334701 Marathon motor; Includes F8169682 AC Drive
	F8324305	1336 to PowerFlex 40 Drive Kit	Model UW100PV; Q-voltage design 8 models with Allen-Bradley 1336-series drive and F8334701 Marathon motor; Includes F8169684 AC Drive
	F8324404	1336 to PowerFlex 40 Drive Kit	Model UW80PV; P and N-voltage design 8 models with Allen-Bradley 1336-series drive and F8334701 Marathon motor; Includes F8169683 AC Drive
	F8324405	1336 to PowerFlex 40 Drive Kit	Model UW100PV; P and N-voltage design 8 models with Allen-Bradley 1336-series drive and F8334701 Marathon motor; Includes F8169685 AC Drive

# Balance Switch, Temperature Probe and Rotation Sensor

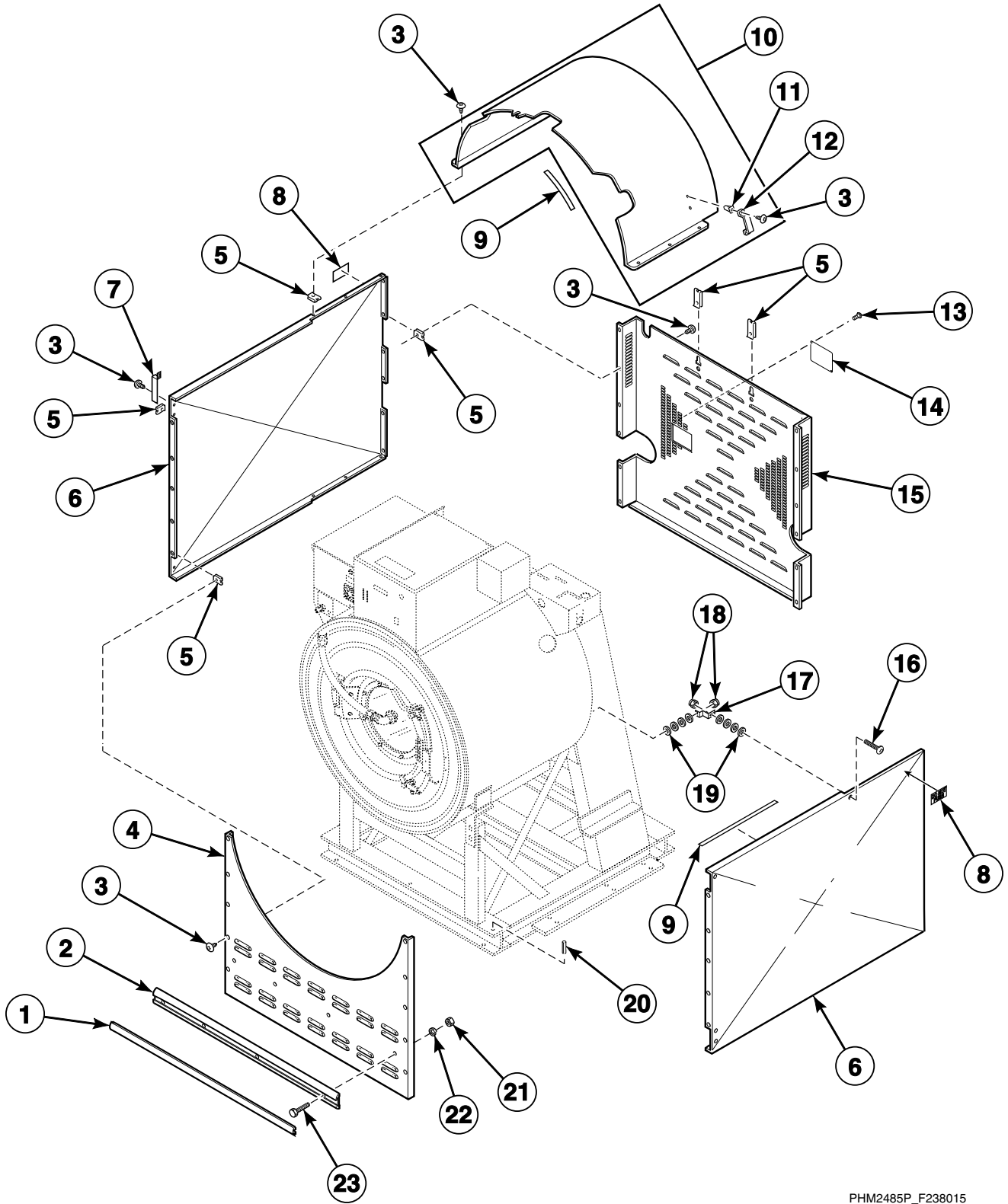


PHM2962P\_F238015

## Balance Switch, Temperature Probe and Rotation Sensor

REF	PART NO.	DESCRIPTION	COMMENTS
1	H88412101	Nut	Models through 10/7/07
2	F0430539-00	Bolt	Models through 10/7/07
3	M400081	Washer	
4	M400014	Washer	
5	20274	Nut	Models through 10/7/07
6	F200101300P	Rotation Sensor PCB	Models UW80PV and UW100PV
7	F180501	Standoff	Models UW80PV and UW100PV
8	F8111101	Screw	Models starting 10/8/07
9	44087301	Nut	Models starting 10/8/07
10	F8124301	Balance Switch Bracket	Models starting 10/8/07
11	F8122701	Screw	Models starting 10/8/07
12	F430218	Nut	Models UW80PV and UW100PV
13	F370606P	Temperature Probe	
14	F8066401	Rotation Sensor Harness	Models UW80PV and UW100PV
15	F430927	Screw	Models UW80PV and UW100PV
16	F200126200P	Rotation Sensor Assembly	Models UW80PV and UW100PV
	F079900800	Rotation Sensor Retrofit Kit	Models UW80PV and UW100PV; Includes items 6, 7, 12, 14, 15 and 17
17	F200122500	Rotation Sensor Bracket	Models UW80PV and UW100PV
18	800461	Screw	Models through 10/7/07
19	F340921	Switch	CE models
	F340924	Switch Extension	CE models; Use with F340921 Switch
	F340900	Interlock Switch	All other models
20	F601750	Balance Switch Bracket	Models through 10/7/07

# Front, Rear and Side Panels

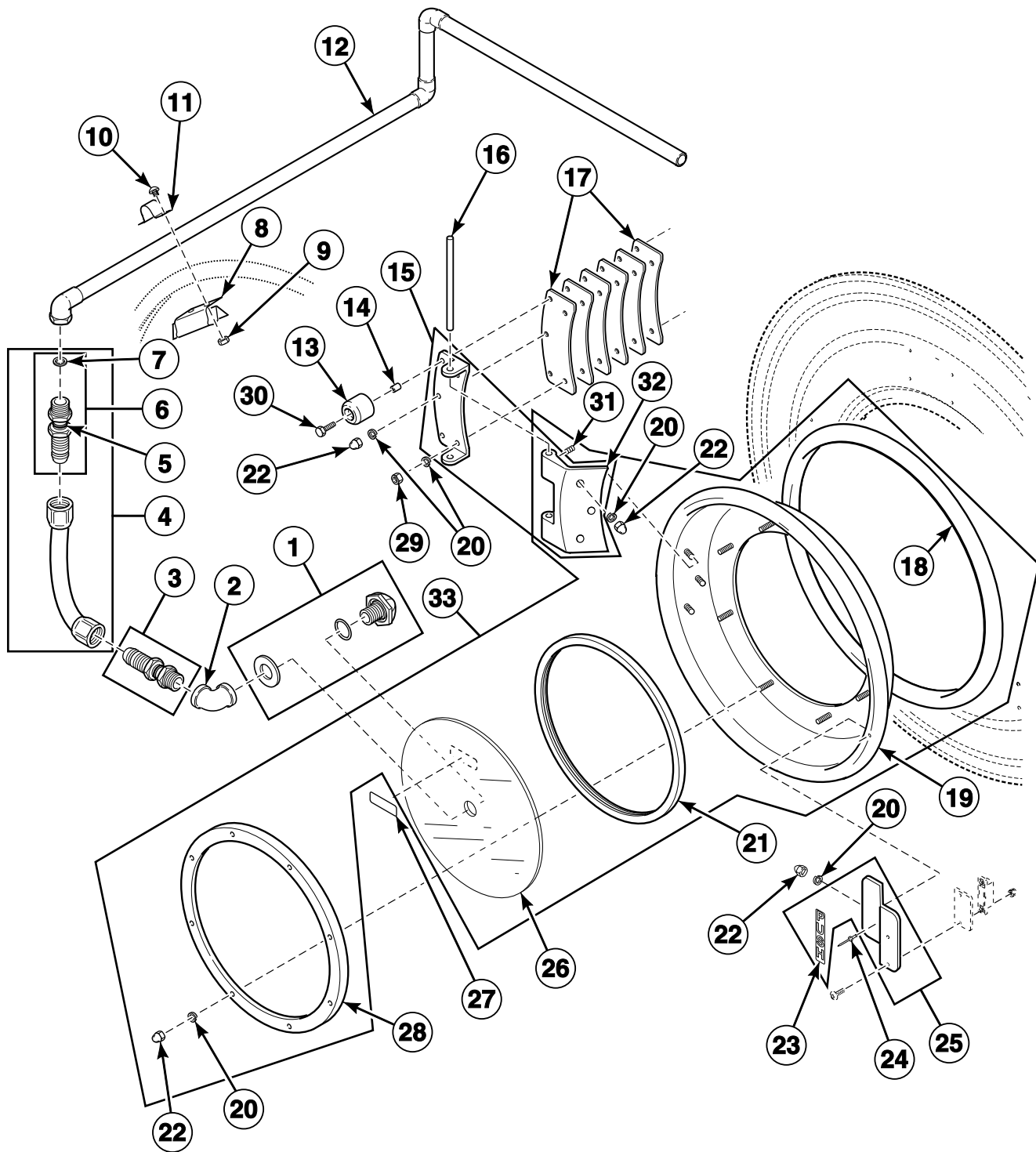


PHM2485P\_F238015

## Front, Rear and Side Panels

REF	PART NO.	DESCRIPTION	COMMENTS
1	F150397	Extrusion Insert	Order 4 feet
2	F150409	Rub Rail	
3	F430956	Screw	
4	F635668P	Front Panel	
5	F430264	Nut	Tinnerman
6	F635671	Side Panel	Models UW80AV, UW80PV and UW80VV
	F635670P	Side Panel	Models UW100AV, UW100PV and UW100VV
7	F607262	Side Panel Cover	
8	F230302	Do Not Push Decal	
9	F170400RP	Trim	
10	F635611	Cage Wrap Weldment	Model UW80PV design 5, 6, and 7; Models UW80AV and UW80VV; Includes items 3, 11 and 12
	F200092400	Cage Wrap Weldment	Model UW80PV design 8; Includes items 3, 11 and 12
	F635612	Cage Wrap Weldment	Model UW100PV design 5, 6 and 7; Models UW100AV and UW100VV; Includes items 3, 11 and 12
	F200092200	Cage Wrap Weldment	Model UW100PV design 8; Includes items 3, 11 and 12
11	F0431807-00	Nut	
12	F605324	Hose Strap	
13	70240301	Screw	
14	F200188300	Belt Inspection Port Cover	
15	F200188000P	Rear Panel	
16	F430921	Screw	
17	F601982	Side Panel Bracket	
18	F430215	Nut	
19	F430317	Washer	
20	F430415	Pin	
21	F430211	Nut	
22	F431100	Washer	
23	F430921	Screw	

# Door and Spray Tube Assembly



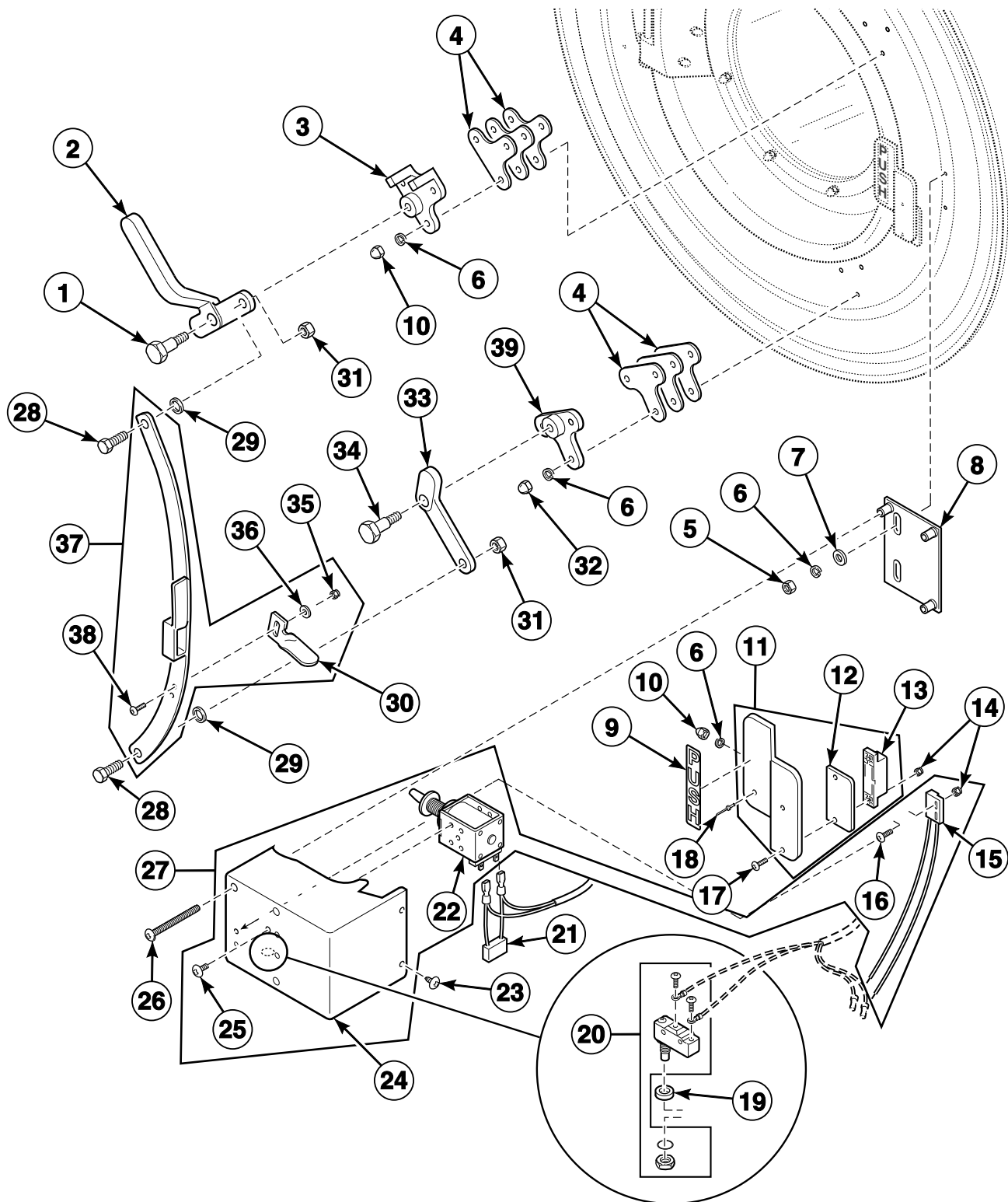
PHM2898P\_F238015



## Door and Spray Tube Assembly

REF	PART NO.	DESCRIPTION	COMMENTS
1	F730077	Spray Rinse Nozzle Kit	Models UW80PV and UW100PV
2	F422319	Elbow	Models UW80PV and UW100PV
3	F422109	No-Swivel Coupling	Models UW80PV and UW100PV
4	F730024	Spray Rinse Hose Kit	Models UW80PV and UW100PV; Includes items 5-7
5	F170200	O-Ring	Models UW80PV and UW100PV
6	F422108	Swivel Coupling	Models UW80PV and UW100PV
7	F310206	Ring Retainer	Models UW80PV and UW100PV
8	F602901P	Spray Rinse Bracket Assembly	Models UW80PV and UW100PV; Includes items 9 and 10
9	F431022	Nut	Models UW80PV and UW100PV
10	F430917	Screw	Models UW80PV and UW100PV
11	F602880	Spray Rinse Strap	Models UW80PV and UW100PV
12	F603696-5	Spray Rinse Tube Assembly	Model UW80PV
	F603696-6	Spray Rinse Tube Assembly	Model UW100PV
13	F150366	Door Bumper Moulding	
14	F430416	Door Bumper Bushing	
15	F200030600P	Door Hinge Strap Kit	Includes item 34
16	F601815	Door Hinge Pin	
17	F0610695-00	Door Butt Shim	
18	F170145	Door Gasket	Black
	F017014501	Door Gasket	Gray
19	F730307	Door Kit	Studded
20	F431100	Washer	
21	F170117	Door Glass Gasket	
22	F431026	Nut	
23	F230303	Push Decal	
24	F431210	Pop Rivet	
25	F746202-1	Push Handle Kit	Includes item 23
26	F290200P	Door Glass Kit	Models UW80PV and UW100PV; With hole
	F290201P	Glass	Models UW80AV, UW100AV, UW80VV and UW100VV; Without hole
27	F230652	Clockwise Spin Rotation Decal	
28	F601239	Door Glass Retainer	
29	F431005	Nut	
30	F430103	Screw	
31	F430502	Screw	
32	F200030600	Door Hinge Strap	
33	F730540	Door Kit	Models UW80PV and UW100PV; Includes items 18-23, 25, 26, 28, 31, 32, F410102 Clear Sealant, F340703 Magnet, F430232 Nut and F430909 Screw
	F200119601	Door Assembly	Models UW80AV, UW100AV, UW80VV and UW100VV; Includes items 18-23, 25, 26, 28, 31, 32, F340703 Magnet, F430231 Nut, F430916 Screw and F430917 Washer

# Door Lock

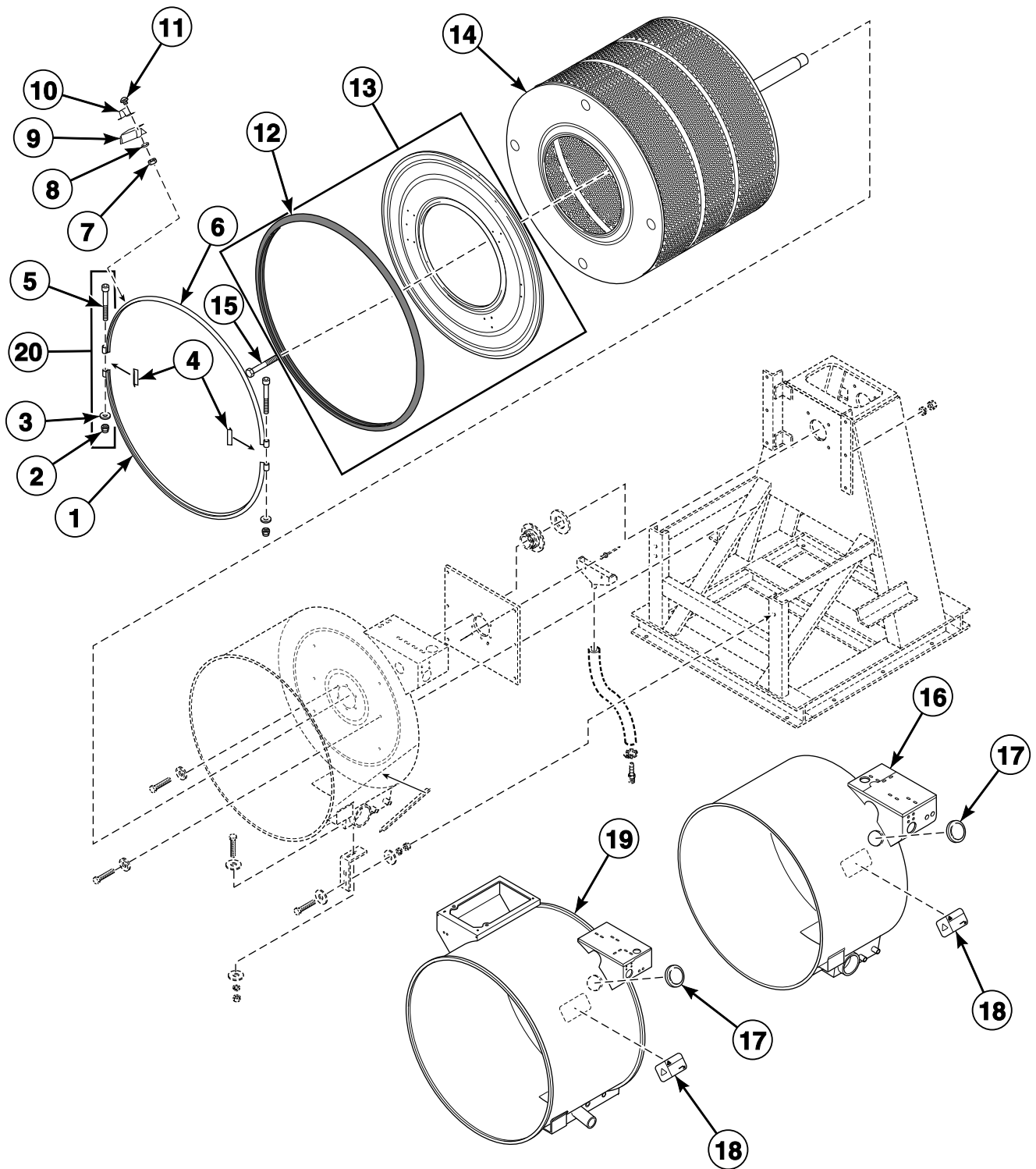


PHM1009P\_F238015

# Door Lock

REF	PART NO.	DESCRIPTION	COMMENTS
1	F430168	Screw	
2	F150203	Door Handle Casting	
3	F150201P	Top Latch Bracket Casting	
4	F602058	Door Latch Bracket Shim	
5	F430215	Nut	
6	F431100	Washer	
7	F431142	Washer	
8	F601129	Door Box Mounting Bracket	Models UW80AV, UW100AV, UW80VV and UW100VV
	F746806	Door Box Mounting Plate Kit	Models UW80PV and UW100PV
9	F230303	Push Decal	
10	F431026	Nut	
11	F746202-1	Push Handle Kit	Includes items 12, 13 and F607258 Push Handle Assembly
12	F603683	Door Push Brace	
13	F8390801	Magnet	
14	F430232	Nut	
15	F200321200	Magnetic Switch Assembly	
16	F430917	Screw	
17	F430909	Screw	
18	F431210	Pop Rivet	
19	F601055	Interlock Switch Spacer	
20	F340900	Interlock Switch	
21	F330217P	RC Network Filter	Includes F140627 Connector and F141022 Connector
22	F300129P	Door Lock Solenoid	
23	F430956	Screw	
24	F607202	Door Box	
25	F430995	Screw	
26	F430996	Screw	
27	F604888-1	Door Box Assembly	Includes items 14-16, 22, 24 and 25
28	F430927	Screw	
29	F431118	Washer	
30	F601639	Extension Arm Tab	
31	20274	Nut	
32	F431005	Nut	
33	F150204	Lower Door Latch Casting	
34	F430168	Screw	
35	F430231	Nut	
36	F431108	Washer	
37	F8062001	Extension Arm Assembly	Includes items 30, 35, 36 and 38
38	F430916	Screw	
39	F150202	Lower Door Latch Bracket Casting	

# Basket, Shell and Frame (Drawing 1 of 2)



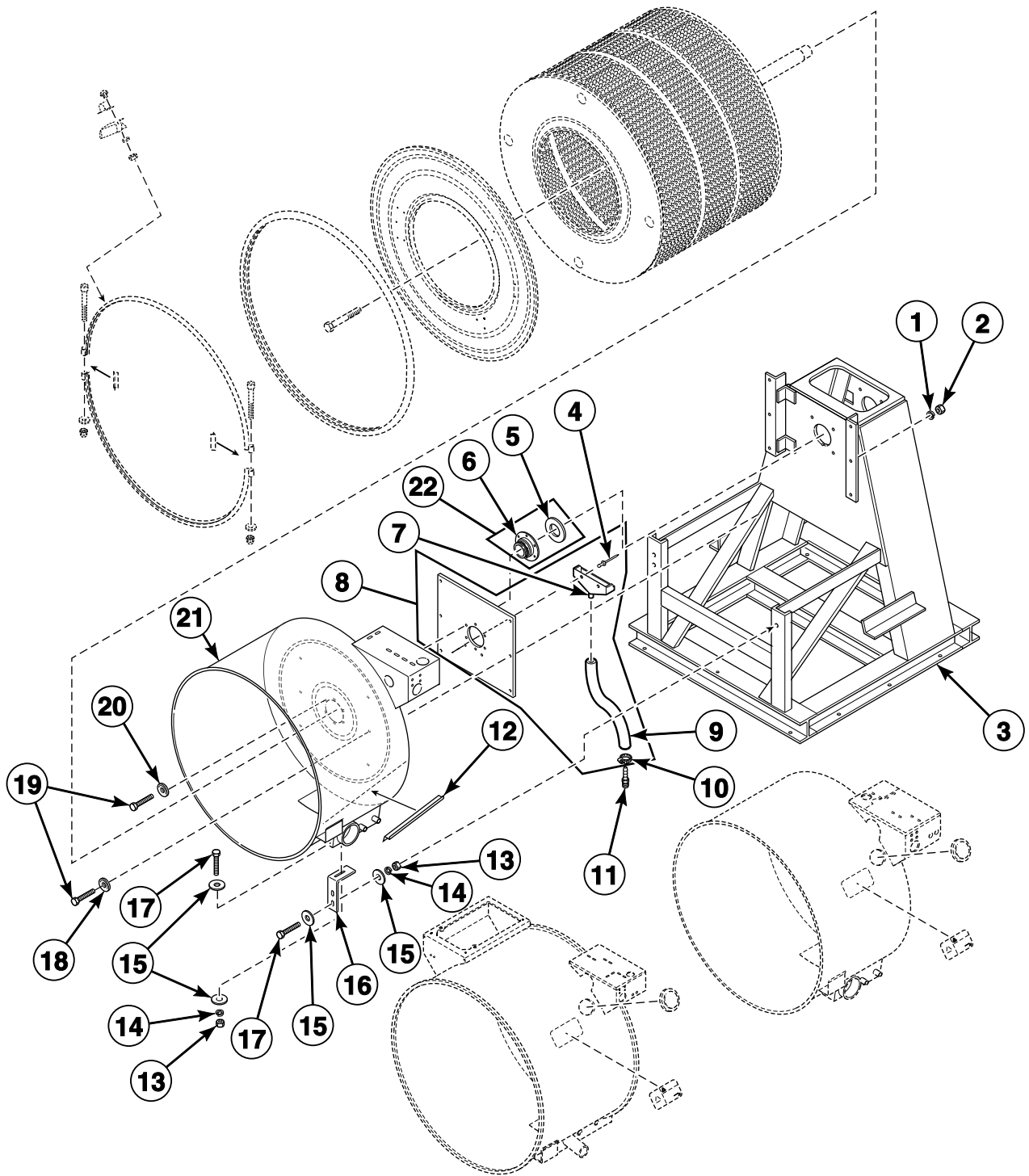
PHM2562P\_F238015

## Basket, Shell and Frame (Drawing 1 of 2)

REF	PART NO.	DESCRIPTION	COMMENTS
1	F603911	Shell Band Assembly	Bottom
2	F430215	Nut	
3	F430317	Washer	
4	F601216	Shell Gasket Shield	
5	F430518	Screw	
6	F603910	Shell Band Assembly	Top
7	F431022	Nut	
8	F431113	Washer	
9	F602901P	Spray Rinse Bracket Assembly	
10	F602880	Spray Rinse Strap	
11	F430917	Screw	
12	F170120RP	Shell Band Gasket	
13	F8011301P	Shell Front Kit	Includes item 12
14	F632403	Basket Assembly	Models UW80AV, UW80PV and UW80VV
	F630764	Basket Assembly	Models UW100AV, UW100PV and UW100VV
15	N/A	Screw	
16	N/A	Shell Weldment	Model UW80PV; Standard; Design 7
	N/A	Shell Weldment	Model UW80PV; Standard models with starch; Design 7
	N/A	Shell Weldment	Model UW80PV; Electric heat; Design 7
	N/A	Shell Weldment	Model UW80PV; Electric heat with starch; Design 7
	F0637540-00	Shell Weldment	Model UW100PV; Standard; Design 7
	F0637540-01	Shell Weldment	Model UW100PV; Standard models with starch; Design 7
	N/A	Shell Weldment	Model UW100PV; Electric heat; Design 7
17	F0200237-00	Plug	Models UW80PV and UW100PV; Design 7 and 8
18	F0230112-00	Plug Removal Warning Decal	Models UW80PV and UW100PV; Design 7 and 8
19	F063753804	Shell Weldment	Model UW80PV; Standard; Design 8
	F063754004	Shell Weldment	Model UW100PV; Standard; Design 8
20	F791001	Shell Band Fastener Kit	Includes items 2 and 3

**N/A = Part no longer available**

# Basket, Shell and Frame (Drawing 2 of 2)

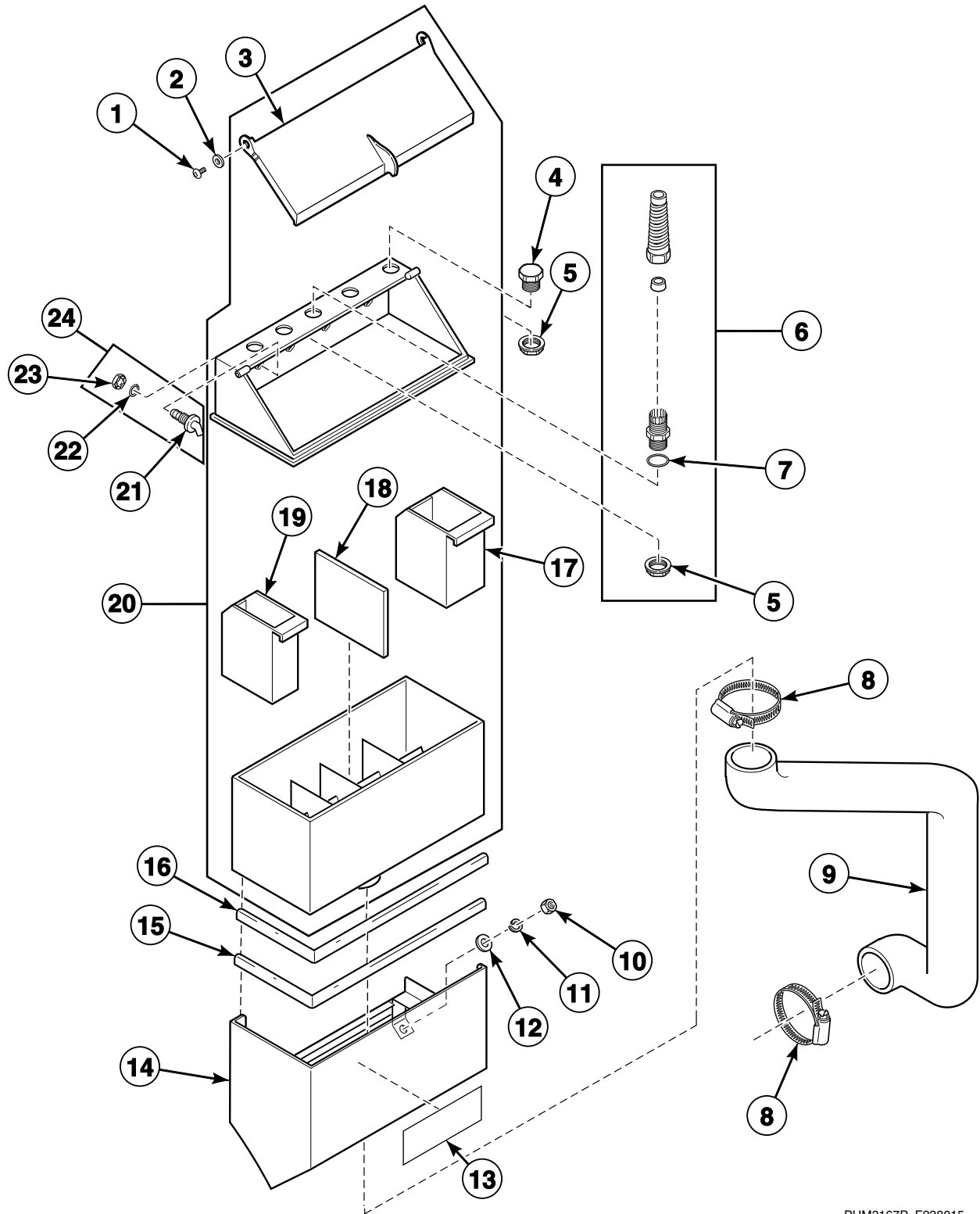


PHM2563P\_F238015

## Basket, Shell and Frame (Drawing 2 of 2)

REF	PART NO.	DESCRIPTION	COMMENTS
1	M400013	Washer	
2	70142	Nut	
3	F632394	Frame Assembly	Models UW80AV, UW80PV and UW80VV
	F632394-1	Frame Assembly	Model UW80PV; Close mount
	F630821-1	Frame Weldment	Models UW100AV, UW100PV and UW100VV
	F630821-2	Frame Weldment	Model UW100PV; Close mount
4	F431210	Pop Rivet	
5	F100204	Slinger	
6	F8162001	Face Seal	Standard
	F8161901	Face Seal	Viton
7	F150389	Scupper	
8	F8084201	Shell Reinforcement Plate Assembly	Includes items 4, 7, 9 and 10
9	F200107P	Water Hose	
10	36801	Hose Clamp	No. 6
11	F421929	Hose Barb	
12	F150364	Drip Rail	
13	20274	Nut	
14	M400014	Washer	
15	M400081	Washer	
16	F601806	Shell Mounting Bracket	
17	F430924	Screw	
18	F431116	Washer	
19	F430913	Screw	
20	F431112	Washer	
21	F634471	Shell Assembly	Model UW80PV; 4-1/2 inch sump; Standard models; Design 5 and 6
	F634471-1	Shell Assembly	Model UW80PV; 4-1/2 inch sump; Standard models with starch; Design 5 and 6
	F632397-1	Shell Assembly	Model UW80PV; 10-1/2 inch sump; Electric heat models; Design 5 and 6
	F632397-3	Shell Assembly	Model UW80PV; 10-1/2 inch sump; Electric heat models with starch; Design 5 and 6
	F634495	Shell Weldment	Model UW100PV; 4-1/2 inch sump; Standard models; Design 5 and 6
	F634495-1	Shell Weldment	Model UW100PV; 4-1/2 inch sump; Standard models with starch; Design 5 and 6
	F630760-1	Shell Weldment	Model UW100PV; 10-1/2 inch sump; Electric heat models; Design 5 and 6
	F063753802	Shell Weldment	Models UW80AV and UW80VV
	F634485	Shell Weldment	Models UW100AV and UW100VV
22	F798827-00	Seal Kit	Includes item 5, F170120RP Shell Band Gasket and sealant; Standard seal
	F798829-00	Seal Kit	Includes item 5, F170120RP Shell Band Gasket and sealant; Viton seal

# Supply Dispenser



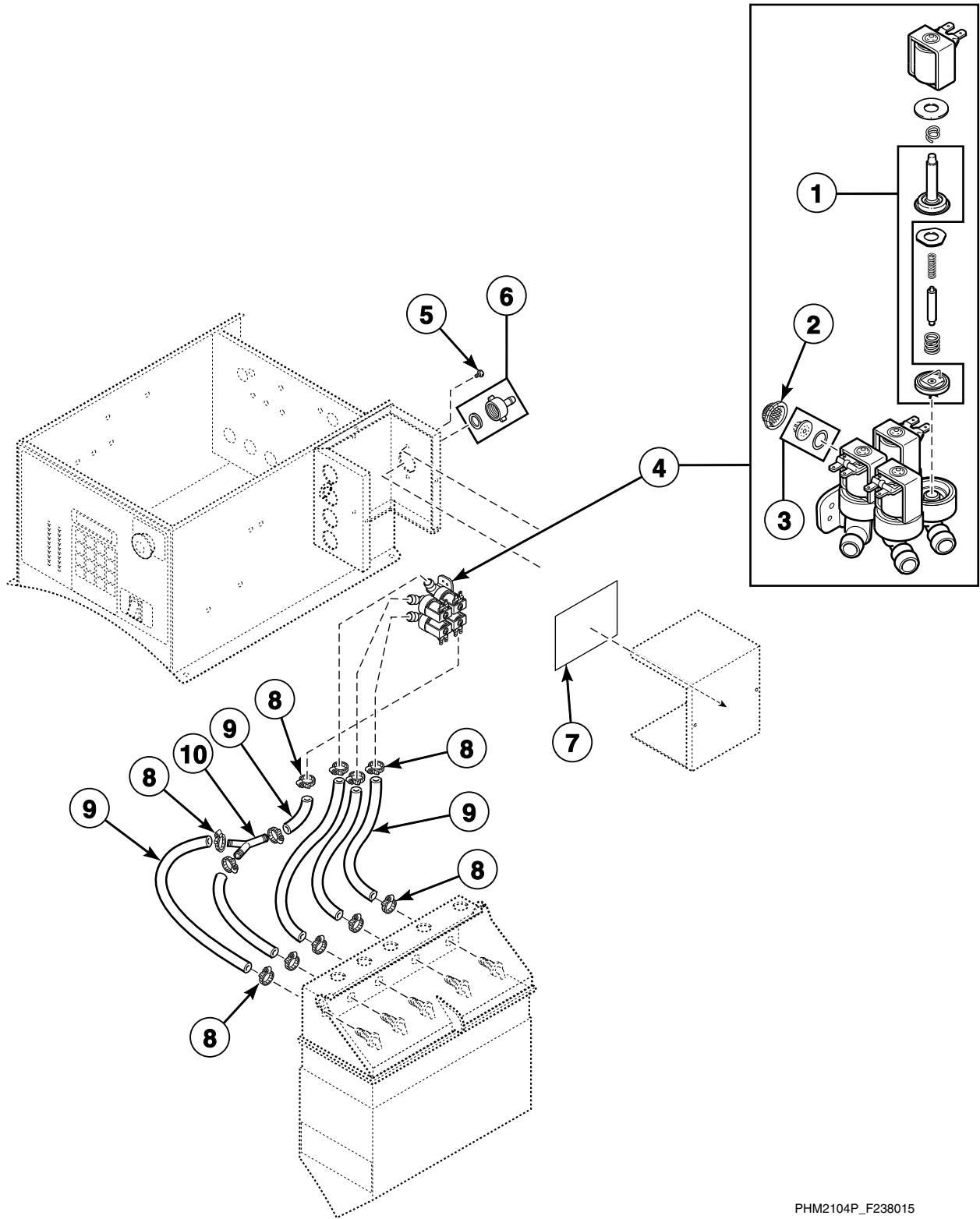
PHM3167P\_F238015



# Supply Dispenser

REF	PART NO.	DESCRIPTION	COMMENTS
1	F430917	Screw	
2	F8195301	Washer	
3	F0150514-00	Dispenser Lid	
4	F190304	Plug Cap	
5	F140340P	Strain Relief Connector	
6	F749802	Strain Relief Adapter Kit	Includes items 5 and 7
7	F170215	O-Ring	
8	F200213	Hose Clamp	No. 40
9	F150471	Chemical Supply Hose	Models UW80AV, UW80PV and UW80VV
	F0150470-00	Chemical Supply Hose	Models UW100AV, UW100PV and UW100VV
10	F431005	Nut	
11	F431100	Washer	
12	F431147	Washer	
13	F231436	Supply Dispenser Hazard Caution Decal	
14	F8024301	Soap Dispenser Shroud Weldment	
15	F170400RP	Trim	
16	F170158P	Gasket	
17	F150386	Chemical Supply Cup	32 ounce; 2 required
18	F0150525-00	Supply Dispenser Spacer	
19	F150385	Chemical Supply Cup	20 ounce; 3 required
20	F0150512-00P	Dispenser Assembly	Includes items 3 and 17-19
21	F8322001	Injection Nozzle	
22	F170208	O-Ring	
23	802292	Nut	
24	F730168	Injection Nozzle Kit	Includes items 21-23

# Water Supply Valve and Hoses to Supply Dispenser



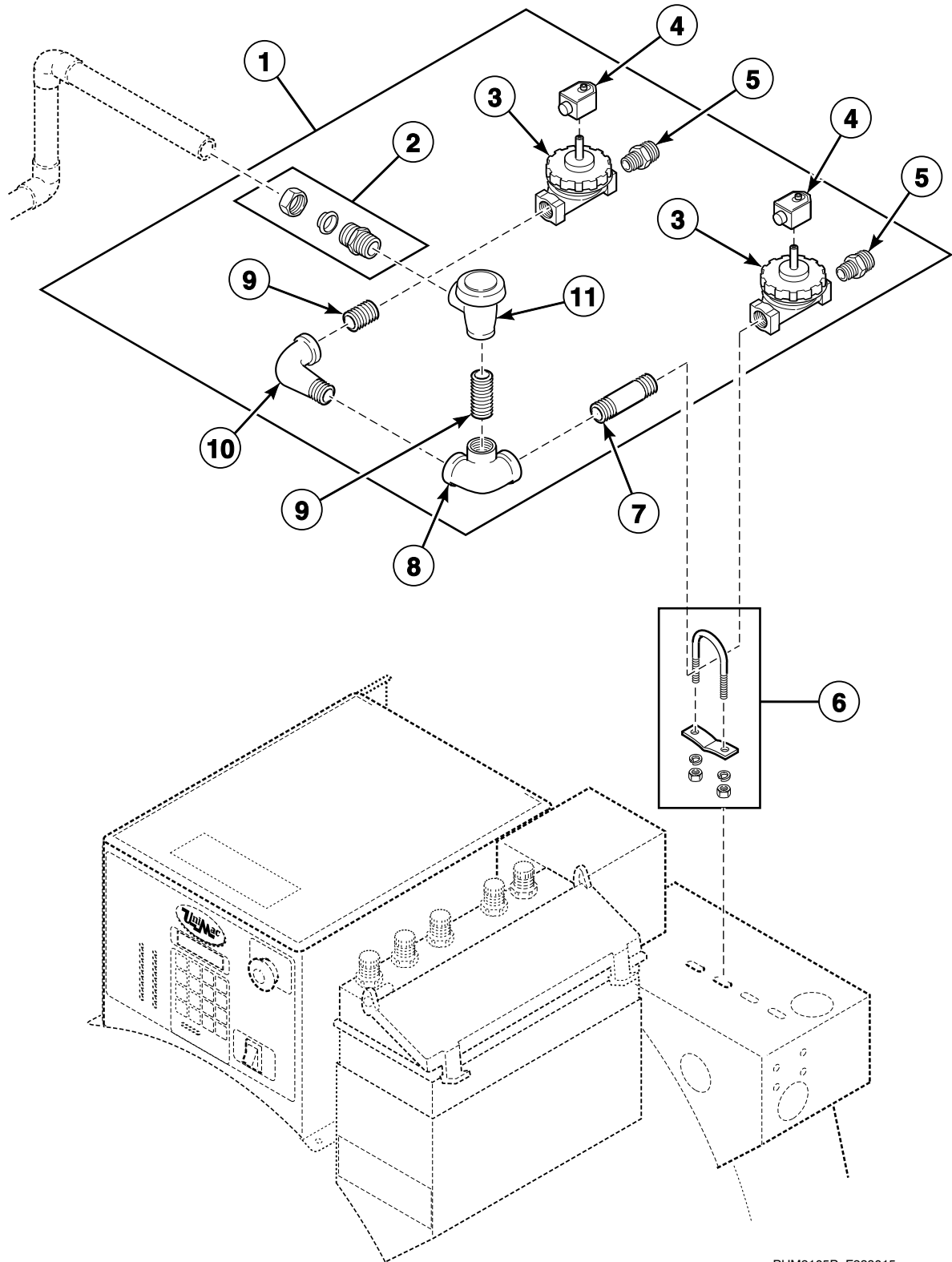
PHM2104P\_F238015

## Water Supply Valve and Hoses to Supply Dispenser

REF	PART NO.	DESCRIPTION	COMMENTS
1	G582P3	Diaphragm and Guide Kit	
2	F270200	Strainer	
3	N/A	Flow Restrictor	8 liter
4	F381723P	4-Way Valve	220 Volt
5	F430948	Screw	
6	F200302	Hose Connector	
7	F230754	Water Valve Assembly Decal	
8	36801	Hose Clamp	No. 6
9	F200110P	Water Hose	
10	F422816	Y Connector	

N/A = Part no longer available

# Spray Plumbing - UW80PV and UW100PV Design 5 and 6 Models



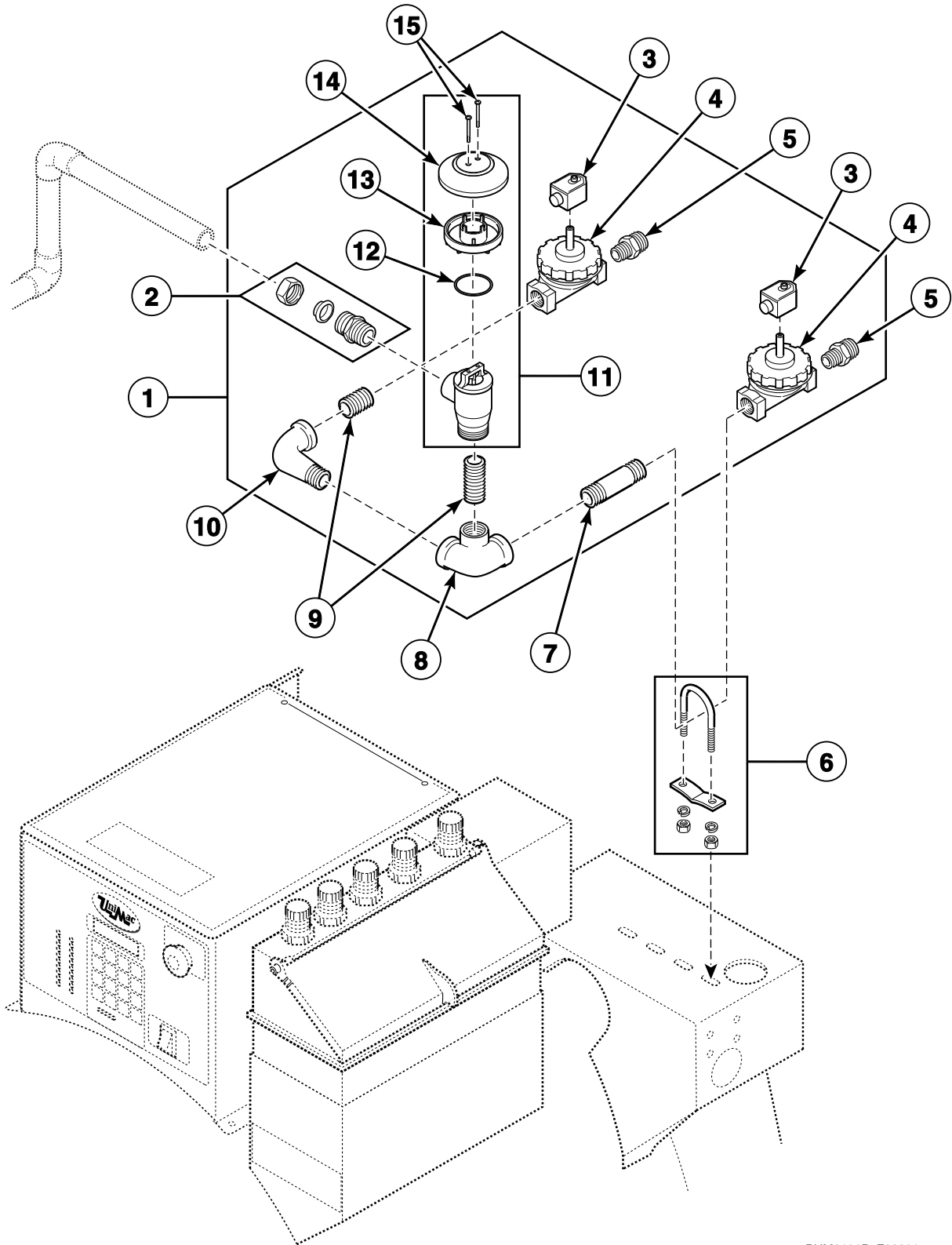
PHM2105P\_F238015

## Spray Plumbing - UW80PV and UW100PV Design 5 and 6 Models

REF	PART NO.	DESCRIPTION	COMMENTS
1	N/A	Spray Plumbing Assembly	220 Volt; Includes items 2-5 and 7-11
	F633151-5	Spray Plumbing Assembly	220 Volt; Metric; Includes items 2-5 and 7-11
2	F422106	Tube Connector	
3	F381701P	Valve	3/4 inch; 220 Volt; Parker
	F141901P	DIN Harness Assembly	
	F380991P	Water Valve Repair Kit	3/4 inch
4	F380987P	DIN Coil	220 Volt
5	F421909	Hose Adapter	Standard thread
	F8265701	Adapter	Metric thread
6	F200401P	U-Bolt Clamp	
7	F420107	Nipple	
8	F420509	Elbow	
9	F420105	Nipple	
10	F420502	Street Elbow	
11	F380800P	Vacuum Breaker Valve	3/4 inch
	F380965P	Repair Kit	3/4 inch

**N/A = Part no longer available**

# Spray Plumbing - UW80PV and UW100PV Design 7 and 8 Models

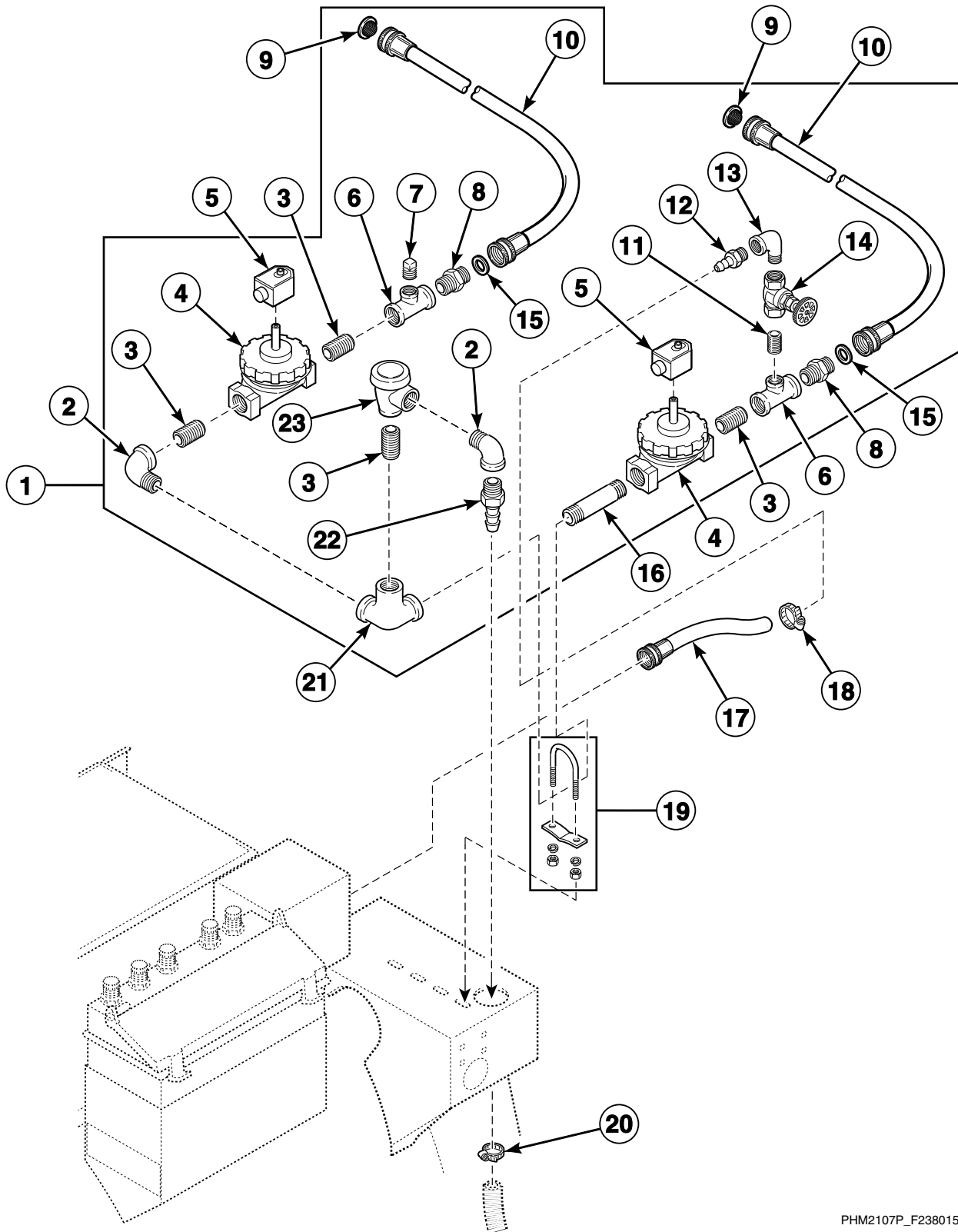


PHM2106P\_F238015

## Spray Plumbing - UW80PV and UW100PV Design 7 and 8 Models

REF	PART NO.	DESCRIPTION	COMMENTS
1	F0637638-01	Spray Plumbing Assembly	220 Volt; Includes items 2-5 and 7-15
	F0637638-03	Spray Plumbing Assembly	220 Volt; Metric; Includes items 2-5 and 7-15
2	F422106	Tube Connector	
3	F380987P	DIN Coil	220 Volt
4	F381701P	Valve	3/4 inch; 220 Volt; Parker
	F141901P	DIN Harness Assembly	
	F380991P	Water Valve Repair Kit	3/4 inch
5	F421909	Hose Adapter	Standard thread
	F8265701	Adapter	Metric thread
6	F200401P	U-Bolt Clamp	
7	F420107	Nipple	
8	F420509	Elbow	
9	F420105	Nipple	
10	F420502	Street Elbow	
11	F380800P	Vacuum Breaker Valve	3/4 inch; Includes items 12-15; F380965P Repair Kit
	F0798922-00	Vacuum Breaker Kit	Includes items 12-15 and installation instructions
12	F0170221-00	O-Ring	
13	F0380809-00	Containment Device	
14	F0380808-00	Vacuum Breaker Cap	
15	F430938	Screw	

# Fill Plumbing - UW80PV and UW100PV Design 5 and 6 Models Through 2/02



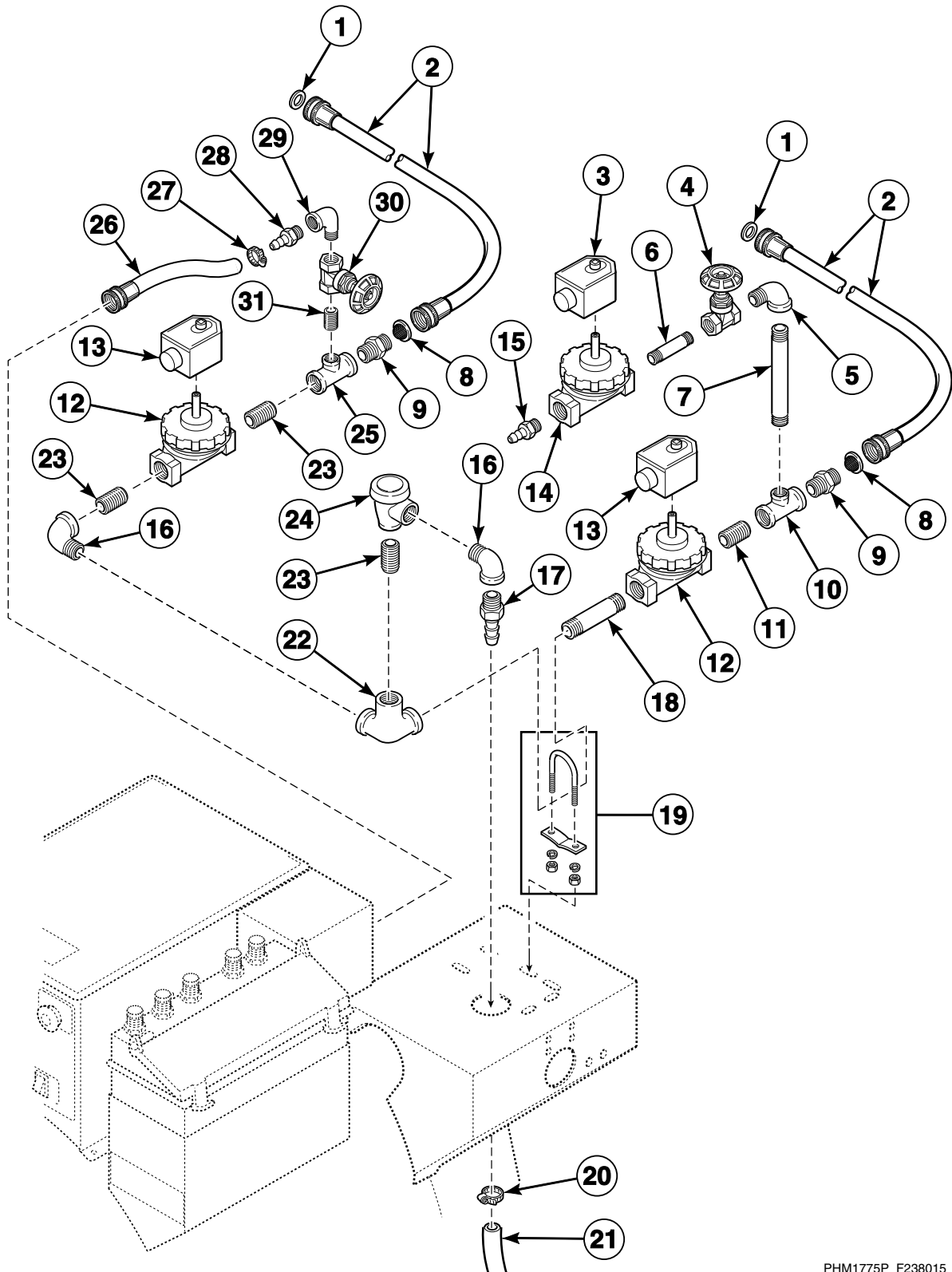
PHM2107P\_F238015



## Fill Plumbing - UW80PV and UW100PV Design 5 and 6 Models Through 2/02

REF	PART NO.	DESCRIPTION	COMMENTS
1	F633146-1	Fill Plumbing Assembly	220 Volt; Includes items 2-16 and 21-23
	F633419-1	Fill Plumbing Assembly	220 Volt; Starch; Includes items 2-16 and 21-23
	F633146-5	Fill Plumbing Assembly	220 Volt; Metric; Includes items 2-16 and 21-23
	F633419-5	Fill Plumbing Assembly	220 Volt; Metric; Starch; Includes items 2-16 and 21-23
2	F420502	Street Elbow	
3	F420105	Nipple	
4	F381701P	Valve	3/4 inch; 220 Volt; Parker; F380991P Water Valve Repair Kit
	F141901P	DIN Harness Assembly	
5	F380987P	DIN Coil	220 Volt
6	F420400	Tee	
7	F420408	Plug	
8	F421909	Hose Adapter	Standard thread
	F8265701	Adapter	Metric thread
9	803615	Washer	Filter
10	F200164	Water Hose	Standard thread
	F200166	Water Hose	Metric thread
11	F420101	Nipple	
12	F421903	Adapter	
13	F420500	Street Elbow	
14	F380500	Gate Valve	1/2 inch
15	20290	Washer	
16	F420107	Nipple	
17	F200509	Water Hose	
18	F200206	Hose Clamp	No. 4
19	F200401P	U-Bolt Clamp	
20	F200222	Hose Clamp	No. 12
21	F420509	Elbow	
22	F421951	Hose Barb	
23	F380800P	Vacuum Breaker Valve	3/4 inch
	F380965P	Repair Kit	3/4 inch

# Fill Plumbing - UW80PV and UW100PV Design 5 and 6 Models Starting 3/02



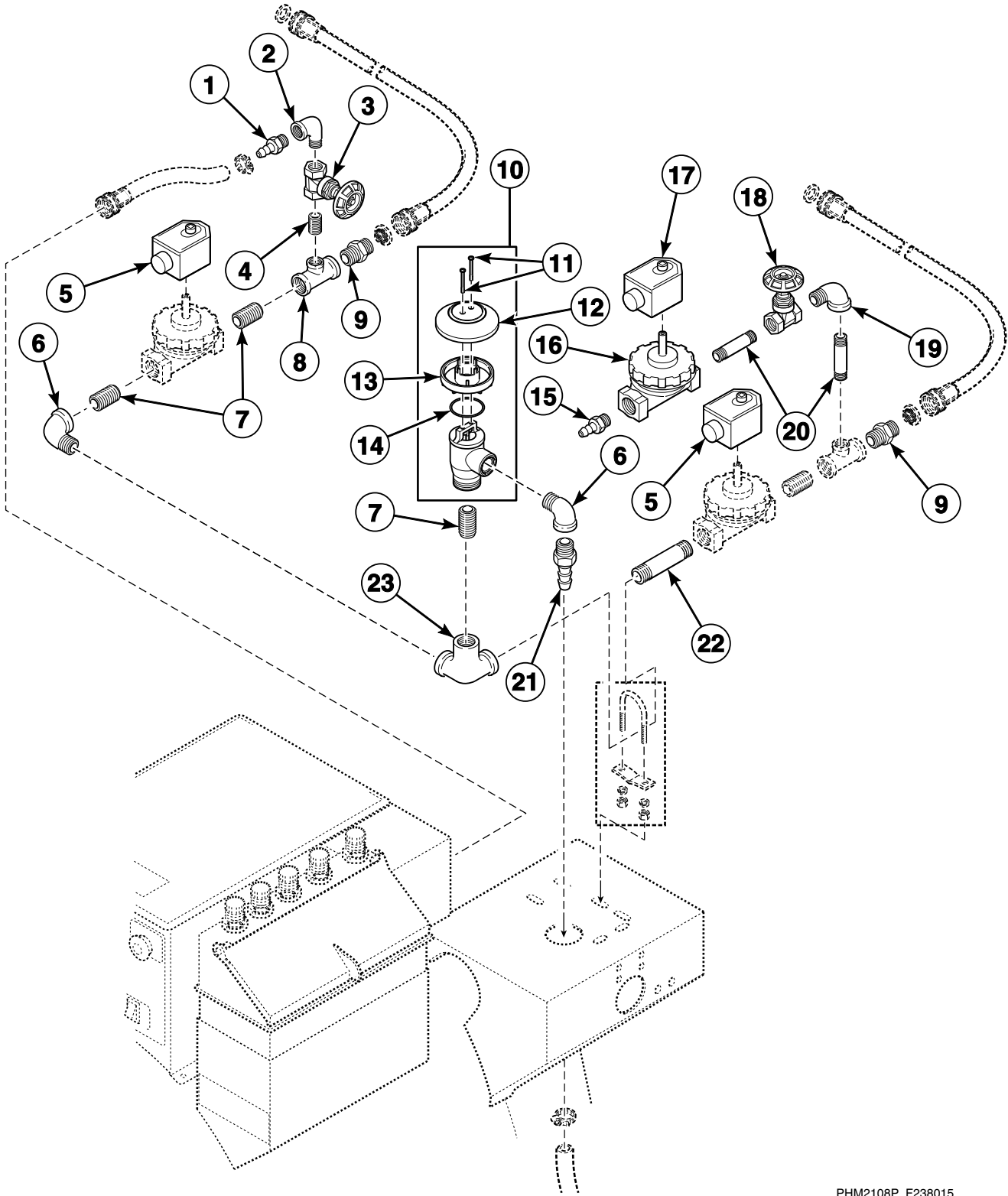
PHM1775P\_F238015

## Fill Plumbing - UW80PV and UW100PV Design 5 and 6 Models Starting 3/02

REF	PART NO.	DESCRIPTION	COMMENTS
	F633146-1	Fill Plumbing Assembly	220 Volt; Standard thread; Includes items 9, 12, 13, 16-18, 22-25 and 28-31
	F633146-5	Fill Plumbing Assembly	220 Volt; Metric thread; Includes items 9, 12, 13, 16-18, 22-25 and 28-31
	F633419-1	Fill Plumbing Assembly	220 Volt; Standard thread; Starch; Includes items 3-7, 9-18, 22-25 and 28-31
	F633419-5	Fill Plumbing Assembly	220 Volt; Metric thread; Starch; Includes items 3-7, 9-18, 22-25 and 28-31
<b>1</b>	20290	Washer	
<b>2</b>	F200164	Water Hose	Standard thread
	F200166	Water Hose	Metric thread
<b>3</b>	F380987P	DIN Coil	220 Volt; Starch
<b>4</b>	F380500	Gate Valve	Starch
<b>5</b>	F420500	Street Elbow	Starch
<b>6</b>	F420103	Nipple	Starch
<b>7</b>	N/A	Nipple	Starch
<b>8</b>	803615	Washer	Filter
<b>9</b>	F421909	Hose Adapter	Standard thread
	F8265701	Adapter	Metric thread
<b>10</b>	F420402	Tee	Starch
<b>11</b>	F420105	Nipple	Starch
<b>12</b>	F381701P	Valve	220 Volt; 3/4 inch; Parker; With DIN
	F141901P	DIN Harness Assembly	
	F380991P	Water Valve Repair Kit	3/4 inch
<b>13</b>	F380987P	DIN Coil	220 Volt
<b>14</b>	F381703P	Valve	220 Volt; Starch; 1/2 inch
	F141901P	DIN Harness Assembly	
	F380993P	Valve Repair Kit	Starch; 1/2 inch
<b>15</b>	F421964	Hose Barb	Starch
<b>16</b>	F420502	Street Elbow	
<b>17</b>	F421951	Hose Barb	
<b>18</b>	F420107	Nipple	
<b>19</b>	F200401P	U-Bolt Clamp	
<b>20</b>	F200222	Hose Clamp	No. 12
<b>21</b>	F200104P	Hose	
<b>22</b>	F420509	Elbow	
<b>23</b>	F420105	Nipple	
<b>24</b>	F380800P	Vacuum Breaker Valve	3/4 inch
	F380965P	Repair Kit	3/4 inch
<b>25</b>	F420402	Tee	
<b>26</b>	F200509	Water Hose	
<b>27</b>	F200206	Hose Clamp	No. 4
<b>28</b>	F421964	Hose Barb	
<b>29</b>	F420500	Street Elbow	
<b>30</b>	F380500	Gate Valve	1/2 inch
<b>31</b>	F420101	Nipple	

N/A = Part no longer available

# Fill Plumbing - Design 7 and 8 Models (Drawing 1 of 2)



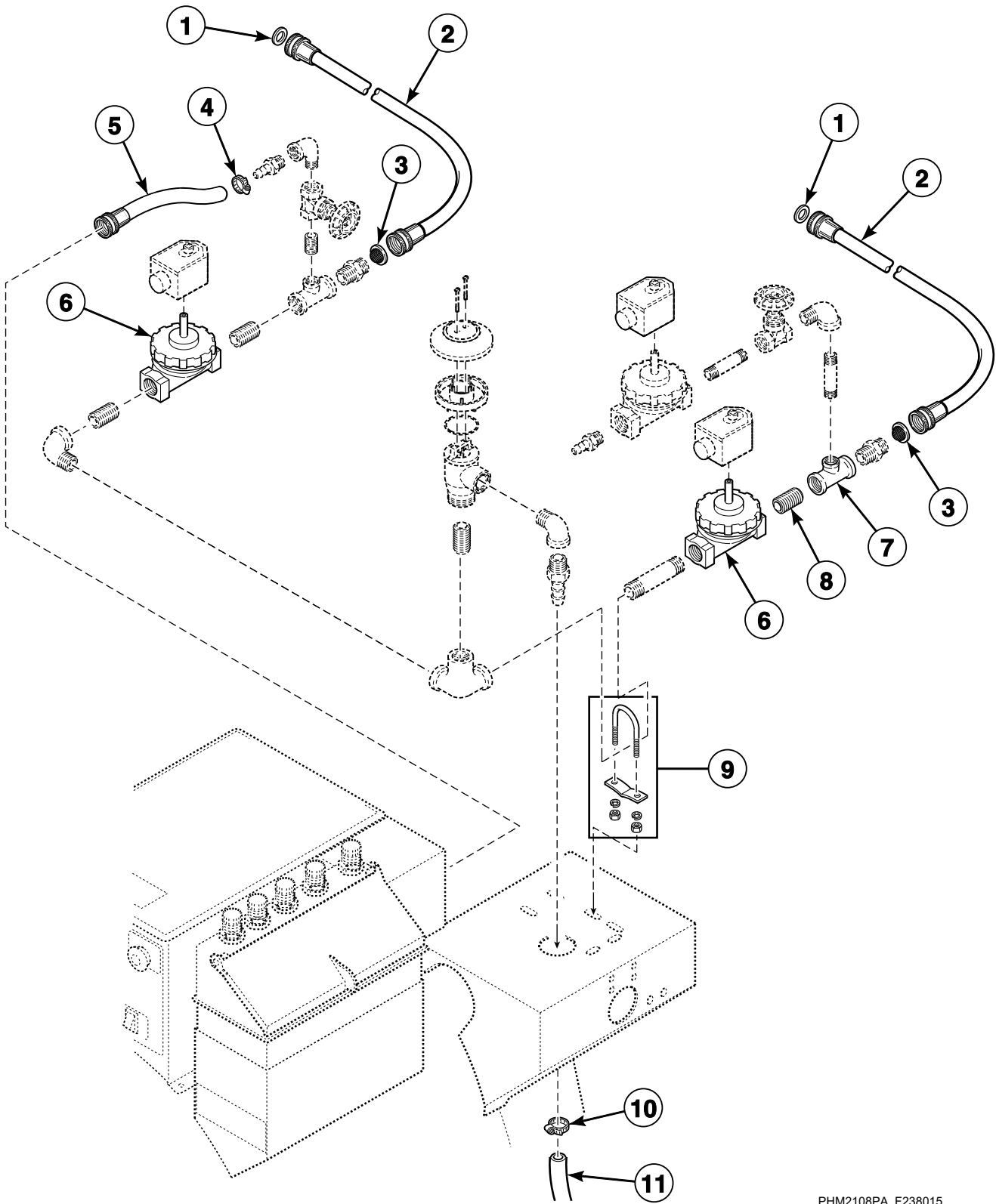
PHM2108P\_F238015

## Fill Plumbing - Design 7 and 8 Models (Drawing 1 of 2)

REF	PART NO.	DESCRIPTION	COMMENTS
	F0637637-01	Fill Plumbing Assembly	220 Volt; Standard thread; Includes items 1-14 and 21-23
	N/A	Fill Plumbing Assembly	220 Volt; Metric thread; Includes items 1-14 and 21-23
	N/A	Fill Plumbing Assembly	220 Volt; Standard thread; Starch; Design 7; Includes items 1-23
	N/A	Fill Plumbing Assembly	220 Volt; Metric thread; Starch; Design 7; Includes items 1-23
1	F421964	Hose Barb	
2	F420500	Street Elbow	
3	F380500	Gate Valve	
4	F420101	Nipple	
5	F380987P	DIN Coil	220 Volt
6	F420502	Street Elbow	
7	F420105	Nipple	
8	F420402	Tee	
9	F421909	Hose Adapter	Standard thread
	F8265701	Adapter	Metric thread
10	F063754701P	Vacuum Breaker Valve	3/4 inch; F380965P Repair Kit; Includes items 11-14
	F0798922-00	Vacuum Breaker Kit	Includes items 11-14
11	F430938	Screw	
12	F0380808-00	Vacuum Breaker Cap	
13	F0380809-00	Containment Device	
14	F0170221-00	O-Ring	
15	F421964	Hose Barb	Starch
16	F381703P	Valve	220 Volt; Starch; 1/2 inch
	F380993P	Valve Repair Kit	Starch; 1/2 inch
17	F380987P	DIN Coil	220 Volt; Starch
18	F380500	Gate Valve	Starch
19	F420500	Street Elbow	Starch
20	F420103	Nipple	Starch; Parker; With DIN
21	F421951	Hose Barb	
22	F420107	Nipple	
23	F420509	Elbow	

N/A = Part no longer available

# Fill Plumbing - Design 7 and 8 Models (Drawing 2 of 2)

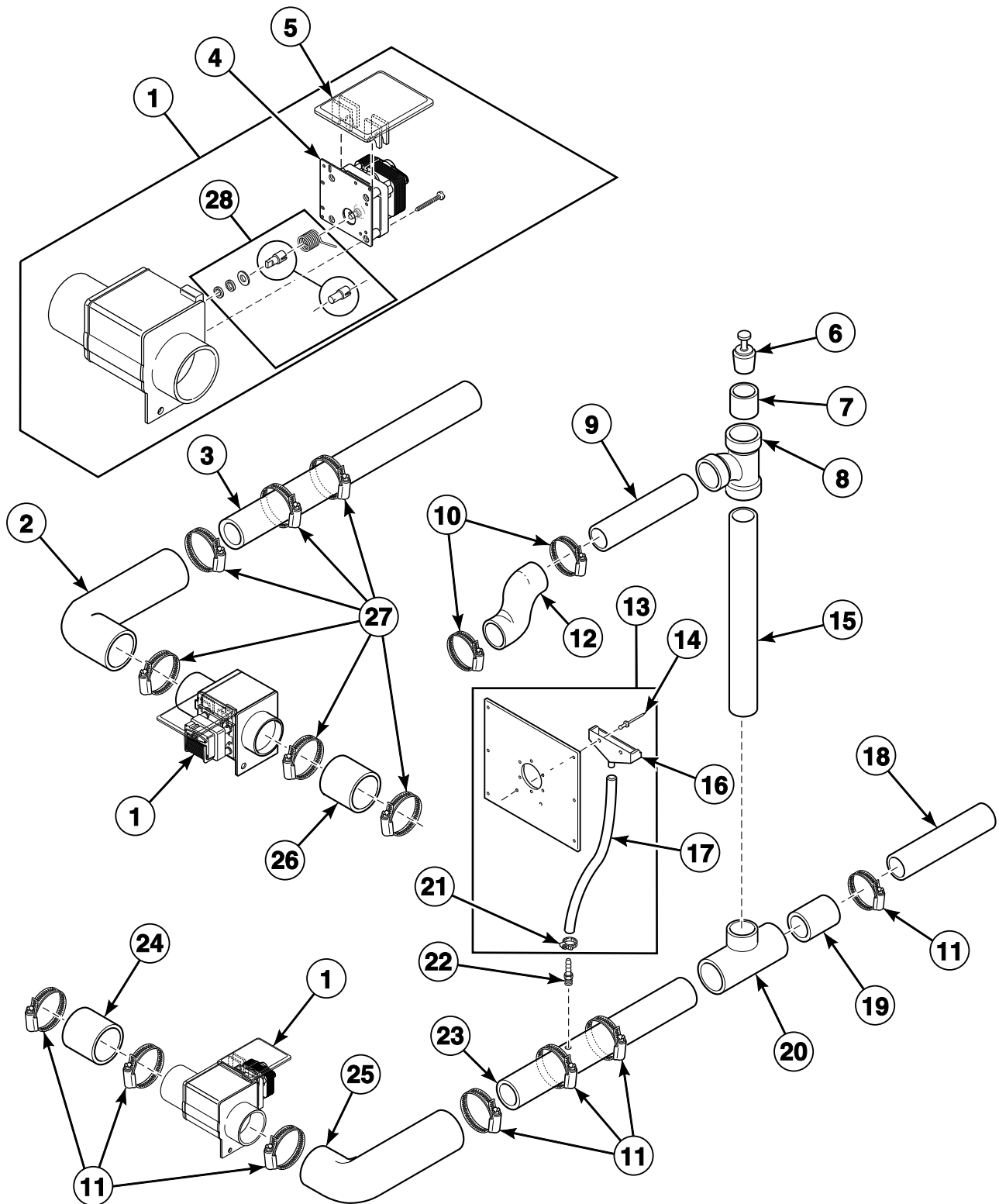


PHM2108PA\_F238015

## Fill Plumbing - Design 7 and 8 Models (Drawing 2 of 2)

REF	PART NO.	DESCRIPTION	COMMENTS
1	20290	Washer	
2	F200164	Water Hose	Standard thread
	F200166	Water Hose	Metric thread
3	803615	Washer	Filter
4	F200206	Hose Clamp	No. 4
5	F200509	Water Hose	
6	F381701P	Valve	220 Volt; 3/4 inch Parker; With DIN
	F141901P	DIN Harness Assembly	
	F380991P	Water Valve Repair Kit	3/4 inch
7	F420402	Tee	Starch
8	F420105	Nipple	Starch
9	F200401P	U-Bolt Clamp	
10	F200222	Hose Clamp	No. 12
11	F200104P	Hose	Order 6 feet

# Drain System, Overflow and Vent Pipes



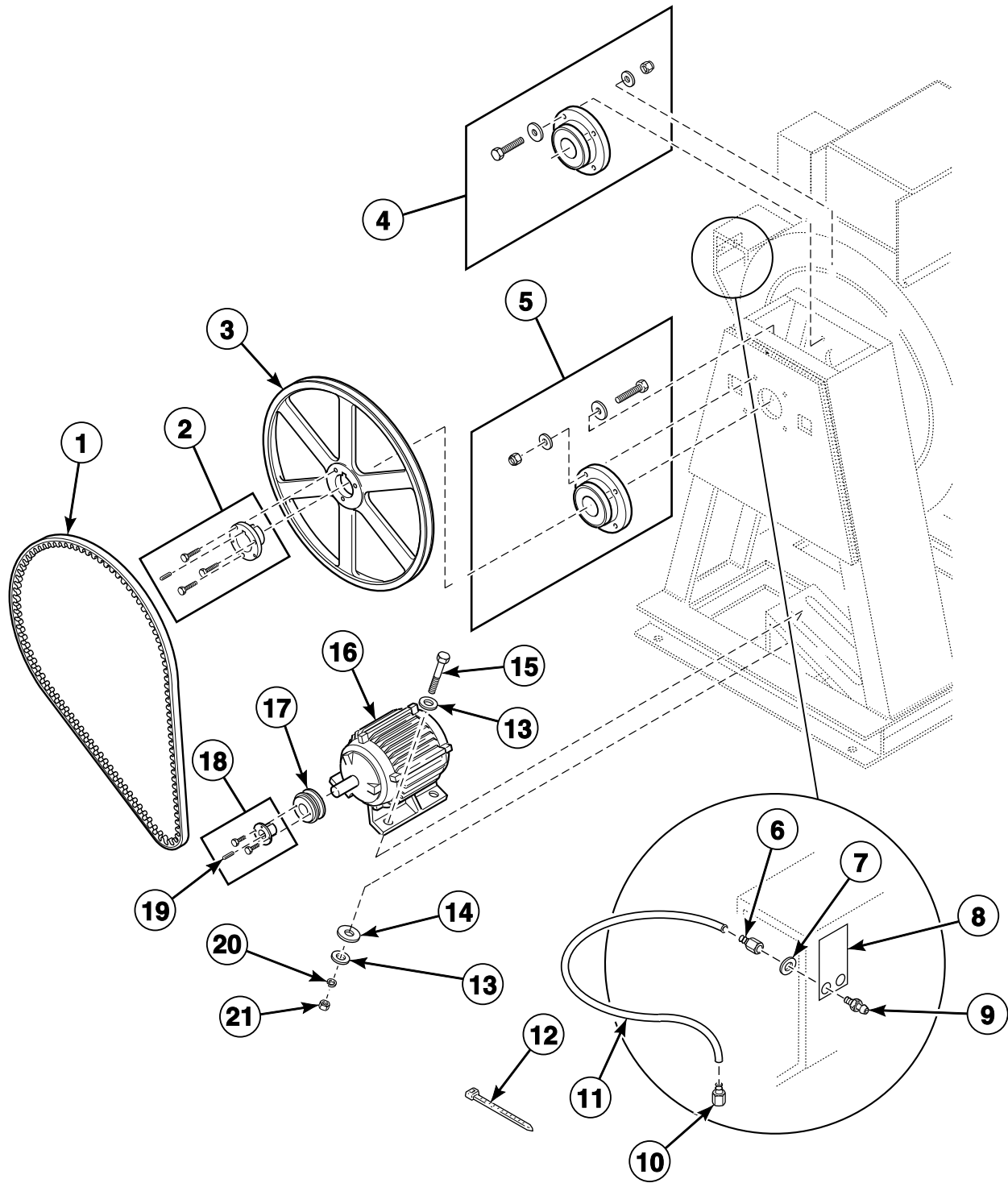
PHM2669P\_F238015



## Drain System, Overflow and Vent Pipes

REF	PART NO.	DESCRIPTION	COMMENTS
1	F200166402	Drain Valve Kit	
2	F150437	Drain Hose	Models UW80PV and UW100PV
3	F0602365-27	Pipe	Models UW80PV and UW100PV
4	F380933P	Drain Valve Motor	220 Volt; Round shaft
5	F200133600	Drain Valve Cover	
6	F380117	Vacuum Breaker	
7	F422508	Adapter	
8	F422801	Tee	
9	F0602365-14	Pipe	
10	F200213	Hose Clamp	No. 40
11	F200201	Hose Clamp	No. 56
12	F150309	Soap Dispenser Hose	
13	F8084201	Shell Reinforcement Plate Assembly	Includes items 16, 18, 19 and 23
14	F431210	Pop Rivet	
15	F0602364-25	Pipe	
16	F150389	Scupper	
17	F200107P	Water Hose	
18	F200165100	Drain Hose	Models UW80PV and UW100PV
	F610376P	Drain Hose	Models UW80AV, UW100AV, UW80VV and UW100VV
19	F0602365-09	Pipe	Models UW80AV, UW80PV and UW80VV
	F0602365-07	Pipe	Models UW100AV, UW100PV and UW100VV
20	F422803	Tee	
21	36801	Hose Clamp	No. 6
22	F421929	Hose Barb	
23	F0602365-24	Pipe	Models UW80AV, UW80PV and UW80VV
	F0602365-08	Pipe	Models UW100AV, UW100PV and UW100VV
24	F150442	Drain Hose	Front
25	F150437	Drain Hose	
26	F150442	Drain Hose	Models UW80PV and UW100PV; Front
27	F200201	Hose Clamp	Models UW80PV and UW100PV; No. 56
28	F380918	Main Drive Kit	

# Motor, Pulley and Bearings



PHM2161P\_F238015

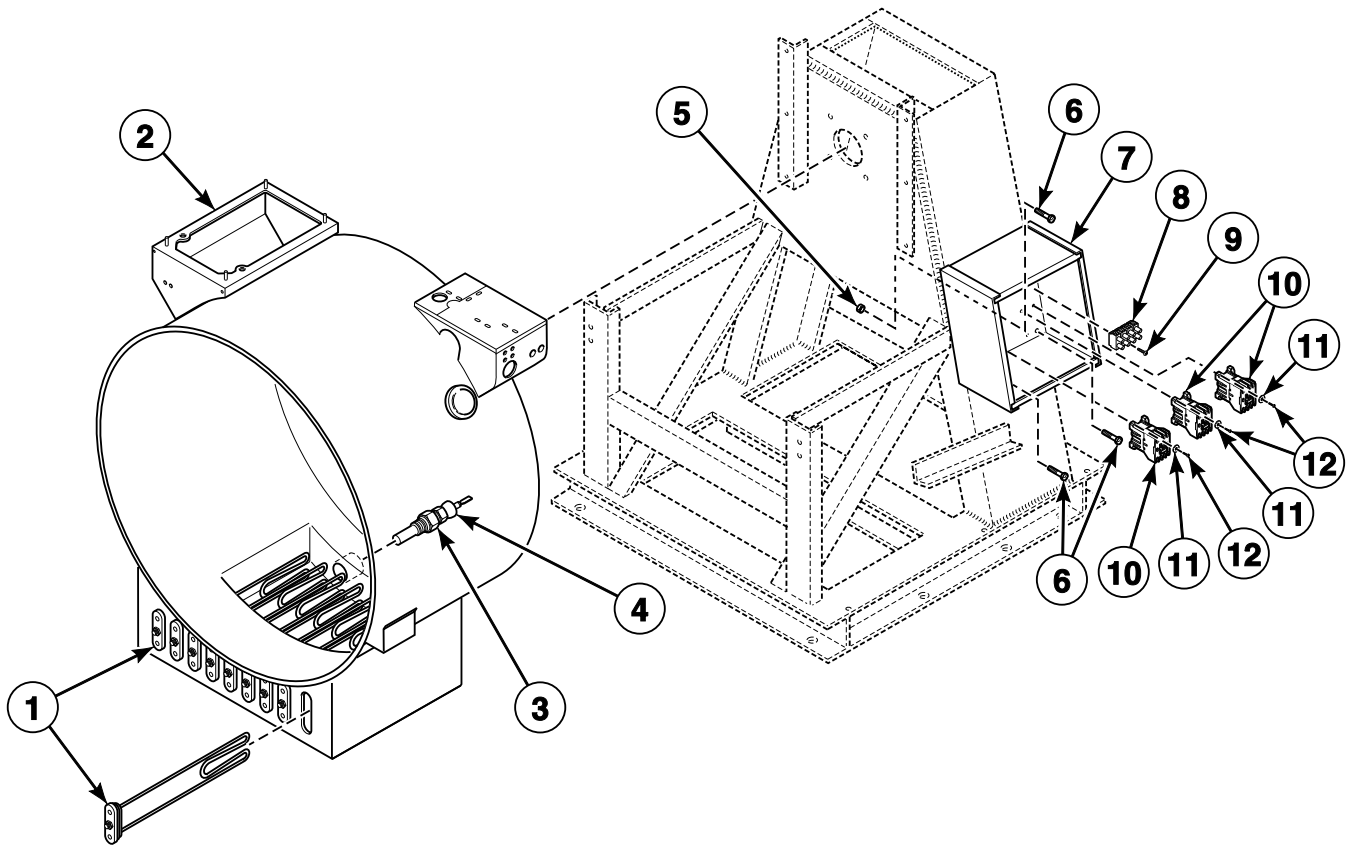
## Motor, Pulley and Bearings

REF	PART NO.	DESCRIPTION	COMMENTS
1	F280355	Belt	Models UW80PV and UW100PV; BX108; 2 required
	F200140400P	Belt	Models UW80AV, UW100AV, UW80VV and UW100VV; Banded; 3VX1180
2	F280294P	Basket Pulley Bushing	Includes screws and key; 2-7/16 inch
3	F280412	Pulley	Models UW80PV and UW100PV; 2B305F
	F150268	Basket Pulley	Models UW80AV, UW100AV, UW80VV and UW100VV; 33V33505F
4	F798831-00	Front Bearing Kit	Includes seal and hardware
5	F745006	Rear Bearing Kit	
6	F422114	Air Coupling	
7	F430332	Washer	Design 5, 6 and 7
8	F231563	Grease Instruction Decal	Lubrication; Design 5, 6 and 7
9	F190701	Grease Fitting	Design 5, 6 and 7
	F745401	Manual Bearing Greasing Retrofit Kit	Includes items 9-11, F630433 Grease Manifold Bracket, F230745 Bearing Lubrication Instruction Decal, F320326 Grease Manifold, F430211 Nut, F430322 Washer, F430923 Screw, F430925 Screw and F431024 Nut
10	J1408004	Connector	Design 5, 6 and 7
11	C000628P	Tubing	Design 5, 6 and 7
12	F140605	Cable Tie	6 inch
13	M400081	Washer	
14	F430300	Washer	
15	F430993	Screw	
16	F220237P	Motor	Models UW80PV and UW100PV; Motor manufacturer Part No. *F391995-61; Design 5; F100108 and F100109P Bearings; AC drive parameters must be compatible with the motor and motor pulley. Please request the AC drive parameter illustration for parameter verification when ordering a motor.
	F8356404	Conversion Kit	Models UW80PV and UW100PV; Design 6, 7 and 8; AC drive parameters must be compatible with the motor and motor pulley. Please request the AC drive parameter illustration for parameter verification when ordering a motor; Includes F8334701 Motor
	F8125501	Motor Lead	Model UW100PV; Q-voltage; Design 8
	F220214MP	Motor	Models UW80AV, UW100AV, UW80VV and UW100VV; AC drive parameters must be compatible with the motor and motor pulley. Please request the AC drive parameter illustration for parameter verification when ordering a motor.
17	F280181	Pulley	Models UW80PV and UW100PV; 2BK34H
	C000795P	Motor Pulley	Models UW80AV, UW100AV, UW80VV and UW100VV; 3 groove; 2.65 inch OD
18	F280242	Motor Bushing	Models UW80PV and UW100PV; Includes screws and item 19; H - 1-3/8
	F280233P	Bushing	Models UW80AV, UW100AV, UW80VV and UW100VV; Includes item 19; JA 1 1/8
19	N/A	Key	
20	M400014	Washer	
21	20274	Nut	

N/A = Part no longer available

\* NOTE: Refer to the *Motor Manufacturer Part Number on the Motor's Nameplate* section for help with locating the motor manufacturer part number on the motor's nameplate.

# Electric Heat Option - Models UW80PV and UW100PV



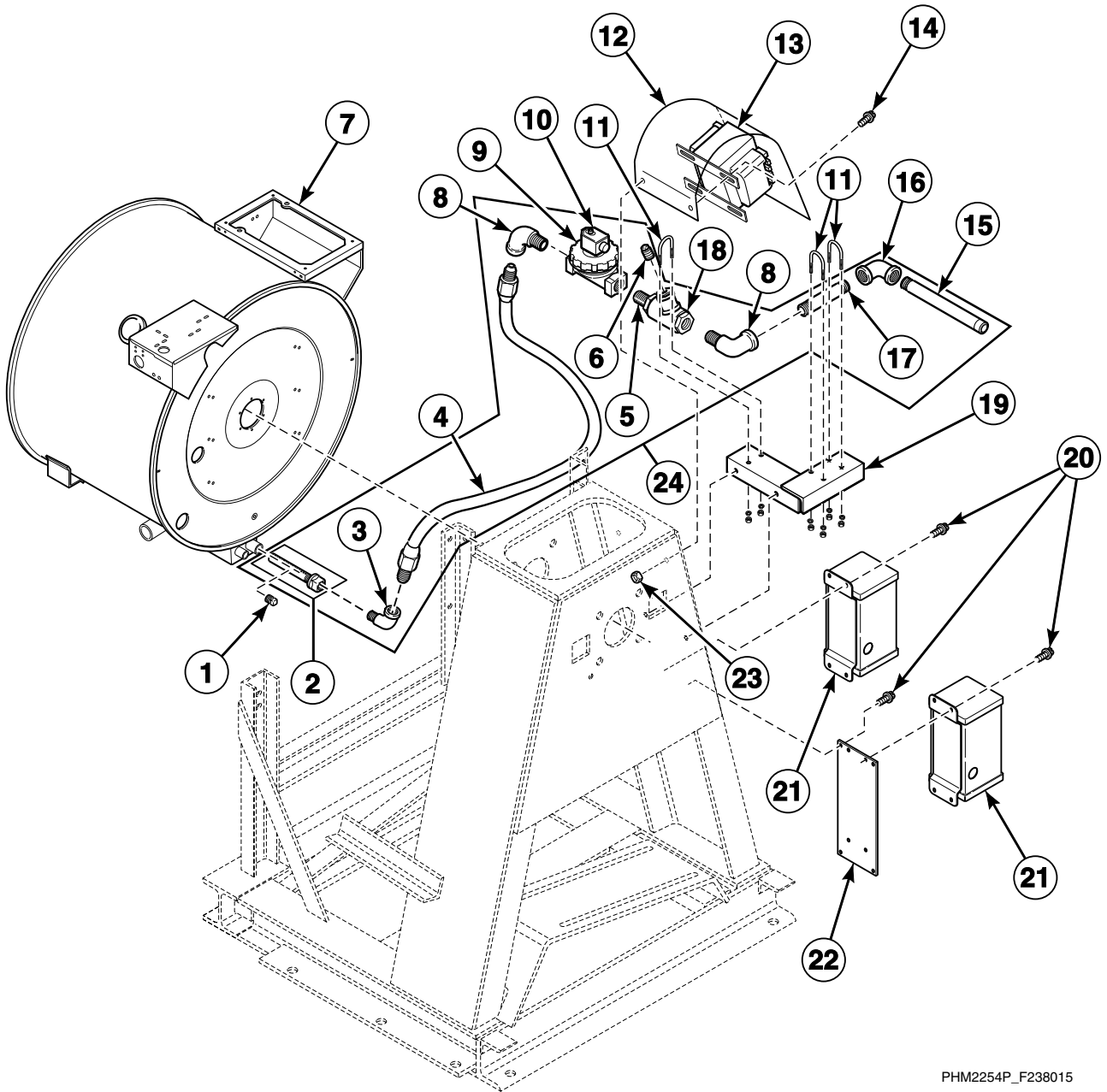
PHM2253P\_F238015

## Electric Heat Option - Models UW80PV and UW100PV

REF	PART NO.	DESCRIPTION	COMMENTS
1	F360203P	Heating Element	220 Volt; 9 used
2	F632397-1	Shell Assembly	Model UW80PV; 10-1/2 inch sump; Electric heat; Design 5 and 6
	F632397-3	Shell Assembly	Model UW80PV; 10-1/2 inch sump; Electric heat with starch; Design 5 and 6
	F630760-1	Shell Weldment	Model UW100PV; 10-1/2 inch sump; Electric heat; Design 5 and 6
	F0637536-00	Shell Weldment	Model UW80PV; Electric heat; Design 7
	N/A	Shell Weldment	Model UW80PV; Electric heat with starch; Design 7
	N/A	Shell Weldment	Model UW100PV; Electric heat; Design 7
	N/A	Shell Weldment	Model UW100PV; Electric heat with starch; Design 7
	F063765704	Shell Weldment	Model UW80PV; Electric heat; Design 8
	F063767104	Shell Weldment	Model UW100PV; Electric heat; Design 8
3	F421936	Reducer Bushing	
4	F370606P	Temperature Probe	
5	F430215	Nut	
6	F430107	Screw	
7	F140413	Box	
8	M413865	Terminal Block	
9	F430938	Screw	
10	F330188P	Contactor	220 Volt; NX208
11	F430311	Washer	
12	F430910	Screw	

**N/A = Part no longer available**

# Transformers and Steam Heat Option



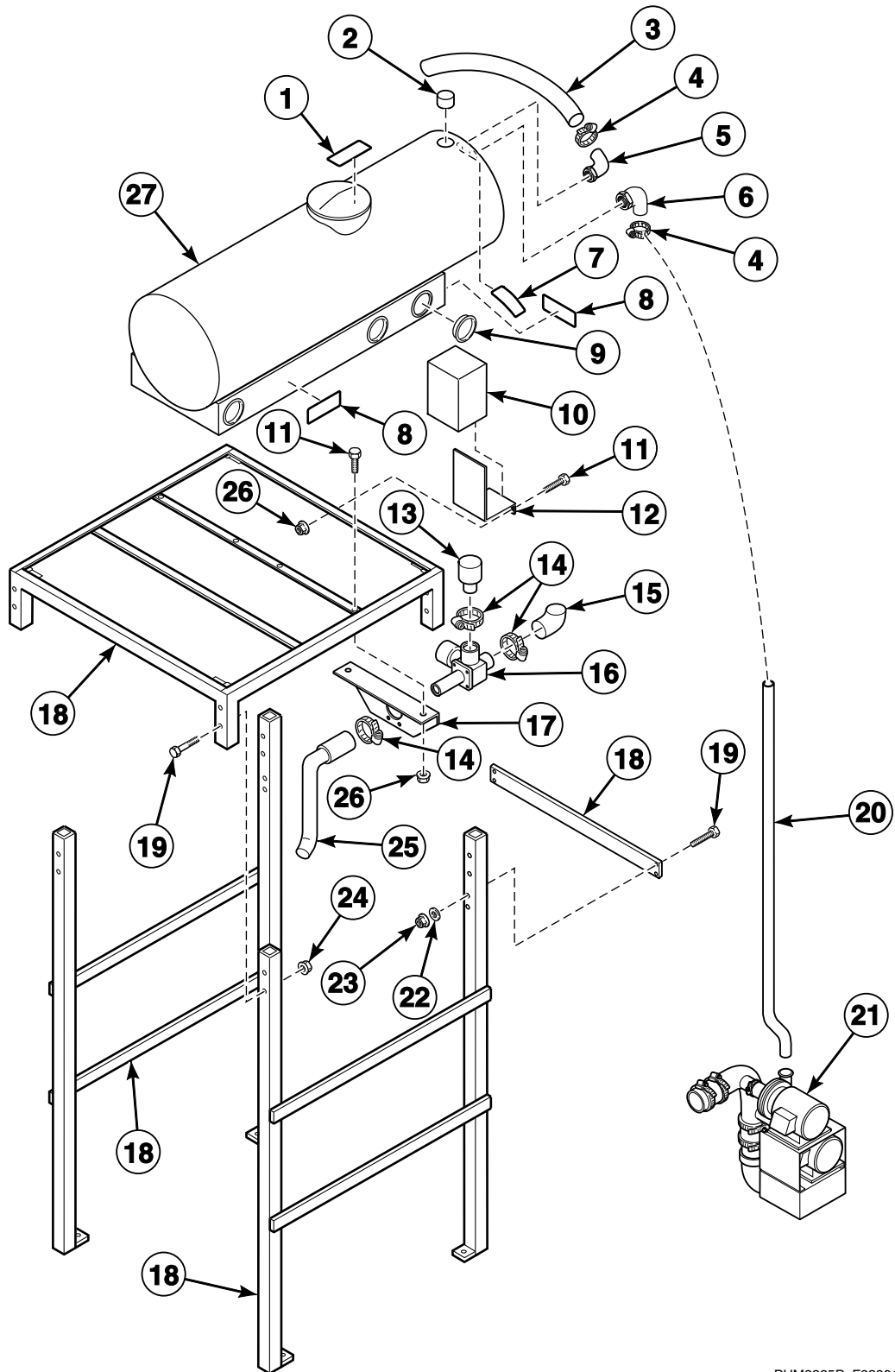
PHM2254P\_F238015

## Transformers and Steam Heat Option

REF	PART NO.	DESCRIPTION	COMMENTS
	F410300	Pipe Insulation	
1	F200202600	Plug	
2	F603131	Steam Injector Tube Assembly	
3	F421703	Street Elbow	Stainless steel
4	F200153P	Steam Hose	
5	F420708	Nipple	Models UW80AV, UW80PV and UW80VV
	F420710	Nipple	Models UW100AV, UW100PV and UW100VV
6	F420409	Plug	
7	F634471	Shell Assembly	Model UW80PV; Design 5 and 6
	F634471-1	Shell Assembly	Model UW80PV; Design 5 and 6; With starch
	N/A	Shell Weldment	Model UW80PV; Design 7
	N/A	Shell Weldment	Model UW80PV; Design 7; With starch
	F063753804	Shell Weldment	Model UW80PV; Design 8
	F634495	Shell Weldment	Model UW100PV; Design 5 and 6
	F634495-1	Shell Weldment	Model UW100PV; Design 5 and 6; With starch
	F0637540-00	Shell Weldment	Model UW100PV; Design 7
	F0637540-01	Shell Weldment	Model UW100PV; Design 7; With starch
	F063754004	Shell Weldment	Model UW100PV; Design 8
	F063753802	Shell Weldment	Models UW80AV and UW80VV
	F634485	Shell Weldment	Models UW100AV and UW100VV
8	H86070034	Street Elbow	
9	F380787P	Steam Valve	1/2 inch; 220 Volt; F380984 Steam Valve Repair Kit
10	F380987P	DIN Coil	220 Volt
11	F200401P	U-Bolt Clamp	Includes washers and nuts
12	F140425	Control Transformer Cover	
13	F360157P	Transformer	Models UW80PV and UW100PV; N and P-voltage
	F360156P	Transformer	Models UW80AV, UW100AV, UW80VV and UW100VV; N and P-voltage
14	F430935	Screw	
15	F420715	Nipple	Models UW80AV, UW80PV and UW80VV
	F420714	Nipple	Models UW100AV, UW100PV and UW100VV
16	70079601	Elbow	
17	F420711	Nipple	
18	F270307	Steam Filter	
19	F635634	Steam Bracket Weldment	
20	F430939	Screw	
21	F200031100	Transformer	Buckboost; N-voltage; 2 per machine
22	F631276	Transformer Adapter Plate	N-voltage models through 1/04
23	F430215	Nut	
24	F635653-2P	Steam Kit	Models UW80AV, UW80PV and UW80VV; Includes items 2-6, 8-10 and 15-18
	F635653-3P	Steam Kit	Models UW100AV, UW100PV and UW100VV; Includes items 2-6, 8-10 and 15-18

**N/A = Part no longer available**

# Water-Saving System Option Main View - Design 5 and 6 UW100PV Models



PHM2325P\_F238015

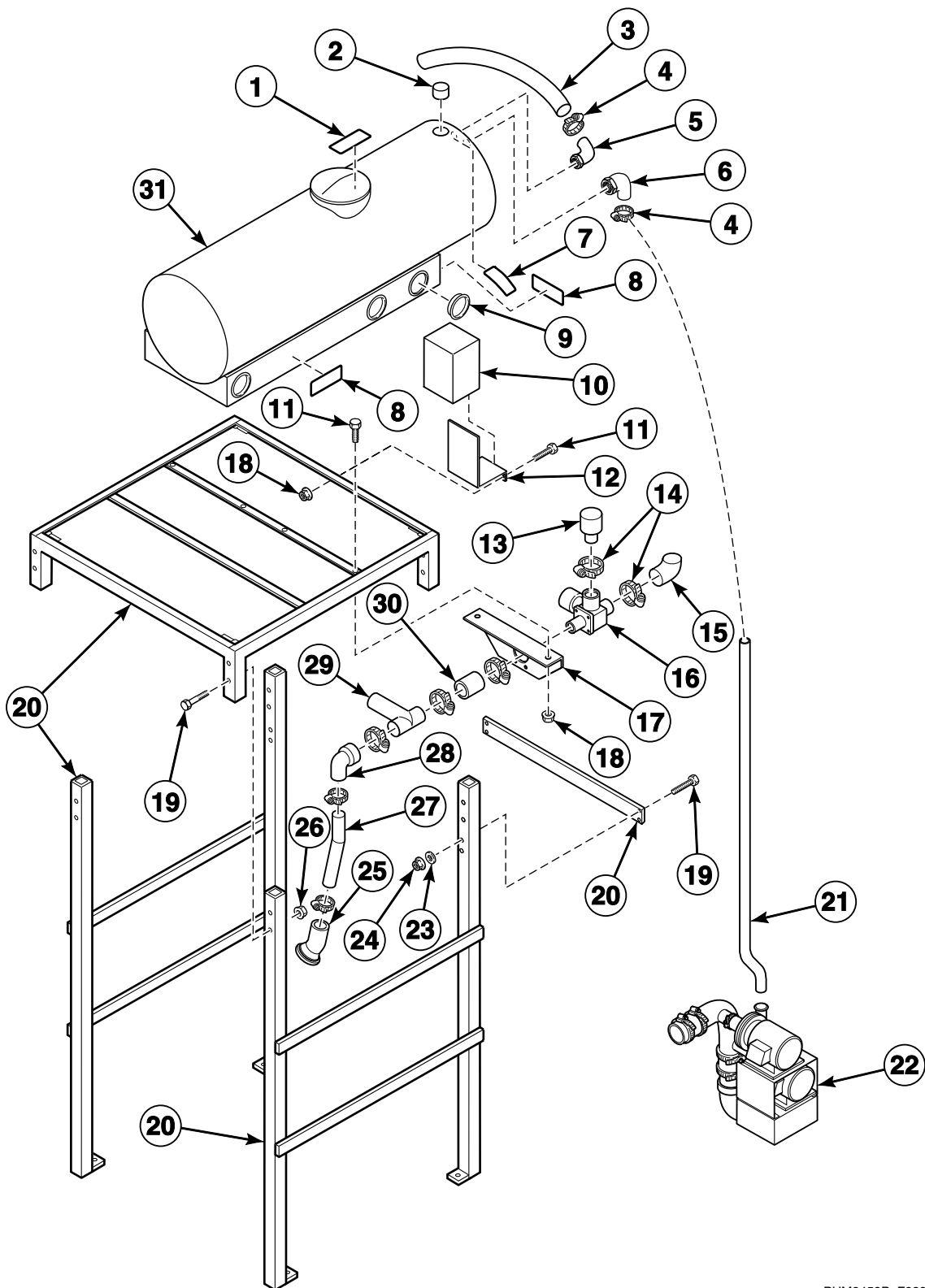


## Water-Saving System Option Main View - Design 5 and 6 UW100PV Models

REF	PART NO.	DESCRIPTION	COMMENTS
1	F231420	Top Cover Caution Decal	
2	F380117	Vacuum Breaker	
3	F150484	Reuse Overflow Hose	
4	F200215	Hose Clamp	No. 28
5	N/A	Elbow	
6	N/A	Elbow	
7	F231419	Do Not Obstruct Decal	
8	F231418	Do Not Climb Caution Decal	
9	N/A	Cap Plug	
10	N/A	Control Module Sub-Assembly	120 Volt
	N/A	Control Module Sub-Assembly	220 Volt
11	M400056	Screw	
12	F634191	Reuse Control Enclosure Mounting Bracket	
13	F422520	Reuse Drain Reducer	
14	F200213	Hose Clamp	No. 40
15	F422914	Reuse Drain Elbow	
16	F380635P	Reuse Drain Valve	
17	F634172	Drain Valve Bracket	
18	F634413	Reuse Frame Assembly	
19	F430996	Screw	
20	F200505	Reuse Inlet Hose	
21	F634674	Pump Sub-Assembly	
22	F431100	Washer	
23	F431026	Nut	
24	F430239	Nut	
25	F0637929-01	Tank Drain Sub-Assembly	
26	F430233	Nut	
27	F191008	Reuse Tank	

**N/A = Part no longer available**

# Water-Saving System Option Main View - Design 7 and 8 UW100PV Models



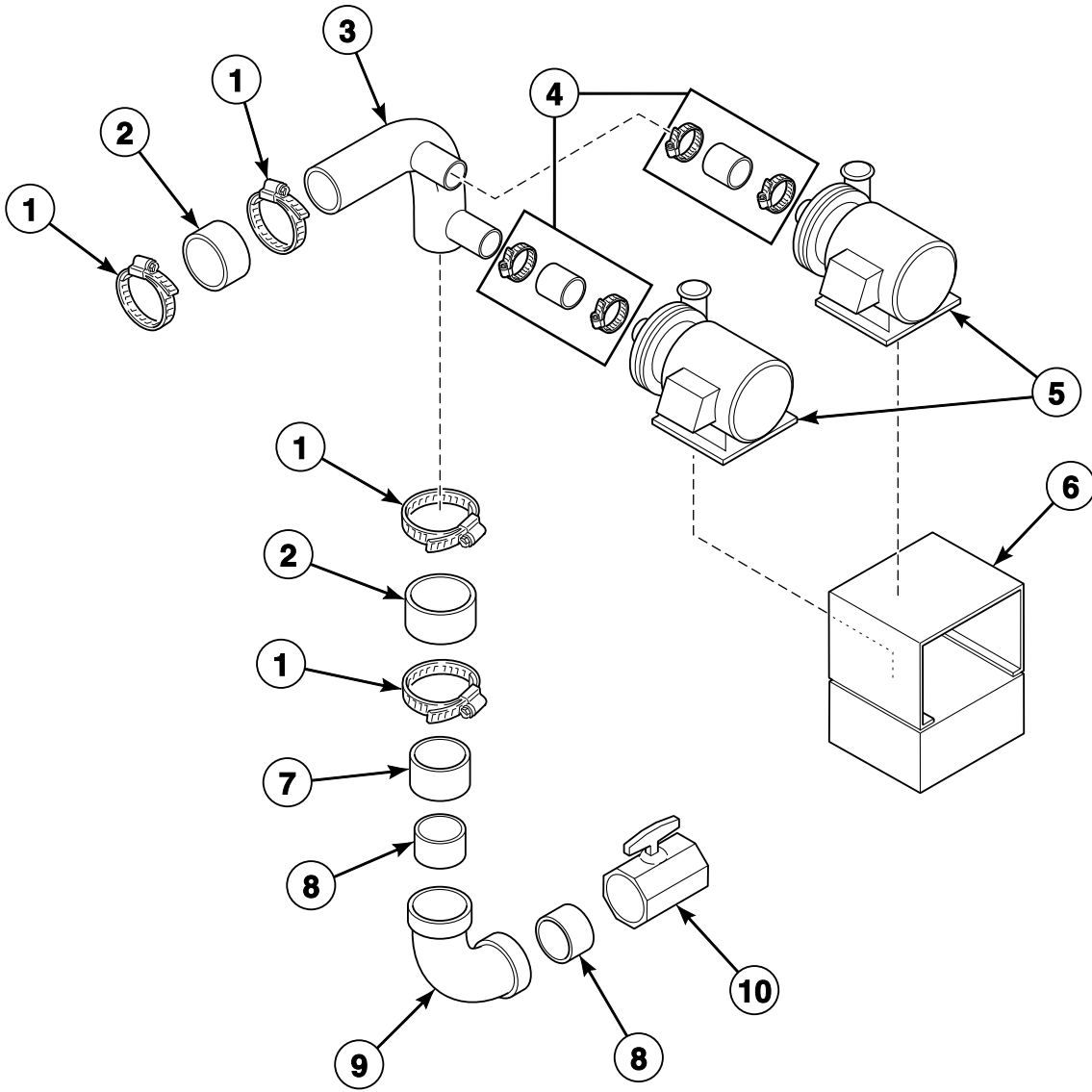
PHM2458P\_F238015

## Water-Saving System Option Main View - Design 7 and 8 UW100PV Models

REF	PART NO.	DESCRIPTION	COMMENTS
1	F231420	Top Cover Caution Decal	
2	F380117	Vacuum Breaker	
3	F150484	Reuse Overflow Hose	
4	F200215	Hose Clamp	No. 28
5	N/A	Elbow	
6	N/A	Elbow	
7	F231419	Do Not Obstruct Decal	
8	F231418	Do Not Climb Caution Decal	
9	N/A	Cap Plug	
10	N/A	Control Module Sub-Assembly	120 Volt
	N/A	Control Module Sub-Assembly	220 Volt
11	M400056	Screw	
12	F634191	Reuse Control Enclosure Mounting Bracket	
13	F422520	Reuse Drain Reducer	
14	F200213	Hose Clamp	No. 40
15	F422914	Reuse Drain Elbow	
16	F380635P	Reuse Drain Valve	
17	F634172	Drain Valve Bracket	
18	F430233	Nut	
19	F430996	Screw	
20	F634413	Reuse Frame Assembly	
21	F200505	Reuse Inlet Hose	
22	F634674	Pump Sub-Assembly	
23	F431100	Washer	
24	F431026	Nut	
25	F0637735-01	Water Reuse Hose	
26	F430239	Nut	
27	F0637736-01	Reuse Hose Adapter Weldment	
28	F0150486-02	Reuse Drain Hose	
29	F0634404-02	Water Reuse Tee Weldment	
30	F0200505-02	Reuse Inlet Hose	
31	F191008	Reuse Tank	

**N/A = Part no longer available**

# Water-Saving System Option Pump Sub-Assembly - Model UW100PV

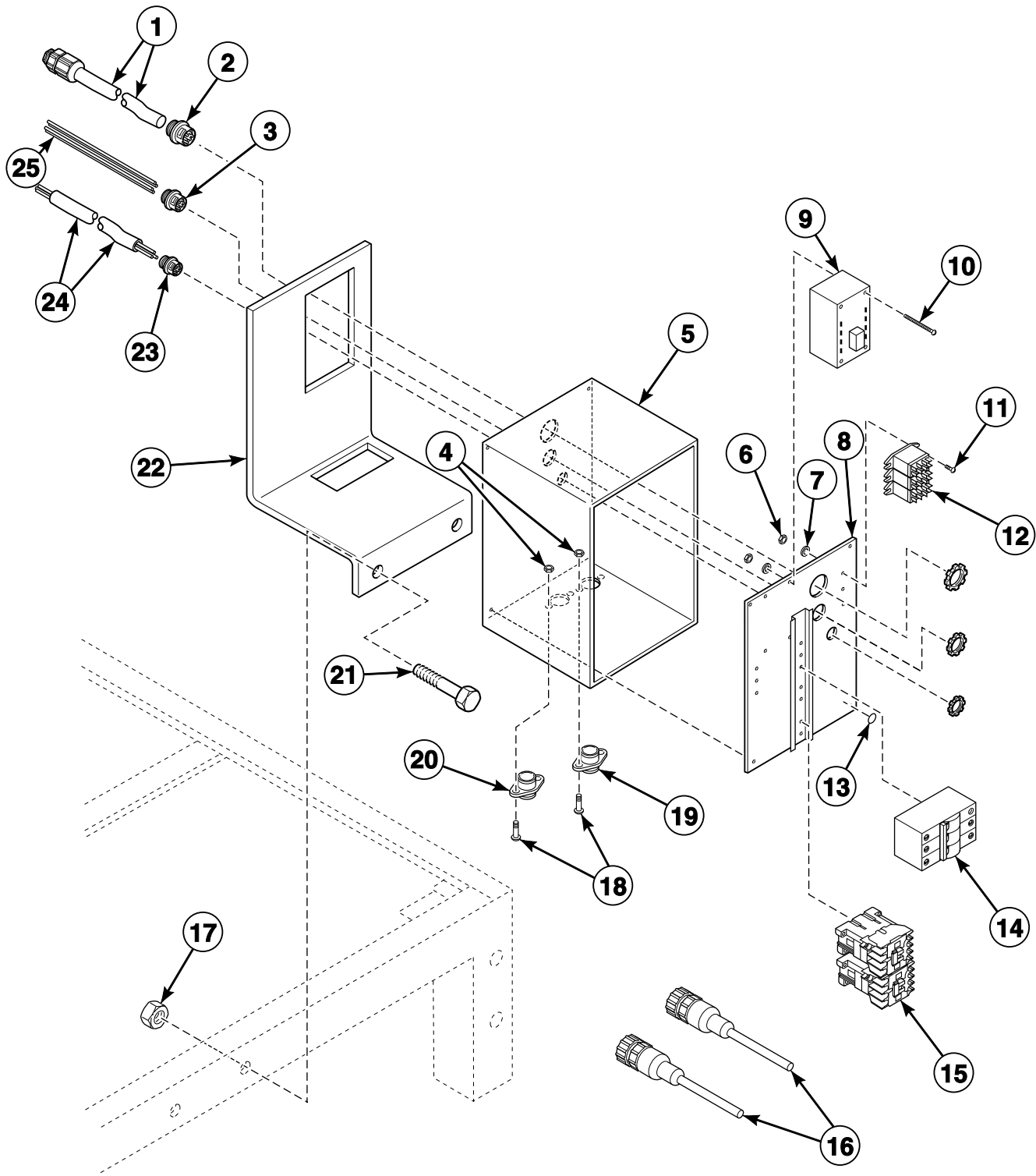


PHM789B\_F238015

## Water-Saving System Option Pump Sub-Assembly - Model UW100PV

REF	PART NO.	DESCRIPTION	COMMENTS
1	F200201	Hose Clamp	No. 56
2	F150442	Drain Hose	
3	F250707	Reuse Pump Manifold	
4	F422515	Tube Connector	
5	F270102P	Pump	
6	F634267	Reuse Pump Platform Assembly	
7	F150308	Overflow Hose	
8	F0602364-04	Pipe	
9	F422900	Elbow	
10	F380634	Ball Valve	

# Water-Saving System Option Control Module Sub-Assembly - Model UW100PV



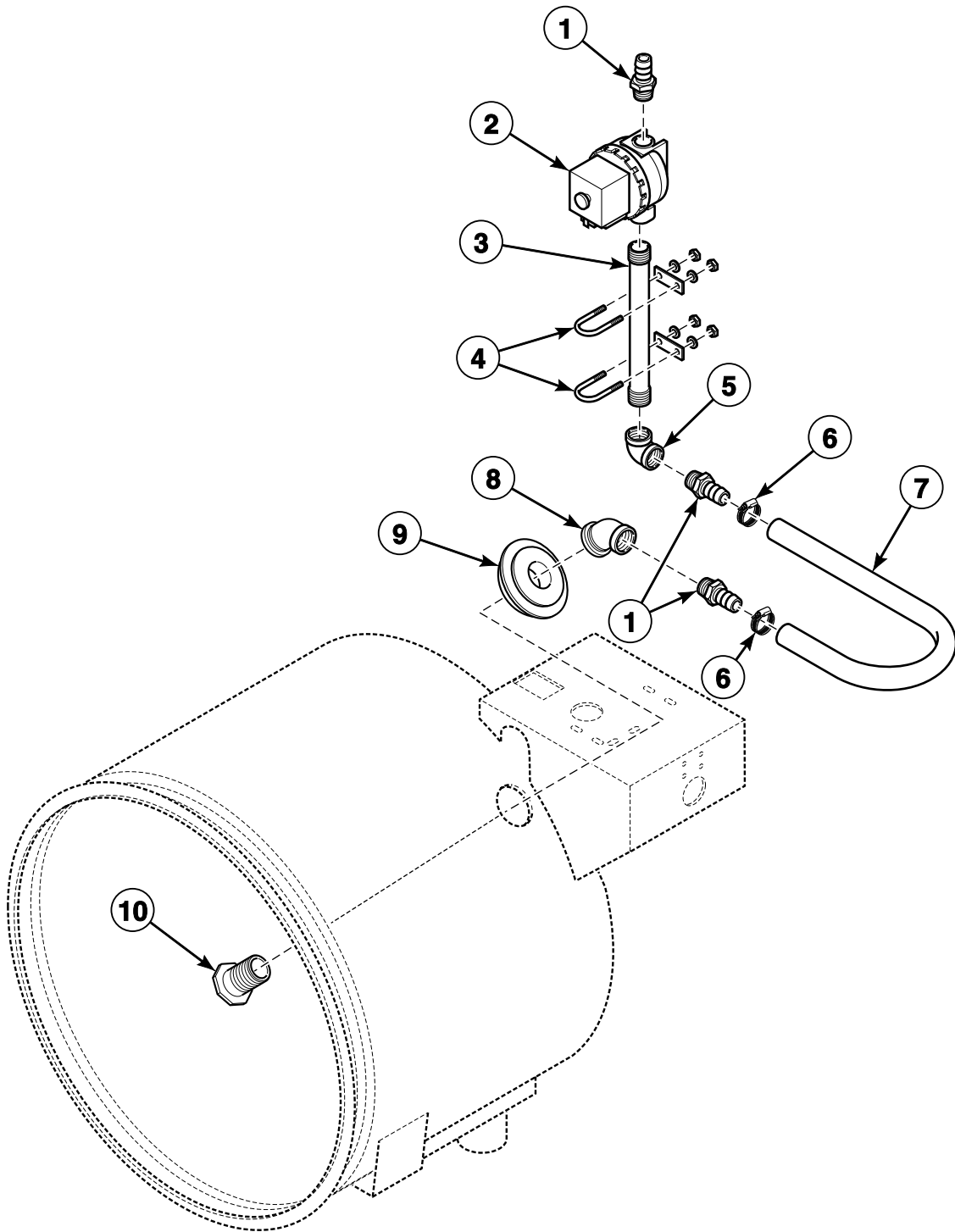
PHM2698P\_F238015

## Water-Saving System Option Control Module Sub-Assembly - Model UW100PV

REF	PART NO.	DESCRIPTION	COMMENTS
1	N/A	Reuse Control Cable Assembly	
2	F140331	Strain Relief Connector	Includes nut
3	F140328	Strain Relief Connector	Includes nut
4	F430231	Nut	
5	F140432	Box	
6	F431022	Nut	
7	F431113	Washer	
8	F634278	Control Panel Sub-Assembly	
9	F370437P	Relay CCA	120 Volt
10	F430910	Screw	
11	F430916	Screw	
12	F0330289-00	Flange Mount Relay	9 vdc
13	F230739	Ground Decal	
14	F350207P	Circuit Breaker	
15	F330175P	Contactors	120 Volt
16	F140254	Reuse Pump Motor Cable Assembly	B
	F140255	Reuse Pump Motor Cable Assembly	A
17	F430233	Nut	
18	F430928	Screw	
19	N/A	Pump A Harness Assembly	
20	F141876	Pump B Harness Assembly	
21	M400056	Screw	
22	F634191	Reuse Control Enclosure Mounting Bracket	
23	F140330	Strain Relief Connector	Includes nut
24	F140245	Cable	
25	45257	14 Gauge Wire	Order 15 feet; Gray
	N/A	14 Gauge Wire	Order 5 feet; Green/yellow

**N/A = Part no longer available**

# Water-Saving System Option Inlet - Model UW100PV



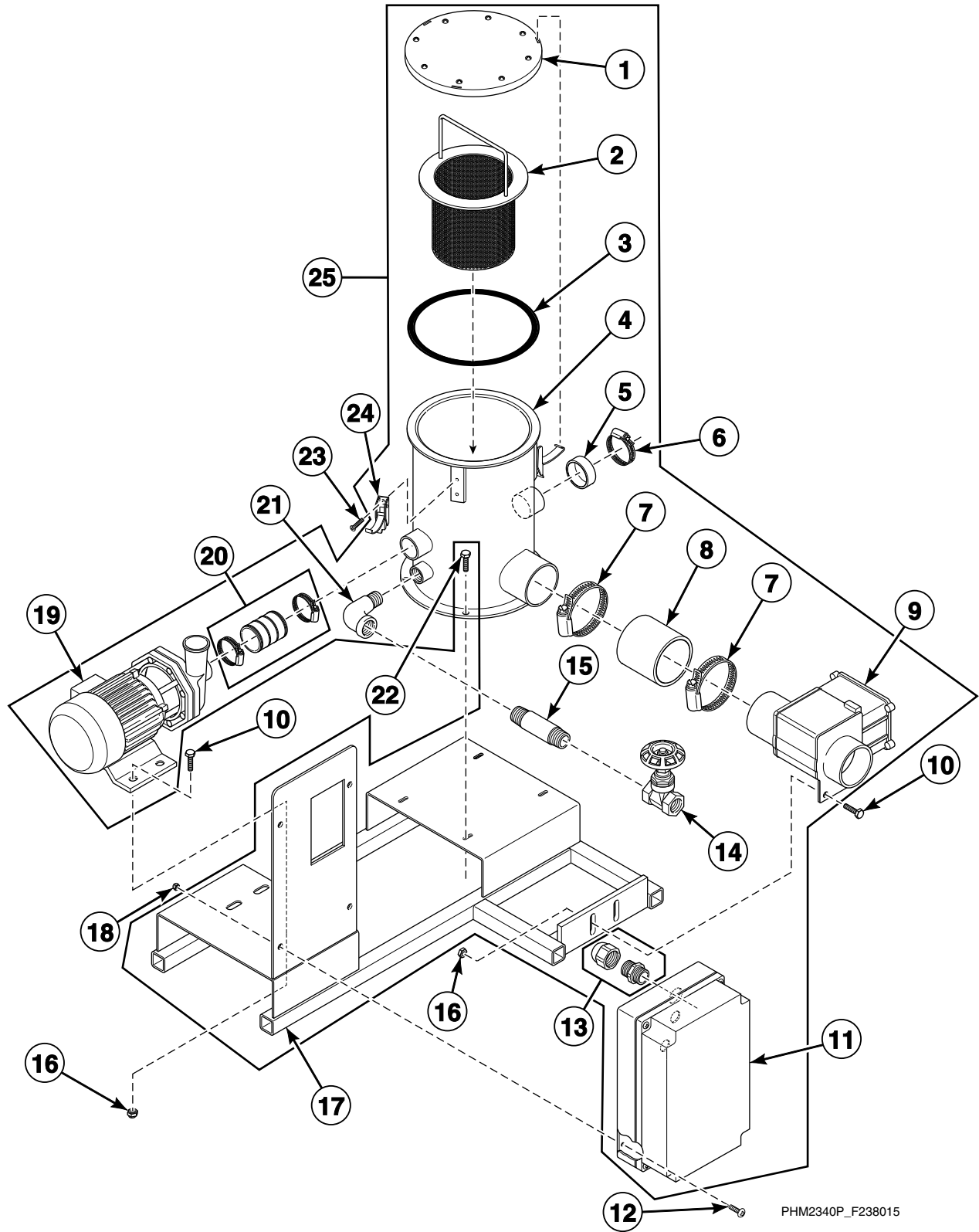
PHM2339P\_F238015



## Water-Saving System Option Inlet - Model UW100PV

REF	PART NO.	DESCRIPTION	COMMENTS
	F200099900	Auxiliary Water Reuse Inlet	Includes all items on this page
	F200096900	Extra Inlet Assembly	Includes items 1, 5, 9 and 10
<b>1</b>	F421951	Hose Barb	
<b>2</b>	F381701P	Valve	3/4 inch
<b>3</b>	F0421970-00	Nipple	
<b>4</b>	F200401P	U-Bolt Clamp	
<b>5</b>	F422314	Elbow	
<b>6</b>	F200222	Hose Clamp	No. 12
<b>7</b>	F200104P	Hose	
<b>8</b>	F422314	Elbow	
<b>9</b>	F200098900	Wet-Clean Inlet Grommet	
<b>10</b>	F200096800	Inlet Compression Weldment	

# Wet-Clean Option Main View - Models UW80PV and UW100PV

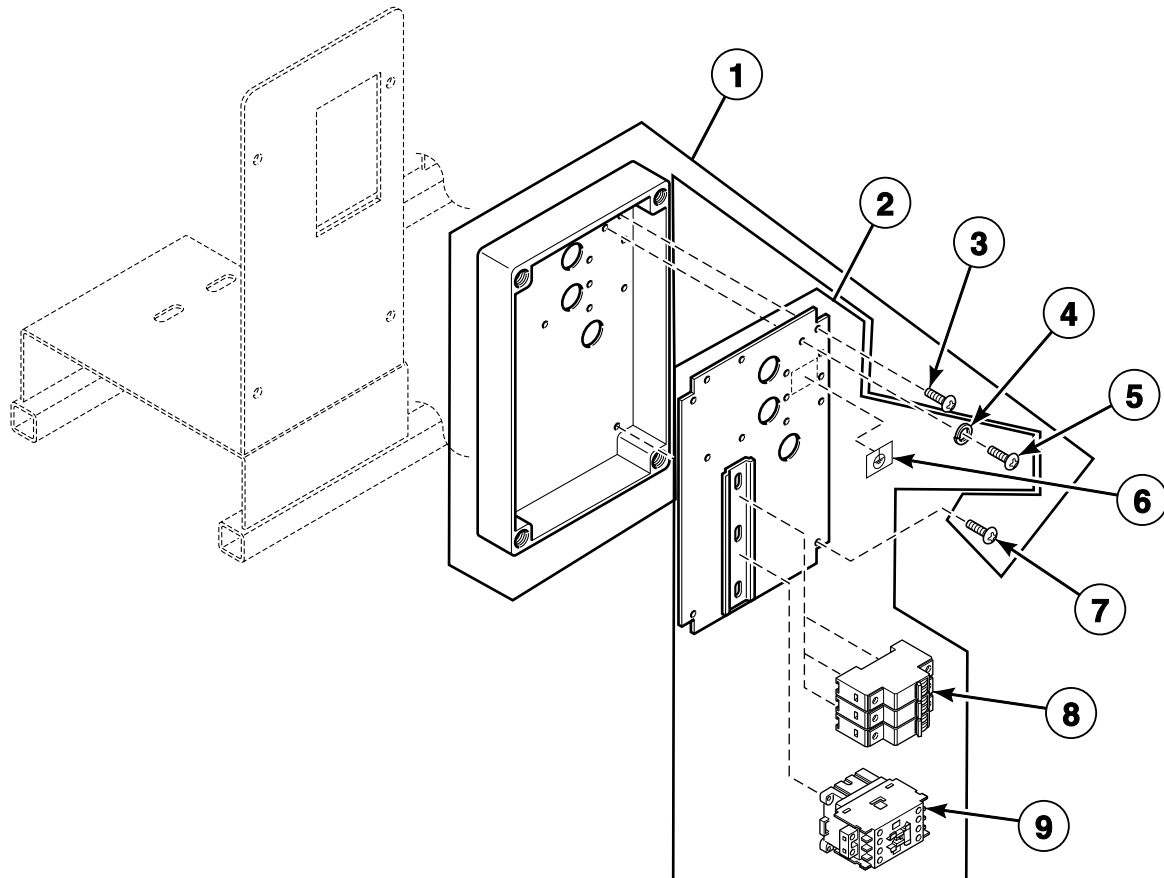


## Wet-Clean Option Main View - Models UW80PV and UW100PV

REF	PART NO.	DESCRIPTION	COMMENTS
1	F630300	Cover Assembly	
2	F630298	Filter Basket Weldment	
3	F170218	Canister Cover O-Ring	
4	F632355	Drain Canister Weldment	
5	F150352	Overflow Plug	
6	F200215	Hose Clamp	No. 28
7	N/A	Hose Clamp	No. 48
8	F150442	Drain Hose	
9	F380636	Ball Valve	
10	F430939	Screw	
11	F635664	Control Module Sub-Assembly	
12	F430932	Screw	
13	F140329	Strain Relief Connector	PG13
14	F380500	Gate Valve	
15	F421915	Nipple	
16	F431024	Nut	
17	F632693-2	Canister Stand Weldment	
18	F430232	Nut	
19	F270102P	Pump	
20	F422515	Tube Connector	
21	F422304	Street Elbow	
22	F430923	Screw	
23	F430903	Screw	
24	F432201	Draw Latch	
25	N/A	Wet-Clean Canister Stand Assembly	Includes items 1-9, 11, 13-15, 17, 19-21 and 24

**N/A = Part no longer available**

# Wet-Clean Option Control Module - Models UW80PV and UW100PV



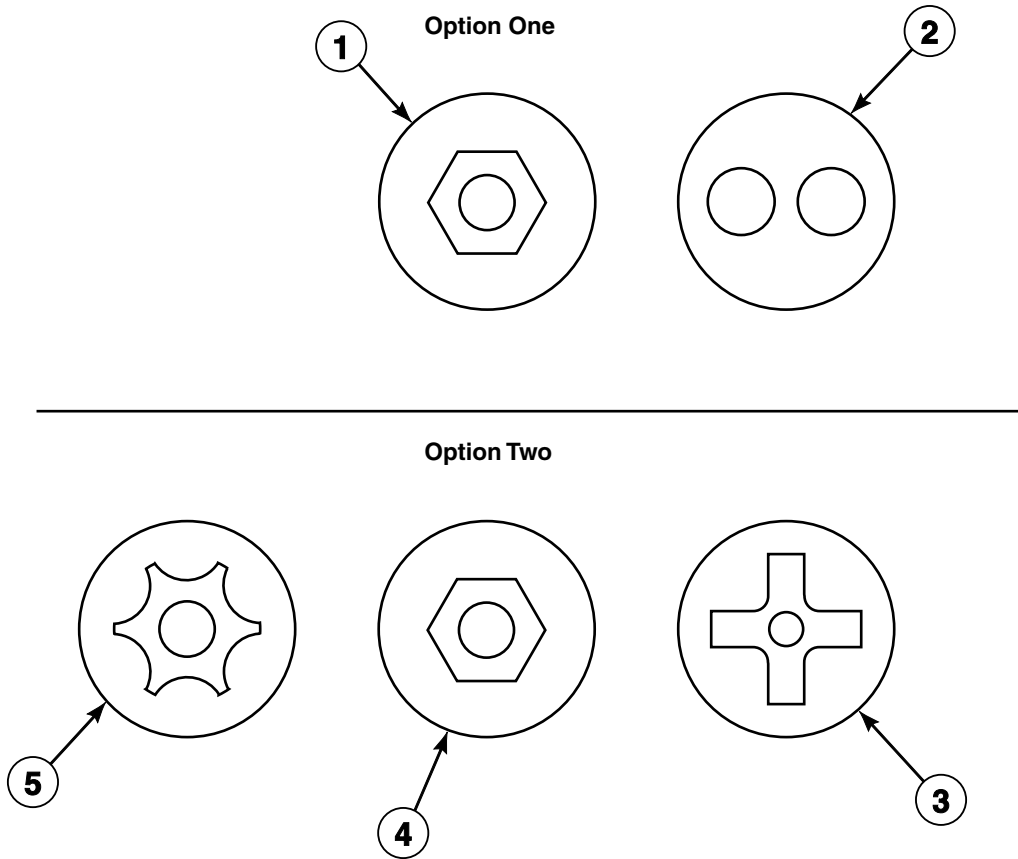
PHM2341P\_F238015

## Wet-Clean Option Control Module - Models UW80PV and UW100PV

REF	PART NO.	DESCRIPTION	COMMENTS
1	F140432	Box	Includes items 3 and 7
2	F634278	Control Panel Sub-Assembly	Includes items 4-6, 8 and 9
3	N/A	Screw	
4	N/A	Washer	
5	F430928	Screw	
6	F230739	Ground Decal	
7	N/A	Screw	
8	F350207P	Circuit Breaker	
9	F330177P	Contacto	

N/A = Part no longer available

# Security Fasteners



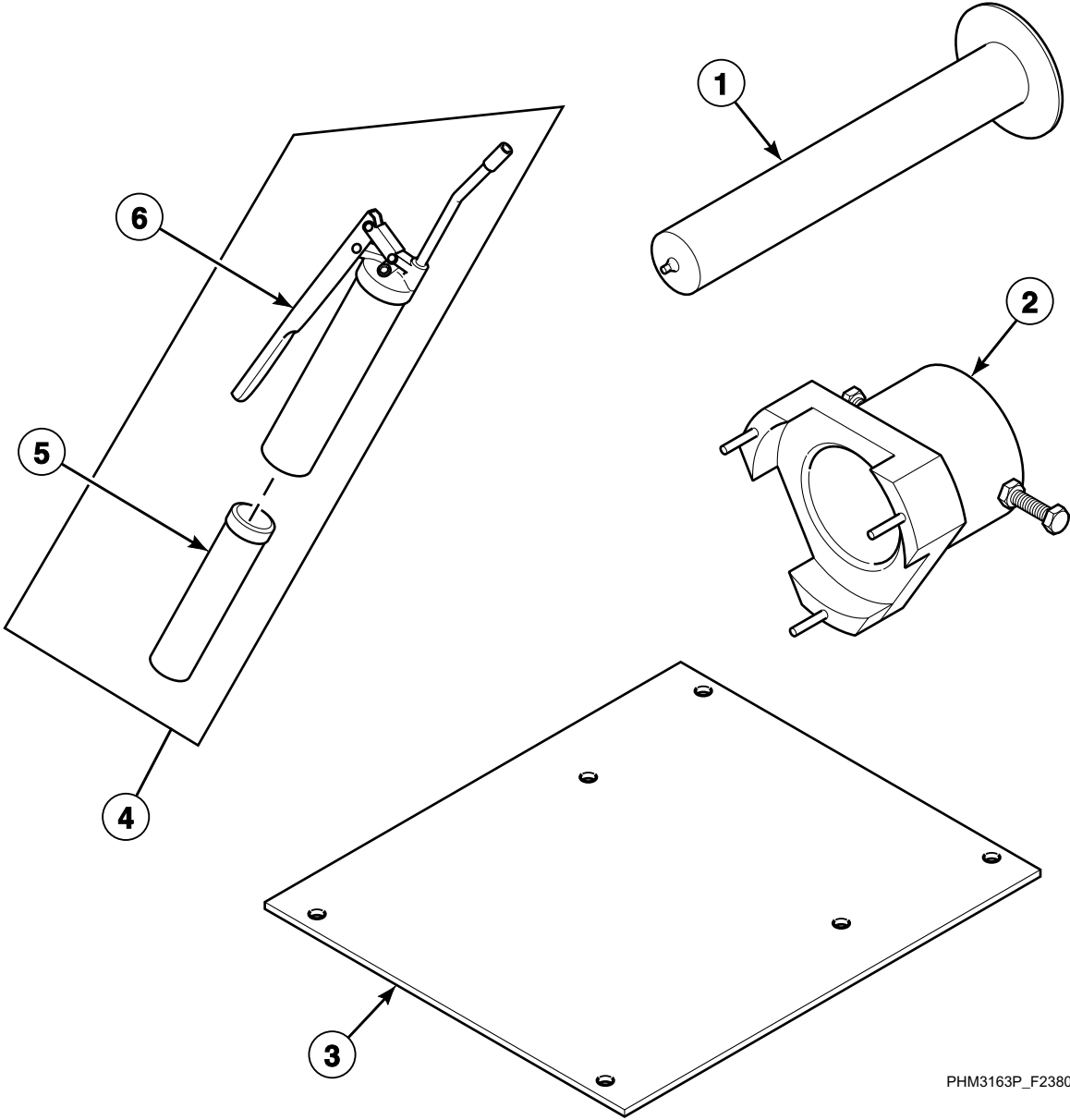
PHM2181P\_F238015

# Security Fasteners

REF	PART NO.	DESCRIPTION	COMMENTS
1	F0430275-00	Screw	No. 8; 32 x 1/2 inch; Used in place of F430956 Screw; Typical location is the side panels and module cover
	F430960	Screw	No. 10; 32 x 3/8 inch; Used in place of F430904 Screw; Typical location is the module to the shell
	N/A	Screw	Used in place of F430986 Screw; Typical location is the shell-mounted AC drive box
	F704906	Hex Bit	
2	F0430273-00	Screw	1/4 inch; 20 x 2-1/2 inch; Used in place of F430996 Screw; Typical location is the door box to the bracket
	F0430272-00	Screw	1/4 inch; 20 x 1-1/2 inch; Used in place of F430921 Screw; Typical location is the side panel to the bracket
	F0430274-00	Screw	1/4 inch; 20 x 1/2 inch; Used in place of F430925 Screw; Typical location is the drive box or the cover
	F704907	Spanner Bit	
3	F432260	Screw	1/4 inch; 20 x 2-1/2 inch; Used in place of F430996 Screw; Typical location is the door box to the bracket
	N/A	Phillips Bit	
4	N/A	Screw	1/4 inch; 20 x 1/2 inch; Used in place of F430925 Screw; Typical location is the drive box or cover
	N/A	Hex Bit	
5	F432259	Screw	No. 8; 32 x 1/2 inch; Used in place of F430956 Screw; Typical location is the side panels and module cover
	281P4	Torx Bit	

**N/A = Part no longer available**

# Special Tools



PHM3163P\_F238015

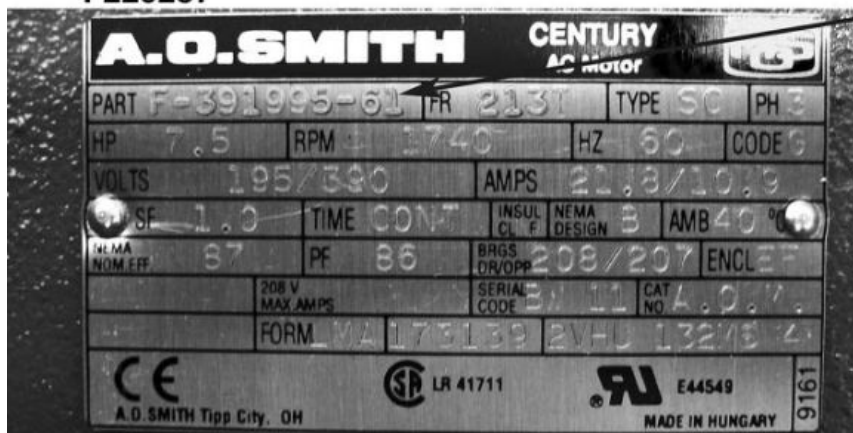


## Special Tools

REF	PART NO.	DESCRIPTION	COMMENTS
	F370851P	HIM Drive	Used with Allen-Bradley 160-series A and B inverter drives
	F798751	HIM Drive	Used with Allen-Bradley 160-series A, B and C inverter drives
	F730055-1	Mounting Bolt Kit	
	F798772	Rebar Frame Kit	Order with equipment
	1113P	Concrete Hardware Kit	
<b>1</b>	F633430	Shaft Assembly	
<b>2</b>	F200284800	Seal Alignment Fixture Assembly	
	F0100314-00	Shaft Seal Alignment Fixture	
<b>3</b>	F601648	Rebar Frame Template	
<b>4</b>	F798700	Grease Gun Kit	Includes items 5 and 6
<b>5</b>	F210206P	Bearing Grease	
<b>6</b>	F210207P	Grease Gun	

# Motor Manufacturer Part Number on the Motor's Nameplate

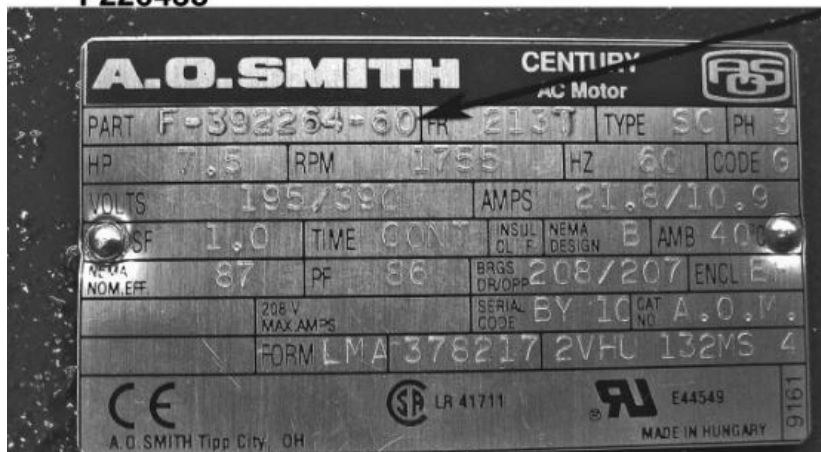
F220237



Motor  
Manufacturer  
Part No.  
F-391995-61

PHM2366P

F220438



Motor  
Manufacturer  
Part No.  
F-392264-60

PHM2367P

# Parts Index

## A

AC Drive	
F8169650 .....	31
F8169651 .....	31
F8169652 .....	31
F8169653 .....	31
AC Drive Enclosure Weldment	
F200097800 .....	29
AC Drive Exhaust Duct	
F200060700 .....	29
AC Drive Partition	
F635366 .....	11, 19, 21
AC Drive Partition Assembly	
F0637753-00 .....	11
AC Drive Radio Filter Assembly	
F200320900 .....	23
F200320901 .....	15, 29
AC Drive Resistor Assembly	
F8079901P .....	25
F8080001P .....	25
Adapter	
F421903 .....	55
F422508 .....	63
F8265701 .....	51, 53, 55, 57, 59
Air Coupling	
F422114 .....	29, 65
Air Flow Ramp Assembly	
F0637748-00 .....	11, 19, 21
Air Trap Hose	
F200163 .....	27
Auxiliary Water Reuse Inlet	
F200099900 .....	79

## B

Balance Switch Bracket	
F601750 .....	35
F8124301 .....	35
Ball Valve	
F380634 .....	75
F380636 .....	81
Basket Assembly	
F630764 .....	43
F632403 .....	43
Basket Pulley	
F150268 .....	65
Basket Pulley Bushing	
F280294P .....	65
Battery	
F191101 .....	13
Bearing Grease	
F210206P .....	87
Before Power Is Connected Tag	
F230501 .....	9
Belt	
F200140400P .....	65
F280355 .....	65

Belt Inspection Port Cover	
F200188300 .....	37
Bolt	
F0430539-00 .....	35
Box	
F140413 .....	67
F140432 .....	77, 83
Bushing	
F280233P .....	65
Buzzer	
F300206 .....	17

## C

Cable	
F140245 .....	77
Cable Assembly	
F604713 .....	25
Cable Tie	
F140605 .....	13, 19, 21, 65
F140606 .....	13, 19, 21
Cable Tray Assembly	
F0635615-03 .....	13, 19, 21
F0635615-04 .....	13, 19, 21
Cable Tray Cover	
F635378 .....	13, 19, 21
F635480 .....	13, 19, 21
Cage Wrap Weldment	
F200092200 .....	37
F200092400 .....	37
F635611 .....	37
F635612 .....	37
Canister Cover O-Ring	
F170218 .....	81
Canister Stand Weldment	
F632693-2 .....	81
Cap Plug	
F180486 .....	25
Chemical Supply Cup	
F150385 .....	47
F150386 .....	47
Chemical Supply Hose	
F0150470-00 .....	47
F150471 .....	47
Circuit Breaker	
F350207P .....	77, 83
F350210 .....	25
F8303001P .....	17, 23
Clean Filter Daily Decal	
F200061000 .....	9, 29
Clockwise Spin Rotation Decal	
F230652 .....	9, 39
Cold Water Valve Decal	
F231368 .....	9
Computer	
F037047530P .....	21
Computer Cover	
F606826 .....	13
Concrete Hardware Kit	
1113P .....	87

N/A items do not appear in index.

Conductor Decal F231146.....	9	Door Box Assembly F604888-1 .....	41
Connector F140312.....	29	Door Box Mounting Bracket F601129 .....	41
F140575P .....	25	Door Box Mounting Plate Kit F746806 .....	41
F140576P .....	25	Door Bumper Bushing F430416 .....	39
F422500.....	27	Door Bumper Moulding F150366 .....	39
J1408004 .....	29, 65	Door Butt Shim F0610695-00 .....	39
Contact Block Switch F200233401 .....	11, 19, 21	Door Gasket F017014501 .....	39
F200299500.....	11, 19, 21	F170145 .....	39
F340445.....	11, 19, 21	Door Glass Gasket F170117 .....	39
Contactactor F330175P .....	77	Door Glass Kit F290200P .....	39
F330177P .....	83	Door Glass Retainer F601239 .....	39
F330188P .....	67	Door Handle Casting F150203 .....	41
Containment Device F0380809-00.....	53, 59	Door Hinge Pin F601815 .....	39
Control Cover F0636887-00.....	21	Door Hinge Strap F200030600 .....	39
Control Module Cover F200134600.....	21	Door Hinge Strap Kit F200030600P .....	39
F634558.....	19	Door Kit F730307 .....	39
F635456.....	11	F730540 .....	39
Control Module Decal F0231565-00.....	21	Door Latch Bracket Shim F602058 .....	41
F231417 .....	19	Door Lock Solenoid F300129P .....	41
F231562.....	13	Door Push Brace F603683 .....	41
Control Module Sub-Assembly F635664.....	81	Drain Canister Weldment F632355 .....	81
Control Panel Sub-Assembly F634278.....	77, 83	Drain Hose F150437 .....	63
Control Transformer Cover F140425.....	69	F150442 .....	63, 75, 81
Conversion Kit F8356404 .....	65	F200165100 .....	63
Cover Assembly F630300.....	81	F610376P .....	63
<hr/>		Drain Valve Bracket F634172 .....	71, 73
<b>D</b>		Drain Valve Cover F200133600 .....	63
Diaphragm and Guide Kit G582P3.....	27, 49	Drain Valve Kit F200166402 .....	63
DIN Coil F380987P .....	51, 53, 55, 57, 59, 69	Drain Valve Motor F380933P .....	63
DIN Harness Assembly F141901P .....	51, 53, 55, 57, 61	Draw Latch F432201 .....	81
Disconnect Power Warning Label 505281 .....	9, 11, 19, 21	Drip Rail F150364 .....	45
Dispenser Assembly F0150512-00P .....	47	Drive Kit, 1336 to PowerFlex 40 F8324304 .....	33
Dispenser Lid F0150514-00.....	47	F8324305 .....	33
Do Not Climb Caution Decal F231418.....	71, 73	F8324404 .....	33
Do Not Obstruct Decal F231419.....	71, 73	F8324405 .....	33
Do Not Push Decal F230302.....	9, 37	Drive Kit, 160 to PowerFlex 40 F8171803 .....	33
Door Assembly F200119601.....	39		
Door Box F607202.....	41		

N/A items do not appear in index.

F8171804	33
F8171805	33
F8171903	33
F8171904	33
F8171905	33
F8172003	33
F8172004	33
F8172005	33
F8172103	33
F8172104	15, 33
F8172105	33
F8255404	33
F8255405	33
F8255504	33
F8255505	33
Drive Mounting Plate Assembly	
F8018200	29

## E

Elbow	
F420509	51, 53, 55, 57, 59
F422314	79
F422319	39
F422900	75
70079601	69
Electrical Access Panel	
F0637549-00	13, 19, 21
F635448	13
Emergency Stop Button Kit	
F200233700P	13, 19, 21
Emergency Stop Pushbutton	
F200233500	13, 19, 21
EMI Filter	
F330283	25
F330284	25
Extension Arm Assembly	
F8062001	41
Extension Arm Tab	
F601639	41
External Supply Box	
F635468	13, 19, 21
External Supply Box Cover	
F635365	13, 19, 21
External Supply Caution Decal	
F231345-4	9
F231345-5	9
External Supply Connection Decal	
F230764-10	9
F230764-9	9
Extra Inlet Assembly	
F200096900	79
Extrusion Insert	
F150397	37

## F

Face Seal	
F8161901	45
F8162001	45
Fill Plumbing Assembly	
F0637637-01	59
F633146-1	55, 57

F633146-5	55, 57
F633419-1	55, 57
F633419-5	55, 57
Filter	
F200318900P	17, 23, 29
Filter Basket Weldment	
F630298	81
Filter Retainer Guard	
F220900	17, 23, 29
Flange Mount Relay	
F0330289-00	77
Flange Relay	
F330230	17, 23
Frame Assembly	
F632394	45
F632394-1	45
Frame Weldment	
F630821-1	45
F630821-2	45
Front Bearing Kit	
F798831-00	65
Front Panel	
F635668P	37
Fuse	
F350108	15, 23
F350109	15, 23
F350110	15, 23
F350115	25
F350142	23, 25
Fuse Decal	
F0231629-00	25
Fuse Holder	
F0350312-10	25
F0350313-00P	25

## G

Gasket	
F170158P	47
Gate Valve	
F380500	55, 57, 59, 81
Glass	
F290201P	39
Grease Fitting	
F190701	29, 65
Grease Gun	
F210207P	87
Grease Gun Kit	
F798700	87
Grease Instruction Decal	
F231563	29, 65
Ground Decal	
F230630	25
F230739	77, 83
Ground Terminal Lug	
F140734	25

## H

Heating Element	
F360203P	67

N/A items do not appear in index.

Hex Bit	
F704906 .....	85
HIM Drive	
F370851P .....	87
F798751 .....	87
Hose	
F200104P .....	57, 61, 79
Hose Adapter	
F421909 .....	51, 53, 55, 57, 59
Hose Barb	
F421929 .....	45, 63
F421951 .....	55, 57, 59, 79
F421964 .....	57, 59
Hose Clamp	
F200201 .....	63, 75
F200206 .....	55, 57, 61
F200213 .....	47, 63, 71, 73
F200215 .....	27, 71, 73, 81
F200222 .....	55, 57, 61, 79
36801 .....	45, 49, 63
Hose Connector	
F200302 .....	49
Hose Strap	
F605324 .....	37
Hot Surface Warning Decal	
F200085000 .....	9
F231380 .....	9
Hot Water Valve Decal	
F231367 .....	9

## I

Injection Nozzle	
F8322001 .....	47
Injection Nozzle Kit	
F730168 .....	47
Inlet Compression Weldment	
F200096800 .....	79
Input Block Decal	
F0231636-00 .....	25
Input Power Block	
F140794-1 .....	25
Insulator Bushing	
F140909 .....	25
Interlock Switch	
F340900 .....	35, 41
Interlock Switch Spacer	
F601055 .....	41

## J

Jumper Kit	
F784003P .....	15

## K

Keymode Assembly	
F200174600P .....	25
Keymode Run/Program Switch	
F340800P .....	25

Keypad	
F023158231P .....	21
F370576P .....	19
Keypad Decal	
F230724P .....	13

## L

Light	
F350413 .....	29
Lower Door Latch Bracket Casting	
F150202 .....	41
Lower Door Latch Casting	
F150204 .....	41

## M

Magnet	
F8390801 .....	41
Magnetic Switch Assembly	
F200321200 .....	41
Main Drive Kit	
F380918 .....	63
Manual Bearing Greasing Retrofit Kit	
F745401 .....	65
Microcomputer	
F0370313-09P .....	19
Momentary Switch	
F200120100 .....	13, 19, 21
F340412 .....	13, 19
Motor	
F220214MP .....	65
F220237P .....	65
Motor Bushing	
F280242 .....	65
Motor Lead	
F8125501 .....	65
Motor Pulley	
C000795P .....	65
Mounting Bolt Kit	
F730055-1 .....	87
Muffin Fan	
F110105 .....	17, 23, 29

## N

Nipple	
F0421970-00 .....	79
F420101 .....	55, 57, 59
F420103 .....	57, 59
F420105 .....	51, 53, 55, 57, 59, 61
F420107 .....	51, 53, 55, 57, 59
F420708 .....	69
F420710 .....	69
F420711 .....	69
F420714 .....	69
F420715 .....	69
F421915 .....	81
No-Swivel Coupling	
F422109 .....	39

N/A items do not appear in index.

Nut	F0431807-00.....	37
	F430211.....	37
	F430215.....	37, 41, 43, 67, 69
	F430218.....	35
	F430231.....	13, 17, 19, 21, 23, 29, 41, 77
	F430232.....	41, 81
	F430233.....	71, 73, 77
	F430239.....	71, 73
	F430264.....	37
	F431000.....	13, 25
	F431004.....	29
	F431005.....	39, 41, 47
	F431006.....	25
	F431016.....	25
	F431017.....	31
	F431022.....	25, 39, 43, 77
	F431024.....	29, 81
	F431026.....	13, 19, 21, 39, 41, 71, 73
	H88412101.....	35
	20274.....	35, 41, 45, 65
	44087301.....	35
	70142.....	45
	802292.....	47

## O

O-Ring	F0170221-00.....	53, 59
	F170200.....	39
	F170208.....	47
	F170215.....	47
Output Board CCA	F370447-6P.....	23
Output CCA	F037044860-2.....	23
	F8321901P.....	15
Overflow Hose	F150308.....	75
Overflow Plug	F150352.....	81

## P

Personal Injury Warning Decal	F231065.....	9, 25
Pin	F430415.....	37
Pipe	F0602364-04.....	75
	F0602364-25.....	63
	F0602365-07.....	63
	F0602365-08.....	63
	F0602365-09.....	63
	F0602365-14.....	63
	F0602365-24.....	63
	F0602365-27.....	63
Pipe Insulation	F410300.....	69
Plug	F0200237-00.....	43
	F200202600.....	69
	F420408.....	55
	F420409.....	69

Plug Cap	F190304.....	47
Plug Removal Warning Decal	F0230112-00.....	9, 43
Pop Rivet	F431210.....	39, 41, 45, 63
	F431215.....	29
PowerFlex 40 AC Drive Retrofit Kit	F8324301.....	31
	F8324302.....	31
	F8324401.....	31
	F8324402.....	31
Program Key	F370709.....	25
Pulley	F280181.....	65
	F280412.....	65
Pump	F270102P.....	75, 81
Pump B Harness Assembly	F141876.....	77
Pump Sub-Assembly	F634674.....	71, 73
Push Decal	F230303.....	39, 41
Push Handle Kit	F746202-1.....	39, 41

## R

RC Network Filter	F330217P.....	19, 21, 41
Rear Bearing Kit	F745006.....	65
Rear Panel	F200188000P.....	37
Rebar Frame	F798772.....	87
Rebar Frame Template	F601648.....	87
Reducer Bushing	F421936.....	67
Relay CCA	F370437P.....	77
Repair Kit	F380965P.....	51, 55, 57
Resistor	F370116.....	23, 25
Reuse Control Enclosure Mounting Bracket	F634191.....	71, 73, 77
Reuse Drain Elbow	F422914.....	71, 73
Reuse Drain Hose	F0150486-02.....	73
Reuse Drain Reducer	F422520.....	71, 73
Reuse Drain Valve	F380635P.....	71, 73
Reuse Frame Assembly	F634413.....	71, 73
Reuse Hose Adapter Weldment	F0637736-01.....	73

N/A items do not appear in index.

Reuse Inlet Hose	
F200505-02.....	73
F200505.....	71, 73
Reuse Overflow Hose	
F150484.....	71, 73
Reuse Pump Manifold	
F250707.....	75
Reuse Pump Motor Cable Assembly	
F140254.....	77
F140255.....	77
Reuse Pump Platform Assembly	
F634267.....	75
Reuse Tank	
F191008.....	71, 73
Ribbon Cable	
F140218P.....	13, 15
F140219P.....	13, 15, 19, 21
F140248P.....	13, 15
Ring Retainer	
F310206.....	39
Rotation Sensor Assembly	
F200126200P.....	35
Rotation Sensor Bracket	
F200122500.....	35
Rotation Sensor Harness	
F8066401.....	35
Rotation Sensor PCB	
F200101300P.....	35
Rotation Sensor Retrofit Kit	
F079900800.....	35
Rub Rail	
F150409.....	37

## S

Screw	
F0430165-00.....	17, 23, 29
F0430272-00.....	85
F0430273-00.....	85
F0430274-00.....	85
F0430275-00.....	85
F430103.....	39
F430107.....	67
F430168.....	41
F430502.....	39
F430518.....	43
F430903.....	25, 81
F430909.....	25, 41
F430910.....	17, 23, 29, 67, 77
F430913.....	45
F430916.....	41, 77
F430917.....	13, 19, 21, 39, 41, 43, 47
F430920.....	31
F430921.....	37
F430923.....	81
F430924.....	45
F430927.....	35, 41
F430928.....	11, 19, 21, 77, 83
F430932.....	81
F430935.....	69
F430938.....	25, 53, 59, 67
F430939.....	69, 81
F430948.....	49
F430956.....	37, 41
F430960.....	85

F430986.....	29
F430993.....	65
F430995.....	25, 41
F430996.....	41, 71, 73
F432259.....	85
F432260.....	85
F8111101.....	35
F8122701.....	35
F8136401.....	13, 19, 21
M400056.....	71, 73, 77
70240301.....	13, 19, 21, 37
800461.....	35
Scupper	
F150389.....	45, 63
Seal	
F170151.....	13, 19, 21
Seal Alignment Fixture Assembly	
F200284800.....	87
Seal Kit	
F798827-00.....	45
F798829-00.....	45
Shaft Assembly	
F633430.....	87
Shaft Seal Alignment Fixture	
F0100314-00.....	87
Shell Assembly	
F632397-1.....	45, 67
F632397-3.....	45, 67
F634471.....	45, 69
F634471-1.....	45, 69
Shell Band Assembly	
F603910.....	43
F603911.....	43
Shell Band Fastener Kit	
F791001.....	43
Shell Band Gasket	
F170120RP.....	43
Shell Front Kit	
F8011301P.....	43
Shell Gasket Shield	
F601216.....	43
Shell Mounting Bracket	
F601806.....	45
Shell Reinforcement Plate Assembly	
F8084201.....	45, 63
Shell Weldment	
F0637536-00.....	67
F063753802.....	45, 69
F063753804.....	43, 69
F0637540-00.....	43, 69
F0637540-01.....	43, 69
F063754004.....	43, 69
F063765704.....	67
F063767104.....	67
F630760-1.....	45, 67
F634485.....	45, 69
F634495.....	45, 69
F634495-1.....	45, 69
Side Panel	
F635670P.....	37
F635671.....	37
Side Panel Bracket	
F601982.....	37
Side Panel Cover	
F607262.....	37

N/A items do not appear in index.



Slinger	
F100204 .....	45
Snap Bushing	
F140938 .....	27
Soap Dispenser Hose	
F150309 .....	63
Soap Dispenser Shroud Weldment	
F8024301 .....	47
Spanner Bit	
F704907 .....	85
Spray Plumbing Assembly	
F0637638-01 .....	53
F0637638-03 .....	53
F633151-5 .....	51
Spray Rinse Bracket Assembly	
F602901P .....	39, 43
Spray Rinse Hose Kit	
F730024 .....	39
Spray Rinse Nozzle Kit	
F730077 .....	39
Spray Rinse Strap	
F602880 .....	39, 43
Spray Rinse Tube Assembly	
F603696-5 .....	39
F603696-6 .....	39
Standoff	
F180501 .....	35
F180506 .....	17, 23
Steam Bracket Weldment	
F635634 .....	69
Steam Filter	
F270307 .....	69
Steam Hose	
F200153P .....	69
Steam Injector Tube Assembly	
F603131 .....	69
Steam Kit	
F635653-2P .....	69
F635653-3P .....	69
Steam Valve	
F380787P .....	69
Strain Relief Adapter Kit	
F749802 .....	47
Strain Relief Connector	
F140328 .....	77
F140329 .....	81
F140330 .....	77
F140331 .....	77
F140340P .....	47
Strainer	
F270200 .....	49
Street Elbow	
F420500 .....	55, 57, 59
F420502 .....	51, 53, 55, 57, 59
F421703 .....	69
F422304 .....	81
H86070034 .....	69
Supply Dispenser Hazard Caution Decal	
F231436 .....	9, 47
Supply Dispenser Spacer	
F0150525-00 .....	47
Switch	
F340921 .....	35

Switch Extension	
F340924 .....	35
Switch Mode Decal	
F0231632-00 .....	25
F231564 .....	25
Swivel Coupling	
F422108 .....	39

---

## T

Tank Drain Sub-Assembly	
F0637929-01 .....	71
Tee	
F420400 .....	55
F420402 .....	57, 59, 61
F422801 .....	63
F422803 .....	63
Temperature Probe	
F370606P .....	35, 67
Terminal Block	
F140776 .....	25
F140782 .....	25
M413865 .....	67
Thermostat	
F290115 .....	29
This Machine Must Be Protected Decal	
F230301 .....	9
Tie Wrap Mounting Clamp	
F140602 .....	13, 19, 21
Top Cover Caution Decal	
F231420 .....	71, 73
Top Exhaust Panel Assembly	
F200097600 .....	29
F200316100 .....	31
Top Latch Bracket Casting	
F150201P .....	41
Torx Bit	
281P4 .....	85
Transformer	
F200031100 .....	69
F360156P .....	69
F360157P .....	69
Transformer Adapter Plate	
F631276 .....	69
Trim	
F170400RP .....	37, 47
F170404 .....	11, 19, 21
Tube Connector	
F422106 .....	51, 53
F422515 .....	75, 81
Tubing	
C000628P .....	29, 65
F422404P .....	27

---

## U

U-Bolt Clamp	
F200401P .....	51, 53, 55, 57, 61, 69, 79

N/A items do not appear in index.

---

## V

Vacuum Breaker	
F380117 .....	63, 71, 73
Vacuum Breaker Cap	
F0380808-00 .....	53, 59
Vacuum Breaker Kit	
F0798922-00 .....	53, 59
Vacuum Breaker Valve	
F063754701P .....	59
F380800P .....	51, 53, 55, 57
Valve	
F381701P .....	51, 53, 55, 57, 61, 79
F381703P .....	57, 59
Valve Repair Kit	
F380993P .....	57, 59
Valve, 4-Way	
F381723P .....	27, 49

---

## W

Washer	
F430300 .....	65
F430311 .....	67
F430317 .....	37, 43
F430332 .....	29, 65
F431100 .....	29, 37, 39, 41, 47, 71, 73
F431101 .....	29
F431106 .....	25
F431108 .....	13, 19, 21, 25, 41
F431112 .....	45
F431113 .....	13, 19, 21, 43, 77
F431116 .....	45
F431118 .....	41
F431123 .....	13, 19, 21
F431125 .....	13, 19
F431137 .....	29
F431142 .....	41
F431147 .....	47
F8195301 .....	47
M400013 .....	45
M400014 .....	35, 45, 65
M400081 .....	35, 45, 65
20290 .....	55, 57, 61
803615 .....	55, 57, 61
Water Hose	
F200107P .....	45, 63
F200110P .....	49
F200164 .....	55, 57, 61
F200166 .....	55, 57, 61
F200509 .....	55, 57, 61
Water Level Switch	
F0340346-10P .....	27
Water Reuse Hose	
F0637735-01 .....	73
Water Reuse Tee Weldment	
F0634404-02 .....	73
Water Valve Assembly Decal	
F230754 .....	49
Water Valve Repair Kit	
F380991P .....	51, 53, 57, 61
Wet-Clean Inlet Grommet	
F200098900 .....	79

N/A items do not appear in index.

WE-6 Computer	
F037062441P .....	13
F200276400P .....	13
WE-6 Interface CCA Kit	
F0370446-21P .....	15
Wire, 14 Gauge	
45257 .....	77

---

## Y

Y Connector	
F422816 .....	49

---