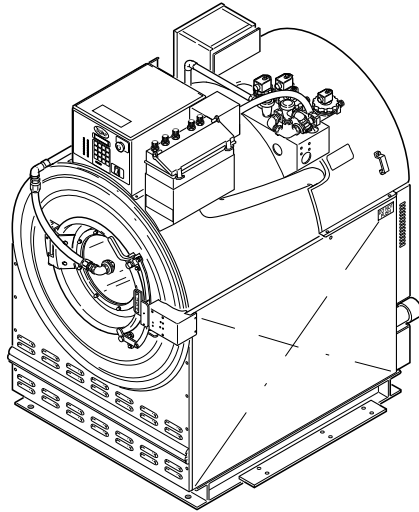


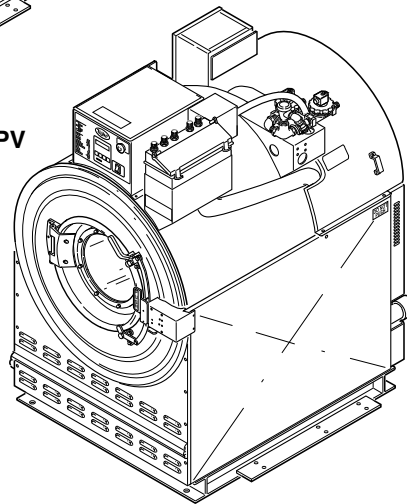
Washer-Extractor

Pocket Hardmount

Refer to Page 3 for Model Numbers



Models UW80PV and UW100PV



Model UW100VV

PHM1404C

Table of Contents

Title	Page
Parts Ordering Information.....	2
Serial Plate Location	2
Model Identification	3
Pocket Hardmount Washer-Extractor Product Overview	4
Decals	6
Control Module (Drawing 1 of 7) - Models UW80PV and UW100PV.....	8
Control Module (Drawing 2 of 7) - Model UW100VV	10
Control Module (Drawing 3 of 7) - Models UW80PV and UW100PV.....	12
Control Module (Drawing 4 of 7) - Model UW100VV	14
Control Module (Drawing 5 of 7)	16
Control Module (Drawing 6 of 7)	18
Control Module (Drawing 7 of 7)	20
Balance Switch and Temperature Probe	22
Front, Rear and Side Panels.....	24
Door and Spray Tube Assembly	26
Door Lock.....	28
Basket, Shell and Frame (Drawing 1 of 2)	30
Basket, Shell and Frame (Drawing 2 of 2)	32
Supply Dispenser	34
Water Supply Valve and Hoses to Supply Dispenser - Mueller Valve	36
Water Supply Valve and Hoses to Supply Dispenser - Elbi Valve	38
Spray Plumbing - Models UW80PV and UW100PV	40
Fill Plumbing	42
Vacuum Breaker Assembly with Leak Containment Kit.....	44
Drain System, Overflow and Vent Pipes	46
Motor, Pulley and Bearings	48
AC Drive.....	50
Electric Heat Option - Models UW80PV and UW100PV	52
Steam Heat Option	54
Water-Saving System Main View - Model UW100PV	56
Water-Saving System Pump Sub-Assembly - Model UW100PV	58
Water-Saving System Control Module Sub-Assembly - Model UW100PV	60
Wet-Clean Assembly Main View - Models UW80PV and UW100PV.....	62
Security Fasteners	64
Special Tools	66
Parts Index.....	69

© Copyright 2014, Alliance Laundry Systems LLC

All rights reserved. No part of the contents of this book may be reproduced or transmitted in any form or by any means without the expressed written consent of the publisher.

Parts Ordering Information

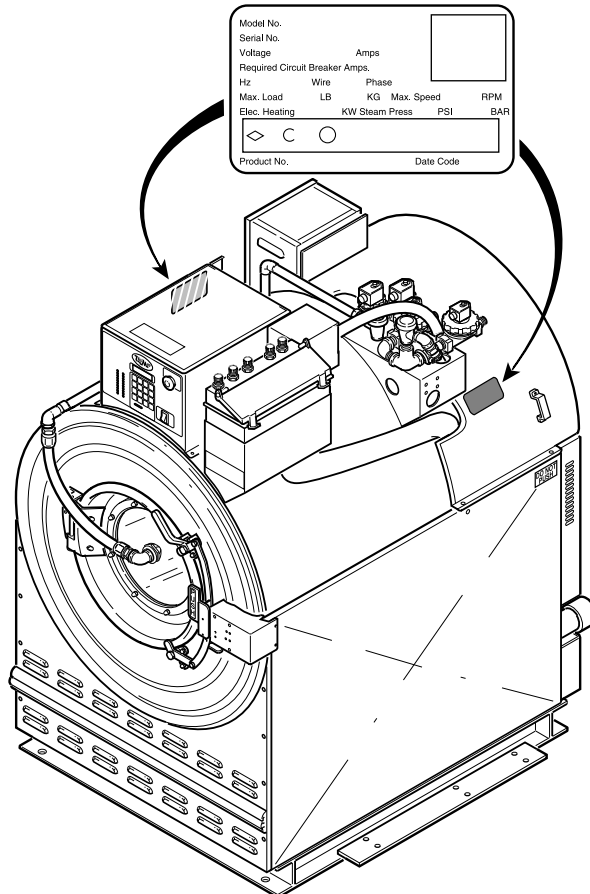
If literature or replacement parts are required, contact the source from whom the machine was purchased or contact Alliance Laundry Systems at (920) 748-3950 for the name and address of the nearest authorized parts distributor.

For technical assistance, call either of the numbers listed below:

(920) 748-3121 Ripon, Wisconsin
+32 56 41 20 54 Wevelgem, Belgium

Serial Plate Location

When calling or writing about your product, be sure to mention model and serial numbers. Model and serial numbers are located on serial plate(s) as shown.



PHM2507P_F232121

Model Identification

Information in this manual is applicable to these washer-extractor models:

UW80PV

UW100PV

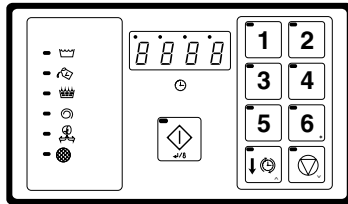
UW100VV

NOTE: This manual applies to models with 1, 2, 3 or 4 in the 8th or 9th position in the model number (e.g. UW80PVU10001)

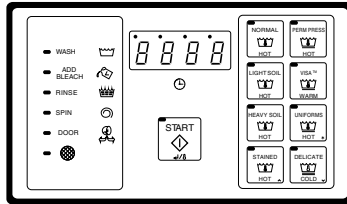
Pocket Hardmount Washer-Extractor Product Overview

Model No. UW60AMXUB0001
 Serial No. 00000000000
 Voltage 200 – 240 Amps 10
 Circuit Breaker 15 Amps
 Hz 50 – 60 Wire 2/3 Phase S 3
 Max. Load 60 LB 27 KG Max. Speed 594 RPM
 Elec. Heating N/A Steam Press. N/A PSI 0.0 BAR

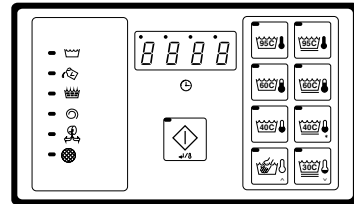
Drawings:
 ETL Listed
 Conforms To ANSI/UL Std. 1206, 3rd Ed
 Certified To CAN/CSA Std. C22.2 No.53-1968



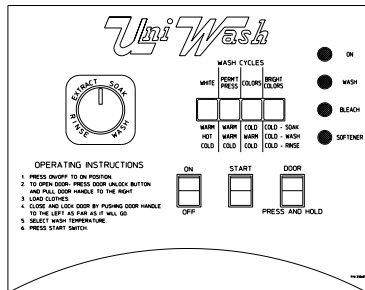
A-Control



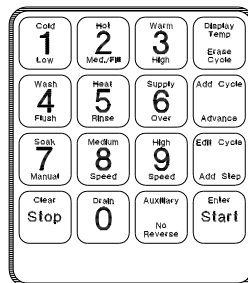
B-Control (Domestic)



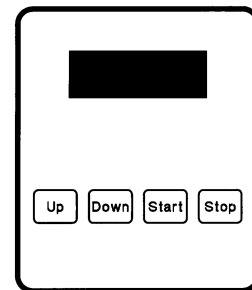
B-Control (International)



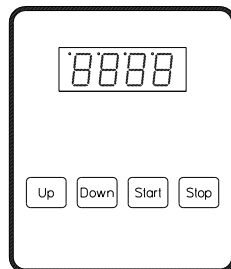
Mechanical Timer



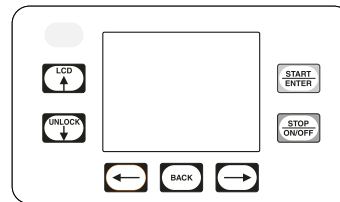
WE-6 Control



S-Computer



V-Computer



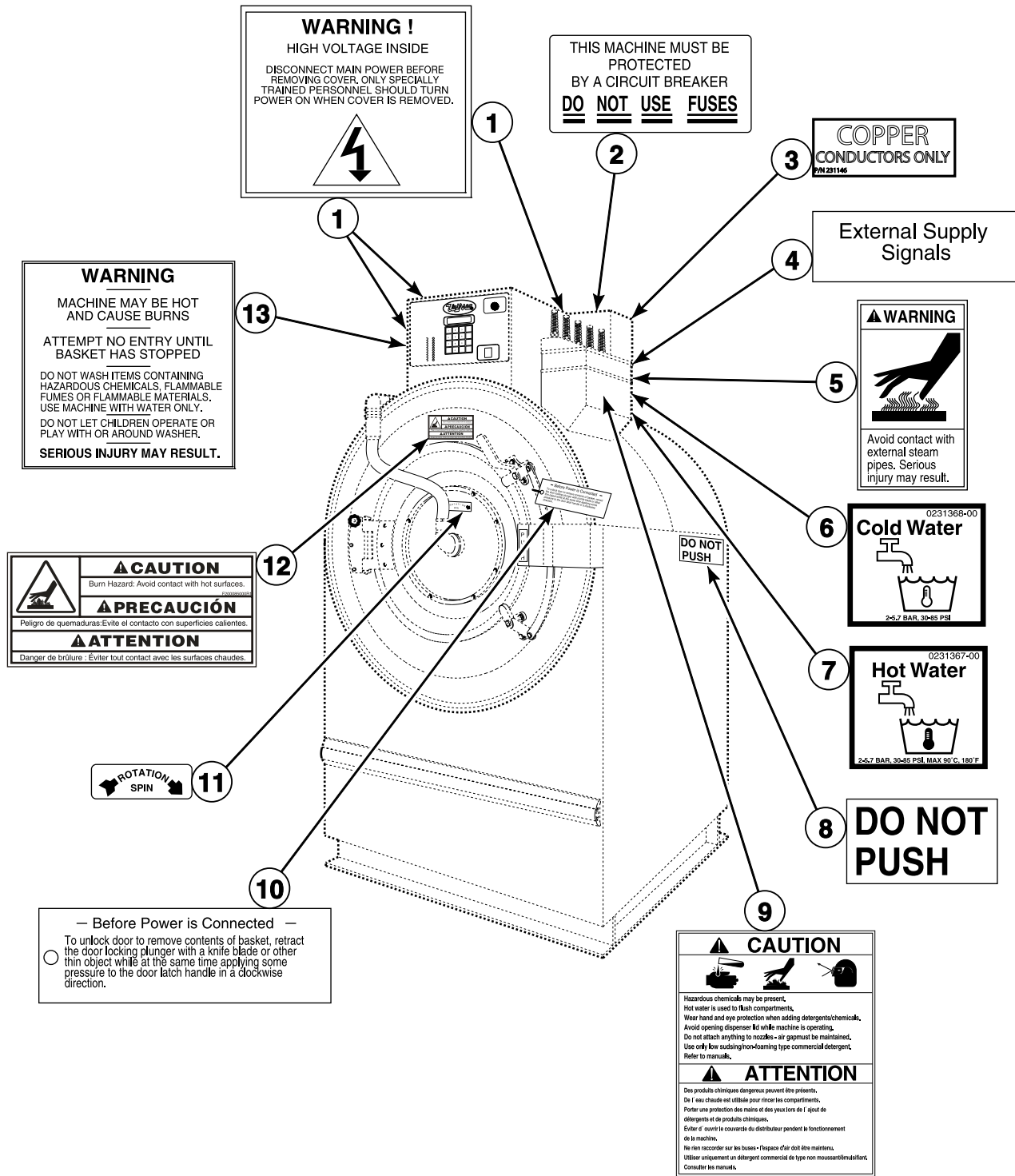
UniLinc Control

PHM2979P_F232121

Pocket Hardmount Washer-Extractor Product Overview

REF	PART NO.	DESCRIPTION	COMMENTS
1	-	Product Family	UW
2	-	Capacity (Pounds)	35 60 80 100 125 150
3	-	Control	A (A-Control) B (B-Control) M (Mechanical Timer) P (WE-6 Control) S (S-Computer) V (V-Computer) T (UniLinc Control)
4	-	Speed	2 (2-Speed) 3 (3-Speed) 4 (4-Speed) V (Variable-Speed)
5	-	Voltage	F (440-480/60/3/3) N (440-480/50-60/3/3) O (208-240/60/3/3) P (380-415/60-60/3/3) Q (200-208/220-240/50/60/3ph) R (380-415/440-480/50/60/3ph) X (200-220/220-240/50/60/1-3) Y (208-240/60/1/2)
6	-	OEM	U (Standard Specs)
7	-	Design Series	1-8

Decals

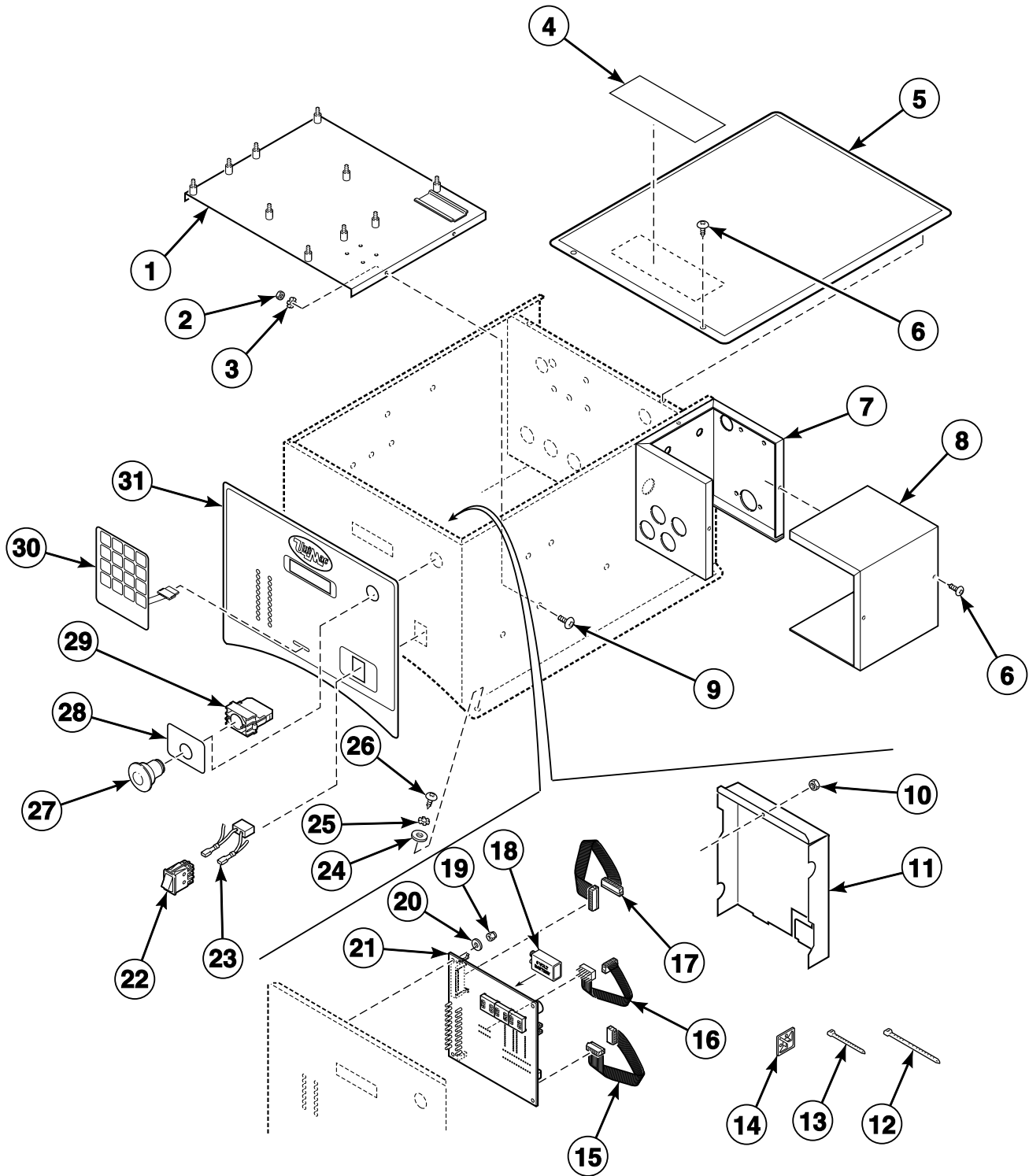


PHM2875P_F232121

Decals

REF	PART NO.	DESCRIPTION	COMMENTS
1	505281	Disconnect Power Warning Label	
2	F230301	This Machine Must Be Protected Decal	
3	F231146	Conductor Decal	
4	F230764-3	External Supply Connection Decal	Models UW80PV and UW100PV; N and P-voltage
	F230764-6	External Supply Connection Decal	Models UW80PV and UW100PV Q and T-voltage; Model UW100VV
5	F231380	Hot Surface Warning Decal	
6	F231368	Cold Water Valve Decal	
7	F231367	Hot Water Valve Decal	
8	F230302	Do Not Push Decal	
9	F231436	Supply Dispenser Hazard Caution Decal	
10	F230501	Before Power Is Connected Tag	
11	F230652	Clockwise Spin Rotation Decal	
12	F200085000	Hot Surface Warning Decal	
13	F231065	Personal Injury Warning Decal	

Control Module (Drawing 1 of 7) - Models UW80PV and UW100PV

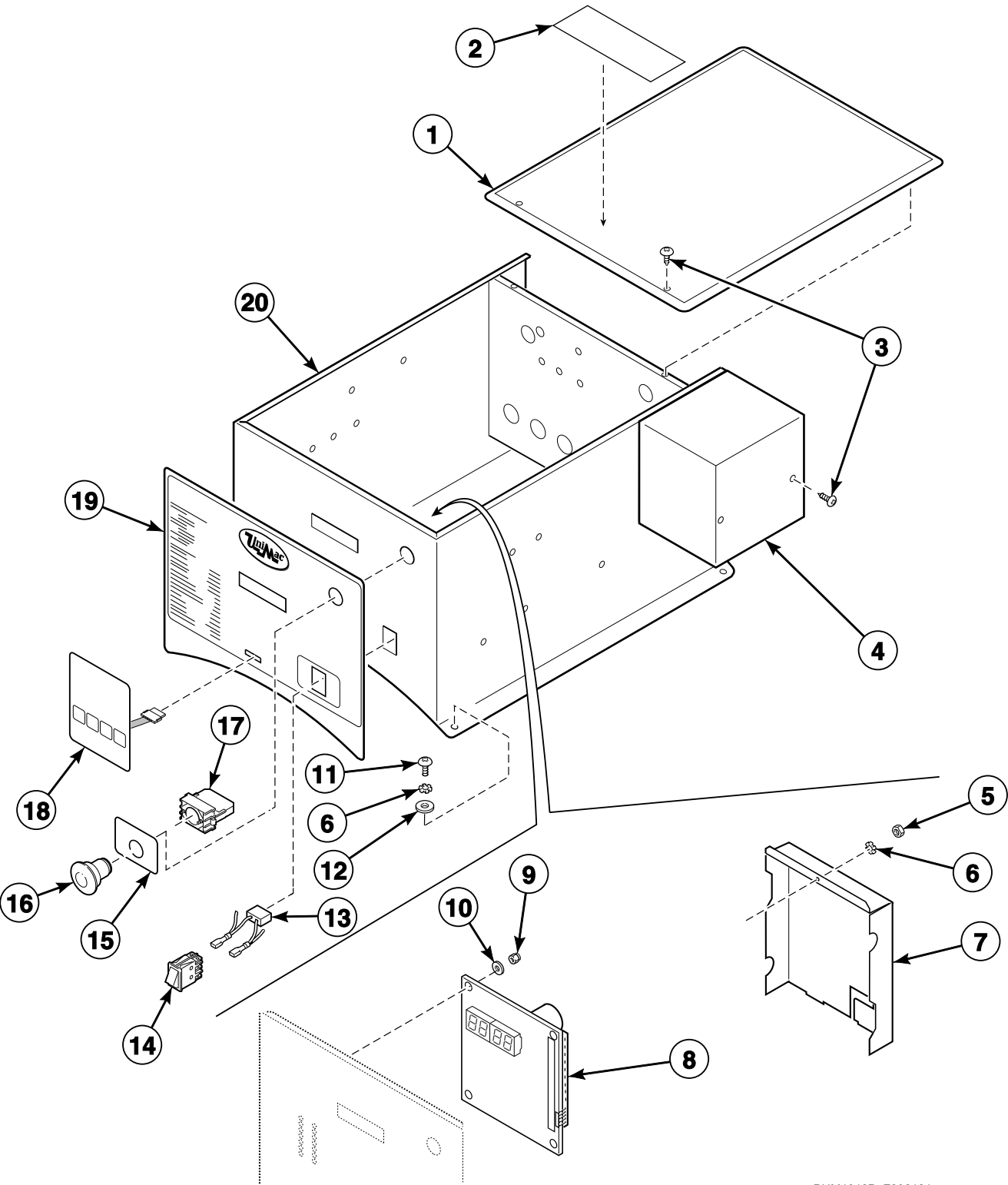


PHM1938P_F232121

Control Module (Drawing 1 of 7) - Models UW80PV and UW100PV

REF	PART NO.	DESCRIPTION	COMMENTS
1	F608385	Mounting Panel Assembly	
2	F431022	Nut	
3	F431113	Washer	
4	505281	Disconnect Power Warning Label	
5	F634558	Control Module Cover	
6	70240301	Screw	
7	F633434	External Supply Box	
8	F633435	External Supply Box Cover	
9	F430928	Screw	
10	F431000	Nut	
11	F606826	Computer Cover	
12	F140606	Cable Tie	15 inch
13	F140605	Cable Tie	6 inch
14	F140602	Tie Wrap Mounting Clamp	
15	F140218P	Ribbon Cable	16 conductor; 12 inch; From interface board to computer board
16	F140223P	Ribbon Cable	16 conductor; 8 inch; From computer board to interface board
17	F140219P	Ribbon Cable	26 conductor; 15 inch; From microcomputer board to fuse board
18	F191101	Battery	9 Volt; Backup
19	F430231	Nut	
20	F431125	Washer	
21	F037062441P	WE-6 Computer	Standard cycles
22	F340412	Momentary Switch	
23	F330217P	RC Network Filter	Includes 00454 Terminal and F141022 Connector
24	F431123	Washer	
25	F431108	Washer	
26	F8136401	Screw	
27	F200233700P	Emergency Stop Button Kit	
28	F231083	Emergency Stop Decal	
29	F340445	Contact Block Switch	Includes mounting base
	F200299500	Contact Block Switch	Does not include mounting base
30	F230724P	Keypad Decal	
31	F230721	Control Module Decal	

Control Module (Drawing 2 of 7) - Model UW100VV



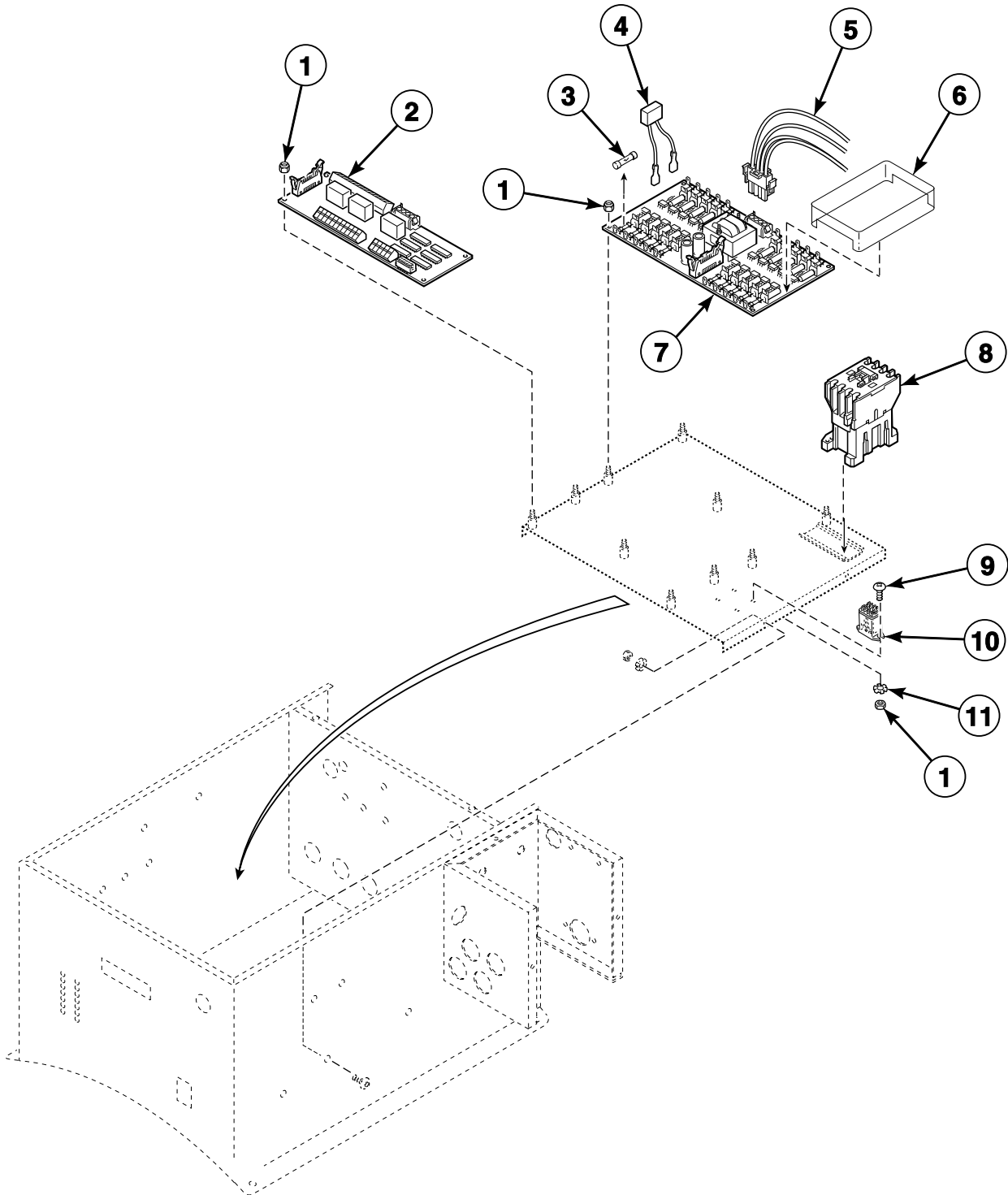
PHM1012P_F232121

Control Module (Drawing 2 of 7) - Model UW100VV

REF	PART NO.	DESCRIPTION	COMMENTS
1	F634558	Control Module Cover	
2	505281	Disconnect Power Warning Label	
3	70240301	Screw	
4	F633435	External Supply Box Cover	
5	F431000	Nut	
6	F431108	Washer	
7	F606826	Computer Cover	
8	F370313-10P	V-Series Microcomputer Board Kit	
9	F430231	Nut	
10	F431125	Washer	
11	F8136401	Screw	
12	F431123	Washer	
13	F330217P	RC Network Filter	Includes F140627 Connector and F141022 Connector
14	F340412	Momentary Switch	
15	F231083	Emergency Stop Decal	
16	N/A	Emergency Stop Pushbutton	800E-series
	F200233700P	Emergency Stop Button Kit	Used to convert from 800E-series to 800F-series; Includes F200233500 Emergency Stop Pushbutton and F200233401 Contact Block Switch
	F200233500	Emergency Stop Pushbutton	800F-series
17	F340445	Contact Block Switch	800E-series; Includes mounting base
	F200299500	Contact Block Switch	800E-series; Does not include mounting base
	F8069501	Contact Switch	
	F8538101	Contact Base	
	F200233401	Contact Block Switch	800F-series; Includes F8069501 Contact Switch and F8538101 Contact Base
18	F370576P	Keypad	
19	F231417	Control Module Decal	
20	FUW100VV-MDL	Control Module Sub-Assembly	

N/A = Part no longer available

Control Module (Drawing 3 of 7) - Models UW80PV and UW100PV



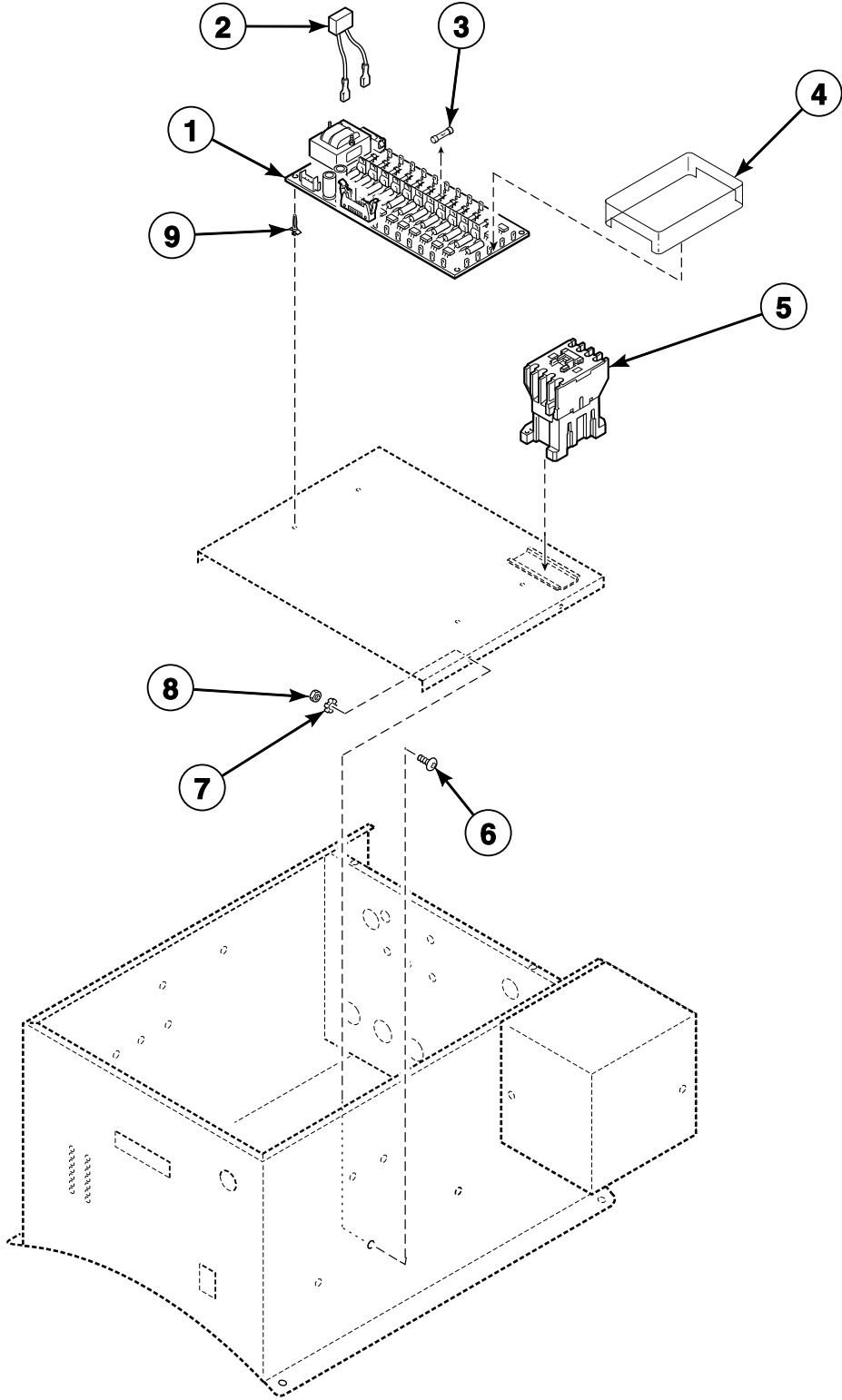
PHM2183P_F232121

Control Module (Drawing 3 of 7) - Models UW80PV and UW100PV

REF	PART NO.	DESCRIPTION	COMMENTS
1	F430231	Nut	
2	F0370446-21P	WE-6 Interface CCA Kit	Harness connection
	F370446-1P	WE-6 Interface CCA Kit	Screw terminal
3	F350109	Fuse	.5 Amp; Fast blo
	F350110	Fuse	1 Amp; Slo blo
	F350108	Fuse	.125 Amp; Slo blo
4	F330217P	RC Network Filter	Includes 00454 Terminal and F141022 Connector
5	F784003P	Jumper Kit	
6	N/A	Dust Cover	
7	F0370444-10P	Output CCA	120 Volt
	F8321901P	Output CCA	220 Volt
8	F330187P	Contacto	120 Volt
	F330188P	Contacto	220 Volt
9	F430928	Screw	
10	F330227	Flange Relay	120 Volt
	F330230	Flange Relay	220 Volt
11	F431113	Washer	

N/A = Part no longer available

Control Module (Drawing 4 of 7) - Model UW100VV



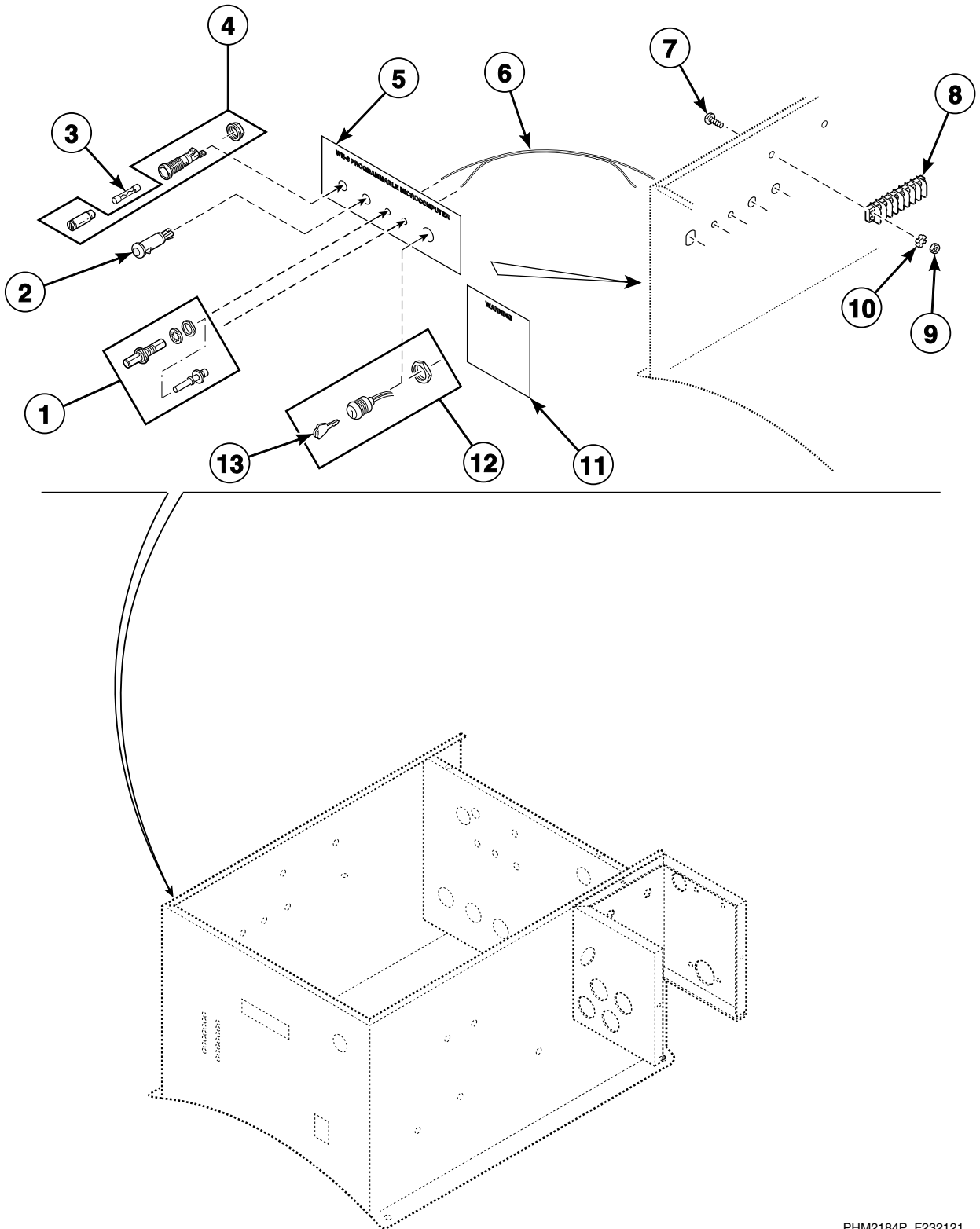
PHM2376P_F232121

Control Module (Drawing 4 of 7) - Model UW100VV

REF	PART NO.	DESCRIPTION	COMMENTS
1	F8206501P	Output Board VCMP Assembly	
2	F330217P	RC Network Filter	Includes F140627 Connector and F141022 Connector
3	F350108	Fuse	1/8 Amp; Slo blo
	F350109	Fuse	1/2 Amp; Fast blo
	F350110	Fuse	1 Amp; Slo blo
4	N/A	Dust Cover	
5	F330178P	Contacto	
6	F430928	Screw	
7	F431113	Washer	
8	F431022	Nut	
9	F180506	Standoff	

N/A = Part no longer available

Control Module (Drawing 5 of 7)



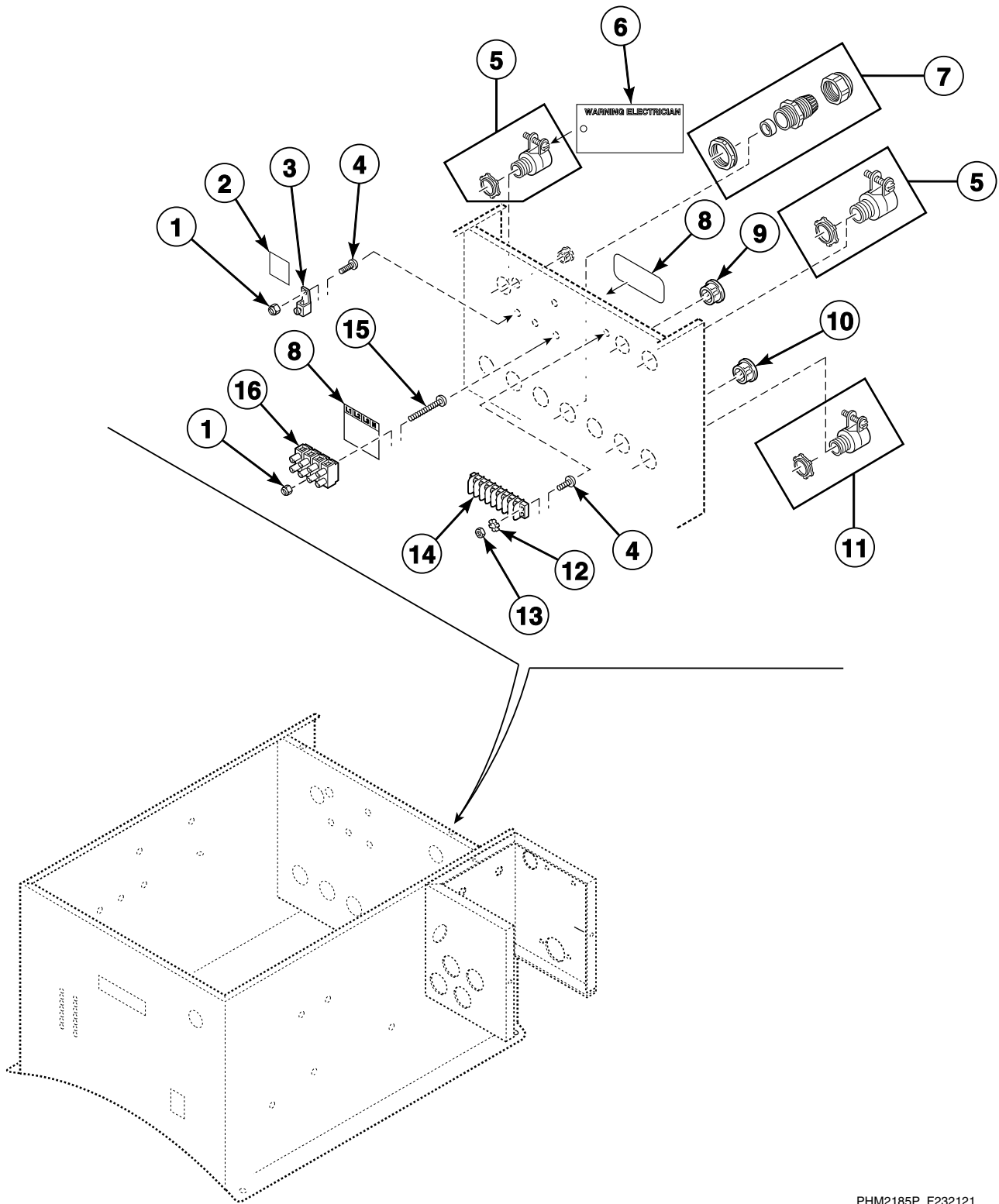
PHM2184P_F232121

Control Module (Drawing 5 of 7)

REF	PART NO.	DESCRIPTION	COMMENTS
1	F140575P	Connector	Models UW80PV and UW100PV; Gray
	F140576P	Connector	Models UW80PV and UW100PV; Blue
2	F350412	Light	120 Volt; Red
	F350414	Light	220 Volt; Red
3	F350115	Fuse	Models UW80PV and UW100PV; 3 Amp; 2 required; Used only on some models
4	F350304P	Fuse Holder	Models UW80PV and UW100PV; Used only on some models
	F350211	Circuit Breaker	Models UW80PV and UW100PV; 3 Amp; Used in place of items 3 and 4 on some models
	F350210	Circuit Breaker	Model UW100VV; 2 Amp
5	N/A	Switch Mode Decal	Models UW80PV and UW100PV
	N/A	Thermal Overload Decal	Model UW100VV
6	F604713	Cable Assembly	Models UW80PV and UW100PV; 15 inch
7	F430928	Screw	Models UW80PV and UW100PV
	F430916	Screw	Model UW100VV
8	F140738	Terminal Strip	
9	F430231	Nut	Models UW80PV and UW100PV
	F431022	Nut	Model UW100VV
10	M400014	Washer	Models UW80PV and UW100PV
	F431113	Washer	Model UW100VV
11	F231065	Personal Injury Warning Decal	Models UW80PV and UW100PV
12	F340800P	Keymode Run/Program Switch	Models UW80PV and UW100PV
13	F370709	Program Key	Models UW80PV and UW100PV; Key code A153

N/A = Part no longer available

Control Module (Drawing 6 of 7)



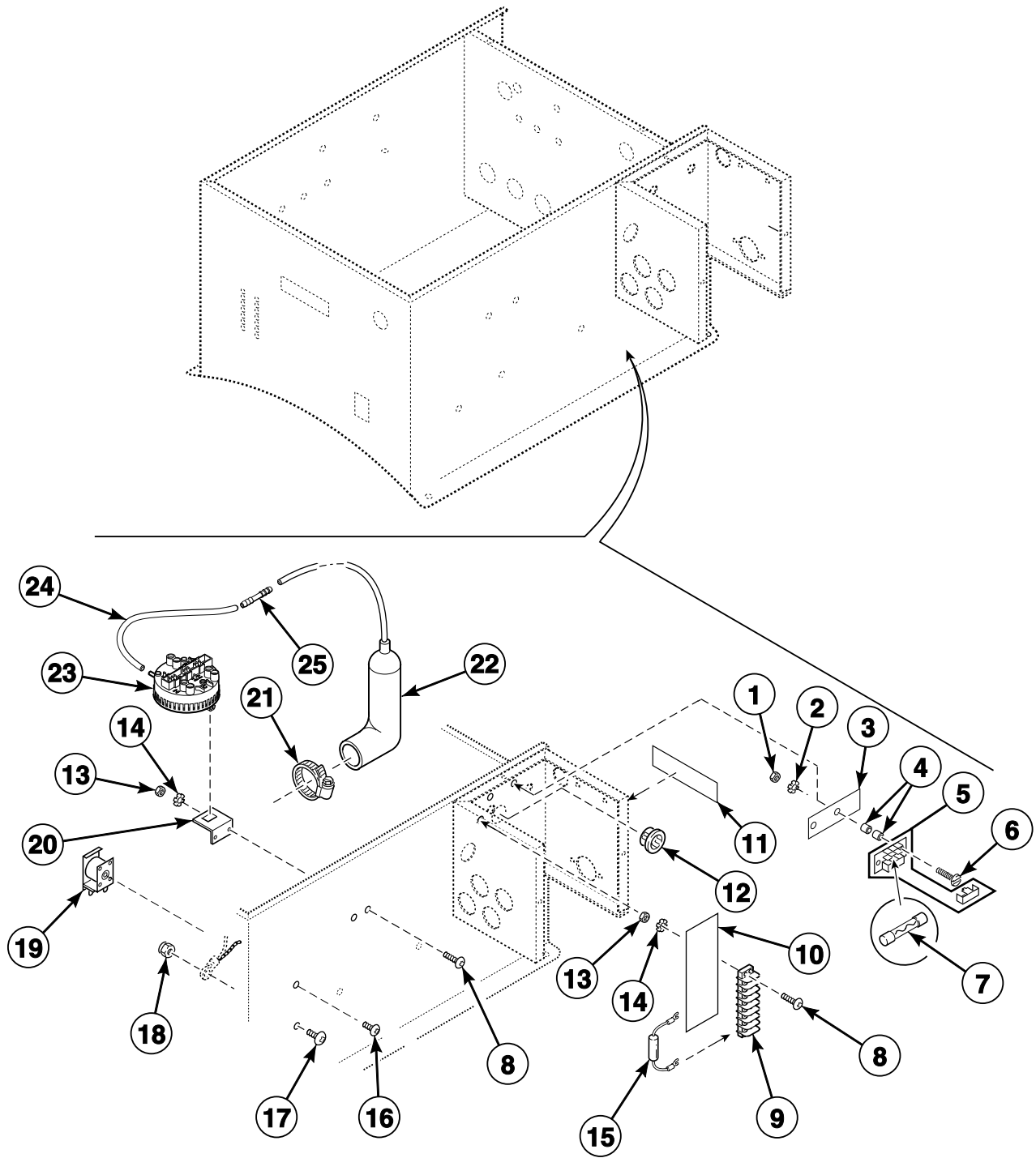
PHM2185P_F232121

Control Module (Drawing 6 of 7)

REF	PART NO.	DESCRIPTION	COMMENTS
1	F431022	Nut	
2	F230630	Ground Decal	
3	F140734	Ground Terminal Lug	
4	F430928	Screw	
5	F140305	Connector	1/2 inch; Includes nut
6	N/A	Electric Warning Decal	
7	F140309	Connector	Models UW80PV and UW100PV
	F140329	Strain Relief Connector	Model UW100VV
8	F230677	Input Power Connector Decal	
9	F140527	Plug	
10	F140909	Insulator Bushing	
11	F140311	Squeeze Connector	3/4 inch; Includes nut
12	F431108	Washer	
13	F431006	Nut	
14	F140738	Terminal Strip	
15	F430938	Screw	
16	F140782	Terminal Block	Models UW80PV and UW100PV
	F140747	Input Power Block	Model UW100VV

N/A = Part no longer available

Control Module (Drawing 7 of 7)

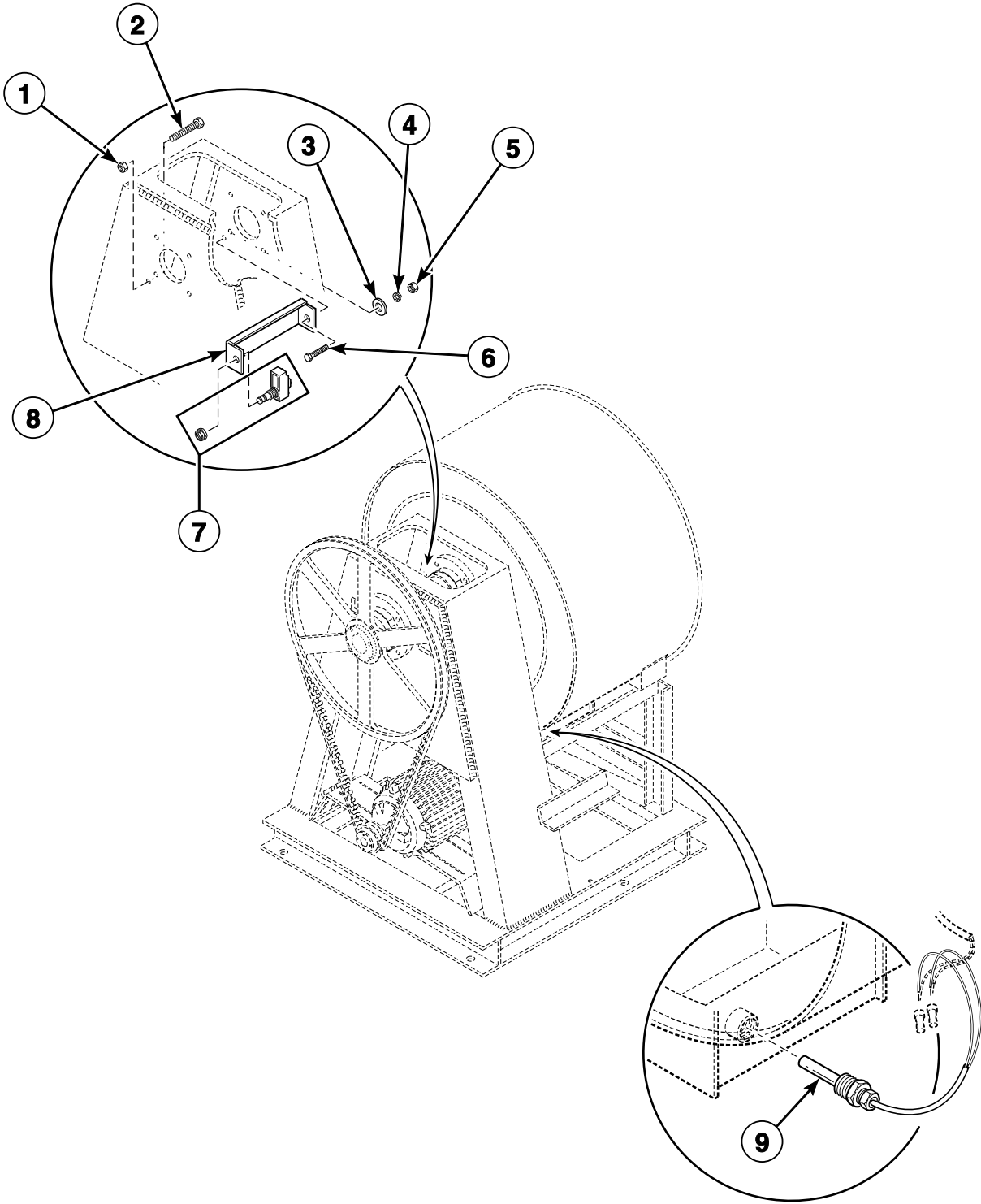


PHM2207P_F232121

Control Module (Drawing 7 of 7)

REF	PART NO.	DESCRIPTION	COMMENTS
1	F431800	Nut	
2	F431113	Washer	
3	F231271	External Supply Fuse Decal	
4	F431911	Spacer	
5	F0350312-10	Fuse Holder	
6	F430910	Screw	
7	F350115	Fuse	3 Amp; Fast blo
8	F430928	Screw	
9	F140738	Terminal Strip	Models UW80PV and UW100PV
	F140776	Terminal Block	Model UW100VV
10	F230764-6	External Supply Connection Decal	Models UW80PV and UW100PV; Q and T-voltage
	F230764-3	External Supply Connection Decal	Models UW80PV and UW100PV; N and P-voltage
11	F230606	External Supply Control Decal	
12	F140909	Insulator Bushing	
13	F431022	Nut	
14	F431113	Washer	
15	F610765P	Resistor Assembly	Models UW80PV and UW100PV
	F370117	Resistor	Model UW100VV
16	F430916	Screw	Models UW80PV and UW100PV
17	F430920	Screw	
18	F431017	Nut	
19	F300203P	Buzzer	Models UW80PV and UW100PV; 120 Volt
	F300206	Buzzer	Models UW80PV and UW100PV; 220 Volt
20	F630242	Water Level Switch Bracket	
21	F200215	Hose Clamp	Models UW80PV and UW100PV; No. 28
	F200222	Hose Clamp	Model UW100VV; No. 12
22	F200163	Air Trap Hose	
23	F0340346-10P	Water Level Switch	
24	F422404P	Tubing	
25	F422500	Connector	

Balance Switch and Temperature Probe

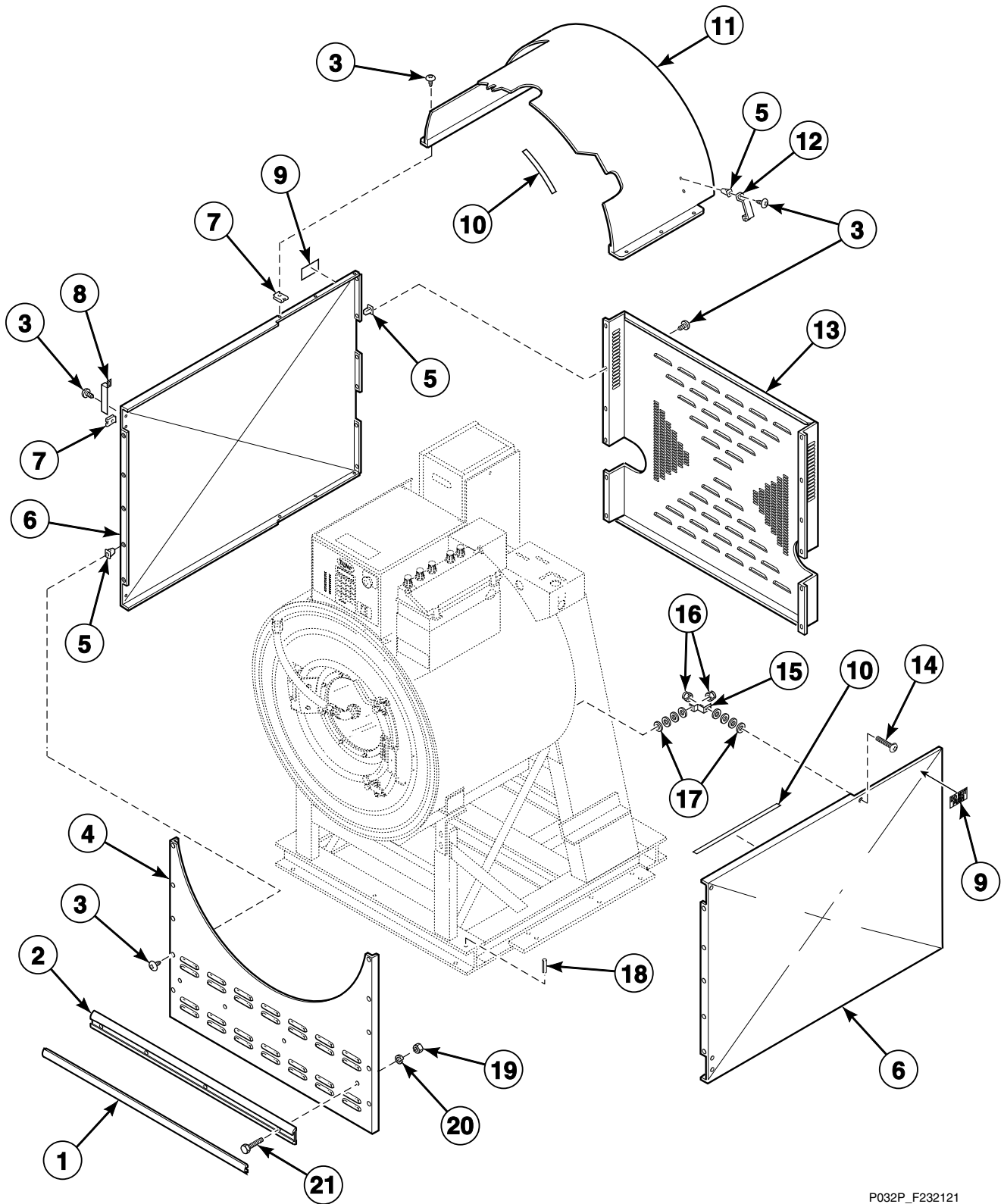


PHM1925P_F232121

Balance Switch and Temperature Probe

REF	PART NO.	DESCRIPTION	COMMENTS
1	H88412101	Nut	
2	F0430539-00	Bolt	
3	F430205	Nut	
4	M400014	Washer	
5	M400081	Washer	
6	800461	Screw	
7	F340900	Interlock Switch	
	F340921	Switch	CE models; Sealed version
	F340924	Switch Extension	CE models; Use with F340921 Switch
8	F601750	Balance Switch Bracket	
9	F370606P	Temperature Probe	

Front, Rear and Side Panels



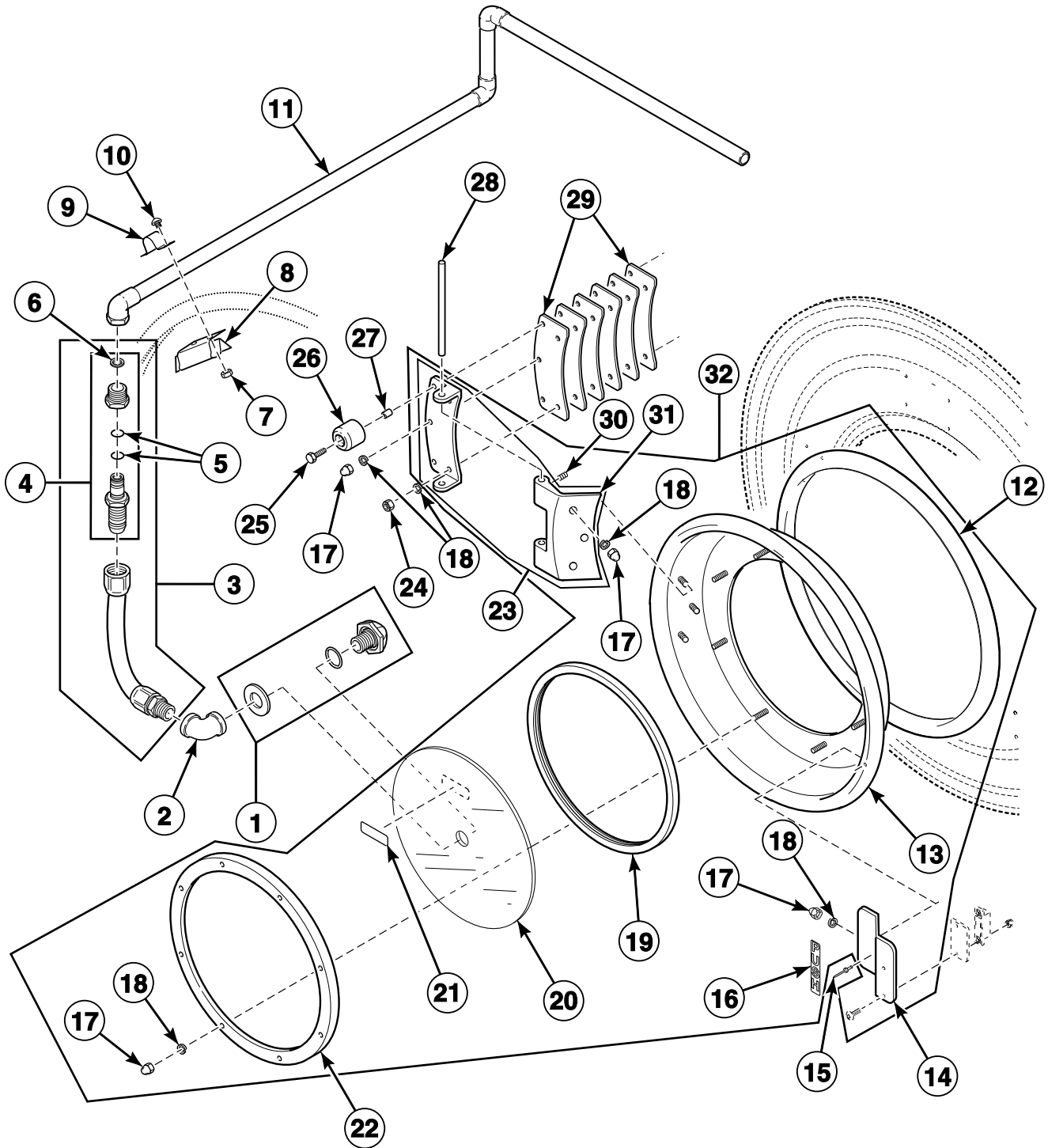
P032P_F232121

Front, Rear and Side Panels

REF	PART NO.	DESCRIPTION	COMMENTS
1	F150397	Extrusion Insert	Order 4 feet
2	F150409	Rub Rail	
3	F430956	Screw	
4	N/A	Front Panel	
5	F0431807-00	Nut	Plastic insert
6	F632404P	Side Panel	Model UW80PV
	F632390	Side Panel	Models UW100PV and UW100VV
7	F430264	Nut	Tinnerman
8	F607262	Side Panel Cover	
9	F230302	Do Not Push Decal	
10	F170400RP	Trim	
11	F632408	Cage Wrap Assembly	Model UW80PV
	F633394	Cage Wrap Assembly	Models UW100PV and UW100VV
12	F605324	Hose Strap	
13	F633184P	Rear Panel	
14	F430921	Screw	
15	F601982	Side Panel Bracket	
16	F430215	Nut	
17	F430317	Washer	
18	F430415	Pin	
19	F430211	Nut	
20	F431100	Washer	
21	F430921	Screw	

N/A = Part no longer available

Door and Spray Tube Assembly

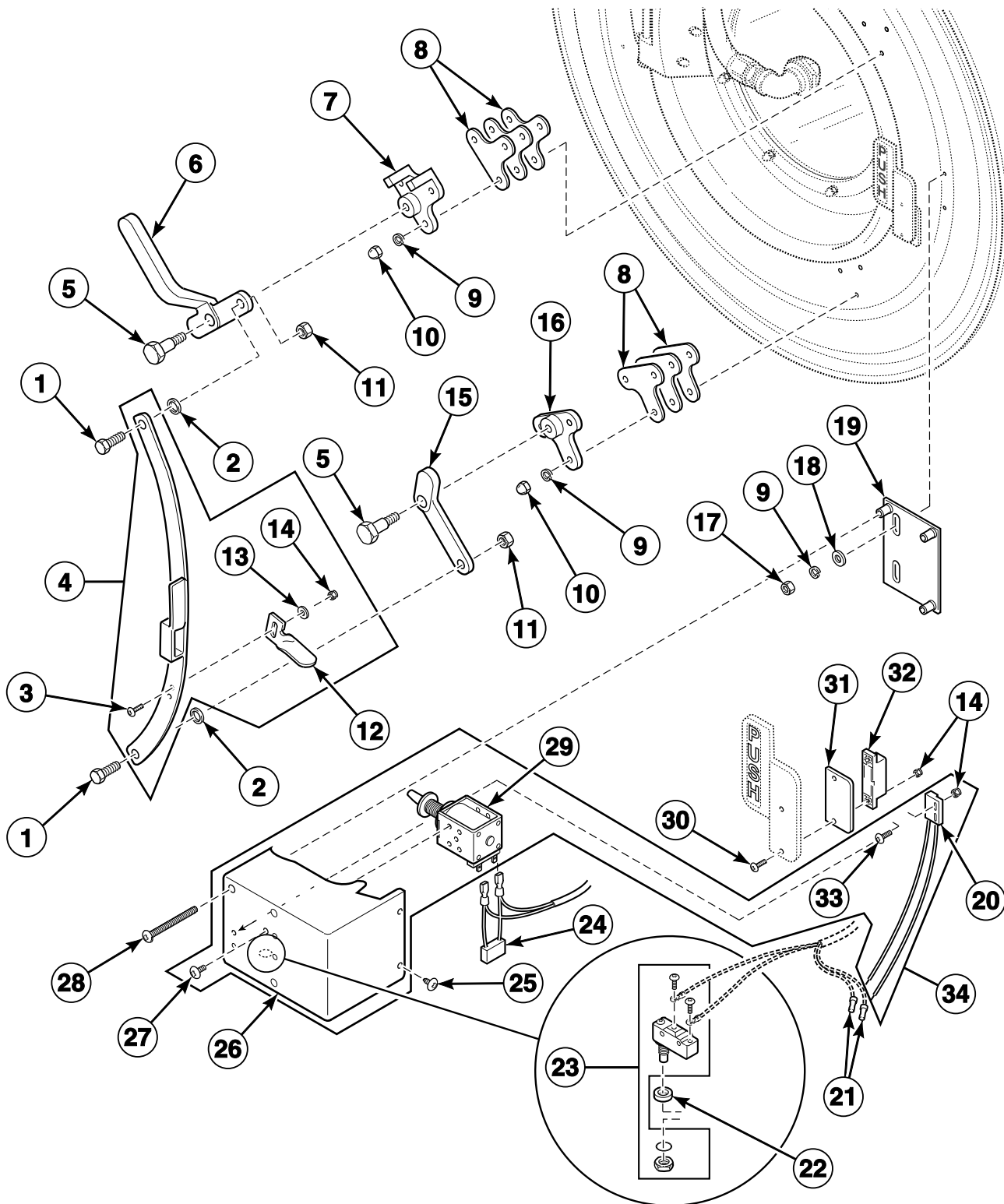


PHM2876P_F232121

Door and Spray Tube Assembly

REF	PART NO.	DESCRIPTION	COMMENTS
1	F730077	Spray Rinse Nozzle Kit	Models UW80PV and UW100PV
2	F422319	Elbow	Models UW80PV and UW100PV
3	F730024	Spray Rinse Hose Kit	Models UW80PV and UW100PV; Includes items 4-6
4	F422108	Swivel Coupling	Models UW80PV and UW100PV
5	F170200	O-Ring	Models UW80PV and UW100PV
6	F310206	Ring Retainer	Models UW80PV and UW100PV
7	F431022	Nut	Models UW80PV and UW100PV
8	F602901P	Spray Rinse Bracket Assembly	Models UW80PV and UW100PV; Includes items 7 and 10
9	F602880	Spray Rinse Strap	Models UW80PV and UW100PV
10	F430917	Screw	Models UW80PV and UW100PV
11	F603696-5	Spray Rinse Tube Assembly	Models UW80PV and UW100PV
12	F170145	Door Gasket	Black
	F017014501	Door Gasket	Gray
13	F730307	Door Kit	Studded
14	F746202-1	Push Handle Kit	Includes item 16
15	F431210	Pop Rivet	
16	F230303	Push Decal	
17	F8549401	Nut	
18	F431100	Washer	
19	F170117	Door Glass Gasket	
20	F290200P	Door Glass Kit	Models UW80PV and UW100PV; With hole
	F290201P	Glass	Model UW100VV; No hole
21	F230652	Clockwise Spin Rotation Decal	
22	F601239	Door Glass Retainer	
23	F200030600P	Door Hinge Strap Kit	
24	F431005	Nut	
25	F430103	Screw	
26	F150366	Door Bumper Moulding	
27	F430416	Door Bumper Bushing	
28	F601815	Door Hinge Pin	
29	F0610695-00	Door Butt Shim	
30	F430502	Screw	
31	F200030600	Door Hinge Strap	
32	F730540	Door Kit	Models UW80PV and UW100PV; Includes items 12-14, 16-23, 30, F410102 Clear Sealant, F340703 Magnet, F430232 Nut and F430909 Screw
	F200119601	Door Assembly	Includes items 12, 17-20, 22, 23, 29, magnetic position magnet, push handle assembly, F430231 Nut, F430916 Screw and F431917 Washer

Door Lock

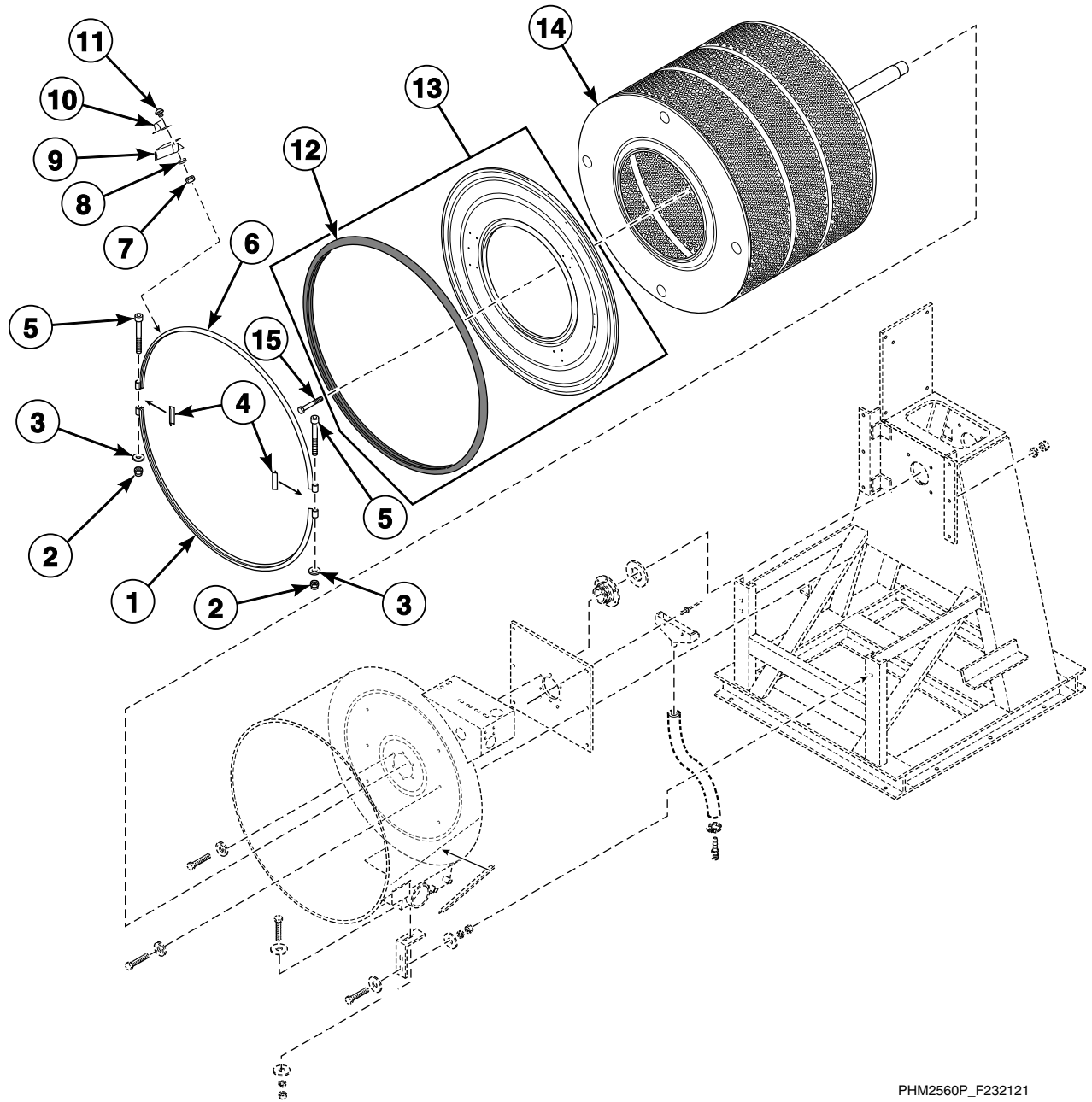


U060P_F232121

Door Lock

REF	PART NO.	DESCRIPTION	COMMENTS
1	F430927	Screw	
2	F431118	Washer	
3	F430916	Screw	
4	F8062001	Extension Arm Assembly	Includes items 3 and 12-14
5	F430168	Screw	
6	F150203	Door Handle Casting	
7	F150201P	Top Latch Bracket Casting	
8	F602058	Door Latch Bracket Shim	
9	F431100	Washer	
10	F8549401	Nut	
11	F431002	Nut	
12	F601639	Extension Arm Tab	
13	F431108	Washer	
14	F430231	Nut	
15	F150204	Lower Door Latch Casting	
16	F150202	Lower Door Latch Bracket Casting	
17	F431005	Nut	
18	F431147	Washer	
19	F746806	Door Box Mounting Plate Kit	
20	F200321200	Magnetic Switch Assembly	
21	F140712	Connector	
22	F431142	Washer	
23	F340906	Microswitch	CE models
	F340900	Interlock Switch	All other models
24	F330217P	RC Network Filter	Includes 00454 Terminal and F141022 Connector
25	F430917	Screw	
26	F607202	Door Box	
27	F430928	Screw	
28	F430996	Screw	
29	F300118P	Door Lock Solenoid	120 Volt
	F300129P	Door Lock Solenoid	220 Volt
30	F430909	Screw	
31	F609822	Handle Spacer	
32	F8390801	Magnet	
33	F430995	Screw	
34	F604888	Door Box Assembly	120 Volt; Includes items 14, 20, 26, 27, 29 and 33
	F604888-1	Door Box Assembly	220 Volt; Includes items 14, 20, 26, 27, 29 and 33

Basket, Shell and Frame (Drawing 1 of 2)



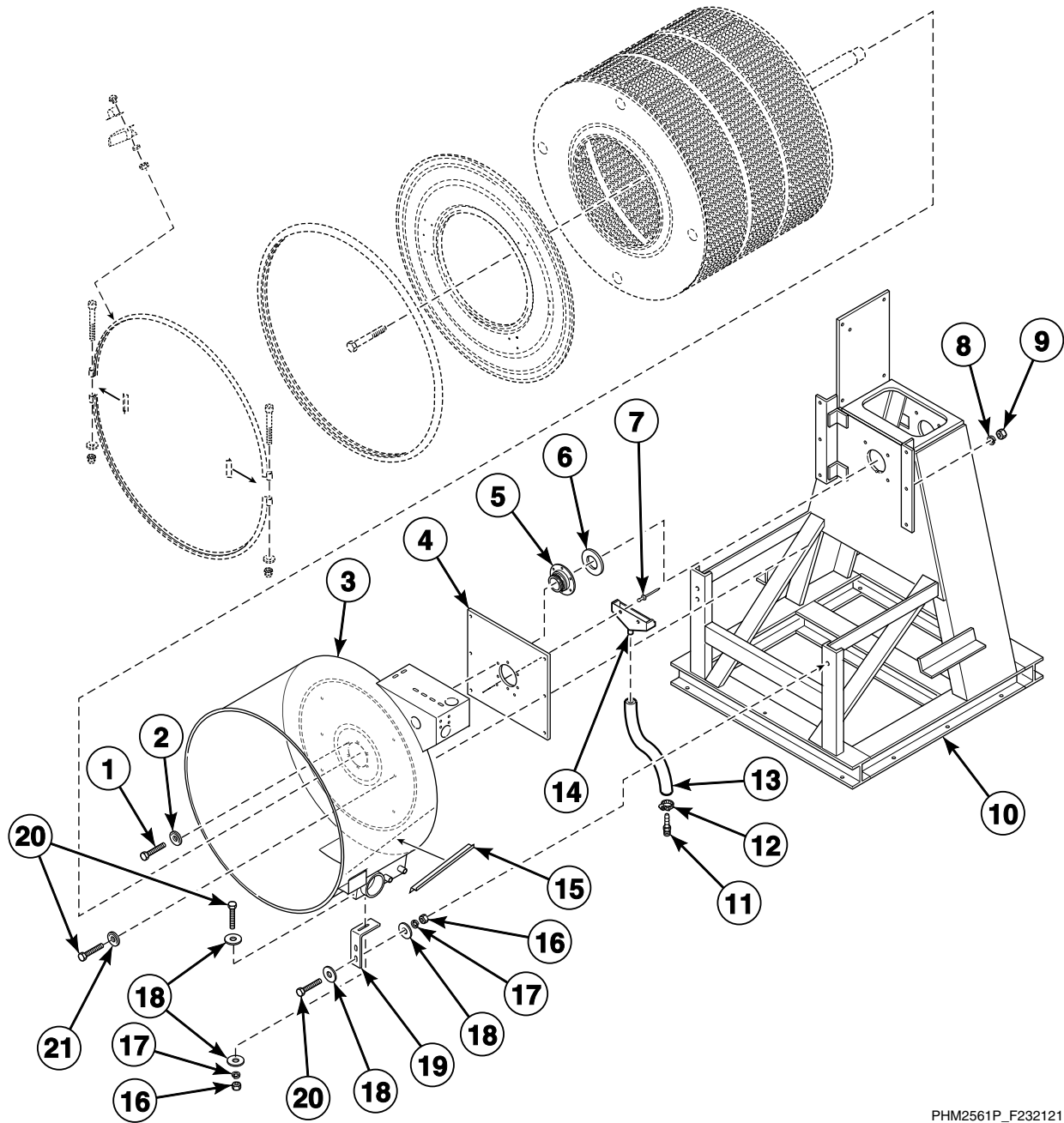
PHM2560P_F232121

Basket, Shell and Frame (Drawing 1 of 2)

REF	PART NO.	DESCRIPTION	COMMENTS
1	F603911	Shell Band Assembly	Bottom
2	F430211	Nut	
3	F430317	Washer	
4	F601216	Shell Gasket Shield	
5	F430500	Screw	
6	F603910	Shell Band Assembly	Top
7	F431022	Nut	Models UW80PV and UW100PV
8	F431113	Washer	Models UW80PV and UW100PV
9	F602901P	Spray Rinse Bracket Assembly	Models UW80PV and UW100PV; Includes items 7 and 11
10	F602880	Spray Rinse Strap	Models UW80PV and UW100PV
11	F430917	Screw	Models UW80PV and UW100PV
12	F170120RP	Shell Band Gasket	
13	F8011301P	Shell Front Kit	Includes item 12, F230218 Attempt No Entry Warning Plate and F431210 Pop Rivet
14	F632403	Basket Assembly	Model UW80PV
	F630764	Basket Assembly	Models UW100PV and UW100VV
15	N/A	Screw	

N/A = Part no longer available

Basket, Shell and Frame (Drawing 2 of 2)

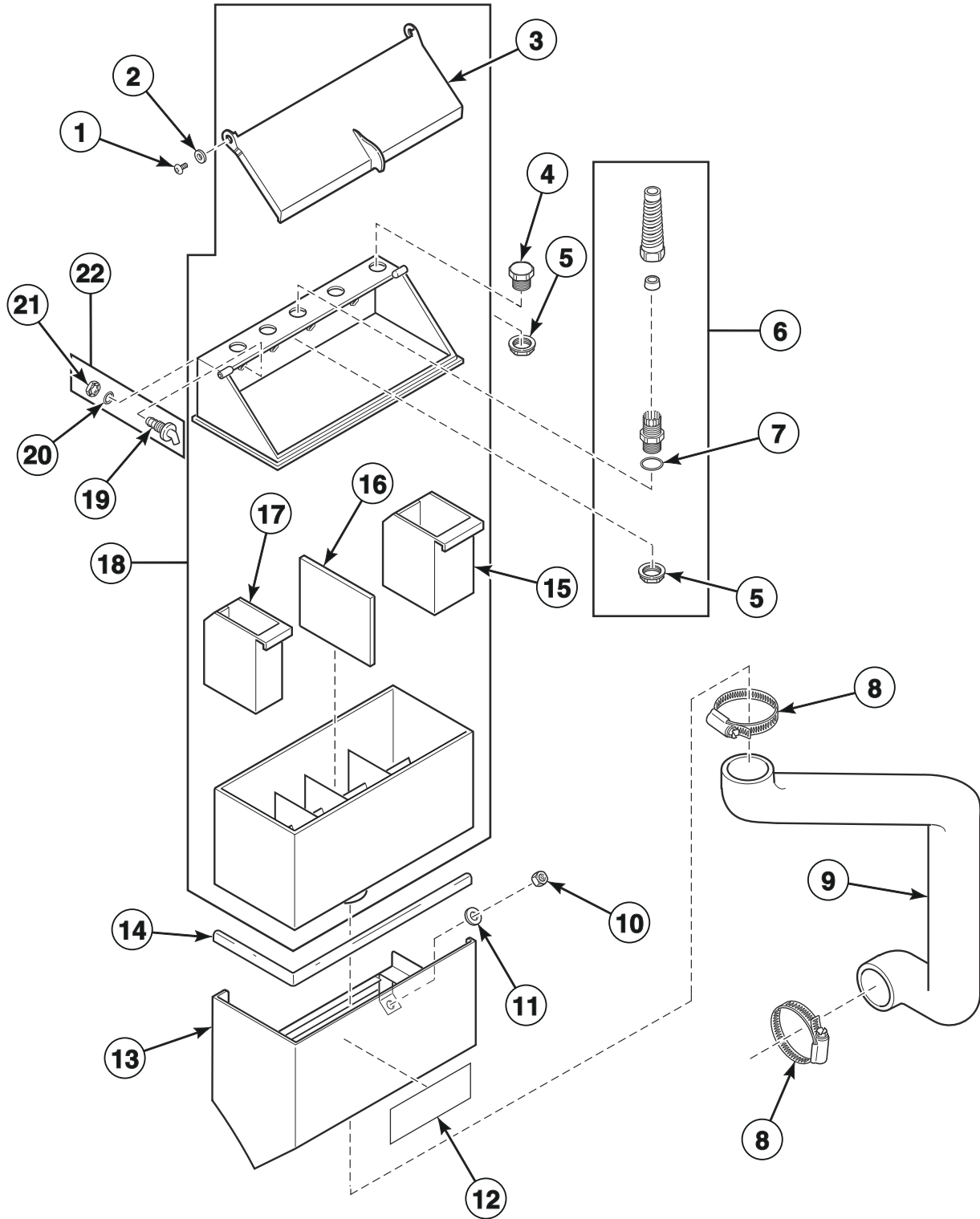


PHM2561P_F232121

Basket, Shell and Frame (Drawing 2 of 2)

REF	PART NO.	DESCRIPTION	COMMENTS
1	F430935	Screw	
2	F431112	Washer	
3	F634471	Shell Assembly	Model UW80PV; 4 1/2 inch sump; Standard
	F634471-1	Shell Assembly	Model UW80PV; 4 1/2 inch sump; Starch
	F632397-1	Shell Assembly	Model UW80PV; 10 1/2 inch sump; Electric heat
	F632397-3	Shell Assembly	Model UW80PV; 10 1/2 inch sump; Electric heat with starch
	F634495	Shell Weldment	Model UW100PV; 4 1/2 inch sump; Standard
	F634495-1	Shell Weldment	Model UW100PV; 4 1/2 inch sump; Starch
	F630760-1	Shell Weldment	Model UW100PV; 10 1/2 inch sump; Electric heat
	F634485	Shell Weldment	Model UW100VV
4	F8084201	Shell Reinforcement Plate Assembly	Includes F410102 Clear Sealant and items 12 and 13
5	F8162001	Face Seal	Standard
	F798827-00	Seal Kit	Includes items 2, 5-7, F410102 Clear Sealant, F430211 Nut, F430317 Washer, F430935 Screw, F170120 Shell Band Gasket and F430500 Screw; Standard seal
	F8161901	Face Seal	Viton
6	F100204	Slinger	
7	F431210	Pop Rivet	
8	M400013	Washer	
9	70142	Nut	
10	F632394	Frame Assembly	Model UW80PV
	F630821	Frame Assembly	Models UW100PV and UW100VV
11	F421929	Hose Barb	
12	36801	Hose Clamp	No. 6
13	F200107P	Water Hose	
14	F150389	Scupper	
15	F150364	Drip Rail	
16	F430205	Nut	
17	M400014	Washer	
18	M400081	Washer	
19	F601806	Shell Mounting Bracket	
20	F430924	Screw	
21	F431116	Washer	

Supply Dispenser

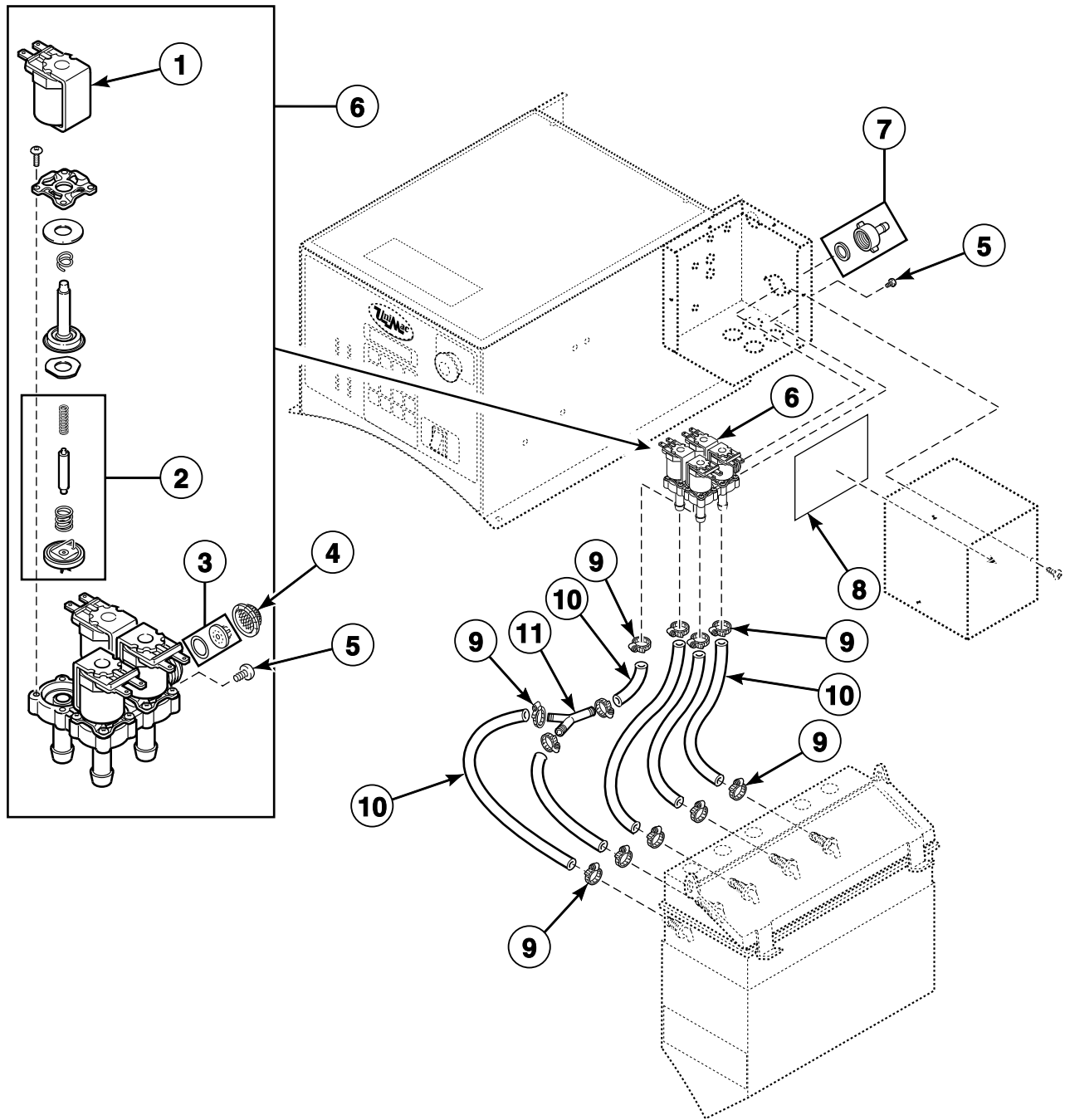


PHM3249P_F232121

Supply Dispenser

REF	PART NO.	DESCRIPTION	COMMENTS
1	F430917	Screw	
2	F8195301	Washer	
3	F0150514-00	Dispenser Lid	
4	F190304	Plug Cap	
5	F140340P	Strain Relief Connector	Includes F0431160-00 Nut
6	F749802	Strain Relief Adapter Kit	Includes items 5 and 7
7	F170215	O-Ring	
8	F200213	Hose Clamp	No. 40
9	F150471	Chemical Supply Hose	Model UW80PV
	F0150470-00	Chemical Supply Hose	Models UW100PV and UW100VV
10	F431042	Nut	Loctite 262 required for installation
11	F431147	Washer	
12	F231436	Supply Dispenser Hazard Caution Decal	
13	F8024301	Soap Dispenser Shroud Weldment	
14	F170400RP	Trim	
15	F150386	Chemical Supply Cup	32 ounce; 2 required
16	F0150525-00	Supply Dispenser Spacer	
17	F150385	Chemical Supply Cup	20 ounce; 3 required
18	F0150512-00P	Dispenser Assembly	Includes items 3 and 15-17
19	F8322001	Injection Nozzle	
20	F170208	O-Ring	
21	802292	Nut	
22	F730168	Injection Nozzle Kit	Includes items 19-21

Water Supply Valve and Hoses to Supply Dispenser - Mueller Valve



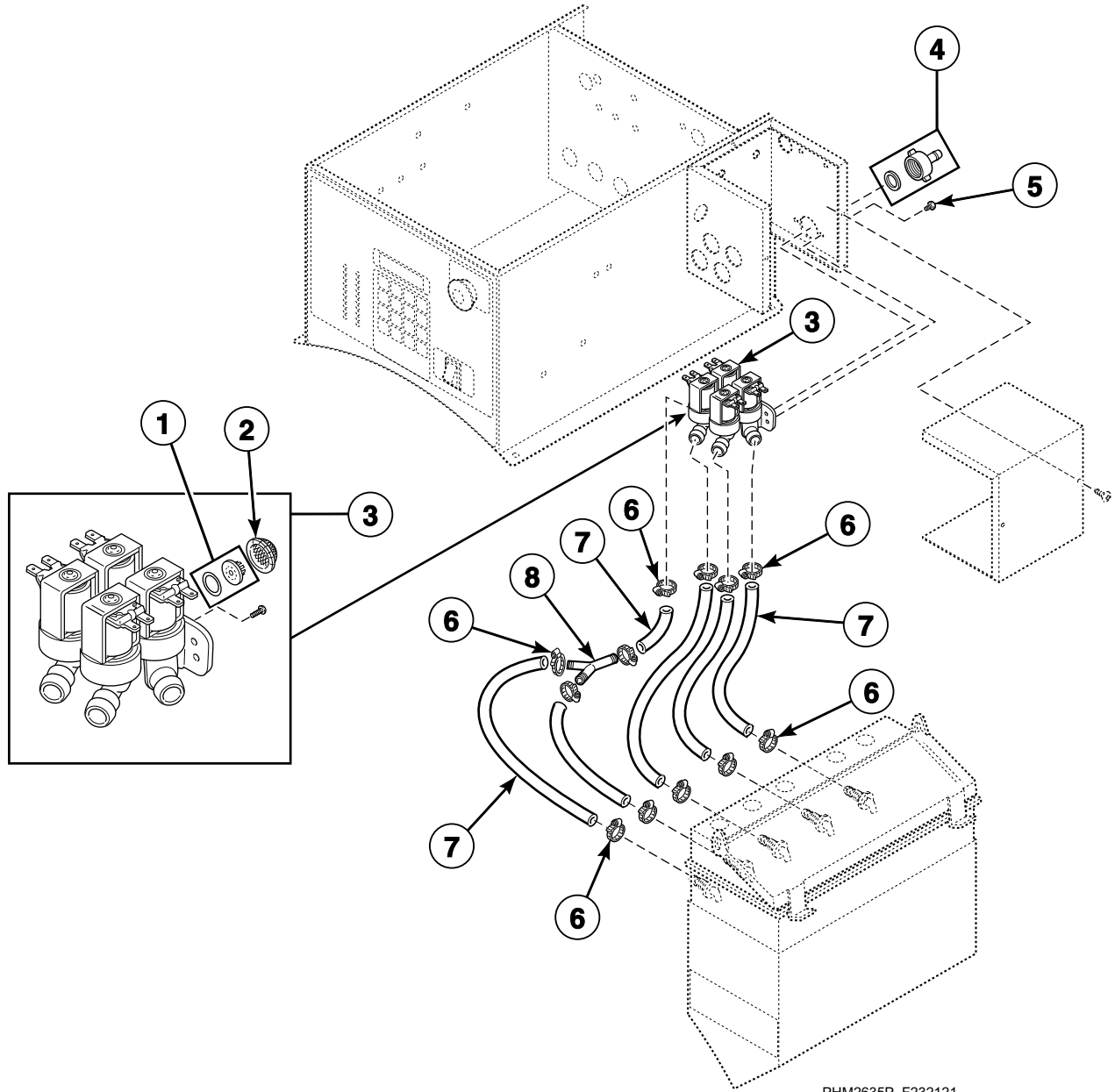
PHM2232P_F232121

Water Supply Valve and Hoses to Supply Dispenser - Mueller Valve

REF	PART NO.	DESCRIPTION	COMMENTS
1	F380900	Coil	120 Volt
	F380917	Coil	220 Volt
2	F380938	Valve Repair Kit	10 mm
3	N/A	Flow Restrictor	8 liter
4	F270200	Strainer	
5	F430948	Screw	
6	F380715P	4-Way Valve	120 Volt
	F380725P	4-Way Valve	220 Volt
7	F200302	Hose Connector	
8	F230754	Water Valve Assembly Decal	
9	36801	Hose Clamp	No. 6
10	F200110P	Water Hose	
11	F422816	Y Connector	

N/A = Part no longer available

Water Supply Valve and Hoses to Supply Dispenser - Elbi Valve



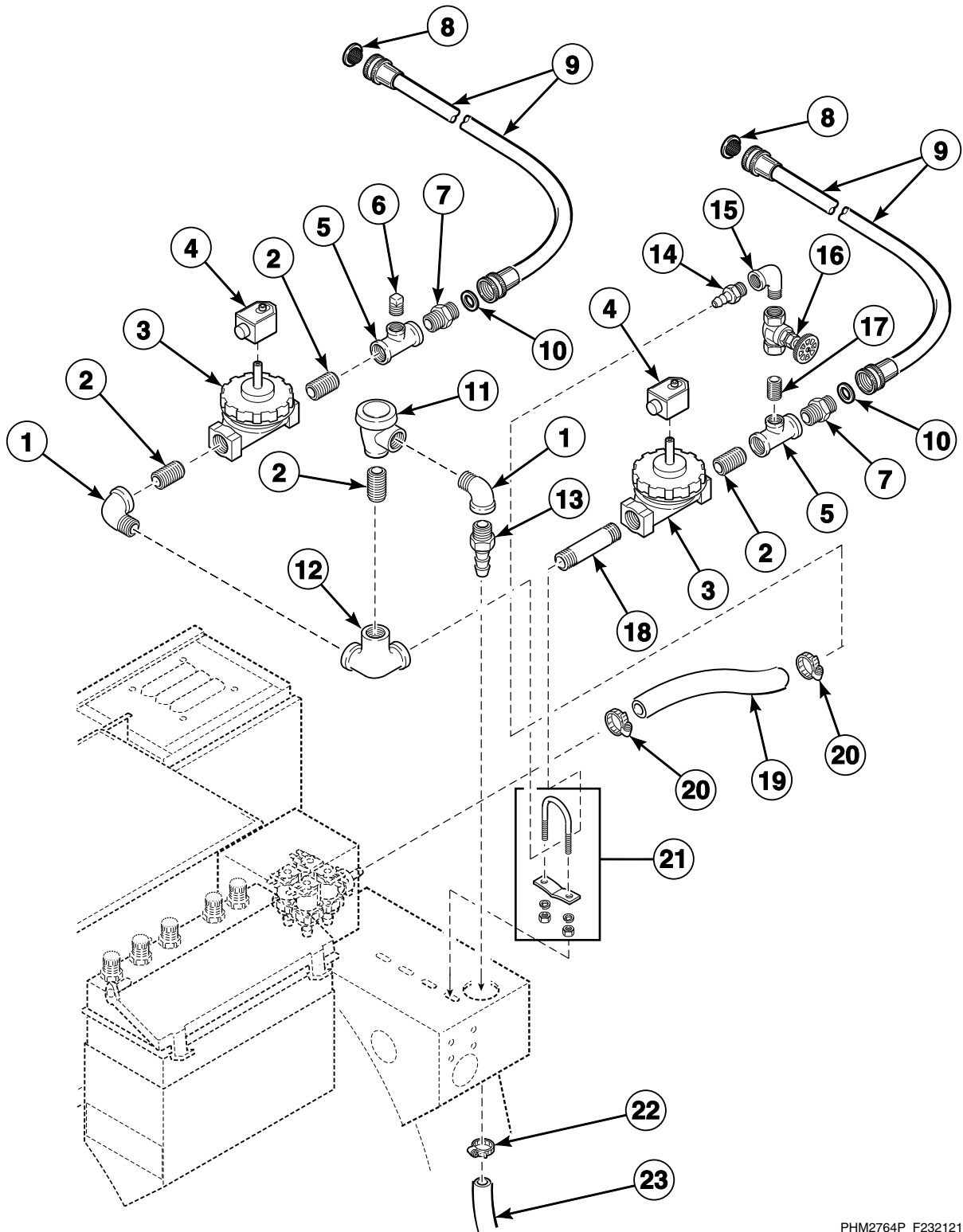
PHM2635P_F232121

Water Supply Valve and Hoses to Supply Dispenser - Elbi Valve

REF	PART NO.	DESCRIPTION	COMMENTS
1	N/A	Flow Restrictor	8 liter
2	F270200	Strainer	
3	F381724P	4-Way Valve	120 Volt
	F381723P	4-Way Valve	220 Volt; G581P3 Diaphragm and Guide Kit
4	F200302	Hose Connector	
5	F430948	Screw	
6	36801	Hose Clamp	No. 6
7	F200110P	Water Hose	
8	F422816	Y Connector	

N/A = Part no longer available

Fill Plumbing

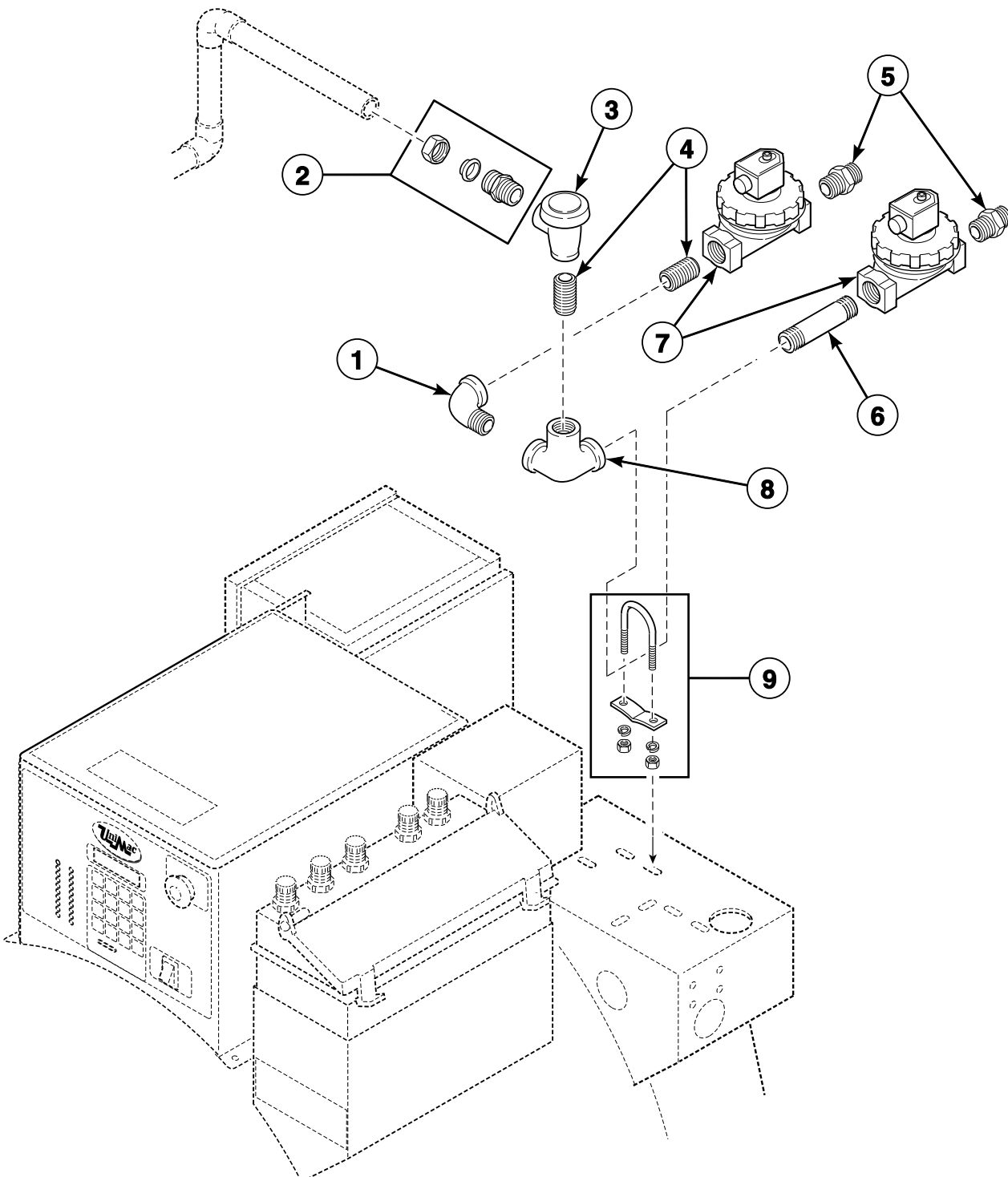


PHM2764P_F232121

Fill Plumbing

REF	PART NO.	DESCRIPTION	COMMENTS
	F141901P	DIN Harness Assembly	Use with F381700P Valve and F381701P Valve
	F8382301	DIN Valve Adapter Kit	Use with F381700P Valve and F381701P Valve
	F8379502	Valve Rebuild Kit	Use with F8322905 Valve
	F8456202P	Valve Transition Kit	Use with F8322909 Valve
	F380991P	Water Valve Repair Kit	Use with F381700P Valve and F381701P Valve
1	F420502	Street Elbow	
2	F420105	Nipple	
3	F8322909P	Valve	Replaces F381700P Valve; Includes F8514701 Coil
	F8322905P	Valve	Replaces F381701P Valve; Includes F8514601 Coil; For models that have been upgraded with F8521801 DIN Valve Kit
	F8521801	DIN Valve Kit	Replaces F381701P Valve; Includes F8322905 Valve and F8514601 Coil
4	F380986P	DIN Coil	120 Volt; Use with F381700P Valve
	F380987P	DIN Coil	220 Volt; Use with F381701P Valve
	F8514601	Coil	Use with F8322905 Valve
	F8514701	Coil	Use with F8322909 Valve
5	F420402	Tee	
6	F420408	Plug	
7	F421909	Hose Adapter	Standard thread
	F8265701	Adapter	Metric thread
8	803615	Washer	
9	F200164	Water Hose	Standard thread
	F200166	Water Hose	Metric thread
10	20290	Washer	
11	F063754701P	Vacuum Breaker Valve	
	F380965P	Repair Kit	3/4 inch
12	F420509	Elbow	
13	F421951	Hose Barb	
14	F421903	Adapter	
15	F420500	Street Elbow	
16	F380500	Gate Valve	1/2 inch
17	F420101	Nipple	
18	F420107	Nipple	
19	F200108P	Water Hose	
20	F200206	Hose Clamp	No. 4
21	F200401P	U-Bolt Clamp	
22	F200222	Hose Clamp	No. 12
23	F200104P	Hose	

Spray Plumbing - Models UW80PV and UW100PV

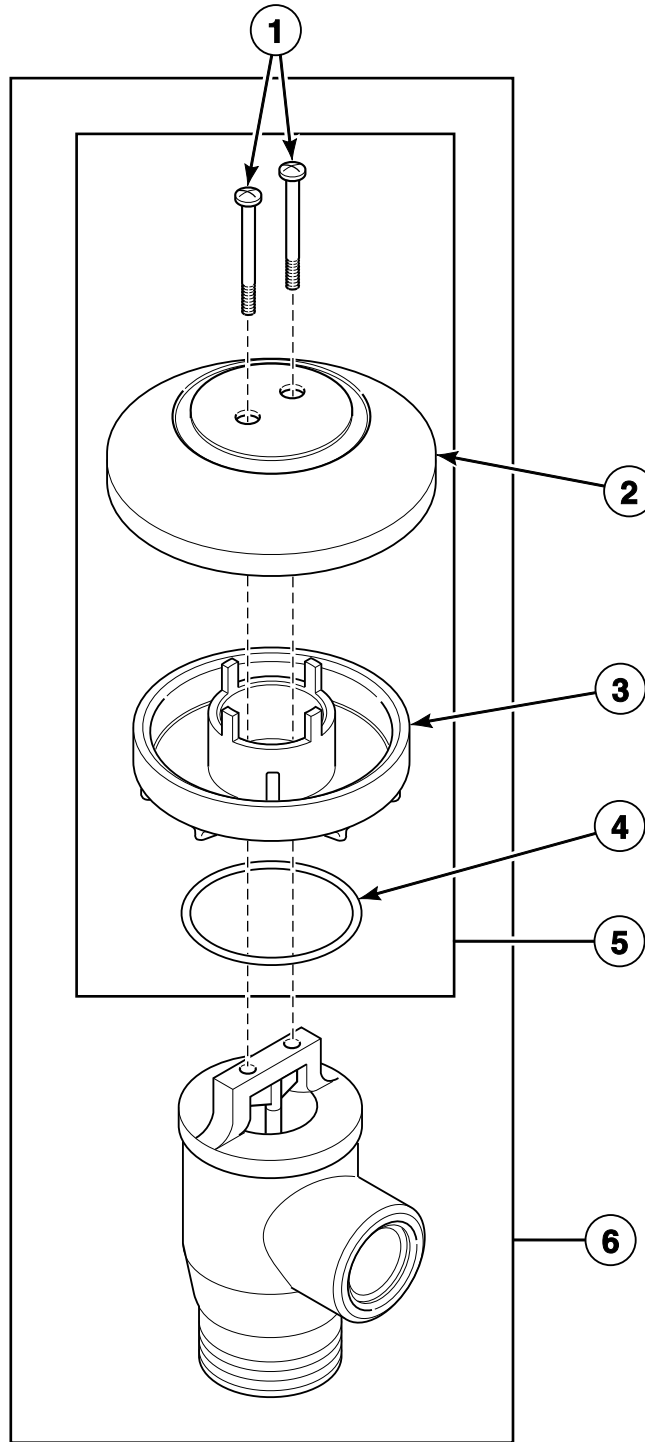


P028P_F232121

Spray Plumbing - Models UW80PV and UW100PV

REF	PART NO.	DESCRIPTION	COMMENTS
	F380986P	DIN Coil	120 Volt; Use with F381700P Valve
	F380987P	DIN Coil	220 Volt; Use with F381701P Valve
	F380991P	Water Valve Repair Kit	3/4 inch; Use with F381700P Valve and F381701P Valve
	F141901P	DIN Harness Assembly	Use with F381700P Valve and F381701P Valve
	F8382301	DIN Valve Adapter Kit	Use with F381700P Valve and F381701P Valve
	F8514601	Coil	Use with F8322905 Valve
	F8514701	Coil	Use with F8322909 Valve
	F8379502	Valve Rebuild Kit	Use with F8322905 Valve
	F8456202P	Valve Transition Kit	Use with F8322909 Valve
1	F420502	Street Elbow	
2	F422106	Tube Connector	
3	F063754701P	Vacuum Breaker Valve	3/4 inch
	F380965P	Repair Kit	3/4 inch
4	F420105	Nipple	
5	F421909	Hose Adapter	Standard thread
	F8265701	Adapter	Metric thread
6	F420107	Nipple	
7	F8322909P	Valve	Replaces F381700P Valve; Includes F8514701 Coil
	F8322905P	Valve	Replaces F381701P Valve; Includes F8514601 Coil; For models that have been upgraded with F8521801 DIN Valve Kit
	F8521801	DIN Valve Kit	Replaces F381701P Valve; Includes F8322905 Valve and F8514601 Coil
8	F420509	Elbow	
9	F200401P	U-Bolt Clamp	Includes hardware

Vacuum Breaker Assembly with Leak Containment Kit

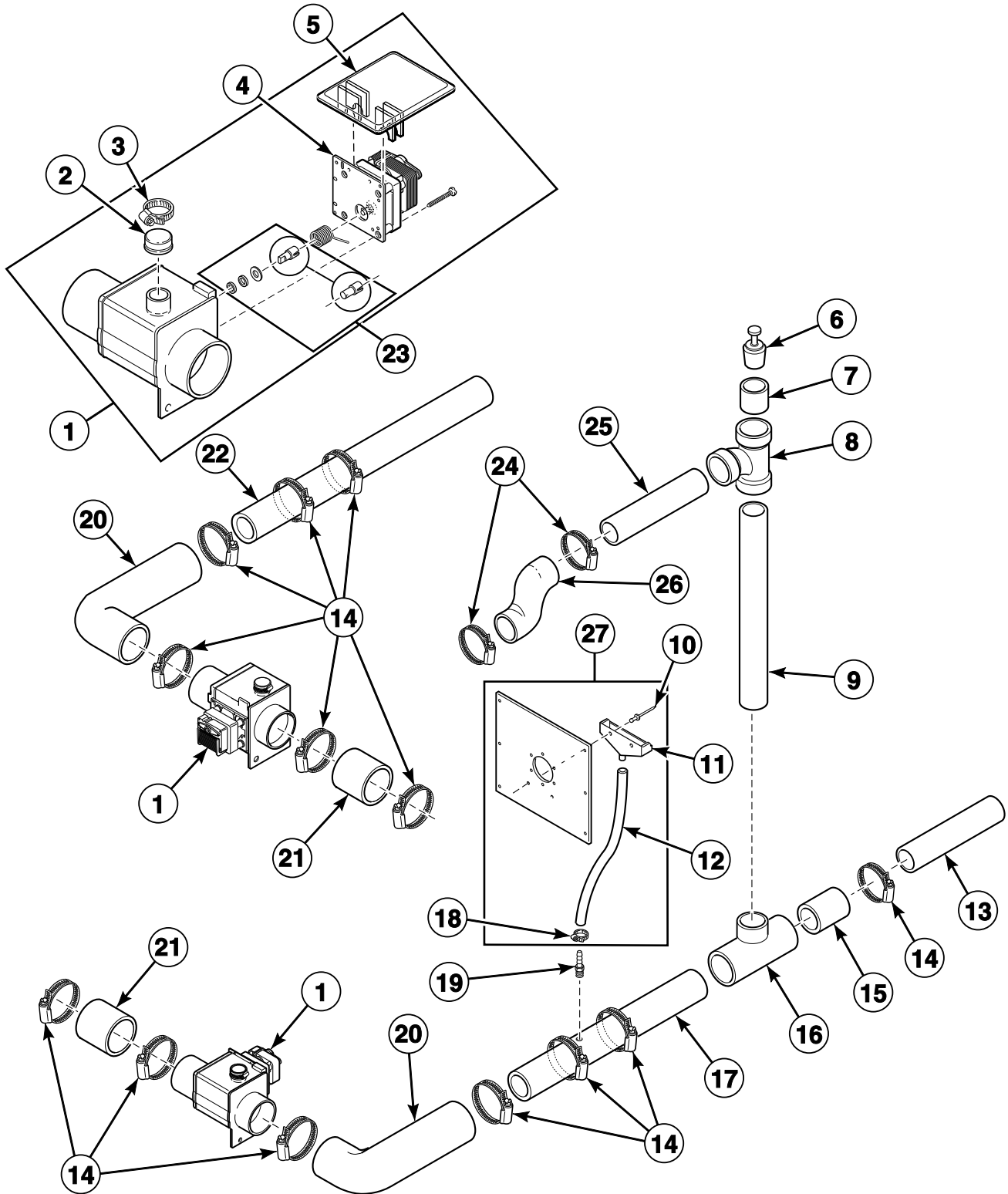


PHM2208P_F232121

Vacuum Breaker Assembly with Leak Containment Kit

REF	PART NO.	DESCRIPTION	COMMENTS
1	F430938	Screw	
2	F0380808-00	Vacuum Breaker Cap	
3	F0380809-00	Containment Device	
4	F0170221-00	O-Ring	
5	F0798922-00	Vacuum Breaker Kit	Includes items 1-4
6	F063754701P	Vacuum Breaker Valve	3/4 inch; Part No. F380965 Repair Kit; Includes item 5

Drain System, Overflow and Vent Pipes

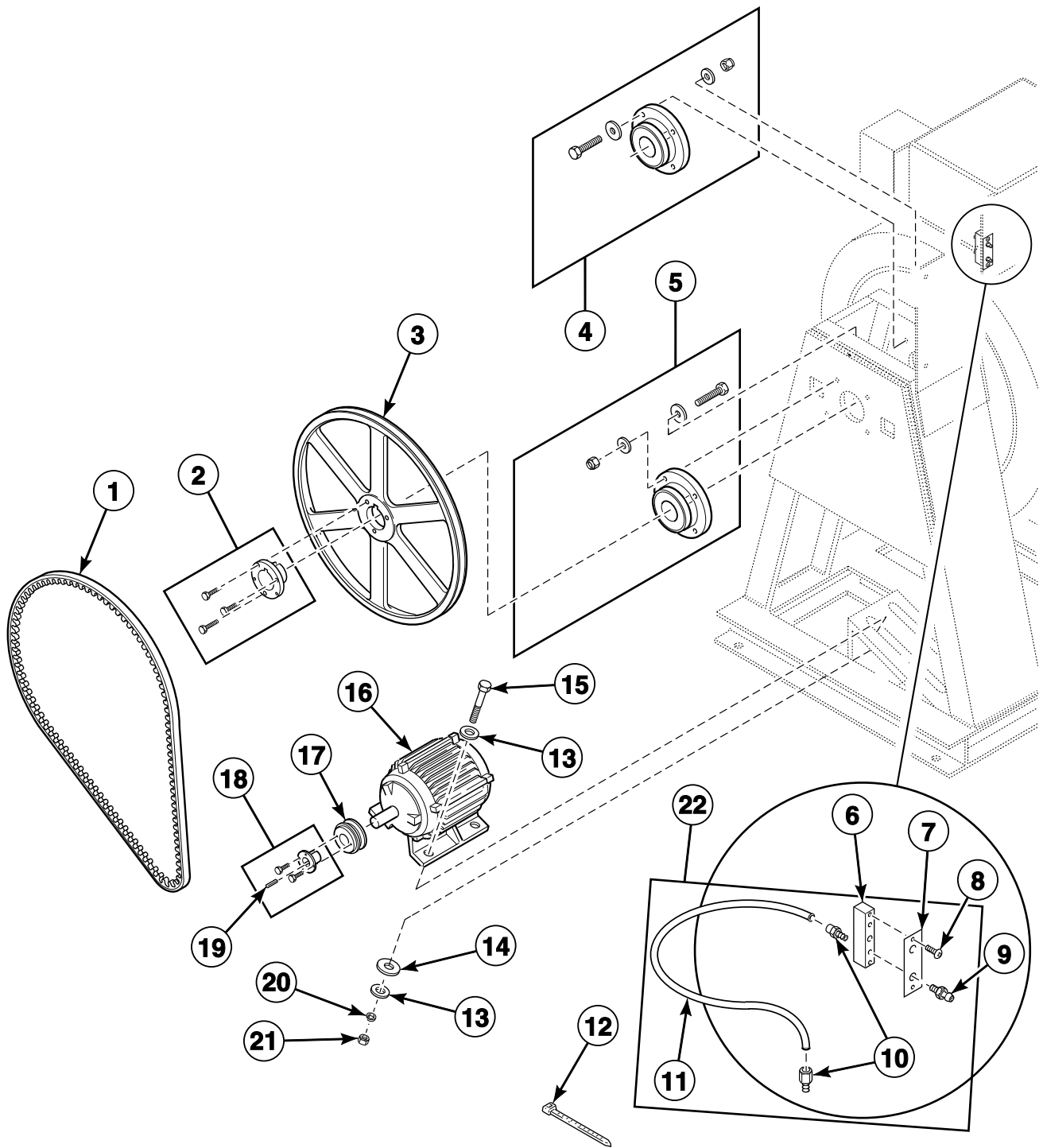


PHM2634P_F232121

Drain System, Overflow and Vent Pipes

REF	PART NO.	DESCRIPTION	COMMENTS
1	F038062800	Drain Valve	120 Volt; With overflow vent
	F200166402	Drain Valve Kit	220 Volt; No overflow vent; Includes item 5
2	F150352	Overflow Plug	Used with F038062800 Drain Valve
3	F200215	Hose Clamp	No. 28; Used with F038062800 Drain Valve
4	F380932P	Drain Valve Motor	120 Volt
	F380933P	Drain Valve Motor	220 Volt
5	F200133600	Drain Valve Cover	
6	F380117	Vacuum Breaker	
7	F422508	Adapter	
8	F422801	Tee	
9	F0602364-25	Pipe	
10	F431210	Pop Rivet	
11	F150389	Scupper	
12	F200107P	Water Hose	
13	F200165100	Drain Hose	
14	F200201	Hose Clamp	No. 56
15	F0602365-09	Pipe	Model UW80PV
	F0602365-07	Pipe	Model UW100PV
16	F422803	Tee	
17	F0602365-24	Pipe	Model UW80PV
	F0602365-08	Pipe	Model UW100PV
18	36801	Hose Clamp	No. 8
19	F421929	Hose Barb	
20	F150437	Drain Hose	Rear
21	F150442	Drain Hose	Front
22	F0602365-27	Pipe	
23	F380918	Main Drive Kit	
24	F200213	Hose Clamp	No. 40
25	F0602365-14	Pipe	
26	F150309	Soap Dispenser Hose	
27	F8084201	Shell Reinforcement Plate Assembly	Includes items 10-12 and 18

Motor, Pulley and Bearings



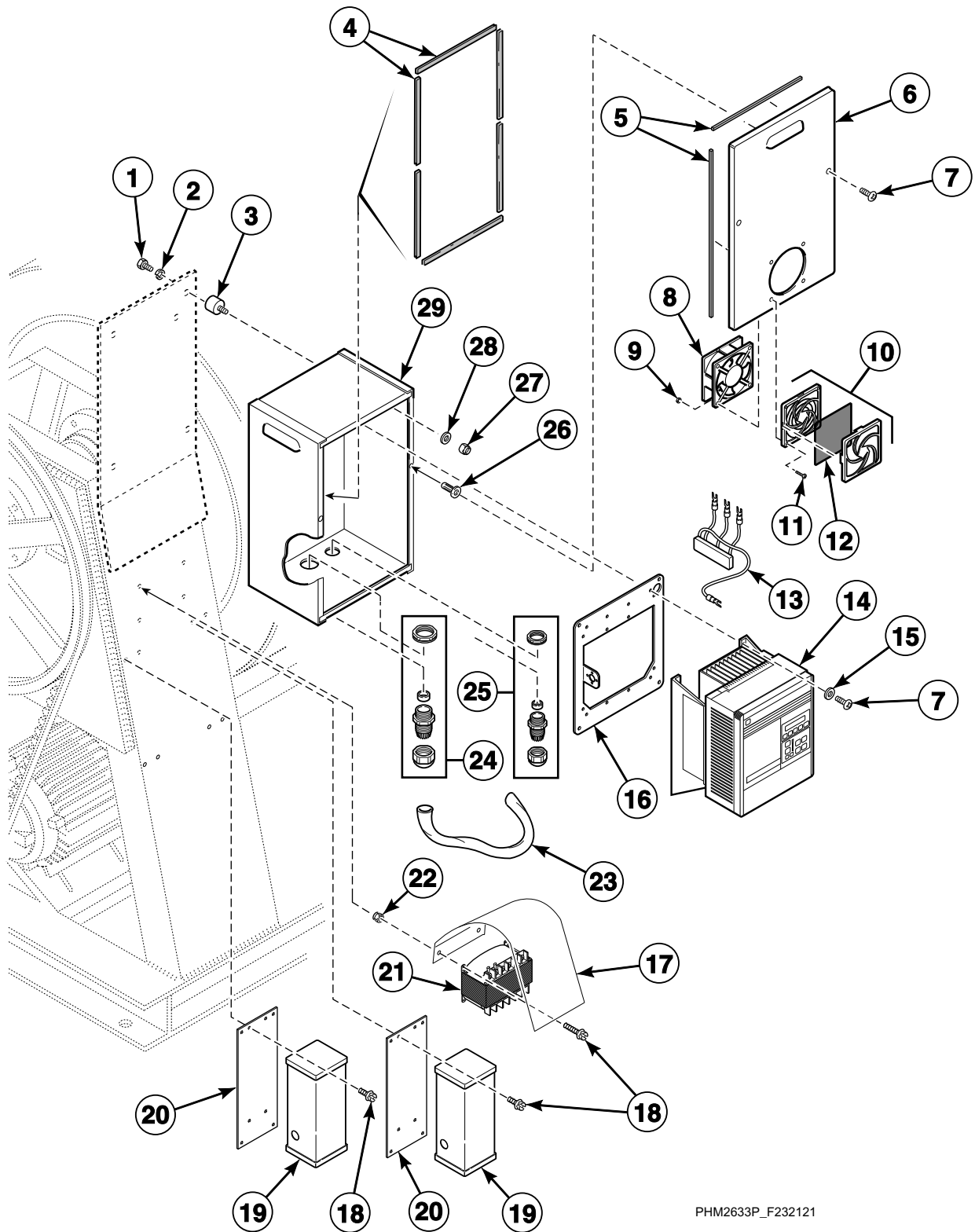
PHM1944P_F232121

Motor, Pulley and Bearings

REF	PART NO.	DESCRIPTION	COMMENTS
1	F280355	Belt	Models UW80PV and UW100PV; BX108; 2 required
	F200140400P	Belt	Model UW100VV; 3VX1180
2	F280294P	Basket Pulley Bushing	Includes screws; 2 7/16 inch
3	F280412	Pulley	Models UW80PV and UW100PV; 2B305F
	F150268	Basket Pulley	Model UW100VV; 33V33505F
4	F798831-00	Front Bearing Kit	Includes seal and hardware
5	F745006	Rear Bearing Kit	Includes hardware
6	F320326	Grease Manifold	
7	F230745	Lubrication Instruction Decal	
8	F430925	Screw	
9	F190701	Grease Fitting	
10	J1408004	Connector	
11	C000628P	Tubing	
12	F140605	Cable Tie	6 inch
13	M400081	Washer	
14	F430300	Washer	
15	F430993	Screw	
16	F220216M	Motor	Models UW80PV and UW100PV with F370818 1305-Series Drive, F370835 or F370838 1336-Series Drive; AC drive parameters must be compatible with the motor and motor pulley. Please request the AC drive parameter illustration for parameter verification when ordering a motor
	F220237P	Motor	Models UW80PV and UW100PV with 160, 1305 and 1336-Series Drives; AC drive parameters must be compatible with the motor and motor pulley. Please request the AC drive parameter illustration for parameter verification when ordering a motor
	F220236P	Motor	Model UW100VV; Replaces F220214MP Motor; AC drive parameters must be compatible with the motor and motor pulley. Please request the AC drive parameter illustration for parameter verification when ordering a motor
	F220216UP	Motor	Models UW80PV and UW100PV with F370835 or F370838 1336-Series Drive; AC drive parameters must be compatible with the motor and motor pulley. Please request the AC drive parameter illustration for parameter verification when ordering a motor
17	F280181	Pulley	Models UW80PV and UW100PV; 2BK34H; 2 groove; 3.55 inch OD
	F280295	Motor Pulley	Model UW100VV; 33V250JA
18	F280242	Motor Bushing	Models UW80PV and UW100PV; Includes screws and item 19; H-1-3/8
	F280233P	Bushing	Model UW100VV; Includes screws and item 19; JA 1 1/8
19	N/A	Key	
20	M400014	Washer	
21	F430205	Nut	
22	F745401	Manual Bearing Greasing Retrofit Kit	Includes items 7-11, F630433 Grease Manifold Bracket, F430211 Nut, F430322 Washer, F430923 Screw and F431024 Nut

N/A = Part no longer available

AC Drive



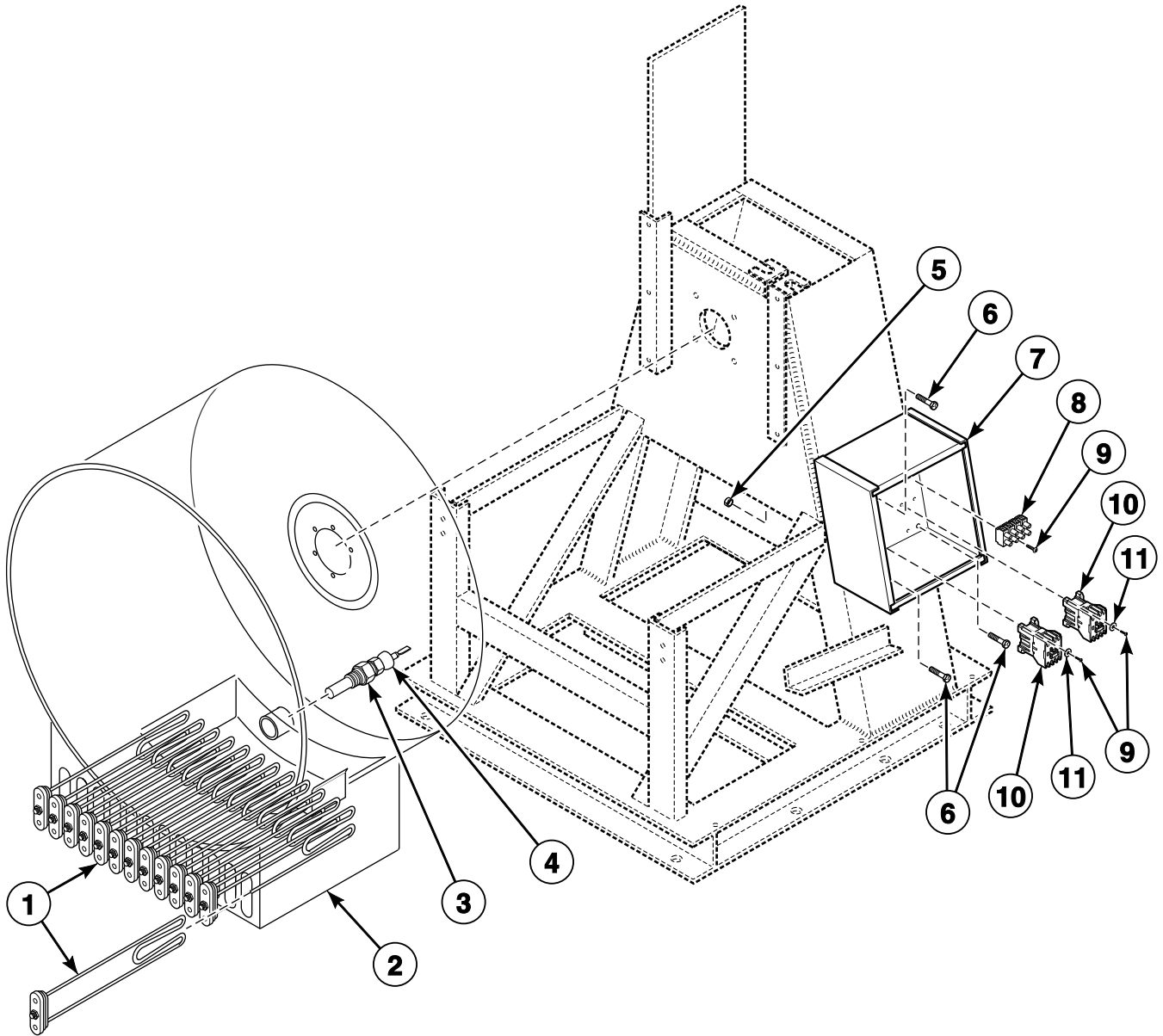
PHM2633P_F232121

AC Drive

REF	PART NO.	DESCRIPTION	COMMENTS
1	F430935	Screw	
2	F431100	Washer	
3	F432219	Sandwich Mount	
4	F8513501	Shell Front Gasket Kit	
5	F170402P	Gasket	
6	N/A	AC Enclosure Cover	
7	F430935	Screw	
8	F110106	Muffin Fan	120 Volt
	F110105	Muffin Fan	220 Volt
9	F430231	Nut	
10	F220900	Filter Retainer Guard	Includes item 12
11	F430916	Screw	
12	F200318900P	Filter	
13	F200320901	AC Drive Radio Filter Assembly	Models UW80PV and UW100PV
	F200320900	AC Drive Radio Filter Assembly	Model UW100VV
14	F370838	Inverter Drive	200 Volt; Model UW80PV starting 9/18/97 through 9/28/99; Model UW100PV starting 7/24/97 through 9/28/99
	F037083500	Inverter Drive	400 Volt; Model UW80PV starting 9/18/97 through 8/9/98; Model UW100PV starting 7/24/97 through 8/9/98
	F370818	Inverter Drive	400 Volt; Models UW80PV and UW100PV starting 8/10/98 through 9/28/99; Model UW100VV
	F370815	Inverter Drive	200 Volt; Model UW100VV
15	F430322	Washer	
16	F632290	Plate Assembly	Models UW80PV and UW100PV; Used with F370853 and F370854 Inverter Drive
17	F140433	Cover	
18	F430107	Screw	
19	F200031100	Transformer	Models UW80PV and UW100PV; N-voltage
20	F631276	Transformer Adapter Plate	Models UW80PV and UW100PV
21	F360125P	Transformer	
22	685846	Nut	
23	N/A	Tubing	
24	F140224	Strain Relief Connector	PG29
25	F140331	Strain Relief Connector	PG21
26	F432212	Nut	
27	F430215	Nut	
28	F430317	Washer	
29	F633755	AC Drive Box Weldment	
	F632287	AC Enclosure Assembly	Includes items 3, 6, 8, 10, 16, 24 and 25

N/A = Part no longer available

Electric Heat Option - Models UW80PV and UW100PV

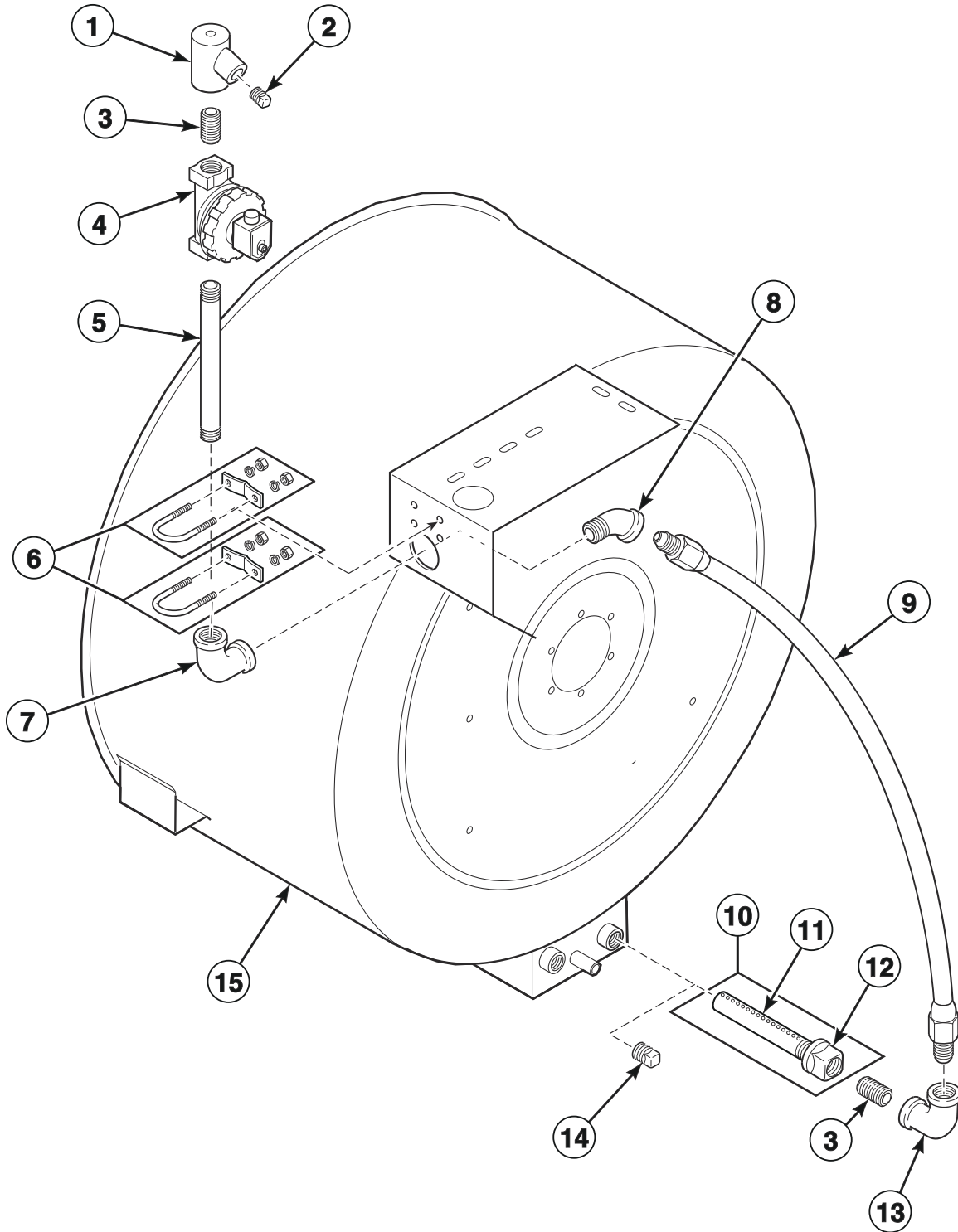


U069P_F232121

Electric Heat Option - Models UW80PV and UW100PV

REF	PART NO.	DESCRIPTION	COMMENTS
1	F360203P	Heating Element	200 Volt; 9 required
2	F632397-1	Shell Assembly	Model UW80PV
	F630760-1	Shell Weldment	Model UW100PV
3	F421936	Reducer Bushing	
4	F370606P	Temperature Probe	
5	F430215	Nut	
6	F430938	Screw	
7	F140413	Box	
8	F140746	Input Power Block	
9	F430107	Screw	
10	F330187P	Contactor	120 Volt
	F330188P	Contactor	220 Volt
11	F430311	Washer	

Steam Heat Option



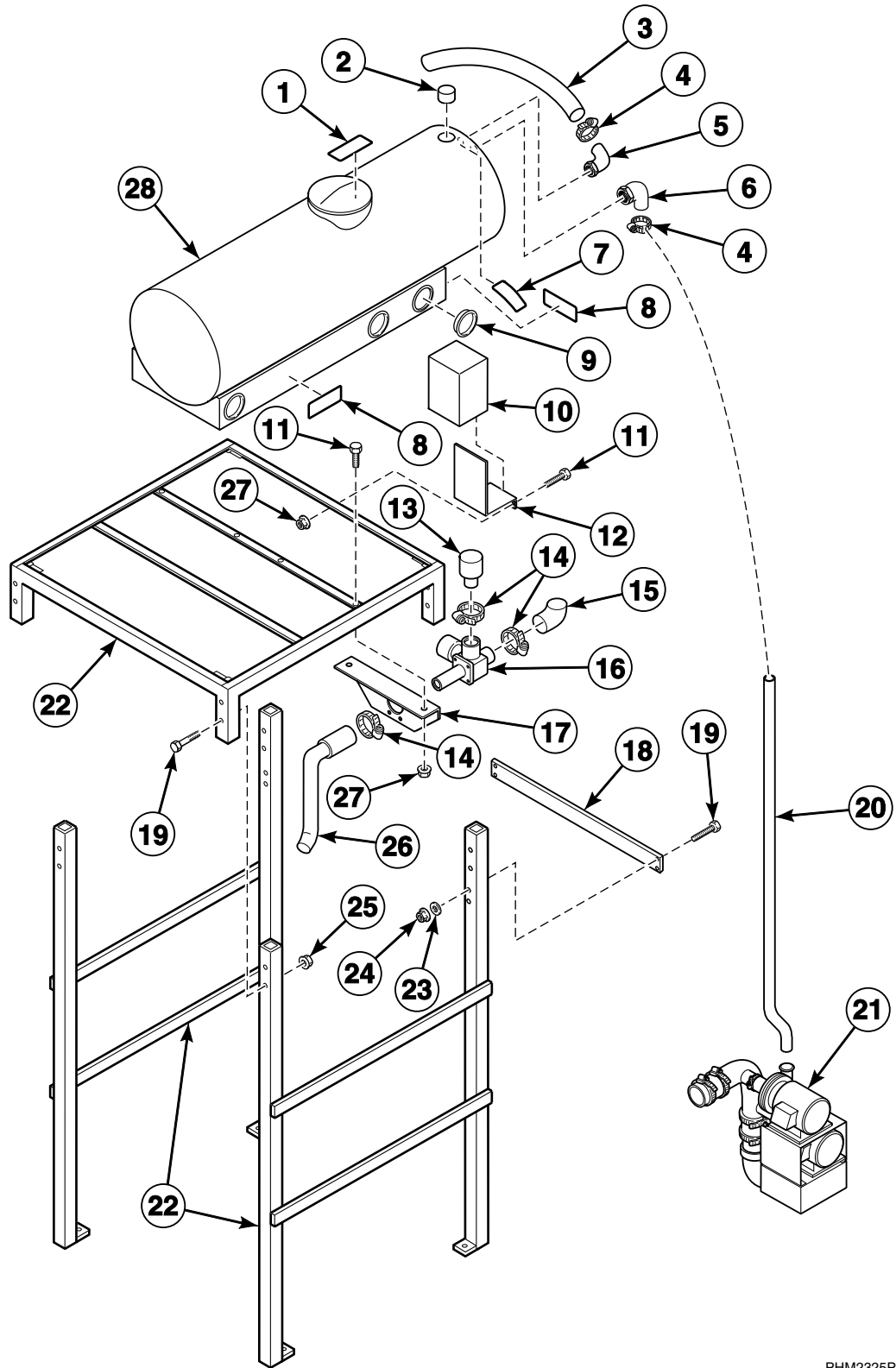
U070P_F232121

Steam Heat Option

REF	PART NO.	DESCRIPTION	COMMENTS
	F380986P	DIN Coil	120 Volt; Use with F380786P Steam Valve
	F380987P	DIN Coil	220 Volt; Use with F380787P Steam Valve
	F8514601	Coil	Use with F8322801 Valve
	F8514701	Coil	Use with F8322802 Valve
	F8382301	DIN Valve Adapter Kit	Use with F8322801 Valve and F8322802 Valve
	F8379501	Valve Kit	Use with F8322801 Valve and F8322802 Valve
	F380984P	Steam Valve Repair Kit	Use with F380786P Steam Valve and F380787P Steam Valve
1	F270307	Steam Filter	1/2 inch
2	F420409	Plug	
3	70435601	Pipe Nipple	
4	F8322802	Valve	Replaces F380786P Steam Valve; Includes F8514701 Coil; For models that have been upgraded with F8521601 DIN Valve Kit
	F8521601	DIN Valve Kit	Replaces F380786P Steam Valve; Includes F8322802 Valve and F8514701 Coil
	F8322801P	Valve	Replaces F380787P Steam Valve; Includes F8514601 Coil; For models that have been upgraded with F8521801 DIN Valve Kit
	F8521501	DIN Valve Kit	220 Volt; Includes F8322801 Valve, F8514601 Coil and F8382301 DIN Valve Adapter Kit
	F8521801	DIN Valve Kit	Replaces F380787P Steam Valve; Includes F8322801 Valve and F8514601 Coil
5	N/A	Nipple	
6	F200401P	U-Bolt Clamp	Includes hardware
7	70079601	Elbow	
8	F421108	Elbow	
9	F200153P	Steam Hose	
10	F603131	Steam Injector Tube Assembly	
11	F603048	Steam Injection Tube	
12	F421400	Bushing	
13	F421703	Street Elbow	
14	F200202600	Plug	
15	F634471	Shell Assembly	Model UW80PV
	F634495	Shell Weldment	Model UW100PV

N/A = Part no longer available

Water-Saving System Main View - Model UW100PV



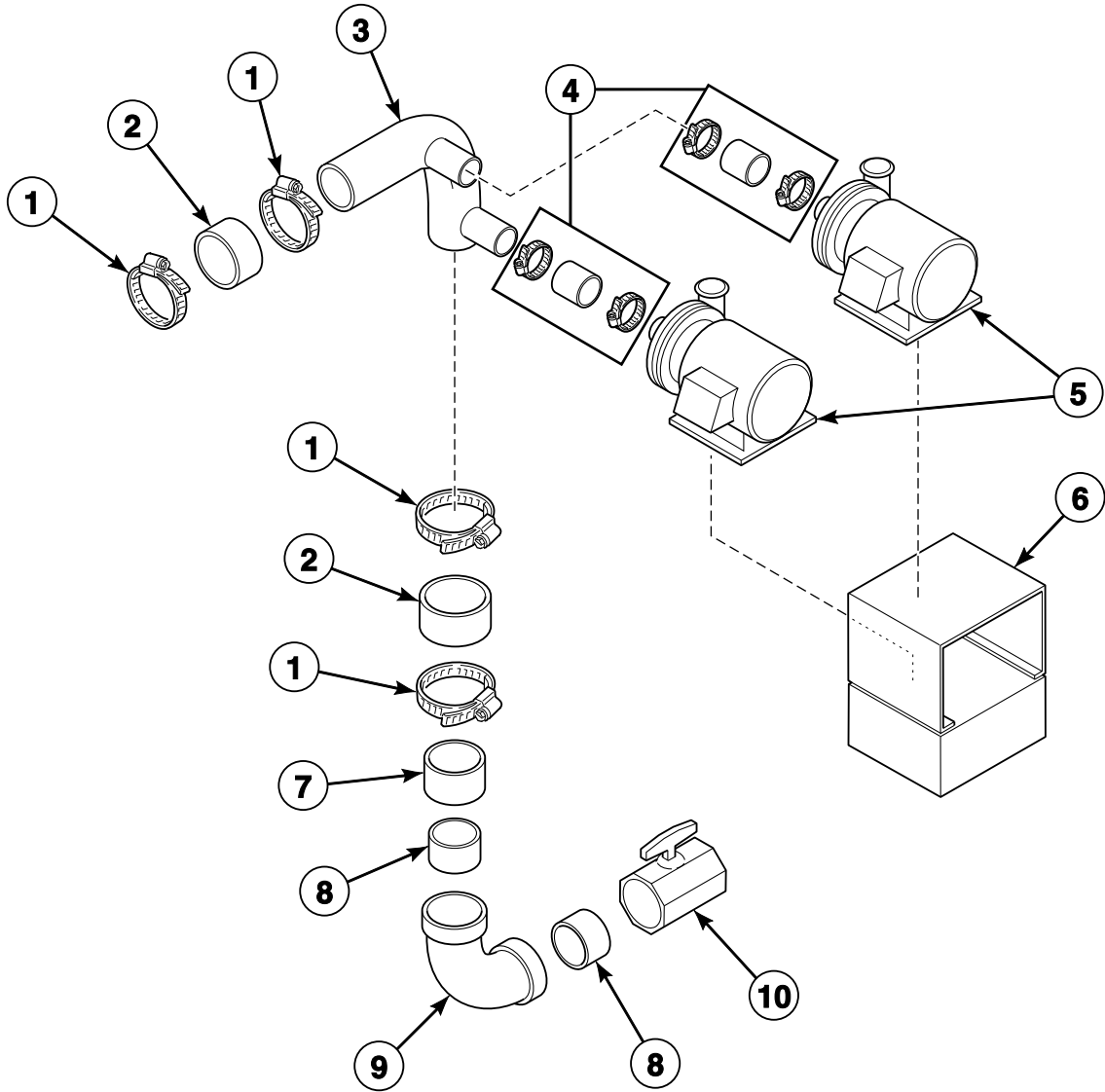
PHM2325P_F232121

Water-Saving System Main View - Model UW100PV

REF	PART NO.	DESCRIPTION	COMMENTS
1	F231420	Top Cover Caution Decal	
2	F380117	Vacuum Breaker	
3	F150484	Reuse Overflow Hose	
4	F200215	Hose Clamp	No. 28
5	N/A	Elbow	
6	N/A	Elbow	
7	F231419	Do Not Obstruct Decal	
8	F231418	Do Not Climb Caution Decal	
9	N/A	Cap Plug	
10	N/A	Control Module Sub-Assembly	120 Volt
	N/A	Control Module Sub-Assembly	220 Volt
11	M400056	Screw	
12	F634191	Reuse Control Enclosure Mounting Bracket	
13	F422520	Reuse Drain Reducer	
14	F200213	Hose Clamp	No. 40
15	F422914	Reuse Drain Elbow	
16	F380635P	Reuse Drain Valve	
17	F634274	Drain Valve Bracket	
18	N/A	Flat Bar	
19	F430996	Screw	
20	F200505	Reuse Inlet Hose	
21	F634672P	Pump Sub-Assembly	
22	F634492	Reuse Frame Assembly	Includes item 18
23	F431100	Washer	
24	F8549401	Nut	
25	F430239	Nut	
26	F0637929-02	Tank Drain Sub-Assembly	
27	F430233	Nut	
28	F191007	Reuse Tank	

N/A = Part no longer available

Water-Saving System Pump Sub-Assembly - Model UW100PV

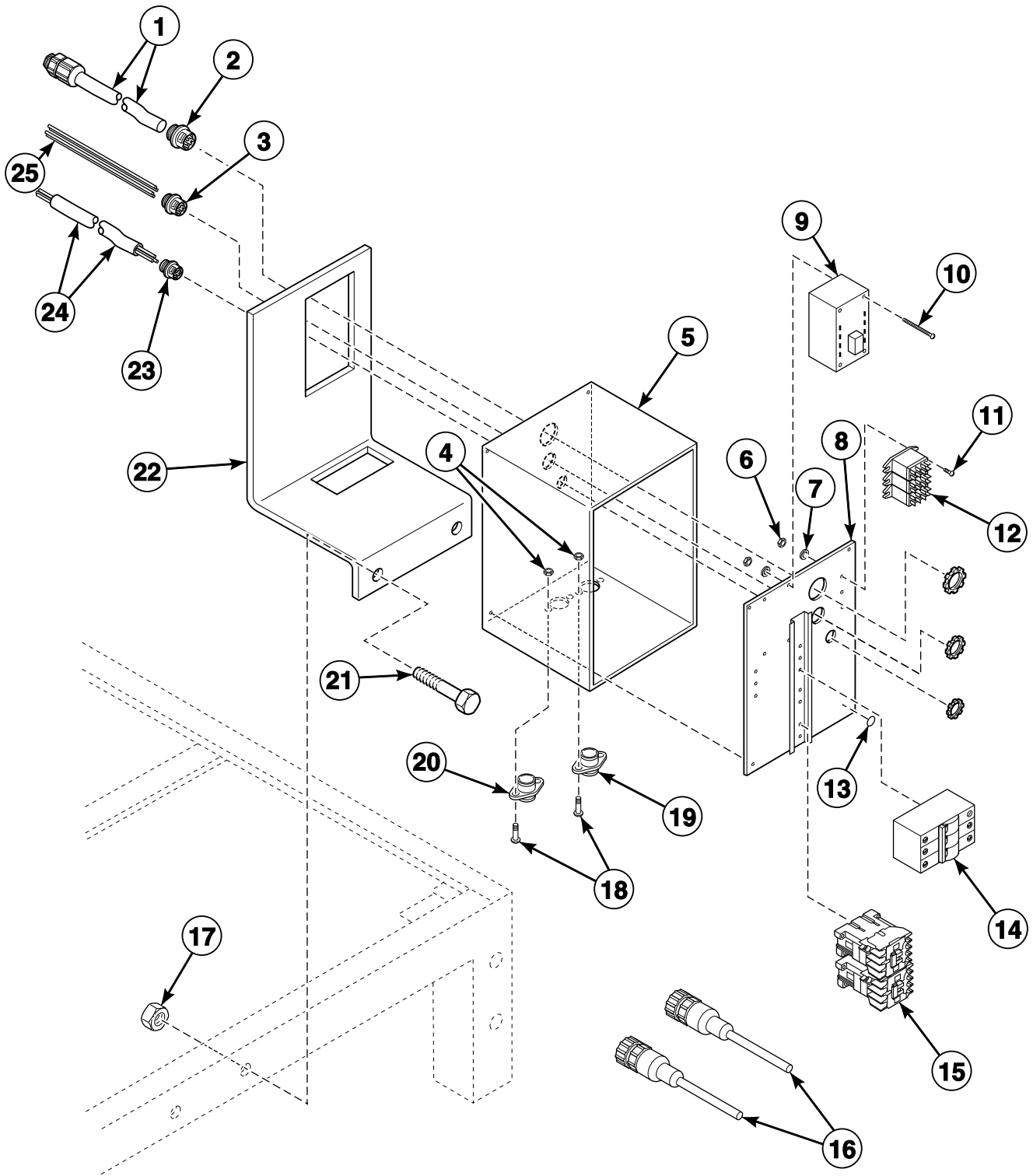


PHM789B_F232121

Water-Saving System Pump Sub-Assembly - Model UW100PV

REF	PART NO.	DESCRIPTION	COMMENTS
1	F200201	Hose Clamp	No. 56
2	F150442	Drain Hose	
3	F250707	Reuse Pump Manifold	
4	F422515	Tube Connector	
5	F270102P	Pump	
6	F634267	Reuse Pump Platform Assembly	
7	F150308	Overflow Hose	
8	F0602364-04	Pipe	
9	F422900	Elbow	
10	F380634	Ball Valve	

Water-Saving System Control Module Sub-Assembly - Model UW100PV



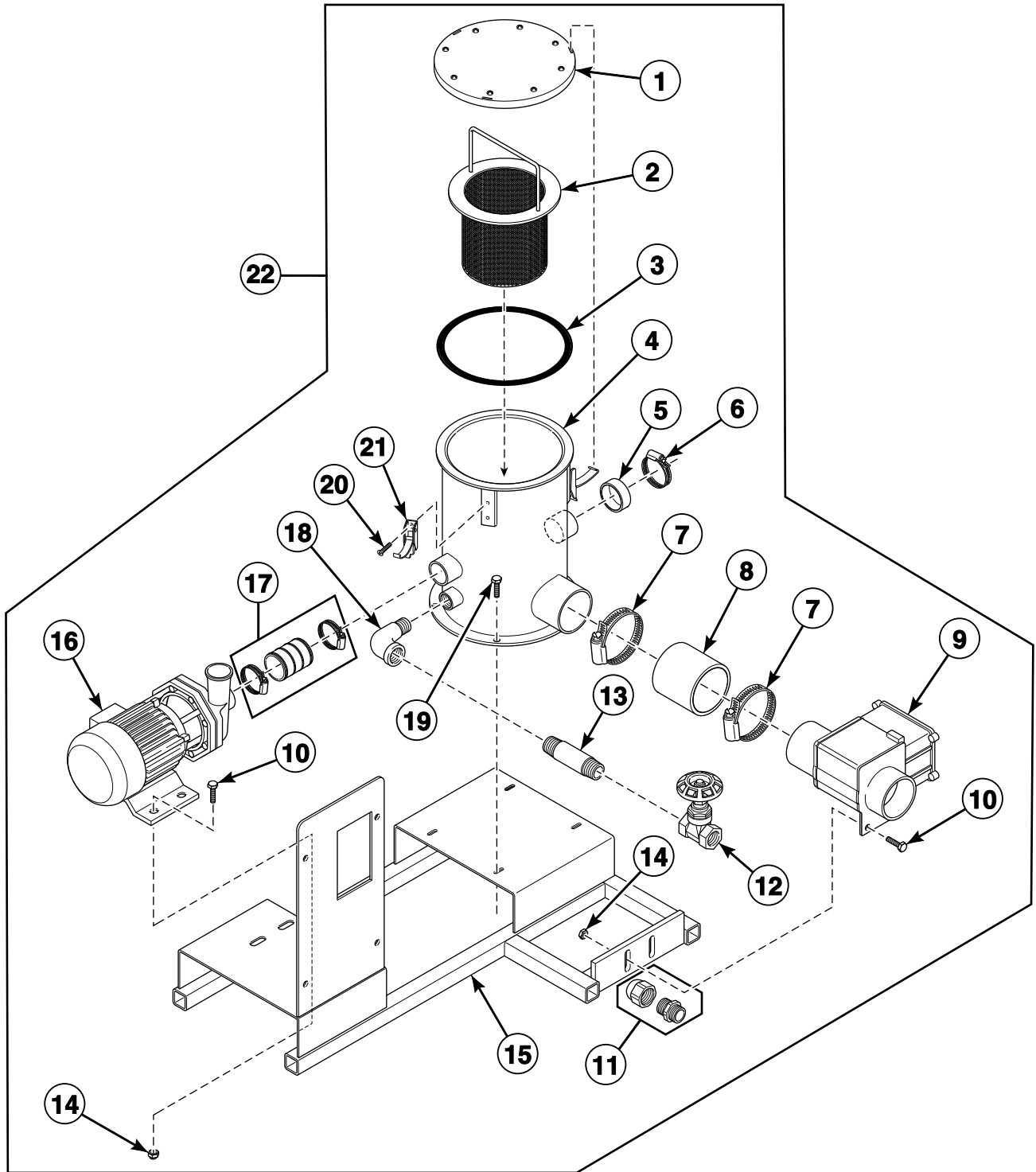
PHM2698P_F232121

Water-Saving System Control Module Sub-Assembly - Model UW100PV

REF	PART NO.	DESCRIPTION	COMMENTS
1	N/A	Reuse Control Cable Assembly	
2	F140331	Strain Relief Connector	Includes nut
3	F140328	Strain Relief Connector	Includes nut
4	F430231	Nut	
5	F140432	Box	
6	F431022	Nut	
7	F431113	Washer	
8	F634278	Control Panel Sub-Assembly	
9	F370437P	Relay CCA	120 Volt
10	F430910	Screw	
11	F430916	Screw	
12	F0330289-00	Flange Mount Relay	9 vdc
13	F230739	Ground Decal	
14	F350207P	Circuit Breaker	
15	F330175P	Contactors	120 Volt
16	F140254	Reuse Pump Motor Cable Assembly	B
	F140255	Reuse Pump Motor Cable Assembly	A
17	F430233	Nut	
18	F430928	Screw	
19	N/A	Pump A Harness Assembly	
20	F141876	Pump B Harness Assembly	
21	M400056	Screw	
22	F634191	Reuse Control Enclosure Mounting Bracket	
23	F140330	Strain Relief Connector	Includes nut
24	F140245	Cable	
25	45257	14 Gauge Wire	Order 15 feet; Gray
	N/A	14 Gauge Wire	Order 5 feet; Green/yellow

N/A = Part no longer available

Wet-Clean Assembly Main View - Models UW80PV and UW100PV



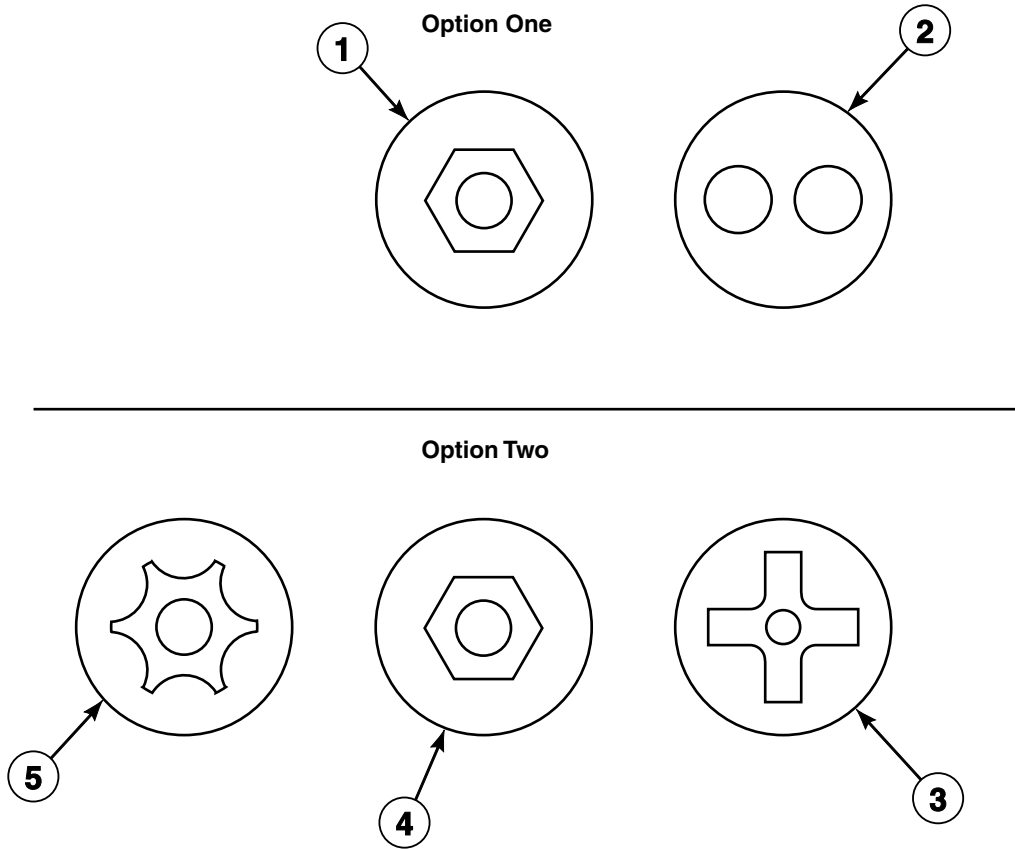
PHM2539P_F232121

Wet-Clean Assembly Main View - Models UW80PV and UW100PV

REF	PART NO.	DESCRIPTION	COMMENTS
1	F630300	Cover Assembly	
2	F630298	Filter Basket Weldment	
3	F170218	Canister Cover O-Ring	
4	F632355	Drain Canister Weldment	
5	F150352	Overflow Plug	
6	F200215	Hose Clamp	No. 28
7	N/A	Hose Clamp	No. 48
8	F150442	Drain Hose	
9	F380631	Drain Valve	
10	F430939	Screw	
11	F140329	Strain Relief Connector	PG13
12	F380500	Gate Valve	
13	F421915	Nipple	
14	F431024	Nut	
15	F632693	Canister Stand Weldment	
16	F270102P	Pump	
17	F422515	Tube Connector	
18	F422304	Street Elbow	
19	F430923	Screw	
20	F430903	Screw	
21	F432201	Draw Latch	
22	N/A	Wet-Clean Canister Stand Assembly	Includes items 1-21

N/A = Part no longer available

Security Fasteners



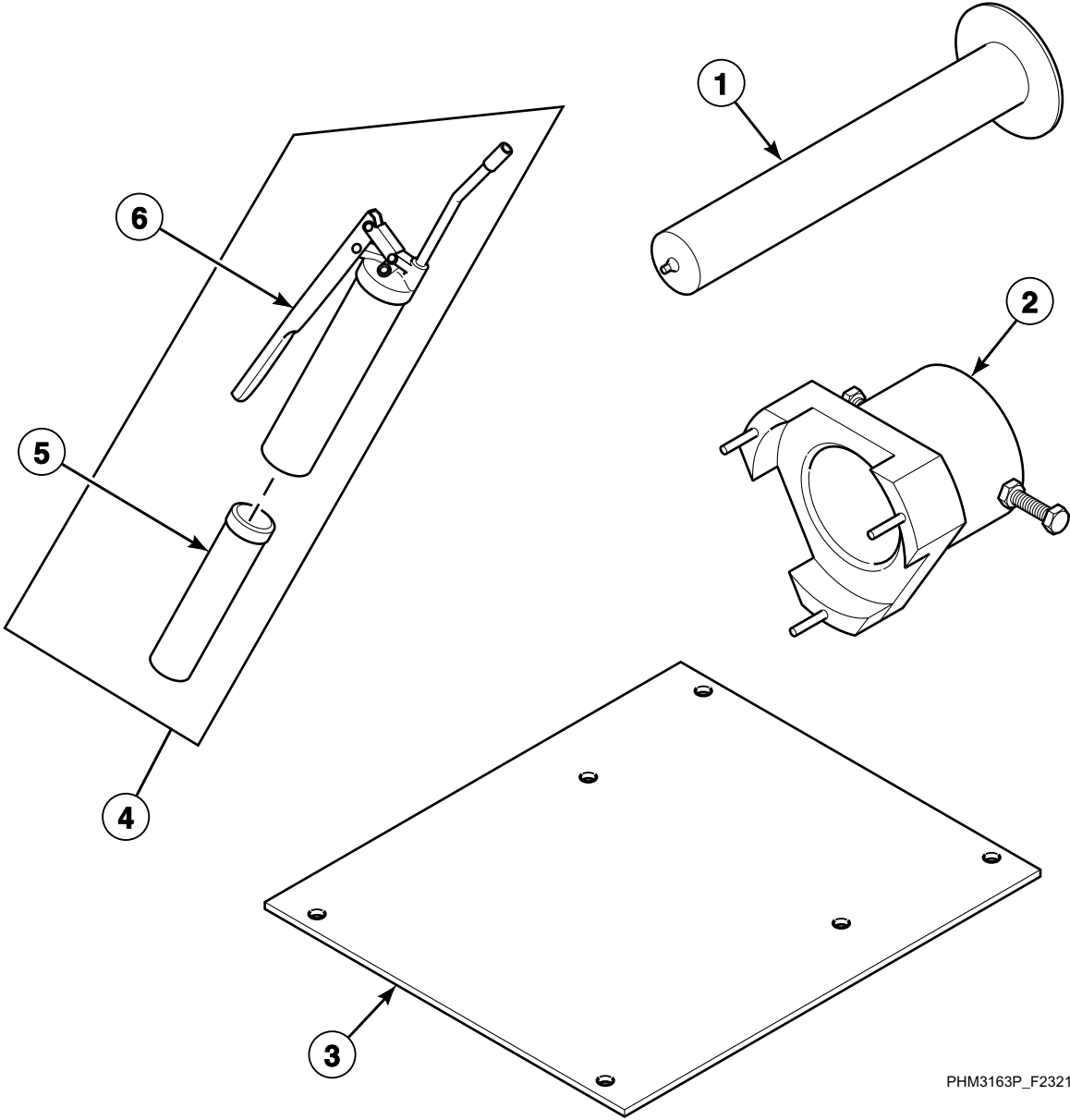
PHM2181P_F232121

Security Fasteners

REF	PART NO.	DESCRIPTION	COMMENTS
1	F0430275-00	Screw	No. 8; 32 x 1/2 inch; Used in place of F430956 Screw; Typical location is the side panels and module cover
	F430960	Screw	No. 10; 32 x 3/8 inch; Used in place of F430904 Screw; Typical location is the module to the shell
	F704906	Hex Bit	
2	F0430273-00	Screw	1/4 inch; 20 x 2 1/2 inch; Used in place of F430996 Screw; Typical location is the door box to the bracket
	F0430272-00	Screw	1/4 inch; 20 x 1 1/2 inch; Used in place of F430921 Screw; Typical location is the side panel to the bracket
	F0430274-00	Screw	1/4 inch; 20 x 1/2 inch; Used in place of F430925 Screw; Typical location is the drive box or the cover
	F704907	Spanner Bit	
3	F432260	Screw	1/4 inch; 20 x 2 1/2 inch; Used in place of F430996 Screw; Typical location is the door box to the bracket
	N/A	Phillips Bit	
4	N/A	Screw	1/4 inch; 20 x 1/2 inch; Used in place of F430925 Screw; Typical location is the drive box or cover
	N/A	Hex Bit	
5	F432259	Screw	No. 8; 32 x 1/2 inch; Used in place of F430956 Screw; Typical location is the side panels and module cover
	281P4	Torx Bit	

N/A = Part no longer available

Special Tools



PHM3163P_F232121

Special Tools

REF	PART NO.	DESCRIPTION	COMMENTS
	F730055-1	Mounting Bolt Kit	
	F370851P	HIM Drive	Used with A and B-series 160 drives
	F798751	HIM Drive	Used with A, B and C-series 160 drives
	1113P	Concrete Hardware Kit	
	F798772	Rebar Frame Kit	
1	F633430	Shaft Assembly	
2	F200284800	Seal Alignment Fixture Assembly	
	F0100314-00	Shaft Seal Alignment Fixture	
3	F601648	Rebar Frame Template	
4	F798700	Grease Gun Kit	Includes items 5 and 6
5	F210206P	Bearing Grease	
6	F210207P	Grease Gun	

Parts Index

A

AC Drive Box Weldment F633755	51
AC Drive Radio Filter Assembly F200320900	51
F200320901	51
AC Enclosure Assembly F632287	51
Adapter F421903	41
F422508	47
F8265701	41, 43
Air Trap Hose F200163	21

B

Balance Switch Bracket F601750	23
Ball Valve F380634	59
Basket Assembly F630764	31
F632403	31
Basket Pulley F150268	49
Basket Pulley Bushing F280294P	49
Battery F191101	9
Bearing Grease F210206P	67
Before Power Is Connected Tag F230501	7
Belt F200140400P	49
F280355	49
Bolt F0430539-00	23
Box F140413	53
F140432	61
Bushing F280233P	49
F421400	55
Buzzer F300203P	21
F300206	21

C

Cable F140245	61
Cable Assembly F604713	17
Cable Tie F140605	9, 49

F140606	9
Cage Wrap Assembly F632408	25
F633394	25
Canister Cover O-Ring F170218	63
Canister Stand Weldment F632693	63
Chemical Supply Cup F150385	35
F150386	35
Chemical Supply Hose F0150470-00	35
F150471	35
Circuit Breaker F350207P	61
F350210	17
F350211	17
Clockwise Spin Rotation Decal F230652	7, 27
Coil F380900	37
F380917	37
F8514601	41, 43, 55
F8514701	41, 43, 55
Cold Water Valve Decal F231368	7
Computer Cover F606826	9, 11
Concrete Hardware Kit 1113P	67
Conductor Decal F231146	7
Connector F140305	19
F140309	19
F140575P	17
F140576P	17
F140712	29
F422500	21
J1408004	49
Contact Base F8538101	11
Contact Block Switch F200233401	11
F200299500	9, 11
F340445	9, 11
Contact Switch F8069501	11
Contactoer F330175P	61
F330178P	15
F330187P	13, 53
F330188P	13, 53
Containment Device F0380809-00	45
Control Module Cover F634558	9, 11
Control Module Decal F230721	9
F231417	11

N/A items do not appear in index.

Control Module Sub-Assembly FUW100VV-MDL	11
Control Panel Sub-Assembly F634278	61
Cover F140433	51
Cover Assembly F630300	63

D

DIN Coil F380986P	41, 43, 55
F380987P	41, 43, 55
DIN Harness Assembly F141901P	41, 43
DIN Valve Adapter Kit F8382301	41, 43, 55
DIN Valve Kit F8521501	55
F8521601	55
F8521801	41, 43, 55
Disconnect Power Warning Label 505281	7, 9, 11
Dispenser Assembly F0150512-00P	35
Dispenser Lid F0150514-00	35
Do Not Climb Caution Decal F231418	57
Do Not Obstruct Decal F231419	57
Do Not Push Decal F230302	7, 25
Door Assembly F200119601	27
Door Box F607202	29
Door Box Assembly F604888	29
F604888-1	29
Door Box Mounting Plate Kit F746806	29
Door Bumper Bushing F430416	27
Door Bumper Moulding F150366	27
Door Butt Shim F0610695-00	27
Door Gasket F017014501	27
F170145	27
Door Glass Gasket F170117	27
Door Glass Kit F290200P	27
Door Glass Retainer F601239	27
Door Handle Casting F150203	29
Door Hinge Pin F601815	27

Door Hinge Strap F200030600	27
Door Hinge Strap Kit F200030600P	27
Door Kit F730307	27
F730540	27
Door Latch Bracket Shim F602058	29
Door Lock Solenoid F300118P	29
F300129P	29
Drain Canister Weldment F632355	63
Drain Hose F150437	47
F150442	47, 59, 63
F200165100	47
Drain Valve F038062800	47
F380631	63
Drain Valve Bracket F634274	57
Drain Valve Cover F200133600	47
Drain Valve Kit F200166402	47
Drain Valve Motor F380932P	47
F380933P	47
Draw Latch F432201	63
Drip Rail F150364	33

E

Elbow F420509	41, 43
F421108	55
F422319	27
F422900	59
70079601	55
Emergency Stop Button Kit F200233700P	9, 11
Emergency Stop Decal F231083	9, 11
Emergency Stop Pushbutton F200233500	11
Extension Arm Assembly F8062001	29
Extension Arm Tab F601639	29
External Supply Box F633434	9
External Supply Box Cover F633435	9, 11
External Supply Connection Decal F230764-3	7, 21
F230764-6	7, 21
External Supply Control Decal F230606	21

N/A items do not appear in index.

External Supply Fuse Decal F231271	21
Extrusion Insert F150397	25

F

Face Seal F8161901	33
F8162001	33
Filter F200318900P	51
Filter Basket Weldment F630298	63
Filter Retainer Guard F220900	51
Flange Mount Relay F0330289-00	61
Flange Relay F330227	13
F330230	13
Frame Assembly F630821	33
F632394	33
Front Bearing Kit F798831-00	49
Fuse F350108	13, 15
F350109	13, 15
F350110	13, 15
F350115	17, 21
Fuse Holder F0350312-10	21
F350304P	17

G

Gasket F170402P	51
Gate Valve F380500	41, 63
Glass F290201P	27
Grease Fitting F190701	49
Grease Gun F210207P	67
Grease Gun Kit F798700	67
Grease Manifold F320326	49
Ground Decal F230630	19
F230739	61
Ground Terminal Lug F140734	19

H

Handle Spacer F609822	29
--------------------------------	----

Heating Element F360203P	53
Hex Bit F704906	65
HIM Drive F370851P	67
F798751	67
Hose F200104P	41
Hose Adapter F421909	41, 43
Hose Barb F421929	33, 47
F421951	41
Hose Clamp F200201	47, 59
F200206	41
F200213	35, 47, 57
F200215	21, 47, 57, 63
F200222	21, 41
36801	33, 37, 39, 47
Hose Connector F200302	37, 39
Hose Strap F605324	25
Hot Surface Warning Decal F200085000	7
F231380	7
Hot Water Valve Decal F231367	7

I

Injection Nozzle F8322001	35
Injection Nozzle Kit F730168	35
Input Power Block F140746	53
F140747	19
Input Power Connector Decal F230677	19
Insulator Bushing F140909	19, 21
Interlock Switch F340900	23, 29
Inverter Drive F037083500	51
F370815	51
F370818	51
F370838	51

J

Jumper Kit F784003P	13
------------------------------	----

K

Keymode Run/Program Switch F340800P	17
--	----

N/A items do not appear in index.

Keypad	
F370576P	11
Keypad Decal	
F230724P	9

L

Light	
F350412	17
F350414	17
Lower Door Latch Bracket Casting	
F150202	29
Lower Door Latch Casting	
F150204	29
Lubrication Instruction Decal	
F230745	49

M

Magnet	
F8390801	29
Magnetic Switch Assembly	
F200321200	29
Main Drive Kit	
F380918	47
Manual Bearing Greasing Retrofit Kit	
F745401	49
Microswitch	
F340906	29
Momentary Switch	
F340412	9, 11
Motor	
F220216M	49
F220216UP	49
F220236P	49
F220237P	49
Motor Bushing	
F280242	49
Motor Pulley	
F280295	49
Mounting Bolt Kit	
F730055-1	67
Mounting Panel Assembly	
F608385	9
Muffin Fan	
F110105	51
F110106	51

N

Nipple	
F420101	41
F420105	41, 43
F420107	41, 43
F421915	63
Nut	
F0431807-00	25
F430205	23, 33, 49
F430211	25, 31
F430215	25, 51, 53
F430231	9, 11, 13, 17, 29, 51, 61

F430233	57, 61
F430239	57
F430264	25
F431000	9, 11
F431002	29
F431005	27, 29
F431006	19
F431017	21
F431022	9, 15, 17, 19, 21, 27, 31, 61
F431024	63
F431042	35
F431800	21
F432212	51
F8549401	27, 29, 57
H88412101	23
685846	51
70142	33
802292	35

O

O-Ring	
F0170221-00	45
F170200	27
F170208	35
F170215	35
Output Board VCMP Assembly	
F8206501P	15
Output CCA	
F0370444-10P	13
F8321901P	13
Overflow Hose	
F150308	59
Overflow Plug	
F150352	47, 63

P

Personal Injury Warning Decal	
F231065	7, 17
Pin	
F430415	25
Pipe	
F0602364-04	59
F0602364-25	47
F0602365-07	47
F0602365-08	47
F0602365-09	47
F0602365-14	47
F0602365-24	47
F0602365-27	47
Pipe Nipple	
70435601	55
Plate Assembly	
F632290	51
Plug	
F140527	19
F200202600	55
F420408	41
F420409	55
Plug Cap	
F190304	35
Pop Rivet	
F431210	27, 33, 47

N/A items do not appear in index.

Program Key	
F370709	17
Pulley	
F280181	49
F280412	49
Pump	
F270102P	59, 63
Pump B Harness Assembly	
F141876	61
Pump Sub-Assembly	
F634672P	57
Push Decal	
F230303	27
Push Handle Kit	
F746202-1	27

R

RC Network Filter	
F330217P	9, 11, 13, 15, 29
Rear Bearing Kit	
F745006	49
Rear Panel	
F633184P	25
Rebar Frame Kit	
F798772	67
Rebar Frame Template	
F601648	67
Reducer Bushing	
F421936	53
Relay CCA	
F370437P	61
Repair Kit	
F380965P	41, 43
Resistor	
F370117	21
Resistor Assembly	
F610765P	21
Reuse Control Enclosure Mounting Bracket	
F634191	57, 61
Reuse Drain Elbow	
F422914	57
Reuse Drain Reducer	
F422520	57
Reuse Drain Valve	
F380635P	57
Reuse Frame Assembly	
F634492	57
Reuse Inlet Hose	
F200505	57
Reuse Overflow Hose	
F150484	57
Reuse Pump Manifold	
F250707	59
Reuse Pump Motor Cable Assembly	
F140254	61
F140255	61
Reuse Pump Platform Assembly	
F634267	59
Reuse Tank	
F191007	57

Ribbon Cable	
F140218P	9
F140219P	9
F140223P	9
Ring Retainer	
F310206	27
Rub Rail	
F150409	25

S

Sandwich Mount	
F432219	51
Screw	
F0430272-00	65
F0430273-00	65
F0430274-00	65
F0430275-00	65
F430103	27
F430107	51, 53
F430168	29
F430500	31
F430502	27
F430903	63
F430909	29
F430910	21, 61
F430916	17, 21, 29, 51, 61
F430917	27, 29, 31, 35
F430920	21
F430921	25
F430923	63
F430924	33
F430925	49
F430927	29
F430928	9, 13, 15, 17, 19, 21, 29, 61
F430935	33, 51
F430938	19, 45, 53
F430939	63
F430948	37, 39
F430956	25
F430960	65
F430993	49
F430995	29
F430996	29, 57
F432259	65
F432260	65
F8136401	9, 11
M400056	57, 61
70240301	9, 11
800461	23
Scupper	
F150389	33, 47
Seal Alignment Fixture Assembly	
F200284800	67
Seal Kit	
F798827-00	33
Shaft Assembly	
F633430	67
Shaft Seal Alignment Fixture	
F0100314-00	67
Shell Assembly	
F632397-1	33, 53
F632397-3	33
F634471	33, 55
F634471-1	33

N/A items do not appear in index.

Shell Band Assembly		Strain Relief Connector	
F603910	31	F140224	51
F603911	31	F140328	61
Shell Band Gasket		F140329	19, 63
F170120RP	31	F140330	61
Shell Front Gasket Kit		F140331	51, 61
F8513501	51	F140340P	35
Shell Front Kit		Strainer	
F8011301P	31	F270200	37, 39
Shell Gasket Shield		Street Elbow	
F601216	31	F420500	41
Shell Mounting Bracket		F420502	41, 43
F601806	33	F421703	55
Shell Reinforcement Plate Assembly		F422304	63
F8084201	33, 47	Supply Dispenser Hazard Caution Decal	
Shell Weldment		F231436	7, 35
F630760-1	33, 53	Supply Dispenser Spacer	
F634485	33	F0150525-00	35
F634495	33, 55	Switch	
F634495-1	33	F340921	23
Side Panel		Switch Extension	
F632390	25	F340924	23
F632404P	25	Swivel Coupling	
Side Panel Bracket		F422108	27
F601982	25		
Side Panel Cover			
F607262	25		
Slinger			
F100204	33		
Soap Dispenser Hose			
F150309	47		
Soap Dispenser Shroud Weldment			
F8024301	35		
Spacer			
F431911	21		
Spanner Bit			
F704907	65		
Spray Rinse Bracket Assembly			
F602901P	27, 31		
Spray Rinse Hose Kit			
F730024	27		
Spray Rinse Nozzle Kit			
F730077	27		
Spray Rinse Strap			
F602880	27, 31		
Spray Rinse Tube Assembly			
F603696-5	27		
Squeeze Connector			
F140311	19		
Standoff			
F180506	15		
Steam Filter			
F270307	55		
Steam Hose			
F200153P	55		
Steam Injection Tube			
F603048	55		
Steam Injector Tube Assembly			
F603131	55		
Steam Valve Repair Kit			
F380984P	55		
Strain Relief Adapter Kit			
F749802	35		

T

Tank Drain Sub-Assembly	
F0637929-02	57
Tee	
F420402	41
F422801	47
F422803	47
Temperature Probe	
F370606P	23, 53
Terminal Block	
F140776	21
F140782	19
Terminal Strip	
F140738	17, 19, 21
This Machine Must Be Protected Decal	
F230301	7
Tie Wrap Mounting Clamp	
F140602	9
Top Cover Caution Decal	
F231420	57
Top Latch Bracket Casting	
F150201P	29
Torx Bit	
281P4	65
Transformer	
F200031100	51
F360125P	51
Transformer Adapter Plate	
F631276	51
Trim	
F170400RP	25, 35
Tube Connector	
F422106	43
F422515	59, 63
Tubing	
C000628P	49
F422404P	21

N/A items do not appear in index.

U

U-Bolt Clamp F200401P	41, 43, 55
--------------------------------	------------

V

Vacuum Breaker F380117	47, 57
Vacuum Breaker Cap F0380808-00	45
Vacuum Breaker Kit F0798922-00	45
Vacuum Breaker Valve F063754701P	41, 43, 45
Valve F8322801P	55
F8322802	55
F8322905P	41, 43
F8322909P	41, 43
Valve Kit F8379501	55
Valve Rebuild Kit F8379502	41, 43
Valve Repair Kit F380938	37
Valve Transition Kit F8456202P	41, 43
Valve, 4-Way F380715P	37
F380725P	37
F381723P	39
F381724P	39
V-Series Microcomputer Board Kit F370313-10P	11

W

Washer F430300	49
F430311	53
F430317	25, 31, 51
F430322	51
F431100	25, 27, 29, 51, 57
F431108	9, 11, 19, 29
F431112	33
F431113	9, 13, 15, 17, 21, 31, 61
F431116	33
F431118	29
F431123	9, 11
F431125	9, 11
F431142	29
F431147	29, 35
F8195301	35
M400013	33
M400014	17, 23, 33, 49
M400081	23, 33, 49
20290	41
803615	41
Water Hose F200107P	33, 47
F200108P	41

F200110P	37, 39
F200164	41
F200166	41
Water Level Switch F0340346-10P	21
Water Level Switch Bracket F630242	21
Water Valve Assembly Decal F230754	37
Water Valve Repair Kit F380991P	41, 43
WE-6 Computer F037062441P	9
WE-6 Interface CCA Kit F0370446-21P	13
F370446-1P	13
Wire, 14 Gauge 45257	61

Y

Y Connector F422816	37, 39
------------------------------	--------

N/A items do not appear in index.

