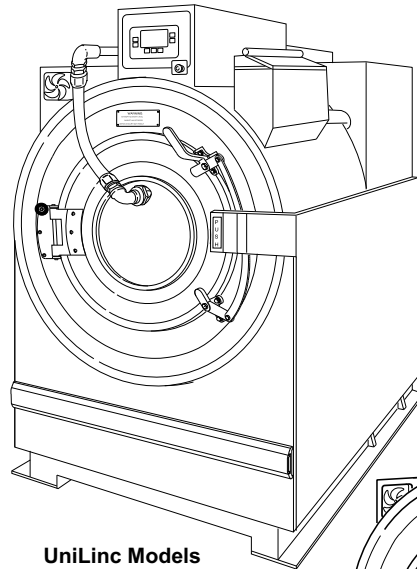


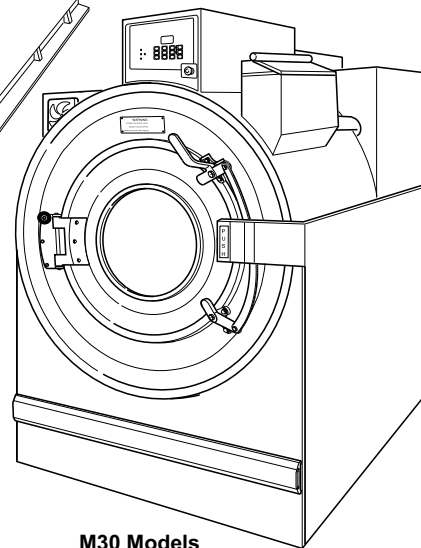
# Washer-Extractor

Pocket Hardmount

Refer to Page 3 for Model Numbers



UniLinc Models



M30 Models

PHM1419C\_F8149101



# Table of Contents

Title	Page
Parts Ordering Information.....	2
Serial Plate Location .....	2
Model Identification .....	3
Pocket Hardmount Washer-Extractor Product Overview - Model UW60TV .....	4
Pocket Hardmount Washer-Extractor Product Overview - UWL060, UWN060 and UWU060 Models .....	6
Control Module (Drawing 1 of 3) .....	8
Control Module (Drawing 2 of 3) .....	10
Control Module (Drawing 3 of 3) .....	12
AC Drive Box (Drawing 1 of 2).....	14
AC Drive Box (Drawing 2 of 2).....	16
Balance Switch, Temperature Probe and Rotation Sensor .....	18
Panels .....	20
Drive Box and Water Supply Box - Models Through 10/3/10.....	22
Drive Box and Water Supply Box - Models Starting 10/4/10.....	24
Door and Spray Tube Assembly - Models Through 10/3/10.....	26
Door and Spray Tube Assembly - Models Starting 10/4/10.....	28
Door Lock.....	30
Basket.....	32
Shell and Frame - Models Through 10/3/10 .....	34
Shell and Frame - Models Starting 10/4/10 .....	36
Supply Dispenser.....	38
Water Supply Valve and Hoses to Supply Dispenser - Models Through 10/3/10.....	40
Water Supply Valve and Hoses to Supply Dispenser - Models Starting 10/4/10.....	42
Spray and Fill Plumbing Assemblies - Models Through 10/3/10 (Drawing 1 of 2).....	44
Spray and Fill Plumbing Assemblies - Models Through 10/3/10 (Drawing 2 of 2).....	46
Fill Plumbing Assembly - Models Starting 10/4/10.....	48
Fill Plumbing Assembly - Models Through 10/3/10.....	50
Spray Plumbing Assembly - Models Starting 10/4/10.....	52
Drain - Models Through 10/3/10 .....	54
Drain - Models Starting 10/4/10 .....	56
Motor, Pulley and Bearings (Drawing 1 of 2) .....	58
Motor, Pulley and Bearings (Drawing 2 of 2) .....	60
Electric Heat Option .....	62
Steam Heat Option - Models Through 10/3/10 .....	64
Steam Heat Option - Models Starting 10/4/10 .....	66
Special Tools .....	68
Parts Index.....	71

© Copyright 2018, Alliance Laundry Systems LLC

All rights reserved. No part of the contents of this book may be reproduced or transmitted in any form or by any means without the expressed written consent of the publisher.

## Parts Ordering Information

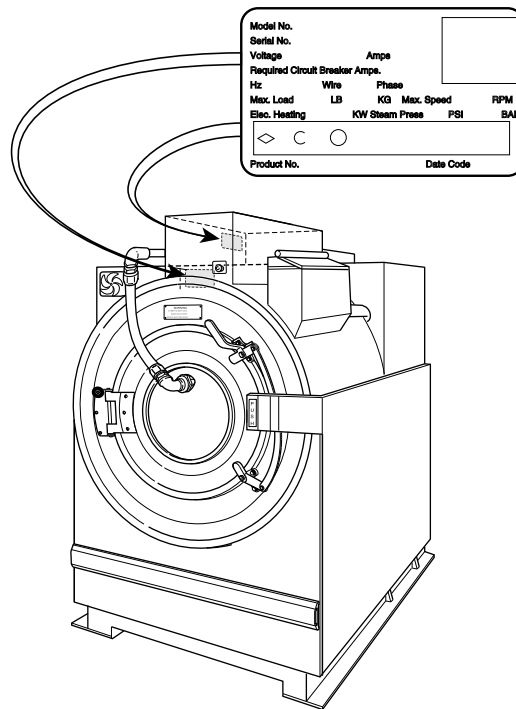
If literature or replacement parts are required, contact the source from whom the machine was purchased or contact Alliance Laundry Systems at (920) 748-3950 for the name and address of the nearest authorized parts distributor.

For technical assistance, call the number listed below:

(920) 748-3121 Ripon, Wisconsin

## Serial Plate Location

When calling or writing about your product, be sure to mention model and serial numbers. Model and serial numbers are located on serial plate(s) as shown.



PHM3110P\_F8149101

## Model Identification

Information in this manual is applicable to these washer-extractor models:

UW60TV

UWL060K12  
UWL060K1L  
UWL060K1M  
UWL060T3L  
UWL060T3M  
UWL060T3V

UWN060K12  
UWN060K1L  
UWN060K1M  
UWN060K1V  
UWN060T3L  
UWN060T3M  
UWN060T3V

UWU060K12  
UWU060K1L  
UWU060K1M  
UWU060T3L  
UWU060T3M  
UWU060T3V

# Pocket Hardmount Washer-Extractor Product Overview - Model UW60TV

Model No. **UW60AVXUB0001**

Serial No. **0000000000**

Voltage **200 – 240**      Amps **10**

Circuit Breaker **15 Amps**

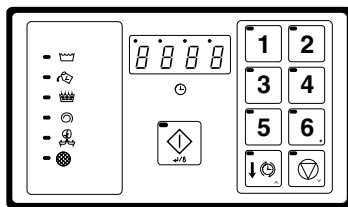
Hz **50 – 60**      Wire **2/3**      Phase **S 3**

Max. Load **60 LB**      **27 KG**      Max. Speed **594 RPM**

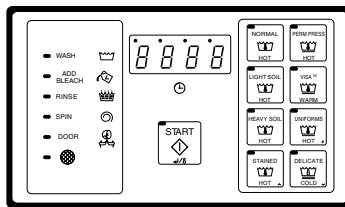
Elec. Heating **N/A**      Steam Press. **N/A PSI**      **0.0 BAR**

**Drawings:**

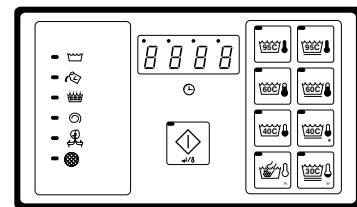
ETL Listed  
 Conforms To ANSI/UL Std. 1206, 3rd Ed  
 Certified To CAN/CSA Std. C22.2 No.53-1968



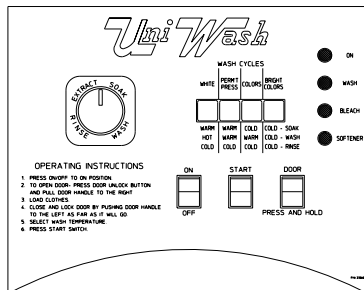
**A-Control**



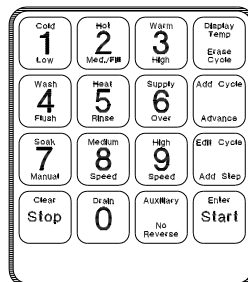
**B-Control (Domestic)**



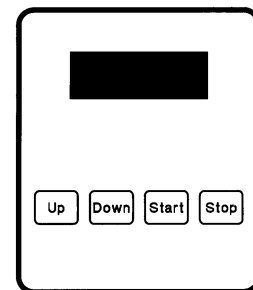
**B-Control (International)**



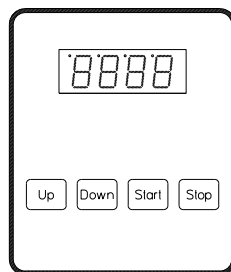
**Mechanical Timer**



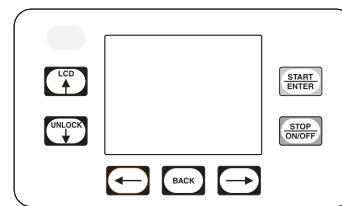
**WE-6 Control**



**S-Computer**



**V-Computer**



**UniLinc Control**

PHM2979P\_F8149101

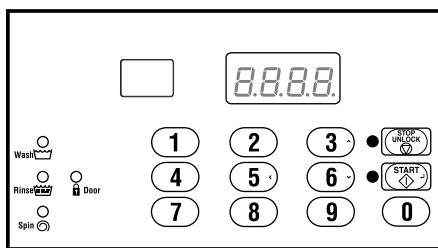
## Pocket Hardmount Washer-Extractor Product Overview - Model UW60TV

REF	PART NO.	DESCRIPTION	COMMENTS
1	-	Product Family	UW
2	-	Capacity (Pounds)	35 60 80 100 125 150
3	-	Control	A (A-Control) B (B-Control) M (Mechanical Timer) P (WE-6 Control) S (S-Computer) V (V-Computer) T (UniLinc Control)
4	-	Speed	2 (2-Speed) 3 (3-Speed) 4 (4-Speed) V (Variable-Speed)
5	-	Voltage	F (440-480/60/3/3) N (440-480/50-60/3/3) O (208-240/60/3/3) P (380-415/60-60/3/3) Q (200-208/220-240/50/60/3ph) R (380-415/440-480/50/60/3ph) X (200-220/220-240/50/60/1-3) Y (208-240/60/1/2)
6	-	OEM	U (Standard Specs)
7	-	Design Series	1-8

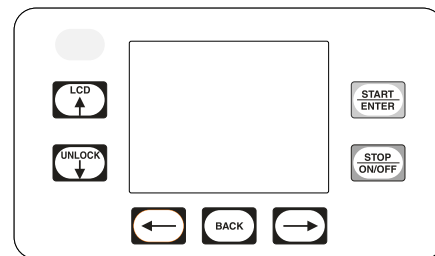
# Pocket Hardmount Washer-Extractor Product Overview - UWL060, UWN060 and UWU060 Models

Model No. **UWN060T3VXU1001**  
 Serial No. **00000000000**  
 Voltage **200 – 240** Hz **50-60** Phase **3**  
 Number of wires : **3** FLA : **19** amps  
 Circuit Breaker Size : **30** amps  
 Max. Load : **60** LB **27** KG  
 Schematic :  
 Supply Water: **30 - 85** psi, **2 - 5.7** BAR

**Alliance**  
Laundry Systems



M30 Control



UniLinc Control

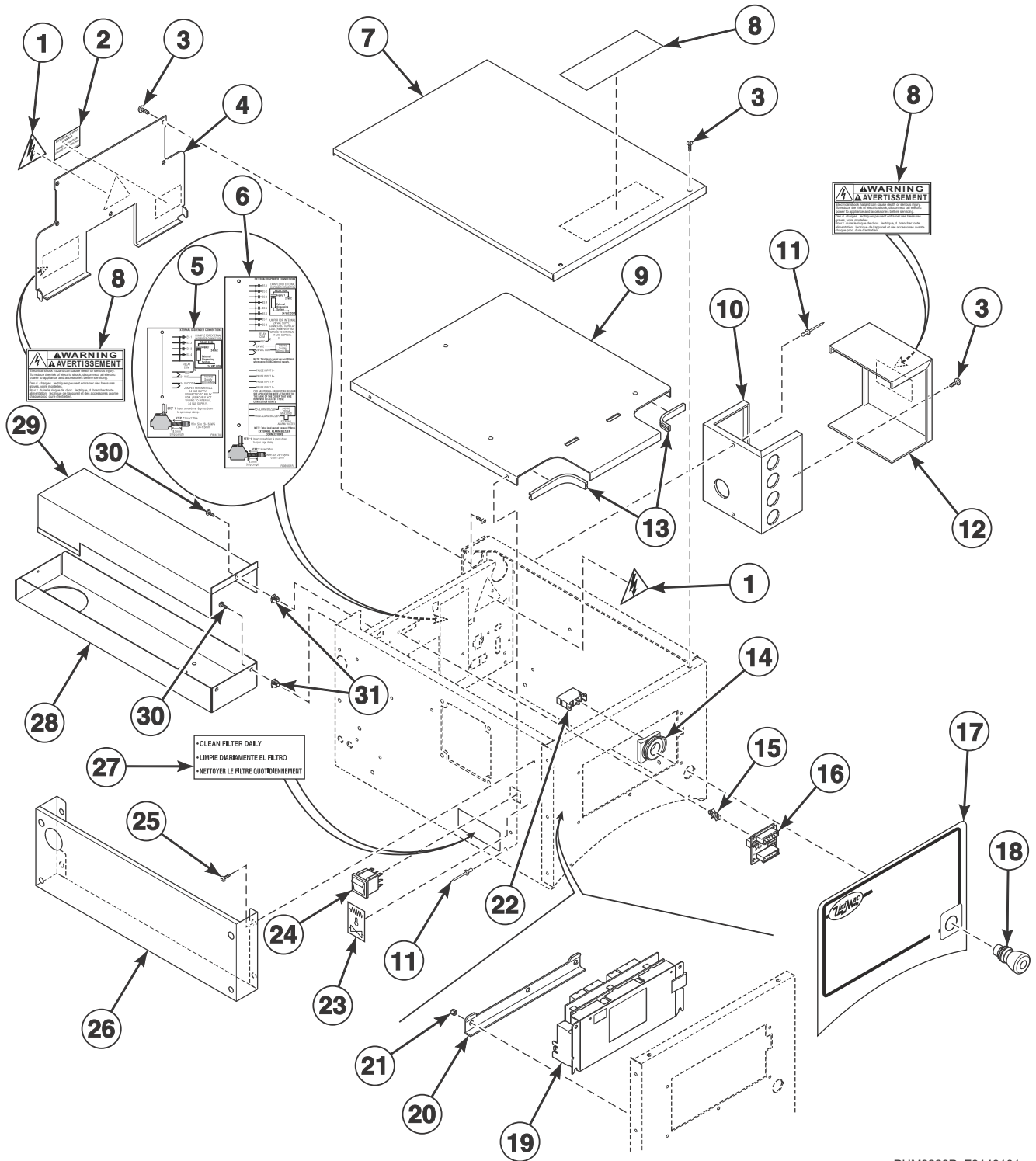
PHM3063P\_F8149101



## Pocket Hardmount Washer-Extractor Product Overview - UWL060, UWN060 and UWU060 Models

REF	PART NO.	DESCRIPTION	COMMENTS
1	-	Product Family	UW
2	-	Market Approvals	N (Domestic ETL) L (International ETL) U (International CE)
3	-	Capacity (Dry Weight in Pounds)	035 060 080 100 125 150
4	-	Control	K (M30 Control) T (UniLinc Control)
5	-	Spray/Dispenser Feature	1 (No spray but with dispenser) 3 (With spray and dispenser)
6	-	Speed	2 (2-Speed) L (Low-Speed - 100/60) M (Medium-Speed - 180/120/60) V (Variable-Speed - 300/240/180/120/60)
7	-	Voltage	O (208/220-240/60/3/3) X (200-208/220/240/50/60/1/3) Q (200-208/220-240/50/60/3) R (380-415/440-480/50/60/3)
8	-	OEM	U
9	-	Design Series	1
10	-	Heat Feature	0 (Prep for steam) D (Direct steam) E (Electric heat) P (Prep for electric and steam heat)
11	-	Features and Options	

# Control Module (Drawing 1 of 3)

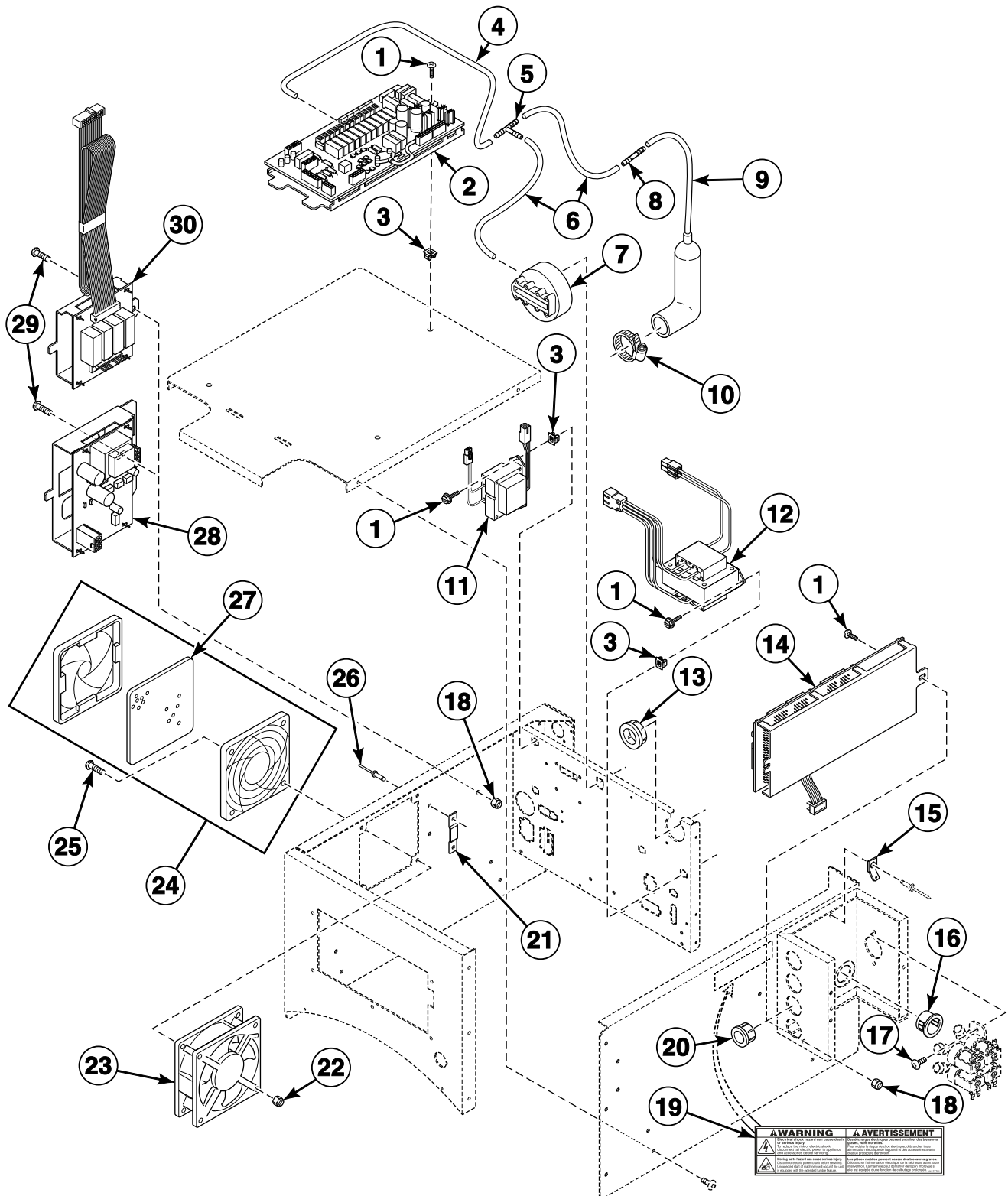


PHM3229P\_F8149101

## Control Module (Drawing 1 of 3)

REF	PART NO.	DESCRIPTION	COMMENTS
	F8028701	Output/Logic Harness	
1	D502511	Electrical Shock Label	
2	F8150201	External Supply Connection Decal	
3	F430174	Screw	
4	F8170501	Control Box Rear Panel	
5	F8161701	External Supply Label	Models with a K in the 7th position
6	F8059801	External Supply Connection Decal	Model UW60TV and models with a T in the 7th position
7	F8170601	Control Box Top Panel	
8	F8233501	Warning Label	Shock
9	F8055001	Control Box Contactor Panel	
10	F8055301	External Supply Box	Models through 10/3/10
11	F431210	Pop Rivet	Models through 10/3/10
12	F635365	External Supply Box Cover	Models through 10/3/10
13	F8152701	Trim	
14	F200233401P	Contact Block Switch	Includes item 22 and F8538101 Contact Base
	F8538101	Contact Base	
	F8060501	Emergency Stop Harness	
15	210098	PC Board Standoff	Network models
16	210095P	Communication Board	Network models
	NK205	Network Retrofit Kit	Includes item 15, 203028 Network Board Assembly, 210099 Communication Connector, 430497 Screw, 44088501 Network Wire Harness Assembly and 800246 Communication Wire Harness Assembly
	NK220	Network Controller Kit	Network models
	NK301	Wireless Network Kit	Includes 202335 Wireless Transceiver Assembly, 44088501 Network Wire Harness Assembly, 501441 Electronic Control Shield, 55881 Harness Strap, 503661 Screw, F430903 Screw and F430232 Nut
	NK320	Ethernet Gateway Kit	Used with NK301 Wireless Network Kit
	NK330	USB Gateway Kit	Used with NK301 Wireless Network Kit
17	F8297101	Overlay	Models with a K in the 7th position
	F8427001	Control Module Decal	All other models
18	F200233500	Emergency Stop Pushbutton	
19	F983P3	Control Kit	Models with a K in the 7th position
	F982P3	Control Kit	All other models
20	F8036101	Control Board Bracket	
21	685846	Nut	
22	F8069501	Contact Switch	
23	F8368301	Steam-Electric Switch Label	Dual heat
24	F8367701	Rocker Switch	Dual heat
25	F430903	Screw	
26	F8103001	Supply Controls Bracket	Models through 6/30/08
27	F200061000	Clean Filter Daily Decal	
28	F8073002	Control Harness Tray	Models through 10/3/10
	F8290303	Control Harness Tray	Models starting 10/4/10
29	F8073102	Harness Tray Cover	Models through 10/3/10
	F8290803	Harness Tray Cover	Model starting 10/4/10
30	F8117601	Screw	
31	70030501	Expansion Clip	

# Control Module (Drawing 2 of 3)

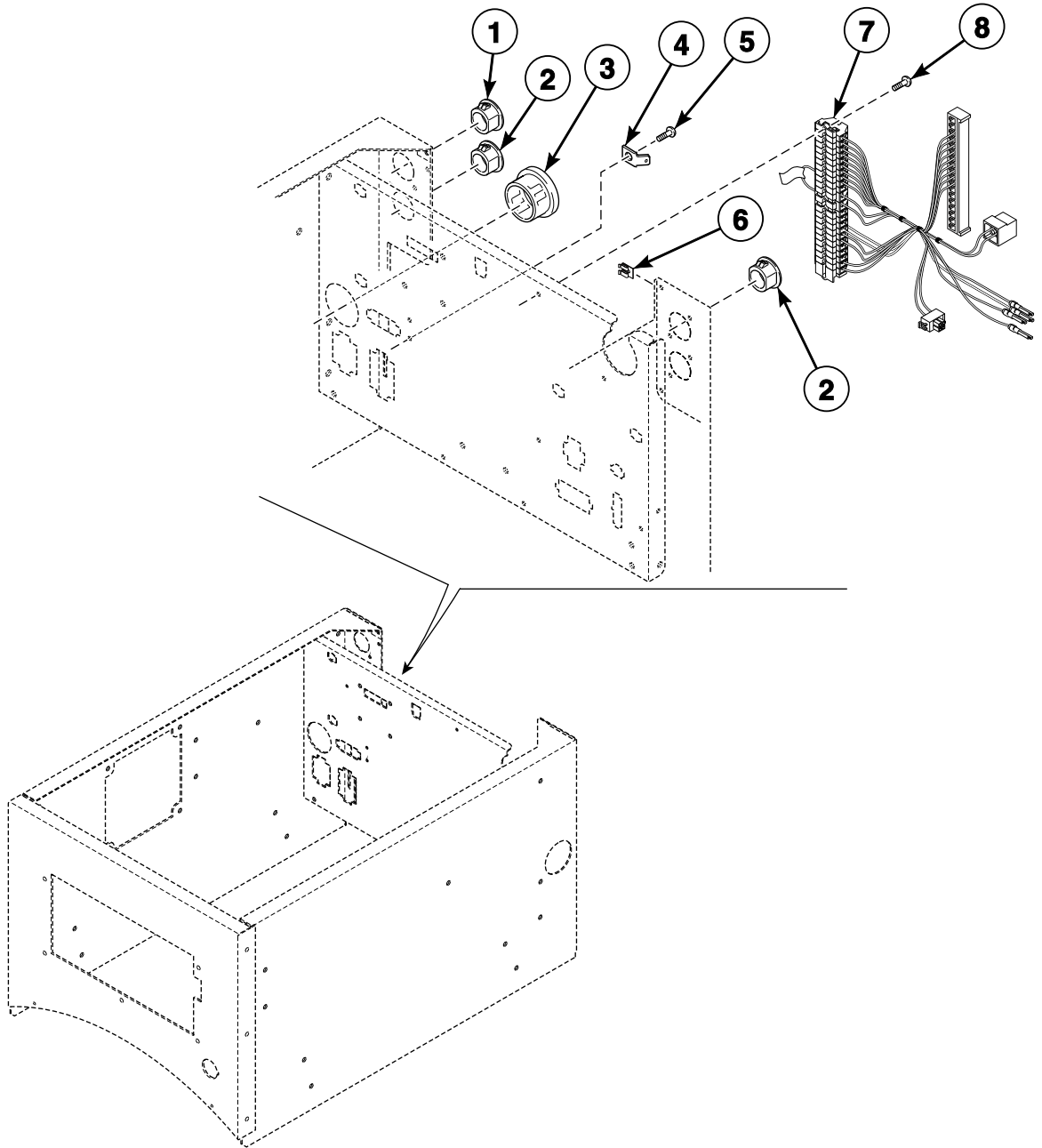


PHM3035P\_F8149101

## Control Module (Drawing 2 of 3)

REF	PART NO.	DESCRIPTION	COMMENTS
	F8028109	CFG Harness	
	44088501P	Network Wire Harness Assembly	
	F8028401	Output Auxiliary Power Harness	
	F8367801	Power Harness	Dual heat
	F8060401P	Power Harness	All other models
	F8173701P	Control Harness	Models with a 2 in the 9th position
	F8030101P	Drive Control Harness	Model UW60TV and models with an L, M or V in the 9th position
	F8158801P	Interlock Switch Harness	Models with a K in the 7th position
	F8030501P	Interlock Switch Harness	Model UW60TV and models with a T in the 7th position
	M413506	Jumper Harness Assembly	208 Volt
	M413507	Jumper Configuration Assembly	240 Volt
1	F8117601	Screw	
	F8206901	Screw	All other models
2	F980P3	Control Assembly Kit	
	802492	Fuse	5 Amp
	802493	Fuse	2.5 Amp
3	70030501	Expansion Clip	
4	F8153901	Tubing	
5	F8246601	Tee	
6	F8339601	Tubing	
7	F8223001P	Water Pressure Switch	
8	F422500	Connector	
9	F020014200	Air Trap Hose	
10	F200222	Hose Clamp	No. 12
11	201616P	Transformer	External supply
12	803527P	Transformer	Machine control voltage
13	70346501	Bushing	
14	F8108501P	Output Assembly	
15	00177	Male Tab Terminal	Models through 10/3/10
16	F430948	Screw	Models through 10/3/10
17	M405340	Snap Bushing	Models through 10/3/10
18	F430232	Nut	
19	44324001	Warning Label	Disconnect power
20	F140938	Snap Bushing	Models through 10/3/10
21	F8079401	Network Board Bracket	
22	F430231	Nut	
23	F110110	Muffin Fan	
24	F220900	Filter Retainer Guard	Includes item 25
25	F430910	Screw	
26	F431210	Pop Rivet	
27	F200318900P	Filter	
28	203028	Network Board Assembly	Network models
29	F430903	Screw	
30	F8189401P	Auxiliary Control Assembly	Models with a K in the 7th position

# Control Module (Drawing 3 of 3)

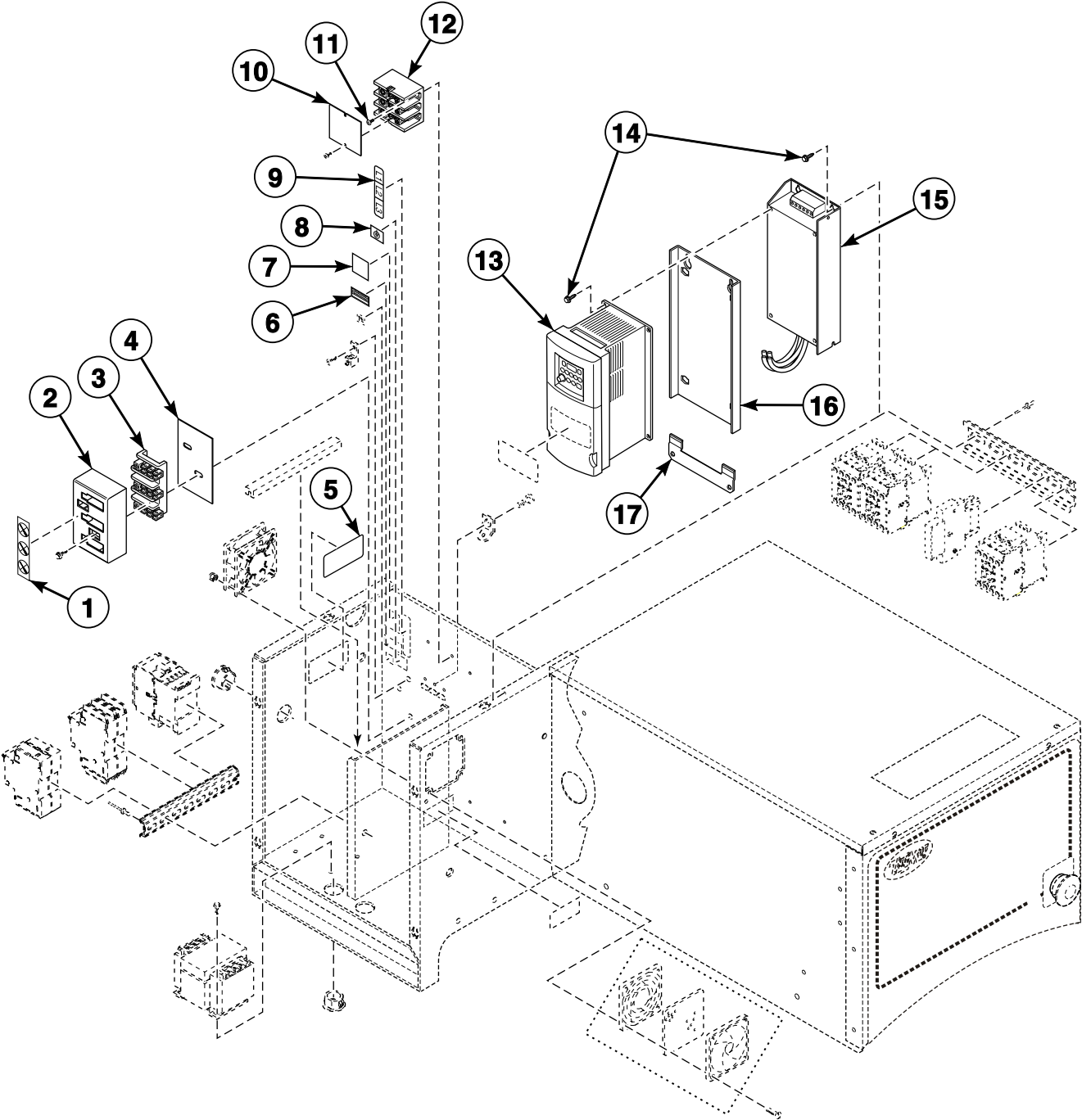


PHM3111P\_F8149101

## Control Module (Drawing 3 of 3)

REF	PART NO.	DESCRIPTION	COMMENTS
1	F180486	Cap Plug	Model UW60TV
	F8223901	Plug	All other models
2	F140527	Plug	Model UW60TV
	M400985	Plug	All other models
3	M402542	Snap Bushing	
4	00117	Female Pin Terminal	
5	51780	Screw	
6	M400984	Clip	
7	F8191201P	External Supply Harness	Models with a K in the 7th position
	F8029501P	External Supply Harness	All other models
8	F8136601	Screw	

# AC Drive Box (Drawing 1 of 2)



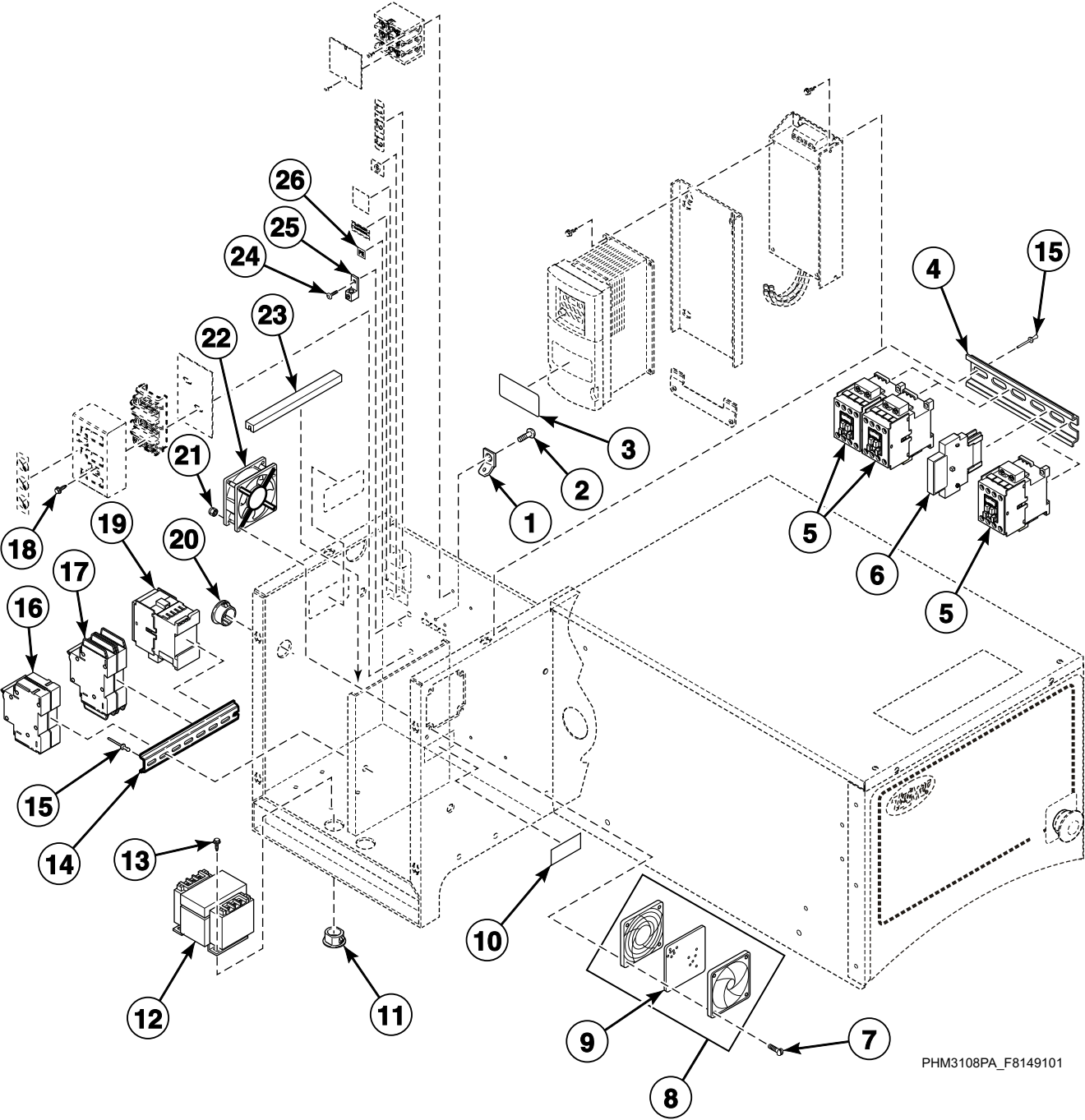
PHM3108P\_F8149101



## AC Drive Box (Drawing 1 of 2)

REF	PART NO.	DESCRIPTION	COMMENTS
	F8054601	Electric Heat Harness	Left
	F8054602	Electric Heat Harness	Middle
	F8054603	Electric Heat Harness	Right
	F8060001	Logic Supply Power Harness	
	F8060301	Main Power Harness	
	F8054901	Electric Heat Coils Harness	KM8A
	F8054903	Electric Heat Coils Harness	KM8ABL
<b>1</b>	F8345901	Do Not Tamper Label	
<b>2</b>	70333001	Terminal Block Shield	
<b>3</b>	430642	Terminal Block	
<b>4</b>	M413862	Insulator	
<b>5</b>	44324001	Warning Label	Shock/pinch
<b>6</b>	F8242201	Use Copper Conductors Only Caution Label	
<b>7</b>	F230630	Ground Decal	
<b>8</b>	F230739	Ground Decal	
<b>9</b>	70218701	Wire Label	
<b>10</b>	44014901P	Power Distribution Block Cover	Electric heat
<b>11</b>	39733	Screw	Electric heat
<b>12</b>	M413865	Power Distribution Block	Electric heat
<b>13</b>	F8169620	AC Drive	X and Q-voltage; Model UW60TV and models with a V in the 9th position; Use with F8356401 Motor Kit and F8054101 Motor
	F8169603	AC Drive	X and Q-voltage; Model UW60TV and models with a V in the 9th position; Use with F8356401 Motor Kit and F8054101 Motor
	F8169660	AC Drive	X and Q-voltage; Model UW60TV and models with a V in the 9th position; Use with F8334601P Motor
	F8169604	AC Drive	R-voltage; Model UW60TV and models with a V in the 9th position
	F8169664	AC Drive	X and Q-voltage; Models with an M in the 9th position; Use with F8334601P Motor
	F8169661	AC Drive	R-voltage; Models with an M in the 9th position
	F8169665	AC Drive	X and Q-voltage; Models with an L in the 9th position; Use with F8334601P
	F8169619	AC Drive	X-voltage; Models with an M in the 9th position; Use with F8054101 Reliance/Allen-Bradley Motor
	F8027802	Drive Power Harness	Model UW60TV and models with an L, M or V in the 9th position
	F8030201P	Drive Control Harness	Model UW60TV and models with an L, M or V in the 9th position
<b>14</b>	M411072	Screw	
<b>15</b>	F8053901P	EMI Filter	CE models; Q and X-voltage; Model UW60TV and models with an L, M or V in the 9th position
	F8053902	EMI Filter	CE models; R-voltage; Model UW60TV and models with an L, M or V in the 9th position
	F8129001	EMI Filter Power Harness	Model UW60TV and models with an L, M or V in the 9th position
<b>16</b>	F8386901	Drive Mounting Bracket	Models starting 10/4/10; Used when filter (item 15) is not present
<b>17</b>	F8322402	Drive Bracket	Models starting 10/4/10

# AC Drive Box (Drawing 2 of 2)

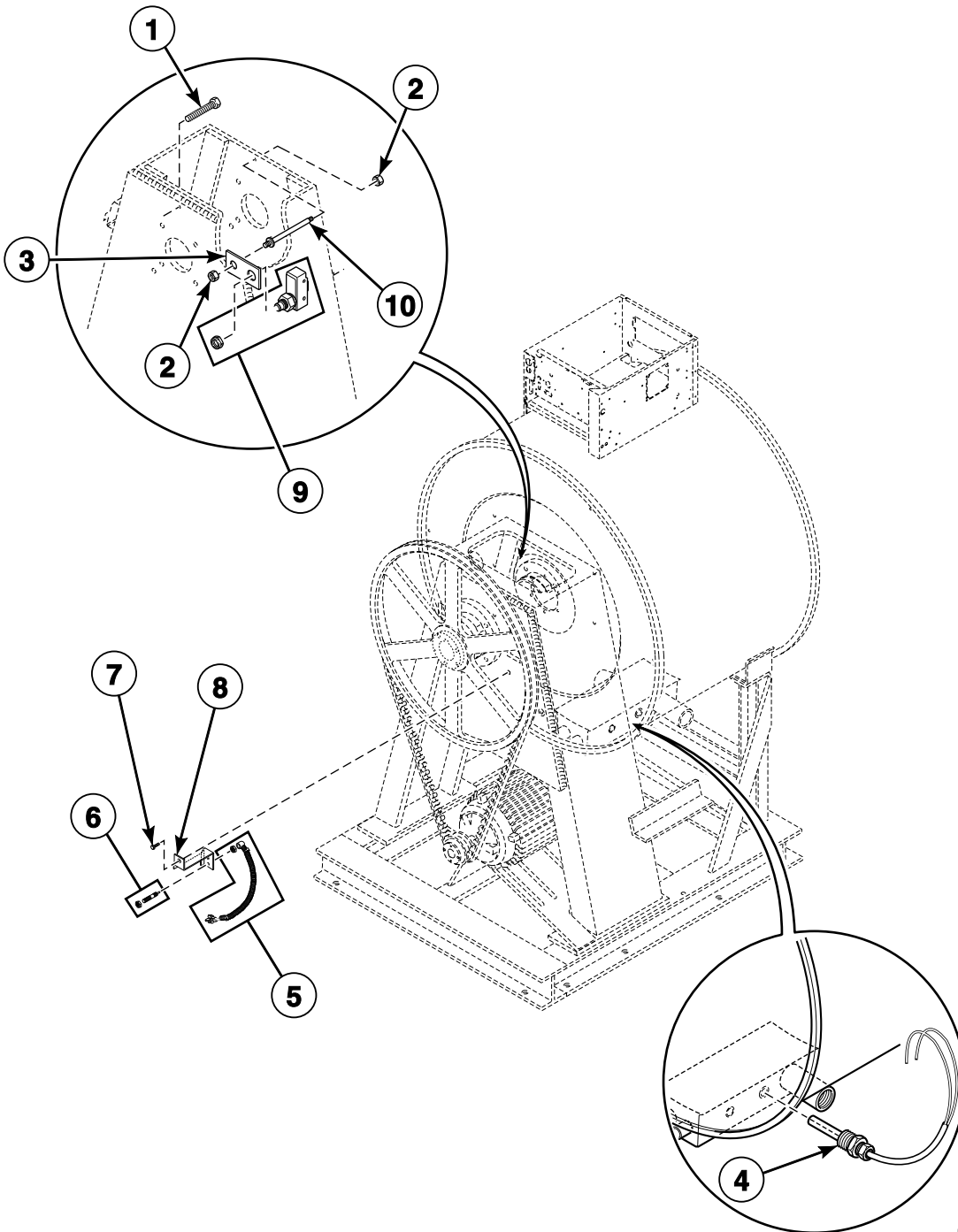


PHM3108PA\_F8149101

## AC Drive Box (Drawing 2 of 2)

REF	PART NO.	DESCRIPTION	COMMENTS
1	M411283	Ground Lug Connector	
2	F430903	Screw	
3	F8115501	Electric Shock Danger Label	
4	F8200101	DIN Rail	Models with a 2 in the 9th position
5	F330177P	Contactor	C16; Models with a 2 in the 9th position
	44136801	Reversing Contactor Jumper Assembly	Upper; Models with a 2 in the 9th position
	F8131801	Reversing Contactor Harness	Lower; Models with a 2 in the 9th position
	F8202001P	Contactor Power Harness	Models with a 2 in the 9th position
6	F330186P	Interlock Contactor	Models with a 2 in the 9th position
7	F8151201	Screw	Model UW60TV and models with an L, M or V in the 9th position
8	F220900	Filter Retainer Guard	Includes item 9; Model UW60TV and models with an L, M or V in the 9th position
9	F200318900P	Filter	Model UW60TV and models with an L, M or V in the 9th position
10	F200061000	Clean Filter Daily Decal	
11	F8144101	Plug	Model UW60TV
	F8223901	Plug	All other models
12	F360157P	Transformer	R-voltage; Model UW60TV and models with an L, M or V in the 9th position
13	M411072	Screw	Model UW60TV and models with an L, M or V in the 9th position
14	F8134001	DIN Rail	Model UW60TV and models with an L, M or V in the 9th position
15	70058501	Pop Rivet	
16	F8303001P	Circuit Breaker	R-voltage; Electric heat; Model UW60TV and models with an L, M or V in the 9th position
	70256901P	Circuit Breaker	Q and R-voltage; Electric heat; Model UW60TV and models with an L, M or V in the 9th position
	F8030001	Harness	Used with F350216 Circuit Breaker; Model UW60TV and models with an L, M or V in the 9th position
	F8030002P	Harness	Used with F350216 Circuit Breaker; Model UW60TV and models with an L, M or V in the 9th position
	F8405101	Step Down Power Harness	Used with 70256901P Circuit Breaker; Model UW60TV and models with an L, M or V in the 9th position
17	F8303001P	Circuit Breaker	R-voltage; Model UW60TV and models with an L, M or V in the 9th position
18	M412105	Screw	Model UW60TV
	51783	Screw	All other models
19	F330188P	Contactor	NX208; Q and R-voltage; Electric heat; Model UW60TV and models with an L, M or V in the 9th position
20	M402542	Snap Bushing	Model UW60TV
	F8223801	Hole Plug	All other models
21	F430231	Nut	Model UW60TV and models with an L, M or V in the 9th position
22	F110110	Muffin Fan	Model UW60TV and models with an L, M or V in the 9th position
	F8113901	Drive Fan Harness	Model UW60TV and models with an L, M or V in the 9th position
23	F8152703	Trim	
24	51780	Screw	
25	00177	Male Tab Terminal	
26	M412096	Earth Terminal Sticker	

# Balance Switch, Temperature Probe and Rotation Sensor

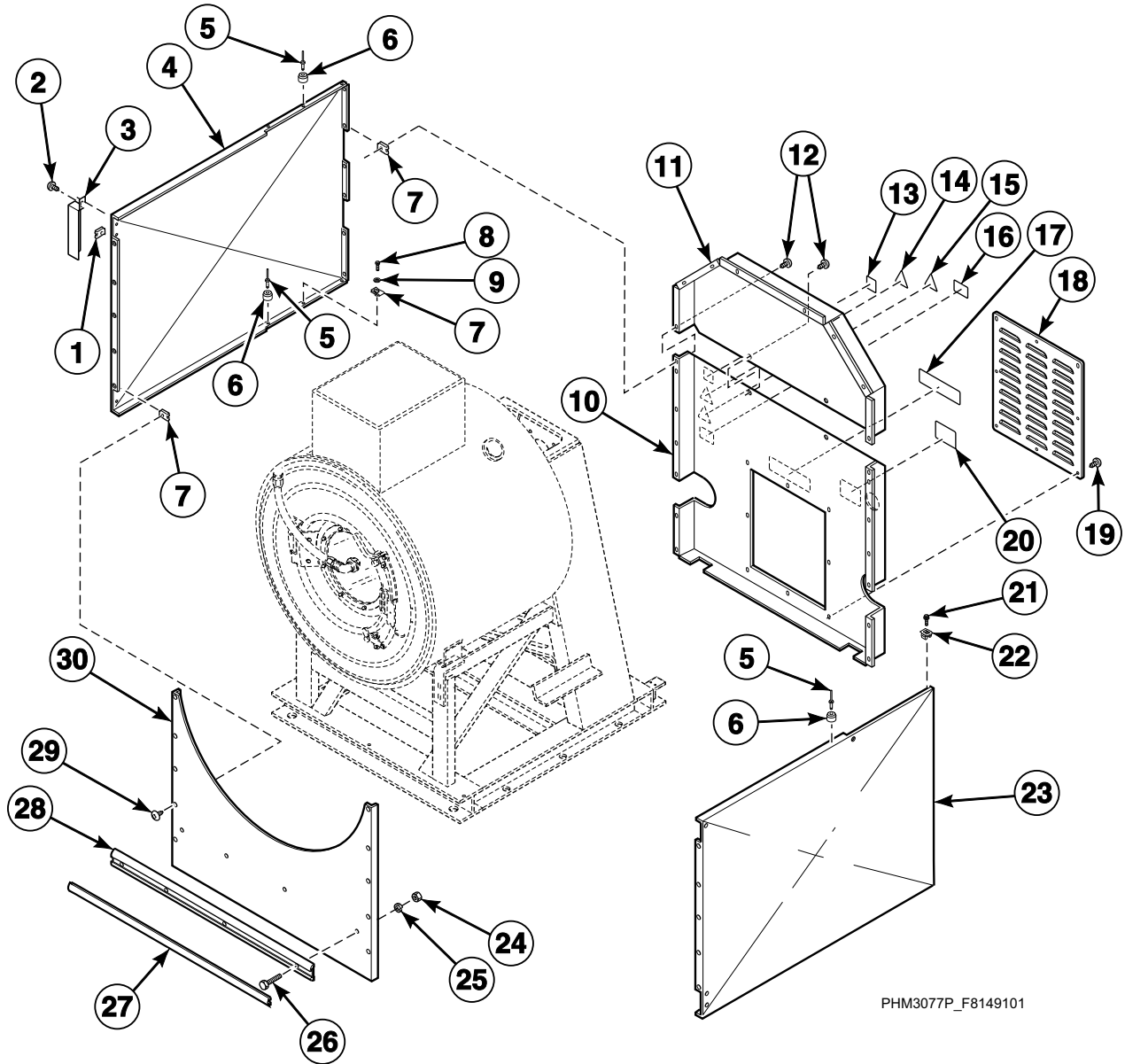


PHM2987P\_F8149101

## Balance Switch, Temperature Probe and Rotation Sensor

REF	PART NO.	DESCRIPTION	COMMENTS
1	F8111101	Screw	
2	44087301	Nut	
3	F8124301	Balance Switch Bracket	
4	F370609	Thermistor Sensor	
	F421936	Reducer Bushing	
	F8028221P	Temperature Harness	Electric heat
	F8028223	Temperature Harness	Standard
5	F8066401	Rotation Sensor Harness	
6	F8066201	Rotation Sensor	
7	F430927	Screw	
8	F8103101	Rotation Sensor Bracket	
9	F8165201	Door Switch	
10	F8122701	Screw	

# Panels

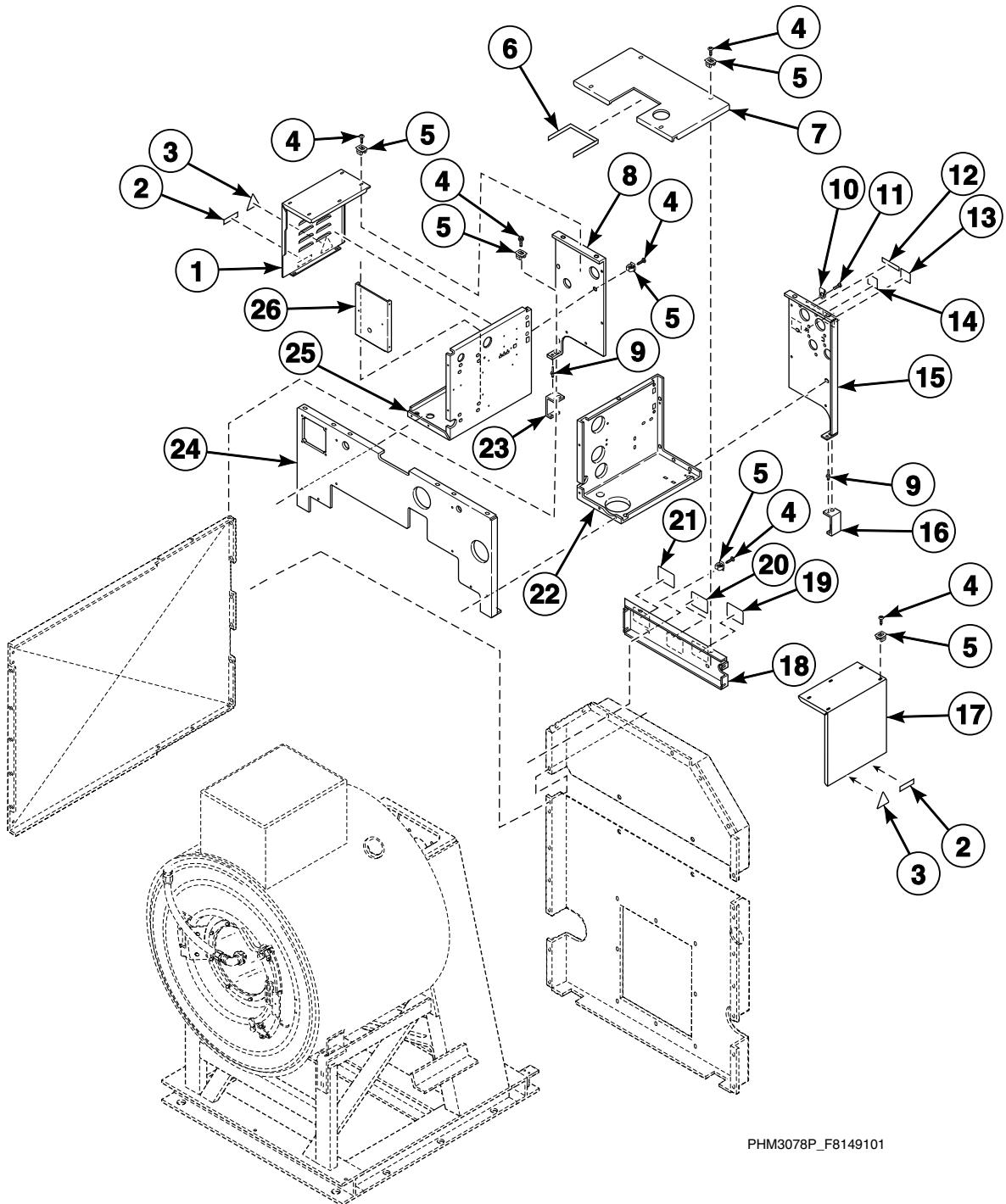


PHM3077P\_F8149101

# Panels

REF	PART NO.	DESCRIPTION	COMMENTS
1	F430264	Nut	
2	F430956	Screw	
3	F8098301	Side Panel Cover	
4	F8099602P	Left Side Panel	
5	M412763	Rivet	
6	56079	Panel Locator	
7	70030401	Nut	
8	20253	Screw	
9	M405535	Washer	
10	F8244201P	Belt Guard Assembly	Lower
11	F8244101	Belt Guard Assembly	Upper
12	F8117601	Screw	Model UW60TV
	F8206901	Screw	All other models
13	F200318200	Cover Decal	
14	70360901	Belt Edging Warning Label	
15	D502511	Electrical Shock Label	Model UW60TV
16	D500049	Warning Label	
17	44324001	Warning Label	Shock/pinch
18	F8117501	Belt Access Guard Panel	
19	70240301	Screw	
20	F8246401	Mount on Concrete Warning Label	
21	M411072	Screw	
22	70030501	Expansion Clip	
23	F8099601P	Right Side Panel	
24	F430211	Nut	
25	F431100	Washer	
26	F430921	Screw	
27	F150397	Extrusion Insert	Order 4 feet
28	F150408	Rub Rail	
29	70182601	Screw	
30	F8096101P	Front Panel	

# Drive Box and Water Supply Box - Models Through 10/3/10



PHM3078P\_F8149101



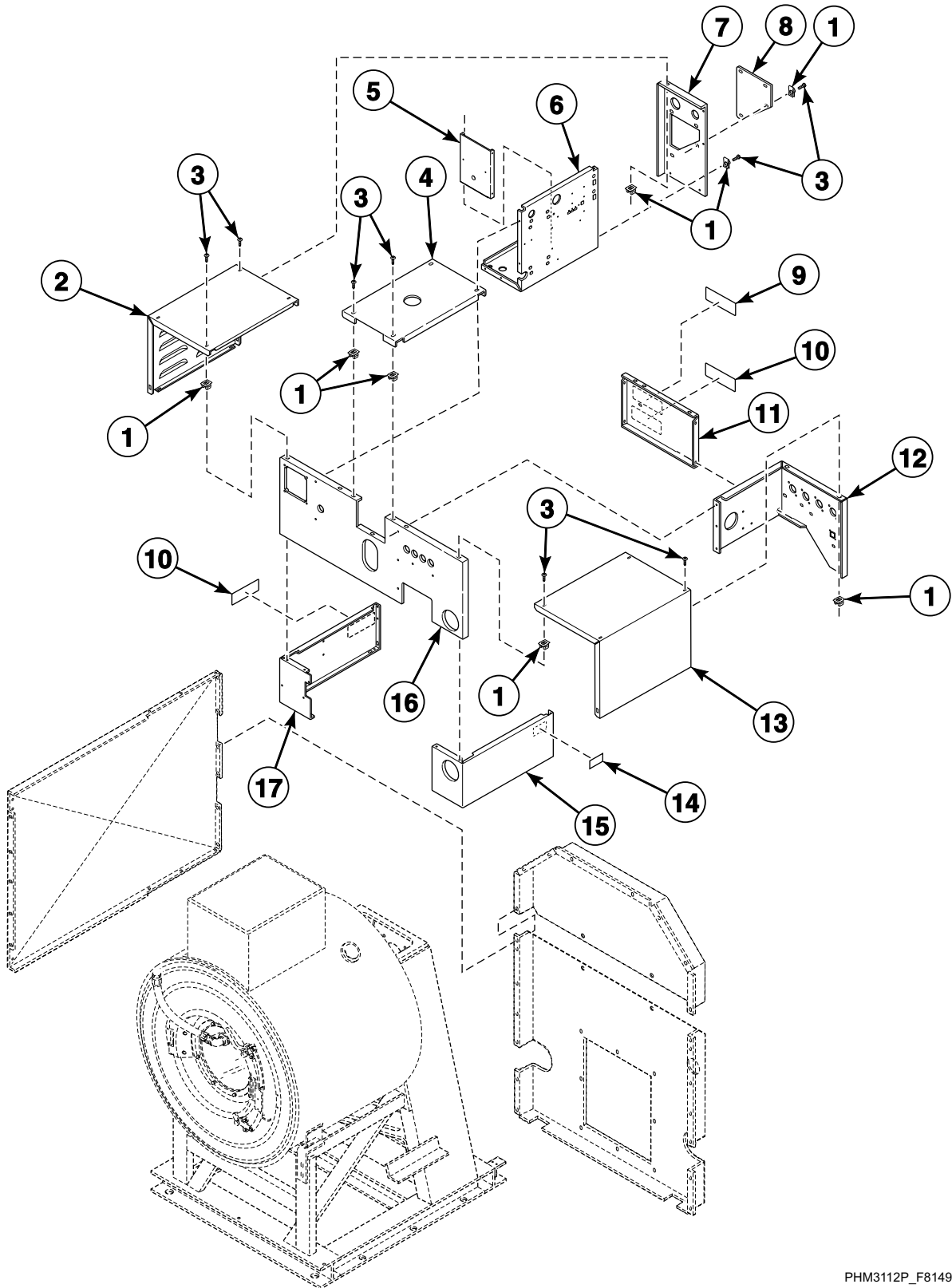
## Drive Box and Water Supply Box - Models Through 10/3/10

REF	PART NO.	DESCRIPTION	COMMENTS
1	F8077202	Left Side Cover	Model UW60TV
	F8278102	Left Side Cover	All other models
2	F8233501	Warning Label	Shock
3	D502511	Electrical Shock Label	Model UW60TV
4	F8117601	Screw	Model UW60TV
	F8206901	Screw	All other models
5	70030501	Expansion Clip	
6	F170404	Trim	Order 2 feet
7	F8099201	Top Center Panel	
8	F8118302	Rear Drive Box Panel	Model UW60TV
	F8278202	Drive Box Rear Panel	All other models
9	70058501	Pop Rivet	Models UWL060, UWN060 and UWU060
10	70030401	Nut	
11	20253	Screw	
12	F230734	Water Line Caution Decal	
13	N/A	Cold Water Label	
14	N/A	Hot Water Label	
15	F8118301	Rear Water Box Panel	Model UW60TV
	F8278201	Water Box Rear Panel	All other models
16	F8302601	Support Bracket	Water box; Models UWL060, UWN060 and UWU060
17	F8077201	Right Side Cover	Model UW60TV
	F8278101	Right Side Cover	All other models
18	F8099301	Top Support Brace	
19	F8099701	Conversion Label	200-208 VAC
	F8099801	Conversion Label	380-415 VAC
20	44324001	Warning Label	
21	F8614301	Hot Surface Warning Label	
22	F8078601	Water Box Side/Front	Model UW60TV
	F8278401	Water Box Bottom Panel	All other models
23	F8302602	Support Bracket	Electrical box; Models UWL060, UWN060 and UWU060
24	F8099401	Front Box Cover	Model UW60TV
	F8278301	Front Bulkhead Panel	All other models
25	F8077401	Control Box Bottom	Model UW60TV
	F8282401	Drive Box Bottom Panel	All other models
26	F8077601	Control Box Partition	

**N/A = Part no longer available**

# Drive Box and Water Supply Box - Models Starting 10/4/10

UWL, UWN and UWU Models

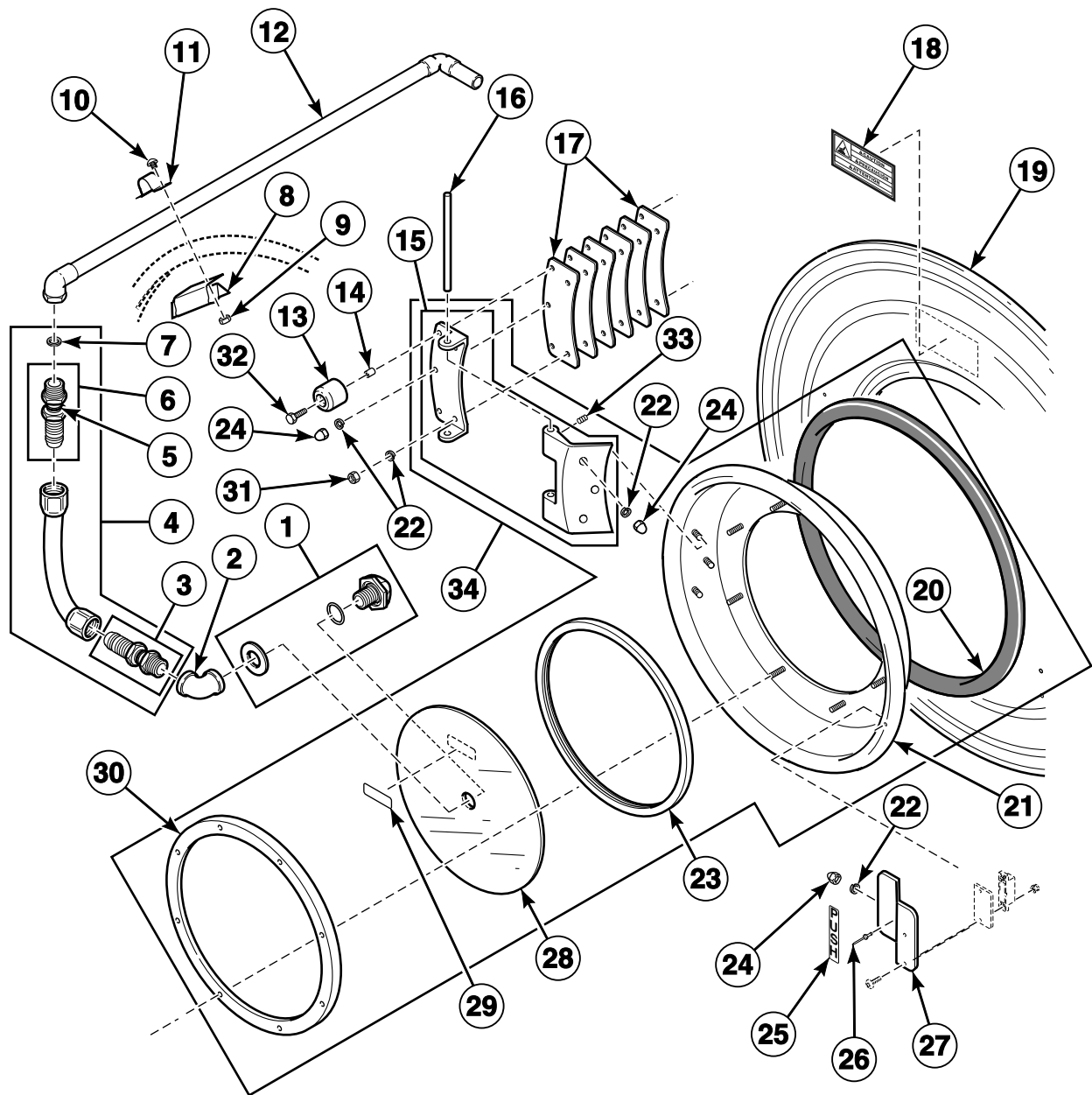


PHM3112P\_F8149101

## Drive Box and Water Supply Box - Models Starting 10/4/10

REF	PART NO.	DESCRIPTION	COMMENTS
1	70030501	Expansion Clip	
2	F8352602	Left Side Cover	
3	F8206901	Screw	
4	F8374101	Top Cover	
5	F8351801	Control Box Partition	
6	F8346401	Drive Mounting Box	
7	F8352401	Back Electrical Panel	
8	F8359201	Electrical Access Panel	
9	F8099701	Conversion Label	200-208 VAC
	F8099801	Conversion Label	380-415 VAC
10	44324001	Warning Label	
11	F8346501	Center Back Panel	
12	F8346301	Back Water Panel	
13	F8352601	Right Side Cover	
14	F8233501	Warning Label	Shock
15	F8359001	Side Water Box Panel	
16	F8346201	Front Bulkhead Panel	
17	F8352501	Side Electrical Panel	

# Door and Spray Tube Assembly - Models Through 10/3/10



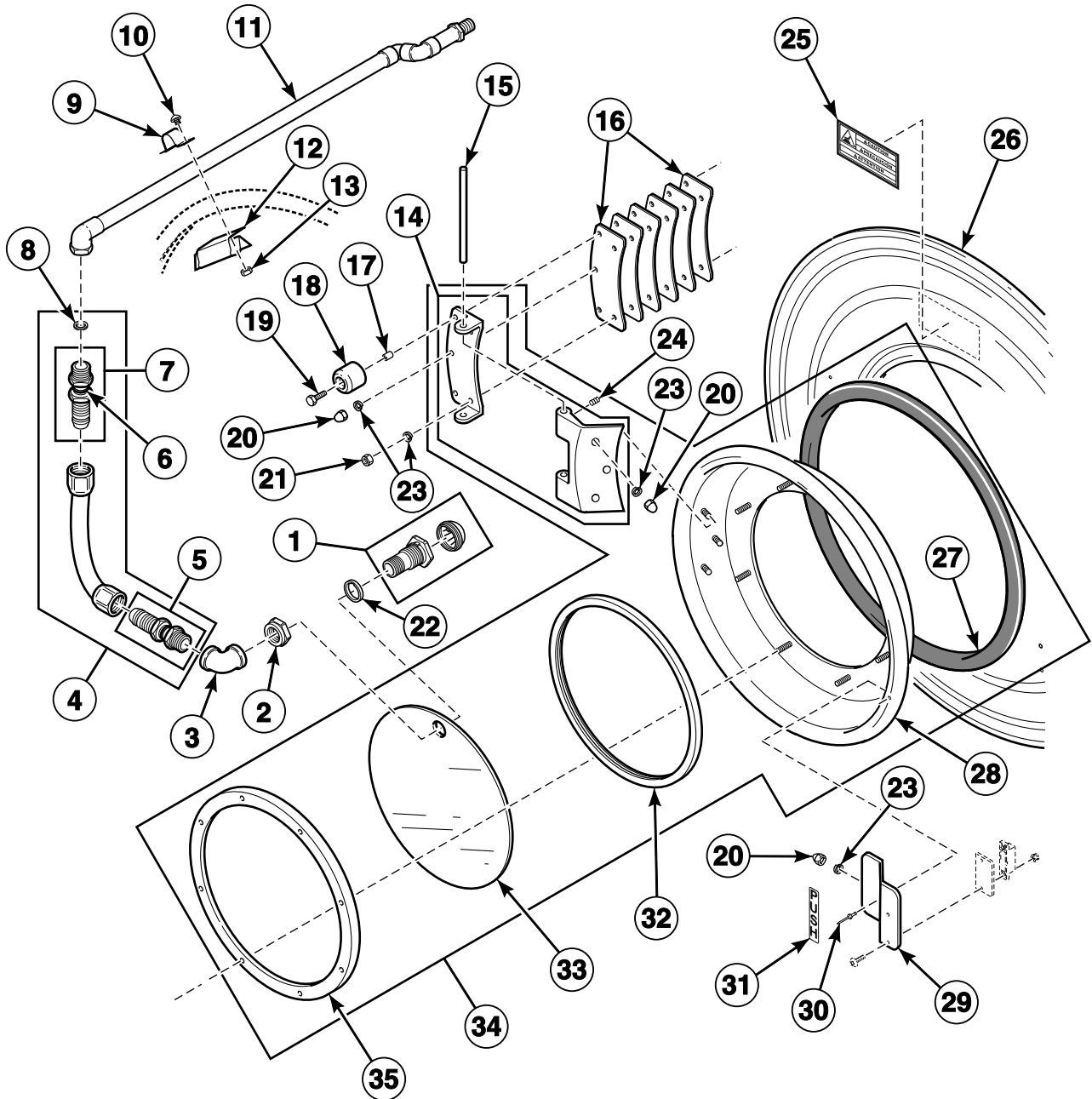
PHM2927P\_F8149101

# Door and Spray Tube Assembly - Models Through 10/3/10

REF	PART NO.	DESCRIPTION	COMMENTS
	F200119900P	Shell Front Assembly	Includes items 13, 14, 17-19, 22, 24, 31, F150201 Top Latch Bracket Casting, F150202 Lower Door Latch Bracket Casting, F430939 Screw, F200030700 Door Butt Hinge, F430317 Washer and F602058 Door Latch Bracket Shim
1	F730077	Spray Rinse Nozzle Kit	Model UW60TV and models with a 3 in the 8th position
2	F422319	Elbow	Model UW60TV and models with a 3 in the 8th position
3	F422109	No-Swivel Coupling	Model UW60TV and models with a 3 in the 8th position
4	F730026	Spray Rinse Hose Assembly	Includes items 3 and 5-7; Model UW60TV and models with a 3 in the 8th position
5	F170200	O-Ring	Model UW60TV and models with a 3 in the 8th position
6	F422108	Swivel Coupling	Model UW60TV and models with a 3 in the 8th position
7	F310206	Ring Retainer	Model UW60TV and models with a 3 in the 8th position
8	F602901P	Spray Rinse Bracket Assembly	Includes items 9 and 10; Model UW60TV and models with a 3 in the 8th position
9	F431022	Nut	Model UW60TV and models with a 3 in the 8th position
10	F430917	Screw	Model UW60TV and models with a 3 in the 8th position
11	F602880	Spray Rinse Strap	Model UW60TV and models with a 3 in the 8th position
12	F8126203	Spray Pipe Assembly	Model UW60TV and models with a 3 in the 8th position
13	F150366	Door Bumper Moulding	
14	F430416	Door Bumper Bushing	
15	F200030600P	Door Hinge Strap Kit	
16	F601815	Door Hinge Pin	
17	F0610695-00	Door Butt Shim	
18	F200085000	Hot Surface Warning Decal	
19	F8135801P	Shell Front Weldment	
20	F170145	Door Gasket	Black
	F017014501	Door Gasket	Gray
21	F730307	Door Kit	Studded
22	F431100	Washer	
23	F170117	Door Glass Gasket	
24	F8549401	Nut	
25	F230303	Push Decal	
26	F431210	Pop Rivet	
27	F746201-1	Push Handle Kit	Includes item 25, F340703 Magnet, F430231 Nut, F430916 Screw, F431108 Washer, F431125 Washer, F603683 Door Push Brace and F607257 Push Handle
	F609427	Handle Weldment	
28	F290201P	Glass	Models with a 1 in the 8th position
	F290200P	Door Glass Kit	All other models
29	F230652	Clockwise Spin Rotation Decal	
30	F601239	Door Glass Retainer	
31	F431005	Nut	
32	F430103	Screw	
33	F430502	Screw	
34	F730539	Door Kit	Includes items 15, 20-25, 27-30, 33, F410102 Clear Sealant, F340703 Magnet, F430232 Nut, F430909 Screw and F603683 Door Push Brace; Model UW60TV and models with a 3 in the 8th position
	F200119600	Door Assembly	Includes items 15, 20-25, 27-30, 33, F340703 Magnet, F430213 Nut, F430916 Screw, F430108 Washer, F431125 Washer and F431217 Rivet; All other models

# Door and Spray Tube Assembly - Models Starting 10/4/10

UWL, UWN and UWU Models

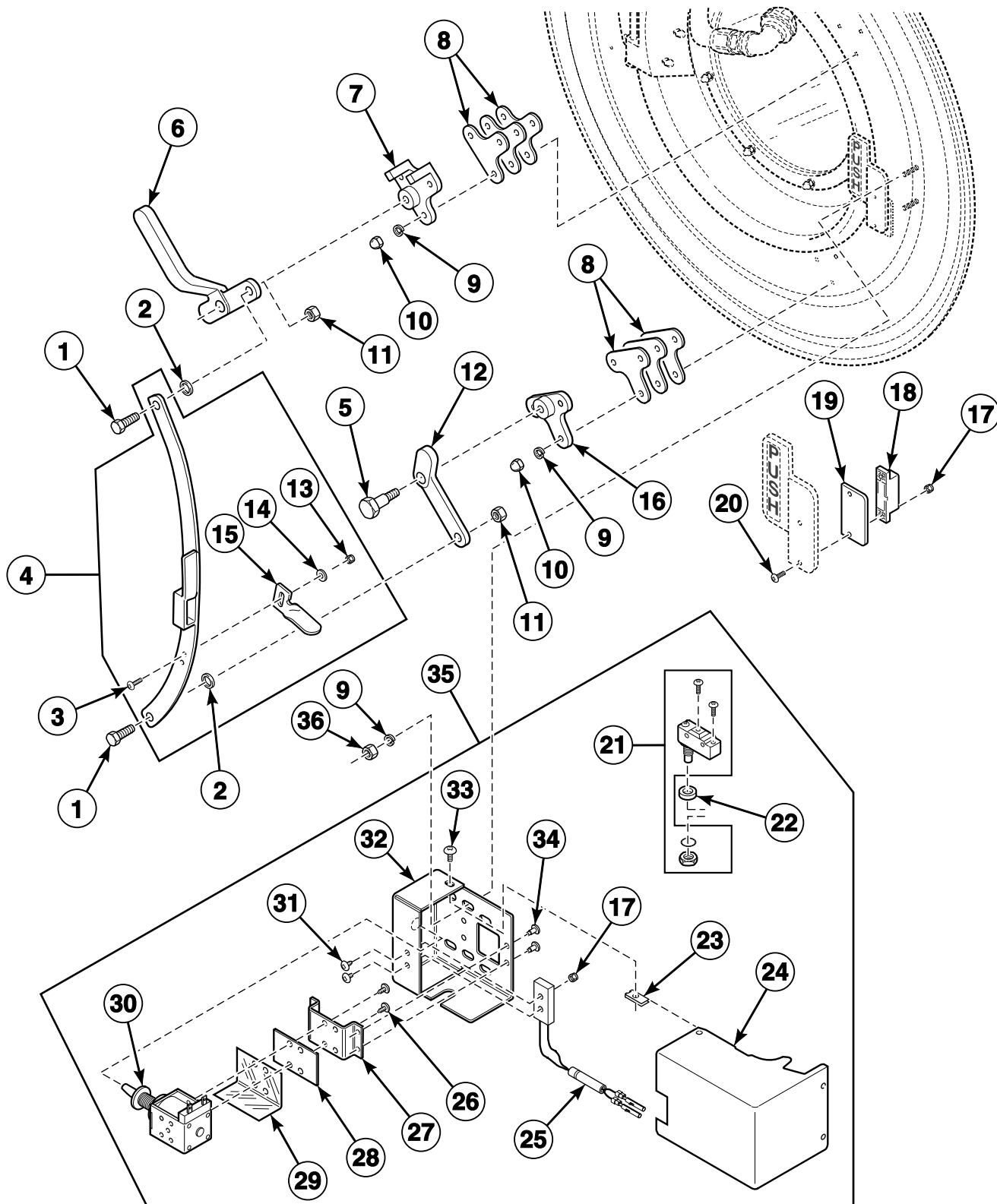


PHM3113P\_F8149101

## Door and Spray Tube Assembly - Models Starting 10/4/10

REF	PART NO.	DESCRIPTION	COMMENTS
	F200119900P	Shell Front Assembly	Includes items 16-18, 20, 21, 23, 25, 26, F150201 Top Latch Bracket Casting, F150202 Lower Door Latch Bracket Casting, F430939 Screw, F200030700 Door Butt Hinge, F430317 Washer and F602058 Door Latch Bracket Shim
1	F8356301	Door Spray Nozzle Assembly	Models with 3 in the 8th position
2	F8322601	Nut	Models with 3 in the 8th position
3	F422319	Elbow	Models with 3 in the 8th position
4	F8379701	Spray Rinse Hose Assembly	Includes items 5-8; Models with 3 in the 8th position
5	F422109	No-Swivel Coupling	Models with 3 in the 8th position
6	F170201	O-Ring	Models with 3 in the 8th position
7	F422108	Swivel Coupling	Models with 3 in the 8th position
8	F310206	Ring Retainer	Models with 3 in the 8th position
9	F602880	Spray Rinse Strap	Models with 3 in the 8th position
10	F430917	Screw	Models with 3 in the 8th position
11	F8126201	Spray Pipe Assembly	Models with 3 in the 8th position
12	F602901P	Spray Rinse Bracket Assembly	Includes items 10 and 13; Models with 3 in the 8th position
13	F431022	Nut	Models with 3 in the 8th position
14	F200030600P	Door Hinge Strap Kit	
15	F601815	Door Hinge Pin	
16	F0610695-00	Door Butt Shim	
17	F430416	Door Bumper Bushing	
18	F150366	Door Bumper Moulding	
19	F430103	Screw	
20	F8549401	Nut	
21	F431005	Nut	
22	F8322701	Spray Nozzle Gasket	Models with 3 in the 8th position
23	F431100	Washer	
24	F430502	Screw	
25	F200085000	Hot Surface Warning Decal	
26	F8135801P	Shell Front Weldment	
27	F170145	Door Gasket	Black
	F017014501	Door Gasket	Gray
28	F730307	Door Kit	Studded
29	F746201-1	Push Handle Kit	Includes item 31, F340703 Magnet, F430231 Nut, F430916 Screw, F431108 Washer, F431125 Washer, F603683 Door Push Brace and F607257 Push Handle
	F609427	Handle Weldment	
30	F431210	Pop Rivet	
31	F230303	Push Decal	
32	F170117	Door Glass Gasket	
33	F8350501P	High Hole Glass	Models with 3 in the 8th position
	F290201P	Glass	Models with 1 in the 8th position
34	F8350601	Door Assembly	Models with 3 in the 8th position; Includes items 20, 24, 27-29, 32 and 33
	F200119600	Door Assembly	Models with 1 in the 8th position; Includes items 14, 20, 23-24, 27-29, 31-33 and 35
35	F601239	Door Glass Retainer	

# Door Lock



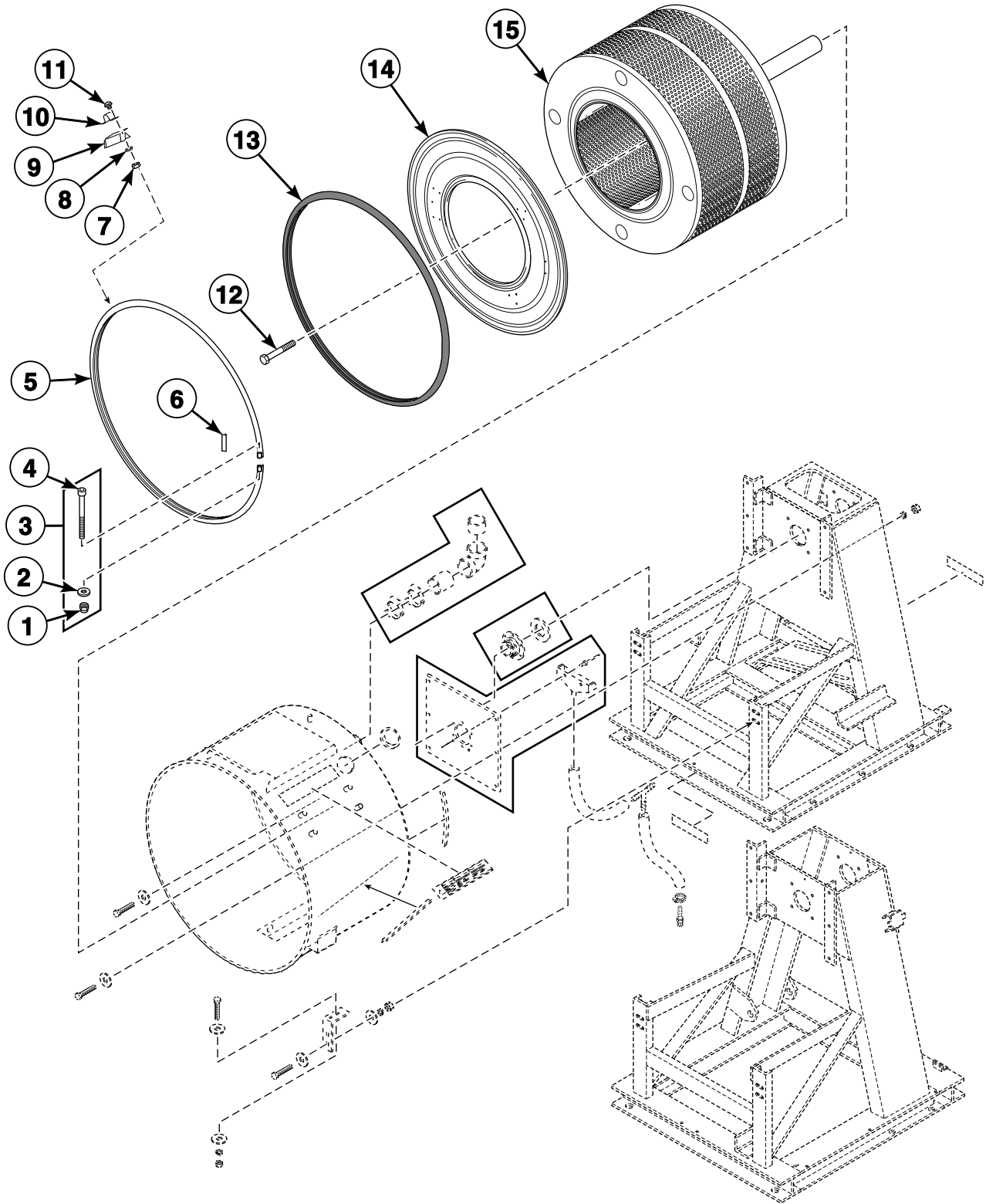
PHM3121P\_F8149101



# Door Lock

REF	PART NO.	DESCRIPTION	COMMENTS
	F8029102	Door Lock Harness	Models with a 2 in the 9th position
	F8029101	Door Lock Harness	All other models
1	F430927	Screw	
2	F431118	Washer	
3	F430916	Screw	
4	F746803	Extension Arm Kit	Includes items 3 and 13-15
5	F430168	Screw	
6	F150203	Door Handle Casting	
7	F150201P	Top Latch Bracket Casting	
8	F602058	Door Latch Bracket Shim	
9	F431100	Washer	
10	F8549401	Nut	
11	F431011	Nut	
12	F150204	Lower Door Latch Casting	
13	F430231	Nut	
14	F431108	Washer	
15	F601639	Extension Arm Tab	
16	F150202	Lower Door Latch Bracket Casting	
17	F430231	Nut	
18	F8390801	Magnet	
19	F609822	Handle Spacer	
20	F430909	Screw	
21	F8165201	Door Switch	CE models
	F340900	Interlock Switch	All other models
22	F601055	Interlock Switch Spacer	
23	F430264	Nut	
24	F8127601	Door Lock Cover	
25	F8066801P	Reed Switch Assembly	
26	F430995	Screw	
27	F8127501	Solenoid Mount Bracket	
28	F8133601	Door Lock Solenoid Shim	
29	F8135301	Door Lock Dielectric Shield	
30	F300129P	Door Lock Solenoid	
31	F430917	Screw	
32	F8127401	Lock Bracket	
33	F430956	Screw	
34	F431210	Pop Rivet	
35	F8127701	Door Lock Assembly	Includes items 17 and 21-34
36	802337	Nut	

# Basket

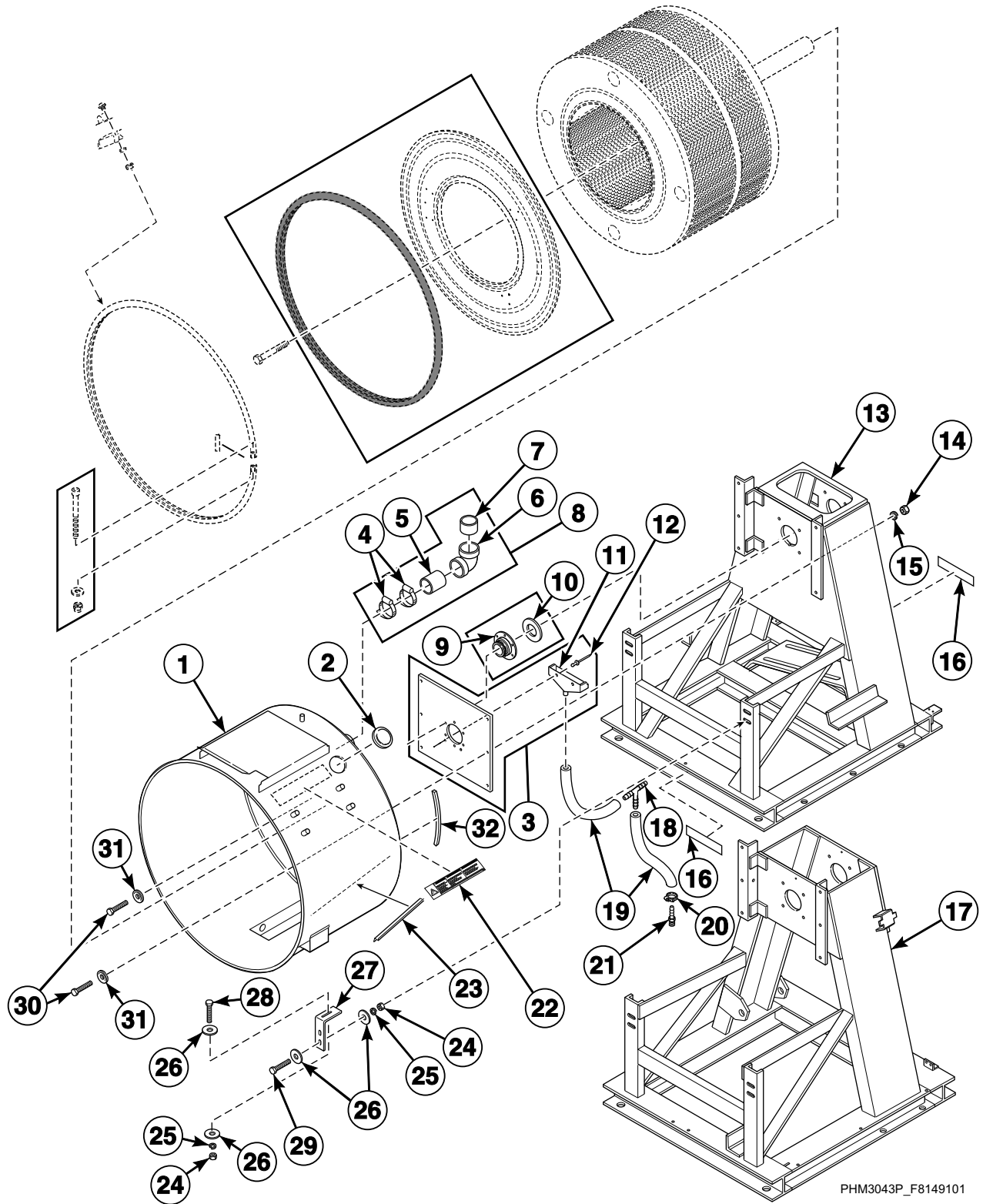


PHM3042P\_F8149101

# Basket

REF	PART NO.	DESCRIPTION	COMMENTS
1	F430215	Nut	
2	F430317	Washer	
3	F791001	Shell Band Fastener Kit	Includes items 1, 2 and 4
4	F430518	Screw	
5	F603344P	Shell Band Assembly	
6	F601216	Shell Gasket Shield	
7	F431022	Nut	
8	F431113	Washer	
9	F602901P	Spray Rinse Bracket Assembly	
10	F602880	Spray Rinse Strap	
11	F430917	Screw	
12	70391101	Screw	
13	F170120RP	Shell Band Gasket	Model UW60TV
	F8302001	Shell Band Gasket	All other models
14	F8135801P	Shell Front Weldment	
15	F632015	Basket Assembly	

# Shell and Frame - Models Through 10/3/10

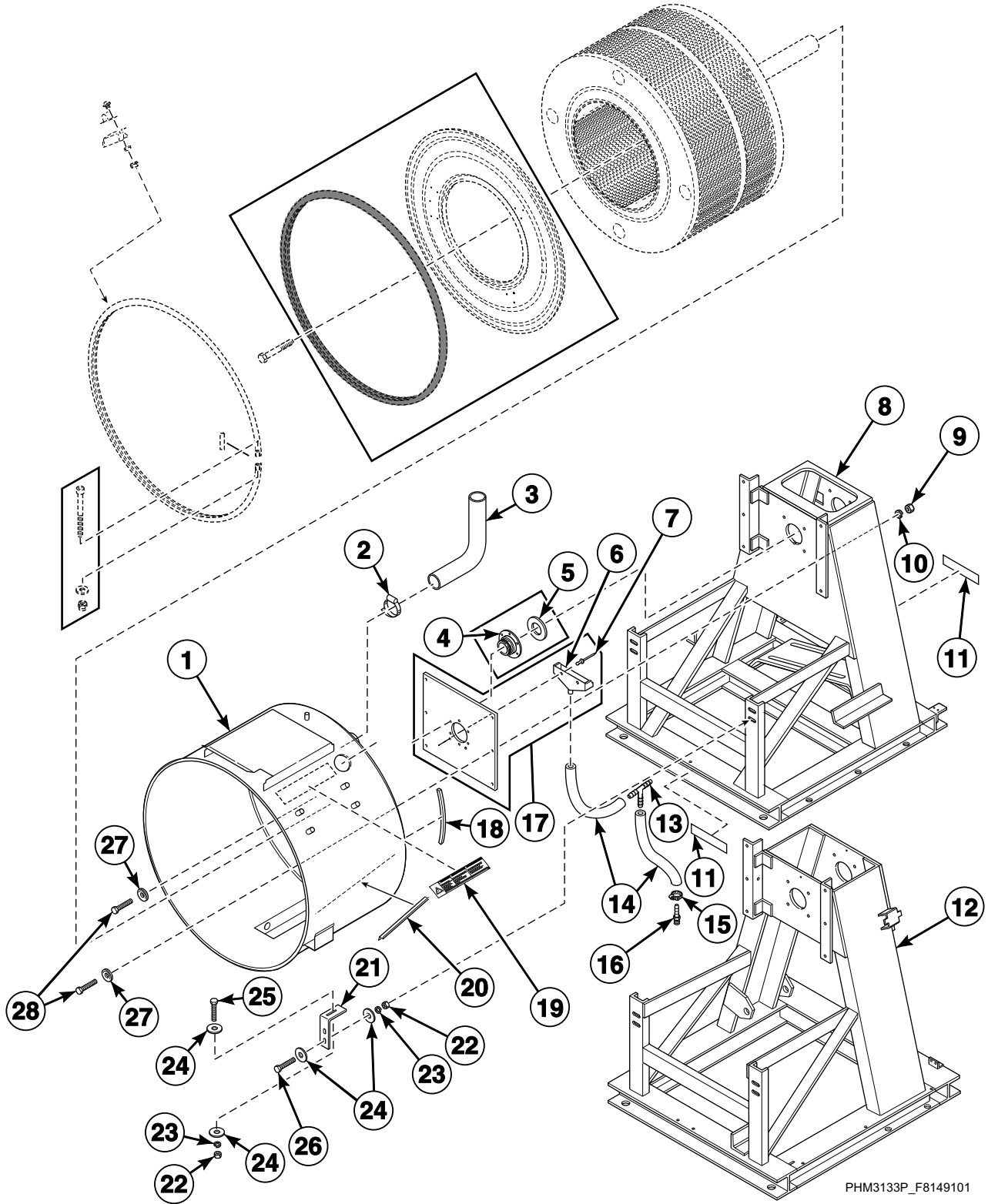


PHM3043P\_F8149101

## Shell and Frame - Models Through 10/3/10

REF	PART NO.	DESCRIPTION	COMMENTS
1	F8081701	Shell Weldment	Model UW60TV; Standard
	F8273301	Shell Weldment	All other models; Standard
	F8081702	Shell Weldment	Model UW60TV; Electric heat
	F8273302	Shell Weldment	All other models; Electric heat
2	F0200237-00	Plug	
3	F8084201	Shell Reinforcement Plate Assembly	Includes items 11 and 12
4	F200213	Hose Clamp	
5	F0603139-03	Drain Hose	
6	F422900	Elbow	
7	F0602364-04	Pipe	
8	F8261301	Vent Hose	Includes items 4-7
9	F8162101	Face Seal	Standard
	F8162201	Face Seal	Viton
	F798819-00	Seal Kit	Includes items 10, 30, 31, F410102 Clear Sealant, F431210 Pop Rivet, F430215 Nut, F430317 Washer, F430518 Screw and F170120RP Shell Band Gasket; Standard
10	F100203	Slinger	
11	F150389	Scupper	
12	F431215	Pop Rivet	
13	F8073801	Frame Weldment	Model UW60TV and models with an L, M or V in the 9th position
14	M400013	Washer	
15	70142	Nut	
16	44324001	Warning Label	Shock/pinch; Models UWL060, UWN060 and UWU060
17	F8166101	Frame Weldment	Models with a 2 in the 9th position
18	F8137401	Tee	
19	F200107P	Water Hose	
20	36801	Hose Clamp	No. 6
21	F421929	Hose Barb	
22	F200085500	Moving Parts Plug Warning Decal	
23	F150364	Drip Rail	
24	20274	Nut	
25	M400014	Washer	
26	M400081	Washer	
27	F601806	Shell Mounting Bracket	
28	F430924	Screw	
29	F431116	Washer	
30	F430913	Screw	
31	F431112	Washer	
32	F170400RP	Trim	Order 5 feet

# Shell and Frame - Models Starting 10/4/10

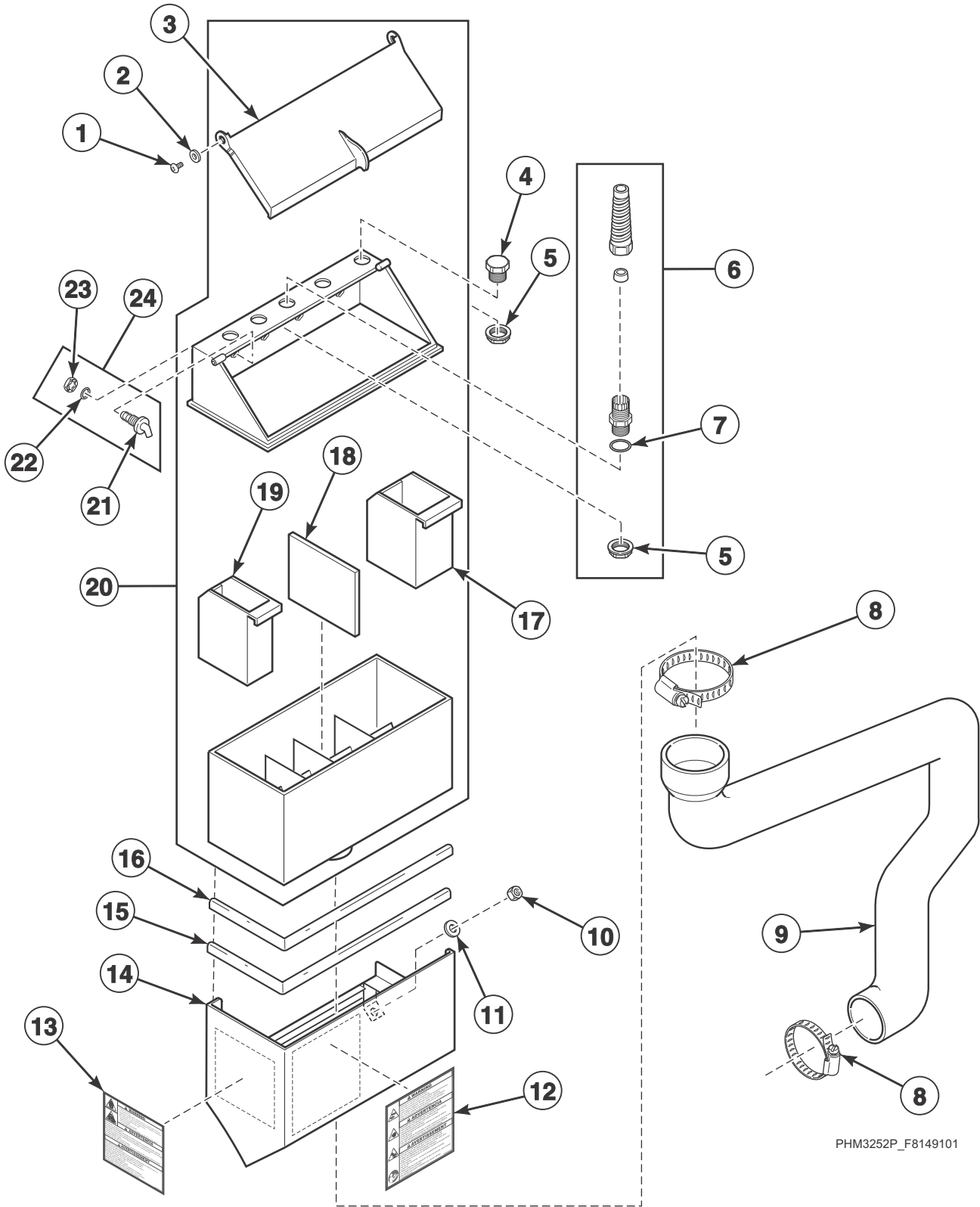


PHM3133P\_F8149101

## Shell and Frame - Models Starting 10/4/10

REF	PART NO.	DESCRIPTION	COMMENTS
1	F8351501	Shell Weldment	Standard
	F8351502	Shell Weldment	Electric heat
2	F200213	Hose Clamp	
3	F8363601	Vent Hose	
4	F8162101	Face Seal	Standard
	F8162201	Face Seal	Viton
	F798819-00	Seal Kit	Includes items 5, 27, 28, F410102 Clear Sealant, F431210 Pop Rivet, F430215 Nut, F430317 Washer, F430518 Screw and F170120RP Shell Band Gasket; Standard
5	F100203	Slinger	
6	F150389	Scupper	
7	F431215	Pop Rivet	
8	F8073801	Frame Weldment	Model UW60TV and models with an L, M or V in the 9th position
9	M400013	Washer	
10	70142	Nut	
11	44324001	Warning Label	Shock/pinch; Models UWL060, UWN060 and UWU060
12	F8166101	Frame Weldment	Models with a 2 in the 9th position
13	F8137401	Tee	
14	F200107P	Water Hose	
15	36801	Hose Clamp	No. 6
16	F421929	Hose Barb	
17	F8084201	Shell Reinforcement Plate Assembly	Includes items 6 and 7
18	F170400RP	Trim	Order 5 feet
19	F200085500	Moving Parts Plug Warning Decal	
20	F150364	Drip Rail	
21	F601806	Shell Mounting Bracket	
22	20274	Nut	
23	M400014	Washer	
24	M400081	Washer	
25	F430924	Screw	
26	F431116	Washer	
27	F431112	Washer	
28	F430913	Screw	

# Supply Dispenser



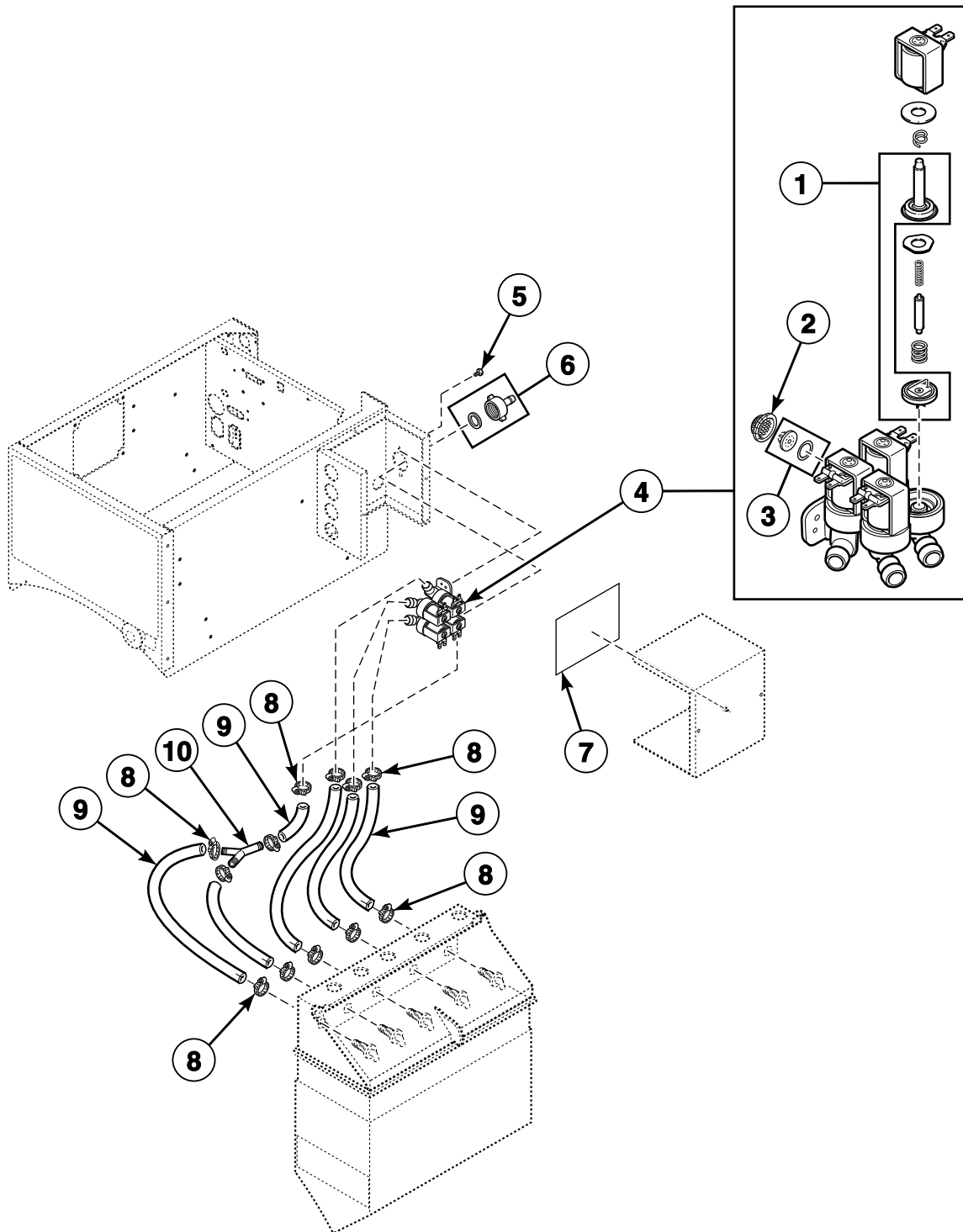
PHM3252P\_F8149101



# Supply Dispenser

REF	PART NO.	DESCRIPTION	COMMENTS
1	F430917	Screw	
2	F431133	Washer	
3	F0150514-00	Dispenser Lid	
4	F190304	Plug Cap	
5	F140340P	Strain Relief Connector	
6	F749802	Strain Relief Adapter Kit	Includes items 5 and 7
7	F170215	O-Ring	
8	F200213	Hose Clamp	No. 40
9	F150469	Chemical Supply Hose	Models through 5/31/09
	F8265501	Chemical Supply Hose	Models starting 6/1/09
10	F431042	Nut	
11	F431147	Washer	
12	F200085300	Hot Water and Chemical Caution Decal	
13	F200085100	Spin Warning Decal	
14	F8024301	Soap Dispenser Shroud Weldment	
15	F170400RP	Trim	
16	F170158P	Gasket	
17	F150386	Chemical Supply Cup	32 ounce; 2 used
18	F0150525-00	Supply Dispenser Spacer	
19	F150385	Chemical Supply Cup	20 ounce; 3 used
20	F0150512-00P	Dispenser Assembly	Includes items 3 and 17-19
21	F8322001	Injection Nozzle	
22	F170208	O-Ring	
23	802292	Nut	
24	F730168	Injection Nozzle Kit	Includes items 21-23

# Water Supply Valve and Hoses to Supply Dispenser - Models Through 10/3/10



PHM3037P\_F8149101

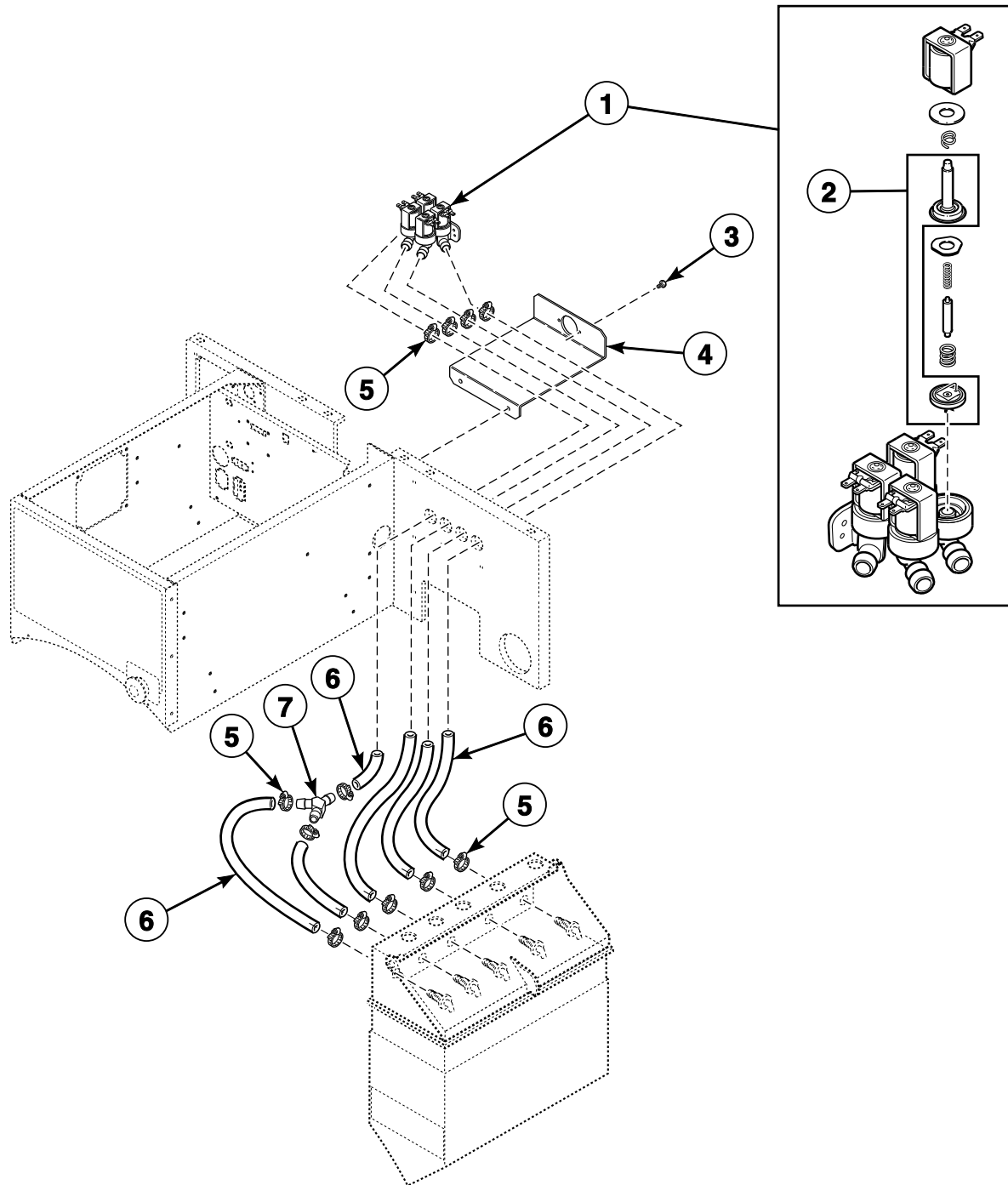
## Water Supply Valve and Hoses to Supply Dispenser - Models Through 10/3/10

REF	PART NO.	DESCRIPTION	COMMENTS
1	G582P3	Diaphragm and Guide Kit	
2	F270200	Strainer	
3	N/A	Flow Restrictor	8 liter
4	F381723P	4-Way Valve	220 Volt
	F8091601P	Dispenser Valve Harness	
5	F430948	Screw	
6	F200302	Hose Connector	
7	F230754	Water Valve Assembly Decal	
8	36801	Hose Clamp	No. 6
9	F200110P	Water Hose	
10	F422816	Y Connector	

**N/A = Part no longer available**

# Water Supply Valve and Hoses to Supply Dispenser - Models Starting 10/4/10

UWL, UWN and UWU Models



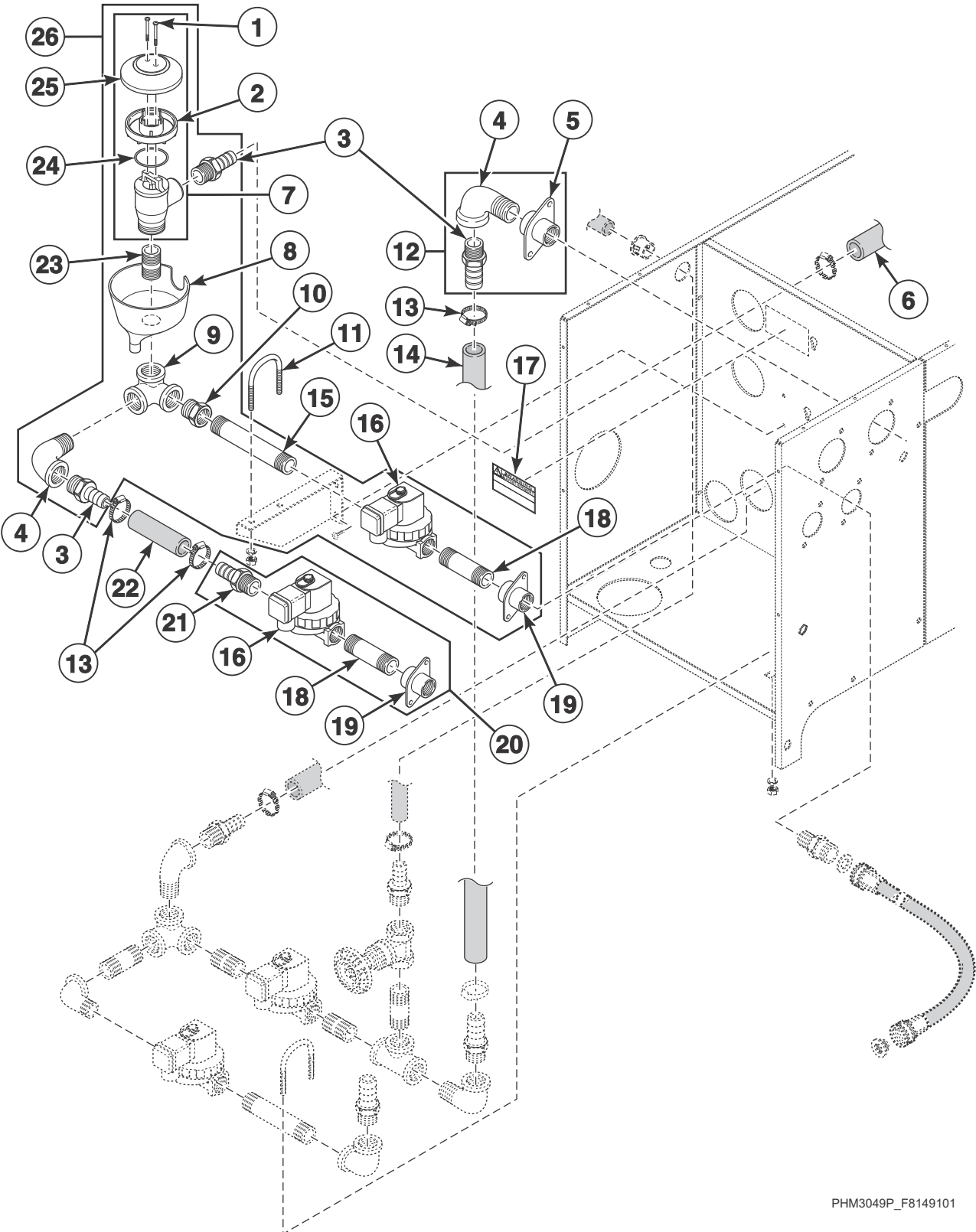
PHM3117P\_F8149101

## Water Supply Valve and Hoses to Supply Dispenser - Models Starting 10/4/10

REF	PART NO.	DESCRIPTION	COMMENTS
1	F8336601	4-Way Valve	240 Volt; Includes regulator
	F8347301	Dispenser Valve Harness	
2	G582P3	Diaphragm and Guide Kit	
3	F430948	Screw	
4	F8331901	Valve Mounting Bracket	
5	36801	Hose Clamp	No. 6
6	F200110P	Water Hose	
7	F422816	Y Connector	

# Spray and Fill Plumbing Assemblies - Models Through 10/3/10 (Drawing 1 of 2)

Model UW60TV and Models with a 3 in the 8th Position



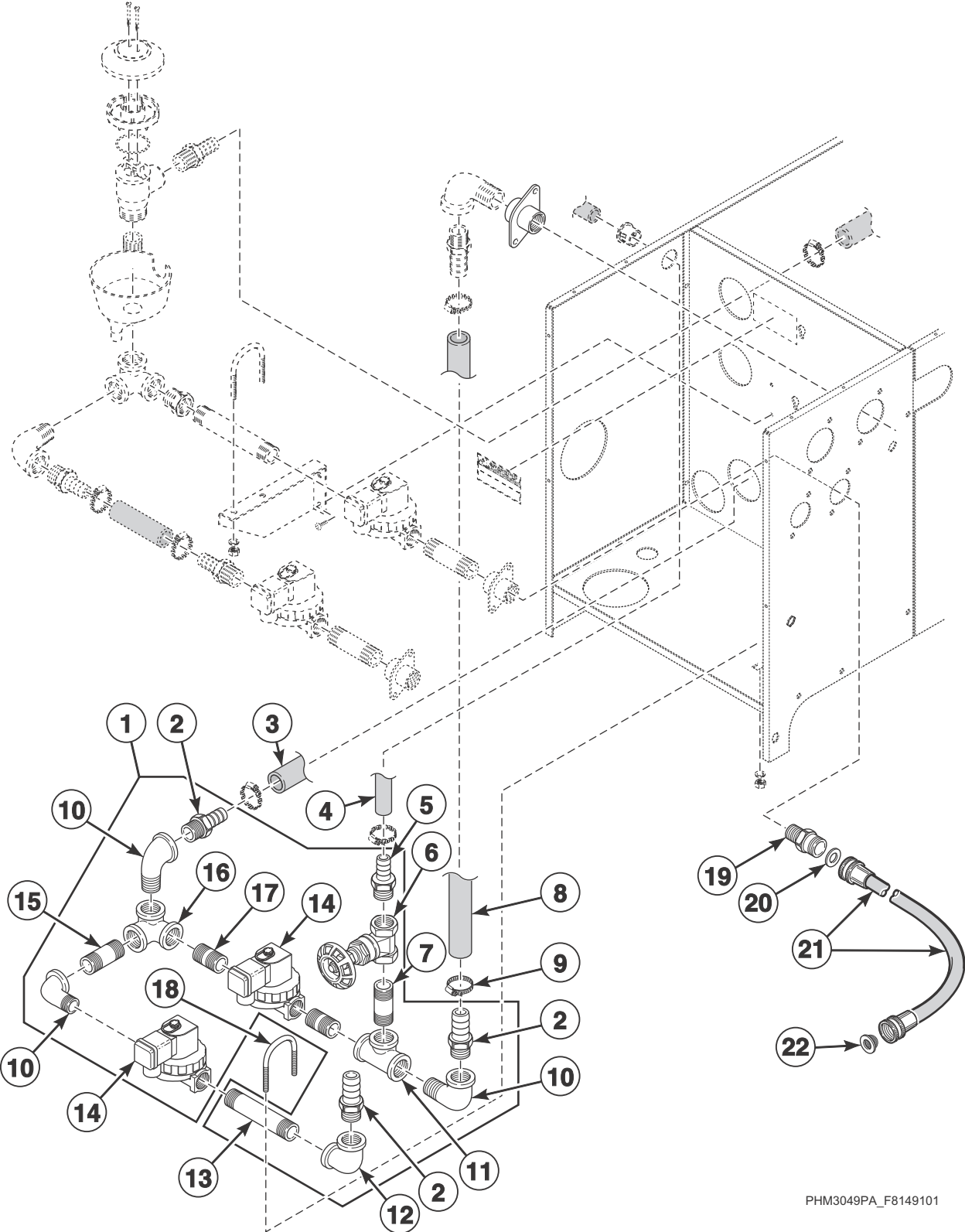
PHM3049P\_F8149101

# Spray and Fill Plumbing Assemblies - Models Through 10/3/10 (Drawing 1 of 2)

REF	PART NO.	DESCRIPTION	COMMENTS
	F8073601P	Supply/Fill Module Harness	
	F8073701P	Fill/Spray Valve Harness	
	F8514601P	Coil	220 Volt; Use with F8322803 Valve
	F8382301	DIN Valve Adapter Kit	Use with F8322803 Valve
	F8456201P	Valve Transition Kit	Use with F8322803 Valve
1	F430938	Screw	
2	F0380809-00	Containment Device	
3	F421951	Hose Barb	
4	F420502	Street Elbow	
5	F8154502	Coupling	
6	F200104P	Hose	Order 2 feet
7	F380800P	Vacuum Breaker Valve	Includes items 1, 2 and 24-25
8	F8118401	Catch Basin	
9	F420509	Elbow	
10	F8100301	Reducer Bushing	
11	F200401P	U-Bolt Clamp	
12	F8117101	Fill Plumbing Connection	Includes items 3-5
13	F200222	Hose Clamp	No. 12
14	F8137502	Hose	
15	F8110601	Nipple	
16	F8322803P	Valve	220 Volt; Replaces F381703P Valve; Includes F8514601 Coil
	F380993P	Valve Repair Kit	
17	F8233501	Warning Label	Shock
18	F420103	Nipple	
19	F8154501	Coupling	
20	F8116801	Cold Spray Plumbing Assembly	Includes items 16, 18, 19 and 21
21	F8110701	Hose Barb	
22	F8137504	Hose	
23	F420105	Nipple	
24	F0170221-00	O-Ring	
25	F0380808-00	Vacuum Breaker Cap	
26	F8074701	Hot Spray Plumbing Assembly	Includes items 1-4, 7-10, 15, 16, 18, 19 and 23-25

# Spray and Fill Plumbing Assemblies - Models Through 10/3/10 (Drawing 2 of 2)

Model UW60TV and Models with a 3 in the 8th Position



PHM3049PA\_F8149101

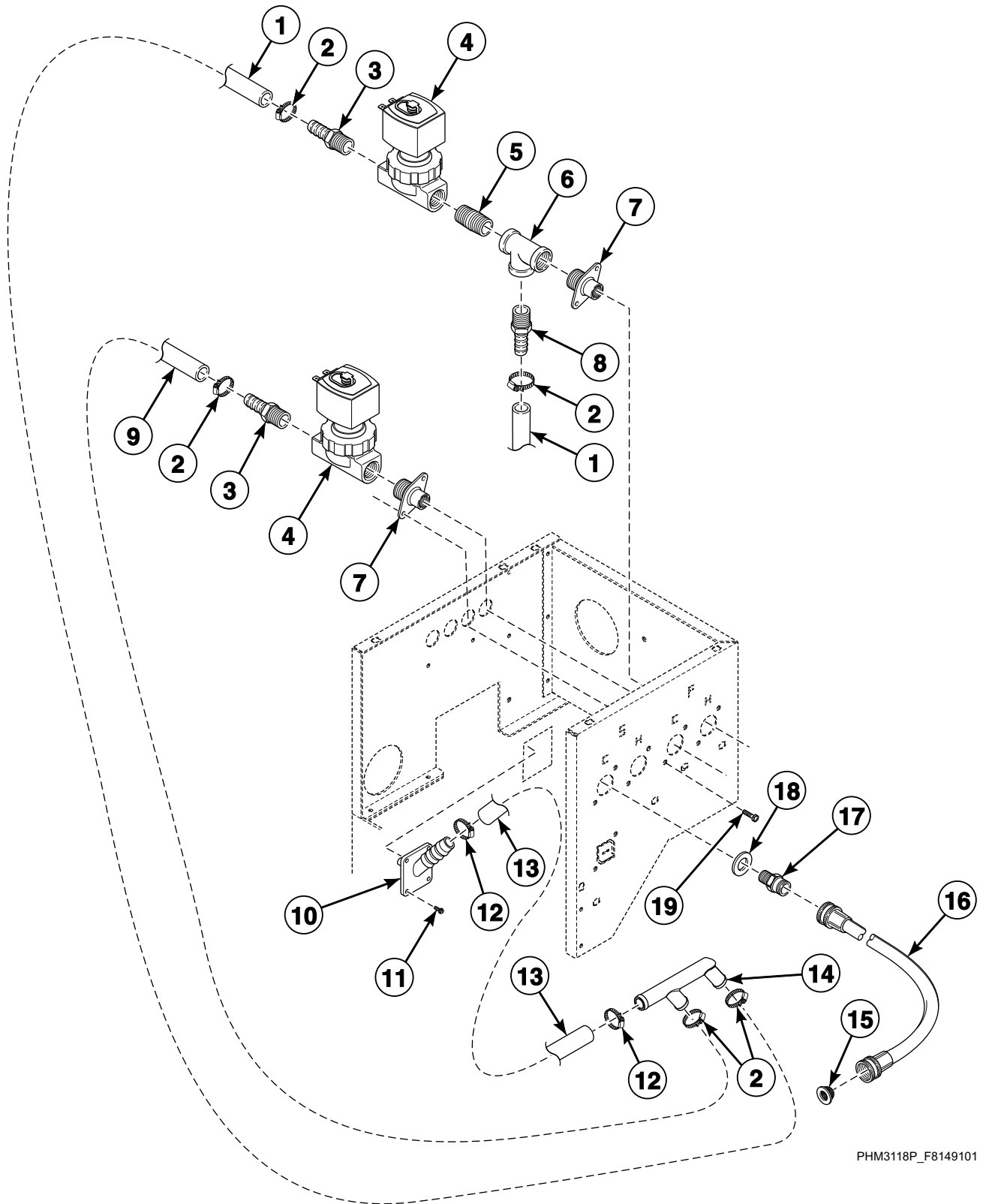


## Spray and Fill Plumbing Assemblies - Models Through 10/3/10 (Drawing 2 of 2)

REF	PART NO.	DESCRIPTION	COMMENTS
	F8073601P	Supply/Fill Module Harness	
	F8073701P	Fill/Spray Valve Harness	
	F8514601P	Coil	220 Volt; Use with F8322905 Valve
	F8382301	DIN Valve Adapter Kit	Use with F8322905 Valve
	F8379502	Valve Rebuild Kit	Use with F8322905 Valve
	F380991P	Water Valve Repair Kit	Use with F381701P Valve
<b>1</b>	F8100401	Fill Plumbing Assembly	Includes items 2, 5-7 and 10-17
<b>2</b>	F421951	Hose Barb	
<b>3</b>	F8339501	Hose	
<b>4</b>	F200165	Water Hose	
<b>5</b>	F421964	Hose Barb	
<b>6</b>	F380500	Gate Valve	
<b>7</b>	F420101	Nipple	
<b>8</b>	F8137502	Hose	
<b>9</b>	F200222	Hose Clamp	No. 12
<b>10</b>	F420502	Street Elbow	
<b>11</b>	F420402	Tee	
<b>12</b>	F420503	Elbow	
<b>13</b>	F420108	Nipple	
<b>14</b>	F8322905P	Valve	220 Volt; Replaces F381701P Valve; Includes F8514601 Coil; For models that have been upgraded with F8521801 DIN Valve Kit
	F8521801	DIN Valve Kit	220 Volt; Replaces F381701P Valve; Includes F8322905 Valve, F8382301 DIN Valve Adapter Kit and F8514601 Coil
<b>15</b>	F8110201	Nipple	
<b>16</b>	F420509	Elbow	
<b>17</b>	F420105	Nipple	
<b>18</b>	F200401P	U-Bolt Clamp	
<b>19</b>	F421909	Hose Adapter	Standard thread; 3/4 x 3/4 inch
	F421908	Hose Adapter	Standard thread; 3/4 x 1/2 inch
	F8265701	Adapter	Metric thread
<b>20</b>	20290	Washer	
<b>21</b>	F200164	Water Hose	Standard thread
	F200166	Water Hose	Metric thread
<b>22</b>	803615	Washer	Filter

# Fill Plumbing Assembly - Models Starting 10/4/10

UWL, UWN and UWU Models



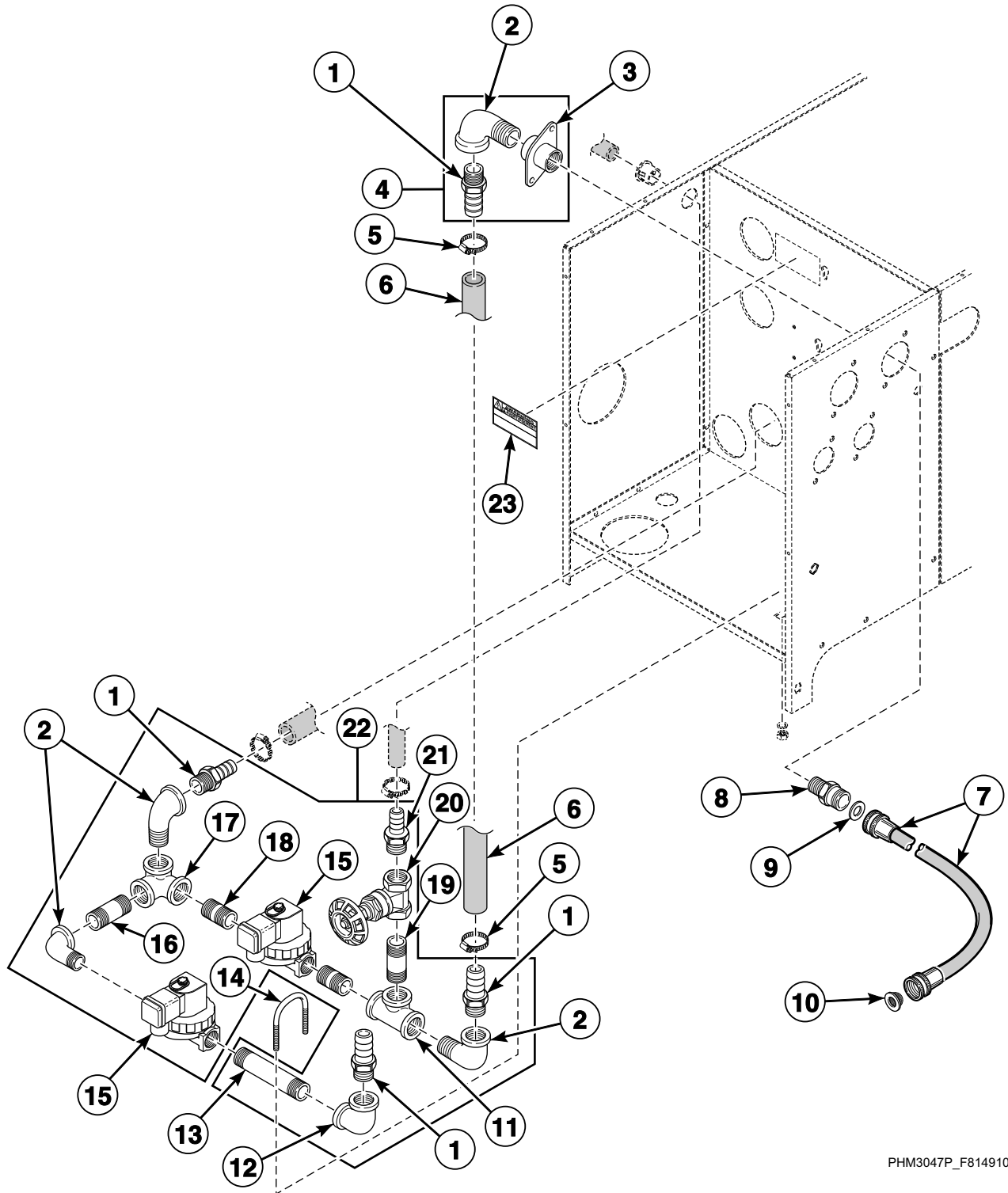
PHM3118P\_F8149101

## Fill Plumbing Assembly - Models Starting 10/4/10

REF	PART NO.	DESCRIPTION	COMMENTS
	F8379501P	Valve Kit	
	F8347501	Fill/Supply Harness	
	F8347102	Fill Valve Harness	
1	F8232007	Hose	
2	36801	Hose Clamp	No. 8
3	F421951	Hose Barb	
4	F8322803P	Valve	1/2 inch; Brass
5	F421921	Nipple	1/2 inch; Brass
6	F422208	Tee	
7	F8362701	Coupling	1/2 inch
8	F8110701	Hose Barb	
9	C002662	Hose	Order 2 feet
10	F8351601	Fill Port	
11	70442301	Screw	
12	F200222	Hose Clamp	No. 12
13	F8232006	Hose	
14	F8333201	Manifold	
15	803615	Washer	Filter
16	F200164	Water Hose	Standard thread
	F200166	Water Hose	Metric thread
17	F421908	Hose Adapter	Standard thread; 3/4 x 1/2 inch
	F8265701	Adapter	Metric thread
18	20290	Washer	
19	20253	Screw	

# Fill Plumbing Assembly - Models Through 10/3/10

Models with a 1 in the 8th Position



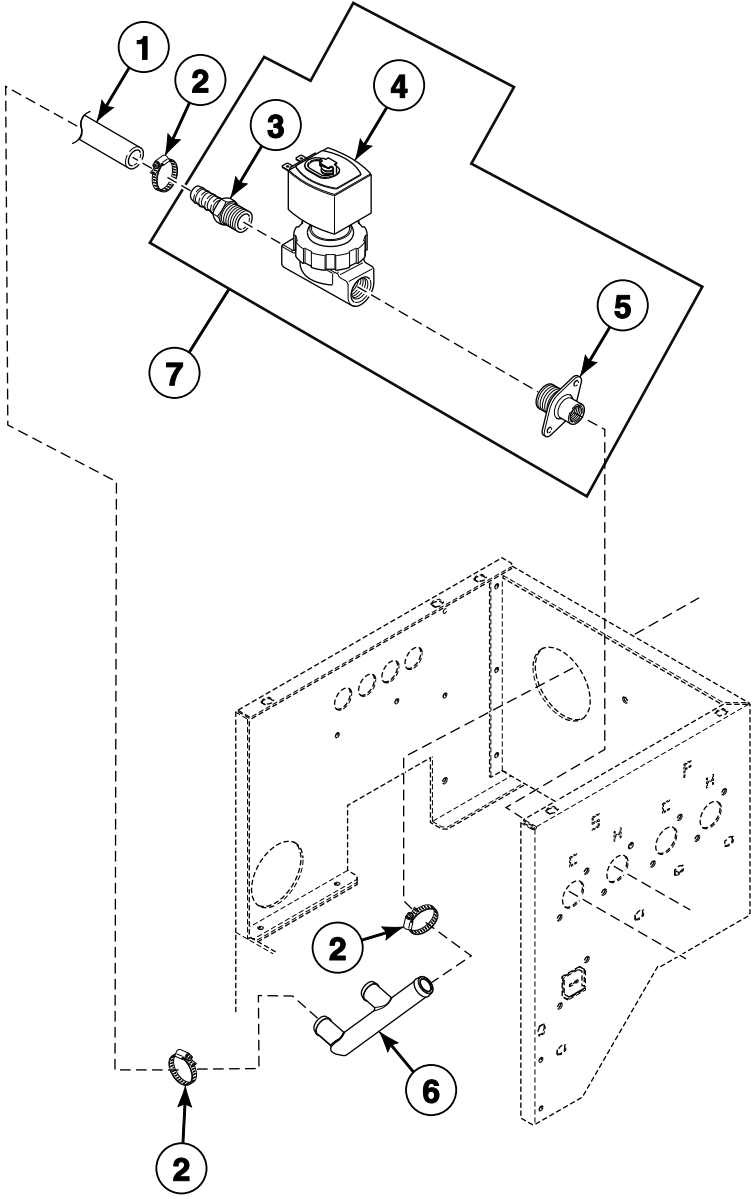
PHM3047P\_F8149101

## Fill Plumbing Assembly - Models Through 10/3/10

REF	PART NO.	DESCRIPTION	COMMENTS
	F8158901P	Fill/Supply Harness	
	F8073702P	Fill Valve Harness	
	F8514601P	Coil	220 Volt; Use with F8322803 Valve
	F8382301	DIN Valve Adapter Kit	Use with F8322905 Valve
	F8379502	Valve Rebuild Kit	Use with F8322905 Valve
<b>1</b>	F421951	Hose Barb	
<b>2</b>	F420502	Street Elbow	
<b>3</b>	F8154502	Coupling	
<b>4</b>	F8117101	Fill Plumbing Connection	Includes items 1-3
<b>5</b>	F200222	Hose Clamp	No. 12
<b>6</b>	F8137502	Hose	
<b>7</b>	F200164	Water Hose	Standard thread
	F200166	Water Hose	Metric thread
<b>8</b>	F421909	Hose Adapter	Standard thread; 3/4 x 3/4 inch
	F421908	Hose Adapter	Standard thread; 3/4 x 1/2 inch
	F8265701	Adapter	Metric thread
<b>9</b>	20290	Washer	
<b>10</b>	803615	Washer	Filter
<b>11</b>	F420402	Tee	
<b>12</b>	F420503	Elbow	
<b>13</b>	F420108	Nipple	
<b>14</b>	F200401P	U-Bolt Clamp	
<b>15</b>	F8521801	DIN Valve Kit	Parker
	F8322801P	Valve	220 Volt; Replaces F381701P Valve; Includes F8322905 Valve, F8382301 DIN Valve Adapter Kit and F8514601 Coil
	F8322905P	Valve	220 Volt; Replaces F381701P Valve; Includes F8514601 Coil; For models that have been upgraded with F8521801 DIN Valve Kit
	F380991P	Water Valve Repair Kit	
<b>16</b>	F8110201	Nipple	
<b>17</b>	F420509	Elbow	
<b>18</b>	F420105	Nipple	
<b>19</b>	F420101	Nipple	
<b>20</b>	F380500	Gate Valve	
<b>21</b>	F421964	Hose Barb	
<b>22</b>	F8100401	Fill Plumbing Assembly	Includes items 1, 2, 11-13 and 15-21
<b>23</b>	F8233501	Warning Label	Shock

# Spray Plumbing Assembly - Models Starting 10/4/10

Models with a 3 in the 8th Position

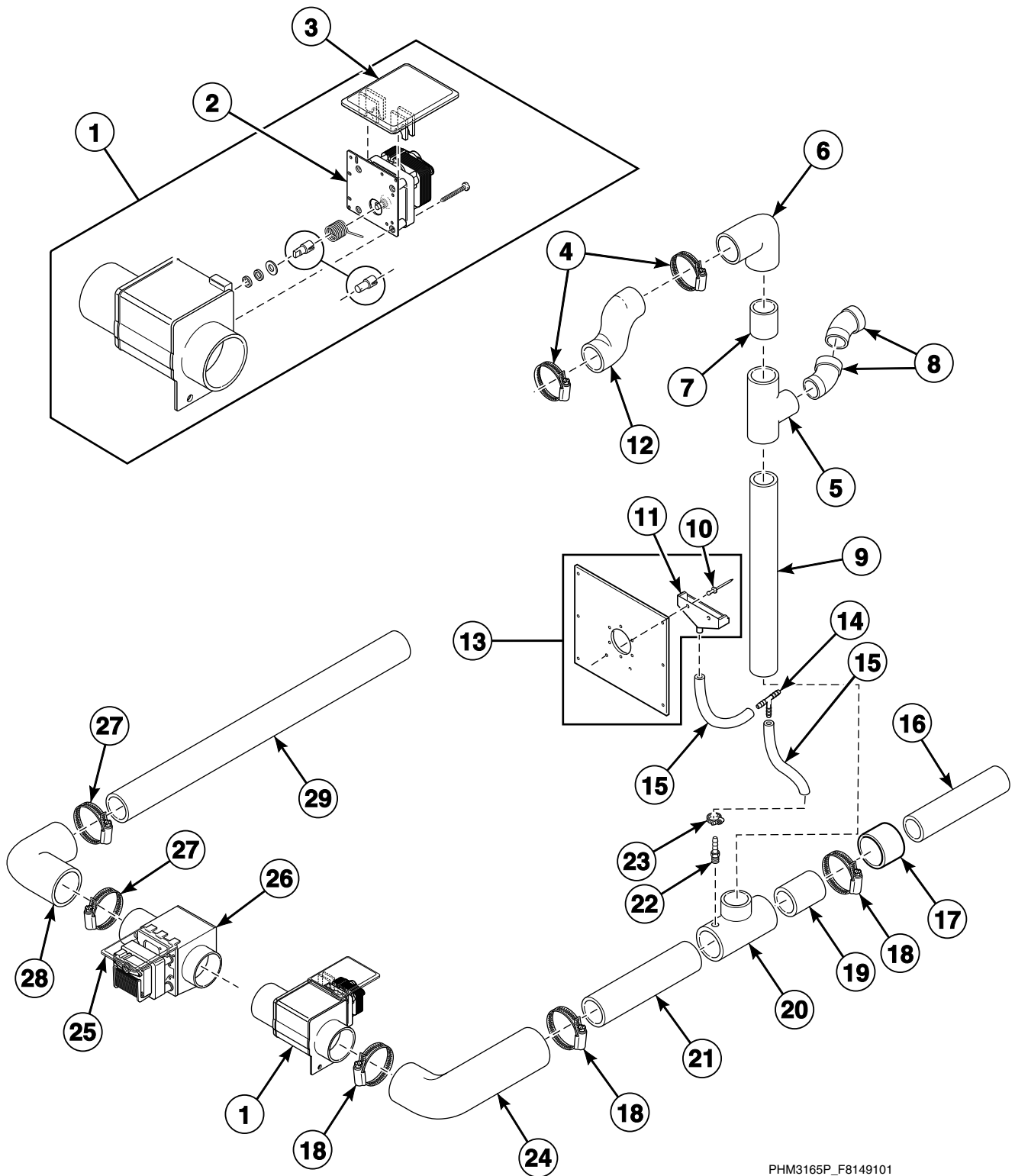


PHM3122P\_F8149101

## Spray Plumbing Assembly - Models Starting 10/4/10

REF	PART NO.	DESCRIPTION	COMMENTS
	F8347501	Fill/Supply Harness	
	F8347104	Fill Valve Harness	
1	F8232007	Hose	
2	36801	Hose Clamp	No. 8
3	F8110701	Hose Barb	
4	F8322803P	Valve	1/2 inch; Brass
	F8379501P	Valve Kit	
5	F8362702	Coupling	3/4 inch
6	F8333201	Manifold	
7	F8288404	Fill Plumbing Assembly	Includes items 3-5

# Drain - Models Through 10/3/10



PHM3165P\_F8149101

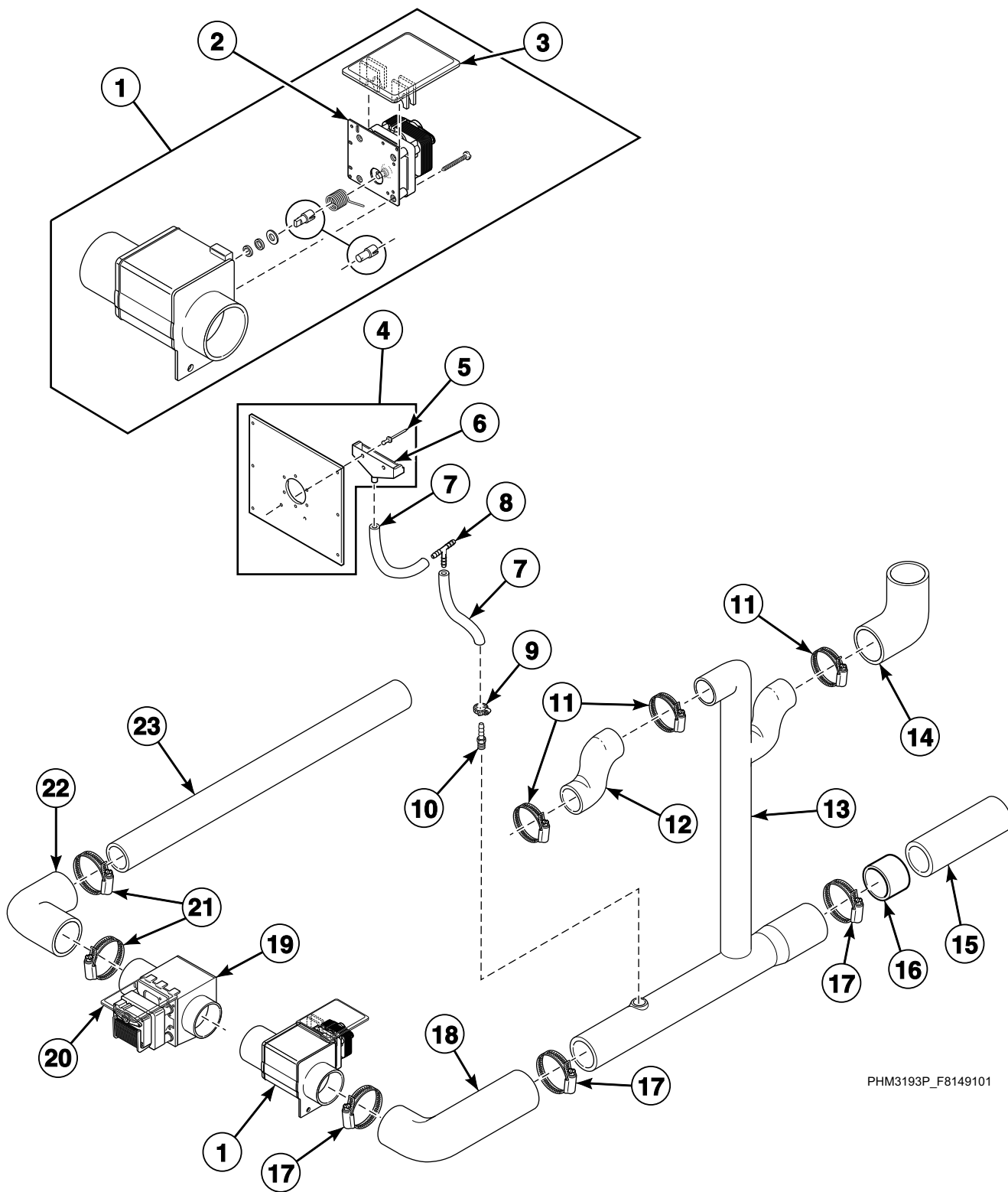


## Drain - Models Through 10/3/10

REF	PART NO.	DESCRIPTION	COMMENTS
	F8028301P	Drain Valve Harness	R-voltage
	F8257002	Drain Valve Harness	Q-voltage
	F8257101	Dual Drain Harness	
1	F200166402	Drain Valve Kit	
2	F380933P	Drain Valve Motor	220 Volt; Keyed shaft
3	F200133600	Drain Valve Cover	
4	F200213	Hose Clamp	No. 40
5	F422803	Tee	
6	F422901	Elbow	
7	F0602365-11	Pipe	
8	F8119201	Elbow	
9	F0602365-20	Pipe	
10	F431215	Pop Rivet	
11	F150389	Scupper	
12	F0150488-00	Overflow Hose	
13	F8084201	Shell Reinforcement Plate Assembly	Includes items 10 and 11
14	F8137401	Tee	
15	F200107P	Water Hose	
16	F200165100	Drain Hose	
17	F422602	Reducer Bushing	
18	F200201	Hose Clamp	No. 56
19	F0602365-07	Pipe	
20	F422802	Tee	
21	F060236531	Pipe	
22	F421929	Hose Barb	
23	36801	Hose Clamp	No. 6
24	F150438	Drain Hose	
25	F200133600	Drain Valve Cover	Dual drain option
26	F200166402	Drain Valve Kit	Dual drain option
27	F200201	Hose Clamp	No. 56; Dual drain option
28	F150438	Drain Hose	Dual drain option
29	F0602365-27	Pipe	Dual drain option

# Drain - Models Starting 10/4/10

UWL, UWN and UWU Models



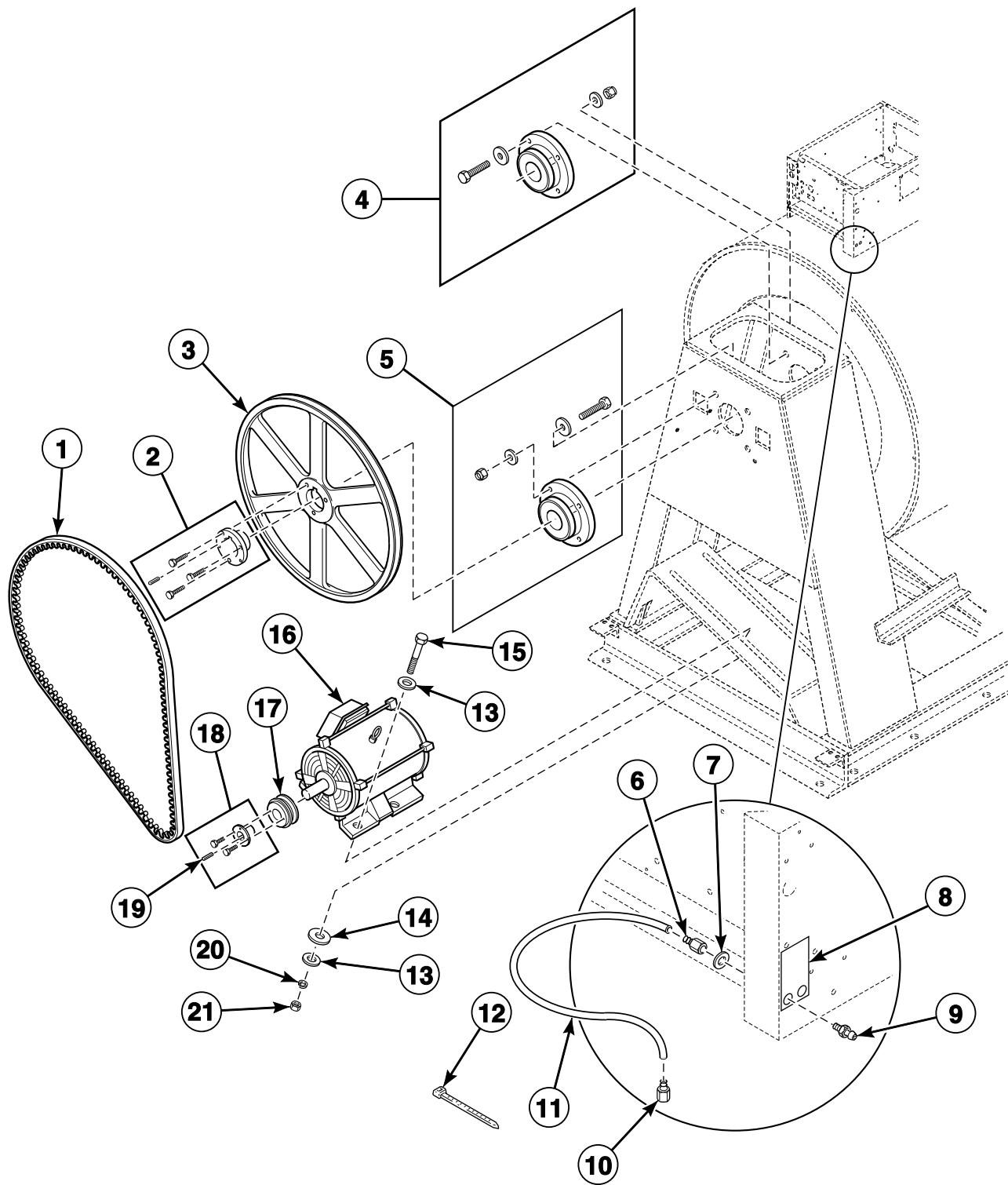
PHM3193P\_F8149101

## Drain - Models Starting 10/4/10

REF	PART NO.	DESCRIPTION	COMMENTS
	F8257001P	Drain Valve Harness	Standard and electric heat
	F8257002	Drain Valve Harness	Steam heat
	F8257101	Dual Drain Harness	
1	F200166402	Drain Valve Kit	
2	F380933P	Drain Valve Motor	220 Volt; Keyed shaft
3	F200133600	Drain Valve Cover	
4	F8084201	Shell Reinforcement Plate Assembly	Includes items 10 and 11
5	F431215	Pop Rivet	
6	F150389	Scupper	
7	F200107P	Water Hose	
8	F8137401	Tee	
9	36801	Hose Clamp	No. 6
10	F421929	Hose Barb	
11	F200213	Hose Clamp	No. 40
12	F0150488-00	Overflow Hose	
13	F8351301	Molded Drain	
14	F8261303	Drain Hose	
15	F200165100	Drain Hose	
16	F422602	Reducer Bushing	
17	F200201	Hose Clamp	No. 56
18	F150438	Drain Hose	
19	F200166402	Drain Valve Kit	Dual drain option
20	F200133600	Drain Valve Cover	Dual drain option
21	F200201	Hose Clamp	No. 56; Dual drain option
22	F150438	Drain Hose	Dual drain option
23	F0602365-27	Pipe	Dual drain option

# Motor, Pulley and Bearings (Drawing 1 of 2)

Model UW60TV and Models with an L, M or V in the 9th Position



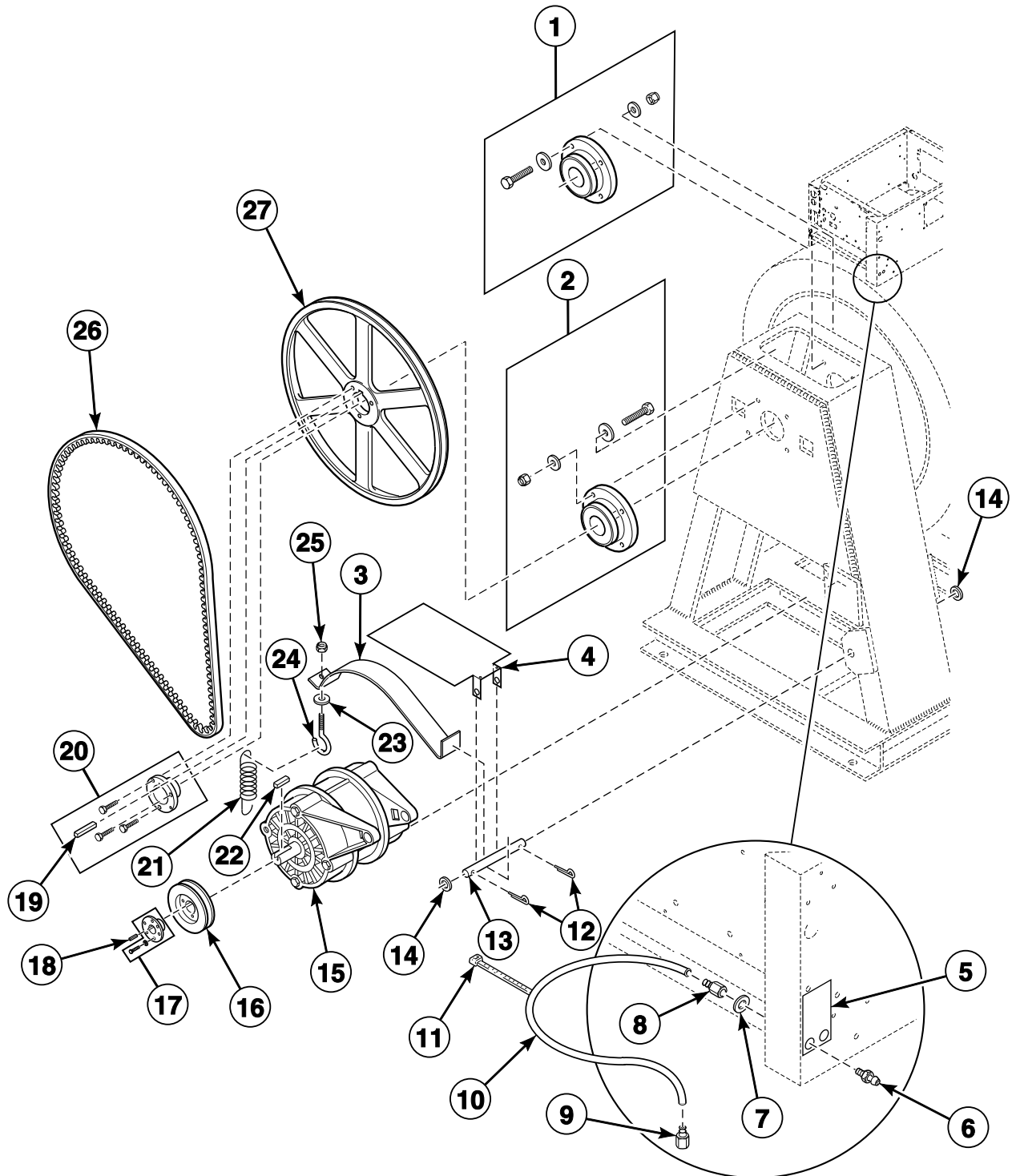
PHM2919P\_F8149101

## Motor, Pulley and Bearings (Drawing 1 of 2)

REF	PART NO.	DESCRIPTION	COMMENTS
	F8436801P	Shaft Lift Tool Kit	Used to reset bearings
1	F280353	Belt	BX96
2	F280409P	Bushing	Includes screws and key; 2-7/16 inch
3	F280410	Pulley	
4	F798824-00	Front Bearing Kit	Includes F010029701 Face Seal, F100203 Slinger, F170120R Shell Band Gasket, F170125 Shell Band Seal, F200001600 Shell Band Gasket, F410102 Clear Sealant, F430137 Screw, F430210 Nut, F430211 Nut, F430317 Washer, F430325 Washer, F430500 Screw, F430935 Screw, F431005 Nut, F431100 Washer, F431112 Washer, F431210 Pop Rivet and F704853 Key
	F100150P	Bearing	
5	F745010	Rear Bearing Kit	Includes F430136 Screw, F704854 Key, F430200 Nut and F430327 Washer
	F100150P	Bearing	
6	F422114	Air Coupling	
7	F431134	Washer	
8	F231563	Grease Instruction Decal	Lubrication
9	F190701	Grease Fitting	
	F745401	Manual Bearing Greasing Retrofit Kit	Includes items 10 and 11, F630433 Grease Manifold Bracket, F230745 Bearing Lubrication Instruction Decal, F320326 Grease Manifold, F430211 Nut, F430322 Washer, F430923 Screw, F430925 Screw and F431024 Nut
10	J1408004	Connector	
11	C000628P	Tubing	
12	F140605	Cable Tie	6 inch
13	M400081	Washer	
14	F430300	Washer	
15	F430993	Screw	
16	F8356401	Motor Kit	Replaces F8054101 Reliance/Allen-Bradley Motor used through 9/30/09; AC drive parameters must be compatible with the motor and motor pulley. Please request the AC drive parameter illustration for parameter verification when ordering a motor.
	F8334601P	Motor	Marathon; Used starting 10/1/09; AC drive parameters must be compatible with the motor and motor pulley. Please request the AC drive parameter illustration for parameter verification when ordering a motor.
	F8049201	Motor Harness	
17	F280146P	Pulley	BK34H; 1 groove; 3.55 inch OD
18	F280211P	Motor Pulley Bushing	Includes item 19 and screws
19	F430802	Key	
20	M400014	Washer	
21	20274	Nut	

# Motor, Pulley and Bearings (Drawing 2 of 2)

Models with a 2 in the 9th Position

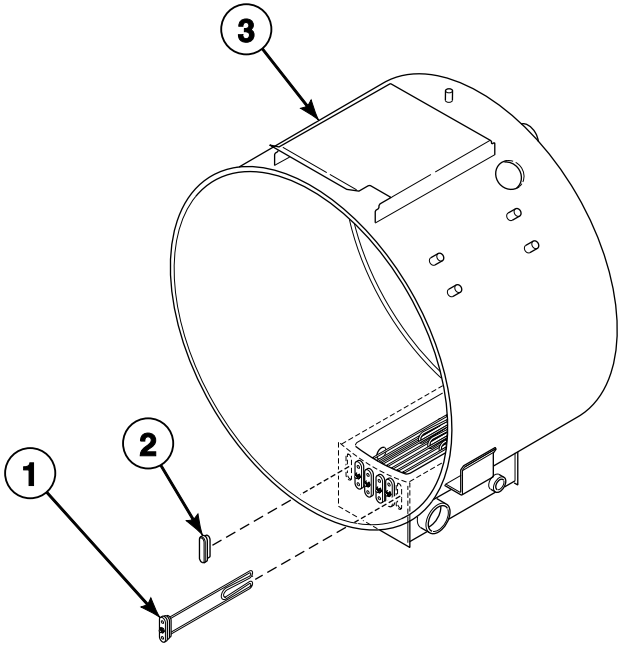


PHM3150P\_F8149101

## Motor, Pulley and Bearings (Drawing 2 of 2)

REF	PART NO.	DESCRIPTION	COMMENTS
1	F798824-00	Front Bearing Kit	Includes seal and hardware
2	F745010	Rear Bearing Kit	Includes hardware
3	F602166	Motor Adjustment Strap	
4	F200280700	Motor Drip Shield	
5	F231563	Grease Instruction Decal	Lubrication
6	F190701	Grease Fitting	
7	F430332	Washer	
8	F422114	Air Coupling	
9	J1408004	Connector	
10	C000628P	Tubing	
11	F140605	Cable Tie	6 inch
12	F430401	Cotter Pin	
13	F730076	Motor Support Rod Kit	
14	901690	Washer	
15	F8597805P	Motor	Replaces F8330501P Motor
16	F280146P	Pulley	BK34H; 1 groove; 3.55 inch OD
17	F280214	Motor Bushing	H-78
18	F430802	Key	
19	F430801	Key	
20	F280409P	Bushing	2-7/16; Includes item 19
21	F310127	Spring	
22	F430802	Key	
23	M400080	Washer	
24	F430153	Bolt	
25	F430233	Nut	
26	F280309	Belt	BX100
27	F280410	Pulley	1B255K

# Electric Heat Option



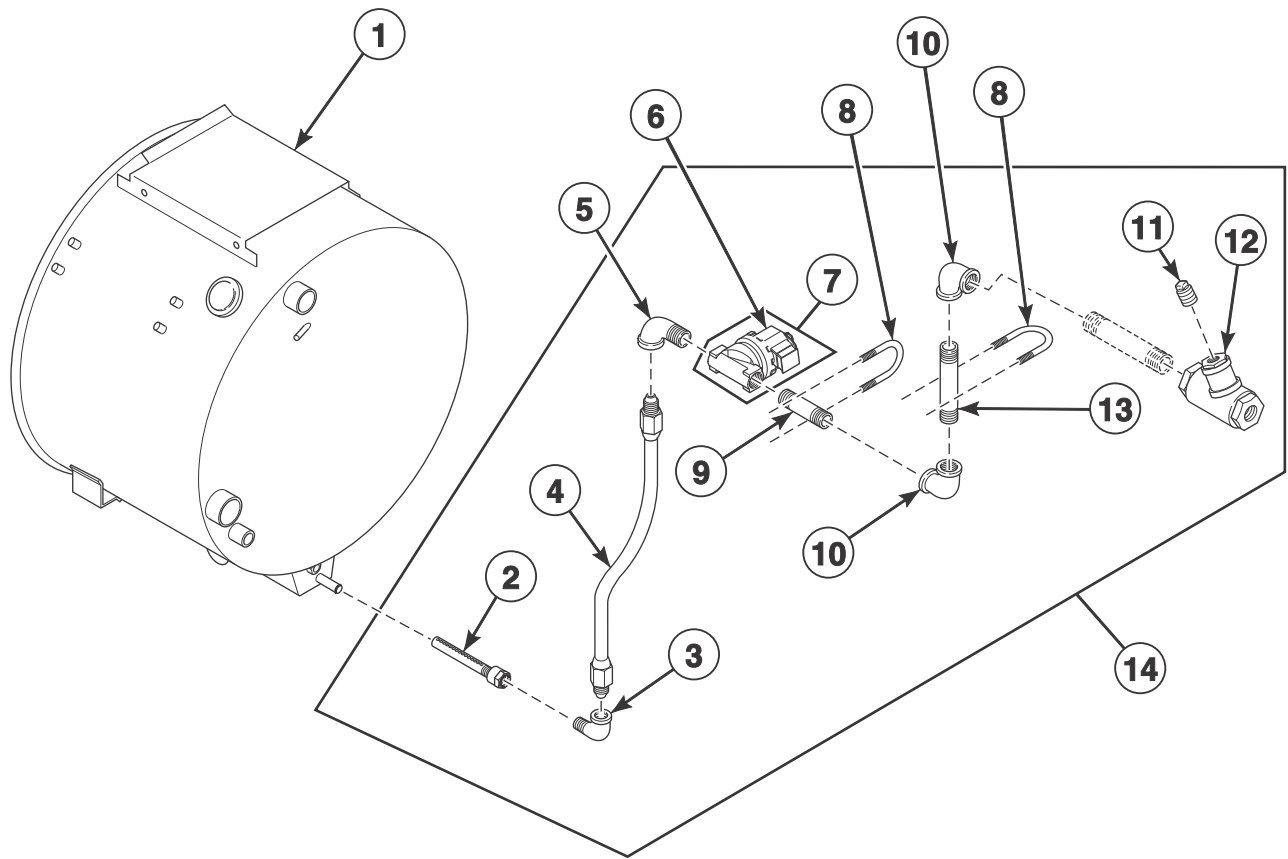
PHM3044P\_F8149101



# Electric Heat Option

REF	PART NO.	DESCRIPTION	COMMENTS
	F8054701P	Electric Heat Harness	R-voltage
	F8054702	Electric Heat Harness	Q-voltage
<b>1</b>	F360203P	Heating Element	6 required
	F8056701	Electric Heat Harness	6 element to ground
<b>2</b>	F360202	Heating Element Plug	
<b>3</b>	F8081702	Shell Weldment	Model UW60TV; Electric heat
	F8273302	Shell Weldment	UWL, UWN and UWU models; Electric heat; Models through 10/3/10
	F8351502	Shell Weldment	UWL, UWN and UWU models; Electric heat; Models starting 10/4/10

# Steam Heat Option - Models Through 10/3/10

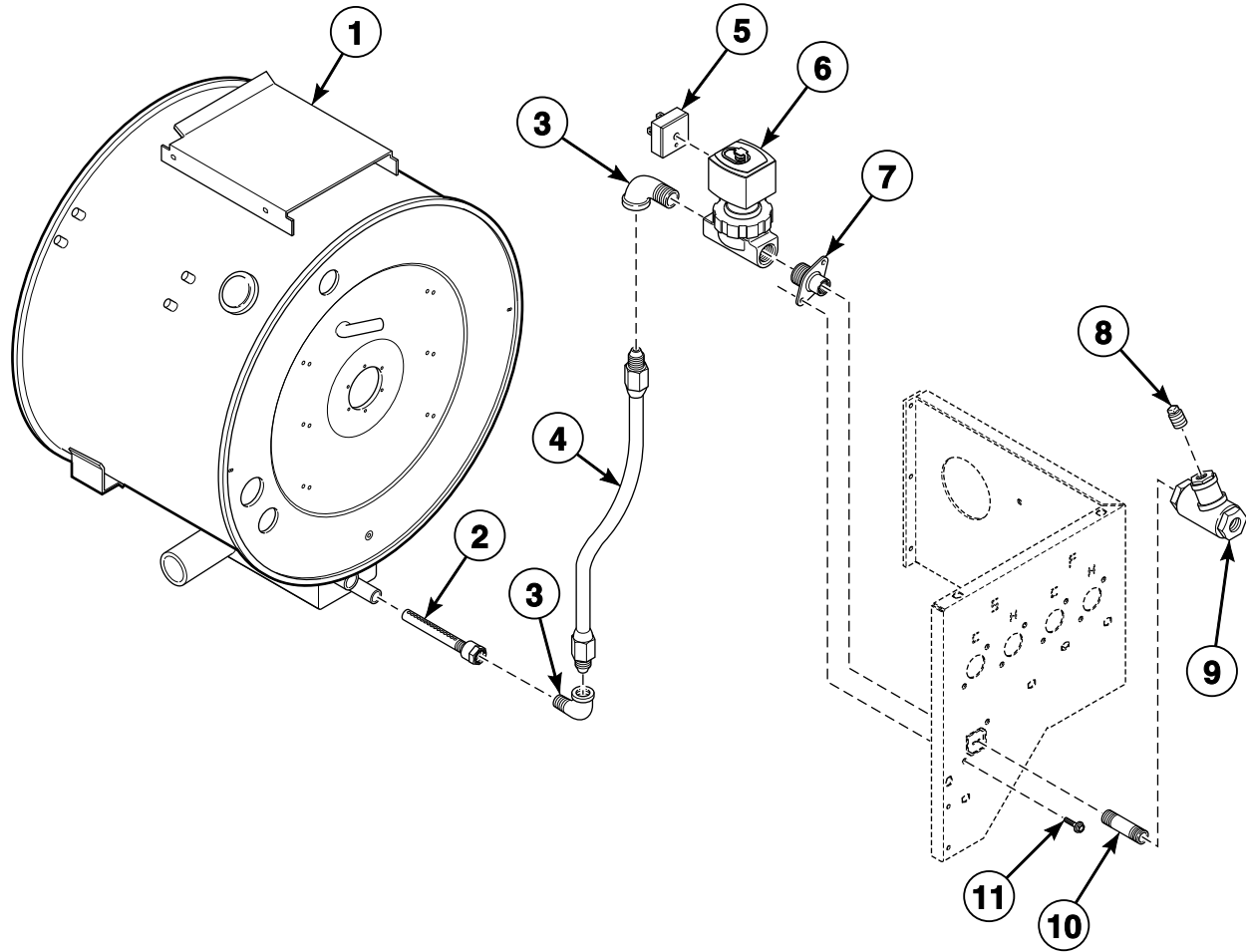


PHM3045P\_F8149101

## Steam Heat Option - Models Through 10/3/10

REF	PART NO.	DESCRIPTION	COMMENTS
	F8382301	DIN Valve Adapter Kit	Use with F8322801 Valve
	F8379501P	Valve Kit	Use with F8322801 Valve
<b>1</b>	F8081701	Shell Weldment	Model UW60TV
	F8273301	Shell Weldment	UWL, UWN and UWU models; Models through 10/3/10
	F8351501	Shell Weldment	UWL, UWN and UWU models; Models starting 10/4/10
<b>2</b>	F8368201	Steam Injector Tube Assembly	
<b>3</b>	F421703	Street Elbow	
<b>4</b>	F200197	Steam Hose	
<b>5</b>	H86070034	Street Elbow	
<b>6</b>	F380987P	DIN Coil	220 Volt
	F8514601P	Coil	220 Volt; Use with F8322801 Valve
<b>7</b>	F8521501	DIN Valve Kit	1/2 inch; 220 Volt; F380984 Steam Valve Repair Kit; Parker
	F8322801P	Valve	220 Volt; Replaces F380787P Steam Valve; Includes F8514601 Coil; For models that have been upgraded with F8521801 DIN Valve Kit
	F8521801	DIN Valve Kit	220 Volt; Replaces F380787P Steam Valve; Includes F8322801 Valve, F8382301 DIN Valve Adapter Kit and F8514601 Coil
<b>8</b>	F200401P	U-Bolt Clamp	
<b>9</b>	901403	Pipe Nipple	
<b>10</b>	70079601	Elbow	
<b>11</b>	F420409	Plug	
<b>12</b>	F270307	Steam Filter	
<b>13</b>	70263801	Pipe Nipple	
<b>14</b>	F947P3	Steam Heat Kit	Includes items 1-13 and F8028302P Steam Heat Drain Valve Harness

# Steam Heat Option - Models Starting 10/4/10

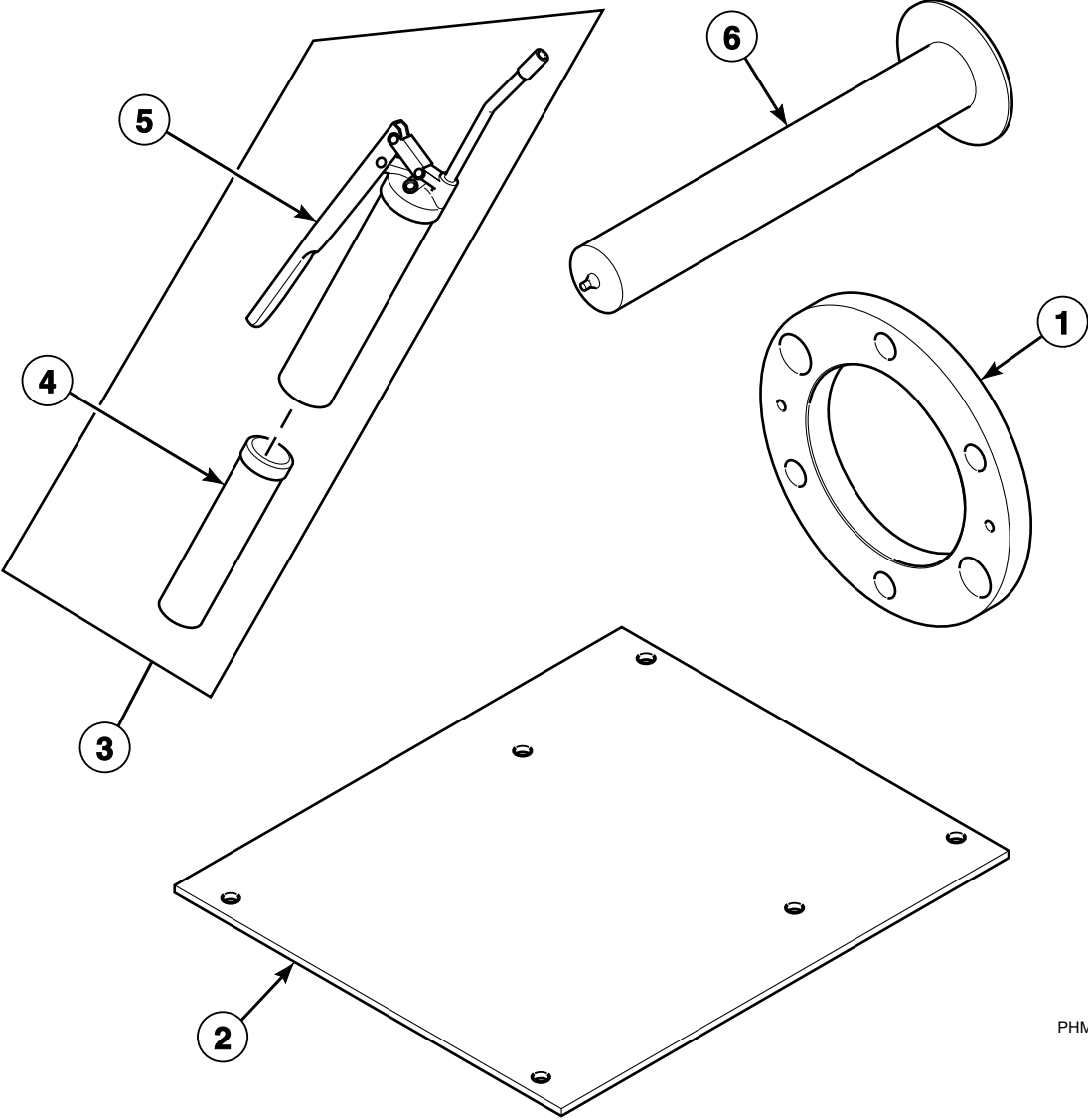


PHM2132K\_F8149101

## Steam Heat Option - Models Starting 10/4/10

REF	PART NO.	DESCRIPTION	COMMENTS
	F8394501	Steam Assembly	Includes items 2-11
	F943P3	Steam Heat Kit	Includes items 2-11 and F8257002 Drain Valve Harness
1	F8366001	Shell Weldment	
2	F8368201	Steam Injector Tube Assembly	
3	F421703	Street Elbow	
4	F200197	Steam Hose	
5	F8382301	DIN Valve Adapter Kit	
6	F8322801P	Valve	1/2 inch; 220 Volt
7	F8362701	Coupling	
8	F420409	Plug	
9	F270307	Steam Filter	
10	901403	Pipe Nipple	
11	70321501	Screw	

# Special Tools



PHM3140P\_F8149101

## Special Tools

REF	PART NO.	DESCRIPTION	COMMENTS
	203346	USB IR Interface Kit	
	F8133301	UniLinc PC and PDA Software CD	UniLinc models
	F8133701	UniLinc PC and PDA Software CD	UniLinc models; Programmer's version
	F923P3	Wet-Clean Kit	Model UW60TV
	F925P3	Wet-Clean Kit	All other models
	F730055-1	Mounting Bolt Kit	
	F924P3	Reuse Kit	
	1113P	Concrete Hardware Kit	
<b>1</b>	F0100312-00	Shaft Seal Alignment Fixture	
<b>2</b>	F602941	Rebar Frame Template	
<b>3</b>	F798700	Grease Gun Kit	Includes items 3 and 4
<b>4</b>	F210206P	Bearing Grease	
<b>5</b>	F210207P	Grease Gun	
<b>6</b>	F633426	Alignment Shaft Assembly	





# Parts Index

## A

AC Drive	
F8169603 .....	15
F8169604 .....	15
F8169619 .....	15
F8169620 .....	15
F8169660 .....	15
F8169661 .....	15
F8169664 .....	15
F8169665 .....	15
Adapter	
F8265701 .....	47, 49, 51
Air Coupling	
F422114 .....	59, 61
Air Trap Hose	
F020014200 .....	11
Alignment Shaft Assembly	
F633426 .....	69
Auxiliary Control Assembly	
F8189401P .....	11

## B

Back Electrical Panel	
F8352401 .....	25
Back Water Panel	
F8346301 .....	25
Balance Switch Bracket	
F8124301 .....	19
Basket Assembly	
F632015 .....	33
Bearing	
F100150P .....	59
Bearing Grease	
F210206P .....	69
Belt	
F280309 .....	61
F280353 .....	59
Belt Access Guard Panel	
F8117501 .....	21
Belt Edging Warning Label	
70360901 .....	21
Belt Guard Assembly	
F8244101 .....	21
F8244201P .....	21
Bolt	
F430153 .....	61
Bushing	
F280409P .....	59, 61
70346501 .....	11

## C

Cable Tie	
F140605 .....	59, 61
Cap Plug	
F180486 .....	13

Catch Basin	
F8118401 .....	45
Center Back Panel	
F8346501 .....	25
CFG Harness	
F8028109 .....	11
Chemical Supply Cup	
F150385 .....	39
F150386 .....	39
Chemical Supply Hose	
F150469 .....	39
F8265501 .....	39
Circuit Breaker	
F8303001P .....	17
70256901P .....	17
Clean Filter Daily Decal	
F200061000 .....	9, 17
Clip	
M400984 .....	13
Clockwise Spin Rotation Decal	
F230652 .....	27
Coil	
F8514601P .....	45, 47, 51, 65
Cold Spray Plumbing Assembly	
F8116801 .....	45
Communication Board	
210095P .....	9
Concrete Hardware Kit	
1113P .....	69
Connector	
F422500 .....	11
J1408004 .....	59, 61
Contact Base	
F8538101 .....	9
Contact Block Switch	
F200233401P .....	9
Contact Switch	
F8069501 .....	9
Contacto	
F330177P .....	17
F330188P .....	17
Contacto Power Harness	
F8202001P .....	17
Containment Device	
F0380809-00 .....	45
Control Assembly Kit	
F980P3 .....	11
Control Board Bracket	
F8036101 .....	9
Control Box Bottom	
F8077401 .....	23
Control Box Contactor Panel	
F8055001 .....	9
Control Box Partition	
F8077601 .....	23
F8351801 .....	25
Control Box Rear Panel	
F8170501 .....	9
Control Box Top Panel	
F8170601 .....	9

N/A items do not appear in index.

Control Harness F8173701P .....	11
Control Harness Tray F8073002 .....	9
F8290303 .....	9
Control Kit F982P3 .....	9
F983P3 .....	9
Control Module Decal F8427001 .....	9
Conversion Label F8099701 .....	23, 25
F8099801 .....	23, 25
Cotter Pin F430401 .....	61
Coupling F8154501 .....	45
F8154502 .....	45, 51
F8362701 .....	49, 67
F8362702 .....	53
Cover Decal F200318200 .....	21

## D

Diaphragm and Guide Kit G582P3 .....	41, 43
DIN Coil F380987P .....	65
DIN Rail F8134001 .....	17
F8200101 .....	17
DIN Valve Adapter Kit F8382301 .....	45, 47, 51, 65, 67
DIN Valve Kit F8521501 .....	65
F8521801 .....	47, 51, 65
Dispenser Assembly F0150512-00P .....	39
Dispenser Lid F0150514-00 .....	39
Dispenser Valve Harness F8091601P .....	41
F8347301 .....	43
Do Not Tamper Label F8345901 .....	15
Door Assembly F200119600 .....	27, 29
F8350601 .....	29
Door Bumper Bushing F430416 .....	27, 29
Door Bumper Moulding F150366 .....	27, 29
Door Butt Shim F0610695-00 .....	27, 29
Door Gasket F017014501 .....	27, 29
F170145 .....	27, 29
Door Glass Gasket F170117 .....	27, 29
Door Glass Kit F290200P .....	27

Door Glass Retainer F601239 .....	27, 29
Door Handle Casting F150203 .....	31
Door Hinge Pin F601815 .....	27, 29
Door Hinge Strap Kit F200030600P .....	27, 29
Door Kit F730307 .....	27, 29
F730539 .....	27
Door Latch Bracket Shim F602058 .....	31
Door Lock Assembly F8127701 .....	31
Door Lock Cover F8127601 .....	31
Door Lock Dielectric Shield F8135301 .....	31
Door Lock Harness F8029101 .....	31
F8029102 .....	31
Door Lock Solenoid F300129P .....	31
Door Lock Solenoid Shim F8133601 .....	31
Door Spray Nozzle Assembly F8356301 .....	29
Door Switch F8165201 .....	19, 31
Drain Hose F0603139-03 .....	35
F150438 .....	55, 57
F200165100 .....	55, 57
F8261303 .....	57
Drain Valve Cover F200133600 .....	55, 57
Drain Valve Harness F8028301P .....	55
F8257001P .....	57
F8257002 .....	55, 57
Drain Valve Kit F200166402 .....	55, 57
Drain Valve Motor F380933P .....	55, 57
Drip Rail F150364 .....	35, 37
Drive Box Bottom Panel F8282401 .....	23
Drive Box Rear Panel F8278202 .....	23
Drive Bracket F8322402 .....	15
Drive Control Harness F8030101P .....	11
F8030201P .....	15
Drive Fan Harness F8113901 .....	17
Drive Mounting Box F8346401 .....	25
Drive Mounting Bracket F8386901 .....	15
Drive Power Harness F8027802 .....	15

N/A items do not appear in index.

Dual Drain Harness	
F8257101 .....	55, 57

## E

Earth Terminal Sticker	
M412096 .....	17
Elbow	
F420503 .....	47, 51
F420509 .....	45, 47, 51
F422319 .....	27, 29
F422900 .....	35
F422901 .....	55
F8119201 .....	55
70079601 .....	65
Electric Heat Coils Harness	
F8054901 .....	15
F8054903 .....	15
Electric Heat Harness	
F8054601 .....	15
F8054602 .....	15
F8054603 .....	15
F8054701P .....	63
F8054702 .....	63
F8056701 .....	63
Electric Shock Danger Label	
F8115501 .....	17
Electrical Access Panel	
F8359201 .....	25
Electrical Shock Label	
D502511 .....	9, 21, 23
Emergency Stop Harness	
F8060501 .....	9
Emergency Stop Pushbutton	
F200233500 .....	9
EMI Filter	
F8053901P .....	15
F8053902 .....	15
EMI Filter Power Harness	
F8129001 .....	15
Ethernet Gateway Kit	
NK320 .....	9
Expansion Clip	
70030501 .....	9, 11, 21, 23, 25
Extension Arm Kit	
F746803 .....	31
Extension Arm Tab	
F601639 .....	31
External Supply Box	
F8055301 .....	9
External Supply Box Cover	
F635365 .....	9
External Supply Connection Decal	
F8059801 .....	9
F8150201 .....	9
External Supply Harness	
F8029501P .....	13
F8191201P .....	13
External Supply Label	
F8161701 .....	9
Extrusion Insert	
F150397 .....	21

## F

Face Seal	
F8162101 .....	35, 37
F8162201 .....	35, 37
Female Pin Terminal	
00117 .....	13
Fill Plumbing Assembly	
F8100401 .....	47, 51
F8288404 .....	53
Fill Plumbing Connection	
F8117101 .....	45, 51
Fill Port	
F8351601 .....	49
Fill Valve Harness	
F8073702P .....	51
F8347102 .....	49
F8347104 .....	53
Fill/Spray Valve Harness	
F8073701P .....	45, 47
Fill/Supply Harness	
F8158901P .....	51
F8347501 .....	49, 53
Filter	
F200318900P .....	11, 17
Filter Retainer Guard	
F220900 .....	11, 17
Frame Weldment	
F8073801 .....	35, 37
F8166101 .....	35, 37
Front Bearing Kit	
F798824-00 .....	59, 61
Front Box Cover	
F8099401 .....	23
Front Bulkhead Panel	
F8278301 .....	23
F8346201 .....	25
Front Panel	
F8096101P .....	21
Fuse	
802492 .....	11
802493 .....	11

## G

Gasket	
F170158P .....	39
Gate Valve	
F380500 .....	47, 51
Glass	
F290201P .....	27, 29
Grease Fitting	
F190701 .....	59, 61
Grease Gun	
F210207P .....	69
Grease Gun Kit	
F798700 .....	69
Grease Instruction Decal	
F231563 .....	59, 61
Ground Decal	
F230630 .....	15
F230739 .....	15

N/A items do not appear in index.

Ground Lug Connector M411283 .....	17
---------------------------------------	----

## H

Handle Spacer F609822 .....	31
Handle Weldment F609427 .....	27, 29
Harness F8030001 .....	17
F8030002P .....	17
Harness Tray Cover F8073102 .....	9
F8290803 .....	9
Heating Element F360203P .....	63
Heating Element Plug F360202 .....	63
High Hole Glass F8350501P .....	29
Hole Plug F8223801 .....	17
Hose C002662 .....	49
F200104P .....	45
F8137502 .....	45, 47, 51
F8137504 .....	45
F8232006 .....	49
F8232007 .....	49, 53
F8339501 .....	47
Hose Adapter F421908 .....	47, 49, 51
F421909 .....	47, 51
Hose Barb F421929 .....	35, 37, 55, 57
F421951 .....	45, 47, 49, 51
F421964 .....	47, 51
F8110701 .....	45, 49, 53
Hose Clamp F200201 .....	55, 57
F200213 .....	35, 37, 39, 55, 57
F200222 .....	11, 45, 47, 49, 51
36801 .....	35, 37, 41, 43, 49, 53, 55, 57
Hose Connector F200302 .....	41
Hot Spray Plumbing Assembly F8074701 .....	45
Hot Surface Warning Decal F200085000 .....	27, 29
Hot Surface Warning Label F8614301 .....	23
Hot Water and Chemical Caution Decal F200085300 .....	39

## I

Injection Nozzle F8322001 .....	39
Injection Nozzle Kit F730168 .....	39

Insulator M413862 .....	15
Interlock Contactor F330186P .....	17
Interlock Switch F340900 .....	31
Interlock Switch Harness F8030501P .....	11
F8158801P .....	11
Interlock Switch Spacer F601055 .....	31

## J

Jumper Configuration Assembly M413507 .....	11
Jumper Harness Assembly M413506 .....	11

## K

Key F430801 .....	61
F430802 .....	59, 61

## L

Left Side Cover F8077202 .....	23
F8278102 .....	23
F8352602 .....	25
Left Side Panel F8099602P .....	21
Lock Bracket F8127401 .....	31
Logic Supply Power Harness F8060001 .....	15
Lower Door Latch Bracket Casting F150202 .....	31
Lower Door Latch Casting F150204 .....	31

## M

Magnet F8390801 .....	31
Main Power Harness F8060301 .....	15
Male Tab Terminal 00177 .....	11, 17
Manifold F8333201 .....	49, 53
Manual Bearing Greasing Retrofit Kit F745401 .....	59
Molded Drain F8351301 .....	57
Motor F8334601P .....	59
F8597805P .....	61

N/A items do not appear in index.

Motor Adjustment Strap F602166.....	61
Motor Bushing F280214.....	61
Motor Drip Shield F200280700.....	61
Motor Harness F8049201.....	59
Motor Kit F8356401.....	59
Motor Pulley Bushing F280211P.....	59
Motor Support Rod Kit F730076.....	61
Mount on Concrete Warning Label F8246401.....	21
Mounting Bolt Kit F730055-1.....	69
Moving Parts Plug Warning Decal F200085500.....	35, 37
Muffin Fan F110110.....	11, 17

## N

Network Board Assembly 203028.....	11
Network Board Bracket F8079401.....	11
Network Controller Kit NK220.....	9
Network Retrofit Kit NK205.....	9
Network Wire Harness Assembly 44088501P.....	11
Nipple	
F420101.....	47, 51
F420103.....	45
F420105.....	45, 47, 51
F420108.....	47, 51
F421921.....	49
F8110201.....	47, 51
F8110601.....	45
No-Swivel Coupling F422109.....	27, 29
Nut	
F430211.....	21
F430215.....	33
F430231.....	11, 17, 31
F430232.....	11
F430233.....	61
F430264.....	21, 31
F431005.....	27, 29
F431011.....	31
F431022.....	27, 29, 33
F431042.....	39
F8322601.....	29
F8549401.....	27, 29, 31
20274.....	35, 37, 59
44087301.....	19
685846.....	9
70030401.....	21, 23
70142.....	35, 37
802292.....	39

802337.....	31
-------------	----

## O

O-Ring	
F0170221-00.....	45
F170200.....	27
F170201.....	29
F170208.....	39
F170215.....	39
Output Assembly F8108501P.....	11
Output Auxiliary Power Harness F8028401.....	11
Output/Logic Harness F8028701.....	9
Overflow Hose F0150488-00.....	55, 57
Overlay F8297101.....	9

## P

Panel Locator 56079.....	21
PC Board Standoff 210098.....	9
Pipe	
F0602364-04.....	35
F0602365-07.....	55
F0602365-11.....	55
F0602365-20.....	55
F0602365-27.....	55, 57
F060236531.....	55
Pipe Nipple	
70263801.....	65
901403.....	65, 67
Plug	
F0200237-00.....	35
F140527.....	13
F420409.....	65, 67
F8144101.....	17
F8223901.....	13, 17
M400985.....	13
Plug Cap F190304.....	39
Pop Rivet	
F431210.....	9, 11, 27, 29, 31
F431215.....	35, 37, 55, 57
70058501.....	17, 23
Power Distribution Block M413865.....	15
Power Distribution Block Cover 44014901P.....	15
Power Harness	
F8060401P.....	11
F8367801.....	11
Pulley	
F280146P.....	59, 61
F280410.....	59, 61
Push Decal F230303.....	27, 29

N/A items do not appear in index.

Push Handle Kit	
F746201-1	27, 29

## R

Rear Bearing Kit	
F745010	59, 61
Rear Drive Box Panel	
F8118302	23
Rear Water Box Panel	
F8118301	23
Rebar Frame Template	
F602941	69
Reducer Bushing	
F421936	19
F422602	55, 57
F8100301	45
Reed Switch Assembly	
F8066801P	31
Reuse Kit	
F924P3	69
Reversing Contactor Harness	
F8131801	17
Reversing Contactor Jumper Assembly	
44136801	17
Right Side Cover	
F8077201	23
F8278101	23
F8352601	25
Right Side Panel	
F8099601P	21
Ring Retainer	
F310206	27, 29
Rivet	
M412763	21
Rocker Switch	
F8367701	9
Rotation Sensor	
F8066201	19
Rotation Sensor Bracket	
F8103101	19
Rotation Sensor Harness	
F8066401	19
Rub Rail	
F150408	21

## S

Screw	
F430103	27, 29
F430168	31
F430174	9
F430502	27, 29
F430518	33
F430903	9, 11, 17
F430909	31
F430910	11
F430913	35, 37
F430916	31
F430917	27, 29, 31, 33, 39
F430921	21
F430924	35, 37
F430927	19, 31

F430938	45
F430948	11, 41, 43
F430956	21, 31
F430993	59
F430995	31
F8111101	19
F8117601	9, 11, 21, 23
F8122701	19
F8136601	13
F8151201	17
F8206901	11, 21, 23, 25
M411072	15, 17, 21
M412105	17
20253	21, 23, 49
39733	15
51780	13, 17
51783	17
70182601	21
70240301	21
70321501	67
70391101	33
70442301	49

Scupper	
F150389	35, 37, 55, 57
Seal Kit	
F798819-00	35, 37
Shaft Lift Tool Kit	
F8436801P	59
Shaft Seal Alignment Fixture	
F0100312-00	69
Shell Band Assembly	
F603344P	33
Shell Band Fastener Kit	
F791001	33
Shell Band Gasket	
F170120RP	33
F8302001	33
Shell Front Assembly	
F200119900P	27, 29
Shell Front Weldment	
F8135801P	27, 29, 33
Shell Gasket Shield	
F601216	33
Shell Mounting Bracket	
F601806	35, 37
Shell Reinforcement Plate Assembly	
F8084201	35, 37, 55, 57
Shell Weldment	
F8081701	35, 65
F8081702	35, 63
F8273301	35, 65
F8273302	35, 63
F8351501	37, 65
F8351502	37, 63
F8366001	67
Side Electrical Panel	
F8352501	25
Side Panel Cover	
F8098301	21
Side Water Box Panel	
F8359001	25
Slinger	
F100203	35, 37
Snap Bushing	
F140938	11
M402542	13, 17

N/A items do not appear in index.

M405340 .....	11
Soap Dispenser Shroud Weldment F8024301 .....	39
Solenoid Mount Bracket F8127501 .....	31
Spin Warning Decal F200085100 .....	39
Spray Nozzle Gasket F8322701 .....	29
Spray Pipe Assembly F8126201 .....	29
F8126203 .....	27
Spray Rinse Bracket Assembly F602901P .....	27, 29, 33
Spray Rinse Hose Assembly F730026 .....	27
F8379701 .....	29
Spray Rinse Nozzle Kit F730077 .....	27
Spray Rinse Strap F602880 .....	27, 29, 33
Spring F310127 .....	61
Steam Assembly F8394501 .....	67
Steam Filter F270307 .....	65, 67
Steam Heat Kit F943P3 .....	67
F947P3 .....	65
Steam Hose F200197 .....	65, 67
Steam Injector Tube Assembly F8368201 .....	65, 67
Steam-Electric Switch Label F8368301 .....	9
Step Down Power Harness F8405101 .....	17
Strain Relief Adapter Kit F749802 .....	39
Strain Relief Connector F140340P .....	39
Strainer F270200 .....	41
Street Elbow F420502 .....	45, 47, 51
F421703 .....	65, 67
H86070034 .....	65
Supply Controls Bracket F8103001 .....	9
Supply Dispenser Spacer F0150525-00 .....	39
Supply/Fill Module Harness F8073601P .....	45, 47
Support Bracket F8302601 .....	23
F8302602 .....	23
Swivel Coupling F422108 .....	27, 29

## T

Tee F420402 .....	47, 51
F422208 .....	49
F422802 .....	55
F422803 .....	55
F8137401 .....	35, 37, 55, 57
F8246601 .....	11
Temperature Harness F8028221P .....	19
F8028223 .....	19
Terminal Block 430642 .....	15
Terminal Block Assembly F8106401 .....	13
Terminal Block Shield 70333001 .....	15
Thermistor Sensor F370609 .....	19
Top Center Panel F8099201 .....	23
Top Cover F8374101 .....	25
Top Latch Bracket Casting F150201P .....	31
Top Support Brace F8099301 .....	23
Transformer F360157P .....	17
201616P .....	11
803527P .....	11
Trim F170400RP .....	35, 37, 39
F170404 .....	23
F8152701 .....	9
F8152703 .....	17
Tubing C000628P .....	59, 61
F8153901 .....	11
F8339601 .....	11

## U

U-Bolt Clamp F200401P .....	45, 47, 51, 65
UniLinc PC and PDA Software CD F8133301 .....	69
F8133701 .....	69
USB Gateway Kit NK330 .....	9
USB IR Interface Kit 203346 .....	69
Use Copper Conductors Only Caution Label F8242201 .....	15

## V

Vacuum Breaker Cap F0380808-00 .....	45
---	----

N/A items do not appear in index.

Vacuum Breaker Valve	
F380800P .....	45
Valve	
F8322801P .....	51, 65, 67
F8322803P .....	45, 49, 53
F8322905P .....	47, 51
Valve Kit	
F8379501P .....	49, 53, 65
Valve Mounting Bracket	
F8331901 .....	43
Valve Rebuild Kit	
F8379502 .....	47, 51
Valve Repair Kit	
F380993P .....	45
Valve Transition Kit	
F8456201P .....	45
Valve, 4-Way	
F381723P .....	41
F8336601 .....	43
Vent Hose	
F8261301 .....	35
F8363601 .....	37

---

## W

Warning Label	
D500049 .....	21
F8233501 .....	9, 23, 25, 45, 51
44324001 .....	11, 15, 21, 23, 25, 35, 37
Washer	
F430300 .....	59
F430317 .....	33
F430332 .....	61
F431100 .....	21, 27, 29, 31
F431108 .....	31
F431112 .....	35, 37
F431113 .....	33
F431116 .....	35, 37
F431118 .....	31
F431133 .....	39
F431134 .....	59
F431147 .....	39
M400013 .....	35, 37
M400014 .....	35, 37, 59
M400080 .....	61
M400081 .....	35, 37, 59
M405535 .....	21
20290 .....	47, 49, 51
803615 .....	47, 49, 51
901690 .....	61
Water Box Bottom Panel	
F8278401 .....	23
Water Box Rear Panel	
F8278201 .....	23
Water Box Side/Front	
F8078601 .....	23
Water Hose	
F200107P .....	35, 37, 55, 57
F200110P .....	41, 43
F200164 .....	47, 49, 51
F200165 .....	47
F200166 .....	47, 49, 51
Water Line Caution Decal	
F230734 .....	23

Water Pressure Switch	
F8223001P .....	11
Water Valve Assembly Decal	
F230754 .....	41
Water Valve Repair Kit	
F380991P .....	47, 51
Wet-Clean Kit	
F923P3 .....	69
F925P3 .....	69
Wire Label	
70218701 .....	15
Wireless Network Kit	
NK301 .....	9

---

## Y

Y Connector	
F422816 .....	41, 43

---

N/A items do not appear in index.