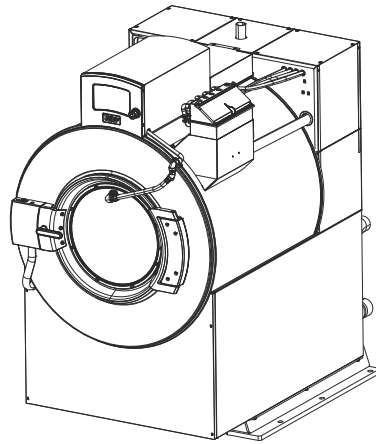


Washer-Extractor

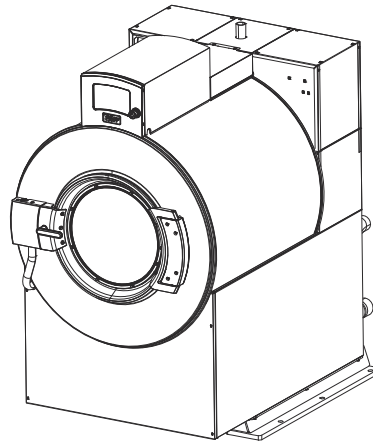
Pocket Hardmount

Refer to Page 3 for Model Numbers



C-PHM2P18

UniLinc Models



C-PHM2P19

M30 Models

PHM1432C_F8672801

Table of Contents

Title	Page
Parts Ordering Information.....	2
Serial Plate Location	2
Model Identification	3
Pocket Hardmount Washer-Extractor Product Overview	4
Labels	6
Control Module.....	8
Inverter Drive Box (Drawing 1 of 2).....	10
Inverter Drive Box (Drawing 2 of 2).....	12
Vibration Switch and Temperature Probe	14
Panels	16
Front Bulkhead, Drive Box and Water Supply Box Panels	18
Front Bulkhead, Drive Box and Water Supply Box Trim	20
Rear Bulkhead	22
Spray Tube Assembly	24
Door	26
Door Lock.....	28
Shell Front and Basket.....	30
Shell Frame and Seal	32
Supply Dispenser	34
Chemical Injection.....	36
Water Supply Valve and Hoses to Supply Dispenser	38
Fill Plumbing Assembly	40
Spray Plumbing Assembly	42
Drain Plumbing	44
Motor and Pulley	46
Bearing Housing	48
Electric Heat Option	50
Steam Heat Option	52
Special Tools and Kits	54
Parts Index.....	57

© Copyright 2021, Alliance Laundry Systems LLC

All rights reserved. No part of the contents of this book may be reproduced or transmitted in any form or by any means without the expressed written consent of the publisher.

Parts Ordering Information

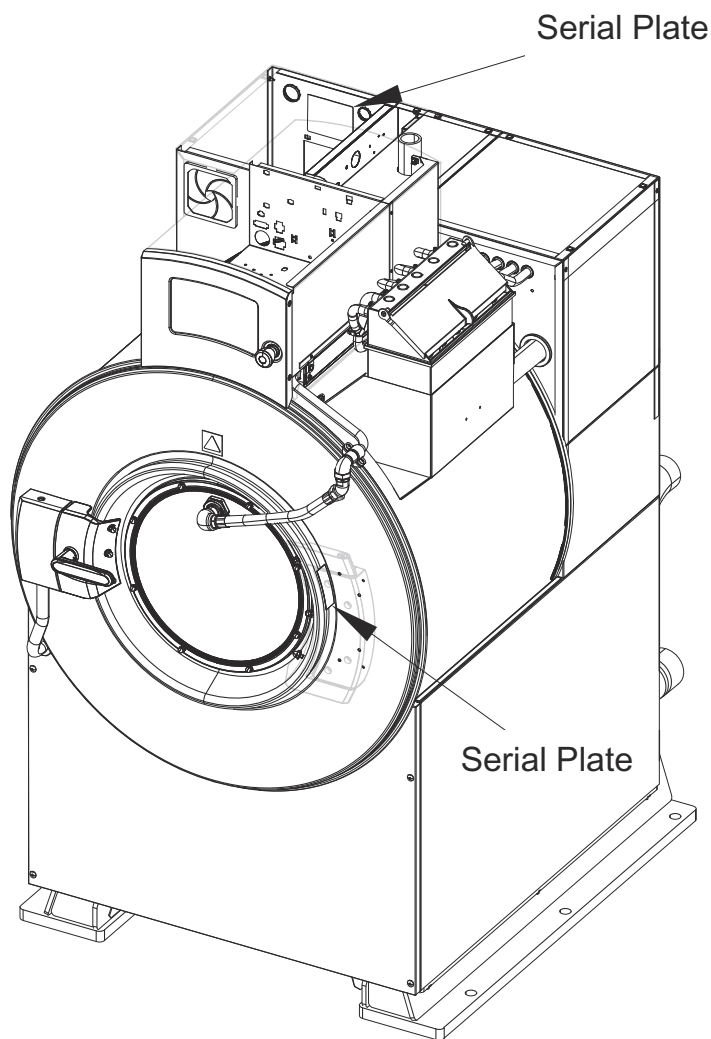
If literature or replacement parts are required, contact the source from whom the machine was purchased or contact Alliance Laundry Systems at (920) 748-3950 for the name and address of the nearest authorized parts distributor.

For technical assistance, call the number listed below:

(920) 748-3121 Ripon, Wisconsin

Serial Plate Location

When calling or writing about your product, be sure to mention model and serial numbers. Model and serial numbers are located on serial plate(s) as shown.



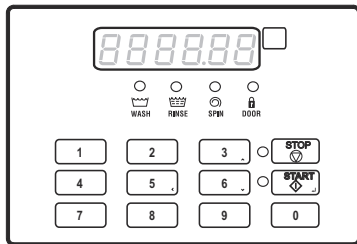
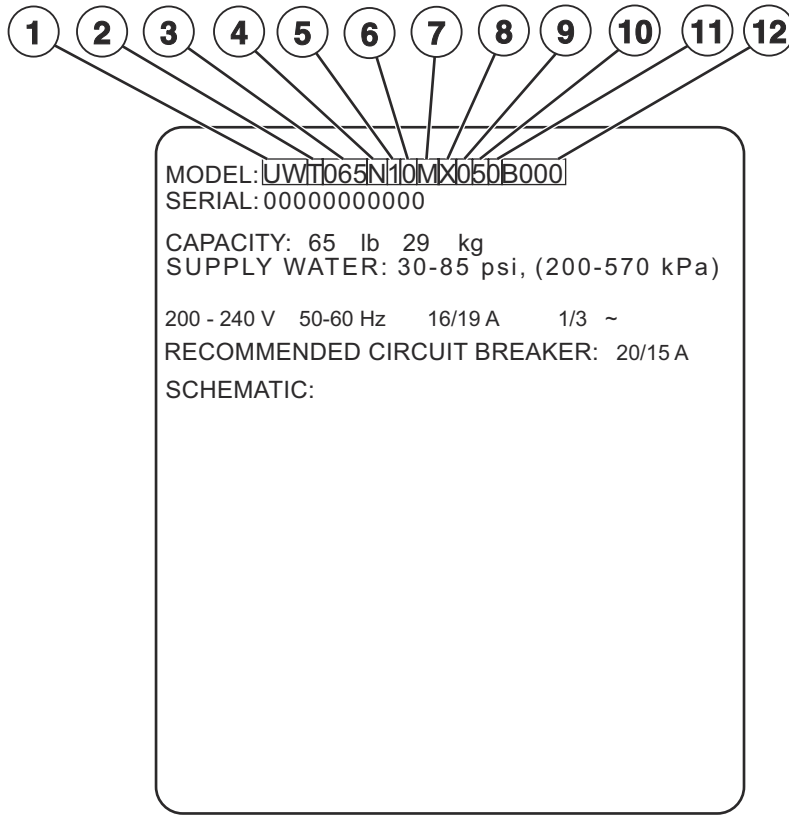
C-PHM2C2_F8672801

Model Identification

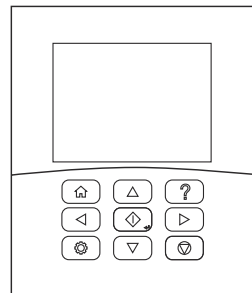
Information in this manual is applicable to these washer-extractor models:

UWG045D3	UWK045D3
UWG045D4	UWK045D4
UWG045N1	UWK045N1
UWG045N2	UWK045N2
UWG065D3	UWK065D3
UWG065D4	UWK065D4
UWG065N1	UWK065N1
UWG065N2	UWK065N2
UWH045D3	UWT045D3
UWH045D4	UWT045D4
UWH045N1	UWT045N1
UWH045N2	UWT045N2
UWH065D3	UWT065D3
UWH065D4	UWT065D4
UWH065N1	UWT065N1
UWH065N2	UWT065N2
UWJ045D3	UWU045D3
UWJ045D4	UWU045D4
UWJ045N1	UWU045N1
UWJ045N2	UWU045N2
UWJ065D3	UWU065D3
UWJ065D4	UWU065D4
UWJ065N1	UWU065N1
UWJ065N2	UWU065N2

Pocket Hardmount Washer-Extractor Product Overview



M30 Control



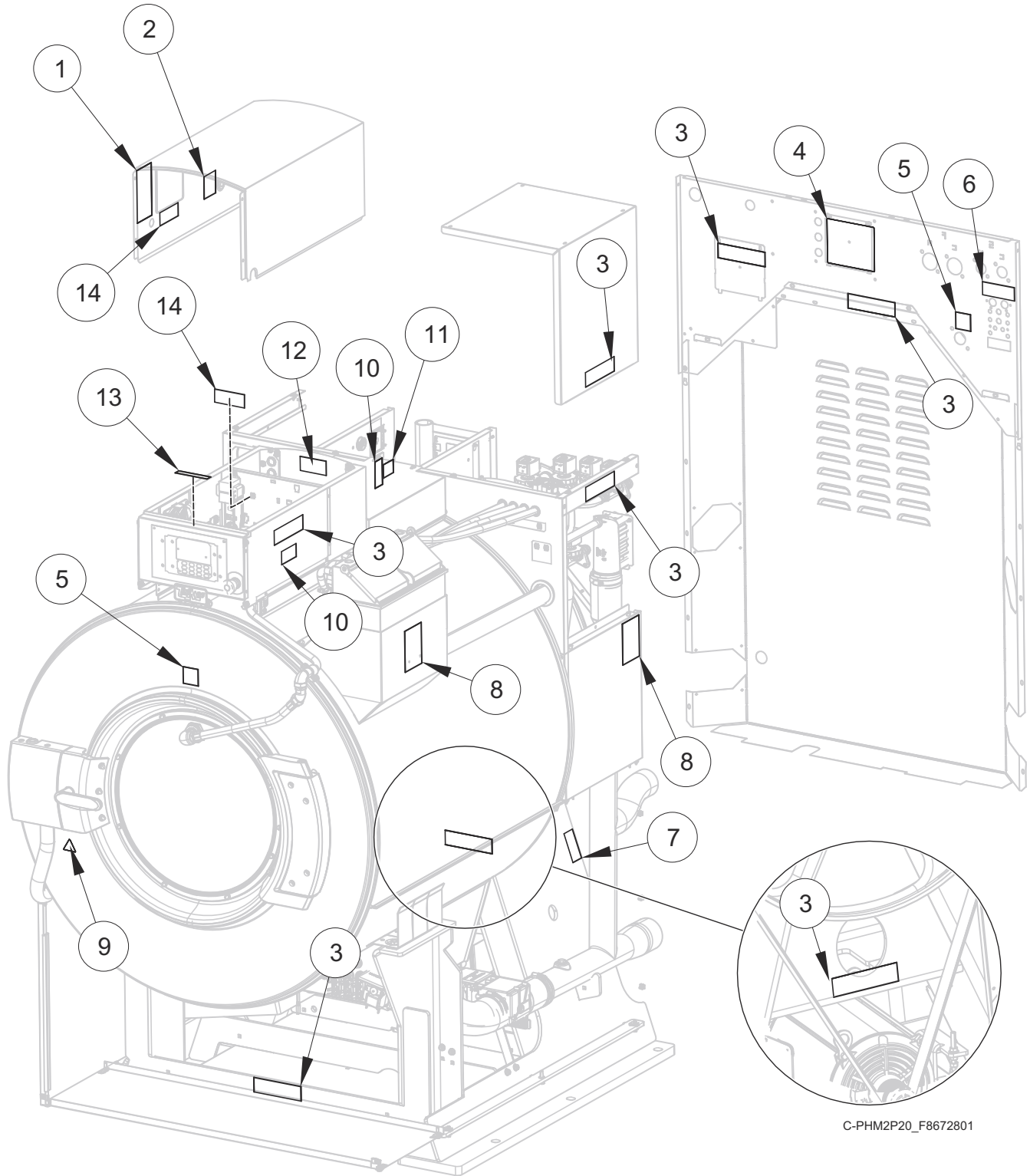
UniLinc Control

PHM3335P_F8672801

Pocket Hardmount Washer-Extractor Product Overview

REF	PART NO.	DESCRIPTION	COMMENTS
1	-	Product Family	UW
2	-	Market Approvals	G (UL International) H (China-ROHS) J (Japan) K (Korea) T (UL North America) U (CE/EAC)
3	-	Capacity (Dry Weight in Pounds)	045 065 085 105 130 160 200
4	-	Control	N (M30 Control) D (UniLinc Control)
5	-	Spray/Dispenser Feature	1 (No spray but with dispenser) 2 (No spray or dispenser) 3 (With spray and dispenser) 4 (With spray but no dispenser)
6	-	Open Digit	0 (Standard)
7	-	Speed	L (Low-Speed - 100G) M (Medium-Speed - 200G) V (Variable-Speed - 300G or 400G)
8	-	Voltage	X (200-240/50-60/1/3) Q (200-240/50-60/3) P (380-415/50/60/3) N (440-480/50/60/3)
9	-	Open Digit	0 (Standard)
10	-	Design Series	5
11	-	Heat Feature	0 (Standard/prep for steam heat) D (Direct steam) E (Electric heat) T (Electric and steam heat)
12	-	Features and Options	

Labels

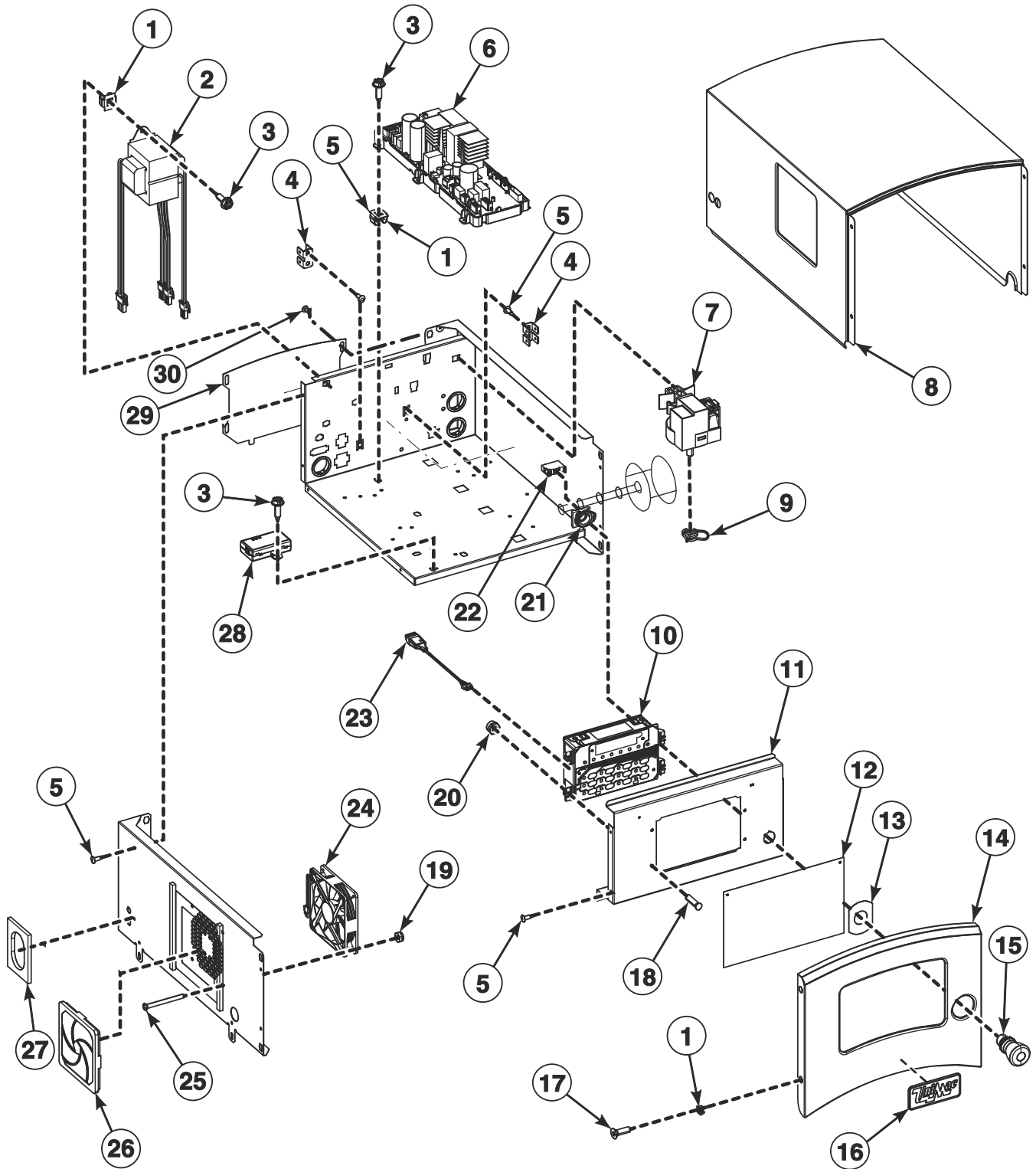


C-PHM2P20_F8672801

Labels

REF	PART NO.	DESCRIPTION	COMMENTS
1	F8614801	Label	Warning fire/injury; English/Quebec/French
2	F8613701	Label	Notice grease instruction; English/Quebec/French
3	44324001	Warning Label	
	F8614201	Shock Warning Label	Icon
	F8615701	Pinch Warning Label	Icon
4	F8611601	Warning Label	Warning; English/Quebec/French
5	F8614301	Hot Surface Warning Label	English/Quebec/French
	F8609001	Hot Surface Warning Label	Icon
6	F8609801	Label	Notice drill ports; English/Quebec/French
7	70538401	Pinch Warning Label	English/French
	F8615701	Pinch Warning Label	Icon
8	F8615901	Label	Warning chemical; English/Quebec/French
9	F8614201	Shock Warning Label	Icon
10	F8601301	Label	Warning underground components
11	F8620801	Label	Warning current leakage
12	F8614401	Shock Warning Label	English/French
	F8614201	Shock Warning Label	Icon
13	F8614501	Danger Label	English/Quebec/French
14	F8614601	Label	Warning; Notice clean filter; English/Quebec/French

Control Module

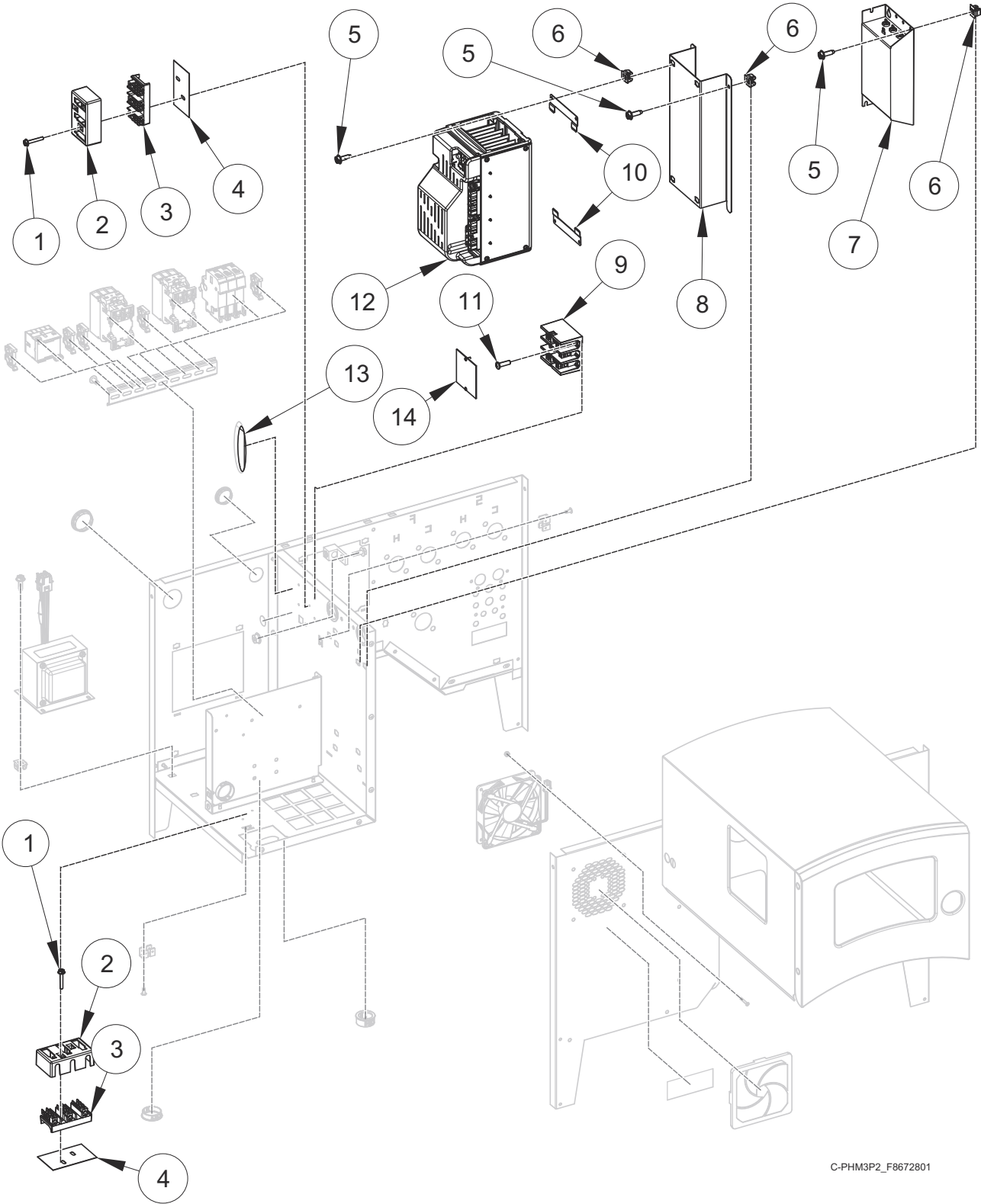


C-PHM2P30_F8672801

Control Module

REF	PART NO.	DESCRIPTION	COMMENTS
	F8519404	E-Stop Harness	
	F8566501	Module Box Fan Harness	
	F8566201	Module Box Power Harness	
	F8520407	Wireless Harness	
	F8519503	Installation/Operation Communication Harness	
	F8555501	Module Box Assembly	Models ending in D3 and D4; Includes items 1-7, 9-11, 13, 15, 18, 20-26, 28, F190701 Grease Fitting, F422114 Connector, box panels, hardware and harnesses
	F8555502	Module Box Assembly	Models ending in N1 and N2; Includes items 1-7, 9-11, 13, 15, 18, 20-26, 28, F190701 Grease Fitting, F422114 Connector, box panels, hardware and harnesses
	F8598302	Harness	Thermistor
	F8566301	Harness	24VAC; Configuration Harness
	F8617901	Harness	USB Interface
1	70030501	Expansion Clip	
2	202758	Transformer	220/24V
3	F8206901	Screw	
4	00622SG	Terminal	Male
5	M400003	Pop Rivet	
6	F8494101P	Input and Output Control Assembly	
7	F8623401	Pressure Sensor	
	F8405301	Hose	
8	F8412503	Module Box Top	45 pound models
	F8412504	Module Box Top	65 pound models
9	39282	Hose Clamp	
10	F8493902	Control Assembly	Models ending in N1 and N2
	F8616203	Control Assembly	Models ending in D3 and D4
11	F8555703	Control Plate	Models ending in N1 and N2
	F8555701	Control Plate	Models ending in D3 and D4
12	F8612901	Control Decal	Models ending in N1 and N2
	F8665501	Control Decal	Models ending in D3 and D4
13	44012902	Emergency Stop Label	
14	F8664201	Module Box Front Panel	Includes item 16
15	F200233500	Emergency Stop Pushbutton	
16	F8443105	Nameplate	
17	F8413701	Screw	
18	F8590801	Stud	
19	F430231	Nut	
20	685846	Nut	
21	F8538101	Contact Base	
22	F8069501	Contact Switch	
23	203361P	Machine ID Control Assembly	
24	F8623601	Fan	
25	F8151201	Screw	
26	F8578501	Filter Retainer Guard	
27	F8617601	Seal Pad	
28	203440	USB-Serial Interface Assembly	
29	F8408901	Module Box Panel	Rear
30	F8117601	Screw	

Inverter Drive Box (Drawing 1 of 2)

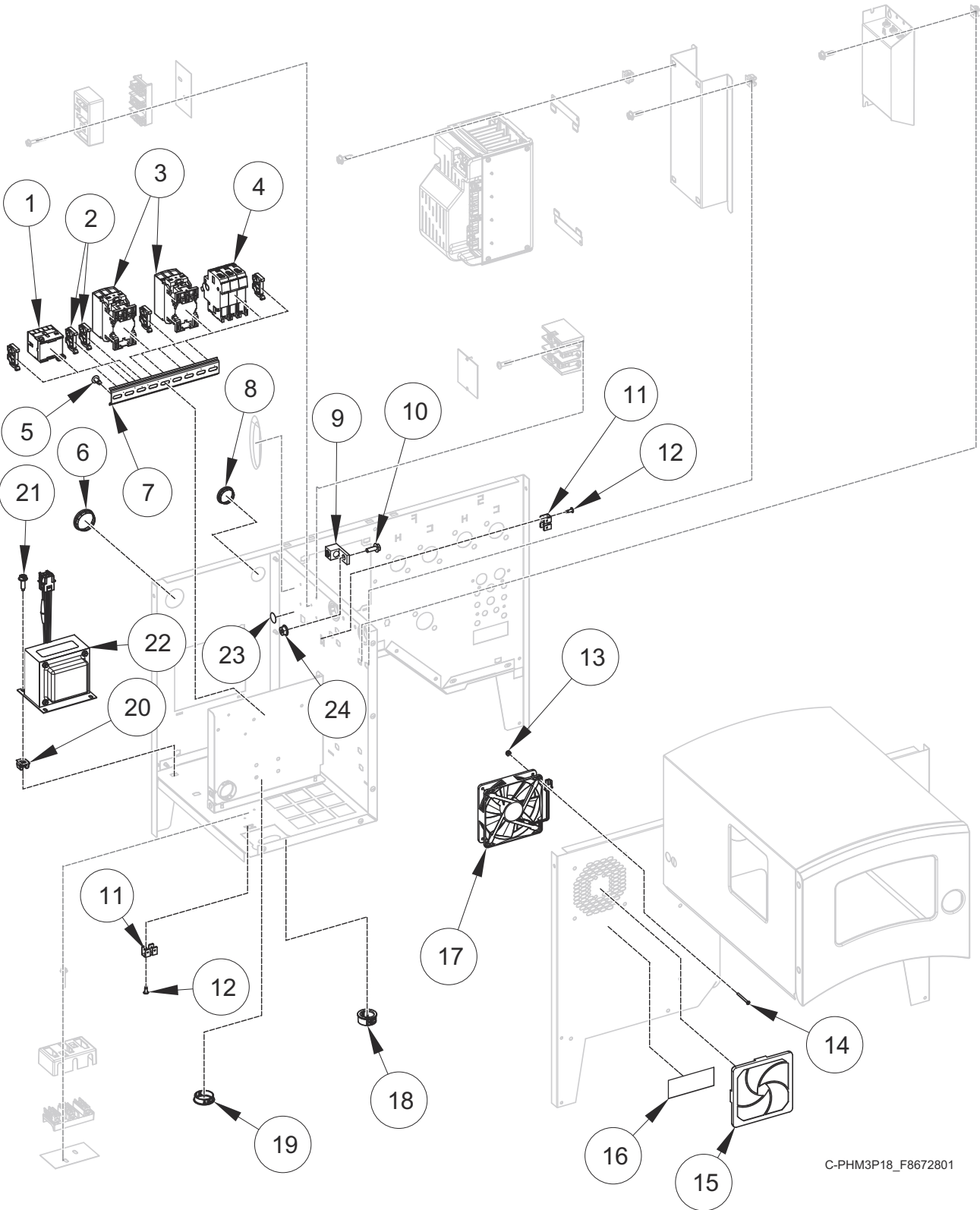


C-PHM3P2_F8672801

Inverter Drive Box (Drawing 1 of 2)

REF	PART NO.	DESCRIPTION	COMMENTS
	F8565401	Control Power Harness	UWU models with Q and X voltage
	F8565402	Control Power Harness	UWG, UWH, UWJ, UWK and UWT models with Q voltage; Electric heat
	F8565601	Power Harness	UWU models with N and P voltage
	F8565602	Power Harness	UWG, UWH, UWJ, UWK and UWT models with N and P voltage; Electric heat
	F8565501	Power Harness	UWG, UWH, UWJ, UWK and UWT models with N, P and X voltage
	F8565502	Power Harness	UWG, UWH, UWJ, UWK and UWT models with N, P and Q voltage; Electric heat
	F8565801	Power Harness	UWU models with N, P, Q and X voltage
	F8582801	Power Harness	UWG, UWH, UWJ, UWK and UWT models with N, P, Q and X voltage
	F8565701	Drive Communication Harness	
	F8662102	Filter Kit	N and P voltage; Includes items 1-6, 8, F8637501 Filter, F140700 Connector, harnesses and hardware
	F8662104	Filter Kit	N and P voltage with heat; Includes items 1-6, 8, F8637501 Filter, F140700 Connector, harnesses and hardware
	F8662103	Filter Kit	Q voltage; Includes items 1-6, 8, F8591801 Filter, F140700 Connector, harnesses and hardware
	F8662101	Filter Kit	X voltage; Includes items 1-6, 8, F8591801 Filter, F140700 Connector, harnesses and hardware
1	51783	Screw	
2	70333001	Terminal Block Shield	
3	430642	Terminal Block	
4	M413862	Insulator	
5	F8206901	Screw	
6	70030501	Expansion Clip	
7	F8591801	EMI Filter	200/240; 1/3PH
	F8637501	EMI Filter	380/480; 3PH
8	F8601101	Drive Mounting Bracket	
9	M413865	Power Distribution Block	
10	F8322401	Drive Mounting Bracket	Use with items 7 and 11
11	39733	Screw	
12	F8496601	Drive Assembly	240 Volt
	F8496901	Drive Assembly	450 Volt
13	44286803	Label	
14	44014901P	Power Distribution Block Cover	

Inverter Drive Box (Drawing 2 of 2)

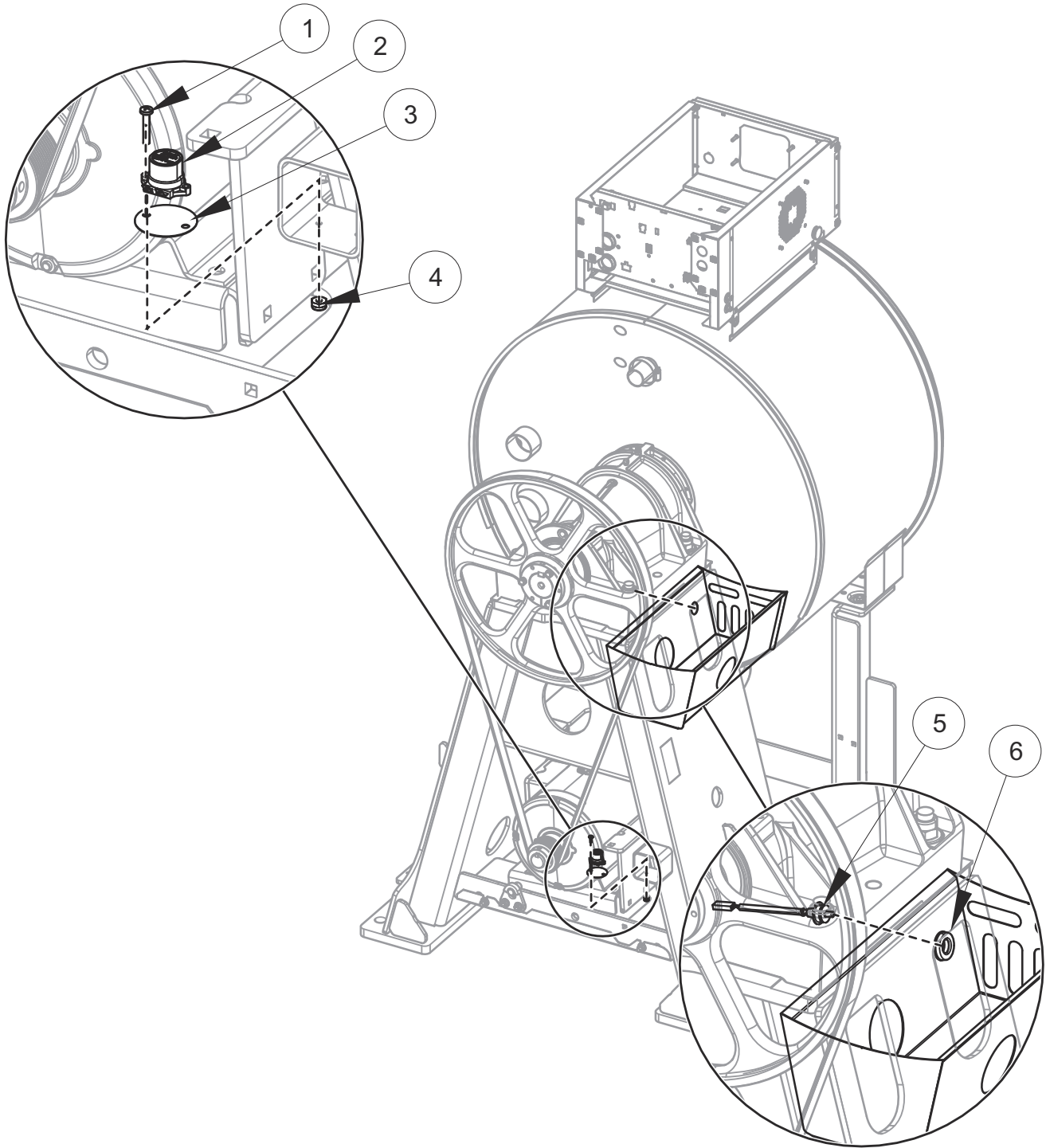


C-PHM3P18_F8672801

Inverter Drive Box (Drawing 2 of 2)

REF	PART NO.	DESCRIPTION	COMMENTS
1	70482601	Contactora	5.5kW; 500V: AC3; 24VDC
2	F8449801	End Stop	
3	70482701	Contactora	Electric heat; 50A; 24VDC
4	70488101	Circuit Breaker	3P; 25A
5	70058501	Pop Rivet	
6	F8223801	Hole Plug	
7	F8134101	DIN Rail	
8	F8223901	Plug	
9	M411283	Ground Lug Connector	
10	685837	Screw	
11	00622SG	Terminal	Ground
12	M400003	Pop Rivet	
13	F430231	Nut	
14	F8151201	Screw	
15	F8578501	Filter Retainer Guard	
16	F8614601	Label	Warning
17	F8623601	Fan	
18	44071501	Snap Bushing	
19	70346501	Bushing	
20	70030501	Expansion Clip	
21	F8206901	Screw	
22	F8512001	Transformer	230/400/460V
23	D516100	Label	
24	44088001	Nut	

Vibration Switch and Temperature Probe

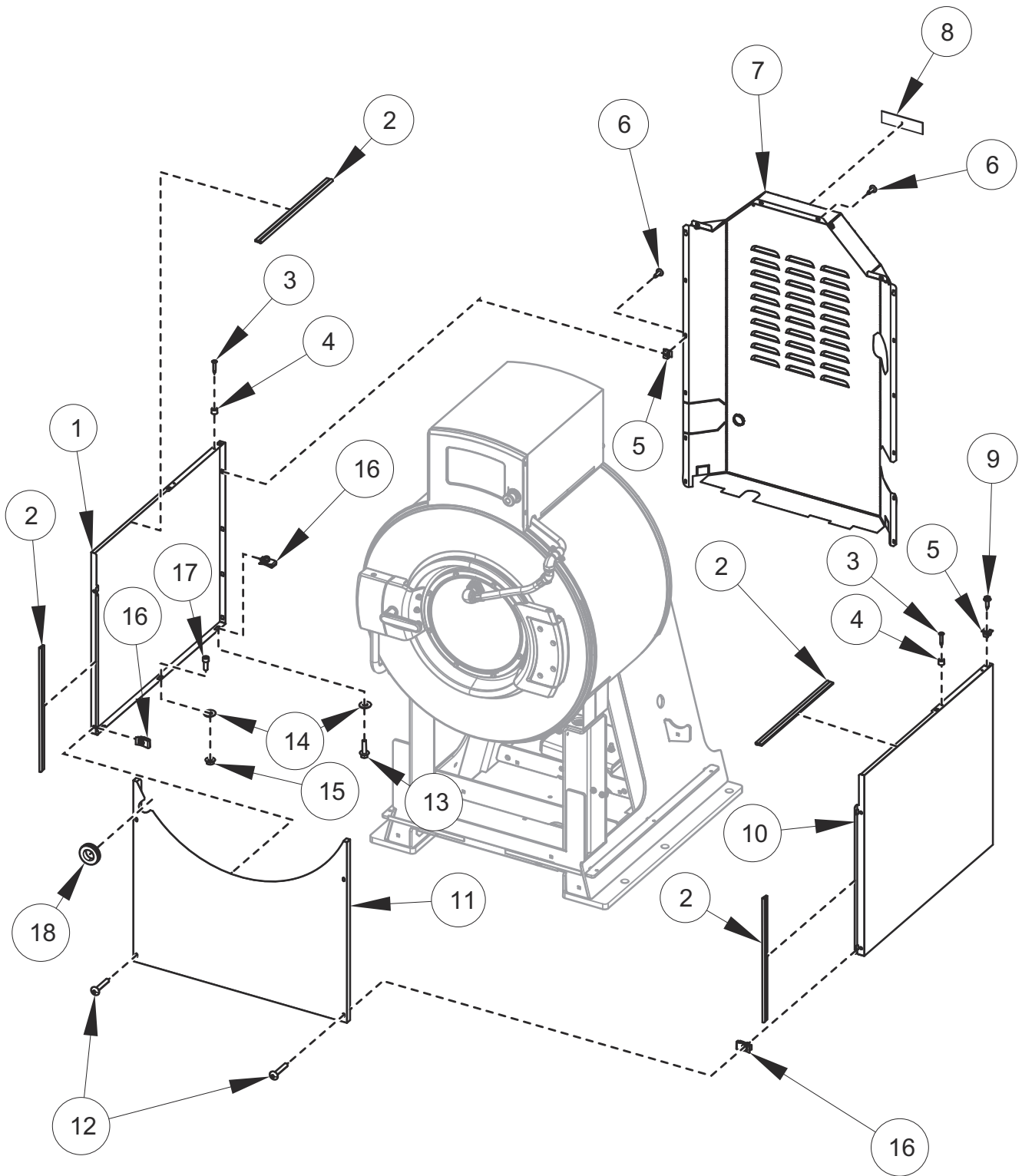


C-PHM3P25_F8672801

Vibration Switch and Temperature Probe

REF	PART NO.	DESCRIPTION	COMMENTS
1	M401938	Screw	
2	F8204001	Vibration Switch	
3	F8337301	Vibration Switch Shield	
4	F430225	Nut	
5	F8538801	Thermistor	
6	2251000400	Temperature Probe Grommet	

Panels

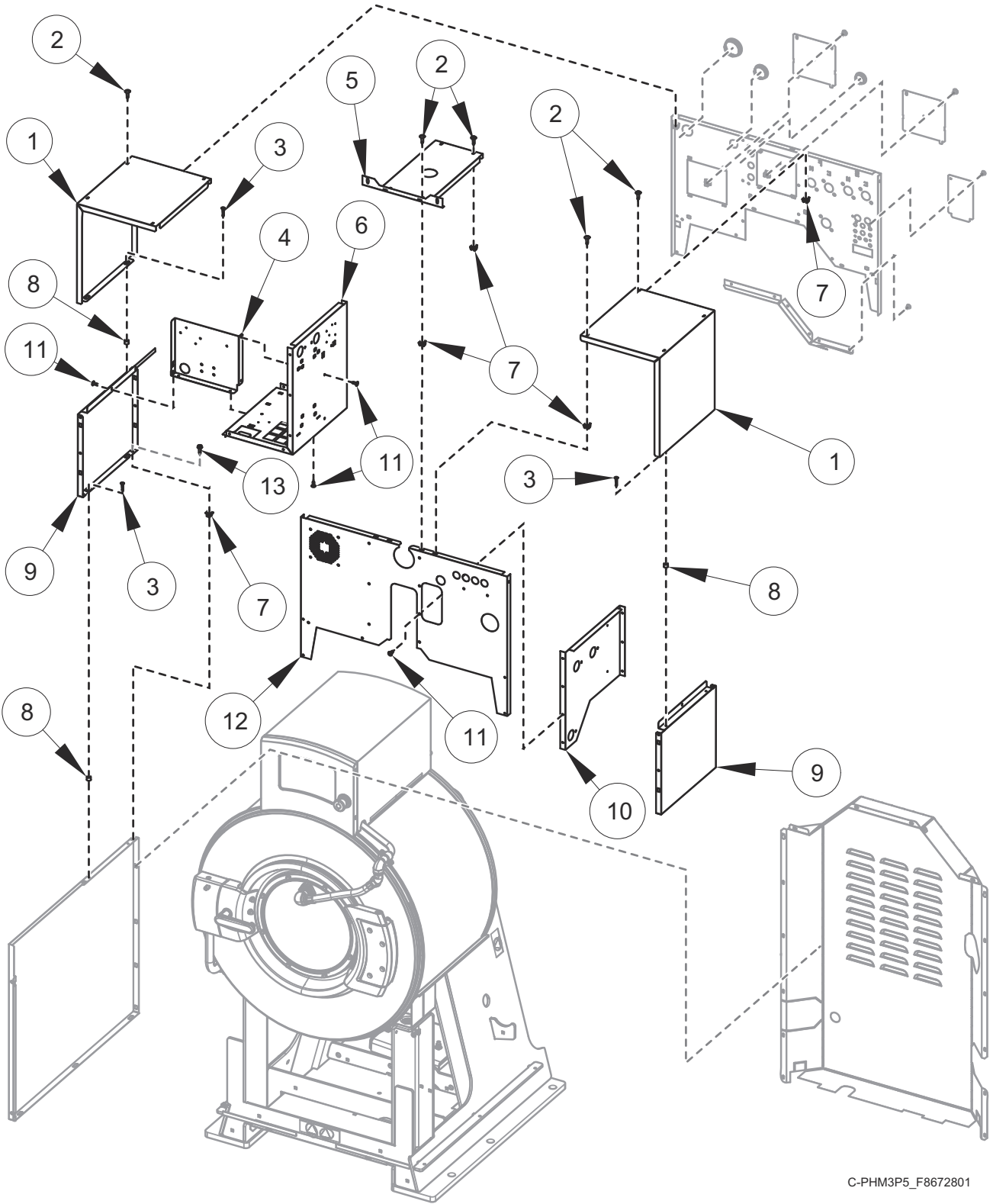


C-PHM3P4_F8672801

Panels

REF	PART NO.	DESCRIPTION	COMMENTS
1	F8407902	Left Side Panel	45 pound models
	F8407904	Left Side Panel	65 pound models
2	F8412801	Trim	45 pound models
	F8412802	Trim	65 pound models
3	M412763	Rivet	
4	56079	Panel Locator	
5	70030501	Expansion Clip	
6	F8117601	Screw	
7	F8487901	Belt Guard Assembly	
8	44324001	Warning Label	English/French; Pinch/shock
	F8614201	Shock Warning Label	Icon
	F8615701	Pinch Warning Label	Icon
9	F8206901	Screw	
10	F8407901	Right Side Panel	45 pound models
	F8407903	Right Side Panel	65 pound models
11	F8408001	Front Panel	
12	F8560601	Screw	
13	202175	Screw	
14	M405535	Washer	
15	44087101	Nut	
16	70030401	Nut	
17	F8458801	Screw	
18	F170604	Grommet	

Front Bulkhead, Drive Box and Water Supply Box Panels

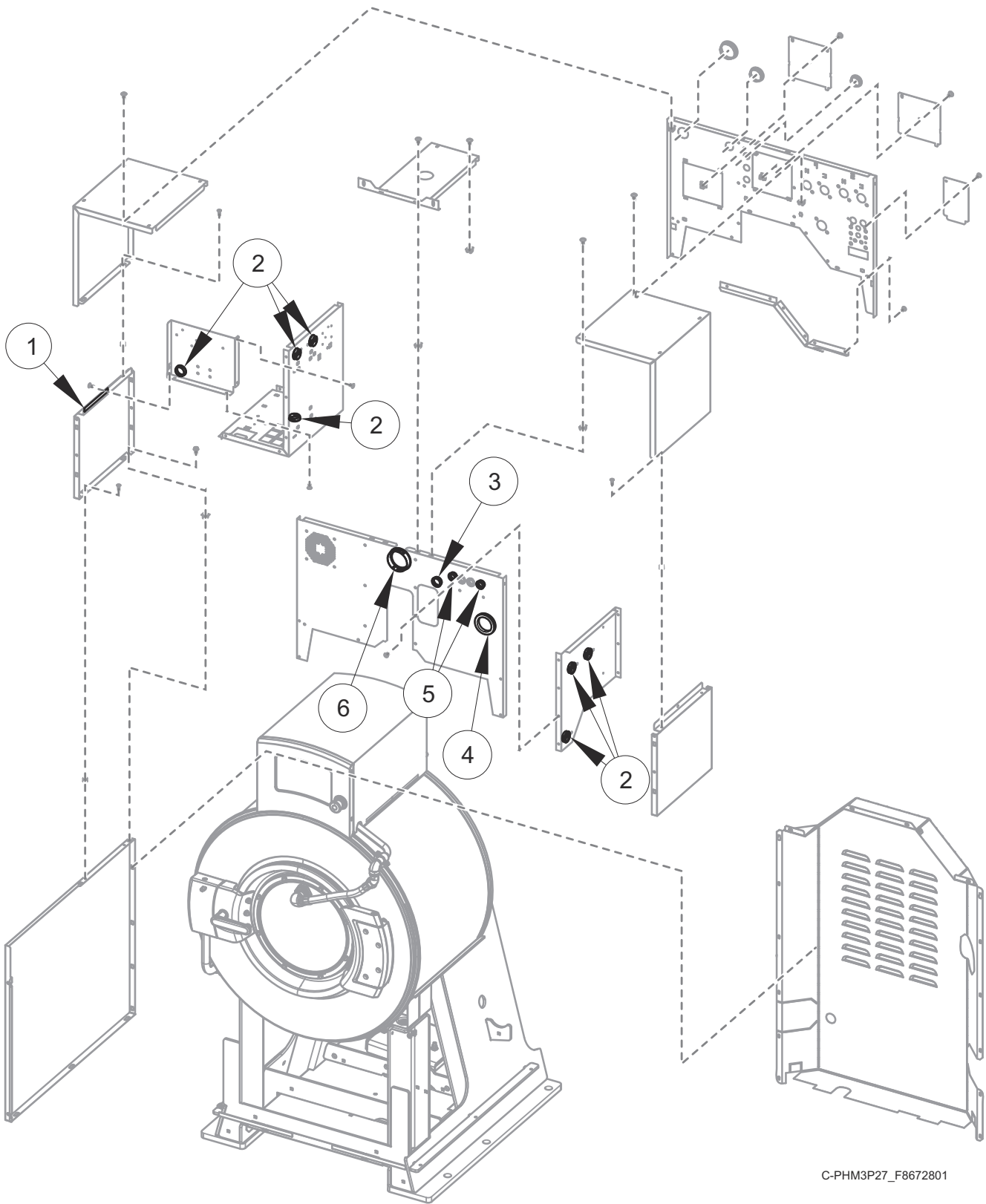


C-PHM3P5_F8672801

Front Bulkhead, Drive Box and Water Supply Box Panels

REF	PART NO.	DESCRIPTION	COMMENTS
1	F8596801	Top Cover	
2	F8117601	Screw	
3	M412763	Rivet	
4	F8571201	Drive Box Partition Panel	
5	F8608301	Top Cover	
6	F8571001	Drive Mounting Panel	
7	70030501	Expansion Clip	
8	56079	Panel Locator	
9	F8577401	Bulkhead Panel	
10	F8578601	Bulkhead Brace	
11	70058501	Pop Rivet	
12	F8577702	Bulkhead Panel	Models with 1 or 3 in the 8th position
	F8577701	Bulkhead Panel	Models with 2 or 4 in the 8th position
13	F8206901	Screw	

Front Bulkhead, Drive Box and Water Supply Box Trim

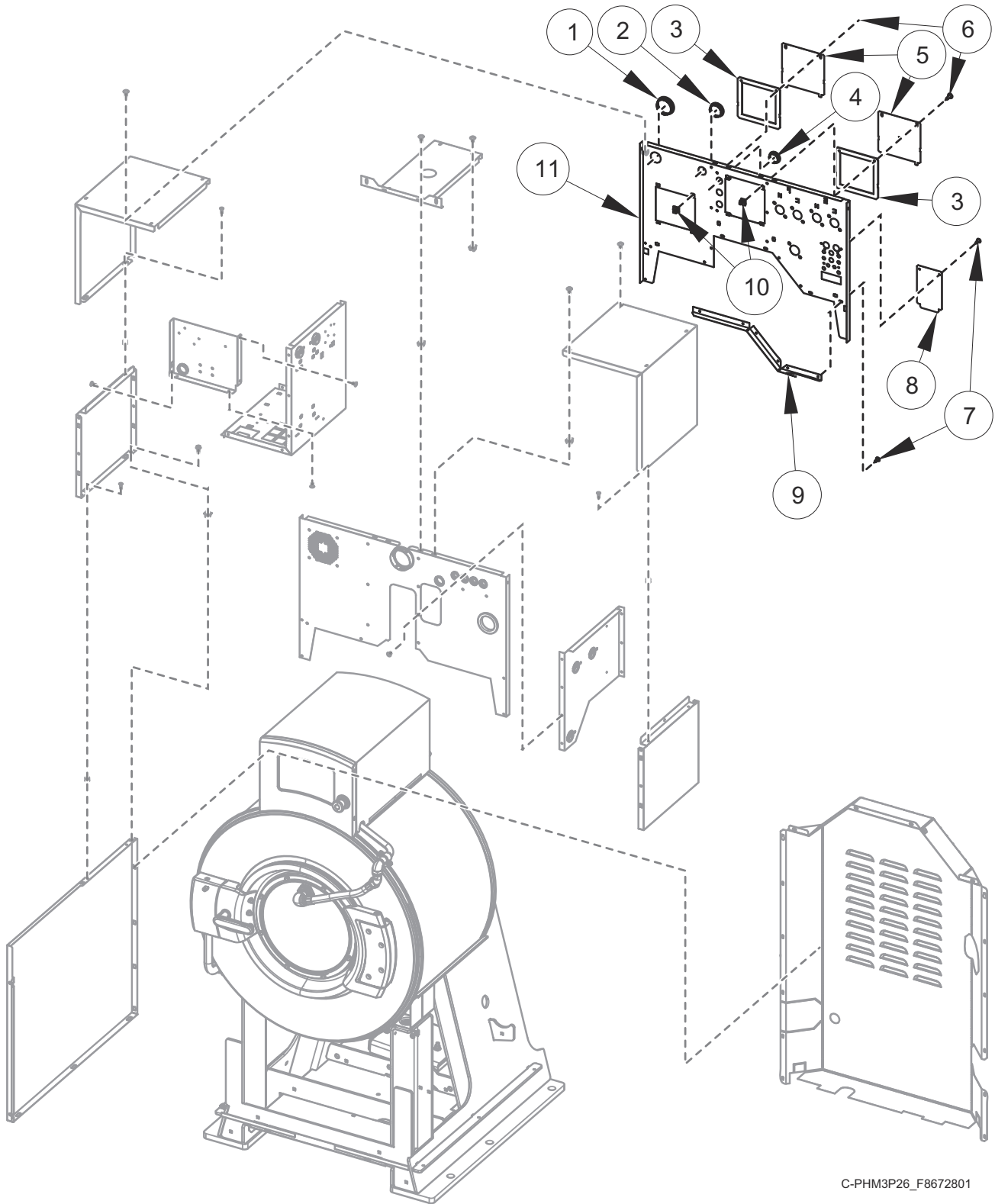


C-PHM3P27_F8672801

Front Bulkhead, Drive Box and Water Supply Box Trim

REF	PART NO.	DESCRIPTION	COMMENTS
1	70531801	Label	
2	70346501	Bushing	
3	70203901	Snap Bushing	
4	F8528401	Grommet	
5	F140938	Snap Bushing	
6	F8332501	Snap Bushing	

Rear Bulkhead



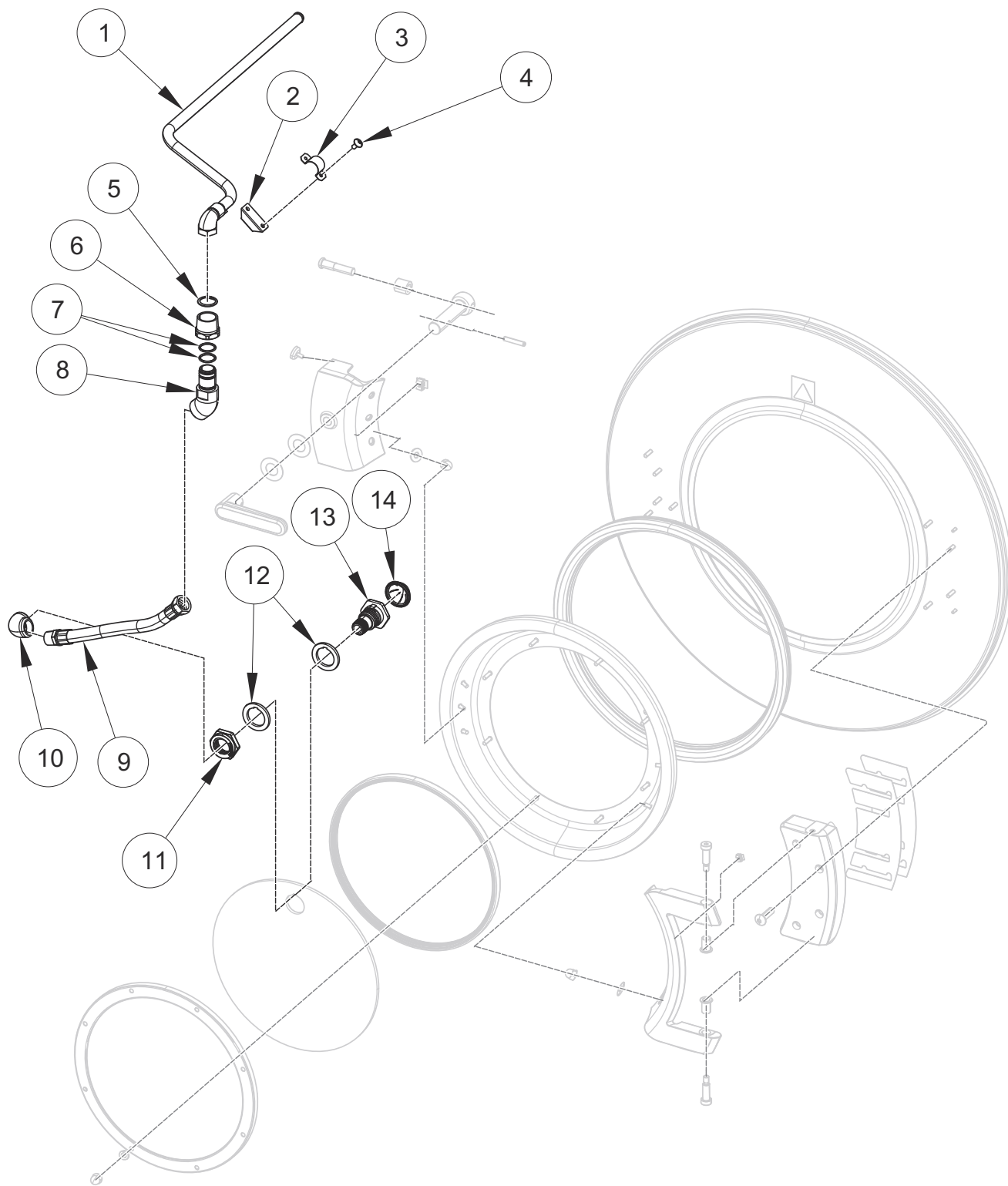
C-PHM3P26_F8672801

Rear Bulkhead

REF	PART NO.	DESCRIPTION	COMMENTS
1	F8223801	Hole Plug	
2	F8223901	Plug	
3	F8609301	Chemical Cover Gasket	
4	M400985	Plug	
5	F8561601	Chemical Connection Cover	
6	F8117601	Screw	
7	70058501	Pop Rivet	
8	F8338602	Dispenser Cover	
9	F8439101	Rear Bulkhead Edging	
10	70030501	Expansion Clip	
11	F8561101	Bulkhead Panel	

Spray Tube Assembly

Models with 3 or 4 in the 8th Position

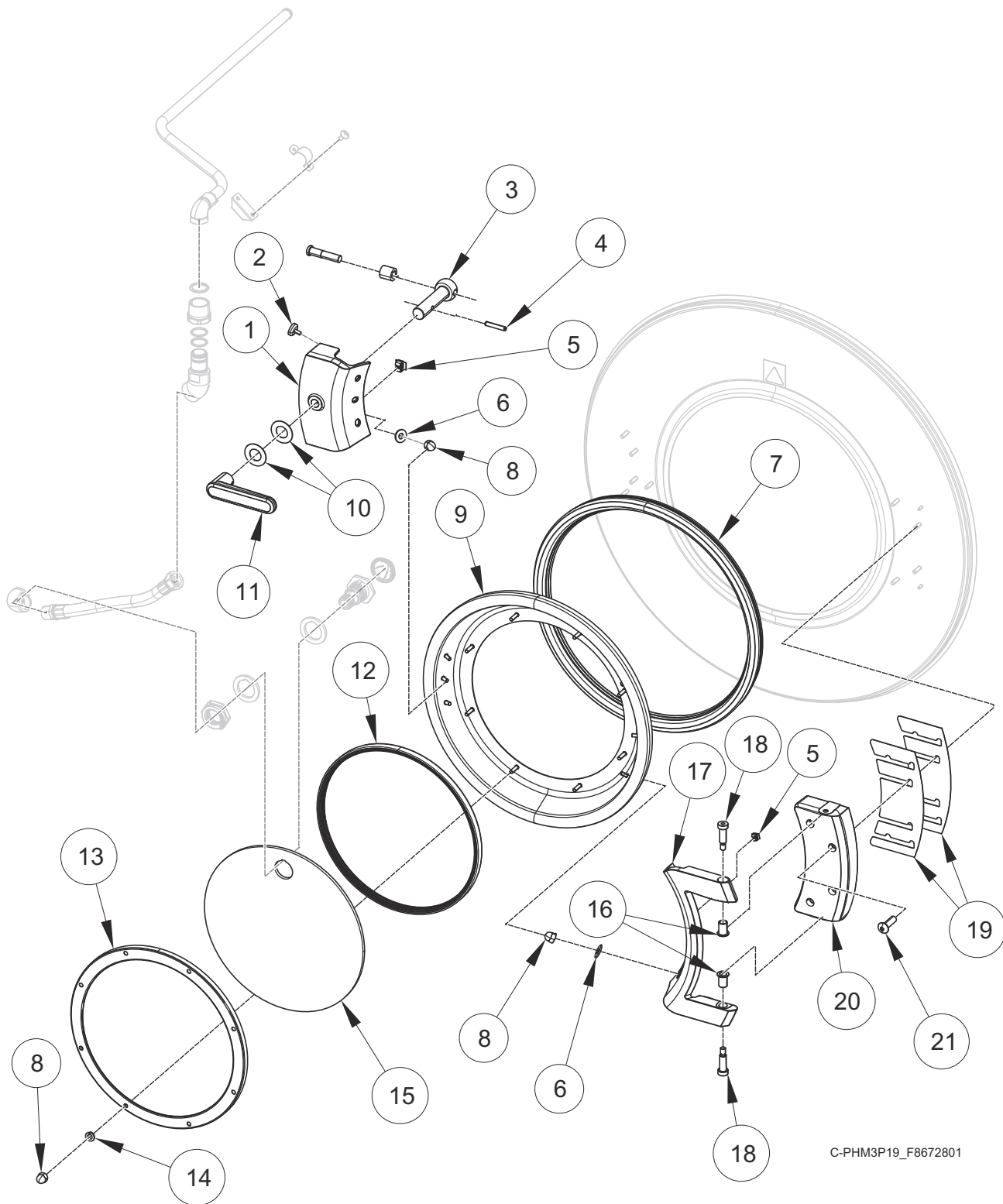


C-PHM3P6_F8672801

Spray Tube Assembly

REF	PART NO.	DESCRIPTION	COMMENTS
	F8504001	Swivel Coupling Assembly	Includes items 5-8
1	F8332302	Spray Rinse Tube Assembly	45 pound models
	F8332301	Spray Rinse Tube Assembly	65 pound models
2	F8451101	Spray Rinse Bracket	
3	F8451701	Spray Rinse Strap	
4	431287	Screw	
5	F310206	Ring Retainer	
6	F8453801	Swivel Coupling Bushing	
7	F170200	O-Ring	
8	F8503901	Swivel Coupling Body	
9	F8508201	Spray Rinse Hose	
10	F8453701	Elbow	
11	F8322601	Nut	
12	F8322701	Spray Nozzle Gasket	
13	F8356101	Door Spray Fitting	
14	F8356301	Door Spray Nozzle Assembly	

Door

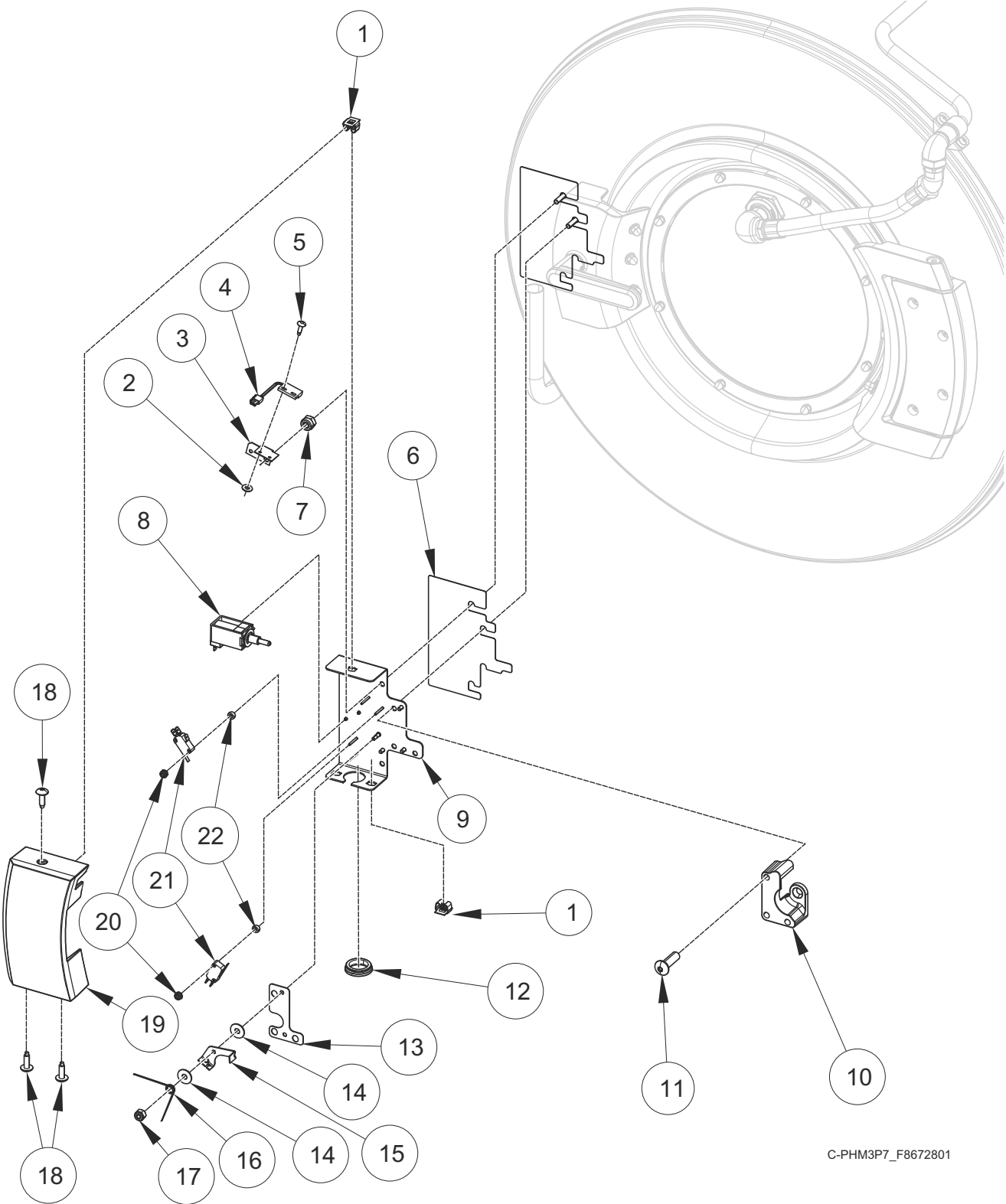


C-PHM3P19_F8672801

Door

REF	PART NO.	DESCRIPTION	COMMENTS
	F8531701	Door Assembly	Models with 1 or 2 in the 8th position; Includes items 1-4 and 6-20
	F8531702	Door Assembly	Models with 3 or 4 in the 8th position; Includes items 1-4 and 6-20
1	F8435701	Handle Mount	
2	F8406201	Magnet	
3	F8221403	Door Latch Arm Assembly	Includes latch arm support and bearing sleeve
4	F431222	Spring Pin	
5	70030501	Expansion Clip	
6	F431147	Washer	
7	F8508501	Door Gasket	
8	F8549401	Nut	
9	F8308001	Door Weldment	
10	F431916	Washer	
11	F8435501	Door Handle	
12	F8499901	Door Glass Gasket	
13	F8323301	Door Glass Retainer	
14	F431100	Washer	
15	C000191	Door Glass	Models with 1 or 2 in the 8th position
	F8323401P	Door Glass	Models with 3 or 4 in the 8th position
16	F8378701	Bushing	
17	F8436001	Door Hinge	
18	F8549301	Bolt	
19	F8398301	Door Hinge Shim	
20	F8435901	Door Lug Hinge	
21	F8270701	Bolt	

Door Lock

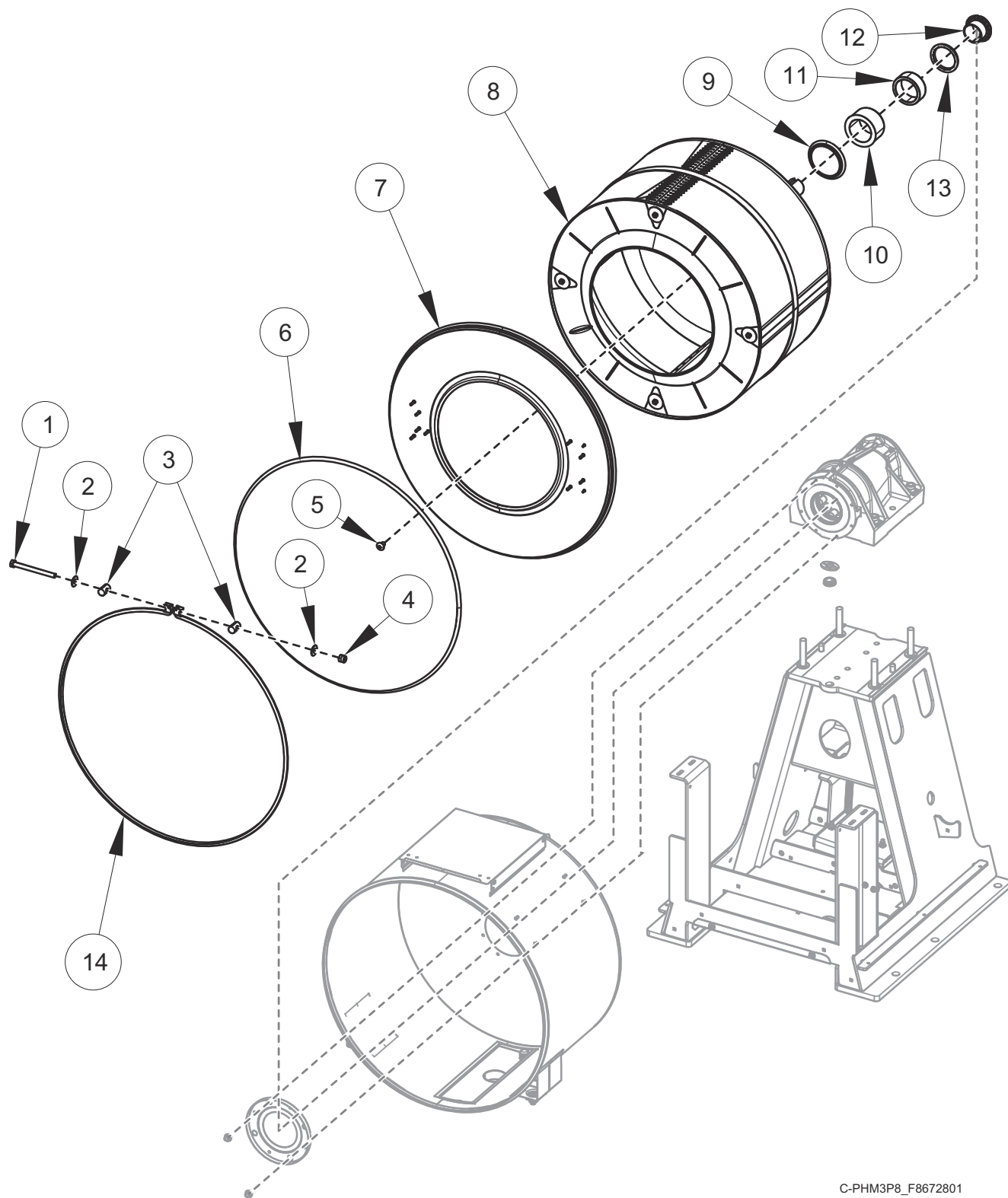


C-PHM3P7_F8672801

Door Lock

REF	PART NO.	DESCRIPTION	COMMENTS
	F8565901	Door Lock Harness	
	F8571801	Door Interlock Harness	
	F8606201	Door Lock Assembly	Includes items 1-5, 8, 9, 14-17, 20-22 and F430977 Screw
1	70030501	Expansion Clip	
2	F431125	Washer	
3	F8402601	Reed Switch Bracket	
4	F8066804	Reed Switch Assembly	
5	F8245101	Blind Rivet	
6	F8489601	Door Lock Plate Shim	
7	F431024	Nut	
8	F8630601	Solenoid	
9	F8320401	Door Lock Plate Assembly	
10	F8344501	Door Lock Catch	
11	F8270701	Bolt	
12	F8457801	Grommet	
13	F8484401	Shim	
14	F8193101	Washer	
15	F8223401	Door Lock Switch Lever	
16	F8070301	Torsion/Door Lock Spring	
17	F430232	Nut	
18	F8117601	Screw	
19	F8435801	Door Lock Cover	
20	F430225	Nut	
21	F200203200	Door Lock Microswitch	
22	F431901	Spacer	

Shell Front and Basket

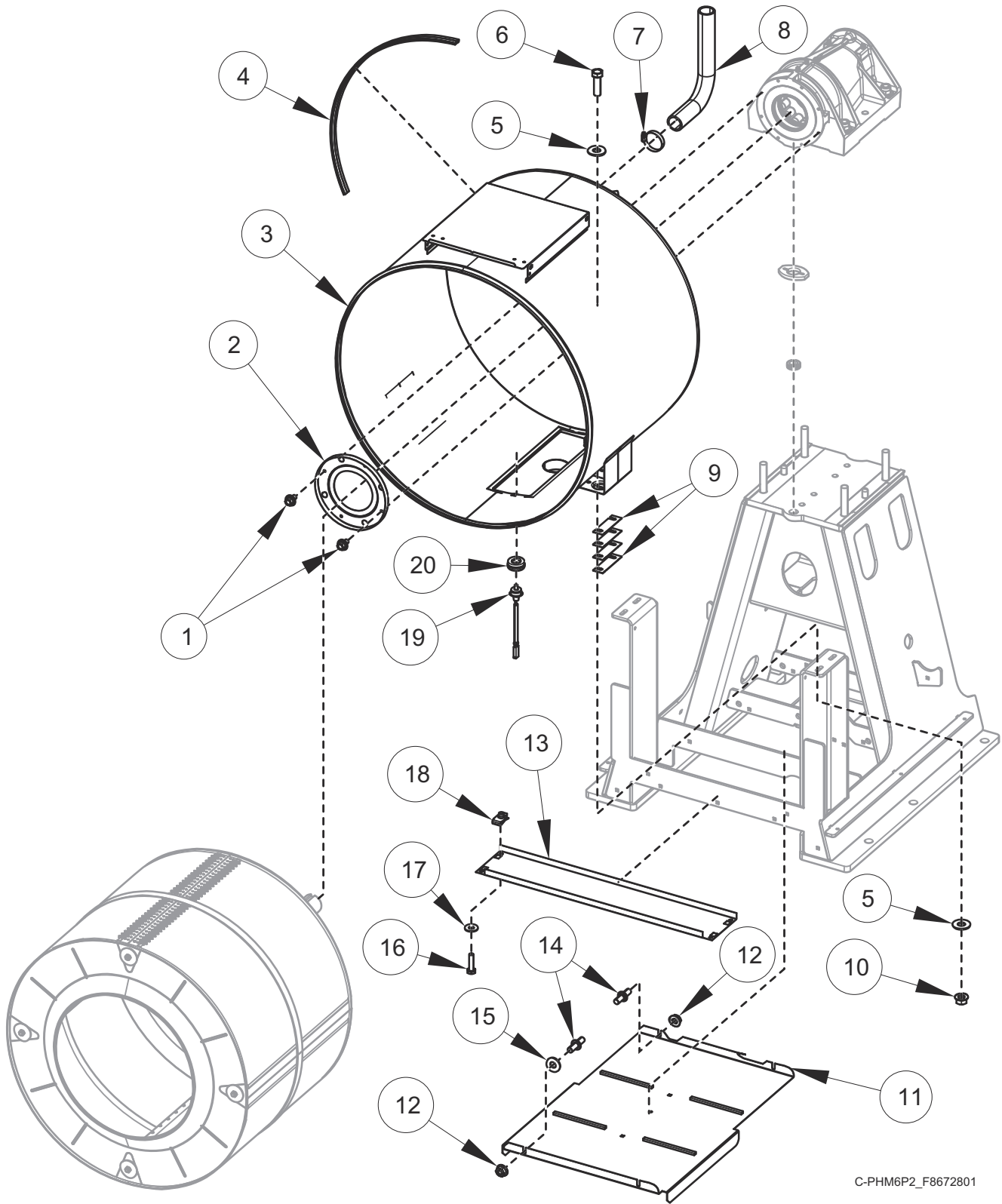


C-PHM3P8_F8672801

Shell Front and Basket

REF	PART NO.	DESCRIPTION	COMMENTS
	F8537805	Shell Front Gasket Kit	Includes items 1-4, 6 and 14
1	F8673701	Screw	
2	M400080	Washer	
3	F8302701	Pin	
4	F430218	Nut	
5	70391101	Screw	
6	F8502305	Shell Band Gasket	
7	F8319901	Shell Front Assembly	
8	F8424202P	Basket Assembly Kit	45 pound models; Includes items 9-11 and 13
	F8424302P	Basket Assembly Kit	65 pound models; Includes items 9-11 and 13
9	F8527701	Excluder Seal	Viton
10	F8343911	Seal Sleeve	
11	F8465401	Bearing	
12	F8382501	Sleeve Adapter	
13	F8464901	Insertion Sleeve	
14	F8388005	Shell Band	

Shell Frame and Seal



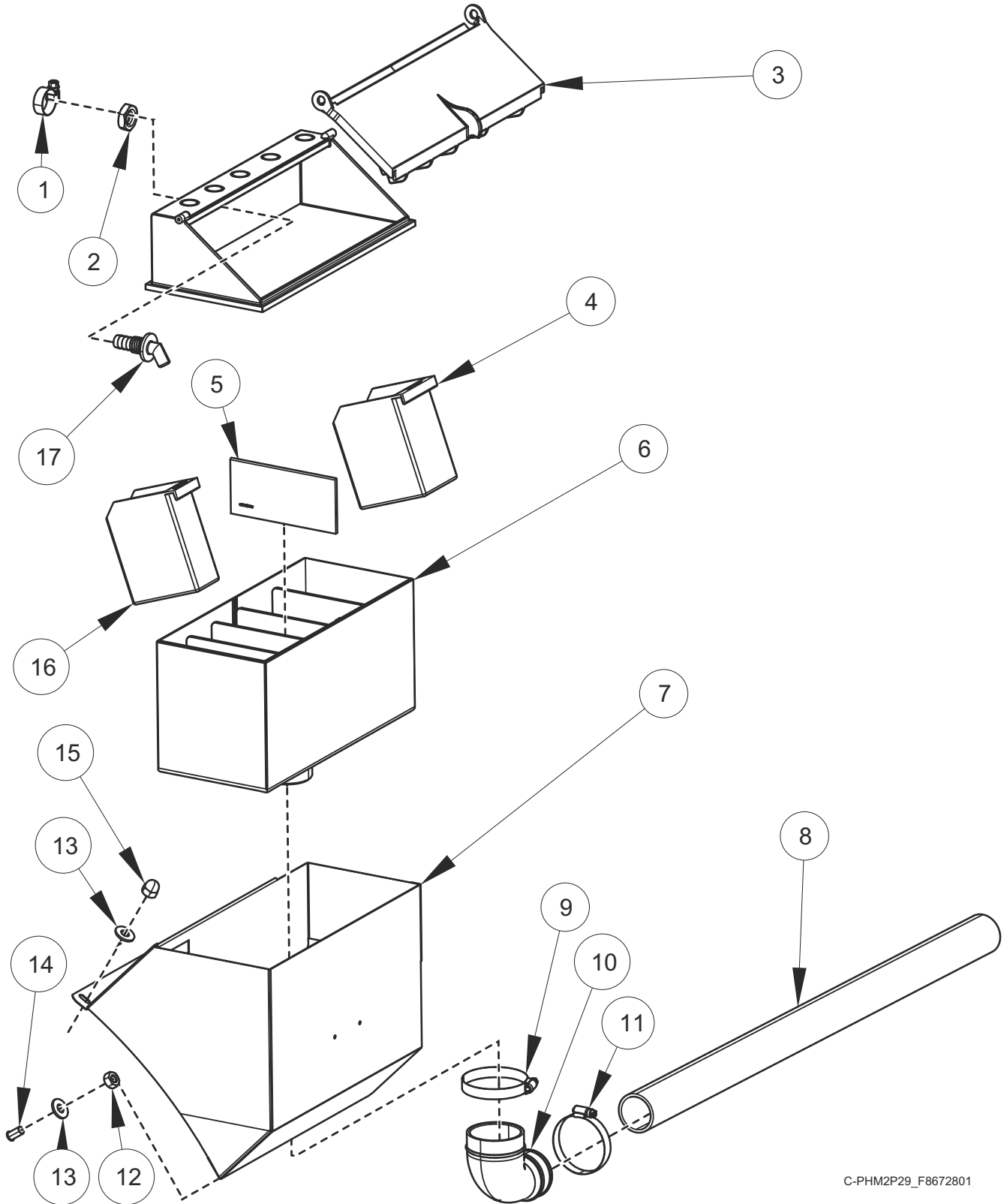
C-PHM6P2_F8672801

Shell Frame and Seal

REF	PART NO.	DESCRIPTION	COMMENTS
1	F8442802	Screw	
2	F8550101	Seal Wear Plate	
3	F8544003	Shell Assembly	45 pound models with 1 or 3 in the 8th position
	F8544004	Shell Assembly	45 pound models with 1 or 3 in the 8th position with electric heat
	F8544001	Shell Assembly	45 pound models with 2 or 4 in the 8th position
	F8544002	Shell Assembly	45 pound models with 2 or 4 in the 8th position with electric heat
	F8544103	Shell Assembly	65 pound models with 1 or 3 in the 8th position
	F8544104	Shell Assembly	65 pound models with 1 or 3 in the 8th position with electric heat
	F8544101	Shell Assembly	65 pound models with 2 or 4 in the 8th position
	F8544102	Shell Assembly	65 pound models with 2 or 4 in the 8th position with electric heat
4	F8412803	Trim	2 pieces
5	M400081	Washer	
6	F430900	Screw	
7	F200215	Hose Clamp	
8	F8363601	Vent Hose	
9	F8630301	Shim	
10	44087301	Nut	
11	F8509401	Frame Shield	
12	44087201	Nut	
13	F8480401	Frame Shield	65 pound models
14	70334702	Stud	
15	M400080	Washer	
16	20253	Screw	65 pound models
17	M405535	Washer	65 pound models
18	70030401	Nut	65 pound models
19	F8538801	Thermistor	
20	2251000400	Temperature Probe Grommet	

Supply Dispenser

Models with 1 or 3 in the 8th Position

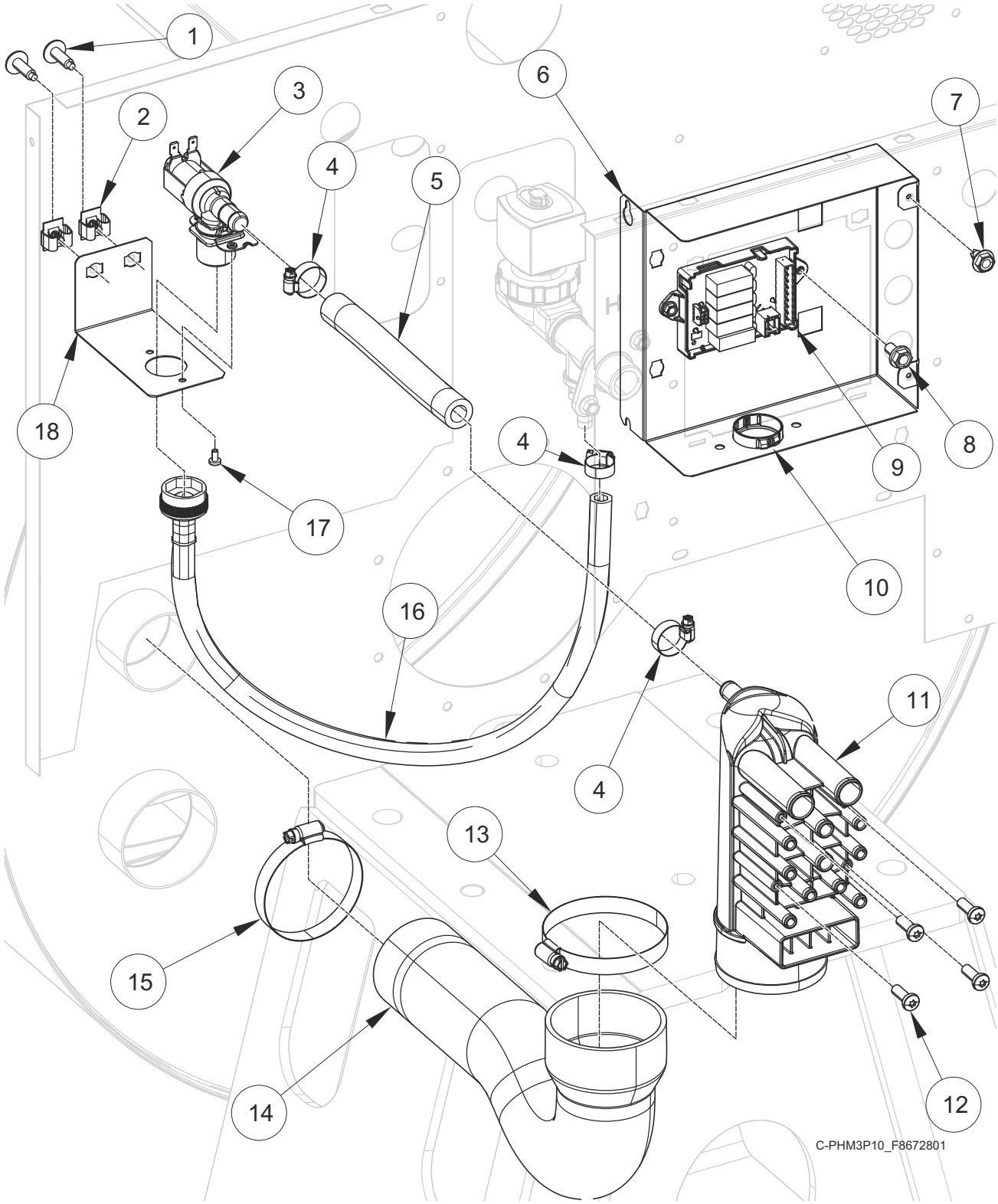


C-PHM2P29_F8672801

Supply Dispenser

REF	PART NO.	DESCRIPTION	COMMENTS
	F8566102	External Supply Board Communication Harness	4-output
	F8566101	External Supply Board Communication Harness	8-output
	F8566402	External Supply Board Power Harness	4-output
	F8566401	External Supply Board Power Harness	8-output
	F749802	Strain Relief Adapter Kit	
	F190304	Plug Cap	
1	36801	Hose Clamp	
2	802292	Nut	
3	F0150514-00	Dispenser Lid	
4	F150386	Chemical Supply Cup	2 used: 30 ounce supply cup (22 ounce when tilted)
5	F0150525-00	Supply Dispenser Spacer	
6	F0150512-00P	Dispenser Assembly	Includes items 3-8 and 18
7	F8024304	Soap Dispenser Shroud Weldment	
8	F8551901	Supply Hose	45 pound models
	F8551902	Chemical Supply Hose	65 pound models
9	F200213	Hose Clamp	
10	F8514301	Elbow	
11	F200415	Hose Clamp	
12	F431005	Nut	
13	F431147	Washer	
14	F390301	Stud	
15	F431026	Nut	
16	F150385	Chemical Supply Cup	3 used; 20 ounce supply cup (12 ounce when tilted)
17	F8322001	Injection Nozzle	

Chemical Injection



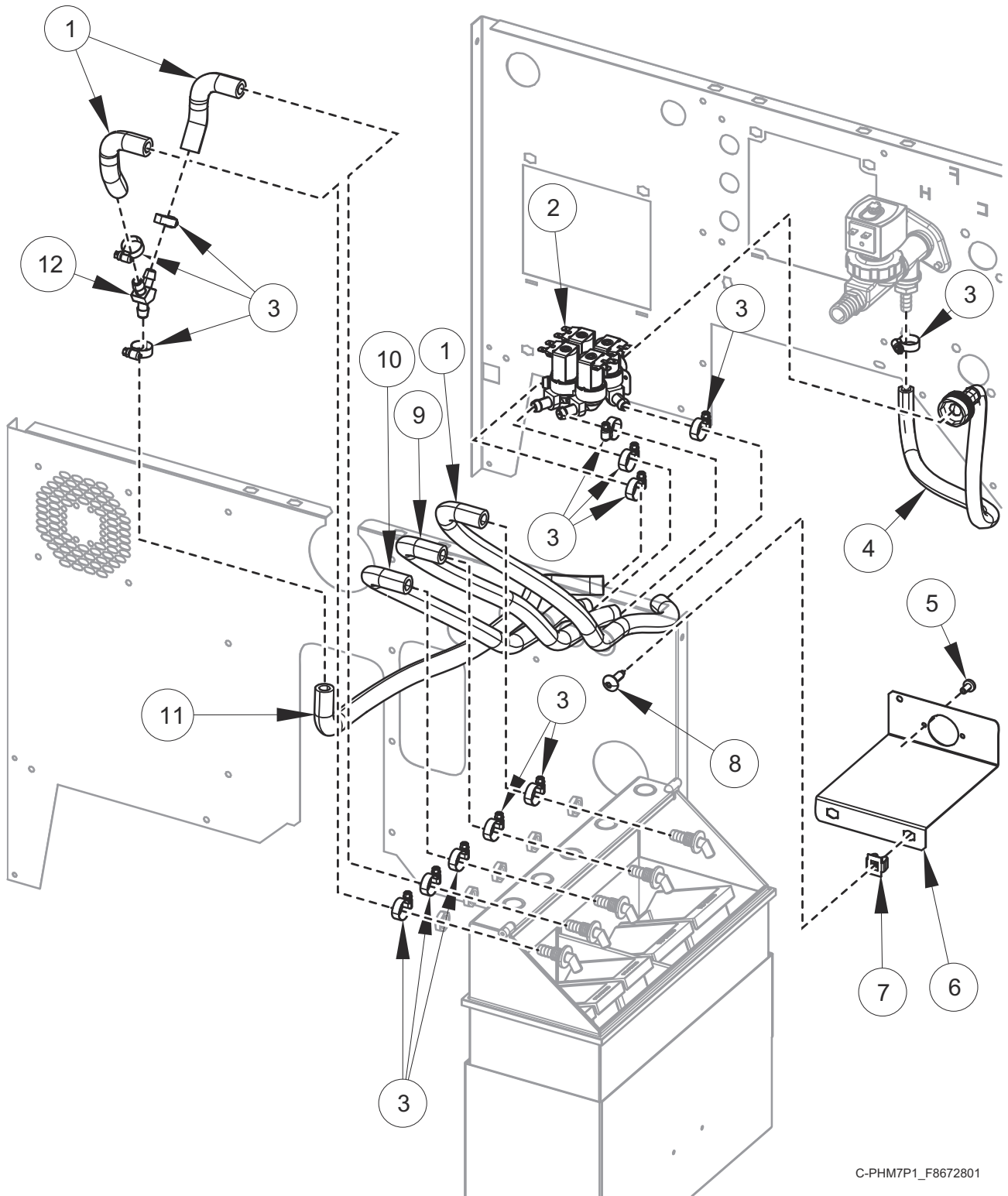
C-PHM3P10_F8672801

Chemical Injection

REF	PART NO.	DESCRIPTION	COMMENTS
	F8597302	Chemical Connection Assembly	5-output; Includes items 6-10
	F8597301	Chemical Connection Assembly	8-output; Includes items 6-10
1	F8117601	Screw	
2	70030501	Expansion Clip	
3	F8579101	Valve	
4	36801	Hose Clamp	
5	F8232007	Hose	
6	F8561401	Chemical Connection Bracket	
7	D503688	Screw	
8	430497	Screw	
9	804528	Chemical Injection Control	5-output
	F8497401	Chemical Injection Control	8-output
	F8555403	Connector	7 pin; H3
	F8555404	Connector	10 pin; H4
	F8555401	Connector	2 pin; H5
	F8555405	Connector	11 pin; H6
	F8555402	Connector	4 pin; H7
	70493102	Connector	9 pin; H2
10	70346501	Bushing	
11	F8538201	Chemical Dispenser	
12	800548	Screw	
13	F200201	Hose Clamp	
14	F8600901	Chemical Injection Hose	
15	F200213	Hose Clamp	
16	F8344602	Hose	
17	F8230301	Screw	
18	F8562201	Water Valve Bracket	

Water Supply Valve and Hoses to Supply Dispenser

Models with 1 or 3 in the 8th Position

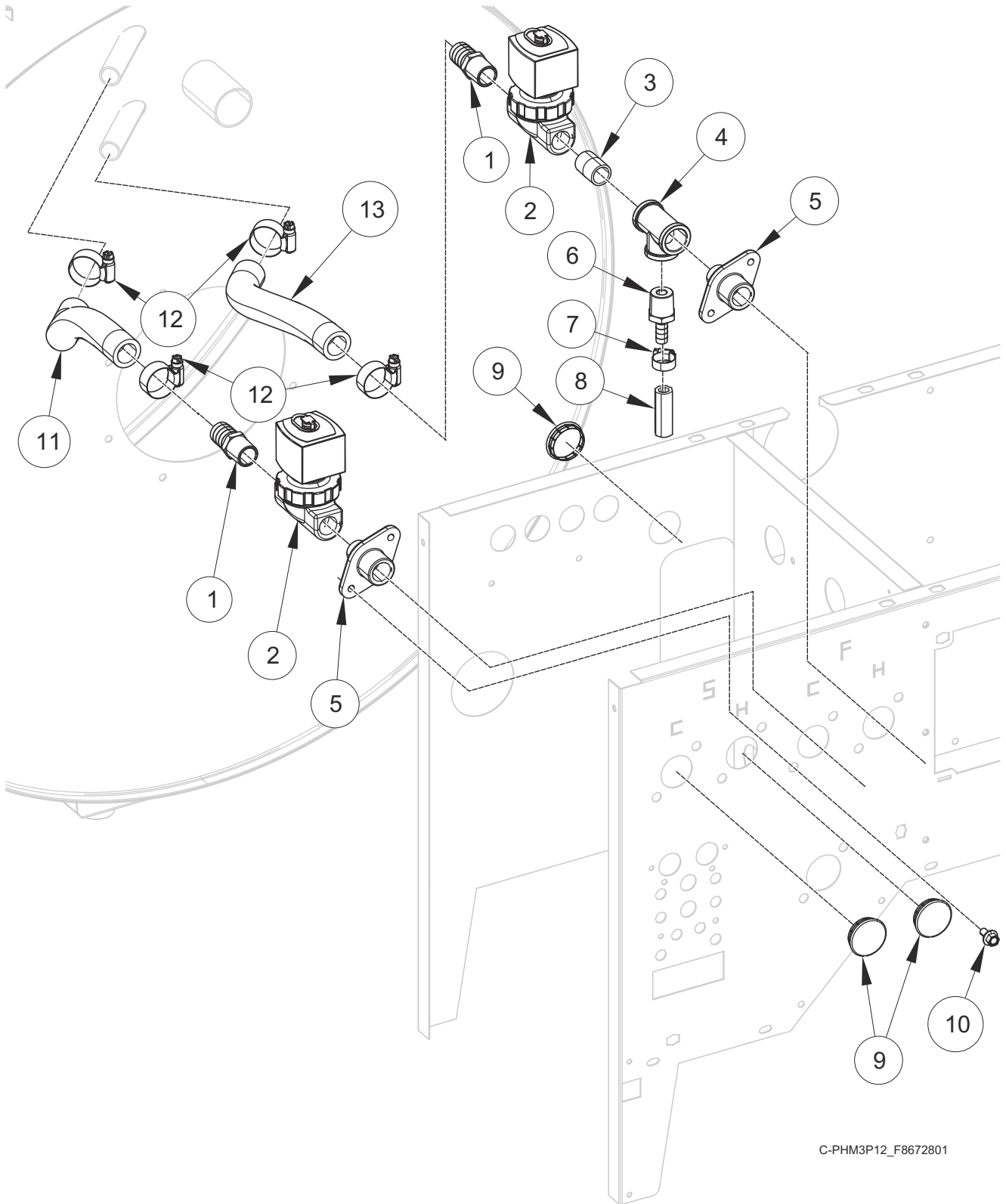


C-PHM7P1_F8672801

Water Supply Valve and Hoses to Supply Dispenser

REF	PART NO.	DESCRIPTION	COMMENTS
1	F8617815	Hose	
2	F8336602	Valve	4 way
3	36801	Hose Clamp	
4	F200509	Water Hose	
5	F8230301	Screw	
6	F8331902	Valve Mounting Bracket	
7	70030501	Expansion Clip	
8	F8117601	Screw	
9	F8617803	Hose	45 pound models
	F8617805	Hose	65 pound models
10	F8617804	Hose	45 pound models
	F8617807	Hose	65 pound models
11	F8617806	Hose	45 pound models
	F8617801	Hose	65 pound models
12	F422816	Y Connector	

Fill Plumbing Assembly



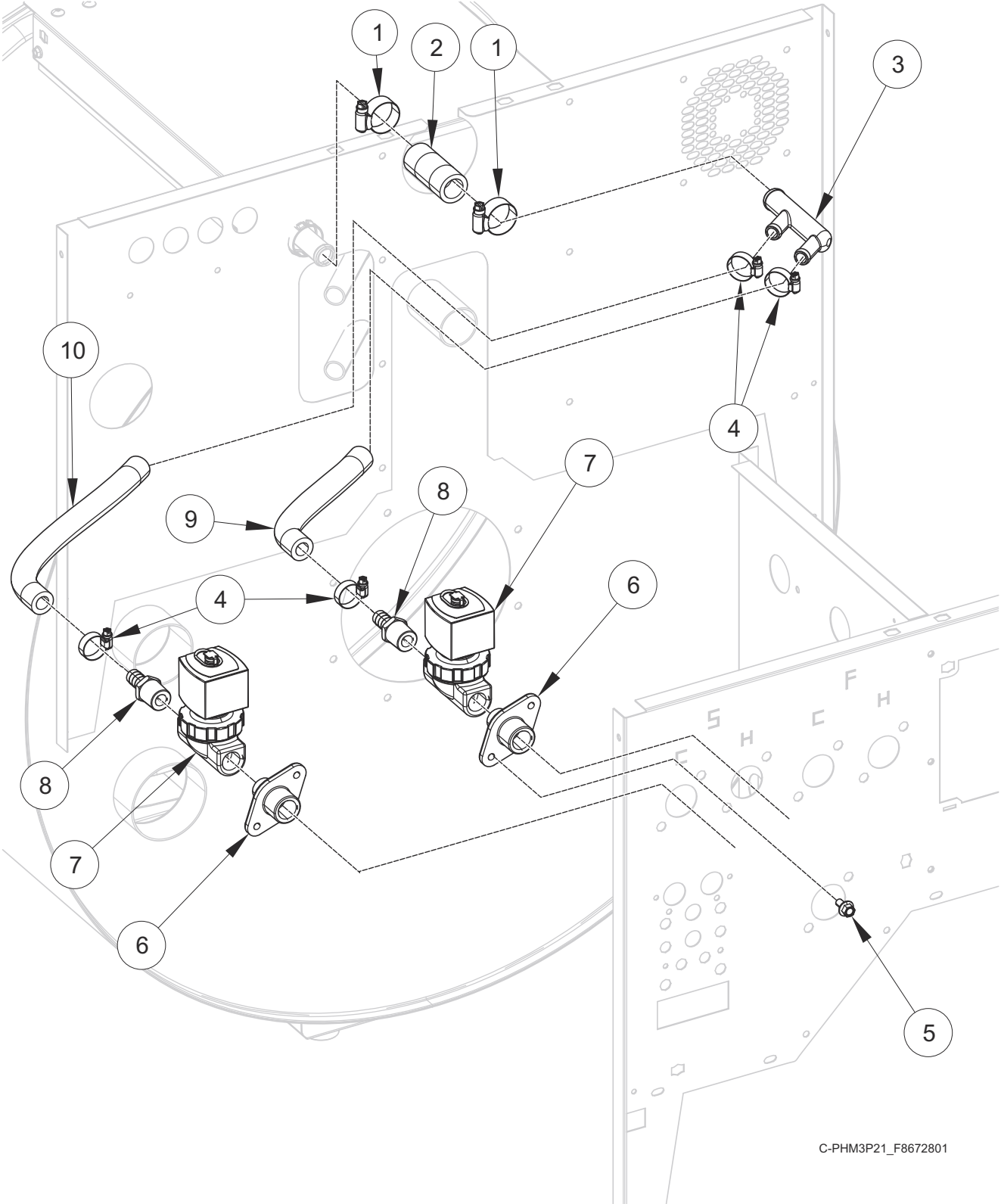
C-PHM3P12_F8672801

Fill Plumbing Assembly

REF	PART NO.	DESCRIPTION	COMMENTS
	F8566001	Fill Harness	Models with 1 in the 8th Position
	F8566002	Fill Harness	Models with 2 in the 8th Position
	F8566003	Fill Harness	Models with 3 in the 8th Position
	F8566004	Fill Harness	Models with 4 in the 8th Position
	F8288408	Valve Assembly	1/2 inch; 24VDC; Includes items 1, 2 and 5
	F8288409	Valve Assembly	1/2 inch; 24VDC; Includes items 1-6
	F200164	Water Hose	Standard thread; 3/4 inch
	F200166	Water Hose	Metric thread; 3/4 inch
	F200185	Water Hose	Standard thread; 1 inch
	F200193	Water Hose	Metric thread; 1 inch
1	F8110701	Hose Barb	
2	F8322804	Valve	1/2 inch; 24VDC; EPDM
3	F421921	Nipple	
4	F422208	Tee	
5	F8362701	Coupling	
6	F421964	Hose Barb	
7	36801	Hose Clamp	
8	F8344602	Hose	
9	F8223902	Plug	
10	70321501	Screw	
11	C002658	Hose	
12	F200222	Hose Clamp	
13	F8137502	Hose	

Spray Plumbing Assembly

Models with 3 or 4 in the 8th Position

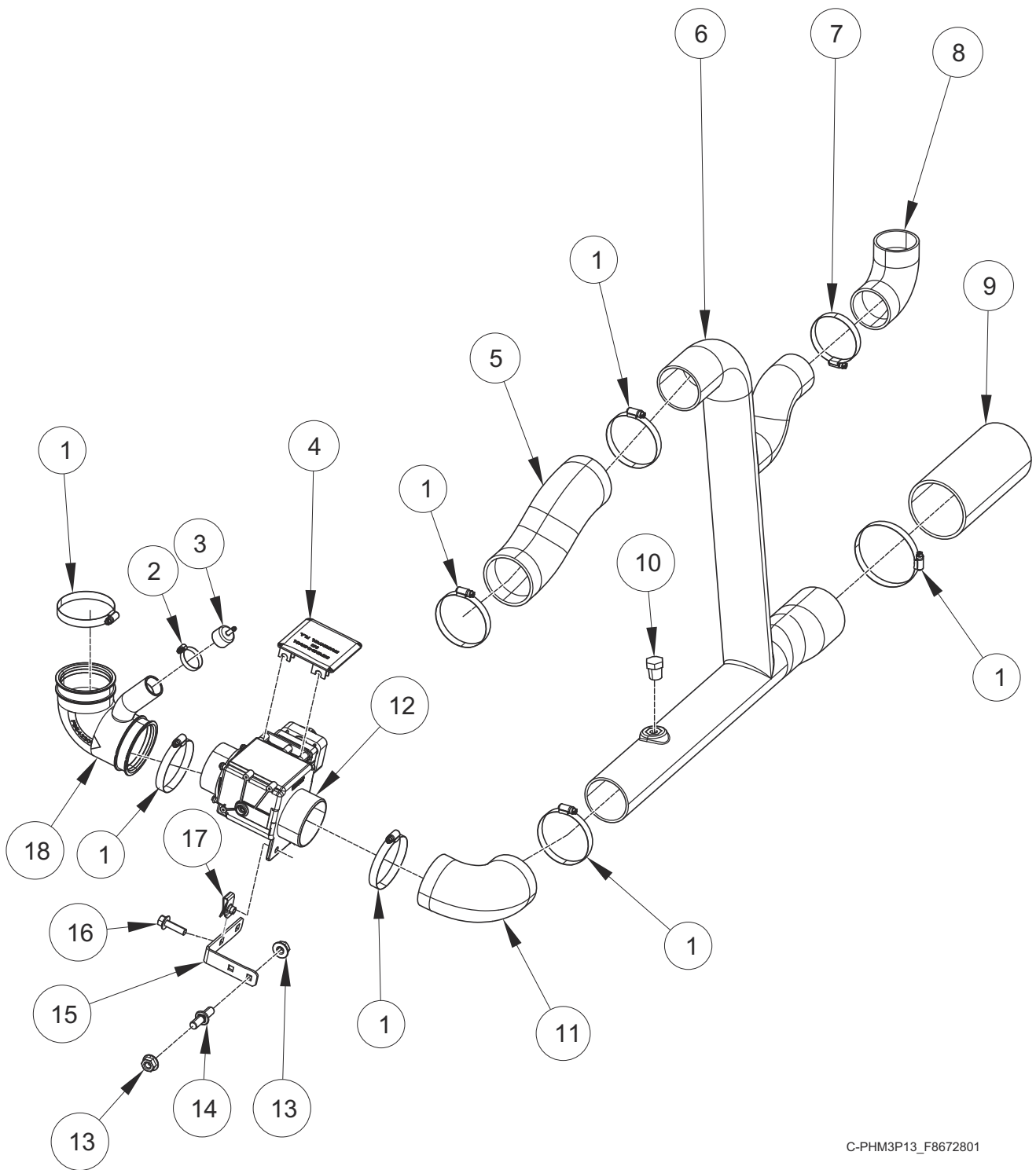


C-PHM3P21_F8672801

Spray Plumbing Assembly

REF	PART NO.	DESCRIPTION	COMMENTS
	F8288406	Valve Assembly	1/2 inch; 24VDC; Includes items 6-8
1	F200222	Hose Clamp	
2	F606816-1	Hose	
3	F8333201	Manifold	
4	36801	Hose Clamp	
5	70321501	Screw	
6	F8362701	Coupling	
7	F8322804	Valve	1/2 inch; 24VDC; EPDM
8	F421930	Hose Barb	
9	F8232006	Hose	
10	F602586-34	Hose	

Drain Plumbing

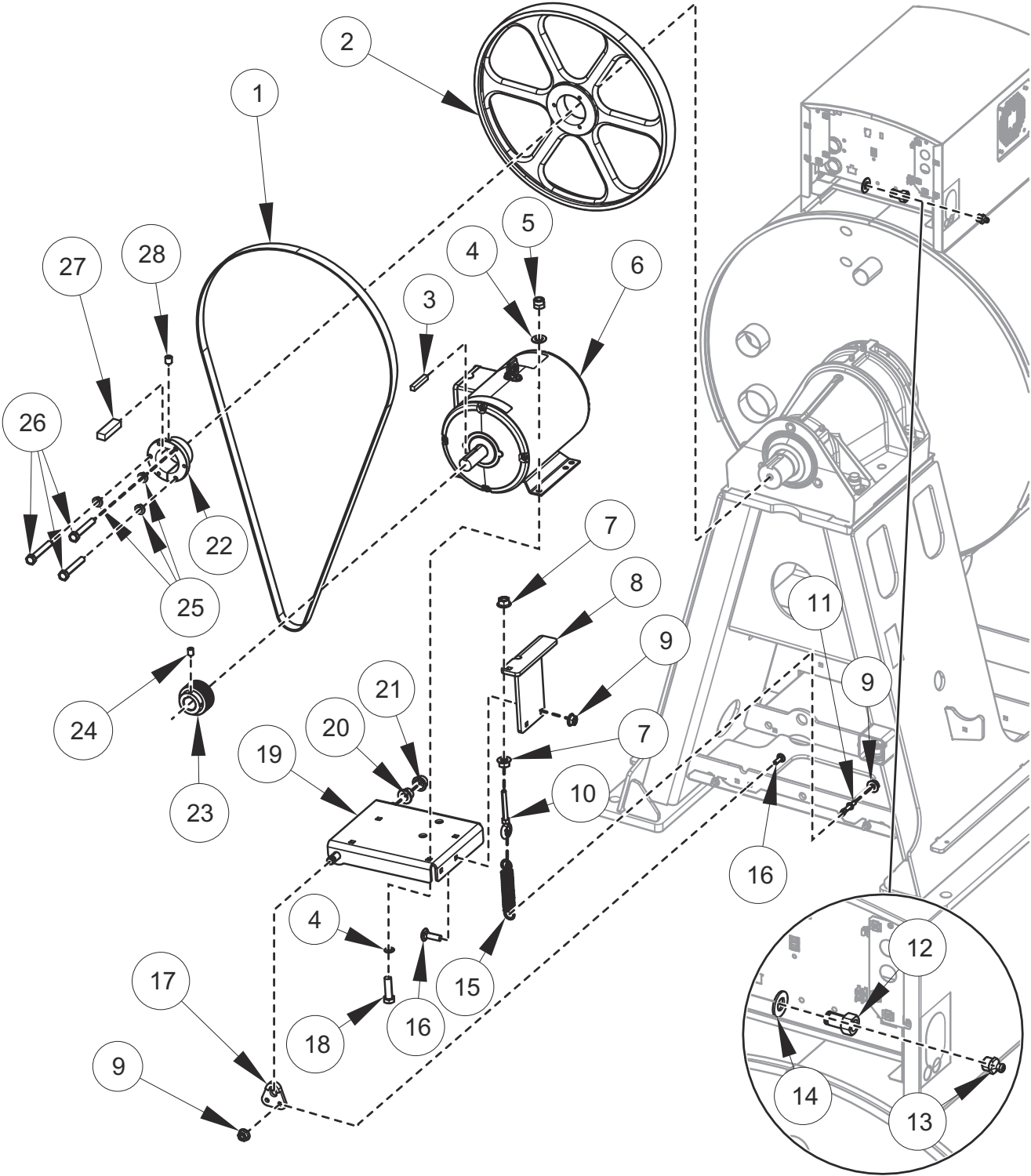


C-PHM3P13_F8672801

Drain Plumbing

REF	PART NO.	DESCRIPTION	COMMENTS
	F8520002	Drain Valve Harness	
1	F200201	Hose Clamp	
2	36802	Hose Clamp	
3	F8579301	Pressure Cap	
4	F200133600	Drain Valve Cover	
5	F0150488-00	Overflow Hose	
6	F8351302	Molded Drain	
7	F200213	Hose Clamp	
8	F8261303	Drain Hose	
9	F200165100	Drain Hose	
10	F8531401	Plug	
11	F8491701	Overflow	
12	F200166402	Drain Valve Kit	Includes item 4
13	44087201	Nut	
14	70334702	Stud	
15	F8545901	Drain Valve Bracket	
16	202175	Screw	
17	70030401	Nut	
18	F8542301	Drain Hose	

Motor and Pulley

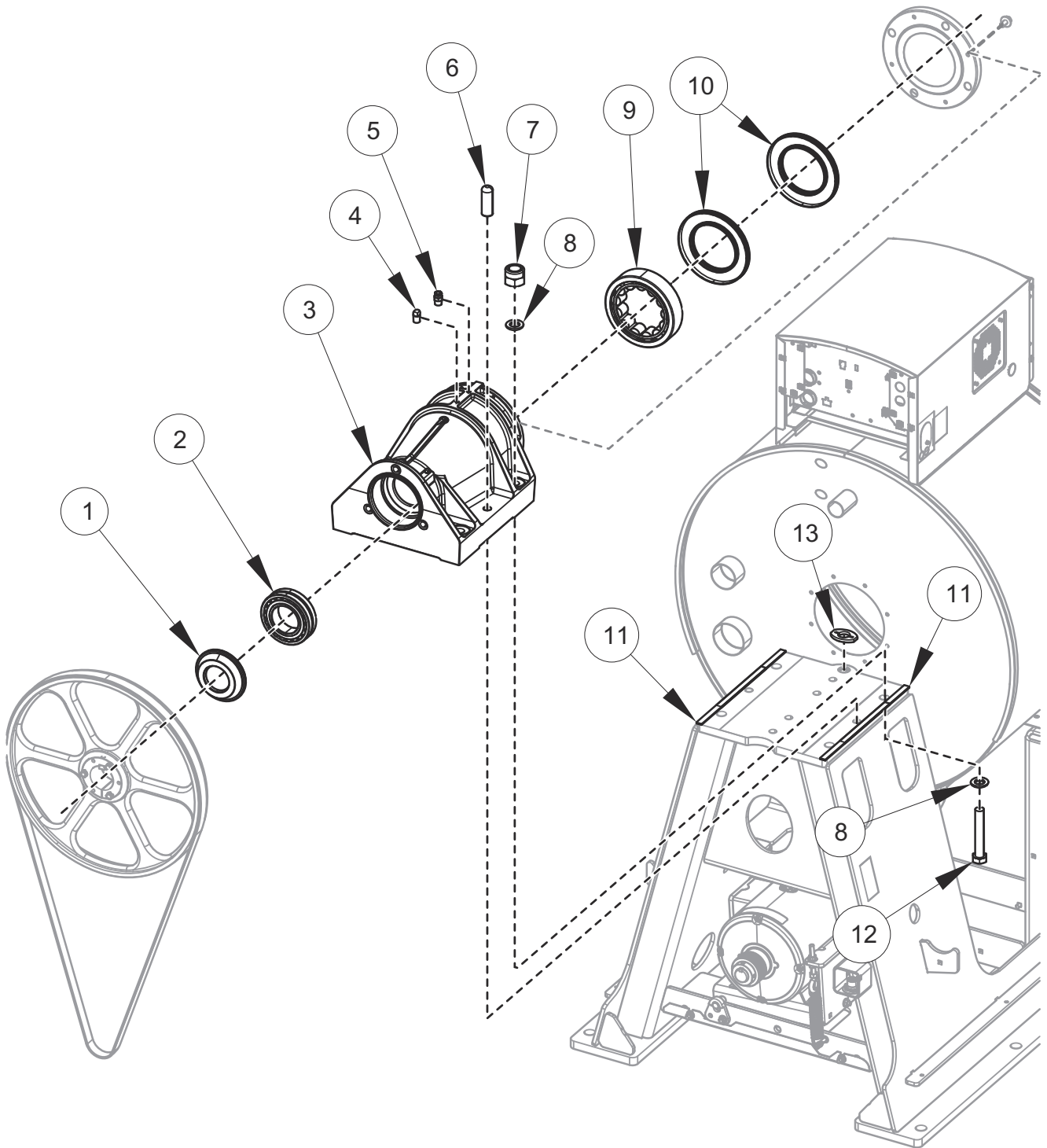


C-PHM3P14_F8672801

Motor and Pulley

REF	PART NO.	DESCRIPTION	COMMENTS
	F8519005	Motor Harness	
1	F8382820	Belt	
2	F8517801	Basket Pulley	
3	M405232	Key	
4	F8366601	Washer	
5	F8387601	Nut	
6	F8510001	Motor	
7	44087301	Nut	
8	F8342201	Motor Spring Bracket	
9	44087201	Nut	
10	F8319503	Eye Bolt	
11	F8351902	Eye Bolt	
12	F422114	Air Coupling	
13	F190701	Grease Fitting	
14	70292801	Washer	
15	F8440701	Extension Spring	
16	F8402801	Bolt	
17	F8441101	Motor Rod Plate	
18	800461	Screw	
19	F8441805	Motor Bracket Weldment	
20	F8535202	Flanged Isolator	
21	F8333302	Flanged Bushing	
22	F8286001	Bushing	
23	F8362601	Motor Pulley	
24	F8536701	Set Screw	
25	M400013	Washer	
26	44079203	Screw	
27	44049002	Key	
28	F8484702	Screw	

Bearing Housing

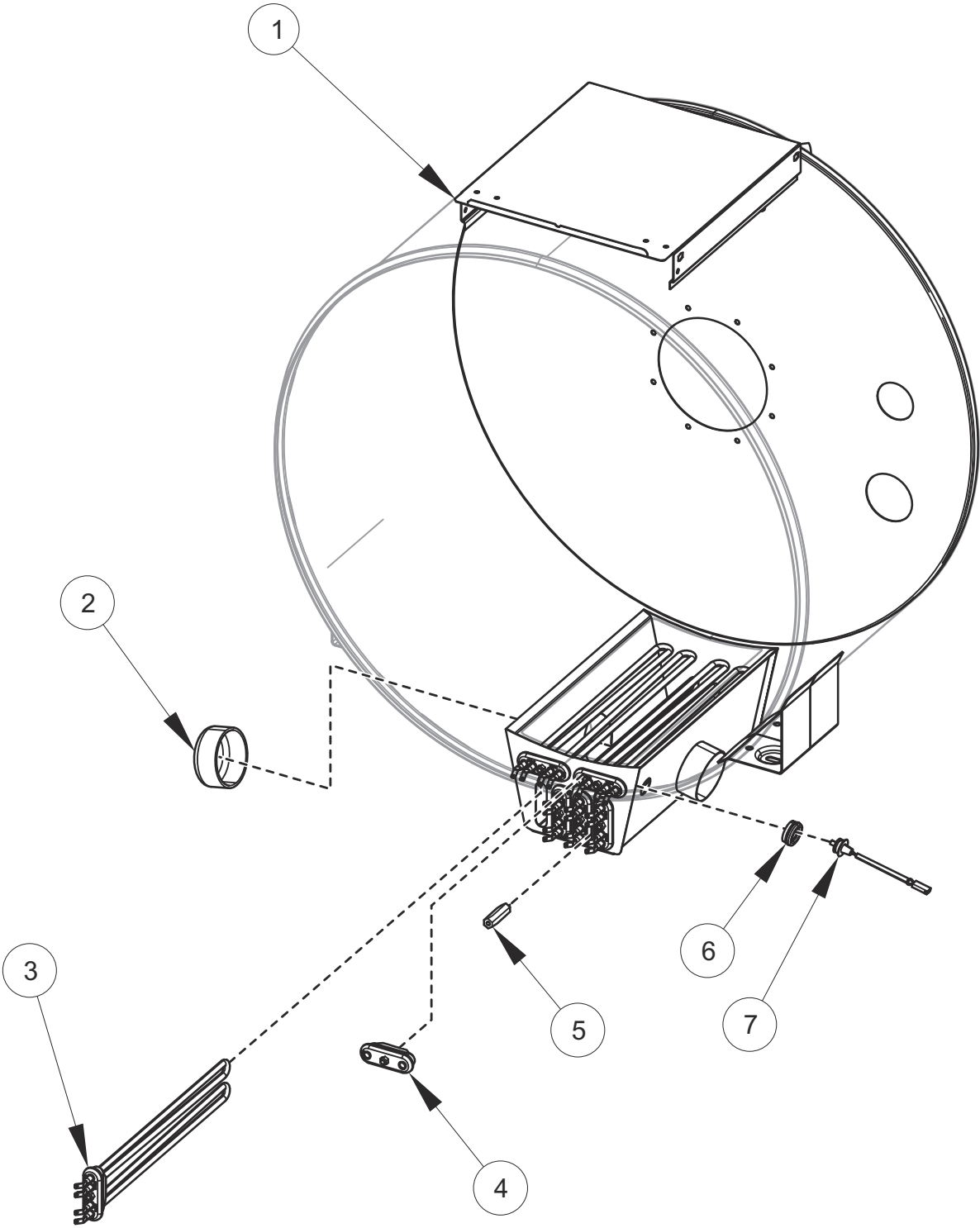


C-PHM3P24_F8672801

Bearing Housing

REF	PART NO.	DESCRIPTION	COMMENTS
	F822P3	Bearing Housing Kit	Includes items 1-3, 5-11, F8313701 Screw, F8527701 Excluder Seal, F8382501 Adapter Sleeve, F8442802 Screw and F8550101 Seal Wear Plate
	F8474602	Bearing Housing Assembly	Includes items 2, 3, 5, 9 and 10; Viton
	F8474601	Bearing Housing Assembly	Includes items 2, 3, 5, 9 and 10; Standard
	F8503701	Bearings and Seals Kit	Viton; Includes items 1, 2, 6-10, 12, F8527701 Excluder Seal and F410102 Sealant
	F8503801	Bearings and Seals Kit	Standard; Includes items 1, 2, 6-10, 12, F8527701 Excluder Seal and F410102 Sealant
1	F8528501	Radial Lip Seal	
2	F8375401	Bearing	
3	F8465001	Bearing Housing	
4	M403052	Plug	
5	J1408004	Connector	
6	F8406502	Dowel Pin	
7	F430248	Nut	
8	F8171201	Washer	
9	F8280504	Bearing	
10	F8203808	Radial Seal	Viton
	F8203807	Radial Seal	
11	F8207001	Gasket	
12	F8313701	Screw	
13	F8452701	Seal Scupper Pad	

Electric Heat Option

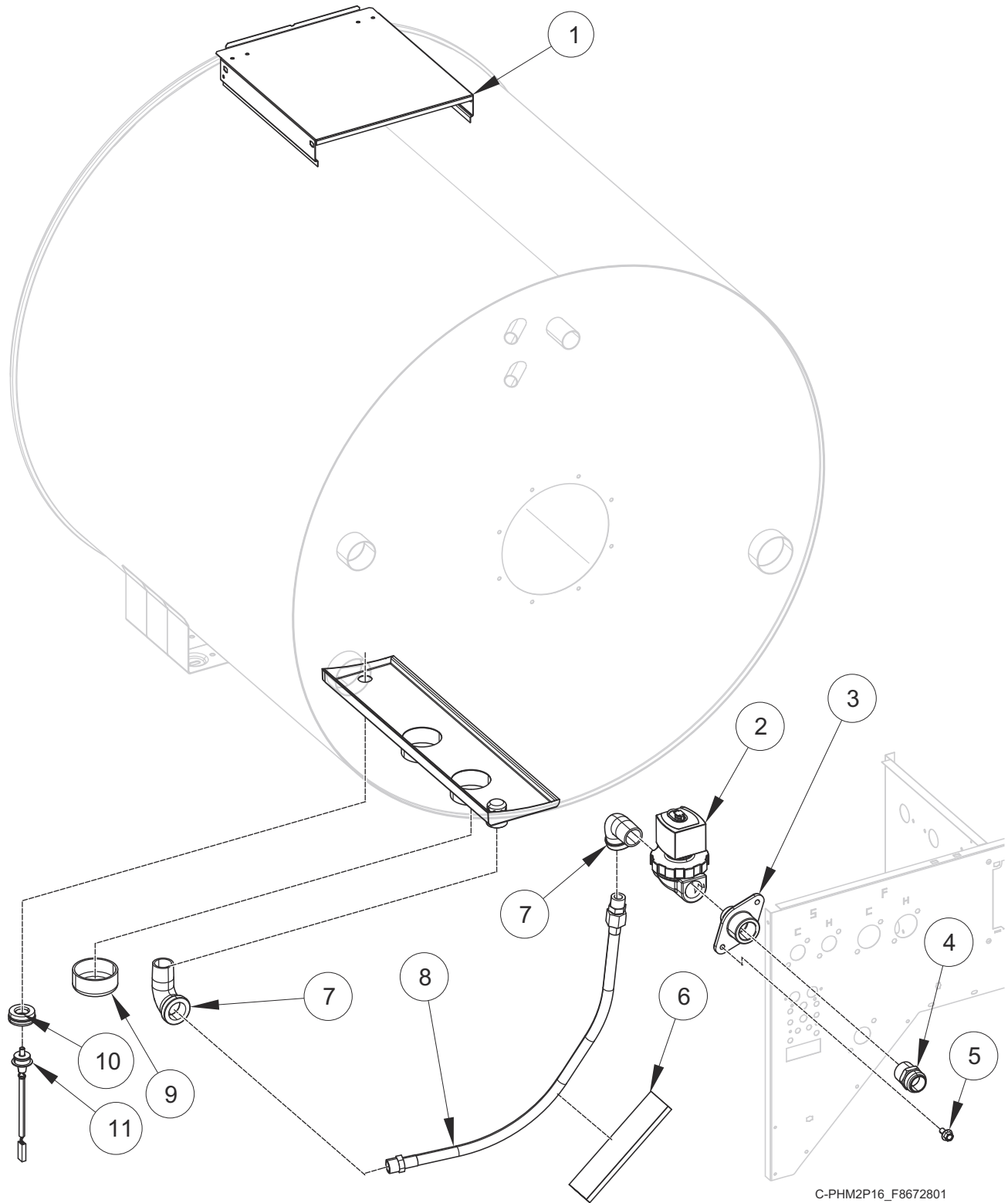


C-PHM3P15_F8672801

Electric Heat Option

REF	PART NO.	DESCRIPTION	COMMENTS
	F8545901	Drain Valve Bracket	
	F8564005	Heater Harness	
	F8568901	Jumper	
	F8584802	Electric Heat Element Harness	6 element
1	F8544004	Shell Assembly	45 pound models with 1 or 3 in the 8th position
	F8544002	Shell Assembly	45 pound models with 2 or 4 in the 8th position
	F8544104	Shell Assembly	65 pound models with 1 or 3 in the 8th position
	F8544102	Shell Assembly	65 pound models with 2 or 4 in the 8th position
2	F0150502-00	Plug	
3	F8568301	Heating Element	4200 W; 230 Volt
4	F360202	Heating Element Plug	
5	F8515401	Standoff	
6	2251000400	Temperature Probe Grommet	
7	F8538801	Thermistor	

Steam Heat Option

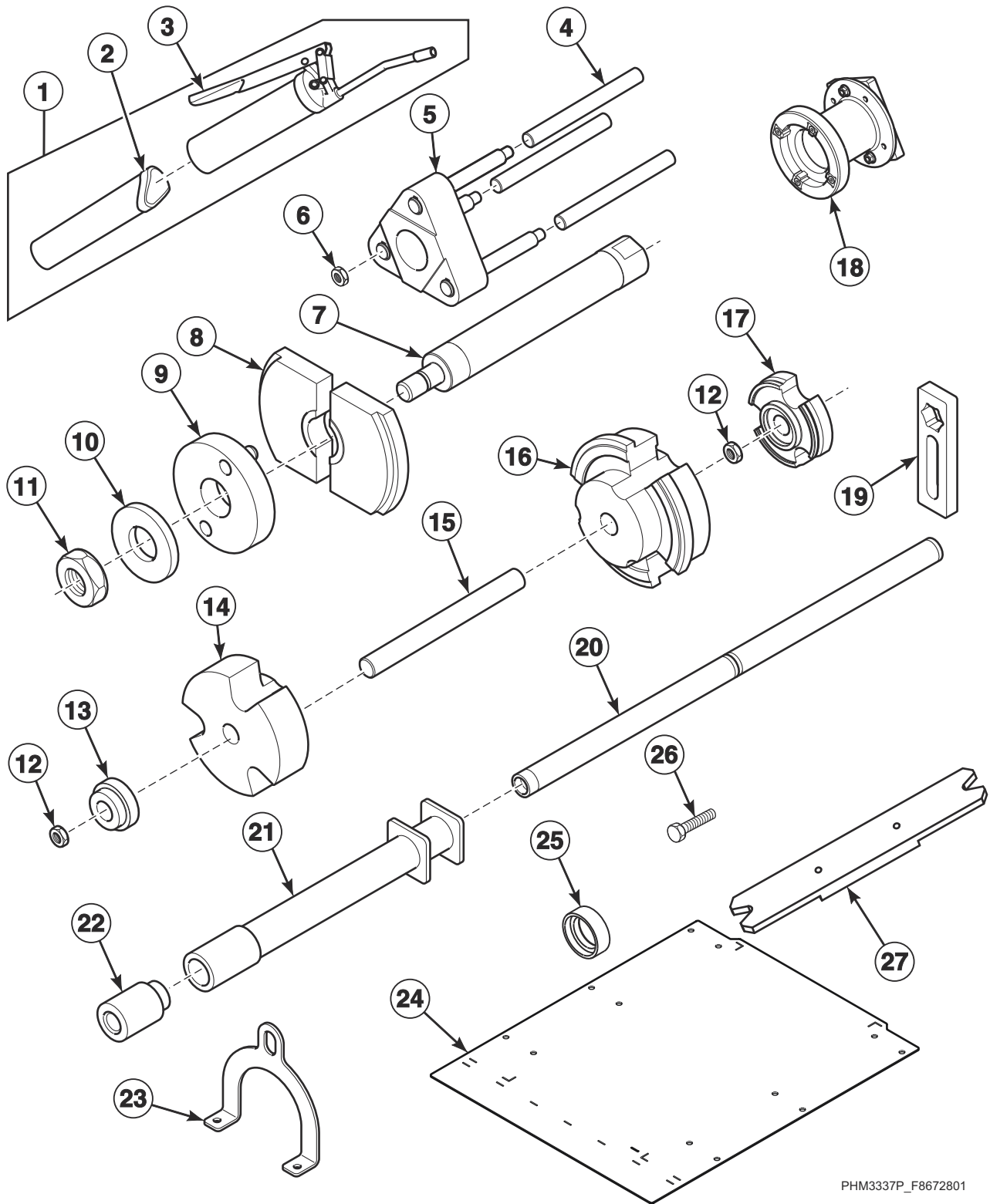


C-PHM2P16_F8672801

Steam Heat Option

REF	PART NO.	DESCRIPTION	COMMENTS
	F8520705	Drain Valve Harness	
	F8662301	Steam Kit	Includes items 2, 3, 5-8, F8609101 Water Level Pressure Switch, 203464 Barbed Tee, F8520705 Steam Valve Harness, F421703 Street Elbow, F420409 Plug, F270307 Steam Filter, F200197 Steam Hose, 901403 Nipple, tubing, insulation and labels
	F270307	Steam Filter	1/2 inch
	F8545901	Drain Valve Bracket	
	F8621101	Steam Plumbing Assembly	1/2 inch; Includes items 2, 3, 7 and 8
	F8288407	Steam Valve Assembly	1/2 inch; 24VDC; Includes items 2, 3, and 7
1	F8544003	Shell Assembly	45 pound models with 1 or 3 in the 8th position
	F8544004	Shell Assembly	45 pound models with 1 or 3 in the 8th position with dual heat
	F8544001	Shell Assembly	45 pound models with 2 or 4 in the 8th position
	F8544002	Shell Assembly	45 pound models with 2 or 4 in the 8th position with dual heat
	F8544103	Shell Assembly	65 pound models with 1 or 3 in the 8th position
	F8544104	Shell Assembly	65 pound models with 1 or 3 in the 8th position with dual heat
	F8544101	Shell Assembly	65 pound models with 2 or 4 in the 8th position
	F8544102	Shell Assembly	65 pound models with 2 or 4 in the 8th position with dual heat
2	F8322805	Valve	1/2 inch: 24VDC
3	F8362701	Coupling	
4	F421908	Hose Adapter	
5	70321501	Screw	
6	F8233703	Insulation	
7	F421703	Street Elbow	
8	F200517	Steam Hose	
9	F0150502-00	Plug	
10	2251000400	Temperature Probe Grommet	
11	F8538801	Thermistor	

Special Tools and Kits



PHM3337P_F8672801

Special Tools and Kits

REF	PART NO.	DESCRIPTION	COMMENTS
	F8662201	Wireless Network Kit	Includes 203532 Wireless Network Control Assembly, F8520407 Wireless Harness, label and hardware; Models through January 2019
	1112P	Concrete Hardware Kit	
	203346	USB IR Interface Kit	
	F8599401-1	Bearing Seal Insertion and Removal Kit	Rental; Includes items 4-21, 23, 25, 27, 70350503 Wing Nut and F8313702 Screw
	F8676201	Wireless Network Kit	Includes 807211 Wireless Network Control Assembly, F8674005 Wireless Harness, label and hardware; Models starting February 2019
	F8674005	Wireless Harness	Models starting February 2019
	F8520407	Wireless Harness	Models through January 2019
	F8599401	Bearing Seal Insertion and Removal Kit	Purchase; Includes items 4-21, 23, 25, 27, 70350503 Wing Nut and F8313702 Screw
1	F798700	Grease Gun Kit	Includes items 2 and 3
2	F210206P	Bearing Grease	
3	F210207P	Grease Gun	
4	F8599201	Rod	
5	F8560501	Shaft Support Assembly	
6	F8459101	Nut	
7	F8450401	Bearing Removal Shaft Assembly	
8	F8450601	Bearing Removal Plate	
9	F8455601	Bearing Removal Washer Assembly	
10	F8456101	Washer	
11	F8455801	Nut	
12	F8457701	Nut	
13	F8455701	Bearing Removal Plug	
14	F8515101	Bearing Seal Fixture	Front
15	F8452101	Threaded Rod	
16	F8515301	Seal Press Fixture	
17	F8515201	Bearing Seal Fixture	Rear
18	F8530201	Bearing Sleeve Assembly	
19	F8562801	One Sided Disassembly Fixture	
20	F8534101	Guide Rod Assembly	
21	F8490701	Hammer	
22	F8514401	Hammer Tool Adapter	
23	F8451501	Bearing Housing Lifting Fixture	
24	F8413201	Frame Template	
25	F8537502	Excluder Seal Fixture	
26	M400063	Screw	
27	F8634801	Clamp	

Parts Index

A

Air Coupling	
F422114	47

B

Basket Assembly Kit	
F8424202P	31
F8424302P	31
Basket Pulley	
F8517801	47
Bearing	
F8280504	49
F8375401	49
F8465401	31
Bearing Grease	
F210206P	55
Bearing Housing	
F8465001	49
Bearing Housing Assembly	
F8474601	49
F8474602	49
Bearing Housing Kit	
F822P3	49
Bearing Housing Lifting Fixture	
F8451501	55
Bearing Removal Plate	
F8450601	55
Bearing Removal Plug	
F8455701	55
Bearing Removal Shaft Assembly	
F8450401	55
Bearing Removal Washer Assembly	
F8455601	55
Bearing Seal Fixture	
F8515101	55
F8515201	55
Bearing Seal Insertion and Removal Kit	
F8599401	55
F8599401-1	55
Bearing Sleeve Assembly	
F8530201	55
Bearings and Seals Kit	
F8503701	49
F8503801	49
Belt	
F8382820	47
Belt Guard Assembly	
F8487901	17
Blind Rivet	
F8245101	29
Bolt	
F8270701	27, 29
F8402801	47
F8549301	27
Bulkhead Brace	
F8578601	19

Bulkhead Panel	
F8561101	23
F8577401	19
F8577701	19
F8577702	19
Bushing	
F8286001	47
F8378701	27
70346501	13, 21, 37

C

Chemical Connection Assembly	
F8597301	37
F8597302	37
Chemical Connection Bracket	
F8561401	37
Chemical Connection Cover	
F8564601	23
Chemical Cover Gasket	
F8609301	23
Chemical Dispenser	
F8538201	37
Chemical Injection Control	
F8497401	37
804528	37
Chemical Injection Hose	
F8600901	37
Chemical Supply Cup	
F150385	35
F150386	35
Chemical Supply Hose	
F8551902	35
Circuit Breaker	
70488101	13
Clamp	
F8634801	55
Concrete Hardware Kit	
1112P	55
Connector	
F8555401	37
F8555402	37
F8555403	37
F8555404	37
F8555405	37
J1408004	49
70493102	37
Contact Base	
F8538101	9
Contact Switch	
F8069501	9
Contacto	
70482601	13
70482701	13
Control Assembly	
F8493902	9
F8616203	9
Control Decal	
F8612901	9
F8665501	9

N/A items do not appear in index.

Control Plate	
F8555701	9
F8555703	9
Control Power Harness	
F8565401	11
F8565402	11
Coupling	
F8362701	41, 43, 53

D

Danger Label	
F8614501	7
DIN Rail	
F8134101	13
Dispenser Assembly	
F0150512-00P	35
Dispenser Cover	
F8338602	23
Dispenser Lid	
F0150514-00	35
Door Assembly	
F8531701	27
F8531702	27
Door Gasket	
F8508501	27
Door Glass	
C000191	27
F8323401P	27
Door Glass Gasket	
F8499901	27
Door Glass Retainer	
F8323301	27
Door Handle	
F8435501	27
Door Hinge	
F8436001	27
Door Hinge Shim	
F8398301	27
Door Interlock Harness	
F8571801	29
Door Latch Arm Assembly	
F8221403	27
Door Lock Assembly	
F8606201	29
Door Lock Catch	
F8344501	29
Door Lock Cover	
F8435801	29
Door Lock Harness	
F8565901	29
Door Lock Microswitch	
F200203200	29
Door Lock Plate Assembly	
F8320401	29
Door Lock Plate Shim	
F8489601	29
Door Lock Switch Lever	
F8223401	29
Door Lug Hinge	
F8435901	27

Door Spray Fitting	
F8356101	25
Door Spray Nozzle Assembly	
F8356301	25
Door Weldment	
F8308001	27
Dowel Pin	
F8406502	49
Drain Hose	
F200165100	45
F8261303	45
F8542301	45
Drain Valve Bracket	
F8545901	45, 51, 53
Drain Valve Cover	
F200133600	45
Drain Valve Harness	
F8520002	45
F8520705	53
Drain Valve Kit	
F200166402	45
Drive Assembly	
F8496601	11
F8496901	11
Drive Box Partition Panel	
F8571201	19
Drive Communication Harness	
F8565701	11
Drive Mounting Bracket	
F8322401	11
F8601101	11
Drive Mounting Panel	
F8571001	19

E

Elbow	
F8453701	25
F8514301	35
Electric Heat Element Harness	
F8584802	51
Emergency Stop Label	
44012902	9
Emergency Stop Pushbutton	
F200233500	9
EMI Filter	
F8591801	11
F8637501	11
End Stop	
F8449801	13
E-Stop Harness	
F8519404	9
Excluder Seal	
F8527701	31
Excluder Seal Fixture	
F8537502	55
Expansion Clip	
70030501	9, 11, 13, 17, 19, 23, 27, 29, 37, 39
Extension Spring	
F8440701	47
External Supply Board Communication Harness	
F8566101	35
F8566102	35

N/A items do not appear in index.

External Supply Board Power Harness	
F8566401	35
F8566402	35
Eye Bolt	
F8319503	47
F8351902	47

F

Fan	
F8623601	9, 13
Fill Harness	
F8566001	41
F8566002	41
F8566003	41
F8566004	41
Filter Kit	
F8662101	11
F8662102	11
F8662103	11
F8662104	11
Filter Retainer Guard	
F8578501	9, 13
Flanged Bushing	
F8333302	47
Flanged Isolator	
F8535202	47
Frame Shield	
F8480401	33
F8509401	33
Frame Template	
F8413201	55
Front Panel	
F8408001	17

G

Gasket	
F8207001	49
Grease Fitting	
F190701	47
Grease Gun	
F210207P	55
Grease Gun Kit	
F798700	55
Grommet	
F170604	17
F8457801	29
F8528401	21
Ground Lug Connector	
M411283	13
Guide Rod Assembly	
F8534101	55

H

Hammer	
F8490701	55
Hammer Tool Adapter	
F8514401	55

Handle Mount	
F8435701	27
Harness	
F8566301	9
F8598302	9
F8617901	9
Heater Harness	
F8564005	51
Heating Element	
F8568301	51
Heating Element Plug	
F360202	51
Hole Plug	
F8223801	13, 23
Hose	
C002658	41
F602586-34	43
F606816-1	43
F8137502	41
F8232006	43
F8232007	37
F8344602	37, 41
F8405301	9
F8617801	39
F8617803	39
F8617804	39
F8617805	39
F8617806	39
F8617807	39
F8617815	39
Hose Adapter	
F421908	53
Hose Barb	
F421930	43
F421964	41
F8110701	41
Hose Clamp	
F200201	37, 45
F200213	35, 37, 45
F200215	33
F200222	41, 43
F200415	35
36801	35, 37, 39, 41, 43
36802	45
39282	9
Hot Surface Warning Label	
F8609001	7
F8614301	7

I

Injection Nozzle	
F8322001	35
Input and Output Control Assembly	
F8494101P	9
Insertion Sleeve	
F8464901	31
Installation/Operation Communication Harness	
F8519503	9
Insulation	
F8233703	53
Insulator	
M413862	11

N/A items do not appear in index.

J

Jumper	
F8568901	51

K

Key	
M405232	47
44049002	47

L

Label	
D516100	13
F8601301	7
F8609801	7
F8613701	7
F8614601	7, 13
F8614801	7
F8615901	7
F8620801	7
44286803	11
70531801	21
Left Side Panel	
F8407902	17
F8407904	17

M

Machine ID Control Assembly	
203361P	9
Magnet	
F8406201	27
Manifold	
F8333201	43
Module Box Assembly	
F8555501	9
F8555502	9
Module Box Fan Harness	
F8566501	9
Module Box Front Panel	
F8664201	9
Module Box Power Harness	
F8566201	9
Module Box Top	
F8408901	9
F8412503	9
F8412504	9
Molded Drain	
F8351302	45
Motor	
F8510001	47
Motor Bracket Weldment	
F8441805	47
Motor Harness	
F8519005	47
Motor Pulley	
F8362601	47

Motor Rod Plate	
F8441101	47
Motor Spring Bracket	
F8342201	47

N

Nameplate	
F8443105	9
Nipple	
F421921	41
Nut	
F430218	31
F430225	15, 29
F430231	9, 13
F430232	29
F430248	49
F431005	35
F431024	29
F431026	35
F8322601	25
F8387601	47
F8455801	55
F8457701	55
F8459101	55
F8549401	27
44087101	17
44087201	33, 45, 47
44087301	33, 47
44088001	13
685846	9
70030401	17, 33, 45
802292	35

O

One Sided Disassembly Fixture	
F8562801	55
O-Ring	
F170200	25
Overflow	
F8491701	45
Overflow Hose	
F0150488-00	45

P

Panel Locator	
56079	17, 19
Pin	
F8302701	31
Pinch Warning Label	
F8615701	7, 17
70538401	7
Plug	
F0150502-00	51, 53
F8223901	13, 23
F8223902	41
F8531401	45
M400985	23
M403052	49

N/A items do not appear in index.

Plug Cap	
F190304	35
Pop Rivet	
M400003	9, 13
70058501	13, 19, 23
Power Distribution Block	
M413865	11
Power Distribution Block Cover	
44014901P	11
Power Harness	
F8565501	11
F8565502	11
F8565601	11
F8565602	11
F8565801	11
F8582801	11
Pressure Cap	
F8579301	45
Pressure Sensor	
F8623401	9

R

Radial Lip Seal	
F8528501	49
Radial Seal	
F8203807	49
F8203808	49
Rear Bulkhead Edging	
F8439101	23
Reed Switch Assembly	
F8066804	29
Reed Switch Bracket	
F8402601	29
Right Side Panel	
F8407901	17
F8407903	17
Ring Retainer	
F310206	25
Rivet	
M412763	17, 19
Rod	
F8599201	55

S

Screw	
D503688	37
F430900	33
F8117601	9, 17, 19, 23, 29, 37, 39
F8151201	9, 13
F8206901	9, 11, 13, 17, 19
F8230301	37, 39
F8313701	49
F8413701	9
F8442802	33
F8458801	17
F8484702	47
F8560601	17
F8673701	31
M400063	55
M401938	15
202175	17, 45

20253	33
39733	11
430497	37
431287	25
44079203	47
51783	11
685837	13
70321501	41, 43, 53
70391101	31
800461	47
800548	37
Seal Pad	
F8617601	9
Seal Press Fixture	
F8515301	55
Seal Scupper Pad	
F8452701	49
Seal Sleeve	
F8343911	31
Seal Wear Plate	
F8550101	33
Set Screw	
F8536701	47
Shaft Support Assembly	
F8560501	55
Shell Assembly	
F8544001	33, 53
F8544002	33, 51, 53
F8544003	33, 53
F8544004	33, 51, 53
F8544101	33, 53
F8544102	33, 51, 53
F8544103	33, 53
F8544104	33, 51, 53
Shell Band	
F8388005	31
Shell Band Gasket	
F8502305	31
Shell Front Assembly	
F8319901	31
Shell Front Gasket Kit	
F8537805	31
Shim	
F8484401	29
F8630301	33
Shock Warning Label	
F8614201	7, 17
F8614401	7
Sleeve Adapter	
F8382501	31
Snap Bushing	
F140938	21
F8332501	21
44071501	13
70203901	21
Soap Dispenser Shroud Weldment	
F8024304	35
Solenoid	
F8630601	29
Spacer	
F431901	29
Spray Nozzle Gasket	
F8322701	25
Spray Rinse Bracket	
F8451101	25

N/A items do not appear in index.

Spray Rinse Hose	
F8508201	25
Spray Rinse Strap	
F8451701	25
Spray Rinse Tube Assembly	
F8332301	25
F8332302	25
Spring Pin	
F431222	27
Standoff	
F8515401	51
Steam Filter	
F270307	53
Steam Hose	
F200517	53
Steam Kit	
F8662301	53
Steam Plumbing Assembly	
F8621101	53
Steam Valve Assembly	
F8288407	53
Strain Relief Adapter Kit	
F8566401	35
Street Elbow	
F421703	53
Stud	
F390301	35
F8590801	9
70334702	33, 45
Supply Dispenser Spacer	
F0150525-00	35
Supply Hose	
F8551901	35
Swivel Coupling Assembly	
F8504001	25
Swivel Coupling Body	
F8503901	25
Swivel Coupling Bushing	
F8453801	25

T

Tee	
F422208	41
Temperature Probe Grommet	
2251000400	15, 33, 51, 53
Terminal	
00622SG	9, 13
Terminal Block	
430642	11
Terminal Block Shield	
70333001	11
Thermistor	
F8538801	15, 33, 51, 53
Threaded Rod	
F8452101	55
Top Cover	
F8596801	19
F8608301	19
Torsion/Door Lock Spring	
F8070301	29

Transformer	
F8512001	13
202758	9
Trim	
F8412801	17
F8412802	17
F8412803	33

U

USB IR Interface Kit	
203346	55
USB-Serial Interface Assembly	
203440	9

V

Valve	
.....	39
F8322805	53
F8579101	37
Valve Assembly	
F8288406	43
F8288408	41
F8288409	41
F8322804	41, 43
Valve Mounting Bracket	
F8331902	39
Vent Hose	
F8363601	33
Vibration Switch	
F8204001	15
Vibration Switch Shield	
F8337301	15

W

Warning Label	
F8611601	7
44324001	7, 17
Washer	
F431100	27
F431125	29
F431147	27, 35
F431916	27
F8171201	49
F8193101	29
F8366601	47
F8456101	55
M400013	47
M400080	31, 33
M400081	33
M405535	17, 33
70292801	47
Water Hose	
F200164	41
F200166	41
F200185	41
F200509	39
Water Valve Bracket	
F8562201	37

N/A items do not appear in index.

Wireless Harness	
F8520407	9, 55
F8674005	55
Wireless Network Kit	
F8662201	55
F8676201	55

Y

Y Connector	
F422816	39
