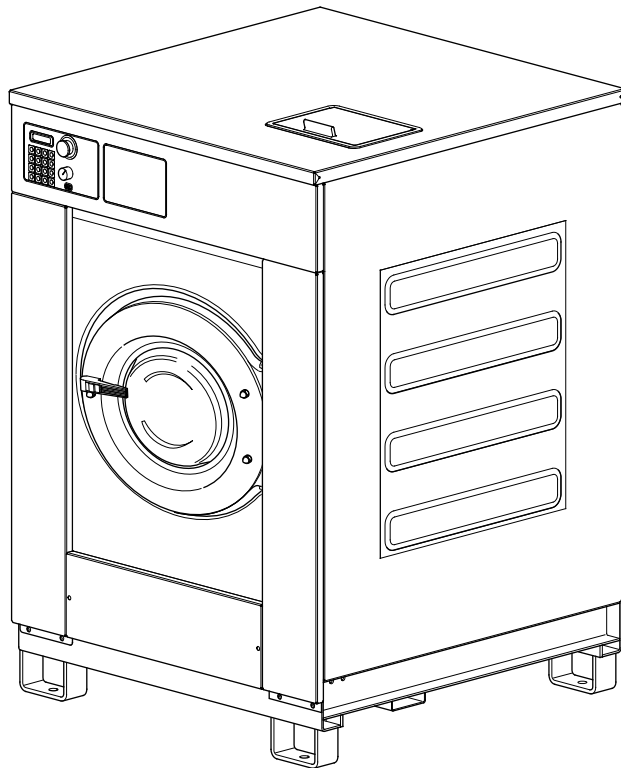


Washer-Extractor

Cabinet Freestanding
Refer to Page 5 for Model Numbers



CFD8C_9001005

Table of Contents

Title	Page
Parts Ordering Information.....	3
Serial Plate Location	3
Model Identification	5
Cabinet Freestanding Washer-Extractor Product Overview	6
Frame - 55 Pound Models	8
Frame - 75 Pound Models	10
Shock and Spring Assembly - 55 Pound Models Through 6/20/11 and 75 Pound Models Through 11/13/11	12
Shock and Spring Assembly - 55 Pound Models Starting 6/21/11	14
Shock and Spring Assembly - 75 Pound Models Starting 11/14/11	16
Shell, Basket and Front Panel - Design 6 Models	18
Shell, Basket and Front Panel - Design 7 Models	20
Bearing Assembly - 55 Pound Models Through 1/30/11	22
Bearing Assembly - 55 Pound Models Starting 1/31/11	24
Bearing Assembly - 75 Pound Models	26
Basket, Pulley and Belt - 55 Pound Models.....	28
Basket, Pulley and Belt - 75 Pound Models.....	30
Motor - 55 Pound Models.....	32
Motor - 75 Pound Models.....	34
Drain Assembly.....	36
Single Drain Assembly.....	38
Dual Drain Assembly	40
Door Lock.....	42
Door - Design 6 Models	44
Door - Design 7 Models Through 9/30/07	46
Door - Design 7 Models Starting 10/1/07	48
Door Handle	50
Control Panel - Models UX055PVXF7, UX55PVXF6 and UX55PVXF7	52
Control Panel - All Models Except UX055PVXF7, UX55PVXF6 and UX55PVXF7	54
Control Module Through February 2006 - 55 Pound Models.....	56
Control Module Through February 2006 - 75 Pound Models.....	58
Control Module Starting March 2006	60
Front, Left Side and Upper Back Panels - 55 Pound Models Except Models UX055PVXF7, UX55PVXF6 and UX55PVXF7.....	62
Front, Left Side and Upper Back Panels - Models UX055PVXF7, UX55PVXF6 and UX55PVXF7.....	64
Front, Left Side and Upper Back Panels - 75 Pound Models Through 9/30/08	66
Front, Left Side and Upper Back Panels - 75 Pound Models Starting 10/1/08 Through 11/13/11.....	68
Front, Left Side and Upper Back Panels - 75 Pound Models Starting 11/14/11	70
Top, Right Side and Lower Back Panels - Models UX055PVXF7, UX55PVXF6 and UX55PVXF7.....	72
Top, Right Side and Lower Back Panels - All Models Except UX055PVXF7, UX55PVXF6 and UX55PVXF7.....	74
Fill Plumbing - Models UX055PVXF7, UX55PVXF6 and UX55PVXF7.....	76
Fill Plumbing - All Models Except UX055PVXF7, UX55PVXF6 and UX55PVXF7.....	78

© Copyright 2019, Alliance Laundry Systems LLC

All rights reserved. No part of the contents of this book may be reproduced or transmitted in any form or by any means without the expressed written consent of the publisher.

Upper Back Panel - 55 Pound Models	80
Upper Back Panel - 75 Pound Models	82
Upper Back Panel - 55 Pound Models Starting Serial No. 0605755253 and 75 Pound Models Starting Serial No. 060775059	84
Balance Switch	86
Supply Dispenser - Models UX055PVXF7, UX55PVXF6 and UX55PVXF7	88
Supply Dispenser - All Models Except UX055PVXF7, UX55PVXF6 and UX55PVXF7	90
Electric Heating Option	92
Steam Heating Option.....	94
Parts Index.....	97

Parts Ordering Information

If literature or replacement parts are required, contact the source from whom the machine was purchased or contact Alliance Laundry Systems at (920) 748-3950 for the name and address of the nearest authorized parts distributor.

For technical assistance, call the number listed below:

(920) 748-3121 Ripon, Wisconsin

Serial Plate Location

When calling or writing about your product, be sure to mention model and serial numbers. Model and serial numbers are located on serial plate(s).

Model Identification

Information in this manual is applicable to these washer-extractor models:

HX055PVNU7
HX055PVQU7
HX055PVXU7
HX075PVNU7
HX075PVPU7
HX075PVQU7
HX55PVNU6
HX55PVNU7
HX55PVQU6
HX55PVQU7
HX55PVXU6
HX55PVXU7
HX75PVNU6
HX75PVNU7
HX75PVPU7
HX75PVQU6
HX75PVQU7

SX055PVNU7
SX055PVPU7
SX055PVQU7
SX055PVXU7
SX075PVNU7
SX075PVPU7
SX075PVQU7
SX55PVNU6
SX55PVNU7
SX55PVPU6
SX55PVPU7
SX55PVQU6
SX55PVQU7
SX55PVXU6
SX55PVXU7
SX75PVNU6
SX75PVNU7
SX75PVPU7
SX75PVQU6
SX75PVQU7

UX055PVNU7
UX055PVPU7
UX055PVQU7
UX055PVXF7
UX055PVXU7
UX075PVNU7
UX075PVPU7
UX075PVQU7
UX55PVNU6
UX55PVNU7
UX55PVPU6
UX55PVPU7
UX55PVQU6
UX55PVQU7
UX55PVXF6
UX55PVXF7
UX55PVXU6
UX55PVXU7
UX75PVNU6
UX75PVNU7
UX75PVPU6
UX75PVPU7
UX75PVQU6
UX75PVQU7

Cabinet Freestanding Washer-Extractor Product Overview

Model No. *X55PVXM60001
 Serial No. 0000000000
 Voltage 200-240/50-60/1-3 Amps 12
 Required Circuit Breaker Amps 15
 Hz 50-60 Wire 2/3+PE Phase 1/3
 Max. Load 55 LB 25 KG Max. Speed 1000 RPM
 Elec. Heating KW Steam Press. PSI BAR

WASH, ADD BLEACH, RINSE, SPIN, DOOR, START

NORMAL HOT, PERM PRESS WARM, NORMAL WARM, PERM PRESS COLD, QUICK WASH HOT, QUICK WASH WARM, HEAVY SOIL HOT, DELICATE COLD

B Computer (Domestic)

WASH, ADD BLEACH, RINSE, SPIN, DOOR, START

95C, 95C, 60C, 60C, 40C, 40C, 30C

B Computer (International)

1, 2, 3, 4, 5, 6, 7, 8, 9, 0, Stop, Start

Insert Key, RUN, PROGRAM

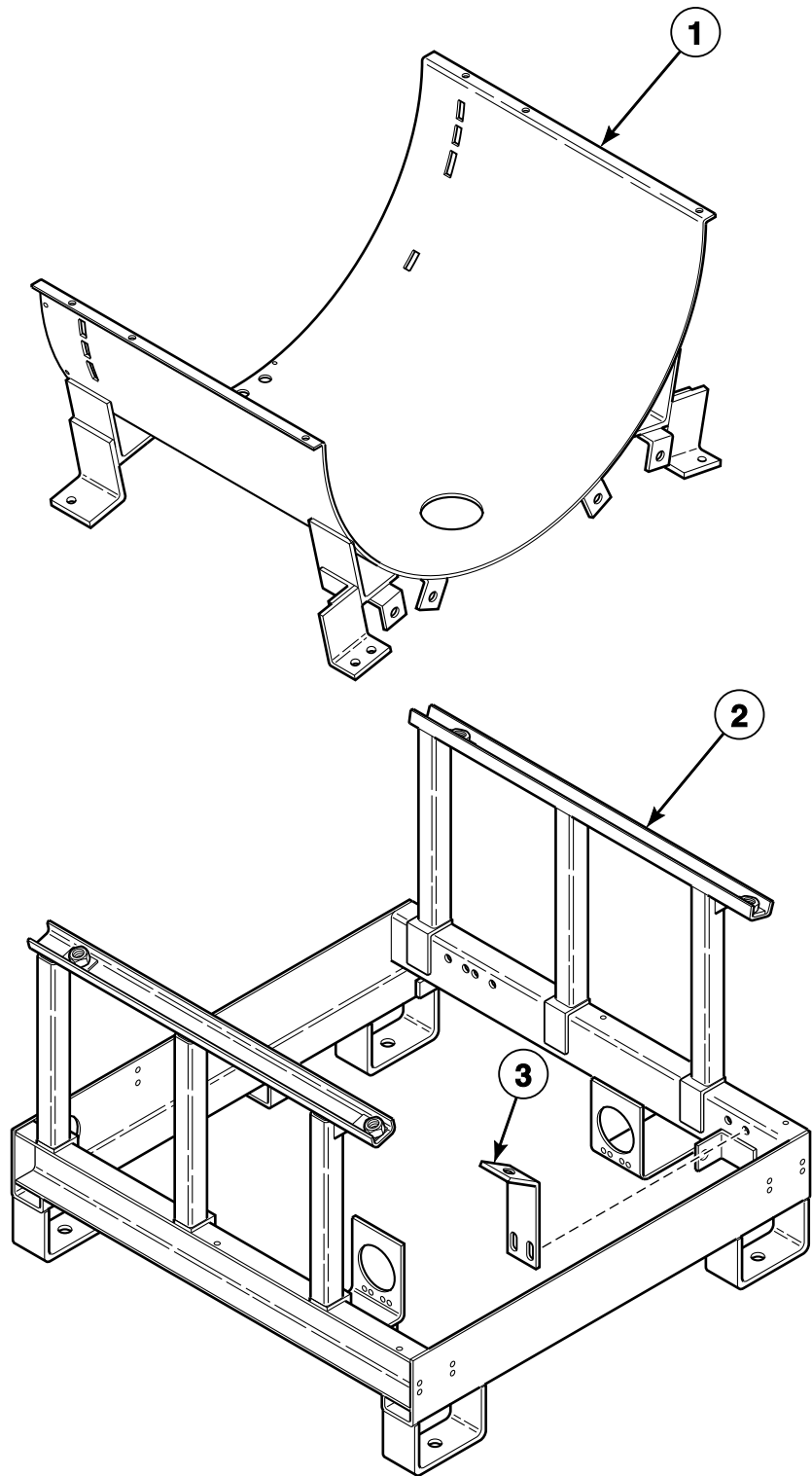
WE-8 Micro

CFD266P_9001005

Cabinet Freestanding Washer-Extractor Product Overview

REF	PART NO.	DESCRIPTION	COMMENTS
1	-	Product Family	HX NX SX UX
2	-	Capacity (Pounds)	18 25 30 35 55 or 055 75 or 075 100 135 165
3	-	Control	B (B Computer) P (WE-8 Micro)
4	-	Speed	V (Variable)
5	-	Voltage	N (440-480/50-60/3/3) P (380-415/50-60/3/3) Q (200-240/50-60/3/3) X (200-240/50-60/1/3)
6	-	OEM	A F M U
7	-	Design	6 and 7

Frame - 55 Pound Models

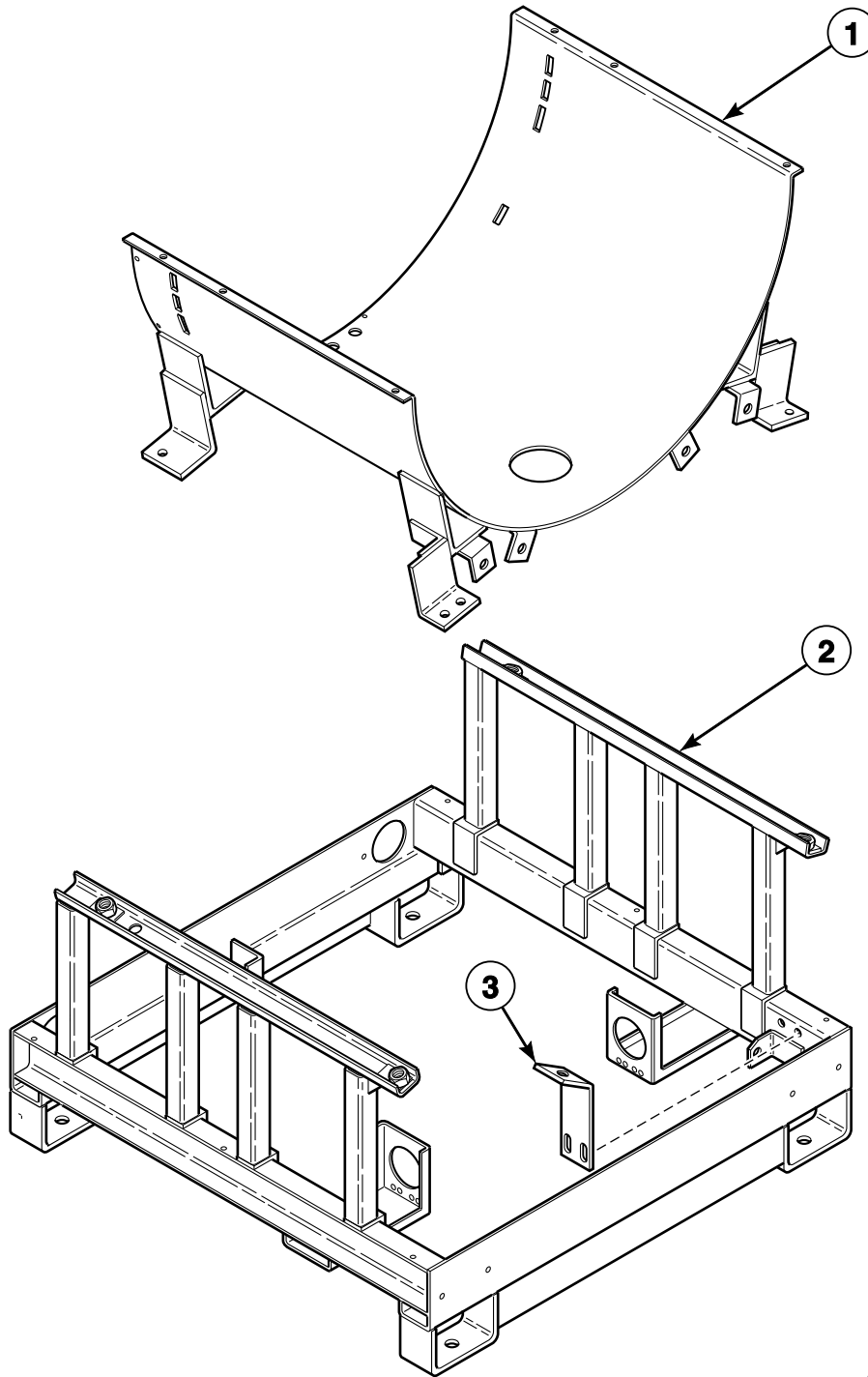


CFD110P_9001005

Frame - 55 Pound Models

REF	PART NO.	DESCRIPTION	COMMENTS
1	B12616001	Tub Support	
2	114/00019/50	Frame	
3	114/00024/00	Shipping Brace	

Frame - 75 Pound Models

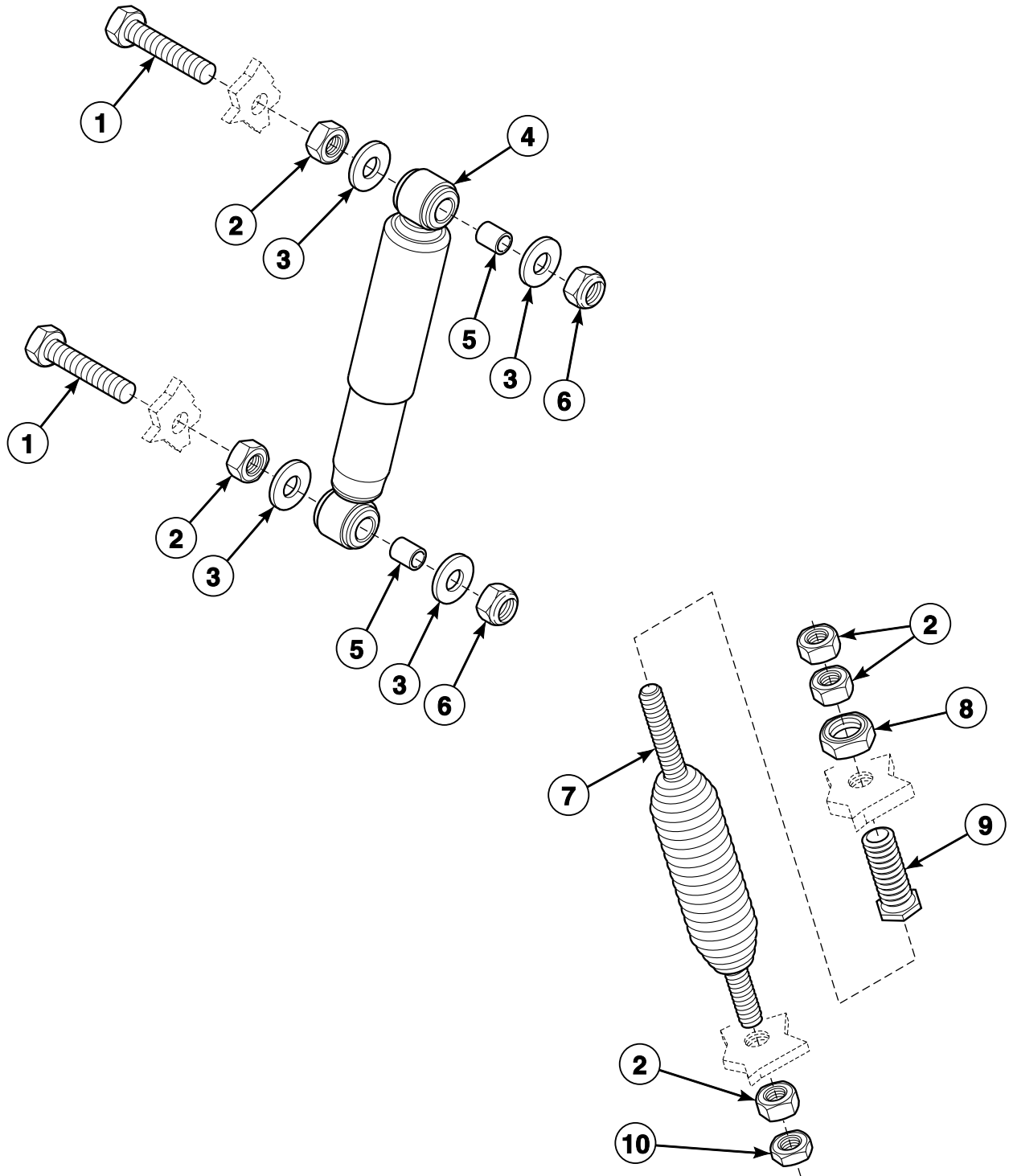


CFD111P_9001005

Frame - 75 Pound Models

REF	PART NO.	DESCRIPTION	COMMENTS
1	115/00118/00	Tub Support	
2	114/00018/50	Frame	
3	114/00023/00	Shipping Brace	

Shock and Spring Assembly - 55 Pound Models Through 6/20/11 and 75 Pound Models Through 11/13/11

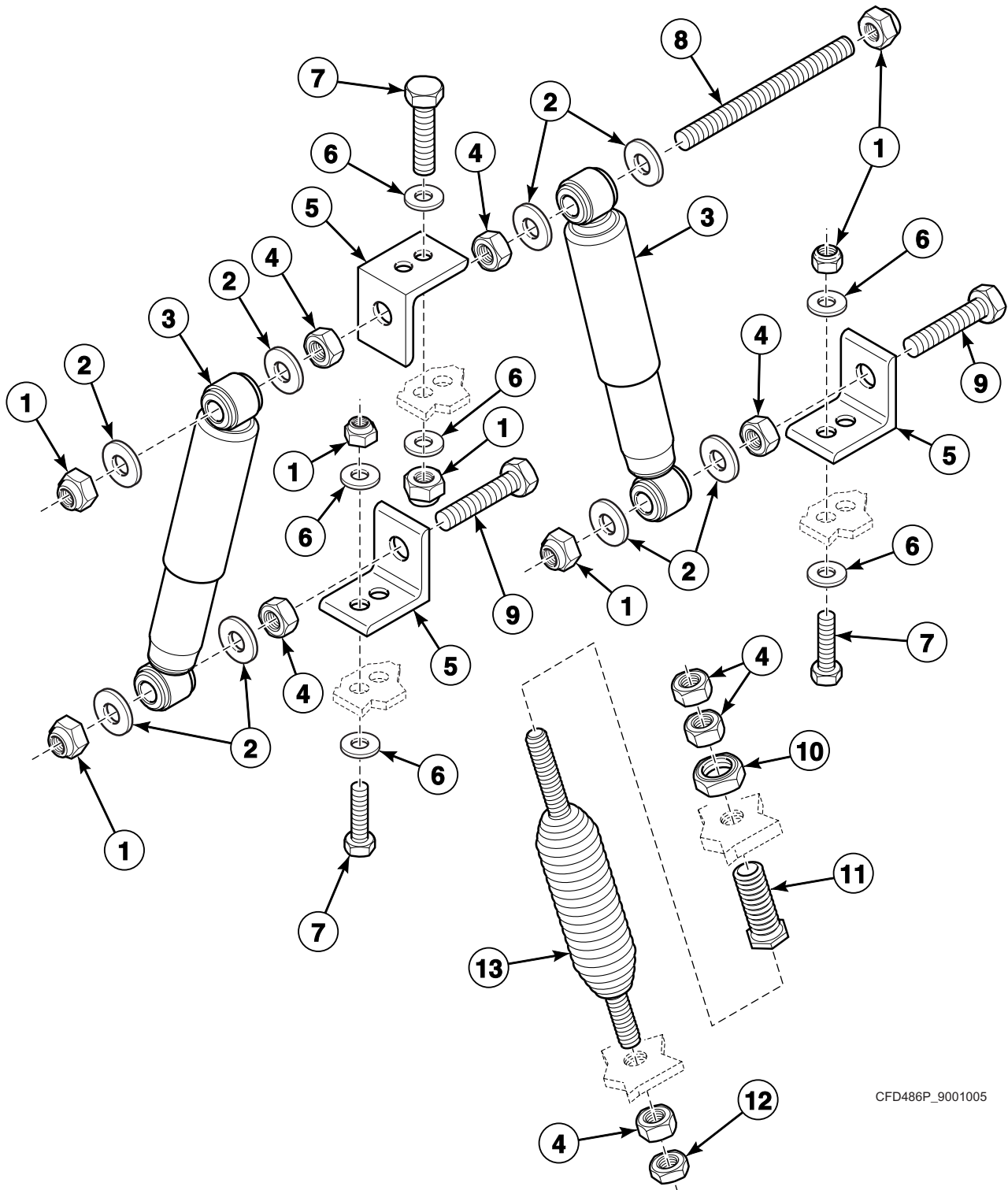


CFD273P_9001005

Shock and Spring Assembly - 55 Pound Models Through 6/20/11 and 75 Pound Models Through 11/13/11

REF	PART NO.	DESCRIPTION	COMMENTS
	B12419101	Shock Absorber Service Kit	55 pound models; Used to convert to the dual shock absorber configuration
	B12460901	Shock Absorber Service Kit	75 pound models; Used to convert to the dual shock absorber configuration
1	206/00153/00	Bolt	
2	204/00012/00	Nut	
3	201/00023/00	Washer	
4	247/00008/00	Shock Absorber	Includes 2 of item 5, 3 used per machine
5	211/00137/10	Shock Absorber Bushing	
6	204/00113/00	Nut	
7	B12456301	Suspension Spring	55 pound models
	B12440101	Suspension Spring	75 pound models
8	204/00016/00	Nut	
9	224/00046/00	Bolt	
10	204/00019/00	Nut	

Shock and Spring Assembly - 55 Pound Models Starting 6/21/11

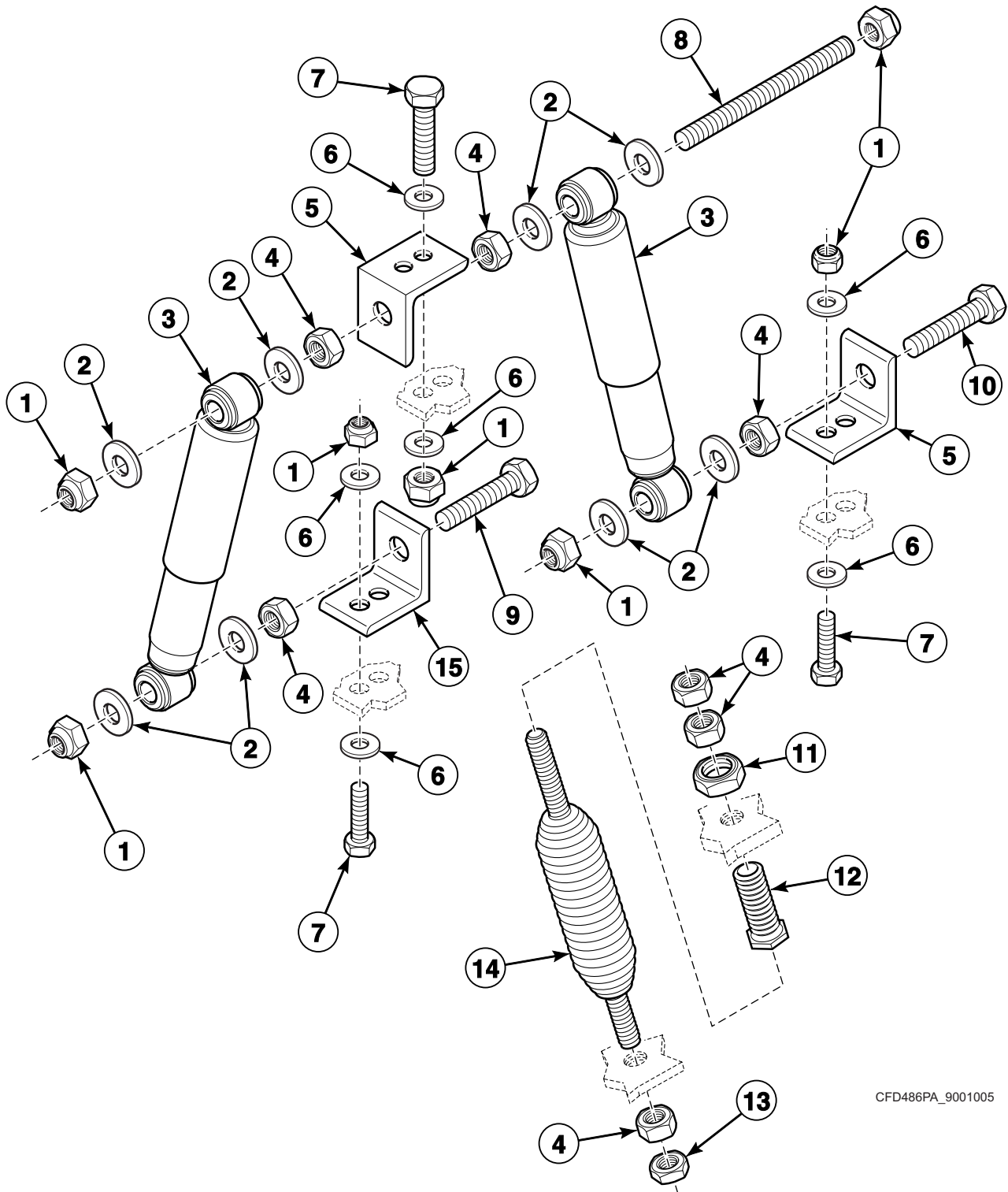


CFD486P_9001005

Shock and Spring Assembly - 55 Pound Models Starting 6/21/11

REF	PART NO.	DESCRIPTION	COMMENTS
	B12419101	Shock Absorber Service Kit	Includes items 1-6, 8, 9, 206/00119/00 Bolt, 204/00110/00 Nut, 111/10101/00 Dispenser Front Mounting Plate, 111/10102/00 Dispenser Rear Mounting Plate, 206/00027/00 Bolt, 202/00004/00 Washer, 204/00114/00 Nut, B12419501 Small Caliber and B12419401 Large Caliber
1	204/00113/00	Nut	
2	201/00001/00	Washer	
3	247/00008/00	Shock Absorber	
4	204/00012/00	Nut	
5	B12418401	Support	
6	201/00010/00	Washer	
7	206/00087/00	Bolt	
8	B12511601	Threaded Rod	
9	206/00153/00	Bolt	
10	204/00016/00	Nut	
11	224/00046/00	Bolt	
12	204/00019/00	Nut	
13	B12456301	Suspension Spring	

Shock and Spring Assembly - 75 Pound Models Starting 11/14/11

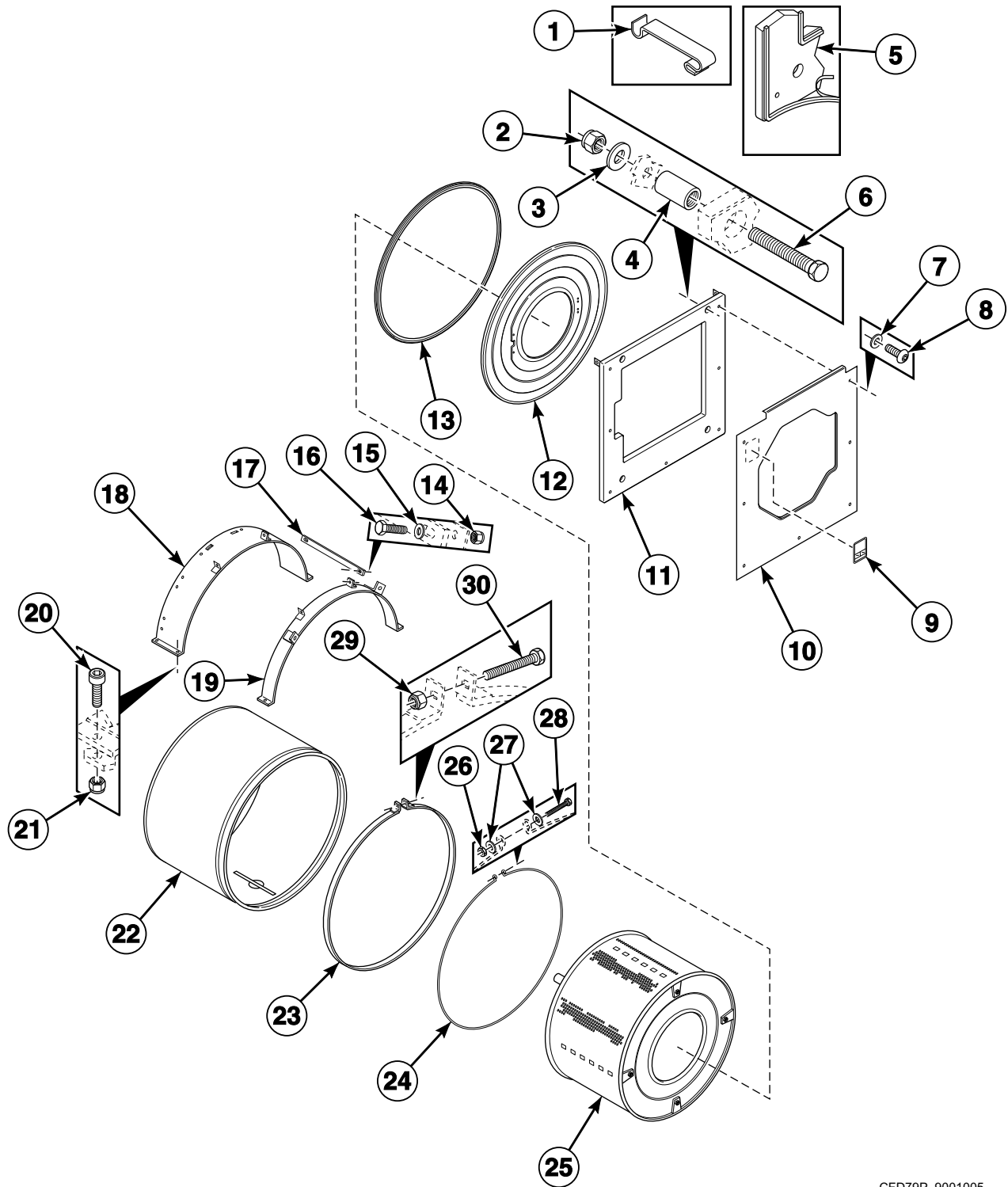


CFD486PA_9001005

Shock and Spring Assembly - 75 Pound Models Starting 11/14/11

REF	PART NO.	DESCRIPTION	COMMENTS
	B12460901	Shock Absorber Service Kit	Includes items 1-6, 8-10, and 15, 206/00119/00 Bolt, 204/00110/00 Nut, B12459801 Out-of-Balance Frame, B12456101 Support Bracket, B12456201 Support Bracket, 206/00027/00 Bolt, 202/00004/00 Washer, 204/00114/00 Nut, B12463301 Small Caliber and B12463201 Large Caliber
1	204/00113/00	Nut	
2	201/00001/00	Washer	
3	247/00008/00	Shock Absorber	
4	204/00012/00	Nut	
5	B12455401	Support	
6	201/00010/00	Washer	
7	206/00087/00	Bolt	
8	B12511601	Threaded Rod	
9	206/00153/00	Bolt	
10	B12455301	Support	
11	204/00016/00	Nut	
12	224/00046/00	Bolt	
13	204/00019/00	Nut	
14	B12456301	Suspension Spring	
15	B12418401	Support	

Shell, Basket and Front Panel - Design 6 Models

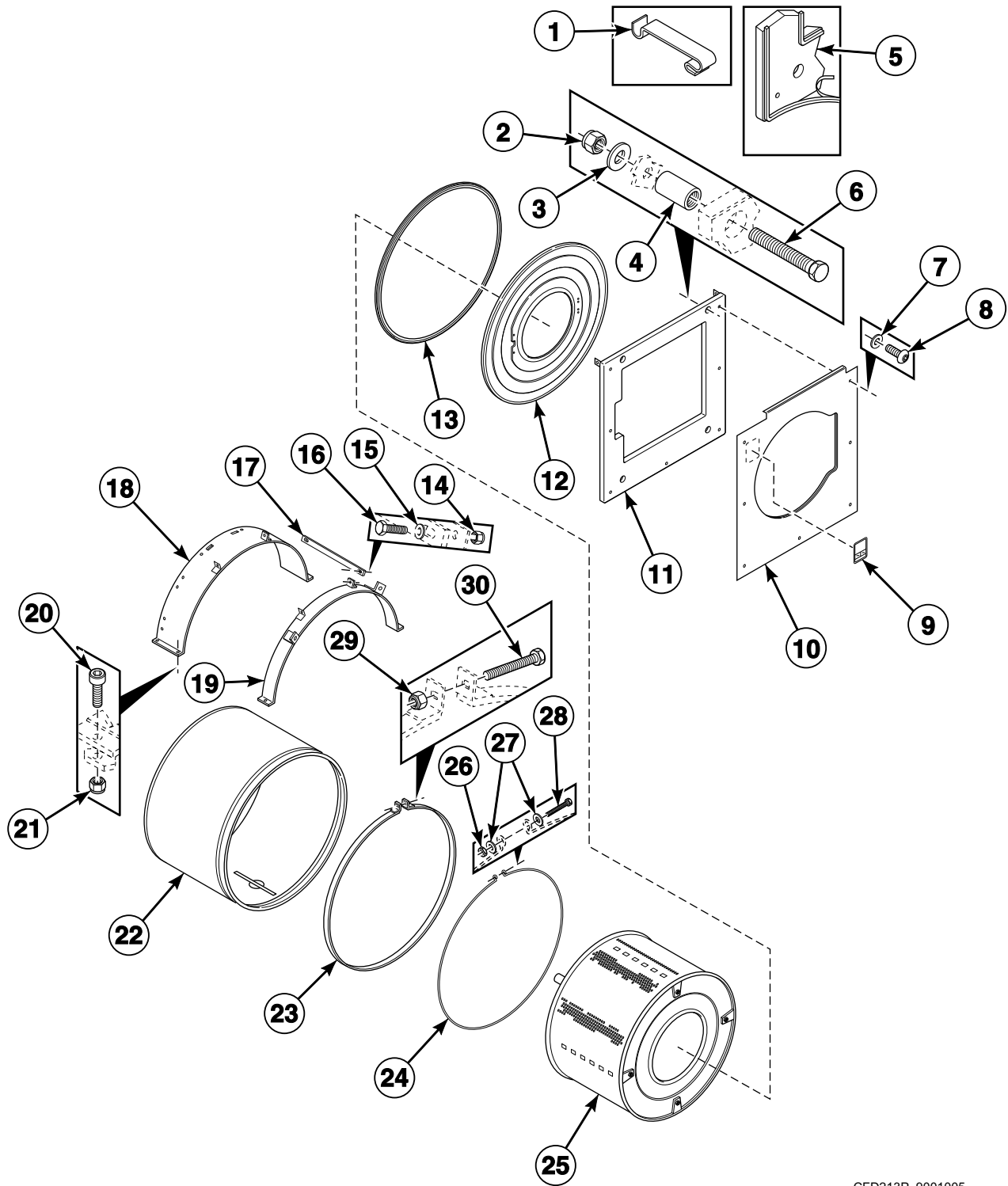


CFD79P_9001005

Shell, Basket and Front Panel - Design 6 Models

REF	PART NO.	DESCRIPTION	COMMENTS
1	217/00008/00	Tub Front Panel Clip	
2	204/00113/00	Nut	
3	B12522101	Washer	
4	115/00151/00	Spacer	
5	246/00092/00	Gasket	
6	206/00071/00	Bolt	
7	201/00007/00	Washer	55 pound models
	202/00105/00	Washer	75 pound models
8	208/00122/00	Screw	55 pound models
	208/00123/00	Screw	75 pound models
9	229/00281/00	Door Handle Decal	
10	9001096	Door Front Panel	55 pound models
	111/32568/00	Door Front Panel	75 pound models
11	115/00140/00	Counterweight	55 pound models
	115/00136/00	Counterweight	75 pound models
12	138/00001/00	Tub Front	55 pound models
	131/00002/00	Front Panel	75 pound models
13	223/00242/40	Tub Front Panel Gasket	55 pound models
	223/00242/50	Front Panel Gasket	75 pound models
14	204/00109/00	Nut	
15	201/00010/00	Washer	
16	206/00009/00	Bolt	
17	115/00125/00	Tub Mount Rings Bracket	
18	115/00162/00	Tub Tightening Ring	
19	115/00161/00	Tub Front Mounting Strap	55 pound models
	115/00163/00	Tub Tightening Ring	75 pound models
20	206/00111/00	Screw	
21	204/00111/00	Nut	
22	119/00213/11	Tub	Model UX55PVXF6
	B12330201	Tub	All other 55 pound models; Standard
	B12330101	Tub	All other 55 pound models; Electric heat
	B12330301	Tub	All other 55 pound models; Electric and steam heat
	B12330601	Tub	75 pound models; Standard
	B12330501	Tub	75 pound models; Electric and steam heat
	B12330701	Tub	75 pound models; Steam heat
23	137/00008/00	Tub Mounting Strap	55 pound models
	131/00010/00	Tub Strap	75 pound models
24	238/00011/00	Tub Clamp Ring	55 pound models
	231/00010/00	Tub Front Ring Clamp	75 pound models
25	B12327101	Cylinder and Shaft Assembly	55 pound models; Models through 1/30/11
	B12543201	Basket Kit	55 pound models; Models through 1/30/11; Includes B12380901 Basket and 3884P Bearing and Seal Kit
	B12380901	Basket	55 pound models; Models starting 1/31/11; 3 mm
	B12381001	Basket	55 pound models; Models starting 1/31/11; 9 mm
	B12327301	Drum	75 pound models; Models starting Serial No. 10040300103
	B12537901	Basket and Pulley Kit	Models through Serial No. 10040300102; Includes B12327301 Basket, 226/00150/00 Basket Pulley, 206/00056/00 Screw, 226/00152/00 Motor Pulley, 226/00151/00 Belt and 212/00026/00 Key
26	204/00009/00	Nut	
27	201/00007/00	Washer	
28	206/00032/00	Bolt	
29	204/00111/00	Nut	
30	206/00066/00	Bolt	

Shell, Basket and Front Panel - Design 7 Models



CFD213P_9001005

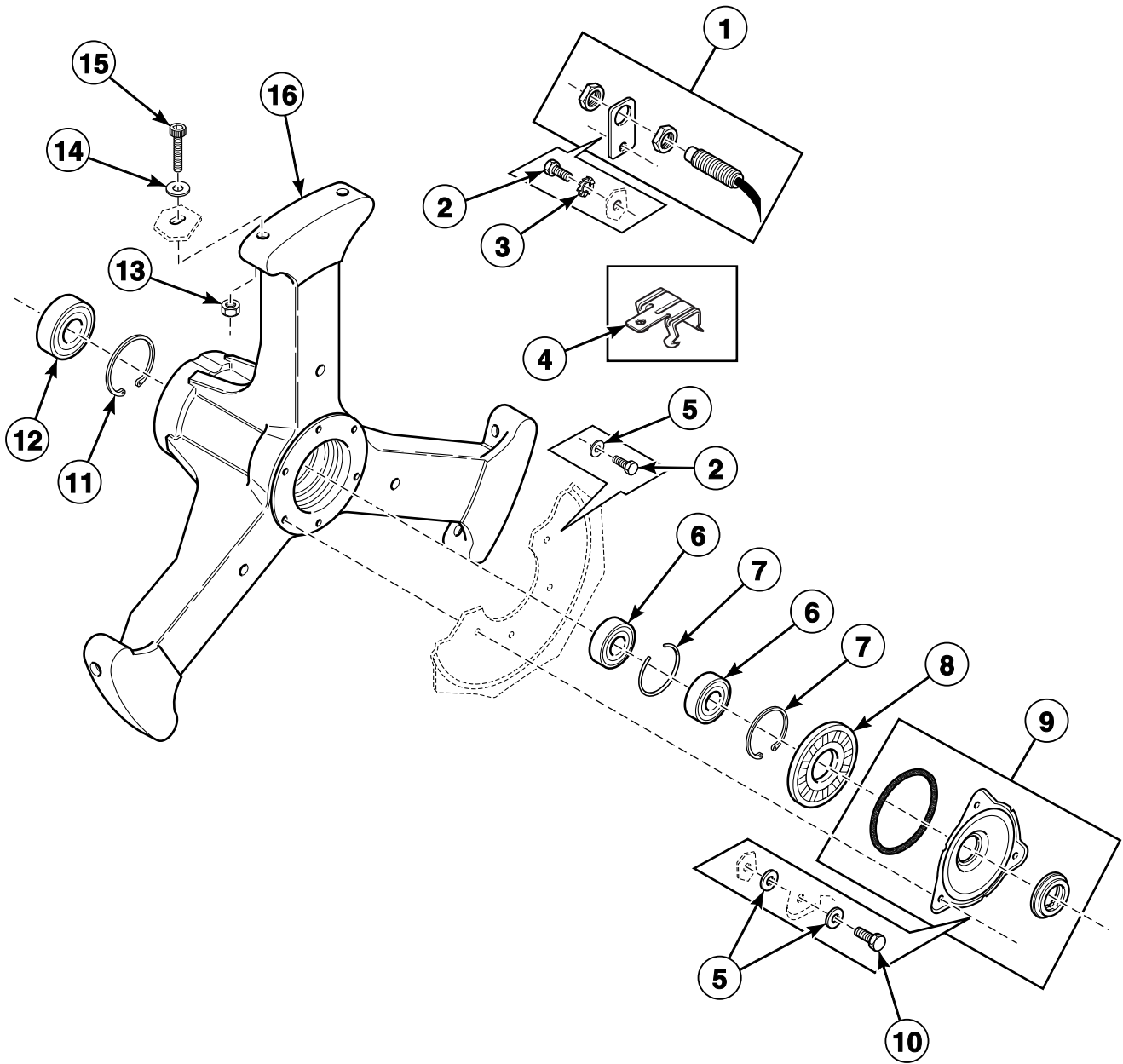
Shell, Basket and Front Panel - Design 7 Models

REF	PART NO.	DESCRIPTION	COMMENTS
1	217/00008/00	Tub Front Panel Clip	
2	204/00113/00	Nut	
3	201/00001/00	Washer	
4	115/00151/00	Spacer	
5	246/00092/00	Gasket	
6	206/00071/00	Bolt	
7	201/00007/00	Washer	55 pound models
	202/00105/00	Washer	75 pound models
8	208/00122/00	Screw	55 pound models
	208/00123/00	Screw	75 pound models
9	229/00281/00	Door Handle Decal	
10	111/05015/00	Door Front Panel	
11	115/00140/00	Counterweight	55 pound models
	9001023	Counterweight	75 pound models
12	138/00001/00	Tub Front	55 pound models
	131/00002/00	Front Panel	75 pound models
13	223/00242/40	Tub Front Panel Gasket	55 pound models
	223/00242/50	Front Panel Gasket	75 pound models
14	204/00109/00	Nut	
15	201/00010/00	Washer	
16	206/00009/00	Bolt	
17	115/00125/00	Tub Mount Rings Bracket	
18	115/00162/00	Tub Tightening Ring	
19	115/00161/00	Tub Front Mounting Strap	55 pound models
	115/00163/00	Tub Tightening Ring	75 pound models
20	206/00111/00	Screw	
21	204/00111/00	Nut	
22	119/00213/11	Tub	Models UX055PVXF7 and UX55PVXF7
	B12330201	Tub	All other 55 pound models; Standard
	B12330101	Tub	All other 55 pound models; Electric heat
	B12330301	Tub	All other 55 pound models; Electric and steam heat
	B12330601	Tub	75 pound models; Standard
	B12330501	Tub	75 pound models; Electric and steam heat
	B12330701	Tub	75 pound models; Steam heat
23	137/00008/00	Tub Mounting Strap	55 pound models
	131/00010/00	Tub Strap	75 pound models
24	238/00011/00	Tub Clamp Ring	55 pound models
	231/00010/00	Tub Front Ring Clamp	75 pound models
25	B12327101	Cylinder and Shaft Assembly	55 pound models; Models through 1/30/11
	B12543201	Basket Kit	55 pound models; Models through 1/30/11; Includes B12380901 Basket and 3884P Bearing and Seal Kit
	B12380901	Basket	55 pound models; Models starting 1/31/11; 3 mm
	B12381001	Basket	55 pound models; Models starting 1/31/11; 9 mm
	B12327301	Drum	75 pound models; Models starting Serial No. 10040300103
	B12537901	Basket and Pulley Kit	Models through Serial No. 10040300102; Includes B12327301 Basket, 226/00150/00 Basket Pulley, 206/00056/00 Screw, 226/00152/00 Motor Pulley, 226/00151/00 Belt and 212/00026/00 Key
26	204/00009/00	Nut	
27	201/00007/00	Washer	
28	206/00032/00	Bolt	
29	204/00111/00	Nut	
30	206/00066/00	Bolt	

Bearing Assembly - 55 Pound Models Through 1/30/11

REF	PART NO.	DESCRIPTION	COMMENTS
	891P3	Bearing Replacement Kit	Includes items 5, 6, 11, 12, 14, 219/00004/00 Counter Ring and 223/00242/00 Tub Front Gasket
	385P4	Bearing Replacement Tool Kit	
1	210/00074/00	Speed Detector	
2	205/00104/00	Bolt	
3	203/00004/00	Washer	
4	224/00051/00	Caddy Bracket	4H58-4
	224/00052/00	Caddy Bracket	4H912
5	201/00201/00	Washer	
6	212/00004/00	Ball Bearing	
7	212/00006/00	Retainer Ring	
8	217/00002/00	O-Ring	
9	219/00001/00	Seal Cover	
10	219/00003/00	Shaft Seal	
11	119/00001/01	Seal Holder Assembly	
12	205/00102/00	Bolt	
13	212/00037/00	Retainer Ring	
14	F100134	Bearing	
15	204/00113/00	Nut	
16	201/00001/00	Washer	
17	206/00158/00	Screw	
18	139/10006/00	Bearing Housing Assembly	Includes items 6-7 and 13-14

Bearing Assembly - 55 Pound Models Starting 1/31/11

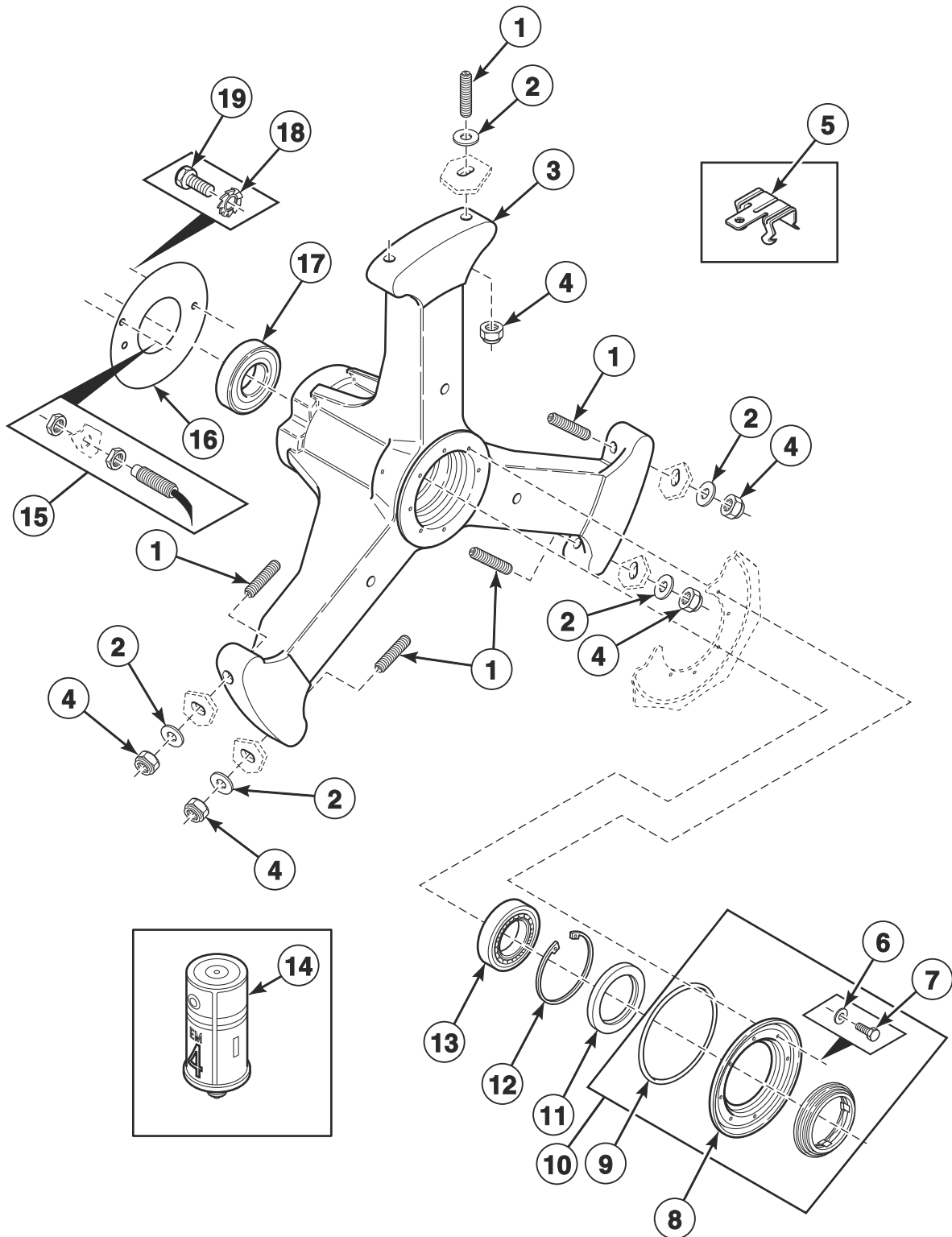


CFD546P_9001005

Bearing Assembly - 55 Pound Models Starting 1/31/11

REF	PART NO.	DESCRIPTION	COMMENTS
	3884P	Bearing and Seal Kit	Includes items 5, 6, 8-10, 12, 219/00004/00 Counter Ring and 223/00242/40 Tub Front Panel Gasket
	381P3	Bearing Replacement Tool Kit	
1	210/00074/00	Speed Detector	
2	205/00104/00	Bolt	
3	203/00004/00	Washer	
4	224/00051/00	Caddy Bracket	4H58-4
	224/00052/00	Caddy Bracket	4H912
5	201/00201/00	Washer	
6	212/00004/00	Ball Bearing	
7	212/00006/00	Retainer Ring	
8	B12332301	Lip Seal	
9	B12333701	Seal Plate Assembly	
10	205/00102/00	Bolt	
11	212/00037/00	Retainer Ring	
12	F100134	Bearing	
13	204/00113/00	Nut	
14	201/00001/00	Washer	
15	206/00158/00	Screw	
16	139/10006/00	Bearing Housing Assembly	Includes items 6, 7, 11 and 12

Bearing Assembly - 75 Pound Models

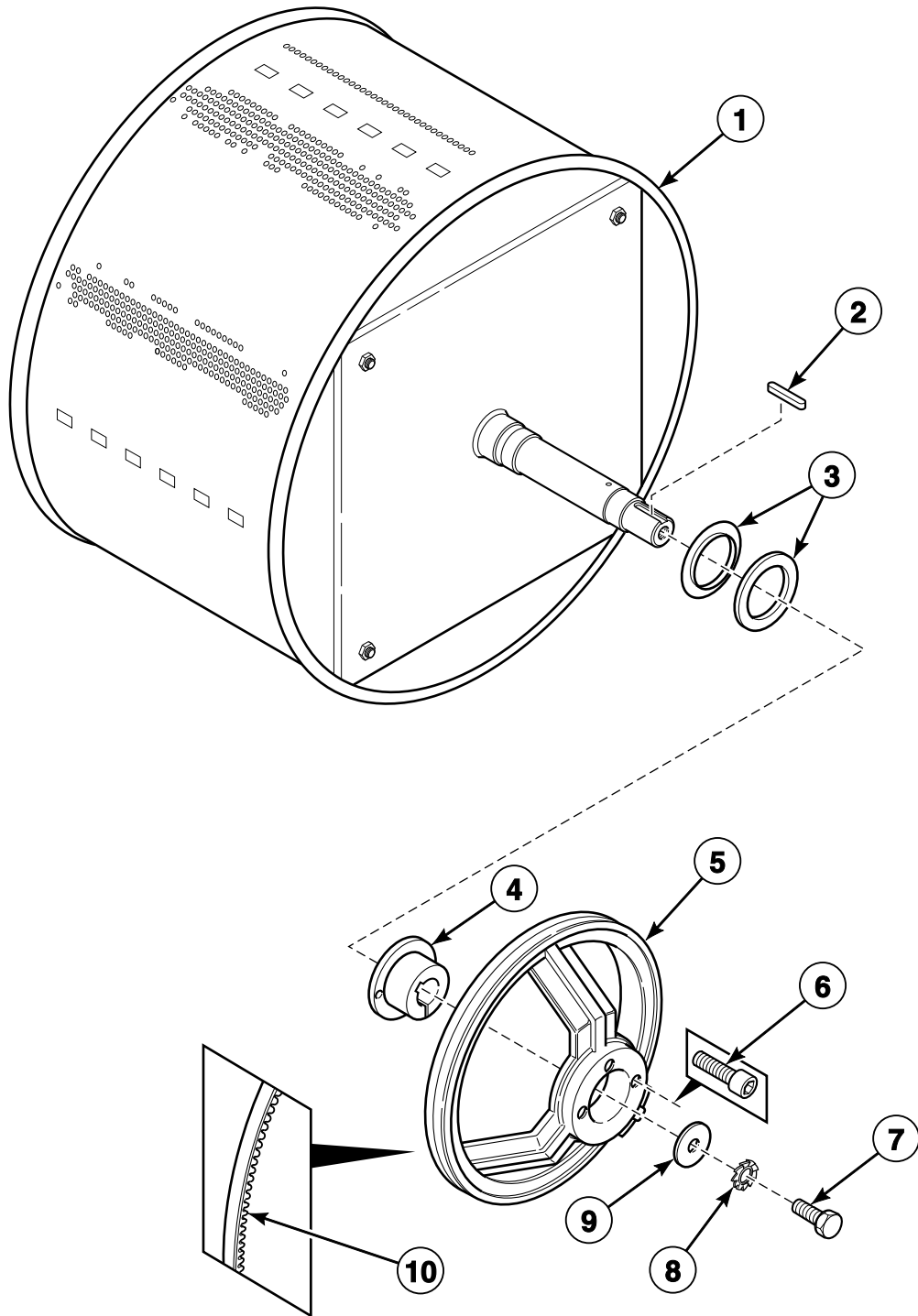


CFD45P_9001005

Bearing Assembly - 75 Pound Models

REF	PART NO.	DESCRIPTION	COMMENTS
	892P3	Bearing Replacement Kit	Includes 132/00009/00 Shaft Seal, 223/00242/00 Tub Front Gasket, 232/00008/00 Counter Ring and items 6, 7, 10, 11, 13, 14 and 17
	385P4	Bearing Replacement Tool Kit	
1	206/00158/00	Screw	
2	201/00001/00	Washer	
3	212/10036/01	Bearing Housing Assembly	Includes items 13 and 17
4	204/00113/00	Nut	
5	224/00051/00	Caddy Bracket	4H58-4
	224/00052/00	Caddy Bracket	4H912
6	201/00202/00	Washer	
7	205/00104/00	Bolt	
8	131/00035/00	Seal Cover Plate	
9	231/00036/00	O-Ring	
10	131/00035/01	Seal Holder Assembly	Includes items 6-9
11	212/00007/00	Grease Ring	
12	212/00006/00	Retainer Ring	
13	212/00005/00	Roller Bearing	
14	212/00002/00	Lubricator	FAG manufactured bearings
15	210/00075/00	Speed Detector	
16	112/00004/00	Bearing Housing Cover	
17	212/00004/00	Ball Bearing	
18	203/00003/00	Washer	
19	206/00010/00	Bolt	

Basket, Pulley and Belt - 55 Pound Models

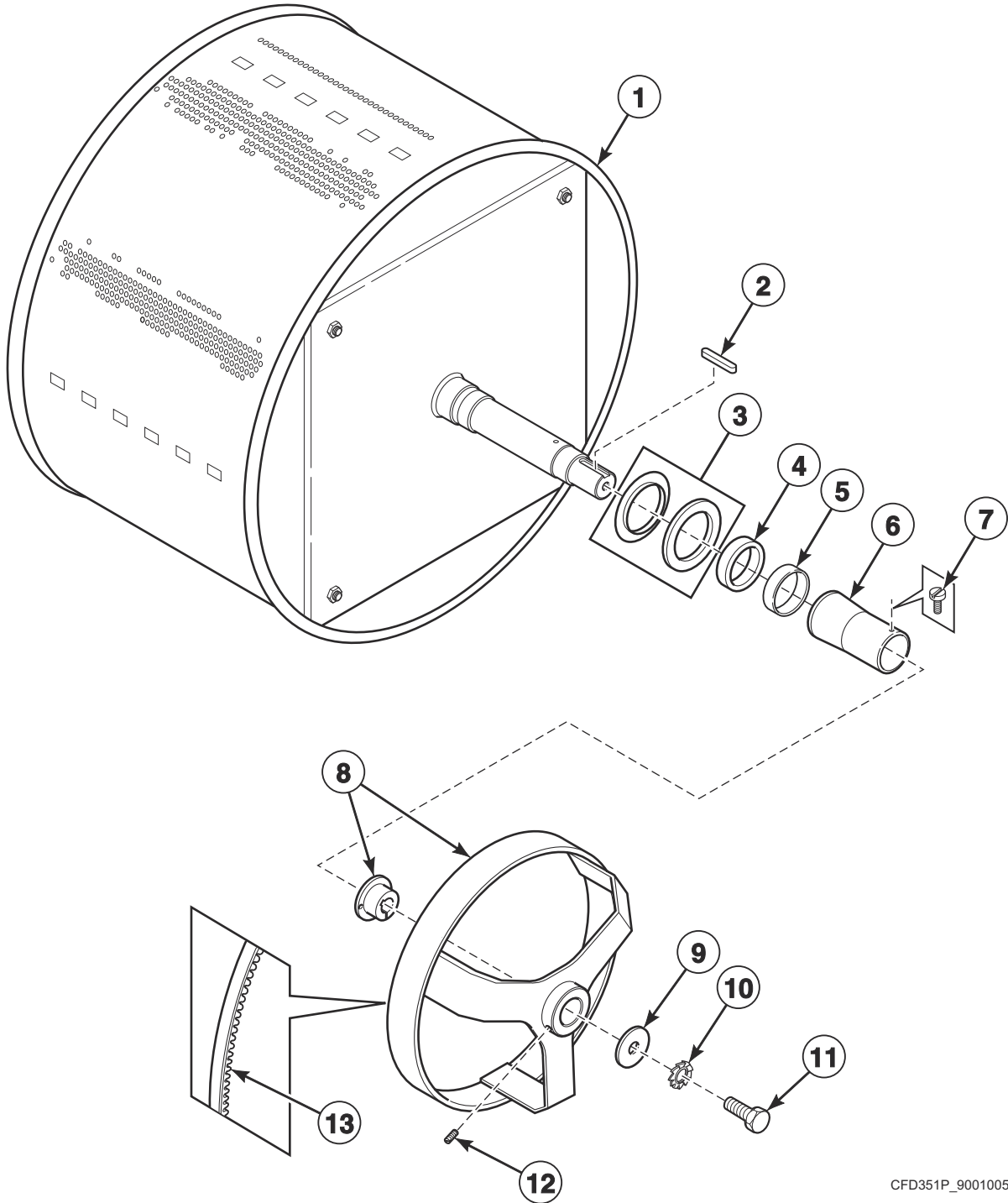


CFD37P_9001005

Basket, Pulley and Belt - 55 Pound Models

REF	PART NO.	DESCRIPTION	COMMENTS
1	B12327101	Cylinder and Shaft Assembly	Models through 1/30/11
	B12543201	Basket Kit	Models through 1/30/11; Includes B12380901 Basket and 3884P Bearing and Seal Kit
	B12380901	Basket	Models starting 1/31/11; 3 mm
	B12381001	Basket	Models starting 1/31/11; 9 mm
2	212/00026/00	Key	
3	219/00004/00	Counter Ring	
4	239/00013/00	Pulley	
5	967P3	Pulleys and Belt Kit	Models through Serial No. 08010230051; Includes 185/00086/00 Pulley, 226/00148/00 Pulley and 226/00149/00P Belt; Converts V-belt to flat belt configuration
	226/00148/00	Pulley	Used with serpentine/poly-V belt
6	206/00130/00	Bolt	2 required
7	206/00004/00	Bolt	
8	203/00001/00	Washer	
9	201/00011/00	Washer	
10	226/00102/01	Belt	Models through 2008 with Serial No. 08010230051; V-belt; 2 required
	226/00149/00	Belt	Models starting 2008 with Serial No. 08010230052; Serpentine/poly-V; 1 required

Basket, Pulley and Belt - 75 Pound Models



CFD351P_9001005

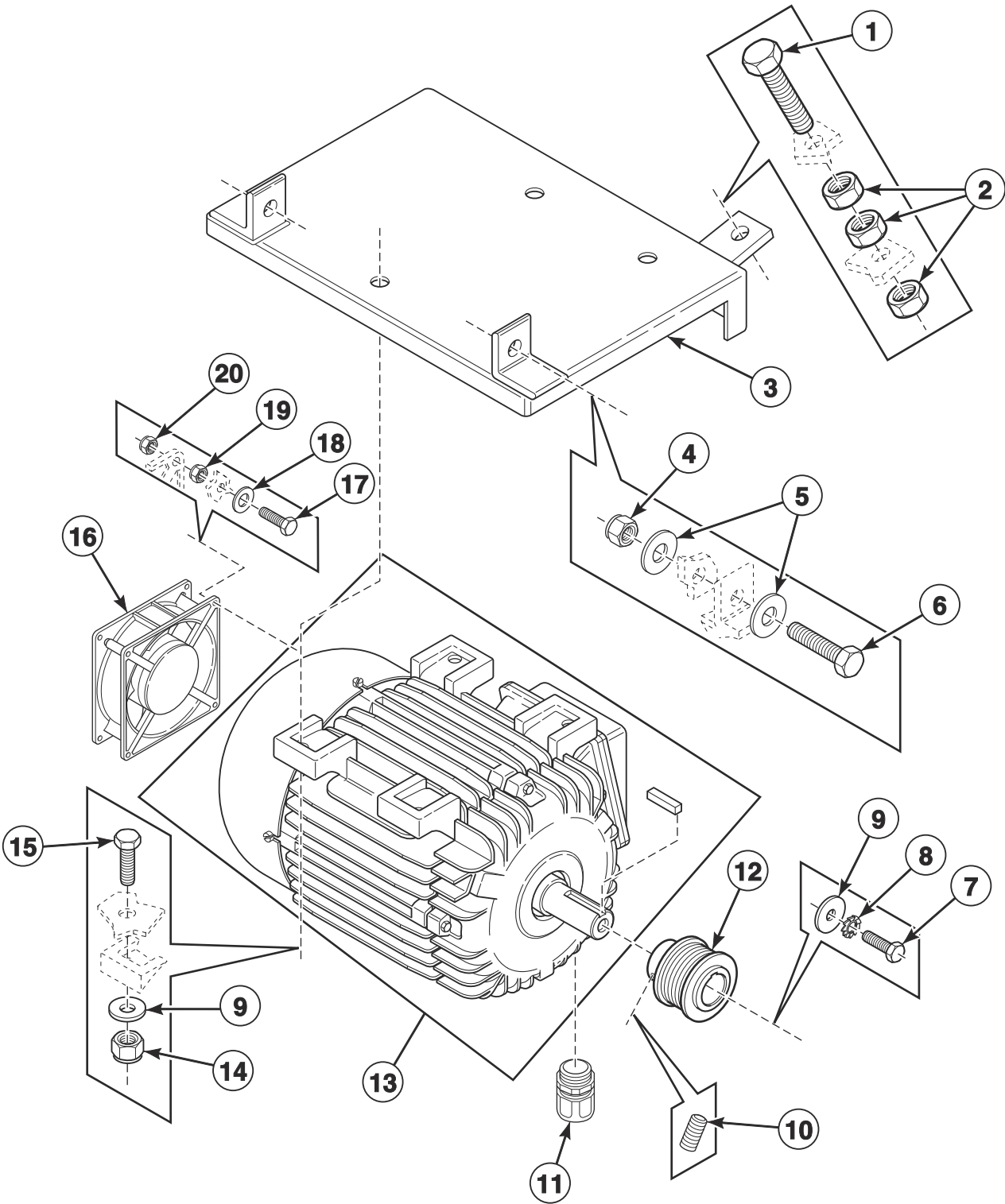
Basket, Pulley and Belt - 75 Pound Models

REF	PART NO.	DESCRIPTION	COMMENTS
1	B12537901	Basket and Pulley Kit	Models through Serial No. 10040300102; Includes B12327301 Basket, 226/00150/00 Basket Pulley, 206/00056/00 Screw, 226/00152/00 Motor Pulley, 226/00151/00 Belt and 212/00026/00 Key
	B12327301	Drum	Models starting Serial No. 10040300103
2	212/00026/00	Key	Models starting Serial No. 10040300103
3	232/00008/00	Counter Ring	
4	132/00009/00	Shaft Seal	
5	212/00005/00	Roller Bearing	
6	232/00020/00	Bearing Spacer	
7	207/00110/00	Screw	
8	212/00009/00	Pulley	Models through 12/16/2007; Includes bushing
	239/00014/00	Pulley	Models starting 12/17/2007; Includes bushing
9	201/00011/00	Washer	
10	203/00001/00	Washer	
11	206/00004/00	Bolt	
12	206/00056/00	Screw	Models starting Serial No. 10040300103
13	226/00118/00	Belt	3 required; Models through Serial No. 10040300102
	226/00151/00	Belt	1 required; Models starting Serial No. 10040300103

Motor - 55 Pound Models

REF	PART NO.	DESCRIPTION	COMMENTS
1	204/00019/00	Nut	
2	115/10126/00	Motor Plate	
3	B12511601	Threaded Rod	
4	206/00006/00	Bolt	
5	201/00004/00	Washer	
6	206/00031/00	Screw	
7	211/00138/00	Cordlock	
8	967P3	Pulleys and Belt Kit	Models through Serial No. 08010230051
	185/00086/00	Pulley	Models starting Serial No. 08010230052
9	B12510901	Motor	
10	204/00111/00	Nut	
11	206/00003/00	Bolt	
12	111/00243/00	Intermediate Fan Motor Plate	
13	209/00287/00	Cooling Fan	
14	9001036	Bearing Retainer Ring	
15	204/00115/00	Nut	
16	204/00113/00	Nut	
17	201/00002/00	Washer	
18	206/00072/00	Bolt	

Motor - 75 Pound Models



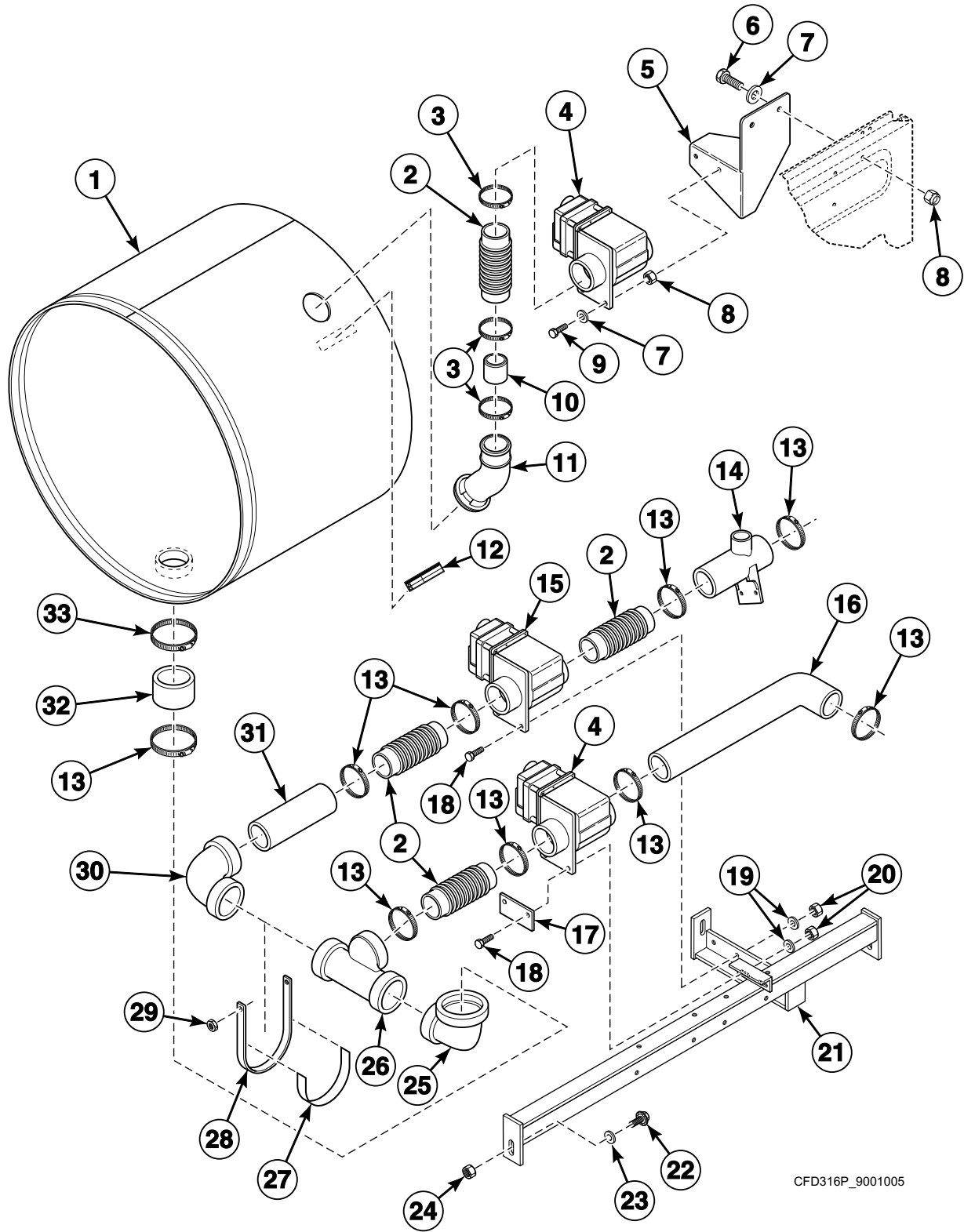
CFD352P_9001005

Motor - 75 Pound Models

REF	PART NO.	DESCRIPTION	COMMENTS
1	206/00047/00	Bolt	
2	204/00012/00	Nut	
3	115/10117/00	Motor Plate	
4	204/00113/00	Nut	
5	201/00001/00	Washer	
6	206/00072/00	Bolt	
7	206/00006/00	Bolt	
8	203/00002/00	Washer	
9	201/00004/00	Washer	
10	206/00056/00	Screw	
11	211/00138/00	Cordlock	
12	226/00117/00	Pulley	Models through Serial No. 10040300102
	226/00152/00	Pulley	Models starting Serial No. 10040300103
13	B12510401	Motor	
14	204/00111/00	Nut	
15	206/00003/00	Bolt	
16	209/00287/00	Cooling Fan	
17	9001329	Screw	
18	203/00006/00	Washer	
19	204/00007/00	Nut	
20	204/00114/00	Nut	

Drain Assembly

Models UX055PVXF7, UX55PVXF6 and UX55PVXF7



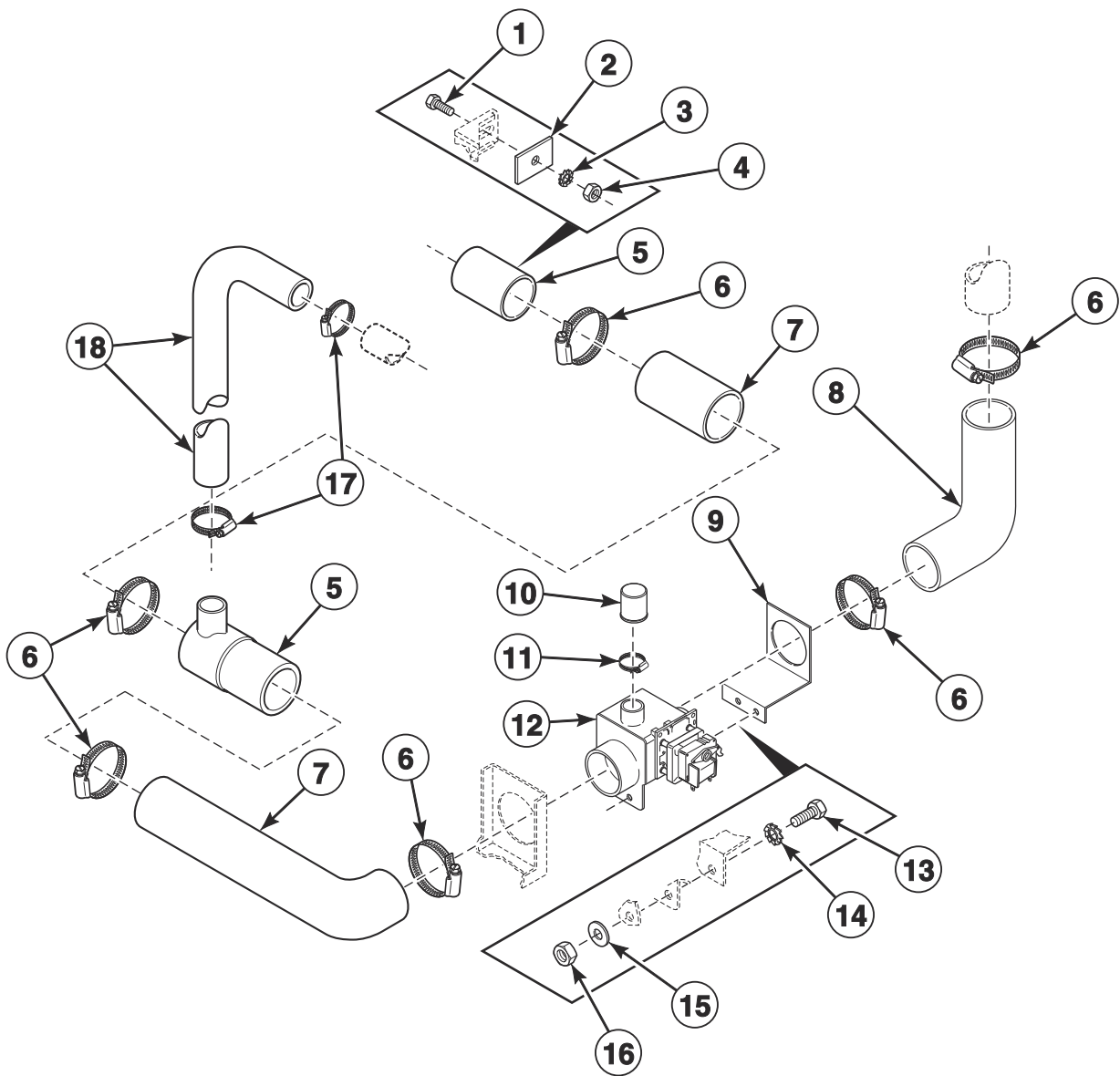
CFD316P_9001005

Drain Assembly

REF	PART NO.	DESCRIPTION	COMMENTS
	210/00905/00	Drain Valve Wiring Harness	
1	119/00213/11	Tub	
2	F200171	Supply Hose	
3	223/00013/00	Hose Clamp	
4	F0380632-00	Drain Valve	
5	111/10312/00	Drain Valve Mounting Bracket	
6	205/00107/00	Bolt	
7	202/00101/00	Washer	
8	204/00009/00	Nut	
9	205/00105/00	Bolt	
10	B12341901	Coupling	
11	F0200236-01	Supply Dispenser Hose	
12	44324001	Warning Label	
13	F200213	Hose Clamp	
14	F0380318-00	Drain Tee	
15	803292	Gravity Drain Valve	
16	F0150470-01	Hose	
17	111/10318/00	Drain Valve Bracket Plate	
18	F430939	Screw	
19	F431147	Washer	
20	F431024	Nut	
21	111/10305/00	Drain Valve Bracket	
22	F430927	Screw	
23	M400080	Washer	
24	F430218	Nut	
25	F200105	Hose	
26	223/00369/00	Tee	
27	246/00149/00	Gasket	1.2 meters used
28	111/10300/00	Drain Support Bracket	
29	204/00113/00	Nut	
30	223/00368/00	Drain Elbow	
31	223/00370/00	Pipe	
32	223/00141/00	Drain Valve to Drain Pipe Hose	
33	F200201	Hose Clamp	

Single Drain Assembly

All Models Except UX055PVXF7, UX55PVXF6 and UX55PVXF7

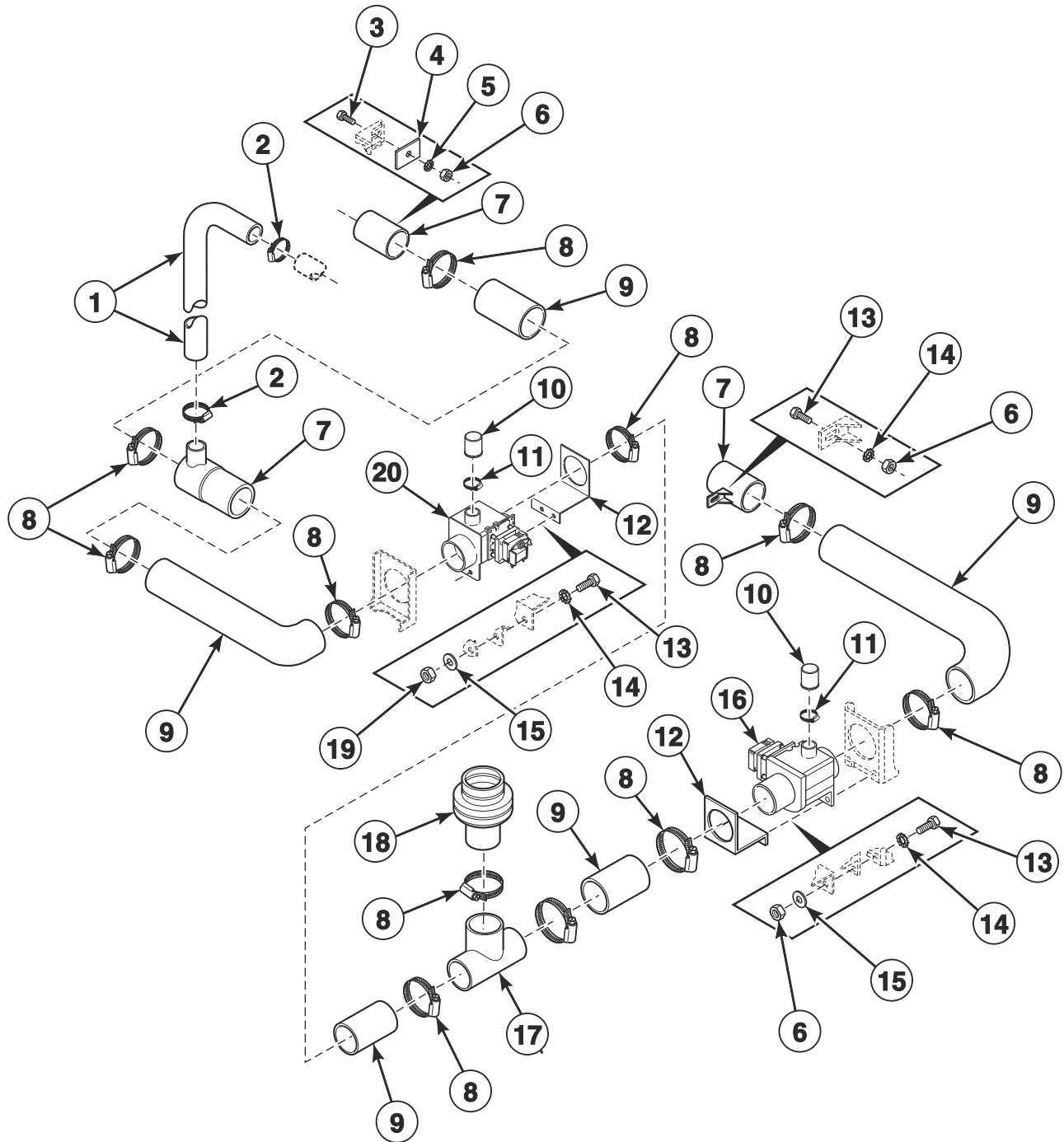


CFD27P_9001005

Single Drain Assembly

REF	PART NO.	DESCRIPTION	COMMENTS
	900/00261/UL00	Drain Valve Harness	
1	205/00103/00	Bolt	
2	101/00007/00	Outlet Pipe Plate Assembly	
3	203/00004/00	Washer	
4	204/00106/00	Nut	
5	223/00106/00	Drain Pipe	
6	223/00071/00	Hose Clamp	
7	223/00141/00	Drain Valve to Drain Pipe Hose	
8	223/00133/00	Drain Tub to Drain Valve Hose	
9	F8619001	Drain Valve Bracket	Used with black valve
	115/00147/00	Drain Valve Plate Assembly	Used with yellow valve
10	223/00086/00	Drain Valve Overflow Plug	
11	223/00012/00	Hose Clamp	
12	B12630701	Drain Valve Kit	
13	206/00009/00	Bolt	
14	203/00003/00	Washer	
15	202/00002/00	Washer	
16	204/00004/00	Nut	
17	223/00013/00	Hose Clamp	
18	223/00131/00	Overflow Hose	

Dual Drain Assembly

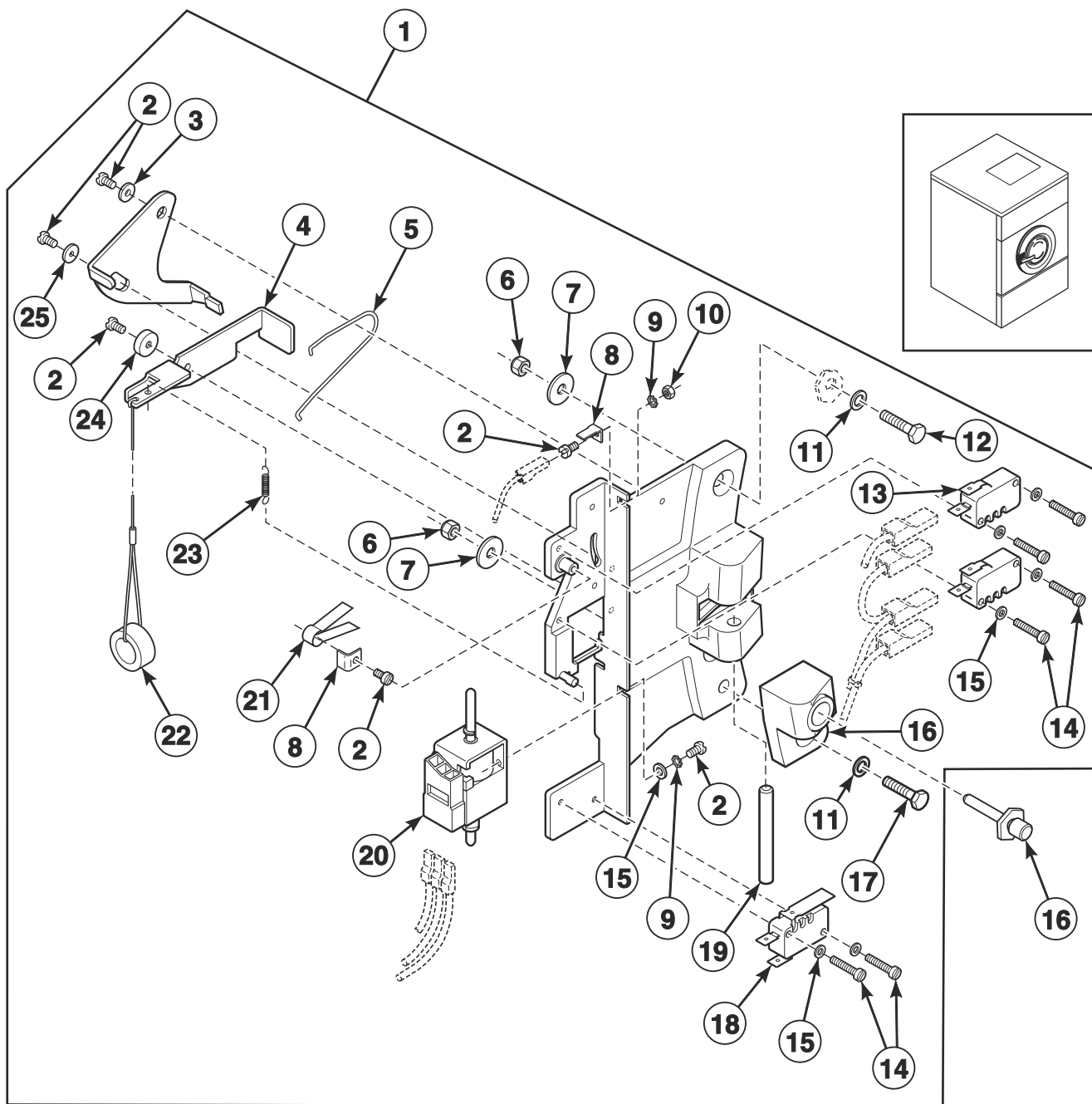


CFD113P_9001005

Dual Drain Assembly

REF	PART NO.	DESCRIPTION	COMMENTS
	900/00261/UL00	Drain Valve Harness	
	831P3	Drain Kit	Includes items 6-18, F200104100 2-Drain Harness and installation instructions
1	223/00131/00	Overflow Hose	
2	223/00013/00	Hose Clamp	
3	205/00103/00	Bolt	
4	101/00007/00	Outlet Pipe Plate Assembly	
5	203/00004/00	Washer	
6	204/00106/00	Nut	
7	223/00106/00	Drain Pipe	
8	223/00071/00	Hose Clamp	
9	223/00141/00	Drain Valve to Drain Pipe Hose	
10	223/00086/00	Drain Valve Overflow Plug	
11	223/00012/00	Hose Clamp	
12	F8619001	Drain Valve Bracket	Used with black valve
	115/00147/00	Drain Valve Plate Assembly	Used with yellow valve
13	206/00009/00	Bolt	
14	203/00003/00	Washer	
15	202/00002/00	Washer	
16	209/00171/00	Drain Valve	
17	253/00006/00	T-Piece	
18	223/00170/00	Exhaust Valve Hose	
19	204/00004/00	Nut	
20	B12630701	Drain Valve Kit	

Door Lock

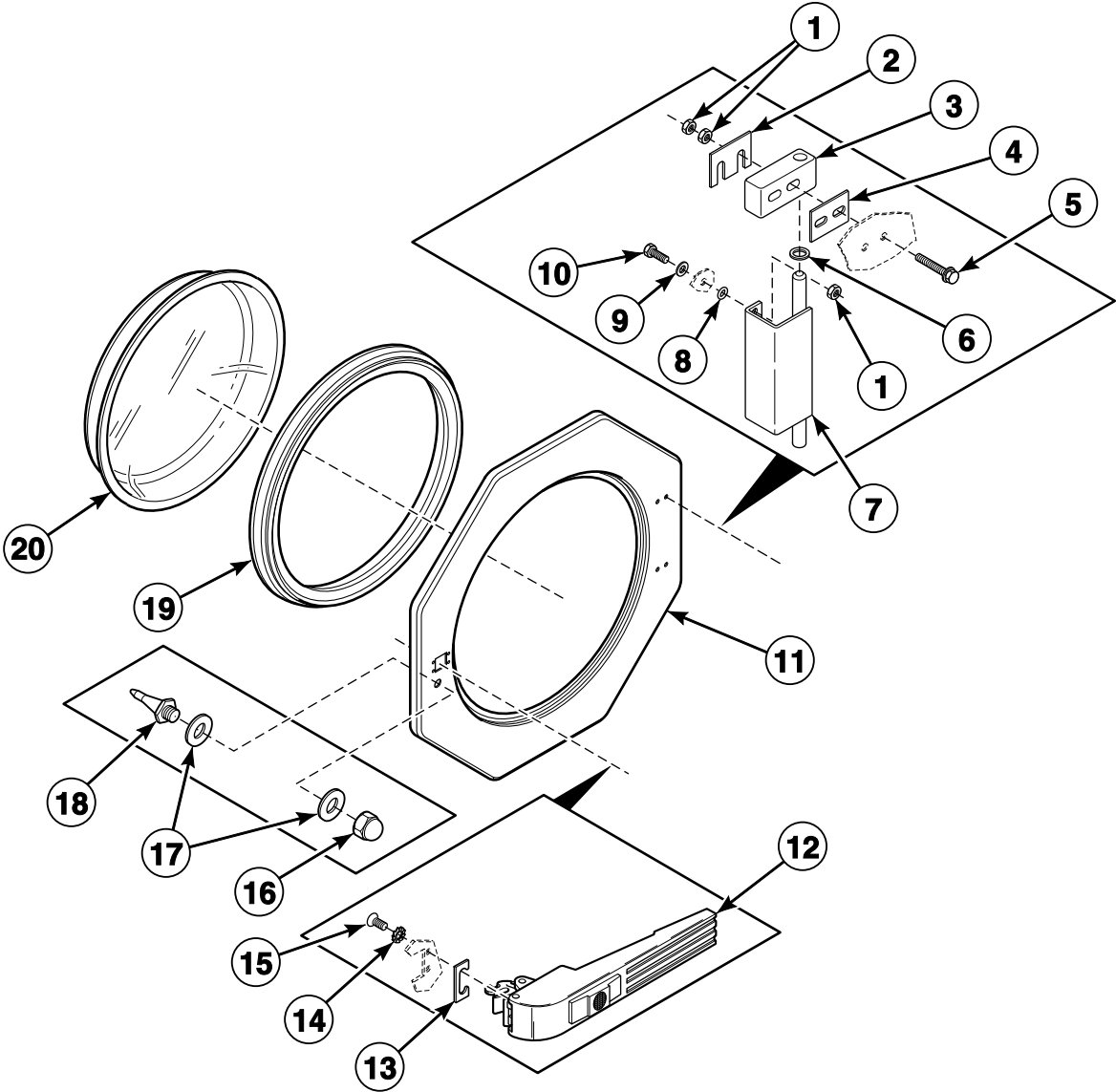


CFD543P_9001005

Door Lock

REF	PART NO.	DESCRIPTION	COMMENTS
	210/59001/00	Door Lock Harness	
1	B12517701	Door Lock Assembly	
2	207/00135/00	Screw	
3	201/00017/00	Washer	
4	217/00052/04	Interlock Lever	
5	224/00040/00	Lever Spring	
6	204/00009/00	Nut	
7	201/00006/00	Washer	
8	210/10015/00	Ground Terminal	
9	203/00007/00	Washer	
10	204/00008/00	Nut	
11	202/00101/00	Washer	
12	207/00112/00	Screw	
13	209/00272/00	Door Lock Microswitch	
14	207/00009/00	Screw	
15	201/00018/00	Washer	
16	211/00109/02	Door Lock Pin Kit	
17	207/00115/00	Screw	
18	B12625101	Microswitch	
19	217/00017/03	Lock Shaft	
20	C000184P	Door Lock Solenoid	
21	224/00049/00	Door Lock Spring	
22	217/00052/07	Door Release Wire	
23	224/00043/00	Interlock Coil Spring	
24	9001477	Door Lock Spacer	
25	202/00124/00	Washer	

Door - Design 6 Models

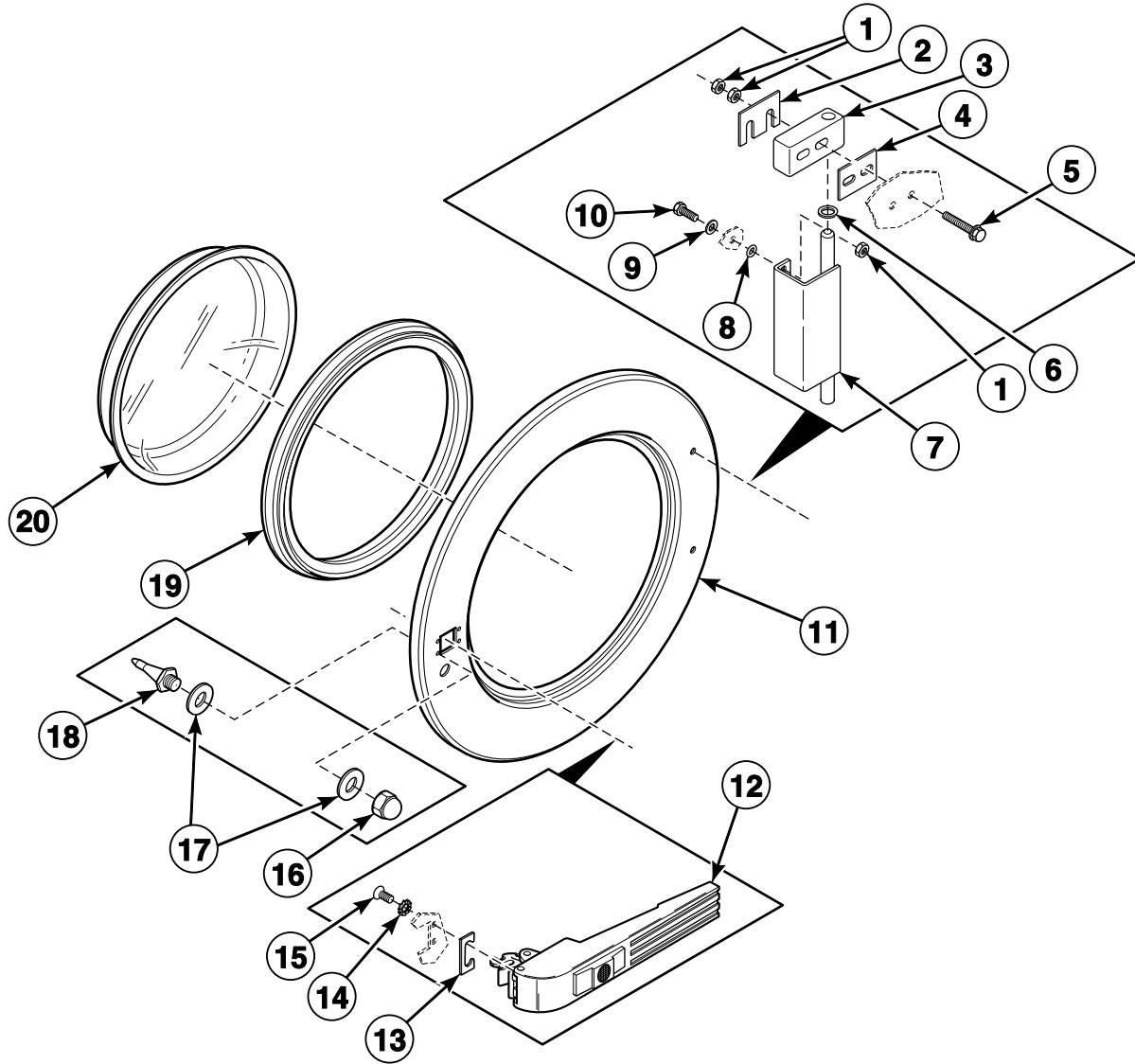


CFD34P_9001005

Door - Design 6 Models

REF	PART NO.	DESCRIPTION	COMMENTS
1	204/00106/00	Nut	
2	9001038	Door Hinge Plate Assembly	
3	253/00022/00	Door Hinge Block	
4	118/00124/00	Door Hinge Spacer	
5	207/00126/00	Screw	
6	202/00104/00	Washer	
7	221/00004/00	Hinge	
8	217/00021/00	O-Ring	
9	202/00101/00	Washer	
10	205/00104/00	Bolt	
11	131/00004/00	Door	
12	217/00055/00	Door Handle	
13	217/00016/00	Door Handle Stop	
14	203/00008/00	Washer	
15	207/00020/00	Screw	
16	204/00103/00	Nut	
17	202/00111/00	Washer	
18	211/00109/02	Door Lock Pin Kit	Includes door lock pin
19	223/00068/00	Door Glass Seal	
20	B12449801	Door Glass	

Door - Design 7 Models Through 9/30/07

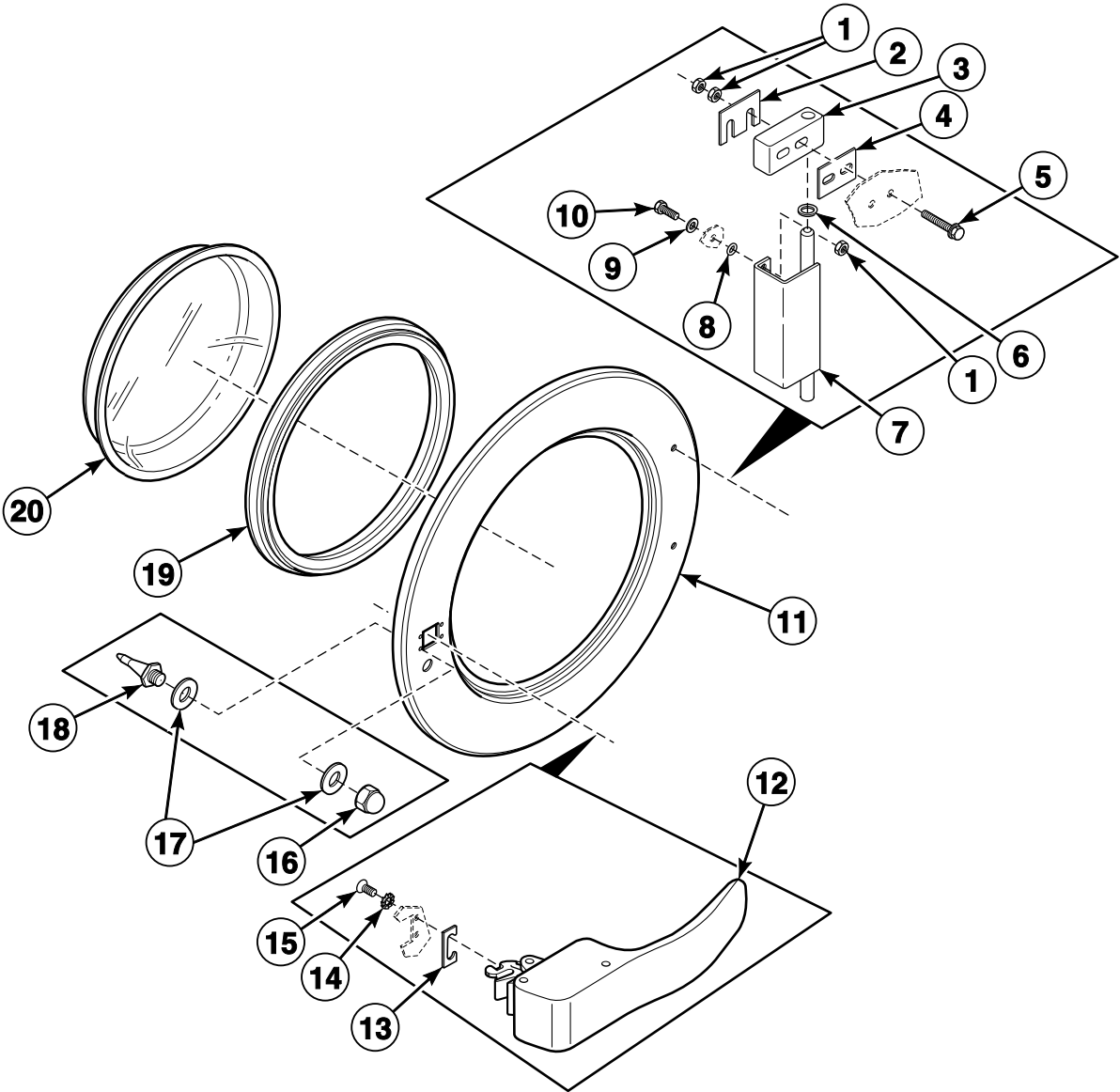


CFD207P_9001005

Door - Design 7 Models Through 9/30/07

REF	PART NO.	DESCRIPTION	COMMENTS
1	204/00106/00	Nut	
2	9001038	Door Hinge Plate Assembly	
3	253/00022/00	Door Hinge Block	
4	118/00124/00	Door Hinge Spacer	
5	207/00126/00	Screw	
6	202/00104/00	Washer	
7	221/00004/00	Hinge	
8	217/00021/00	O-Ring	
9	202/00101/00	Washer	
10	205/00104/00	Bolt	
11	118/00125/00	Door	
12	217/00055/00	Door Handle	
13	217/00016/00	Door Handle Stop	
14	203/00008/00	Washer	
15	207/00020/00	Screw	
16	204/00103/00	Nut	
17	202/00111/00	Washer	
18	211/00109/02	Door Lock Pin Kit	Includes door lock pin
19	223/00068/00	Door Glass Seal	
20	B12449801	Door Glass	

Door - Design 7 Models Starting 10/1/07



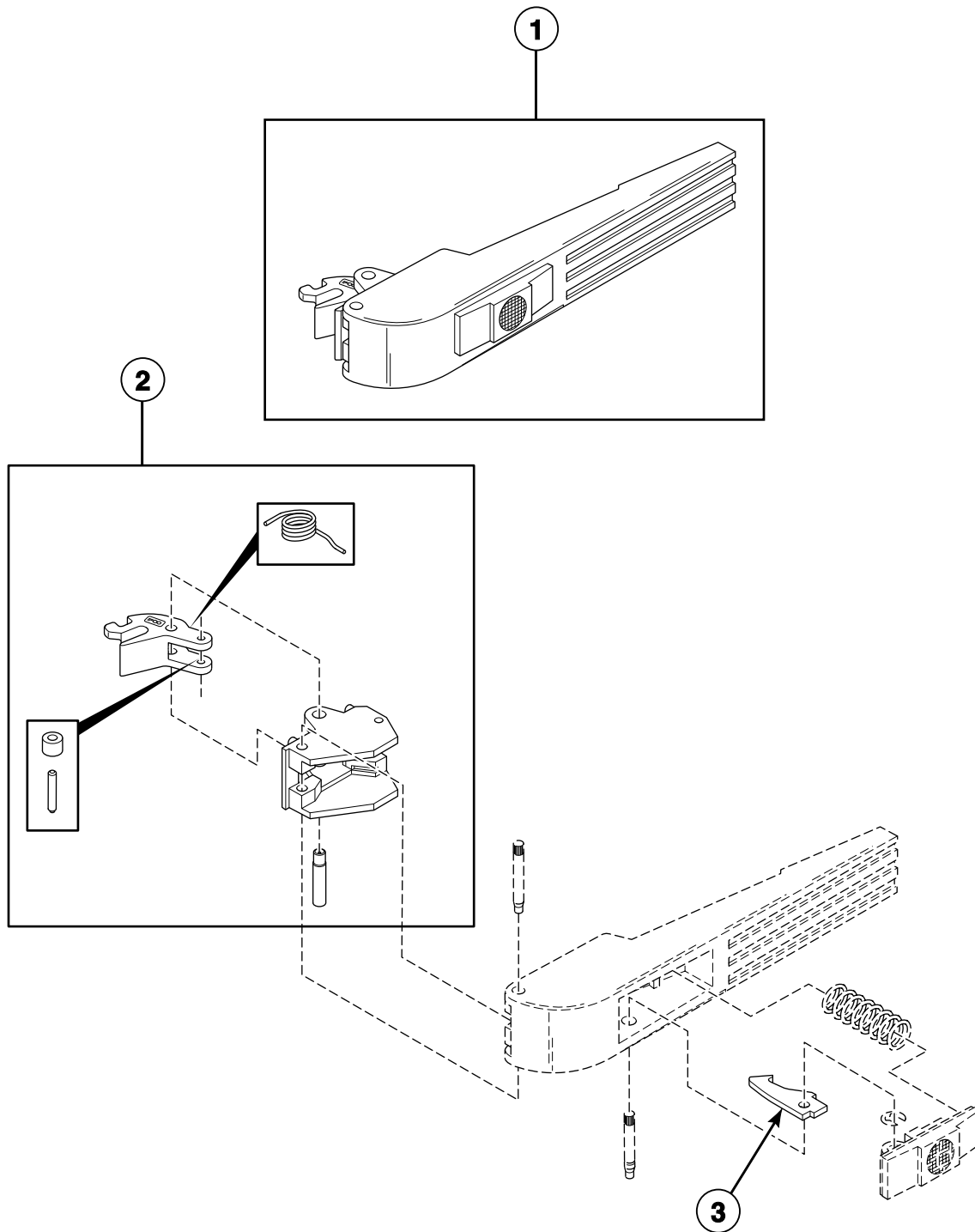
CFD263P_9001005

Door - Design 7 Models Starting 10/1/07

REF	PART NO.	DESCRIPTION	COMMENTS
1	204/00106/00	Nut	
2	9001038	Door Hinge Plate Assembly	
3	253/00022/00	Door Hinge Block	
4	118/00124/00	Door Hinge Spacer	
5	207/00126/00	Screw	
6	202/00104/00	Washer	
7	221/00004/00	Hinge	
8	217/00021/00	O-Ring	
9	202/00101/00	Washer	
10	205/00104/00	Bolt	
11	118/00125/00	Door	
12	217/00065/00	Door Handle	
13	217/00016/00	Door Handle Stop	
14	203/00008/00	Washer	
15	B12500801	Screw	
16	204/00103/00	Nut	
17	202/00111/00	Washer	
18	211/00109/02	Door Lock Pin Kit	Includes door lock pin
19	223/00068/00	Door Glass Seal	
20	B12449801	Door Glass	

Door Handle

Models Through 9/30/07

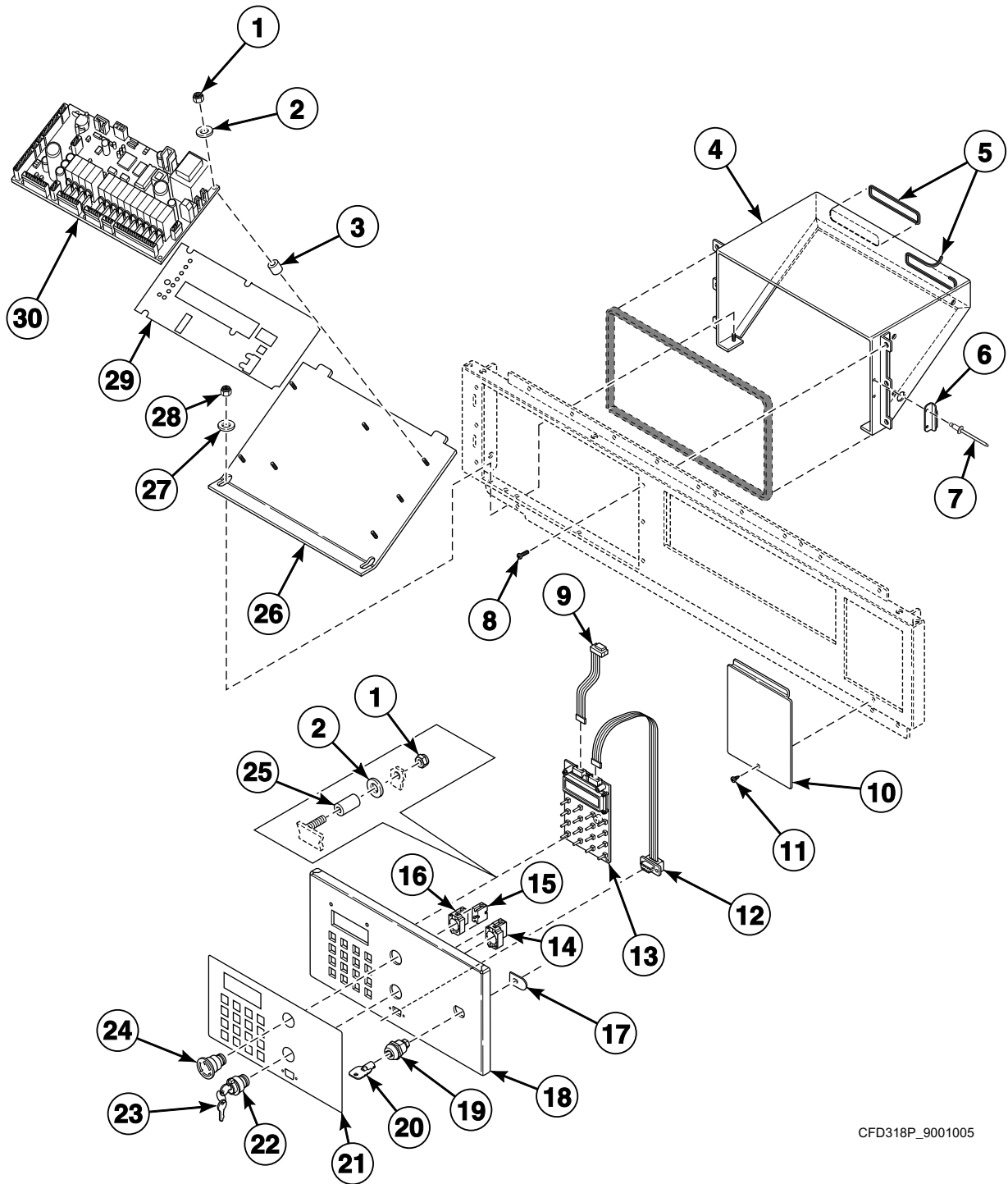


CFD10P_9001005

Door Handle

REF	PART NO.	DESCRIPTION	COMMENTS
1	217/00055/00	Door Handle	
2	9001474	Door Handle Latch	
3	217/00051/13	Door Handle Catch	

Control Panel - Models UX055PVXF7, UX55PVXF6 and UX55PVXF7

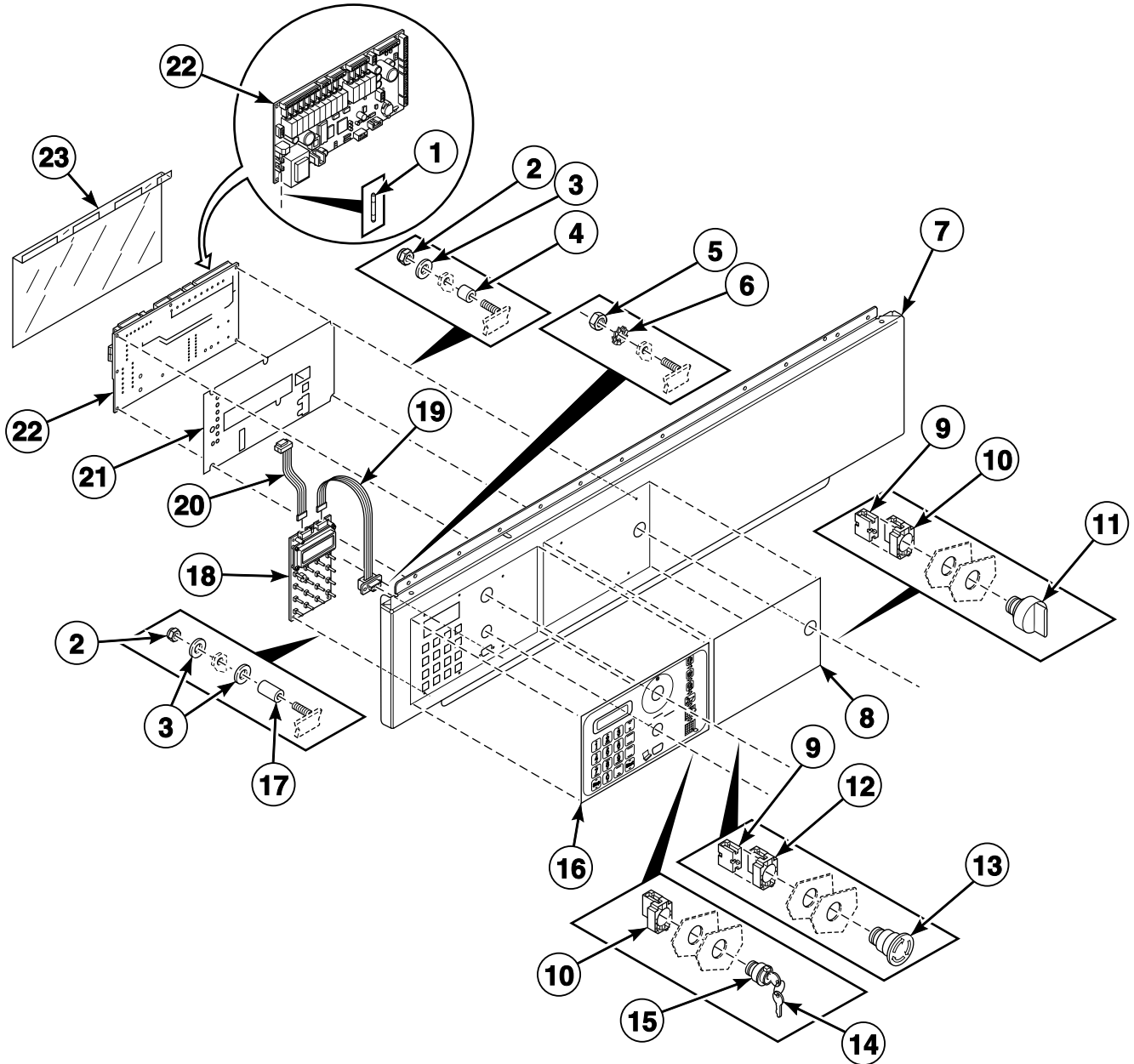


CFD318P_9001005

Control Panel - Models UX055PVXF7, UX55PVXF6 and UX55PVXF7

REF	PART NO.	DESCRIPTION	COMMENTS
1	204/00116/00	Nut	
2	223/00123/00	Washer	
3	211/00128/00	Printboard Separator	
4	F0637819-00	Control Module Wrap	
5	211/00143/00	Trim	
6	111/10310/03	Latch	
7	208/00017/00	Rivet	
8	201415	Screw	
9	B12388302	Ribbon Assembly	
10	F0637820-00	Balance Switch Access Cover	
11	F430956	Screw	
12	B12388303	Programming Cable	
13	209/00580/03	Display	
14	209/00099/25	Switch Base	
15	44018901	Contact Block	
16	44018701	Contact Block	
17	F606295	Lock Latch	
18	F0637813-00	Control Module Face	
19	F190802P	Lid Lock	
20	F160562	Key	
21	F9001561	Overlay	
22	209/00326/20	Programming Key Contact Switch	
23	209/00326/21	Programming Key	
24	44018801	Pushbutton	
25	211/00140/00	Spacer	
26	F0637821-00	Control Module Bottom Assembly	
27	F431017	Nut	
28	F431123	Washer	
29	229/00255/00	Insulating Sticker	
30	209/00580/00-AR	Main Control	Army cycles
	209/00580/00-MA	Main Control	Marine cycles

Control Panel - All Models Except UX055PVXF7, UX55PVXF6 and UX55PVXF7

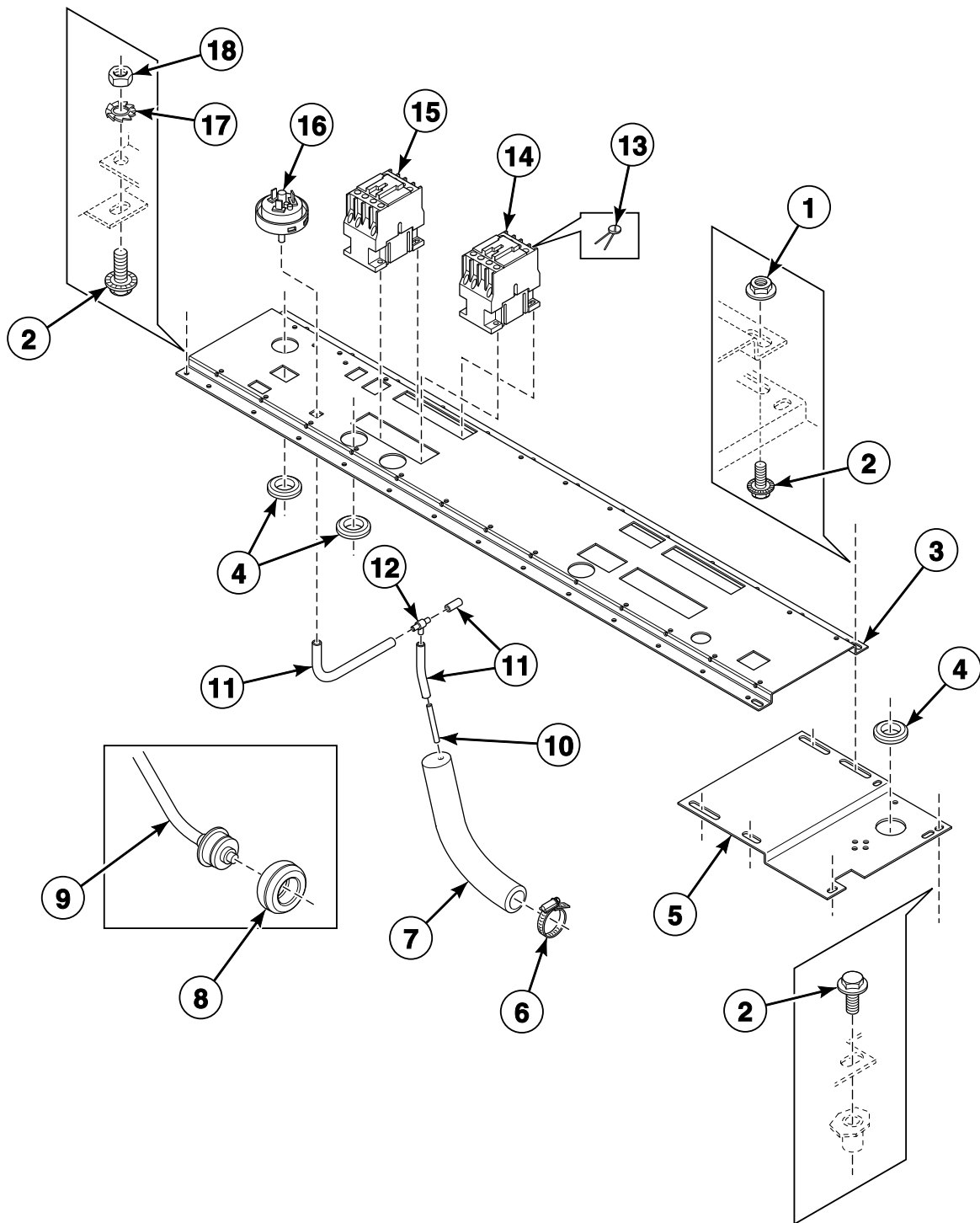


CFD189P_9001005

Control Panel - All Models Except UX055PVXF7, UX55PVXF6 and UX55PVXF7

REF	PART NO.	DESCRIPTION	COMMENTS
1	209/00372/01	Fuse	
2	204/00116/00	Nut	
3	223/00123/00	Washer	
4	211/00107/00	Spacer	
5	204/00008/00	Nut	
6	203/00007/00	Washer	
7	111/32728/00	Control Panel	55 pound models
	111/05016/00	Control Panel	75 pound models
8	F8435601	Overlay	UX models
	225/00392/00	Overlay	SX models
	9001890	Overlay	HX models
9	44018901	Contact Block	
10	209/00099/25	Switch Base	
11	209/00099/29	Switch Knob	Steam and electric heat
12	44018701	Contact Block	
13	44018801	Pushbutton	
14	209/00326/21	Programming Key	Key code 455
15	209/00326/20	Programming Key Contact Switch	
16	F9001561	Overlay	
17	211/00140/00	Spacer	
18	209/00580/03	Display	
19	B12388303	Programming Cable	
20	B12388302	Ribbon Assembly	
21	229/00255/00	Insulating Sticker	
22	209/00580/00	Main Control	
	210/01304/07	Soap Harness	Main control to soap board
23	229/00289/00	Circuit Board Cover	

Control Module Through February 2006 - 55 Pound Models

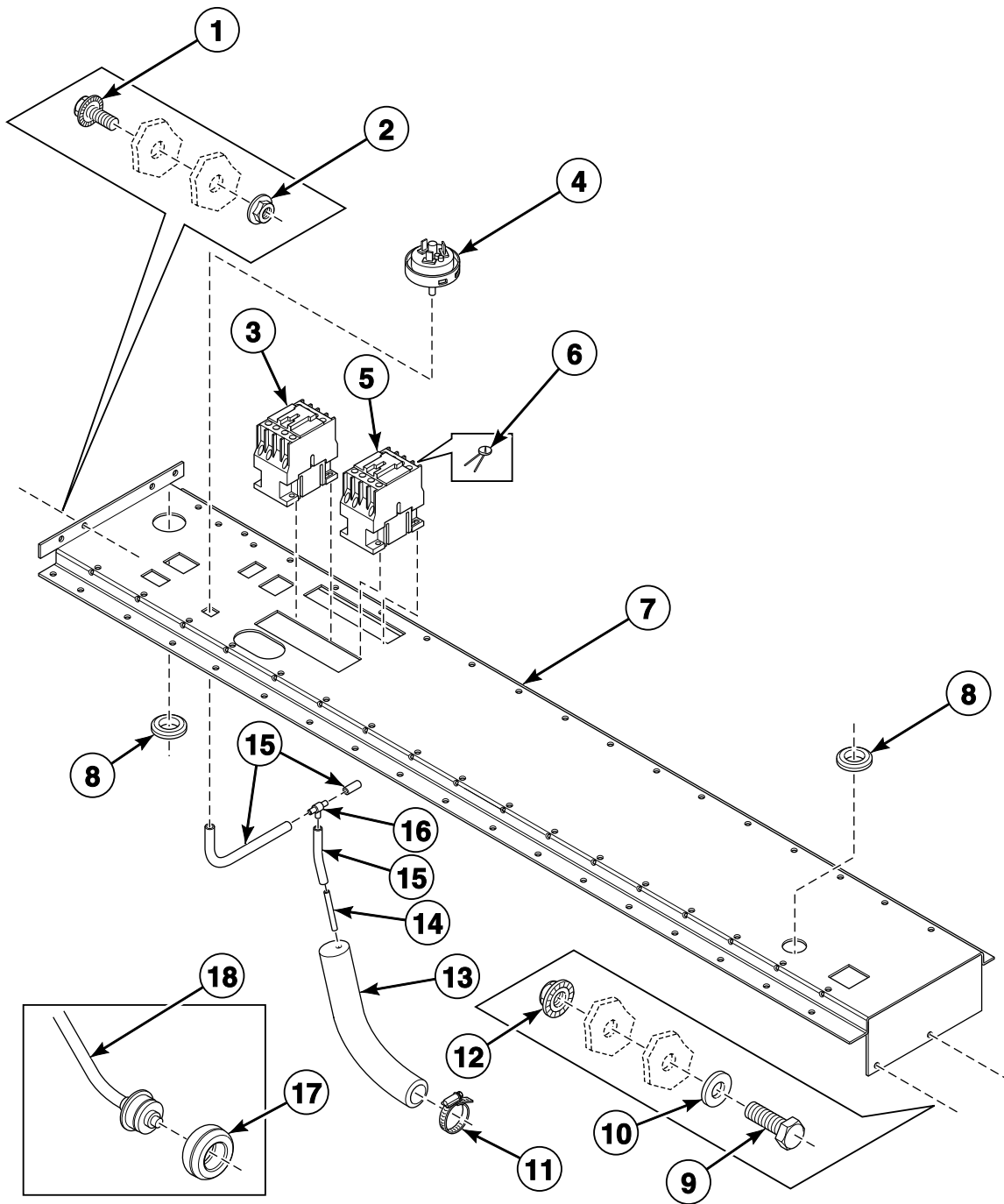


CFD75P_9001005

Control Module Through February 2006 - 55 Pound Models

REF	PART NO.	DESCRIPTION	COMMENTS
1	206/00101/00	Nut	
2	206/00099/00	Bolt	
3	111/00197/30	Electrical Components Plate	
4	223/00198/00	Grommet	
5	140/00021/00	Electrical Component Extension Plate	
6	223/00011/00	Hose Clamp	
7	223/00210/00	Elbow	Pressure Switch
8	225/10004/00	Thermostat Grommet	
9	210/01064/16	Thermostat	
10	223/00016/00	Hose Barb	
11	B12700018	Pressure Hose	
12	223/00173/10	Pressure Switch Hose Tee	
13	209/00356/00	Noise Suppressor	
14	209/06148/02	Heating Contactor	
15	209/00041/04	Contactor	
16	209/00007/50	Pressure Switch	
17	203/00004/00	Washer	
18	204/00005/00	Nut	

Control Module Through February 2006 - 75 Pound Models

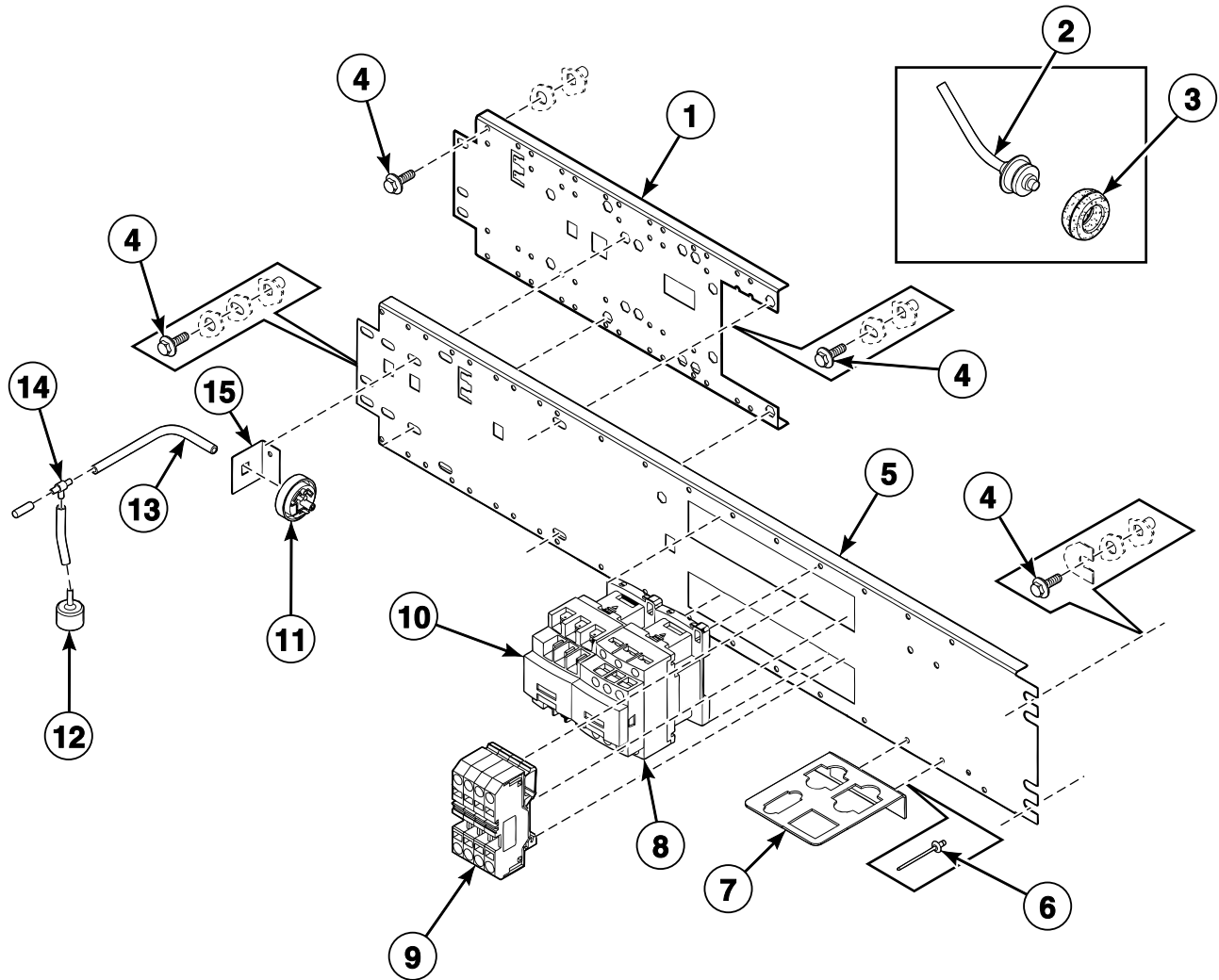


CFD77P_9001005

Control Module Through February 2006 - 75 Pound Models

REF	PART NO.	DESCRIPTION	COMMENTS
1	206/00099/00	Bolt	
2	206/00101/00	Nut	
3	209/00041/04	Contactactor	
4	209/00007/50	Pressure Switch	
5	209/06148/02	Heating Contactactor	
6	209/00356/00	Noise Suppressor	
7	111/01028/00	Electrical Components Plate	
8	223/00198/00	Grommet	
9	205/00107/00	Bolt	
10	202/00101/00	Washer	
11	223/00011/00	Hose Clamp	
12	140/10020/10	Electrical Components Plate	
13	223/00210/00	Elbow	Pressure Switch
14	223/00016/00	Hose Barb	
15	B12700018	Pressure Hose	
16	223/00173/10	Pressure Switch Hose Tee	
17	225/10004/00	Thermostat Grommet	
18	210/01304/16	Thermostat	

Control Module Starting March 2006

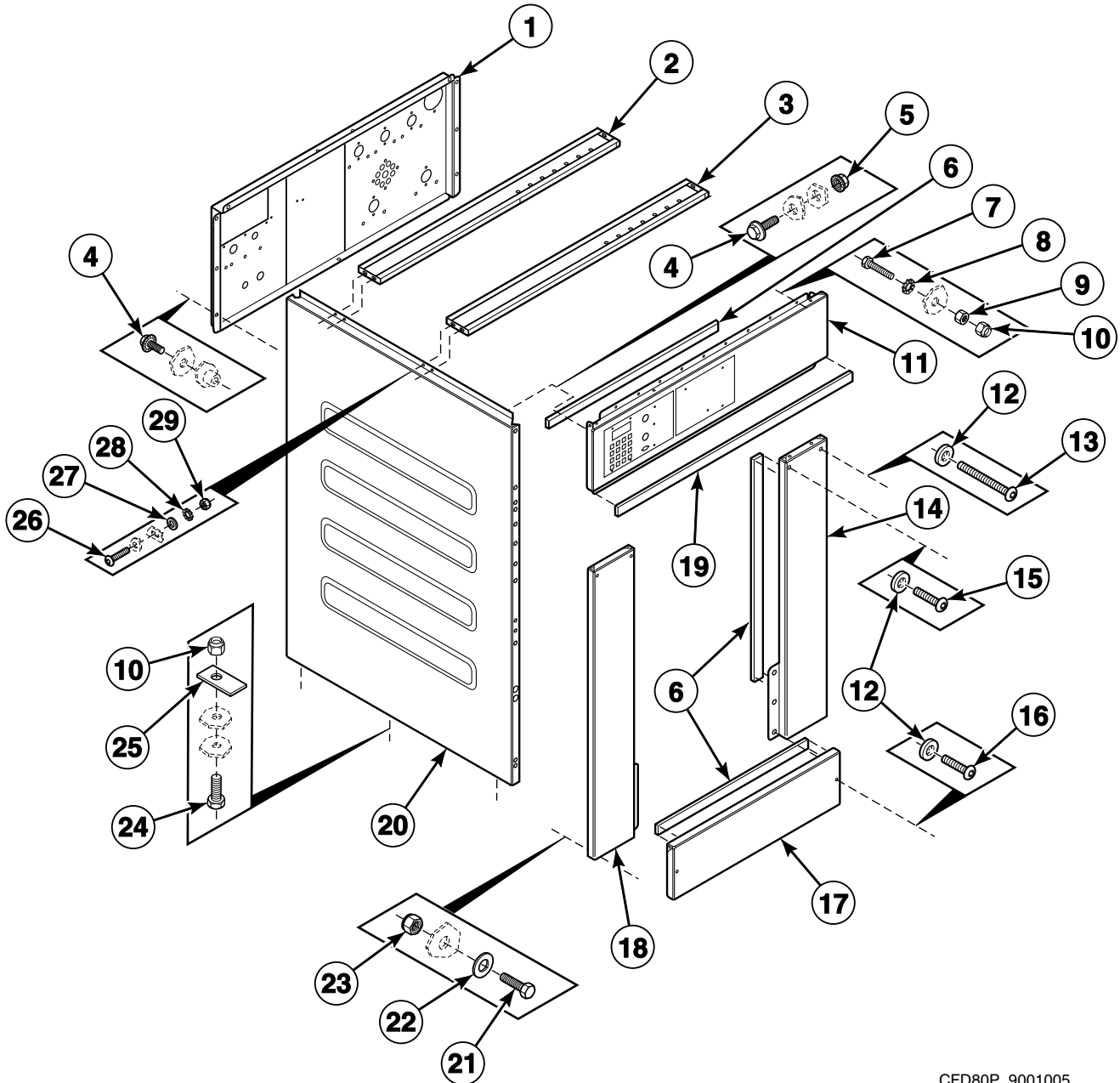


CFD198P_9001005

Control Module Starting March 2006

REF	PART NO.	DESCRIPTION	COMMENTS
1	111/10003/40	Electrical Component Mounting Plate	
2	210/01304/16	Thermostat	
3	225/10004/00	Thermostat Grommet	
4	206/00099/00	Bolt	
5	111/10004/00	Electrical Component Plate	Includes item 7
6	208/00007/00	Screw	
7	111/10003/10	Support Connector	
8	209/06148/02	Heating Contactor	
9	9002021	Overload Contactor	2006-1201
	9002022	Overload Contactor	2006-1204
	9002023	Overload Contactor	2006-1304
	9002024	Overload Contactor	2006-1301
	9002025	Overload Contactor	2010-1201
	9002026	Overload Contactor	2010-1204
	9002027	Overload Contactor	2010-1301
10	209/00041/04	Contactor	Heating
11	209/00007/50	Pressure Switch	Models through 7/8/08
	B12548601	Water Level Switch	Models starting 7/9/08
12	223/00035/02	Pressure Switch Cap	
13	B12700018	Pressure Hose	
14	223/00173/10	Pressure Switch Hose Tee	
15	111/10004/10	Electrical Component Plate	

Front, Left Side and Upper Back Panels - 55 Pound Models Except Models UX055PVXF7, UX55PVXF6 and UX55PVXF7

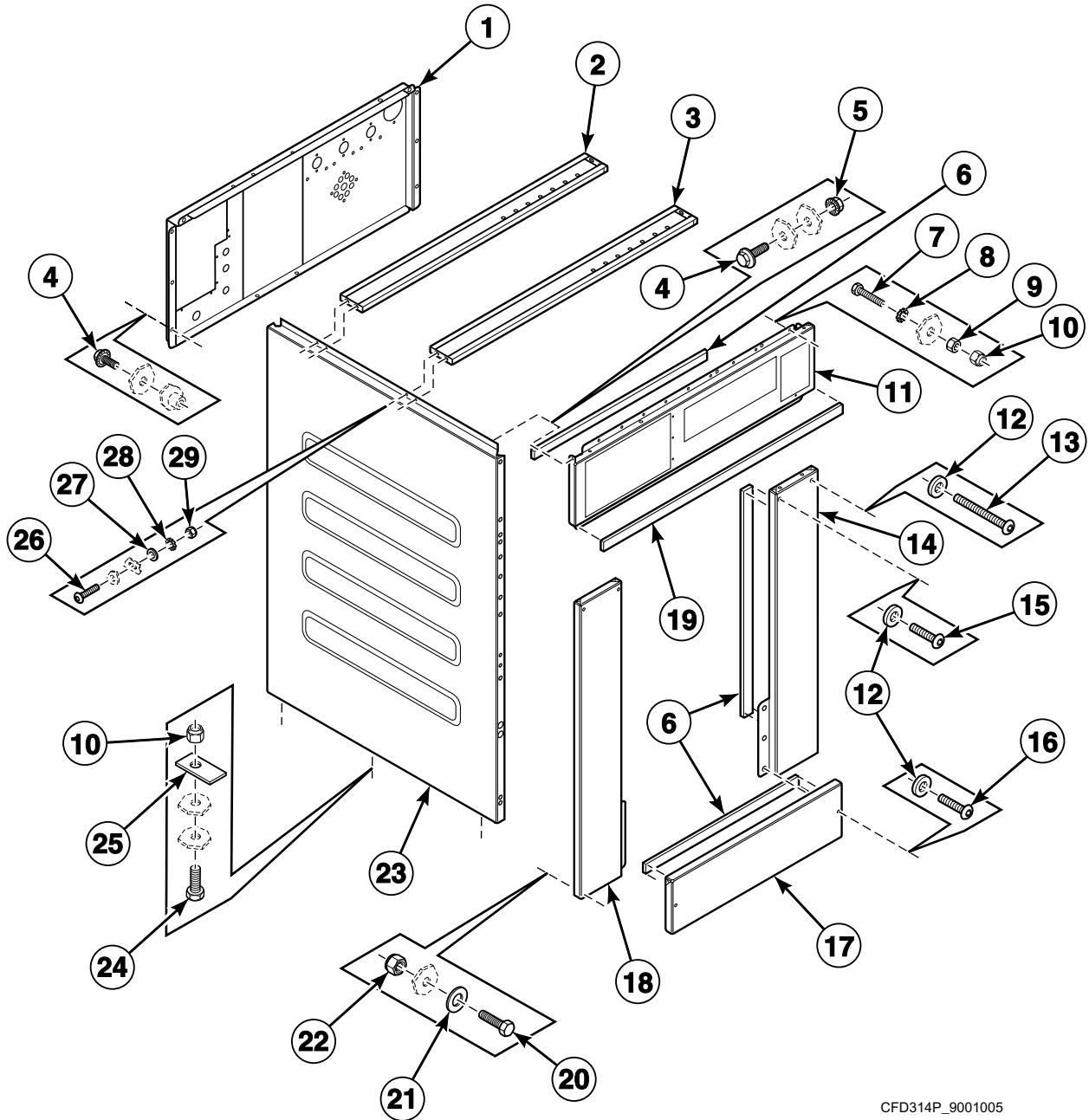


CFD80P_9001005

Front, Left Side and Upper Back Panels - 55 Pound Models Except Models UX055PVXF7, UX55PVXF6 and UX55PVXF7

REF	PART NO.	DESCRIPTION	COMMENTS
1	111/01158/90	Backbridge	
2	111/10102/00	Dispenser Rear Mounting Plate	
3	111/10101/00	Dispenser Front Mounting Plate	
4	206/00099/00	Bolt	
5	206/00101/00	Nut	
6	246/00149/00	Gasket	
7	205/00103/00	Bolt	
8	203/00004/00	Washer	
9	204/00106/00	Nut	
10	204/00009/00	Nut	
11	111/32728/00	Control Panel	
12	202/00110/00	Washer	
13	208/00121/00	Screw	
14	111/32957/50	Right Front Panel	
15	208/00125/00	Screw	
16	207/00101/00	Screw	
17	111/32943/00	Kickplate	
18	111/32951/50	Left Front Panel	
19	F0637762-00	Finger Guard Extension Assembly	
20	140/00007/60	Side Panel	
21	206/00042/00	Bolt	
22	201/00010/00	Washer	
23	204/00109/00	Nut	
24	205/00105/00	Bolt	
25	101/00007/00	Outlet Pipe Plate Assembly	
26	207/00032/00	Screw	
27	202/00004/00	Washer	
28	203/00006/00	Washer	
29	204/00007/00	Nut	

Front, Left Side and Upper Back Panels - Models UX055PVXF7, UX55PVXF6 and UX55PVXF7

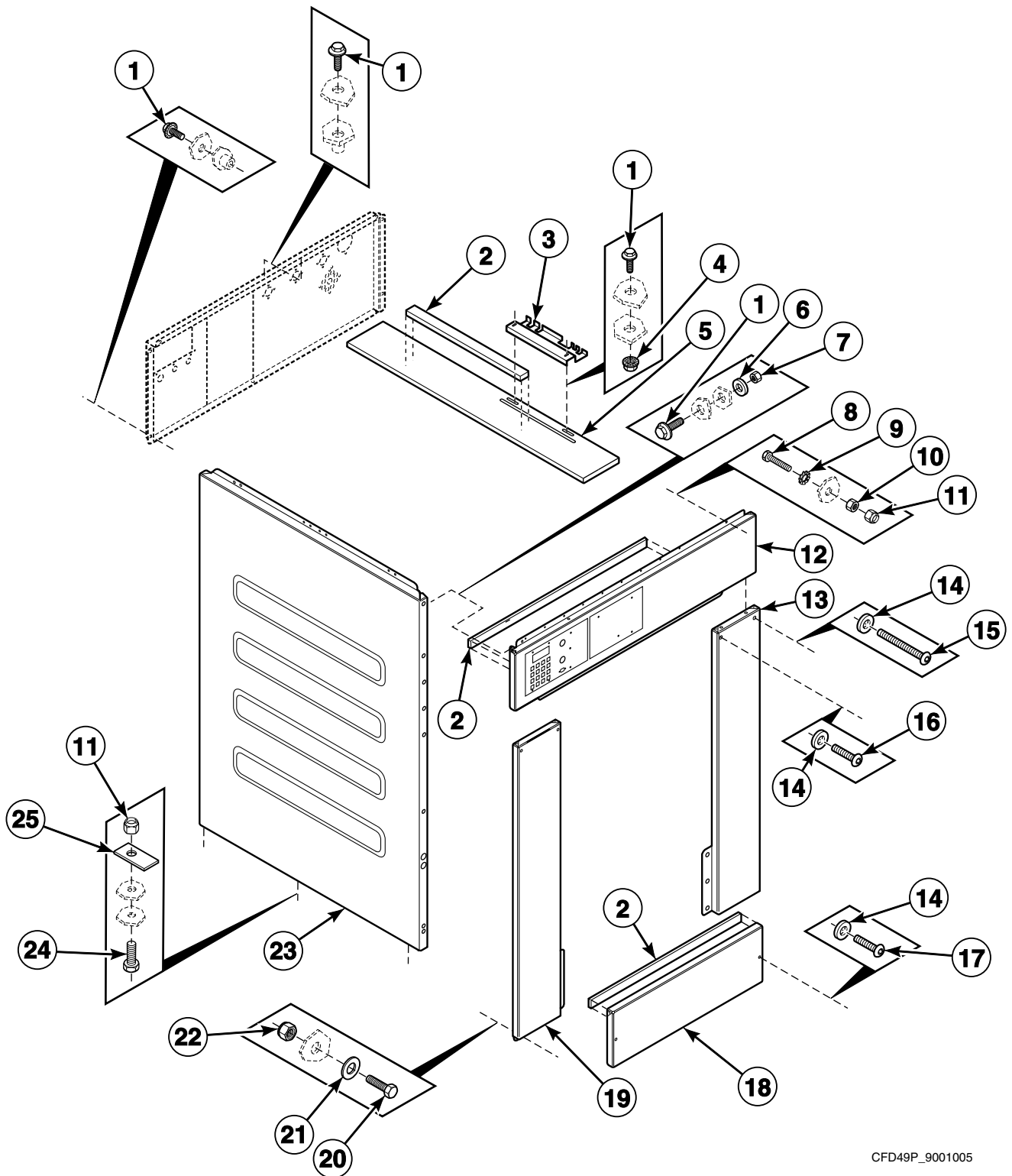


CFD314P_9001005

Front, Left Side and Upper Back Panels - Models UX055PVXF7, UX55PVXF6 and UX55PVXF7

REF	PART NO.	DESCRIPTION	COMMENTS
1	111/10303/00	Backbridge	
2	111/10102/00	Dispenser Rear Mounting Plate	
3	111/10101/00	Dispenser Front Mounting Plate	
4	206/00099/00	Bolt	
5	206/00101/00	Nut	
6	246/00149/00	Gasket	
7	205/00103/00	Bolt	
8	203/00004/00	Washer	
9	204/00106/00	Nut	
10	204/00009/00	Nut	
11	111/10302/00	Control Panel	
12	202/00110/00	Washer	
13	208/00121/00	Screw	
14	111/32957/50	Right Front Panel	
15	208/00125/00	Screw	
16	207/00101/00	Screw	
17	111/32943/00	Kickplate	
18	111/32951/50	Left Front Panel	
19	F0637762-00	Finger Guard Extension Assembly	
20	206/00042/00	Bolt	
21	201/00010/00	Washer	
22	204/00109/00	Nut	
23	140/00007/60	Side Panel	
24	205/00105/00	Bolt	
25	101/00007/00	Outlet Pipe Plate Assembly	
26	207/00032/00	Screw	
27	202/00004/00	Washer	
28	203/00006/00	Washer	
29	204/00007/00	Nut	

Front, Left Side and Upper Back Panels - 75 Pound Models Through 9/30/08

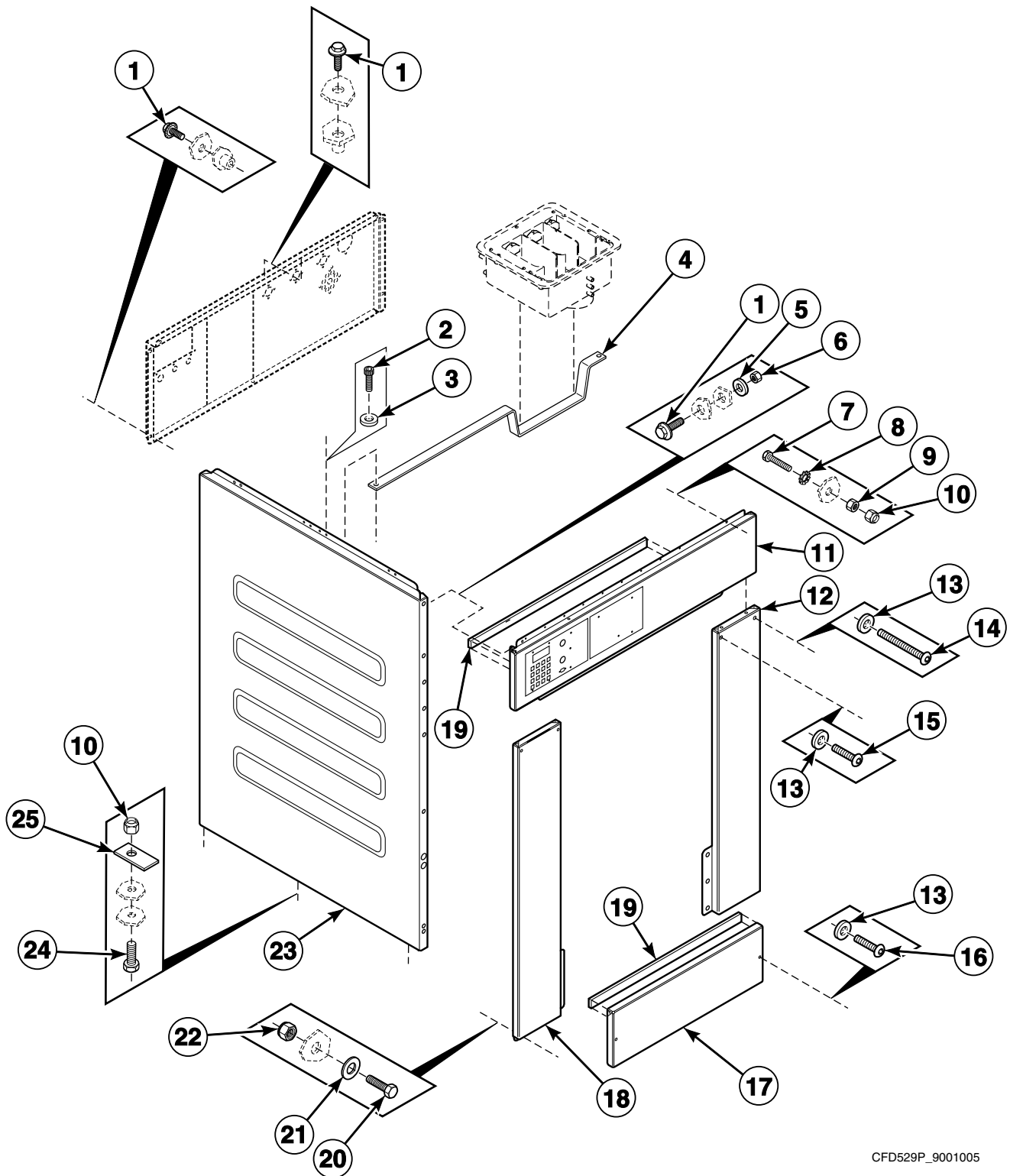


CFD49P_9001005

Front, Left Side and Upper Back Panels - 75 Pound Models Through 9/30/08

REF	PART NO.	DESCRIPTION	COMMENTS
1	206/00099/00	Bolt	
2	246/00149/00	Gasket	
3	111/00117/00	Soap Box Support Plate	
4	206/00101/00	Nut	
5	111/00207/00	Dispenser Mounting Plate	
6	201/00006/00	Washer	
7	204/00005/00	Nut	
8	205/00103/00	Bolt	
9	203/00004/00	Washer	
10	204/00106/00	Nut	
11	204/00009/00	Nut	
12	111/05016/00	Control Panel	
13	111/32960/50	Right Front Panel	
14	202/00110/00	Washer	
15	208/00121/00	Screw	
16	208/00125/00	Screw	
17	207/00101/00	Screw	
18	111/32943/00	Kickplate	
19	111/32948/50	Left Front Panel	
20	206/00042/00	Bolt	
21	201/00010/00	Washer	
22	204/00109/00	Nut	
23	133/00126/60	Side Panel	
24	205/00105/00	Bolt	
25	101/00007/00	Outlet Pipe Plate Assembly	

Front, Left Side and Upper Back Panels - 75 Pound Models Starting 10/1/08 Through 11/13/11

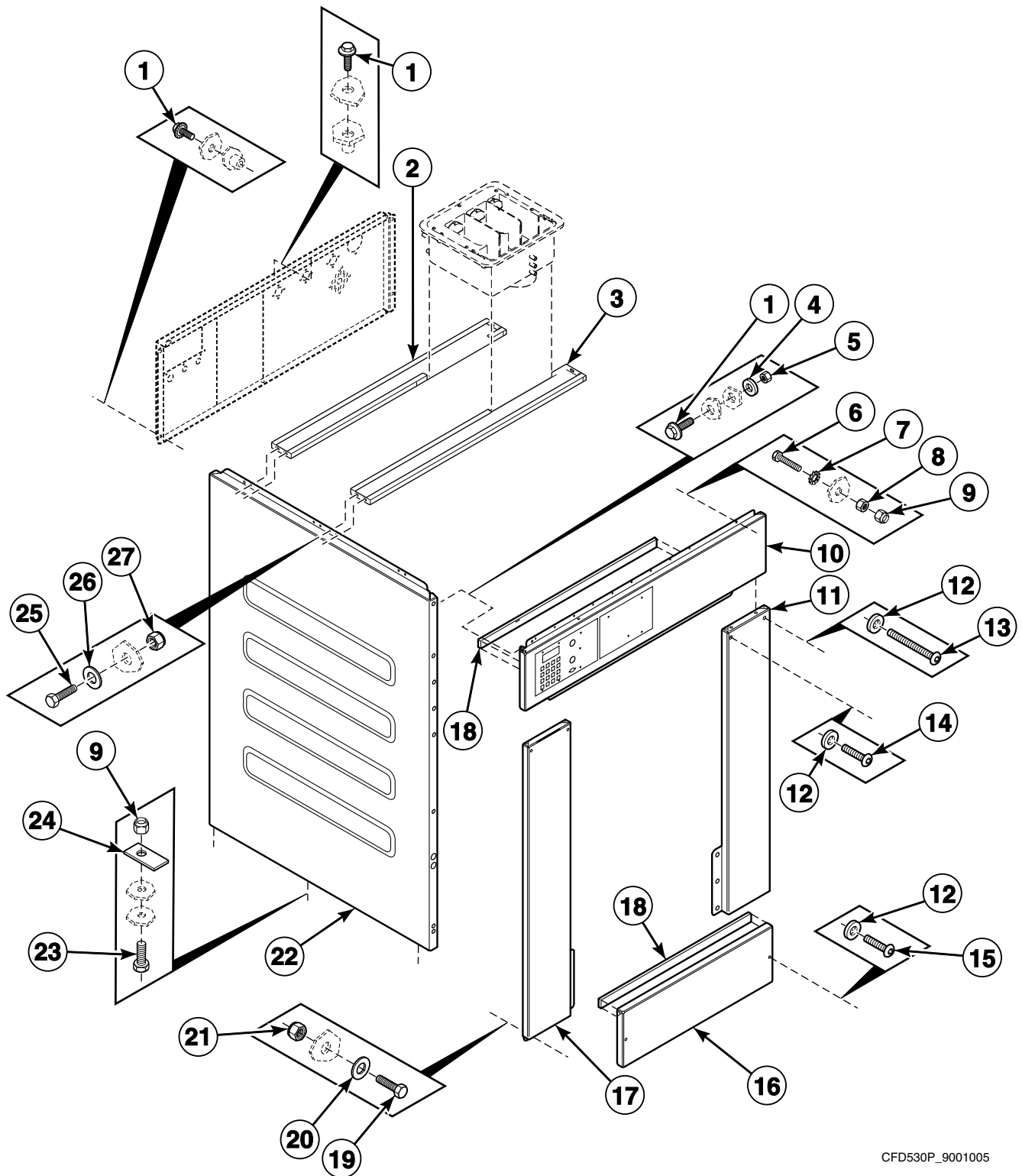


CFD529P_9001005

Front, Left Side and Upper Back Panels - 75 Pound Models Starting 10/1/08 Through 11/13/11

REF	PART NO.	DESCRIPTION	COMMENTS
1	206/00099/00	Bolt	
2	206/00166/00	Screw	
3	B12421401	Washer	
4	111/00207/11	Support Bracket	
5	201/00006/00	Washer	
6	204/00005/00	Nut	
7	205/00103/00	Bolt	
8	203/00004/00	Washer	
9	204/00106/00	Nut	
10	204/00009/00	Nut	
11	111/05016/00	Control Panel	
12	111/32960/50	Right Front Panel	
13	202/00110/00	Washer	
14	208/00121/00	Screw	
15	208/00125/00	Screw	
16	207/00101/00	Screw	
17	111/32943/00	Kickplate	
18	111/32948/50	Left Front Panel	
19	246/00149/00	Gasket	
20	206/00042/00	Bolt	
21	201/00010/00	Washer	
22	204/00109/00	Nut	
23	133/00126/60	Side Panel	
24	205/00105/00	Bolt	
25	101/00007/00	Outlet Pipe Plate Assembly	

Front, Left Side and Upper Back Panels - 75 Pound Models Starting 11/14/11

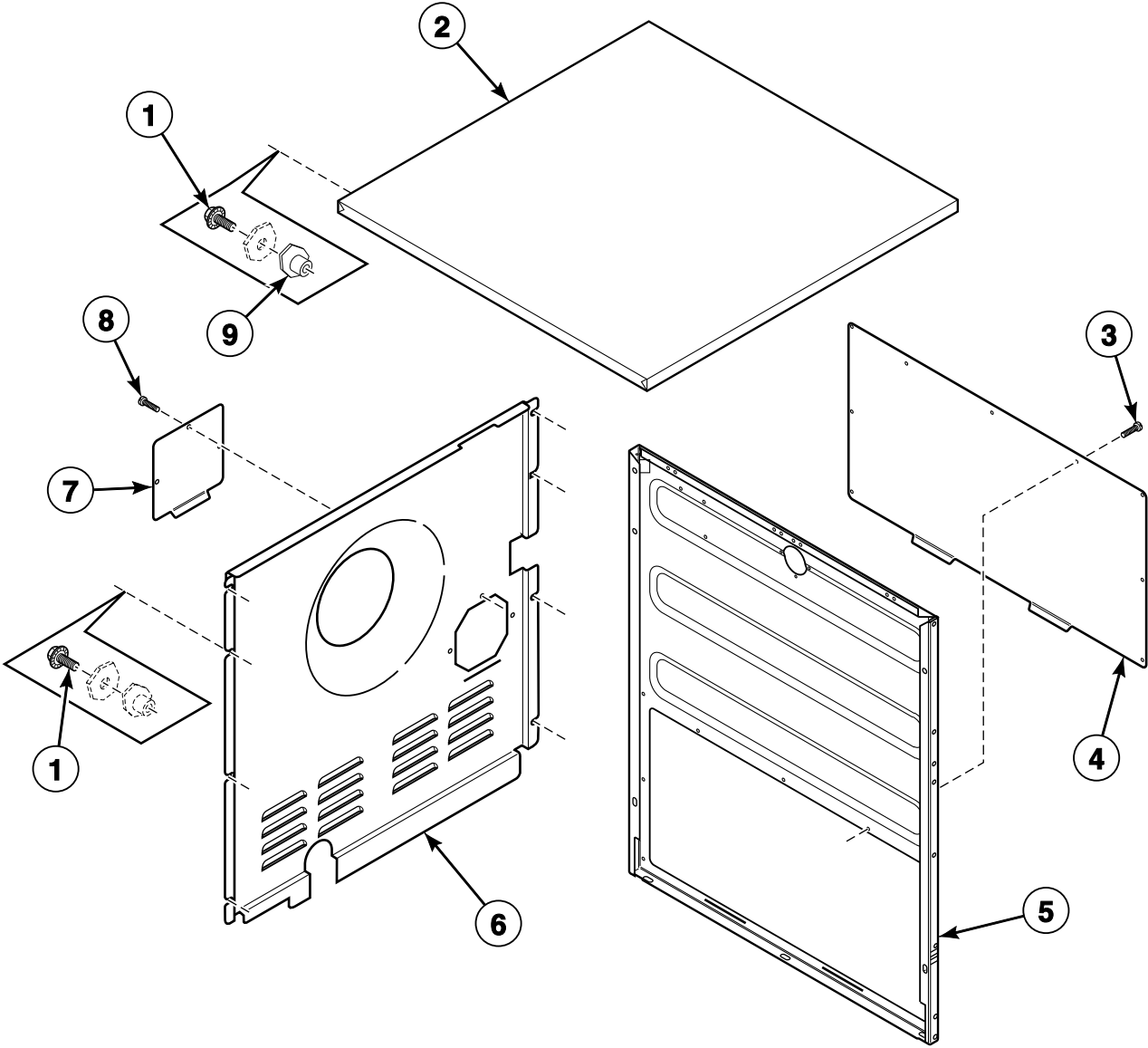


CFD530P_9001005

Front, Left Side and Upper Back Panels - 75 Pound Models Starting 11/14/11

REF	PART NO.	DESCRIPTION	COMMENTS
1	206/00099/00	Bolt	
2	B12456101	Support Bracket	Rear
3	B12456201	Support Bracket	Front
4	201/00006/00	Washer	
5	204/00005/00	Nut	
6	205/00103/00	Bolt	
7	203/00004/00	Washer	
8	204/00106/00	Nut	
9	204/00009/00	Nut	
10	111/05016/00	Control Panel	
11	111/32960/50	Right Front Panel	
12	202/00110/00	Washer	
13	208/00121/00	Screw	
14	208/00125/00	Screw	
15	207/00101/00	Screw	
16	111/32943/00	Kickplate	
17	111/32948/50	Left Front Panel	
18	246/00149/00	Gasket	
19	206/00042/00	Bolt	
20	201/00010/00	Washer	
21	204/00109/00	Nut	
22	133/00126/60	Side Panel	
23	205/00105/00	Bolt	
24	101/00007/00	Outlet Pipe Plate Assembly	
25	206/00027/00	Bolt	
26	202/00004/00	Washer	
27	204/00114/00	Nut	

Top, Right Side and Lower Back Panels - Models UX055PVXF7, UX55PVXF6 and UX55PVXF7

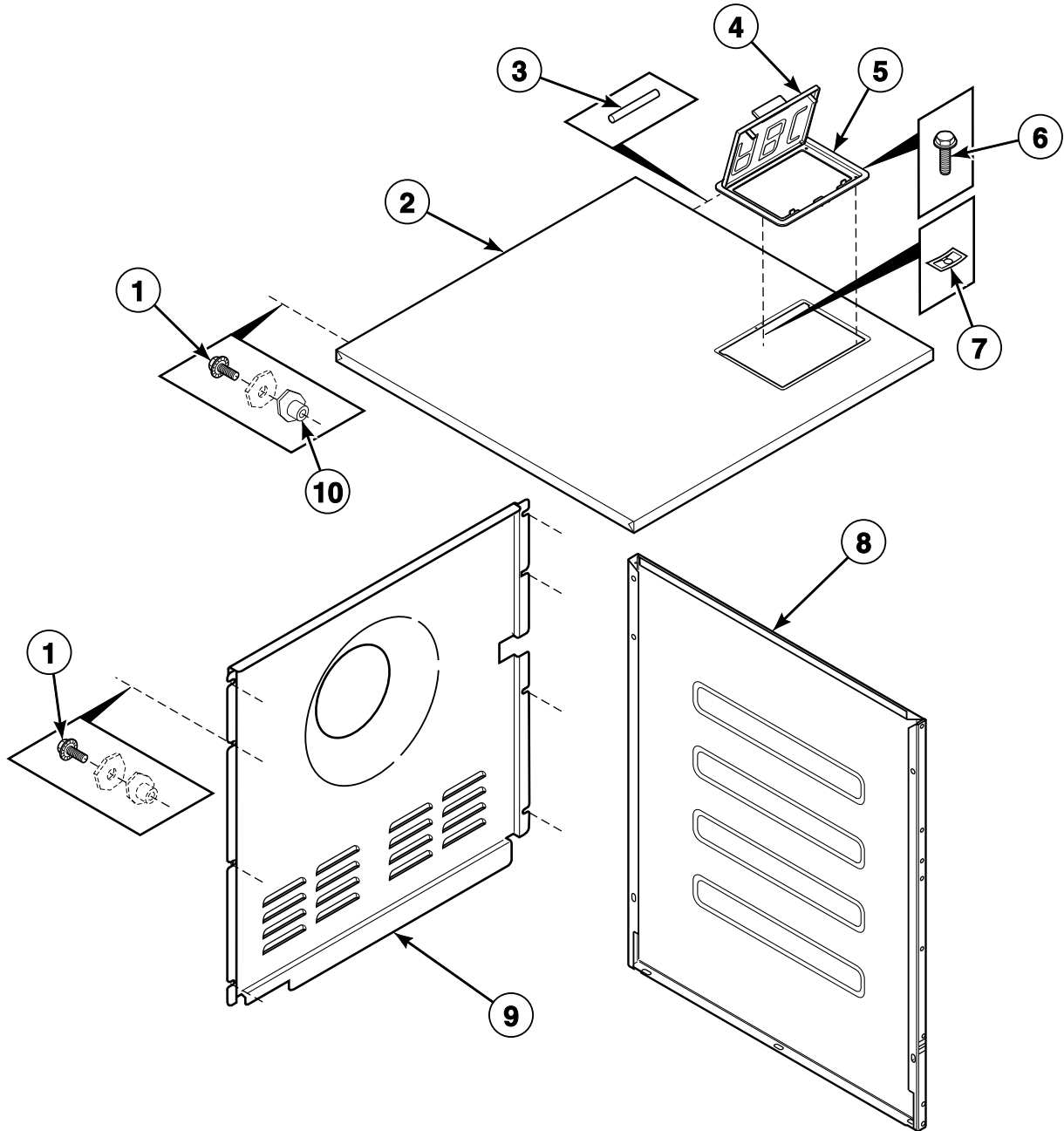


CFD315P_9001005

Top, Right Side and Lower Back Panels - Models UX055PVXF7, UX55PVXF6 and UX55PVXF7

REF	PART NO.	DESCRIPTION	COMMENTS
1	206/00099/00	Bolt	
2	111/10304/00	Top Panel	
3	206/00104/00	Screw	
4	111/10316/00	Side Panel Cover	
5	111/10301/00	Right Side Panel	
6	111/10308/00	Rear Panel	
7	111/10315/00	Cover	
8	206/00099/00	Bolt	

Top, Right Side and Lower Back Panels - All Models Except UX055PVXF7, UX55PVXF6 and UX55PVXF7

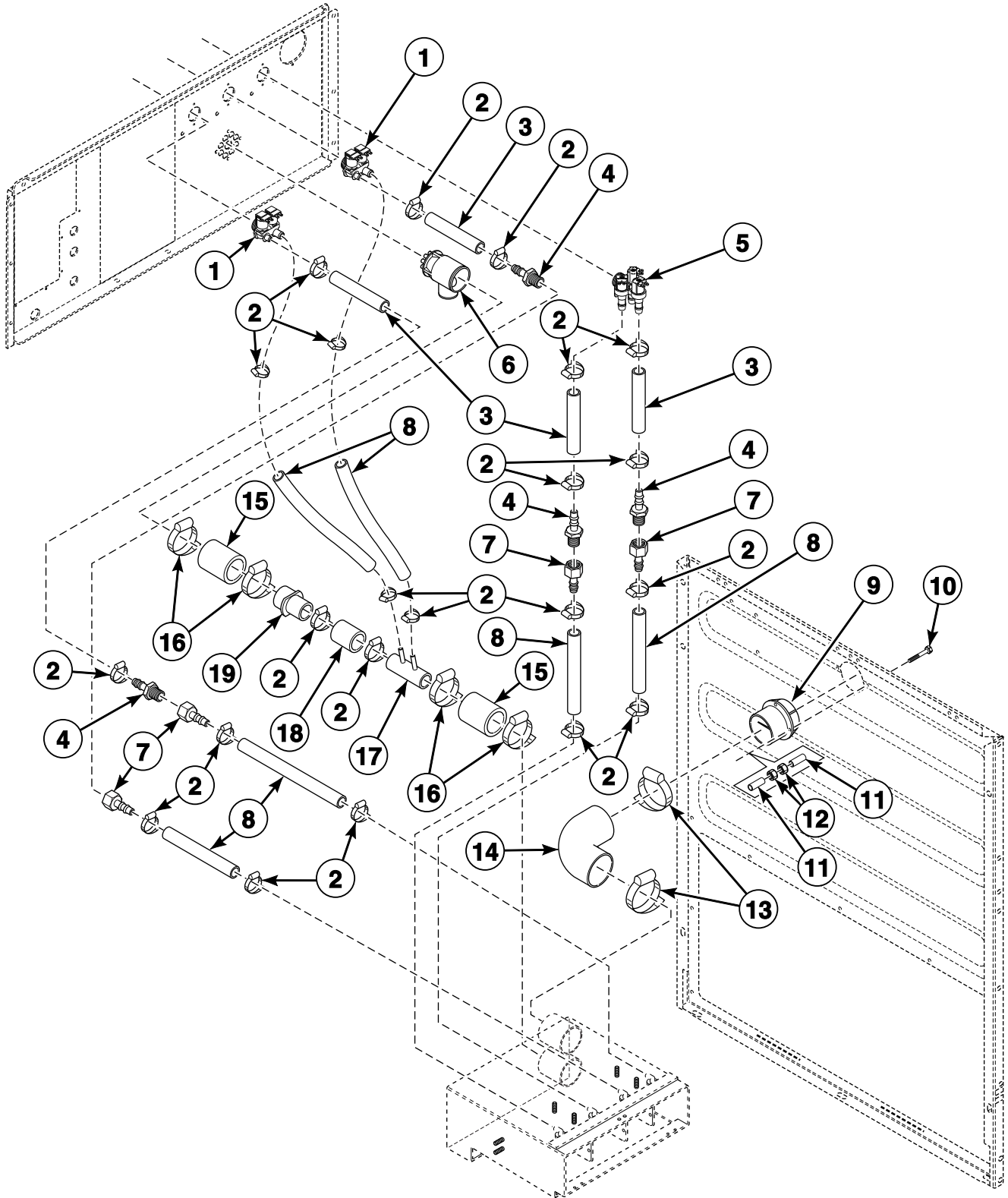


CFD40P_9001005

Top, Right Side and Lower Back Panels - All Models Except UX055PVXF7, UX55PVXF6 and UX55PVXF7

REF	PART NO.	DESCRIPTION	COMMENTS
1	206/00099/00	Bolt	
2	140/00045/01	Top Panel	55 pound models
	111/05013/00	Top Panel	75 pound models
3	223/00103/04	Soap Dispenser Cover Hinge Rod	2 required
4	223/00103/01	Soap Dispenser Cover	
5	223/00103/03	Soap Dispenser Frame	
6	207/00131/00	Bolt	
7	208/00104/00	Nut	
8	140/00007/60	Side Panel	55 pound models
	133/00126/60	Side Panel	75 pound models
9	111/00127/10	Rear Panel	55 pound models
	111/00126/10	Rear Panel	75 pound models
10	204/00301/00	Bushing	

Fill Plumbing - Models UX055PVXF7, UX55PVXF6 and UX55PVXF7

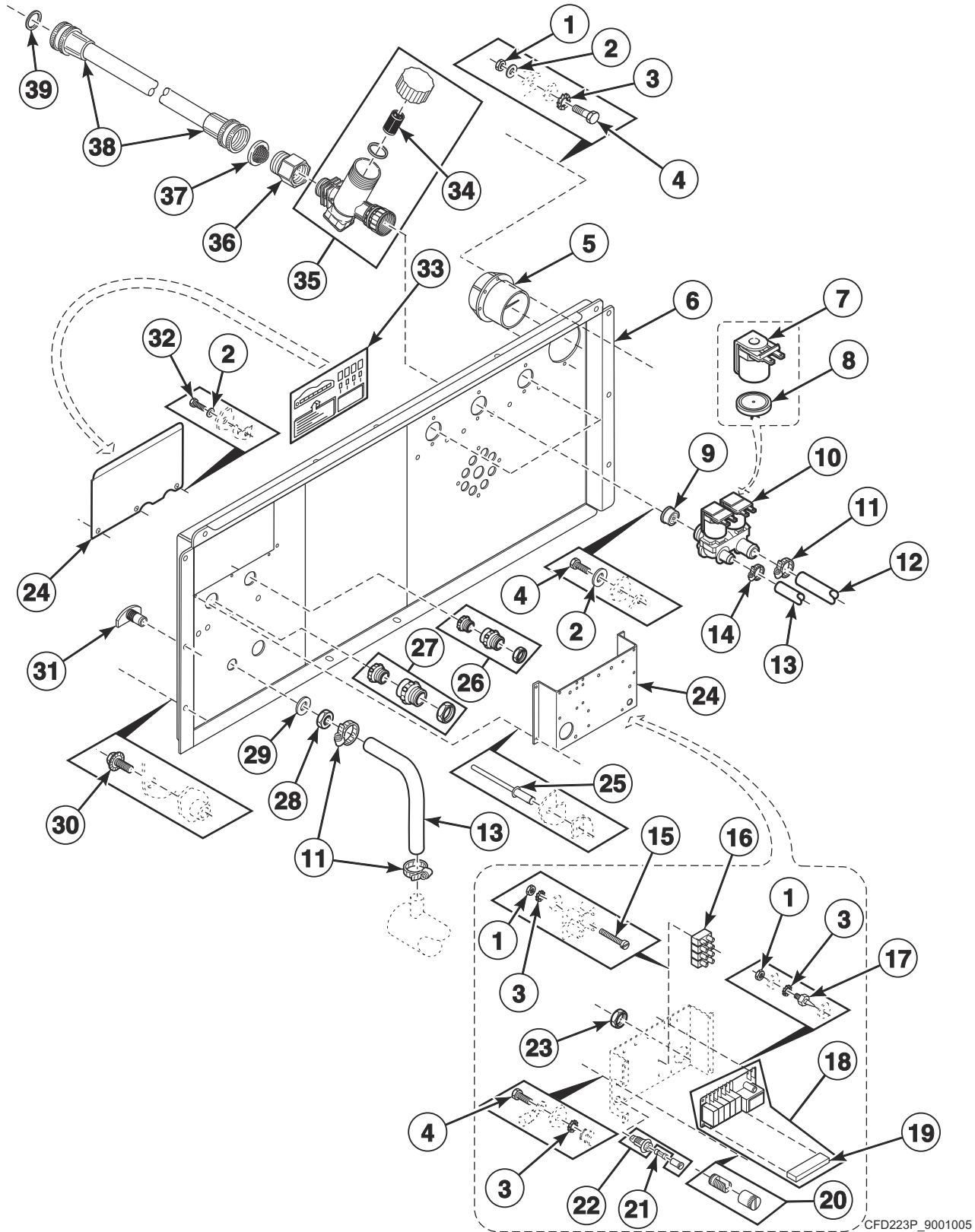


CFD319P_9001005

Fill Plumbing - Models UX055PVXF7, UX55PVXF6 and UX55PVXF7

REF	PART NO.	DESCRIPTION	COMMENTS
	G582P3	Diaphragm and Guide Kit	Use with F0381737-00P 3-Way Valve
1	209/00419/00	2-Way Inlet Valve	Used with F380939 Valve Repair Kit
	223/00367/00	Flow Restrictor	
2	223/00009/00	Clamp	
3	223/00044/00	Water Hose	
4	223/00360/60	Coupling	
5	F0381737-00P	3-Way Valve	
	F380119	Flow Restrictor	
6	223/00249/00	Liquid Soap Manifold	
7	223/00360/50	Coupling	
8	223/00360/00	Hose	
9	223/00102/07	Hose Vent	
10	107/00136/00	Screw	
11	211/00147/00	Standoff	
12	204/00114/00	Nut	
13	223/00014/00	Hose Clamp	
14	223/00359/00	Hose	
15	223/00059/00	Water Hose	
16	223/00010/00	Hose Clamp	
17	F0638025-00	Fill Inlet Tube	
18	F200107P	Water Hose	
19	F130315	Bushing	

Fill Plumbing - All Models Except UX055PVXF7, UX55PVXF6 and UX55PVXF7



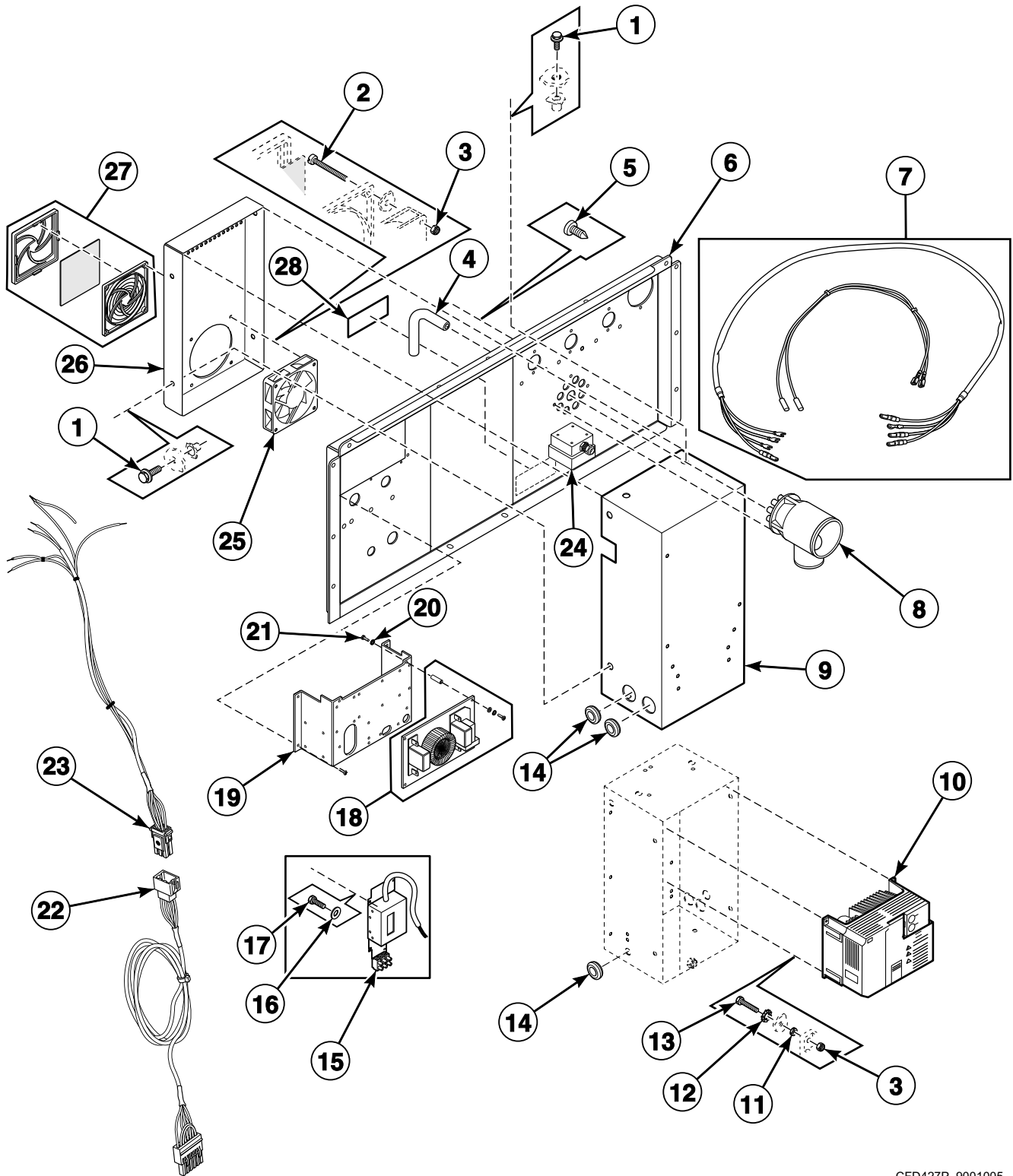
CFD223P_9001005

Fill Plumbing - All Models Except UX055PVXF7, UX55PVXF6 and UX55PVXF7

REF	PART NO.	DESCRIPTION	COMMENTS
1	204/00007/00	Nut	
2	202/00004/00	Washer	
3	203/00006/00	Washer	
4	206/00027/00	Bolt	
5	223/00102/07	Hose Vent	
6	111/01158/90	Backbridge	55 pound models; Models through Serial No. 0605755252
	N/A	Backbridge	75 pound models; Models through Serial No. 0605775058
7	209/00090/01	Inlet Valve Solenoid	
8	209/00316/02	Diaphragm	
9	F200052400	Inlet Valve Restrictor	Cold water valve
	223/00390/00	Flow Restrictor	Hot water valve
10	209/00419/00	2-Way Inlet Valve	Standard thread; 3 required; Used with F380939 Valve Repair Kit
	209/00316/00	2-Way Inlet Valve	Metric thread; 3 required; Used with F380939 Valve Repair Kit
11	223/00011/00	Hose Clamp	
12	223/00059/00	Water Hose	
13	223/00044/00	Water Hose	
14	F200205	Hose Clamp	No. 10
15	9001329	Screw	
16	209/00058/00	Terminal Block	
17	211/00120/00	Standoff	
18	209/00218/13	Soap Injection PCB with Fuse	Includes item 19
19	209/00996/00	Connector	
20	209/00006/01	Ground Terminal	
21	209/00468/00	Fuse	
22	209/00202/01	Fuse Holder	
23	223/00198/00	Grommet	
24	111/00094/10	Electrical Connection Plate	
25	208/00017/00	Rivet	
26	211/00123/00	Cordlock	PE16
27	211/00138/00	Cordlock	PG21
28	204/00201/00	Nut	
29	201/00002/00	Washer	
30	206/00099/00	Bolt	
31	223/00001/04	Prewash and Mainwash Nozzle	
32	205/00113/00	Bolt	
33	9001594	Electrical Connection Sticker	
34	209/00385/01	Filter	
35	209/00385/00	Filter	
36	223/00050/01	Water Valve Adapter	Converts from metric to standard thread
37	803615	Washer	
38	F200164	Water Hose	Standard thread
	F200166	Water Hose	Metric thread
39	20290	Washer	

N/A = Part no longer available

Upper Back Panel - 55 Pound Models



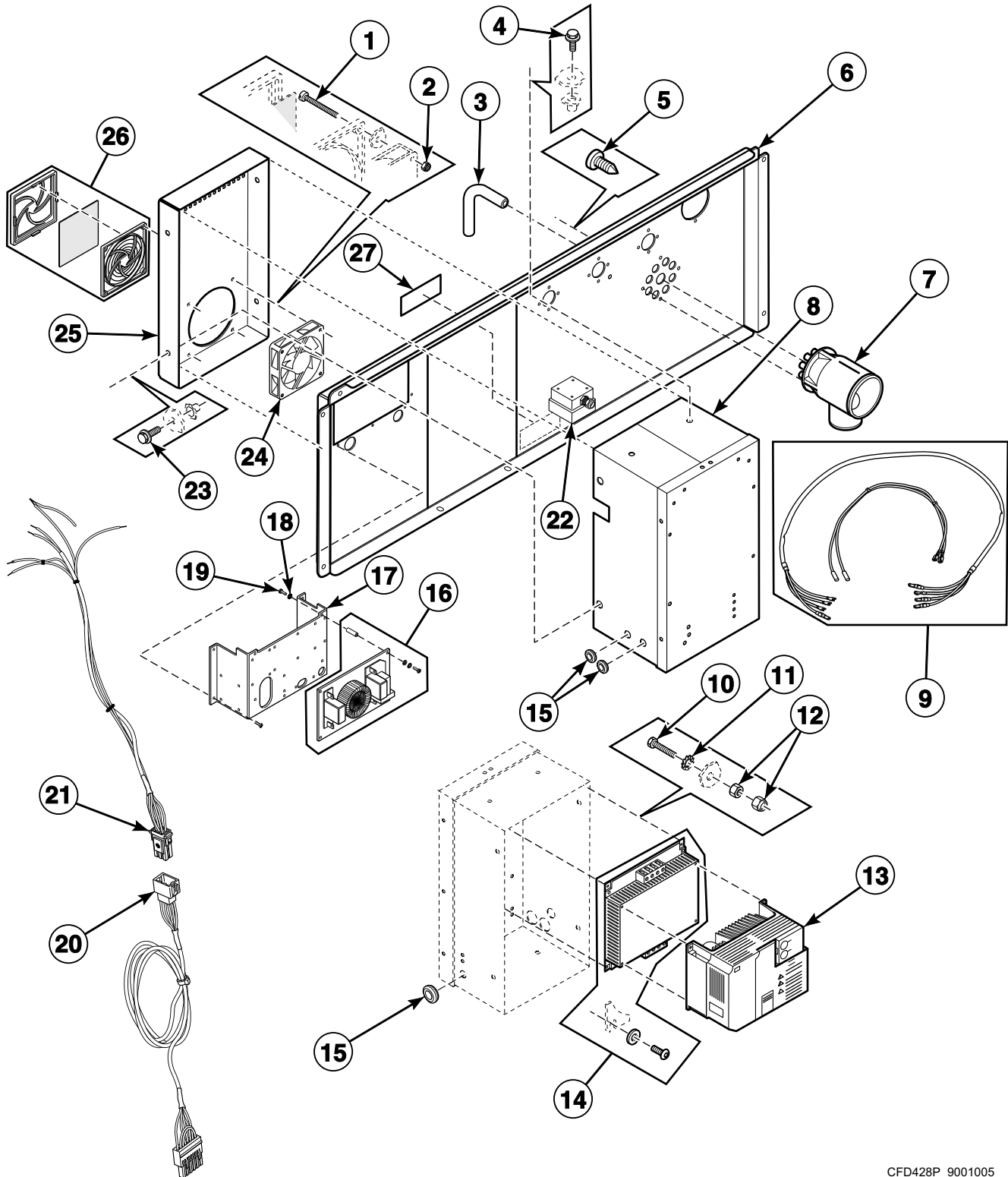
CFD427P_9001005

Upper Back Panel - 55 Pound Models

REF	PART NO.	DESCRIPTION	COMMENTS
	227/00171/00	Parameter Unit Assembly	Includes 227/00171/10 Parameter Unit Program Cable; Hand held
	F8410901	Parameter Unit Assembly	Used with 500-series inverter drives; Mounts to the inverter drive
1	206/00099/00	Bolt	
2	206/00136/00	Bolt	
3	204/00114/00	Nut	
4	223/00179/10	Pressure Hose	
5	B12350903	Screw	
6	111/01158/90	Backbridge	Models through Serial No. 0605755252
7	B12382103	Motor Harness	
8	223/00249/00	Liquid Soap Manifold	
9	111/01150/00	Inverter Drive Box	
10	N/A	Inverter	N-voltage; 440-480 Volt/3 Phase, 2.2 kW; 500-series
	227/00125/05	Inverter Fan	
	F8421105	Drive	Q and X-voltage; 700-series; Used with models with V-belts
	F8421107	Drive	Q and X-voltage; 700-series; Used with models with flat belts
	F8421106	Drive	N and P-voltage; 700-series; Used with models with V-belts
	F8421108	Drive	N and P-voltage; 700-series; Used with models with flat belts
	F8421005	Inverter Kit	Q and X-voltage; 700-series; Used with models with V-belts; Includes F8421105 Drive
	F8421007	Inverter Kit	Q and X-voltage; 700-series; Used with models with flat belts; Includes F8421107 Drive
	F8421006	Inverter Kit	N and P-voltage; 700-series; Used with models with V-belts; Includes F8421106 Drive, F8409501 Mounting Plate Assembly and F430903 Screw
	F8421008	Inverter Kit	N and P-voltage; 700-series; Used with models with flat belts; Includes F8421108 Drive, F8409501 Mounting Plate Assembly and F430903 Screw
11	204/00007/00	Nut	
12	203/00005/00	Washer	
13	205/00108/00	Bolt	
14	223/00174/00	Grommet	
15	227/00165/00	Noise Filter	
16	202/00004/00	Washer	
17	207/00004/00	Screw	
18	210/00027/UL00	Filter	16A1; Standard; Models starting 1/8/04
	227/00180/00	Filter	45A1; 220 Volt/1 Phase models with electric heat; Models starting 1/8/04
	227/00242/00	Noise Filter	16A3; 220 Volt/3 Phase, 4.2 and 6 kW models with electric heat; Models starting 1/8/04
	227/00179/00	Filter	40A3; 400 Volt/3 Phase, 9 kW models with electric heat; Models starting 1/8/04
19	9001952	Electrical Connection Plate	Models through Serial No. 0605755252
20	203/00006/00	Washer	
21	206/00027/00	Bolt	
22	210/01304/15	Micro to Connector Harness	From the main control to the inverter drive; Requires the inverter jumper be in the "source" position
23	210/01064/14	Connector to Inverter Harness	From the main control to the inverter drive
24	209/00406/00	Transformer	N-voltage
25	209/00287/00	Cooling Fan	
26	F200167500	AC Drive Cover	
27	209/00287/01	Fan Grill	Models through 10/5/08
	209/00287/11	AC Drive Filter	Models starting 10/6/08
28	B12355001	Voltage Discharge Decal	

N/A = Part no longer available

Upper Back Panel - 75 Pound Models



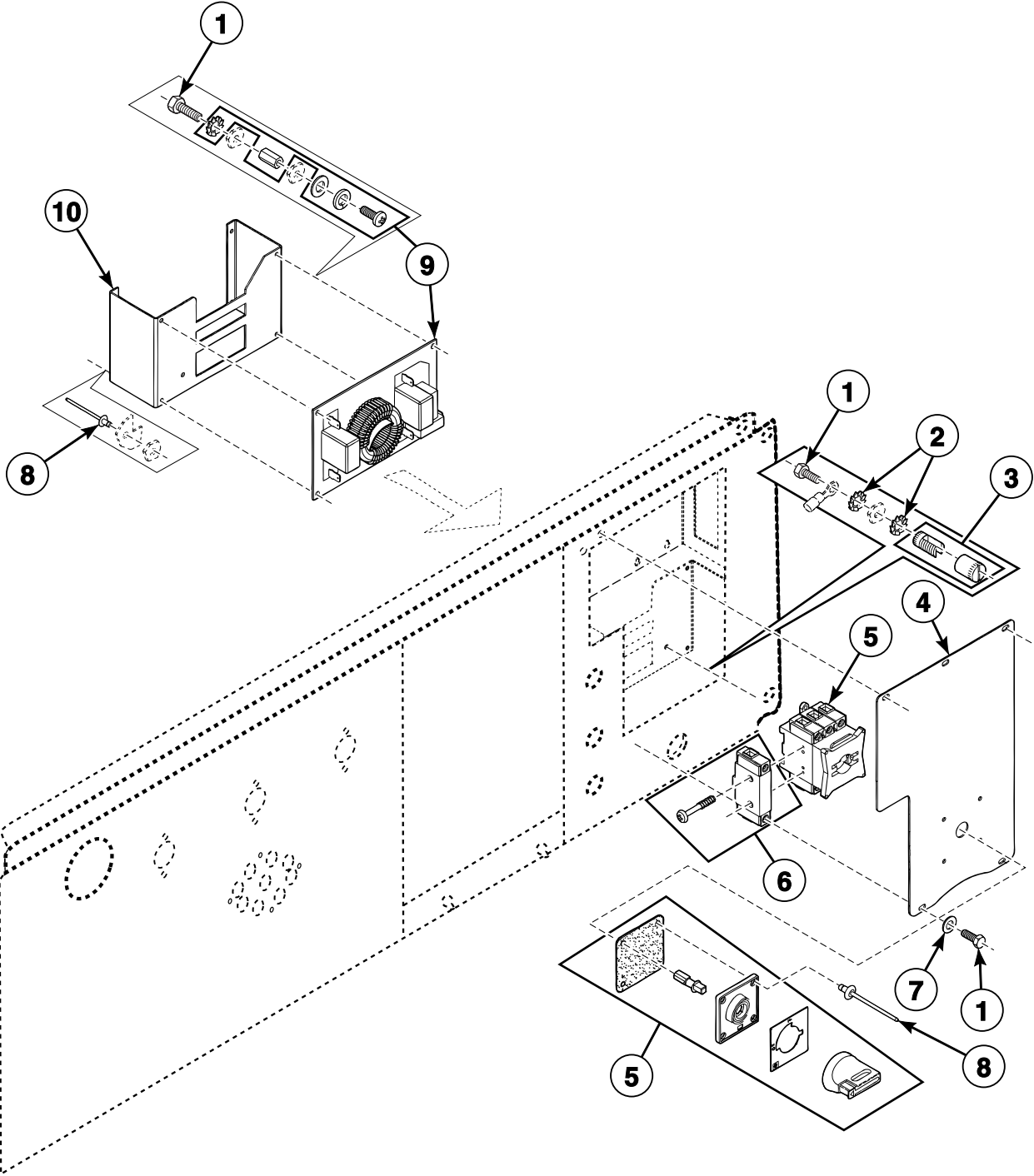
CFD428P_9001005

Upper Back Panel - 75 Pound Models

REF	PART NO.	DESCRIPTION	COMMENTS
	227/00171/00	Parameter Unit Assembly	Includes 227/00171/00 Parameter Unit Assembly and 227/00171/10 Parameter Unit Program Cable; Hand held
	F8410901	Parameter Unit Assembly	Used with 500-series inverter drives; Mounts to the inverter drive
1	206/00136/00	Bolt	
2	204/00114/00	Nut	
3	223/00179/10	Pressure Hose	
4	206/00099/00	Bolt	
5	B12350903	Screw	
6	111/01166/20	Backbridge	Models through Serial No. 0605775057
	111/01166/90	Backbridge	Models starting Serial No. 0605775058
7	223/00249/00	Liquid Soap Manifold	
8	111/01149/00	Inverter Drive Box	
9	210/38729UL/15	Inverter to Motor Harness	
10	205/00108/00	Bolt	
11	203/00005/00	Washer	
12	204/00107/00	Nut	
13	N/A	Inverter	Q-voltage; 3.7 kW; 3 x 240 Volt; 500-series
	N/A	Inverter	N and P-voltage; 3.7 kW; 3 x 380 Volt; 500-series
	227/00125/05	Inverter Fan	
	F8421109	Drive	Q-voltage; 700-series; Used with models with V-belts
	F8421111	Drive	Q-voltage; 700-series; Used with models with flat belts
	F8421110	Drive	N and P-voltage; 700-series; Used with models with V-belts
	F8421112	Drive	N and P-voltage; 700-series; Used with models with flat belts
	F8421009	Inverter Kit	Q-voltage; 700-series; Used with models with V-belts; Includes F8421109 Drive
	F8421011	Inverter Kit	Q-voltage; 700-series; Used with models with flat belts; Includes F8421111 Drive
	F8421010	Inverter Kit	N and P-voltage; 700-series; Used with models with V-belts; Includes F8421110 Drive, F8409501 Mounting Plate Assembly and F430903 Screw
	F8421012	Inverter Kit	N and P-voltage; 700-series; Used with models with flat belts; Includes F8421112 Drive, F8409501 Mounting Plate Assembly and F430903 Screw
14	227/00162/00	Noise Filter	
15	223/00174/00	Grommet	
16	210/00027/UL00	Filter	16A1; Standard; Models starting 1/8/04
	227/00180/00	Filter	45A1; 220 Volt/1 Phase models with electric heat; Models starting 1/8/04
	227/00242/00	Noise Filter	16A3; 220 Volt/3 Phase, 4.2 and 6 kW models with electric heat; Models starting 1/8/04
	227/00179/00	Filter	40A3; 400 Volt/3 Phase, 9 kW models with electric heat; Models starting 1/8/04
17	111/00180/00	Electrical Connection Plate	Models through Serial No. 0605775058
18	203/00006/00	Washer	
19	206/00027/00	Bolt	
20	B12371101	Micro to Connector Harness	Q-voltage; From the main control to the inverter drive; Requires the inverter jumper to be in the "sink" position
	210/01304/15	Micro to Connector Harness	N and P-voltage; From the main control to the inverter drive; Requires the inverter jumper to be in the "source" position
21	210/01064/14	Connector to Inverter Harness	From the main control to the inverter drive
22	209/00406/00	Transformer	N-voltage
23	206/00099/00	Bolt	
24	209/00287/00	Cooling Fan	
25	111/01158/11	Inverter Box Cover	
26	209/00287/01	Fan Grill	Models through 10/5/08
	209/00287/11	AC Drive Filter	Models starting 10/6/08
27	B12355001	Voltage Discharge Decal	

N/A = Part no longer available

Upper Back Panel - 55 Pound Models Starting Serial No. 0605755253 and 75 Pound Models Starting Serial No. 060775059

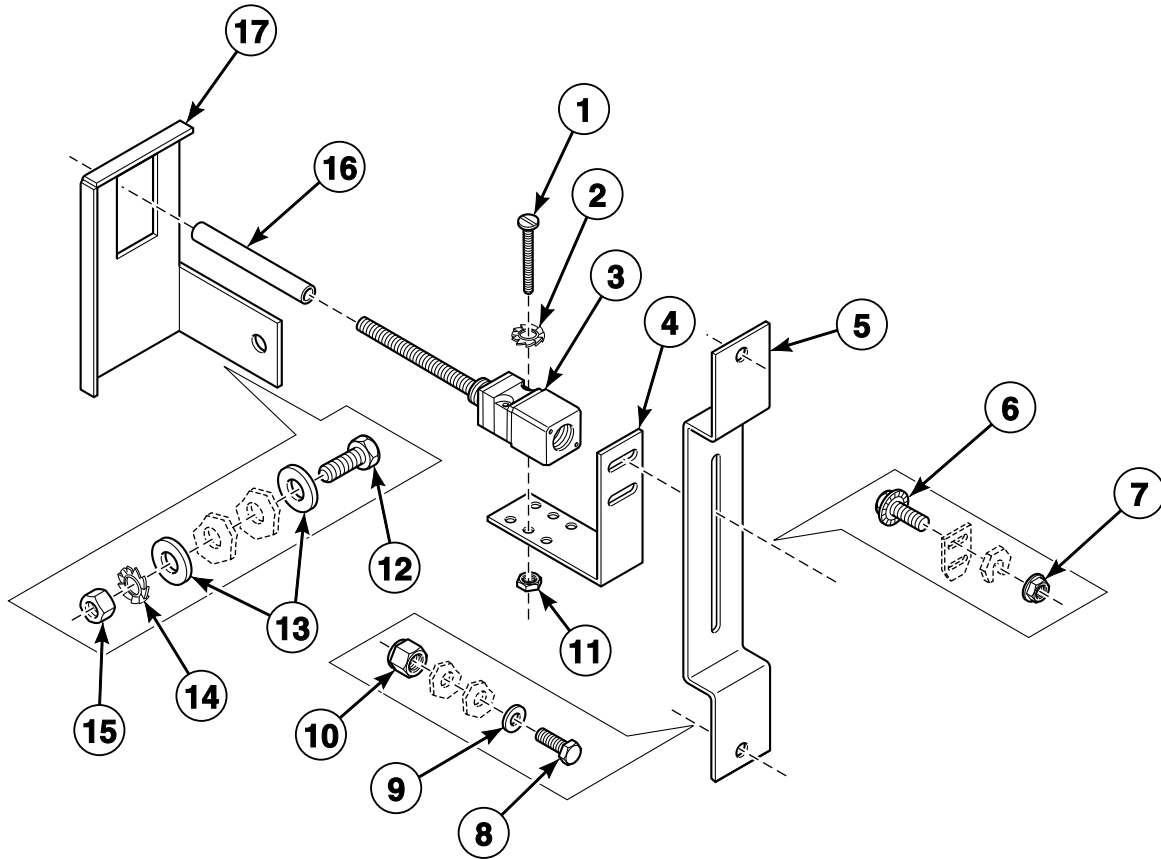


CFD200P_9001005

Upper Back Panel - 55 Pound Models Starting Serial No. 0605755253 and 75 Pound Models Starting Serial No. 060775059

REF	PART NO.	DESCRIPTION	COMMENTS
1	206/00027/00	Bolt	
2	203/00006/00	Washer	
3	209/00006/01	Ground Terminal	
4	111/01834/00	Main Switch Cover	
5	209/00529/00	Main Switch	Standard and steam heat
	209/00672/00	Main Switch	Electric heat; 40 A
	209/00526/00	Main Switch	Electric heat; 80 A
6	209/00530/00	Terminal Block	25 A VZ-11; Neutral
	209/00527/00	Terminal Block	63/80 A VZ-12; Neutral
7	202/00004/00	Washer	
8	208/00017/00	Rivet	
9	210/00027/UL00	Filter	16A1; Standard; Models starting 1/8/04
	227/00180/00	Filter	45A1; 220 Volt/1 Phase models with electric heat; Models starting 1/8/04
	227/00178/00	Filter	16A3; 220 Volt/3 Phase, 4.2 and 6 kW models with electric heat; Models starting 1/8/04
	227/00179/00	Filter	40A3; 220 Volt/3 Phase, 9 kW models with electric heat; Models starting 1/8/04
10	111/01837/01	Filter Bracket	

Balance Switch

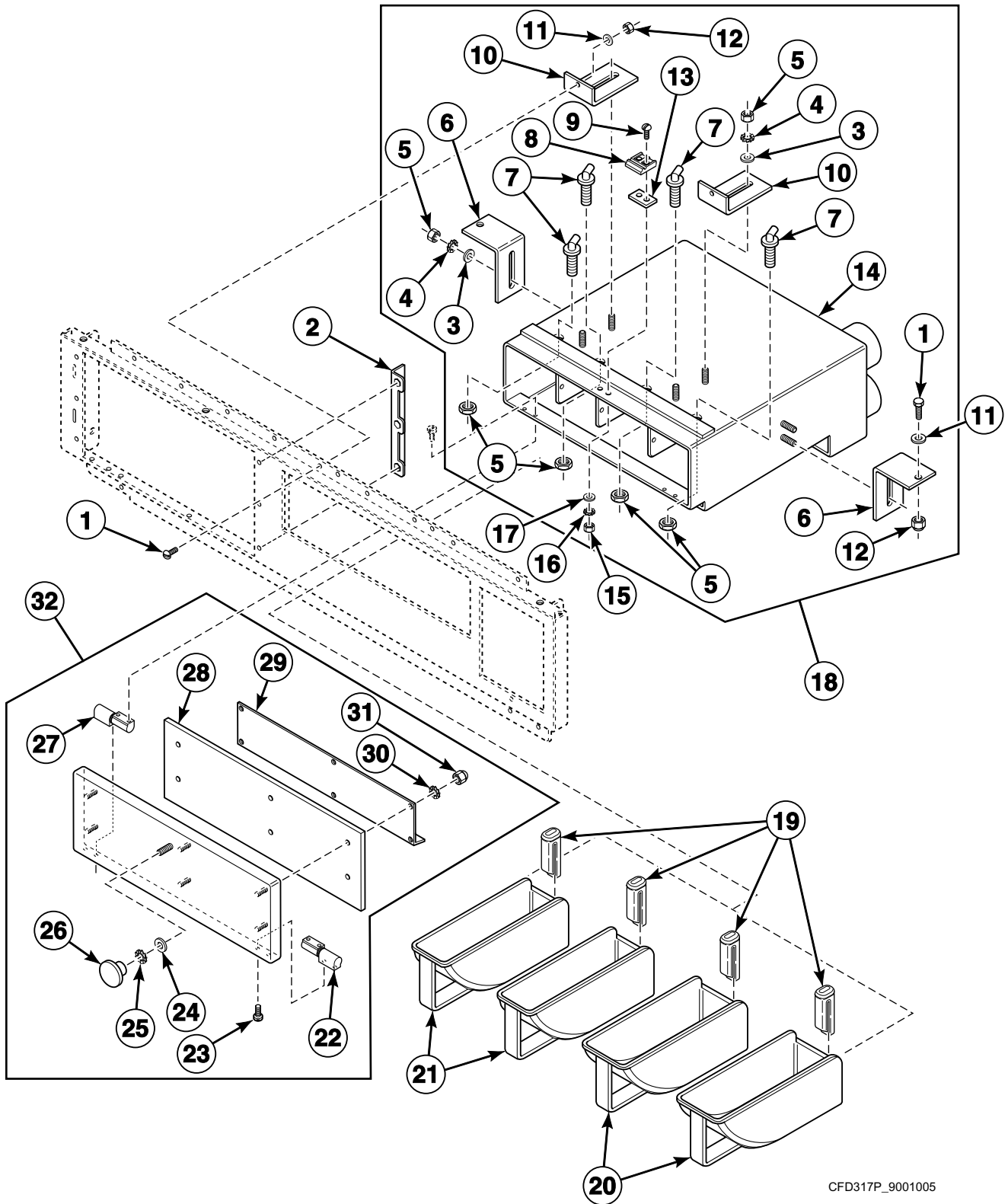


CFD28P_9001005

Balance Switch

REF	PART NO.	DESCRIPTION	COMMENTS
1	207/00018/00	Screw	
2	203/00006/00	Washer	
3	209/00255/00	Out-of-Balance Switch	
4	111/00107/00	Tilt Switch Bracket	
5	111/00255/01	Out-of-Balance Switch Bracket	
6	206/00099/00	Bolt	
7	206/00101/00	Nut	
8	205/00107/00	Bolt	
9	202/00101/00	Washer	
10	204/00009/00	Nut	
11	204/0007/00	Nut	
12	206/00009/00	Bolt	
13	201/00010/00	Washer	
14	203/00003/00	Washer	
15	204/00004/00	Nut	
16	223/00246/00	Out-of-Balance Switch Boot	
17	B12485001	Tilt Detector Plate	

Supply Dispenser - Models UX055PVXF7, UX55PVXF6 and UX55PVXF7

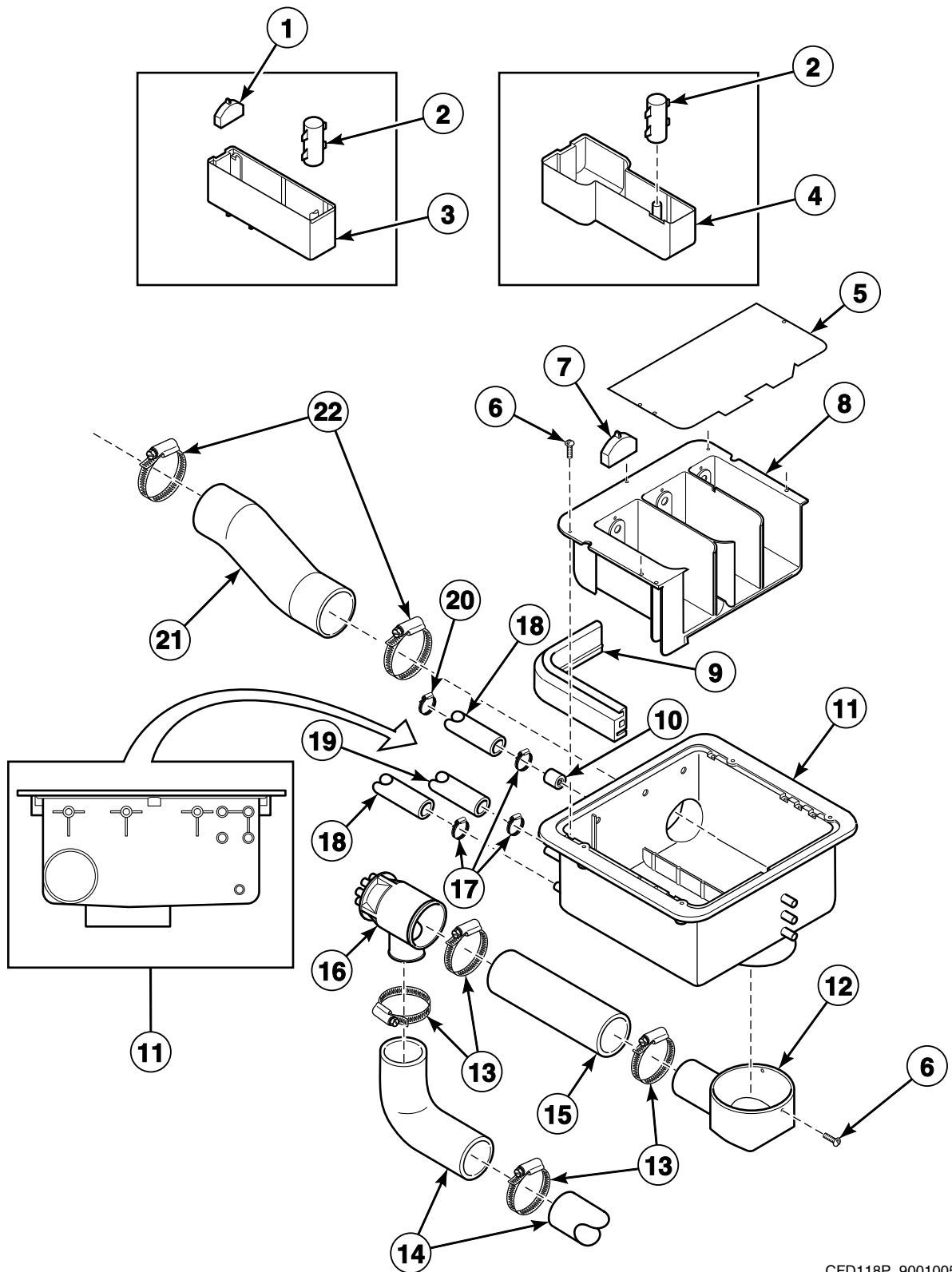


CFD317P_9001005

Supply Dispenser - Models UX055PVXF7, UX55PVXF6 and UX55PVXF7

REF	PART NO.	DESCRIPTION	COMMENTS
1	F430939	Screw	
2	111/10310/02	Control Module Wrap Brace	
3	F431147	Washer	
4	F430322	Washer	
5	F431005	Nut	
6	F0609664-00	Supply Dispenser Mounting Bracket	
7	F8322001	Injection Nozzle	
8	F432223	Supply Dispenser Lid Latch	
9	F430909	Screw	
10	F0637866-00	Supply Dispenser Mounting Bracket	
11	F431147	Washer	
12	F431024	Nut	
13	111/10313/00	Dispenser Lock Plate	
14	F0637862-00	Supply Dispenser Weldment	
15	F431000	Nut	
16	F431106	Washer	
17	F431133	Washer	
18	F0637838-00	Supply Dispenser Assembly	Includes items 3-17
19	F150390	Siphon Tube	
20	F150369	Supply Dispenser Cup	32 oz.
21	F150368	Supply Dispenser Cup	20 oz.
22	F190202P	Lift-Off Hinge	
23	F430903	Screw	
24	F431105	Washer	
25	F431137	Washer	
26	F190101	Push-Pull Knob	
27	F190205P	Lift-Off Hinge	
28	F0637836-00	Gasket Cover	
29	F0637835-00	Gasket Retaining Plate	
30	F431106	Washer	
31	F431028	Nut	
32	F0637833-00	Supply Dispenser Cover Assembly	Includes items 22-31

Supply Dispenser - All Models Except UX055PVXF7, UX55PVXF6 and UX55PVXF7

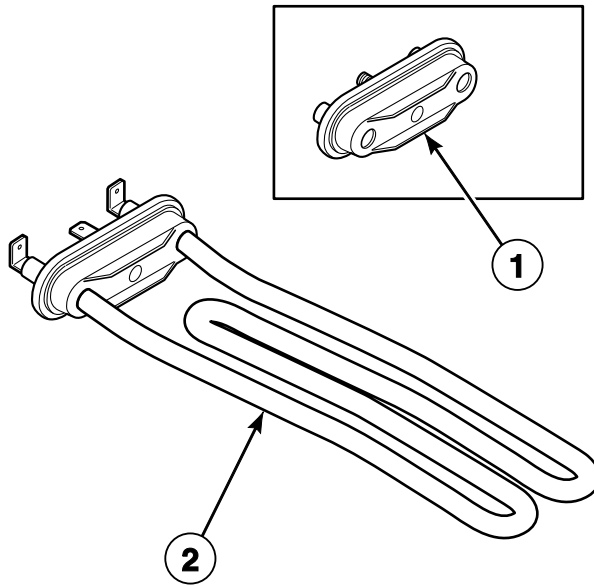


CFD118P_9001005

Supply Dispenser - All Models Except UX055PVXF7, UX55PVXF6 and UX55PVXF7

REF	PART NO.	DESCRIPTION	COMMENTS
1	223/00102/05	Softener Spray Nozzle	
2	223/00102/04	Soap Dispenser Rinse Siphon	
3	223/00102/03	Rinse Insert	
4	223/00102/08	Liquid Soap Dispenser Insert	
5	F200047800	Supply Deflector	
6	B12347509	Screw	
7	223/00102/06	Soap Spray Nozzle	
8	223/00102/30	Soap Dispenser Assembly	
9	223/00109/00	Soap Dispenser Gasket	
10	F060334200P	Restrictor Assembly	
11	223/00102/60	Dispenser Assembly	
12	223/00196/00	Dispenser Drain Funnel	
13	223/00071/00	Hose Clamp	
14	B12322401	Siphon Break Hose	55 pound models
	B12322402	Siphon Break Hose	75 pound models
15	223/00263/00	Siphon Break Dispenser Hose	55 pound models
	223/00264/00	Siphon Break Dispenser Hose	75 pound models
16	223/00249/00	Liquid Soap Manifold	
17	F200205	Hose Clamp	No. 10
18	9001499	Water Hose	
19	223/00059/00	Water Hose	
20	36801	Hose Clamp	No. 8
21	223/00107/06	Vent Hose	
22	223/00014/00	Hose Clamp	

Electric Heating Option

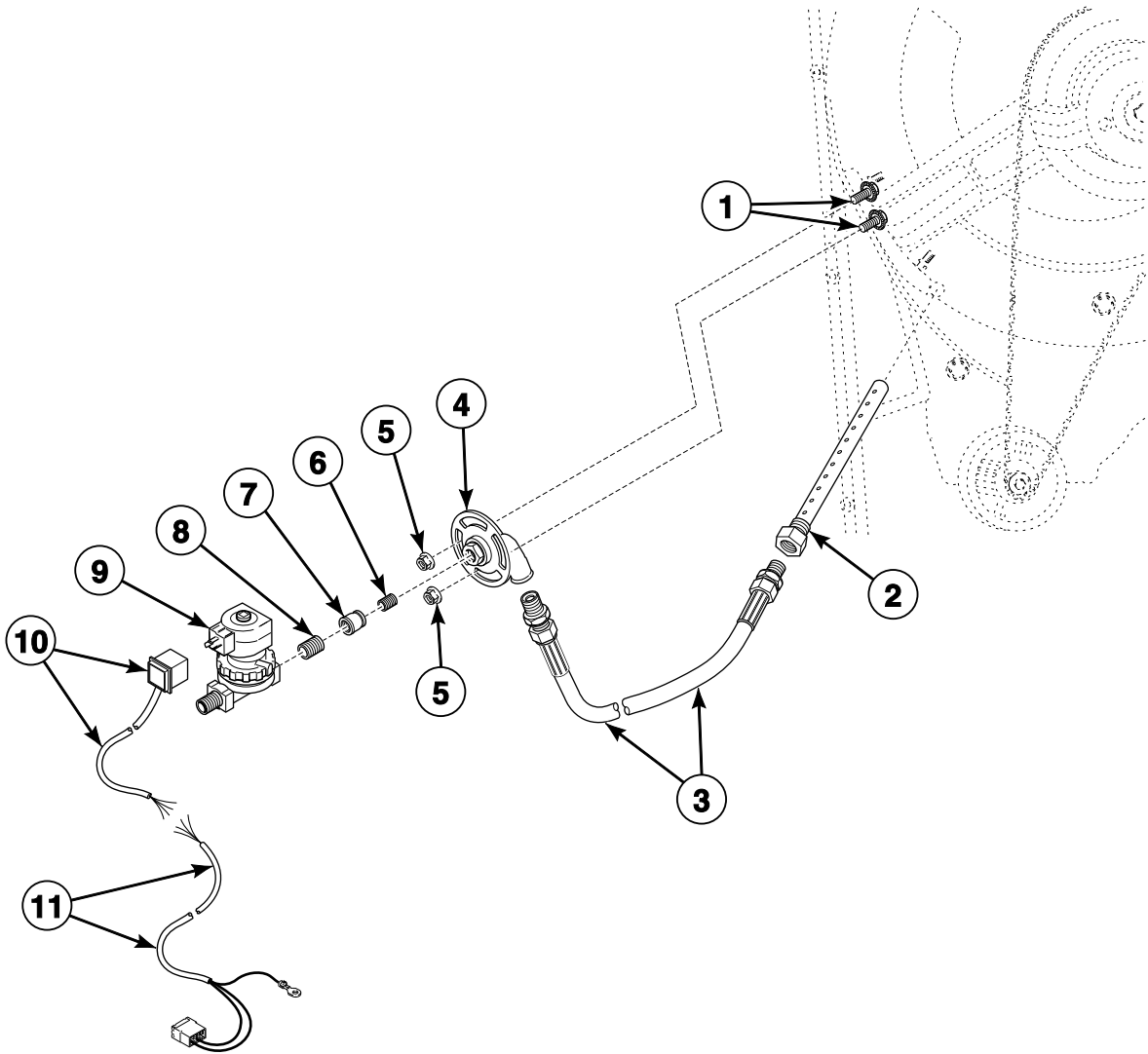


CFD81P_9001005

Electric Heating Option

REF	PART NO.	DESCRIPTION	COMMENTS
1	F360202	Heating Element Plug	
2	209/00562/20	Heating Element	3000 W

Steam Heating Option



CFD106P_9001005

Steam Heating Option

REF	PART NO.	DESCRIPTION	COMMENTS
	808P3	Steam Kit	Includes items 1-11
1	206/00099/00	Bolt	
2	119/00082/00	Steam Injector	
3	217/00025/00	Steam Hose	
4	118/01063/00	Steam Inlet	
5	206/00101/00	Nut	
6	70435601	Pipe Nipple	1/2 inch
7	F200001100	Reducer	
8	F200001200	Nipple	3/8 inch
9	F8521801	DIN Valve Kit	3/4 inch
	F8521501	DIN Valve Kit	1/2 inch
10	F605220	Steam Valve Harness	
11	210/01304/03	Main Control Heat Harness	

Parts Index

A

AC Drive Cover	
F200167500	81
AC Drive Filter	
209/00287/11	81

B

Backbridge	
111/01158/90	63, 79, 81
111/01166/20	83
111/01166/90	83
111/10303/00	65
Balance Switch Access Cover	
F0637820-00	53
Ball Bearing	
212/00004/00	23, 25, 27
Basket	
B12380901	19, 21, 29
B12381001	19, 21, 29
Basket and Pulley Kit	
B12537901	19, 21, 31
Basket Kit	
B12543201	19, 21, 29
Bearing	
F100134	23, 25
Bearing and Seal Kit	
3884P	25
Bearing Housing Assembly	
139/10006/00	23, 25
212/10036/01	27
Bearing Housing Cover	
112/00004/00	27
Bearing Replacement Kit	
891P3	23
892P3	27
Bearing Replacement Tool Kit	
381P3	25
385P4	23, 27
Bearing Retainer Ring	
9001036	33
Bearing Spacer	
232/00020/00	31
Belt	
226/00102/01	29
226/00118/00	31
226/00149/00	29
226/00151/00	31
Bolt	
205/00102/00	23, 25
205/00103/00	39, 41, 63, 65, 67, 69, 71
205/00104/00	23, 25, 27, 45, 47, 49
205/00105/00	37, 63, 65, 67, 69, 71
205/00107/00	37, 59, 87
205/00108/00	81, 83
205/00113/00	79
206/00003/00	33, 35
206/00004/00	29, 31
206/00006/00	33, 35

206/00009/00	19, 21, 39, 41, 87
206/00010/00	27
206/00027/00	71, 79, 81, 83, 85
206/00032/00	19, 21
206/00042/00	63, 65, 67, 69, 71
206/00047/00	35
206/00066/00	19, 21
206/00071/00	19, 21
206/00072/00	33, 35
206/00087/00	15, 17
206/00099/00	57, 59, 61, 63, 65, 67, 69, 71, 73, 75, 79, 81, 83, 87, 95
206/00130/00	29
206/00136/00	81, 83
206/00153/00	13, 15, 17
207/00131/00	75
224/00046/00	13, 15
9001557	17

Bushing

F130315	77
204/00301/00	75

C

Caddy Bracket	
224/00051/00	23, 25, 27
224/00052/00	23, 25, 27
Circuit Board Cover	
229/00289/00	55
Clamp	
223/00009/00	77
Connector	
209/00996/00	79
Connector to Inverter Harness	
210/01064/14	81, 83
Contact Block	
44018701	53, 55
44018901	53, 55
Contacto	
209/00041/04	57, 59, 61
209/06148/02	61
Control Module Bottom Assembly	
F0637821-00	53
Control Module Face	
F0637813-00	53
Control Module Wrap	
F0637819-00	53
Control Module Wrap Brace	
111/10310/02	89
Control Panel	
111/05016/00	55, 67, 69, 71
111/10302/00	65
111/32728/00	55, 63
Cooling Fan	
209/00287/00	33, 35, 81, 83
Cordlock	
211/00123/00	79
211/00138/00	33, 35, 79
Counter Ring	
219/00004/00	29
232/00008/00	31

N/A items do not appear in index.

Counterweight	
115/00136/00	19
115/00140/00	19, 21
9001023	21
Coupling	
B12341901	37
223/00360/50	77
223/00360/60	77
Cover	
111/10315/00	73
Cylinder and Shaft Assembly	
B12327101	19, 21, 29

D

Diaphragm	
F0638025-00	77
209/00316/02	79
Diaphragm and Guide Kit	
G582P3	77
DIN Valve Kit	
F8521501	95
F8521801	95
Dispenser Assembly	
223/00102/60	91
Dispenser Drain Funnel	
223/00196/00	91
Dispenser Front Mounting Plate	
111/10101/00	63, 65
Dispenser Lock Plate	
111/10313/00	89
Dispenser Mounting Plate	
111/00207/00	67
Dispenser Rear Mounting Plate	
111/10102/00	63, 65
Display	
209/00580/03	53, 55
Door	
118/00125/00	47, 49
131/00004/00	45
Door Front Panel	
111/05015/00	21
111/32568/00	19
9001096	19
Door Glass	
B12449801	45, 47, 49
Door Glass Seal	
223/00068/00	45, 47, 49
Door Handle	
217/00055/00	45, 47, 51
217/00065/00	49
Door Handle Catch	
217/00051/13	51
Door Handle Decal	
229/00281/00	19, 21
Door Handle Latch	
9001474	51
Door Handle Stop	
217/00016/00	45, 47, 49
Door Hinge Block	
253/00022/00	45, 47, 49
Door Hinge Plate Assembly	
9001038	45, 47, 49

Door Hinge Spacer	
118/00124/00	45, 47, 49
Door Lock Assembly	
B12517701	43
Door Lock Harness	
210/59001/00	43
Door Lock Microswitch	
209/00272/00	43
Door Lock Pin Kit	
211/00109/02	43, 45, 47, 49
Door Lock Solenoid	
C000184P	43
Door Lock Spacer	
9001477	43
Door Lock Spring	
224/00049/00	43
Door Release Wire	
217/00052/07	43
Drain Elbow	
223/00368/00	37
Drain Kit	
831P3	41
Drain Pipe	
223/00106/00	39, 41
Drain Support Bracket	
111/10300/00	37
Drain Tee	
F0380318-00	37
Drain Tub to Drain Valve Hose	
223/00133/00	39
Drain Valve	
F0380632-00	37
209/00171/00	41
Drain Valve Bracket	
F8619001	39, 41
111/10305/00	37
Drain Valve Bracket Plate	
111/10318/00	37
Drain Valve Harness	
900/00261/UL00	39, 41
Drain Valve Kit	
B12630701	39, 41
Drain Valve Mounting Bracket	
111/10312/00	37
Drain Valve Overflow Plug	
223/00086/00	39, 41
Drain Valve Plate Assembly	
115/00147/00	39, 41
Drain Valve to Drain Pipe Hose	
223/00141/00	37, 39, 41
Drain Valve Wiring Harness	
210/00905/00	37
Drive	
F8421105	81
F8421106	81
F8421107	81
F8421108	81
F8421109	83
F8421110	83
F8421111	83
F8421112	83
Drum	
B12327301	19, 21, 31

N/A items do not appear in index.

E

Elbow	
223/00210/00	57, 59
Electrical Component Extension Plate	
140/00021/00	57
Electrical Component Mounting Plate	
111/10003/40	61
Electrical Component Plate	
111/10004/00	61
111/10004/10	61
Electrical Components Plate	
111/00197/30	57
111/01028/00	59
140/10020/10	59
Electrical Connection Plate	
111/00094/10	79
111/00180/00	83
9001952	81
Electrical Connection Sticker	
9001594	79
Exhaust Valve Hose	
223/00170/00	41

F

Fan Grill	
209/00287/01	81, 83
Filter	
209/00287/11	83
209/00385/00	79
209/00385/01	79
210/00027/UL00	81, 83, 85
227/00178/00	85
227/00179/00	81, 83, 85
227/00180/00	81, 83, 85
Filter Bracket	
111/01837/01	85
Finger Guard Extension Assembly	
F0637762-00	63, 65
Flow Restrictor	
F380119	77
223/00367/00	77
223/00390/00	79
Frame	
114/00018/50	11
114/00019/50	9
Front Panel	
131/00002/00	19, 21
Front Panel Gasket	
223/00242/50	19, 21
Fuse	
209/00372/01	55
209/00468/00	79
Fuse Holder	
209/00202/01	79

G

Gasket	
246/00092/00	19, 21

246/00149/00	37, 63, 65, 67, 69, 71
Gasket Cover	
F0637836-00	89
Gasket Retaining Plate	
F0637835-00	89
Gravity Drain Valve	
803292	37
Grease Ring	
212/00007/00	27
Grommet	
223/00174/00	81, 83
223/00198/00	57, 59, 79
Ground Terminal	
209/00006/01	79, 85
210/10015/00	43

H

Heating Contactor	
209/06148/02	57, 59
Heating Element	
209/00562/20	93
Heating Element Plug	
F360202	93
Hinge	
221/00004/00	45, 47, 49
Hose	
F0150470-01	37
F200105	37
223/00359/00	77
223/00360/00	77
Hose Barb	
223/00016/00	57, 59
Hose Clamp	
F200201	37
F200205	79, 91
F200213	37
223/00010/00	77
223/00011/00	57, 59, 79
223/00012/00	39, 41
223/00013/00	37, 39, 41
223/00014/00	77, 91
223/00071/00	39, 41, 91
36801	91
Hose Vent	
223/00102/07	77, 79

I

Injection Nozzle	
F8322001	89
Inlet Valve Restrictor	
F200052400	79
Inlet Valve Solenoid	
209/00090/01	79
Inlet Valve, 2-Way	
209/00316/00	79
209/00419/00	77, 79
Insulating Sticker	
229/00255/00	53, 55
Interlock Coil Spring	
224/00043/00	43

N/A items do not appear in index.

Interlock Lever 217/00052/04	43
Intermediate Fan Motor Plate 111/00243/00	33
Inverter Box Cover 111/01158/11	83
Inverter Drive Box 111/01149/00	83
111/01150/00	81
Inverter Fan 227/00125/05	81, 83
Inverter Kit	
F8421005	81
F8421006	81, 83
F8421007	81
F8421008	81
F8421009	83
F8421011	83
F8421012	83
Inverter to Motor Harness 210/38729UL/15	83

K

Key	
F160562	53
212/00026/00	29, 31
Kickplate	
111/32943/00	63, 65, 67, 69, 71

L

Latch	
111/10310/03	53
Left Front Panel	
111/32948/50	67, 69, 71
111/32951/50	63, 65
Lever Spring 224/00040/00	43
Lid Lock F190802P	53
Lift-Off Hinge	
F190202P	89
F190205P	89
Lip Seal B12332301	25
Liquid Soap Dispenser Insert 223/00102/08	91
Liquid Soap Manifold 223/00249/00	77, 81, 83, 91
Lock Latch F606295	53
Lock Shaft 217/00017/03	43
Lubricator 212/00002/00	27

M

Main Control 209/00580/00	55
------------------------------------	----

209/00580/00-AR	53
209/00580/00-MA	53
Main Control Heat Harness 210/01304/03	95
Main Switch	
209/00526/00	85
209/00529/00	85
209/00672/00	85
Main Switch Cover 111/01834/00	85
Micro to Connector Harness	
B12371101	83
210/01304/15	81, 83
Microswitch B12625101	43
Motor	
B12510401	35
B12510901	33
Motor Harness B12382103	81
Motor Plate	
115/10117/00	35
115/10126/00	33

N

Nipple F200001200	95
Noise Filter	
227/00162/00	83
227/00165/00	81
227/00242/00	81, 83
Noise Suppressor 209/00356/00	57, 59
Nut	
F430218	37
F431000	89
F431005	89
F431017	53
F431024	37, 89
F431028	89
204/00004/00	39, 41, 87
204/00005/00	57, 67, 69, 71
204/00007/00	35, 63, 65, 79, 81
204/00008/00	43, 55
204/00009/00	19, 21, 37, 43, 63, 65, 67, 69, 71, 87
204/00012/00	13, 15, 17, 35
204/00016/00	13, 15, 17
204/00019/00	13, 15, 17, 33
204/0007/00	87
204/00103/00	45, 47, 49
204/00106/00	39, 41, 45, 47, 49, 63, 65, 67, 69, 71
204/00107/00	83
204/00109/00	19, 21, 63, 65, 67, 71
204/00111/00	19, 21, 33, 35
204/00113/00	13, 15, 17, 19, 21, 23, 25, 27, 33, 35, 37
204/00114/00	35, 71, 77, 81, 83
204/00115/00	33
204/00116/00	53, 55
204/00201/00	79
206/00101/00	57, 59, 63, 65, 67, 87, 95
208/00104/00	75
9001262	69

N/A items do not appear in index.

O

O-Ring	
217/00002/00	23
217/00021/00	45, 47, 49
231/00036/00	27
Outlet Pipe Plate Assembly	
101/00007/00	39, 41, 63, 65, 67, 69, 71
Out-of-Balance Switch	
209/00255/00	87
Out-of-Balance Switch Boot	
223/00246/00	87
Out-of-Balance Switch Bracket	
111/00255/01	87
Overflow Hose	
223/00131/00	39, 41
Overlay	
F8435601	55
F9001561	53, 55
225/00392/00	55
9001890	55
Overload Contactor	
9002021	61
9002022	61
9002023	61
9002024	61
9002025	61
9002026	61
9002027	61

P

Parameter Unit Assembly	
F8410901	81, 83
227/00171/00	81, 83
Pipe	
223/00370/00	37
Pipe Nipple	
70435601	95
Pressure Hose	
B12700018	57, 59, 61
223/00179/10	81, 83
Pressure Switch	
209/00007/50	57, 59, 61
Pressure Switch Cap	
223/00035/02	61
Pressure Switch Hose Tee	
223/00173/10	57, 59, 61
Prewash and Mainwash Nozzle	
223/00001/04	79
Printboard Separator	
211/00128/00	53
Programming Cable	
B12388303	53, 55
Programming Key	
209/00326/21	53, 55
Programming Key Contact Switch	
209/00326/20	53, 55
Pulley	
185/00086/00	33
212/00009/00	31
226/00117/00	35

226/00148/00	29
226/00152/00	35
239/00013/00	29, 31

Pulleys and Belt Kit	
967P3	29, 33
Pushbutton	
44018801	53, 55
Push-Pull Knob	
F190101	89

R

Rear Panel	
111/00126/10	75
111/00127/10	75
111/10308/00	73
Reducer	
F200001100	95
Restrictor Assembly	
F060334200P	91
Retainer Ring	
212/00006/00	23, 25, 27
212/00037/00	23, 25
Ribbon Assembly	
B12388302	53, 55
Right Front Panel	
111/32957/50	63, 65
111/32960/50	67, 69, 71
Right Side Panel	
111/10301/00	73
Rinse Insert	
223/00102/03	91
Rivet	
208/00017/00	53, 79, 85
Roller Bearing	
212/00005/00	27, 31

S

Screw	
B12347509	91
B12350903	81, 83
B12500801	49
F430903	89
F430909	89
F430927	37
F430939	37, 89
F430956	53
107/00136/00	77
201415	53
206/00031/00	33
206/00056/00	31, 35
206/00104/00	73
206/00111/00	19, 21
206/00158/00	23, 25, 27
206/00166/00	69
207/00004/00	81
207/00009/00	43
207/00018/00	87
207/00020/00	45, 47
207/00032/00	63, 65
207/00101/00	63, 65, 67, 69, 71
207/00110/00	31

N/A items do not appear in index.

207/00112/00	43	Soap Spray Nozzle	
207/00115/00	43	223/00102/06	91
207/00126/00	45, 47, 49	Softener Spray Nozzle	
207/00135/00	43	223/00102/05	91
208/00007/00	61	Spacer	
208/00121/00	63, 65, 67, 69, 71	115/00151/00	19, 21
208/00122/00	19, 21	211/00107/00	55
208/00123/00	19, 21	211/00140/00	53, 55
208/00125/00	63, 65, 67, 69, 71	Speed Detector	
9001329	35, 79	210/00074/00	23, 25
Seal Cover		210/00075/00	27
219/00001/00	23	Standoff	
Seal Cover Plate		211/00120/00	79
131/00035/00	27	211/00147/00	77
Seal Holder Assembly		Steam Hose	
119/00001/01	23	217/00025/00	95
131/00035/01	27	Steam Injector	
Seal Plate Assembly		119/00082/00	95
B12333701	25	Steam Inlet	
Shaft Seal		118/01063/00	95
132/00009/00	31	Steam Kit	
219/00003/00	23	808P3	95
Shipping Brace		Steam Valve Harness	
114/00023/00	11	F605220	95
114/00024/00	9	Supply Deflector	
Shock Absorber		F200047800	91
247/00008/00	13, 15, 17	Supply Dispenser Assembly	
Shock Absorber Bushing		F0637838-00	89
211/00137/10	13	Supply Dispenser Cover Assembly	
Shock Absorber Service Kit		F0637833-00	89
B12419101	13, 15	Supply Dispenser Cup	
B12460901	13, 17	F150368	89
Side Panel		F150369	89
133/00126/60	67, 69, 71, 75	Supply Dispenser Hose	
140/00007/60	63, 65, 75	F0200236-01	37
Side Panel Cover		Supply Dispenser Lid Latch	
111/10316/00	73	F432223	89
Siphon Break Dispenser Hose		Supply Dispenser Mounting Bracket	
223/00263/00	91	F0609664-00	89
223/00264/00	91	F0637866-00	89
Siphon Break Hose		Supply Dispenser Weldment	
B12322401	91	F0637862-00	89
B12322402	91	Supply Hose	
Siphon Tube		F200171	37
F150390	89	Support	
Soap Box Support Plate		B12418401	15, 17
111/00117/00	67	B12455301	17
Soap Dispenser Assembly		B12455401	17
223/00102/30	91	Support Bracket	
Soap Dispenser Cover		B12456101	71
223/00103/01	75	B12456201	71
Soap Dispenser Cover Hinge Rod		111/00207/11	69
223/00103/04	75	Support Connector	
Soap Dispenser Frame		111/10003/10	61
223/00103/03	75	Suspension Spring	
Soap Dispenser Gasket		B12440101	13
223/00109/00	91	B12456301	13, 15, 17
Soap Dispenser Rinse Siphon		Switch Base	
223/00102/04	91	209/00099/25	53, 55
Soap Harness		Switch Knob	
210/01304/07	55	209/00099/29	55
Soap Injection PCB with Fuse			
209/00218/13	79		

N/A items do not appear in index.

T

Tee	
223/00369/00	37
Terminal Block	
209/00058/00	79
209/00527/00	85
209/00530/00	85
Thermostat	
210/01064/16	57
210/01304/16	59, 61
Thermostat Grommet	
225/10004/00	57, 59, 61
Threaded Rod	
B12511601	15, 17, 33
Tilt Detector Plate	
B12485001	87
Tilt Switch Bracket	
111/00107/00	87
Top Panel	
111/05013/00	75
111/10304/00	73
140/00045/01	75
T-Piece	
253/00006/00	41
Transformer	
209/00406/00	81, 83
Trim	
211/00143/00	53
Tub	
B12330101	19, 21
B12330201	19, 21
B12330301	19, 21
B12330501	19, 21
B12330601	19, 21
B12330701	21
119/00213/11	19, 21, 37
9001124	19
Tub Clamp Ring	
238/00011/00	19, 21
Tub Front	
138/00001/00	19, 21
Tub Front Mounting Strap	
115/00161/00	19, 21
Tub Front Panel Clip	
217/00008/00	19, 21
Tub Front Panel Gasket	
223/00242/40	19, 21
Tub Front Ring Clamp	
231/00010/00	19, 21
Tub Mount Rings Bracket	
115/00125/00	19, 21
Tub Mounting Strap	
137/00008/00	19, 21
Tub Strap	
131/00010/00	19, 21
Tub Support	
B12616001	9
115/00118/00	11
Tub Tightening Ring	
115/00162/00	19, 21
115/00163/00	19, 21

V

Valve, 3-Way	
F0381737-00P	77
Vent Hose	
223/00107/06	91
Voltage Discharge Decal	
B12355001	81, 83

W

Warning Label	
44324001	37
Washer	
B12421401	69
B12522101	19
F430322	89
F431105	89
F431106	89
F431123	53
F431133	89
F431137	89
F431147	37, 89
M400080	37
201/00001/00	15, 17, 21, 23, 25, 27, 35
201/00002/00	33, 79
201/00004/00	33, 35
201/00006/00	43, 67, 69, 71
201/00007/00	19, 21
201/00010/00	15, 17, 19, 21, 63, 65, 67, 69, 71, 87
201/00011/00	29, 31
201/00017/00	43
201/00018/00	43
201/00023/00	13
201/00201/00	23, 25
201/00202/00	27
20290	79
202/00002/00	39, 41
202/00004/00	63, 65, 71, 79, 81, 85
202/00101/00	37, 43, 45, 47, 49, 59, 87
202/00104/00	45, 47, 49
202/00105/00	19, 21
202/00110/00	63, 65, 67, 69, 71
202/00111/00	45, 47, 49
202/00124/00	43
203/00001/00	29, 31
203/00002/00	35
203/00003/00	27, 39, 41, 87
203/00004/00	23, 25, 39, 41, 57, 63, 65, 67, 69, 71
203/00005/00	81, 83
203/00006/00	35, 63, 65, 79, 81, 83, 85, 87
203/00007/00	43, 55
203/00008/00	45, 47, 49
223/00123/00	53, 55
803615	79
Water Hose	
F200107P	77
F200164	79
F200166	79
223/00044/00	77, 79
223/00059/00	77, 79, 91
9001499	91
Water Level Switch	
B12548601	61

N/A items do not appear in index.

Water Valve Adapter
223/00050/01 79
