

Washer-Extractor

15, 30 and 135 Models
Refer to Page 5 for Model Numbers



Table of Contents

Title	Page
Parts Ordering Information.....	4
Serial Plate Location	4
Model Identification	5
Logo Label	6
Upper Frame.....	8
Lower Frame.....	10
Stabilizing Spring - AF Non-Brand, H, HY, IY, J, LP, SY and UY Models.....	12
Stabilizing Spring - AF, FX, HX, LY, MWF, PY, QW and SW Models.....	14
Stabilizing Spring - AF, IY, and NY Models	16
Stabilizing Springs - FX and PY Models with X Control Flex	18
Cabinet - AF Non-Brand, HY, LP, NY, SY and UY Models (Drawing 1 of 2).....	20
Cabinet - AF Non-Brand, HY, LP, NY, SY and UY Models (Drawing 2 of 2).....	22
Cabinet - H, IY and J Models (Drawing 1 of 2)	24
Cabinet - H, IY and J Models (Drawing 2 of 2)	26
Cabinet - AF, FX, HX, LY, MWF, PY, QW and SW Models (Drawing 1 of 2)	28
Cabinet - AF, FX, HX, LY, MWF, PY, QW and SW Models (Drawing 2 of 2)	30
Cabinet - AF, IY and NY Models (Drawing 1 of 3)	32
Cabinet - AF, IY and NY Models (Drawing 2 of 3)	34
Cabinet - AF, IY and NY Models (Drawing 3 of 3)	36
Cabinet - PY Models (Drawing 1 of 2)	38
Cabinet - PY Models (Drawing 2 of 2)	40
Control Panel - AF Non-Brand, HY, LP, NY, SY and UY Models (Drawing 1 of 5).....	42
Control Panel - AF Non-Brand, HY, LP, NY, SY and UY Models (Drawing 2 of 5).....	44
Control Panel - AF Non-Brand, HY, LP, NY, SY and UY Models (Drawing 3 of 5).....	46
Control Panel - AF Non-Brand, HY, LP, NY, SY and UY Models (Drawing 4 of 5).....	48
Control Panel - AF Non-Brand, HY, LP, NY, SY and UY Models (Drawing 5 of 5).....	50
Control Panel - H, IY and J Models (Drawing 1 of 4).....	52
Control Panel - H, IY and J Models (Drawing 2 of 4).....	54
Control Panel - H, IY and J Models (Drawing 3 of 4).....	56
Control Panel - H, IY and J Models (Drawing 4 of 4).....	58
Control Panel - AF, FX, HX, LY, MWF, PY, QW and SW Models (Drawing 1 of 2).....	60
Control Panel - AF, FX, HX, LY, MWF, PY, QW and SW Models (Drawing 2 of 2).....	62
Control Panel - AF, FX, HX, LY, MWF and PY Models (Drawing 1 of 4).....	64
Control Panel - AF, FX, HX, LY, MWF and PY Models (Drawing 2 of 4).....	66
Control Panel - AF, FX, HX, LY, MWF and PY Models (Drawing 3 of 4).....	68
Control Panel - AF, FX, HX, LY, MWF and PY Models (Drawing 4 of 4).....	70
Control Panel OPL - AF, IY and NY Models	72
Control Panel Vended - AF, IY and NY Models	74
Control Panel for Central Payment System - AF, IY and NY Models.....	76
Control Panel OPL - AF, IY and NY Models	78
Control Panel Vended - AF, IY and NY Models	80

© Copyright 2021, Alliance Laundry Systems LLC

All rights reserved. No part of the contents of this book may be reproduced or transmitted in any form or by any means without the expressed written consent of the publisher.

Control Panel for Central Payment System - AF, IY and NY Models.....	82
Control Panel - X Control Flex OPL.....	84
Control Panel - X Control Flex for Coin Meter.....	86
Control Panel - X Control Flex for Central Payment System.....	88
Coin Meter Box.....	90
Coin Meter Box - AF, IY and NY Models.....	92
Coin Meter Box - AF, IY and NY Models (Drawing 1 of 3).....	94
Coin Meter Box - AF, IY and NY Models (Drawing 2 of 3).....	96
Coin Meter Box - AF, IY and NY Models (Drawing 3 of 3).....	98
Coin Meter (Drawing 1 of 3).....	100
Coin Meter (Drawing 2 of 3).....	102
Coin Meter (Drawing 3 of 3).....	104
Door (Drawing 1 of 2).....	106
Door (Drawing 2 of 2).....	108
Door - AF, IY, NY and J Models.....	110
Door - FX and PY Models with V in 7th Position.....	112
Door Lock (Drawing 1 of 2).....	114
Door Lock (Drawing 2 of 2).....	116
Water Inlet System.....	118
Two Water Inlet System.....	120
Three Water Inlet System.....	122
Drain System (Drawing 1 of 2).....	124
Drain System (Drawing 2 of 2).....	126
Rear Panel (Drawing 1 of 3).....	128
Rear Panel (Drawing 2 of 3).....	130
Rear Panel (Drawing 3 of 3).....	132
Rear Panel - 230-400V with Neutral (Drawing 1 of 2).....	134
Rear Panel - 230-400V with Neutral (Drawing 2 of 2).....	136
Rear Panel - 400-440V (Drawing 1 of 2).....	138
Rear Panel - 400-440V (Drawing 2 of 2).....	140
Rear Panel - CE Models 230-400V with Neutral (Drawing 1 of 2).....	142
Rear Panel - CE Models 230-400V with Neutral (Drawing 2 of 2).....	144
Rear Panel - CE Models 400-440V (Drawing 1 of 2).....	146
Rear Panel - CE Models 400-440V (Drawing 2 of 2).....	148
Rear Panel - 230V/400V + N (Drawing 1 of 2).....	150
Rear Panel - 230V/400V + N (Drawing 2 of 2).....	152
Rear Panel - 400/440V-480V (Drawing 1 of 2).....	154
Rear Panel - 400/440V-480V (Drawing 2 of 2).....	156
Steam Heating (Drawing 1 of 2).....	158
Steam Heating (Drawing 2 of 2).....	160
Washing Drum and Tub (Drawing 1 of 3).....	162
Washing Drum and Tub (Drawing 2 of 3).....	164
Washing Drum and Tub (Drawing 3 of 3).....	166
Drive.....	168
Bearing Housing.....	170
Elevated Base Frame.....	172
Soft Wash With Built-In Recirculation Pump - FX, IY, PY, SY and UY Models; CE.....	174
Soft Wash - Without Built-In Recirculation Pump.....	176
Liquid Soap Supply System - Pumps.....	178
Filter Tank.....	180

Cabinet Reinforcement without Soap Hopper.....	182
Two Water Inlet System without Soap Hopper	184
Three Water Inlet System without Soap Hopper.....	186
Wire Harnesses	188
Parts Index.....	189

Parts Ordering Information

If literature or replacement parts are required, contact the source from whom the machine was purchased or contact Alliance Laundry Systems at (920) 748-3950 for the name and address of the nearest authorized parts distributor.

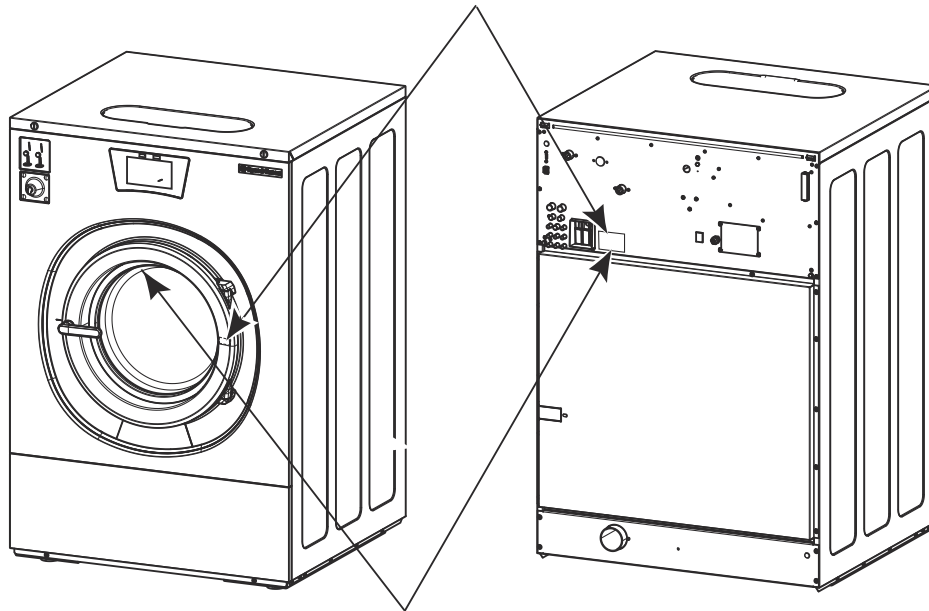
For technical assistance, call the number listed below:

(920) 748-3121 Ripon, Wisconsin

Serial Plate Location

When calling or writing about your product, be sure to mention model and serial numbers. Model and serial numbers are located on serial plate(s) as shown.

Serial Plate; Models Through May 15, 2019



Serial Plate; Models Starting May 16, 2019

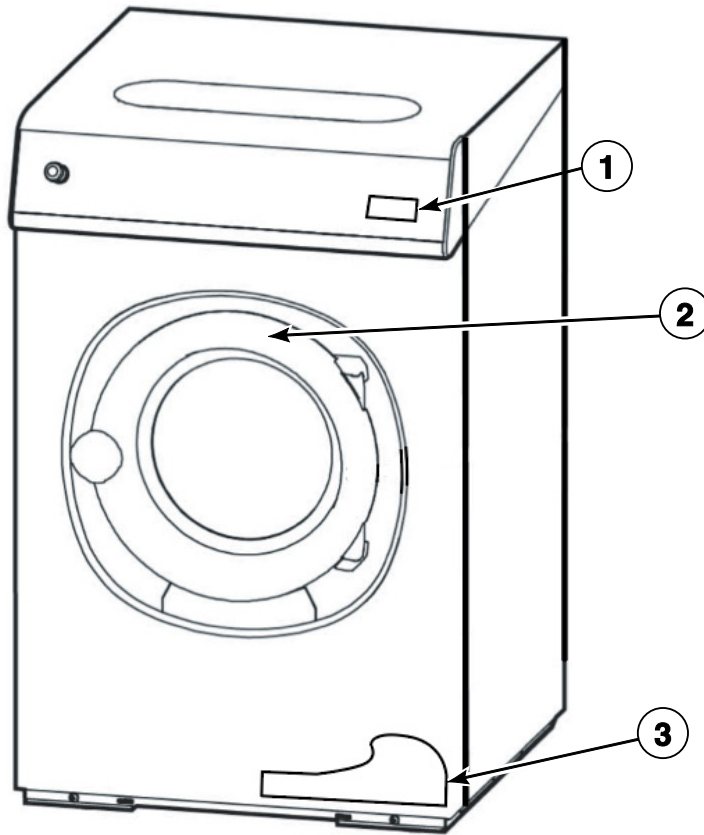
CFD3564P_D2410

Model Identification

Information in this manual is applicable to these washer-extractor models:

AF135_BASIC	IYA135V	NYA135V	SW135
AF135_PROFESSIONAL	IYC135J	NYC135T	SW15
AF135_X_CONTROL	IYC135R	NYC135V	SYC135A
AF135_X_CONTROL_PLUS	IYC135V	NYC135X	SYC135D
FX135_BUPA_X_CONTROL	IYE135J	NYE135T	SYE135A
FX135_BUPA_X_CONTROL_PLUS	IYE135R	NYE135X	SYE135D
FX135_X_CONTROL	IYE135V	NYH135T	SYG135A
FX135_X_CONTROL_PLUS	IYG135J	NYH135X	SYG135D
HX135_X_CONTROL	IYG135R	NYM135T	SYH135A
HX135_X_CONTROL_PLUS	IYH135J	NYM135X	SYH135D
HY135_HC-200	IYH135R	NYR135T	SYM135A
HY30_HC-200	IYM135J	NYR135X	SYM135D
IY135_ARIES	IYM135R	NYU135T	SYN030D
IY135_ARIES-ELITE	IYN030R	NYU135X	SYQ135A
IY135_EVOLIS	IYQ135J	NYX135T	SYQ135D
IY30_ARIES	IYQ135R	NYX135X	SYR135A
IY30_ARIES-ELITE	IYR135J	NYY135T	SYR135D
JLA30_ARIES	IYR135R	NYY135X	SYU135A
JLA30_ARIES-ELITE	IYR135V	PYA135V	SYU135D
JLA30C_ARIES	IYU135J	PYC135T	SYW135A
JLA30C_ARIES-ELITE	IYU135R	PYC135V	SYW135D
LPRFRAF135E	IYU135V	PYC135X	SYX135A
MWFX30_X_CONTROL	IYW135J	PYE135T	SYX135D
MWFX30_X_CONTROL_PLUS	IYX135J	PYE135V	SYX135D
PY135_X_CONTROL_FLEX	IYX135R	PYE135X	SYX135D
PY30_X_CONTROL	IYX135V	PYH135T	SYX135D
PY30_X_CONTROL_PLUS	IYY135J	PYH135X	SYX135D
QW15_X_CONTROL_PLUS	IYY135R	PYM135T	SYX135D
SY135_KIS_PHOTO-ME	JYC135J	PYM135X	SYX135D
SY135_QED	JYC135R	PYN030T	SYX135D
SY135_QED-SELECT	JYE135J	PYN030X	SYX135D
SY30_QED-SELECT	JYE135R	PYR135T	SYX135D
UY135_PROFORM	LYC135T	PYR135V	SYX135D
UY30_PROFORM	LYC135X	PYR135X	SYX135D
H135	LYE135T	PYU135T	SYX135D
HYC135F	LYE135X	PYU135V	SYX135D
HYE135F	LYH135T	PYU135X	SYX135D
HYG135F	LYH135X	PYX135T	SYX135D
HYH135F	LYU135T	PYX135V	SYX135D
HYM135F	LYU135X	PYX135X	SYX135D
HYN030F	LYX135T	PYY135T	SYX135D
HYQ135F	LYX135X	PYY135X	SYX135D
HYR135F	LYY135T		SYX135D
HYU135F	LYY135X		SYX135D
HYW135F			SYX135D
HYX135F			SYX135D

Logo Label

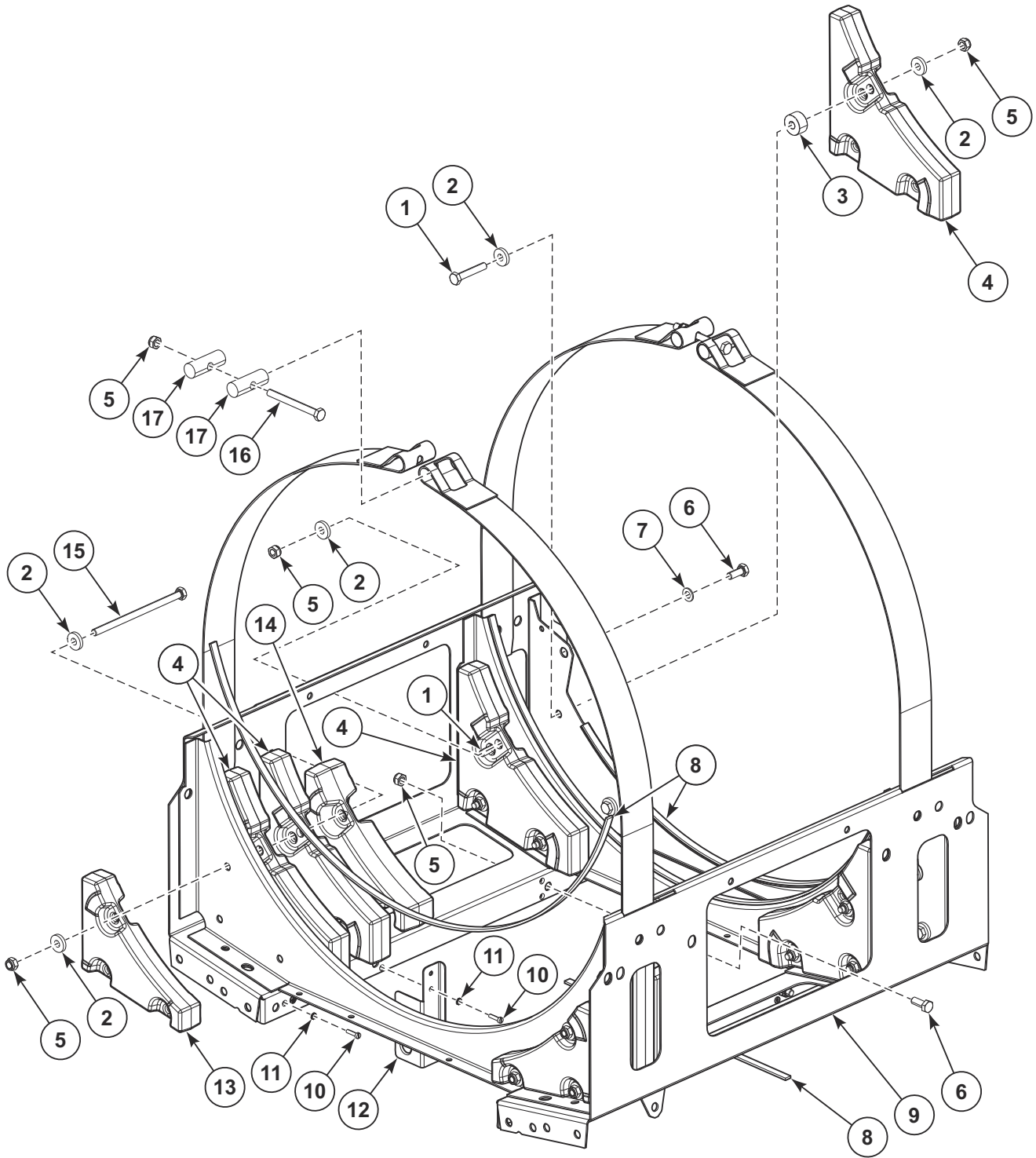


CFD3558P_D2410

Logo Label

REF	PART NO.	DESCRIPTION	COMMENTS
1	572486	Label	Lion Logo
2	576337	Label	ALSGEN
3	572487	Label	Softwash

Upper Frame

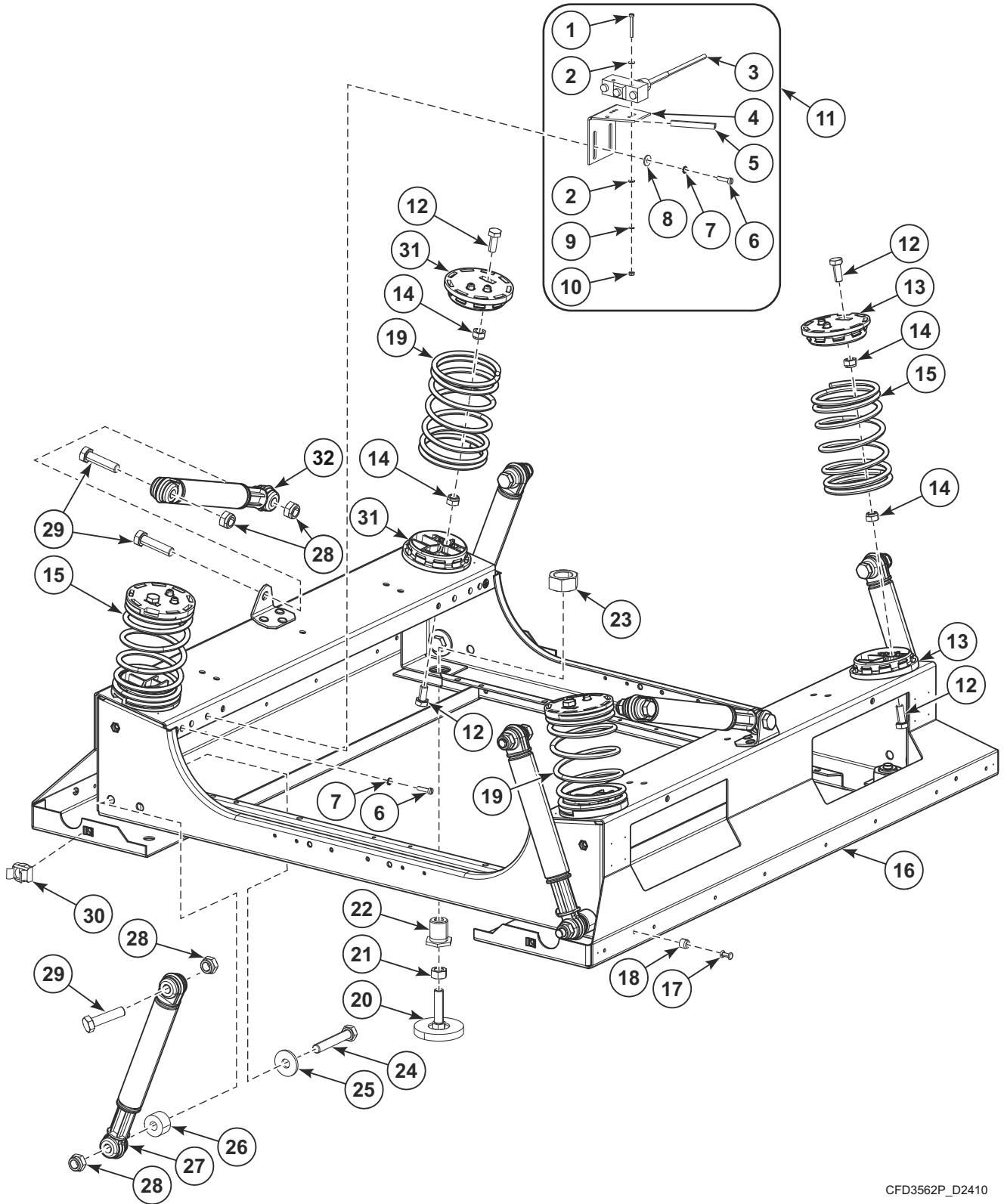


CZW116P_D2410

Upper Frame

REF	PART NO.	DESCRIPTION	COMMENTS
	SP245704003021	Adhesive	Used with external tub for fastening into frame
1	SP309933000845	Bolt	M8x45
2	SP525284	Washer	M8
3	SP515274	Distance Case	
4	SP533784	Lower Weight	
5	SP310985000008	Nut	M8
6	SP309933000820	Bolt	M8x20
7	SP311125000008	Washer	8.4
8	SP517232	Seal	
9	SP533776	Upper Frame	
10	SP309084000416	Bolt	M4x16
11	SP311679800004	Washer	M4
12	SP533388	Oscillation Limiter	
13	SP533737	Lower Weight	
14	SP533753	Lower Weight	
15	SP533717	Bolt	M8x150
16	SP309933000880	Bolt	M8x80
17	SP533738	Cover Strip Pin	

Lower Frame



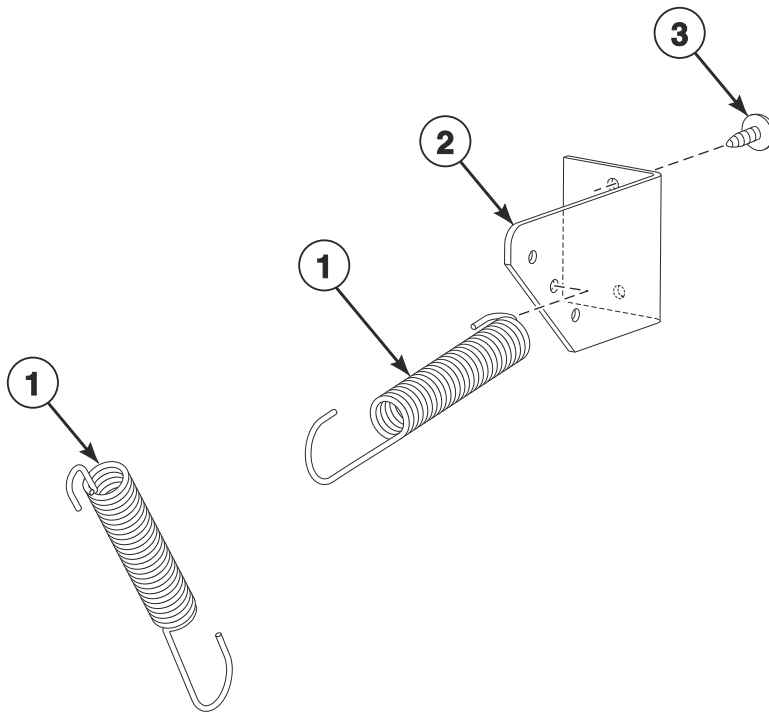
CFD3562P_D2410

Lower Frame

REF	PART NO.	DESCRIPTION	COMMENTS
1	SP309084240325	Bolt	M3x25
2	SP311125000003	Washer	3.2
3	SP528309	Microswitch	Includes spring
4	SP533387	Vibration Switch Holder	
5	SPPRI505000058	Profiled Sealing	
6	SP309084000416	Bolt	M4x16
7	SP311679800004	Washer	M4
8	SP311902100004	Washer	M4 - 4.3/12/1
9	SP311679800003	Washer	M3
10	SP310934000003	Nut	M3
11	SP533391	Vibration Switch Assembly	Includes items 1-10
12	SP309933000820	Bolt	M8x20
13	SP534977	Spring Holder	Right
14	SP310985000008	Nut	M8
15	SP533768	Spring	Right
16	SP533771	Lower Frame	
17	SP547779	Rivet	4x16.7
18	SP520408	Pin Insertion	
19	SP533769	Spring	Left
20	SPPRI504000001	Adjustable Foot	
21	SP310934000010	Nut	M10
22	SP533726	Bolt	
23	SP310934000020	Nut	M20
24	SP506432	Bolt	M10x60
25	SP311902100010	Washer	10
26	SP533727	Roller	
27	SP533716	Damper	4 required
28	SP310985000010	Nut	M10
29	SP527420	Bolt	M10x40
31	SP534978	Spring Holder	Left
30	SP510923	Nut	M6
32	SP533715	Damper	2 required

Stabilizing Spring - AF Non-Brand, H, HY, IY, J, LP, SY and UY Models

All models except models with G, H, J or K in 13th Position



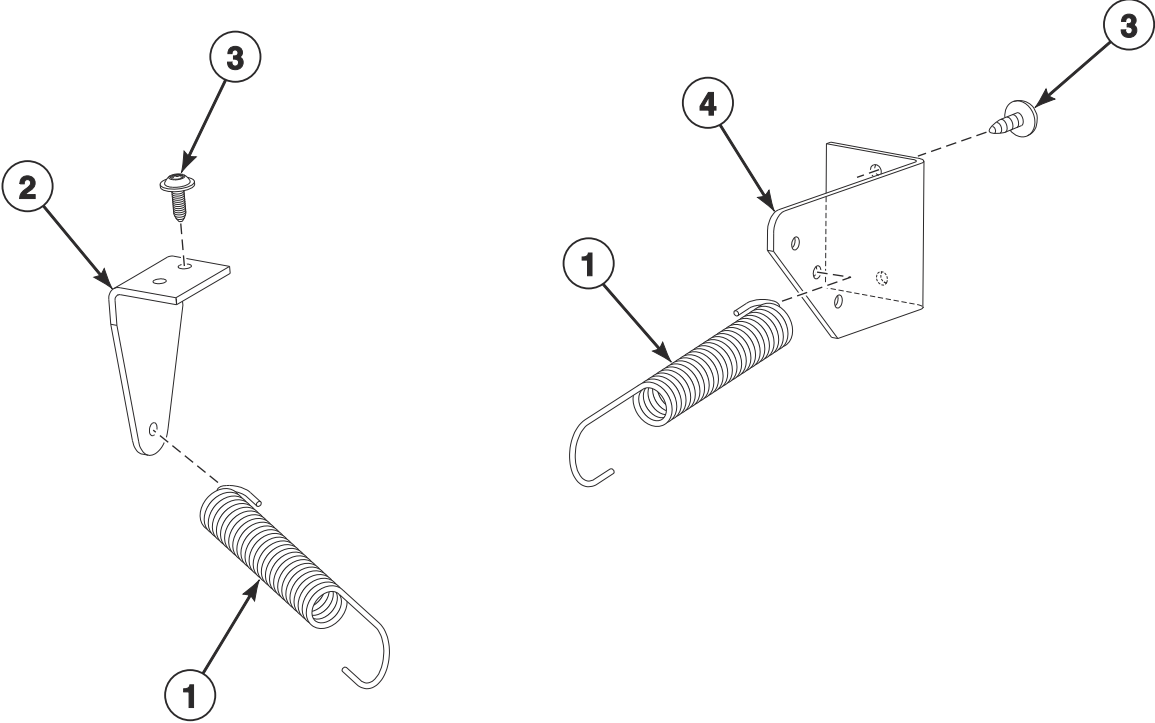
CFD2840P_D2410

Stabilizing Spring - AF Non-Brand, H, HY, IY, J, LP, SY and UY Models

REF	PART NO.	DESCRIPTION	COMMENTS
1	SP505372	Spring	
2	SP550449	Rear Spring Holder	
3	SP529206	Screw	4x11

Stabilizing Spring - AF, FX, HX, LY, MWF, PY, QW and SW Models

All models except models with H or K in 13th Position



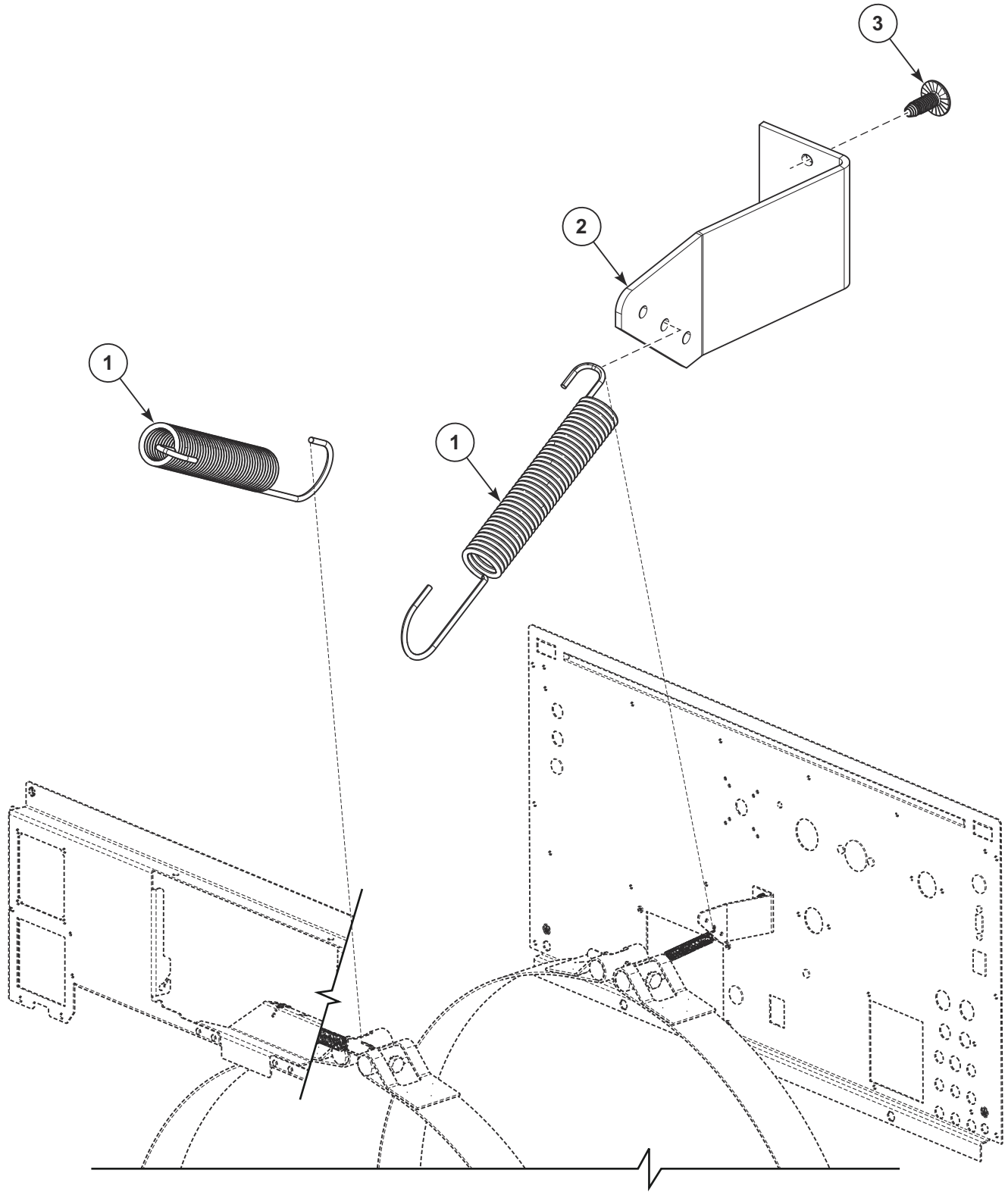
CFD2841P_D2410

Stabilizing Spring - AF, FX, HX, LY, MWF, PY, QW and SW Models

REF	PART NO.	DESCRIPTION	COMMENTS
1	SP505372	Spring	
2	SP550447	Front Spring Holder	
3	SP529206	Screw	4x11
4	SP550449	Rear Spring Holder	

Stabilizing Spring - AF, IY, and NY Models

Models with G, H, J or K in 13th Position



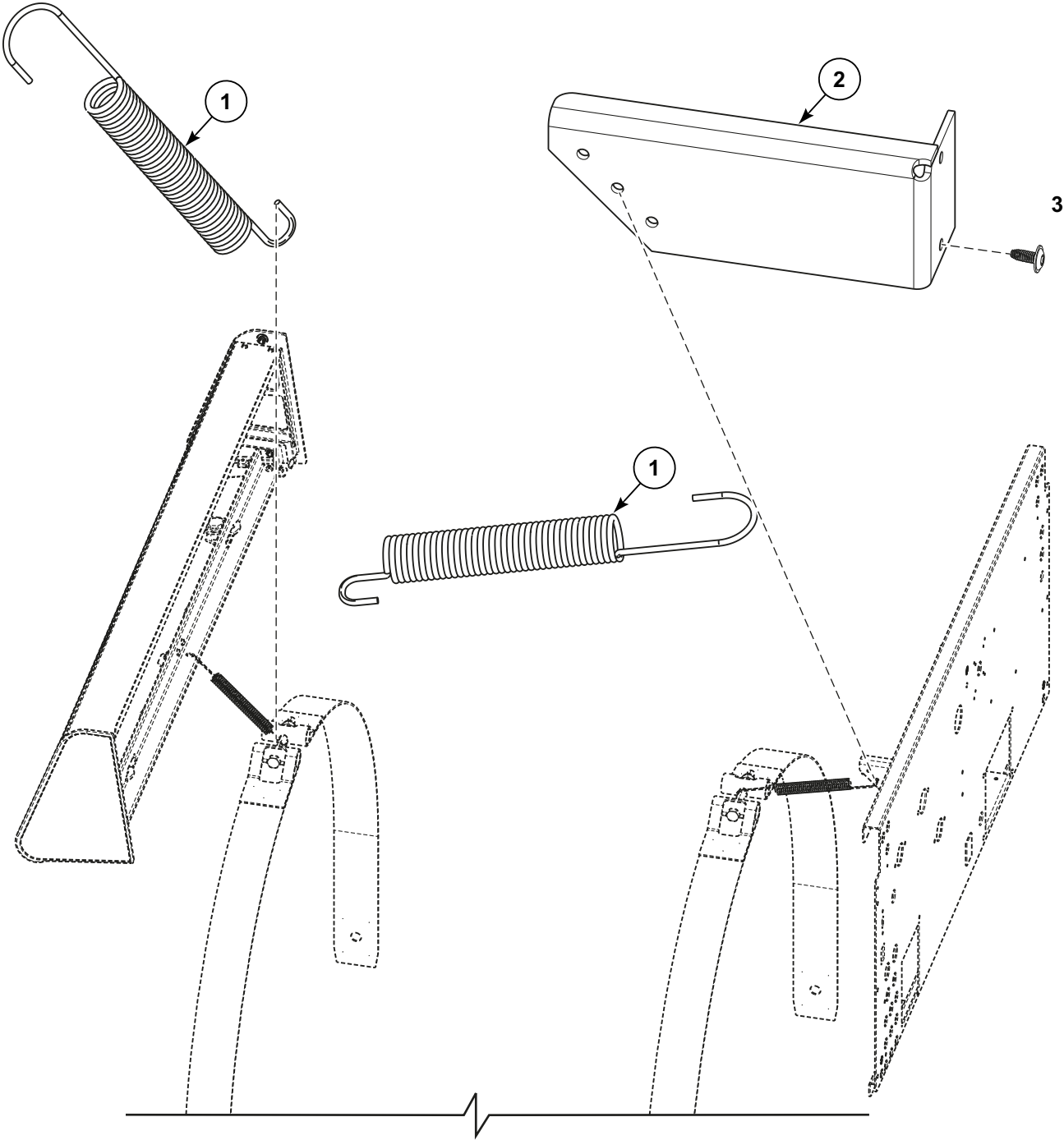
CZW147P_D2410

Stabilizing Spring - AF, IY, and NY Models

REF	PART NO.	DESCRIPTION	COMMENTS
1	SP505372	Spring	
2	SP550449	Rear Spring Holder	
3	SP529206	Screw	

Stabilizing Springs - FX and PY Models with X Control Flex

Models with H or K in 13th Position



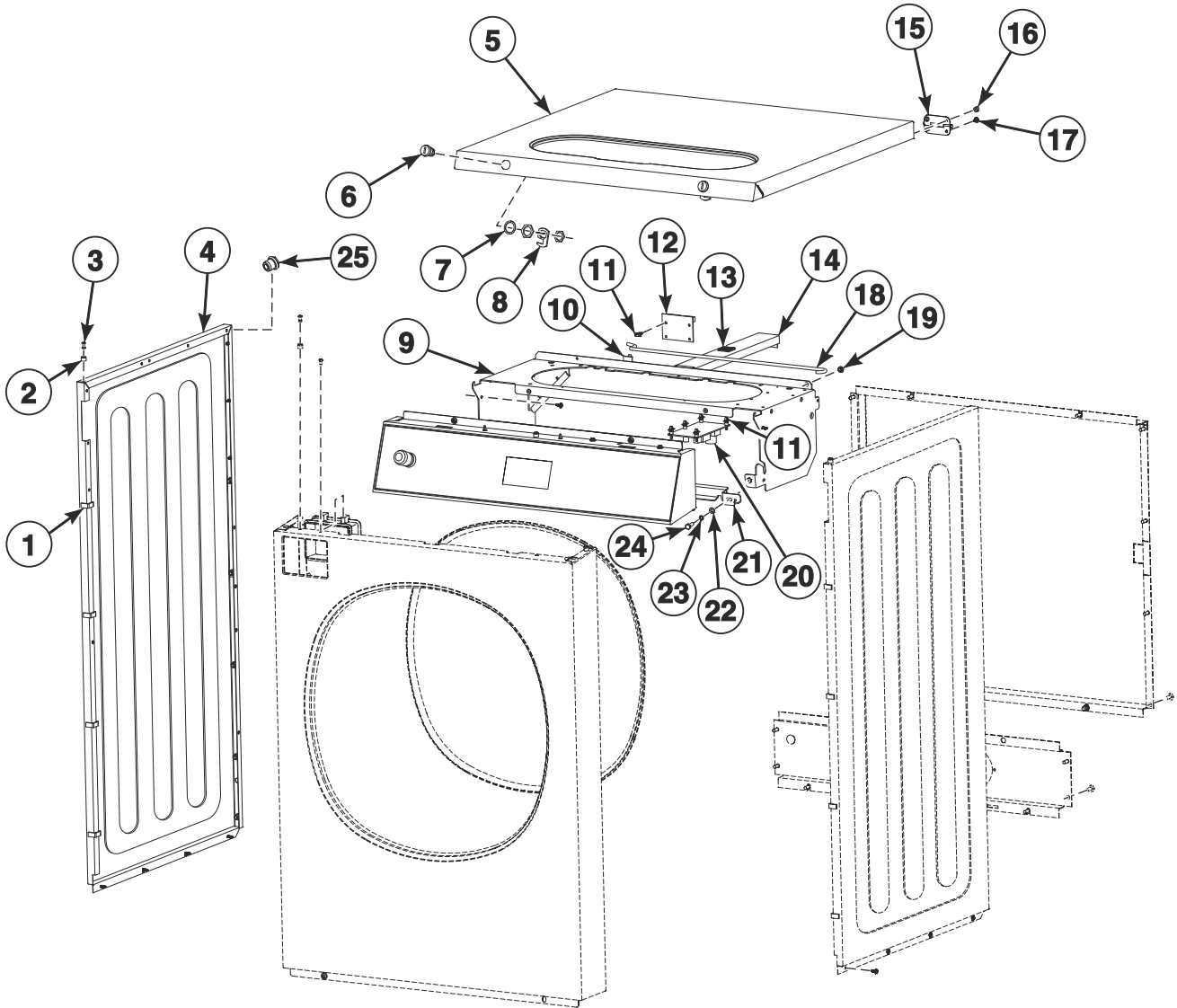
CZW343P_D2410

Stabilizing Springs - FX and PY Models with X Control Flex

REF	PART NO.	DESCRIPTION	COMMENTS
1	SP505372	Spring	
2	SP550449	Rear Spring Holder	
3	SP529206	Screw	4x11

Cabinet - AF Non-Brand, HY, LP, NY, SY and UY Models (Drawing 1 of 2)

All models except models with G, H, J or K in 13th Position



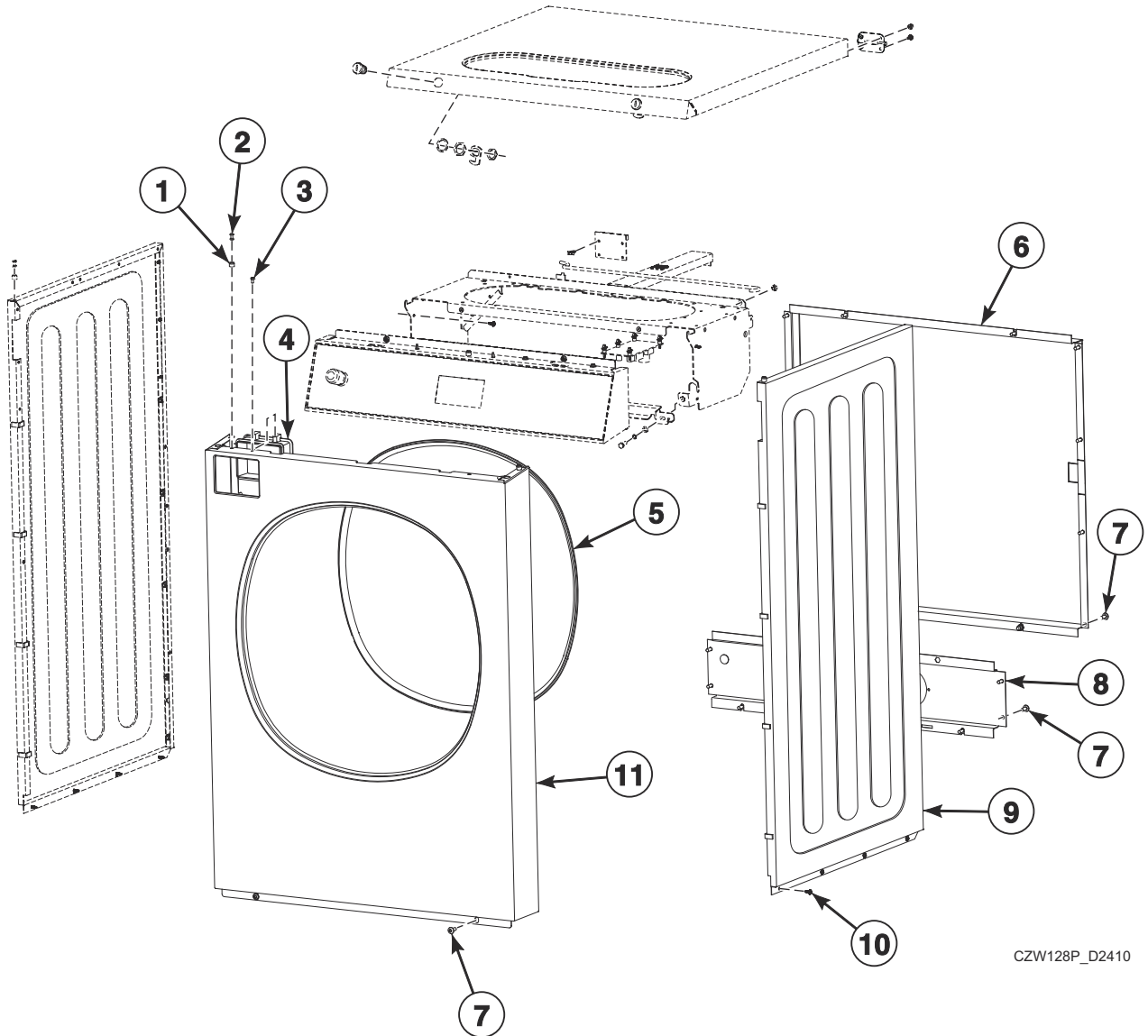
Cfd3566P_D2410

Cabinet - AF Non-Brand, HY, LP, NY, SY and UY Models (Drawing 1 of 2)

REF	PART NO.	DESCRIPTION	COMMENTS
1	SP517232	Seal	
2	SP520408	Pin Insertion	
3	SP547779	Rivet	4x16.7
4	SP557651	Side Panel	Left; Stainless
	563504	Side Panel	AF Non-Brand, LP and NY models; Left; Painted
5	SP557637	Top Cover	
	567875	Top Cover	Without soap hopper opening
	572482	Top Cover	Model SY135_KIS_PHOTO-ME
6	SP547527	Lock	
	SP550616	Key	Used with SP547527 Lock
	SP559362	Lock	Model SY135_KIS_PHOTO-ME
7	SPPRI522000012	Washer	21x27x1
8	SPPRI610002007	Hook Lock	Small
9	SP557621	Panel Holder	
10	SPPRI551016250	Hook	Stick-on
11	SPPRI326002004	Holder	
12	SP545238	Automatic Unlocking Module Assembly	MC6; Includes item 11, SP547004 Automatic Door Opening Module, SP345000160971 Binding Strip and SP545235 Door Timer Wiring
13	SP550115	Fastener	
14	SP547704	Top Cover Reinforcement	
15	SP516832	Hinge	
16	SP313250048008	Rivet	4.8x8
17	SP529206	Screw	4x11
18	SP533341	Upper Lid Prop	
19	SP273121005052	Cable Passage	5x2
20	SP552489	Automatic Unlocking Module Assembly	MC7; Includes item 11, SP553406 Automatic Door Opening Module, SP345000160971 Binding Strip, SP552455 Automatic Door Opening Module Wiring and SP552381 Power Terminal Protection
21	SP558880	Reinforcement	
22	SP311125000006	Washer	6.4
23	SP311127000006	Washer	6
24	SP309933000616	Bolt	M6x16
25	SP313251000006	Nut	M6

Cabinet - AF Non-Brand, HY, LP, NY, SY and UY Models (Drawing 2 of 2)

All models except models with G, H, J or K in 13th Position



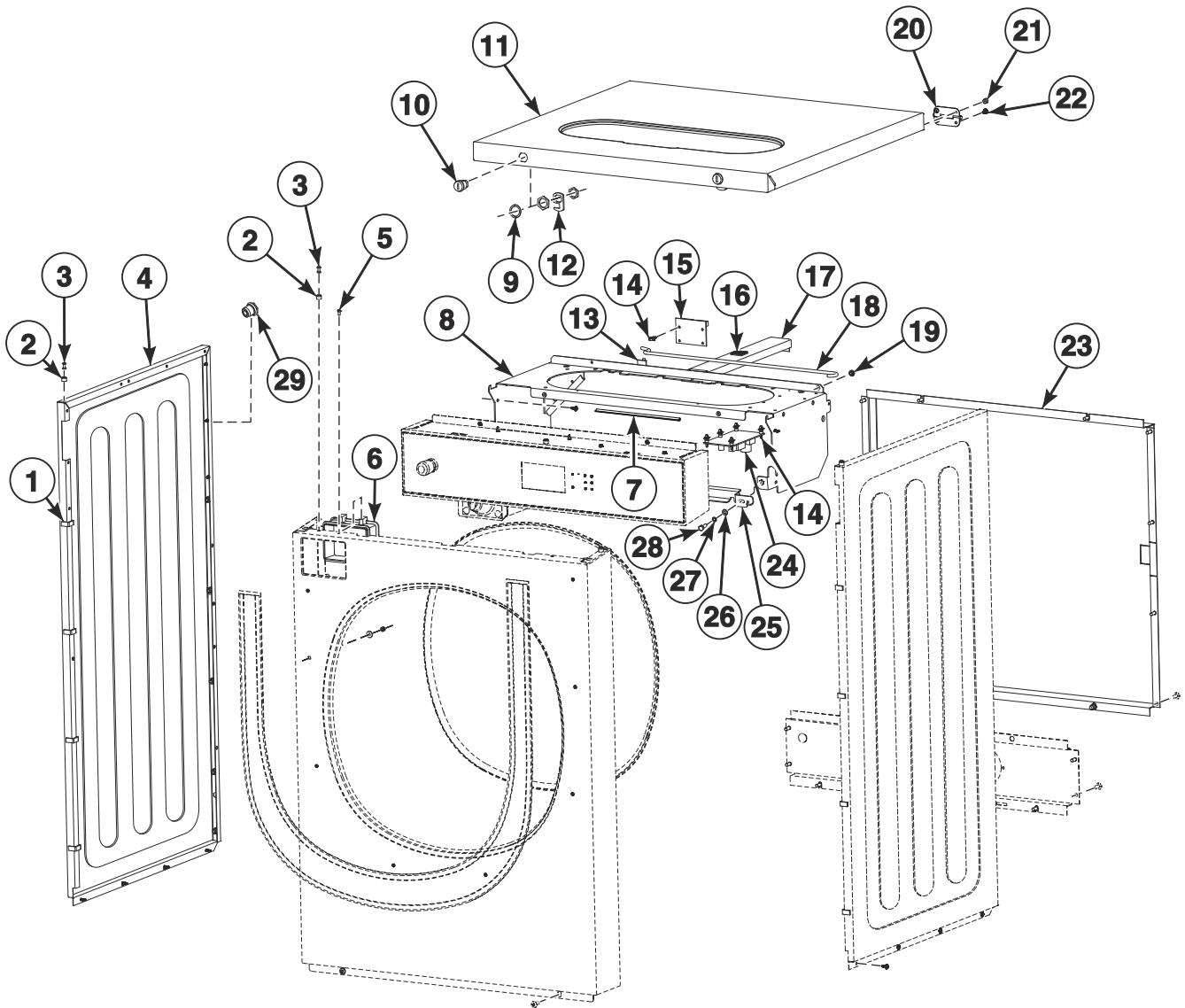
CZW128P_D2410

Cabinet - AF Non-Brand, HY, LP, NY, SY and UY Models (Drawing 2 of 2)

REF	PART NO.	DESCRIPTION	COMMENTS
1	SP520408	Pin Insertion	
2	SP547779	Rivet	4x16.7
3	SP309084000408	Bolt	M4x8
4	SP533103	Coin Vault Plate	
5	SP529068	Edge Protection	
6	SP533143	Rear Cover	
7	SP555658	Bolt	M6x16
8	SP533383	Lower Rear Cover	
9	SP557653	Side Panel	Right; Stainless
	563506	Side Panel	AF Non-Brand, LP and NY models; Right; Painted
10	SP529206	Screw	4x11
11	SP547752	Front Panel	OPL; Stainless
	SP547754	Front Panel	Vended; Stainless
	563458	Front Panel	AF Non-Brand, LP and NY models; OPL; Painted
	563460	Front Panel	AF Non-Brand, LP and NY models; Vended; Painted
	572472	Front Panel	Model SY135_KIS_PHOTO-ME; Stainless steel
	572474	Front Panel	Model SY135_KIS_PHOTO-ME; Stainless steel 316L
	550446	Washer	Not sliding accessories

Cabinet - H, IY and J Models (Drawing 1 of 2)

All Models except models with G, H, J or K in 13th Position



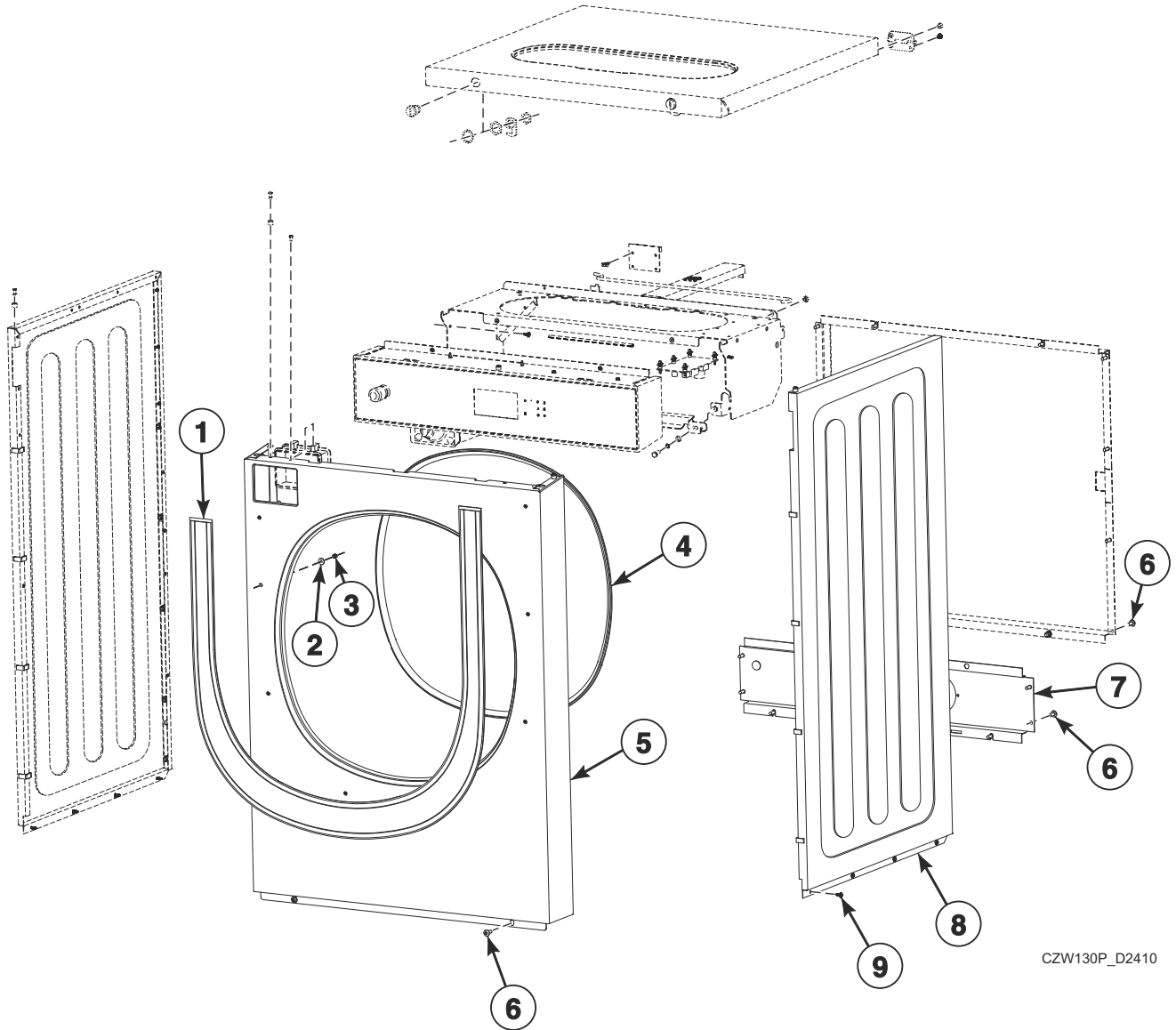
CFD3567P_D2410

Cabinet - H, IY and J Models (Drawing 1 of 2)

REF	PART NO.	DESCRIPTION	COMMENTS
1	SP517232	Seal	
2	SP520408	Pin Insertion	
3	SP547779	Rivet	4x16.7
4	SP557651	Side Panel	Stainless; Left
	SP558980	Side Panel	Black; Left
5	SP309084000408	Bolt	M4x8
6	SP533103	Coin Vault Plate	
7	SPPRI505000058	Profiled Sealing	Through Serial No. 135FX011287KZ
8	SP560302	Panel Holder	
9	SPPRI522000012	Washer	21x27x1
10	SP547527	Lock	
	SP550616	Key	Used with SP547527 Lock
11	SP558902	Top Cover	
12	SPPRI610002007	Hook Lock	Small
13	SPPRI551016250	Hook	Stick-on
14	SPPRI326002004	Holder	
15	SP545238	Automatic Unlocking Module Assembly	MC6; Includes item 14, SP547004 Automatic Door Opening Module, SP345000160971 Binding Strip and SP545235 Door Timer Wiring
16	SP550115	Fastener	
17	SP547704	Top Cover Reinforcement	
18	SP533341	Upper Lid Prop	
19	SP273121005052	Cable Passage	5x2
20	SP516832	Hinge	
21	SP313250048008	Rivet	4.8x8
22	SP529206	Screw	
23	SP533143	Rear Cover	
24	SP552489	Automatic Unlocking Module Assembly	MC7; Includes item 14, SP553406 Automatic Door Opening Module, SP345000160971 Binding Strip, SP552455 Automatic Door Opening Module Wiring and SP552381 Power Terminal Protection
25	SP558944	Reinforcement	
26	SP311125000006	Washer	6.4
27	SP311127000006	Washer	6
28	SP309933000616	Bolt	M6x16
29	SP313251000006	Nut	M6

Cabinet - H, IY and J Models (Drawing 2 of 2)

All Models except models with G, H, J or K in 13th Position



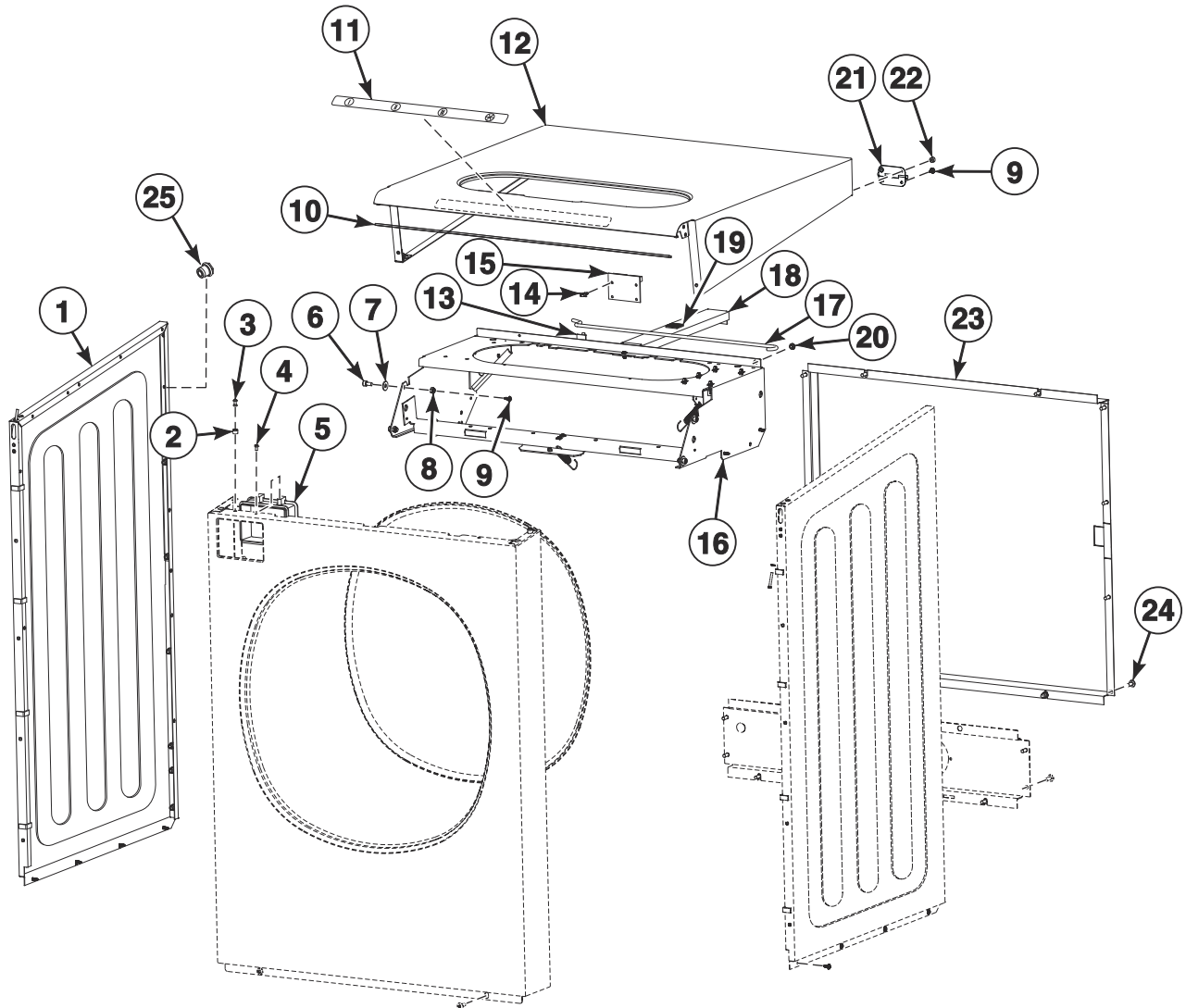
CZW130P_D2410

Cabinet - H, IY and J Models (Drawing 2 of 2)

REF	PART NO.	DESCRIPTION	COMMENTS
1	SP556983	U Shape	OPL
	SP556984	U Shape	Vended
2	SP311902100004	Washer	M4
3	SP514193	Nut	M4
4	SP529068	Edge Protection	
5	SP557056	Front Panel	OPL; Stainless
	SP557057	Front Panel	Vended; Stainless
	SP562724	Front Panel	J models; OPL
	SP562725	Front Panel	J models; Vended
	550446	Washer	Not sliding accessories
6	SP555658	Bolt	M6x16
7	SP533382	Lower Rear Cover	
8	SP557653	Side Panel	Stainless; Right
	SP558982	Side Panel	Black; Right
9	SP529206	Screw	

Cabinet - AF, FX, HX, LY, MWF, PY, QW and SW Models (Drawing 1 of 2)

All Models except models with H or K in 13th Position



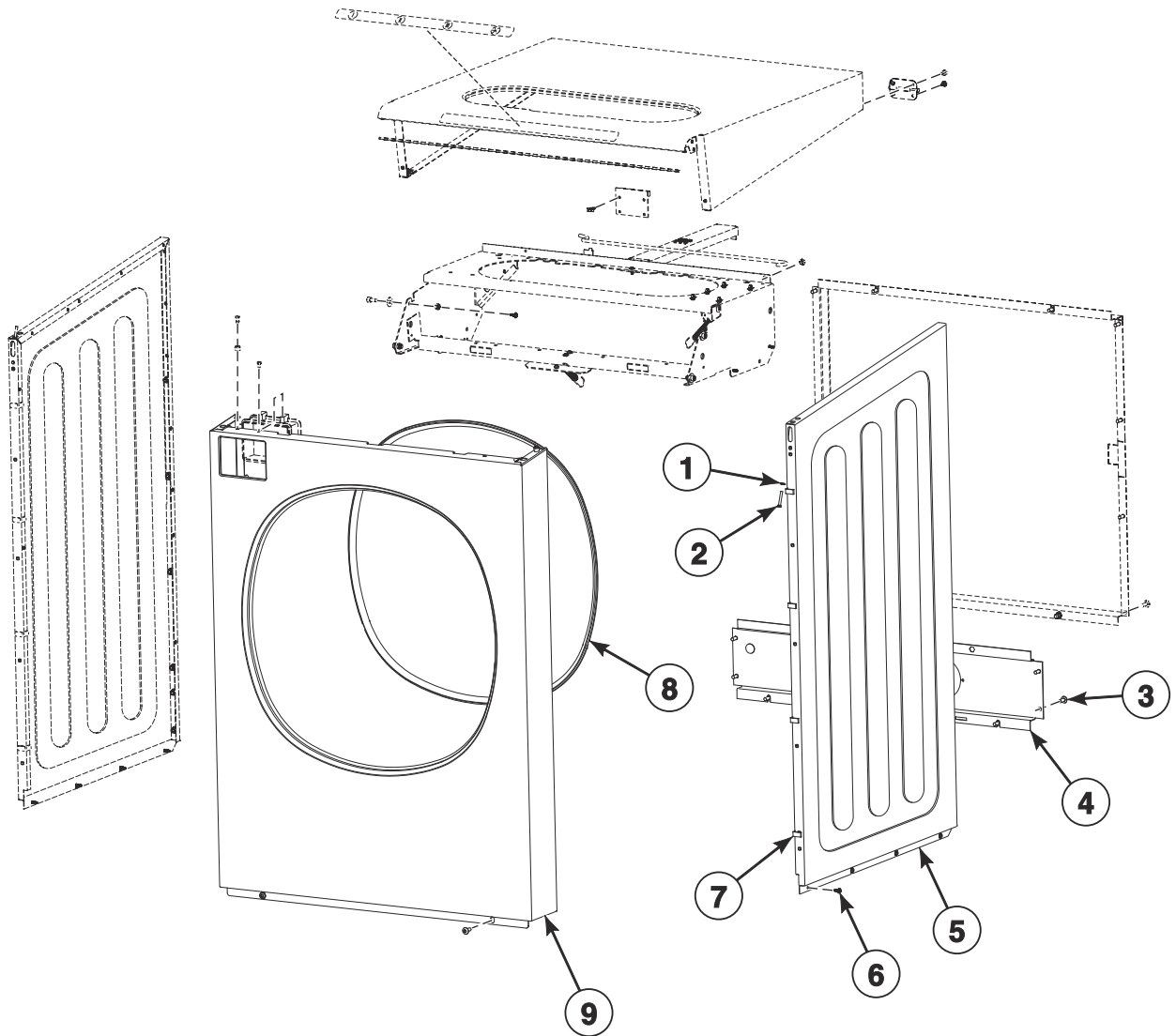
CFD3568P_D2410

Cabinet - AF, FX, HX, LY, MWF, PY, QW and SW Models (Drawing 1 of 2)

REF	PART NO.	DESCRIPTION	COMMENTS
1	SP550322	Side Panel	Painted; Left; Through Serial No. 135FX004386FD
	563476	Side Panel	Painted; Left; Starting Serial No. 135FX004387FD
	SP550346	Side Panel	Stainless; Left
2	SP520408	Pin Insertion	
3	SP547779	Rivet	4x16.7
4	SP309084000408	Bolt	M4x8
5	SP533103	Coin Vault Plate	
6	SP506431	Bolt	M6x12
7	SP311902100006	Washer	6
8	SP310985000006	Nut	M6
9	SP529206	Screw	4x11
10	SP284000012003	Tape	
11	SP560786	Label	Soap Hopper; CSA
12	SP550305	Top Cover	
	SP551995	Top Cover	Without soap hopper opening
13	SPPRI551016250	Hook	Stick-on
14	SPPRI326002004	Holder	
15	SP545238	Automatic Unlocking Module Assembly	MC6; Includes item 14, SP547004 Automatic Door Opening Module, SP345000160971 Binding Strip and SP545235 Door Timer Wiring
	SP552489	Automatic Unlocking Module Assembly	MC7; Includes item 14, SP553406 Automatic Door Opening Module, SP345000160971 Binding Strip, SP552455 Automatic Door Opening Module Wiring and SP552381 Power Terminal Protection
16	SP533293	Panel Holder	
17	SP533341	Upper Lid Prop	
18	SP547704	Top Cover Reinforcement	
19	SP550115	Fastener	
20	SP273121005052	Cable Passage	5x2
21	SP516832	Hinge	
22	SP555658	Bolt	M6x16
23	SP533143	Rear Cover	
24	SP313250048008	Rivet	4.8x8
25	SP313251000006	Nut	M6

Cabinet - AF, FX, HX, LY, MWF, PY, QW and SW Models (Drawing 2 of 2)

All Models except models with H or K in 13th Position



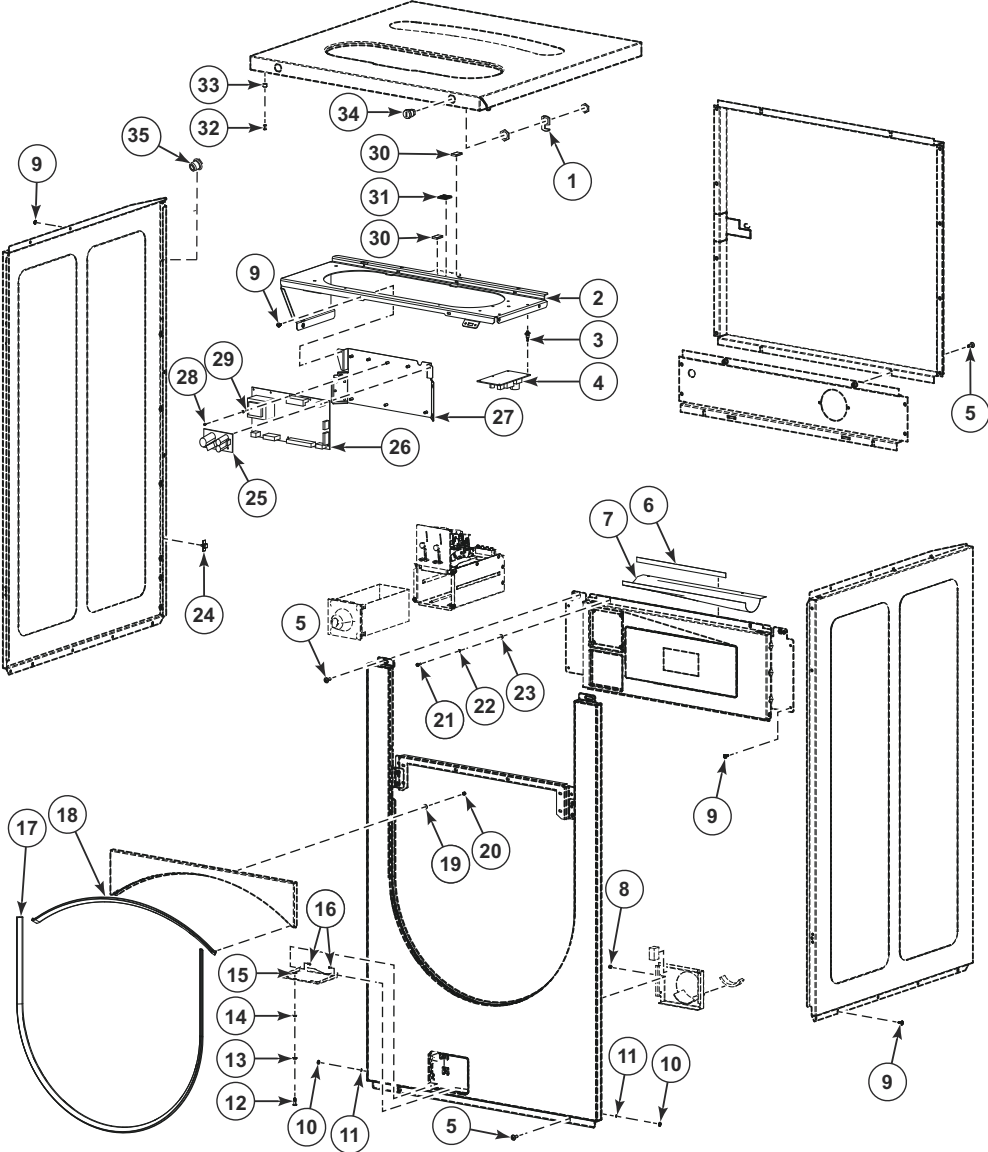
CZW132P_D2410

Cabinet - AF, FX, HX, LY, MWF, PY, QW and SW Models (Drawing 2 of 2)

REF	PART NO.	DESCRIPTION	COMMENTS
	SP552455	Automatic Door Opening Module Wiring	
1	SP311679800004	Washer	M4
2	SP550482	Bolt	M4x25
3	SP555658	Bolt	M6x16
4	SP533383	Lower Rear Cover	
5	SP550324	Side Panel	Painted; Right; Through Serial No. 135FX004386FD
	563478	Side Panel	Painted; Right; Starting Serial No. 135FX004387FD
	SP550348	Side Panel	Stainless; Right
6	SP529206	Screw	4x11
7	SP517232	Seal	
8	SP529068	Edge Protection	
9	SP547744	Front Panel	OPL; Painted; Through Serial No. 135FX004386FD
	563458	Front Panel	OPL; Painted; Starting Serial No. 135FX004387FD
	SP547746	Front Panel	Vended; Painted; Through Serial No. 135FX004386FD
	563460	Front Panel	Vended; Painted; Starting Serial No. 135FX004387FD
	SP547752	Front Panel	OPL; Stainless
	SP547754	Front Panel	Vended; Stainless
	550446	Washer	Not sliding accessories

Cabinet - AF, IY and NY Models (Drawing 1 of 3)

Models with G, H, J or K in 13th Position



CFD3569P_D2410

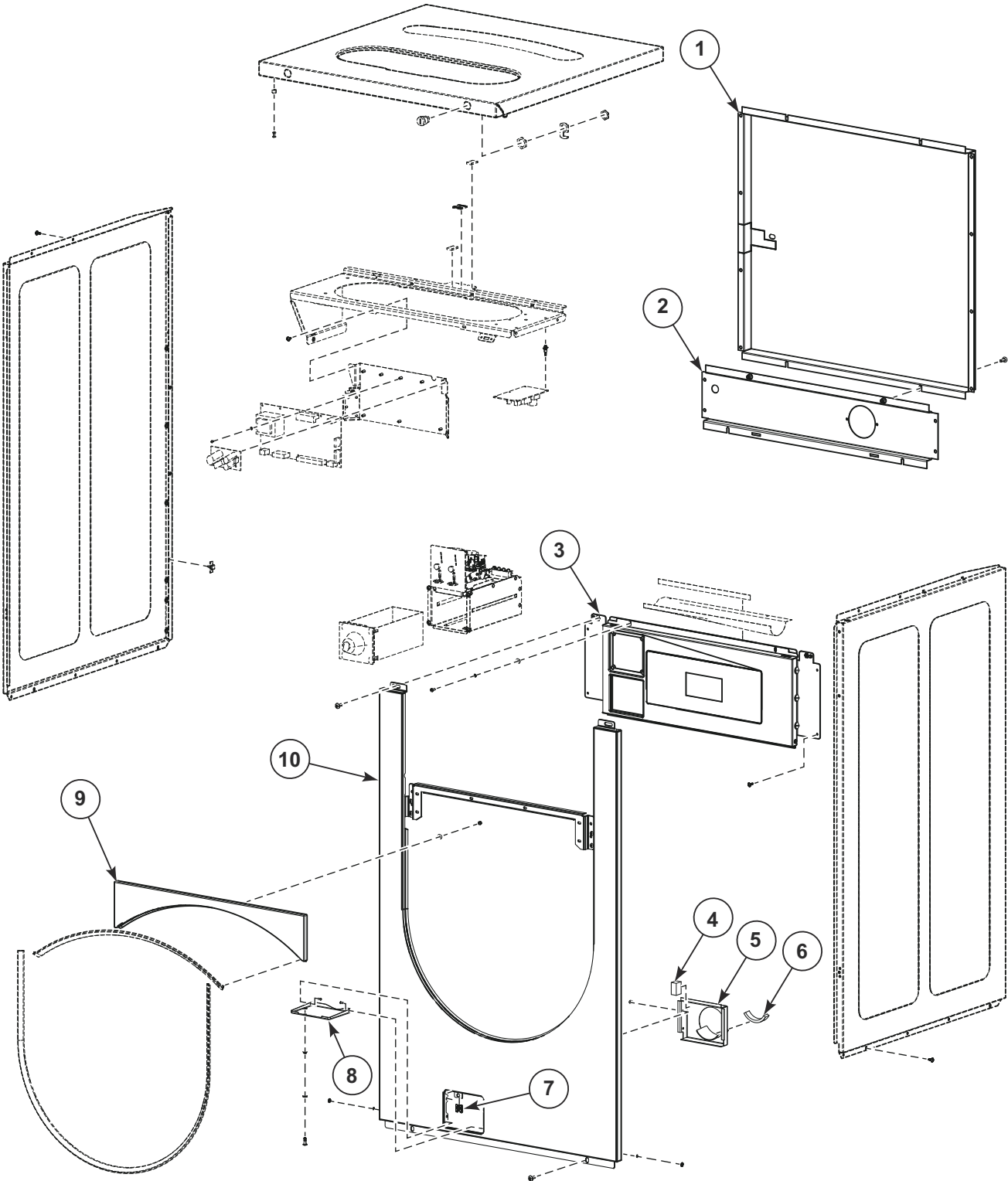
Cabinet - AF, IY and NY Models (Drawing 1 of 3)

REF	PART NO.	DESCRIPTION	COMMENTS
1	SPPRI610002007	Hook Lock	
2	567960	Panel Holder	
3	SPPRI326002004	Holder	
4	SP552489	Automatic Unlocking Module Assembly	MC7; Includes item 3, SP553406 Automatic Door Opening Module, SP345000160971 Binding Strip, SP552455 Automatic Door Opening Module Wiring and SP552381 Power Terminal Protection
5	SP555658	Bolt	M6x16
6	SP537896	Adhesive	Reversible
7	569656	Cover	
8	SP313250004063	Rivet	4x6.3
9	SP529206	Screw	4x11
10	PRI247000013	Washer	
11	SP527021	Washer	
12	SP527084	Bolt	
13	SP527087	Washer	
14	SP527086	Spring	
15	SP527085	Ring	
16	SP521706	Rivet	
17	SP529068	Edge Protection	1.6m
18	SP529068	Edge Protection	0.66m
19	SP311902100004	Washer	4
20	SP514193	Nut	M4
21	SP555504	Bolt	M4x12
22	SP311127000004	Washer	4
23	SP311902100004	Washer	M4
24	SP528313	Cable Holder	
25	N/A	Module	Door Lock
26	SP553405	Control Board Power	MC7; Power
	575630	Control Board	MC10; Power
27	569578	Programmer Holder	Includes SPPRI212000055 Nut
28	SP309798500306	Bolt	M3x6
29	SP311679800003	Washer	M3
30	564202	Seal	0.05m
31	SP550115	Fastener	
32	SP547779	Rivet	
33	SP520408	Pin Insertion	
34	SP547527	Lock	includes Nuts - 2pieces
35	SP313251000006	Nut	M6x16

N/A = Part no longer available

Cabinet - AF, IY and NY Models (Drawing 2 of 3)

Models with G, H, J or K in 13th Position



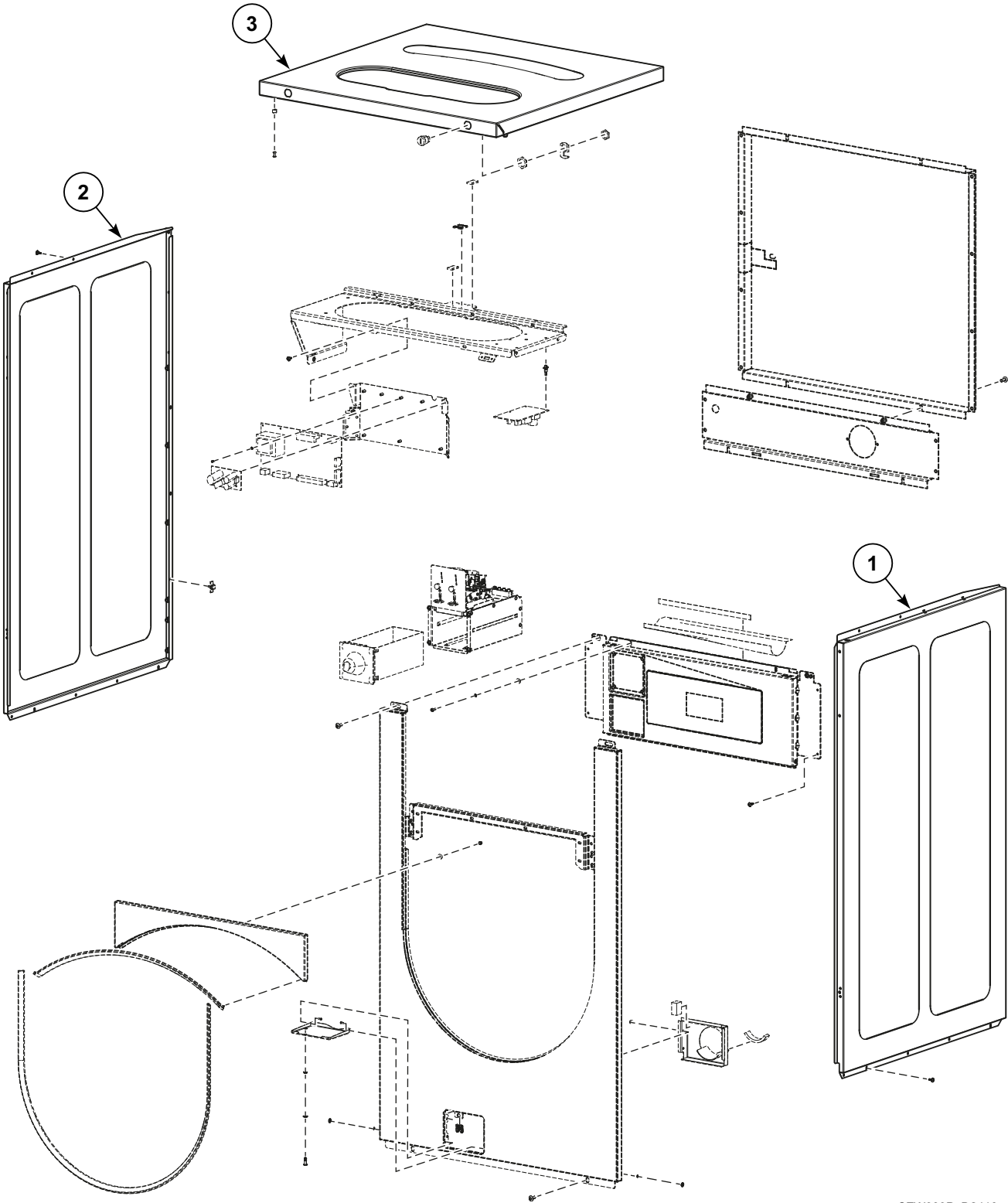
CZW280P_D2410

Cabinet - AF, IY and NY Models (Drawing 2 of 3)

REF	PART NO.	DESCRIPTION	COMMENTS
1	570468	Rear Cover	
2	SP533383	Lower Rear Cover	
3	573025	Control Panel Frame	
4	SP527088	Profile	15x30
5	SP527088	Drain Cover	
6	522450	Profile	15x6
7	SP527083	Latch	
8	SP521511	Drain Pump Cover	
9	573014	Front Cover	Stainless steel
	SP564368	Front Cover	IY models; Black
10	571073	Front Panel	Stainless steel
	574091	Front Panel	AF and NY models; Gray
	550446	Washer	Not sliding accessories

Cabinet - AF, IY and NY Models (Drawing 3 of 3)

Models with G, H, J or K in 13th Position



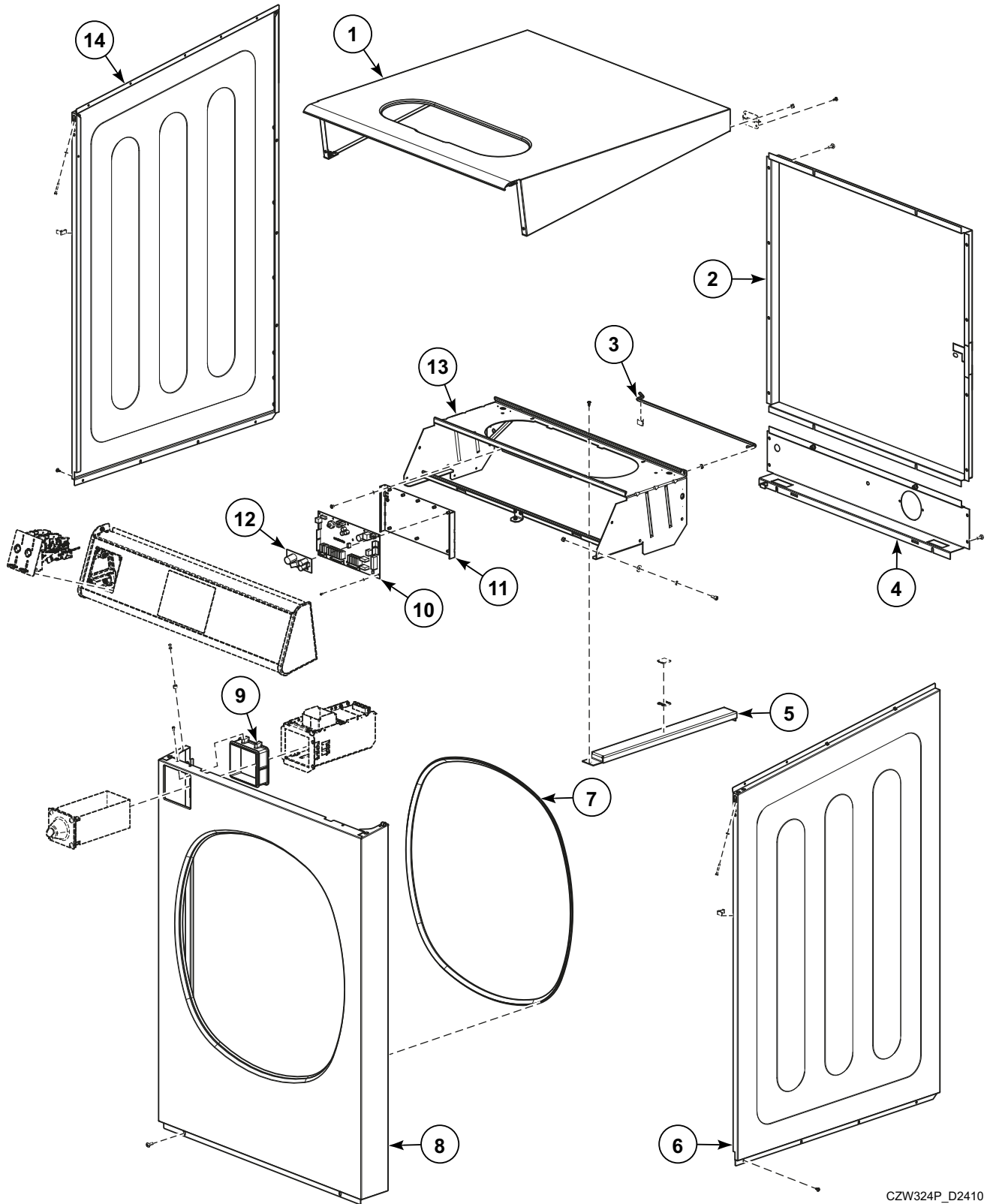
CZW303P_D2410

Cabinet - AF, IY and NY Models (Drawing 3 of 3)

REF	PART NO.	DESCRIPTION	COMMENTS
1	572002	Side Panel	Stainless; Right; Includes SP313251000006 Nut
	573048	Side Panel	IY models; Black; Right; Includes SP313251000006 Nut
	574064	Side Panel	AF and NY models; Gray; Right; Includes SP313251000006 Nut
2	572001	Side Panel	Stainless; Left; Includes SP313251000006 Nut
	574063	Side Panel	AF and NY models; Gray; Left; Includes SP313251000006 Nut
	573046	Side Panel	IY models; Black; Left; Includes SP313251000006 Nut
3	567992	Top Cover	Includes SP547527 Lock, SP550616 Key, SPPRI610002007 Hook Lock, SP520408 Pin Insertion, SP547779 Rivet and SP550115 Fastener
	569647	Top Cover	Without soap hopper opening, Includes SP547527 Lock, SP550616 Key, SPPRI610002007 Hook Lock, SP520408 Pin Insertion, SP547779 Rivet and SP550115 Fastener

Cabinet - PY Models (Drawing 1 of 2)

Models with H or K in 13th Position



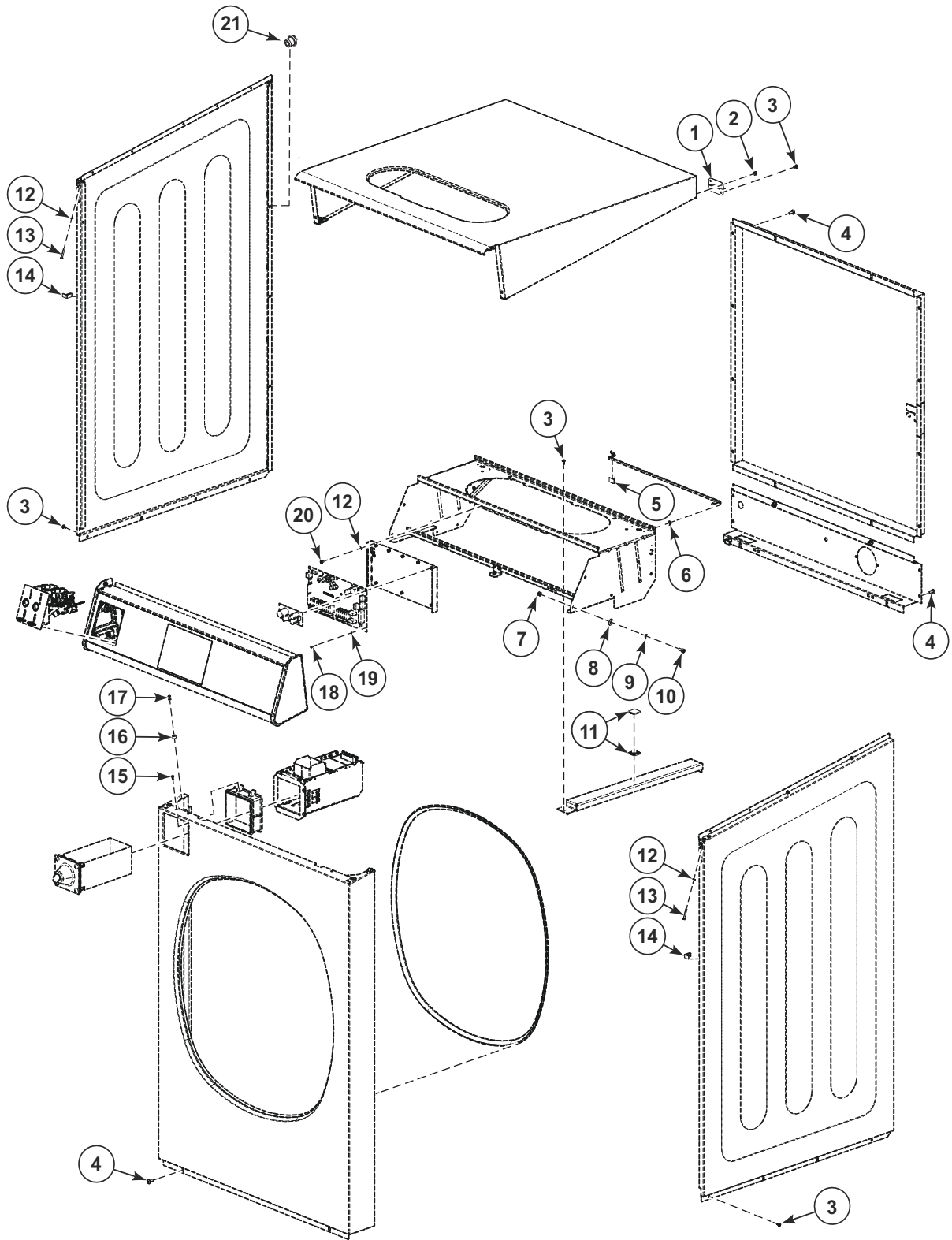
CZW324P_D2410

Cabinet - PY Models (Drawing 1 of 2)

REF	PART NO.	DESCRIPTION	COMMENTS
1	574204	Top Cover	
	574253	Top Cover	Without soap hopper opening
2	570468	Rear Cover	
3	SP533341	Upper Lid Prop	
4	SP533383	Lower Rear Cover	
5	SP547704	Top Cover Reinforcement	
6	574143	Side Panel Assembly	Painted; Right
	574144	Side Panel Assembly	Stainless; Right
7	SP529068	Edge Protection	2.06m
8	572537	Front Panel	OPL; Painted
	572538	Front Panel	Vended; Painted
	572535	Front Panel	OPL; Stainless
	572536	Front Panel	Vended; Stainless
	550446	Washer	Not sliding accessories
9	566737	Coin Vault Plate	
10	575630	Control Board	MC10; Power; Used with 547089 Interconnection Flat Cable
11	573934	Programmer Holder	Includes 527279 Nut
12	553189	Module	Door Lock
13	573938	Panel Holder	
14	574147	Side Panel Assembly	Painted; left
	574148	Side Panel Assembly	Stainless; Left

Cabinet - PY Models (Drawing 2 of 2)

Models with H or K in 13th Position



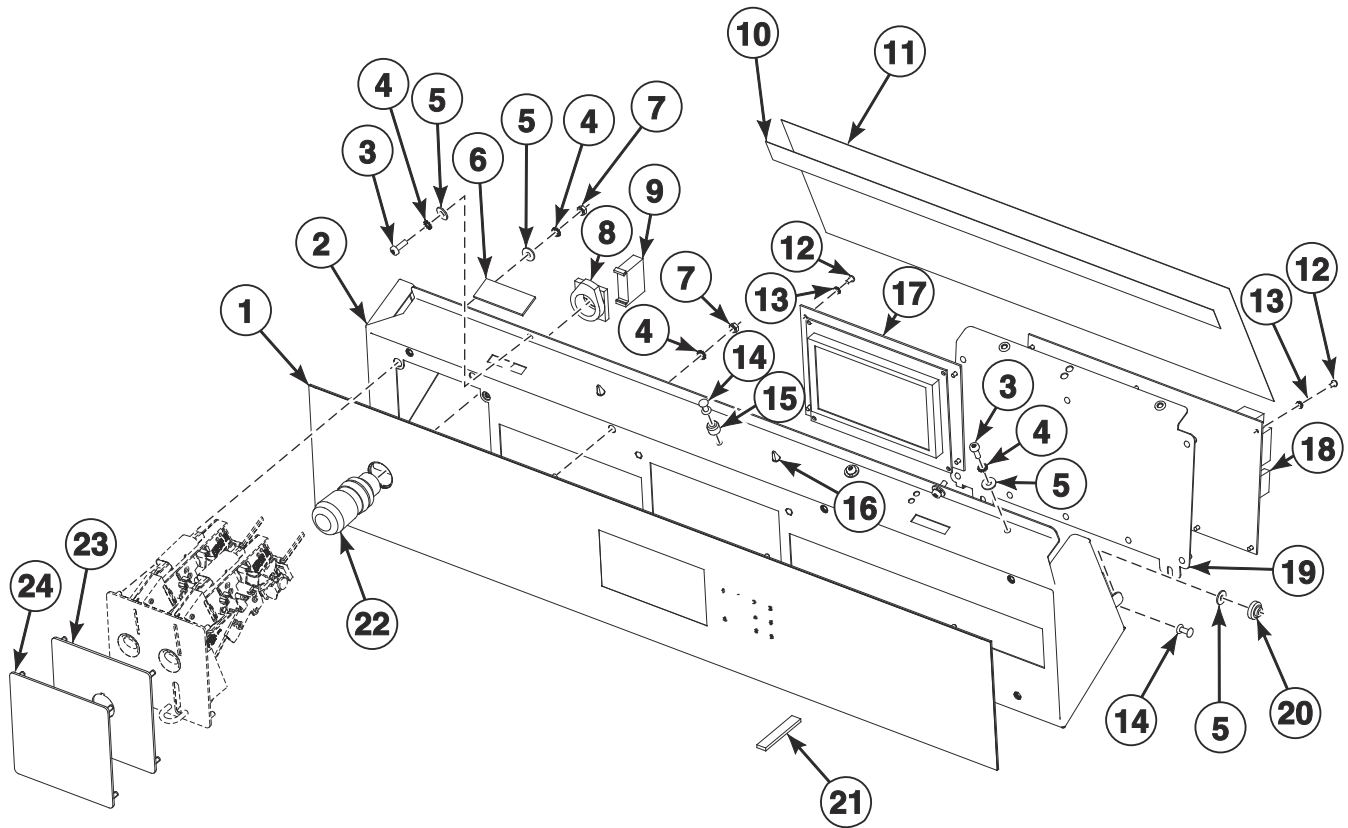
CZW325P_D2410

Cabinet - PY Models (Drawing 2 of 2)

REF	PART NO.	DESCRIPTION	COMMENTS
1	SP516832	Hinge	
2	SP313250048103	Rivet	
3	SP529206	Screw	4x11
4	SP555658	Bolt	M6x16
5	SPPRI551016250	Hook	Stick-on
6	SP273121005052	Cable Passage	5.5x2
7	SP310985000006	Nut	M6x16
8	SP311902100006	Washer	6
9	576338	Washer	
10	SP506431	Bolt	M6x12
11	SP550115	Fastener	
12	SP311679800004	Washer	M4
13	SP550482	Bolt	M4x12
14	SP517232	Seal	
15	SP309084000408	Bolt	M4x8
16	SP520408	Pin Insertion	
17	SP547779	Rivet	4x16.7
18	SP309798500306	Bolt	M3x6
19	SP311679800003	Washer	M3
20	SP506013	Bolt	M4x8
21	SP313251000006	Nut	M6

Control Panel - AF Non-Brand, HY, LP, NY, SY and UY Models (Drawing 1 of 5)

All models except models with G, H, J or K in 13th Position



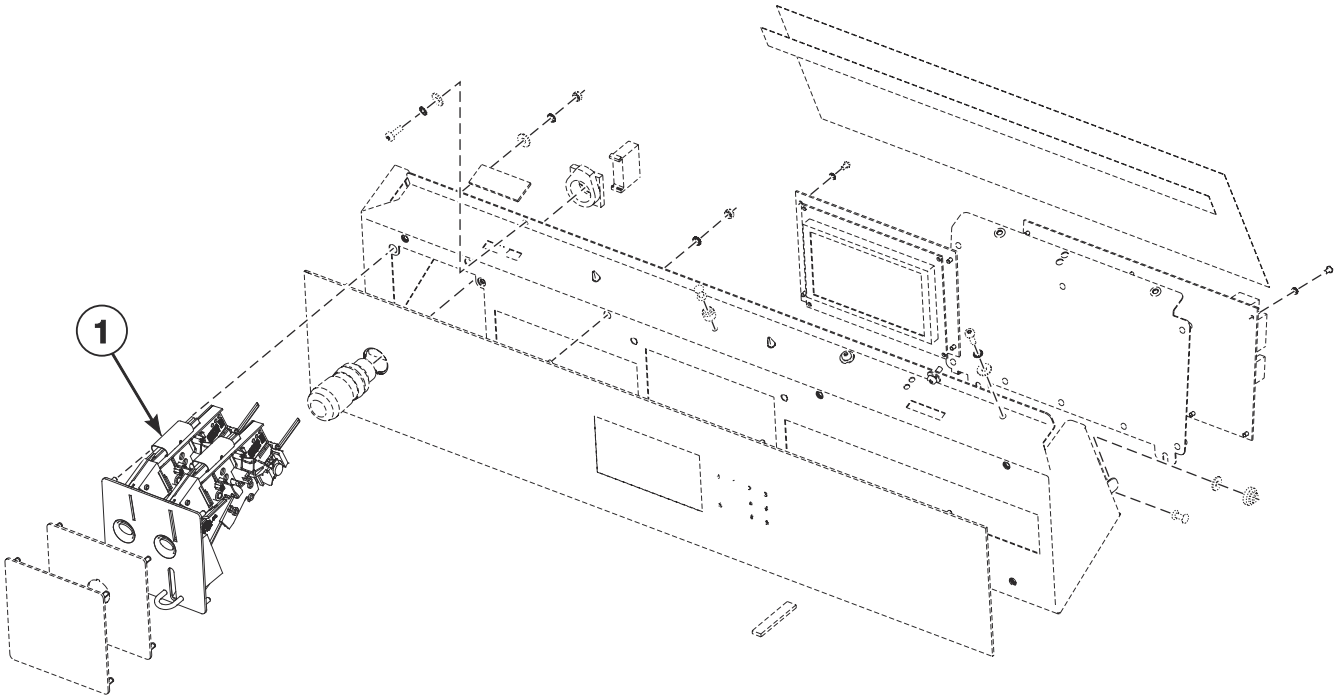
CFD2893P_D2410

Control Panel - AF Non-Brand, HY, LP, NY, SY and UY Models (Drawing 1 of 5)

REF	PART NO.	DESCRIPTION	COMMENTS
	569593	Network Installation Kit	Includes 569595 Holder, 203532 Wireless Network Control Assembly, 568363 Power Supply, 568362 Cable, 568378 Wiring, 568379 Wiring Diagram, SP345000626088 Binding Strip and connection accessories
	F8600501	Programming Cable	
1	SP557580	Keyboard	UY models; OPL
	SP557575	Keyboard	SY models; OPL
	SP557576	Keyboard	SY models; Vended
	SP557583	Keyboard	HY models; OPL
	SP547026	Keyboard	AF Non-Brand, LP and NY models; OPL; Professional; Black
	SP547025	Keyboard	AF Non-Brand, LP and NY models; OPL; Basic; Black
	SP547023	Keyboard	AF Non-Brand, LP and NY models; Vended; Basic; Black
	SP547024	Keyboard	SY135_KIS_PHOTO-ME, AF Non-Brand, LP and NY models; CPS; Basic; Black
2	SP557614	Control Panel	
3	SP555504	Bolt	M4x12
4	SP311679800004	Washer	M4
5	SP311902100004	Washer	M4
6	SPMEC001410	Self-Adhesive Pad	
7	SP310934000004	Nut	M4
8	SP528311	Emergency Stop Connector	OPL
9	SP528312	Switching Unit	
10	SP510846	Tape	
11	SPPRI543000004	Cover	
12	SP309798500306	Bolt	M3x6
13	SP311679800003	Washer	M3
14	SP547779	Rivet	4x16.7
15	SP520408	Pin Insertion	
16	SP528313	Cable Holder	
17	SP553412	Control Board	MC7; HY, SY, SY135_KIS_PHOTO-ME and UY models
	SP553411	Control Board	AF Non-Brand, LP and NY models; MC7
18	SP553405	Control Board Power	MC7
	SP547005	Board Interconnection Cable	
19	SP557618	Programmer Holder	
20	SP550113	Leading Pin	
21	SP284000012003	Tape	
22	SP528310	Emergency Stop Knob	OPL
	SP520032	Emergency Stop Wiring	OPL
	SP520033	Emergency Stop Interconnection	Vended
23	SP558929	Coin Meter Cover Plate	SY models; Black
24	SP558930	CPS Cover Plate	SY models; Black

Control Panel - AF Non-Brand, HY, LP, NY, SY and UY Models (Drawing 2 of 5)

All models except models with G, H, J or K in 13th Position



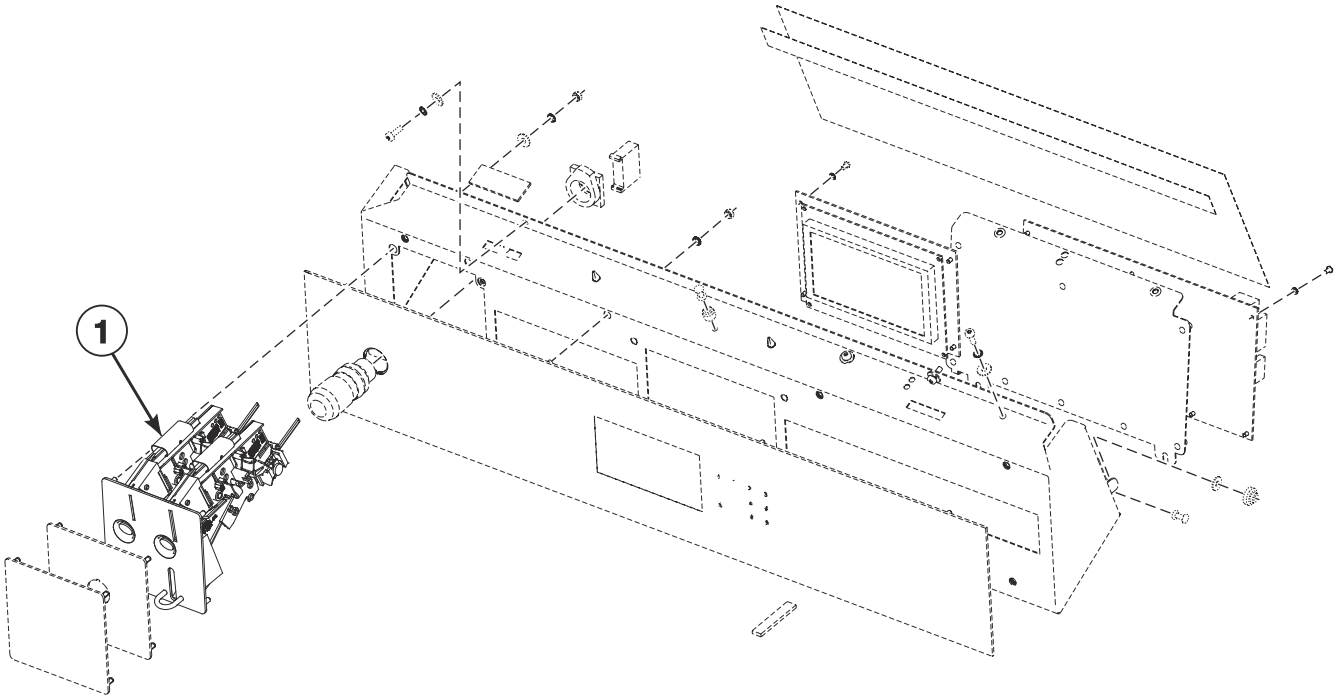
CFD2894P_D2410

Control Panel - AF Non-Brand, HY, LP, NY, SY and UY Models (Drawing 2 of 5)

REF	PART NO.	DESCRIPTION	COMMENTS
1	SP547601	Coin Meter	5K Primus jeton
	SP547602	Coin Meter	7K Primus jeton
	SP547603	Coin Meter	10K Primus jeton
	SP547604	Coin Meter	12K Primus jeton
	SP547605	Coin Meter	15K Primus jeton
	SP547606	Coin Meter	D jeton
	SP547648	Coin Meter	0.05EUR
	SP547638	Coin Meter	0.2EUR
	SP547616	Coin Meter	0.5EUR
	SP547614	Coin Meter	1EUR
	SP547647	Coin Meter	2EUR
	SP547622	Coin Meter	0.2EUR + 0.5EUR
	SP547639	Coin Meter	0.2EUR + 1EUR
	SP547617	Coin Meter	0.5EUR + 1EUR
	SP547656	Coin Meter	0.5EUR + 2EUR
	SP547631	Coin Meter	1EUR + 2EUR
	SP547652	Coin Meter	7K + D jeton
	SP547666	Coin Meter	7K jeton and 2EUR
	SP547665	Coin Meter	D jeton and 2EUR
	SP547600	Coin Meter	1AUD + 20C
	SP547607	Coin Meter	1POND + 20PC
	SP547608	Coin Meter	1POND + 50PC
	SP547609	Coin Meter	100YEN
	SP547610	Coin Meter	500JPY + 100JPY
	SP547611	Coin Meter	5DKK
	SP547612	Coin Meter	20DKK
	SP547613	Coin Meter	5ILS + 1ILS
	SP547615	Coin Meter	1MYR
	SP547618	Coin Meter	1DKK + 5DKK
	SP547619	Coin Meter	10NOK + 20NOK
	SP547620	Coin Meter	2DKK + 5DKK
	SP547621	Coin Meter	5NOK
	SP547623	Coin Meter	1NZD + 2NZD
	SP547624	Coin Meter	10 NOK
	SP547625	Coin Meter	10NT + 50NT
	SP547626	Coin Meter	2DKK
	SP547627	Coin Meter	Lucky Winner jeton
	SP547628	Coin Meter	10TWD
	SP547629	Coin Meter	10CZK + 20CZK
	SP547630	Coin Meter	7K Equipos Par Lavar jeton
	569921	Coin Meter	0.2GBP, 0.5GBP, 1GBP, 2GBP, 0.1EUR, 0.2EUR, 0.5EUR, 1EUR, 2EUR; Electronic EMPv7
	SP547634	Coin Meter	500WON
	SP547635	Coin Meter	0.25USD
	SP547636	Coin Meter	1AUD + 2AUD
	SP547637	Coin Meter	5DK + 10DK
	SP547640	Coin Meter	Sun Wash jeton

Control Panel - AF Non-Brand, HY, LP, NY, SY and UY Models (Drawing 3 of 5)

All models except models with G, H, J or K in 13th Position



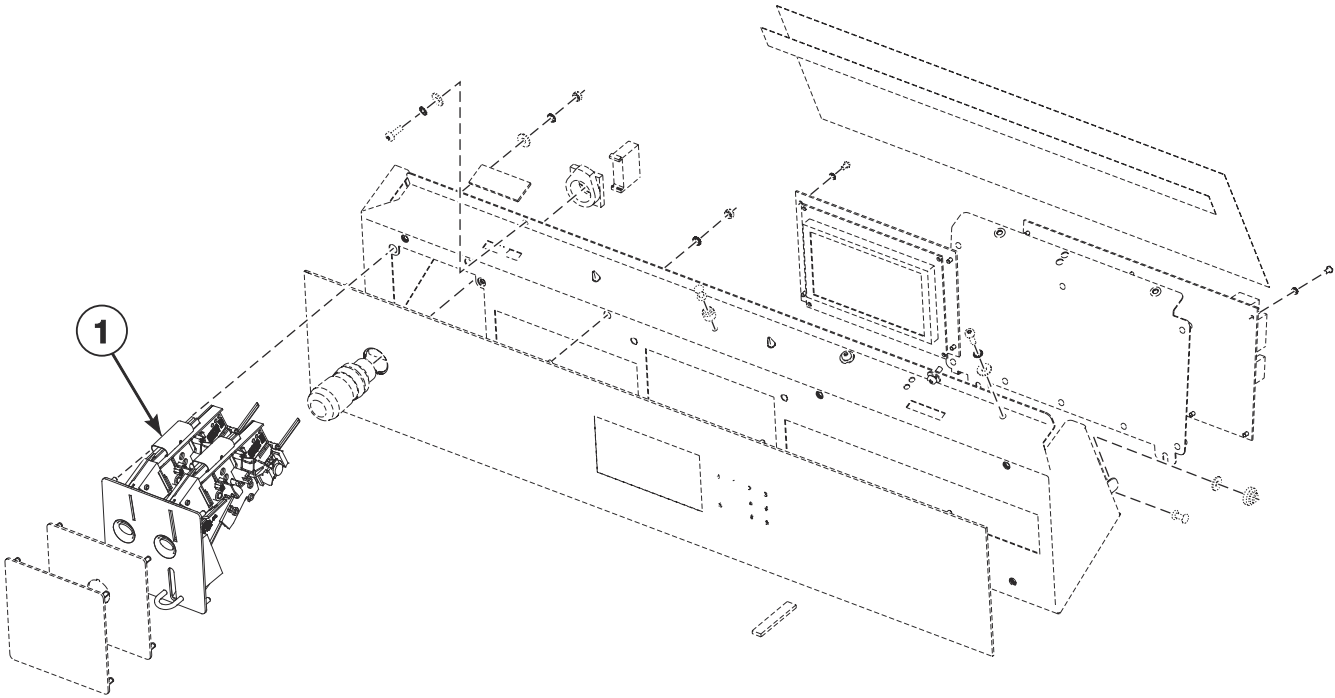
CFD2894P_D2410

Control Panel - AF Non-Brand, HY, LP, NY, SY and UY Models (Drawing 3 of 5)

REF	PART NO.	DESCRIPTION	COMMENTS
1	SP547641	Coin Meter	2DK + 10DK
	SP547642	Coin Meter	1AUD
	SP547643	Coin Meter	1CHF
	SP547644	Coin Meter	5NOK + 10NOK
	SP547645	Coin Meter	1 TopMos jeton + 1LEV jeton
	SP547646	Coin Meter	1 Vendo jeton
	SP547649	Coin Meter	1 jeton
	569951	Coin Meter	0.5MAD, 1MAD, 2MAD, 5MAD, 10MAD; Electronic EMPv7
	SP547651	Coin Meter	20 penny
	SP547653	Coin Meter	1 Wascator jeton, jeton diamater 22.2 mm
	SP547654	Coin Meter	1 Unibel jeton, jeton diamater 18.55 mm
	SP547657	Coin Meter	50HUF + 100HUF
	SP547658	Coin Meter	1 jeton without coining, jeton diamater 20 mm
	SP547659	Coin Meter	1 Volund jeton, jeton diamater 22.5 mm
	SP547660	Coin Meter	1 Wascator jeton, jeton diamater 19 mm
	SP547661	Coin Meter	1 Miele jeton
	SP547662	Coin Meter	1 jeton without coining, jeton diamater 26 mm
	SP547663	Coin Meter	Three-groove jeton; jeton diamater 27 mm
	SP547664	Coin Meter	Three-groove jeton; jeton diamater 24.9 mm
	SP537996	Coin Meter	Top-Mosr jeton
	SP547667	Coin Meter	Milano Italy jeton
	SP547668	Coin Meter	5PLN + 1PLN
	SP547669	Coin Meter	Two-grooves jeton; jeton diamater 27 mm
	SP547670	Coin Meter	A.S.A.R.D. jeton, jeton diamater 25.8 mm
	SP547671	Coin Meter	20CZK
	SP547672	Coin Meter	Jeton ASARD, jeton diamater 22.3 mm
	SP547673	Coin Meter	Jeton Laundromatic Belgium, jeton diamater 22.3 mm
	SP547674	Coin Meter	1SGD
	SP547675	Coin Meter	Jeton Asard Wascator, jeton diamater 19.9 mm
	SP555502	Coin Meter	Easy Games jeton
	SP555543	Coin Meter	Brev.C jeton
	SP555546	Coin Meter	50 Malaysian cent
	SP555549	Coin Meter	Flat Polis jeton
	SP555550	Coin Meter	Butzi Wash jeton
	SP555578	Coin Meter	1 New Singapore Dollar
	SP555558	Coin Meter	Copper without grooves jeton
	569939	Coin Meter	0.1SGD, 0.2SGD, 0.5SGD, 1SGD; Electronic EMPv7
	SP555666	Coin Meter	2x50 Malaysian cent
	569933	Coin Meter	0.1EUR, 0.2EUR, 0.5EUR, 1EUR, 2EUR; Electronic EMPv7
	SP555559	Coin Meter	Speedy Matic jeton
	SP555579	Coin Meter	Was-Salon Lavoir jeton
	569948	Coin Meter	5CZK, 10CZK, 20CZK, 50CZK; Electronic EMPv7
	SP560744	Coin Meter	Electronic for Dobi Ekspress jeton
	569964	Coin Meter	0.2GBP, 0.5GBP, 1GBP, 2GBP, 0.1EUR, 0.2EUR, 0.5EUR, 1EUR, 2EUR, jeton "KWL Aqua", jeton "Gettone"; Electronic EMPv7
	SP560089	Coin Meter	STD 118-1 jeton

Control Panel - AF Non-Brand, HY, LP, NY, SY and UY Models (Drawing 4 of 5)

All models except models with G, H, J or K in 13th Position



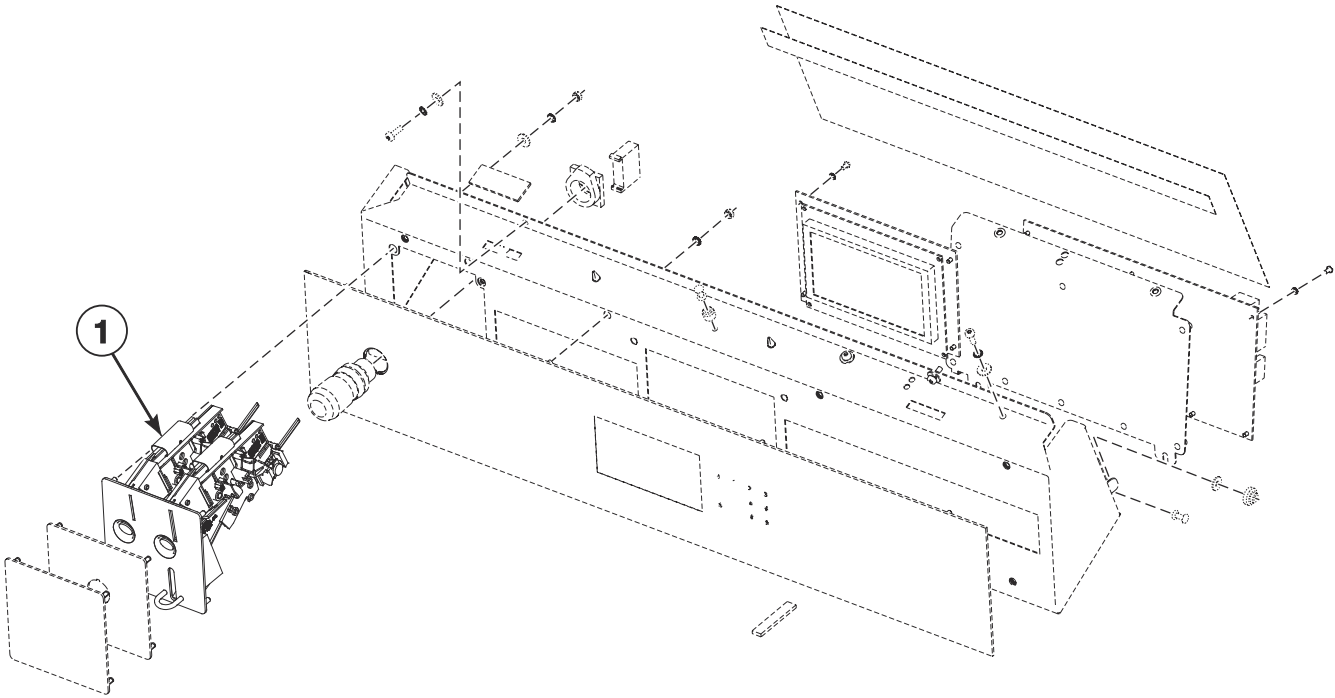
CFD2894P_D2410

Control Panel - AF Non-Brand, HY, LP, NY, SY and UY Models (Drawing 4 of 5)

REF	PART NO.	DESCRIPTION	COMMENTS
1	SP560082	Coin Meter	5k IPSO jeton
	SP560083	Coin Meter	7k IPSO jeton
	SP560084	Coin Meter	10k IPSO jeton
	SP560085	Coin Meter	12k IPSO jeton
	SP560086	Coin Meter	15k IPSO jeton
	561378	Coin Meter	10 Moroccan Dirham
	SP569918	Coin Meter	0.25USD, 1USD, 0.25CAD, 1CAD, 2CAD; Electronic EMPv7
	560073	Coin Meter	0.25 USD/1 USD
	569930	Coin Meter	1CNY, 0.1MYR, 0.2MYR, 0.5MYR; Electronic EMPv7
	569927	Coin Meter	0.2AUD, 1AUD, 2AUD, 0.2NZD, 1NZD, 2NZD, 5HKD, 10HKD, 500KRW; Electronic EMPv7
	SP561496	Coin Meter	Jeton Grupo Azkoyen CDS Automaten
	569936	Coin Meter	1PHP, 5PHP, 10PHP; Electronic EMPv7
	569942	Coin Meter	0.1MYR, 0.2MYR, 0.5MYR, 0.5SGD, 1SGD; Electronic EMPv7
	569945	Coin Meter	1HRK, 2HRK, 5HRK; Electronic EMPv7
	569924	Coin Meter	1DKK, 2DKK, 5DKK, 10DKK, 20DKK, 1NOK, 5NOK, 10NOK, 20NOK, 0.2EUR, 0.5EUR, 1EUR, 2EUR; Electronic EMPv7
	SP564484	Coin Meter	Jeton 118-5
	SP564486	Coin Meter	Jeton Barisart (LDL)
	569961	Coin Meter	0.1EUR, 0.2EUR, 0.5EUR, 1EUR, 2EUR, jeton IPSO 5K; Electronic EMPv7
	SP564489	Coin Meter	Jeton Sporong
	569970	Coin Meter	0.5MYR, jeton "DOBI PAPA"; Electronic EMPv7
	553150	Coin Meter	Jeton with hole
	553151	Coin Meter	Jeton Deton Wash
	569901	Coin Meter	Brass jeton
	569912	Coin Meter	Jeton Wassalon lavoit
	569954	Coin Meter	1PLN, 2PLN, 5PLN, 0.1EUR, 0.2EUR, 0.5EUR, 1EUR, 2EUR, 10ISK, 50ISK, 100ISK; Electronic EMPv7
	569967	Coin Meter	0.1EUR, 0.2EUR, 0.5EUR, 1EUR, 2EUR, jeton G-FIS "LAVOIR BIANCA"; Electronic EMPv7
	569973	Coin Meter	1AUD, 2AUD, jeton "No Cash Value"; Electronic EMPv7
	569979	Coin Meter	0.5MYR, jeton "BUBBLELAB"; Electronic EMPv7
	569987	Coin Meter	Jeton HAUCK 2018

Control Panel - AF Non-Brand, HY, LP, NY, SY and UY Models (Drawing 5 of 5)

All models except models with G, H, J or K in 13th Position



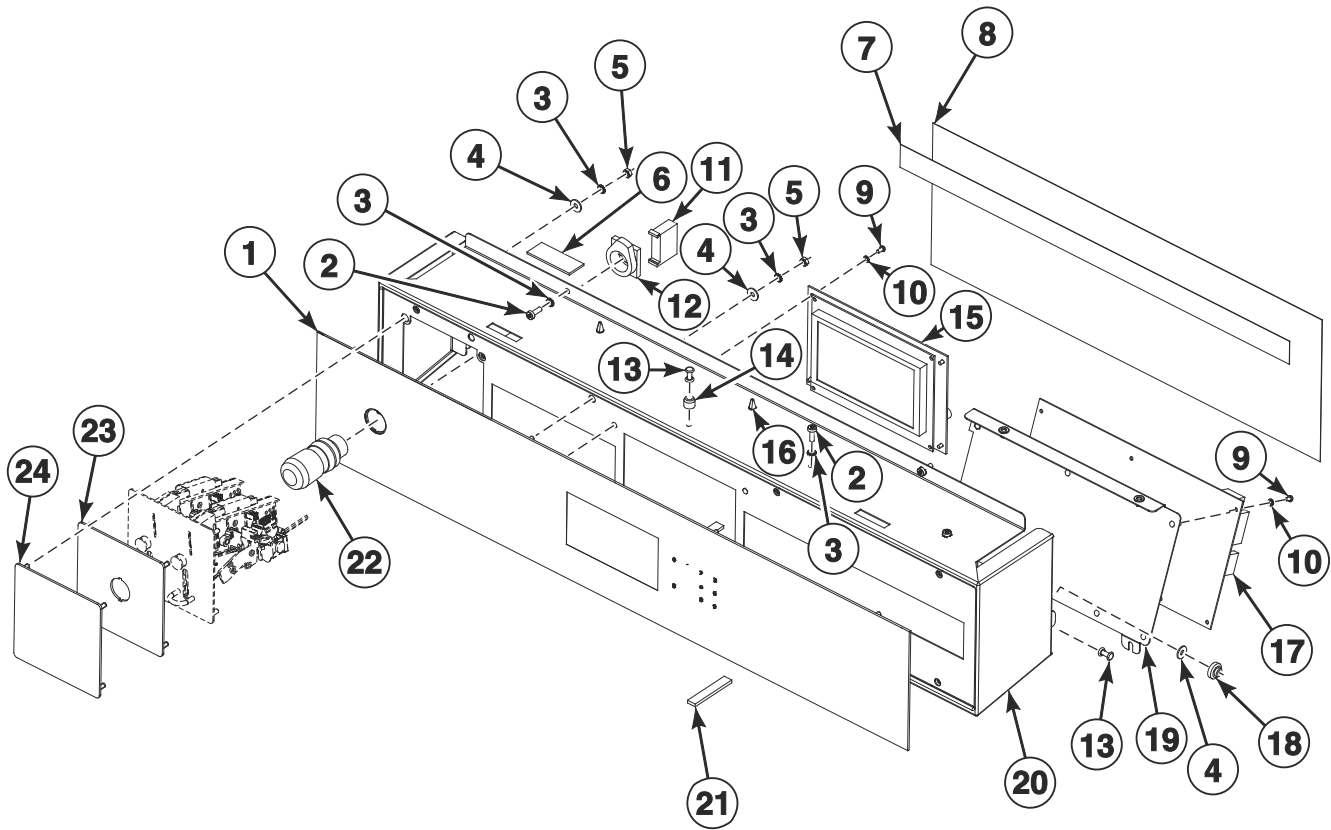
CFD2894P_D2410

Control Panel - AF Non-Brand, HY, LP, NY, SY and UY Models (Drawing 5 of 5)

REF	PART NO.	DESCRIPTION	COMMENTS
1	569998	Coin Meter	100+500 ISK
	572301	Coin Meter	Token 118-16
	572304	Coin Meter	1ILS, 2ILS, 5ILS, 10ILS; Electronic EMPv7
	572307	Coin Meter	1ZAR, 2ZAR, 5ZAR; Electronic EMPv7
	572310	Coin Meter	5RUB, 10RUB; Electronic EMPv7
	572313	Coin Meter	50CLP, 100CLP, 500CLP; Electronic EMPv7
	572317	Coin Meter	100JPY, 500JPY, 10TWD, 50TWD; Electronic EMPv7
	572320	Coin Meter	0.5GEL, 1GEL, 2GEL; Electronic EMPv7
	572323	Coin Meter	0.2 EUR, 0.5EUR, 1EUR, 2EUR, Jeton 7K; Electronic EMPv7
	572326	Coin Meter	20HUF, 50HUF, 100HUF, 200HUF; Electronic EMPv7
	572342	Coin Meter	Token WH121
	572339	Coin Meter	Getton Jeton (26mm diameter x 1.7mm)

Control Panel - H, IY and J Models (Drawing 1 of 4)

All Models Except Models with G, H, J or K in 13th Position



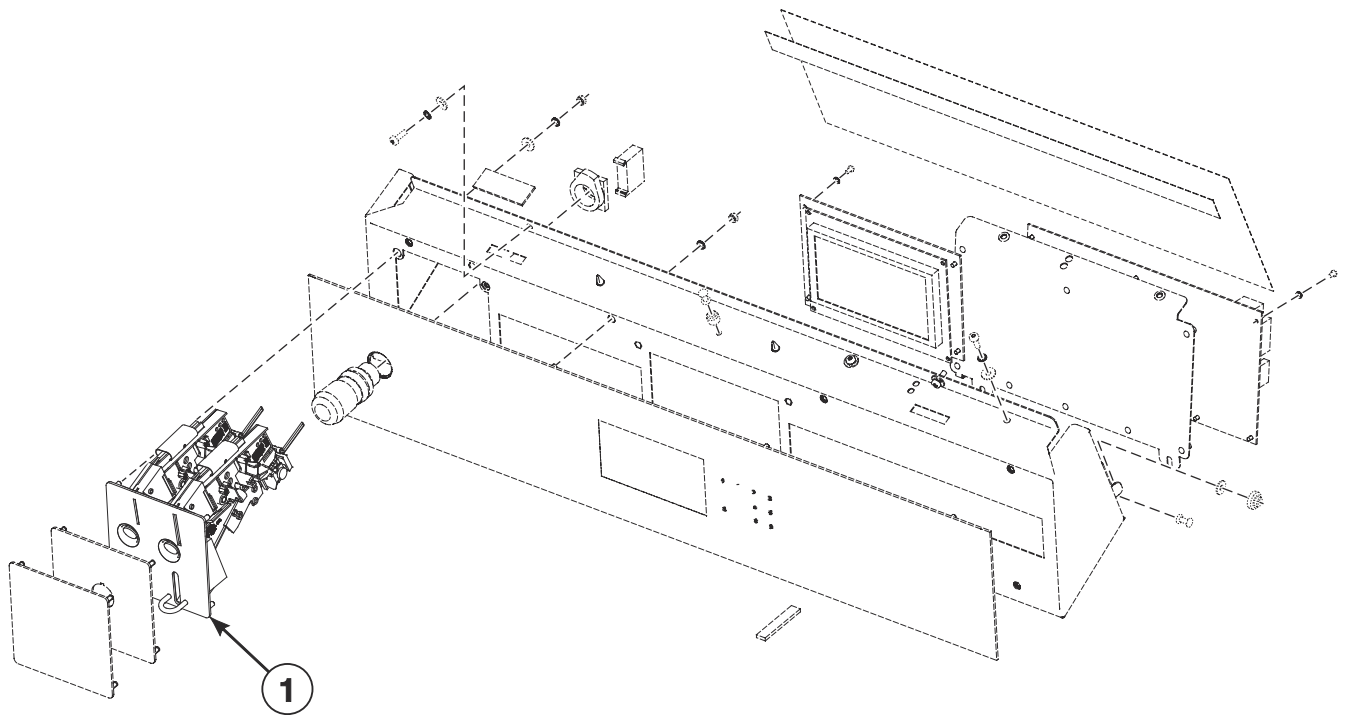
CFD2895P_D2410

Control Panel - H, IY and J Models (Drawing 1 of 4)

REF	PART NO.	DESCRIPTION	COMMENTS
	SP557744	USB Connection	J models
	F8600501	Programming Cable	
	569593	Network Installation Kit	Includes 569595 Holder, 203532 Wireless Network Control Assembly, 568363 Power Supply, 568362 Cable, 568378 Wiring, 568379 Wiring Diagram, SP345000626088 Binding Strip and connection accessories
1	SP557569	Keyboard	Aries-Elite
	SP557570	Keyboard	Aries
	SP560761	Keyboard	Without logo; With numeric keypad
	SP560762	Keyboard	Without logo; Without numeric keypad
	SP559375	Keyboard	J models; OPL
	SP559378	Keyboard	J models; Vended
2	SP555504	Bolt	M4x12
3	SP311679800004	Washer	M4
4	SP311902100004	Washer	M4
5	SP310934000004	Nut	M4
6	SPMEC001410	Self-Adhesive Pad	
7	SP510846	Tape	
8	SPPRI543000004	Cover	
9	SP309798500306	Bolt	M3x6
10	SP311679800003	Washer	M3
11	SP528312	Switching Unit	
12	SP528311	Emergency Stop Connector	
13	SP547779	Rivet	4x16.7
14	SP520408	Pin Insertion	
15	SP553419	Control Board	MC7
	SP553411	Control Board	MC7; J models
16	SP528313	Cable Holder	
17	SP553405	Control Board Power	MC7
	SP547005	Board Interconnection Cable	
18	SP550113	Leading Pin	
19	SP558896	Programmer Holder	
20	SP558894	Control Panel	
21	SP284000012003	Tape	
22	SP528310	Emergency Stop Knob	OPL
	SP520032	Emergency Stop Wiring	OPL
	SP520033	Emergency Stop Interconnection	Vended
23	SP558929	Coin Meter Cover Plate	
24	SP558930	CPS Cover Plate	

Control Panel - H, IY and J Models (Drawing 2 of 4)

All Models Except Models with G, H, J or K in 13th Position



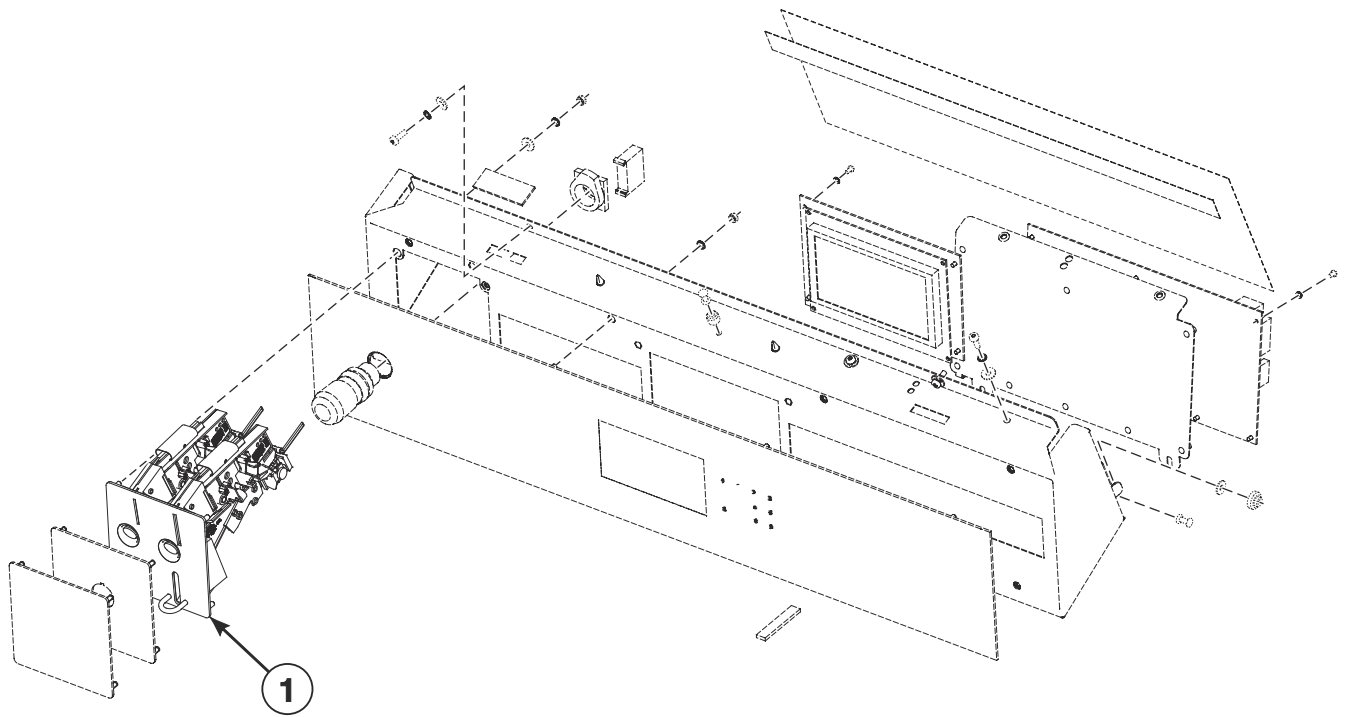
CFD2896P_D2410

Control Panel - H, IY and J Models (Drawing 2 of 4)

REF	PART NO.	DESCRIPTION	COMMENTS
1	569922	Coin Meter	0.2GBP, 0.5GBP, 1GBP, 2GBP, 0.1EUR, 0.2EUR, 0.5EUR, 1EUR, 2EUR; Electronic EMPv7
	SP558958	Coin Meter	0.25USD
	SP558959	Coin Meter	0.5EUR and 1EUR
	SP560310	Coin Meter	1EUR
	SP560311	Coin Meter	0.5EUR
	SP560312	Coin Meter	1EUR and 2EUR
	SP559933	Coin Meter	5K Primus jeton
	SP559934	Coin Meter	10K Primus jeton
	569965	Coin Meter	0.2GBP, 0.5GBP, 1GBP, 2GBP, 0.1EUR, 0.2EUR, 0.5EUR, 1EUR, 2EUR, jeton "KWL Aqua", jeton "Gettone"; Electronic EMPv7
	SP559938	Coin Meter	STD 118-1 jeton
	SP560309	Coin Meter	7K Primus jeton
	SP560405	Coin Meter	12K Primus jeton
	SP560406	Coin Meter	15K Primus jeton
	SP560407	Coin Meter	2EUR
	SP560408	Coin Meter	0.2EUR and 0.5EUR
	SP560409	Coin Meter	0.2EUR
	SP560410	Coin Meter	1EUR and 0.2EUR
	SP560411	Coin Meter	2EUR and 0.5EUR
	SP560412	Coin Meter	1AUD and 0.2AUD
	SP560413	Coin Meter	1GBP and 20PC
	SP560414	Coin Meter	1GBP and 50PC
	SP560415	Coin Meter	100JPY
	SP560416	Coin Meter	500JPY and 100 JPY
	SP560417	Coin Meter	1AUD and 2AUD
	SP560418	Coin Meter	1AUD
	SP560419	Coin Meter	20PC
	SP560420	Coin Meter	50 Malaysian cent
	SP560421	Coin Meter	1SGD; New Singaporean dollar
	SP560422	Coin Meter	2MYR and 0.5MYR
	SP560423	Coin Meter	1SGD
	SP560424	Coin Meter	1NZD and 2NZD
	SP560425	Coin Meter	Easy games jeton
	SP560426	Coin Meter	Flat polis jeton
	SP560427	Coin Meter	Butzi wash jeton
	SP560428	Coin Meter	Speedy matic jeton
	SP560429	Coin Meter	Laundromatic Belgium jeton; Diameter 22.3mm
	569940	Coin Meter	0.1SGD, 0.2SGD, 0.5SGD, 1SGD; Electronic EMPv7
	569934	Coin Meter	0.1EUR, 0.2EUR, 0.5EUR, 1EUR, 2EUR; Electronic EMPv7
	SP560432	Coin Meter	500WON
	SP560745	Coin Meter	Dobi ekspress jeton
	SP560751	Coin Meter	Lucky winner jeton
	SP559969	Coin Meter	Gettone jeton
	SP559949	Coin Meter	10 Taiwan dollar
	SP560090	Coin Meter	5K IPSO jeton
	SP560091	Coin Meter	7K IPSO jeton
	SP560092	Coin Meter	10K IPSO jeton
	SP560093	Coin Meter	12K IPSO jeton
	SP560094	Coin Meter	15K IPSO jeton
	SP560100	Coin Meter	Electrolux Asard jeton
	SP560087	Coin Meter	Gettone jeton

Control Panel - H, IY and J Models (Drawing 3 of 4)

All Models Except Models with G, H, J or K in 13th Position



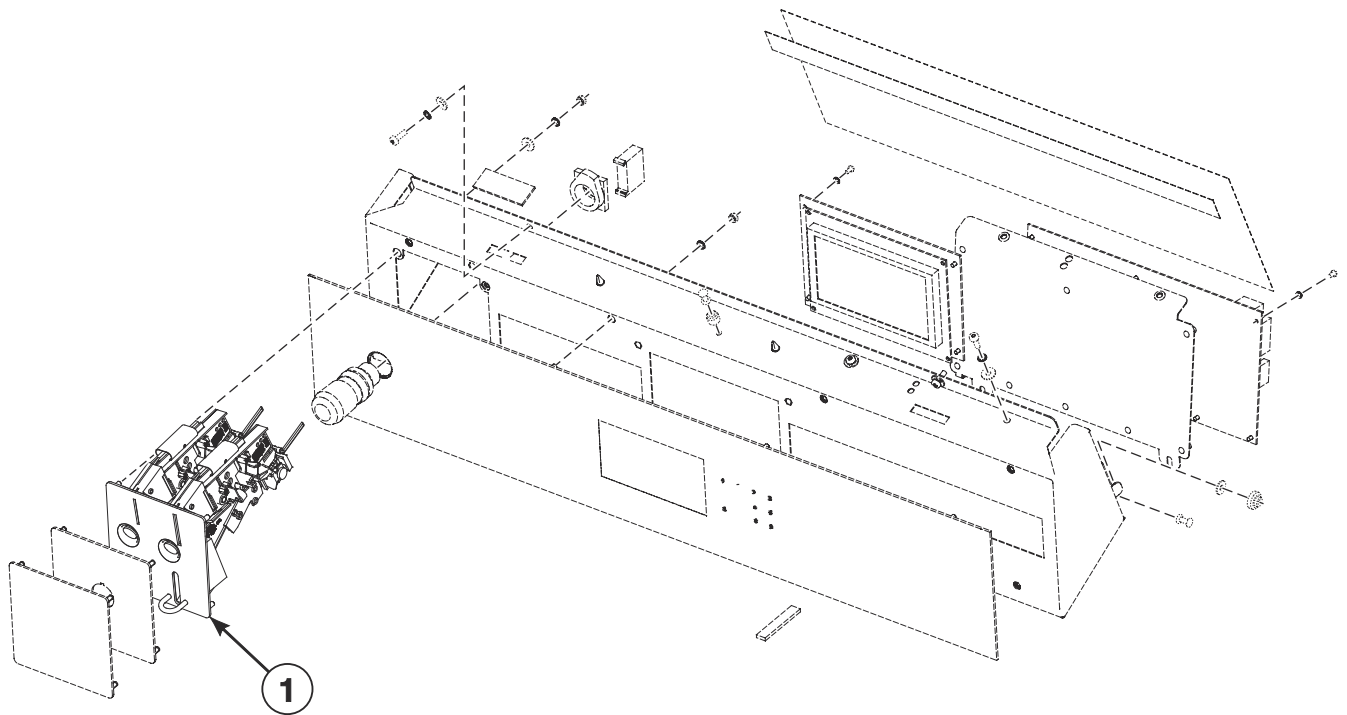
CFD2896P_D2410

Control Panel - H, IY and J Models (Drawing 3 of 4)

REF	PART NO.	DESCRIPTION	COMMENTS
1	SP560075	Coin Meter	5+1 Shekel
	SP560071	Coin Meter	1HKD
	569968	Coin Meter	0.1EUR, 0.2EUR, 0.5EUR, 1EUR, 2EUR, jeton G-FIS "LAVOIR BIANCA"; Electronic EMPv7
	569946	Coin Meter	1HRK, 2HRK, 5HRK; Electronic EMPv7
	569974	Coin Meter	1AUD, 2AUD, jeton "No Cash Value"; Electronic EMPv7
	561497	Coin Meter	Jeton Prinz Firbitex
	563405	Coin Meter	Token Ldl Chamberland Washing Machine
	569943	Coin Meter	0.1MYR, 0.2MYR, 0.5MYR, 0.5SGD, 1SGD; Electronic EMPv7
	569925	Coin Meter	1DKK, 2DKK, 5DKK, 10DKK, 20DKK, 1NOK, 5NOK, 10NOK, 20NOK, 0.2EUR, 0.5EUR, 1EUR, 2EUR; Electronic EMPv7
	564485	Coin Meter	Token 118-5
	564487	Coin Meter	Token Barisart (Ldl)
	569971	Coin Meter	0.5MYR, jeton "DOBI PAPA"; Electronic EMPv7
	553156	Coin Meter	Token Rotondi
	569905	Coin Meter	Brass jeton
	569911	Coin Meter	0.5CHF, 2CHF
	569919	Coin Meter	0.25USD, 1USD, 0.25CAD, 1CAD, 2CAD; Electronic EMPv7
	569928	Coin Meter	0.2AUD, 1AUD, 2AUD, 0.2NZD, 1NZD, 2NZD, 5HKD, 10HKD, 500KRW; Electronic EMPv7
	569931	Coin Meter	1CNY, 0.1MYR, 0.2MYR, 0.5MYR; Electronic EMPv7
	569937	Coin Meter	1PHP, 5PHP, 10PHP; Electronic EMPv7
	569949	Coin Meter	5CZK, 10CZK, 20CZK, 50CZK; Electronic EMPv7
	569952	Coin Meter	0.5MAD, 1MAD, 2MAD, 5MAD, 10MAD; Electronic EMPv7
	569955	Coin Meter	1PLN, 2PLN, 5PLN, 0.1EUR, 0.2EUR, 0.5EUR, 1EUR, 2EUR, 10ISK, 50ISK, 100ISK; Electronic EMPv7
	569962	Coin Meter	0.1EUR, 0.2EUR, 0.5EUR, 1EUR, 2EUR, jeton IPRSO 5K; Electronic EMPv7
	569980	Coin Meter	0.5MYR, jeton "BUBBLELAB"; Electronic EMPv7
	569988	Coin Meter	Jeton HAUCK 2018
	569993	Coin Meter	Jeton 08 MS
	569995	Coin Meter	Jeton D

Control Panel - H, IY and J Models (Drawing 4 of 4)

All Models Except Models with G, H, J or K in 13th Position



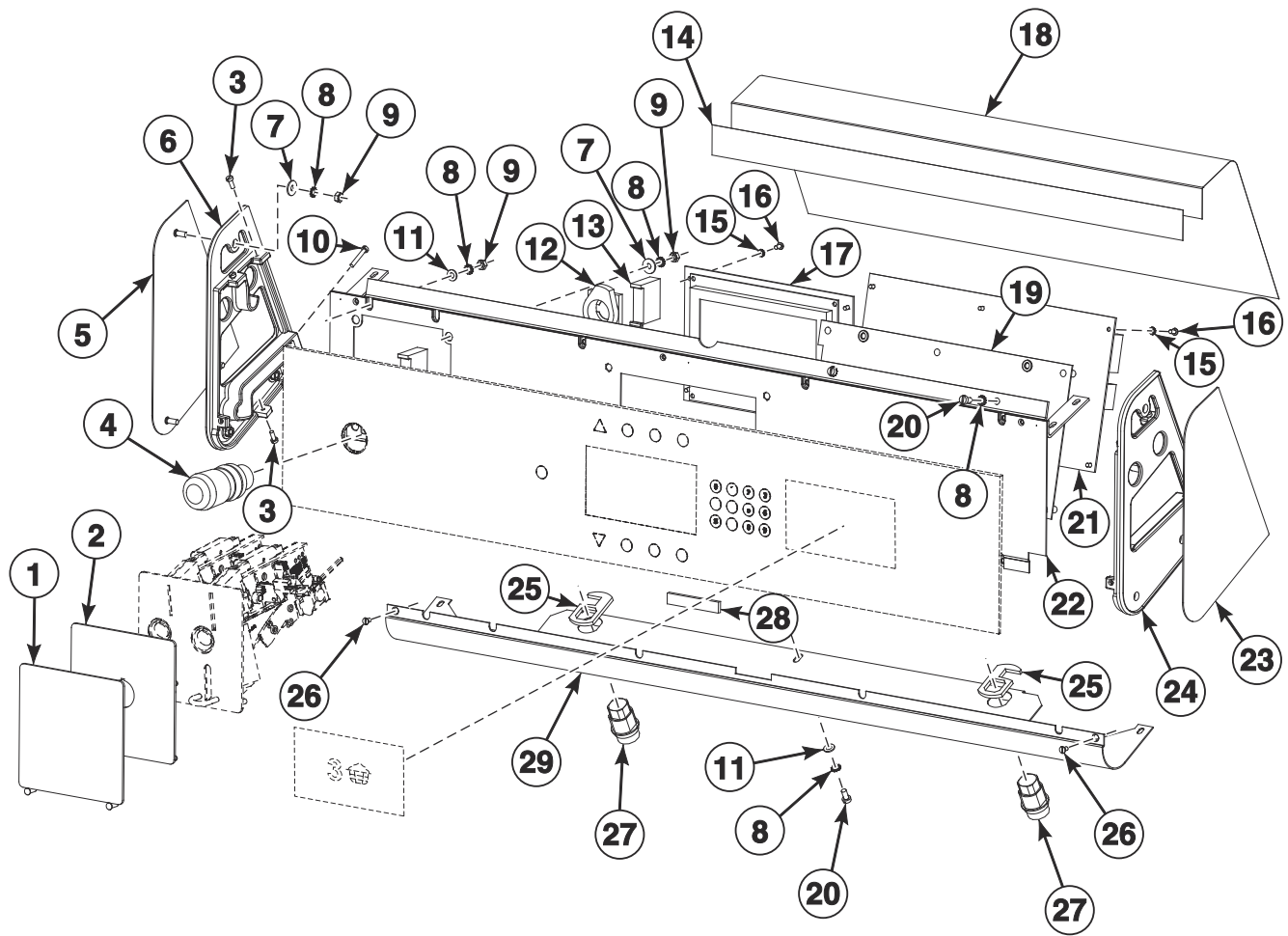
CFD2896P_D2410

Control Panel - H, IY and J Models (Drawing 4 of 4)

REF	PART NO.	DESCRIPTION	COMMENTS
1	569999	Coin Meter	10+50 TWD
	570000	Coin Meter	100+500 ISK
	572302	Coin Meter	Token 118-16
	572305	Coin Meter	1ILS, 2ILS, 5ILS, 10ILS; Electronic EMPv7
	572308	Coin Meter	1ZAR, 2ZAR, 5ZAR; Electronic EMPv7
	572311	Coin Meter	5RUB, 10RUB; Electronic EMPv7
	572314	Coin Meter	50CLP, 100CLP, 500CLP; Electronic EMPv7
	572318	Coin Meter	100JPY, 500JPY, 10TWD, 50TWD; Electronic EMPv7
	572321	Coin Meter	0.5GEL, 1GEL, 2GEL; Electronic EMPv7
	572324	Coin Meter	0.2 EUR, 0.5EUR, 1EUR, 2EUR, Jeton 7K; Electronic EMPv7
	572327	Coin Meter	20HUF, 50HUF, 100HUF, 200HUF; Electronic EMPv7
	569988	Coin Meter	Jeton HAUCK 2018
	572359	Coin Meter	1THB, 2THB, 5THB, 10THB/TK1+2; Electronic EMPv7
	572355	Coin Meter	Token 1699360
	572389	Coin Meter	0.25CAD
	575276	Coin Meter	0.25USD +1USD
	575277	Coin Meter	0.25CAD +1CAD

Control Panel - AF, FX, HX, LY, MWF, PY, QW and SW Models (Drawing 1 of 2)

All Models Except FX and PY Models with H or K in 13th Position



CZW136P_D2410

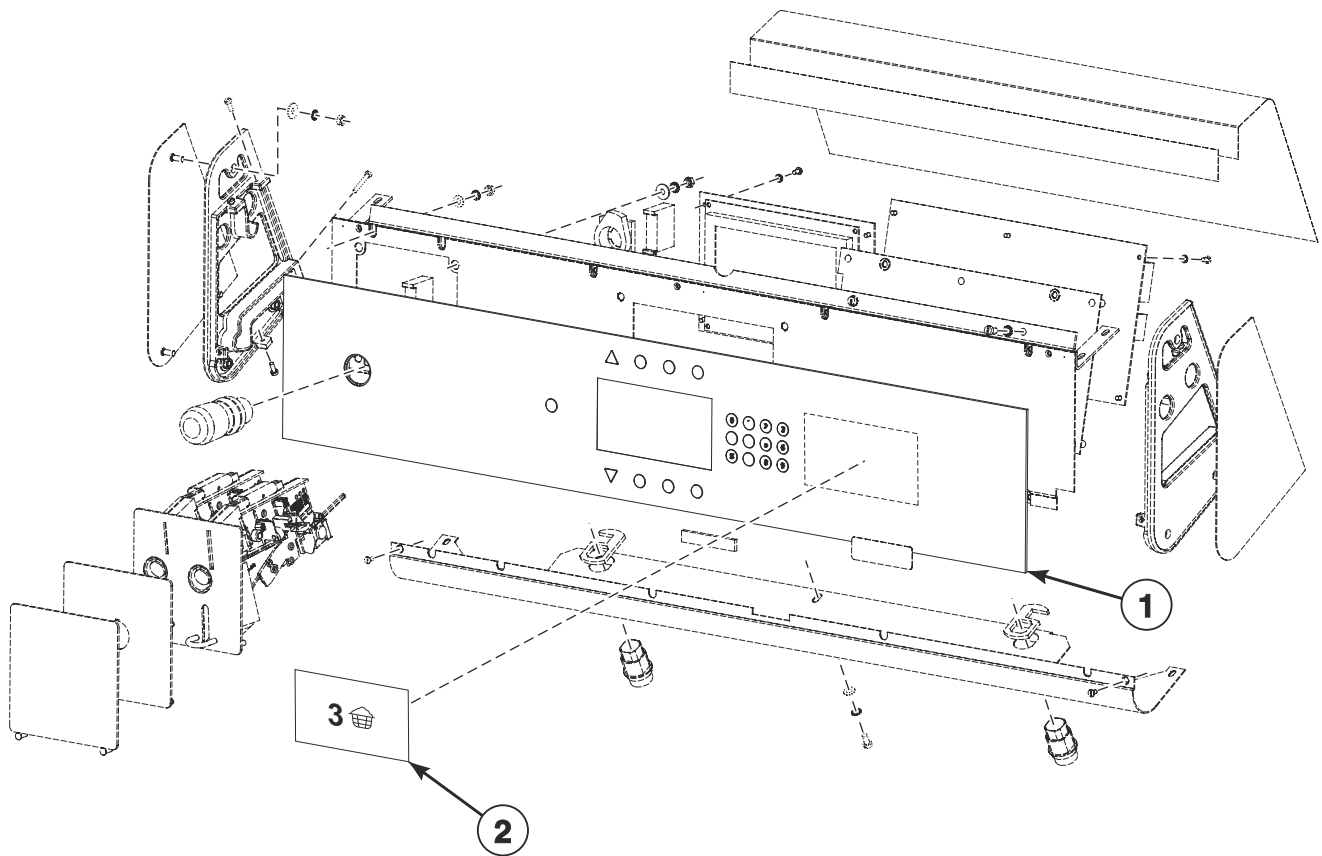
Control Panel - AF, FX, HX, LY, MWF, PY, QW and SW Models (Drawing 1 of 2)

REF	PART NO.	DESCRIPTION	COMMENTS
	F8600501	Programming Cable	
	569593	Network Installation Kit	Includes 569595 Holder, 203532 Wireless Network Control Assembly, 568363 Power Supply, 568362 Cable, 568378 Wiring, 568379 Wiring Diagram, SP345000626088 Binding Strip and connection accessories
1	SP550149	Cover Plate	PY models; CSA
2	SP547565	Coin Meter Cover	
3	SP309084000308	Bolt	M3x8
4	SP528310	Emergency Stop Knob	OPL
	SP520032	Emergency Stop Wiring	OPL
	SP520033	Emergency Stop Interconnection	Vended
5	SP547507	Side Sheet Metal	Left
6	SP533338	Side Board	Left
7	SP311902100004	Washer	M4
8	SP311679800004	Washer	M4
9	SP310934000004	Nut	M4
10	SP309084000320	Bolt	M3x20
11	SP311125000004	Washer	M4
12	SP528311	Emergency Stop Connector	
13	SP528312	Switching Unit	
14	SP510846	Tape	
15	SP311679800003	Washer	M3
16	SP309798500306	Bolt	M3x6
17	SP547001	Control Board	MC6 (green color); Through Serial No. 135FX002197BZ; Refer to NOTE*
	SP553411	Control Board	MC7 (blue color); Starting Serial No. 135FX002223BZ; Refer to NOTE*
18	SPPRI543000004	Cover	
19	SP547513	Programmer Holder	
20	SP555504	Bolt	M4x12
21	SP547002	Control Board Power	MC6
	SP553405	Control Board Power	MC7
	SP537995	Board Interconnection Cable	QW models
	SP547005	Board Interconnection Cable	All other models
22	SP547510	Programmer Holder	
23	SP547506	Side Sheet Metal	Right
24	SP533339	Side Board	Right
25	SPPRI610002007	Hook Lock	Small; MC7; OPL
26	SP309963000312	Bolt	M3x12
27	SP547527	Lock	
	SP550616	Key	Used with SP547527 Lock
28	SP284000012003	Tape	
29	SP547515	Lower Lath	

* NOTE: For machines within the Serial No. range 135FX002224BZ - 135FX002644DF, contact the After Sales department.

Control Panel - AF, FX, HX, LY, MWF, PY, QW and SW Models (Drawing 2 of 2)

All Models Except FX and PY Models with H or K in 13th Position



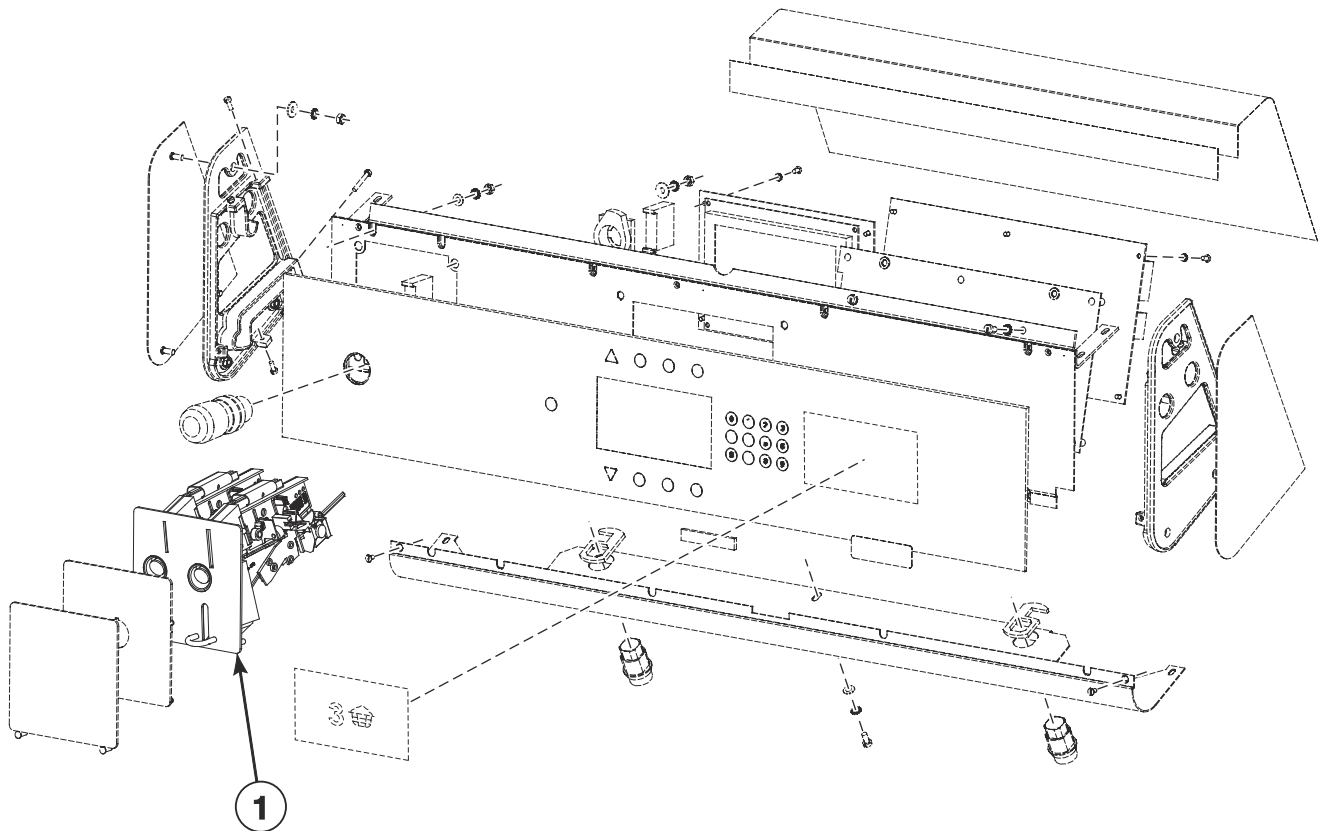
CZW137P_D2410

Control Panel - AF, FX, HX, LY, MWF, PY, QW and SW Models (Drawing 2 of 2)

REF	PART NO.	DESCRIPTION	COMMENTS
1	SP560755	Keyboard	X Control; CSA
	SP547014	Keyboard	FX, MWF and PY models; OPL; X Control Plus; Gray-black; CE
	SP547013	Keyboard	FX, MWF and PY models; OPL; X Control; Gray-black; CE
	SP547011	Keyboard	FX, MWF and PY models; Vended; X Control; Gray-black; CE
	SP547012	Keyboard	FX, MWF and PY models; CPS; X Control; Gray-black; CE
	SP547026	Keyboard	AF and LY models; OPL; X Control Plus; Black; CE
	SP547025	Keyboard	AF and LY models; OPL; X Control; Black; CE
	SP547023	Keyboard	AF and LY models; Vended; X Control; Black; CE
	SP547024	Keyboard	AF and LY models; CPS; X Control; Black; CE
	SP547038	Keyboard	FX, MWF and PY models; OPL; X Control Plus; Gray; CE
	SP547037	Keyboard	FX, MWF and PY models; OPL; X Control; Gray; CE
	SP547035	Keyboard	FX, MWF and PY models; Vended; X Control; Gray; CE
	SP547036	Keyboard	FX, MWF and PY models; CPS; X Control; Gray; CE
	SP537994	Keyboard	QW models; CE
	SP556112	Keyboard	SW models; CE
	SP552911	Keyboard	HX models; CE
2	SP563291	Label	Basket Capacity; 3; Vended; CSA

Control Panel - AF, FX, HX, LY, MWF and PY Models (Drawing 1 of 4)

All Models Except FX and PY Models with H or K in 13th Position



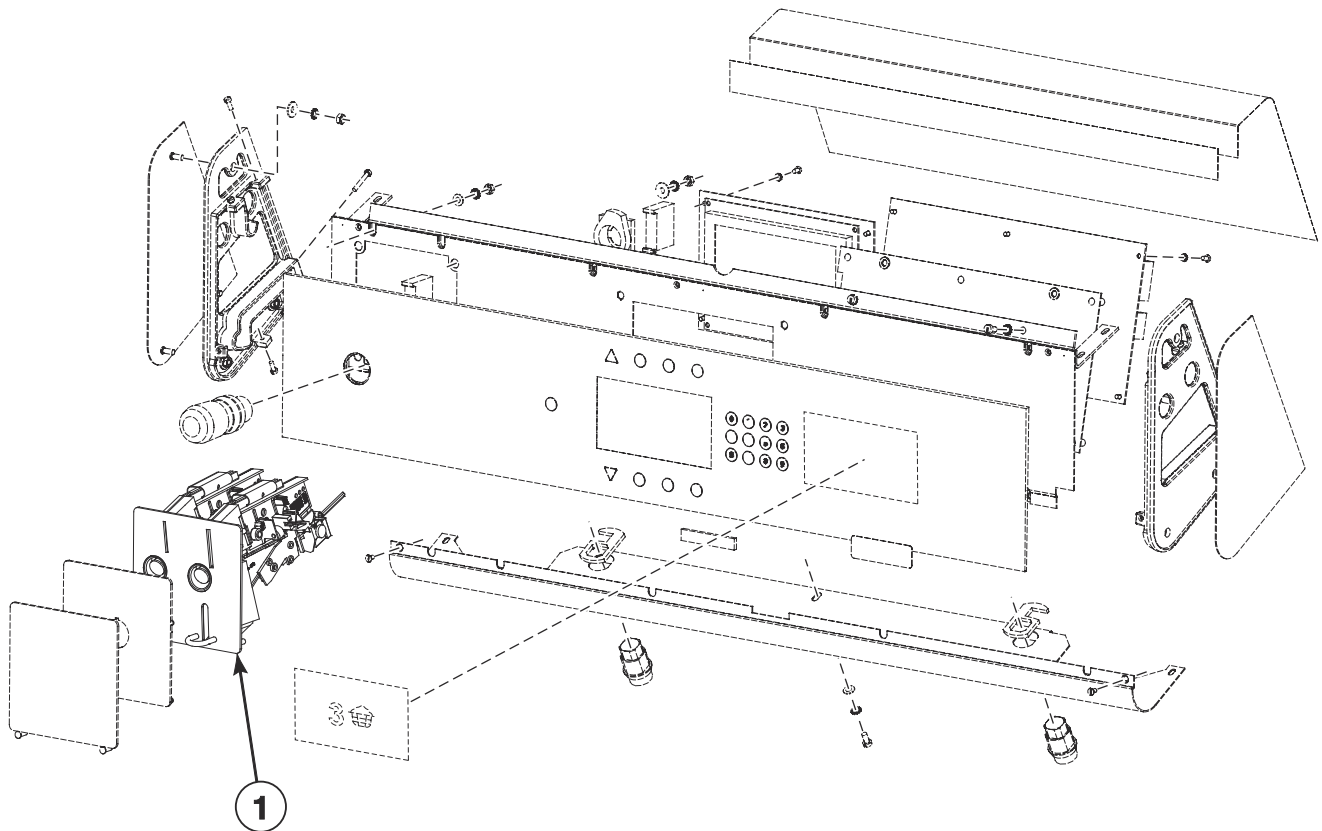
CZW139P_D2410

Control Panel - AF, FX, HX, LY, MWF and PY Models (Drawing 1 of 4)

REF	PART NO.	DESCRIPTION	COMMENTS
1	SP547601	Coin Meter	5K Primus jeton
	SP547602	Coin Meter	7K Primus jeton
	SP547603	Coin Meter	10K Primus jeton
	SP547604	Coin Meter	12K Primus jeton
	SP547605	Coin Meter	15K Primus jeton
	SP547606	Coin Meter	D jeton
	SP547648	Coin Meter	0.05EUR
	SP547638	Coin Meter	0.2EUR
	SP547616	Coin Meter	0.5EUR
	SP547614	Coin Meter	1EUR
	SP547647	Coin Meter	2EUR
	SP547622	Coin Meter	0.2EUR + 0.5EUR
	SP547639	Coin Meter	0.2EUR + 1EUR
	SP547617	Coin Meter	0.5EUR + 1EUR
	SP547656	Coin Meter	0.5EUR + 2EUR
	SP547631	Coin Meter	1EUR + 2EUR
	SP547652	Coin Meter	7K + D jeton
	SP547666	Coin Meter	7K jeton and 2EUR
	SP547665	Coin Meter	D jeton and 2EUR
	SP547600	Coin Meter	1AUD + 20C
	SP547607	Coin Meter	1POND + 20PC
	SP547608	Coin Meter	1POND + 50PC
	SP547609	Coin Meter	100YEN
	SP547610	Coin Meter	500JPY + 100JPY
	SP547611	Coin Meter	5DKK
	SP547612	Coin Meter	20DKK
	SP547613	Coin Meter	5ILS + 1ILS
	SP547615	Coin Meter	1MYR
	SP547618	Coin Meter	1DKK + 5DKK
	SP547619	Coin Meter	10NOK + 20NOK
	SP547620	Coin Meter	2DKK + 5DKK
	SP547621	Coin Meter	5NOK
	SP547623	Coin Meter	1NZD + 2NZD
	SP547624	Coin Meter	10 NOK
	SP547625	Coin Meter	10NT + 50NT
	SP547626	Coin Meter	2DKK
	SP547627	Coin Meter	Lucky Winner jeton
	SP547628	Coin Meter	10TWD
	SP547629	Coin Meter	10CZK + 20CZK
	SP547630	Coin Meter	7K Equipos Par Lavar jeton
	569921	Coin Meter	0.2GBP, 0.5GBP, 1GBP, 2GBP, 0.1EUR, 0.2EUR, 0.5EUR, 1EUR, 2EUR; Electronic EMPv7
	SP547634	Coin Meter	500WON
	SP547635	Coin Meter	0.25USD
	SP547636	Coin Meter	1AUD + 2AUD
SP547637	Coin Meter	5DK + 10DK	
SP547640	Coin Meter	Sun Wash jeton	

Control Panel - AF, FX, HX, LY, MWF and PY Models (Drawing 2 of 4)

All Models Except FX and PY Models with H or K in 13th Position



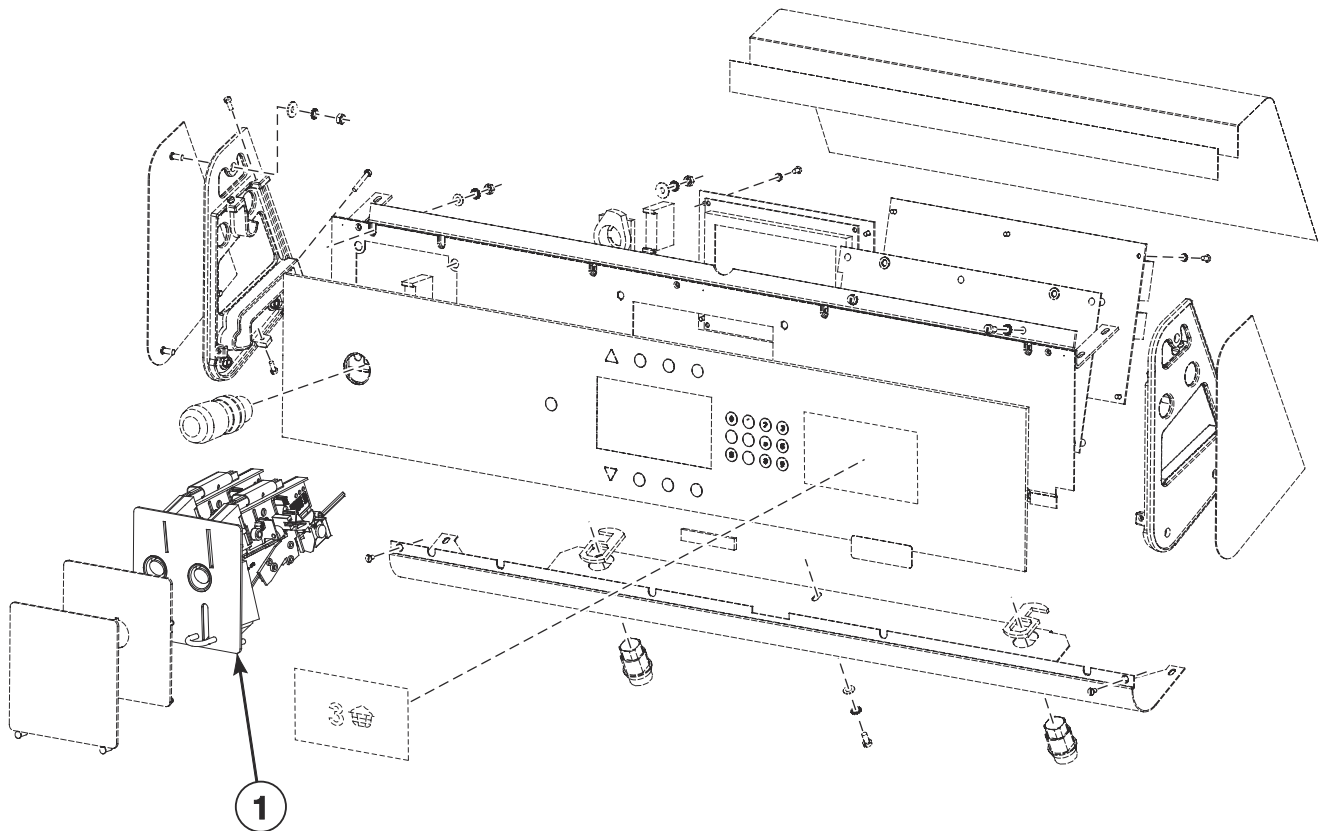
CZW139P_D2410

Control Panel - AF, FX, HX, LY, MWF and PY Models (Drawing 2 of 4)

REF	PART NO.	DESCRIPTION	COMMENTS
1	SP547641	Coin Meter	2DK + 10DK
	SP547642	Coin Meter	1AUD
	SP547643	Coin Meter	1CHF
	SP547644	Coin Meter	5NOK + 10NOK
	SP547645	Coin Meter	1 TopMos jeton + 1LEV jeton
	SP547646	Coin Meter	1 Vendo jeton
	SP547649	Coin Meter	1 jeton
	569951	Coin Meter	0.5MAD, 1MAD, 2MAD, 5MAD, 10MAD; Electronic EMPv7
	SP547651	Coin Meter	20 penny
	SP547653	Coin Meter	1 Wascator jeton, jeton diamater 22.2 mm
	SP547654	Coin Meter	1 Unibel jeton, jeton diamater 18.55 mm
	SP547657	Coin Meter	50HUF + 100HUF
	SP547658	Coin Meter	1 jeton without coining, jeton diamater 20 mm
	SP547659	Coin Meter	1 Volund jeton, jeton diamater 22.5 mm
	SP547660	Coin Meter	1 Wascator jeton, jeton diamater 19 mm
	SP547661	Coin Meter	1 Miele jeton
	SP547662	Coin Meter	1 jeton without coining, jeton diamater 26 mm
	SP547663	Coin Meter	Three-groove jeton; jeton diamater 27 mm
	SP547664	Coin Meter	Three-groove jeton; jeton diamater 24.9 mm
	SP537996	Coin Meter	Top-Mosr jeton
	SP547667	Coin Meter	Milano Italy jeton
	SP547668	Coin Meter	5PLN + 1PLN
	SP547669	Coin Meter	Two-grooves jeton; jeton diamater 27 mm
	SP547670	Coin Meter	A.S.A.R.D. jeton, jeton diamater 25.8 mm
	SP547671	Coin Meter	20CZK
	SP547672	Coin Meter	Jeton ASARD, jeton diamater 22.3 mm
	SP547673	Coin Meter	Jeton Laundromatic Belgium, jeton diamater 22.3 mm
	SP547674	Coin Meter	1SGD
	SP547675	Coin Meter	Jeton Asard Wascator, jeton diamater 19.9 mm
	SP555502	Coin Meter	Easy Games jeton
	SP555543	Coin Meter	Brev.C jeton
	SP555546	Coin Meter	50 Malaysian cent
	SP555549	Coin Meter	Flat Polis jeton
	SP555550	Coin Meter	Butzi Wash jeton
	SP555578	Coin Meter	1 New Singapore Dollar
	SP555558	Coin Meter	Copper without grooves jeton
	569939	Coin Meter	0.1SGD, 0.2SGD, 0.5SGD, 1SGD; Electronic EMPv7
	SP555666	Coin Meter	2x50 Malaysian cent
	569933	Coin Meter	0.1EUR, 0.2EUR, 0.5EUR, 1EUR, 2EUR; Electronic EMPv7
	SP555559	Coin Meter	Speedy Matic jeton
	SP555579	Coin Meter	Was-Salon Lavoir jeton.
	569948	Coin Meter	5CZK, 10CZK, 20CZK, 50CZK; Electronic EMPv7
	SP560744	Coin Meter	Electronic for Dobi Ekspress jeton
	569964	Coin Meter	0.2GBP, 0.5GBP, 1GBP, 2GBP, 0.1EUR, 0.2EUR, 0.5EUR, 1EUR, 2EUR, jeton "KWL Aqua", jeton "Gettone"; Electronic EMPv7
	SP560089	Coin Meter	STD 118-1 jeton

Control Panel - AF, FX, HX, LY, MWF and PY Models (Drawing 3 of 4)

All Models Except FX and PY Models with H or K in 13th Position



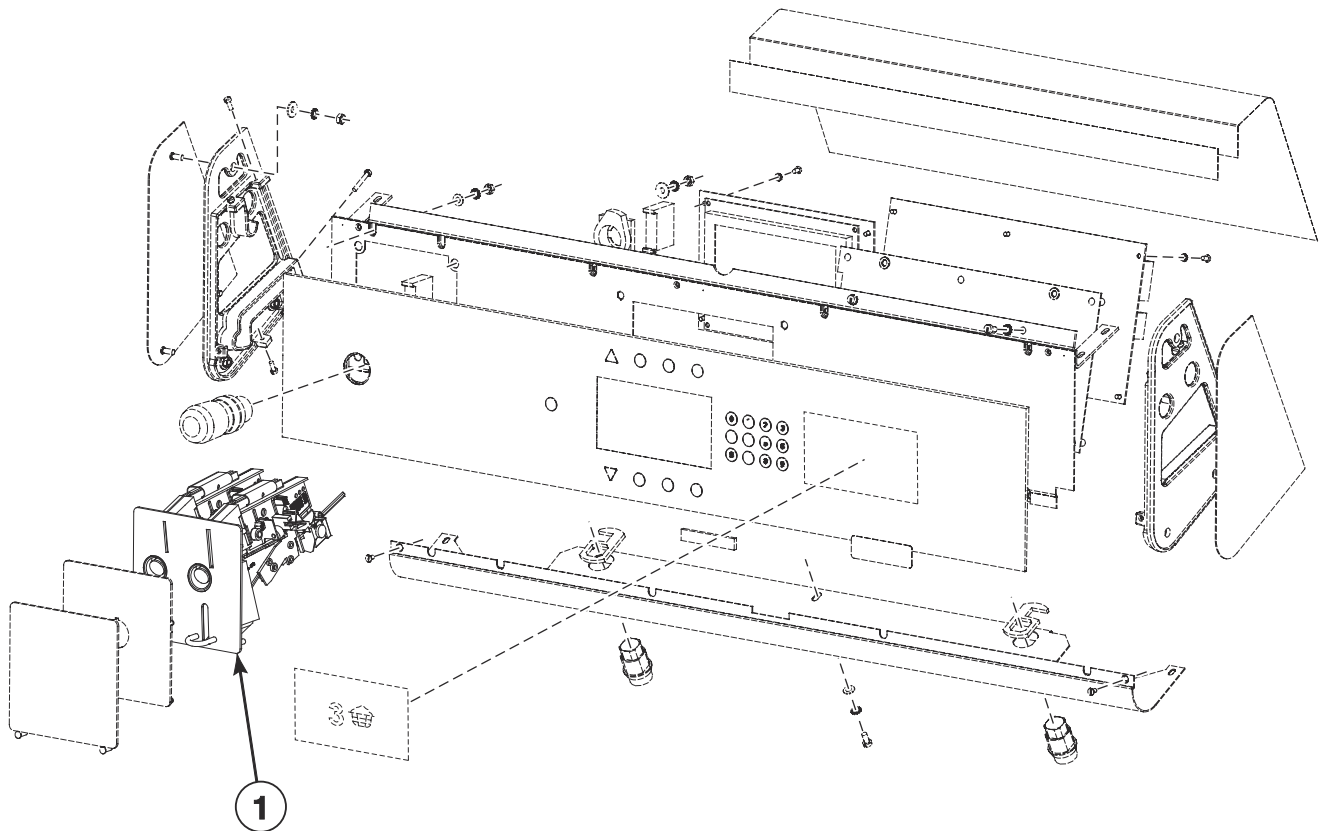
CZW139P_D2410

Control Panel - AF, FX, HX, LY, MWF and PY Models (Drawing 3 of 4)

REF	PART NO.	DESCRIPTION	COMMENTS
1	SP560082	Coin Meter	5k IPSO jeton
	SP560083	Coin Meter	7k IPSO jeton
	SP560084	Coin Meter	10k IPSO jeton
	SP560085	Coin Meter	12k IPSO jeton
	SP560086	Coin Meter	15k IPSO jeton
	561378	Coin Meter	10 Moroccan Dirham
	SP569918	Coin Meter	0.25USD, 1USD, 0.25CAD, 1CAD, 2CAD; Electronic EMPv7
	560073	Coin Meter	0.25 USD/1 USD
	569930	Coin Meter	1CNY, 0.1MYR, 0.2MYR, 0.5MYR; Electronic EMPv7
	569927	Coin Meter	0.2AUD, 1AUD, 2AUD, 0.2NZD, 1NZD, 2NZD, 5HKD, 10HKD, 500KRW; Electronic EMPv7
	SP561496	Coin Meter	Jeton Grupo Azkoyen CDS Automaten
	569936	Coin Meter	1PHP, 5PHP, 10PHP; Electronic EMPv7
	569942	Coin Meter	0.1MYR, 0.2MYR, 0.5MYR, 0.5SGD, 1SGD; Electronic EMPv7
	569945	Coin Meter	1HRK, 2HRK, 5HRK; Electronic EMPv7
	569924	Coin Meter	1DKK, 2DKK, 5DKK, 10DKK, 20DKK, 1NOK, 5NOK, 10NOK, 20NOK, 0.2EUR, 0.5EUR, 1EUR, 2EUR; Electronic EMPv7
	SP564484	Coin Meter	Jeton 118-5
	SP564486	Coin Meter	Jeton Barisart (LDL)
	569961	Coin Meter	0.1EUR, 0.2EUR, 0.5EUR, 1EUR, 2EUR, jeton IPSO 5K; Electronic EMPv7
	SP564489	Coin Meter	Jeton Sporrong
	569970	Coin Meter	0.5MYR, jeton "DOBI PAPA"; Electronic EMPv7
	553150	Coin Meter	Jeton with hole
	553151	Coin Meter	Jeton Deton Wash
	569901	Coin Meter	Brass jeton
	569912	Coin Meter	Jeton Wassalon lavoit
	569954	Coin Meter	1PLN, 2PLN, 5PLN, 0.1EUR, 0.2EUR, 0.5EUR, 1EUR, 2EUR, 10ISK, 50ISK, 100ISK; Electronic EMPv7
	569967	Coin Meter	0.1EUR, 0.2EUR, 0.5EUR, 1EUR, 2EUR, jeton G-FIS "LAVOIR BIANCA"; Electronic EMPv7
	569973	Coin Meter	1AUD, 2AUD, jeton "No Cash Value"; Electronic EMPv7
	569979	Coin Meter	0.5MYR, jeton "BUBBLELAB"; Electronic EMPv7
	569987	Coin Meter	Jeton HAUCK 2018

Control Panel - AF, FX, HX, LY, MWF and PY Models (Drawing 4 of 4)

All Models Except FX and PY Models with H or K in 13th Position



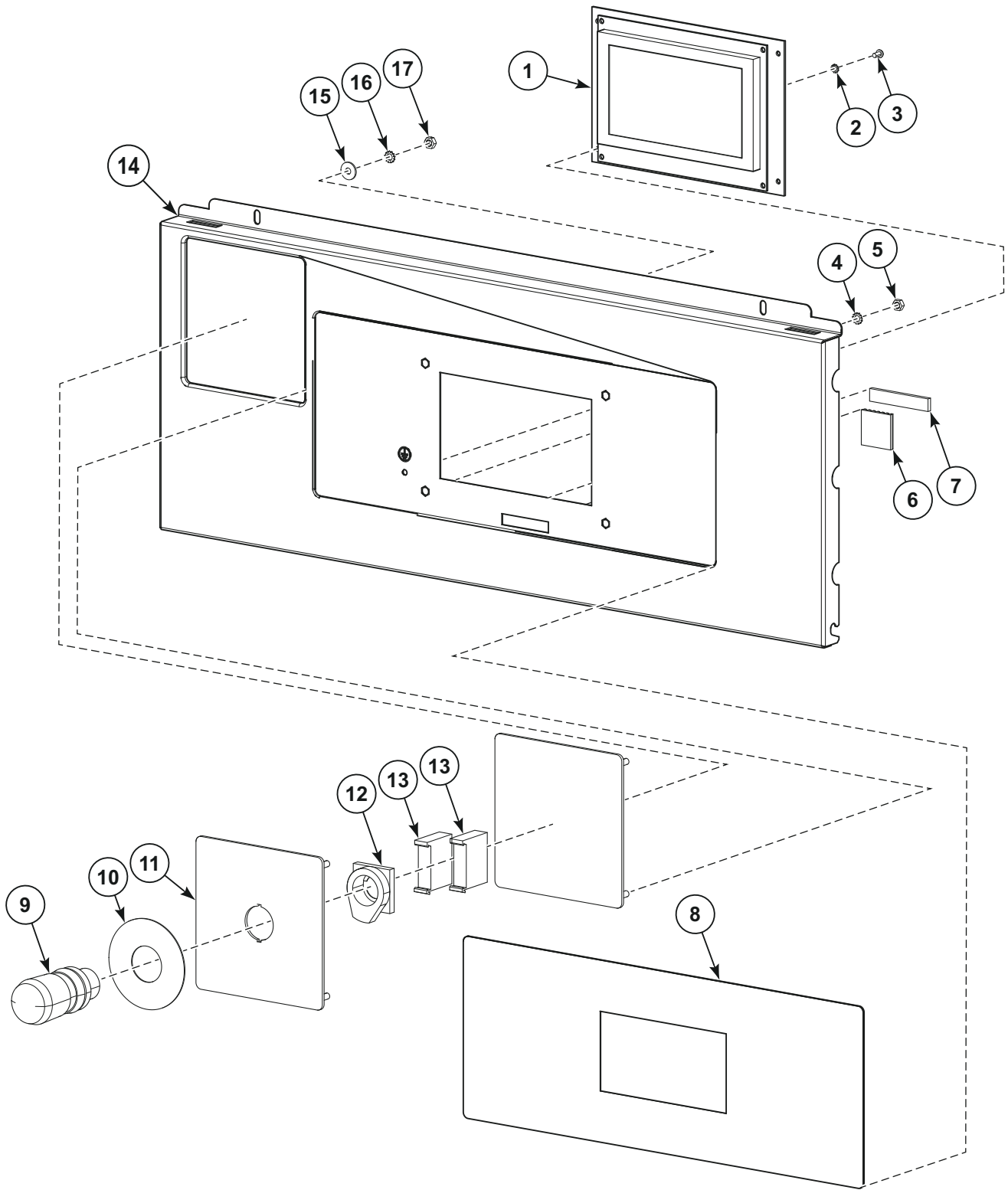
CZW139P_D2410

Control Panel - AF, FX, HX, LY, MWF and PY Models (Drawing 4 of 4)

REF	PART NO.	DESCRIPTION	COMMENTS
1	569998	Coin Meter	100+500 ISK
	572301	Coin Meter	Token 118-16
	572304	Coin Meter	1ILS, 2ILS, 5ILS, 10ILS; Electronic EMPv7
	572307	Coin Meter	1ZAR, 2ZAR, 5ZAR; Electronic EMPv7
	572310	Coin Meter	5RUB, 10RUB; Electronic EMPv7
	572313	Coin Meter	50CLP, 100CLP, 500CLP; Electronic EMPv7
	572317	Coin Meter	100JPY, 500JPY, 10TWD, 50TWD; Electronic EMPv7
	572320	Coin Meter	0.5GEL, 1GEL, 2GEL; Electronic EMPv7
	572323	Coin Meter	0.2 EUR, 0.5EUR, 1EUR, 2EUR, Jeton 7K; Electronic EMPv7
	572326	Coin Meter	20HUF, 50HUF, 100HUF, 200HUF; Electronic EMPv7
	572339	Coin Meter	Getton Jeton (26mm diameter x 1.7mm)
	572343	Coin Meter	Token WH121
	572358	Coin Meter	1THB, 2THB, 5THB, 10THB/TK1+2; Electronic EMPv7
	572383	Coin Meter	0.2CHF, 0.5CHF, 1CHF, 2CHF; TK1, TK2; Electronic EMPv7
	572391	Coin Meter	0.25CAD

Control Panel OPL - AF, IY and NY Models

Models with G, H, J or K in 13th Position except Models with V in 7th Position



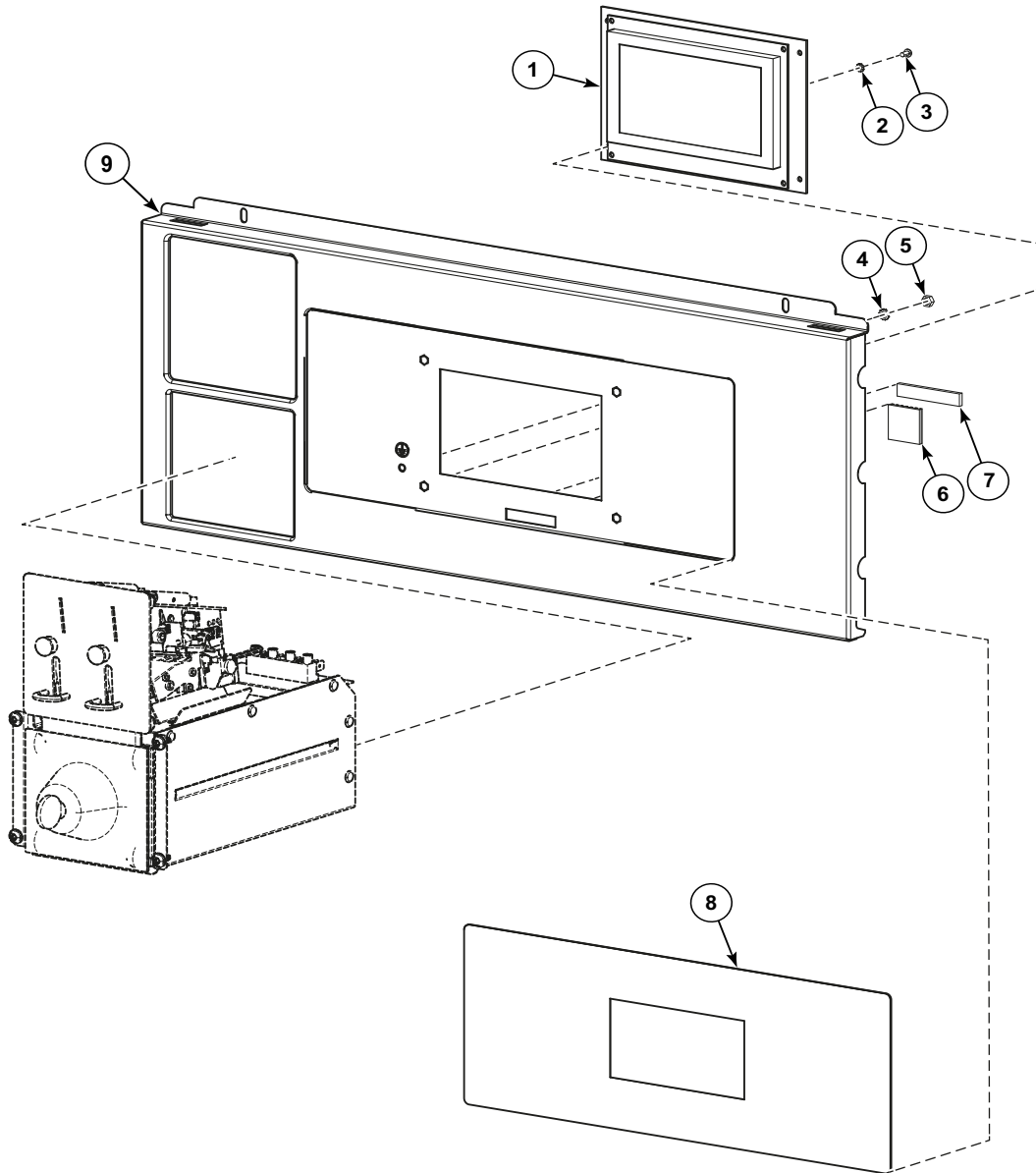
CZW284P_D2410

Control Panel OPL - AF, IY and NY Models

REF	PART NO.	DESCRIPTION	COMMENTS
1	SP553419	Control Board	MC7
	553411	Control Board	AF and NY Models
2	SP311679800003	Washer	M3
3	SP309798500306	Bolt	M3x6
4	SP311679800004	Washer	M4
5	SP310934000004	Nut	M4
6	SP550115	Fastener	
7	SP284000012003	Tape	
8	SP557566	Keyboard	Aries
	SP557565	Keyboard	Aries Elite
	547088	Keyboard	AF and NY Models; Basic; Black
	547087	Keyboard	AF and NY Models; Professional; Black
9	SP528310	Emergency Stop Knob	Used with SP520032 Emergency Stop Wiring
10	SPPRI551005248	Emergency Stop Label	
11	567924	Coin Meter Cover	
12	SP528311	Emergency Stop Connector	
13	SP528312	Switching Unit	
14	573064	Control Panel	
15	SP311902100004	Washer	M4
16	SP311679800004	Washer	M4
17	SP310934000004	Nut	M4

Control Panel Vended - AF, IY and NY Models

Models with G, H, J or K in 13th Position except Models with V in 7th Position



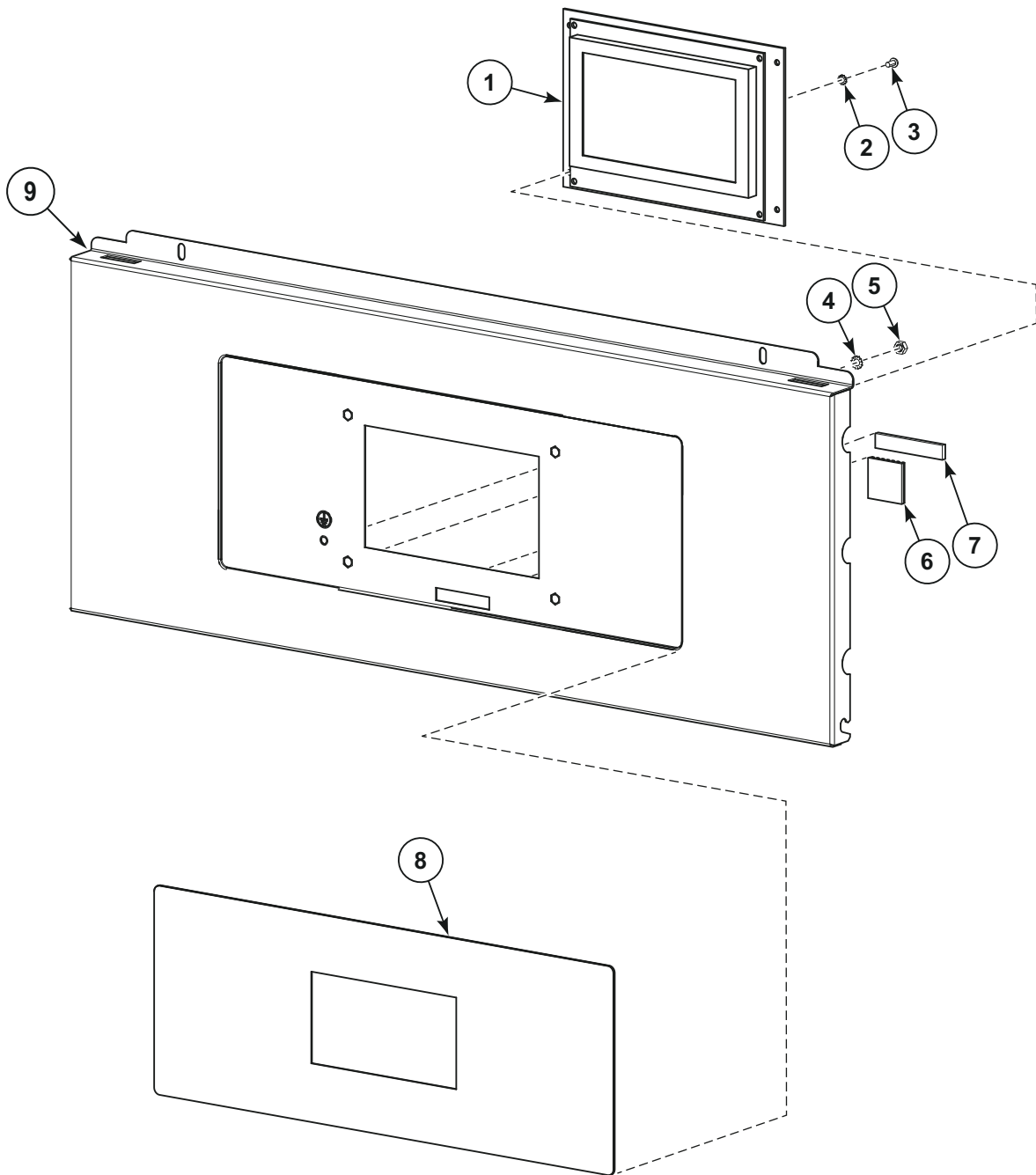
CZW285P_D2410

Control Panel Vended - AF, IY and NY Models

REF	PART NO.	DESCRIPTION	COMMENTS
1	SP553419	Control Board	IY models; MC7
	553411	Control Board	AF and NY Models; MC7
2	SP311679800003	Washer	M3
3	SP309798500306	Bolt	M3x6
4	SP311679800004	Washer	M4
5	SP310934000004	Nut	M4
6	SP550115	Fastener	
7	SP284000012003	Tape	
8	SP557566	Keyboard	IY models; Aries
	547088	Keyboard	AF and NY Models; Basic; Black
9	573062	Control Panel	

Control Panel for Central Payment System - AF, IY and NY Models

Models with G, H, J or K in 13th Position except Models with V in 7th Position



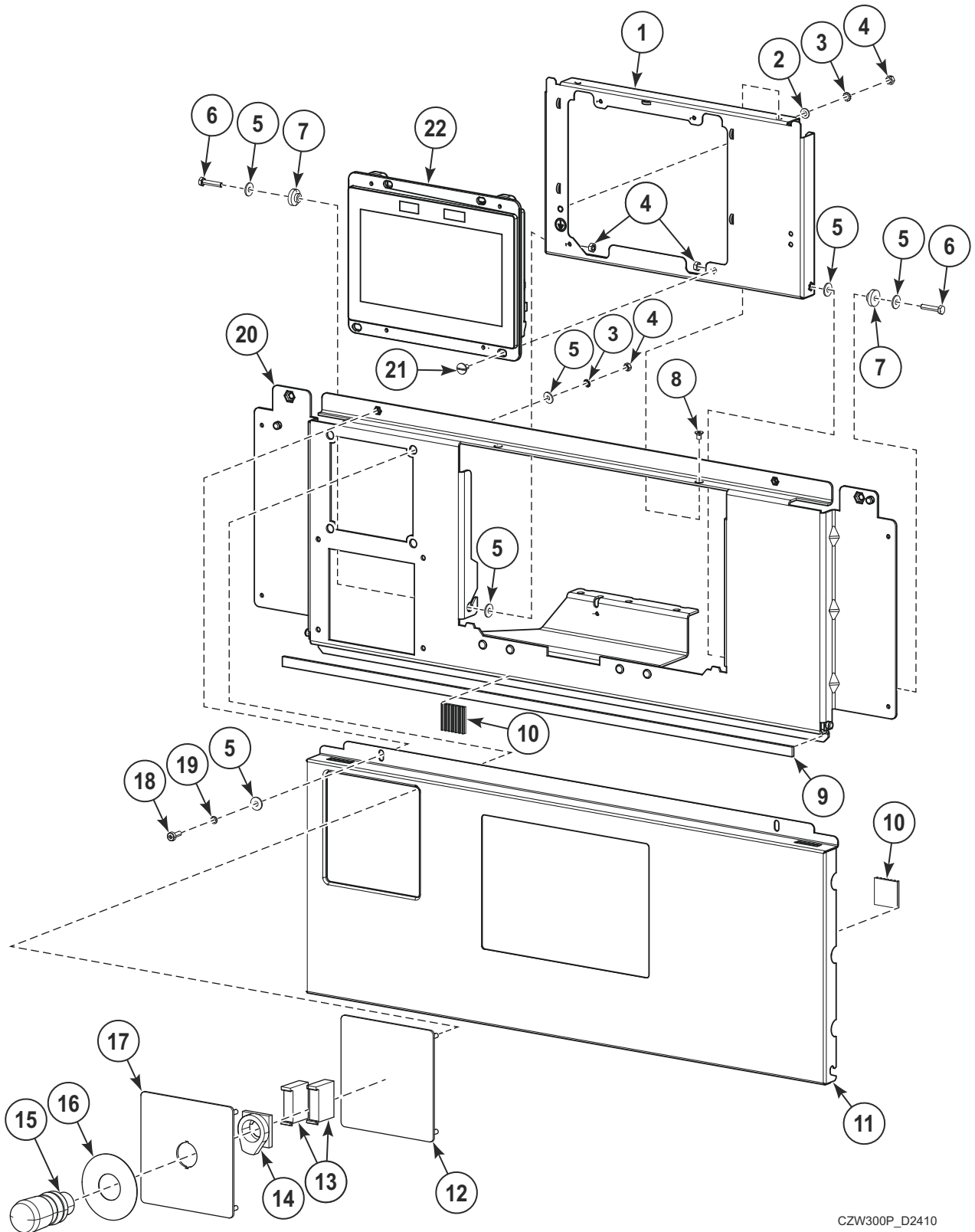
CZW286P_D2410

Control Panel for Central Payment System - AF, IY and NY Models

REF	PART NO.	DESCRIPTION	COMMENTS
1	SP553419	Control Board	IY models; MC7
	553411	Control Board	AF and NY Models; MC7
2	SP311679800003	Washer	M3
3	SP309798500306	Bolt	M3x6
4	SP311679800004	Washer	M4
5	SP310934000004	Nut	M4
6	SP550115	Fastener	
7	SP284000012003	Tape	
8	SP557566	Keyboard	IY models; Aries
	547088	Keyboard	AF and NY Models; Basic; Black
9	573074	Control Panel	

Control Panel OPL - AF, IY and NY Models

Models with V in the 7th Position



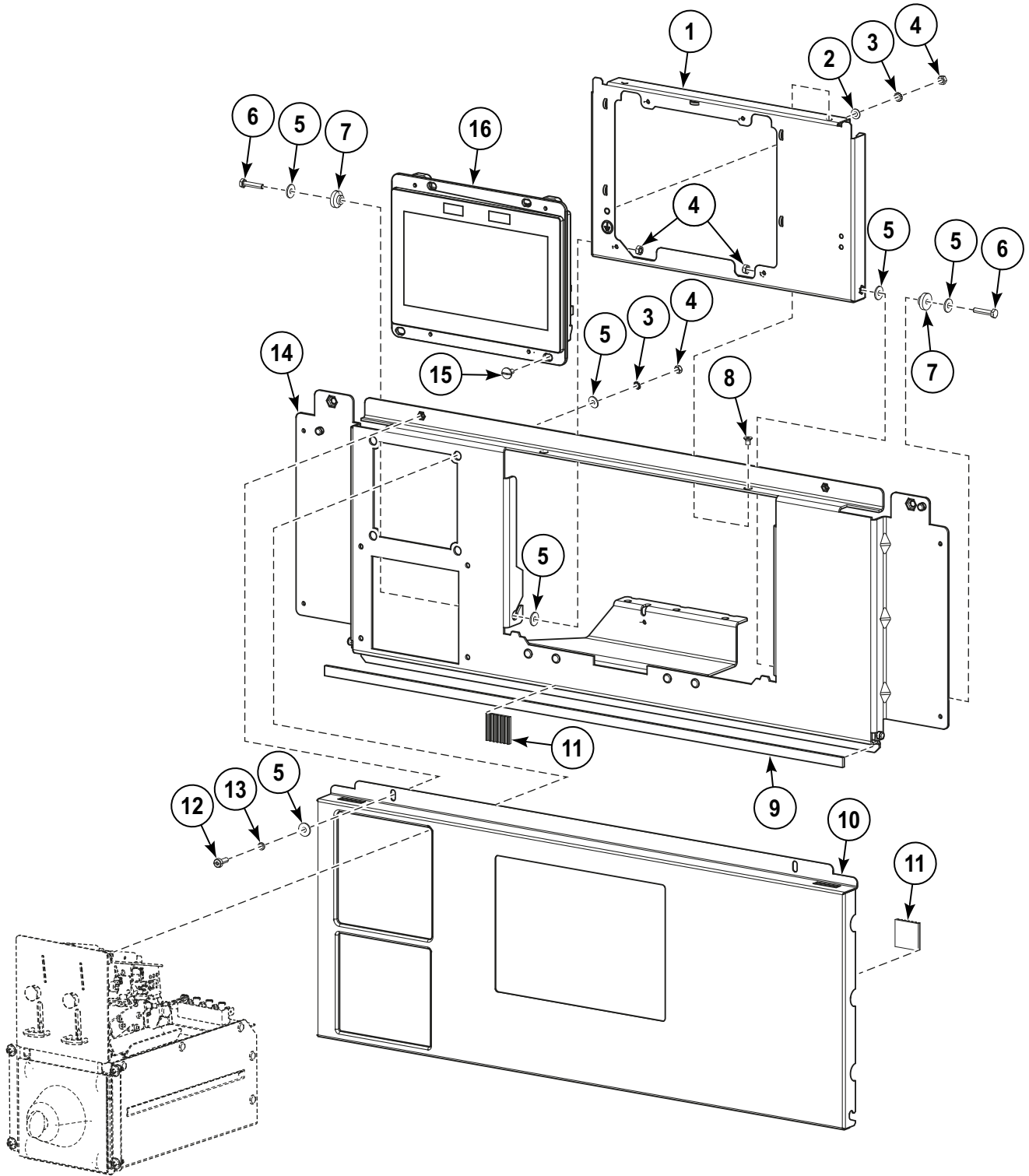
CZW300P_D2410

Control Panel OPL - AF, IY and NY Models

REF	PART NO.	DESCRIPTION	COMMENTS
1	571041	Control Holder	
2	SP311125000004	Washer	M4
3	SP311679800004	Washer	M4
4	SP310934000004	Nut	M4
5	SP311902100004	Washer	M4
6	569655	Bolt	M4x25
7	SP550113	Leading Pin	
8	SP309965240408	Bolt	M4x8
9	SP284000012003	Tape	0.558m
10	SP550115	Fastener	
11	573117	Control Panel	
12	567925	Label Covering	
13	SP528312	Switching Unit	
14	SP528311	Emergency Stop Connector	
15	SP528310	Emergency Stop Knob	Used with SP520032 Emergency Stop Wiring
16	SPPRI551005248	Emergency Stop Label	
17	567924	Coin Meter Cover	
18	SP555504	Bolt	M4x12
19	SP311127000004	Washer	4
20	573025	Control Panel Frame	
21	309500240408	Bolt	M4x8
22	575632	Control	

Control Panel Vended - AF, IY and NY Models

Models with V in the 7th Position



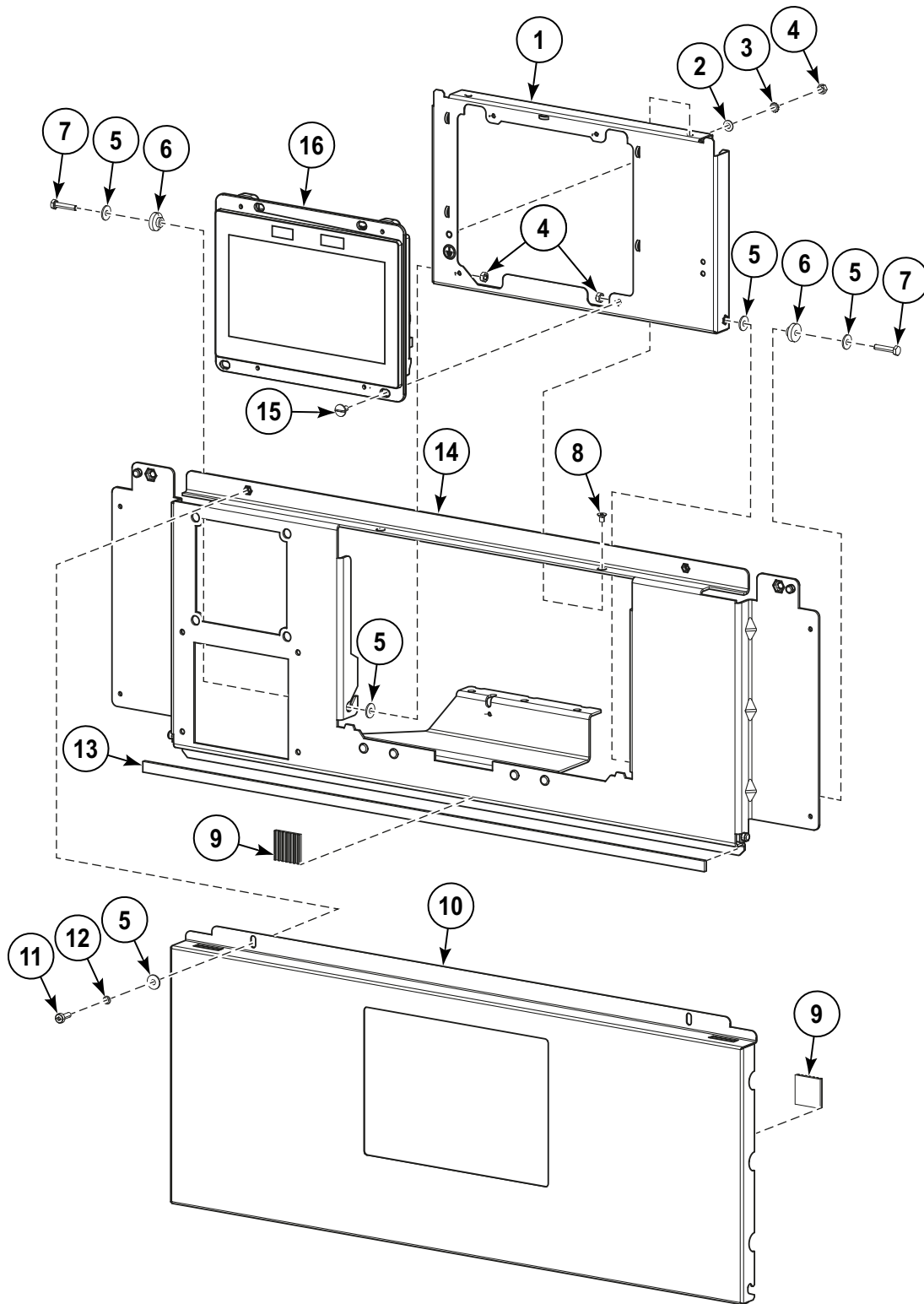
CZW301P_D2410

Control Panel Vended - AF, IY and NY Models

REF	PART NO.	DESCRIPTION	COMMENTS
1	571041	Control Holder	
2	SP311125000004	Washer	M4
3	SP311679800004	Washer	M4
4	SP310934000004	Nut	M4
5	SP311902100004	Washer	M4
6	569655	Bolt	M4x25
7	SP550113	Leading Pin	
8	SP309965240408	Bolt	M4x8
9	SP284000012003	Tape	0.558m
10	573119	Control Panel	
11	SP550115	Fastener	
12	SP555504	Bolt	M4x12
13	SP311127000004	Washer	4
14	573025	Control Panel Frame	
15	309500240408	Bolt	M4x8
16	575632	Control	

Control Panel for Central Payment System - AF, IY and NY Models

Models with V in the 7th Position



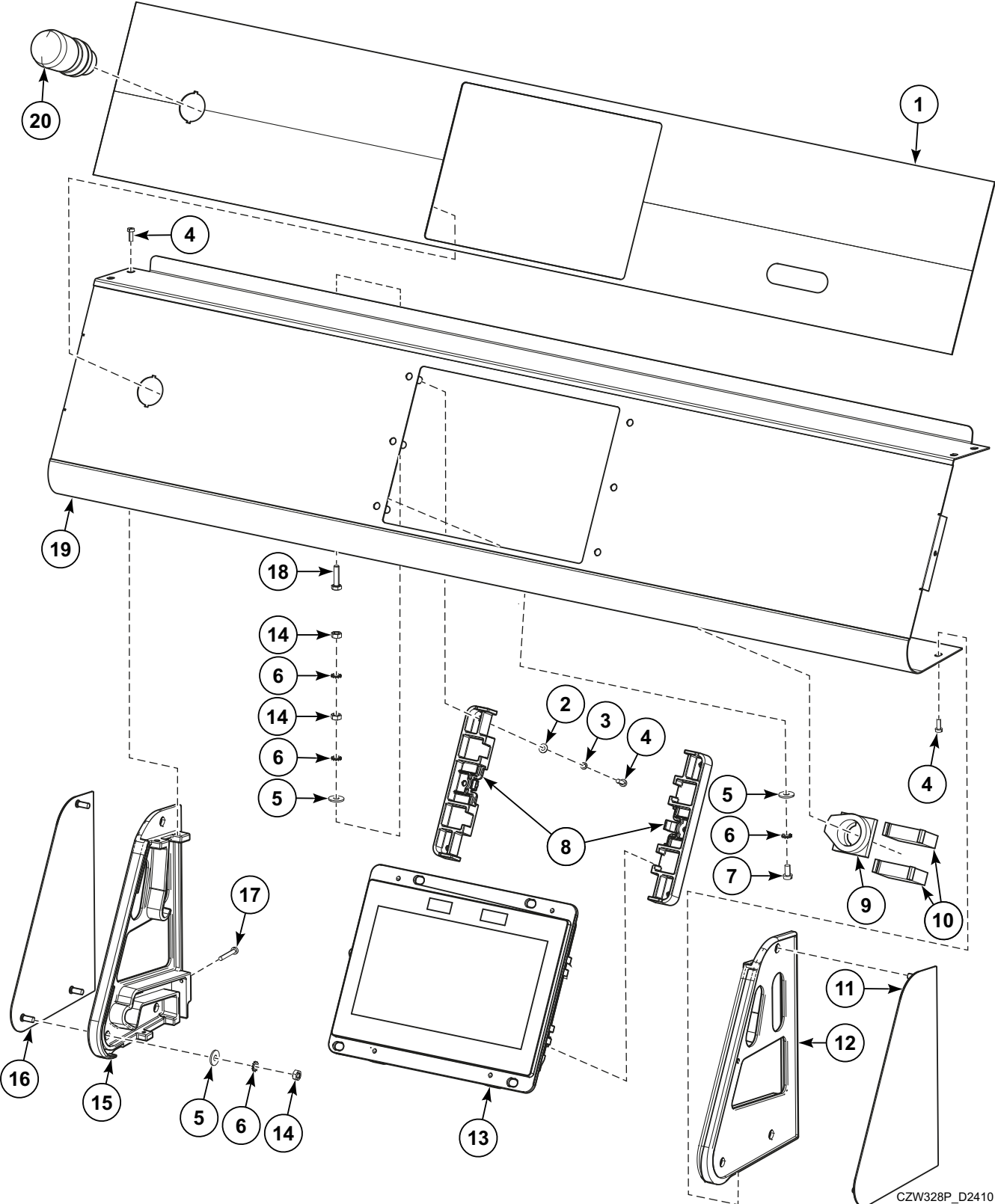
CZW302P_D2410

Control Panel for Central Payment System - AF, IY and NY Models

REF	PART NO.	DESCRIPTION	COMMENTS
1	571041	Control Holder	
2	SP311125000004	Washer	M4
3	SP311679800004	Washer	M4
4	SP310934000004	Nut	M4
5	SP311902100004	Washer	M4
6	SP550113	Leading Pin	
7	569655	Bolt	M4x25
8	SP309965240408	Bolt	M4x8
9	SP550115	Fastener	
10	573119	Control Panel	
11	SP555504	Bolt	M4x12
12	SP311127000004	Washer	4
13	SP284000012003	Tape	0.558m
14	573025	Control Panel Frame	
15	309500240408	Bolt	M4x8
16	575632	Control	

Control Panel - X Control Flex OPL

FX and PY Models with H or K in 13th Position



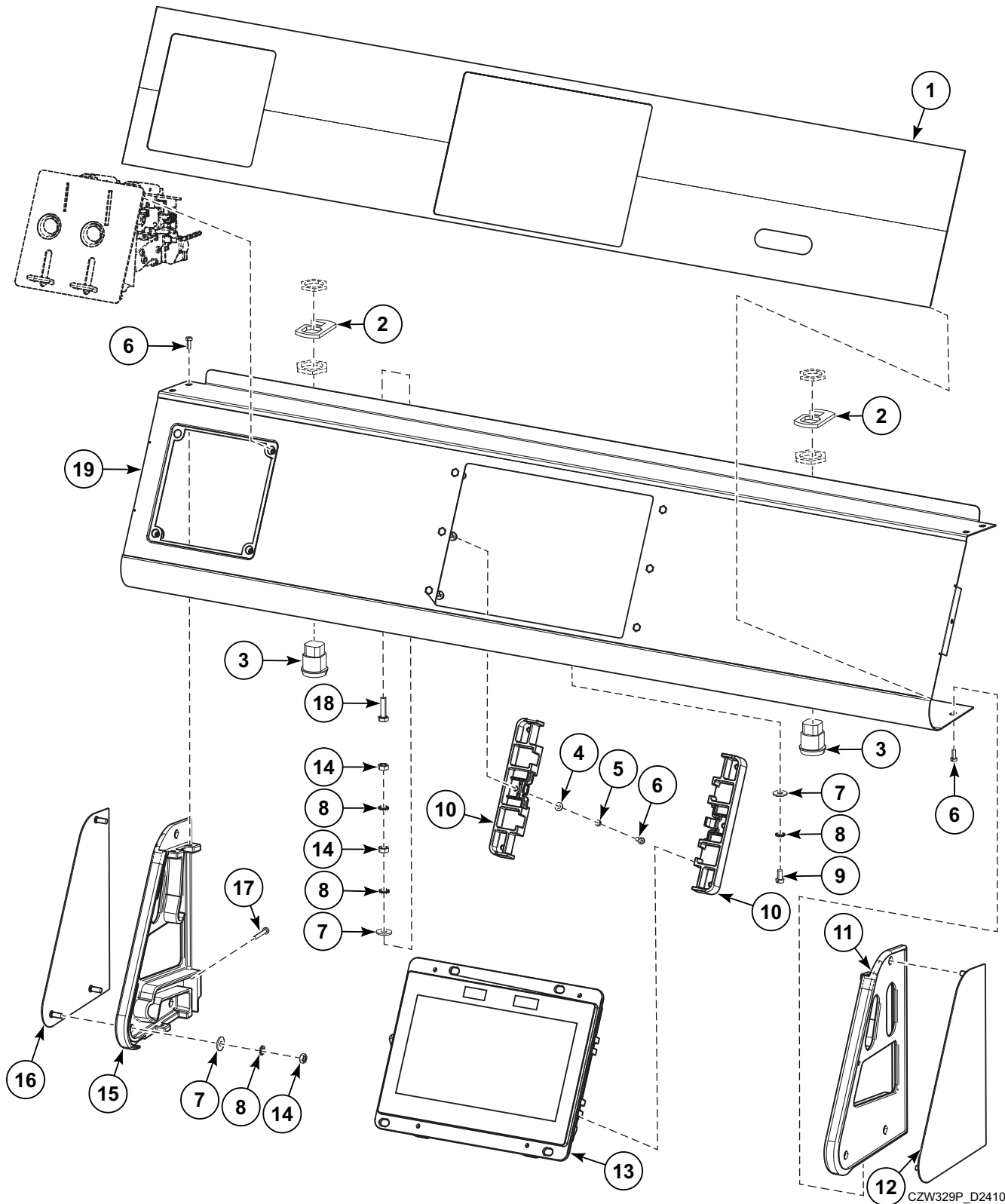
CZW328P_D2410

Control Panel - X Control Flex OPL

REF	PART NO.	DESCRIPTION	COMMENTS
1	573927	Overlay	
	574217	Overlay	OEM
2	SP311125000003	Washer	M3
3	SP311127000003	Washer	3
4	SP309084000308	Bolt	M3x8
5	SP311902100004	Washer	M4
6	SP311679800004	Washer	M4
7	SP309084000408	Bolt	M4x8
8	573929	Sidewall	
9	SP528311	Emergency Stop Connector	
10	SP528312	Switching Unit	
11	572586	Sidewall	Right
12	572572	Sidewall	Right
13	575632	Control	7", MC10
14	SP310934000004	Nut	M4
15	572571	Sidewall	Left
16	572588	Sidewall	Left
17	SP309084000320	Bolt	M3x20
18	SP309933000416	Bolt	M4x16
19	572582	Nose Assembly	Includes item 1 and 573930 Nut
	574235	Nose Assembly	OEM; Includes item 1 and 573930 Nut
20	SP528310	Emergency Stop Knob	Used with SP520032 Emergency Stop Wiring

Control Panel - X Control Flex for Coin Meter

FX and PY Models with H or K in 13th Position



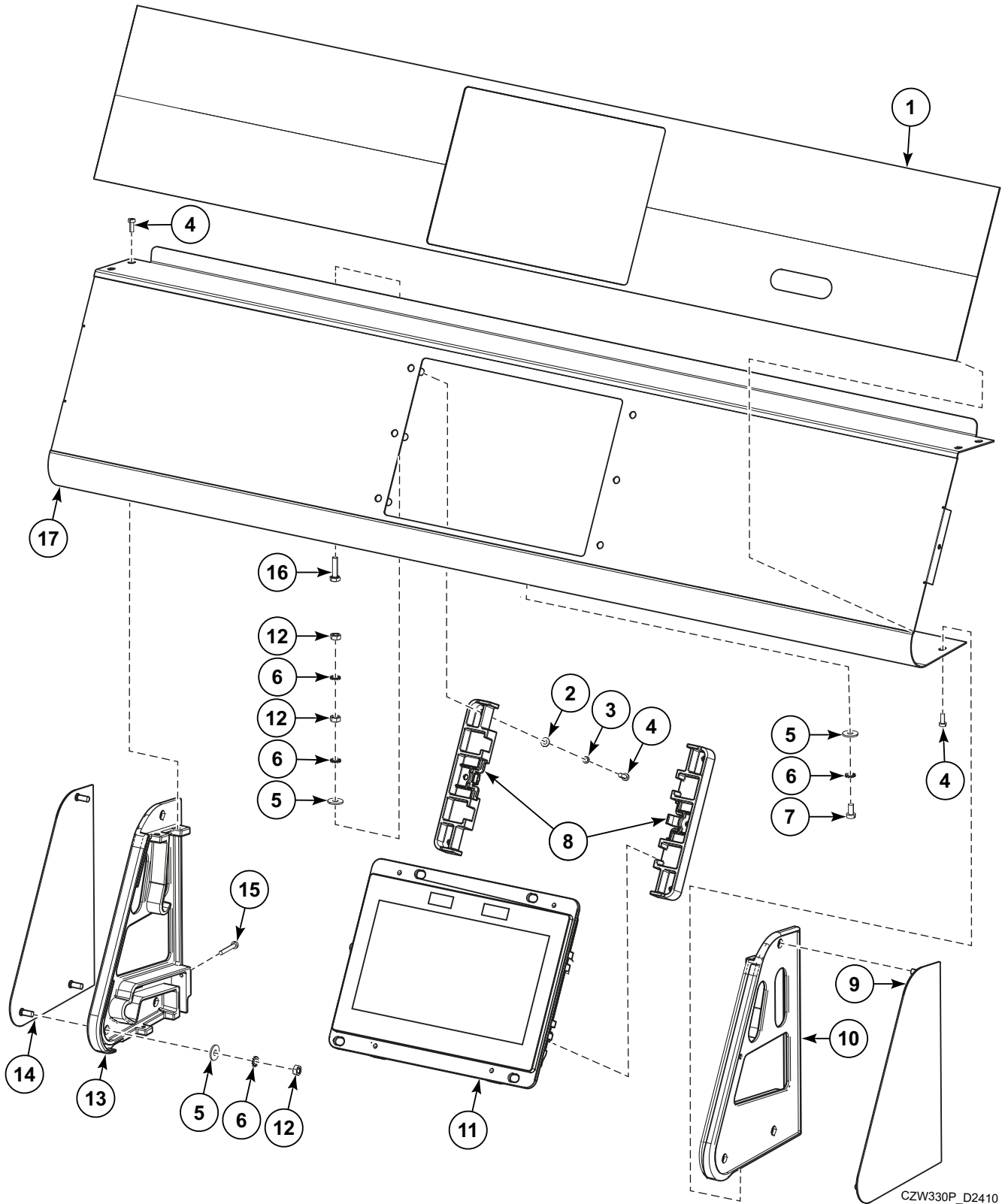
CZW329P_D2410

Control Panel - X Control Flex for Coin Meter

REF	PART NO.	DESCRIPTION	COMMENTS
	SP520033	Emergency Stop Interconnection	
1	573936	Overlay	
	574220	Overlay	OEM
2	SPPRI610002007	Hook Lock	
3	SP547527	Lock	Includes Nuts – 2 pieces
	SP550616	Key	Used with SP547527 Lock
4	SP311125000003	Washer	M3
5	SP311127000003	Washer	3
6	SP309084000308	Bolt	M3x8
7	SP311902100004	Washer	M4
8	SP311679800004	Washer	M4
9	SP309084000408	Bolt	M4x8
10	573929	Sidewall	
11	573929	Sidewall	Right
12	572586	Sidewall	Right
13	575632	Control	7", MC10
14	SP310934000004	Nut	M4
15	572571	Sidewall	Left
16	572588	Sidewall	Left
17	SP309084000320	Bolt	M3x20
18	SP309933000416	Bolt	M4x16
19	574126	Nose Assembly	Includes item 1 and 573930 Nut
	574238	Nose Assembly	OEM; Includes item 1 and 573930 Nut

Control Panel - X Control Flex for Central Payment System

FX and PY Models with H or K in 13th Position



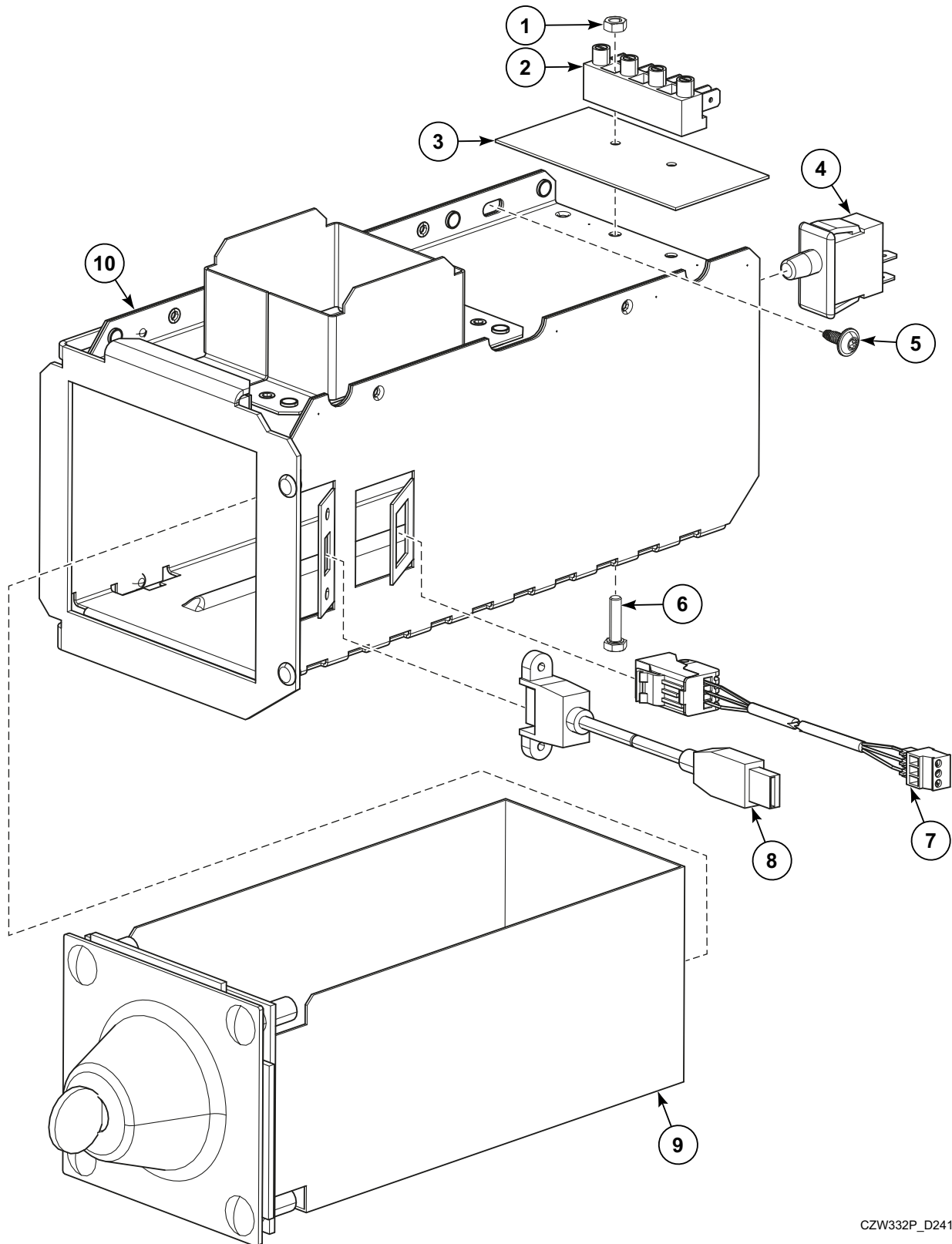
CZW330P_D2410

Control Panel - X Control Flex for Central Payment System

REF	PART NO.	DESCRIPTION	COMMENTS
	571485	Emergency Stop Interconnection	
1	573951	Overlay	
	574223	Overlay	OEM
2	SP311125000003	Washer	M3
3	SP311127000003	Washer	3
4	SP309084000308	Bolt	M3x8
5	SP311902100004	Washer	M4
6	SP311679800004	Washer	M4
7	SP309084000408	Bolt	M4x8
8	573929	Sidewall	
9	572586	Sidewall	Right
10	572572	Sidewall	Right
11	575632	Control	7", MC10
12	SP310934000004	Nut	M4
13	572571	Sidewall	Left
14	572588	Sidewall	Left
15	SP309084000320	Bolt	M3x20
16	SP309933000416	Bolt	M4x16
17	573954	Nose Assembly	Includes item 1 and 573930 Nut
	574241	Nose Assembly	OEM; Includes item 1 and 573930 Nut

Coin Meter Box

All Models EXcept AF, IY and NY Models with G, H, J or K in 13th Position



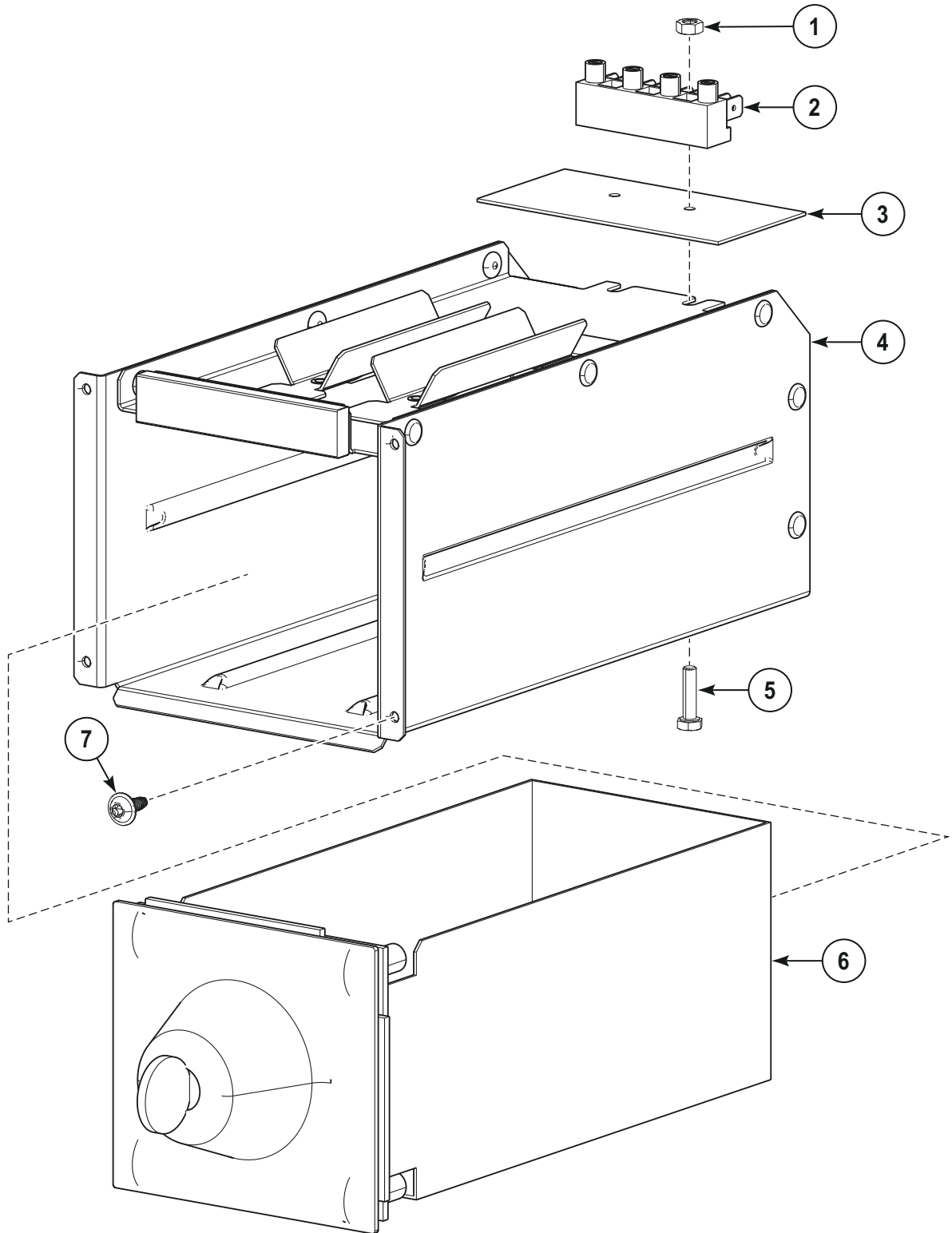
CZW332P_D2410

Coin Meter Box

REF	PART NO.	DESCRIPTION	COMMENTS
1	SP310934000004	Nut	M4
2	SPPRI350000007	Terminal Board	
3	SPPRI350012007	Isolation Paper	
4	N/A	Microswitch	
5	SP529206	Screw	4x11
6	SP309933000416	Bolt	M4x16
7	SP545234	Cable	With connectors; RS485
8	569668	USB Cable	
9	SP102532	Coin Meter Box	
	100498	Coin Meter Box	Large; FX and PY models with H or K in 13th Position
10	571049	Coin Meter Case	
	571055	Coin Meter Case	Large; FX and PY models with H or K in 13th Position

N/A = Part no longer available

Coin Meter Box - AF, IY and NY Models



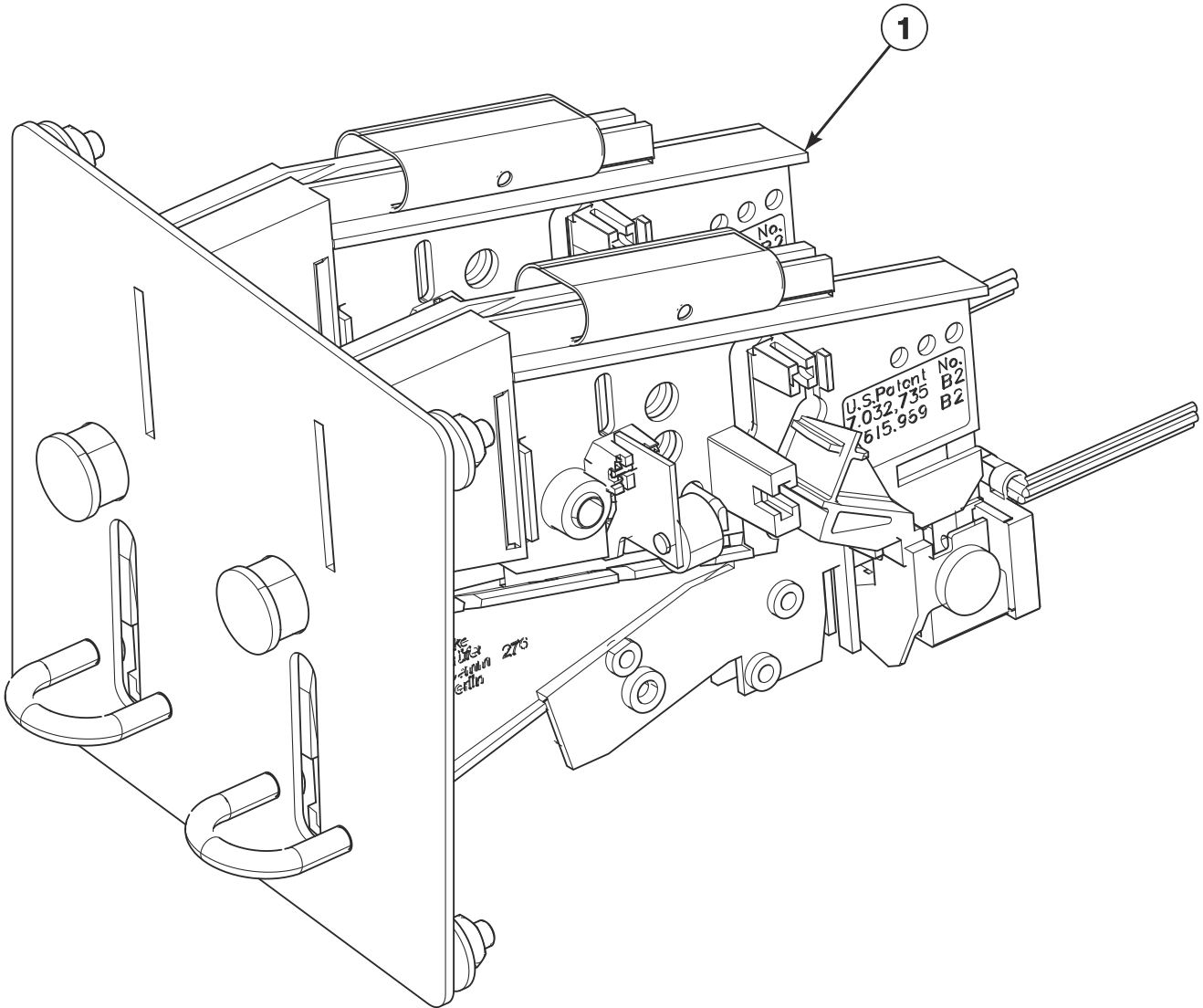
CZW287P_D2410

Coin Meter Box - AF, IY and NY Models

REF	PART NO.	DESCRIPTION	COMMENTS
1	SP310934000004	Nut	M4
2	SPPRI350000007	Terminal Board	
3	SPPRI350012007	Isolation Paper	
4	573009	Coin Meter Case	
5	SP309933000416	Bolt	M4x16
6	568036	Coin Meter Box	
7	SP529206	Screw	4x11

Coin Meter Box - AF, IY and NY Models (Drawing 1 of 3)

AF, IY and NY Models with G, H, J or K in 13th Position



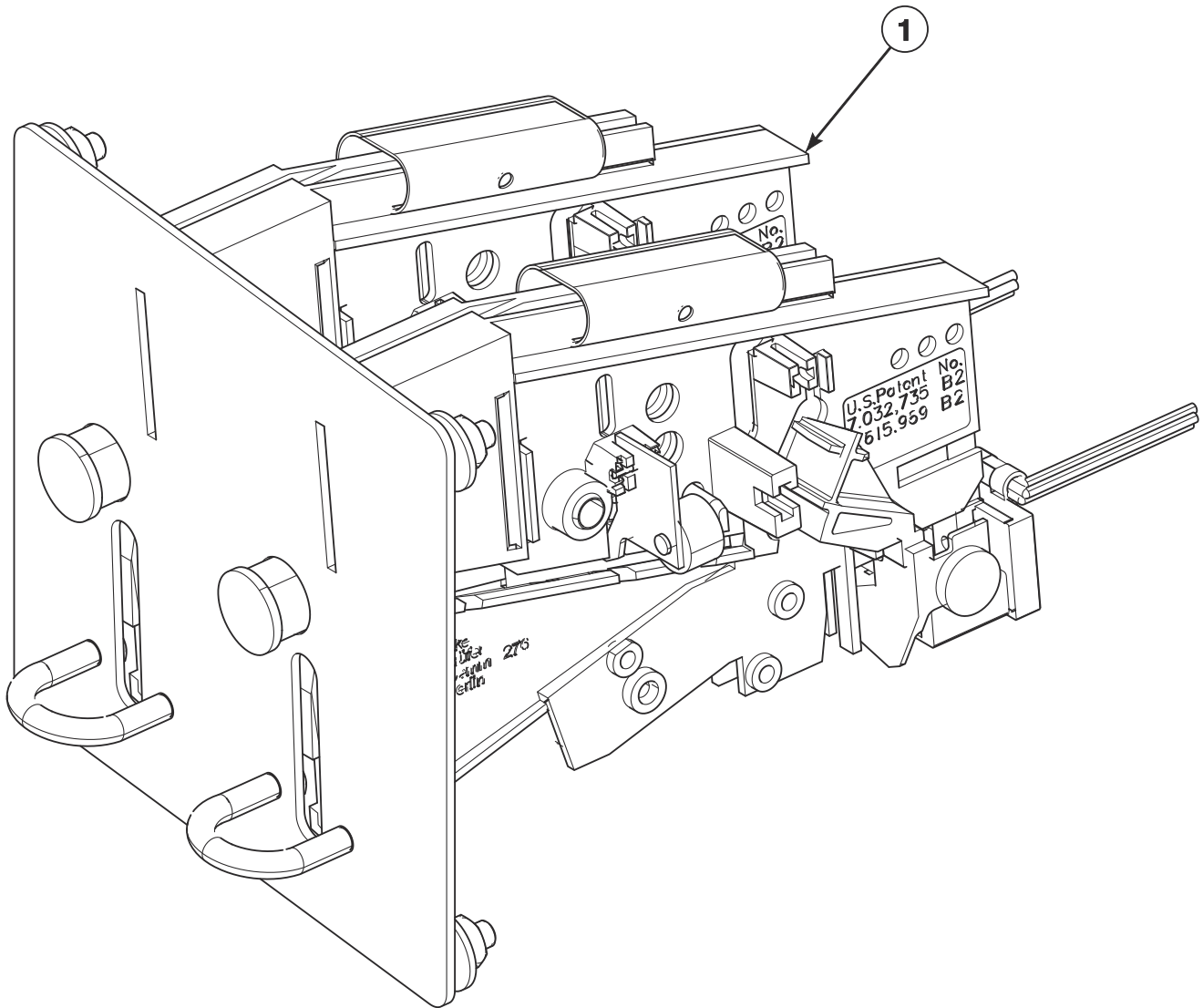
CZW233P_D2410

Coin Meter Box - AF, IY and NY Models (Drawing 1 of 3)

REF	PART NO.	DESCRIPTION	COMMENTS
1	SP568002	Coin Meter	GBP / EUR; Electronic EMPv7
	SP568003	Coin Meter	5K jeton
	SP568004	Coin Meter	7K jeton
	SP568005	Coin Meter	10K jeton
	SP568006	Coin Meter	12K jeton
	SP568007	Coin Meter	15K jeton
	SP568008	Coin Meter	0.5EUR + 1EUR
	SP568009	Coin Meter	1EUR
	SP568010	Coin Meter	0.5EUR
	SP568011	Coin Meter	1EUR + 2EUR
	SP568012	Coin Meter	2EUR
	SP568013	Coin Meter	0.2EUR + 0.5EUR
	SP568014	Coin Meter	0.2EUR
	SP568015	Coin Meter	1EUR + 0.2EUR
	SP568016	Coin Meter	2EUR + 0.5EUR
	SP568017	Coin Meter	0.25EUR
	575201	Coin Meter	5K PRIMUS jeton
	575202	Coin Meter	10K PRIMUS jeton
	575203	Coin Meter	STD 118-1 jeton
	575204	Coin Meter	7K PRIMUS jeton
	575205	Coin Meter	12K PRIMUS jeton
	575206	Coin Meter	15K PRIMUS jeton
	575207	Coin Meter	1AUD + 0.2AUD
	575208	Coin Meter	1POND + 20PC
	575209	Coin Meter	1POND + 50PC
	575210	Coin Meter	100YEN
	575211	Coin Meter	100YEN + 500YEN
	575212	Coin Meter	1AUD + 2AUD
	575213	Coin Meter	1AUD
	575214	Coin Meter	20 penny
	575215	Coin Meter	50 New Malaysian cent

Coin Meter Box - AF, IY and NY Models (Drawing 2 of 3)

AF, IY and NY Models with G, H, J or K in 13th Position



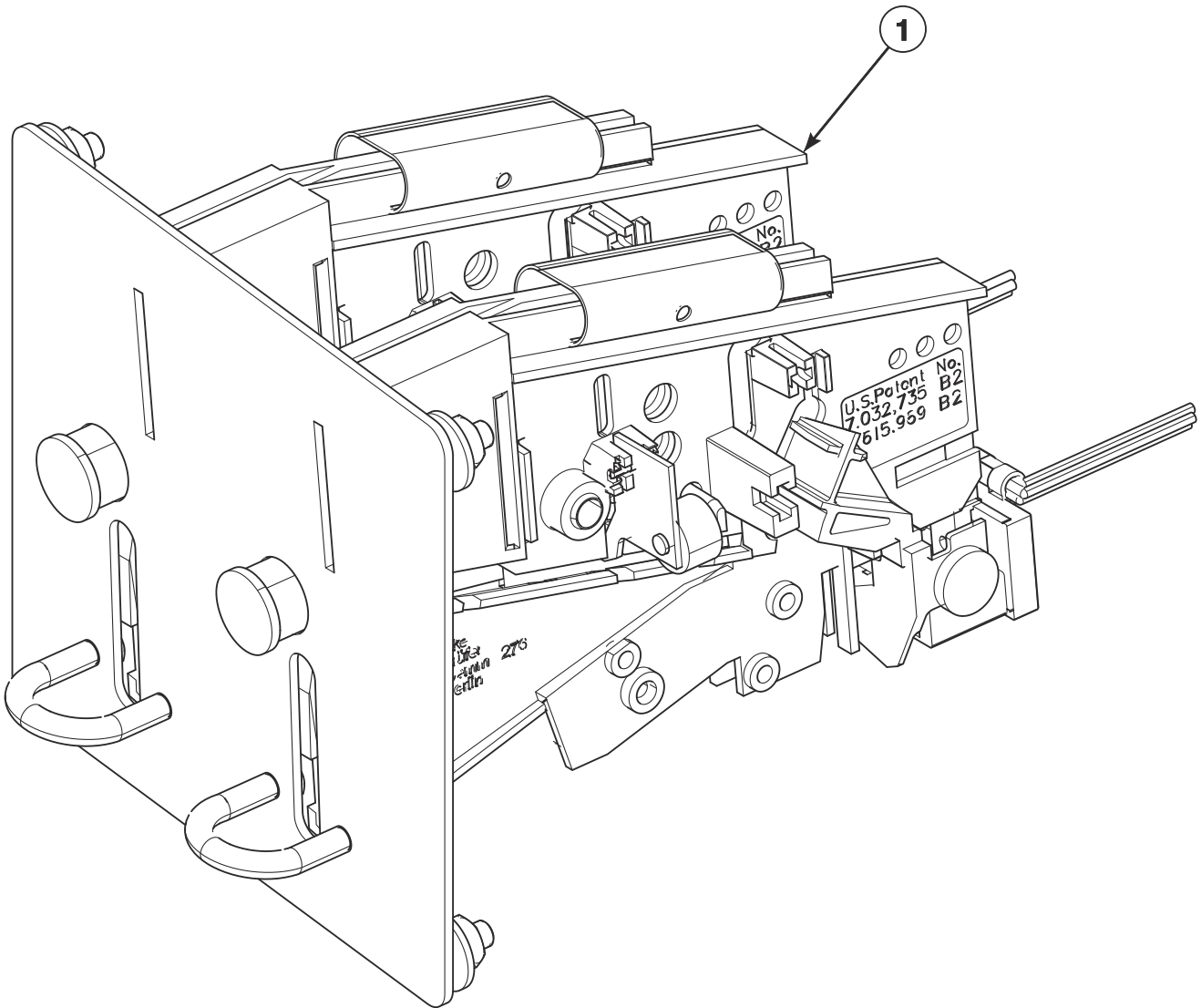
CZW233P_D2410

Coin Meter Box - AF, IY and NY Models (Drawing 2 of 3)

REF	PART NO.	DESCRIPTION	COMMENTS
1	575216	Coin Meter	1 New Singapore dollar
	575217	Coin Meter	2x50 Malaysian cent
	575218	Coin Meter	1 Singapore dollar
	575219	Coin Meter	1NZD and 2NZD
	575220	Coin Meter	Easy games jeton
	575221	Coin Meter	Flat polis jeton
	575222	Coin Meter	Butzi wash jeton
	575223	Coin Meter	Speedy matic jeton
	575224	Coin Meter	Laundromatic Belgium jeton; Diameter 22.3mm
	575225	Coin Meter	500WON
	575226	Coin Meter	Dobi ekspres jeton
	575227	Coin Meter	Lucky winner jeton
	575228	Coin Meter	Gettone jeton
	575229	Coin Meter	10 Taiwan dollar
	575230	Coin Meter	Electrolux Asard jeton
	575231	Coin Meter	Gettone jeton
	575232	Coin Meter	5+1 Shekel
	575233	Coin Meter	1HKD
	575234	Coin Meter	Jeton Prinz Firbitex
	575235	Coin Meter	Token Ldl Chamberland Washing Machine
	575236	Coin Meter	Token 118-5
	575237	Coin Meter	Token Barisart (Ldl)
	575238	Coin Meter	Token Rotondi
	575239	Coin Meter	Brass jeton
	575240	Coin Meter	0.5CHF + 2CHF
	575241	Coin Meter	Jeton HAUCK 2018
	575242	Coin Meter	Jeton 08 MS, diameter 24.9mm
	575243	Coin Meter	Jeton D
	575244	Coin Meter	10+50 TWD
	575245	Coin Meter	100+500 ISK
	575246	Coin Meter	Token 118-16
	575247	Coin Meter	Token WH121
	575248	Coin Meter	Token Nr. 1699360

Coin Meter Box - AF, IY and NY Models (Drawing 3 of 3)

AF, IY and NY Models with G, H, J or K in 13th Position



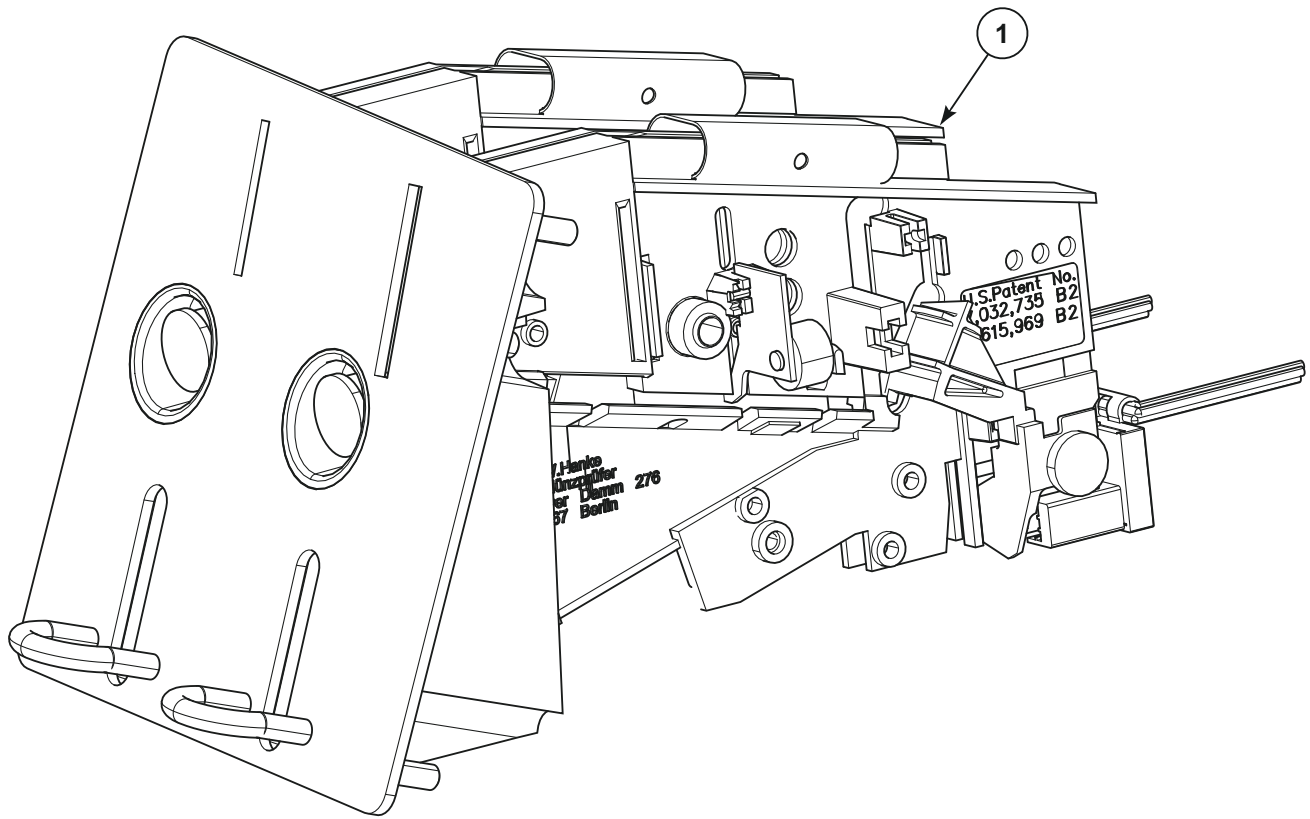
CZW233P_D2410

Coin Meter Box - AF, IY and NY Models (Drawing 3 of 3)

REF	PART NO.	DESCRIPTION	COMMENTS
1	575278	Coin Meter	0.25USD + 1USD
	575279	Coin Meter	0.25CAD + 1CAD
	575249	Coin Meter	0.25USD + 1USD; 0.25CAD + 1CAD + 2CAD; TK1 + TK2; Electronic EMPv7
	568002	Coin Meter	0.2GBP + 0.5GBP + 1GBP + 2GBP; 0.1EUR + 0.2EUR + 0.5EUR + 1EUR + 2EUR; TK1 + TK2; Electronic EMPv7
	575250	Coin Meter	1DKK + 2DKK + 5DKK + 10DKK + 20DKK; 1NOK + 5NOK + 10NOK + 20NOK; 0.2EUR + 0.5EUR + 1EUR + 2EUR; TK1 + TK2; Electronic EMPv7
	575251	Coin Meter	0.2AUD + 1AUD + 2AUD; 0.2NZD + 1NZD + 2NZD; 5HKD + 10HKD; 500KRW; TK1 + TK2; Electronic EMPv7
	575252	Coin Meter	1CNY; 0.1MYR + 0.2MYR + 0.5MYR; TK1 + TK2; Electronic EMPv7
	575253	Coin Meter	0.1EUR + 0.2EUR + 0.5EUR + 1EUR + 2EUR; TK1 + TK2; Electronic EMPv7
	575254	Coin Meter	1PHP + 5PHP + 10PHP; TK1 + TK2; Electronic EMPv7
	575255	Coin Meter	0.1SGD + 0.2SGD + 0.5SGD + 1SGD; TK1 + TK2; Electronic EMPv7
	575256	Coin Meter	0.1MYR + 0.2MYR + 0.5MYR (old/new); 0.5SGD + 1SGD (old/new); TK1 + TK2; Electronic EMPv7
	575257	Coin Meter	1HRK + 2HRK + 5HRK; TK1 + TK2; Electronic EMPv7
	575258	Coin Meter	5CZK + 10CZK + 20CZK + 50CZK; Token Primus 7K; TK1 + TK2; Electronic EMPv7
	575259	Coin Meter	0.5MAD + 1MAD + 2MAD + 5MAD + 10MAD; TK1 + TK2; Electronic EMPv7
	575260	Coin Meter	1PLN + 2PLN + 5PLN; 0.1EUR + 0.2EUR + 0.5EUR + 1EUR + 2EUR; 10ISK + 50ISK + 100ISK; TK1 + TK2; Electronic EMPv7
	575261	Coin Meter	0.1EUR + 0.2EUR + 0.5EUR + 1EUR + 2EUR; jeton IPSO 5K; TK1 + TK2; Electronic EMPv7
	575262	Coin Meter	0.2GBP + 0.5GBP + 1GBP + 2GBP; 0.1EUR + 0.2EUR + 0.5EUR + 1EUR + 2EUR; TK1: jeton Gettone; TK2: jeton "KLW Aqua"; Electronic EMPv7
	575263	Coin Meter	0.1EUR + 0.2EUR + 0.5EUR + 1EUR + 2EUR, jeton G-FIS "LAVOIR BIANCA" (20x1.8); TK1 + TK2; Electronic EMPv7
	575264	Coin Meter	0.5MYR; jeton "DOBI PAPA" (22.5x2); TK1 + TK2; Electronic EMPv7
	575265	Coin Meter	1AUD + 2AUD, jeton "No Cash Value" (28.6x1.58); TK1 + TK2; Electronic EMPv7
	575266	Coin Meter	0.5MYR; jeton "BUBBLELAB"; TK1 + TK2; Electronic EMPv7
	575267	Coin Meter	1ILS + 2ILS + 5ILS + 10ILS; TK1 + TK2; Electronic EMPv7
	575268	Coin Meter	1ZAR + 2ZAR + 5ZAR; TK1 + TK2; Electronic EMPv7
	575269	Coin Meter	5RUB + 10RUB; TK1 + TK2; Electronic EMPv7
	575270	Coin Meter	50CLP + 100CLP + 500CLP; TK1 + TK2; Electronic EMPv7
	575271	Coin Meter	100JPY + 500JPY; 10TWD + 50TWD; TK1 + TK2; Electronic EMPv7
	575272	Coin Meter	0.5GEL + 1GEL + 2GEL; TK1 + TK2; Electronic EMPv7
	575273	Coin Meter	0.1EUR + 0.2 EUR + 0.5EUR + 1EUR + 2EUR; Jeton 7K; TK1 + TK2; Electronic EMPv7
	575274	Coin Meter	20HUF + 50HUF + 100HUF + 200HUF; TK1 + TK2; Electronic EMPv7
	575275	Coin Meter	1THB + 2THB + 5THB + 10THB; TK1 + TK2; Electronic EMPv7
	572386	Coin Meter	0.2CHF + 0.5CHF + 1CHF + 2CHF; TK1 + TK2; Electronic EMPv7

Coin Meter (Drawing 1 of 3)

FX and PY Models with H or K in 13th Position



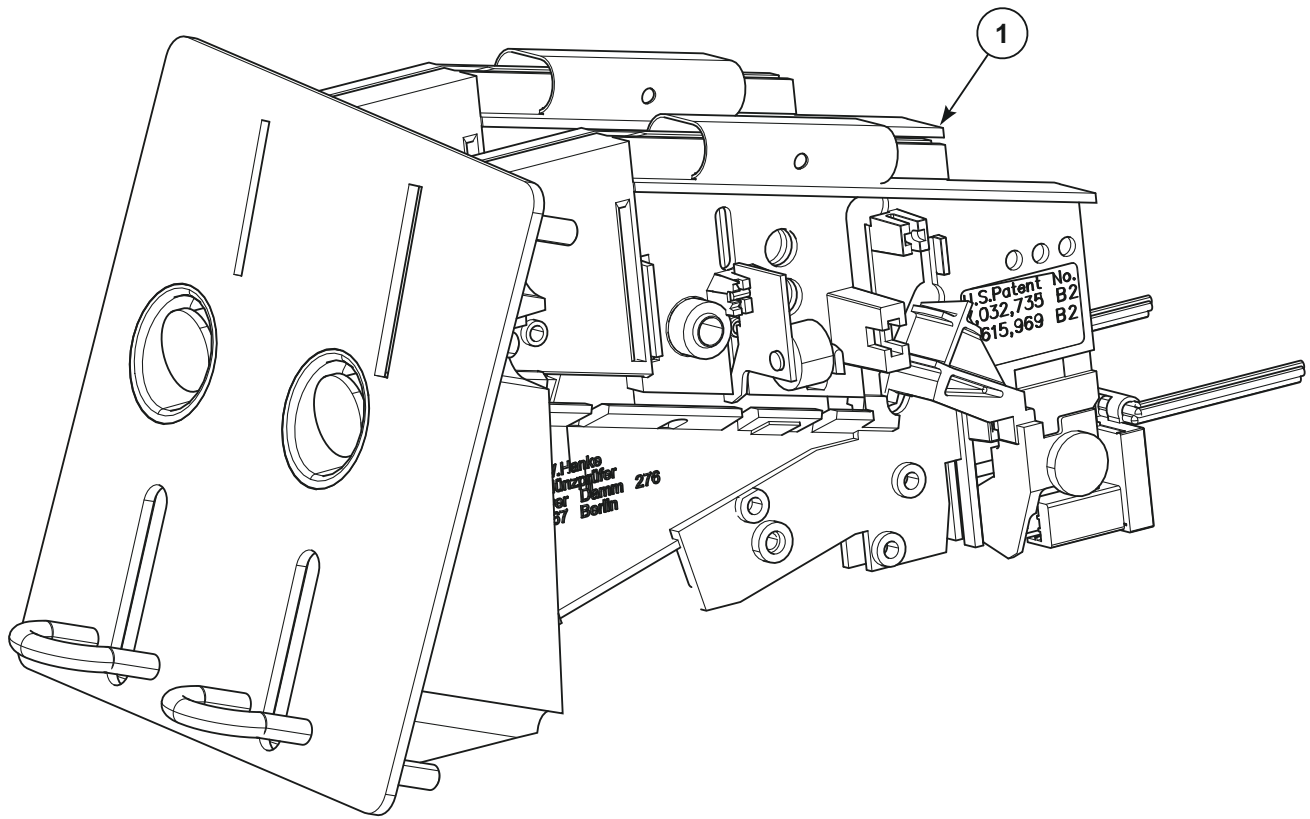
CZT185P_D2410

Coin Meter (Drawing 1 of 3)

REF	PART NO.	DESCRIPTION	COMMENTS
1	SP547601	Coin Meter	5K Primus jeton
	SP547602	Coin Meter	7K Primus jeton
	SP547603	Coin Meter	10K Primus jeton
	SP547604	Coin Meter	12K Primus jeton
	SP547605	Coin Meter	15K Primus jeton
	SP547606	Coin Meter	D jeton
	SP547648	Coin Meter	0.05EUR
	SP547638	Coin Meter	0.2EUR
	SP547616	Coin Meter	0.5EUR
	SP547614	Coin Meter	1EUR
	SP547647	Coin Meter	2EUR
	SP547622	Coin Meter	0.2EUR + 0.5EUR
	SP547639	Coin Meter	0.2EUR + 1EUR
	SP547617	Coin Meter	0.5EUR + 1EUR
	SP547656	Coin Meter	0.5EUR + 2EUR
	SP547631	Coin Meter	1EUR + 2EUR
	SP547652	Coin Meter	7K + D jeton
	SP547666	Coin Meter	7K jeton and 2EUR
	SP547665	Coin Meter	D jeton and 2EUR
	SP547600	Coin Meter	1AUD + 20C
	SP547607	Coin Meter	1POND + 20PC
	SP547608	Coin Meter	1POND + 50PC
	SP547609	Coin Meter	100YEN
	SP547610	Coin Meter	500JPY + 100JPY
	SP547611	Coin Meter	5DKK
	SP547612	Coin Meter	20DKK
	SP547613	Coin Meter	5ILS + 1ILS
	SP547615	Coin Meter	1MYR
	SP547618	Coin Meter	1DKK + 5DKK
	SP547619	Coin Meter	10NOK + 20NOK
	SP547620	Coin Meter	2DKK + 5DKK
	SP547621	Coin Meter	5NOK
	SP547623	Coin Meter	1NZD + 2NZD
	SP547624	Coin Meter	10 NOK
	SP547625	Coin Meter	10NT + 50NT
	SP547626	Coin Meter	2DKK
	SP547627	Coin Meter	Lucky Winner jeton
	SP547628	Coin Meter	10TWD
	SP547629	Coin Meter	10CZK + 20CZK
	SP547630	Coin Meter	7K Equipos Par Lavar jeton
	569921	Coin Meter	0.2GBP, 0.5GBP, 1GBP, 2GBP, 0.1EUR, 0.2EUR, 0.5EUR, 1EUR, 2EUR; Electronic EMPv7
	SP547634	Coin Meter	500WON
	SP547635	Coin Meter	0.25USD
	SP547636	Coin Meter	1AUD + 2AUD
	SP547637	Coin Meter	5DK + 10DK
	SP547640	Coin Meter	Sun Wash jeton

Coin Meter (Drawing 2 of 3)

FX and PY Models with H or K in 13th Position



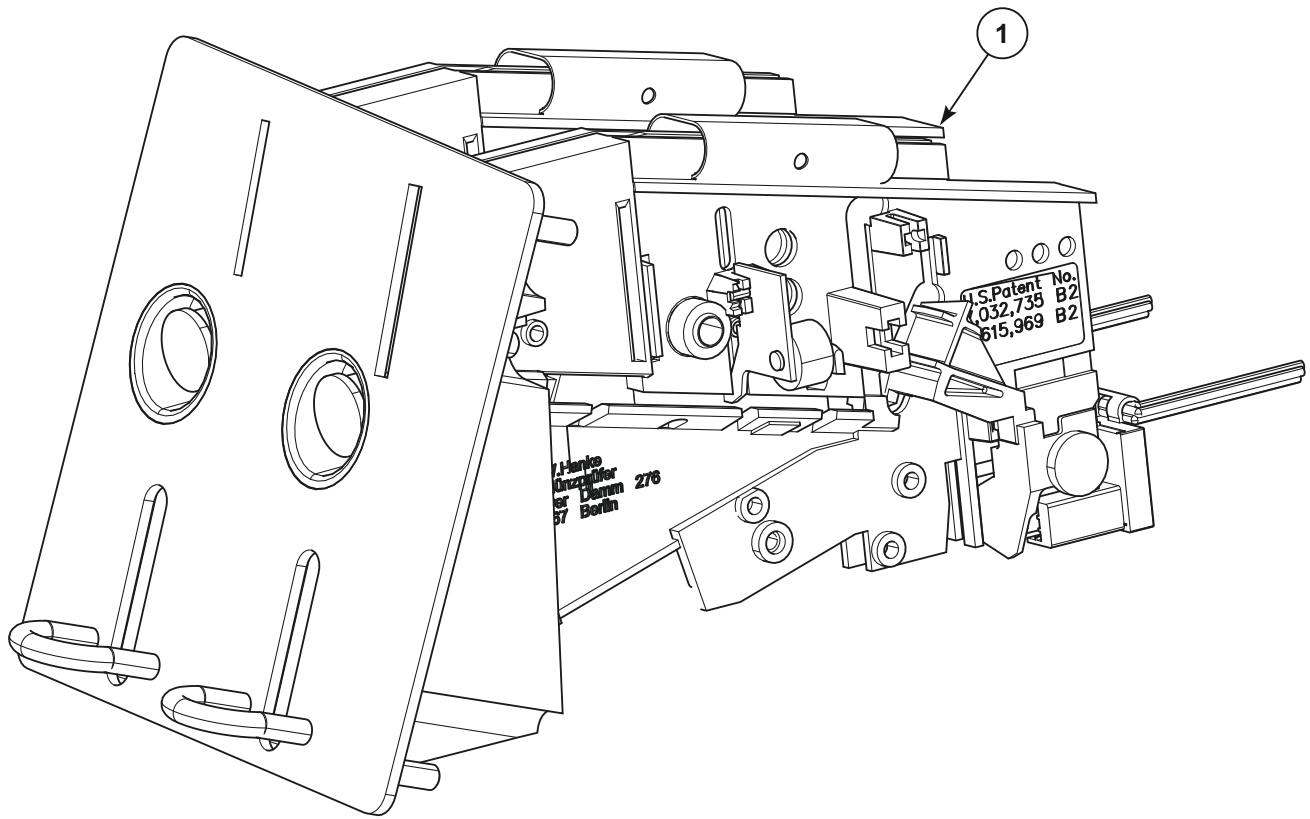
CZT185P_D2410

Coin Meter (Drawing 2 of 3)

REF	PART NO.	DESCRIPTION	COMMENTS
1	SP547641	Coin Meter	2DK + 10DK
	SP547642	Coin Meter	1AUD
	SP547643	Coin Meter	1CHF
	SP547644	Coin Meter	5NOK + 10NOK
	SP547645	Coin Meter	1 TopMos jeton + 1LEV jeton
	SP547646	Coin Meter	1 Vendo jeton
	SP547649	Coin Meter	1 jeton
	569951	Coin Meter	0.5MAD, 1MAD, 2MAD, 5MAD, 10MAD; Electronic EMPv7
	SP547651	Coin Meter	20 penny
	SP547653	Coin Meter	1 Wascator jeton, jeton diamater 22.2 mm
	SP547654	Coin Meter	1 Unibel jeton, jeton diamater 18.55 mm
	SP547657	Coin Meter	50HUF + 100HUF
	SP547658	Coin Meter	1 jeton without coining, jeton diamater 20 mm
	SP547659	Coin Meter	1 Volund jeton, jeton diamater 22.5 mm
	SP547660	Coin Meter	1 Wascator jeton, jeton diamater 19 mm
	SP547661	Coin Meter	1 Miele jeton
	SP547662	Coin Meter	1 jeton without coining, jeton diamater 26 mm
	SP547663	Coin Meter	Three-groove jeton; jeton diamater 27 mm
	SP547664	Coin Meter	Three-groove jeton; jeton diamater 24.9 mm
	SP537996	Coin Meter	Top-Mosr jeton
	SP547667	Coin Meter	Milano Italy jeton
	SP547668	Coin Meter	5PLN + 1PLN
	SP547669	Coin Meter	Two-grooves jeton; jeton diamater 27 mm
	SP547670	Coin Meter	A.S.A.R.D. jeton, jeton diamater 25.8 mm
	SP547671	Coin Meter	20CZK
	SP547672	Coin Meter	Jeton ASARD, jeton diamater 22.3 mm
	SP547673	Coin Meter	Jeton Laundromatic Belgium, jeton diamater 22.3 mm
	SP547674	Coin Meter	1SGD
	SP547675	Coin Meter	Jeton Asard Wascator, jeton diamater 19.9 mm
	SP555502	Coin Meter	Easy Games jeton
	SP555543	Coin Meter	Brev.C jeton
	SP555546	Coin Meter	50 Malaysian cent
	SP555549	Coin Meter	Flat Polis jeton
	SP555550	Coin Meter	Butzi Wash jeton
	SP555578	Coin Meter	1 New Singapore Dollar
	SP555558	Coin Meter	Copper without grooves jeton
	569939	Coin Meter	0.1SGD, 0.2SGD, 0.5SGD, 1SGD; Electronic EMPv7
	SP555666	Coin Meter	2x50 Malaysian cent
	569933	Coin Meter	0.1EUR, 0.2EUR, 0.5EUR, 1EUR, 2EUR; Electronic EMPv7
	SP555559	Coin Meter	Speedy Matic jeton
	SP555579	Coin Meter	Was-Salon Lavoir jeton
	569948	Coin Meter	5CZK, 10CZK, 20CZK, 50CZK; Electronic EMPv7
	SP560744	Coin Meter	Electronic for Dobi Ekspress jeton
	569964	Coin Meter	0.2GBP, 0.5GBP, 1GBP, 2GBP, 0.1EUR, 0.2EUR, 0.5EUR, 1EUR, 2EUR, jeton "KWL Aqua", jeton "Gettone"; Electronic EMPv7
	SP560089	Coin Meter	STD 118-1 jeton

Coin Meter (Drawing 3 of 3)

FX and PY Models with H or K in 13th Position



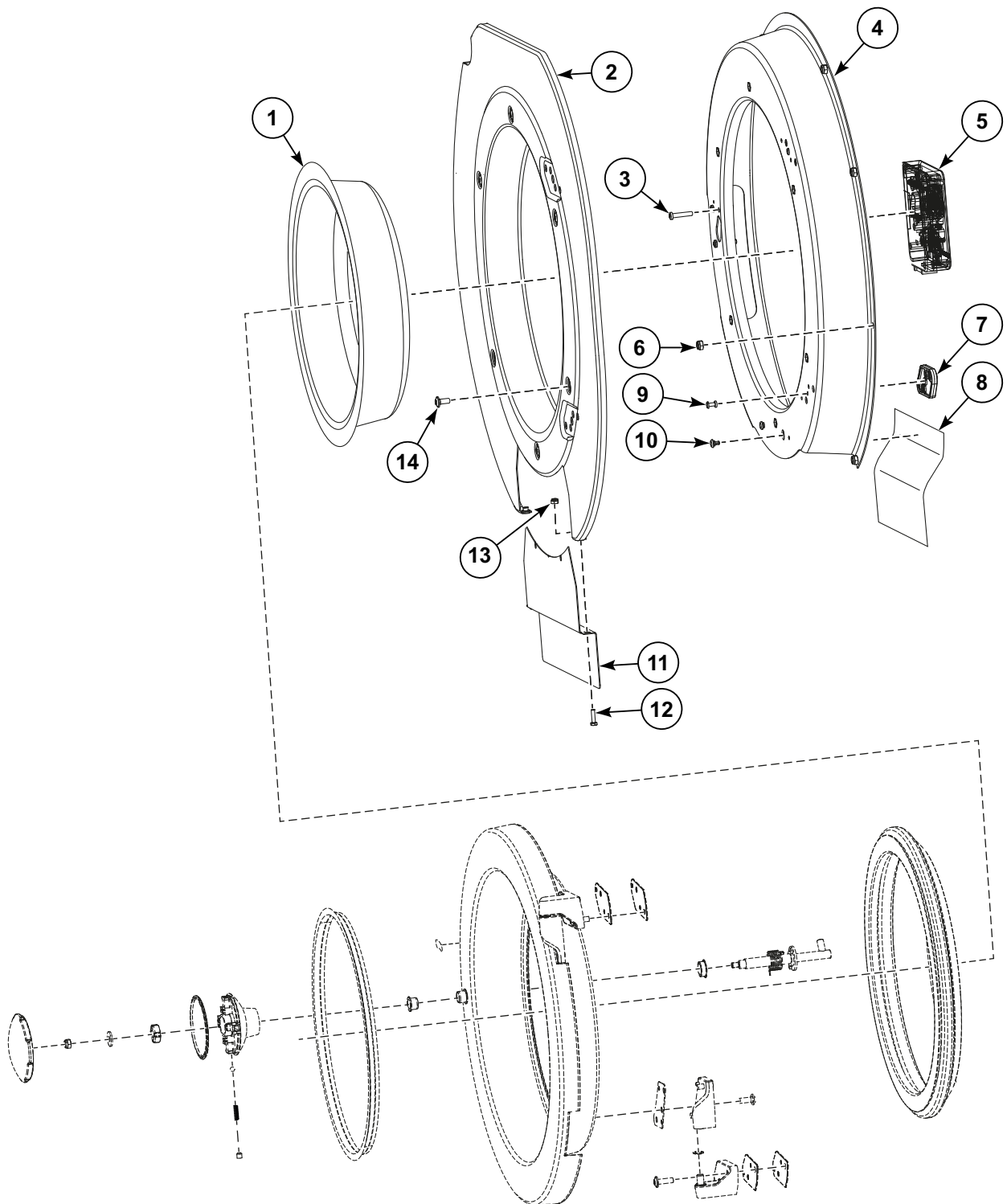
CZT185P_D2410

Coin Meter (Drawing 3 of 3)

REF	PART NO.	DESCRIPTION	COMMENTS
1	SP560082	Coin Meter	5k IPSO jeton
	SP560083	Coin Meter	7k IPSO jeton
	SP560084	Coin Meter	10k IPSO jeton
	SP560085	Coin Meter	12k IPSO jeton
	SP560086	Coin Meter	15k IPSO jeton
	561378	Coin Meter	10 Moroccan Dirham
	SP569918	Coin Meter	0.25USD, 1USD, 0.25CAD, 1CAD, 2CAD; Electronic EMPv7
	560073	Coin Meter	0.25 USD/1 USD
	569930	Coin Meter	1CNY, 0.1MYR, 0.2MYR, 0.5MYR; Electronic EMPv7
	569927	Coin Meter	0.2AUD, 1AUD, 2AUD, 0.2NZD, 1NZD, 2NZD, 5HKD, 10HKD, 500KRW; Electronic EMPv7
	SP561496	Coin Meter	Jeton Grupo Azkoyen CDS Automaten
	569936	Coin Meter	1PHP, 5PHP, 10PHP; Electronic EMPv7
	569942	Coin Meter	0.1MYR, 0.2MYR, 0.5MYR, 0.5SGD, 1SGD; Electronic EMPv7
	569945	Coin Meter	1HRK, 2HRK, 5HRK; Electronic EMPv7
	569924	Coin Meter	1DKK, 2DKK, 5DKK, 10DKK, 20DKK, 1NOK, 5NOK, 10NOK, 20NOK, 0.2EUR, 0.5EUR, 1EUR, 2EUR; Electronic EMPv7
	SP564484	Coin Meter	Jeton 118-5
	SP564486	Coin Meter	Jeton Barisart (LDL)
	569961	Coin Meter	0.1EUR, 0.2EUR, 0.5EUR, 1EUR, 2EUR, jeton IPSO 5K; Electronic EMPv7
	SP564489	Coin Meter	Jeton Sporong
	569970	Coin Meter	0.5MYR, jeton "DOBI PAPA"; Electronic EMPv7
	553150	Coin Meter	Jeton with hole
	553151	Coin Meter	Jeton Deton Wash
	569901	Coin Meter	Brass jeton
	569912	Coin Meter	Jeton Wassalon lavoir
	569954	Coin Meter	1PLN, 2PLN, 5PLN, 0.1EUR, 0.2EUR, 0.5EUR, 1EUR, 2EUR, 10ISK, 50ISK, 100ISK; Electronic EMPv7
	569967	Coin Meter	0.1EUR, 0.2EUR, 0.5EUR, 1EUR, 2EUR, jeton G-FIS "LAVOIR BIANCA"; Electronic EMPv7
	569973	Coin Meter	1AUD, 2AUD, jeton "No Cash Value"; Electronic EMPv7
	569979	Coin Meter	0.5MYR, jeton "BUBBLELAB"; Electronic EMPv7
	569987	Coin Meter	Jeton HAUCK 2018
	572358	Coin Meter	1THB, 2THB, 5THB, 10THB; 1TK, 2TK Jeton; Electronic EMPv7
	569998	Coin Meter	100+500 ISK
	572301	Coin Meter	Token 118-16
	572339	Coin Meter	Getton Jeton (26 x 1.7mm)
	572342	Coin Meter	Token WH121
	572304	Coin Meter	1ILS, 2ILS, 5ILS, 10ILS; 1TK, 2TK Jeton; Electronic EMPv7
	572307	Coin Meter	1ZAR, 2ZAR, 5ZAR; 1TK, 2TK Jeton; Electronic EMPv7
	572310	Coin Meter	5RUB, 10RUB; 1TK, 2TK Jeton; Electronic EMPv7
	572313	Coin Meter	550CLP, 100CLP, 500CLP; 1TK, 2TK Jeton; Electronic EMPv7
	572317	Coin Meter	100JPY, 500JPY; 10TWD, 50TWD; 1TK, 2TK Jeton; Electronic EMPv7
	572320	Coin Meter	0.5GEL, 1GEL, 2GEL; 1TK, 2TK Jeton; Electronic EMPv7
572323	Coin Meter	0.2 EUR, 0.5EUR, 1EUR, 2EUR, Jeton 7K; Electronic EMPv7	
572326	Coin Meter	20HUF, 50HUF, 100HUF, 200HUF; 1TK, 2TK Jeton; Electronic EMPv7	
572383	Coin Meter	0.2CHF, 0.5CHF, 1CHF, 2CHF; 1TK, 2TK Jeton; Electronic EMPv7	
572391	Coin Meter	0.25CAD	
572358	Coin Meter	0.25CAD	

Door (Drawing 1 of 2)

All Models Except Models with V in the 7th Position



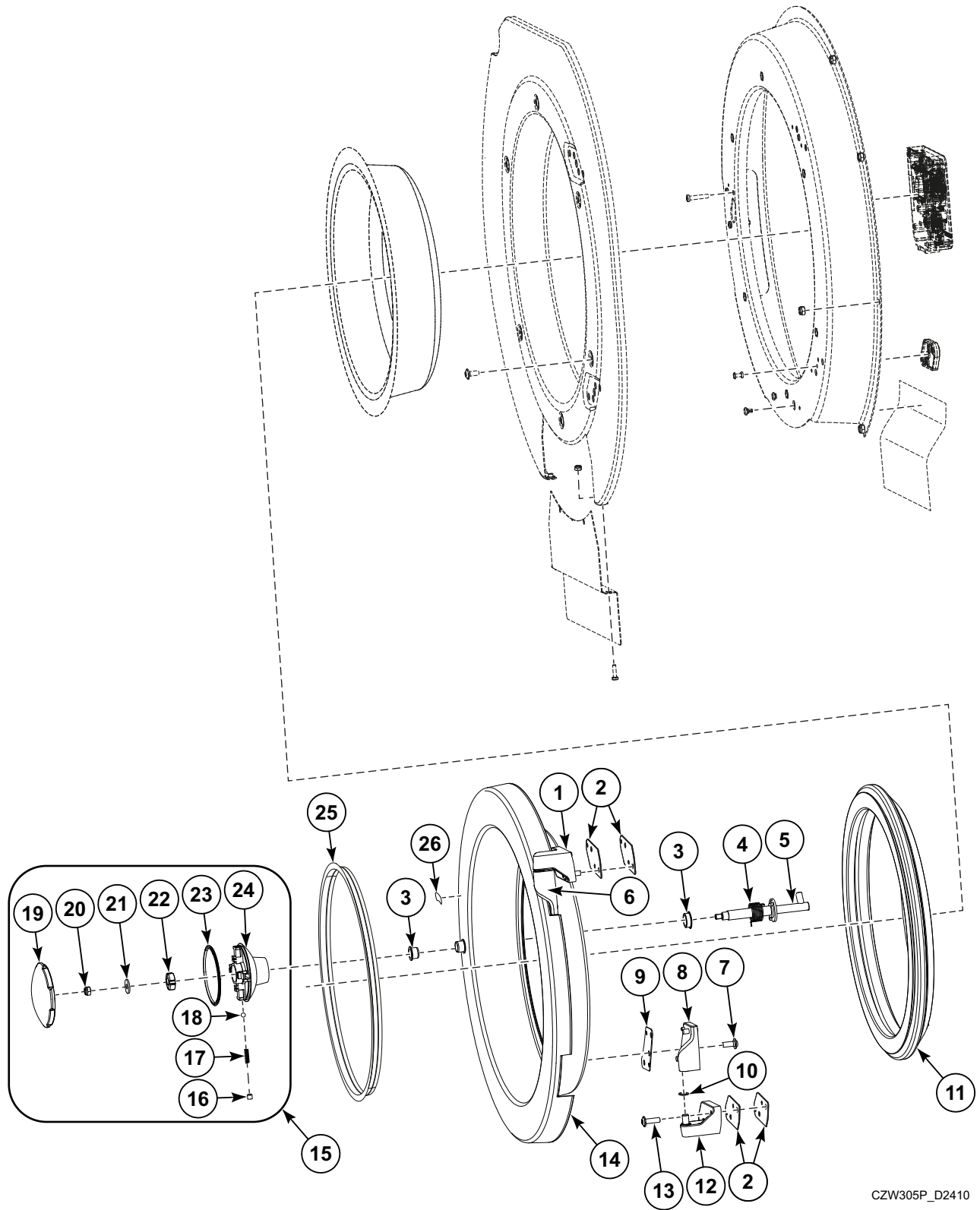
CZW304P_D2410

Door (Drawing 1 of 2)

REF	PART NO.	DESCRIPTION	COMMENTS
	SP245704003021	Adhesive	Loctite 243
	SP552454	Door Lock Wiring	MC7; CSA
	SP552453	Door Lock Wiring	MC7; CE
	SP528270	Door Lock Wiring	MC6 control board; CE
	SP537896	Adhesive	Reversible
	SP245704000603	Adhesive	Loctite 603; Used with SP537854 Bolt
	568991	Service Door Kit	Includes 569353 Door Seal, 568804 Shim, 560069 Shim, PRI722000004 Plastic Protection, PRI722000001 Plastic Protection and SP345000160971 Binding Strip
1	SP556227	Door Glass	IY models; With logo
	SP562702	Door Glass	J models
	SP535417	Door Glass	All other models; Without logo
2	SP556231	Front Panel	H, HY, IY, J, SY and UY models; Photomaton
	SP556128	Front Panel	AF, AF Non-Brand, FX, HX, LP, LY, MWF, NY, PY, QW and SW models
	571722	Front Panel	AF, IY, NY models with "G", "H", "J, or "K" in 13th position; Black
	571725	Front Panel	AF, IY, NY models with "G", "H", "J, or "K" in 13th position of Model Number; Stainless
	572484	Front Panel	Model SY135_KIS_PHOTO-ME; Stainless steel; 316L
3	SP556137	Bolt	M5x25
4	SP537853	Door and Lock Holder	
5	SP537760	Lock	Used with 560069 Shim, not included
6	SP310985000006	Nut	M6
7	SP537849	Hinge Spacer	
8	SP552972	Cover	
9	SP547779	Rivet	4x16.7
10	SP537856	Connector	
11	SP556236	Heating Element Front Cover	H, HY, IY, J, SY and UY models; Stainless
	SP537866	Heating Element Front Cover	AF, IY, NY models with "G", "H", "J, or "K" in 13th position; Black
	SP563274	Heating Element Front Cover	AF, IY, NY models with "G", "H", "J, or "K" in 13th position; Black
	568986	Heating Element Front Cover	AF, IY, NY models with "G", "H", "J, or "K" in 13th position; Stainless
	572485	Heating Element Front Cover	Model SY135_KIS_PHOTO-ME; 316L
12	SP309084000416	Bolt	M4x16
13	SP313251002104	Nut	M4
14	SP537854	Bolt	M6x14

Door (Drawing 2 of 2)

All Models Except Models with V in the 7th Position



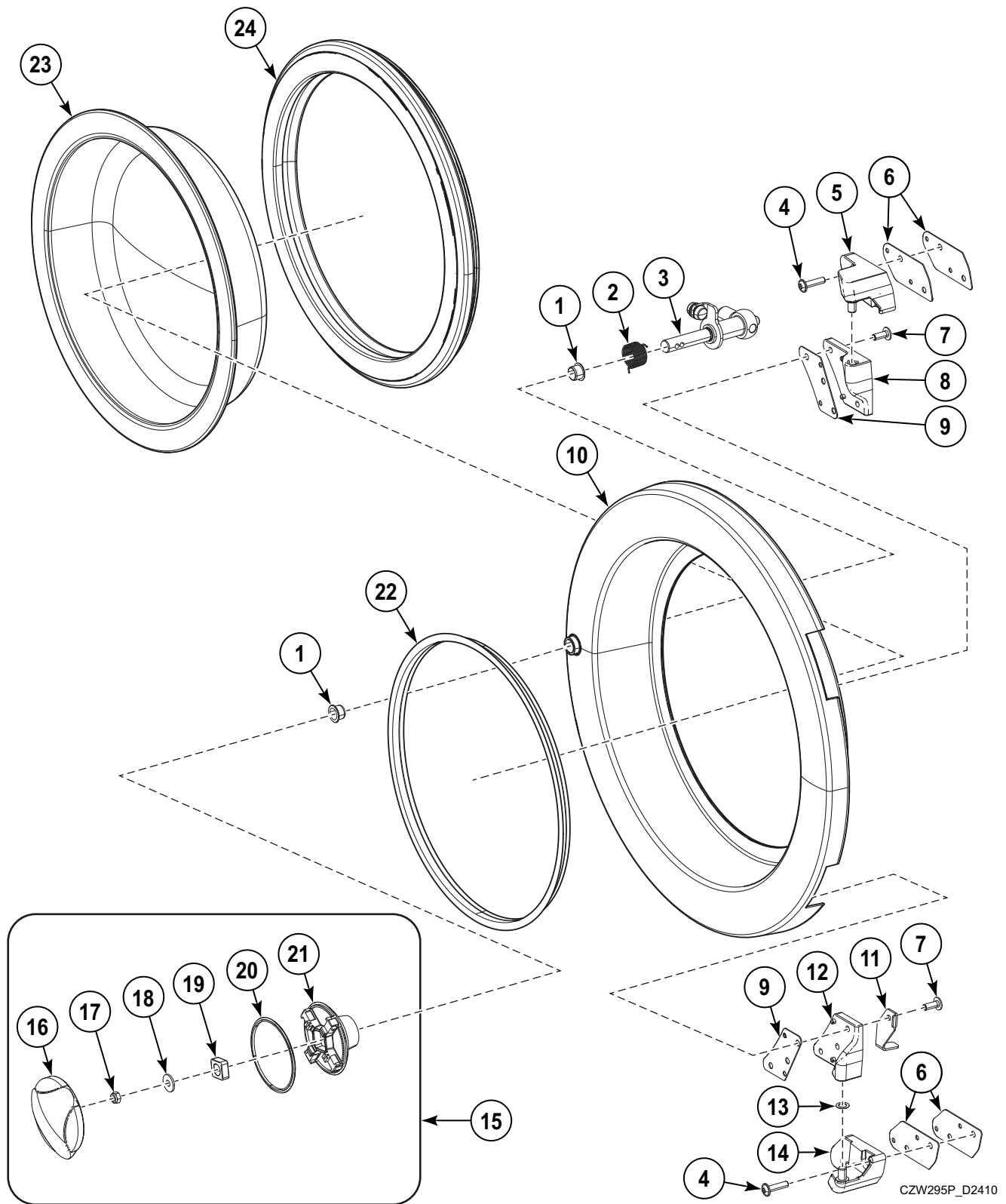
CZW305P_D2410

Door (Drawing 2 of 2)

REF	PART NO.	DESCRIPTION	COMMENTS
	F8301201	Double Check Valve	J models; Used with SPPRI426001217 Pipe Nipple
	570554	Kit of Hinges	HY, SY and UY models; includes 568981, 568984 , 556275, 556276, 571642
	570553	Kit of Hinges	All other models; includes 568979, 568982, 571650, 571651, 571642
1	568981	Fixed Upper Hinge	HY, SY and UY models
	568979	Fixed Upper Hinge	All other models
2	N/A	Washer	
3	SP529739	Casing	
4	SP535402	Handle Torsion Spring	
5	SP537933	Lock Pin	
6	SP556275	Upper Hinge	HY, SY and UY models
	571650	Upper Hinge	All other models
7	SP537864	Bolt	M6x16
8	SP556276	Lower Hinge	HY, SY and UY models
	571651	Lower Hinge	All other models
9	SP535421	Hinge Spacer	
10	571642	Washer	
11	568991	Service Door Kit	
	563297	Door Seal	Model SY135_KIS_PHOTO-ME
12	568984	Fixed Lower Hinge	HY, SY and UY models
	568982	Fixed Lower Hinge	All other models
13	SP535479	Bolt	M6x25
14	SP535426	Door	HY, SY and UY and SY135_KIS_PHOTO-ME models; FX, HX, MWF, PY, QW and SW models through Serial No. 135FX011505MB; Chrome
	SP553526	Door	FX, HX, MWF, PY, QW and SW models starting Serial No. 135FX011506MB; Gray
	SP535428	Door	AF, AF Non-Brand, H, IY, J, LP, LY and NY models; Black
	568837	Door	AF, IY, NY models with "G", "H", "J, or "K" in 13th position; Black
15	SP556297	Handle	HY, SY and UY models
	SP552909	Handle	AF, AF Non-Brand, H, IY, LP, LY and NY models
	SP552908	Handle	FX, HX, MWF, PY, QW and SW models
	562898	Handle	J models
	571788	Handle	IY models with "G", "H", "J" or "K" in 13th Position
	569335	Handle	Model SY135_KIS_PHOTO-ME
16	SP553524	Bolt	M6x6
17	SP535406	Compression Spring	
18	SP535407	Handle Ball	
19	SP556278	Holder Cover	HY, SY and UY models
	SP535438	Holder Cover	AF, AF Non-Brand, H, IY, J, LP, LY and NY models
	SP535430	Holder Cover	FX, HX, MWF, PY, QW and SW models
	569331	Holder Cover	Model SY135_KIS_PHOTO-ME
20	SP310985000006	Nut	M6
21	SP311902100006	Washer	M6
22	SP529710	Locating Segment	
23	SP535411	Distinguishing Ring	FX, HX, HY, MWF, PY, QW, SW, SY and UY models; Blue
	SP535437	Distinguishing Ring	AF, AF Non-Brand, H, IY, J, LP, LY, NY and SY135_KIS_PHOTO-ME models; Red
	571733	Distinguishing Ring	AF, IY and NY models with "G", "H", "J" or "K" in 13th Position; Red
24	SP535429	Handle Lower Part	
25	SP562546	Rim	IY models with "G", "H", "J" or "K" in 13th Position
26	SP564831	Label	Door Lock; CSA; Vended

Door - AF, IY, NY and J Models

AF, IY, NY and J with V in 7th Position



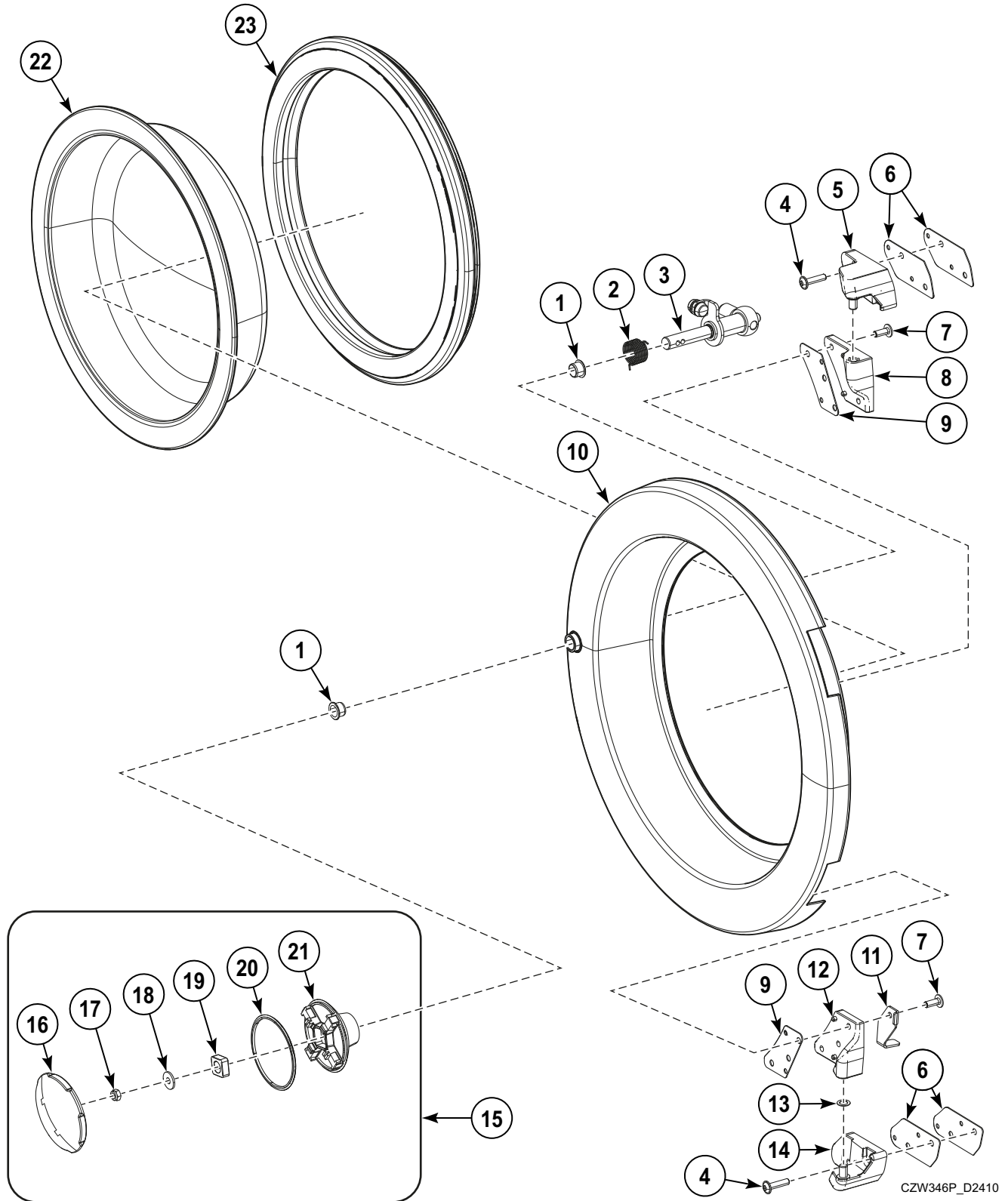
CZW295P_D2410

Door - AF, IY, NY and J Models

REF	PART NO.	DESCRIPTION	COMMENTS
	571767	Door Assembly	Black; Includes items 1-24
1	SP529739	Casing	
2	SP535402	Handle Torsion Spring	
3	571762	Door Level	
4	SP535479	Bolt	M6x25
5	568979	Fixed Upper Hinge	
6	N/A	Shim	
7	SP537864	Bolt	M6x16
8	571650	Upper Hinge	
9	SP535421	Hinge Spacer	
10	568837	Door	Black
11	571633	Door Frame Sheet	
12	571651	Lower Hinge	
13	571642	Washer	
14	568982	Fixed Hinge	Lower
15	571781	Handle	
16	SP535438	Holder Cover	
17	SP310985000006	Nut	M6
18	SP311902100006	Washer	M6
19	571773	Locating Segment	
20	571733	Distinguishing Ring	
21	571779	Handle Lower Part	
22	SP562546	Rim	IY models
	573188	Rim	J models
23	556227	Door Glass	IY models
	573191	Door Glass	J models
	535417	Door Glass	AF and NY models
24	568991	Service Door Kit	

N/A = Part no longer available

Door - FX and PY Models with V in 7th Position



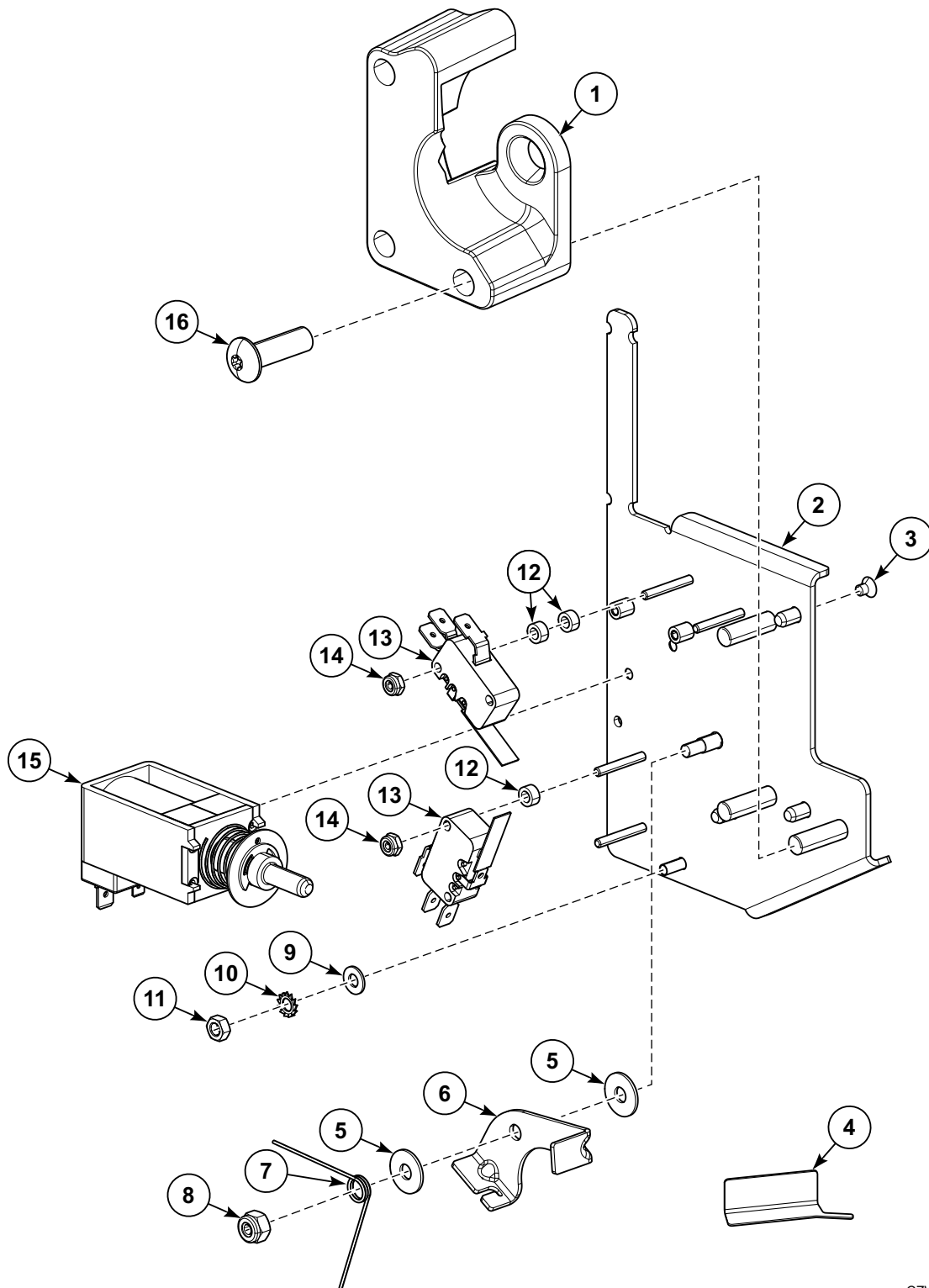
Door - FX and PY Models with V in 7th Position

REF	PART NO.	DESCRIPTION	COMMENTS
	571764	Door Assembly	Gray; Includes items 1-23
1	SP529739	Casing	
2	SP535402	Handle Torsion Spring	
3	571762	Door Level	
4	SP535479	Bolt	M6x25
5	568979	Fixed Upper Hinge	
6	N/A	Shim	
7	SP537864	Bolt	M6x16
8	571650	Upper Hinge	
9	SP535421	Hinge Spacer	
10	SP553526	Door	Gray
11	571633	Door Frame Sheet	
12	571651	Lower Hinge	
13	571642	Washer	
14	568982	Fixed Hinge	Lower
15	571780	Handle	
16	SP535430	Holder Cover	
17	SP310985000006	Nut	M6
18	SP311902100006	Washer	M6
19	571773	Locating Segment	
20	SP535411	Distinguishing Ring	
21	571779	Handle Lower Part	
22	SP535417	Door Glass	
23	568991	Service Door Kit	

N/A = Part no longer available

Door Lock (Drawing 1 of 2)

Models with V in 7th Position; Models Through 28 February 2021



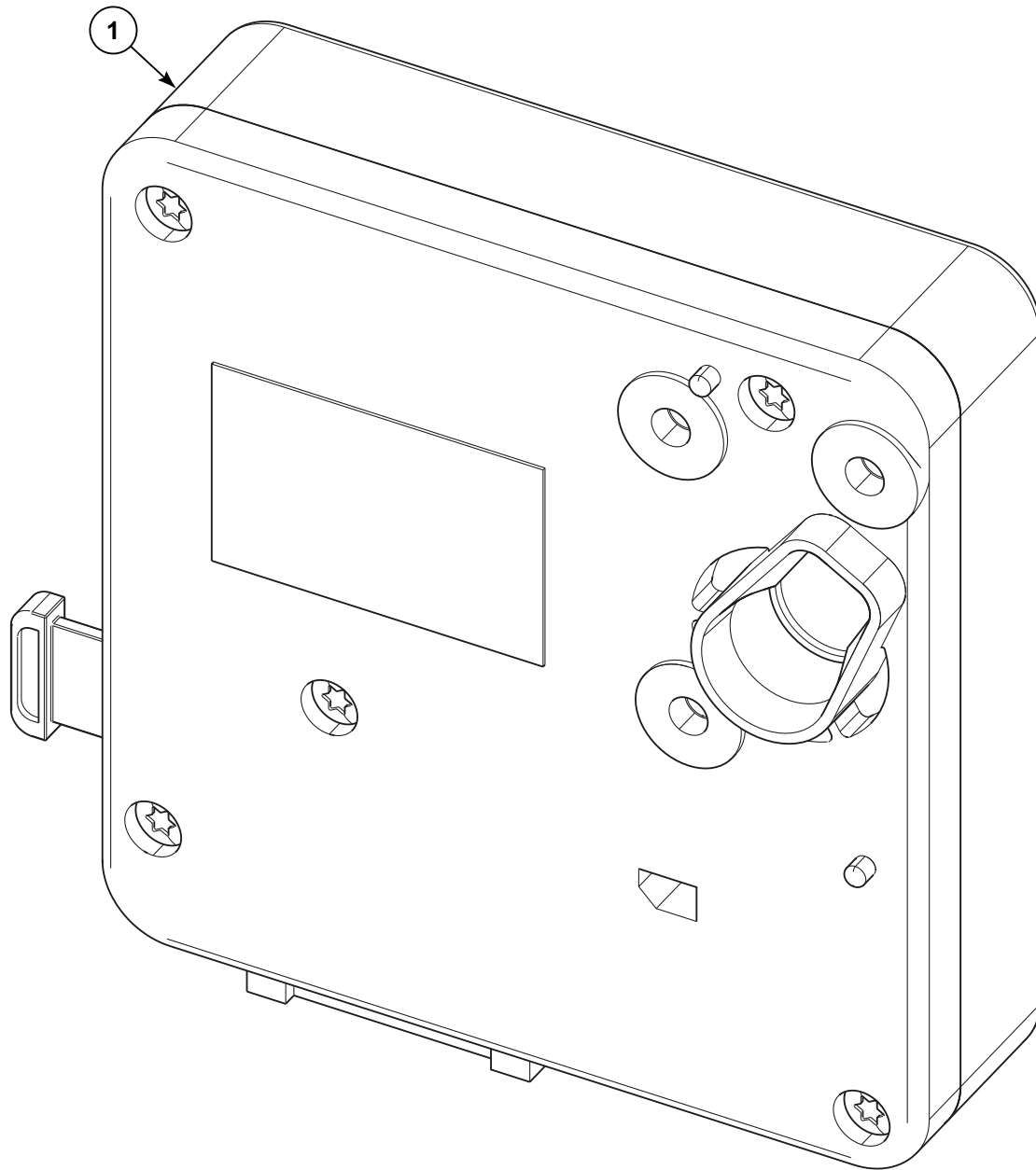
CZW347P_D2410

Door Lock (Drawing 1 of 2)

REF	PART NO.	DESCRIPTION	COMMENTS
	576085	Door Lock Assembly	Includes item 1-16, 569751 Door Lock Cable, SP345000160996 Binding Strip, 571466 Door Lock Switch Cable
1	576084	Door Lock Casting	
2	568971	Door Lock Plate	
3	F430977	Screw	
4	571615	Emergency Opener	For door lock
5	F8193101	Washer	
6	568941	Closing Plate	
7	571612	Torsion/Door Lock Spring	
8	F430232	Nut	
9	SP311125240004	Washer	4
10	SP311679824004	Washer	4
11	SP310934240004	Nut	M4
12	F431901	Spacer	
13	568978	Microswitch	
14	F430225	Nut	
15	568942	Coil	
16	F8270701	Bolt	Stainless
	568968	Bolt	Black

Door Lock (Drawing 2 of 2)

Models with V in 7th Position; Models Starting 01 March 2021



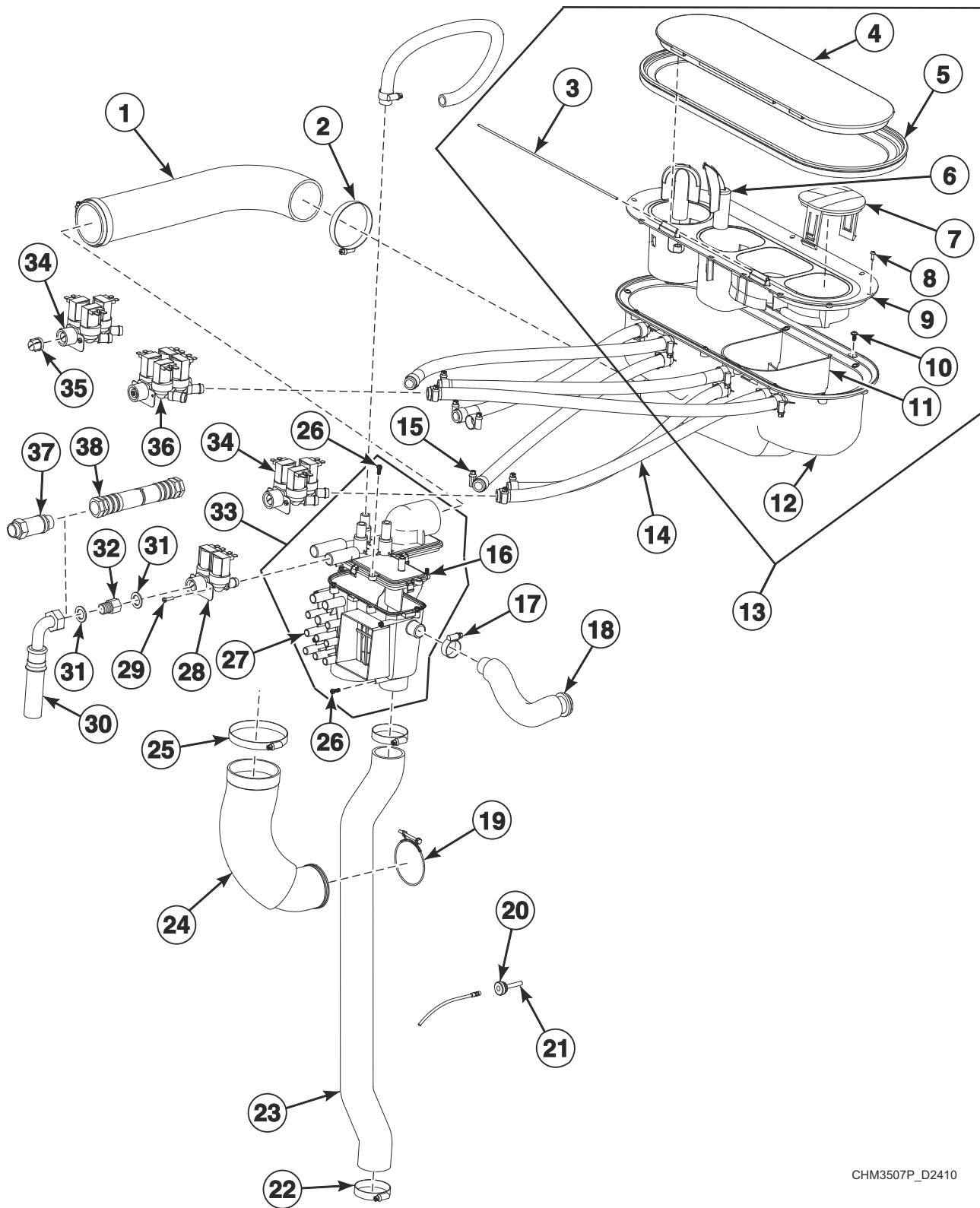
CZW360P_D2410

Door Lock (Drawing 2 of 2)

REF	PART NO.	DESCRIPTION	COMMENTS
1	SP537760	Door Lock Assembly	

Water Inlet System

All Models Except Models with V in 7th Position



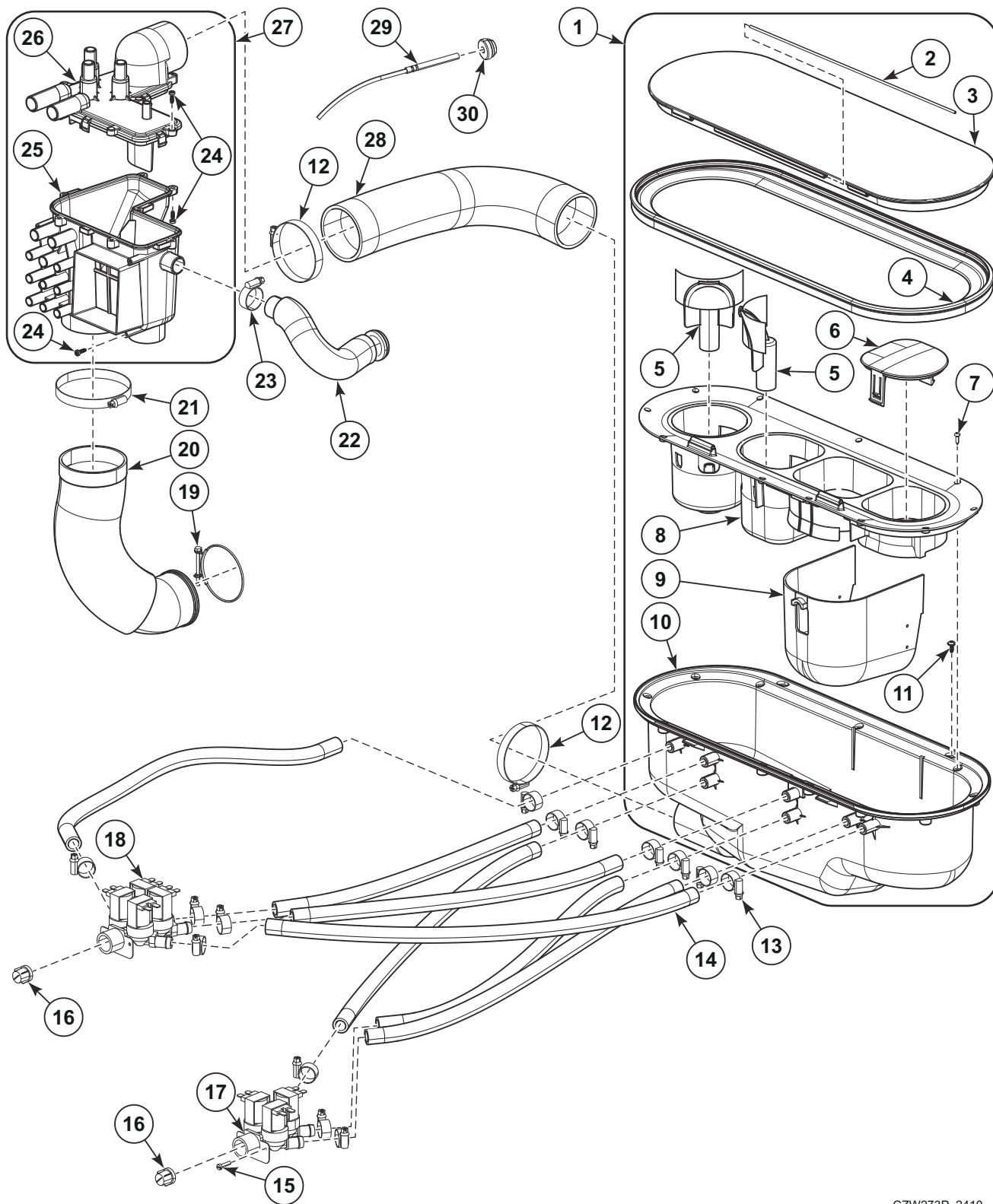
CHM3507P_D2410

Water Inlet System

REF	PART NO.	DESCRIPTION	COMMENTS
	F8301201	Double Check Valve	J models
1	SP526488	Dispenser Pipe	
2	SPPRI240000021	Hose Clamp	60-80
3	SP540117	Pin	
4	SP551695	Dispenser Lid	HY, SY, and UY models
	SP526461	Dispenser Lid	All other models
5	SP540158	Dispenser Seal	
6	SP540113	Flap	
7	SP526468	Soap Hopper Plug	
8	SP309798124313	Screw	ST3.5x13
9	SP540112	Soap Hopper Upper Cover	
10	SP529206	Screw	4x11
11	SP540122	Internal Vessel	
12	SP540115	Main Vessel	Requires SPPRI704000053 Silicon Sealant
13	SP554213	Soap Hopper	HY, SY, and UY models
	SP540111	Soap Hopper	All other models
14	SPPRI540000014	Hose	13/19
	SP101745	Hose Pipe	Valid for water approval
15	SPPRI240000002	Hose Clamp	12-22
16	SP526557	Mixer Lid	
17	SPPRI240000003	Hose Clamp	20-32
18	SP526482	Vent Hose	
19	SP526491	Hose Clamp	62-70
20	SP526439	Temperature Sensor Seal	
21	503839	Temperature Sensor	
22	SPPRI240000017	Hose Clamp	40-60
23	SP526480	Overflow Tube	
24	SP526506	Filling Elbow Pipe	
25	SPPRI240000007	Hose Clamp	70-90
26	SP526497	Screw	4x12
27	SP526565	Mixer Body	
28	SP547958	2-Way Valve	3/4 inch
29	SP309084000416	Bolt	4x16
30	SPPRI505000054	Filling Hose Pipe	Used with cold water
	SP547980	Filling Hose Pipe	Used with hot water
	SP101621	Filling Hose Pipe	Valid for water approval
	RSPF200166	Filling Hose Pipe	IY, LY, NY, PY, SY, and UY models
	F200164	Water Hose	CSA
31	SPPRI520001009	Seal	
32	567174	Reduction	3/4 inch; BSP/GHT; CSA
33	SP526558	Mixer	
34	SP547959	3-Way Valve	3/4 inch
35	SPPRI340004030	Filter	
36	SP548933	4-Way Valve	3/4 inch
37	RSPF200166	Filling Hose Pipe	IYY, LYY, NYY, PYY, SYY, and UYY models
38	B12543901	Check Valve	IYY, LYY, NYY, PYY, SYY, and UYY models

Two Water Inlet System

Modles with V in 7th Position



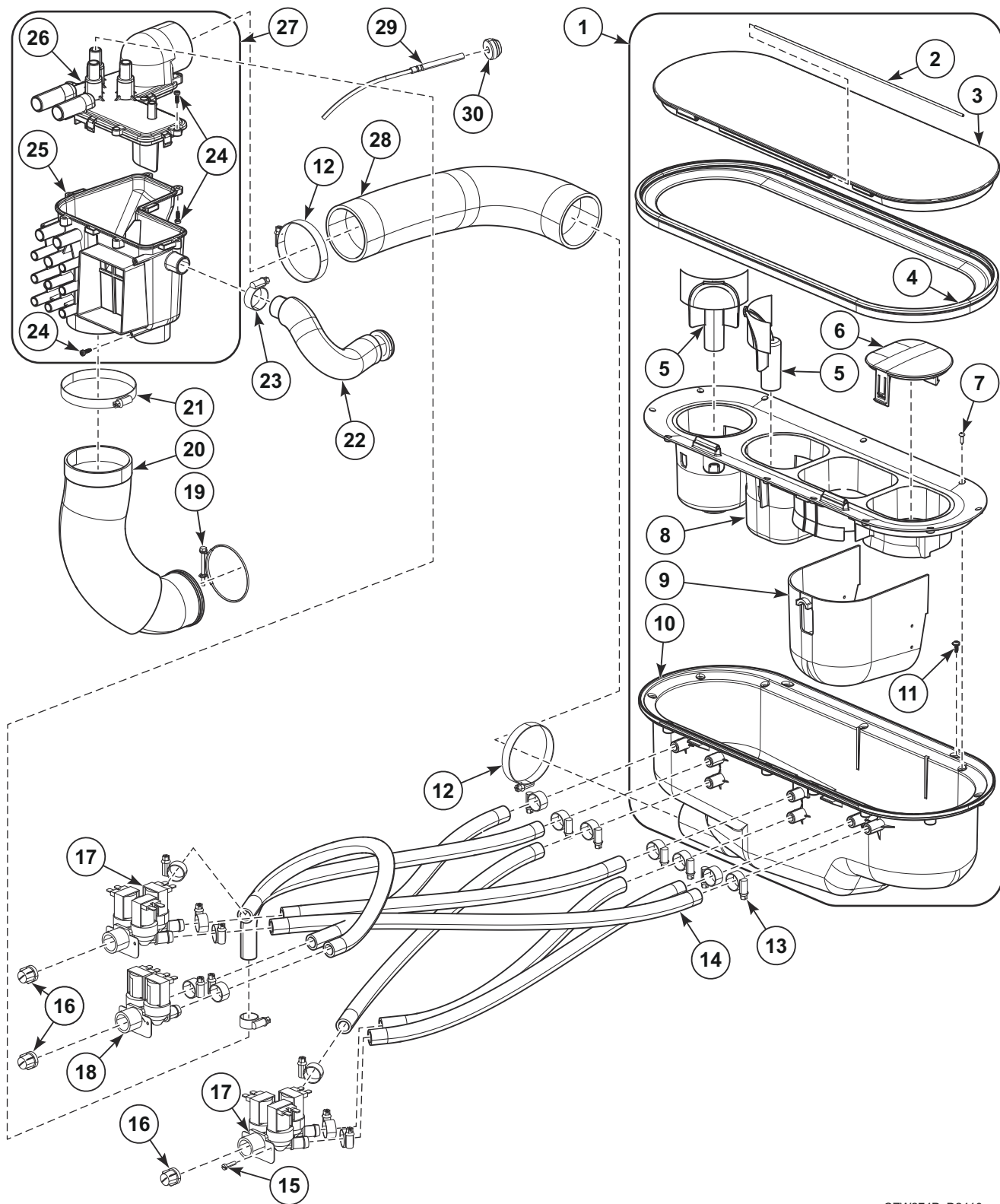
CZW273P_2410

Two Water Inlet System

REF	PART NO.	DESCRIPTION	COMMENTS
	SPPRI505000054	Filling Hose Pipe	Used with cold water and with SPPRI520001009 Seal
	SP547980	Filling Hose Pipe	Used with hot water and with SPPRI520001009 Seal
	SP101621	Filling Hose Pipe	Valid for water approval WRAS; Used with SPPRI520001009 Seal
	F200164	Water Hose	CSA models; Used with SPPRI520001009 Seal and 567174 Reduction
1	SP540111	Soap Hopper	
2	SP540117	Pin	
3	SP526461	Dispenser Lid	
	573922	Dispenser Lid	CSA models
4	SP540158	Dispenser Seal	
5	SP540113	Flap	
6	SP526468	Soap Hopper Plug	
7	SP309798124313	Screw	ST3.5x13
8	SP540112	Soap Hopper Upper Cover	
9	SP540122	Internal Vessel	
10	SP540115	Main Vessel	
11	SP529206	Screw	
12	SPPRI240000021	Hose Clamp	60-80
13	SPPRI240000002	Hose Clamp	12-22
14	SPPRI540000014	Hose	13-19
	SP101745	Hose Pipe	Used with Water Approval WRAS
15	SP309084000416	Bolt	M4x16
16	SPPRI340004030	Filter	
17	SP547959	3-Way Valve	3/4 inch
18	SP548933	4-Way Valve	3/4 inch
19	SP526491	Hose Clamp	62-70
20	SP526506	Filling Elbow Pipe	
21	SPPRI240000007	Hose Clamp	70-90
22	SP526482	Vent Hose	
23	SPPRI240000003	Hose Clamp	
24	SP526497	Screw	4x12
25	SP526565	Mixer Body	
26	SP526557	Mixer Lid	
27	SP526558	Mixer	
28	SP526488	Dispenser Pipe	
29	503839	Temperature Sensor	
30	SP526439	Temperature Sensor Seal	

Three Water Inlet System

Modles with V in 7th Position



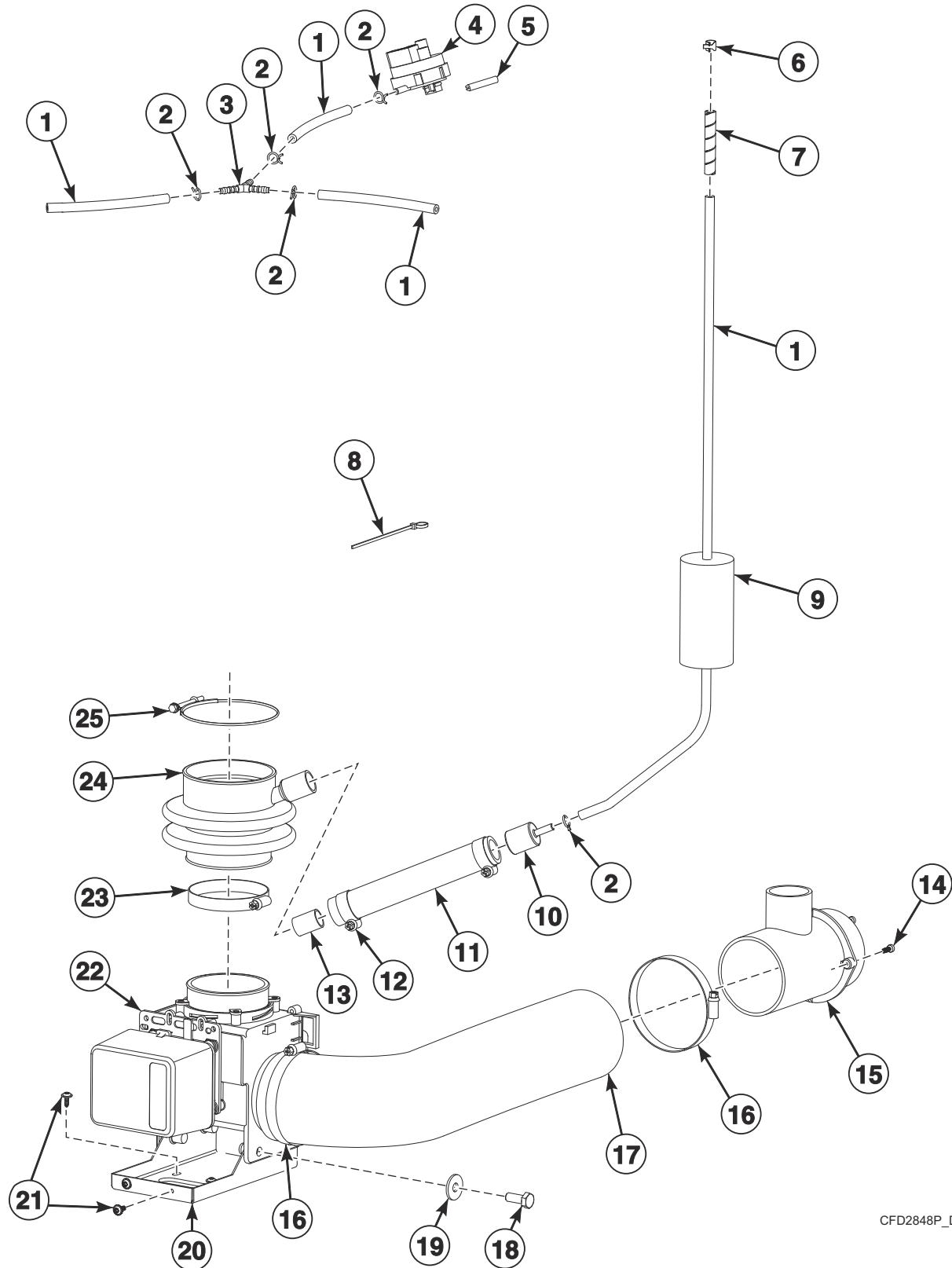
CZW274P_D2410

Three Water Inlet System

REF	PART NO.	DESCRIPTION	COMMENTS
	SPPRI505000054	Filling Hose Pipe	Used with cold water and with SPPRI520001009 Seal
	SP547980	Filling Hose Pipe	Used with hot water and with SPPRI520001009 Seal
	SP101621	Filling Hose Pipe	Valid for water approval WRAS; Used with SPPRI520001009 Seal
	F200164	Water Hose	CSA models; Used with SPPRI520001009 Seal and 567174 Reduction
1	SP540111	Soap Hopper	
2	SP540117	Pin	
3	SP526461	Dispenser Lid	
	573922	Dispenser Lid	CSA models
4	SP540158	Dispenser Seal	
5	SP540113	Flap	
6	SP526468	Soap Hopper Plug	
7	SP309798124313	Screw	ST3.5x13
8	SP540112	Soap Hopper Upper Cover	
9	SP540122	Internal Vessel	
10	SP540115	Main Vessel	
11	SP529206	Screw	
12	SPPRI240000021	Hose Clamp	60-80
13	SPPRI240000002	Hose Clamp	12-22
14	SPPRI540000014	Hose	13-19
	SP101745	Hose Pipe	Used with Water Approval WRAS
15	SP309084000416	Bolt	M4x16
16	SPPRI340004030	Filter	
17	SP547959	3-Way Valve	3/4 inch
18	SP547958	2-Way Valve	3/4 inch
19	SP526491	Hose Clamp	62-70
20	SP526506	Filling Elbow Pipe	
21	SPPRI240000007	Hose Clamp	70-90
22	SP526482	Vent Hose	
23	SPPRI240000003	Hose Clamp	
24	SP526497	Screw	4x12
25	SP526565	Mixer Body	
26	SP526557	Mixer Lid	
27	SP526558	Mixer	
28	SP526488	Dispenser Pipe	
29	503839	Temperature Sensor	
30	SP526439	Temperature Sensor Seal	

Drain System (Drawing 1 of 2)

All Models Except Models with V in 7th Position



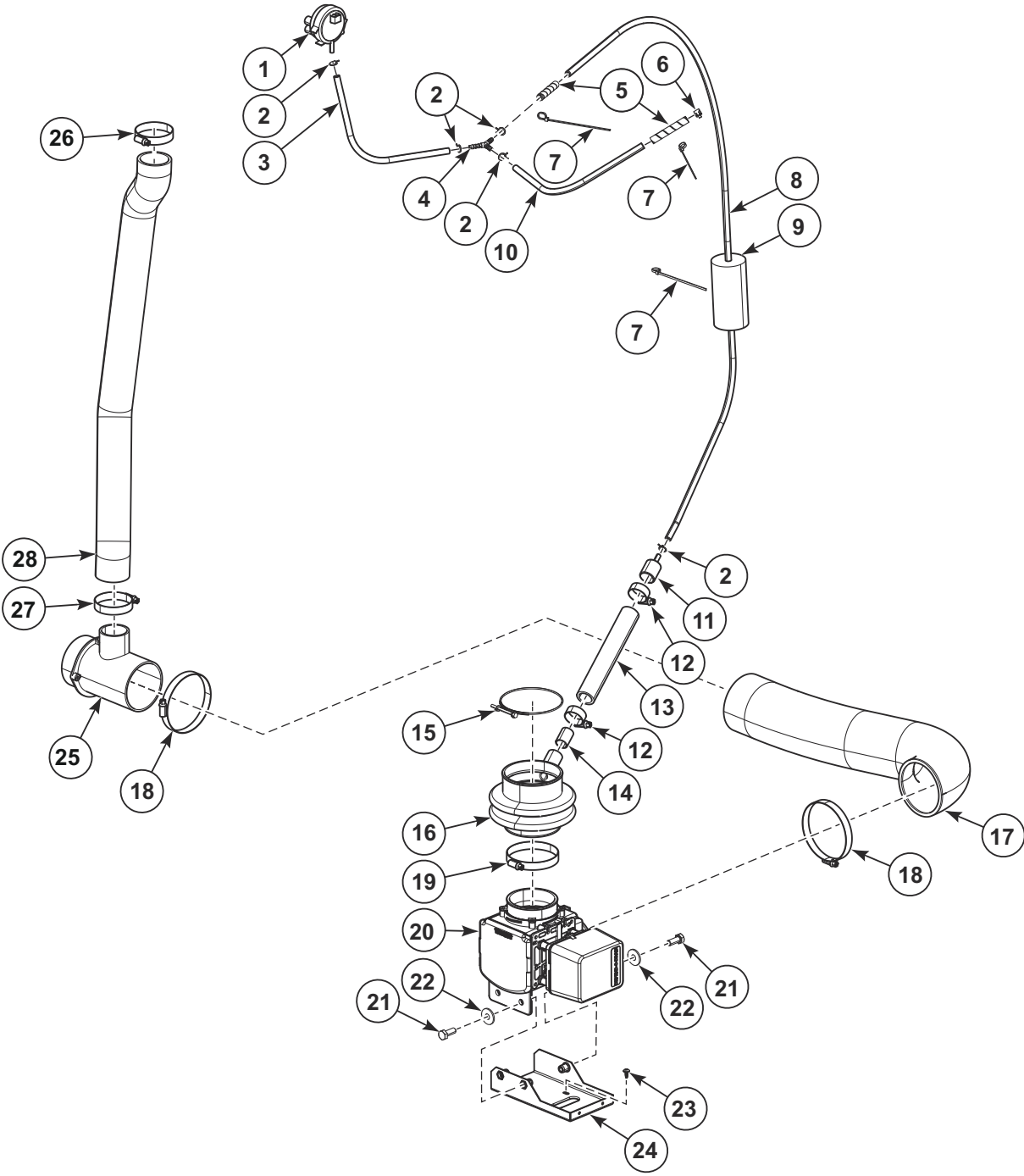
CFD2848P_D2410

Drain System (Drawing 1 of 2)

REF	PART NO.	DESCRIPTION	COMMENTS
	567128	Reduction	J, FX135_BUPA_X_CONTROL and FX135_BUPA_X_CONTROL_PLUS models; CE from 3 inches to 2 inches
	SPPRI505000087	Drain Hose Pipe	Model SY135_KIS_PHOTO-ME; I=230mm; Used with SPPRI240000007 Hose Claamp
1	SPPRI540001003	Water Level Switch Hose	
2	SPPRI241000017	Hose Clamp	A5.5
3	SPPRI503000028	Y-Piece	J models
4	SP562709	Waters Level Sensor	J models
5	SPPRI505000058	Profiled Sealing	J models
6	SP540183	Spring Clamp	
7	SP283449080200	Spiral	
8	SP345000626088	Binding Strip	
9	SP100188	Foam Roller	
10	SPPRI503000027	Air Trap Reduction	
11	SPPRI503002049	Hose	Air trap
12	SPPRI240000003	Hose Clamp	20-32
13	SP500125	Reinforcement Tube	
14	SP526497	Screw	4x12
15	SP526454	Tee	
16	SPPRI240000007	Hose Clamp	70-90
17	SP526498	Drain Elbow	
18	SP309933000820	Bolt	M8x20
19	SP311902100008	Washer	8
20	SP526512	Drain Valve Holder	
21	SP529206	Screw	4x11
22	SP526460	Drain Valve	Black; Includes 553195 Drain Valve Chamber, SPPRI340002051 Drain Valve Motor and 554276 Drain Valve Seal
	SP553195	Drain Valve Chamber	Black
	SPPRI340002051	Drain Valve Motor	Includes gear box
	SP547821	Reverse Function Drain Valve	CE and Watermark; Black; Includes 553195 Drain Valve Chamber, SPPRI340002051 Drain Valve Motor and 554276 Drain Valve Seal
	554276	Drain Valve Seal	
23	SPPRI240000021	Hose Clamp	60-80
24	SP526492	Drain Hose Pipe	
25	SP526532	Hose Clamp	82-90

Drain System (Drawing 2 of 2)

Modles with V in 7th Position



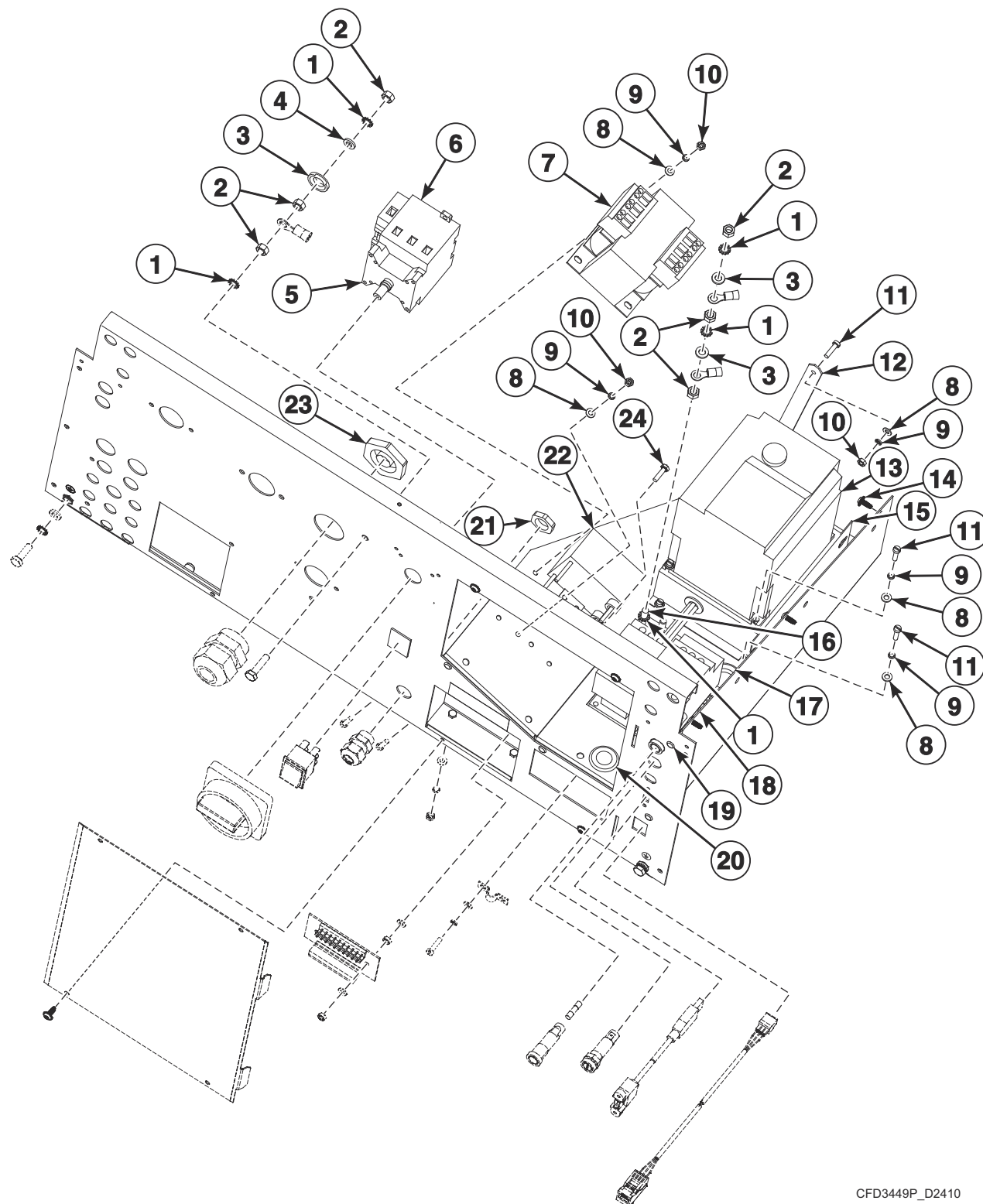
CZW158P_D2410

Drain System (Drawing 2 of 2)

REF	PART NO.	DESCRIPTION	COMMENTS
1	570315	Water Level Switch	
2	SPPRI241000017	Hose Clamp	A5.5
3	SPPRI540001003	Water Level Switch Hose	12.2 inch (0.31 m)
4	SPPRI503000028	Y-Piece	
5	SP283449080200	Spiral	
6	SP540183	Spring Clamp	
7	SP345000626088	Binding Strip	
8	SPPRI540001003	Water Level Switch Hose	31.5 inch (0.8 m)
9	SP100188	Foam Roller	
10	SPPRI540001003	Water Level Switch Hose	11.42 inch (0.29 m)
11	SPPRI503000027	Air Trap Reduction	
12	SPPRI240000003	Hose Clamp	20-32
13	SPPRI503002049	Hose	Air trap
14	SP500125	Reinforcement Tube	
15	SP526532	Hose Clamp	82-90
16	SP526492	Drain Hose Pipe	
17	SP526498	Drain Elbow	
18	SPPRI240000007	Hose Clamp	70-90
19	SPPRI240000021	Hose Clamp	60-80
20	SP526460	Drain Valve	Black; Includes SPPRI340002051 Drain Valve Motor and 554276 Drain Valve Seal
	SP547821	Reverse Function Drain Valve	Black; Includes SPPRI340002051 Drain Valve Motor and 554276 Drain Valve Seal
	SPPRI340002051	Drain Valve Motor	Includes gear box
	554276	Drain Valve Seal	
21	SP309933000820	Bolt	M8x20
22	SP311902100008	Washer	8
23	SP529206	Screw	4x11
24	SP526512	Drain Valve Holder	
25	SP526454	Tee	
26	SPPRI54100001	Hose Clamp	40-60
27	SP526480	Overflow Tube	

Rear Panel (Drawing 1 of 3)

All Models Except AF, IY and NY Models with G, H, J or K in 13th Position and
FX and PY Models with H or K in 13th Position



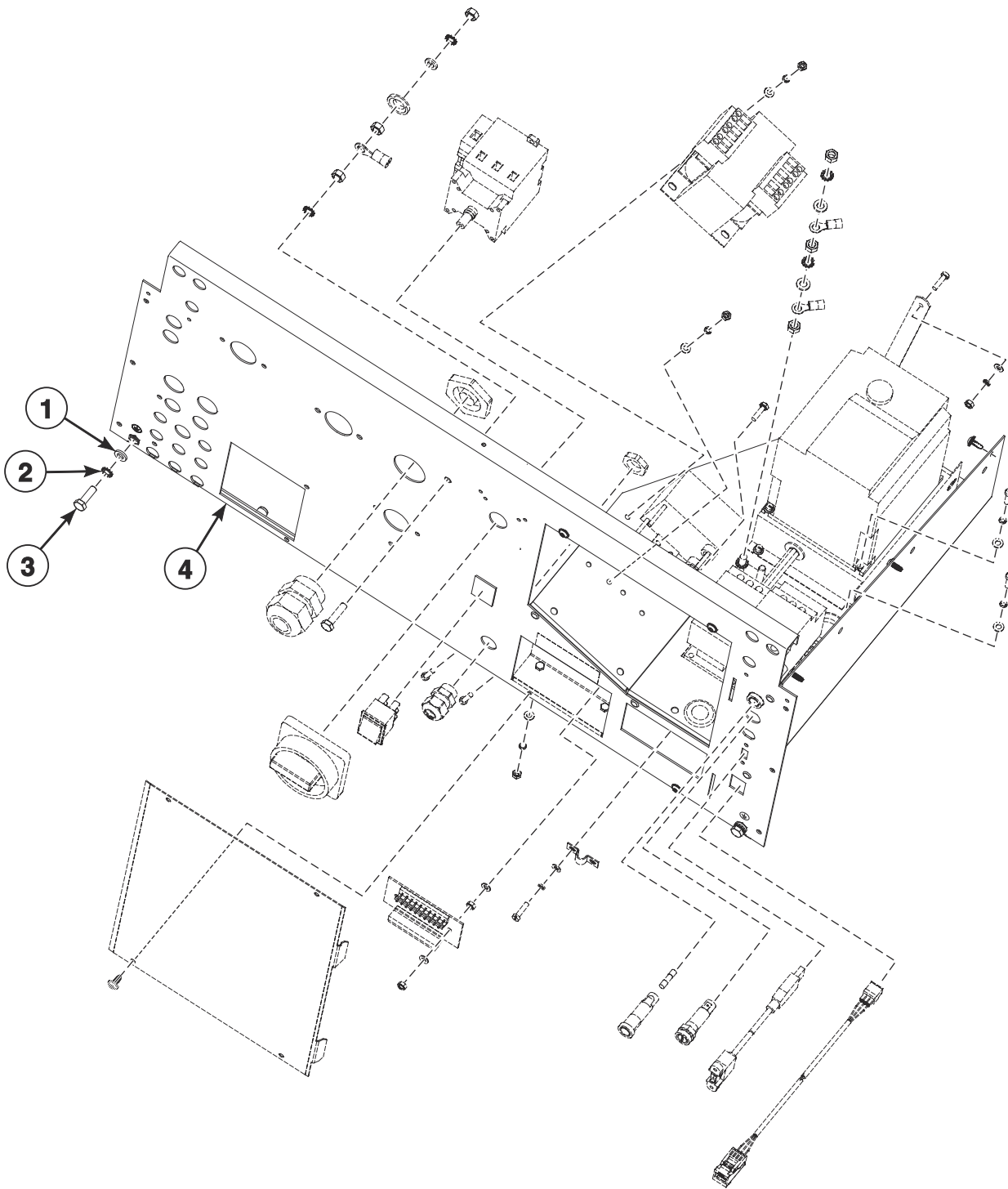
CFD3449P_D2410

Rear Panel (Drawing 1 of 3)

REF	PART NO.	DESCRIPTION	COMMENTS
	SP557768	Main Wiring	
	SP552475	Main Wiring	
	SP540180	Liquid Soap Supply Connection Kit	
	SPPRI350012007	Isolation Paper	
1	SP311679824006	Washer	M6
2	SP310934100006	Nut	M6
3	563361	Washer	CSA
4	SP311125100006	Washer	6.4
5	SP506407	Main Switch	25A; Fourth Pole
	SPPRI404001098	Main Switch	32A; Fourth Pole
	SPPRI404001099	Main Switch	63A; Fourth Pole
6	SPPRI404000098	Main Switch	32A
	SPPRI404000097	Main Switch	25A
	SPPRI404000099	Main Switch	63A
7	SP516648	Transformer	
8	SP311125000004	Washer	4.3
9	SP311127000004	Washer	4
10	SP310934000004	Nut	M4
11	SP309084000416	Bolt	M4x16
12	SP526474	Holder Partition	
	SP554382	Holder Partition	AF Non-Brand, H, HY, IY, J, LP, NY, SY and UY models
	SP540167	Holder Partition	AF, FX, HX, LY, MWF, PY, QW and SW models
13	571472	Frequency Inverter	FR-D720S-070
	571474	Frequency Inverter	FR-D740-036
	SP528323	Communication Cable	
	SP528325	Communication Cable	Model SY135_KIS_PHOTO-ME
14	SP529206	Screw	4x11
15	SP525935	Filter	FR-D740-xxx
16	SP309933100625	Bolt	M6x25
17	SP273121022002	Cable Passage	22x2; AF, FX, HX, LY, MWF, PY, QW and SW models through Serial No.135FX011672MB; AF Non-Brand, H, HY, IY, J, LP, NY, SY and UY models through Serial No. 135FX011416KZ
18	SPPRI345002019	Contacto	LC1D32M7
	SP514043	Contacto	LC1D50M7
	SP514038	Contacto	LC1-D09M7
	SP514042	Contacto	LC1D18M7
19	SP313250004007	Rivet	4x7
20	SP273121015002	Cable Passage	15x2; AF, FX, HX, LY, MWF, PY, QW and SW models through Serial No.135FX011672MB; AF Non-Brand, H, HY, IY, J, LP, NY, SY and UY models through Serial No. 135FX011416KZ
21	SP101416	Nut	M16
22	SP516012	Filter	FR-D720S-xxx
23	SP101419	Nut	M32
24	SP309933000416	Bolt	M4x16

Rear Panel (Drawing 2 of 3)

All Models Except AF, IY and NY Models with G, H, J or K in 13th Position and
FX and PY Models with H or K in 13th Position



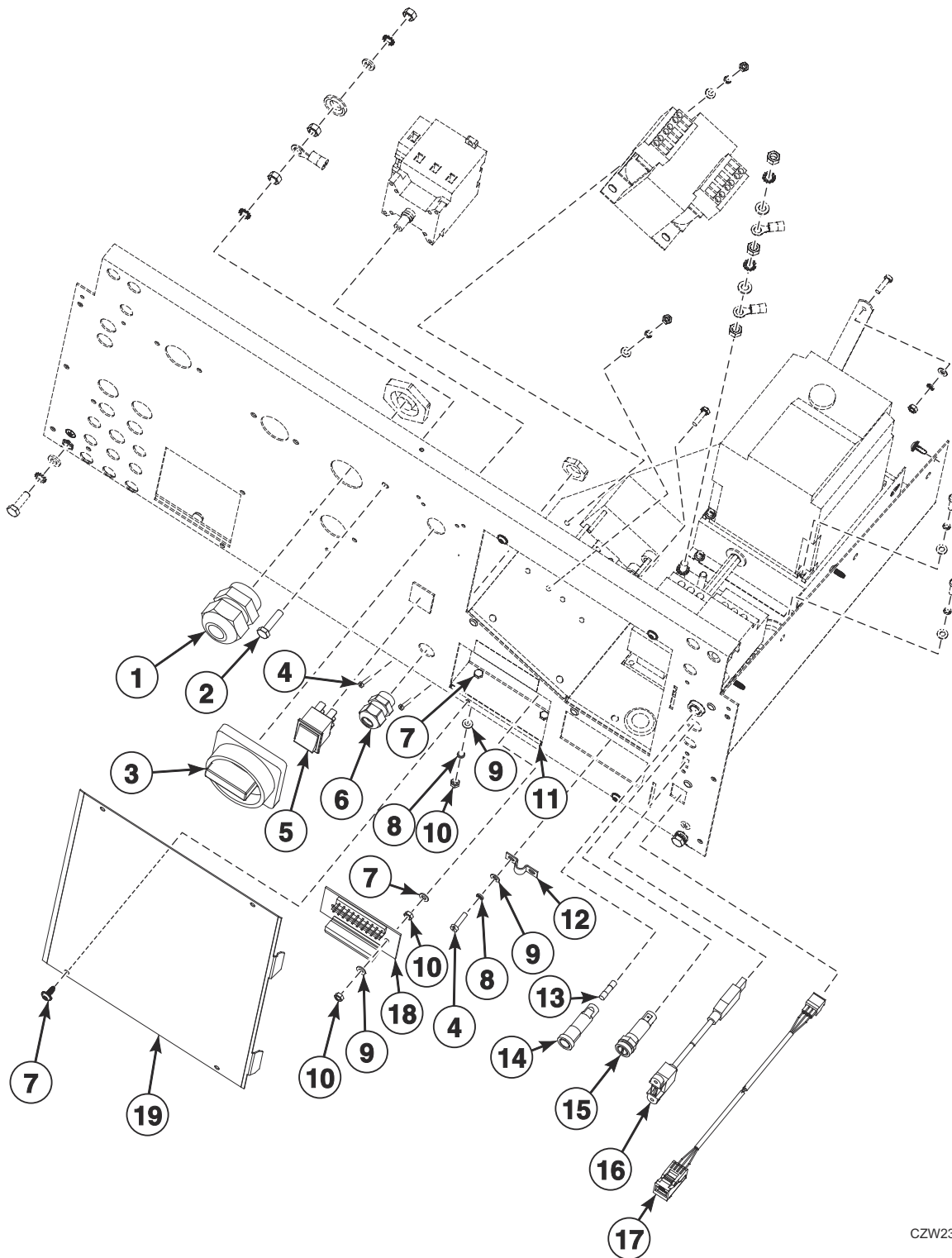
CFD3450P_D2410

Rear Panel (Drawing 2 of 3)

REF	PART NO.	DESCRIPTION	COMMENTS
	557982	Cable	Extra price option
	SP506575	Terminal Board	Extra price option
	557981	Label	Extra price option
	SP514057	Relay	RT424524; FX, IY, PY, SY and UY models; Wet cleaning with built-in recirculation pump; CE
	SP506586	Relay Case	RT78626; FX, IY, PY, SY and UY models; Wet cleaning with built-in recirculation pump; CE
	SP514135	Relay Clamp	FX, IY, PY, SY and UY models; Wet cleaning with built-in recirculation pump; CE
	552482	Fuse Housing	RT17017; FX, IY, PY, SY and UY models; Wet cleaning with built-in recirculation pump; CE
	552483	End Cover	FX, IY, PY, SY and UY models; Wet cleaning with built-in recirculation pump; CE
	SPPRI401001021	Fuse	FX, IY, PY, SY and UY models; Wet cleaning with built-in recirculation pump; CE
	568308	Sticker	FX, IY, PY, SY and UY models; Wet cleaning with built-in recirculation pump; CE
	528169	Interconnection	5x20mm F4A/250V; FX, IY, PY, SY and UY models; Wet cleaning with built-in recirculation pump; CE
	SP545220	Interconnection	FX, IY, PY, SY and UY models; Wet cleaning with built-in recirculation pump; CE
	505448	Conductor	1-120V; FX, IY, PY, SY and UY models; Wet cleaning with built-in recirculation pump; CE
	SP505446	Conductor	1-160V; FX, IY, PY, SY and UY models; Wet cleaning with built-in recirculation pump; CE
	557936	Isolation Cavity	Black; FX, IY, PY, SY and UY models; Wet cleaning with built-in recirculation pump; CE
	345000966067	Isolation Cavity	Blue; FX, IY, PY, SY and UY models; Wet cleaning with built-in recirculation pump; CE
	345000034150	Cable Eye	Wire size range 0.34mm; FX, IY, PY, SY and UY models; Wet cleaning with built-in recirculation pump; CE
	SP503817	Binding Strip	Wire size range 0.75mm; FX, IY, PY, SY and UY models; Wet cleaning with built-in recirculation pump; CE
	SP5345000626088	Binding Strip	M6/0,75; FX, IY, PY, SY and UY models; Wet cleaning with built-in recirculation pump; CE
	SP528313	Cable Holder	AMP 4-160974-1; 4.8x200; FX, IY, PY, SY and UY models; Wet cleaning with built-in recirculation pump; CE
1	SP311125240006	Washer	6.4
2	SP311679824006	Washer	M6
3	SP309933000620	Bolt	M6x20
4	SP554381	Rear Panel	AF Non-Brand, H, HY, IY, J, LP, NY, SY and UY models
	SP540149	Rear Panel	AF, FX, HX, LY, MWF, PY, QW and SW models

Rear Panel (Drawing 3 of 3)

All Models Except AF, IY and NY Models with G, H, J or K in 13th Position and
FX and PY Models with H or K in 13th Position



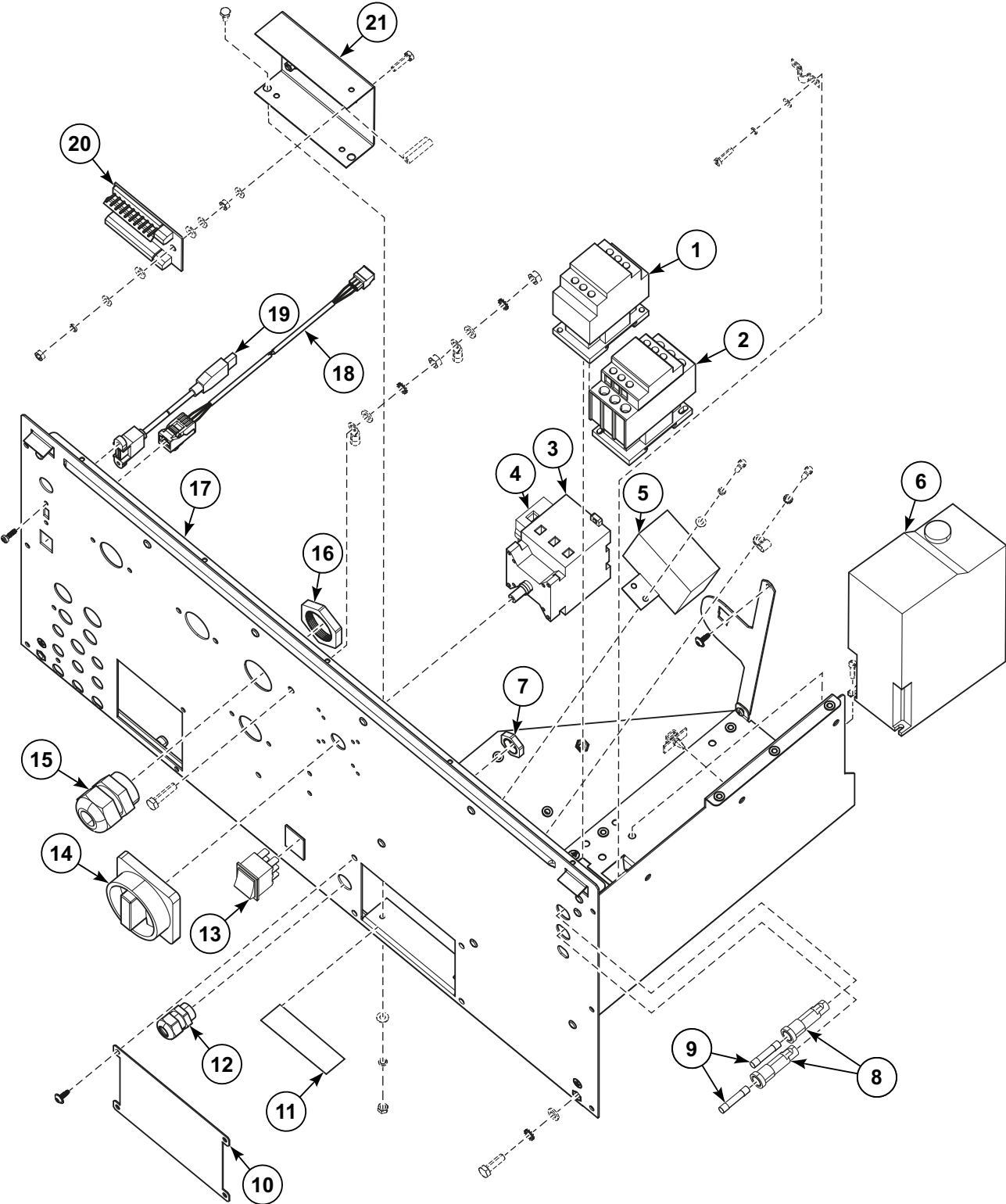
CZW23P_D2410

Rear Panel (Drawing 3 of 3)

REF	PART NO.	DESCRIPTION	COMMENTS
1	SP101409	Bushing	M32x1.5
	SP557952	Cable Bushing Insert	M32
2	SP309933100625	Bolt	M6x25
3	SPPRI404000095	Main Switch Knob	
4	SP309084000416	Bolt	M4x16
5	SP100388	Switch	
6	SP101406	Bushing	M16
7	SP529206	Screw	4x11
	SP309933240408	Bolt	M4x8
8	SP311127000004	Washer	4
9	SP311125000004	Washer	4.3
10	SP310934000004	Nut	M4
11	SP540123	Liquid Detergent Box	
12	SP528392	Cable Clamp	
13	SP345805005020	Fuse	5x20mm, T0.5A/250V
	SP345805163032	Fuse	6.3x32mm, T1A/500V
14	SPPRI401003020	Fuse Housing	6.3x32
15	SPPRI401001020	Fuse Holder	
16	SP547006	USB Cable	Rear panel connection
17	SP545234	Cable	RS485; With connectors
18	SP524714	Soap Relay Board	
	SP528149	Pump Relay Board to LED Terminal Cable	
	SP557944	Soap Link Kit	
	SP557947	External Block Signal Cable	2.8m
19	SP540121	Rear Panel Lid	

Rear Panel - 230-400V with Neutral (Drawing 1 of 2)

AF, IY and NY Models with G, H, J or K in 13th Position



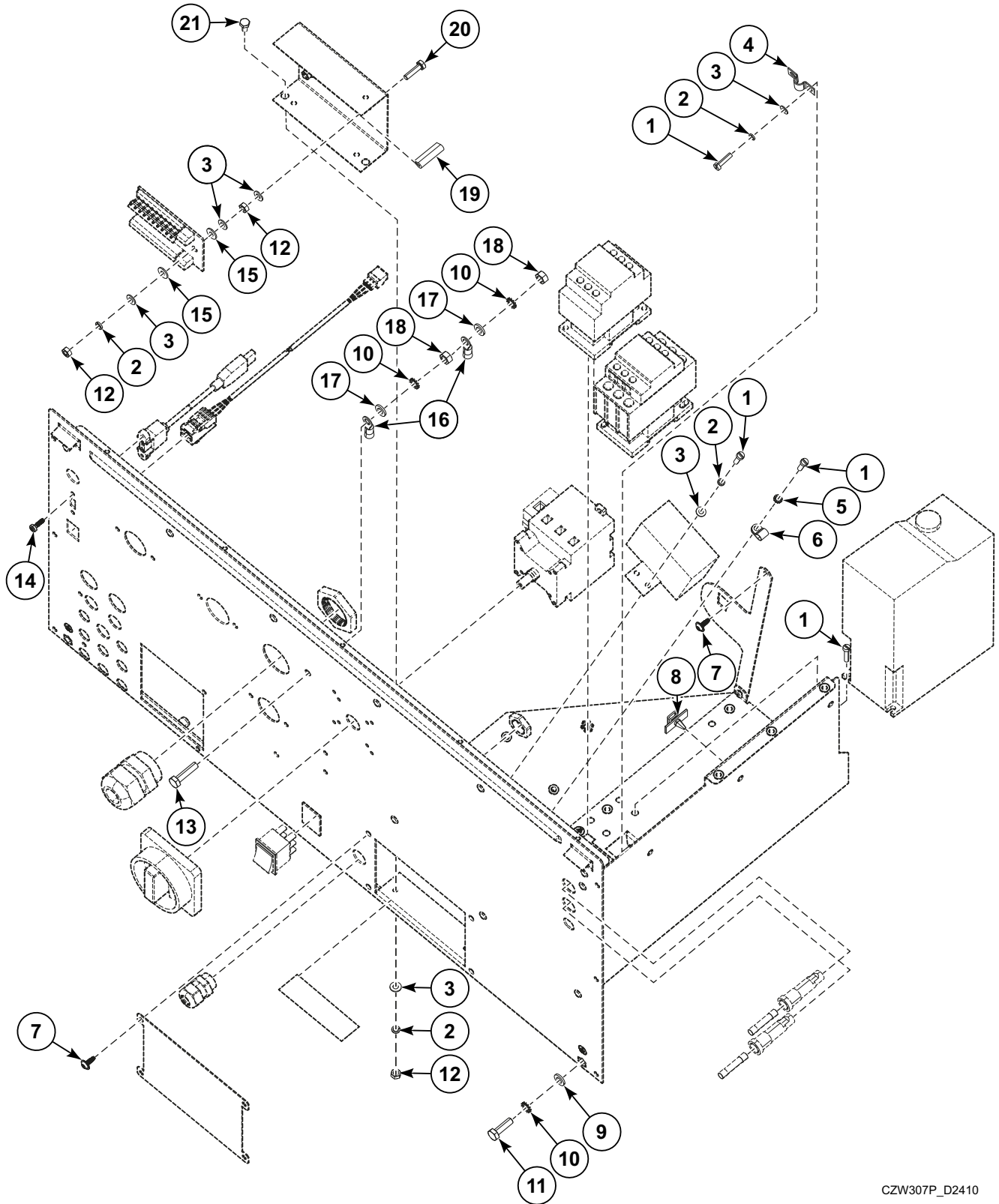
CZW306P_D2410

Rear Panel - 230-400V with Neutral (Drawing 1 of 2)

REF	PART NO.	DESCRIPTION	COMMENTS
1	SP514038	Contactors	LC1-D09M7; Used with Frequency Inverter
2	SP514038	Contactors	LC1-D09M7; Electric heating; 6kW, 9kW, 12kW 400V / 440V
	SP514042	Contactors	LC1D18M7; Electric heating 9kW 230V
	SPPRI345002019	Contactors	LC1D3201; Electric heating 12kW, 13.8kW 230V
3	SPPRI404000097	Main Switch	25A; used with SP506407 Main Switch Fourth Pole 25A
	SPPRI404000098	Main Switch	32A; used with SPPRI404001098 Main Switch Fourth Pole 32A
	SPPRI404000099	Main Switch	63A; used with SPPRI404001099 Main Switch Fourth Pole 63A
4	SP506407	Main Switch	25A; Fourth pole
	SPPRI404001098	Main Switch	32A; Fourth pole
	SPPRI404001099	Main Switch	63A; Fourth pole
5	SP516012	Filter	16A / 250V
6	571472	Frequency Inverter	1.5kW; 230V / 400V+N; FR-D720S-070-SC-E8
	571474	Frequency Inverter	1.5kW; 400V / 440V; FR-D740-036-SC-E8
	557961	Ferrite Core	Used with frequency inverter
7	SP101416	Nut	M16
8	SPPRI401003020	Fuse Housing	2 pieces
9	SP345805163032	Fuse	6.3x32mm, T1A/500V; 2 pieces
10	566549	Cover	
11	524740	Label	
12	SP101406	Bushing	M16
13	SP100388	Switch	
14	SPPRI404000095	Main Switch Knob	
15	SP101409	Bushing	M32x1.5
16	SP101419	Nut	M32
17	567946	Rear Panel	Assembly
18	SP545234	Cable	RS485; With connectors
19	SP547006	USB Cable	Rear panel connection; Optional
20	524714	Soap Relay Board	Used with SP528149 Pump Relay Board Flat Cable, l=1.8m
	SP557944	Soap Link Kit	
	SP557947	External Block Signal Cable	2.8m
21	540123	Holder	

Rear Panel - 230-400V with Neutral (Drawing 2 of 2)

AF, IY and NY Models with G, H, J or K in 13th Position



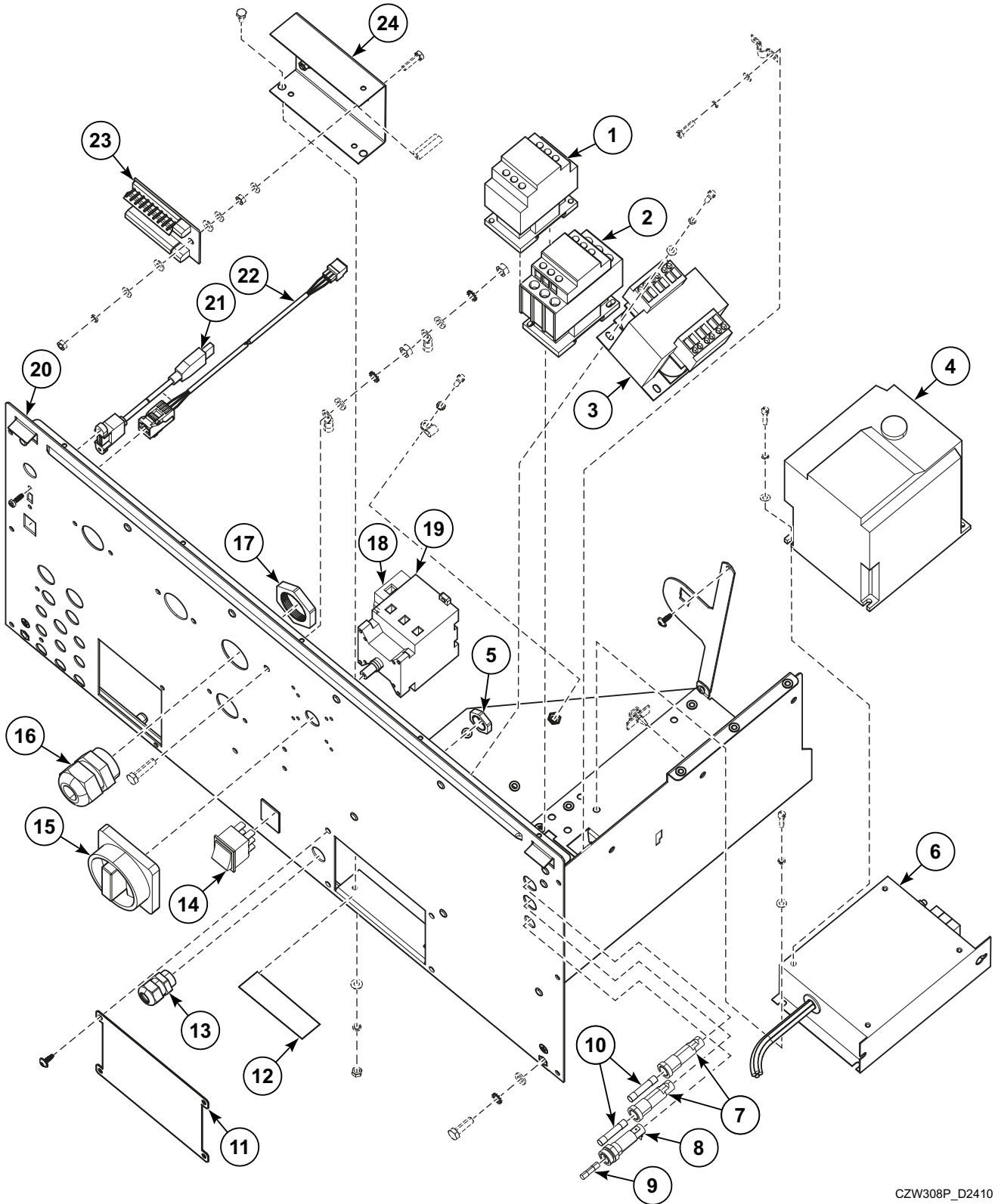
CZW307P_D2410

Rear Panel - 230-400V with Neutral (Drawing 2 of 2)

REF	PART NO.	DESCRIPTION	COMMENTS
1	SP309084000416	Bolt	M4x16
2	SP311127000004	Washer	4
3	SP311125000004	Washer	4.3
4	SP528392	Cable Clamp	
5	SP311679800004	Washer	M4
6	SP502214	Clip	
7	SP529206	Screw	4x11
8	SP528313	Cable Holder	
9	SP311125240006	Washer	6
10	SP311679824006	Washer	6
11	SP309933000620	Bolt	M6x20
12	SP310934000004	Nut	M4
13	SP309933100625	Bolt	M6x25
14	SP526497	Screw	4x12
15	SPPRI523000007	Washer	M4
16	SP345000165034	Cable Eye	
17	SP311125100006	Washer	
18	SP310934100006	Nut	M6
19	SPPRI505000058	Profiled Sealing	
20	SP309933000416	Bolt	M4x16
21	SP309933240408	Bolt	M4x8

Rear Panel - 400-440V (Drawing 1 of 2)

AF, IY and NY Models with G, H, J or K in 13th Position



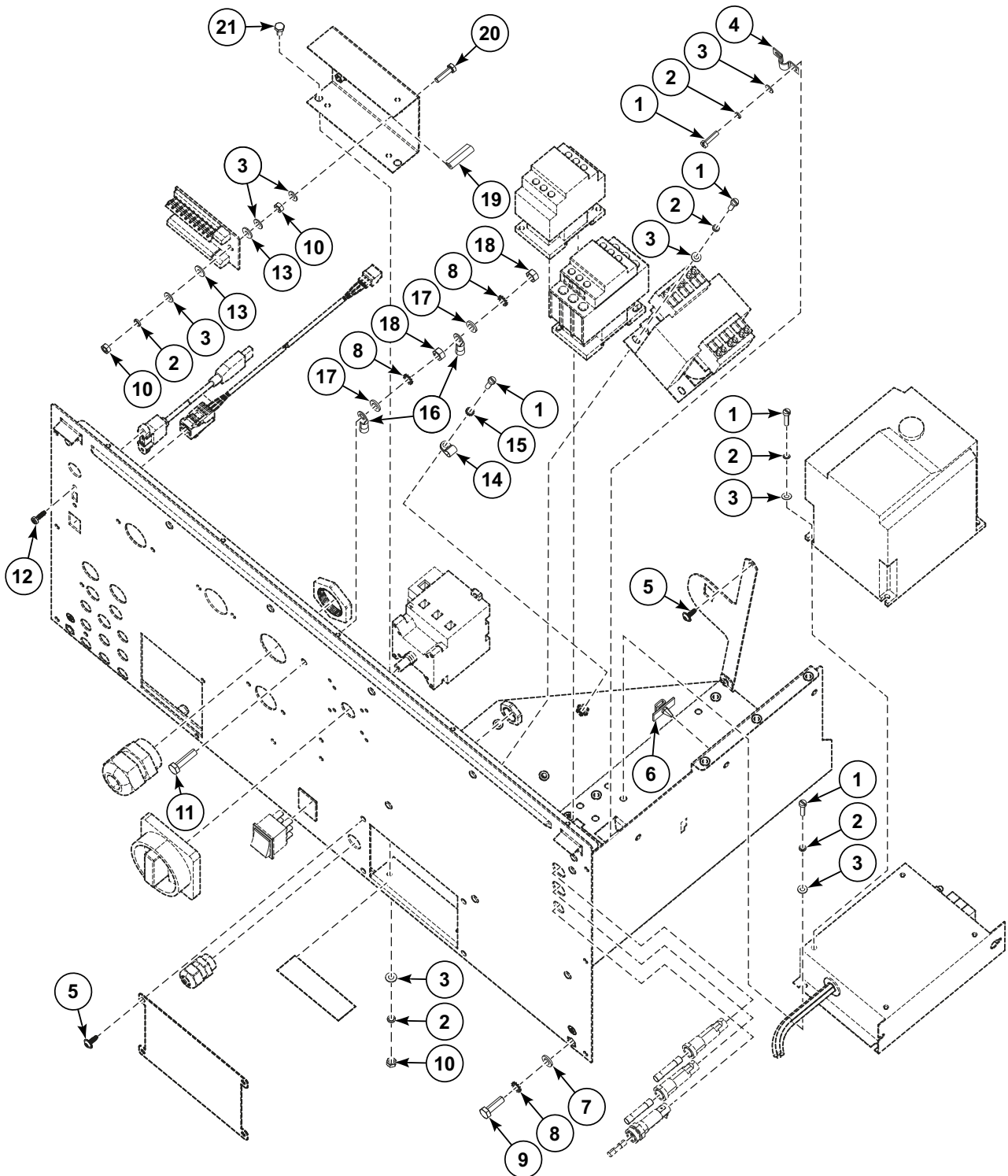
CZW308P_D2410

Rear Panel - 400-440V (Drawing 1 of 2)

REF	PART NO.	DESCRIPTION	COMMENTS
1	SP514038	Contactors	LC1-D09M7; Used with frequency inverter
2	SP514038	Contactors	LC1-D09M7; Electric heating; 6kW, 9kW, 12kW 400V / 440V
	SP514042	Contactors	LC1D18M7; Electric heating 9kW 230V
	SPPRI345002019	Contactors	LC1D3201; Electric heating 12kW, 13.8kW 230V
3	SP516648	Transformer	
4	571474	Frequency Inverter	1.5kW; 400V / 440V; FR-D740-036-SC-E8
	557961	Ferrite Core	Used with frequency inverter
5	SP101416	Nut	M16
6	525935	Filter	16A
7	SPPRI401003020	Fuse Housing	2 pieces
8	SPPRI1401001020	Fuse Holder	
9	SP345805005020	Fuse	
10	SP345805163032	Fuse	6.3x32mm, T1A/500V; 2 pieces
11	566549	Cover	
12	524740	Label	
13	SP101406	Bushing	M16
14	SP100388	Switch	
15	SPPRI404000095	Main Switch Knob	
16	SP101409	Bushing	M32x1.5
17	SP101419	Nut	M32
18	SP506407	Main Switch	25A; Fourth pole
	SPPRI404001098	Main Switch	32A; Fourth pole
	SPPRI404001099	Main Switch	63A; Fourth pole
19	SPPRI404000097	Main Switch	25A; Used with SP506407 Main Switch Fourth Pole 25A
	SPPRI404000098	Main Switch	32A; Used with SPPRI404001098 Main Switch Fourth Pole 32A
	SPPRI404000099	Main Switch	63A; Used with SPPRI404001099 Main Switch Fourth Pole 63A
20	567946	Rear Panel	135 models; Assembly
21	SP547006	USB Cable	Rear panel connection; Optional
22	SP545234	Cable	RS485; With connectors
23	524714	Soap Relay Board	Used with SP528149 Pump Relay Board Flat Cable, l=1.8m
	SP557944	Soap Link Kit	
	SP557947	External Block Signal Cable	2.8m
24	540123	Holder	

Rear Panel - 400-440V (Drawing 2 of 2)

AF, IY and NY Models with G, H, J or K in 13th Position



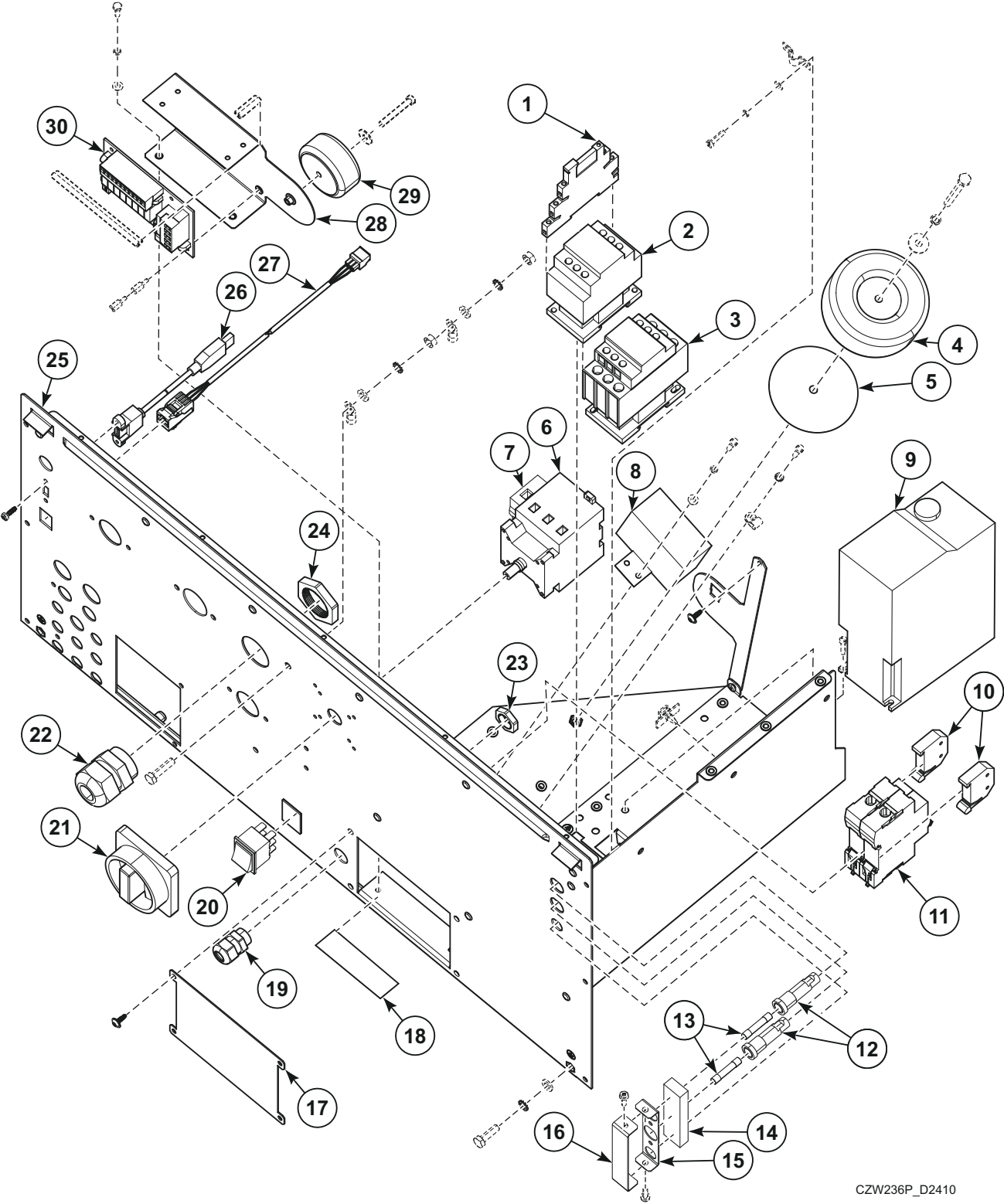
CZW309P_D2410

Rear Panel - 400-440V (Drawing 2 of 2)

REF	PART NO.	DESCRIPTION	COMMENTS
1	SP309084000416	Bolt	M4x16
2	SP311127000004	Washer	4
3	SP311125000004	Washer	4.3
4	SP528392	Cable Clamp	
5	SP529206	Screw	4x11
6	SP528313	Cable Holder	
7	SP311125240006	Washer	6
8	SP311679824006	Washer	6
9	SP309933000620	Bolt	M6x20
10	SP310934000004	Nut	M4
11	SP309933100625	Bolt	M6x25
12	SP526497	Screw	4x12
13	SPPRI523000007	Washer	M4
14	SP502214	Clip	
15	SP311679800004	Washer	M4
16	SP345000165034	Cable Eye	
17	SP311125100006	Washer	
18	SP310934100006	Nut	M6
19	SPPRI505000058	Profiled Sealing	
20	SP309933000416	Bolt	M4x16
21	SP309933240408	Bolt	M4x8

Rear Panel - CE Models 230-400V with Neutral (Drawing 1 of 2)

AF, IY, NY and J Models with V in 7th Position



CZW236P_D2410

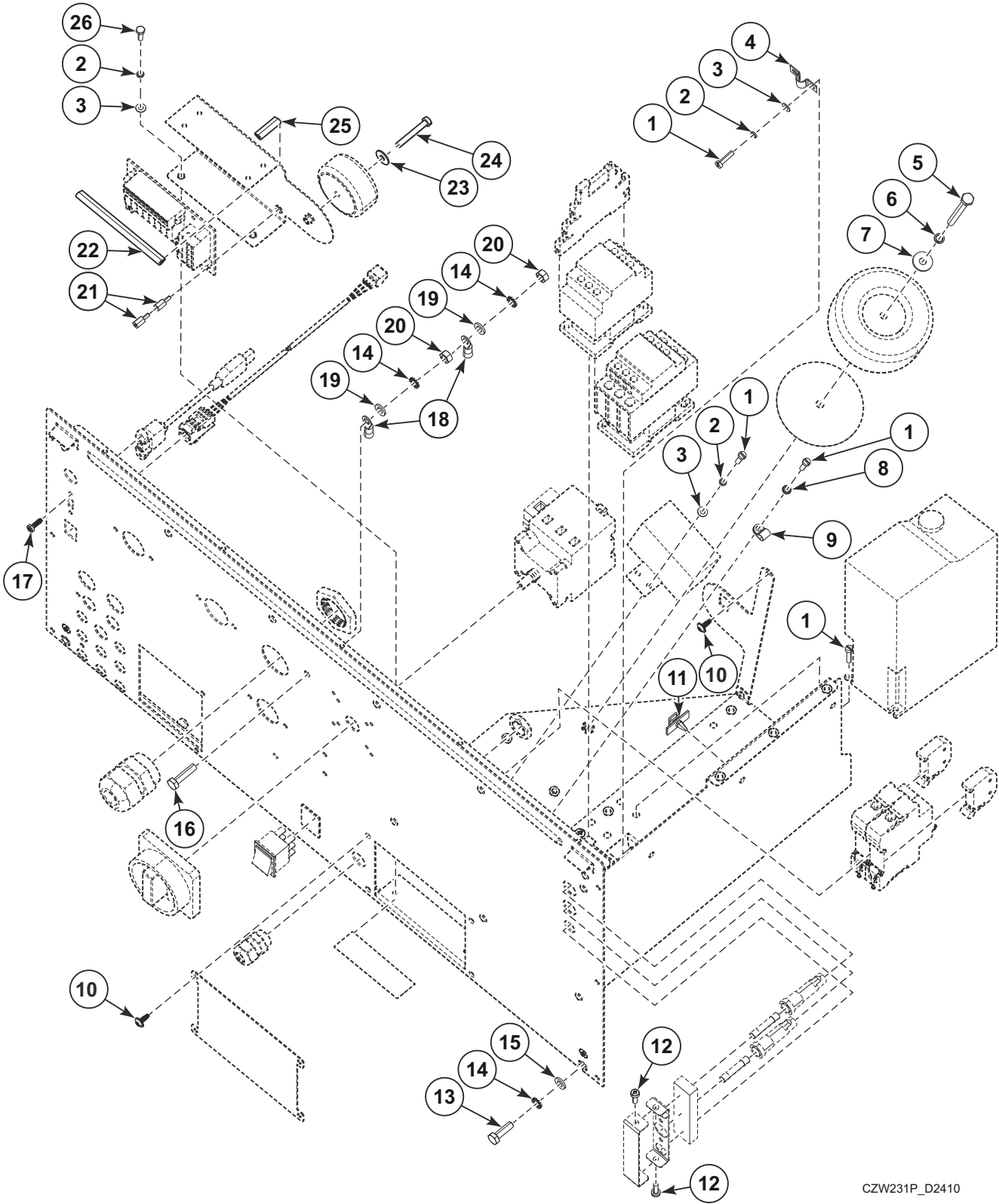
Rear Panel - CE Models 230-400V with Neutral (Drawing 1 of 2)

REF	PART NO.	DESCRIPTION	COMMENTS
1	N/A	Relay	
2	SP514038	Contactors	LC1-D09M7; Used with Frequency Inverter
3	SP514038	Contactors	LC1-D09M7; Electric heating; 6kW, 9kW, 12kW 400V / 440V
	SP514042	Contactors	LC1D18M7; Electric heating 9kW 230V
	SPPRI345002019	Contactors	LC1D3201; Electric heating 12kW, 13.8kW, 230V
4	571455	DC Choke	4mH; Supply 230V, 380-415V+N
5	571458	Insulation Washer	
6	SPPRI404000097	Main Switch	25A; used with SP506407 Main Switch Fourth Pole 25A
	SPPRI404000098	Main Switch	32A; used with SPPRI404001098 Main Switch Fourth Pole 32A
	SPPRI404000099	Main Switch	63A; used with SPPRI404001099 Main Switch Fourth Pole 63A
7	SP506407	Main Switch	25A; Fourth pole
	SPPRI404001098	Main Switch	32A; Fourth pole
	SPPRI404001099	Main Switch	63A; Fourth pole
8	568380	Filter	20A / 250V
9	571472	Frequency Inverter	1.5kW; 230V / 400V+N; FR-D720S-070-SC-E8
	571474	Frequency Inverter	1.5kW; 400V / 440V; FR-D740-036-SC-E8
	557961	Ferrite Core	Used with frequency inverter
10	SP346000209101	End Stop	
11	571463	Circuit Breaker	
12	SPPRI401003020	Fuse Housing	2 pieces
13	SP345805163032	Fuse	6.3x32mm, T1A/500V; 2 pieces
14	570387	Self-Adhesive Profile	
15	SP554310	Fuse Holder	
16	SP554311	Fuse Cover	
17	566549	Cover	
18	570371	Label	
19	SP101406	Bushing	M16
20	SP100388	Switch	
21	SPPRI404000095	Main Switch Knob	
22	SP101409	Bushing	M32x1.5
23	SP101416	Nut	M16
24	SP101419	Nut	M32
25	567946	Rear Panel	Assembly
26	SP547006	USB Cable	Rear panel connection; Optional
27	SP545234	Cable	RS485; With connectors
28	570382	Holder	
29	564561	Transformer	
30	553187	Soap Relay Board	Used with 569737 Pump Relay Board Flat Cable, 2m long

N/A = Part no longer available

Rear Panel - CE Models 230-400V with Neutral (Drawing 2 of 2)

AF, IY, NY and J Models with V in 7th Position



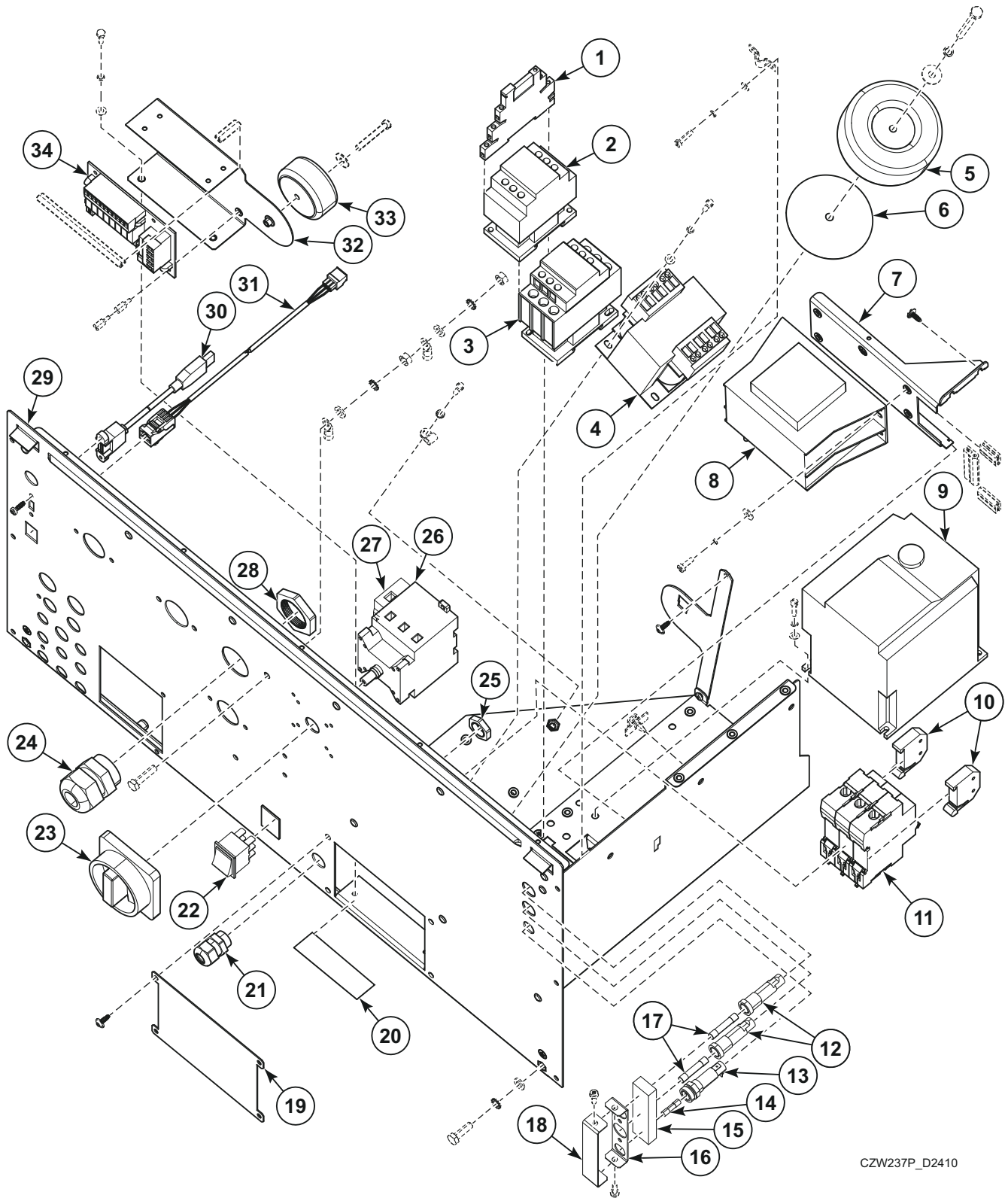
CZW231P_D2410

Rear Panel - CE Models 230-400V with Neutral (Drawing 2 of 2)

REF	PART NO.	DESCRIPTION	COMMENTS
1	SP309084000416	Bolt	M4x16
2	SP311127000004	Washer	4
3	SP311125000004	Washer	4.3
4	SP528392	Cable Clamp	
5	SP309933000660	Bolt	M6x60
6	SP311127000006	Washer	6
7	SP311902100006	Washer	6
8	SP311679800004	Washer	M4x16
9	SP502214	Clip	
10	SP529206	Screw	4x11
11	SP528313	Cable Holder	
12	SP555504	Bolt	
13	SP309933000620	Bolt	M6x20
14	SP311679824006	Washer	6
15	SP311125240006	Washer	6
16	SP309933100625	Bolt	M6x25
17	SP526497	Screw	4x12
18	SP345000165034	Cable Eye	
19	SP311125100006	Washer	6
20	SP310934100006	Nut	M6
21	570381	Hex Pillar	M3
22	SPPRI505000058	Profiled Sealing	0.105m
23	SP505430	Washer	5
24	SP309084000535	Bolt	M5x35
25	SPPRI505000058	Profiled Sealing	0.025m
26	SP309933240412	Bolt	M4x12

Rear Panel - CE Models 400-440V (Drawing 1 of 2)

AF, IY, NY and J Models with V in 7th Position



CZW237P_D2410

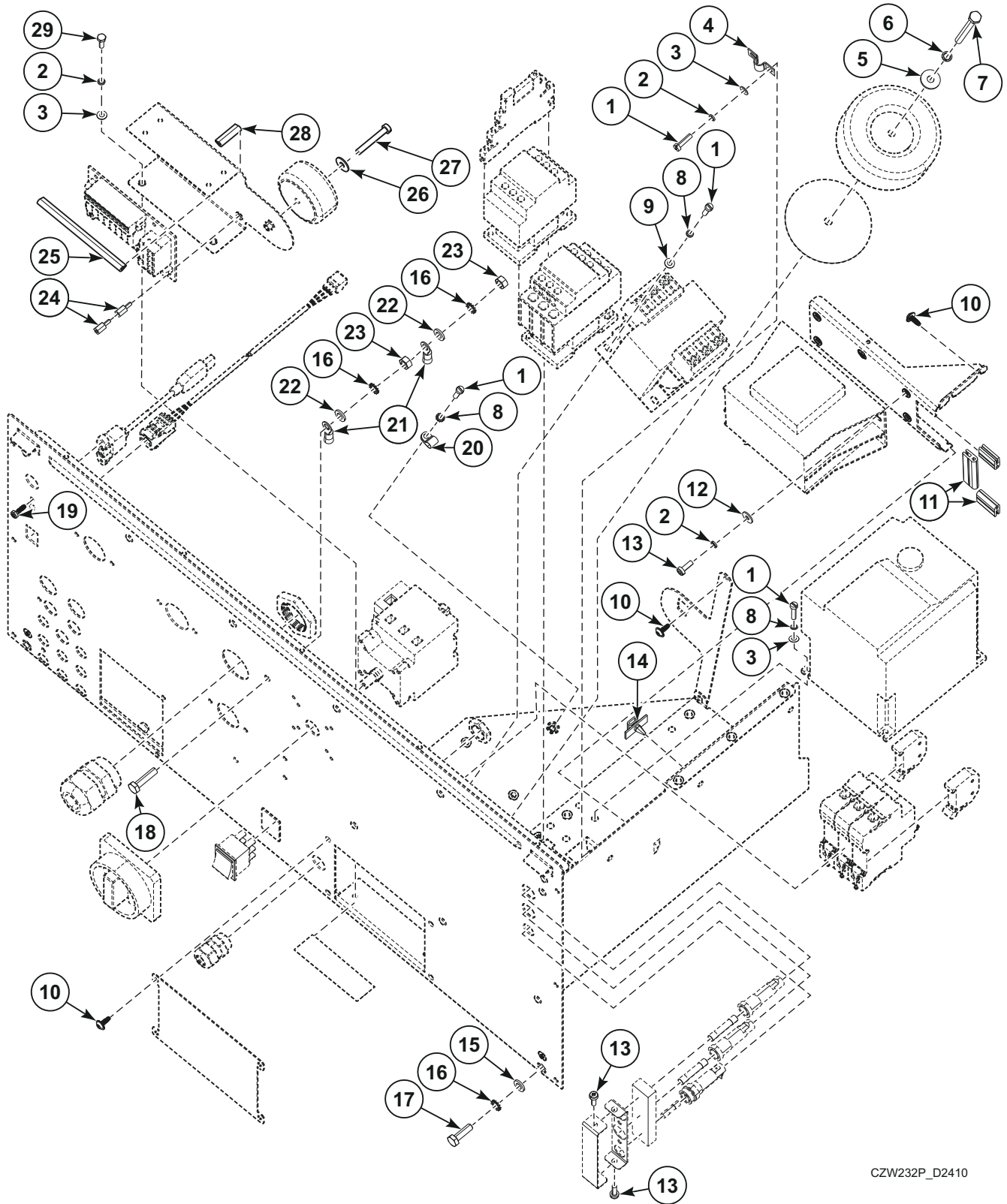
Rear Panel - CE Models 400-440V (Drawing 1 of 2)

REF	PART NO.	DESCRIPTION	COMMENTS
1	N/A	Relay	
2	SP514038	Contactora	LC1-D09M7; Used with Frequency Inverter
3	SP514038	Contactora	LC1-D09M7; Electric heating; 6kW, 9kW, 12kW 400V / 440V
	SP514042	Contactora	LC1D18M7; Electric heating 9kW 230V
	SPPRI345002019	Contactora	LC1D3201; Electric heating 12kW, 13.8kW, 230V
4	SP516648	Transformer	
5	571455	DC Choke	4mH; Supply 230V / 400V+N
6	571458	Insulation Washer	
7	572126	Filter Holder	Used with SP313251002104 Nut
8	SP557932	Frequency Inverter Filter	3x400V
9	571474	Frequency Inverter	1.5kW; 400V / 440V; FR-D740-036-SC-E8
	557961	Ferrite Core	Used with frequency inverter
10	SP346000209101	End Stop	
11	571464	Circuit Breaker	
12	SPPRI401003020	Fuse Housing	2 pieces
13	SPPRI401001020	Fuse Holder	
14	SP345805005020	Fuse	Without neutral
15	570387	Self-Adhesive Profile	
16	SP554310	Fuse Holder	
17	SP345805163032	Fuse	6.3x32mm, T1A/500V; 2 pieces
18	SP554311	Fuse Cover	
19	566549	Cover	
20	570371	Label	
21	SP101406	Bushing	M16
22	SP100388	Switch	
23	SPPRI404000095	Main Switch Knob	
24	SP101409	Bushing	M32x1.5
25	SP101416	Nut	M16
26	SPPRI404000097	Main Switch	25A
	SPPRI404000098	Main Switch	32A
	SPPRI404000099	Main Switch	63A
27	SP506407	Main Switch	25A; Fourth pole
	SPPRI404001098	Main Switch	32A; Fourth pole
	SPPRI404001099	Main Switch	63A; Fourth pole
28	SP101419	Nut	M32
29	567946	Rear Panel	Assembly
30	SP547006	USB Cable	Rear panel connection; Optional
31	SP545234	Cable	RS485; With connectors
32	570382	Holder	
33	564561	Transformer	
34	553187	Soap Relay Board	Used with 569737 Pump Relay Board Flat Cable, 2m long

N/A = Part no longer available

Rear Panel - CE Models 400-440V (Drawing 2 of 2)

AF, IY, NY and J Models with V in 7th Position



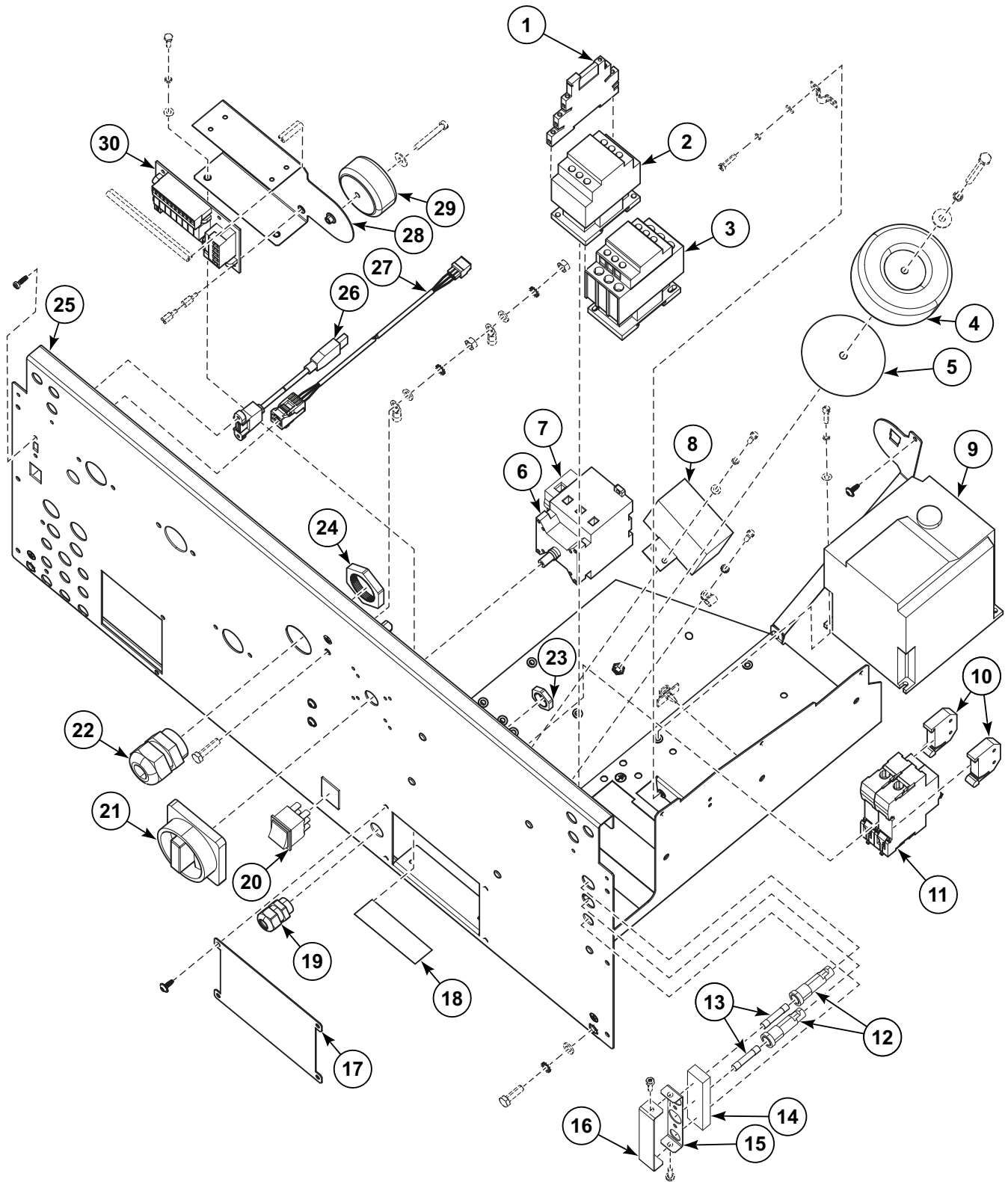
CZW232P_D2410

Rear Panel - CE Models 400-440V (Drawing 2 of 2)

REF	PART NO.	DESCRIPTION	COMMENTS
1	SP309084000416	Bolt	M4x16
2	SP311127000004	Washer	4
3	SP311125000004	Washer	4.3
4	SP528392	Cable Clamp	
5	SP311902100006	Washer	6
6	SP311127000006	Washer	6
7	SP309933000660	Bolt	M6x60
8	SP311679800004	Washer	M4x16
9	SP311125000004	Washer	4.3
10	SP529206	Screw	4x11
11	SP529068	Edge Protection	
12	SP311902100004	Washer	4
13	SP555504	Bolt	4x12
14	SP528313	Cable Holder	
15	SP311125240006	Washer	6
16	SP311679824006	Washer	6
17	SP309933000620	Bolt	M6x20
18	SP309933100625	Bolt	M6x25
19	SP526497	Screw	4x12
20	SP502214	Clip	
21	SP345000165034	Cable Eye	
22	SP311125100006	Washer	6
23	SP310934100006	Nut	M6
24	570381	Hex Pillar	M3
25	SPPRI505000058	Profiled Sealing	0.105m
26	SP505430	Washer	5
27	SP309084000535	Bolt	M5x35
28	SPPRI505000058	Profiled Sealing	0.025m
29	SP309933240412	Bolt	M4x12

Rear Panel - 230V/400V + N (Drawing 1 of 2)

FX and PY Models with V in 7th Position



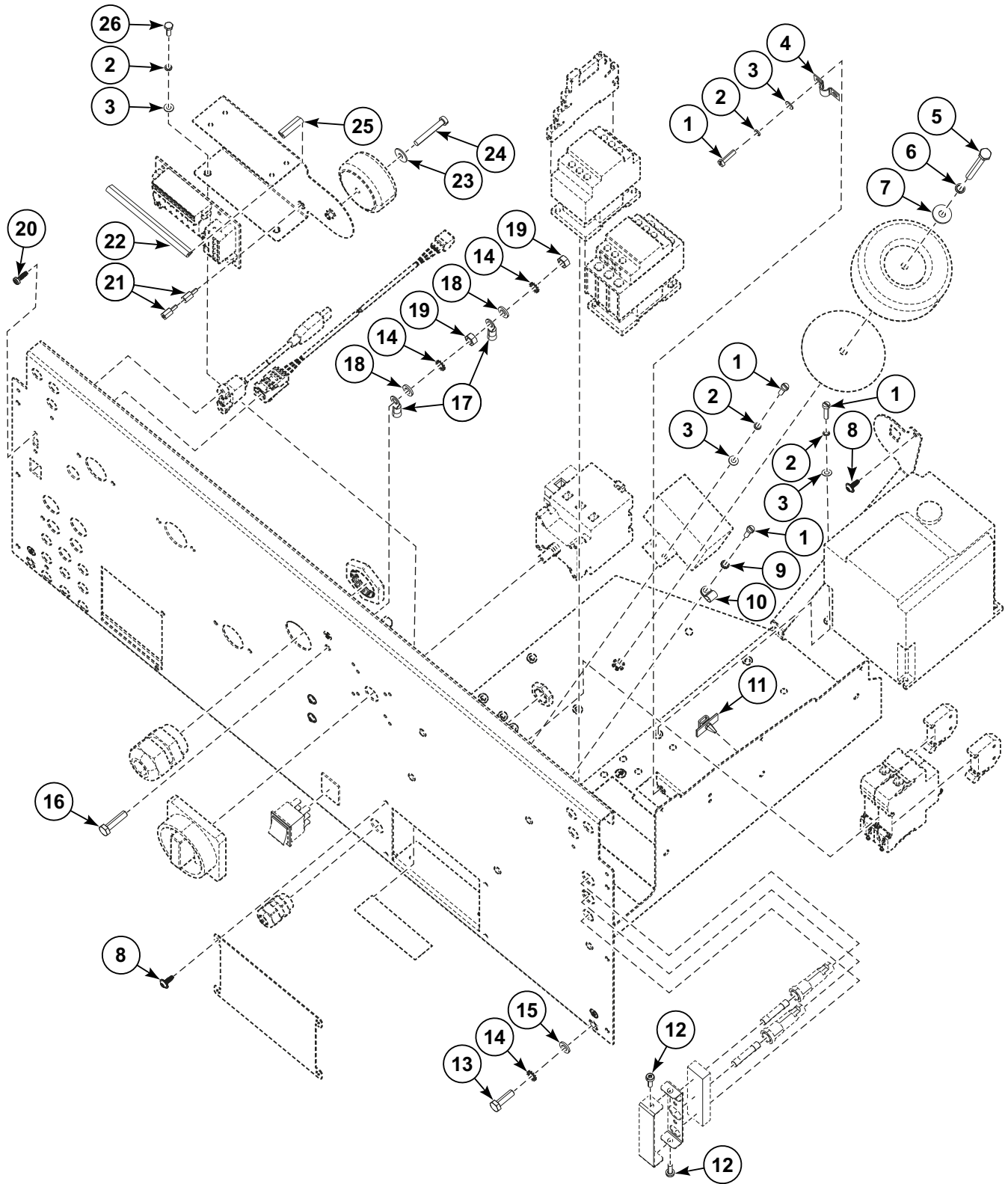
CZW333P_D2410

Rear Panel - 230V/400V + N (Drawing 1 of 2)

REF	PART NO.	DESCRIPTION	COMMENTS
1	N/A	Relay	
2	SP514038	Contactora	LC1-D09M7; Used with Frequency Inverter
3	SP514038	Contactora	LC1-D09M7; Electric heating; 6kW, 9kW, 12kW 400V / 440V
	SP514042	Contactora	LC1D18M7; Electric heating 9kW 230V
	SPPRI345002019	Contactora	LC1D3201; Electric heating 12kW, 13.8kW, 230V
4	571454	DC Choke	9.7mH; Supply 400 / 440V
	571455	DC Choke	4mH; Supply 230V, 380-415V+N
5	571458	Insulation Washer	
6	SPPRI404000097	Main Switch	25A; used with SP506407 Main Switch Fourth Pole 25A
	SPPRI404000098	Main Switch	32A; used with SPPRI404001098 Main Switch Fourth Pole 32A
	SPPRI404000099	Main Switch	63A; used with SPPRI404001099 Main Switch Fourth Pole 63A
7	SP506407	Main Switch	25A; Fourth pole
	SPPRI404001098	Main Switch	32A; Fourth pole
	SPPRI404001099	Main Switch	63A; Fourth pole
8	568380	Filter	20A / 250V
9	571472	Frequency Inverter	1.5kW; 230V / 400V+N; FR-D720S-070-SC-E8
	557961	Ferrite Core	Used with frequency inverter
10	SP346000209101	End Stop	
11	571463	Circuit Breaker	
12	SPPRI401003020	Fuse Housing	2 pieces
13	SP345805163032	Fuse	6.3x32mm, T1A/500V; 2 pieces
14	570387	Self-Adhesive Profile	
15	SP554310	Fuse Holder	
16	SP554311	Fuse Cover	
17	566549	Cover	
18	570371	Label	
19	SP101406	Bushing	M16
20	SP100388	Switch	
21	SPPRI404000095	Main Switch Knob	
22	SP101409	Bushing	M32x1.5
23	SP101416	Nut	M16
24	SP101419	Nut	M32
25	574118	Rear Panel	Assembly
26	SP547006	USB Cable	Rear panel connection; Optional
27	SP545234	Cable	RS485; With connectors
28	570382	Holder	
29	564561	Transformer	
30	553187	Soap Relay Board	Used with 569737 Pump Relay Board Flat Cable, 2m long

Rear Panel - 230V/400V + N (Drawing 2 of 2)

FX and PY Models with V in 7th Position



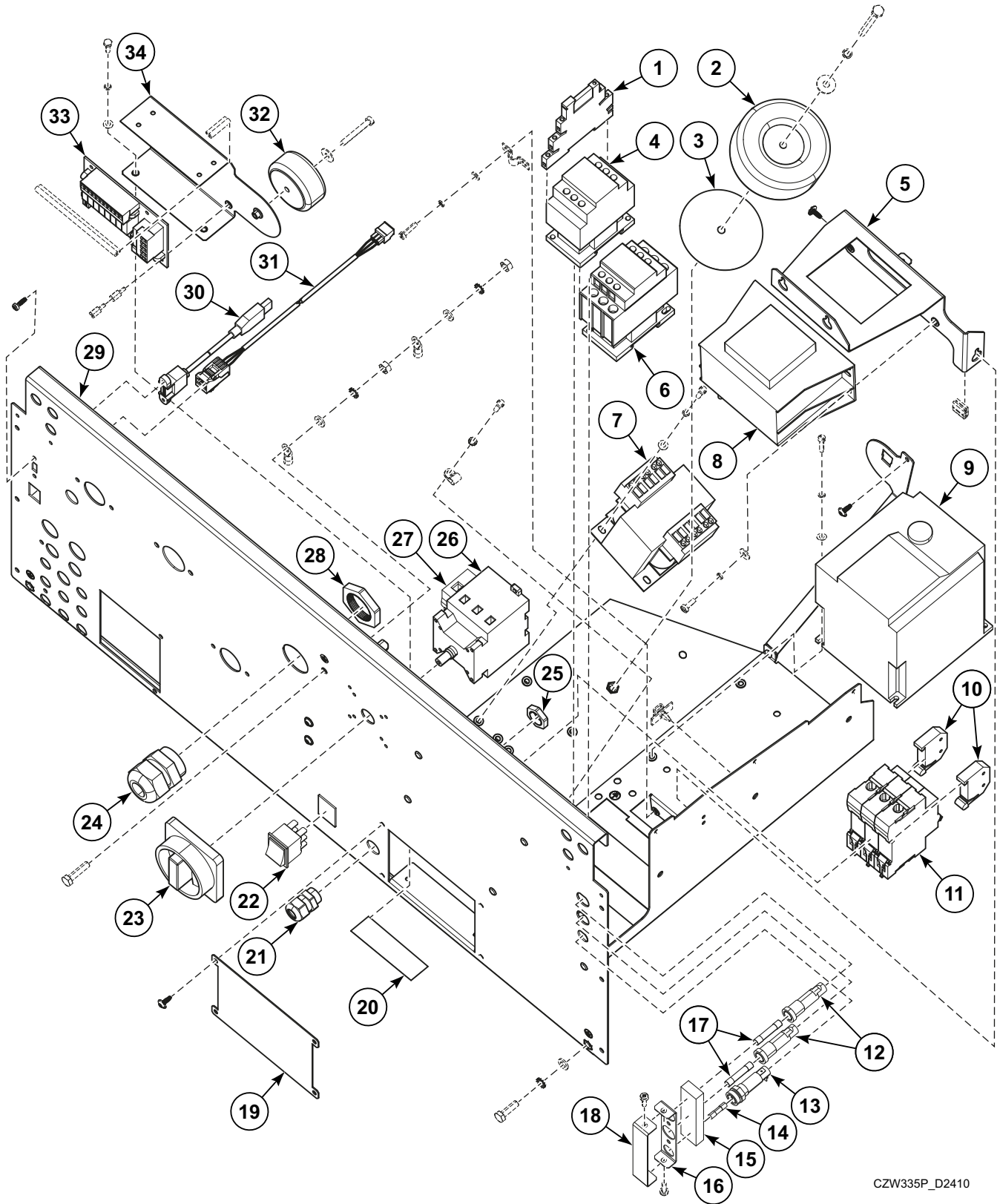
CZW334P_D2410

Rear Panel - 230V/400V + N (Drawing 2 of 2)

REF	PART NO.	DESCRIPTION	COMMENTS
1	SP309084000416	Bolt	M4x16
2	SP311127000004	Washer	4
3	SP311125000004	Washer	4.3
4	SP528392	Cable Clamp	
5	SP309933000660	Bolt	M6x60
6	SP311127000006	Washer	6
7	SP311902100006	Washer	6
8	SP529206	Screw	4x11
9	SP311679800004	Washer	M4x16
10	SP502214	Clip	
11	SP528313	Cable Holder	
12	SP555504	Bolt	M4x12
13	SP309933000620	Bolt	M6x20
14	SP311679824006	Washer	6
15	SP311125240006	Washer	6
16	SP309933100625	Bolt	M6x25
17	SP345000165034	Cable Eye	
18	SP311125100006	Washer	6
19	SP310934100006	Nut	M6
20	SP526497	Screw	4x12
21	570381	Hex Pillar	M3
22	SPPRI505000058	Profiled Sealing	0.105m
23	SP505430	Washer	5
24	SP309084000535	Bolt	M5x35
25	SPPRI505000058	Profiled Sealing	0.025m
26	SP309933240412	Bolt	M4x12

Rear Panel - 400/440V-480V (Drawing 1 of 2)

FX and PY Models with V in 7th Position



CZW335P_D2410

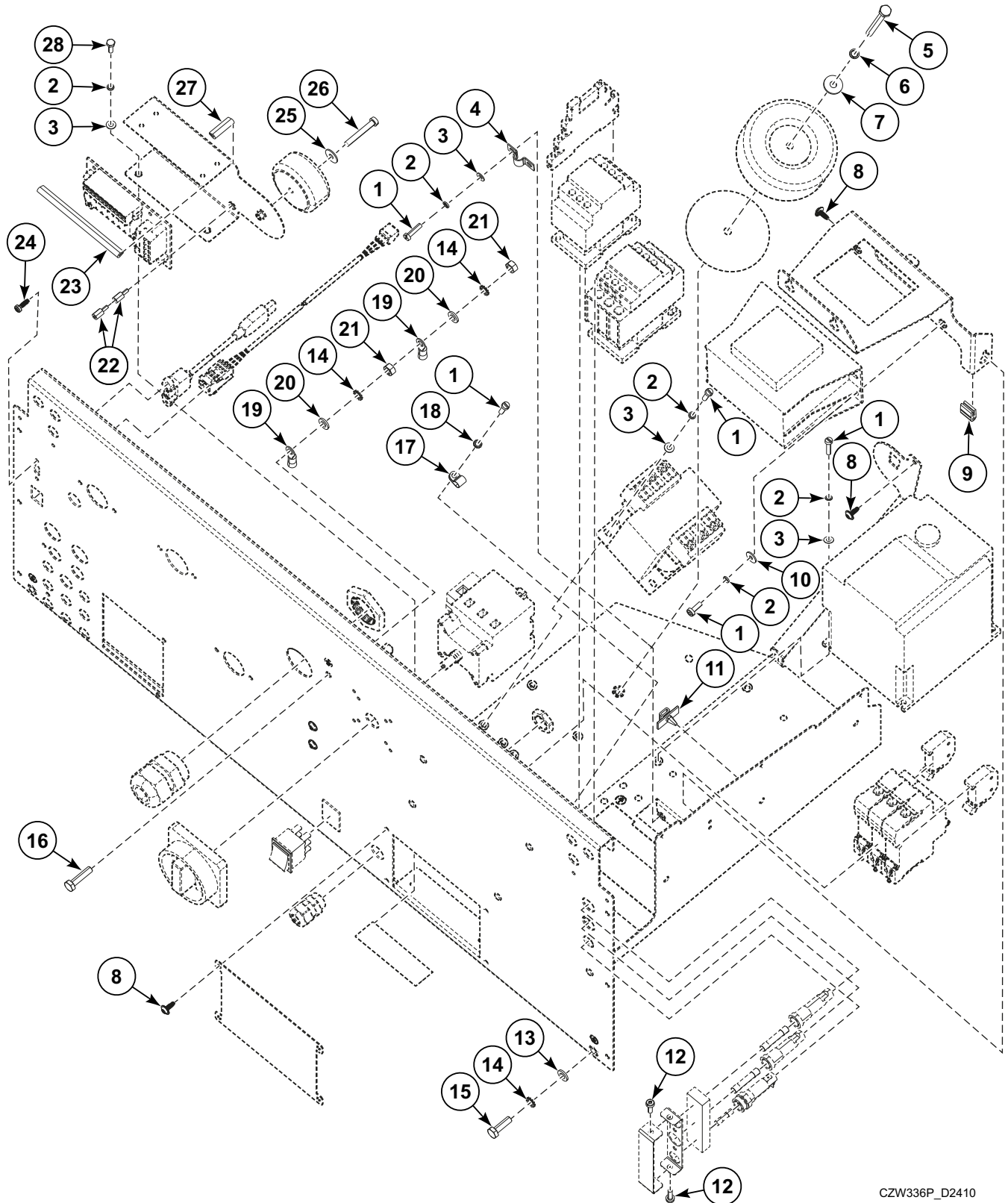
Rear Panel - 400/440V-480V (Drawing 1 of 2)

REF	PART NO.	DESCRIPTION	COMMENTS
1	N/A	Relay	
2	571454	DC Choke	9.7mH; Supply 400V / 440V
3	571458	Insulation Washer	
4	SP514038	Contactator	LC1-D09M7; Used with Frequency Inverter
5	574850	Filter Holder	Used with SP313251002104 Nut
6	SP514038	Contactator	LC1-D09M7; Electric heating; 6kW, 9kW, 12kW 400V / 440V
	SP514042	Contactator	LC1D18M7; Electric heating 9kW 230V
	SPPRI345002019	Contactator	LC1D3201; Electric heating 12kW, 13.8kW, 230V
7	SP516648	Transformer	
8	SP557932	Frequency Inverter Filter	3x400V
9	571474	Frequency Inverter	1.5kW; 400V / 440V; FR-D740-036-SC-E8
	557961	Ferrite Core	Used with frequency inverter
10	SP346000209101	End Stop	
11	571464	Circuit Breaker	
12	SPPRI401003020	Fuse Housing	2 pieces
13	SPPRI401001020	Fuse Holder	
14	SP345805005020	Fuse	Without Neutral
15	570387	Self-Adhesive Profile	
16	SP554310	Fuse Holder	
17	SP345805163032	Fuse	6.3x32mm, T1A/500V; 2 pieces
18	SP554311	Fuse Cover	
19	566549	Cover	
20	570371	Label	
21	SP101406	Bushing	M16
22	SP100388	Switch	
23	SPPRI404000095	Main Switch Knob	
24	SP101409	Bushing	M32x1.5
25	SP101416	Nut	M16
26	SPPRI404000097	Main Switch	25A
	SPPRI404000098	Main Switch	32A
	SPPRI404000099	Main Switch	63A
27	N/A	Main Switch	25A; Fourth pole
	N/A	Main Switch	32A; Fourth pole
	N/A	Main Switch	63A; Fourth pole
28	SP101419	Nut	M32
29	574118	Rear Panel	
30	SP547006	USB Cable	Rear panel connection; Optional
31	SP545234	Cable	RS485; With connectors
32	564561	Transformer	
33	553187	Soap Relay Board	Used with 569737 Pump Relay Board Flat Cable, 2m long
34	570382	Holder	

N/A = Part no longer available

Rear Panel - 400/440V-480V (Drawing 2 of 2)

FX and PY Models with V in 7th Position



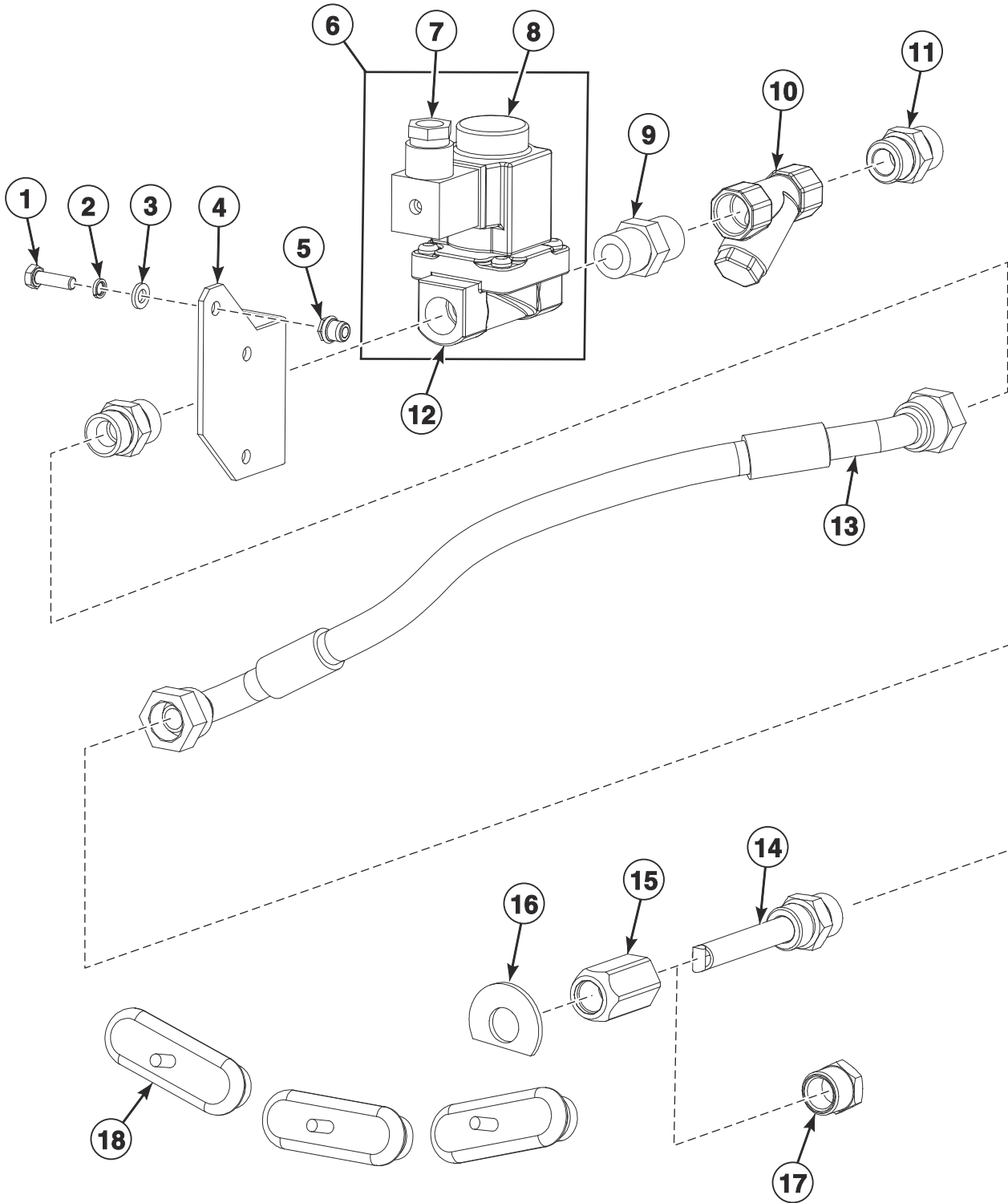
CZW336P_D2410

Rear Panel - 400/440V-480V (Drawing 2 of 2)

REF	PART NO.	DESCRIPTION	COMMENTS
1	SP309084000416	Bolt	M4x16
2	SP311127000004	Washer	4
3	SP311125000004	Washer	4.3
4	SP528392	Cable Clamp	
5	SP309933000660	Bolt	M6x60
6	SP311127000006	Washer	6
7	SP311902100006	Washer	6
8	SP529206	Screw	4x11
9	SP529068	Edge Protection	0.014m
10	SP311679800004	Washer	M4
11	SP528313	Cable Holder	
12	SP555504	Bolt	M4x12
13	SP311125240006	Washer	6
14	SP3116798240006	Washer	6
15	SP309933000620	Bolt	M6x20
16	SP309933100625	Bolt	M6x25
17	SP502214	Clip	
18	SP311679800004	Washer	M\$
19	SP345000165034	Cable Eye	
20	SP311125100006	Washer	6
21	SP310934100006	Nut	M6
22	570381	Hex Pillar	M3
23	SPPRI505000058	Profiled Sealing	0.105m
24	SP526497	Screw	4x12
25	SP505430	Washer	5
26	SP309084000535	Bolt	M5x35
27	SPPRI505000058	Profiled Sealing	0.025m
28	SP309933240412	Bolt	M4x12

Steam Heating (Drawing 1 of 2)

All Models Except Models with V in 7th Position and
Models with G, H, J or K in 13th Position



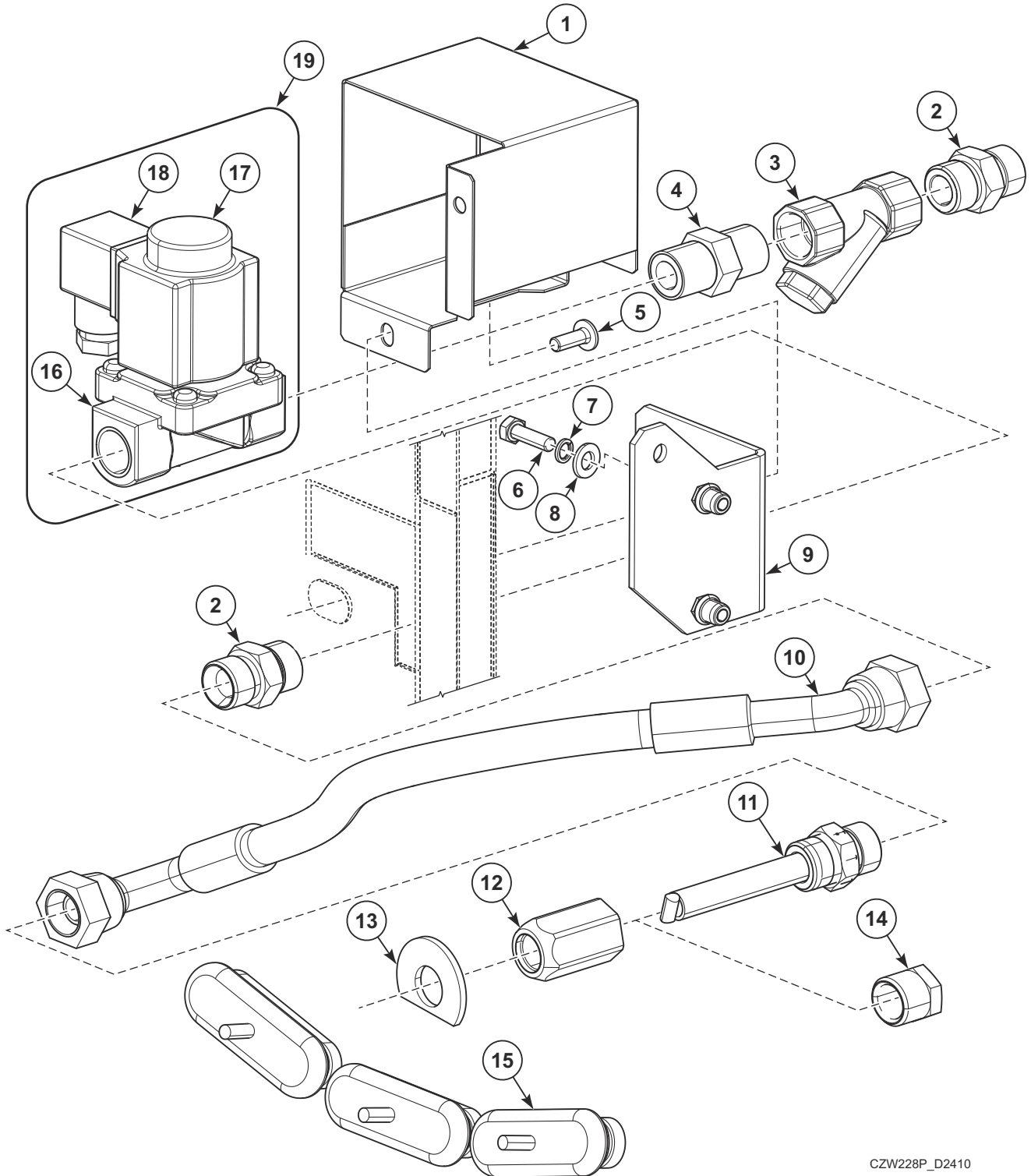
CFD2852P_D2410

Steam Heating (Drawing 1 of 2)

REF	PART NO.	DESCRIPTION	COMMENTS
	SP526564	Seal	
	SP101403	Adhesive	Loctite 5366
	SP245704000603	Adhesive	Loctite 603
	SP559314	Steam Kit	
1	SP309933000620	Bolt	M6x20
2	SP311127000006	Washer	6
3	SP311125000006	Washer	6.4
4	SP526531	Steam Valve Support	
5	SP313251000006	Nut	M6
6	SP514164	Steam Valve	1/2 inch
7	SP554156	Connector	
8	SP554110	Coil	50/60Hz
9	SP319428324012	Adapter	1/2 inch
10	SP405054120215	Steam Filter	1/2 inch
11	SPR22112000114	Pipe Nipple	1/2 inch
12	SP514165	Steam Valve Body	
13	SP526528	Steam Hose	1/2 inch, l=520mm
14	SP526525	Steam Injector	
15	SP547968	Adapter	G3/8 inch / G1/2 inch
16	SP547981	Washer	
17	SPPRI426001268	Plug	1/2 inch; Prep for electric and steam heat
18	SPPRI342001016	Heating Element Hole Plug	

Steam Heating (Drawing 2 of 2)

Models with V in 7th Position and
Models with G, H, J or K in 13th Position



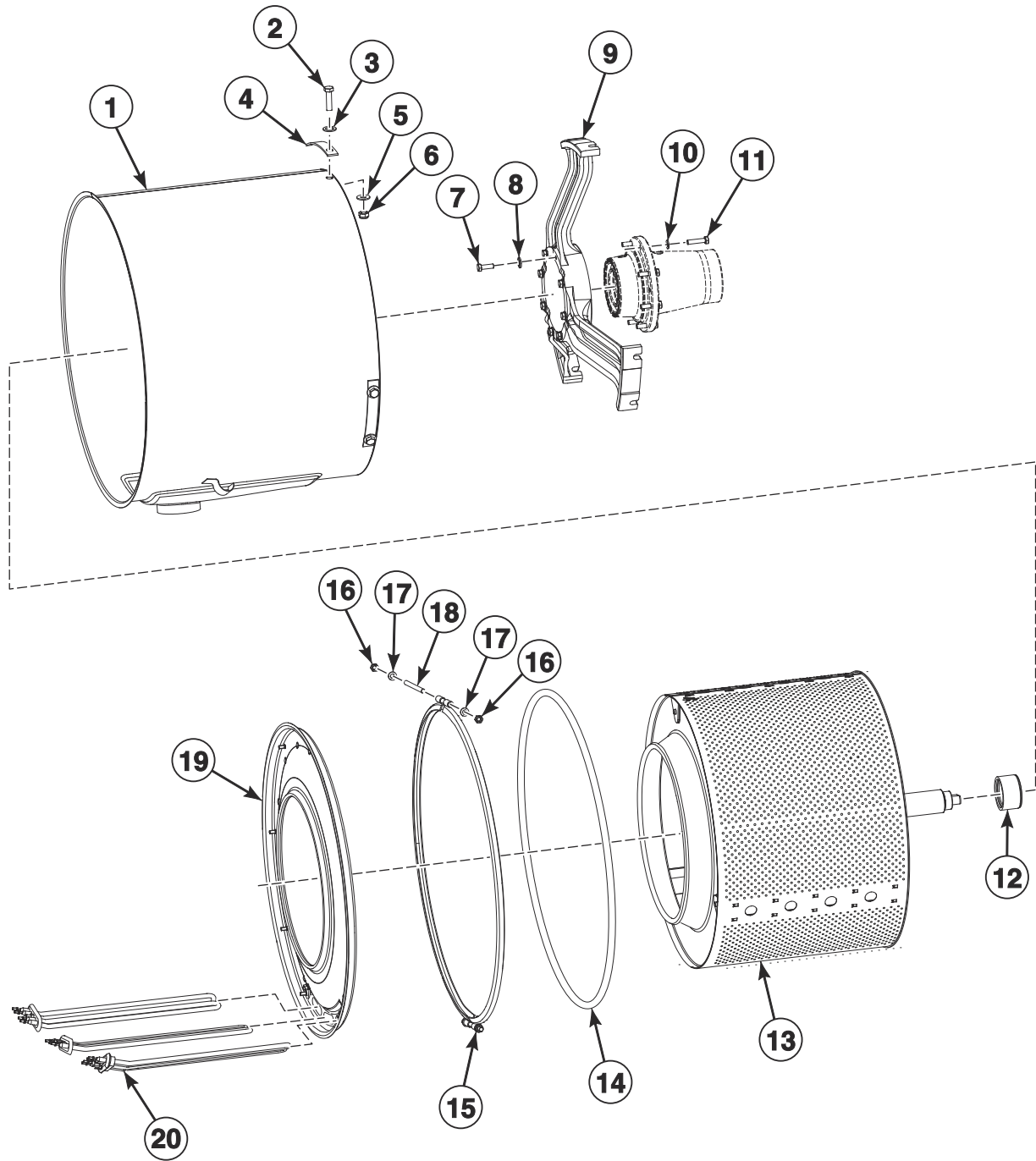
CZW228P_D2410

Steam Heating (Drawing 2 of 2)

REF	PART NO.	DESCRIPTION	COMMENTS
	555354	Steam Kit	
	SP101403	Adhesive	Loctite 5366
	SP245704000603	Adhesive	Loctite 603
1	570436	Steam Valve Cover	
2	SPR22112000114	Pipe Nipple	1/2 inch
3	SP405054120215	Steam Filter	1/2 inch
4	SP319428324012	Adapter	1/2 inch
5	SP555658	Bolt	M6x16
6	SP309933000620	Bolt	M6x20
7	SP311127000006	Washer	6
8	SP311125000006	Washer	6
9	SP526531	Steam Valve Support	
10	SP526528	Steam Hose	1/2 inch, l=520mm
11	SP526525	Steam Injector	
12	SP547968	Adapter	G3/8 inch / G1/2 inch
13	SP547981	Washer	
14	SPPRI426001268	Plug	1/2 inch; Prep for electric and steam heat
15	SPPRI342001016	Heating Element Hole Plug	
16	SP514165	Steam Valve Body	
17	SP554110	Coil	50/60Hz
18	SP554156	Connector	
19	SP514164	Steam Valve	1/2 inch

Washing Drum and Tub (Drawing 1 of 3)

All Models Except Models with V in 7th Position



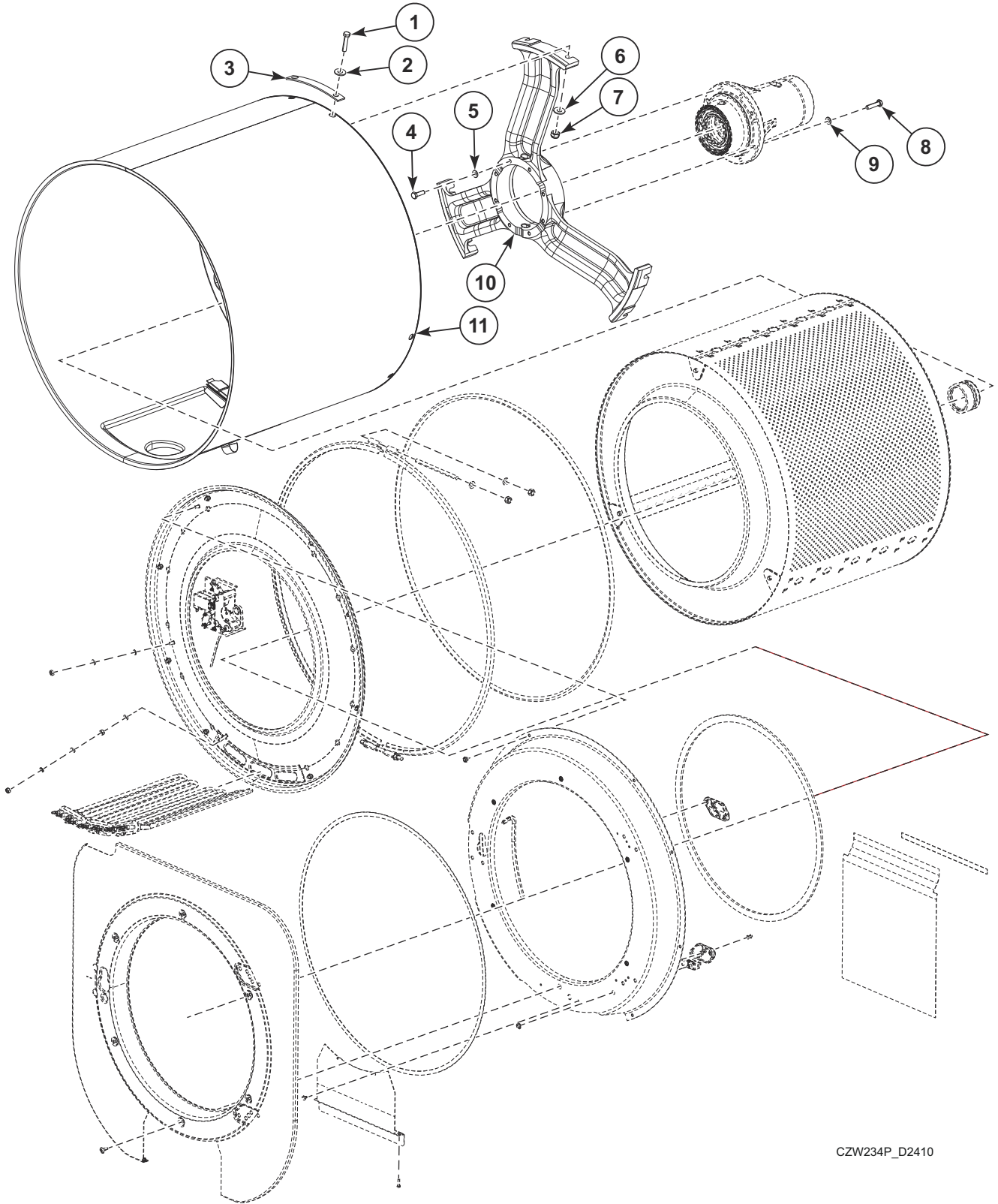
CFD2742P_D2410

Washing Drum and Tub (Drawing 1 of 3)

REF	PART NO.	DESCRIPTION	COMMENTS
	SP245704003021	Adhesive	Loctite 243; Used with bolt
	SPPRI704000053	Sealant	
	SP245704000050	Adhesive	
	SP510889	Anticorrosive Agent	
1	SP537764	External Tub	Steam heating
	SP537918	External Tub	Electric heating
	567197	External Tub	FX, IY, PY, SY and UY models; With wet cleaning and built-in recirculation pump; Electric heating; CE
	567158	External Tub	FX, IY, PY, SY and UY models; With wet cleaning and built-in recirculation pump; Steam heating; CE
2	SP527420	Bolt	M10x40
3	SP311737000010	Washer	M10
4	SP537885	Washer	
5	SP311737000010	Washer	M10
6	SP310985000010	Nut	M10
7	SP309933240825	Bolt	M8x25
8	SP311125240008	Washer	M8
9	SP537730	Cross Piece	
10	SP311125000008	Washer	M8
11	SP309933000835	Bolt	M8x35
12	SP537843	Shaft Ring	
13	563266	Washing Drum	AF, IY and NY models with "G", "H", "J" or "K" in 13th Position; Includes item 12; Flat
	563246	Washing Drum	Normal spin; 7mm perforation; Includes item 12
	SP537766	Washing Drum	Includes item 12; Cascade
14	SP537739	Seal	d10-2100mm
15	SP537737	Clamp	
16	SP310934240008	Nut	M8
17	SP311125240008	Washer	M8
18	SPF02119000415	Bolt	M8
19	SP537742	External Tub Front Plate	
20	SP540144	Heating Element	3000W, l=325mm
	SP540145	Heating Element	2x1500kW, l=325mm
	SP540146	Heating Element	2x2000W, l=335mm

Washing Drum and Tub (Drawing 2 of 3)

Models with V in 7th Position



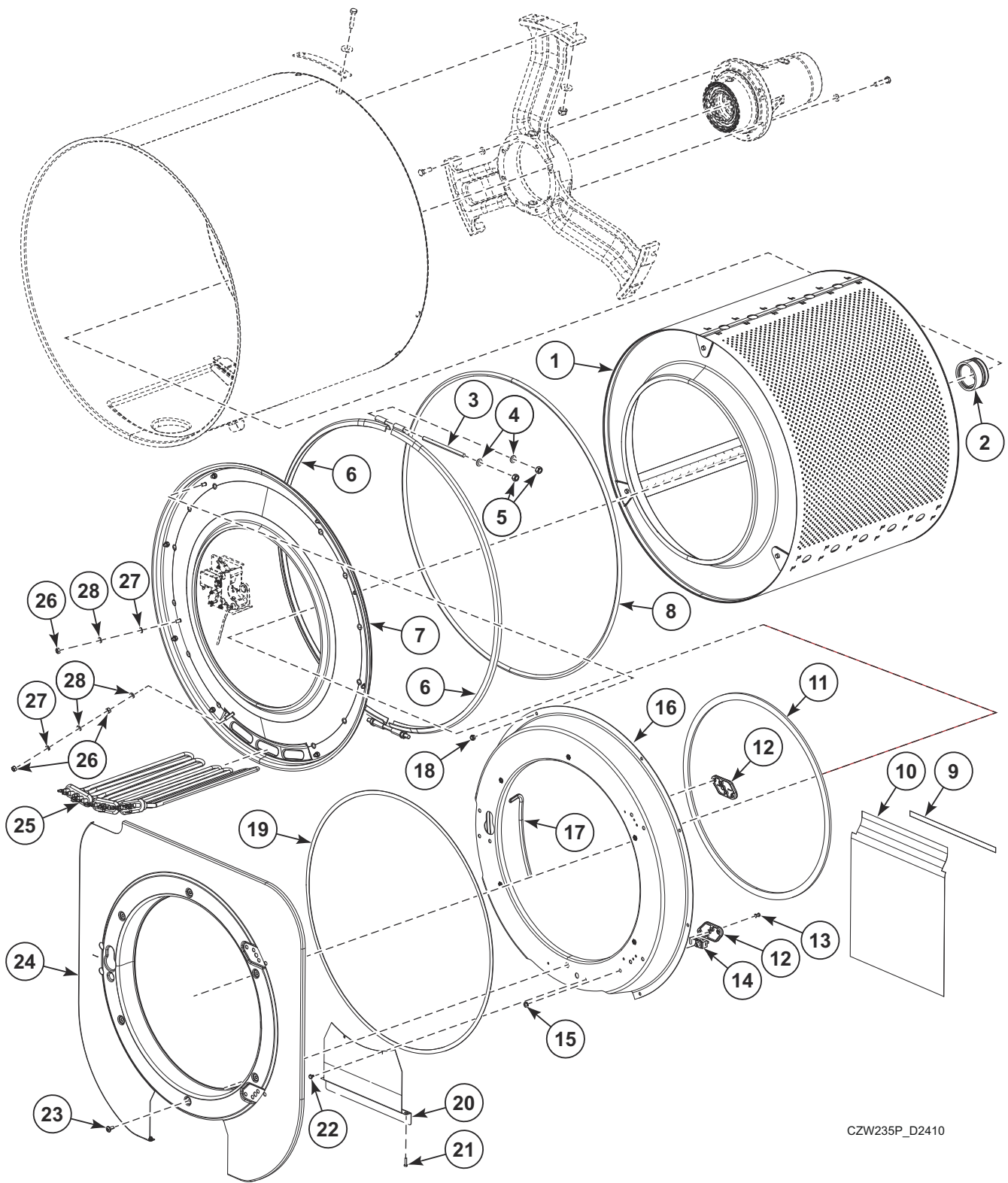
CZW234P_D2410

Washing Drum and Tub (Drawing 2 of 3)

REF	PART NO.	DESCRIPTION	COMMENTS
1	SP527420	Bolt	M10x40
2	SP311125000010	Washer	M10
3	SP537885	Washer	
4	SP309933240825	Bolt	M8x25
5	SP311125240008	Washer	8
6	SP311737000010	Washer	M10
7	SP310985000010	Nut	M10
8	SP309933000835	Bolt	M8x35
9	SP311125000008	Washer	8
10	SP537730	Cross Piece	
11	SP537764	External Tub	Steam heating
	SP537918	External Tub	Electric heating
	567197	External Tub	With wet cleaning and built-in recirculation pump; Electric heating; CE
	567158	External Tub	With wet cleaning and built-in recirculation pump; Electric heating; CE

Washing Drum and Tub (Drawing 3 of 3)

Models with V in 7th Position

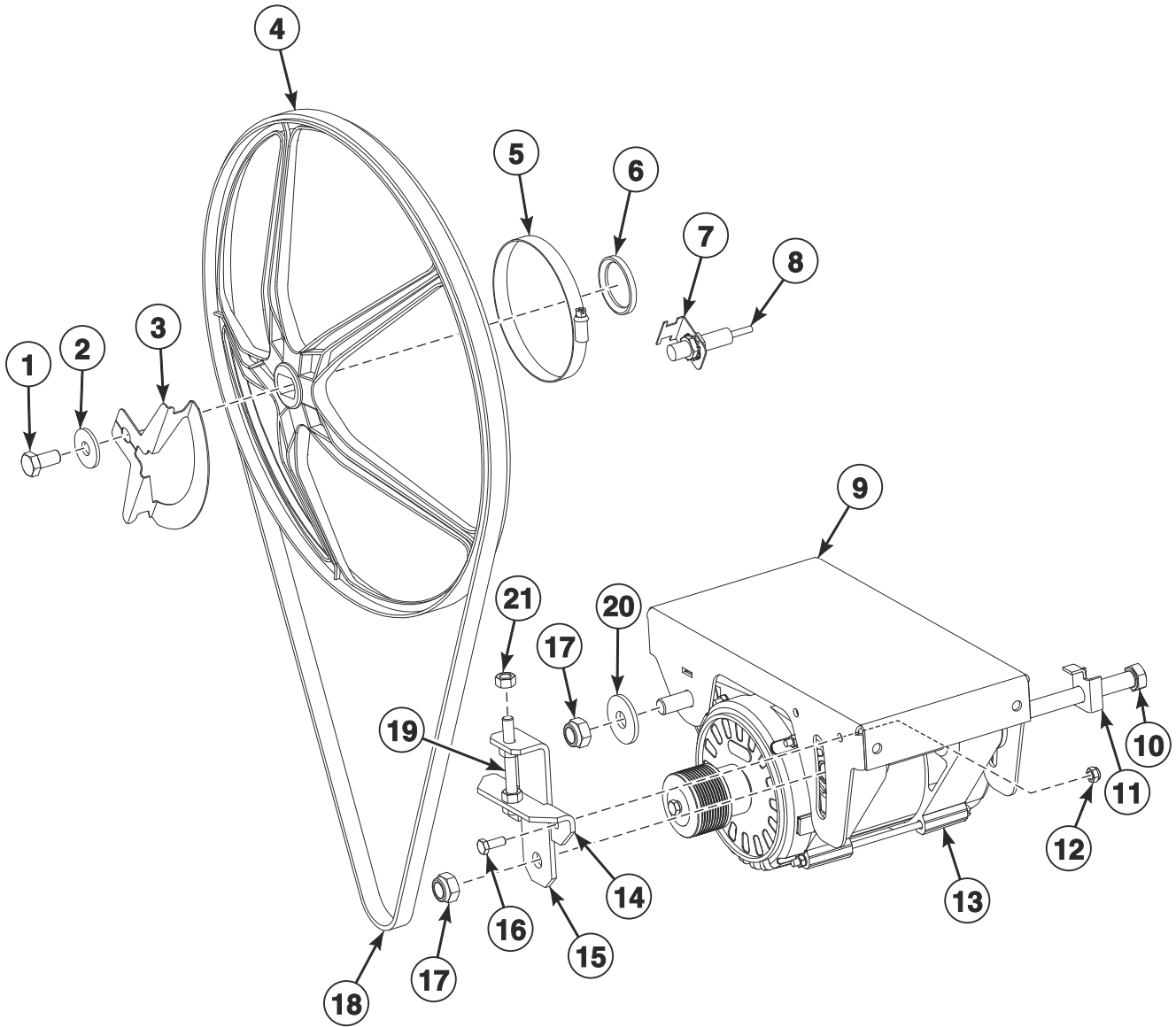


CZW235P_D2410

Washing Drum and Tub (Drawing 3 of 3)

REF	PART NO.	DESCRIPTION	COMMENTS
1	SP537766	Washing Drum	Includes item 2; Cascade
	SP563266	Washing Drum	Includes item 2; Flat
	563246	Washing Drum	7mm perforation; Normal spin; Includes item 2
2	SP537843	Shaft Ring	
3	SPF02119000415	Bolt	M8
4	SP311125240008	Washer	M8
5	SP310934240008	Nut	M8
6	SP537737	Clamp	
7	SP571607	External Tub Front Plate	
8	SP537739	Seal	d10-2100mm
9	SP537896	Adhesive	
10	568938	Heating Element Cover	
11	SP522450	Profile	l=1.45m
12	SP537849	Hinge Spacer	
13	SP547779	Rivet	4x16.7
14	571634	Microswitch	
15	571635	Nut	M10
16	568906	Door Lock Holder	
17	SPPRI505000058	Profiled Sealing	
18	SP310985000006	Nut	M8
19	SP284000012003	Tape	
20	568986	Heating Element Front Cover	Stainless
	SP563274	Heating Element Front Cover	Black
21	SP309084000416	Bolt	M4x16
22	SP537856	Connector	
23	SP537854	Bolt	M6x14
24	571725	Front Panel	Stainless
	571722	Front Panel	Black
25	SP540144	Heating Element	3000W, l=325mm
	SP540143	Heating Element	2000W, l=325mm
	SP540145	Heating Element	2x1500W, l=325mm
	SP540142	Heating Element	
	SP540146	Heating Element	2x2000W, l=335mm
26	SP310934240006	Nut	M6
27	SP311679800006	Washer	6
28	SP311125240006	Washer	6

Drive

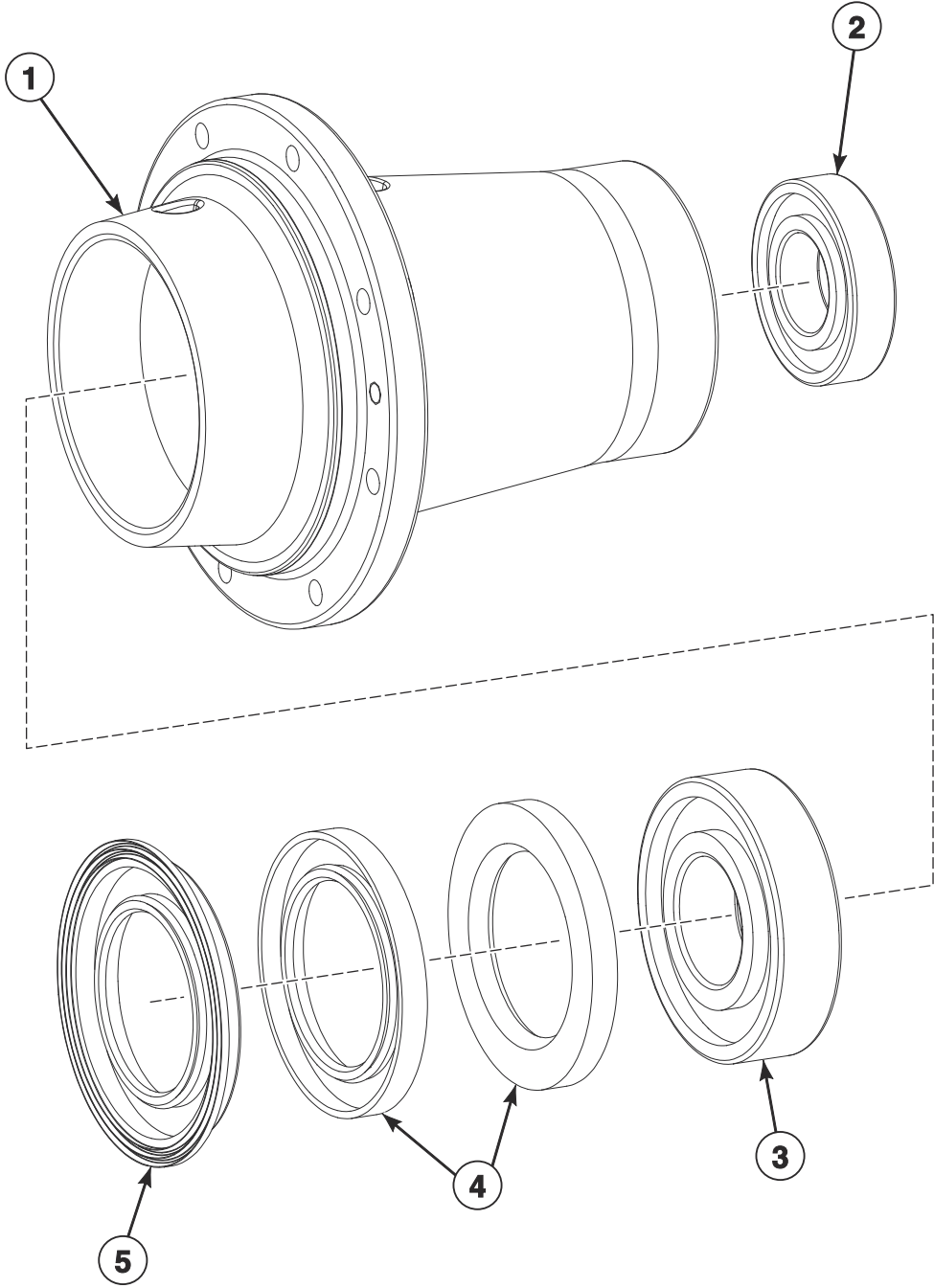


CFD2853P_D2410

Drive

REF	PART NO.	DESCRIPTION	COMMENTS
1	SP309933001020	Bolt	M10x20
2	SP311902100010	Washer	
3	SP555545	Speed Sensor Plate	
4	SP509819	Drum V-Pulley	
5	SPPRI240000015	Hose Clamp	
6	SP556149	Pulley Ring	
7	SP555547	Speed Sensor Holder	
8	SP557701	Speed Sensor	
9	SP533781	Motor Holder	
10	SP533394	Bolt	M12x220
11	SP533742	Cage	1
12	SP310985000006	Nut	M6
13	SP555582	Motor and Pulley	1.5kW, 230V/75Hz; CE; Includes 528423 Motor; Applicable for power supply 200V-240V, 50/60Hz, 1/3ph and 380-415V+N, 50/60Hz, 3ph
	SP555585	Motor and Pulley	1.5kW, 400V/76Hz; CE; Includes 552413 Motor; Applicable for power supply 400V, 50/60Hz, 3ph without Neutral and 440-480V, 50/60Hz, 3ph
	SP557451	Motor and Pulley	1.5kW, 230V/75Hz; CSA; Includes 528423 Motor; Applicable for power supply 200V-240V, 50/60Hz, 1/3ph and 380-415V+N, 50/60Hz, 3ph
	SP557454	Motor and Pulley	1.5kW, 400V/76Hz; CSA; Includes 552413 Motor; Applicable for power supply 400V, 50/60Hz, 3ph without Neutral and 440-480V, 50/60Hz, 3ph
	571447	Motor and Pulley	Models with V in 7th position; 1.5kW, 230V/75Hz; Includes 568373 Motor; Applicable for power supply 200V-240V, 50/60Hz, 1/3ph and 380-415V+N, 50/60Hz, 3ph
	571448	Motor and Pulley	Models with V in 7th position; 1.5kW, 400V/76Hz; Includes 568383 Motor; Applicable for power supply 400V, 50/60Hz, 3ph without Neutral and 440-480V, 50/60Hz, 3ph
14	SP533326	Tensioning Angle Piece	Fixed
15	SP533327	Tensioning Angle Piece	Movable
16	SP309933000616	Bolt	M6x16
17	SP310985000012	Nut	M12
18	SP533157	Belt	
19	SP309933000870	Bolt	M8x70
20	SP311902100012	Washer	12
21	SP310934000008	Nut	M8

Bearing Housing

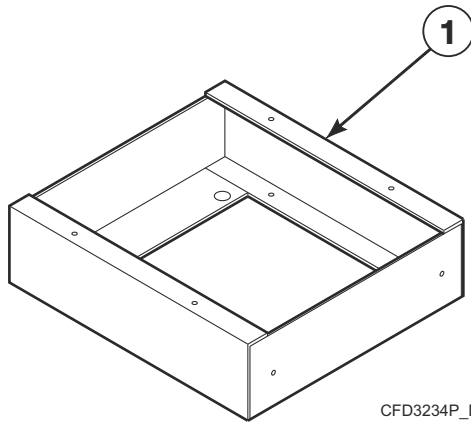


CFD2747P_D2410

Bearing Housing

REF	PART NO.	DESCRIPTION	COMMENTS
	SP245704000603	Adhesive	Loctite 603
	SP111313000002	Lubrication Grease	
	SP537756	Bearing Housing	
	SP538787	Bearing Replacement Tool Kit	
1	SP537754	Bearing Housing	
2	SP532949	Bearing	6308
3	SPPRI608000048	Bearing	6309
4	SP525813	Sealing Ring	65x100x10; Includes 1 seal; 2 seals required
5	SP537848	Sealing Ring	65x100/114x9/12

Elevated Base Frame



CFD3234P_D2410

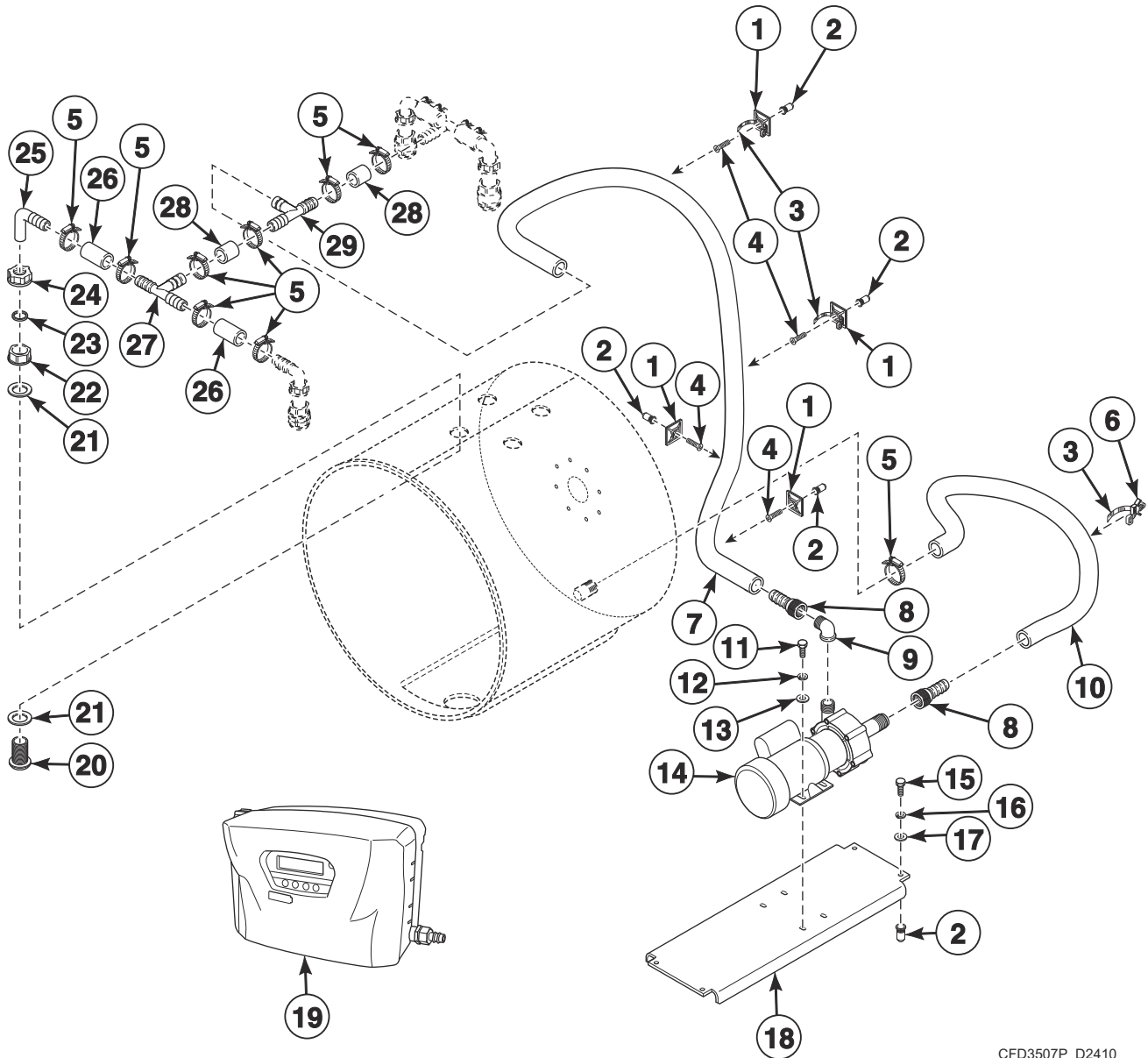
Elevated Base Frame

REF	PART NO.	DESCRIPTION	COMMENTS
1	551916	Elevated Base Frame	For mounting one machine; 135mm; Refer to NOTE*
	551917	Elevated Base Frame	For mounting two machines; 135mm; Refer to NOTE*
	551918	Elevated Base Frame	For mounting three machines; 135mm; Refer to NOTE*
	551919	Elevated Base Frame	For mounting four machines; 135mm; Refer to NOTE*
	551920	Elevated Base Frame	For mounting five machines; 135mm; Refer to NOTE*
	SP547734	Elevated Base Frame	For mounting one machine; 200mm; Refer to NOTE*
	SP547732	Elevated Base Frame	For mounting two machines; 200mm; Refer to NOTE*
	SP547729	Elevated Base Frame	For mounting three machines; 200mm; Refer to NOTE*
	SP547736	Elevated Base Frame	For mounting four machines; 200mm; Refer to NOTE*
	SP547737	Elevated Base Frame	For mounting five machines; 200mm; Refer to NOTE*

* NOTE: Part can only be ordered through the Equipment Order Desk.

Soft Wash With Built-In Recirculation Pump - FX, IY, PY, SY and UY Models; CE

All Models Except Models with V in 7th Position



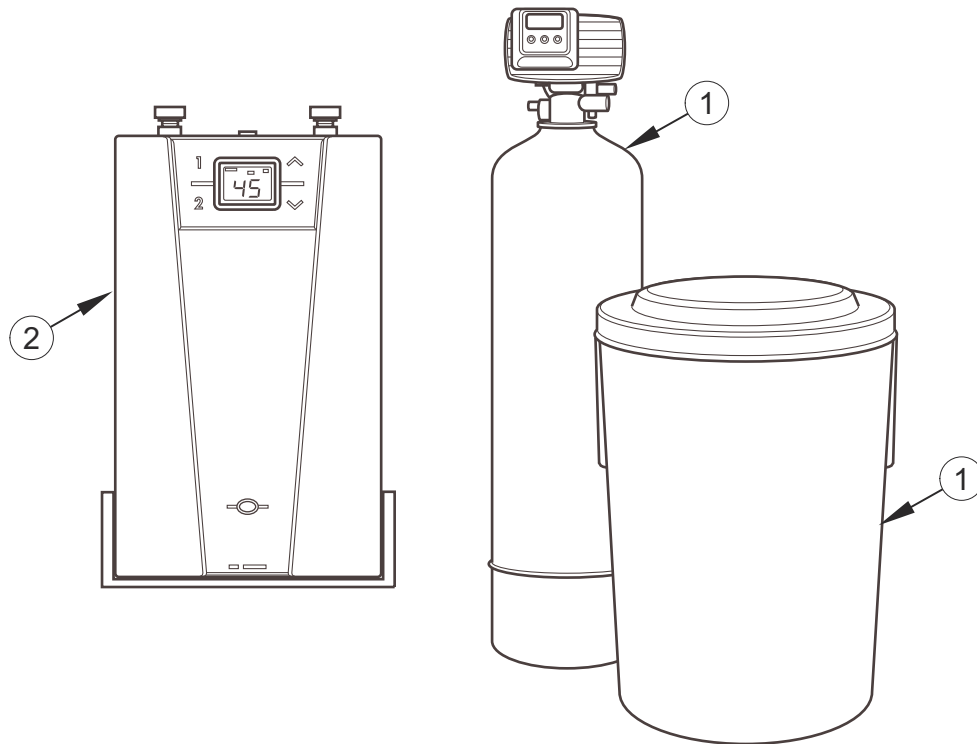
CFD3507P_D2410

Soft Wash With Built-In Recirculation Pump - FX, IY, PY, SY and UY Models; CE

REF	PART NO.	DESCRIPTION	COMMENTS
	SP562749	Water Heater	6kW, 50/60Hz, 230V; Optional
	SP562736	Water Heater	8.8kW, 50/60Hz, 230V; Optional
	SP562737	Water Softener	AMVE 305; Optional
	SP562750	Water Softener	AMVE 505; Optional
1	SPPRI350003050	Adhesive Fixing Index Plate	
2	SP313251002104	Nut	M4
3	SP503817	Binding Strip	178 x 4.8
4	SP309965240408	Bolt	M4x8
5	SPPRI240000003	Hose Clamp	20-30
6	SP528313	Cable Holder	
7	567180	Hose Pharmasteel	25/33; 1.6m
8	567152	Thorn	25-IG10; With sleeve nut
9	567181	Elbow	Inner/External thread G1 inch; 90 inch
10	567180	Hose Pharmasteel	25/33; 0.75m
11	SP309933000620	Bolt	M6x20
12	SP311127000006	Washer	6
13	SP311902100006	Washer	6
14	567151	Pump	NH 125 PS
15	SP309933000416	Bolt	M4x16
16	SP311127000004	Washer	4
17	SP311902100004	Washer	4
18	567113	Pump Board	Complete
19	SP567105	Soap Pump Kit	Four pumps; Includes suction hoses and tubes
	SP567106	Soap Pump Kit	Six pumps; Includes suction hoses and tubes
20	567167	Drain Jet	3/4 inch
21	567168	O-Ring	Flat; 40x27x2.5
22	567166	Nut	Flat; 3/4 inch; Sleeve
23	567169	O-Ring	Flat; 17x24x2.5
24	567170	Nut	3/4 inch; Sleeve
25	567171	Hose End	90 inch
26	SPPRI540001019	Hose	19/27; 0.06m
27	567172	T-Part	20; PE coupling
28	SPPRI540001019	Hose	19/27; 0.05m
29	567173	Hose Coupling	T3/4 x 1 inch

Soft Wash - Without Built-In Recirculation Pump

All Models Except Models with V in 7th Position

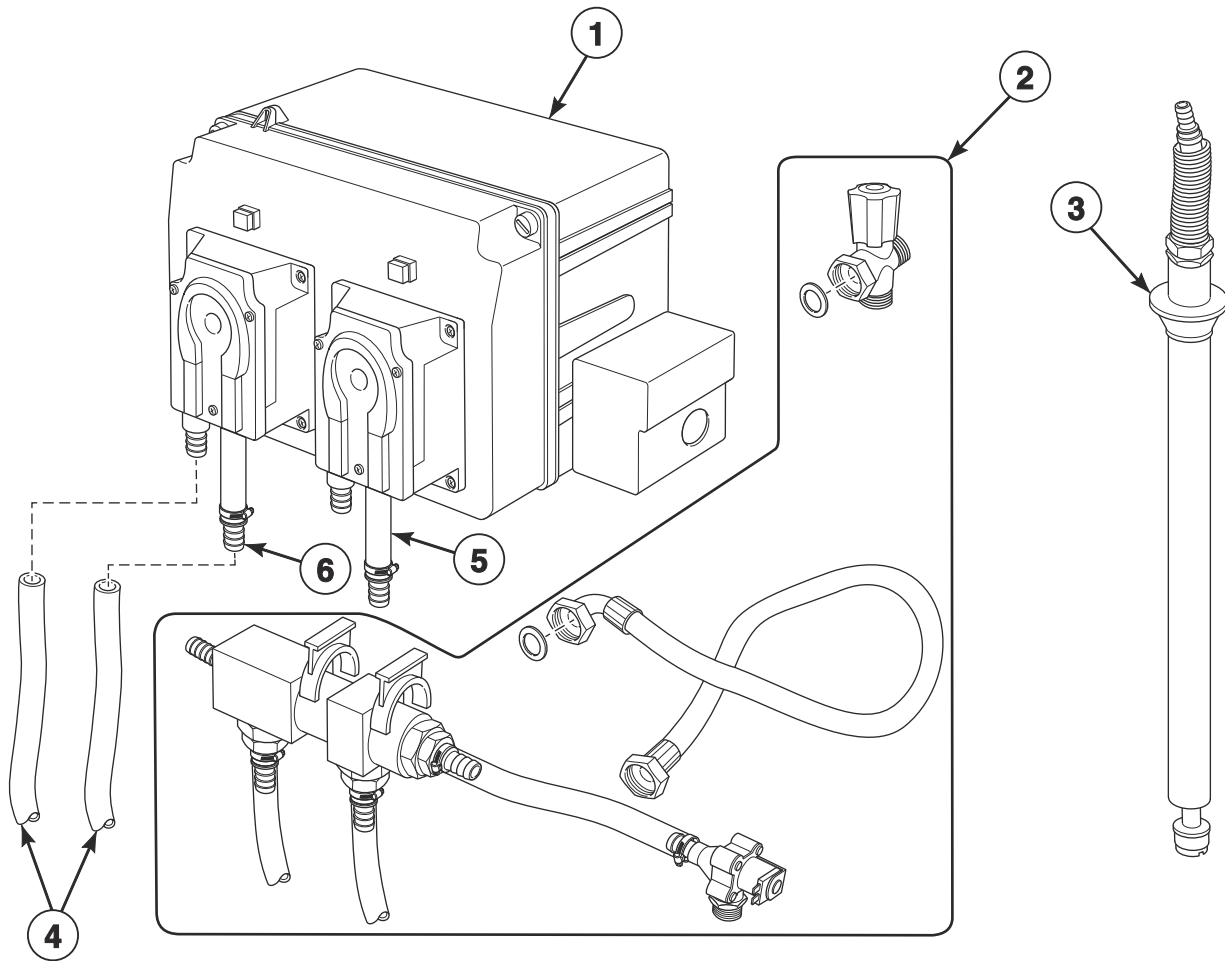


C-CZW57P_D2410

Soft Wash - Without Built-In Recirculation Pump

REF	PART NO.	DESCRIPTION	COMMENTS
1	SP562737	Water Softener	AMVE 305; Optional; CE and Watermark; Optional
	SP562750	Water Softener	AMVE 505; Optional; CE and Watermark; Optional
2	SP562749	Water Heater	6kW; 50/60Hz; 230V; Optional; CE and Watermark
	SP562736	Water Heater	8.8kW; 50/60Hz; 230V; Optional; CE and Watermark

Liquid Soap Supply System - Pumps

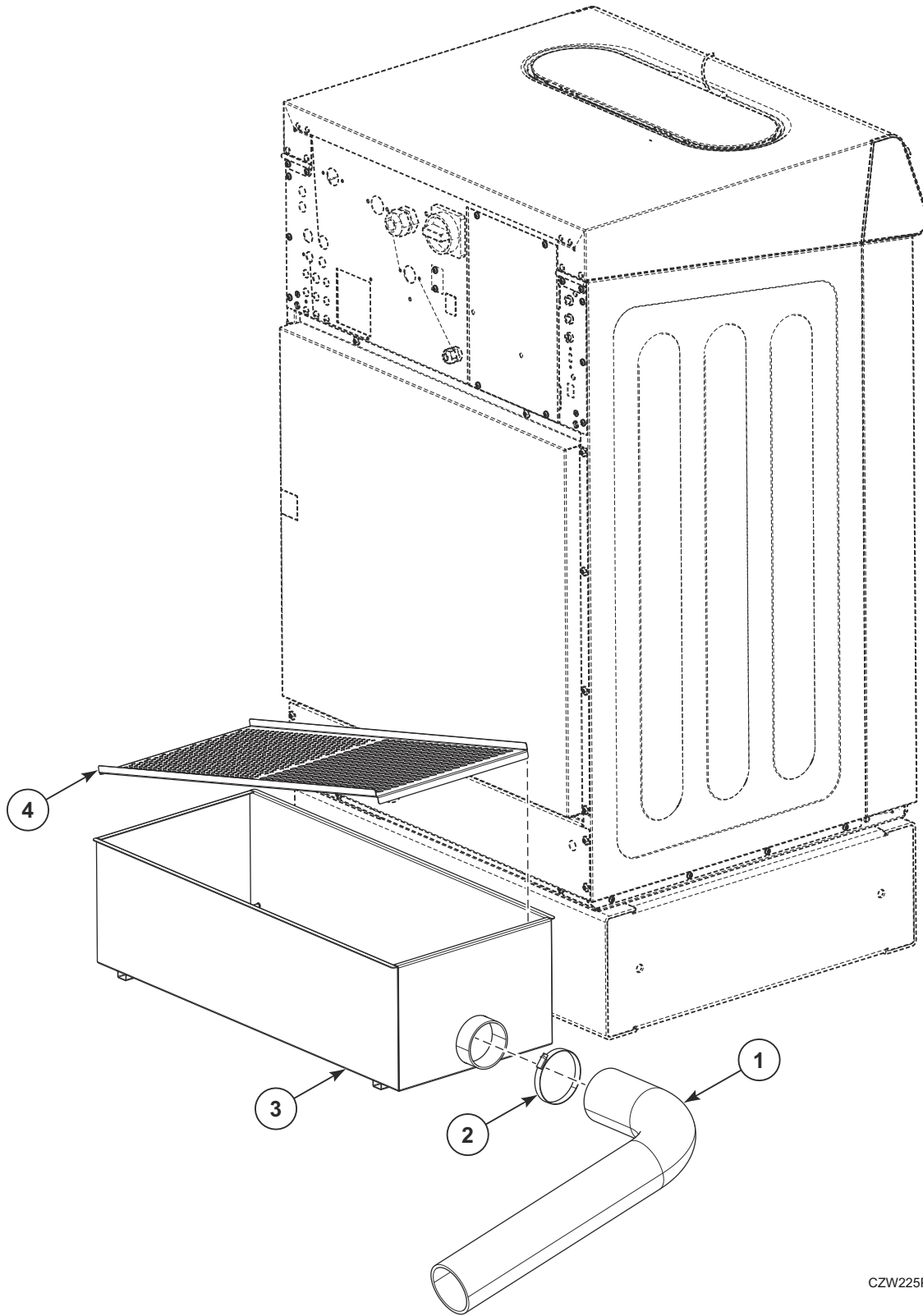


CZW45P_D2410

Liquid Soap Supply System - Pumps

REF	PART NO.	DESCRIPTION	COMMENTS
	MB90-Z40	Supply Pump Kit	For two pumps
	MB90-Z41	Supply Pump Kit	For three pumps
	MB90-Z42	Supply Pump Kit	For four pumps
	MB90-Z43	Supply Pump Kit	For five pumps
	MB90-Z44	Supply Pump Kit	For six pumps
1	529742	Pump	Two
	529743	Pump	Three
	529744	Pump	Four
	529745	Pump	Five
	529746	Pump	Six
2	529789	Manifold Flush Kit	For two pumps
	529797	Manifold Flush Kit	For three pumps
	529798	Manifold Flush Kit	For four pumps
	529799	Manifold Flush Kit	For five pumps
	529800	Manifold Flush Kit	For six pumps
3	529787	Suction Tube	
4	SPPRI540020005	Hose	d10/14
5	529747	Hose	Spare hose for pump
6	547808	Connection	

Filter Tank



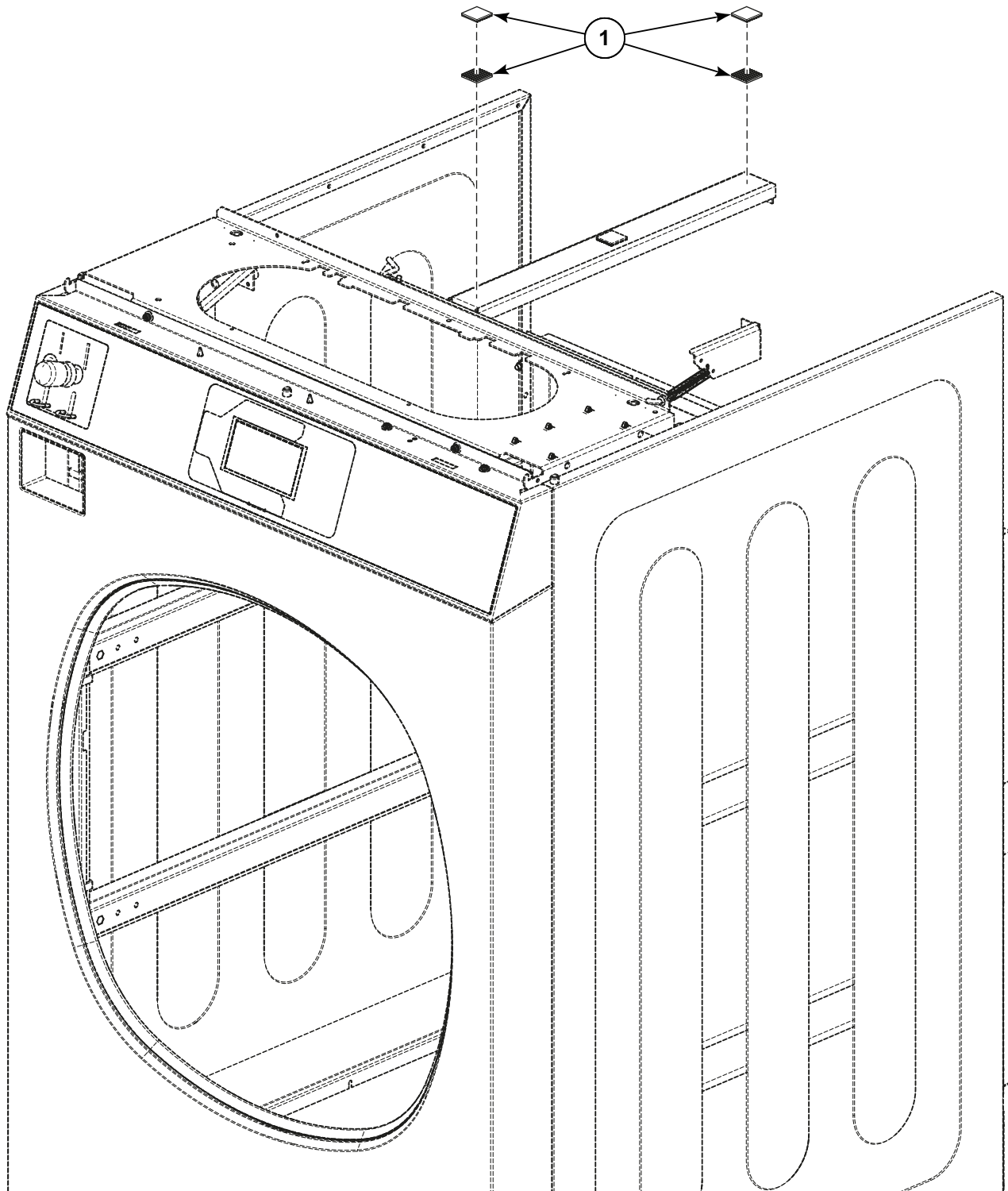
CZW225P_D2410

Filter Tank

REF	PART NO.	DESCRIPTION	COMMENTS
	570846	Filter Tank	Used with elevated base frame 200mm tall
1	SP519463	Drain Elbow	
2	SPPRI240000007	Hose Clamp	
3	570840	Collector Weldment	
4	570835	Filter	

Cabinet Reinforcement without Soap Hopper

All Models Except Models with V in 7th Position



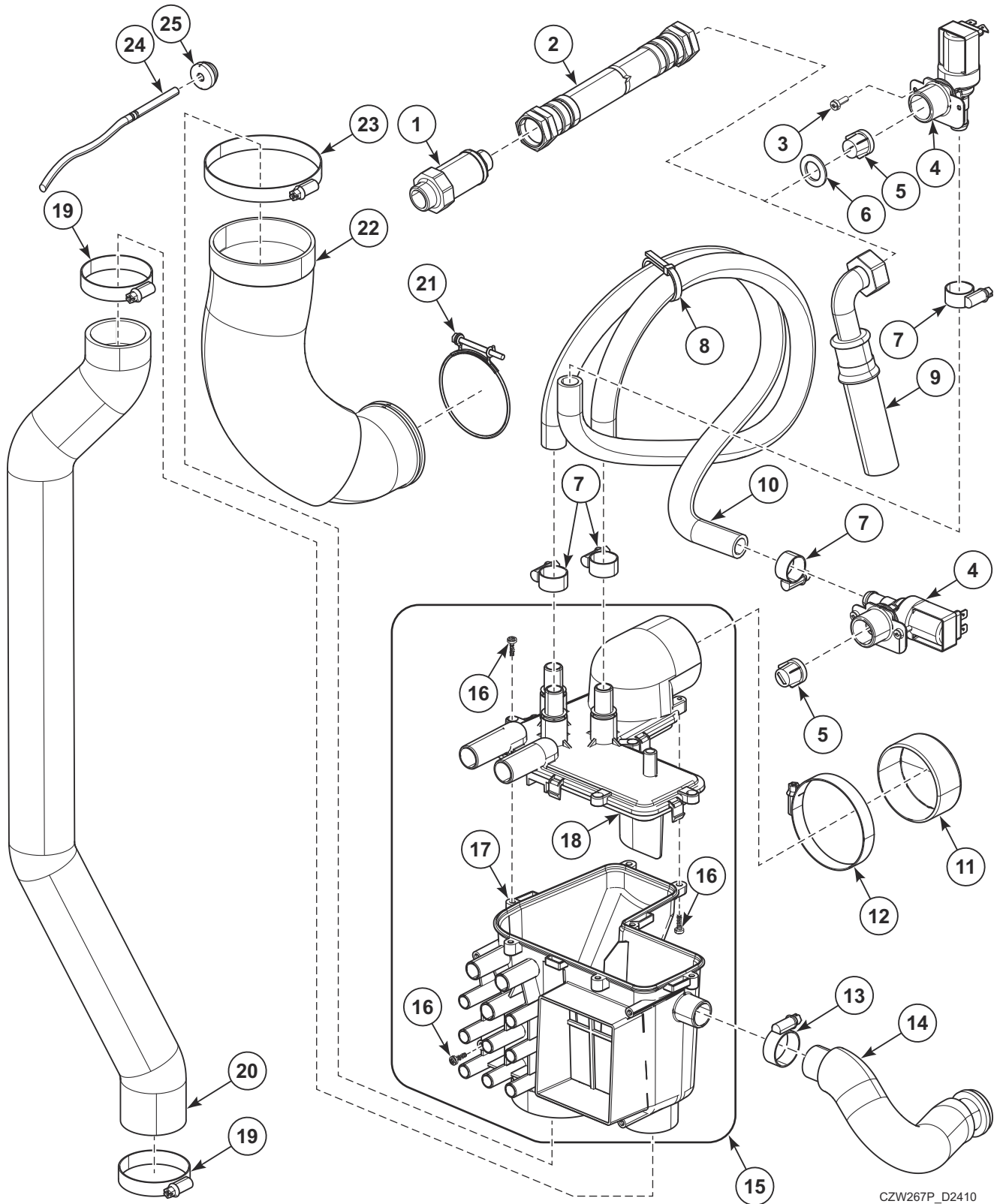
CZW348P_D2410

Cabinet Reinforcement without Soap Hopper

REF	PART NO.	DESCRIPTION	COMMENTS
1	SP550115	Fastener	

Two Water Inlet System without Soap Hopper

All Models Except Models with V in 7th Position



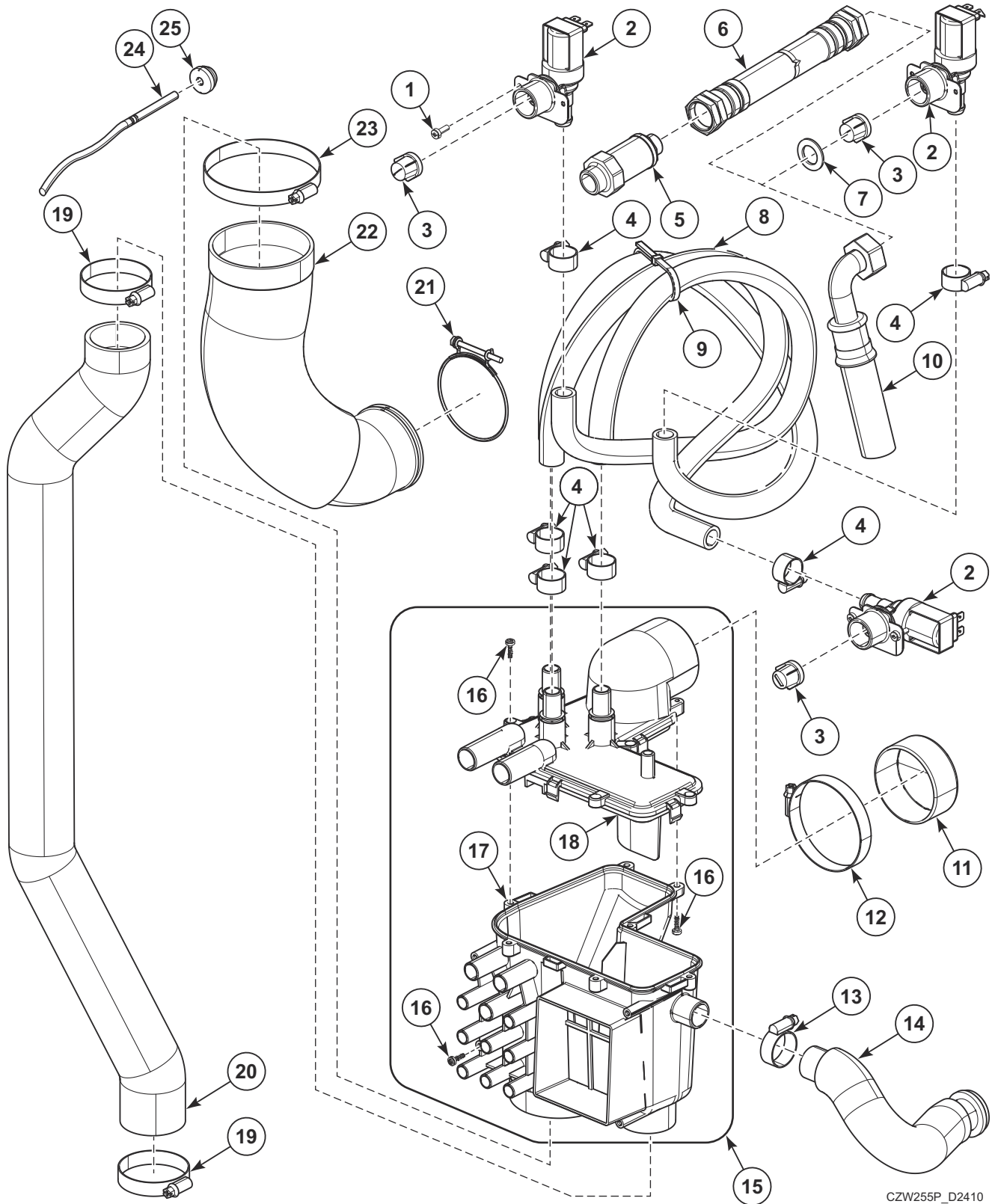
CZW267P_D2410

Two Water Inlet System without Soap Hopper

REF	PART NO.	DESCRIPTION	COMMENTS
1	RSPB12543901	Double Reverse Valve	IYY, LYY, NYY, PYY, SY Y and UYY models
2	RSPF200166	Filling Hose Pipe	IYY, LYY, NYY, PYY, SY Y and UYY models
3	SP555504	Bolt	M4x12
4	570195	1-Way Valve	3/4 inch
5	SPPRI340004030	Filter	
6	SPPRI520001009	Seal	
7	SPPRI240000002	Hose Clamp	
8	SP503817	Binding Strip	
9	SPPRI505000054	Filling Hose Pipe	Used with cold water
	SP547980	Filling Hose Pipe	Used with hot water
	SP101621	Filling Hose Pipe	Valid for water approval
10	SPPRI540000014	Hose	
11	567053	Plug	
12	SPPRI240000021	Hose Clamp	60-80
13	SPPRI240000003	Hose Clamp	20-32
14	SP526482	Vent Hose	
15	SP526558	Mixer	
16	SP526497	Screw	4x12
17	SP526565	Mixer Body	
18	SP526557	Mixer Lid	
19	SPPRI240000017	Hose Clamp	40-60
20	SP526480	Overflow Tube	
21	SP526491	Hose Clamp	62-70
22	SP526506	Filling Elbow Pipe	
23	SPPRI240000007	Hose Clamp	70-90
24	SP503839	Temperature Sensor	
25	SP526439	Temperature Sensor Seal	

Three Water Inlet System without Soap Hopper

All Models Except Models with V in 7th Position



CZW255P_D2410

Three Water Inlet System without Soap Hopper

REF	PART NO.	DESCRIPTION	COMMENTS
1	SP555504	Bolt	M4x12
2	570195	1-Way Valve	3/4 inch
3	SPPRI340004030	Filter	
4	SPPRI240000002	Hose Clamp	
5	RSPB12543901	Double Reverse Valve	IYY, LYY, NYY, PYY, SY Y and UYY models
6	RSPF200166	Filling Hose Pipe	IYY, LYY, NYY, PYY, SY Y and UYY models
7	SPPRI520001009	Seal	
8	SPPRI540000014	Hose	
9	SP503817	Binding Strip	
10	SPPRI505000054	Filling Hose Pipe	Used with cold water
	SP547980	Filling Hose Pipe	Used with hot water
	SP101621	Filling Hose Pipe	Valid for water approval
11	567053	Plug	
12	SPPRI240000021	Hose Clamp	60-80
13	SPPRI240000003	Hose Clamp	20-32
14	SP526482	Vent Hose	
15	SP526558	Mixer	
16	SP526497	Screw	4x12
17	SP526565	Mixer Body	
18	SP526557	Mixer Lid	
19	SPPRI240000017	Hose Clamp	40-60
20	SP526480	Overflow Tube	
21	SP526491	Hose Clamp	62-70
22	SP526506	Filling Elbow Pipe	
23	SPPRI240000007	Hose Clamp	70-90
24	503839	Temperature Sensor	
25	SP526439	Temperature Sensor Seal	

Wire Harnesses

PART NO.	DESCRIPTION	COMMENTS
552495	Transformer Connection	CSA
528064	Steam Heat Wiring	CSA; Steam heat
SPPRI351000161	Steam Valve Cable	CE and Watermark; Steam heat
552466	Wireless Reader Wiring	Vended; CSA
SPPRI351107209	Heating Contactor Wiring	CE and Watermark; 2.5mm ² ; l=440mm; For 4.6kW, 6kW, 9kW; CE
SPPRI351108209	Heating Contactor Wiring	CE and Watermark; 4mm ² ; l=440mm; For 9kW; CE
SP547075	RS485 External Interconnection	For RS485 external interconnection to PC
528393	Wiring Steam - Electrical Heating	Steam - electrical heating modification
528328	Heating Wiring	CE and Watermark; 2.5mm ²
SP528335	Heating GND Wiring	CE and Watermark
SP528205	Frame GND Interconnection	
528350	Transformer Connection	400-480V, 3AC -N; CE and Watermark
568392	Main Wiring	
569749	Door Lock Wiring	l=1.7m
569751	Door Lock Cable	l=0.24m
SP528323	Communication Cable	
568397	Motor Temperatuer Protect Cable	
528330	Heating Wiring	6kW / 230V / 400V; 9kW / 440V; 12kW / 400V 440V; 13.8kW / 400V
528331	Heating Wiring	7kW / 440V; 9kW / 230V; 9kW / 440V; 12kW / 230V; 13.8kW / 230V
SP528335	Heating GND Wiring	
528080	Frame GND Interconnection	
552477	Inlet Valve Extension Wiring	
SP528064	Steam Heat Wiring	Steamboat
SP557947	External Block Signal Cable	Length = 110.24 inches (2.8 m)
SP557948	External Block Signal Cable	Length = 169.29 inches (4.3m)
569701	Cable	CPU - I/O board interconnection
SPPRI351105209	Heating Contactor Wiring	6mm ² ; l=540mm; 12kW / 230V

Parts Index

A

Adapter	
SP319428324012	159, 161
SP547968	159, 161
Adhesive	
SP101403	159, 161
SP245704000050	163
SP245704000603	107, 159, 161, 171
SP245704003021	9, 107, 163
SP537896	33, 107, 167
Adhesive Fixing Index Plate	
SPPRI350003050	175
Adjustable Foot	
SPPRI504000001	11
Air Trap Reduction	
SPPRI503000027	125, 127
Anticorrosive Agent	
SP510889	163
Automatic Door Opening Module Wiring	
SP552455	31
Automatic Unlocking Module Assembly	
SP545238	21, 25, 29
SP552489	21, 25, 29, 33

B

Bearing	
SPPRI608000048	171
SP532949	171
Bearing Housing	
SP537754	171
SP537756	171
Bearing Replacement Tool Kit	
SP538787	171
Belt	
SP533157	169
Binding Strip	
SP345000626088	125, 127, 131
SP503817	131, 175, 185, 187
Board Interconnection Cable	
SP537995	61
SP547005	43, 53, 61
Bolt	
F8270701	115
SPF02119000415	163, 167
SP309084000308	61
SP309084000320	61, 85, 87, 89
SP309084000408	23, 25, 29, 41, 85, 87, 89
SP3090840004169, 11, 107, 119, 121, 123, 129, 133, 137,	141, 145, 149, 153, 157, 167
SP309084000535	145, 149, 153, 157
SP309084240325	11
SP309798500306	33, 41, 43, 53, 61, 73, 75, 77
SP309933000416 .. 85, 87, 89, 91, 93, 129, 137, 141, 175	
SP309933000616	21, 25, 169
SP309933000620 .. 131, 137, 141, 145, 149, 153, 157, 159,	161, 175
SP309933000660	145, 149, 153, 157

SP309933000820	9, 11, 125, 127
SP309933000835	163, 165
SP309933000845	9
SP309933000870	169
SP309933000880	9
SP309933001020	169
SP309933100625 .. 129, 133, 137, 141, 145, 149, 153, 157	
SP309933240408	133, 137, 141
SP309933240412	145, 149, 153, 157
SP309933240825	163, 165
SP309963000312	61
SP309965240408	79, 81, 83, 175
SP506013	41
SP506431	29, 41
SP506432	11
SP527084	33
SP527420	11, 163, 165
SP533394	169
SP533717	9
SP533726	11
SP535479	109, 111, 113
SP537854	107, 167
SP537864	109, 111, 113
SP550482	31, 41
SP553524	109
SP555504 .. 33, 43, 53, 61, 79, 81, 83, 145, 149, 153, 157,	185, 187
SP555658	23, 27, 29, 31, 33, 41, 161
SP556137	107
309500240408	79, 81, 83
568968	115
569655	79, 81, 83

Bushing

SP101406	133, 135, 139, 143, 147, 151, 155
SP101409	133, 135, 139, 143, 147, 151, 155

C

Cable	
SP545234	91, 133, 135, 139, 143, 147, 151, 155
557982	131
569701	188
Cable Bushing Insert	
SP557952	133
Cable Clamp	
SP528392	133, 137, 141, 145, 149, 153, 157
Cable Eye	
SP345000165034	137, 141, 145, 149, 153, 157
345000034150	131
Cable Holder	
SP528313 .. 33, 43, 53, 131, 137, 141, 145, 149, 153, 157,	175
Cable Passage	
SP273121005052	21, 25, 29, 41
SP273121015002	129
SP273121022002	129
Cage	
SP533742	169
Casing	
SP529739	109, 111, 113

N/A items do not appear in index.

Check Valve		SP547658.....	47, 67, 103
B12543901.....	119	SP547659.....	47, 67, 103
Circuit Breaker		SP547660.....	47, 67, 103
571463.....	143, 151	SP547661.....	47, 67, 103
571464.....	147, 155	SP547662.....	47, 67, 103
Clamp		SP547663.....	47, 67, 103
SP537737.....	163, 167	SP547664.....	47, 67, 103
Clip		SP547665.....	45, 65, 101
SP502214.....	137, 141, 145, 149, 153, 157	SP547666.....	45, 65, 101
Coil		SP547667.....	47, 67, 103
SP554110.....	159, 161	SP547668.....	47, 67, 103
568942.....	115	SP547669.....	47, 67, 103
Coin Meter		SP547670.....	47, 67, 103
SP537996.....	47, 67, 103	SP547671.....	47, 67, 103
SP547600.....	45, 65, 101	SP547672.....	47, 67, 103
SP547601.....	45, 65, 101	SP547673.....	47, 67, 103
SP547602.....	45, 65, 101	SP547674.....	47, 67, 103
SP547603.....	45, 65, 101	SP547675.....	47, 67, 103
SP547604.....	45, 65, 101	SP555502.....	47, 67, 103
SP547605.....	45, 65, 101	SP555543.....	47, 67, 103
SP547606.....	45, 65, 101	SP555546.....	47, 67, 103
SP547607.....	45, 65, 101	SP555549.....	47, 67, 103
SP547608.....	45, 65, 101	SP555550.....	47, 67, 103
SP547609.....	45, 65, 101	SP555558.....	47, 67, 103
SP547610.....	45, 65, 101	SP555559.....	47, 67, 103
SP547611.....	45, 65, 101	SP555578.....	47, 67, 103
SP547612.....	45, 65, 101	SP555579.....	47, 67, 103
SP547613.....	45, 65, 101	SP555666.....	47, 67, 103
SP547614.....	45, 65, 101	SP558958.....	55
SP547615.....	45, 65, 101	SP558959.....	55
SP547616.....	45, 65, 101	SP559933.....	55
SP547617.....	45, 65, 101	SP559934.....	55
SP547618.....	45, 65, 101	SP559938.....	55
SP547619.....	45, 65, 101	SP559949.....	55
SP547620.....	45, 65, 101	SP559969.....	55
SP547621.....	45, 65, 101	SP560071.....	57
SP547622.....	45, 65, 101	SP560073.....	49, 69
SP547623.....	45, 65, 101	SP560075.....	57
SP547624.....	45, 65, 101	SP560082.....	49, 69, 105
SP547625.....	45, 65, 101	SP560083.....	49, 69, 105
SP547626.....	45, 65, 101	SP560084.....	49, 69, 105
SP547627.....	45, 65, 101	SP560085.....	49, 69, 105
SP547628.....	45, 65, 101	SP560086.....	49, 69, 105
SP547629.....	45, 65, 101	SP560087.....	55
SP547630.....	45, 65, 101	SP560089.....	47, 67, 103
SP547631.....	45, 65, 101	SP560090.....	55
SP547634.....	45, 65, 101	SP560091.....	55
SP547635.....	45, 65, 101	SP560092.....	55
SP547636.....	45, 65, 101	SP560093.....	55
SP547637.....	45, 65, 101	SP560094.....	55
SP547638.....	45, 65, 101	SP560100.....	55
SP547639.....	45, 65, 101	SP560309.....	55
SP547640.....	45, 65, 101	SP560310.....	55
SP547641.....	47, 67, 103	SP560311.....	55
SP547642.....	47, 67, 103	SP560312.....	55
SP547643.....	47, 67, 103	SP560405.....	55
SP547644.....	47, 67, 103	SP560406.....	55
SP547645.....	47, 67, 103	SP560407.....	55
SP547646.....	47, 67, 103	SP560408.....	55
SP547647.....	45, 65, 101	SP560409.....	55
SP547648.....	45, 65, 101	SP560410.....	55
SP547649.....	47, 67, 103	SP560411.....	55
SP547651.....	47, 67, 103	SP560412.....	55
SP547652.....	45, 65, 101	SP560413.....	55
SP547653.....	47, 67, 103	SP560414.....	55
SP547654.....	47, 67, 103	SP560415.....	55
SP547656.....	45, 65, 101	SP560416.....	55
SP547657.....	47, 67, 103	SP560417.....	55
		SP560418.....	55

N/A items do not appear in index.

SP560419	55	569946	57
SP560420	55	569948	47, 67, 103
SP560421	55	569949	57
SP560422	55	569951	47, 67, 103
SP560423	55	569952	57
SP560424	55	569954	49, 69, 105
SP560425	55	569955	57
SP560426	55	569961	49, 69, 105
SP560427	55	569962	57
SP560428	55	569964	47, 67, 103
SP560429	55	569965	55
SP560432	55	569967	49, 69, 105
SP560744	47, 67, 103	569968	57
SP560745	55	569970	49, 69, 105
SP560751	55	569971	57
SP561496	49, 69, 105	569973	49, 69, 105
SP564484	49, 69, 105	569974	57
SP564486	49, 69, 105	569979	49, 69, 105
SP564489	49, 69, 105	569980	57
SP568002	95	569987	49, 69, 105
SP568003	95	569988	57, 59
SP568004	95	569993	57
SP568005	95	569995	57
SP568006	95	569998	51, 71, 105
SP568007	95	569999	59
SP568008	95	570000	59
SP568009	95	572301	51, 71, 105
SP568010	95	572302	59
SP568011	95	572304	51, 71, 105
SP568012	95	572305	59
SP568013	95	572307	51, 71, 105
SP568014	95	572308	59
SP568015	95	572310	51, 71, 105
SP568016	95	572311	59
SP568017	95	572313	51, 71, 105
SP569918	105	572314	59
553150	49, 69, 105	572317	51, 71, 105
553151	49, 69, 105	572318	59
553156	57	572320	51, 71, 105
560073	105	572321	59
561378	49, 69, 105	572323	51, 71, 105
561497	57	572324	59
563405	57	572326	51, 71, 105
564485	57	572327	59
564487	57	572339	51, 71, 105
568002	99	572342	51, 105
569901	49, 69, 105	572343	71
569905	57	572355	59
569911	57	572358	71, 105
569912	49, 69, 105	572359	59
569918	49, 69	572383	71, 105
569919	57	572386	99
569921	45, 65, 101	572391	71, 105
569922	55	575201	95
569924	49, 69, 105	575202	95
569925	57	575203	95
569927	49, 69, 105	575204	95
569928	57	575205	95
569930	49, 69, 105	575206	95
569931	57	575207	95
569933	47, 67, 103	575208	95
569934	55	575209	95
569936	49, 69, 105	575210	95
569937	57	575211	95
569939	47, 67, 103	575212	95
569940	55	575213	95
569942	49, 69, 105	575214	95
569943	57	575215	95
569945	49, 69, 105	575216	97

N/A items do not appear in index.

575217	97	571055	91
575218	97	573009	93
575219	97	Coin Meter Cover	
575220	97	567924	73, 79
575221	97	Coin Meter Cover Plate	
575222	97	SP558929	43, 53
575223	97	Coin Meter Covering Plate	
575224	97	SP547565	61
575225	97	Coin Vault Plate	
575226	97	SP533103	23, 25, 29
575227	97	566737	39
575228	97	Collector Weldment	
575229	97	570840	181
575230	97	Communication Cable	
575231	97	SP528323	129, 188
575232	97	SP528325	129
575233	97	Compression Spring	
575234	97	SP535406	109
575235	97	Conductor	
575236	97	505446	131
575237	97	505448	131
575238	97	Connection	
575239	97	547808	179
575240	97	Connector	
575241	97	SP537856	107, 167
575242	97	SP554156	159, 161
575243	97	Contactactor	
575244	97	SPPRI345002019	129, 135, 139, 143, 147, 151, 155
575245	97	SP514038	129, 135, 139, 143, 147, 151, 155
575246	97	SP514042	129, 135, 139, 143, 147, 151, 155
575247	97	SP514043	129
575248	97	Control	
575249	99	575632	79, 81, 83, 85, 87, 89
575250	99	Control Board	
575251	99	SP547001	61
575252	99	SP553411	43, 53, 61
575253	99	SP553412	43
575254	99	SP553419	53, 73, 75, 77
575255	99	553411	73, 75, 77
575256	99	575630	33, 39
575257	99	Control Board Power	
575258	99	SP547002	61
575259	99	SP553405	33, 43, 53, 61
575260	99	Control Holder	
575261	99	571041	79, 81, 83
575262	99	Control Panel	
575263	99	SP557614	43
575264	99	SP558894	53
575265	99	573062	75
575266	99	573064	73
575267	99	573074	77
575268	99	573117	79
575269	99	573119	81, 83
575270	99	Control Panel Frame	
575271	99	573025	35, 79, 81, 83
575272	99	Cover	
575273	99	SPPRI543000004	43, 53, 61
575274	99	SP552972	107
575275	99	566549	135, 139, 143, 147, 151, 155
575276	59	569656	33
575277	59	Cover Plate	
575278	99	SP550149	61
575279	99	Cover Strip Pin	
Coin Meter Box		SP533738	9
SP102532	91		
100498	91		
568036	93		
Coin Meter Case			
571049	91		

N/A items do not appear in index.

CPS Cover Plate SP558930	43, 53
Cross Piece SP537730	163, 165
<hr/>	
D	
Damper SP533715	11
SP533716	11
DC Choke 571454	151, 155
571455	143, 147, 151
Dispenser Lid SP526461	119, 121, 123
SP551695	119
573922	121, 123
Dispenser Pipe SP526488	119, 121, 123
Dispenser Seal SP540158	119, 121, 123
Distance Case SP515274	9
Distinguishing Ring SP535411	109, 113
SP535437	109
571733	109, 111
Door SP535426	109
SP535428	109
SP553526	109, 113
568837	109, 111
Door and Lock Holder SP537853	107
Door Assembly 571764	113
571767	111
Door Frame Sheet 571633	111, 113
Door Glass SP535417	107, 113
SP556227	107
SP562702	107
535417	111
556227	111
573191	111
Door Level 573009	111, 113
Door Lock Assembly SP537760	117
576085	115
Door Lock Cable 569751	188
Door Lock Catch 576084	115
Door Lock Holder 568906	167
Door Lock Plate 568971	115
Door Lock Wiring SP528270	107
SP552453	107
SP552454	107
569749	188

Door Seal 563297	109
Double Check Valve F8301201	109, 119
Double Reverse Valve RSPB12543901	185, 187
Drain Cover SP527088	35
Drain Elbow SP519463	181
SP526498	125, 127
Drain Hose Pipe SPPRI505000087	125
SP526492	125, 127
Drain Jet 567167	175
Drain Pump Cover SP521511	35
Drain Valve SP526460	125, 127
Drain Valve Chamber SP553195	125
Drain Valve Holder SP526512	125, 127
Drain Valve Motor SPPRI340002051	125, 127
Drain Valve Seal 554276	125, 127
Drum V-Pulley SP509819	169

E

Edge Protection SP529068	23, 27, 31, 33, 39, 149
Elbow 567181	175
Elevated Base Frame SP547729	173
SP547732	173
SP547734	173
SP547736	173
SP547737	173
551916	173
551917	173
551918	173
551919	173
551920	173
Emergency Stop Connector SP528311	43, 53, 61, 73, 79, 85
Emergency Stop Interconnection SP520033	43, 53, 61, 87
571485	89
Emergency Stop Knob SP528310	43, 53, 61, 73, 79, 85
Emergency Stop Label SPPRI551005248	73, 79
Emergency Stop Wiring SP520032	43, 53, 61
End Cover 552483	131
End Stop SP346000209101	143, 147, 151, 155

N/A items do not appear in index.

External Block Signal Cable	
SP557947	133, 135, 139, 188
SP557948	188
External Tub	
SP537764	163, 165
SP537918	163, 165
567158	163, 165
567197	163, 165
External Tub Front Plate	
SP537742	163
SP571607	167

F

Fastener	
SP550115... 21, 25, 29, 33, 41, 73, 75, 77, 79, 81, 83, 183	
Ferrite Core	
557961	135, 139, 143, 147, 151, 155
Filling Elbow Pipe	
SP526506	119, 121, 123, 185, 187
Filling Hose Pipe	
RSPF200166	119
SPPRI505000054	119, 121, 123, 185, 187
SP101621	119, 121, 123, 185, 187
SP547980	119, 121, 123, 185, 187
Filter	
SPPRI340004030	119, 121, 123, 185, 187
SP516012	129, 135
SP525935	129
525935	139
568380	143, 151
570835	181
Filter Holder	
572126	147
574850	155
Filter Tank	
570846	181
Fixed Hinge	
568982	111
Fixed Lower Hinge	
568982	109, 113
568984	109
Fixed Upper Hinge	
568979	109, 111, 113
568981	109
Flap	
SP540113.....	119, 121, 123
Foam Roller	
SP100188	125, 127
Frame GND Interconnection	
SP528205	188
528080	188
Frequency Inverter	
571472	129, 135, 143, 151
571474	129, 135, 139, 143, 147, 155
Frequency Inverter Filter	
SP557932	147, 155
Front Cover	
SP564368	35
573014	35
Front Panel	
SP547744	31
SP547746	31

SP547752.....	23, 31
SP547754.....	23, 31
SP556128.....	107
SP556231.....	107
SP557056.....	27
SP557057.....	27
SP562724.....	27
SP562725.....	27
563458	23, 31
563460	23, 31
571073	35
571722	107, 167
571725	107, 167
572472	23
572474	23
572484	107
572535	39
572536	39
572537	39
572538	39
574091	35

Front Spring Holder	
SP550447.....	15
Fuse	
SPPRI401001021.....	131
SP345805005020.....	133, 139, 147, 155
SP345805163032..	133, 135, 139, 143, 147, 151, 155
Fuse Cover	
SP554311.....	143, 147, 151, 155
Fuse Holder	
SPPRI1401001020.....	139
SPPRI401001020.....	133, 147, 155
SP554310.....	143, 147, 151, 155
Fuse Housing	
SPPRI401003020..	133, 135, 139, 143, 147, 151, 155
552482	131

H

Handle	
SP552908.....	109
SP552909.....	109
SP556297.....	109
562898	109
569335	109
571780	113
571781	111
571788	109
Handle Ball	
SP535407.....	109
Handle Lower Part	
SP535429.....	109
571779	111, 113
Handle Torsion Spring	
SP535402.....	109, 111, 113
Heating Contactor Wiring	
SPPRI351105209.....	188
SPPRI351107209.....	188
SPPRI351108209.....	188
Heating Element	
SP540142.....	167
SP540143.....	167
SP540144.....	163, 167
SP540145.....	163, 167
SP540146.....	163, 167

N/A items do not appear in index.

Heating Element Cover 568938	167
Heating Element Front Cover SP537866	107
SP556236	107
SP563274	107, 167
568986	107, 167
572485	107
Heating Element Hole Plug SPPRI342001016	159, 161
Heating GND Wiring SP528335	188
Heating Wiring 528328	188
528330	188
528331	188
Hex Pillar 570381	145, 149, 153, 157
Hinge SP516832	21, 25, 29, 41
Hinge Spacer SP535421	109, 111, 113
SP537849	107, 167
Hinges 570553	109
570554	109
Holder SPPRI326002004	21, 25, 29, 33
540123	135, 139
570382	143, 147, 151, 155
Holder Cover SP535430	109, 113
SP535438	109, 111
SP556278	109
569331	109
Holder Partition SP526474	129
SP540167	129
SP554382	129
Hook SPPRI551016250	21, 25, 29, 41
Hook Lock SPPRI610002007	21, 25, 33, 61, 87
Hose SPPRI503002049	125, 127
SPPRI540000014	119, 121, 123, 185, 187
SPPRI540001019	175
SPPRI540020005	179
529747	179
Hose Clamp SPPRI240000002	119, 121, 123, 185, 187
SPPRI240000003	119, 121, 123, 125, 127, 175, 185, 187
SPPRI240000007	119, 121, 123, 125, 127, 181, 185, 187
SPPRI240000015	169
SPPRI240000017	119, 185, 187
SPPRI240000021	119, 121, 123, 125, 127, 185, 187
SPPRI241000017	125, 127
SPPRI54100001	127
SP526491	119, 121, 123, 185, 187
SP526532	125, 127
Hose Coupling 567173	175
Hose End 567171	175

Hose Pharmasteel 567180	175
Hose Pipe SP101745	119, 121, 123

I

Inlet Valve Extension Wiring 552477	188
Insulation Washer 571458	143, 147, 151, 155
Interconnection SP545220	131
528169	131
Internal Vessel SP540122	119, 121, 123
Isolation Cavity 345000966067	131
557936	131
Isolation Paper SPPRI350012007	91, 93, 129

K

Key SP550616	21, 25, 61, 87
Keyboard SP537994	63
SP547011	63
SP547012	63
SP547013	63
SP547014	63
SP547023	43, 63
SP547024	43, 63
SP547025	43, 63
SP547026	43, 63
SP547035	63
SP547036	63
SP547037	63
SP547038	63
SP552911	63
SP556112	63
SP557566	73, 75, 77
SP557569	53
SP557570	53
SP557575	43
SP557576	43
SP557580	43
SP557583	43
SP559375	53
SP559378	53
SP560755	63
SP560761	53
SP560762	53
547087	73
547088	73, 75, 77

L

Label SP560786	29
SP563291	63
SP564831	109

N/A items do not appear in index.

524740	135, 139
557981	131
570371	143, 147, 151, 155
572486	7
572487	7
576337	7
Label Covering	
567925	79
Latch	
SP527083	35
Leading Pin	
SP550113	43, 53, 79, 81, 83
Liquid Detergent Box	
SP540123	133
Liquid Soap Supply Connection Kit	
SP540180	129
Locating Segment	
SP529710	109
571773	111, 113
Lock21	
SP537760	107
SP547527	21, 25, 33, 61, 87
Lock Pin	
SP537933	109
Lower Frame	
SP533771	11
Lower Hinge	
SP556276	109
571651	109, 111, 113
Lower Lath	
SP547515	61
Lower Rear Cover	
SP533382	27
SP533383	23, 31, 35, 39
Lower Weight	
SP533737	9
SP533753	9
SP533784	9
Lubrication Grease	
SP111313000002	171

M

Main Switch	
SPPRI404000097	129, 135, 139, 143, 147, 151, 155
SPPRI404000098	129, 135, 139, 143, 147, 151, 155
SPPRI404000099	129, 135, 139, 143, 147, 151, 155
SPPRI404001098	129, 135, 139, 143, 147, 151
SPPRI404001099	129, 135, 139, 143, 147, 151
SP506407	129, 135, 139, 143, 147, 151
Main Switch Knob	
SPPRI404000095	133, 135, 139, 143, 147, 151, 155
Main Vessel	
SP540115	119, 121, 123
Main Wiring	
SP552475	129
SP557768	129
568392	188
Manifold Flush Kit	
529789	179
529797	179
529798	179
529799	179
529800	179

Microswitch	
SP528309	11
568978	115
571634	167
Mixer	
SP526558	119, 121, 123, 185, 187
Mixer Body	
SP526565	119, 121, 123, 185, 187
Mixer Lid	
SP526557	119, 121, 123, 185, 187
Module	
553189	39
Motor and Pulley	
SP555582	169
SP555585	169
SP557451	169
SP557454	169
571447	169
571448	169
Motor Holder	
SP533781	169
Motor Temperature Protect Cable	
568397	188

N

Network Installation Kit	
569593	43, 53, 61
Nose Assembly	
572582	85
573954	89
574126	87
574235	85
574238	87
574241	89
Nut	
F430225	115
F430232	115
SP101416	129, 135, 139, 143, 147, 151, 155
SP101419	129, 135, 139, 143, 147, 151, 155
SP309084000308	85, 87, 89
SP310934000003	11
SP310934000004	43, 53, 61, 73, 75, 77, 79, 81, 83, 85, 87, 89, 91, 93, 129, 133, 137, 141
SP310934000008	169
SP310934000010	11
SP310934000020	11
SP310934100006	129, 137, 141, 145, 149, 153, 157
SP310934240004	115
SP310934240006	167
SP310934240008	163, 167
SP310985000006	29, 41, 107, 109, 111, 113, 167, 169
SP310985000008	9, 11
SP310985000010	11, 163, 165
SP310985000012	169
SP313251000006	21, 25, 29, 33, 41, 159
SP313251002104	107, 175
SP510923	11
SP514193	27, 33
567170	175
571635	167

N/A items do not appear in index.

O

O-Ring	
567168	175
567169	175
Oscillation Limiter	
SP533388	9
Overflow Tube	
SP526480	119, 127, 185, 187
Overlay	
573927	85
573936	87
573951	89
574217	85
574220	87
574223	89

P

Panel Holder	
SP533293	29
SP557621	21
SP560302	25
567960	33
573938	39
Pin	
SP540117	119, 121, 123
Pin Insertion	
SP520408	11, 21, 23, 25, 29, 33, 41, 43, 53
Pipe Nipple	
SPR22112000114	159, 161
Plate of Closing	
568941	115
Plug	
SPPRI426001268	159, 161
567053	185, 187
Profile	
SP522450	167
SP527088	35
522450	35
Profiled Sealing	
SPPRI505000058 ...	11, 25, 125, 137, 141, 145, 149, 153, 157, 167
Programmer Holder	
SP547510	61
SP547513	61
SP557618	43
SP558896	53
569578	33
573934	39
Programming Cable	
F8600501	43, 53, 61
Pulley Ring	
SP556149	169
Pump	
529742	179
529743	179
529744	179
529745	179
529746	179
567151	175
Pump Board	
567113	175

Pump Relay Board to LED Terminal Cable	
SP528149	133

R

Rear Cover	
SP533143	23, 25, 29
570468	35, 39
Rear Panel	
SP540149	131
SP554381	131
567946	143, 147
574118	151, 155
rear Panel	
567946	135, 139
Rear Panel Lid	
SP540121	133
Rear Spring Holder	
SP550449	13, 15, 17, 19
Reduction	
567128	125
567174	119
Reinforcement	
SP558880	21
SP558944	25
Reinforcement Tube	
SP500125	125, 127
Relay	
SP514057	131
Relay Case	
SP506586	131
Relay Clamp	
SP514135	131
Reverse Function Drain Valve	
SP547821	125, 127
Rim	
SP562546	109, 111
573188	111
Ring	
SP527085	33
Rivet	
SP313250004007	129
SP313250004063	33
SP313250048008	21, 25, 29
SP313250048103	41
SP521706	33
SP547779 11, 21, 23, 25, 29, 33, 41, 43, 53, 107, 167	
Roller	
SP533727	11
RS485 External Interconnection	
SP547075	188

S

Screw	
F430977	115
SP309798124313	119, 121, 123
SP526497	119, 121, 123, 125, 137, 141, 145, 149, 153, 157, 185, 187
SP529206	13, 15, 17, 19, 21, 23, 25, 27, 29, 31, 33, 41, 91, 93, 119, 121, 123, 125, 127, 129, 133, 137, 141, 145, 149, 153, 157

N/A items do not appear in index.

T

Tape	
SP284000012003 .. 29, 43, 53, 61, 73, 75, 77, 79, 81, 83,	167
SP510846	43, 53, 61
Tee	
SP526454	125, 127
Temperature Sensor	
SP503839	185
503839	119, 121, 123, 187
Temperature Sensor Seal	
SP526439	119, 121, 123, 185, 187
Tensioning Angle Piece	
SP533326	169
SP533327	169
Terminal Board	
SPPRI350000007	91, 93
SP506575	131
Thorn	
567152	175
Top Cover	
SP550305	29
SP551995	29
SP557637	21
SP558902	25
567875	21
567992	37
569647	37
572482	21
574204	39
574253	39
Top Cover Reinforcement	
SP547704	21, 25, 29, 39
Torsion/Door Lock Spring	
571612	115
T-Part	
567172	175
Transformer	
SP516648	129
Transformer Connection	
528350	188
552495	188
Transformet	
SP516648	139, 147, 155
564561	143, 147, 151

U

U Shape	
SP556983	27
SP556984	27
Upper Frame	
SP533776	9
Upper Hinge	
SP556275	109
571650	109, 111, 113
Upper Lid Prop	
SP533341	21, 25, 29, 39
USB Cable	
SP547006	133, 135, 139, 143, 147, 151, 155
569668	91

USB Connection	
SP557744	53

V

Valve, 1-Way	
570195	185, 187
Valve, 2-Way	
SP547958	119, 123
Valve, 3-Way	
SP547959	119, 121, 123
Valve, 4-Way	
SP548933	119, 121
Vent Hose	185, 187
SP526482	119, 121, 123
Vibration Switch Assembly	
SP533391	11
Vibration Switch Holder	
SP533387	11

W

Washer	
F8193101	115
PRI247000013	33
SPPRI522000012	21, 25
SPPRI523000007	137, 141
SP311125000003	11, 85, 87, 89
SP311125000004 .. 61, 79, 81, 83, 129, 133, 137, 141, 145,	149, 153, 157
SP311125000006	21, 159, 161
SP311125000008	9, 163, 165
SP311125000010	165
SP311125100006 .. 129, 137, 141, 145, 149, 153, 157	
SP311125240004	115
SP311125240006 .. 131, 137, 141, 145, 149, 153, 157, 167	
SP311125240008	163, 165, 167
SP311127000003	85, 87, 89
SP311127000004 .. 33, 79, 81, 83, 129, 133, 137, 141, 145,	149, 153, 157, 175
SP311127000006 .. 21, 25, 145, 149, 153, 157, 159, 161,	175
SP311679800003 .. 11, 33, 41, 43, 53, 61, 73, 75, 77	
SP3116798000049, 11, 31, 41, 43, 53, 61, 73, 75, 77, 79, .. 81, 83, 85, 87, 89, 137, 141, 145, 149, 153, 157	
SP311679800006	167
SP3116798240006	157
SP311679824004	115
SP311679824006 .. 129, 131, 137, 141, 145, 149, 153	
SP311737000010	163, 165
SP311902100004 ... 11, 27, 33, 43, 53, 61, 73, 79, 81, 83,	85, 87, 89, 149, 175
SP311902100006 .. 29, 41, 109, 111, 113, 145, 149, 153,	157, 175
SP311902100008	125, 127
SP311902100010	11, 169
SP311902100012	169
SP505430	145, 149, 153, 157
SP525284	9
SP527021	33
SP527087	33
SP537885	163, 165
SP547981	159, 161
550446	23, 27, 31, 35, 39

N/A items do not appear in index.

563361	129
571642	109, 111, 113
576338	41
Washing Drum	
SP537766	163, 167
SP563266	167
563246	163, 167
563266	163
Water Heater	
SP562736	175, 177
SP562749	175, 177
Water Hose	
F200164	119, 121, 123
Water Level Switch	
570315	127
Water Level Switch Hose	
SPPRI540001003	125, 127
Water Softener	
SP562737	175, 177
SP562750	175, 177
Water Level Sensor	
SP562709	125
Wireless Reader Wiring	
552466	188
Wiring Steam - Electrical Heating	
528393	188

Y

Y-Piece	
SPPRI503000028	125, 127

Numerics

1	105
---	-----
