

W185, SE185, FL185

Washer extractor

Laveuses essoreuses

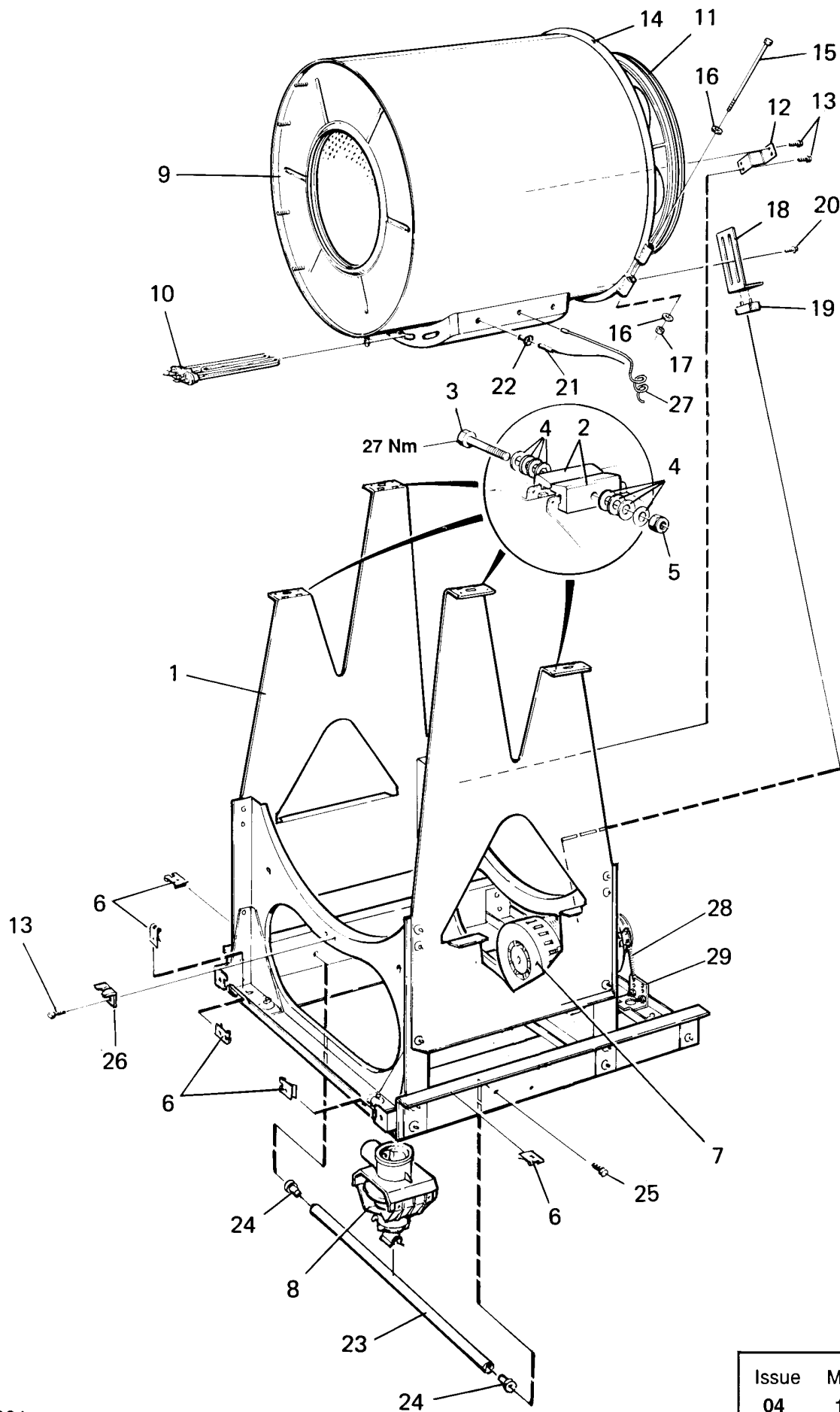
List of issues

FL185,FL185 HI-TEK,SE185,W185,W185 EMERALD,W185 HI-TEK

Illustration	Page	Table of contents
100568	91	Inlet valve 1/2", 3/4", 1", 1 1/4", 2"
100605	93	Card programmer
100696	41	Control panel
100697	39	Control panel
100698	47	Control panel
100771	83	Drain valve
100797	89	Inlet valve 3/4", 3-way
100798	87	Inlet valve 3/4", 2-way
100799	85	Inlet valve 3/4", 1-way
100826	95	Memory cartridge complete
100847	97	Program unit
100848	35	Control panel
100949	23	Electric components
100950	13	Back plate with inner drum, bearings, pulley
100951	53	Water alternatives P03
100980	43	Control panel
100981	45	Control panel
100991	7	Base and outer drum
100992	9	Panels and top panel
100993	11	Door and door lock
100994	15	Motor and motor suspension
100995	17	Drain valve and hoses
100996	19	Steam injector
100997	27	Electric components
100999	63	Water connections
101000	61	Water connections
101137	75	Cables
101138	77	Cables
101139	79	Cables
101144	71	Cables P02,22
101146	31	Cables P03
101149	81	Cables
101188	55	Water connections
101189	67	Water connections
101191	69	Water connections
101192	37	Control panel
101336	29	Electric components
101367	99	Detergent container
101368	101	Automatic detergent control
101409	33	Cables P03
101412	59	Water connection liquid detergent
101413	57	Water connection, detergent container
101416	51	Type plates and panel plates
101664	73	Cables for single system
500140	49	Pushbutton unit

FL185,FL185 HI-TEK,SE185,W185,W185 EMERALD,W185 HI-TEK

Table of contents	Table des matières	Page/Page
Base and outer drum	Base et tambour externe	7
Panels and top panel	Panneaux et couvercle	9
Door and door lock	Plaque et serrure de porte	11
Back plate with inner drum, bearings, pulley	Pignon arrière avec tambour intérieur	13
Motor and motor suspension	Purgeur et flexible	15
Drain valve and hoses	Soupape d'échappement et flexible	17
Steam injector	Injecteur de vapeur	19
Electric components	Composants électriques	23
Electric components	Composants électriques	27
Electric components	Composants électriques	29
Cables P03	Câblage P03	31
Cables P03	Câblage P03	33
*Control panel	Pupitre de commande	35
Control panel	Pupitre de commande	37
Control panel	Pupitre de commande	39
Control panel	Pupitre de commande	41
Control panel	Pupitre de commande	43
Control panel	Pupitre de commande	45
Control panel	Pupitre de commande	47
Pushbutton unit	Poste bouton-poussoir	49
Type plates and panel plates	Plaquettes de type et de pupitre	51
Water alternatives P03	Option eau froide P03	53
Water connections	Raccords d'eau	55
Water connection, detergent container	Raccord eau compartiment à savon	57
Water connection liquid detergent	Raccord eau produit de lavage liquide	59
Water connections	Raccords d'eau	61
Water connections	Raccords d'eau	63
Water connections	Raccords d'eau	67
Water connections	Raccords d'eau	69
Cables P02,22	Câble P02,22	71
Cables for single system	Cables for single system	73
Cables	Câble	75
Cables	Câble	77
Cables	Câble	79
Cables	Câble	81
Drain valve	Vanne de vidange	83
Inlet valve 3/4", 1-way	Soupape de admission 3/4", 1 voie	85
Inlet valve 3/4", 2-way	Soupape de admission 3/4", 2 voies	87
Inlet valve 3/4", 3-way	Soupape de admission 3/4", 3 voies	89
Inlet valve 1/2", 3/4", 1", 1 1/4", 2"	Soupape de admission 1/2", 3/4", 1", 1 1/4", 2"	91
Card programmer	Programmeur cartes	93
Memory cartridge complete	Cassette de mémoire complet	95
Program unit	Unité programmation	97
Detergent container	Compartiment à savon	99
Automatic detergent control	Contrôle du liquide de lavage	101



100991

Issue	Month	Year
04	11	00

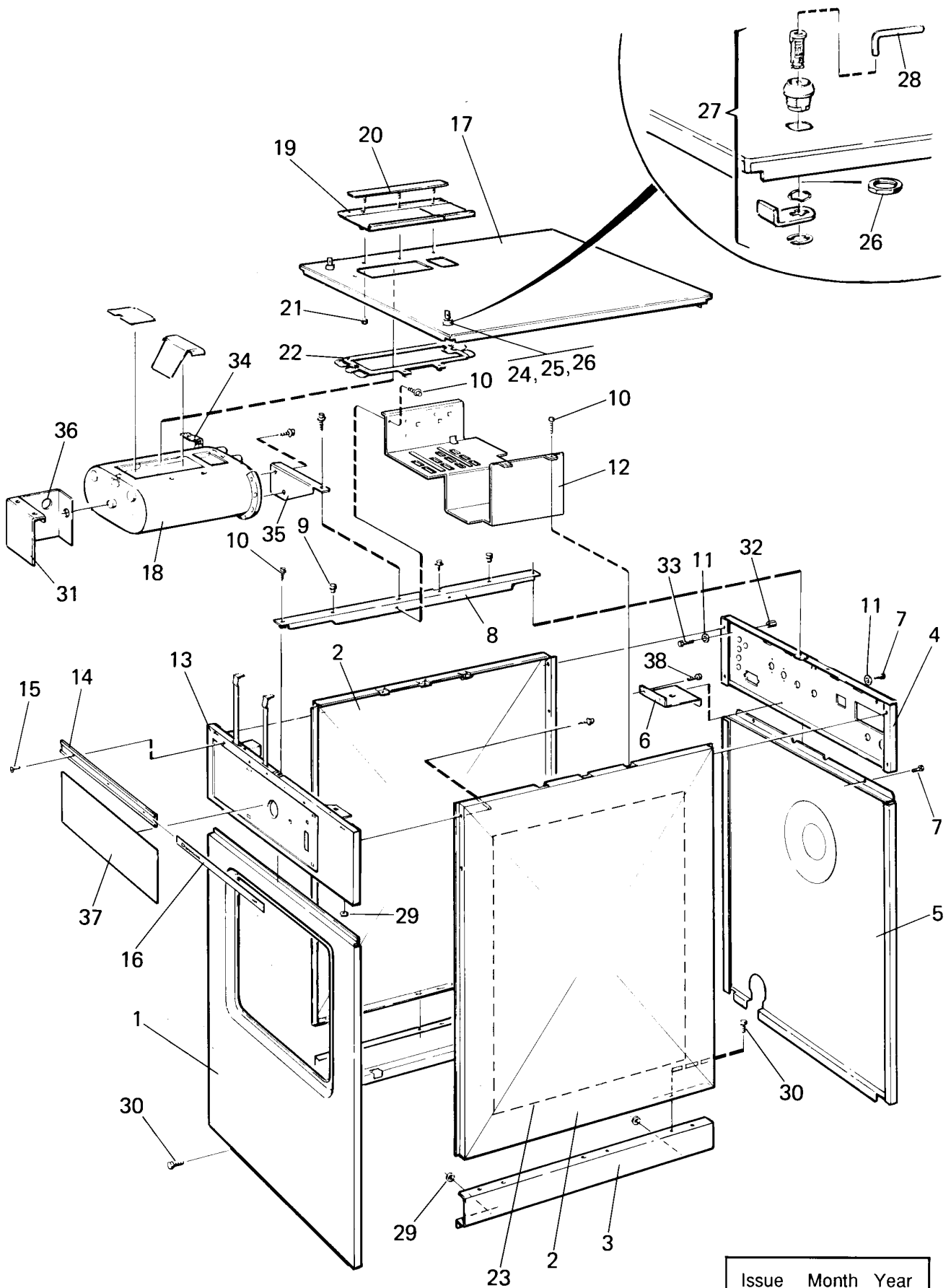
FL185,FL185 HI-TEK,SE185,W185,W185 EMERALD,W185 HI-TEK

Base and outer drum

Illustration Issue Month Year
Schéma Issue Month Year
100991/1 15 8 2006

Base et tambour externe

Item Article	Quantity Quantité	Art.No Réf. article	Description	Description	Info Info	Notes Remarques
SE185,W185,W185 EMERALD,W185 HI-TEK						
FL185,FL185 HI-TEK						
1	1	1	438 0322-01	Frame	Base	3 5
2	4	4	438 0027-01	Tensioner	Crochet	3
3	2	2	725 2465-71	Screw	Vis	3 M8X70
4	8	8	471 7807-02	Tension plate	Tôle de serrage	3 18x8,4x2
5	2	2	732 2118-01	Locking nut	Contre-écrou	3 M8
6	8	8	471 7864-01	Clip	Colliers de serrage	3 M6
7				Motor	Moteur	100994
8				Drain valve	Vanne de vidange	8108 See group US8107
9	1		438 0271-02	Outer drum	Extérieur du tambour	1 Non-heated
	1	1	438 0271-03	Outer drum	Extérieur du tambour	1 NON-HEATED, HI-TEK, SE
	1	1	438 0271-01	Outer drum	Extérieur du tambour	1 EL.FL-MP,PEC EL. HEATED, HI-TEK
	1	1	438 0271-04	Outer drum	Extérieur du tambour	1 EL HEATED
	1	1	438 0271-05	Outer drum	Extérieur du tambour	1 STEAM HEATED, FL HI-TEK
	1	1	438 0271-07	Outer drum	Extérieur du tambour	1 STEAM HEATED, FL
10	3	3	471 9811-05	Heating element	Élément de chauffage	1,2 6kW 254V
	3	3	471 9811-08	Heating element	Élément de chauffage	1,2 6kW 277V
11	1	1		Back plate	Pignon arrière	100950
12	1	1	438 0281-01	Bracket	Support de montage	3
13	6	6	725 2366-61	Screw	Vis	3 M6SF 6X12
14	2	2	471 2072-98	Tension strap	Extenseur	3
15	2	2	471 9222-59	Screw	Vis	3 M8X140
16	4	4	471 8502-14	Washer	Rondelle	3 BRB 8,4X17
17	2	2	732 2118-01	Locking nut	Contre-écrou	3 M8
18	1	1	471 2438-14	Rail	Support	3 -92/3403
19	1	1	471 2437-15	Plug	Fiche	3 -92/2567
20	2	2	725 2370-61	Screw	Vis	3 M6SF 6X20
21	1		472 9913-22	Sensor	Capteur	1,2 Complete
22	RQ	RQ	471 8192-01	•Bushing	•Douille	1,2
23	1	1	438 0241-02	Pipe	Tube	3
24	2	2	438 0185-01	Pin	Goupille	3
25	2	2	725 2366-61	Screw	Vis	3 M6SF 6X12
26	1	1	438 0249-01	Bracket	Support	3
27	1		471 8803-24	Thermostat	Thermostat	1,2
		1	471 8804-02	Thermostat	Thermostat	1,2
28	1	1	471 7801-08	Spring	Ressort	3 92/3404-
29	1	1	438 4042-01	Angle	Coude	3 92/3404- 92/2568-



FL185,FL185 HI-TEK,SE185,W185,W185 EMERALD,W185 HI-TEK

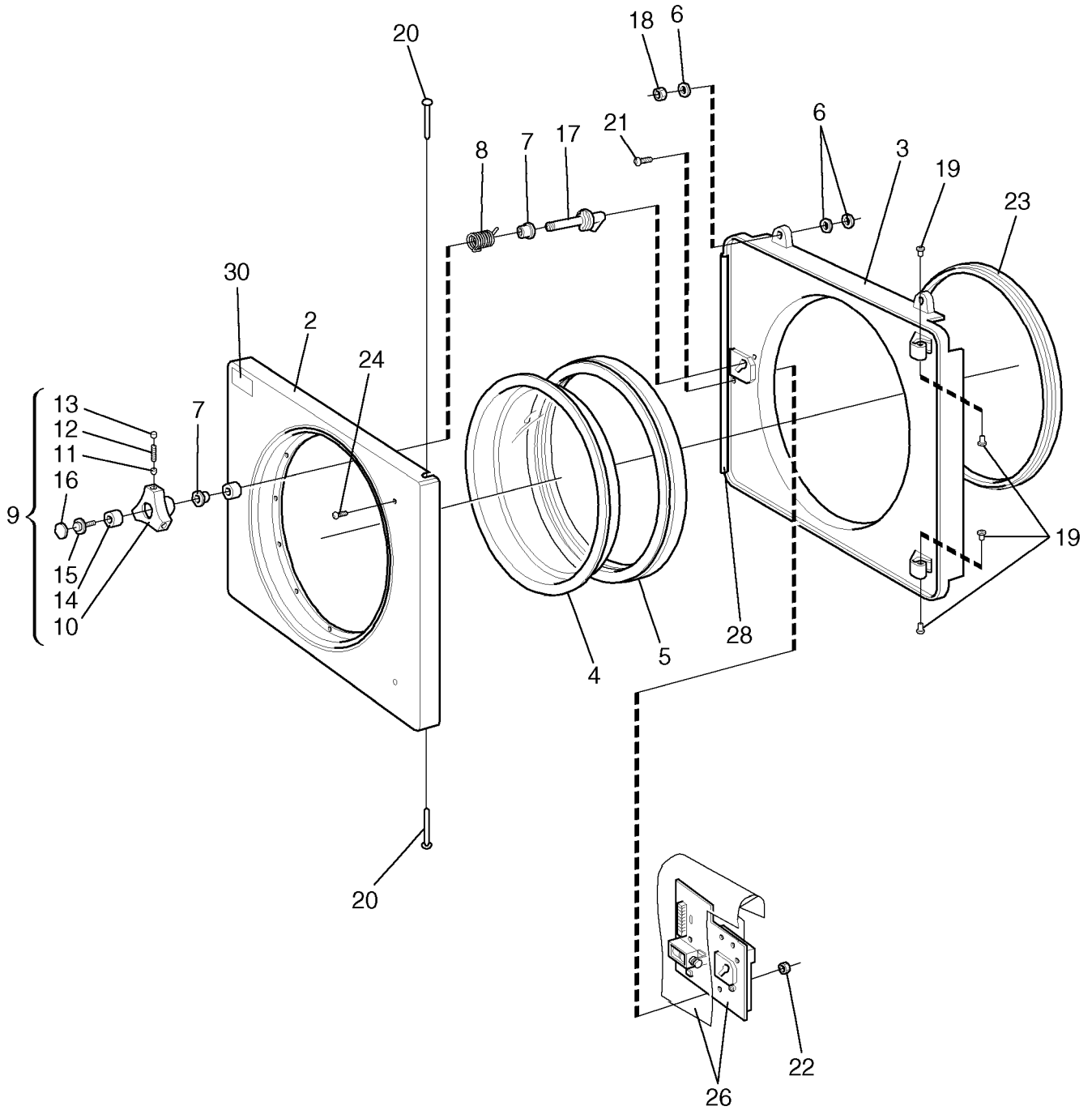
Panels and top panel

Illustration Issue Month Year
Schéma Issue Month Year
100992 12 11 2000

Panneaux et couvercle

Item Article	Quantity Quantité	Art.No Réf. article	Description	Description	Info Info	Notes Remarques
SE185,W185,W185 EMERALD,W185 HI-TEK						
FL185,FL185 HI-TEK						
1	1	438 0282-19	Front panel	Panneau avant	1	White
	1	438 0282-20	Front panel	Panneau avant	1	Blue
	1	438 0282-21	Front panel	Panneau avant	1	Yellow
	1	438 0282-22	Front panel	Panneau avant	1	Almond
	1	438 0282-23	Front panel	Panneau avant	1	Stainless
2	2	438 0352-70	Side panel	Panneau latéral	1	White
3	2	438 0318-01	Side cover	Protection latérale	3	White
4	1	438 0356-48	Brace bracket	Support de montant	3	
	1	438 0356-50	Brace bracket	Support de montant	3	
	1	438 0356-49	Brace bracket	Support de montant	3	LIQUID SUPPLY
5	1	438 0284-01	Rear plate	Plaque arrière	3	
	1	438 0284-02	Rear plate	Plaque arrière	3	Steam
6	1	438 0320-01	Bracket	Pupitre	3	
7	4	471 8340-23	Screw	Vis	3	RTS 4,2X13
8	1	438 0319-01	Brace	Montant	3	
9	3	471 8641-01	Plug	Fiche	3	
10	10	471 8342-13	Screw	Vis	3	MRT-TT 4X10
11	10	735 2136-01	Lock washer	Rondelle d'arrêt	3	AZ 4,3 4,3
12	1		Mounting plate	Plaque de montage	3	
	1		Mounting plate	Plaque de montage	3	
13			Control panel	Pupitre de contrôle		SEE CONTROL PANELS
14	1	471 7909-07	Rail	Support	3	
15	3	722 7843-02	Pop rivet	Rivet	3	
16	1		Sign	Signe	3	100838
17	1	438 0340-01	Top panel	Couvercle	1	
18	1		Detergent container	Compartment à savon		See group US8802
19	1		Cover	Couvercle	1	See group US8802
20	1		•Rail	•Support	3	See group US8802
21	3		•Nut	•Écrou	3	M4
22	1	438 0078-01	Gasket	Joint	1,2	-95/10424
	1	438 0460-01	Gasket	Joint	1,2	95/10425-
23	1	471 2098-71	Insulating disc	Couche isolante	3	400X700
24	2	471 7826-13	Lock	Serrure	1,2	Coin-meter
25	2	472 9900-99	Key	Touche	1,2	SET Coin-meter
26	2	471 7826-98	Nut	Écrou	3	
27	2	471 7826-14	Lock	Serrure	3	WITHOUT COIN-METER
28	1	471 7826-97	Allen key	Clé hexagonale	3	
29	6	471 8196-01	Plug	Fiche	3	
30	8	725 2366-42	Screw	Vis	3	M6X12
31	1	438 0233-01	Support	Support	3	
	1	438 0390-01	Support	Support	3	FL HI-TEK
32	3	438 0237-01	Guide pin	Broche de guidage	3	
33	3	725 2289-61	Screw	Vis	3	M4X10
34	1	438 0150-01	Bracket	Support de montage	3	
35	1	438 0321-01	Bracket	Support de montage	3	
36	1	471 8164-01	Grommet	Oeillet	3	
37	1		Panel sign	Voyant du tableau		
38	2	725 2366-61	Screw	Vis	3	M6SF 6X12

①



FL185,FL185 HI-TEK,SE185,W185,W185 EMERALD,W185 HI-TEK

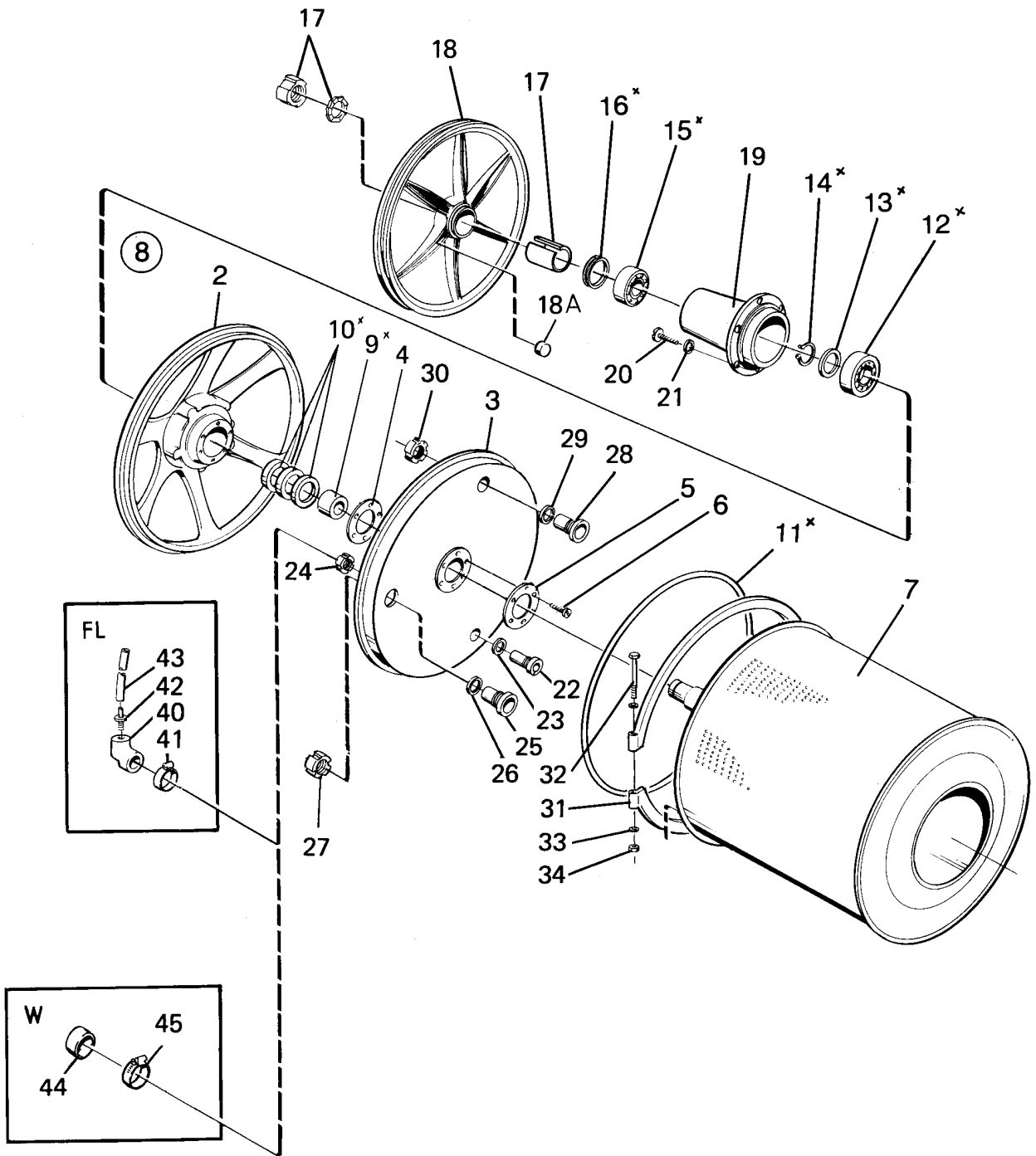
Door and door lock

Illustration Issue Month Year
Schéma Issue Month Year
100993/2 15 4 2009

Plaque et serrure de porte

Item Article	Quantity Quantité	Art.No Réf. article	Description	Description	Info Info	Notes Remarques
SE185,W185,W185 EMERALD,W185 HI-TEK						
FL185,FL185 HI-TEK						
1	1	1	438 0257-01	Door	1,2	Complete
2	1	1	438 0183-03	•Support frame	3	
3	1	1	438 0182-03	•Support frame	3	
4	1	1	438 0184-01	•Door glass	1	
5	1	1	438 0462-01	•Door gasket	1,2	
6	27	27	734 1153-01	•Washer	3	BRB 6,4X12
7	2	2	438 4063-01	•Bushing	1	
8	1	1	438 0144-01	•Torsion spring	1	
9	1	1	472 9911-08	•Spare parts kit	1	Knob compl.
10	1	1	438 0061-01	••Knob	1	
11	3	3	738 6117-13	••Ball	3	
12	3	3	471 7803-19	••Spring	3	
13	3	3	728 8362-11	••Screw	3	
14	1	1	438 0059-01	••Bushing	3	
15	1	1	725 2366-61	••Screw	3	M6SF 6X12
16	1	1	438 0060-01	••Cover	3	
17	1	1	438 0143-01	••Shaft	1	
18	7	7	732 2116-01	•Locking nut	3	M6
19	4	4	438 4062-01	•Bushing	1	
20	2	2	438 0239-01	•Shaft	1	
21	2	2	725 6328-42	•Screw	3	M5X16
22	2	2	732 2114-01	•Locking nut	3	M5
23	1	1	471 8198-02	•Gasket	3	
24	2	2	471 7961-01	Rivet	3	M4X10
25						Not used
26	1		438 3056-32	Door locking device	1,2	240V P3 93/5066-
	1		438 3056-31	Door locking device	1,2	120V P3 93/5066-
	1		438 3056-12	Door locking device	1,2	240V Emerald 93/5066-
	1		438 3056-11	Door locking device	1,2	120V Emerald 93/5066-
		1	438 3056-01	Door locking device	1,2	120V 93/5066-
	1		472 9902-50	Door locking device	1,2	120V P3 -93/5065
	1		472 9902-51	Door locking device	1,2	220V P3 -93/5065
		1	472 9902-61	Door locking device	1,2	240V -95/11023
		1	472 9902-66	Door locking device	1,2	240V HI-TEK -94/9531
		1	438 3056-04	Door locking device	1,2	240V 95/11024-
	1		438 3056-04	Door locking device	1,2	240V HI-TEK 94/9532-
27						Not used
28	1	1	471 8197-02	Rubber strip	3	
29						Not used
30	1	1	471 7651-17	Warning sign	3	English
	1	1	471 7651-21	Warning sign	3	Spanish
	1	1	471 7651-19	Warning sign	3	French

1



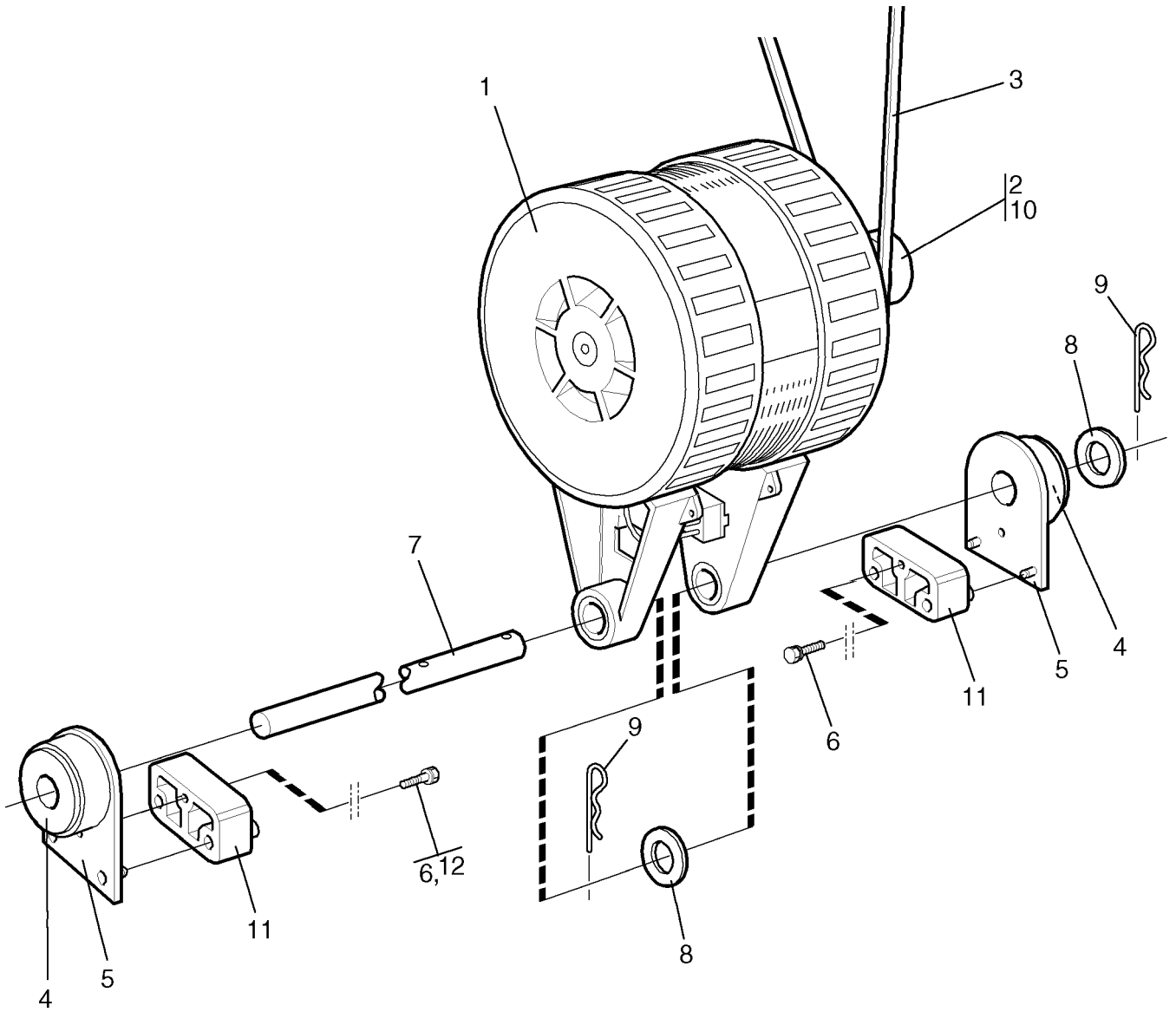
FL185,FL185 HI-TEK,SE185,W185,W185 EMERALD,W185 HI-TEK

Back plate with inner drum, bearings, pulley

Illustration Issue Month Year
Schéma Issue Month Year
100950/1 10 3 2003

Pignon arrière avec tambour intérieur

Item Article	Quantity Quantité	Art.No Réf. article	Description	Description	Info Info	Notes Remarques
SE185,W185,W185 EMERALD,W185 HI-TEK						
FL185,FL185 HI-TEK						
1	1	471 2960-10	Back plate	Pignon arrière	1	Complete
2	1	438 0413-01	•Back plate	•Pignon arrière	3	
3	1	471 2914-01	•Plate	•Plaque	3	
4	1	471 2574-02	•Gasket	•Joint	3	
5	1	471 2440-89	•Washer	•Rondelle	3	
6	6	471 8311-00	•Screw	•Vis	3	M6SFTT 5X16
7	1	438 0267-01	•Inner drum	•Intérieur du tambour	1	
8	1	472 9902-12	•Repair kit	•Kit de reconditionnement	1,2	
9	1		••Bushing	••Douille		
10	1		••Sealing ring	••Bague d'étanchéité		
11	1	471 2451-81	••Rubber strip	••Joint caoutchouc	1	
12	1		••Ball bearing	••Roulement à billes		
13	1		••Ring	••Anneau		
14	1		••C-clamp	••Presse à main		SGA60
15	1		••Ball bearing	••Roulement à billes		
16	1		••V-ring	••Anneau en forme de V		
17	1	471 8551-02	•Sleeve	•Manchon	1	Complete
18	1	471 2539-02	•Pulley	•Poulie	1	WITH MAGNET
18A	2	471 9560-01	••Magnet	••Aimant	1	
19	1	438 4176-01	•Bearing housing	•Logement de palier	3	
20	6	725 2634-71	•Screw	•Vis	3	M16X60
21	6	734 1186-01	•Washer	•Rondelle	3	BRB 17X30
22	1	438 0456-01	•Nipple	•Raccord	1	
23	1	471 2440-10	•Gasket	•Joint	1	
24	1	438 0457-01	•Nut	•Écrou	1	
25	1	438 4101-01	•Nipple	•Raccord	1	
26	1	471 2441-44	•Gasket	•Joint	1	
27	1	438 4100-01	•Nut	•Écrou	1	
28	1	438 0458-01	•Nipple	•Raccord	1	
29	1	471 2440-12	•Gasket	•Joint	1	
30	1	438 0459-01	•Nut	•Écrou	1	
31	2	471 2072-98	Tension strap	Extenseur	3	
32	2	471 9222-59	Screw	Vis	3	M8X140
33	4	471 8502-14	Washer	Rondelle	3	BRB 8,4X17
34	2	732 2118-01	Locking nut	Contre-écrou	3	M8
35						Not used
36						Not used
37						Not used
38						Not used
39						Not used
40	1	471 2095-32	Air chamber	Chambre à air	1	
41	1	736 2840-51	Hose clamp	Attache flexible	3	Ø50-63
42	1	471 2401-52	Nipple	Raccord	3	
43	1	471 2436-10	Hose	Flexible	1	
44	1	471 2416-83	Hood	Capot	3	
45	1	736 2825-51	Hose clamp	Attache flexible	3	Ø32



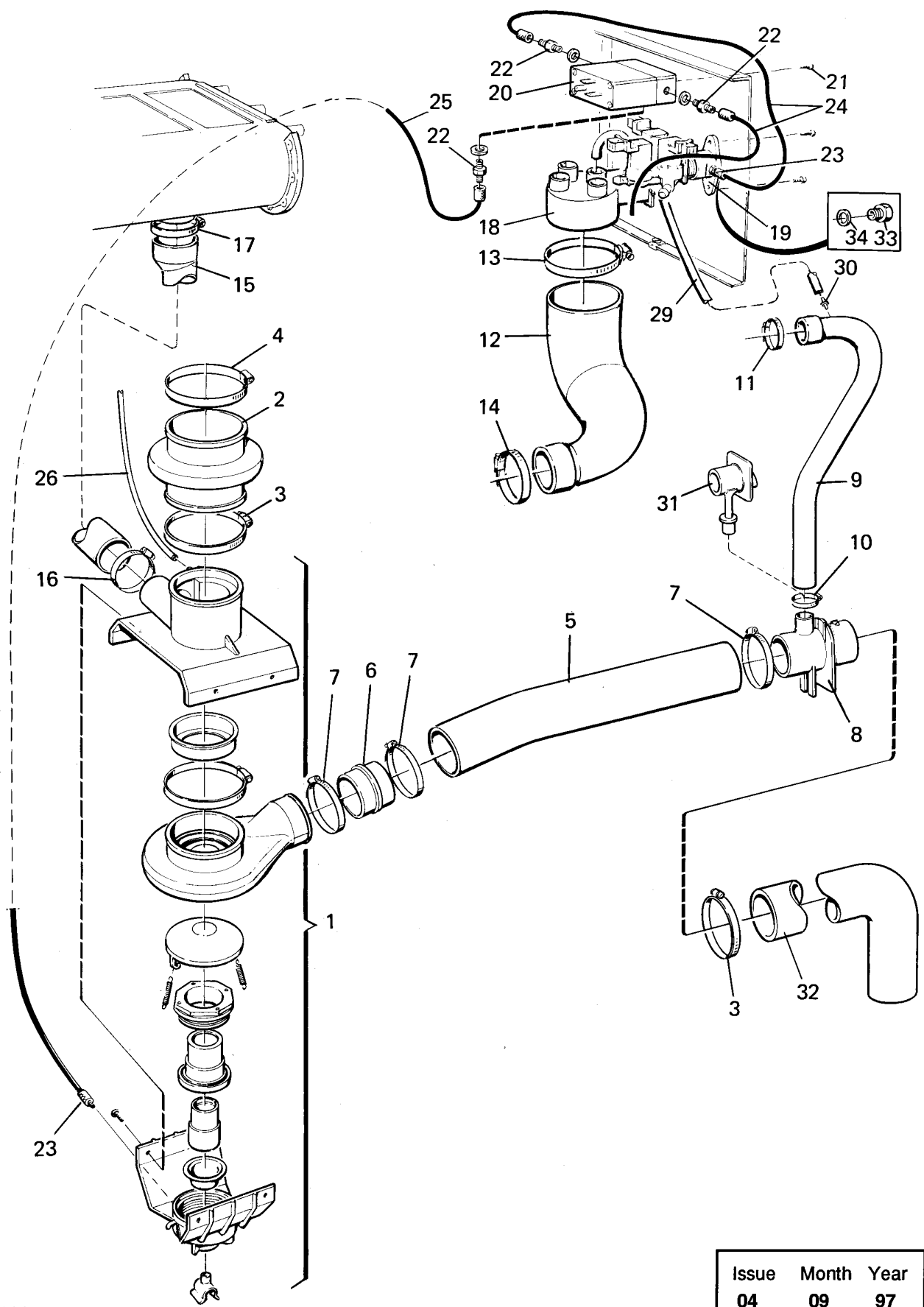
FL185,FL185 HI-TEK,SE185,W185,W185 EMERALD,W185 HI-TEK

Motor and motor suspension

Purgeur et flexible

Illustration Issue Month Year
Schéma Issue Month Year
100994 11 5 2005

Item Article	Quantity Quantité	Art.No Réf. article	Description	Description	Info Info	Notes Remarques
SE185,W185,W185 EMERALD,W185 HI-TEK						
FL185,FL185 HI-TEK						
1	1	1	471 9739-81 Motor	Moteur	1,2	380-415V 50Hz/415-480V 60Hz 3AC
	1	1	471 9739-83 Motor	Moteur	1,2	200-240V 60Hz 3AC
	1	1	471 9739-87 Motor	Moteur	1,2	208-240V 1AC 60Hz
	1	1	472 9911-30 Motor	Moteur	1,2	230V 3AC 60Hz / 380-400V 3AC 60Hz, 346V 3AC 50Hz
2	1	1	471 2078-44 Pulley	Poulie	3	60Hz
	1	1	471 2078-43 Pulley	Poulie	3	50Hz
3	1	1	471 7701-54 V-belt	Courroie trapézoïdale	1,2	SET OF 2
4	2	2	438 4049-01 Damper	Amortisseur	3	
5	2	2	438 0014-01 Bracket	Pièce de retenue	3	
6	1	1	725 2380-61 Screw	Vis	3	M6SF-TT 6X50
7	1	1	438 0016-03 Pipe	Tube	3	-92/2567
	1	1	438 0016-06 Pipe	Tube	3	92/2568-
8	2	2	471 8502-24 Washer	Rondelle	3	12x35
9	2	2	471 7867-01 Pin	Goupille/broche	3	
10	2	2	728 8362-01 Screw	Vis	3	SK6SS 6X8
11	2	1	438 0298-02 Spacer	Entretoise	3	
12		1	725 2370-61 Screw	Vis	3	M6SF 6X20



100995

Issue	Month	Year
04	09	97

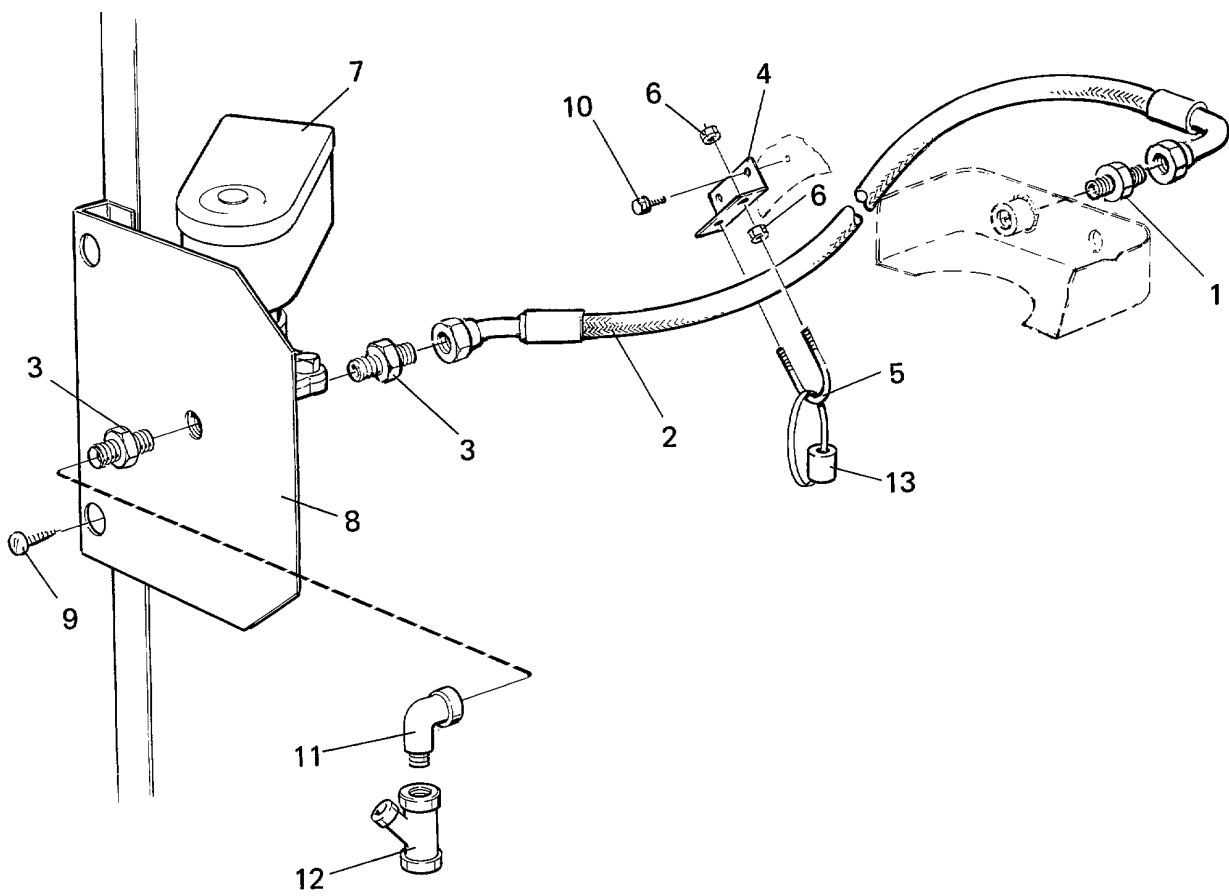
FL185,FL185 HI-TEK,SE185,W185,W185 EMERALD,W185 HI-TEK

Drain valve and hoses

Soupape d'échappement et flexible

Illustration Issue Month Year
Schéma Issue Month Year
100995/1 11 4 2009

Item Article	Quantity Quantité	Art.No Réf. article	Description	Description	Info Info	Notes Remarques
SE185,W185,W185 EMERALD,W185 HI-TEK						
FL185,FL185 HI-TEK						
1	1	1	438 0093-01	Drain valve	Vanne de vidange	1,2 Complete Complete See group US8107
	1	1	472 8754-10	Drain valve	Vanne de vidange	1,2 230V Complete
	1	1	472 8754-11	Drain valve	Vanne de vidange	1,2 100V 50Hz,120V 60Hz Complete
2	1	1	471 2904-01	Connection	Flexible caoutchouc	1,2
3	1	1	736 2849-51	Hose clamp	Attache flexible	3 Ø77-93
4	1	1	736 2852-51	Hose clamp	Attache flexible	3 Ø93-110
5	4	4	438 0278-01	Hose	Flexible	1,2
6	4	4	438 0083-01	Joint sleeve	Couvre-joint	3
7	3	3	736 2846-51	Hose clamp	Attache flexible	3 Ø73-83
8	1	1	438 0084-01	Connection	Flexible caoutchouc	3 -93/4081
	1	1	438 0084-03	Drain pipe connection	Raccord de vidange	3 93/4082-
9	1	1	438 0384-01	Hose	Flexible	1,2 -93/4081
	1	1	438 0279-01	Hose	Flexible	1,2 93/4082-
10	1	1	736 2831-51	Hose clamp	Attache flexible	3 Ø36-42
11	1	1	736 2840-51	Hose clamp	Attache flexible	3 Ø50-63
12	1	1	438 0277-01	Hose	Flexible	1,2
13	1	1	736 2849-51	Hose clamp	Attache flexible	3 Ø77-93
14	1	1	736 2840-51	Hose clamp	Attache flexible	3 Ø50-63
15	1	1	438 4863-06	Hose	Flexible	1,2
16	1	1	736 2834-51	Hose clamp	Attache flexible	3 Ø38-48
17	1	1	436 2840-51			3
18	1	1	471 4516-03	Air inlet	Prise d'air	3
19	1	1	438 0056-04	Nipple	Raccord	3 White, 3/4", USA
	1	1	438 0056-03	Nipple	Raccord	3 Black, 3/4"
20	1	1	471 8243-05	Solenoid valve	Electrovanne	1,2 208-240V 60Hz
	1	1	471 8243-06	Solenoid valve	Electrovanne	1,2 120V 60Hz
	1	1	471 8243-04	Solenoid valve	Electrovanne	1,2 230V 50Hz
21	2	2	471 8341-13	Screw	Vis	3 MRT 4X10
22	3	3	471 8688-12	Nipple	Raccord	3 1/4"
23	2	2	471 8688-13	Nipple	Raccord	3 1/8"
24	1	1	471 8139-01	Hose	Flexible	1,2 L=330 L=250
25	1	1	471 8139-04	Hose	Flexible	1,2 L=1650 L=1450
26	1	1	471 2425-28	Hose	Flexible	1,2 L=1180
27						Not used
28						Not used
29	1	1	471 2449-72	Hose	Flexible	1
30	1	1	471 2432-25	Hose nipple	Mamelon de flexible	1
31						Not used
32	1	1	471 4835-01	Drain hose	Flexible de vidange	1 Ø75
33	1	1	741 5109-25	Plug	Fiche	3
34	1	1	740 4207-00	O-ring	Joint torique	3



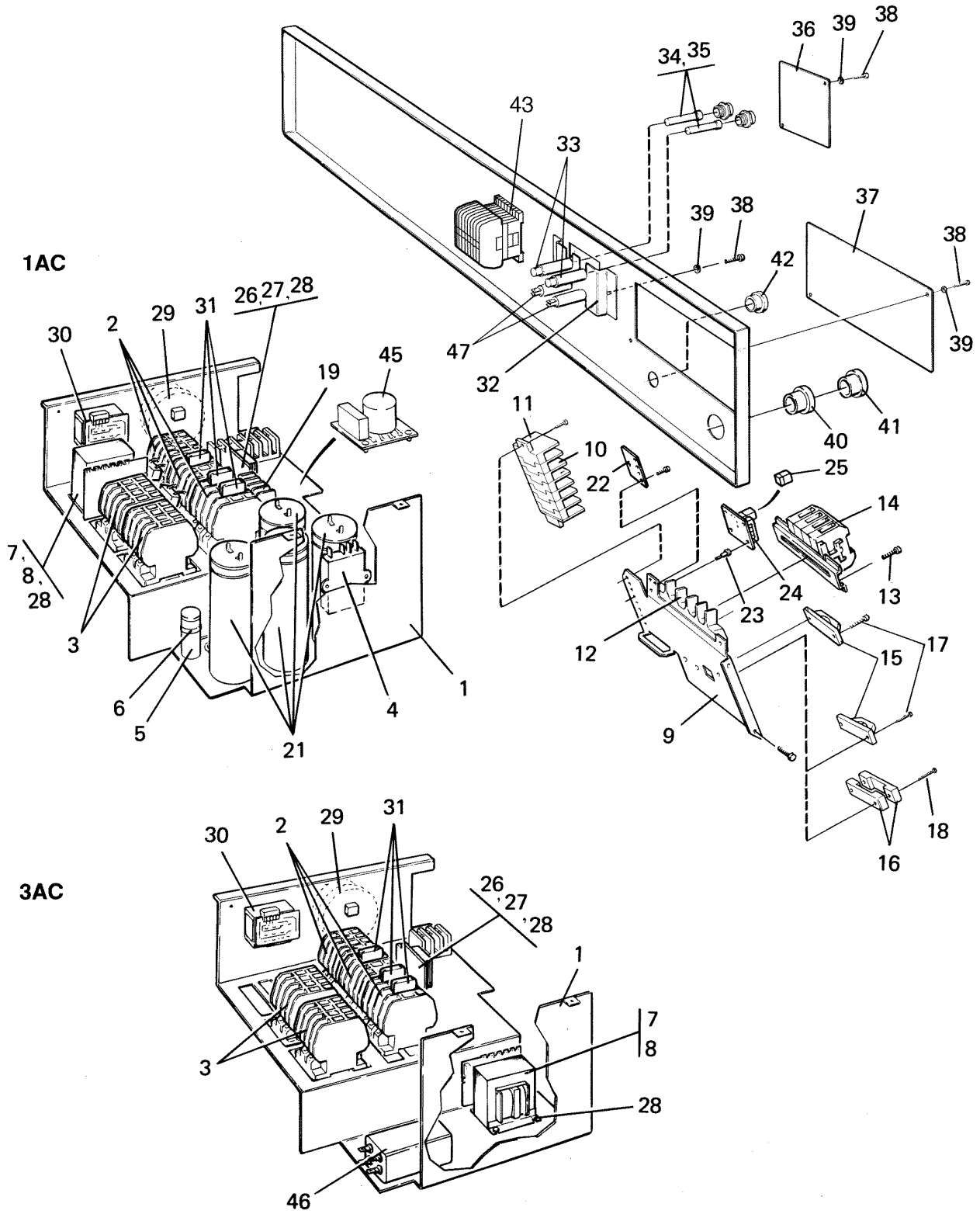
FL185,FL185 HI-TEK,SE185,W185,W185 EMERALD,W185 HI-TEK

Steam injector

Injecteur de vapeur

Illustration Issue Month Year
Schéma Issue Month Year
100996 7 8 2001

Item Article	Qua. Qua.	Art.No Réf. article	Description	Description	Info Info	Notes Remarques
1	1	438 0168-02	Steam injector	Injecteur de vapeur	3	
2	1	471 8126-16	Hose	Flexible	1,2	L=900
3	2	471 8670-03	Nipple	Raccord	3	
4	1	438 0330-01	Bracket	Support de montage	3	
5	1	471 8308-07	Clamp	Bride de fixation	3	
6	4	731 2318-01	Nut	Écrou	3	M8
7	1	471 8279-03	Valve	Electrovanne	1,2	50/60 Hz
	1	471 8279-08	•Repair kit	•Kit de réparation	1,2	
8	1	438 0167-01	Plate	Plaque	3	
9	5	729 9342-61	Screw	Vis	3	4,2X13
10	2	725 2366-61	Screw	Vis	3	M6SF 6X12
11	1	471 9030-34	Angle	Coude	3	
12	1	744 3113-06	Filter	Filtre	3	1/2"
13	1	438 0341-02	Washer	Rondelle	3	PRESSURE 6-7 BAR, 92/3404-



Issue	Month	Year
08	01	06

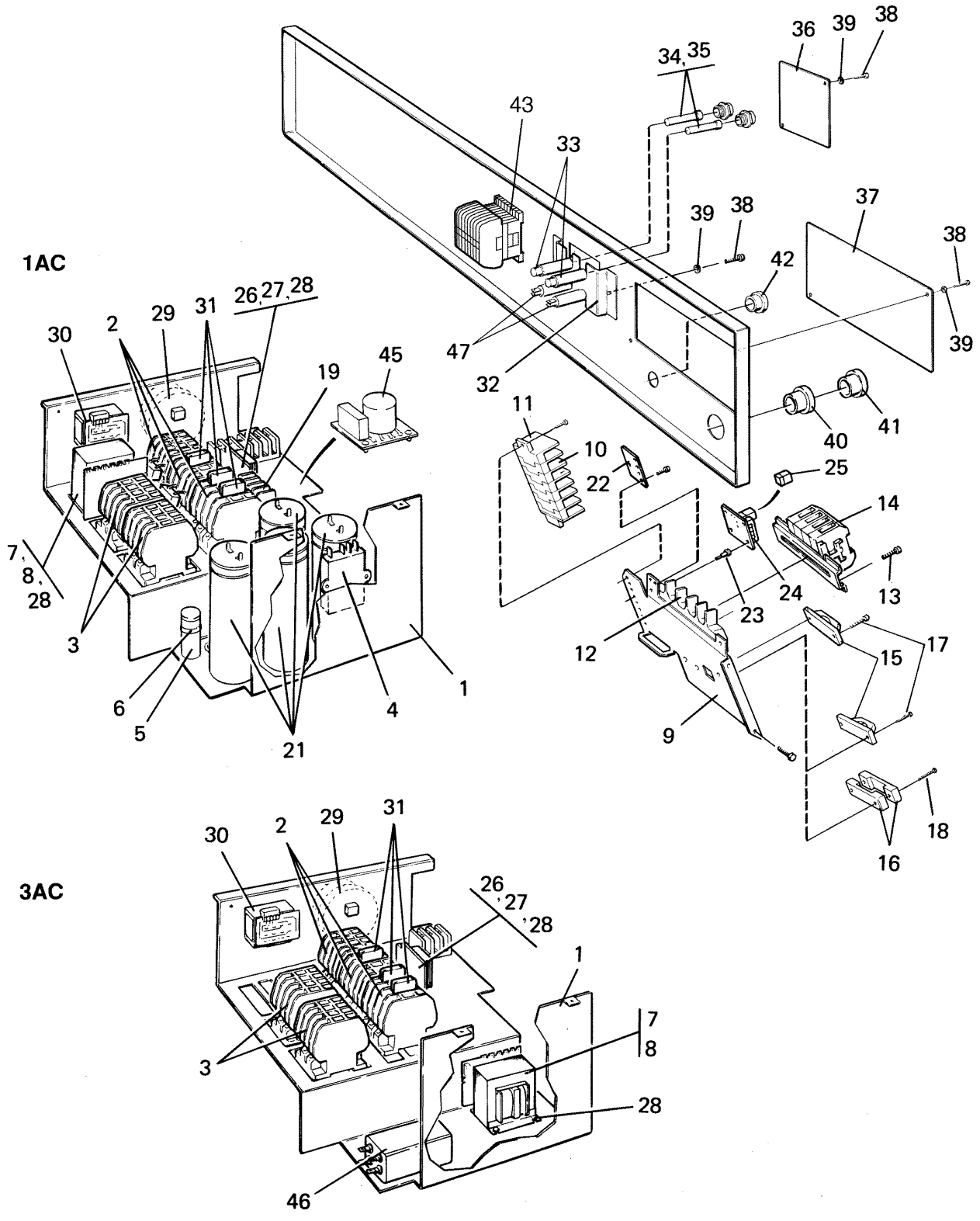
SE185,W185

Electric components

Composants électriques

Illustration Issue Month Year
Schéma Issue Month Year
100949 15 3 2003

Item Article	Qua. Qua.	Art.No Réf. article	Description	Description	Info Info	Notes Remarques
1	1	438 0353-01	Mounting plate	Plaque de montage	3	
2	RQ	438 9636-02	Contacteur	Relais	1,2	50Hz K2-12
	RQ	438 9636-03	Contacteur	Relais	1,2	60Hz K2-12
	RQ	438 9636-73	Contacteur	Relais	1,2	60Hz
3	2	438 9636-02	Contacteur	Relais	1,2	50Hz K2-12
	2	438 9636-03	Contacteur	Relais	1,2	60Hz K2-12
4	1	472 9902-22	Relay	Relais	1,2	-92/1656
5	1	471 9566-05	Sinpac	Sinpac	1,2	208-240V 92/1657-
	1	471 9566-01	Relay	Relais	1,2	120V 92/1657-
6	1	762 9112-07	Strap	Bande	3	
7	1	471 9565-03	Transformer	Transformateur	1	PRIM.200,346,380,400,480V
8	1	762 8151-91	•Fuse	•Porte-fusible	1,2	5X20MM, 0,315A
9	1	438 0354-01	Mounting plate	Plaque de montage	3	
	1	438 0354-02	Mounting plate	Plaque de montage	3	El. heated
10	7	471 8760-01	Block	Cale	3	
11	1	471 8760-02	End support	Support	3	
12	1	471 8759-01	Block	Cale	3	
13	7	471 8342-13	Screw	Vis	3	MRT-TT 4X10
14	1	471 8762-01	Block	Cale	3	3N AC El. heated
15	1	471 7865-03	Cable clip	Pièce fixation câbles	3	
16	2	471 9006-61	Cable clamp	Fixation câbles	3	
17	2	471 8346-06	Screw	Vis	3	3,5X25
18	2	471 8341-19	Screw	Vis	3	M4X40
19	1	471 9604-05	Mains current breaker	Disjoncteur	1,2	
20						Not used
21	RQ	471 9525-20	Capacitor	Condensateur	1	20MF
	RQ	471 9525-21	Capacitor	Condensateur	1	50MF
	RQ	471 9525-28	Capacitor	Condensateur	1	160 MF
	RQ	471 9525-23	Capacitor	Condensateur	1	200MF
22	1	438 0439-01	Bracket	Pupitre	3	
23	3	471 7958-01	Support	Support	3	
24	1	438 3058-01	Printed circuit board	Carte circuit	1,2	
25	1	471 9649-01	Relay	Relais	1,2	
26	1	471 9558-03	Transformer	Transformateur	1,2	MP
	1	471 9559-03	Transformer	Transformateur	1,2	1" W185 HI-TEK
27	1	472 9913-43	Clamp	Bride de fixation	3	Kit 25 pcs
28	4	471 8342-13	Screw	Vis	3	MRT-TT 4X10
29	1	471 8859-02	Level control	Réglage de niveau	1,2	W185
	1	471 8859-04	Level control	Réglage de niveau	1,2	SE185
30	1	471 8803-24	Thermostat	Thermostat	1,2	
31	RQ	767 5102-92	Auxiliary contact	Contact de secours	1,2	HN01 Red HN-01
	RQ	767 5802-09	Auxiliary contact	Contact de secours	1,2	Green HA-01
32	1	438 0355-01	Mounting plate	Plaque de montage	3	
33	RQ	471 8756-51	Insert	Insertion	3	5X20MM
34	RQ	471 8756-51	Insert	Insertion	1	5X20MM
	RQ	471 8756-52	Insert	Insertion	1	6,3X32MM,60Hz -96/16104
35	RQ	471 8750-11	Fuse	Porte-fusible	1,2	1,25A
	RQ	471 9027-85	Fuse	Porte-fusible	1,2	60Hz -96/16104
36	1	438 0358-02	Cover	Couvercle	3	
38	6	471 8340-23	Screw	Vis	3	RTS 4,2X13
39	6	735 2136-01	Lock washer	Rondelle d'arrêt	3	AZ 4,3
40	1	471 8708-01	Plug	Fiche	3	Ø37MM -94/55602
	1	762 1215-10	Grommet	Oeillet	3	Ø48/35mm 94/55603-
41	1	471 7967-02	Grommet	Oeillet	3	94/55603-
42	RQ	471 7967-01	Bushing	Douille	3	
43	1	471 9636-02	Contacteur	Relais	1,2	60Hz
	1	471 9636-03	Contacteur	Relais	1,2	50Hz
44	2	471 8346-05	Screw	Vis	3	
45						Not used



Issue	Month	Year
08	01	06

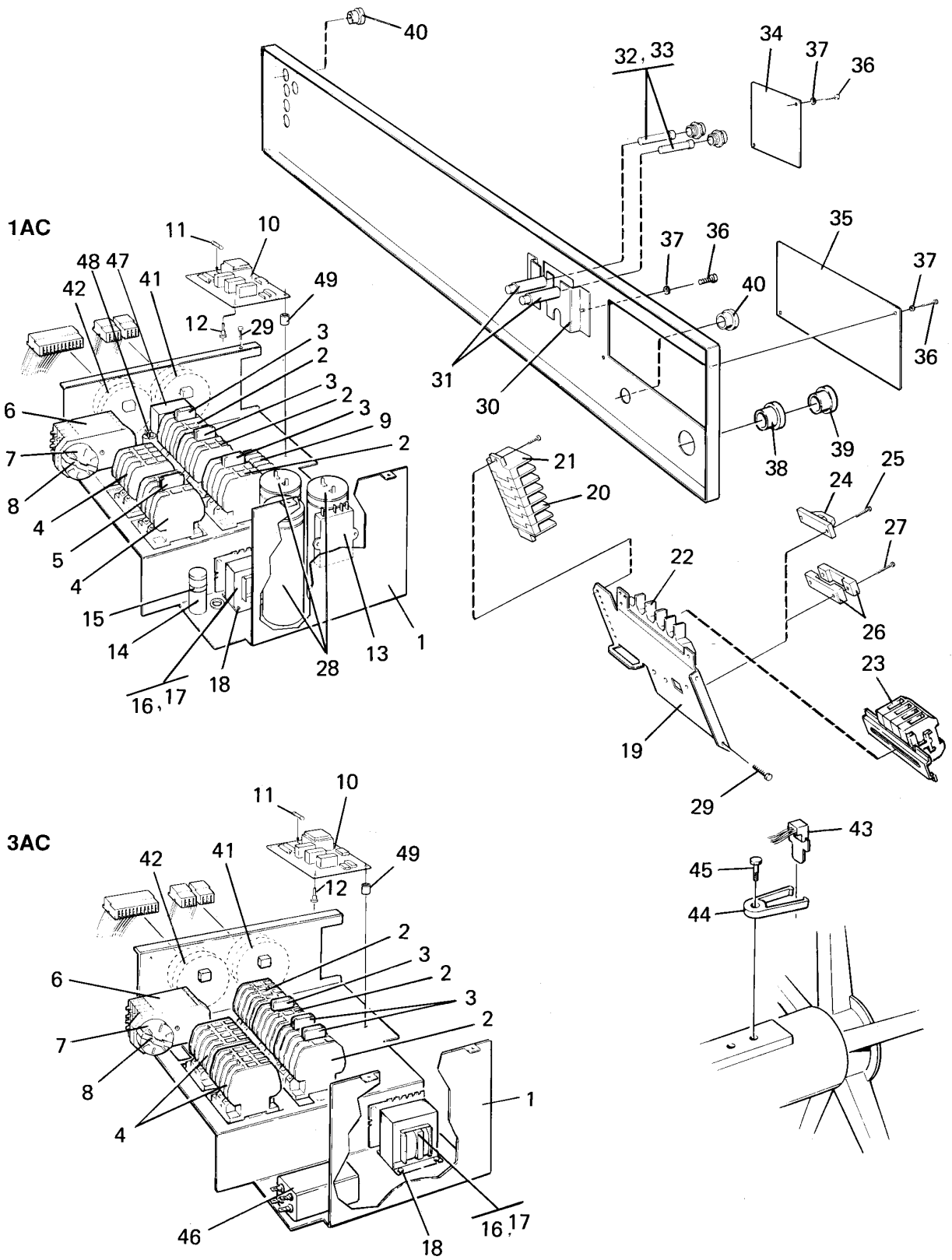
SE185,W185

Electric components

Composants électriques

Illustration	Issue	Month	Year
Schéma	Issue	Month	Year
100949	15	3	2003

Item Article	Qua. Qua.	Art.No Réf. article	Description	Description	Info Info	Notes Remarques
46	1	471 9529-05	LC-filter	Filtre LC	1	3AC



1AC

3AC

Issue	Month	Year
06	09	95

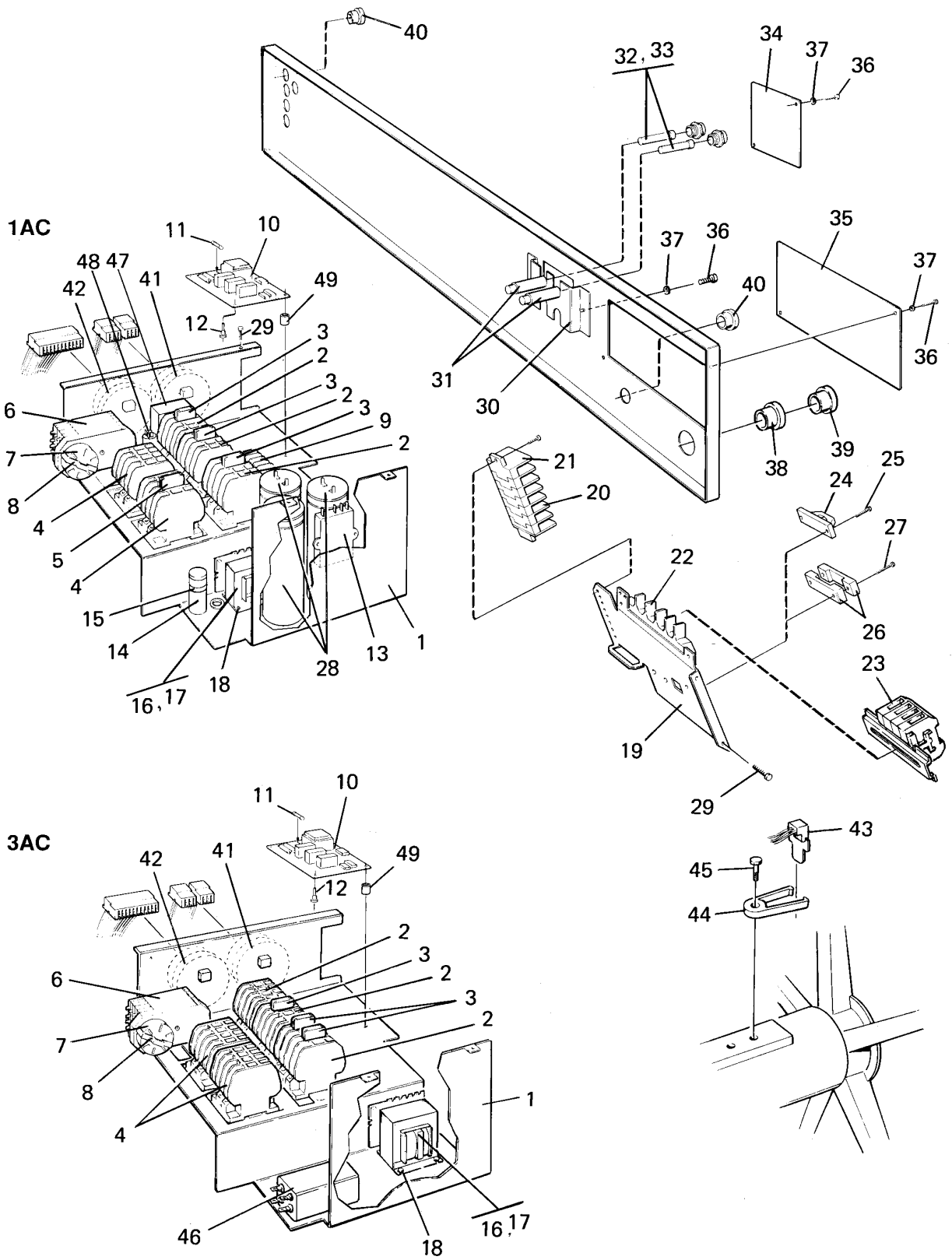
FL185

Electric components

Composants électriques

Illustration Issue Month Year
Schéma Issue Month Year
100997 9 3 2003

Item Article	Qua. Qua.	Art.No Réf. article	Description	Description	Info Info	Notes Remarques
1	1	438 0353-01	Mounting plate	Plaque de montage	3	
2	RQ	438 9636-02	Contacteur	Relais	1,2	50Hz K2-12
	RQ	438 9636-03	Contacteur	Relais	1,2	60Hz K2-12
	RQ	438 9636-73	Contacteur	Relais	1,2	60Hz
3	RQ	767 5101-92	Auxiliary contact	Contact de secours	1,2	HN10 Green
	RQ	767 5102-92	Auxiliary contact	Contact de secours	1,2	HN01 Red HN-01
	RQ	767 5802-09	Auxiliary contact	Contact de secours	1,2	Green HA-01
4	RQ	438 9636-02	Contacteur	Relais	1,2	50Hz K2-12
	RQ	438 9636-03	Contacteur	Relais	1,2	60Hz K2-12
5	2	471 9672-01	Auxiliary contact	Contact de secours	1,2	
6	1	471 8954-03	Reverser	Inverseur	1,2	50Hz
	1	471 8954-04	Reverser	Inverseur	1,2	60Hz
7	1	471 6661-51	•Motor	•Moteur	1,2	NEW TIMER 230V 60Hz
8	1	471 6661-53	•Clamp	•Bride de fixation	3	
9	1	471 9604-05	Mains current breaker	Disjoncteur	1,2	
10	1	472 9902-73	Speed control	Contrôle vitesse	1,2	Kit -94/7062
	1	472 9902-75	Speed control	Contrôle vitesse	1,2	Kit 94/7063-95/12624
	1	471 8983-31	Speed control	Contrôle vitesse	1,2	95/12625-
11	1	762 8139-91	Fuse	Porte-fusible	1,2	0,08A
12	4	471 7958-01	Support	Support	3	
13	1	472 9902-22	Relay	Relais	1,2	-92/1656
14	1	471 9566-05	Sinpac	Sinpac	1,2	208-240V 92/1657-
	1	471 9566-01	Relay	Relais	1,2	120V 92/1657-
15	1	762 9112-07	Strap	Bande	3	
16	1	471 9565-03	Transformer	Transformateur	1	PRIM.200,346,380,400,480V
17	1	762 8151-91	•Fuse	•Porte-fusible	1,2	5X20MM, 0,315A
18	4	471 8342-13	Screw	Vis	3	MRT-TT 4X10
19	1	438 0354-01	Mounting plate	Plaque de montage	3	
	1	438 0354-02	Mounting plate	Plaque de montage	3	El. heated
20	7	471 8760-01	Block	Cale	3	
21	1	471 8760-02	End support	Support	3	
22	1	471 8759-01	Block	Cale	3	
23	1	471 8762-01	Block	Cale	3	3N AC
24	1	471 7865-03	Cable clip	Pièce fixation câbles	3	
25	2	471 8346-06	Screw	Vis	3	3,5X25
26	1	471 7859-11	Clamp	Attache	3	Lower
	1	471 7859-16	Clamp	Attache	3	Upper part Upper
27	2	471 8341-19	Screw	Vis	3	M4X40
28	RQ	471 9525-20	Capacitor	Condensateur	1	20MF
	RQ	471 9525-21	Capacitor	Condensateur	1	50MF
	RQ	471 9525-28	Capacitor	Condensateur	1	160 MF
	RQ	471 9525-23	Capacitor	Condensateur	1	200MF
29	7	471 8342-13	Screw	Vis	3	MRT-TT 4X10
30	1	438 0355-01	Mounting plate	Plaque de montage	3	
31	RQ	471 8756-01	Fuse holder	Porte-fusible	1	5X20 MM
32	RQ	471 8756-51	Insert	Insertion	1	5X20MM
	RQ	471 8756-52	Insert	Insertion	1	6,3X32MM,60Hz -96/16104
33	RQ	471 8750-11	Fuse	Porte-fusible	1,2	1,25A
	RQ	471 9027-85	Fuse	Porte-fusible	1,2	60Hz -96/16104
34	1	438 0358-02	Cover	Couvercle	3	
35	1	438 0359-01	Cover	Couvercle	3	
36	6	471 8340-23	Screw	Vis	3	RTS 4,2X13
37	6	735 2136-01	Lock washer	Rondelle d'arrêt	3	AZ 4,3
38	1	471 8708-01	Plug	Fiche	3	Ø37MM -94/8016
	1	762 1215-10	Grommet	Oeillet	3	Ø48/35mm 94/8017-
39	1	471 7967-02	Grommet	Oeillet	3	
40	6	471 7967-01	Bushing	Douille	3	
41	1	471 8859-51	Level control	Réglage de niveau	1,2	
42	1	471 8859-06	Level control	Réglage de niveau	1,2	



FL185

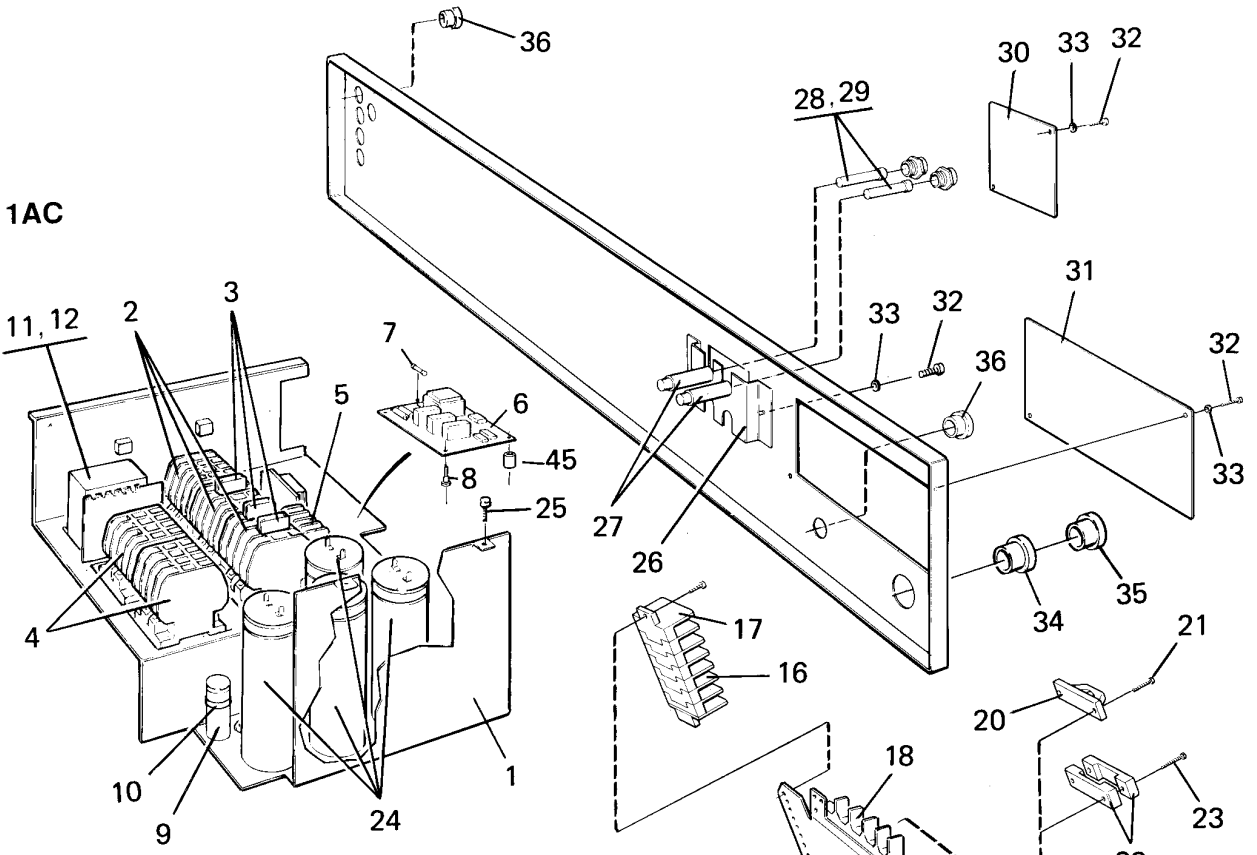
Electric components

Composants électriques

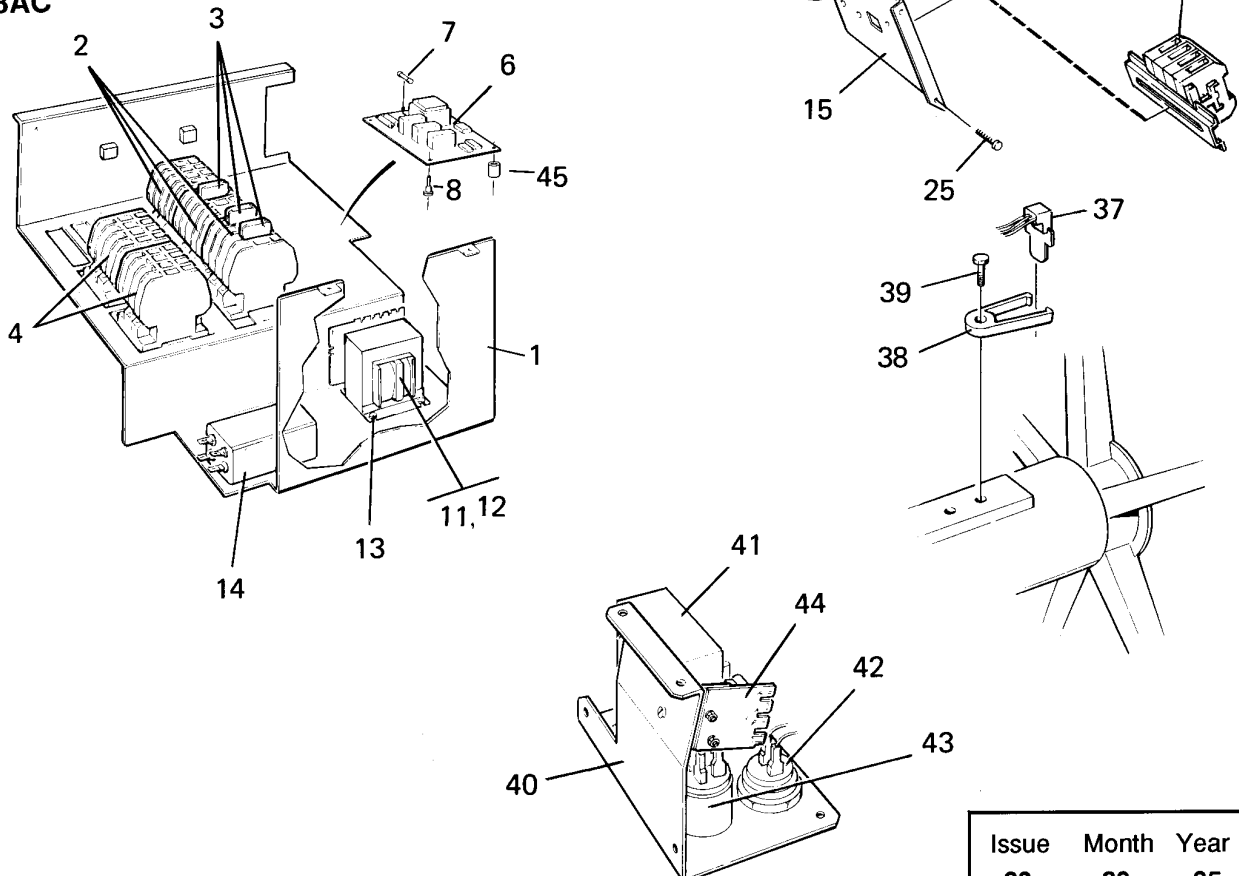
Illustration Issue Month Year
Schéma Issue Month Year
100997 9 3 2003

Item Article	Qua. Qua.	Art.No Réf. article	Description	Description	Info Info	Notes Remarques
43	1	471 8985-01	Sensor	Capteur	1,2	
44	1	438 0363-01	Bracket	Pièce de retenue	3	
45	1	725 2370-61	Screw	Vis	3	M6SF 6X20
46	1	471 9529-05	LC-filter	Filtre LC	1	
47	1	471 9649-01	Relay	Relais	1,2	95/11024-
48	1	471 9649-02	Socket	Douille	1	95/11024-
49	1	471 8526-01	Spacer	Entretoise	3	

1AC



3AC



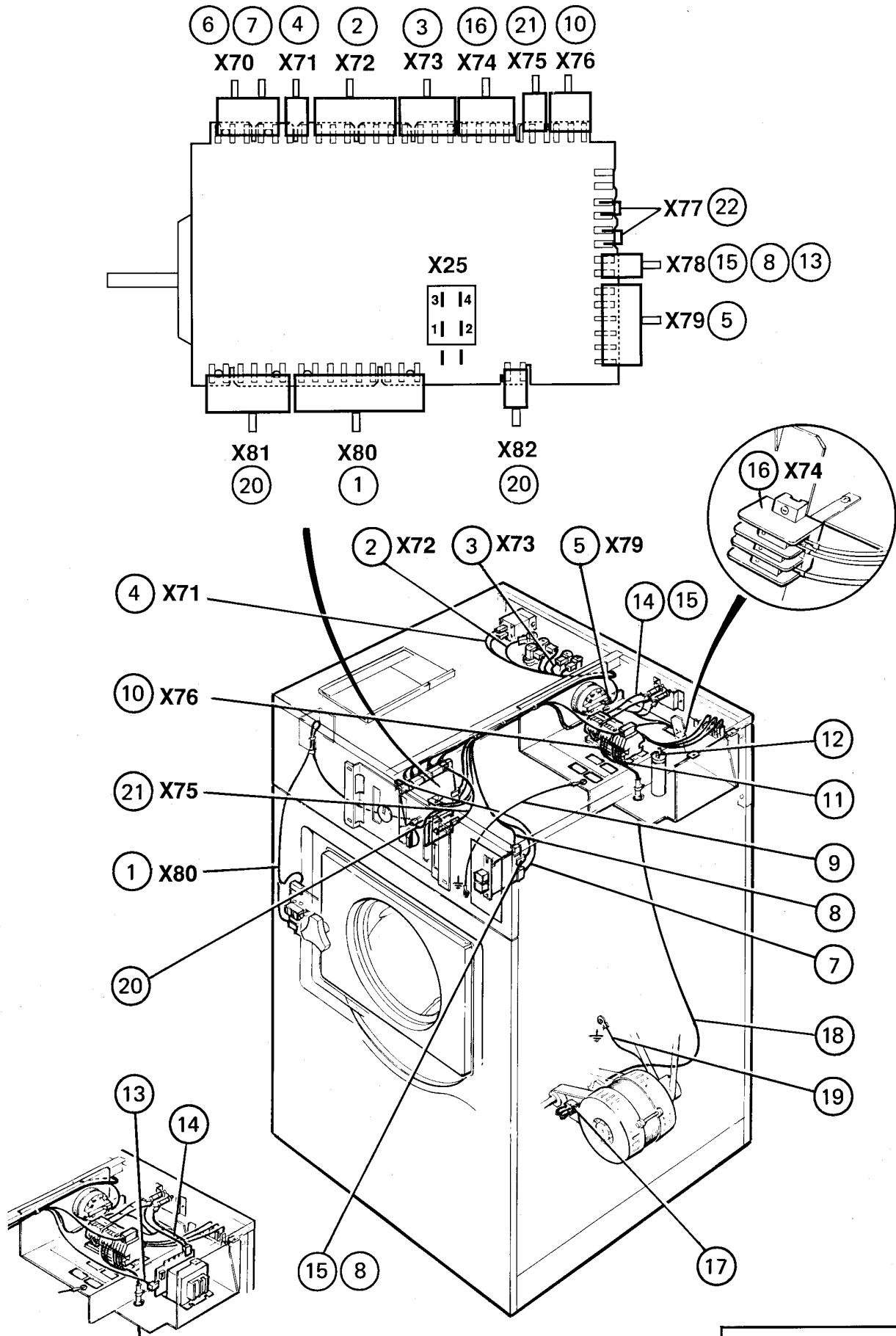
FL185 HI-TEK

Electric components

Composants électriques

Illustration Issue Month Year
Schéma Issue Month Year
101336 6 3 2003

Item Article	Qua. Qua.	Art.No Réf. article	Description	Description	Info Info	Notes Remarques
1	1	438 0353-01	Mounting plate	Plaque de montage	3	
2	RQ	438 9636-02	Contacteur	Relais	1,2	50Hz K2-12
	RQ	438 9636-03	Contacteur	Relais	1,2	60Hz K2-12
	RQ	438 9636-73	Contacteur	Relais	1,2	60Hz
3	RQ	767 5101-92	Auxiliary contact	Contact de secours	1,2	HN10 Green
	RQ	767 5102-92	Auxiliary contact	Contact de secours	1,2	HN01 Red HN-01
	RQ	767 5802-09	Auxiliary contact	Contact de secours	1,2	Green HA-01
4	RQ	438 9636-02	Contacteur	Relais	1,2	50Hz K2-12
	RQ	438 9636-03	Contacteur	Relais	1,2	60Hz K2-12
5	1	471 9604-05	Mains current breaker	Disjoncteur	1,2	
6	1	472 9902-72	Speed control	Contrôle vitesse	1,2	Kit -95/12624
	1	471 8983-31	Speed control	Contrôle vitesse	1,2	95/12625-
7	1	762 8139-91	•Fuse	•Porte-fusible	1,2	0,08A
8	4	471 7958-01	Support	Support	3	
9	1	471 9566-05	Sinpac	Sinpac	1,2	208-240V
	1	471 9566-01	Relay	Relais	1,2	120V
10	1	762 9112-07	Strap	Bande	3	
11	1	471 9565-03	Transformer	Transformateur	1	PRIM.200,346,380,400,480V
12	1	762 8151-91	•Fuse	•Porte-fusible	1,2	5X20MM, 0,315A
13	4	471 8342-13	Screw	Vis	3	MRT-TT 4X10
14	1	471 9529-05	LC-filter	Filtre LC	1	
15	1	438 0354-01	Mounting plate	Plaque de montage	3	
	1	438 0354-02	Mounting plate	Plaque de montage	3	El. heated
16	7	471 8760-01	Block	Cale	3	
17	1	471 8760-02	End support	Support	3	
18	1	471 8759-01	Block	Cale	3	
19	1	471 8762-01	Block	Cale	3	3N AC
20	1	471 7865-03	Cable clip	Pièce fixation câbles	3	
21	2	471 8346-06	Screw	Vis	3	3,5X25
22	1	471 7859-11	Clamp	Attache	3	Lower
	1	471 7859-16	Clamp	Attache	3	Upper part Upper
23	2	471 8341-19	Screw	Vis	3	M4X40
24	RQ	471 9525-20	Capacitor	Condensateur	1	20MF
	RQ	471 9525-21	Capacitor	Condensateur	1	50MF
	RQ	471 9525-23	Capacitor	Condensateur	1	200MF
25	7	471 8342-13	Screw	Vis	3	MRT-TT 4X10
26	1	438 0355-01	Mounting plate	Plaque de montage	3	
27	RQ	471 8756-01	Fuse holder	Porte-fusible	1	5X20 MM
28	RQ	471 8756-51	Insert	Insertion	1	5X20MM
	RQ	471 8756-52	Insert	Insertion	1	6,3X32MM,60Hz -96/16104
29	RQ	471 8750-11	Fuse	Porte-fusible	1,2	1,25A
	RQ	471 9027-85	Fuse	Porte-fusible	1,2	60Hz -96/16104
30	1	438 0358-02	Cover	Couvercle	3	
31	1	438 0359-01	Cover	Couvercle	3	
32	6	471 8340-23	Screw	Vis	3	RTS 4,2X13
33	6	735 2136-01	Lock washer	Rondelle d'arrêt	3	AZ 4,3
34	1	471 8708-01	Plug	Fiche	3	Ø37MM -94/8016
	1	762 1215-10	Grommet	Oeillet	3	Ø48/35mm 94/8017-
35	1	471 7967-01	Bushing	Douille	3	
36	6	471 7967-01	Bushing	Douille	3	
37	1	471 8985-01	Sensor	Capteur	1,2	
38	1	438 0363-01	Bracket	Pièce de retenue	3	
39	1	725 2370-61	Screw	Vis	3	M6SF 6X20
40	1	438 0425-01	Plate	Plaque	3	
41	1	471 9550-15	Transformer	Transformateur	1	208/220/240/480V
42	1	471 9653-03	Buzzer	Console	1	
43	1	471 9529-10	Mains filter	Filtre de filet	1	208-240V
44	1	471 7473-21	Printed circuit board	Carte circuit	1,2	94/9532-
45	1	471 8626-01	Spacer	Entretoise	3	



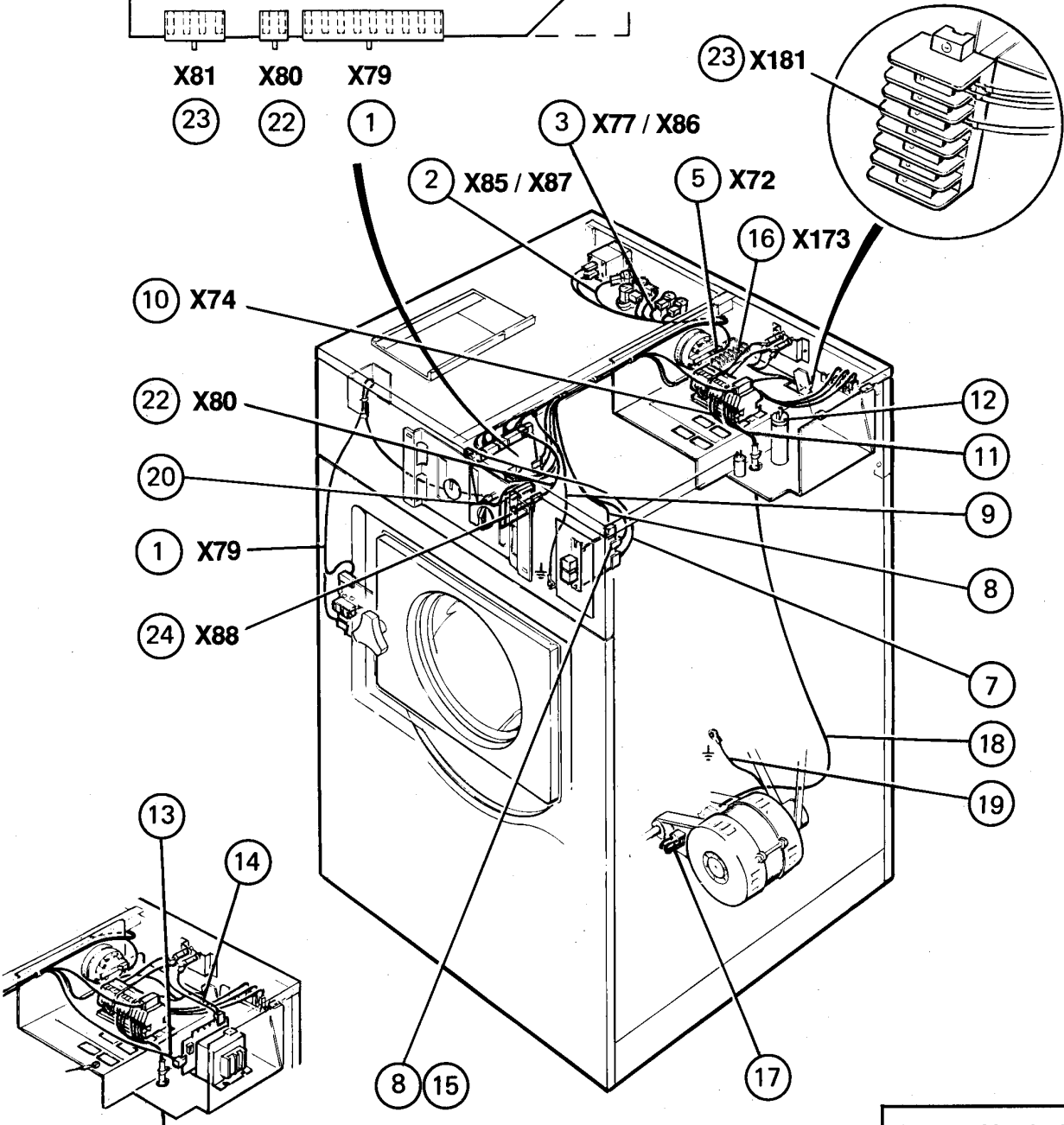
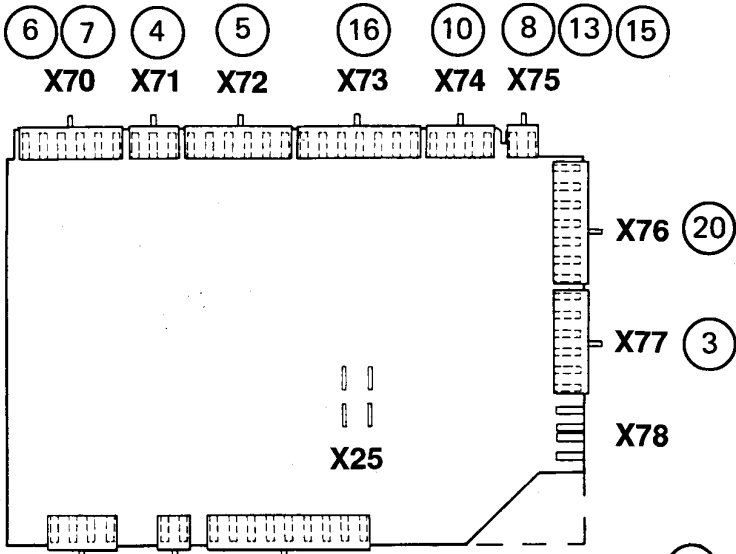
W185 -96/14109

Cables P03

Câblage P03

Illustration Issue Month Year
Schéma Issue Month Year
101146 3 7 1996

Item Article	Qua. Qua.	Art.No Réf. article	Description	Description	Info Info	Notes Remarques
1	1	438 3010-10	Cables	Câble	3	DOOR LOCK X80 -93/5065
	1	438 3089-03	Cables	Câble	3	DOOR LOCK X80 93/5066-
2	1	438 3019-50	Cables	Câble	3	COLD WATER,X72
3	1	438 3019-51	Cables	Câble	3	HOT WATER,X73
4	1	438 3019-29	Cables	Câble	3	DRAIN VALVE,X71 WATER CONTR.
	1	438 3019-68	Cables	Câble	3	DRAIN VALVE,X71 EL. CONTR.
5	1	438 3086-18	Cables	Câble	3	LEVEL CONTROL,X79
6	1	438 3019-35	Cables	Câble	3	COIN-METER GREENWALD, X70
7	1	438 3030-43	Cables	Câble	3	MANUAL START,X70
8	1	438 3031-35	Cables	Câble	3	MANUAL START,X78
9	1	438 3014-03	Cables	Câble	3	GROUND FOR GREENWALD
10	1	438 3014-03	Cables	Câble	3	MOTOR-RELAY,X76
11	1	438 3014-53	Cables	Câble	3	MOTOR-RELAY
12	1	438 3010-13	Cables	Câble	3	EXTRA CAPACITOR
13	1	438 3082-12	Cables	Câble	3	2-POLE TRAF0 IN,X80 TRAF0, X78
14	1	438 3009-11	Cables	Câble	3	2-POLE TRAF0 Trafo
15	1	438 3019-19	Cables	Câble	3	2-POLE IN,X80 X78
16	1	438 3019-04	Cables	Câble	3	OPTIONS,X74
17	1	471 8748-01	Cables	Câble	3	230V PLUG MOTOR
	1	471 8748-02	Cables	Câble	3	400V PLUG MOTOR
18	1	438 3014-21	Cables	Câble	3	MOTOR START RELAY, -93/4779
	1	438 3014-22	Cables	Câble	3	MOTOR START RELAY, 93/4780-
	1	438 3014-23	Cables	Câble	3	MOTOR 3AC
19	1	438 3019-23	Cables	Câble	3	GROUND MOTOR-FRAME
20	1	438 3031-03	Cables	Câble	3	ROTARY SWITCH,X81,82
21	1	438 3082-15	Cable set	Jeu de câbles	3	PILOT LAMP,X75



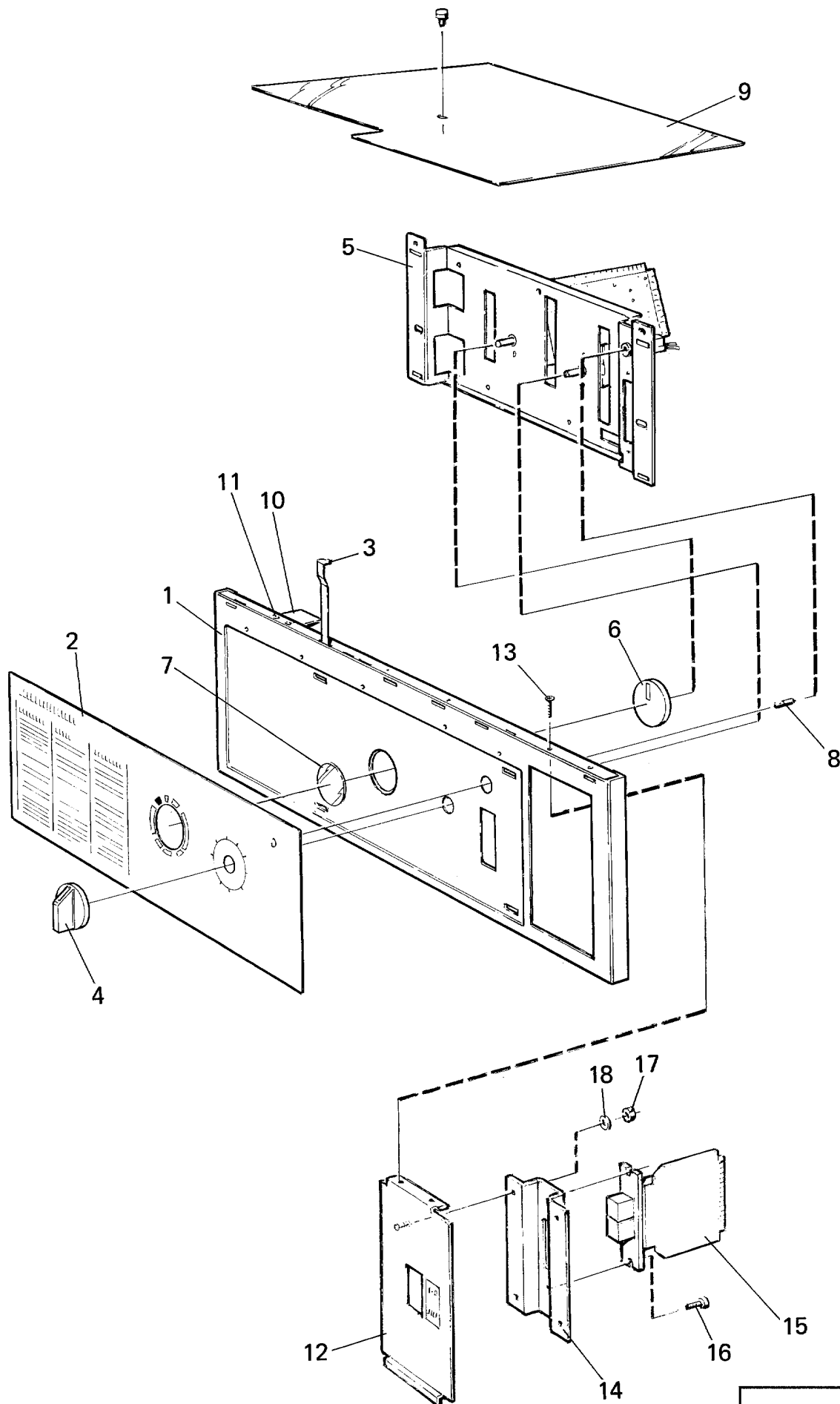
W185 96/14110-

Cables P03

Câblage P03

Illustration Issue Month Year
Schéma Issue Month Year
101409 2 11 1996

Item Article	Qua. Qua.	Art.No Réf. article	Description	Description	Info Info	Notes Remarques
1	1	438 3089-03	Cables	Câble	3	DOOR LOCK X79
2	1	438 3019-77	Cable set	Jeu de câbles	3	Cold/hot water COLD/HOT WATER,POWDER, X87
	1	438 3019-76	Cables	Câble	3	COLD WATER,LIQUID SUPPLY, X8
3	1	438 3086-23	Cable set	Jeu de câbles	3	Hot water HOT WATER, POWDER, X77
	1	438 3019-78	Cables	Câble	3	HOT WATER,LIQUID SUPPLY, X86
4	1	438 3019-29	Cables	Câble	3	DRAIN VALVE,X71 WATER CONTR.
	1	438 3019-68	Cables	Câble	3	DRAIN VALVE,X71 EL. CONTR.
5	1	438 3086-06	Cables	Câble	3	LEVEL CONTROL,X72
6	1	438 3019-35	Cables	Câble	3	COIN-METER GREENWALD, X70
7	1	438 3030-43	Cables	Câble	3	MANUAL START,X70
8	1	438 3031-35	Cables	Câble	3	MANUAL START,X75
9	1	438 3014-03	Cables	Câble	3	GROUND FOR GREENWALD
10	1	438 3014-17	Cables	Câble	3	MOTOR-RELAY,X74
11	1	438 3014-53	Cables	Câble	3	MOTOR-RELAY
12	1	438 3010-13	Cables	Câble	3	EXTRA CAPACITOR
13	1	438 3082-12	Cables	Câble	3	2-POLE TRAF0 IN,X80 TRAF0, X75
14	1	438 3009-11	Cables	Câble	3	2-POLE TRAF0 Trafo
15	1	438 3019-19	Cables	Câble	3	2-POLE IN,X80 X75
16	1	438 3019-73	Cables	Câble	3	OPTIONS,X73
17	1	471 8748-01	Cables	Câble	3	230V PLUG MOTOR
	1	471 8748-02	Cables	Câble	3	400V PLUG MOTOR
18	1	438 3014-22	Cables	Câble	3	MOTOR START RELAY
	1	438 3014-23	Cables	Câble	3	MOTOR 3AC
19	1	438 3019-23	Cables	Câble	3	GROUND MOTOR-FRAME
20	1	438 3087-10	Cable set	Jeu de câbles	3	ROTARY SWITCH,X76
21						Not used
22	1	438 3082-15	Cable set	Jeu de câbles	3	PILOT LAMP,X80
23	1	438 3019-74	Cables	Câble	3	CONNECTION LIQUID SUPPLY, X8
24	1	438 3082-72	Cables	Câble	3	ROTARY SWITCH, X88



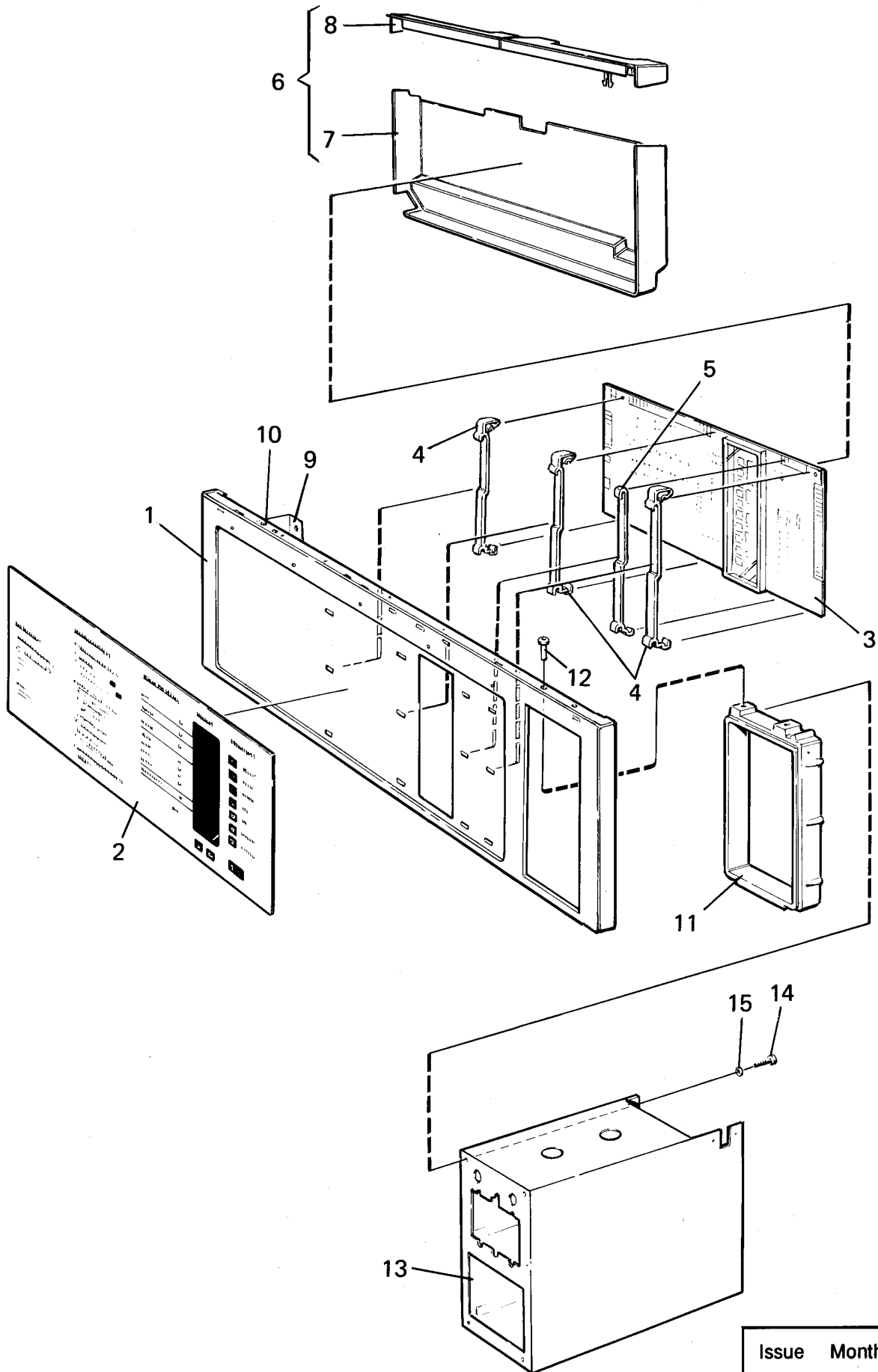
W185

Control panel

Pupitre de commande

Illustration Issue Month Year
Schéma Issue Month Year
100848 9 5 2010

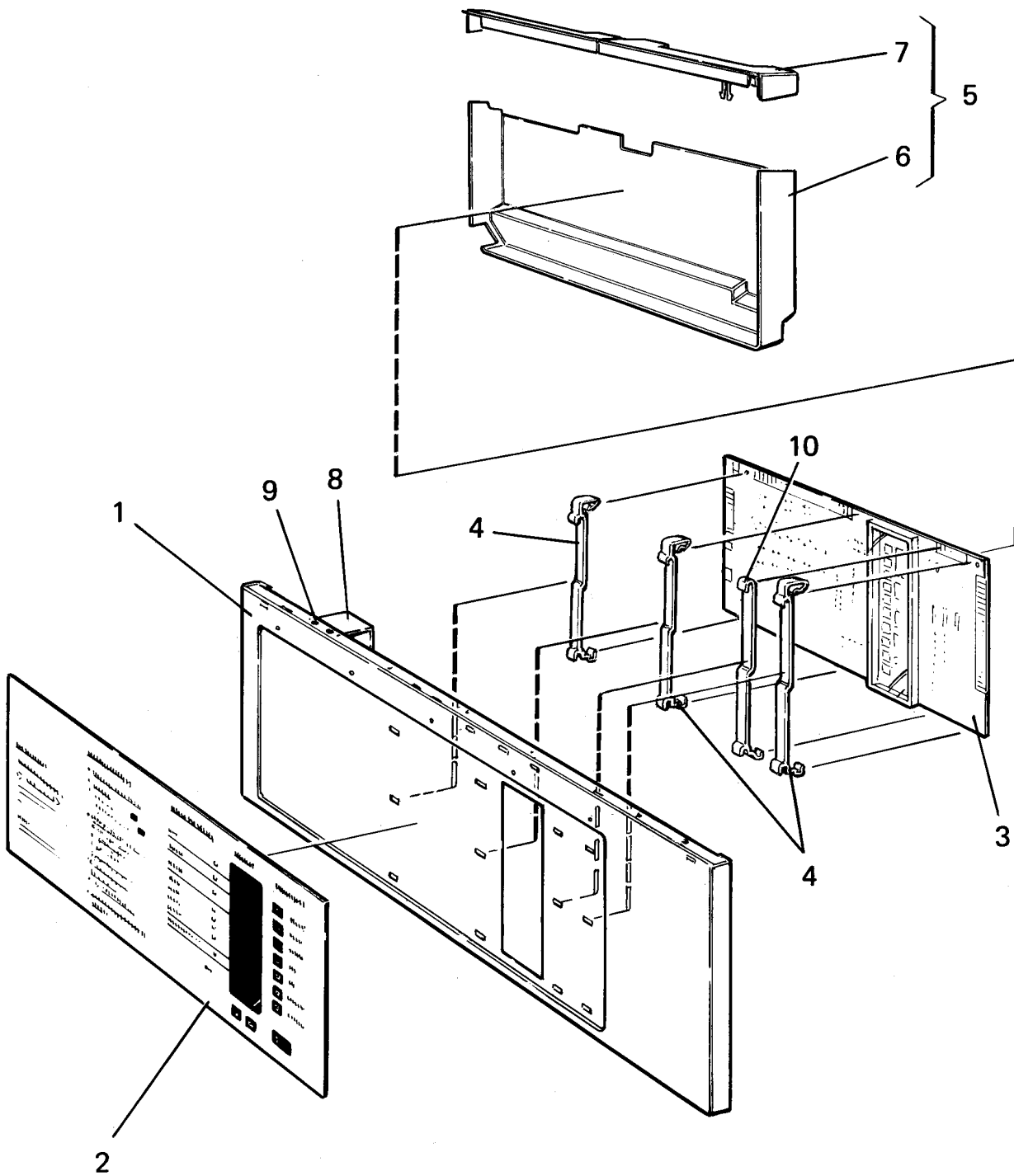
Item Article	Qua. Qua.	Art.No Réf. article	Description	Description	Info Info	Notes Remarques
1	1	438 0006-72	Panel	Tableau	3	Black
2	1	438 2901-01	Panel sign	Voyant du tableau	3	English
3	2	438 0039-01	Lock plate	Gâche de serrure	3	
4		438 0076-01	Knob	Bouton de porte	1,2	Complete Complete
5	1		Mounting plate	Plaque de montage	3	See group US8343
6	1	472 6082-01	Pointer	Indicateur	3	
7	1	438 0040-01	Safety glass	Verre de sécurité	1,2	
8	1	471 9652-01	Pilot lamp	Lampe témoin	1,2	110V
	1	471 9652-02	Pilot lamp	Lampe témoin	1,2	230V
9	1	438 0138-01	Cover	Couvercle	3	
10	1	438 0233-01	Support	Support	3	
11	1	722 7843-02	Pop rivet	Rivet	3	
12	1	438 0164-04	Cover	Couvercle	3	
13	2	722 7840-19	Pop rivet	Rivet	3	
* 14	1	471 4904-02	Bracket	Pupitre	3	
15	1		Pushbutton unit	Poste bouton-poussoir	1,2	2 buttons Not available See illustr. 500140
16	2	725 2289-61	Screw	Vis	3	M4X10
17	5	732 2112-01	Locking nut	Contre-écrou	3	M4
18	4	735 2136-01	Lock washer	Rondelle d'arrêt	3	AZ 4,3



Issue	Month	Year
02	05	96

W185 EMERALD				Illustration	Issue	Month	Year
Control panel				Schéma	Issue	Month	Year
Pupitre de commande				101192	5	10	2007

Item Article	Qua. Qua.	Art.No Réf. article	Description	Description	Info Info	Notes Remarques
1	1	438 0006-77	Control panel	Pupitre de commande	3	Black
2	1		Panel sign	Voyant du tableau	3	English
3	1	472 9904-39	Printed circuit board	Circuit imprimé	1,2	-230/27366
	1	471 8964-12	Printed circuit board	Circuit imprimé	1,2	230/27367-
4	3	472 8969-03	Bracket	Pièce de retenue	3	-230/27366
	3	472 8974-01	Bracket	Pièce de retenue	3	230/27367-
5	1	472 8969-02	Bracket	Pièce de retenue	3	-230/27367-
	1	472 8974-02	Bracket	Pièce de retenue	3	230/27367-
6	1	472 9902-64	Heat shield	Bouclier thermique	3	Complete -95/23971
	1	438 4079-10	Heat shield	Bouclier thermique	3	Complete 95/23972-
7	1	438 4079-01	•Heat shield	•Bouclier thermique	3	
8	1	438 4079-02	•Heat shield	•Bouclier thermique	3	
9	1	438 0152-01	Support	Support	3	
10	2	722 7843-02	Pop rivet	Rivet	3	
11	1	471 4705-01	Frame	Châssis	3	
12	2	722 7840-19	Pop rivet	Rivet	3	
13	1	438 4088-01	Coin box	Boite à jetons	3	
14	4	724 1325-61	Screw	Vis	3	MRX-TT 5X10
15	4	735 2146-01	Washer	Rondelle	3	M5



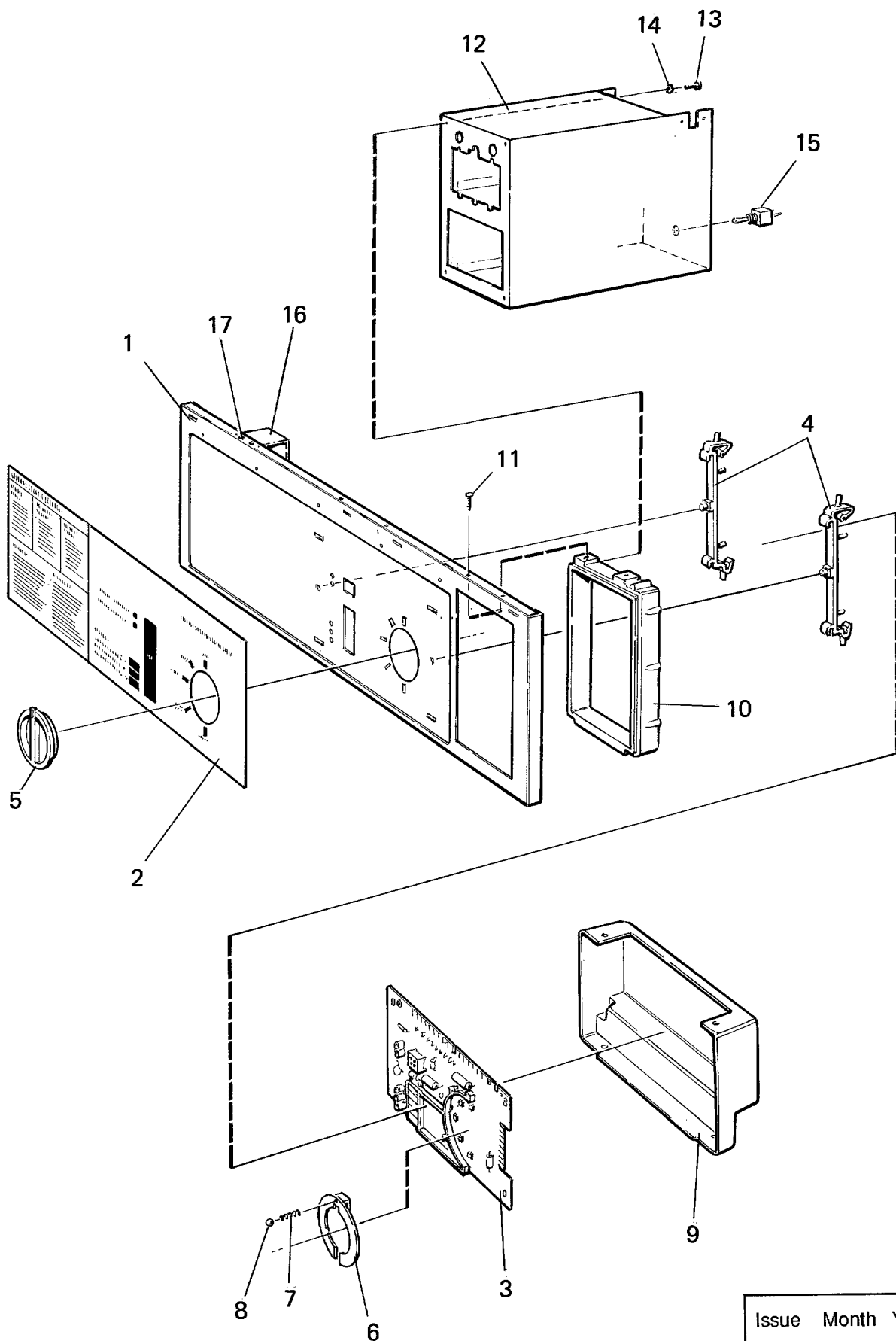
SE185

Control panel

Pupitre de commande

Illustration	Issue	Month	Year
Schéma	Issue	Month	Year
100697	4	10	2007

Item Article	Qua. Qua.	Art.No Réf. article	Description	Description	Info Info	Notes Remarques
1	1	438 0006-78	Control panel	Pupitre de commande	3	Black
2			Panel sign	Voyant du tableau		
3	1	472 9904-39	Printed circuit board	Circuit imprimé	1,2	
4	3	472 8969-03	Bracket	Pièce de retenue	3	
5	1	472 9902-64	Heat shield	Bouclier thermique	3	Complete -95/23971
	1	438 4079-10	Heat shield	Bouclier thermique	3	Complete 95/23972-
6	1	438 4079-01	•Heat shield	•Bouclier thermique	3	
7	1	438 4079-02	•Heat shield	•Bouclier thermique	3	
8	1	438 0233-01	Support	Support	3	
9	1	722 7843-02	Pop rivet	Rivet	3	
10	1	472 8969-02	Bracket	Pièce de retenue	3	



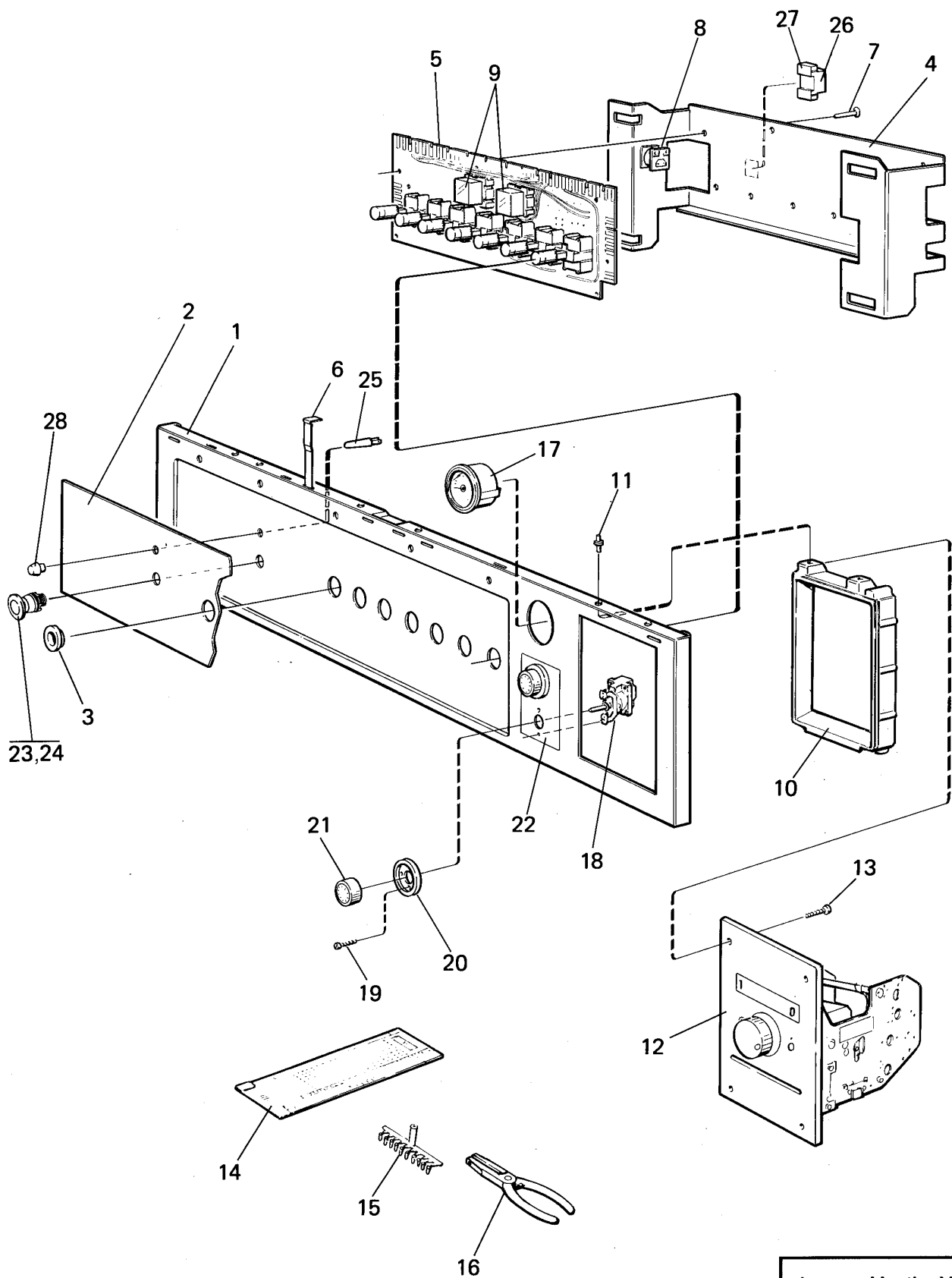
W185 HI-TEK

Control panel

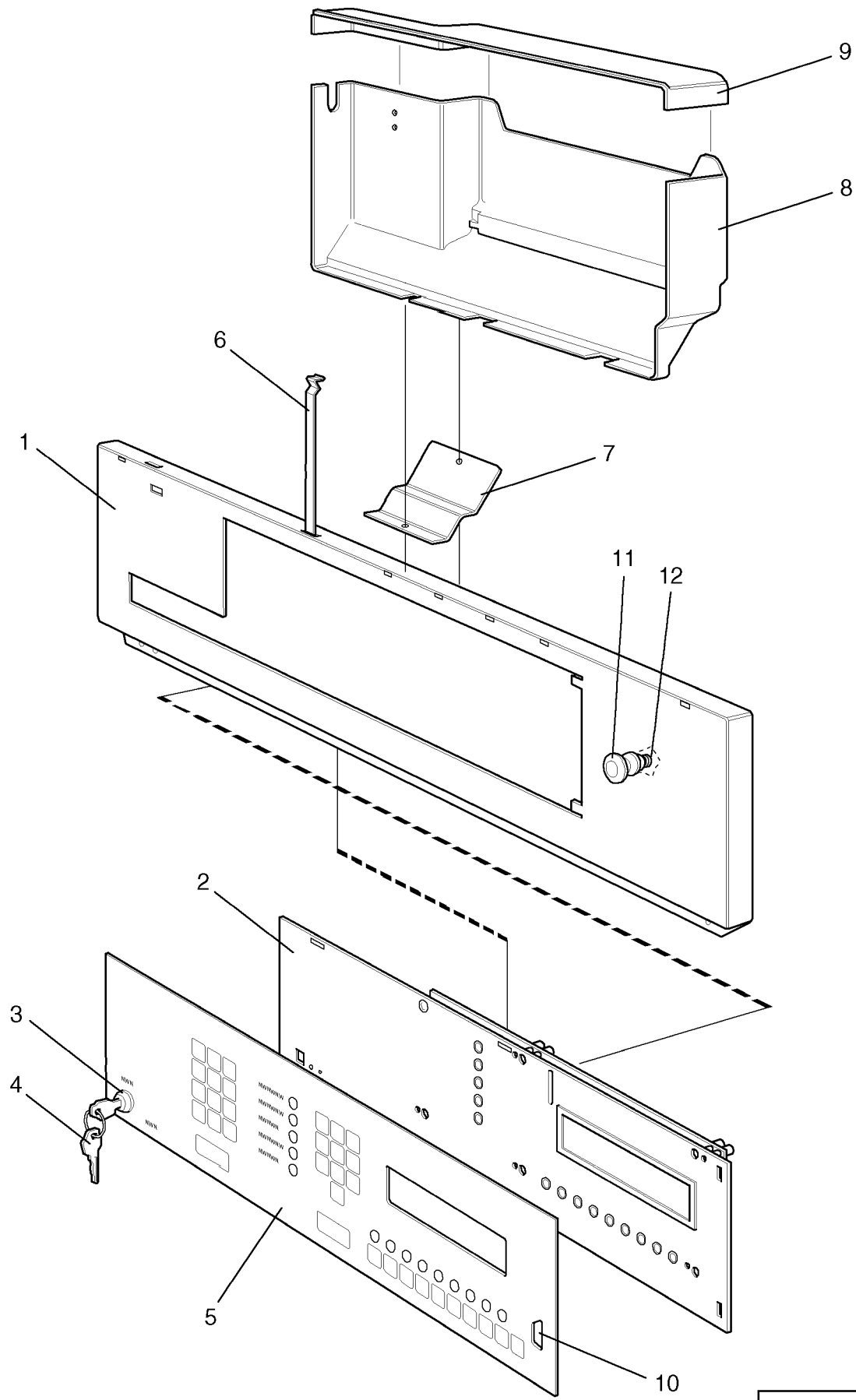
Pupitre de commande

Illustration Issue Month Year
Schéma Issue Month Year
100696 4 10 1996

Item Article	Qua. Qua.	Art.No Réf. article	Description	Description	Info Info	Notes Remarques
1	1	438 0006-79	Control panel	Pupitre de contrôle	3	
2	1	472 5750-02	Panel sign	Voyant du tableau	1,2	English
3						
4	2	438 0072-01	Bracket	Pièce de retenue	3	
5	1	471 7954-01	Knob	Bouton de porte	1,2	
6	1	471 7953-01	Locking ring	Jonc de verrouillage	3	
7	1	471 7803-13	Pressure spring	Ressort de pression	3	
8	1	471 7403-01	Ball	Bille	3	
9	1	438 0071-01	Door locking device	Serrure de porte	3	
10	1	471 4705-01	Frame	Châssis	3	
11	2	722 7840-19	Pop rivet	Rivet	3	
12	1	438 4088-01	Coin box	Boite à jetons	3	
13	4	471 8342-23	Screw	Vis	3	MRT-TT 5X10
14	4	735 2146-01	Washer	Rondelle	3	M5
15	1	471 9629-02	Switch	Commutateur	1,2	
16	1	438 0233-01	Support	Support	3	
17	2	722 7843-02	Pop rivet	Rivet	3	



FL185				Illustration	Issue	Month	Year
Control panel				Schéma	Issue	Month	Year
Pupitre de commande				100980	9	7	1997
Item	Qua.	Art.No	Description	Description	Info	Notes	
Article	Qua.	Réf. article			Info	Remarques	
1	1	438 0006-76	Control panel	Pupitre de commande	3	Black	
2			Panel sign	Voyant du tableau			
3	7	471 7966-01	Grommet	Oeillet	3		
4	1	438 0293-01	Bracket	Pupitre	3		
5	1	438 3075-01	Printed circuit board	Carte de circuit imprimé	1,2	-95/11023	
	1	438 3075-04	Printed circuit board	Carte de circuit imprimé	1,2	95/11024-	
6	2	438 0039-01	Lock plate	Gâche de serrure	3		
7	8	471 7958-01	Support	Support	3		
8	1	471 9651-50	Buzzer	Console	1	208-240V	
9	2	471 9649-01	Relay	Relais	1,2		
10	1	471 4705-02	Frame	Châssis	3		
11	2	722 7843-02	Pop rivet	Rivet	3		
12	1				1,2	See group US8337	
13	4	471 8342-25	Screw	Vis	3	5X16	
14	1	471 8955-01	Program card	Carte programme	1,2	80	
	1	471 9219-16	Program card	Carte programme	1,2	120	
15	1	471 6654-10	Pin	Goupille	1,2	SET OF 10 PCS	
16	1	471 8961-01	Pliers	Pince	1,2		
17	1	471 8810-01	Thermometer	Thermomètre	1,2		
18						Not used	
19						Not used	
20						Not used	
21						Not used	
22						Not used	
23						Not used	
24						Not used	
25	1	471 9652-02	Pilot lamp	Lampe témoin	1,2	230V 95/11024-	
26	1	471 9649-01	Relay	Relais	1,2	94/9532-95/11023	
27	1	471 9649-02	Socket	Douille	1	94/9532-95/11023	
28	1	763 1802-01	Glass	Verre	1	Red 94/9532-95/11023	
	1	763 1806-01	Glass	Verre	1	Yellow 95/11024-	



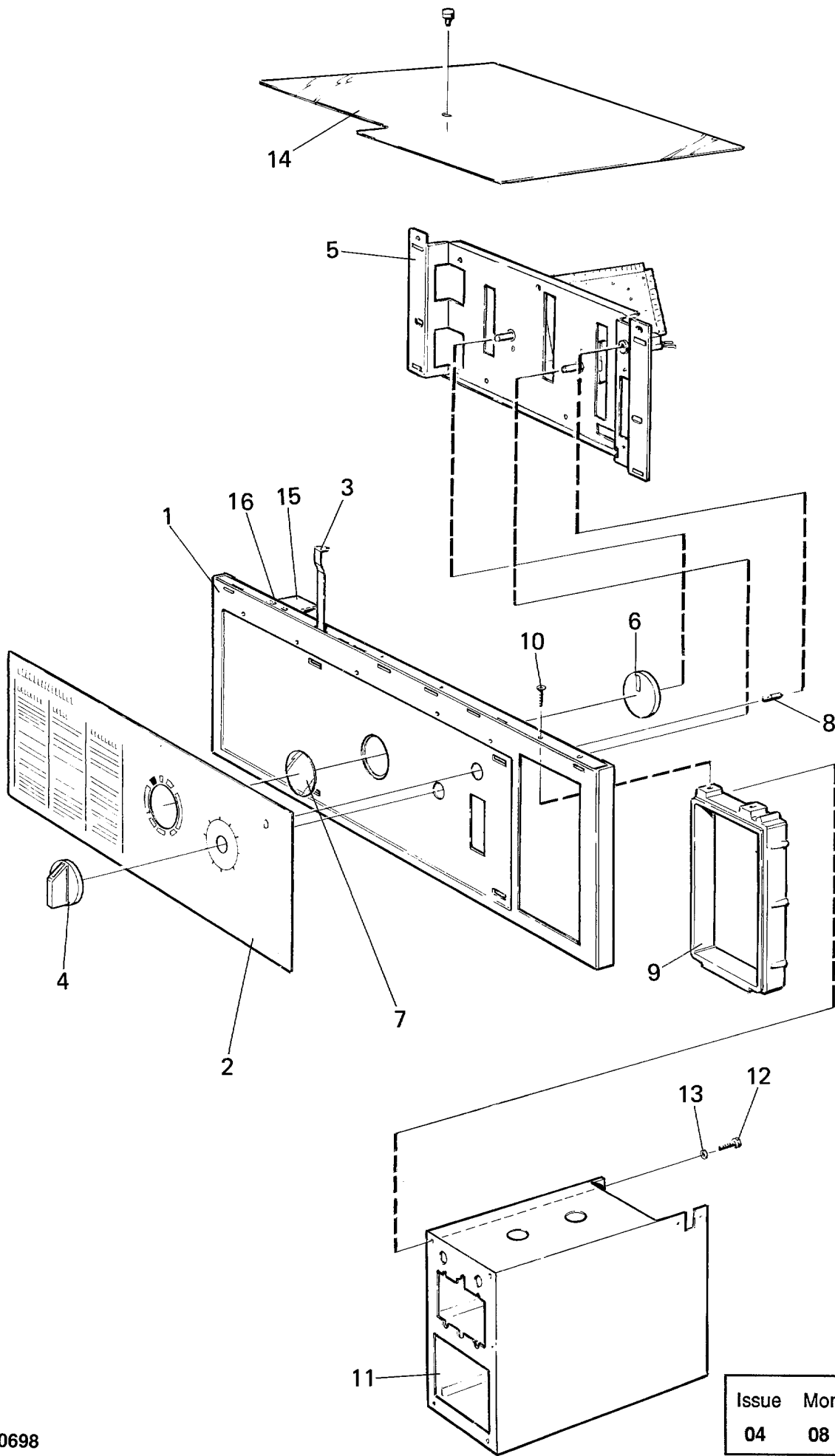
FL185 HI-TEK

Control panel

Pupitre de commande

Illustration	Issue	Month	Year
Schéma	Issue	Month	Year
100981	4	1	1999

Item Article	Qua. Qua.	Art.No Réf. article	Description	Description	Info Info	Notes Remarques
1	1	438 0006-74	Control panel	Pupitre de commande	3	Black
2	1	471 8977-15	Printed circuit board	Carte de circuit imprimé	1,2	Complete -94/9531
3	1	471 8977-25	Printed circuit board	Carte circuit	1,2	Complete 94/9532-
4	1	471 4878-84	Switch	Commutateur	1,2	Complete
5	1	471 8733-10	Key	Touche	1,2	
6	2	438 0039-01	Panel sign	Voyant du tableau		
7	1	438 0364-01	Lock plate	Gâche de serrure	3	
8	1	471 4714-06	Support	Support	3	
9	1	471 4714-06	Heat shield	Bouclier thermique	3	
10	1	471 4714-05	Heat shield	Bouclier thermique	3	
			Memory cartridge	Cassette de mémoire		See group US8342



100698

Issue	Month	Year
04	08	92

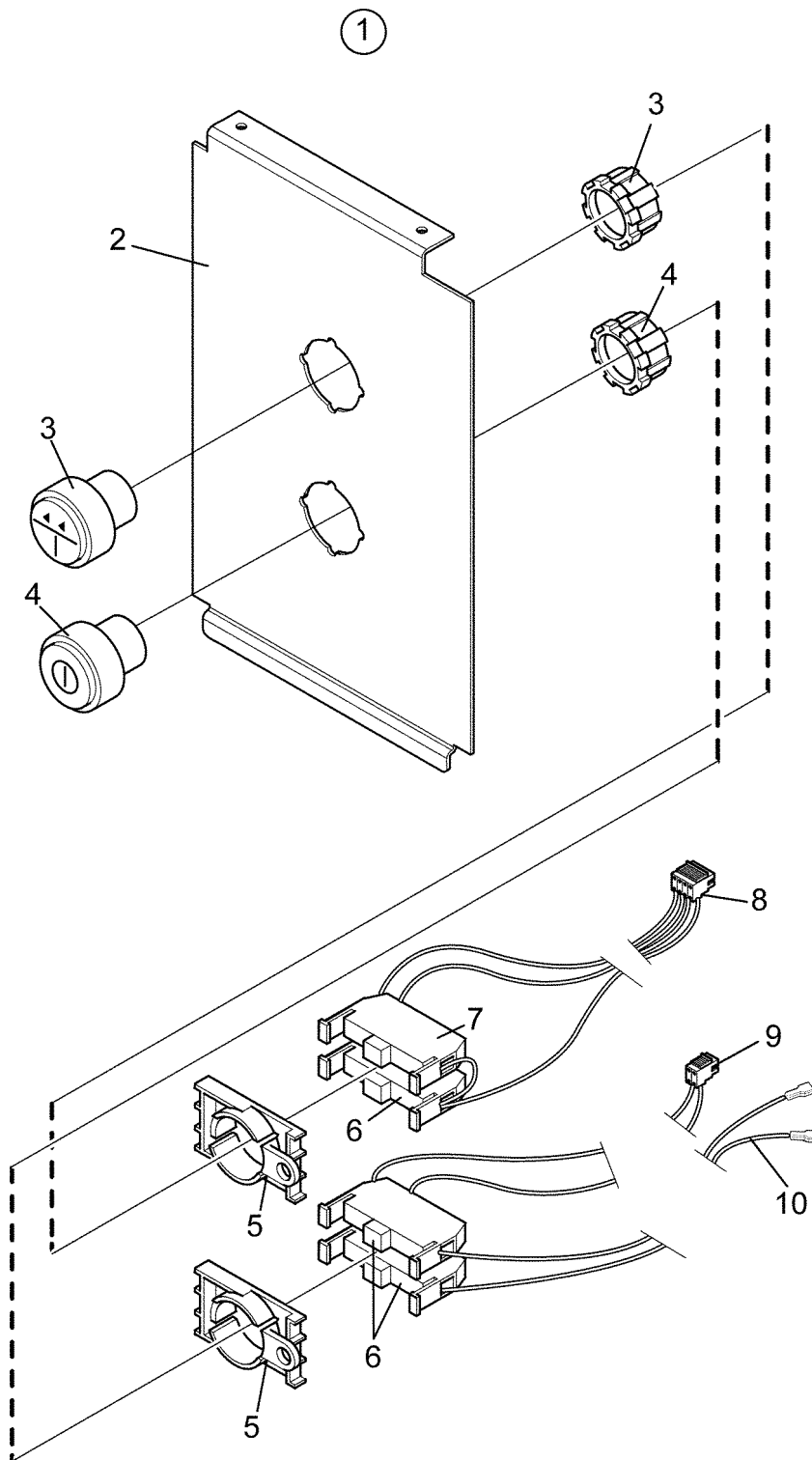
W185

Control panel

Pupitre de commande

Illustration Issue Month Year
Schéma Issue Month Year
100698 8 10 1997

Item Article	Qua. Qua.	Art.No Réf. article	Description	Description	Info Info	Notes Remarques
1	1	438 0006-72	Panel	Tableau	3	Black
2			Panel sign	Voyant du tableau		
3	2	438 0039-01	Lock plate	Gâche de serrure	3	
4	1	438 0076-01	Knob	Bouton de porte	1,2	Complete
5	1		Mounting plate	Plaque de montage	3	See group US8343
6	1	472 6082-01	Pointer	Indicateur	3	
7	1	438 0040-01	Safety glass	Verre de sécurité	3	
8	1	471 9652-02	Pilot lamp	Lampe témoin	1,2	230V
9	1	471 4705-02	Frame	Châssis	3	
10	2	722 7843-02	Pop rivet	Rivet	3	
11	1	438 4088-01	Coin box	Boite à jetons	3	
12	4	471 8342-23	Screw	Vis	3	MRT-TT 5X10
13	4	735 2146-01	Washer	Rondelle	3	M5
14	1	438 0138-01	Cover	Couvercle	3	
15	1	438 0233-01	Support	Support	3	
16	2	722 7843-02	Pop rivet	Rivet	3	



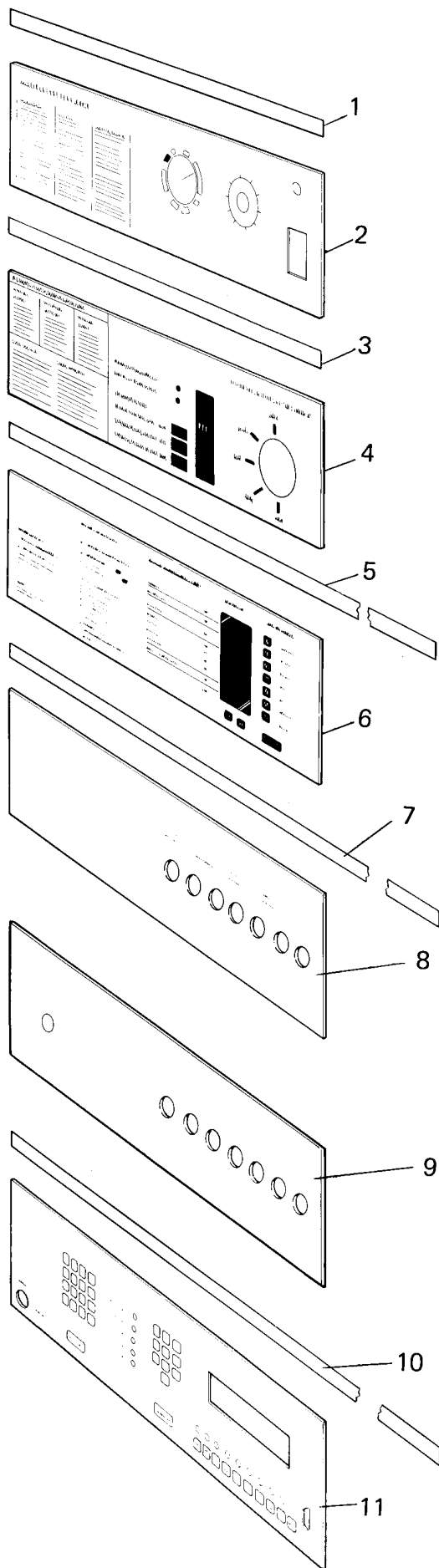
W185

Pushbutton unit

Poste bouton-poussoir

Illustration Issue Month Year
Schéma Issue Month Year
500140 1 3 2010

Item Article	Qua. Qua.	Art.No Réf. article	Description	Description	Info Info	Notes Remarques
1	1	472 9919-34	Pushbutton unit	Poste bouton-poussoir	3	CONVERSION KIT
2	1	438 0164-06	•Cover	•Couvercle	3	
3	1	438 9628-01	•Pushbutton	•Bouton-poussoir	1	
4	1	438 9628-02	•Pushbutton	•Bouton-poussoir	1	
5	2	471 9628-75	•Bracket	•Pièce de retenue	3	
6	3	471 9628-71	•Socket	•Bloc de connexion	1	NO Green
7	1	471 9628-70	•Socket	•Bloc de connexion	1	NC Red
8	1	413 3180-03	•Cable set	•Jeu de câbles	3	X70
9	1	413 3182-52	•Cable set	•Jeu de câbles	3	X78
10	1	413 3182-51	•Cable set	•Jeu de câbles	3	901/902



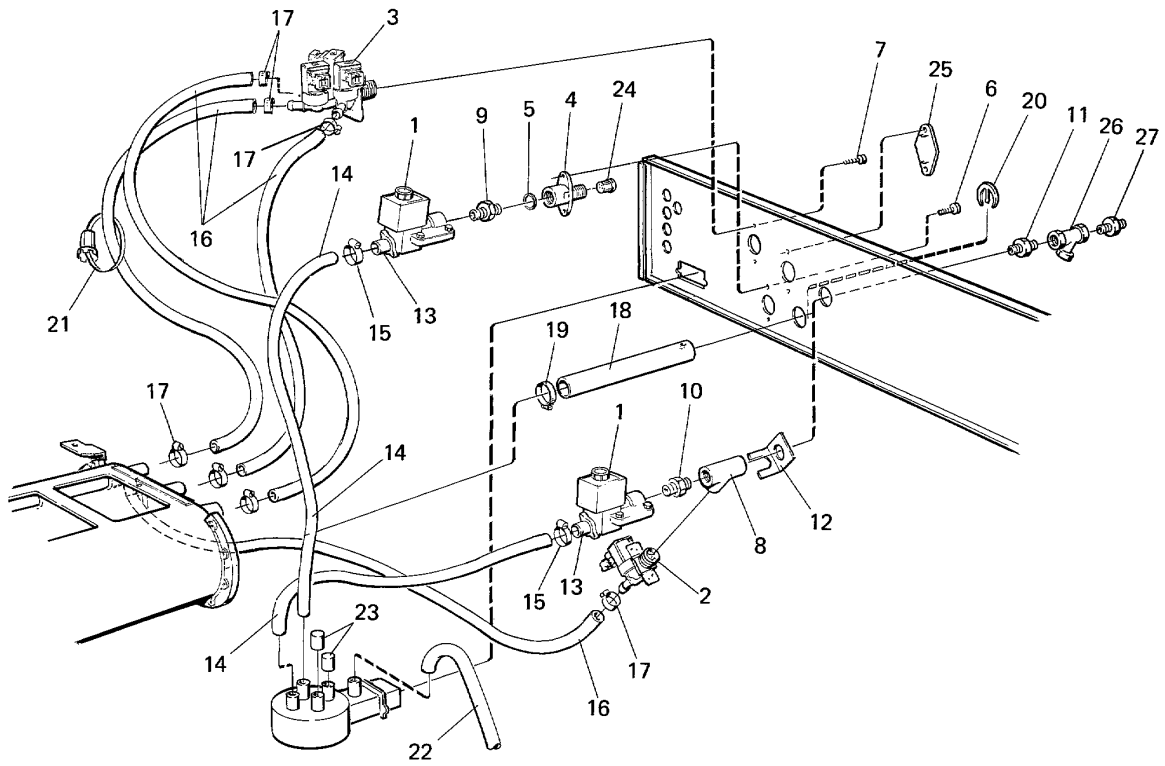
FL185,FL185 HI-TEK,SE185,W185,W185 EMERALD,W185 HI-TEK

Type plates and panel plates

Plaquettes de type et de pupitre

Illustration Issue Month Year
Schéma Issue Month Year
101416 11 9 1996

Item Article	Qua. Qua.	Art.No Réf. article	Description	Description	Info Info	Notes Remarques
1	1	438 2806-01	Sign	Signe	3	GIANT W185
2	1	438 2901-01	Panel sign	Voyant du tableau	3	English P03 with coin meter
	1	438 2901-02	Panel sign	Voyant du tableau	3	P03 WITHOUT COIN-METER
	1	438 2901-15	Panel sign	Voyant du tableau	3	USA P03 WITHOUT COIN-METER With liquid supply
	1	438 2904-01	Panel sign	Voyant du tableau	3	English P02
3	1	438 2806-02	Sign	Signe	3	W185 HI-TEK
4	1	472 5750-02	Panel sign	Voyant du tableau	3	English WITHOUT COIN-METER
	1	472 5750-01	Panel sign	Voyant du tableau	3	WITH COIN-METER English
5	1	438 2806-12	Sign	Signe	3	WASCOMAT SELECTA S28/185
	1	438 2806-20	Sign	Signe	3	W185 EMERALD SERIE
6	1	472 5752-04	Panel sign	Voyant du tableau	3	English
	1	472 5752-18	Panel sign	Voyant du tableau	3	USA PE03 EMERALD
	1	472 5752-29	Panel sign	Voyant du tableau	3	Spanish with coin meter PE03A
7	1	438 2806-03	Sign	Signe	3	FL185
8	1	438 2906-02	Panel sign	Voyant du tableau	3	English FL
9	1	438 2912-01	Panel sign	Voyant du tableau	1	English FL, ROTATION GUARD
10	1	438 2806-11	Sign	Signe	3	FL185 HI-TEK
11	1	472 5756-01	Panel sign	Voyant du tableau	3	English
	1	472 5756-09	Panel sign	Voyant du tableau	3	Spanish



100951

Issue	Month	Year
02	04	92

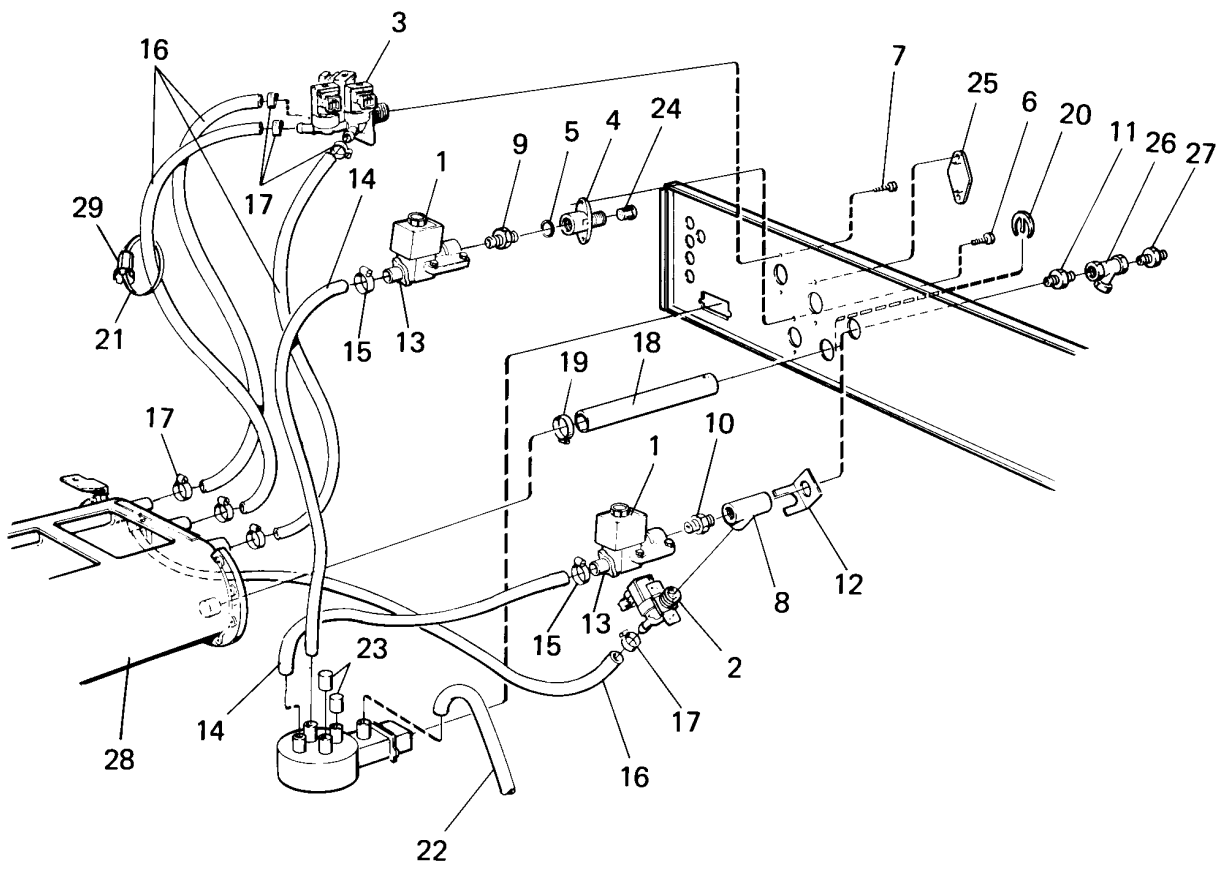
W185 -93/6236

Water alternatives P03

Option eau froide P03

Illustration Issue Month Year
Schéma Issue Month Year
100951 7 3 1995

Item Article	Qua. Qua.	Art.No Réf. article	Description	Description	Info Info	Notes Remarques
1	2	471 8210-63	Valve	Electrovanne	1,2	60Hz See group US8125
	1	471 8210-02	Valve	Electrovanne	1,2	1/2" 220-240V 50Hz See group US8125
2	1	471 8234-54	Valve	Electrovanne	1,2	208-240V 60Hz 1-way See group US8115
	1	471 8234-52	Valve	Electrovanne	1,2	1-way, 208-240V 50/60Hz, BSP See group US8115
3	1	471 8236-53	Valve	Electrovanne	1,2	3-way, 208-240V 60Hz, NH USA See group US8117
	1	471 8236-52	Valve	Electrovanne	1,2	3-way, 208-240V 50/60Hz, BSP See group US8117
4	1	438 0056-04	Nipple	Raccord	3	White, 3/4", USA
	1	438 0056-03	Nipple	Raccord	3	Black, 3/4"
5	1	471 8199-01	Gasket	Joint	3	
6	4	471 8317-01	Screw	Vis	3	
7	4	471 8341-11	Screw	Vis	3	MRT 4X6
8	1	742 5115-20	T-pipe	Tube en T	3	
9	1	471 8622-02	Nipple	Raccord	3	1/2"-3/4" 60Hz
10	1	471 8622-01	Nipple	Raccord	3	1/2"-3/4" 50Hz
11	1	471 8622-05	Nipple	Raccord	3	3/4"
12	1	471 2938-01	Cover	Couvercle	3	
13	2	471 8623-01	Connection	Embrayage	3	1/2"
14	RQ	877 5252-01	Hose	Flexible	3	Per 1 m PER 1M
15	2	736 2825-51	Hose clamp	Attache flexible	3	Ø32
16	RQ	877 5211-08	Hose	Flexible	3	Per 1 m PER 1M
17	8	736 2816-51	Hose clamp	Attache flexible	3	Ø13-19
18	1	438 0145-12	Hose	Flexible	3	
19	1	736 2828-51	Hose clamp	Attache flexible	3	
20	1	438 0127-01	Lock	Serrure	3	
21	1	471 4792-01	Tool	Outil	1,2	
22	1	471 2449-72	Hose	Flexible	1	
23	2	471 8175-01	Plug	Fiche	3	
24	1	471 8234-94	Filter	Filtre	3	
25	1	472 6761-01	Cover washer	Rondelle protection	3	
26	1	744 3115-06	Filter	Filtre	3	R 3/4"
27	1	471 2094-92	Nipple	Raccord	3	60Hz



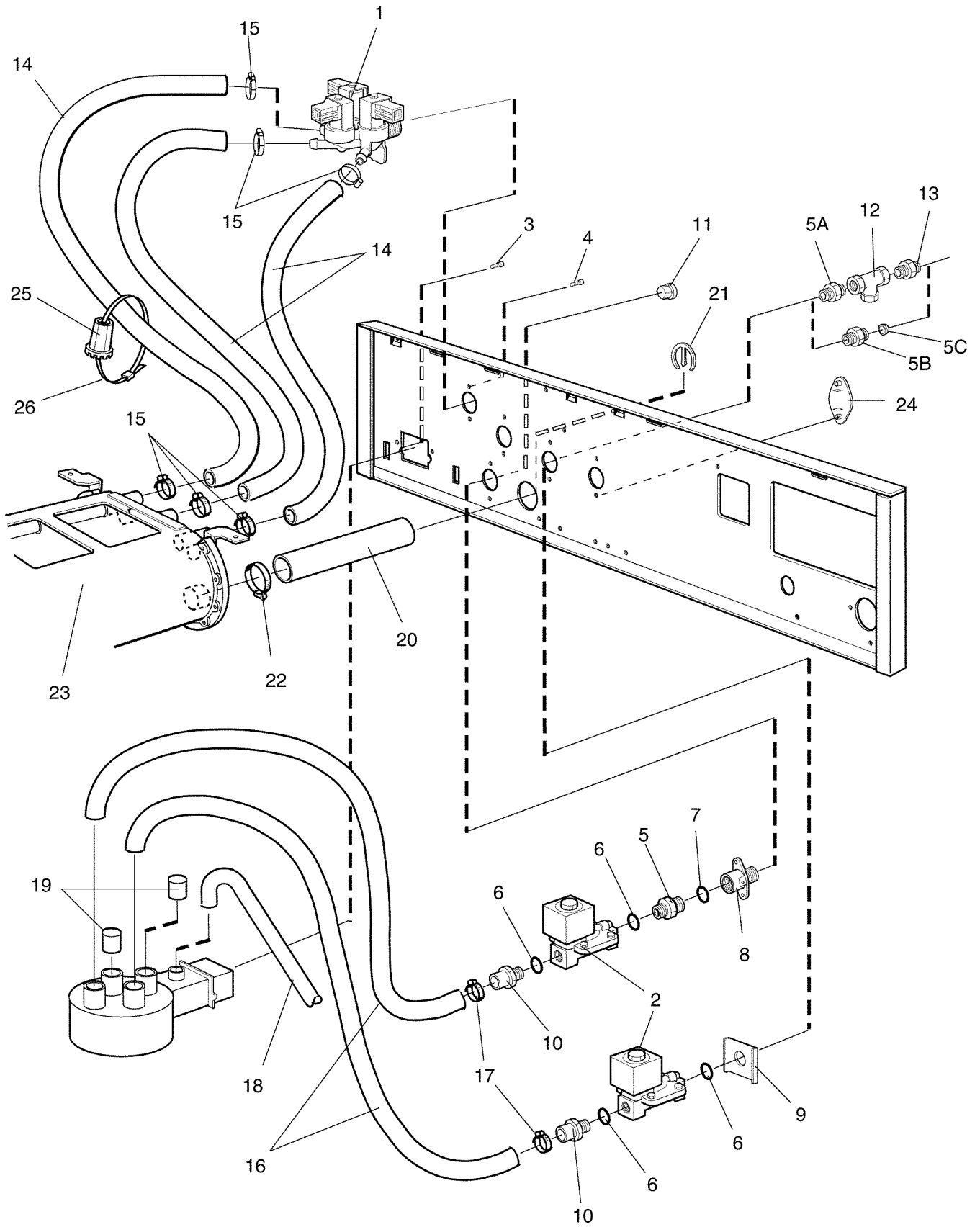
W185 93/6237-96/14109

Water connections

Raccords d'eau

Illustration Issue Month Year
Schéma Issue Month Year
101188 5 8 1996

Item Article	Qua. Qua.	Art.No Réf. article	Description	Description	Info Info	Notes Remarques
1	2	471 8210-63	Valve	Electrovanne	1,2	60Hz See group US8125
	2	471 8210-02	Valve	Electrovanne	1,2	1/2" 220-240V 50Hz See group US8125
2	1	471 8234-54	Valve	Electrovanne	1,2	208-240V 60Hz 1-way See group US8115
	1	471 8234-52	Valve	Electrovanne	1,2	1-way, 208-240V 50/60Hz, BSP See group US8115
3	1	471 8236-65	Valve	Electrovanne	1,2	3-way, 208-240V 50/60Hz, NH USA See group US8117
	1	471 8236-64	Valve	Electrovanne	1,2	3-way, 208-240V 50/60Hz, BSP See group US8117
4	1	438 0056-04	Nipple	Raccord	3	White, 3/4", USA
	1	438 0056-03	Nipple	Raccord	3	Black, 3/4"
5	1	471 8199-01	Gasket	Joint	3	
6	4	471 8317-01	Screw	Vis	3	
7	4	471 8341-11	Screw	Vis	3	MRT 4X6
8	1	742 5115-20	T-pipe	Tube en T	3	
9	1	471 8622-02	Nipple	Raccord	3	1/2"-3/4" 60Hz
10	1	471 8622-01	Nipple	Raccord	3	1/2"-3/4" 50Hz
11	1	471 8622-05	Nipple	Raccord	3	3/4"
12	1	471 2938-01	Cover	Couvercle	3	
13	2	471 8623-01	Connection	Embrayage	3	1/2"
14	RQ	877 5252-01	Hose	Flexible	1	Per 1 m PER 1M
15	2	736 2825-51	Hose clamp	Attache flexible	3	Ø32
16	RQ	877 5211-08	Hose	Flexible	1	Per 1 m PER 1M
17	8	736 2816-51	Hose clamp	Attache flexible	3	Ø13-19
18	1	438 0145-12	Hose	Flexible	3	
19	1	736 2828-51	Hose clamp	Attache flexible	3	
20	1	438 0127-01	Lock	Serrure	3	
21	1	762 9105-05	Cable strap	Serre-câble	3	
22	1	471 2449-72	Hose	Flexible	1	
23	2	471 8175-01	Plug	Fiche	3	
24	1	471 8234-94	Filter	Filtre	3	
25	1	472 6761-01	Cover washer	Rondelle protection	3	
26	1	744 3115-06	Filter	Filtre	3	R 3/4"
27	1	471 2094-92	Nipple	Raccord	3	60Hz
28	1	438 0253-20	Detergent container	Compartiment à savon	1,2	See group US8802
29	1	471 4792-01	Tool	Outil	3	



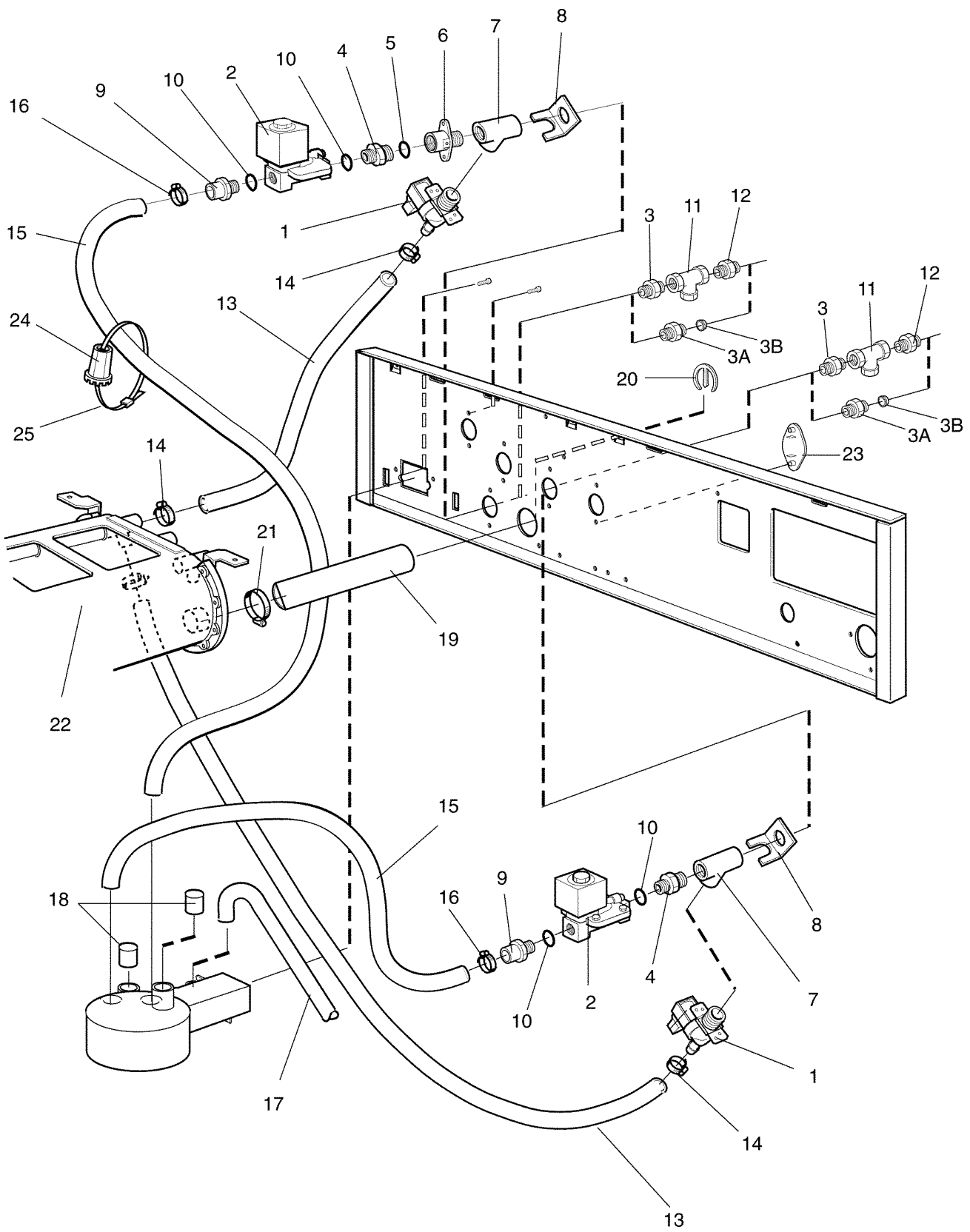
W185 96/14110-

Water connection, detergent container

Raccord eau compartiment à savon

Illustration Issue Month Year
Schéma Issue Month Year
101413 2 9 1997

Item Article	Qua. Qua.	Art.No Réf. article	Description	Description	Info Info	Notes Remarques
1	1	471 8236-65	Valve	Electrovanne	1,2	3-way, 208-240V 50/60Hz, NH USA See group US8117
2	2	471 8210-63	Valve	Electrovanne	1,2	60Hz See group US8125
3	2	471 8317-01	Screw	Vis	3	
4	2	471 8341-11	Screw	Vis	3	MRT 4X6
5	1	471 8622-01	Nipple	Raccord	3	1/2"-3/4" 50Hz
6	4	471 8159-06	Gasket	Joint	3	
5A	1	471 8622-01	Nipple	Raccord	3	1/2"-3/4" 50Hz -97/35926
5B	1	471 8693-02	Nipple	Raccord	3	1/2"-3/4" 97/35927-
5C	1	471 8693-21	•Filter	•Filtre	1	97/35927-
7	1	471 8199-01	Gasket	Joint	3	
8	1	438 0056-04	Nipple	Raccord	3	White, 3/4", USA
9	1	471 2937-01	Bracket	Support	3	
10	2	471 8623-01	Connection	Embrayage	3	1/2"
11	1	471 8693-21	Filter	Filtre	3	19
12	1	744 3115-06	Filter	Filtre	3	R 3/4" -97/35926
13	2	471 2094-92	Nipple	Raccord	3	60Hz
14	RQ	877 5211-08	Hose	Flexible	1	Per 1 m Per 1 M
15	6	736 2816-51	Hose clamp	Attache flexible	3	Ø13-19
16	RQ	877 5252-01	Hose	Flexible	1	Per 1 m Per 1 M
17	4	736 2825-51	Hose clamp	Attache flexible	3	Ø32
18	1	471 2449-72	Hose	Flexible	1	
19	2	471 8175-01	Plug	Fiche	3	
20	1	438 0145-12	Hose	Flexible	1	
21	1	438 0127-01	Lock	Serrure	3	
22	1	736 2828-51	Hose clamp	Attache flexible	3	
23	1	438 0253-20	Detergent container	Compartiment à savon	1,2	See group US8802
24	1	472 6761-01	Cover washer	Rondelle protection	3	
25	1	471 4792-01	Tool	Outil	1,2	
26	1	762 9105-05	Cable strap	Serre-câble	3	



Issue	Month	Year
02	08	97

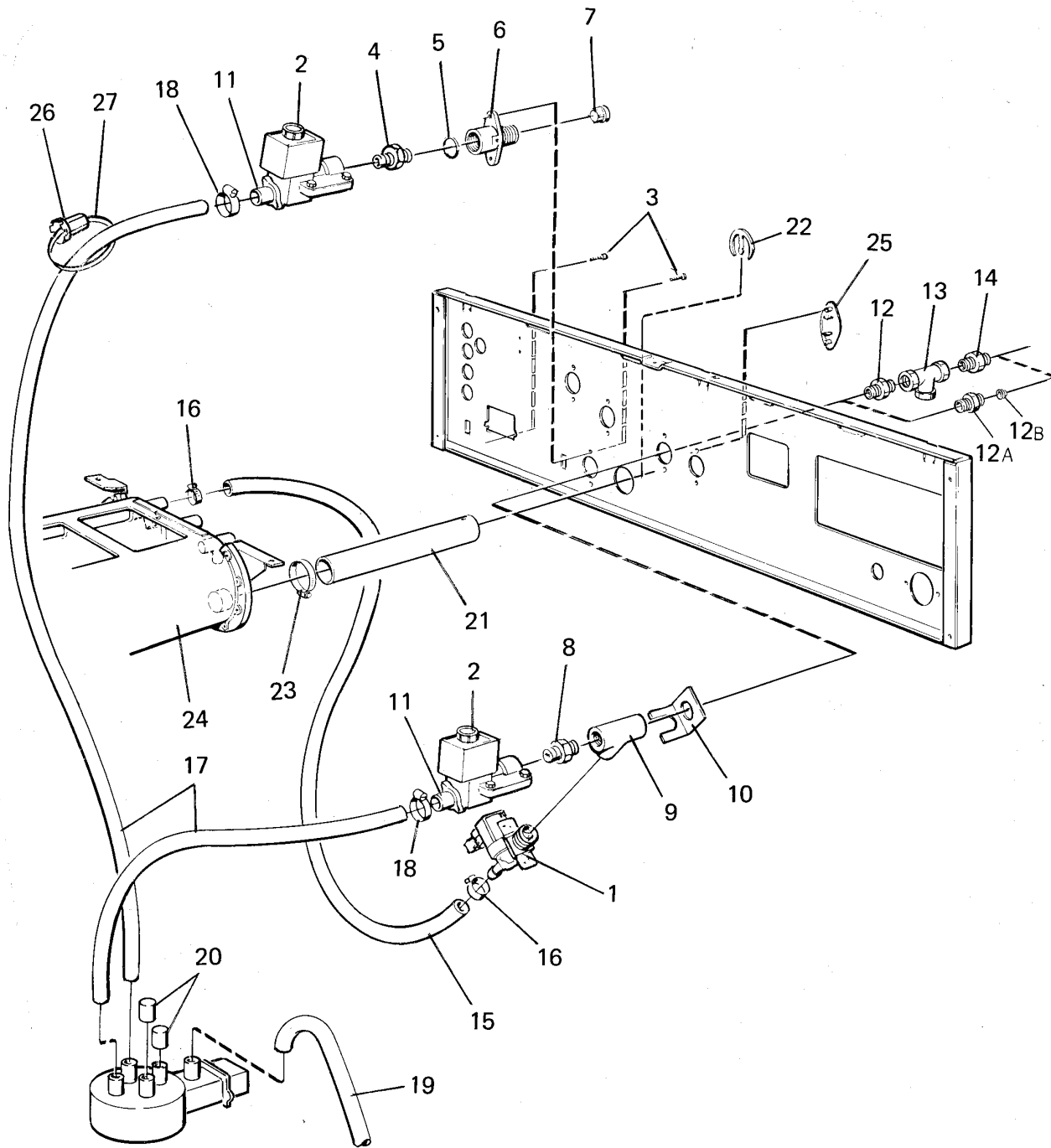
W185 96/14110-

Water connection liquid detergent

Raccord eau produit de lavage liquide

Illustration Issue Month Year
Schéma Issue Month Year
101412 2 9 1997

Item Article	Qua. Qua.	Art.No Réf. article	Description	Description	Info Info	Notes Remarques
1	1	471 8234-54	Valve	Electrovanne	1,2	208-240V 60Hz 1-way See group US8115
2	2	471 8210-63	Valve	Electrovanne	1,2	60Hz See group US8125
3	2	471 8622-05	Nipple	Raccord	3	3/4" -9735926
3A	2	471 8693-04	Nipple	Raccord	3	3/4"-3/4" 97/35927-
3B	2	471 8693-21	•Filter	•Filtre	1	97/35927-
4	2	471 8622-01	Nipple	Raccord	3	1/2"-3/4" 50Hz
5	1	471 8199-01	Gasket	Joint	3	
6	1	438 0056-04	Nipple	Raccord	3	White, 3/4", USA
7	2	742 5115-20	T-pipe	Tube en T	3	
8	2	471 2938-01	Cover	Couvercle	3	
9	2	471 8623-01	Connection	Embrayage	3	1/2"
10	4	471 8159-06	Gasket	Joint	3	
11	1	744 3115-06	Filter	Filtre	3	R 3/4"
12	2	471 2094-92	Nipple	Raccord	3	60Hz
13	RQ	877 5211-08	Hose	Flexible	1	Per 1 m Per 1 M
14	4	736 2816-51	Hose clamp	Attache flexible	3	Ø13-19
15	RQ	877 5252-01	Hose	Flexible	1	Per 1 m Per 1 M
16	4	736 2825-51	Hose clamp	Attache flexible	3	Ø32
17	1	471 2449-72	Hose	Flexible	1	
18	2	471 8175-01	Plug	Fiche	3	
19	1	438 0145-12	Hose	Flexible	1	
20	1	438 0127-01	Lock	Serrure	3	
21	1	736 2828-51	Hose clamp	Attache flexible	3	
22	1	438 0253-25	Detergent container	Compartiment à savon	1,2	See group US8802
23	2	472 6761-01	Cover washer	Rondelle protection	3	
24	1	471 4792-01	Tool	Outil	1,2	
25	1	762 9105-05	Cable strap	Serre-câble	3	



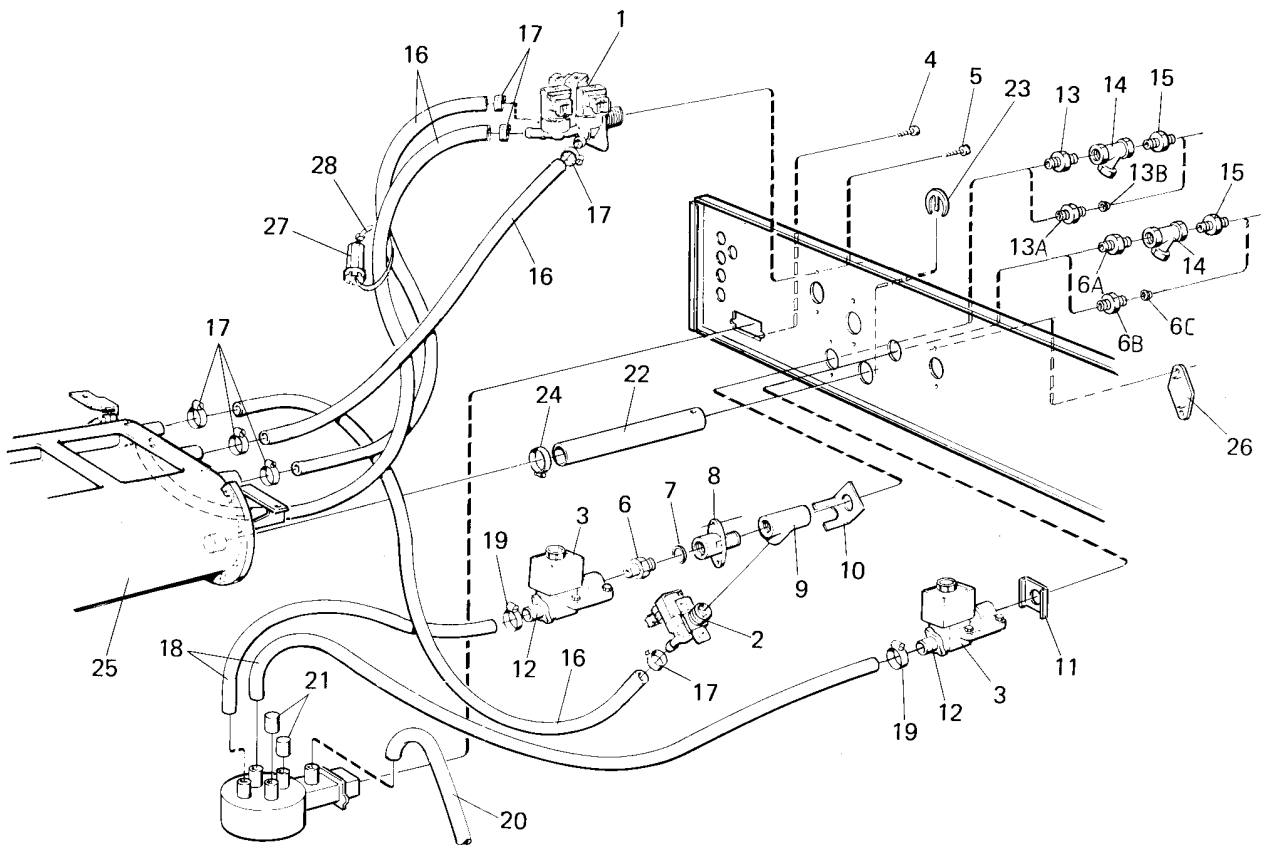
SE185

Water connections

Raccords d'eau

Illustration Issue Month Year
Schéma Issue Month Year
101000 5 9 1997

Item Article	Qua. Qua.	Art.No Réf. article	Description	Description	Info Info	Notes Remarques
1	1	471 8234-56	Valve	Electrovanne	1,2	208-240V See group US8115
	1	471 8234-56	Valve	Electrovanne	1,2	208-240V See group US8115
2	2	471 8210-63	Valve	Electrovanne	1,2	60Hz See group US8125
	2	471 8210-02	Valve	Electrovanne	1,2	1/2" 220-240V 50Hz See group US8125
3	4	471 8317-01	Screw	Vis	3	
4	2	471 8622-02	Nipple	Raccord	3	1/2"-3/4" 60Hz
5	1	471 8199-01	Gasket	Joint	3	
6	1	438 0056-04	Nipple	Raccord	3	White, 3/4", USA
	1	438 0056-03	Nipple	Raccord	3	Black, 3/4"
7	1	471 8693-21	Filter	Filtre	3	15
8	1	471 8622-01	Nipple	Raccord	3	1/2"-3/4" 50Hz
9	1	742 5115-20	T-pipe	Tube en T	3	
10	1	471 2938-01	Cover	Couvercle	3	
11	2	471 8623-01	Connection	Embrayage	3	1/2"
12	1	471 8622-05	Nipple	Raccord	3	3/4" -97/35926
12A	1	471 8693-04	Nipple	Raccord	3	3/4"-3/4" 97/35927-
12B	1	471 8693-21	•Filter	•Filtre	1	97/35927-
13	1	744 3115-06	Filter	Filtre	3	R 3/4" -97/35926
14	1	471 2094-92	••••Nipple	••••Raccord	3	60Hz -97/35926
15	RQ	877 5211-08	Hose	Flexible	1	Per 1 m Per 1 M
16	3	736 2816-51	Hose clamp	Attache flexible	3	Ø13-19
17	RQ	877 5252-01	Hose	Flexible	1	Per 1 m Per 1 M
18	4	736 2825-51	Hose clamp	Attache flexible	3	Ø32
19	1	471 2449-72	Hose	Flexible	1	
20	2	471 8175-01	Plug	Fiche	3	
21	1	438 0145-12	Hose	Flexible	1	
22	1	438 0127-01	Lock	Serrure	3	
23	1	736 2828-51	Hose clamp	Attache flexible	3	
24	1	438 0253-25	Detergent container	Compartiment à savon	1,2	See group US8802
25	2	472 6761-01	Cover washer	Rondelle protection	3	
26	1	471 4792-01	Tool	Outil	1,2	
27	1	762 9105-05	Cable strap	Serre-câble	3	



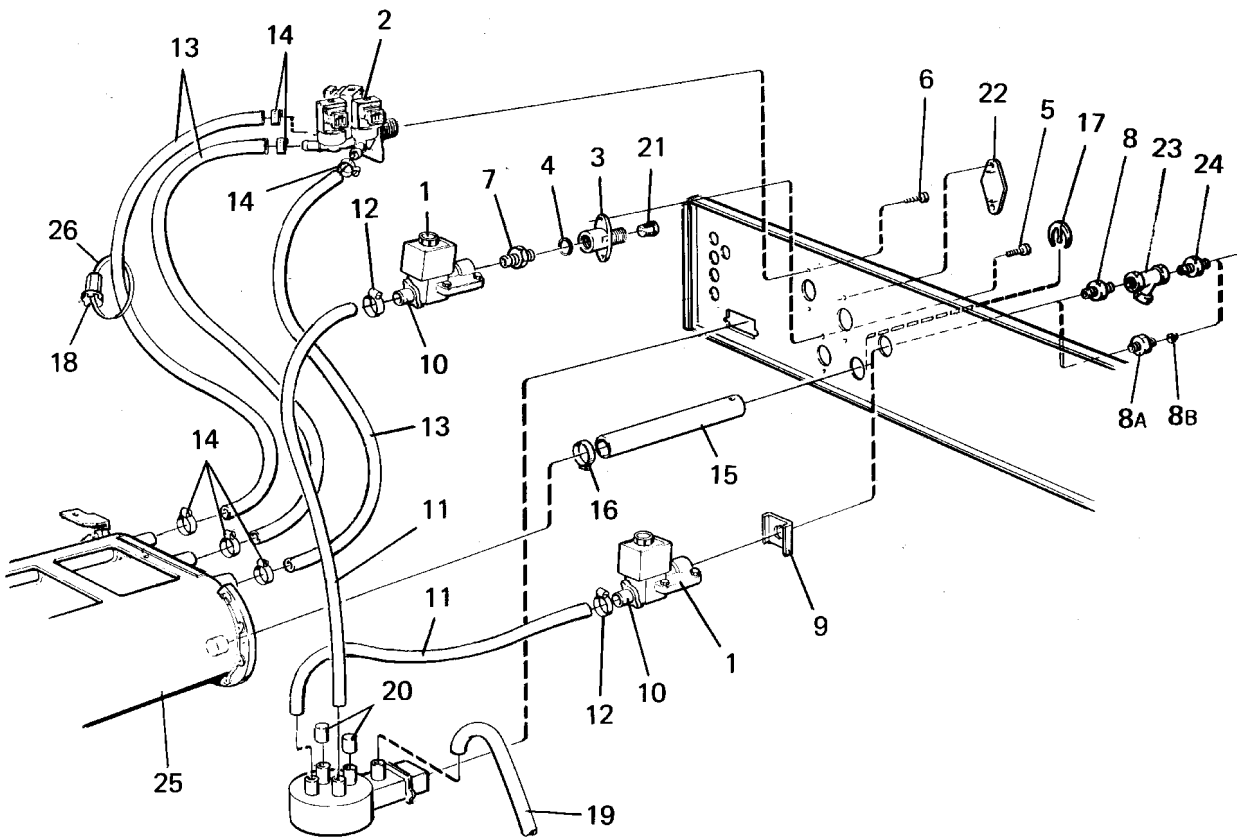
FL185

Water connections

Raccords d'eau

Illustration Issue Month Year
Schéma Issue Month Year
100999 6 9 1997

Item Article	Qua. Qua.	Art.No Réf. article	Description	Description	Info Info	Notes Remarques
1	1	471 8236-53	Valve	Electrovanne	1,2	3-way, 208-240V 60Hz, NH USA See group US8117 -93/6236
	1	471 8236-65	Valve	Electrovanne	1,2	3-way, 208-240V 50/60Hz, NH USA See group US8117 93/6237-
	1	471 8236-64	Valve	Electrovanne	1,2	3-way, 208-240V 50/60Hz, BSP See group US8117
2	1	471 8234-56	Valve	Electrovanne	1,2	208-240V See group US8115
	1	471 8234-56	Valve	Electrovanne	1,2	208-240V See group US8115
3	2	471 8210-63	Valve	Electrovanne	1,2	60Hz See group US8125
	2	471 8210-02	Valve	Electrovanne	1,2	1/2" 220-240V 50Hz See group US8125
4	2	471 8317-01	Screw	Vis	3	
5	2	471 8341-11	Screw	Vis	3	MRT 4X6
6	1	471 8622-01	Nipple	Raccord	3	1/2"-3/4" 50Hz
6A	1	471 8622-01	Nipple	Raccord	3	1/2"-3/4" 50Hz -97/35926
6B	1	471 8693-02	Nipple	Raccord	3	1/2"-3/4" 97/35927-
6C	1	471 8693-21	•Filter	•Filtre	1	97/35927-
7	1	471 8199-01	Gasket	Joint	3	
8	1	438 0056-03	Nipple	Raccord	3	Black, 3/4"
	1	438 0056-04	Nipple	Raccord	3	White, 3/4", USA
9	1	742 5115-20	T-pipe	Tube en T	3	
10	1	471 2938-01	Cover	Couvercle	3	
11	1	471 2937-01	Bracket	Support	3	
12	2	471 8623-01	Connection	Embrayage	3	1/2"
13	1	471 8622-05	Nipple	Raccord	3	3/4" -97/35926
13A	1	471 8693-04	Nipple	Raccord	3	3/4"-3/4" 97/35927-
13B	1	471 8693-21	•Filter	•Filtre	1	97/35927-
14	2	744 3115-06	Filter	Filtre	3	R 3/4" -97/35926
15	2	471 2094-92	Nipple	Raccord	3	60Hz -97/35926
16	RQ	877 5211-08	Hose	Flexible	1	Per 1 m Per 1 M
17	8	736 2816-51	Hose clamp	Attache flexible	3	Ø13-19
18	RQ	877 5252-01	Hose	Flexible	1	Per 1 m Per 1 M
19	4	736 2825-51	Hose clamp	Attache flexible	3	Ø32
20	1	471 2449-72	Hose	Flexible	1	
21	2	471 8175-01	Plug	Fiche	3	
22	1	438 0145-12	Hose	Flexible	1	
23	1	438 0127-01	Lock	Serrure	3	
24	1	736 2828-51	Hose clamp	Attache flexible	3	
25	1	438 0253-20	Detergent container	Compartiment à savon	1,2	See group US8802
26	1	472 6761-01	Cover washer	Rondelle protection	3	
27	1	471 4792-01	Tool	Outil	1,2	
28	1	762 9105-05	Cable strap	Serre-câble	3	



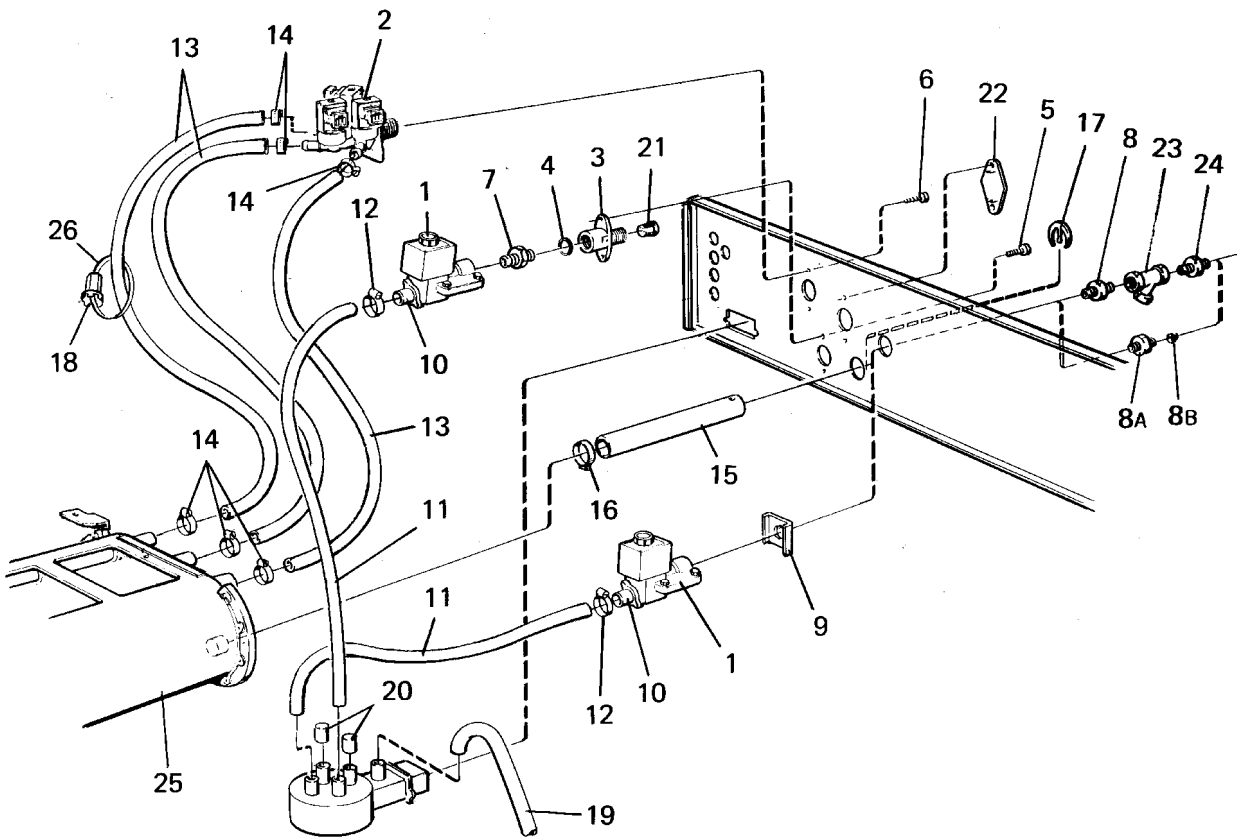
W185 93/6237-

Water connections

Raccords d'eau

Illustration Issue Month Year
Schéma Issue Month Year
101189 5 9 1997

Item Article	Qua. Qua.	Art.No Réf. article	Description	Description	Info Info	Notes Remarques
1	2	471 8210-63	Valve	Electrovanne	1,2	60Hz See group US8125
	2	471 8210-02	Valve	Electrovanne	1,2	1/2" 220-240V 50Hz See group US8125
2	1	471 8236-65	Valve	Electrovanne	1,2	3-way, 208-240V 50/60Hz, NH USA See group US8117
	1	471 8236-64	Valve	Electrovanne	1,2	3-way, 208-240V 50/60Hz, BSP See group US8117
3	1	438 0056-04	Nipple	Raccord	3	White, 3/4", USA
	1	438 0056-03	Nipple	Raccord	3	Black, 3/4"
4	1	471 8199-01	Gasket	Joint	3	
5	4	471 8317-01	Screw	Vis	3	
6	4	471 8341-11	Screw	Vis	3	MRT 4X6
7	1	471 8622-02	Nipple	Raccord	3	1/2"-3/4" 60Hz
8	1	471 8622-01	Nipple	Raccord	3	1/2"-3/4" 50Hz -97/35926
8A	1	471 8693-02	Nipple	Raccord	3	1/2"-3/4" 97/35927-
8B	1	471 8693-21	•Filter	•Filtre	1	97/35927-
9	1	471 2937-01	Bracket	Support	3	
10	2	471 8623-01	Connection	Embrayage	3	1/2"
11	RQ	877 5252-01	Hose	Flexible	3	Per 1 m PER 1M
12	2	736 2825-51	Hose clamp	Attache flexible	3	Ø32
13	RQ	877 5211-08	Hose	Flexible	3	Per 1 m PER 1M
14	8	736 2816-51	Hose clamp	Attache flexible	3	Ø13-19
15	1	438 0145-12	Hose	Flexible	3	
16	1	736 2828-51	Hose clamp	Attache flexible	3	
17	1	438 0127-01	Lock	Serrure	3	
18	1	471 4792-01	Tool	Outil	1,2	
19	1	471 2449-72	Hose	Flexible	1	
20	2	471 8175-01	Plug	Fiche	3	
21	1	471 8693-21	Filter	Filtre	3	
22	1	472 6761-01	Cover washer	Rondelle protection	3	
23	1	744 3115-06	Filter	Filtre	3	R 3/4"
24	1	471 2094-92	Nipple	Raccord	3	60Hz
25	1	438 0253-20	Detergent container	Compartiment à savon	1,2	See group US8802
26	1	762 9105-05	Cable strap	Serre-câble	3	
1	2	471 8210-03	Valve	Electrovanne	1,2	1/2" 115V 60Hz See group US8125
2	1	471 8236-66	Valve	Electrovanne	1,2	3-way, 120V 60Hz, NH USA See group US8117
3	1	438 0056-03	Nipple	Raccord	3	Black, 3/4"
4	1	471 8199-01	Gasket	Joint	3	
5	4	471 8317-01	Screw	Vis	3	
6	4	471 8341-11	Screw	Vis	3	MRT 4X6
7	1	471 8622-02	Nipple	Raccord	3	1/2"-3/4" 60Hz
8	1	471 8622-01	Nipple	Raccord	3	1/2"-3/4" 50Hz -97/35926
8A	1	471 8693-02	Nipple	Raccord	3	1/2"-3/4" 97/35927-
8B	1	471 8693-21	•Filter	•Filtre	1	97/35927-
9	1	471 2937-01	Bracket	Support	3	
10	2	471 8623-01	Connection	Embrayage	3	1/2"
11	RQ	877 5252-01	Hose	Flexible	1	Per 1 m PER 1M
12	2	736 2825-51	Hose clamp	Attache flexible	3	Ø32
13	RQ	877 5211-08	Hose	Flexible	1	Per 1 m PER 1M
14	8	736 2816-51	Hose clamp	Attache flexible	3	Ø13-19
15	1	438 0145-12	Hose	Flexible	3	
16	1	736 2828-51	Hose clamp	Attache flexible	3	
17	1	438 0127-01	Lock	Serrure	3	
18	1	471 4792-01	Tool	Outil	3	
19	1	471 2449-72	Hose	Flexible	1	
20	2	471 8175-01	Plug	Fiche	3	
21	1	471 8693-21	Filter	Filtre	3	



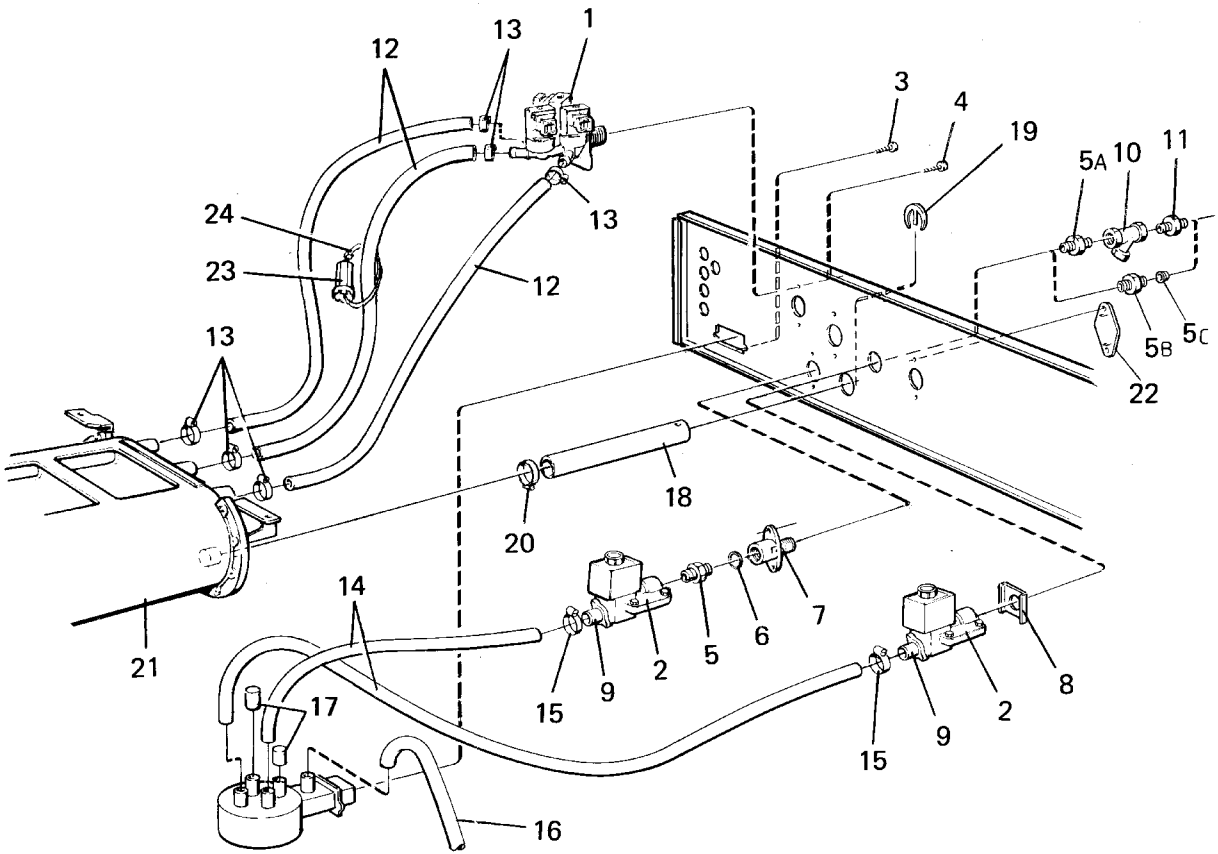
W185 93/6237-

Water connections

Raccords d'eau

Illustration	Issue	Month	Year
Schéma	Issue	Month	Year
101189	5	9	1997

Item Article	Qua. Qua.	Art.No Réf. article	Description	Description	Info Info	Notes Remarques
22	1	472 6761-01	Cover washer	Rondelle protection	3	
23	1	744 3115-06	Filter	Filtre	3	R 3/4"
24	1	471 2094-92	Nipple	Raccord	3	60Hz
25	1	438 0253-20	Detergent container	Compartment à savon	1,2	See group US8802
26	1	762 9105-05	Cable strap	Serre-câble	3	



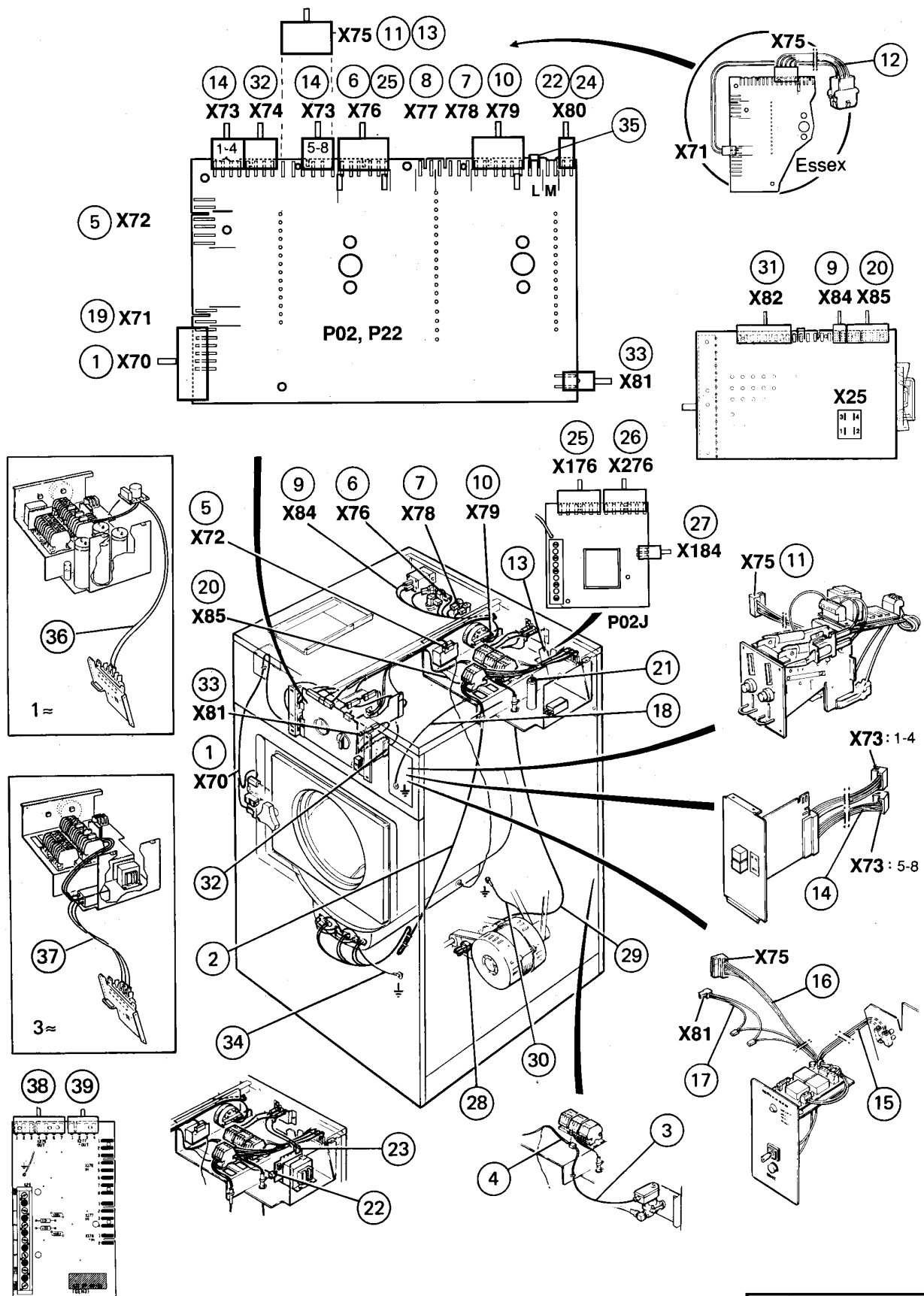
FL185 HI-TEK

Water connections

Raccords d'eau

Illustration Issue Month Year
Schéma Issue Month Year
101191 4 3 1995

Item Article	Qua. Qua.	Art.No Réf. article	Description	Description	Info Info	Notes Remarques
1	1	471 8236-65	Valve	Electrovanne	1,2	3-way, 208-240V 50/60Hz, NH USA See group US8117
	1	471 8236-64	Valve	Electrovanne	1,2	3-way, 208-240V 50/60Hz, BSP See group US8117
2	2	471 8210-63	Valve	Electrovanne	1,2	60Hz See group US8125
	2	471 8210-02	Valve	Electrovanne	1,2	1/2" 220-240V 50Hz See group US8125
3	2	471 8317-01	Screw	Vis	3	
4	2	471 8341-11	Screw	Vis	3	MRT 4X6
5	1	471 8622-01	Nipple	Raccord	3	1/2"-3/4" 50Hz
5A	1	471 8622-01	Nipple	Raccord	3	1/2"-3/4" 50Hz -97/35926
5B	1	471 8693-02	Nipple	Raccord	3	1/2"-3/4" 97/35927-
5C	1	471 8693-21	•Filter	•Filtre	1	97/35927-
6	1	471 8199-01	Gasket	Joint	3	
7	1	438 0056-03	Nipple	Raccord	3	Black, 3/4"
	1	438 0056-04	Nipple	Raccord	3	White, 3/4", USA
8	1	471 2937-01	Bracket	Support	3	
9	2	471 8623-01	Connection	Embrayage	3	1/2"
10	1	744 3115-06	Filter	Filtre	3	R 3/4"
11	1	471 2094-92	Nipple	Raccord	3	60Hz
12	RQ	877 5211-08	Hose	Flexible	1	Per 1 m Per 1 M
13	6	736 2816-51	Hose clamp	Attache flexible	3	Ø13-19
14	RQ	877 5252-01	Hose	Flexible	1	Per 1 m Per 1 M
15	4	736 2825-51	Hose clamp	Attache flexible	3	Ø32
16	1	471 2449-72	Hose	Flexible	1	
17	2	471 8175-01	Plug	Fiche	3	
18	1	438 0145-12	Hose	Flexible	1	
19	1	438 0127-01	Lock	Serrure	3	
20	1	736 2828-51	Hose clamp	Attache flexible	3	
21	1	438 0253-20	Detergent container	Compartment à savon	1,2	See group US8802
22	1	472 6761-01	Cover washer	Rondelle protection	3	
23	1	471 4792-01	Tool	Outil	1,2	
24	1	762 9105-05	Cable strap	Serre-câble	3	



Issue	Month	Year
05	09	97

W185

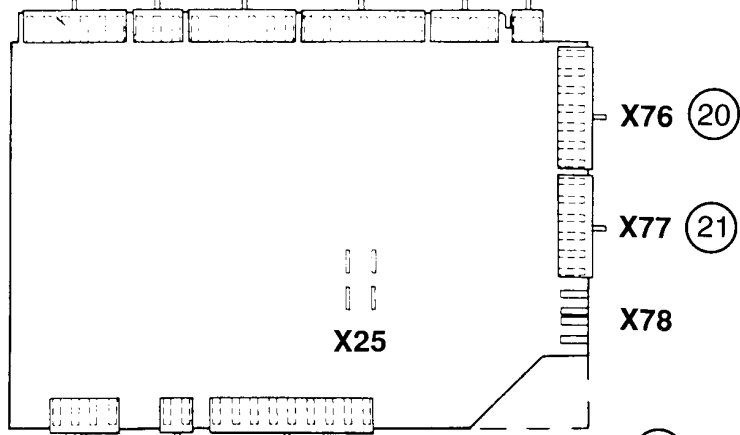
Cables P02,22

Câble P02,22

Illustration Issue Month Year
Schéma Issue Month Year
101144/5 3 3 2010

Item Article	Qua. Qua.	Art.No Réf. article	Description	Description	Info Info	Notes Remarques
1	1	438 3030-10	Cables	Câble	3	DOOR LOCK,X70, -92/5065
	1	438 3089-03	Cables	Câble	3	DOOR LOCK,X70, 92/5066-
2	1	438 3021-31	Cables	Câble	3	18KW 230V Heating
	1	438 3021-30	Cables	Câble	3	12KW 230V, 18KW 400V Heating
3	1	438 3021-05	Cables	Câble	3	HEATING DS
4	1	438 3021-04	Cables	Câble	3	DS,NEUTRAL HARNESS
5	1	438 3086-08	Cables	Câble	3	THERMOSTAT,X72
6	1	438 3019-50	Cables	Câble	3	COLD WATER,X76
7	1	438 3019-51	Cables	Câble	3	HOT WATER,X78
	1	438 3019-56	Cables	Câble	3	HOT WATER,X78,JAPAN P02J
8	1	438 3019-53	Cables	Câble	3	COLD HARD WATER,X77
9	1	438 3019-29	Cables	Câble	3	DRAIN VALVE,WATER CONTROLLED
	1	438 3019-68	Cables	Câble	3	DRAIN VALVE,EL. CONTROLLED
	1	438 3019-13	Cables	Câble	3	DRAIN VALVE N.C.,4-POLE
10	1	438 3086-06	Cables	Câble	3	LEVEL CONTROL,X79
	1	438 3086-60	Cables	Câble	3	LEVEL CONTROL,X79 JAPAN, P02J
11	1	438 3019-37	Cables	Câble	3	COIN-METER,X75
12	1	438 3019-32	Cables	Câble	3	ESSEX COIN-METER,X71,X75
13	1	438 3019-82	Cables	Câble	3	COGES COIN-METER,X75
14	1	438 3030-41	Cables	Câble	3	MANUAL START,X73 See illustr. 500140
15	1	438 3019-07	Cables	Câble	3	CP800
16	1	438 3019-02	Cables	Câble	3	CP800 START,X75
17	1	438 3019-03	Cables	Câble	3	CP800,X81
18	1	438 3019-21	Cables	Câble	3	GROUND(GREENWALD)
19						Not used
20	1	438 3014-02	Cables	Câble	3	MOTOR RELAY,X85
21	1	438 3010-13	Cables	Câble	3	EXTRA CAPACITOR
22	1	438 3082-12	Cables	Câble	3	2-POLE TRAF0 IN,X80
23	1	438 3009-11	Cables	Câble	3	2-POLE TRAF0
24	1	438 3019-19	Cables	Câble	3	2-POLE IN,X80
25	1	438 3086-09	Cables	Câble	3	X76-X176,JAPAN,P02J
26	1	438 3086-12	Cables	Câble	3	COLD WATER,X276,JAPAN, P02J
27	1	438 3019-49	Cables	Câble	3	LEVEL CONTROL,X184,P02J
28	1	471 8748-01	Cables	Câble	3	230V MOTOR PLUG
	1	471 8748-02	Cables	Câble	3	400V MOTOR PLUG
29	1	438 3014-21	Cables	Câble	3	MOTOR START RELAY, -92/4779
	1	438 3014-22	Cables	Câble	3	MOTOR START RELAY, 92/4780-
	1	438 3014-23	Cables	Câble	3	MOTOR 3AC
30	1	438 3019-23	Cables	Câble	3	GROUND MOTOR/FRAME
31	1	438 3089-05	Cables	Câble	3	ROTARY SWITCH,X82-X182
32	1	438 3084-05	Cables	Câble	3	STOP,X74-X174
33	1	438 3082-15	Cable set	Jeu de câbles	3	PILOT LAMP,X81
34	1	438 3019-22	Cables	Câble	3	GROUND,HEATING ELEMENTS
35	1	438 3014-13	Cables	Câble	3	LC-FILTER 3AC, 94/9532-
	1	438 3014-12	Cables	Câble	3	LC-FILTER 3AC TRAF0, 94/9532-

(7) (4) (5) (16) (10) (9) (13)
 X70 X71 X72 X73 X74 X75



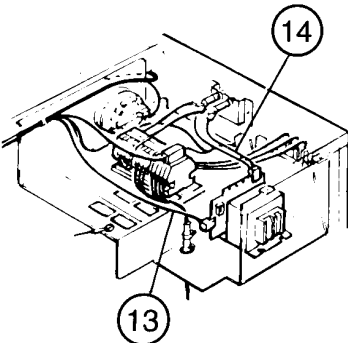
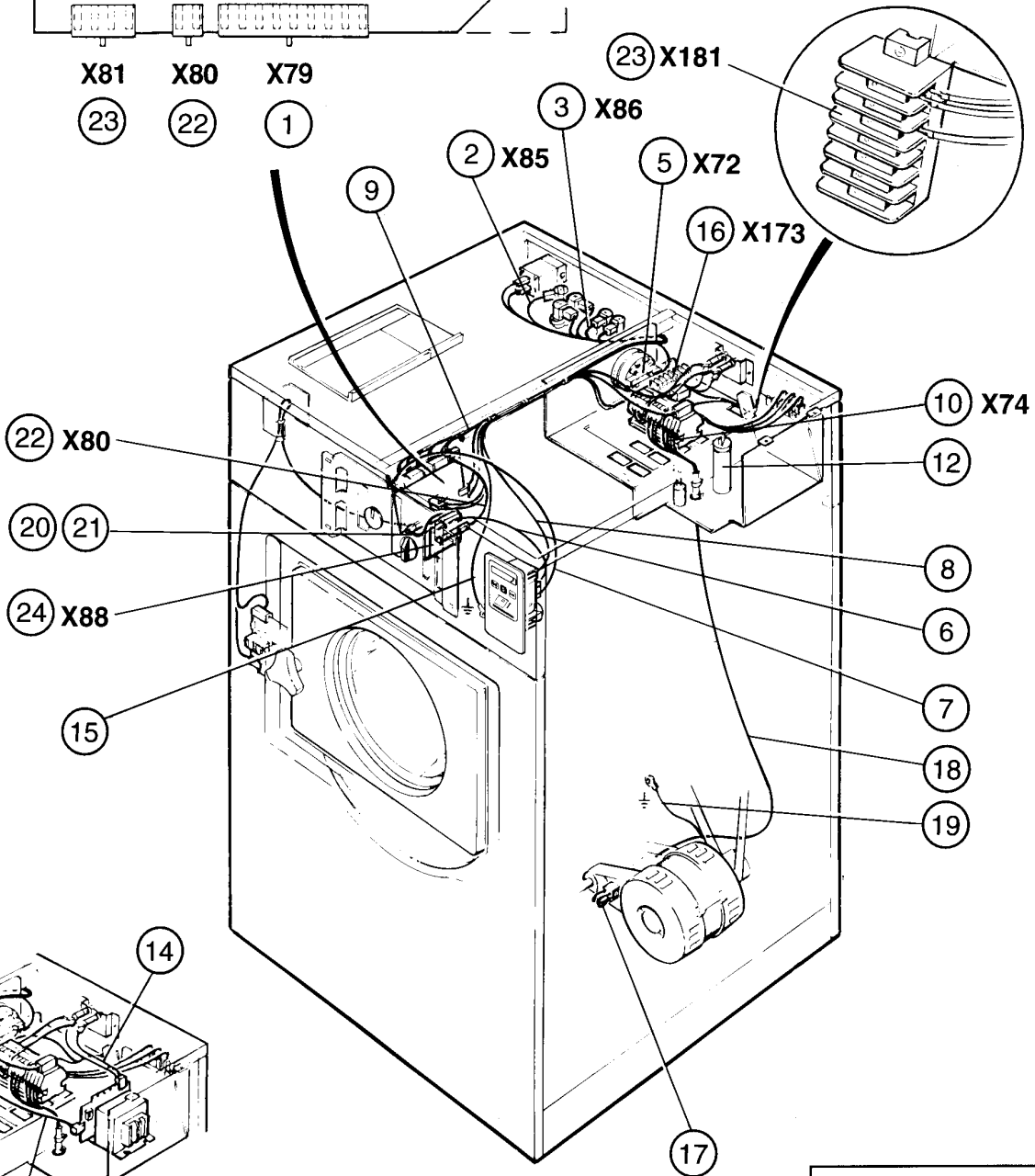
X81 X80 X79
 (23) (22) (1)

(23) X181

(3) X86

(5) X72

(16) X173



Issue	Month	Year
01	02	99

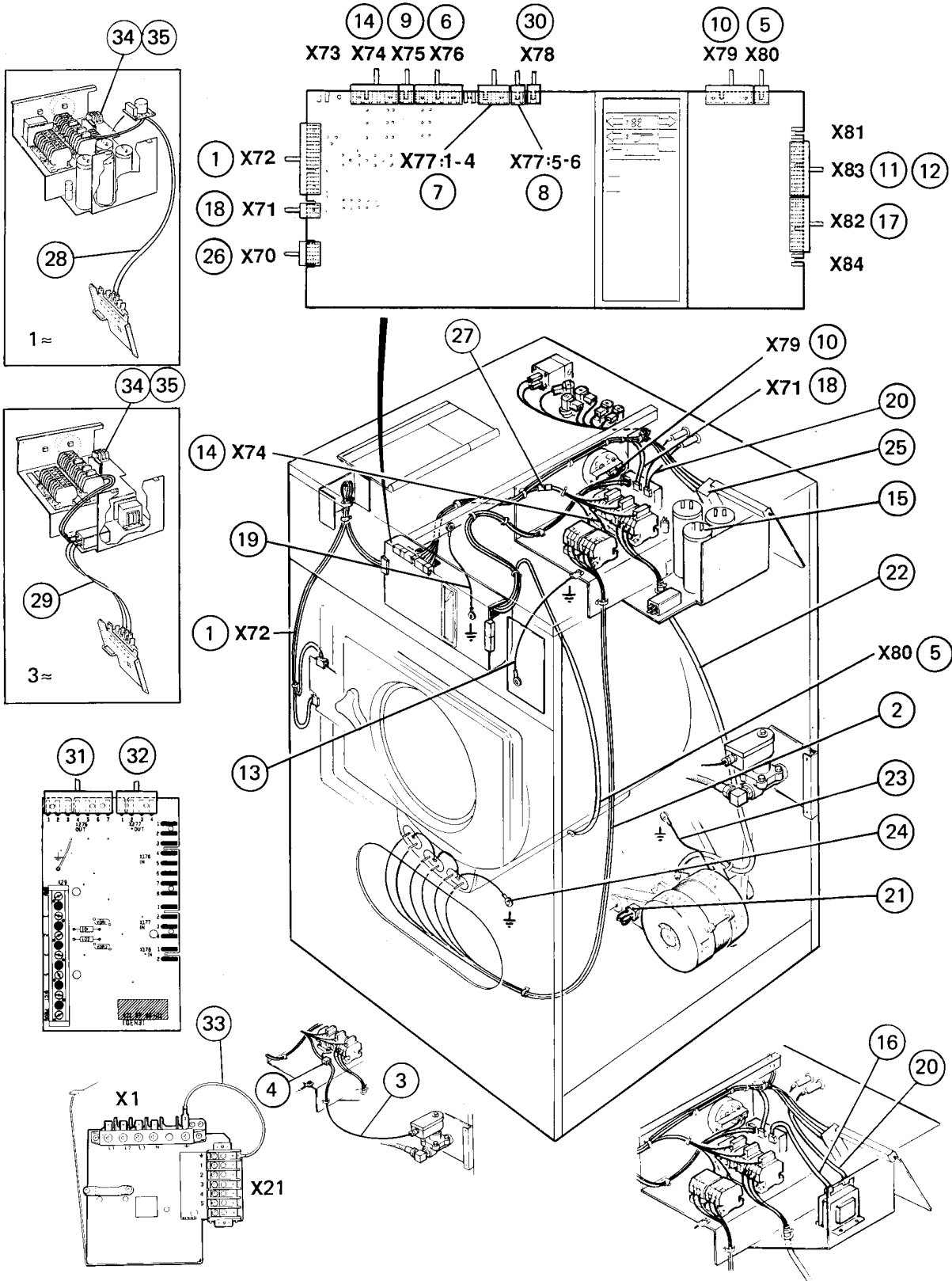
W185

Cables for single system

Cables for single system

Illustration Issue Month Year
Schéma Issue Month Year
101664 1 2 2000

Item Article	Qua. Qua.	Art.No Réf. article	Description	Description	Info Info	Notes Remarques
1	1	438 3089-03	Cables	Câble	3	DOOR LOCK X79
2	1	438 3086-01	Cables	Câble	3	COLD WATER,POWDER, X85
	1	438 3084-22	Cables	Câble	3	COLD WATER,LIQUID, X85
3	1	438 3086-22	Cables	Câble	3	HOT WATER,POWDER, X86
	1	438 3084-08	Cables	Câble	3	HOT WATER,LIQUID, X86
4	1	438 3019-29	Cables	Câble	3	DRAIN VALVE,WATER CONTROLLED
	1	438 3019-68	Cables	Câble	3	DRAIN VALVE,X71 EL. CONTR.
5	1	438 3086-06	Cables	Câble	3	LEVEL CONTROL,X72
6	1	438 3022-13	Cables	Câble	3	Feedback signal
7	1	438 3022-14	Cables	Câble	3	Output, singlesystem, X70
8	1	438 3022-11	Cables	Câble	3	Power supply, single system, X22
9	1	438 3022-15	Cables	Câble	3	X75
10	1	438 3019-21	Cables	Câble	3	Ground
11	1	438 3014-53	Cables	Câble	3	NEUTRAL,RELAYS
12	1	438 3010-13	Cables	Câble	3	EXTRA CAPACITOR
13	1	438 3082-12	Cables	Câble	3	2-POLE TRAF0 IN,X80 TRAF0, X75
14	1	438 3009-11	Cables	Câble	3	2-POLE TRAF0 Trafo
15	1	438 3019-19	Cables	Câble	3	2-POLE IN,X80 X75
16	1	438 3019-84	Cables	Câble	3	OPTIONS,X73
17	1	471 8748-01	Cables	Câble	3	230V PLUG MOTOR
	1	471 8748-02	Cables	Câble	3	400V PLUG MOTOR
18	1	438 3014-21	Cables	Câble	3	MOTOR START RELAY,
	1	438 3014-22	Cables	Câble	3	MOTOR START RELAY,
	1	438 3014-24	Cables	Câble	3	MOTOR 3AC
19	1	471 4878-01	Cables	Câble	3	GROUND MOTOR-FRAME
20	1	438 3087-10	Cable set	Jeu de câbles	3	ROTARY SWITCH,X76
21	1	438 3086-11	Cables	Câble	3	ROTARY SWITCH, X77
22	1	438 3082-15	Cable set	Jeu de câbles	3	PILOT LAMP,X80
23	1	438 3019-75	Cables	Câble	3	CONNECTION LIQUID SUPPLY, X8
24	1	438 3082-72	Cables	Câble	3	ROTARY SWITCH, X88



Issue	Month	Year
06	12	97

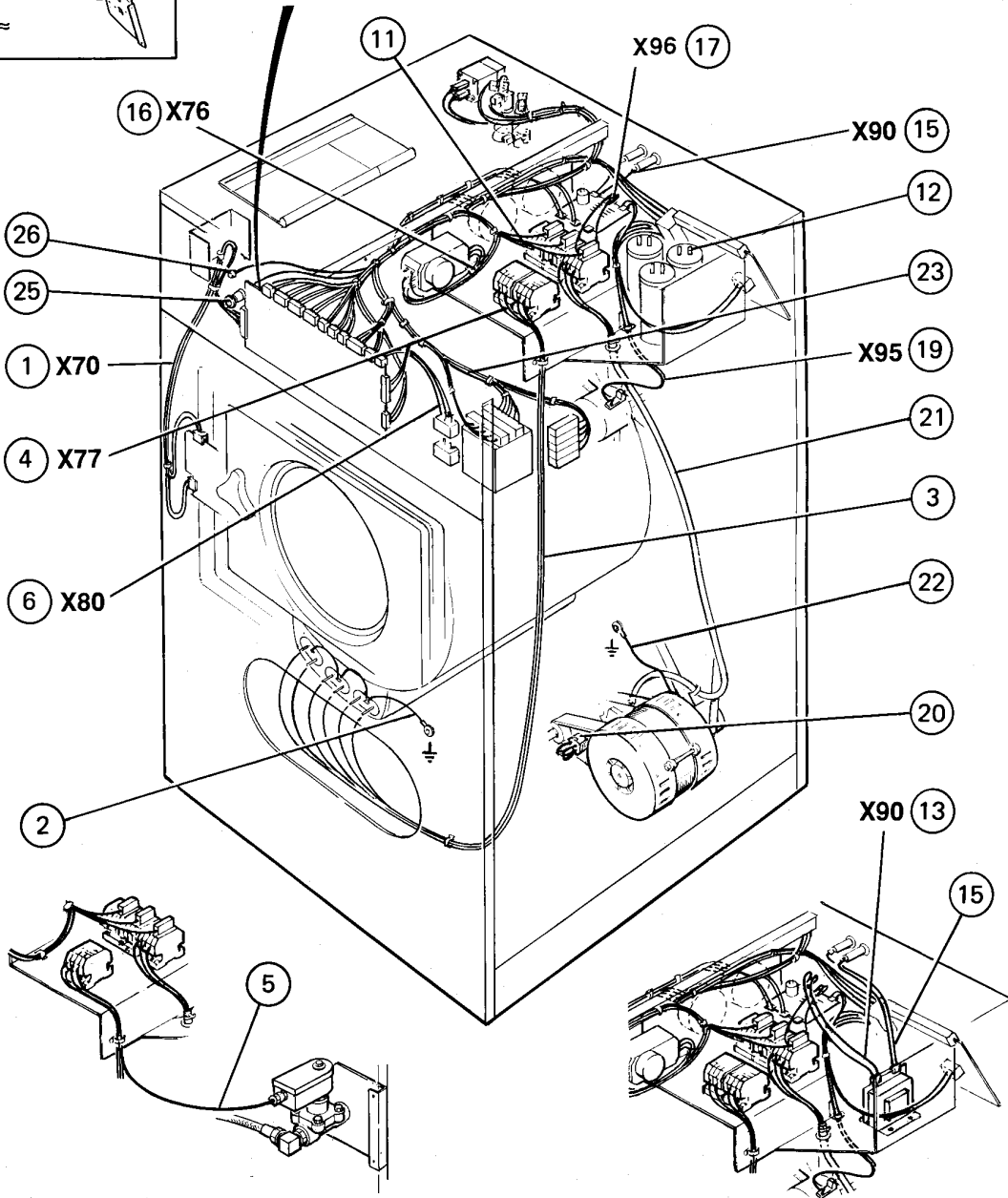
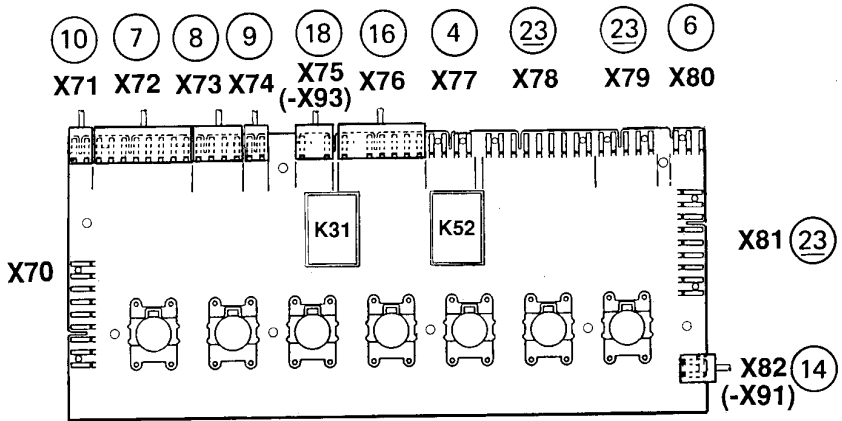
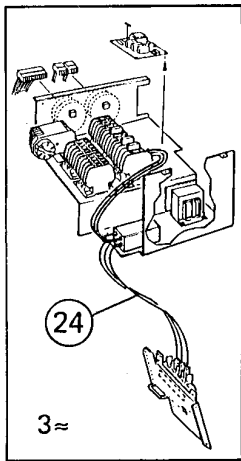
SE185,W185 EMERALD

Cables

Câble

Illustration Issue Month Year
Schéma Issue Month Year
101137/6 4 4 1996

Item Article	Qua. Qua.	Art.No Réf. article	Description	Description	Info Info	Notes Remarques
1	1	438 3087-02	Cables	Câble	3	DOOR LOCK,X72, -92/5065
	1	438 3087-06	Cables	Câble	3	DOOR LOCK,X72, 92/5066-
2	1	438 3021-31	Cables	Câble	3	18KW 230V Heating
	1	438 3021-30	Cables	Câble	3	12KW 230V, 18KW 400V Heating
3	1	438 3021-05	Cables	Câble	3	HEATING DS
4	1	438 3021-04	Cables	Câble	3	DS,NEUTRAL
5	1	438 3082-07	Cables	Câble	3	TEMP SENSOR,X80
6	1	438 3019-55	Cables	Câble	3	COLD WATER,X76
7	1	438 3019-52	Cables	Câble	3	HOT WATER,X77:1-4
8	1	438 3019-53	Cables	Câble	3	COLD HARD WATER,X77:5-6
9	1	438 3019-29	Cables	Câble	3	DRAIN VALVE,WATER CONTROLLED
	1	438 3019-68	Cables	Câble	3	DRAIN VALVE,EL. CONTROLLED
10	1	438 3086-06	Cables	Câble	3	LEVEL CONTROL,X79
11	1	438 3030-83	Cables	Câble	3	COIN-METER,X83
12	1	438 3019-41	Cables	Câble	3	PRICE PROGRAMMING
13	1	438 3019-21	Cables	Câble	3	GROUND(GEEENWALD)
14	1	438 3019-83	Cables	Câble	3	MOTOR RELAY,X74
15	1	438 3010-13	Cables	Câble	3	EXTRA CAPACITOR
16	1	438 3082-13	Cables	Câble	3	2-pole trafo-trafo
17	1	438 3087-03	Cables	Câble	3	TRAFO,X82,7-POLE
18	1	438 3082-12	Cables	Câble	3	2-POLE TRAFO IN,X80 X71
19	1	438 3019-24	Cables	Câble	3	GROUND,PC-BOARD
20	1	438 3009-11	Cables	Câble	3	2-POLE TRAFO
21	1	471 8748-01	Cables	Câble	3	230V MOTOR PLUG
	1	471 8748-02	Cables	Câble	3	400V MOTOR PLUG
22	1	438 3014-21	Cables	Câble	3	MOTOR START RELAY, -92/4779
	1	438 3014-22	Cables	Câble	3	MOTOR START RELAY, 92/4780-
	1	438 3014-23	Cables	Câble	3	MOTOR 3AC
23	1	438 3019-23	Cables	Câble	3	GROUND MOTOR/FRAME
24	1	438 3019-22	Cables	Câble	3	GROUND,HEATING ELEMENTS
25	1	438 3019-27	Cables	Câble	3	SELECTA 28
	1	438 3019-80	Cables	Câble	3	X7-X21 94/9532-
26	1	438 3019-69	Cables	Câble	3	ADAPTER,X70-X7
27	1	438 3019-70	Cables	Câble	3	K4-X7 94/9532-
28	1	438 3014-11	Cables	Câble	3	LC-FILTER 1AC, 94/9532-
29	1	438 3014-13	Cables	Câble	3	LC-FILTER 3AC, 94/9532-
	1	438 3014-12	Cables	Câble	3	LC-FILTER 3AC TRAFO, 94/9532-
30	1	438 3082-27	Cables	Câble	3	X78-X178, LIQUID DETERGENT
31	1	438 3019-63	Cables	Câble	3	X276, LIQUID DETERGENT
32	1	438 3019-62	Cables	Câble	3	X277, LIQUID DETERGENT



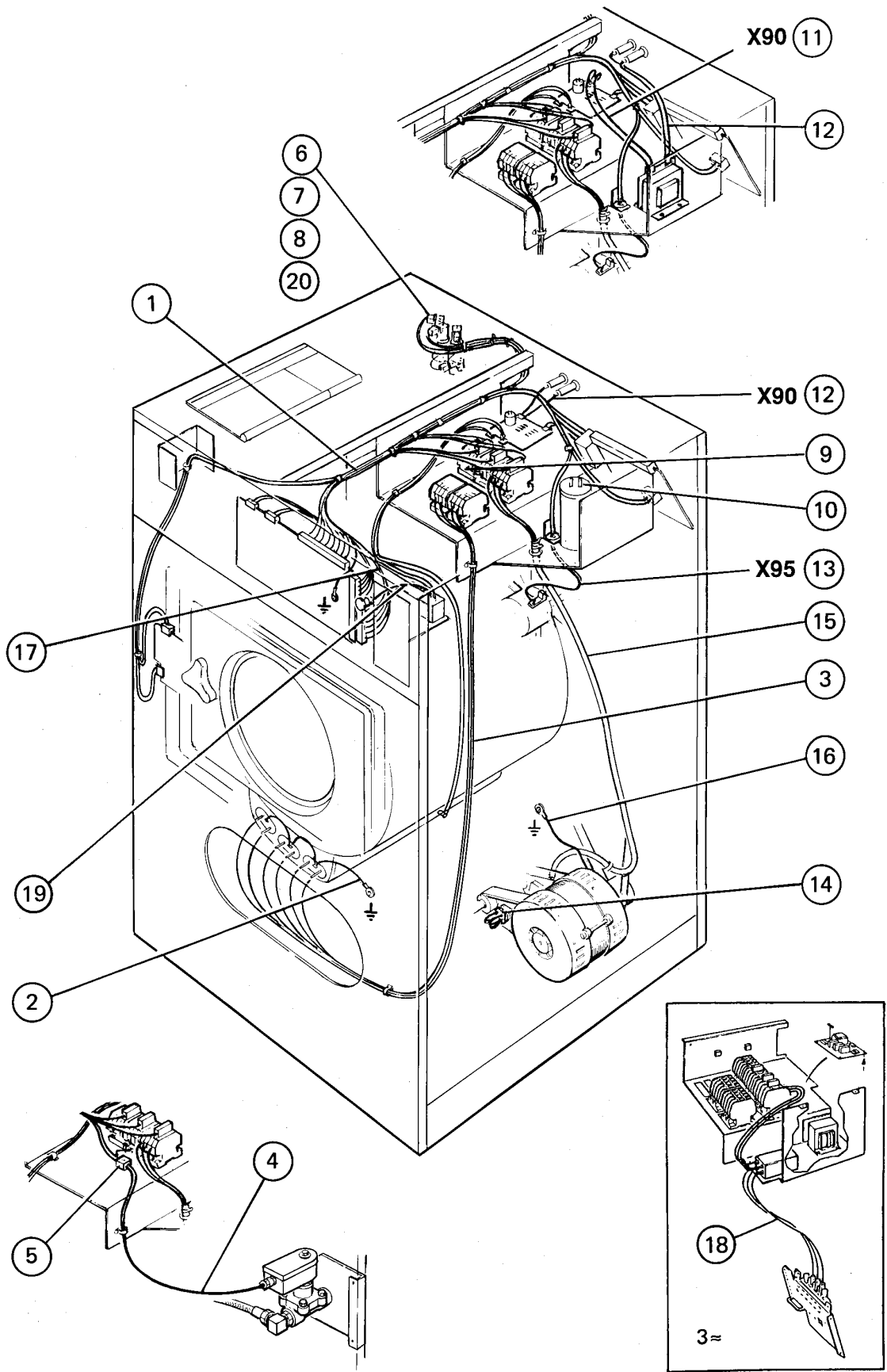
FL185

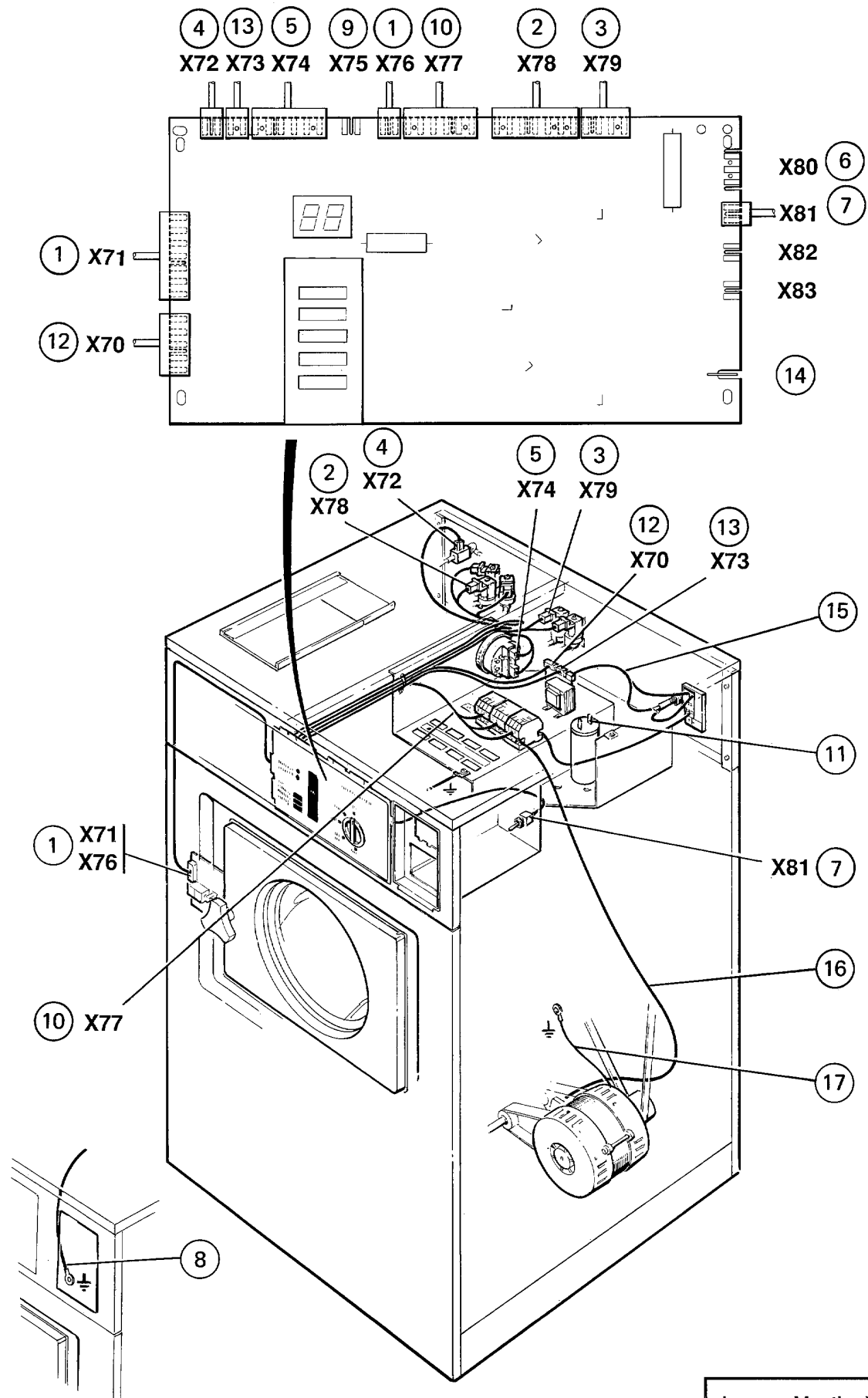
Cables

Câble

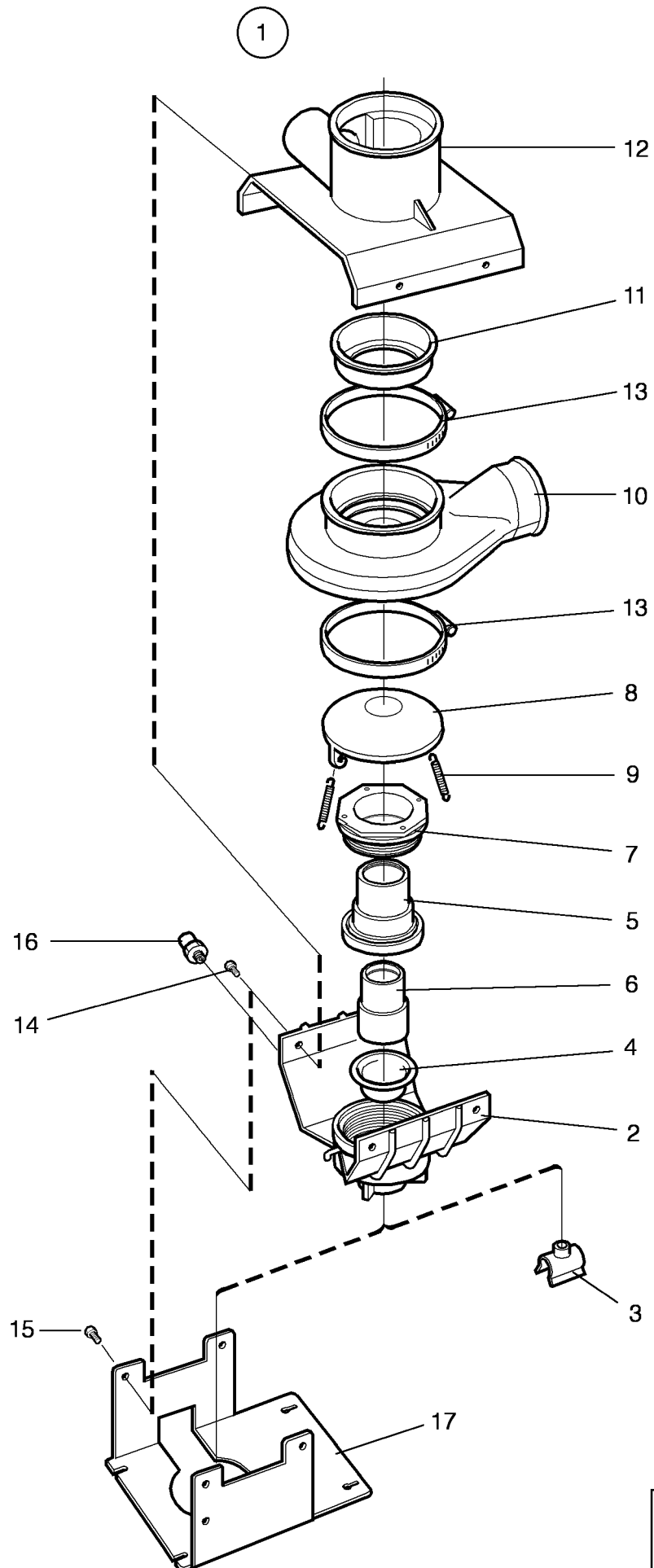
Illustration Issue Month Year
Schéma Issue Month Year
101138 3 3 1996

Item Article	Qua. Qua.	Art.No Réf. article	Description	Description	Info Info	Notes Remarques
1	1	438 3089-01	Cables	Câble	3	DOOR LOCK,X70, -92/5065
	1	438 3089-02	Cables	Câble	3	DOOR LOCK,X70, 92/4780-
2	1	438 3019-22	Cables	Câble	3	GROUND,HEATING ELEMENTS
3	1	438 3021-31	Cables	Câble	3	18KW 230V Heating
	1	438 3021-30	Cables	Câble	3	12KW 230V, 18KW 400V 3AC
4	1	438 3009-07	Cables	Câble	3	K21,X77, -95/11023
	1	438 3009-52	Cables	Câble	3	X77 NON-HEATED, 95/11024-
	1	438 3009-53	Cables	Câble	3	X77 HEATED, 95/11024-
5	1	438 3021-05	Cables	Câble	3	HEATING,DS
6	1	438 3009-20	Cables	Câble	3	THERMOSTAT ,X80
7	1	438 3009-30	Cables	Câble	3	COLD WATER,X72
8	1	438 3009-31	Cables	Câble	3	HOT WATER,X73
9	1	438 3019-53	Cables	Câble	3	COLD HARD WATER,X74
10	1	438 3019-29	Cables	Câble	3	DRAIN VALVE,WATER CONTROLLED
	1	438 3019-68	Cables	Câble	3	DRAIN VALVE,EL. CONTROLLED
11	1	438 3014-50	Cables	Câble	3	MOTOR RELAY,NEUTRAL SIDE
12	1	438 3010-13	Cables	Câble	3	EXTRA CAPACITOR
13	1	438 3082-13	Cables	Câble	3	2-pole trafo-trafo TRAFO/ROTATION GUARD -94/9531
	1	438 3009-09	Cables	Câble	3	X90 94/9532-95/11023
	1	438 3082-13	Cables	Câble	3	2-pole trafo-trafo X90 95/11024-
14	1	438 3082-11	Cables	Câble	3	2-POLE TRAFO IN,X80 ROT, GUARD-PCB,X82 -94/11023
	1	438 3009-50	Cables	Câble	3	X91-X82 95/11024-
15	1	438 3009-08	Cables	Câble	3	ROTATION GUARD, X90 -94/9531
	1	438 3009-10	Cables	Câble	3	X90 94/9532-95/11023
	1	438 3009-08	Cables	Câble	3	X90 95/11024-
16	1	438 3009-02	Cables	Câble	3	REVERSER,X76
17	1	438 3082-51	Cables	Câble	3	ROTATION GUARD, X96 -95/12625
	1	438 3082-73	Cables	Câble	3	ROTATION GUARD, X96 95/12626-
18	1	438 3083-01	Cables	Câble	3	ROTATION GUARD-PC- BOARD.X75
19	1	438 3083-02	Cables	Câble	3	SENSOR,X95
20	1	471 8748-01	Cables	Câble	3	230V MOTOR PLUG
	1	471 8748-02	Cables	Câble	3	400V MOTOR PLUG
21	1	438 3014-21	Cables	Câble	3	MOTOR START RELAY, -92/4779
	1	438 3014-22	Cables	Câble	3	MOTOR START RELAY, 92/4780-
	1	438 3014-23	Cables	Câble	3	MOTOR 3AC
22	1	438 3019-23	Cables	Câble	3	GROUND,MOTOR/FRAME
23	1	438 3009-28	Cables	Câble	3	MAIN HARNESS,X78,X79,X81, ETC
24	1	438 3014-13	Cables	Câble	3	LC-FILTER 3AC, 94/9532-
	1	438 3014-12	Cables	Câble	3	LC-FILTER 3AC TRAFO, 94/9532-
25						Not used
26						Not used





W185 HI-TEK					Illustration	Issue	Month	Year
Cables					Schéma	Issue	Month	Year
Câble					101149	2	10	1995
Item Article	Qua. Qua.	Art.No Réf. article	Description	Description	Info Info	Notes Remarques		
1	1	438 3030-12	Cables	Câble	3	Door lock, X71		
2	1	438 3019-55	Cables	Câble	3	COLD WATER,X78		
3	1	438 3019-52	Cables	Câble	3	HOT WATER,X79		
4	1	438 3019-29	Cables	Câble	3	DRAIN VALVE,X72		
5	1	438 3086-06	Cables	Câble	3	LEVEL CONTROL,X74		
6	1	438 3030-81	Cables	Câble	3	COIN-METER,X80		
7	1	438 3019-30	Cables	Câble	3	PROGRAMME CONTROL,X81		
8	1	438 3019-43	Cables	Câble	3	GROUND,GREENWALD		
9	1	471 4878-33	Cables	Câble	3	MANUAL START,X75		
10	1	438 3019-83	Cables	Câble	3	MOTOR-RELAY,X77		
	1	438 3014-52	Cables	Câble	3	MOTOR-RELAY, NEUTRAL SIDE		
11	1	438 3010-13	Cables	Câble	3	EXTRA CAPACITOR		
12	1	438 3085-03	Cables	Câble	3	TRAFO,X70		
13	1	438 3082-14	Cables	Câble	3	X73		
14	1	438 3019-48	Cables	Câble	3	Ground		
15	1	438 3009-11	Cables	Câble	3	2-POLE TRAFO Trafo		
16	1	438 3014-21	Cables	Câble	3	MOTOR WITH RELAY -93/4779		
	1	438 3014-22	Cables	Câble	3	MOTOR WITH RELAY 93/4780-		
	1	438 3014-23	Cables	Câble	3	MOTOR 3AC		
17	1	438 3019-23	Cables	Câble	3	Ground		



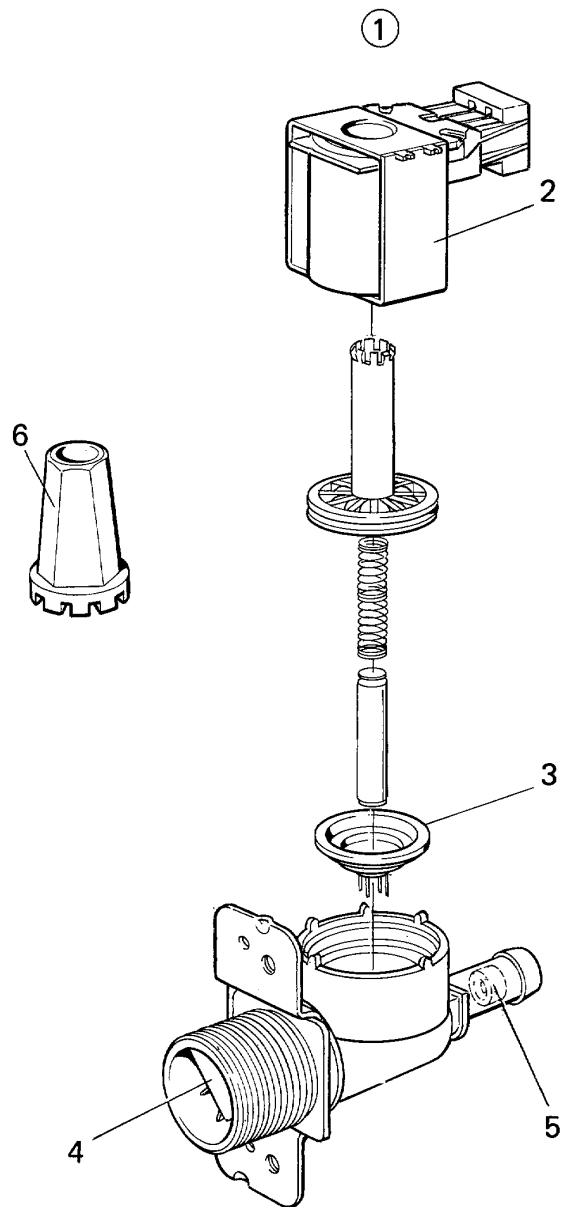
FL185,FL185 HI-TEK,SE185,W185,W185 EMERALD,W185 HI-TEK

Drain valve

Illustration Issue Month Year
Schéma Issue Month Year
100771/3 7 10 2002

Vanne de vidange

Item Article	Qua. Qua.	Art.No Réf. article	Description	Description	Info Info	Notes Remarques
1	1	438 0093-01	Drain valve	Vanne de vidange	1,2	Complete
2	1	438 0051-01	•Lower frame	•Châssis inférieur	3	
3	1	438 0085-01	•Clip	•Colliers de serrage	3	
4	1	471 8195-01	•Diaphragm	•Diaphragme	1	
5	1	438 0053-01	•Housing	•Logement	3	
6	1	438 0054-01	•Piston	•Piston	3	
7	1	438 0055-01	•Gland	•Presse-étoupe	3	
8	1	438 0052-01	•Cover	•Couvercle	3	
9	2	471 7818-01	•Spring	•Ressort	3	
10	1	438 0028-01	•Hose housing	•Membrane de vidange	1	
11	1	472 6012-00	•Rubber ring	•Rondelle caoutchouc	3	
12	1	472 6011-00	•Hose connection	•Connexion flexible	3	
13	1	471 7851-02	•Hose clamp	•Attache flexible	3	
14	4	471 8317-05	•Screw	•Vis	3	
15	1	471 8688-13	•Nipple	•Raccord	3	1/8"



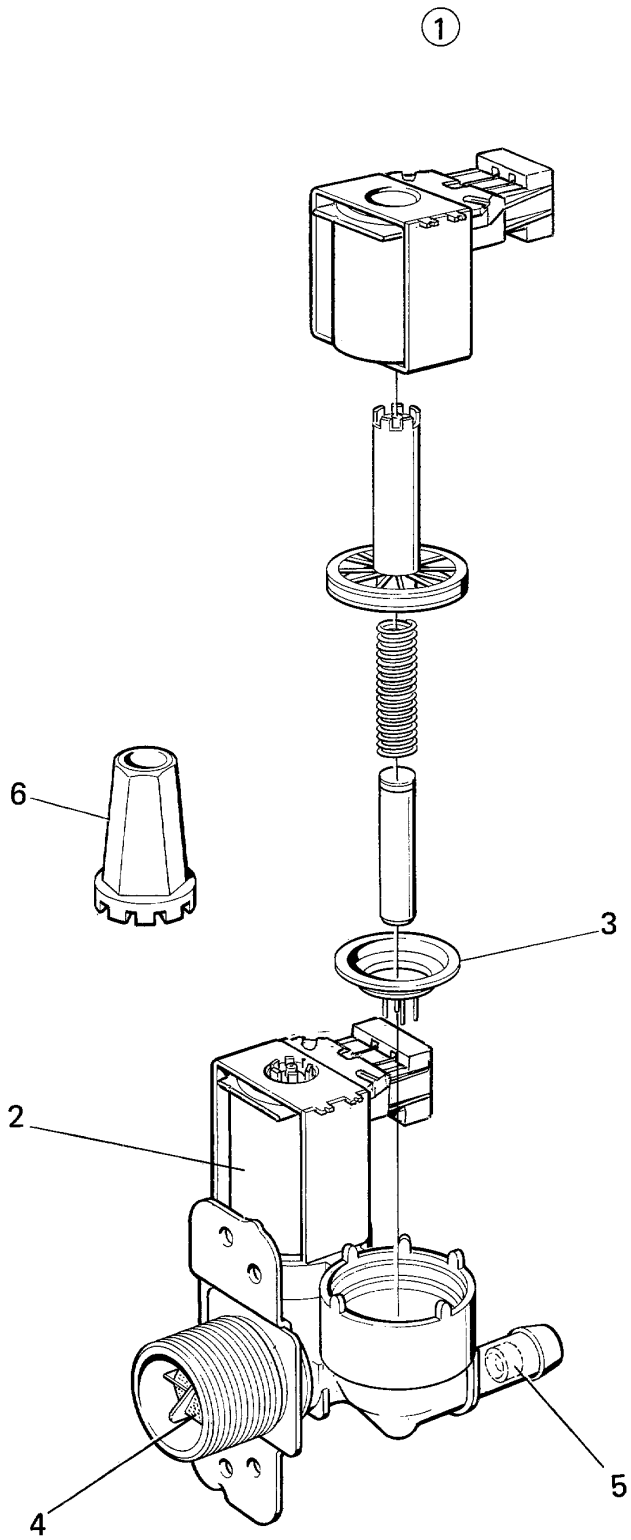
FL185,SE185,W185

Inlet valve 3/4", 1-way

Soupape de admission 3/4", 1 voie

Illustration Issue Month Year
Schéma Issue Month Year
100799/1 4 10 2002

Item Article	Qua. Qua.	Art.No Réf. article	Description	Description	Info Info	Notes Remarques
1	1	471 8234-51	Valve	Electrovanne	1,2	208-240V Restriction 5,5l/min
	1	471 8234-52	Valve	Electrovanne	1,2	1-way, 208-240V 50/60Hz, BSP
	1	471 8234-53	Valve	Electrovanne	1,2	120V 60Hz
	1	471 8234-56	Valve	Electrovanne	1,2	208-240V Restriction 10l/min
2	1	471 8234-58	Valve	Electrovanne	1,2	208-240V
	1	471 6860-15	•Coil	•Bobine	1,2	120V Green
	1	471 6860-16	•Coil	•Bobine	1,2	120V Orange
	1	471 6860-17	•Coil	•Bobine	1,2	120V White
	1	471 6860-18	•Coil	•Bobine	1,2	208-240V Green
	1	471 6860-19	•Coil	•Bobine	1,2	208-240V Orange
3	1	471 6860-20	•Coil	•Bobine	1,2	208-240V White
	1	471 8234-98	•Diaphragm	•Diaphragme	1,2	NITRIL
4	1	471 8234-92	•Diaphragm	•Diaphragme	1,2	EPDM
	1	471 8234-94	•Filter	•Filtre	1	
5	1	471 8234-95	•Restrictor	•Réducteur de débit	3	2,5l/min
6	1	471 8234-96	•Restrictor	•Réducteur de débit	3	5,5l/min
	1	471 4792-01	Tool	Outil	3	



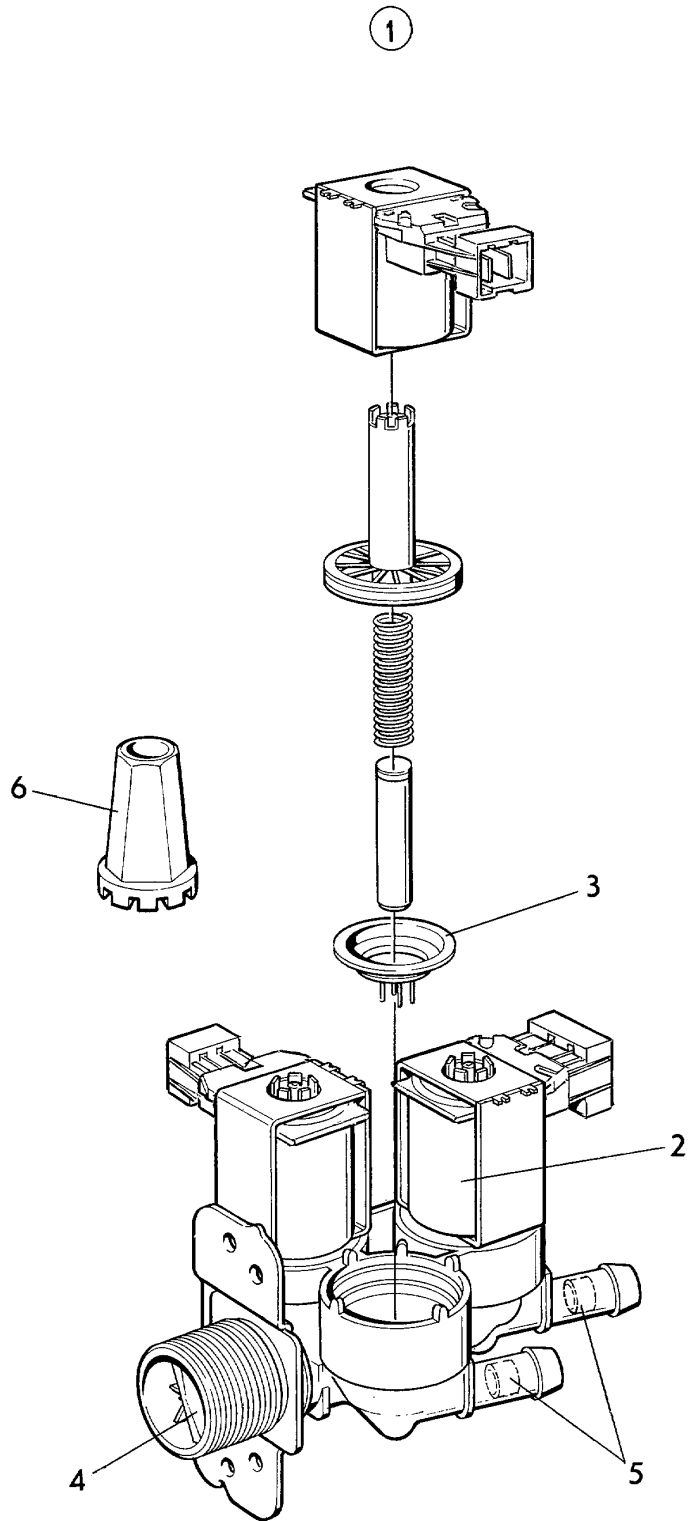
FL185,W185

Inlet valve 3/4", 2-way

Soupape de admission 3/4", 2 voies

Illustration Issue Month Year
Schéma Issue Month Year
100798/1 4 10 2002

Item Article	Qua. Qua.	Art.No Réf. article	Description	Description	Info Info	Notes Remarques
1	1	471 8235-51	Valve	Electrovanne	1,2	2-way, 208-240V 50/60Hz, BSP
	1	471 8235-54	Valve	Electrovanne	1,2	2-way, 208-240V 60Hz, NH USA USA
	1	471 8235-57	Valve	Electrovanne	1,2	2-way, 120V 60Hz, NH USA USA
2	1	471 6860-15	•Coil	•Bobine	1,2	120V Green
	1	471 6860-16	•Coil	•Bobine	1,2	120V Orange
	1	471 6860-17	•Coil	•Bobine	1,2	120V White
	1	471 6860-18	•Coil	•Bobine	1,2	208-240V Green
	1	471 6860-19	•Coil	•Bobine	1,2	208-240V Orange
	1	471 6860-20	•Coil	•Bobine	1,2	208-240V White
3	1	471 8234-98	•Diaphragm	•Diaphragme	1,2	NITRIL
	1	471 8234-92	•Diaphragm	•Diaphragme	1,2	EPDM
4	1	471 8234-94	•Filter	•Filtre	1	
5	1	471 8234-95	•Restrictor	•Réducteur de débit	3	2,5l/min
	1	471 8234-96	•Restrictor	•Réducteur de débit	3	5,5l/min
6	1	471 4792-01	Tool	Outil	3	



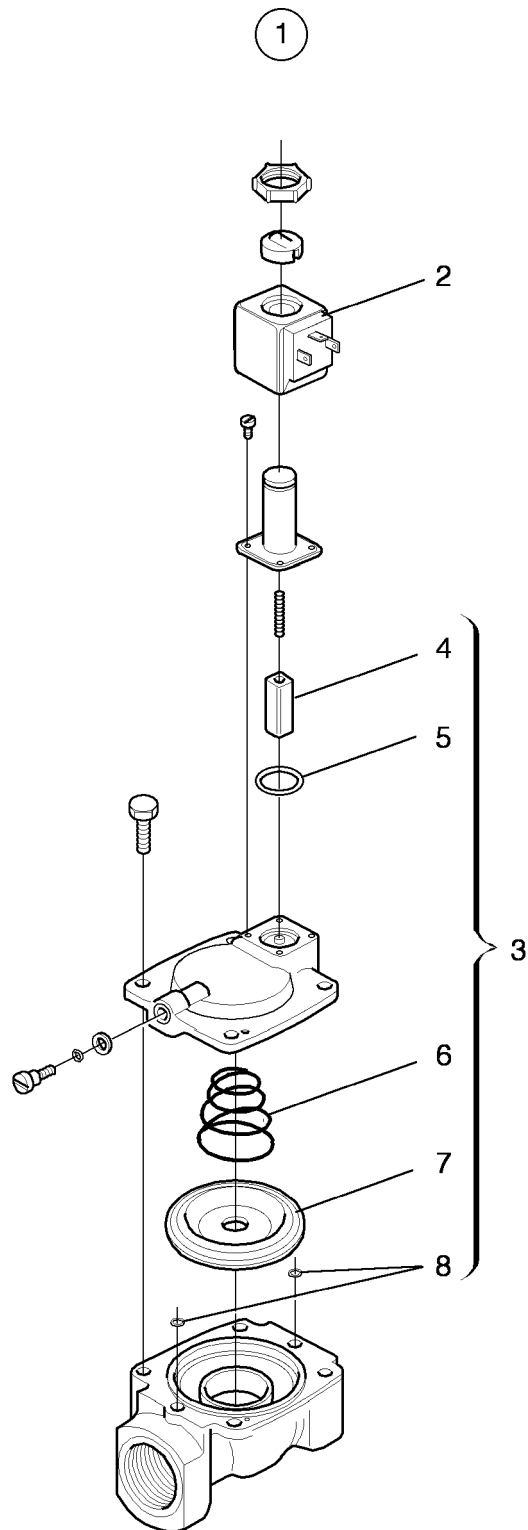
FL185,FL185 HI-TEK,W185

Inlet valve 3/4", 3-way

Soupape de admission 3/4", 3 voies

Illustration Issue Month Year
Schéma Issue Month Year
100797/1 6 10 2002

Item Article	Qua. Qua.	Art.No Réf. article	Description	Description	Info Info	Notes Remarques
1	1	471 8236-52	Valve	Electrovanne	1,2	3-way, 208-240V 50/60Hz, BSP Restriction 5,5/-/1/min
	1	471 8236-53	Valve	Electrovanne	1,2	3-way, 208-240V 60Hz, NH USA USA Restriction 5,5/-/1/min
	1	471 8236-54	Valve	Electrovanne	1,2	3-way, 120V 60Hz, NH USA USA Restriction 5,5/-/1/min
	1	471 8236-59	Valve	Electrovanne	1,2	3-way, 208-240V 50/60Hz, NH USA 3-way
	1	471 8236-66	Valve	Electrovanne	1,2	3-way, 120V 60Hz, NH USA Restriction -/5,5 1/min
2	1	471 6860-15	•Coil	•Bobine	1,2	120V Green
	1	471 6860-16	•Coil	•Bobine	1,2	120V Orange
	1	471 6860-17	•Coil	•Bobine	1,2	120V White
	1	471 6860-18	•Coil	•Bobine	1,2	208-240V Green
	1	471 6860-19	•Coil	•Bobine	1,2	208-240V Orange
	1	471 6860-20	•Coil	•Bobine	1,2	208-240V White
3	1	471 8234-98	•Diaphragm	•Diaphragme	1,2	NITRIL
	1	471 8234-92	•Diaphragm	•Diaphragme	1,2	EPDM USA
4	1	471 8234-94	•Filter	•Filtre	1	
5	1	471 8234-95	•Restrictor	•Réducteur de débit	3	2,5l/min
	1	471 8234-96	•Restrictor	•Réducteur de débit	3	5,5l/min
6	1	471 4792-01	Tool	Outil	3	



FL185,FL185 HI-TEK,SE185,W185

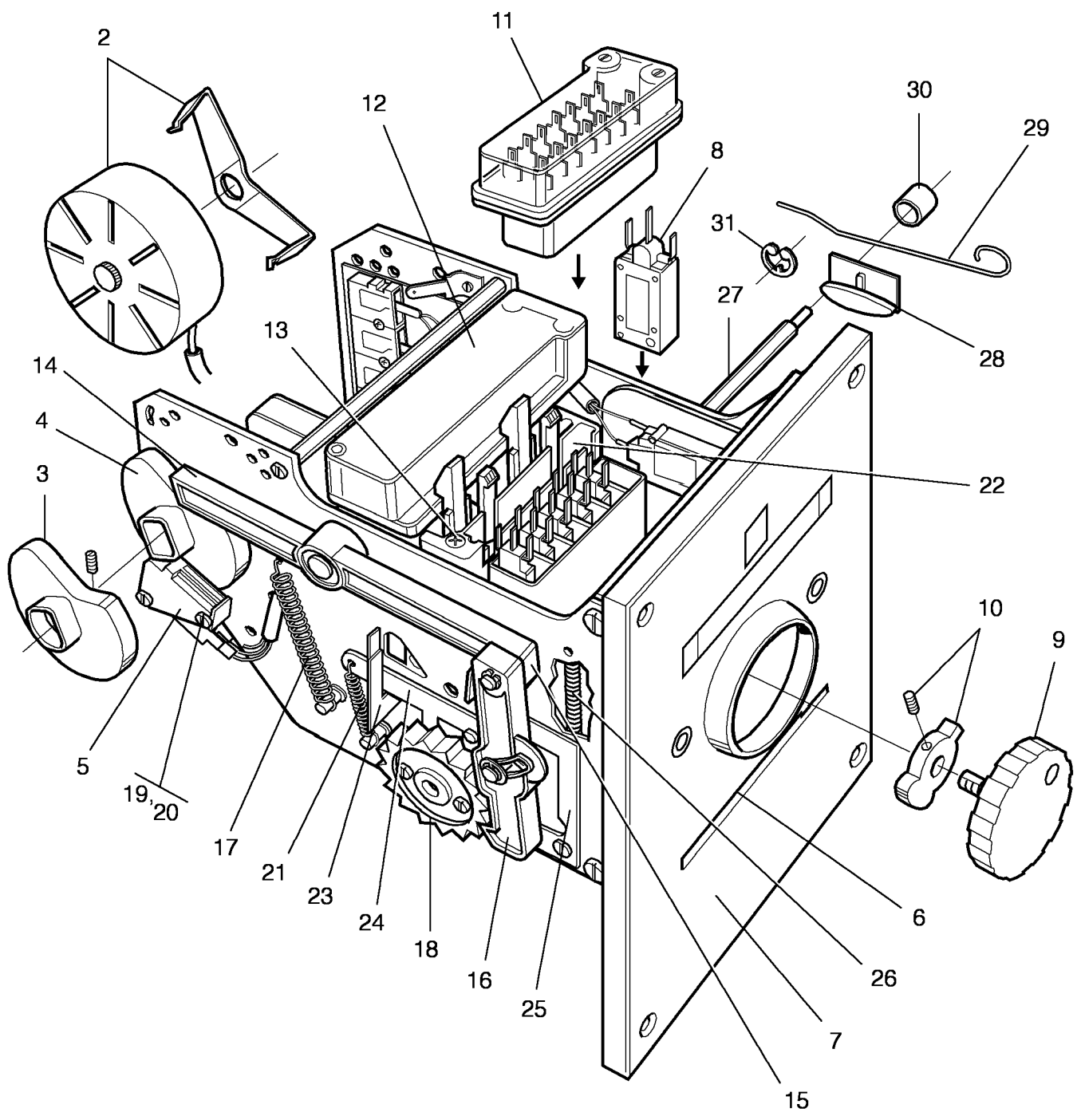
Inlet valve 1/2", 3/4", 1", 1 1/4", 2"

Soupape de admission 1/2", 3/4", 1", 1 1/4", 2"

Illustration Issue Month Year
Schéma Issue Month Year
100568 1 3 1990

Item Article	Qua. Qua.	Art.No Réf. article	Description	Description	Info Info	Notes Remarques	
1	1	471 8210-02	Valve	Electrovanne	1,2	1/2" 220-240V 50Hz Complete	
	1	471 8210-63	Valve	Electrovanne	1,2	60Hz Complete	
	1	471 8210-03	Valve	Electrovanne	1,2	1/2" 115V 60Hz Complete	
	1	471 8210-12	Valve	Electrovanne	1,2	3/4" 220-240V 50Hz COMPL.AO	
	1	471 8210-11	Valve	Electrovanne	1,2	3/4" 208-230V 60Hz Complete	
	1		Valve	Electrovanne	1,2	3/4" 115V 60Hz Complete	
	1	471 8210-22	Valve	Electrovanne	1,2	1" 220-240V 50Hz Complete	
	1	471 8210-23	Valve	Electrovanne	1,2	1" 220V 50/60Hz Complete	
	1	471 8210-21	Valve	Electrovanne	1,2	1" 208-230V 60Hz Complete	
	1		Valve	Electrovanne	1,2	3/4" 115V 60Hz Complete	
	1	471 8210-32	Valve	Electrovanne	1,2	1 1/4" 50Hz Complete	
	1	471 8210-31	Valve	Electrovanne	1,2	1 1/4" 60Hz Complete	
	1		Valve	Electrovanne	1,2	3/4" 115V 60Hz Complete	
	1	471 8210-52	Valve	Electrovanne	1,2	2", 50Hz Complete	
	1	471 8210-51	Valve	Electrovanne	1,2	2", 60Hz Complete	
	2	1	471 6657-15	•Coil	•Bobine	1,2	50Hz 220-240V 50Hz
		1	471 6657-16	•Coil	•Bobine	1,2	60Hz
		1	471 6657-17	•Coil	•Bobine	1,2	115V 60Hz
3	1	471 6657-18	•Repair kit	•Kit de reconditionnement	1,2	1/2"	
	1	471 6657-19	•Repair kit	•Kit de reconditionnement	1,2	3/4"	
	1	471 6657-20	•Repair kit	•Kit de reconditionnement	1,2	1"	
	1	471 6657-21	•Repair kit	•Kit de reconditionnement	1,2	1 1/4" 1 1/4"	
	1	471 6695-95	•Repair kit	•Kit de reconditionnement	1,2	2"	
4		•Plunger	••Bobine mobile				
5		••O-ring	••Joint torique				
6		••Spring	••Ressort				
7		••Diaphragm	••Diaphragme				
8		••O-ring	••Joint torique				

1



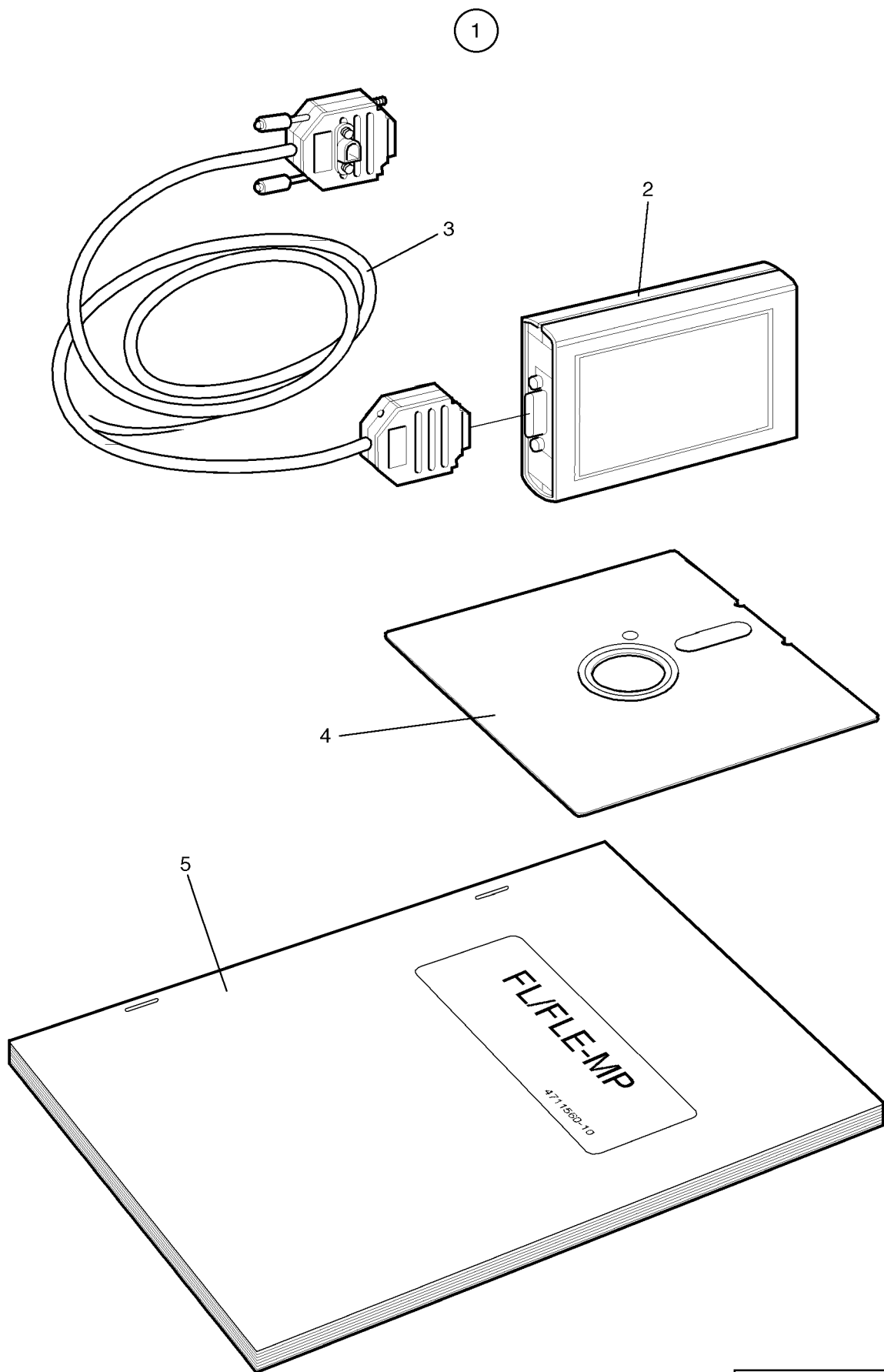
FL185

Card programmer

Programmeur cartes

Illustration Issue Month Year
Schéma Issue Month Year
100605/3 3 2 2003

Item Article	Qua. Qua.	Art.No Réf. article	Description	Description	Info Info	Notes Remarques
			12 Track	12 Canaux		
			16 Track	16 Canaux		
1	1	471 9207-07	Card programmer	Programmeur cartes	1,2	50Hz Complete
	1	471 9207-08	Card programmer	Programmeur cartes	1,2	60Hz Complete
2	1	471 6753-60	•Motor	•Moteur	1,2	50Hz With gear
	1	471 6753-61	•Motor	•Moteur	1,2	60Hz With gear
3	1	471 9044-86	•Disc	•Disque	1	60 SEC
4	1	471 9044-83	•Disc	•Disque	1	30 SEC
5	1	471 6527-30	•Microswitch	•Microrupteur	1,2	
6	1	471 9008-30	•Program card	•Carte programme	1,2	80 STEPS
	1	471 9200-78	•Program card	•Carte programme	1,2	120 STEPS
7	1	471 6753-79	•Front panel	•Panneau avant	1	
8	12	471 6527-12	•Microswitch	•Microrupteur	1,2	
9	1	471 6754-63	•Knob	•Bouton de porte	1	
10	1	471 6754-64	•Frame	•Châssis	1	WITH SCREW
11	1	471 6527-10	•Connector	•Connexion	3	FRONT
12	1	471 6527-11	•Connector	•Connexion	3	Rear
13	2	471 9017-12	•Screw	•Vis	3	
14	1	471 6527-24	•Arm	•Bras	1	
15	1	471 6527-22	•Washer	•Rondelle	3	
16	1	471 6527-21	•Arm	•Bras	1	
17	1	471 6527-29	•Spring	•Ressort	1	
18	2	471 6527-26	•Wheel	•Roue	1	
19	2	471 6527-32	•Screw	•Vis	3	
20	2	471 9015-65	•Nut	•Écrou	3	M3
21	1	471 6527-28	•Spring	•Ressort	1	
22	1	471 6901-54	•Cover	•Couvercle	3	
23	1	471 6527-38	•Spring clips	•Brides de ressort	3	
24	1	471 6257-35	•Catch	•Attache	3	Complete
25	1	471 6527-34	•Arm	•Bras	3	
26	1	471 6527-20	•Spring	•Ressort	1	
27	1	471 6654-00	•Roller	•Galet	3	
28	2	471 6653-30	•Bearing cage	•Cage de palier	3	
29	2	471 6653-31	•Spring	•Ressort	1	
30	2	471 6653-32	•Bearing	•Coussinet	3	
31	1	735 3110-21	C-clamp	Presse à main	3	
	1	471 6666-96	Test card	Carte d'essai	3	Not shown
	1	471 8961-02	Pliers	Pince	1	Not shown
	RQ	471 6654-10	Pin	Goupille	1	Not shown



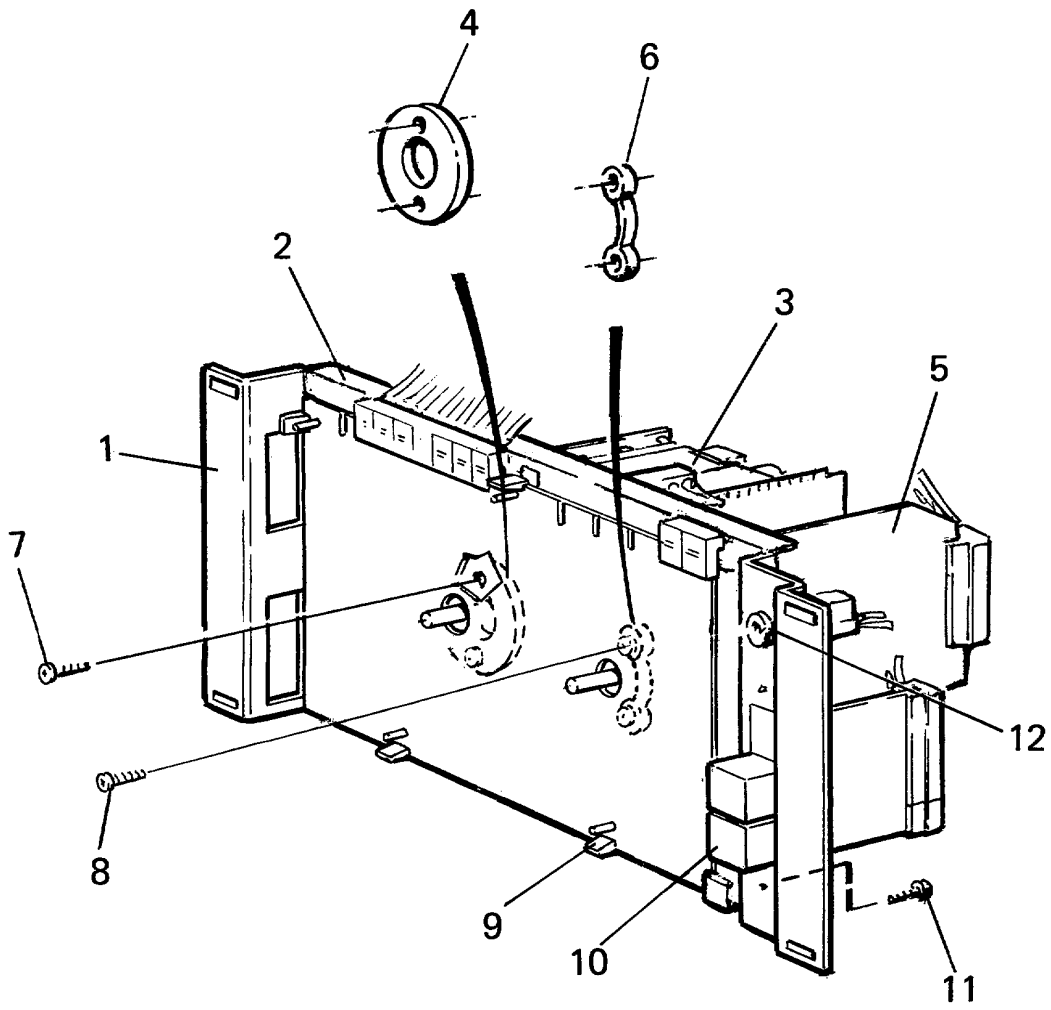
FL185 HI-TEK

Memory cartridge complete

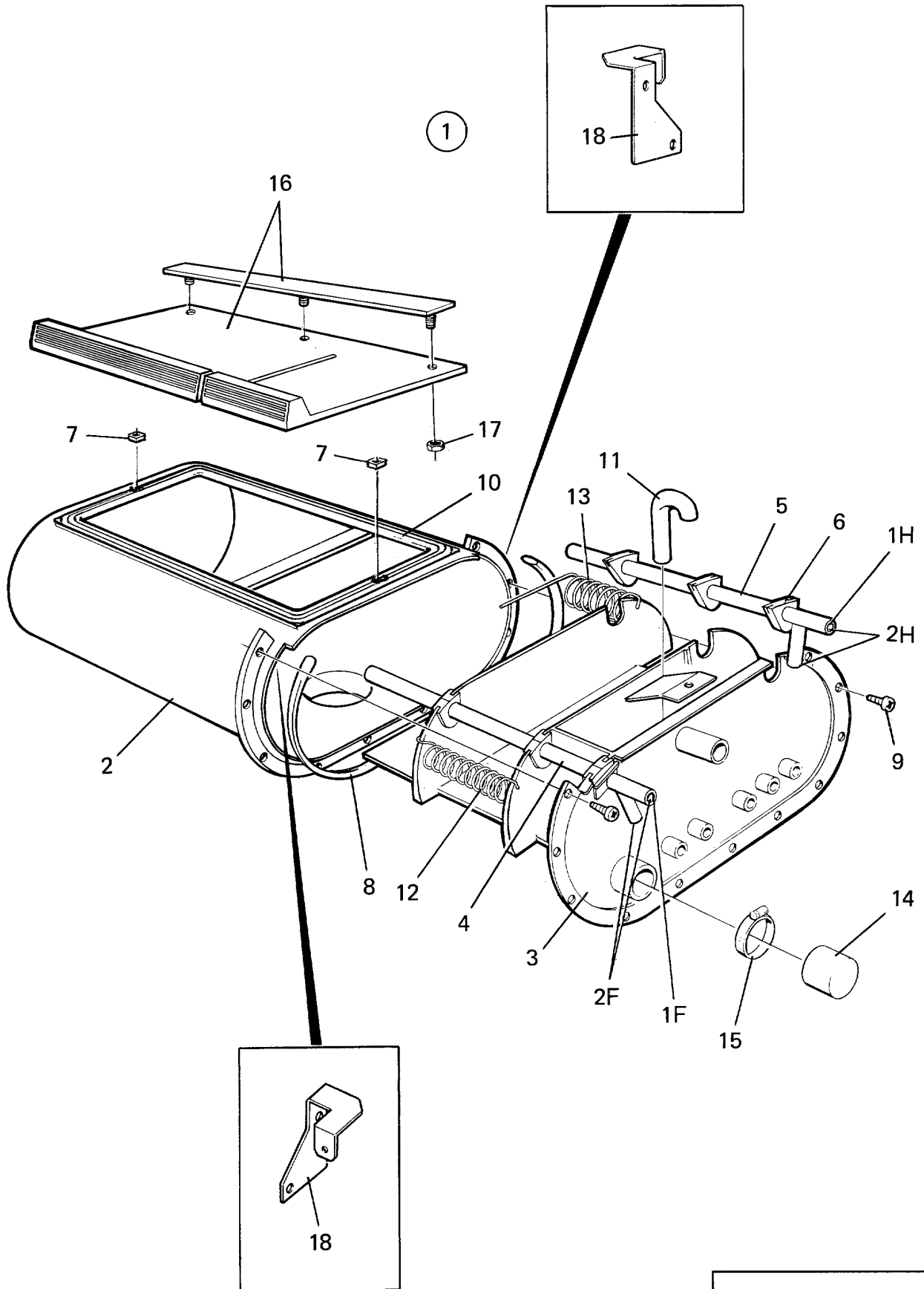
Cassette de mémoire complet

Illustration Issue Month Year
Schéma Issue Month Year
100826 4 1 1992

Item Article	Qua. Qua.	Art.No Réf. article	Description	Description	Info Info	Notes Remarques
1	1	472 9900-27	Memory cartridge	Cassette de mémoire	3	Swedish
	1	472 9900-28	Memory cartridge	Cassette de mémoire	3	English
	1	472 9900-29	Memory cartridge	Cassette de mémoire	3	German
	1	472 9900-30	Memory cartridge	Cassette de mémoire	3	French
	1	472 9900-31	Memory cartridge	Cassette de mémoire	3	Norwegian
	1	472 9900-52	Memory cartridge	Cassette de mémoire	3	Danish
	1	472 9900-53	Memory cartridge	Cassette de mémoire	3	Spanish
	1	472 9900-54	Memory cartridge	Cassette de mémoire	3	Finnish
	1	472 9900-76	Memory cartridge	Cassette de mémoire	3	Dutch
	2	1	471 8980-01	•Cassette	•Cassette	3
3	1	471 7468-01	•Cable	•Câble	3	
4	1	471 9533-02	•Diskette	•Disquette	3	
5	1	471 1560-10	•Instruction manual	•Manuel d'utilisation	3	Swedish
	1	471 1560-11	•Instruction manual	•Manuel d'utilisation	3	English
	1	471 1560-12	•Instruction manual	•Manuel d'utilisation	3	German
	1	471 1560-13	•Instruction manual	•Manuel d'utilisation	3	French
	1	471 1560-14	•Instruction manual	•Manuel d'utilisation	3	Spanish
	1	471 1560-15	•Instruction manual	•Manuel d'utilisation	3	Danish
	1	471 1560-16	•Instruction manual	•Manuel d'utilisation	3	Finnish
	1	471 1560-17	•Instruction manual	•Manuel d'utilisation	3	Norwegian
1	471 1560-18	•Instruction manual	•Manuel d'utilisation	3	Dutch	



W185				Illustration	Issue	Month	Year
Program unit				Schéma	Issue	Month	Year
Unité programmation				100847/2	13	10	2002
Item	Qua.	Art.No	Description	Description	Info	Notes	
Article	Qua.	Réf. article			Info	Remarques	
1	1	438 0180-02	Mounting plate	Plaque de montage	3		
2	1	438 3060-02	Printed circuit board	Carte circuit	1		
3	1	472 9900-69	Programmer	Minuterie	1,2	120V P3, W75/105, -90/9919 -90/9919	
	1	472 9900-70	Programmer	Minuterie	1,2	220V P3, W75/105, -90/9919 -90/9919	
	1	472 9902-04	Programmer	Minuterie	1,2	W125, -90/180 120V P3, W75/105	
	1	472 9902-05	Programmer	Minuterie	1,2	90/9920-91/26523 220V P3, W75/105	
	1	438 3018-11	Programmer	Minuterie	3	90/9920-91/26523 W125, 90/181-91/3640	
	1	438 3018-12	Programmer	Minuterie	1,2	120V P3, W75/105 91/26524-93/46072	
	1	471 8978-18	Programmer	Minuterie	1,2	220V P3, W75/105 91/26524-93/46072	
	1	471 8978-19	Programmer	Minuterie	1,2	W125, 91/3641-90/12079 W185, -93/5065	
	1	471 8978-21	Programmer	Minuterie	1,2	120V P3, W75/105 93/46073-96/76053	
	1	471 8978-22	Programmer	Minuterie	1,2	220V P3, W75/105 93/46073-96/76053	
	1	471 8978-22	Programmer	Minuterie	1,2	W125, 93/12080-96/58846 W185, 93/5066-96/14109	
	1	471 8978-22	Programmer	Minuterie	1,2	120V 60Hz P3, W75/105, - 96/76052 96/76054-	
	1	471 8978-22	Programmer	Minuterie	1,2	220V 60Hz P3, W75/105, 96/76054- 96/76054-	
	1	471 8978-22	Programmer	Minuterie	1,2	220V 60Hz W125, 96/28847- 96/28847-	
	1	471 8978-22	Programmer	Minuterie	1,2	220V 60Hz W185, 96/14110- 96/14110-	
4	1	438 0154-01	Spacer	Entretoise	1	W75/105, -91/26422 W125, -91/3640	
5	1	471 9643-22	Rotary switch	Commutateur rotatif	1,2	Powder P3, W75/105	
	1	471 9643-22	Rotary switch	Commutateur rotatif	1,2	Powder P3, W125	
	1	471 9643-24	Rotary switch	Commutateur rotatif	1,2	Powder P3, W185	
	1	471 9643-23	Rotary switch	Commutateur rotatif	1,2	Liquid P3, W75/105	
	1	471 9643-23	Rotary switch	Commutateur rotatif	1,2	Liquid P3, W125	
	1	471 9643-23	Rotary switch	Commutateur rotatif	1,2	Liquid P3, W185	
	1	471 9647-11	Rotary switch	Commutateur rotatif	1,2	P02	
6	1	471 5080-02	Spacer	Entretoise	3	W75/105, -91/26422 -91/26422 W125, -91/3640	
7	2	471 8341-11	Screw	Vis	3	MRT 4X6 W75/105, -91/26422 W125, -91/3640	
	2	471 8341-15	Screw	Vis	3	MRT 4X16 W75/105, 91/26423- W125, 91/3641-	
8	4	471 7958-01	Support	Support	3		
9	1	471 9642-02	Pushbutton unit	Poste bouton-poussoir	1,2	P02,EMERGENCY BUTTON	
10	2	471 8342-13	Screw	Vis	3	MRT-TT 4X10	
11	1	471 8164-00	Grommet	Oeillet	3	D7	



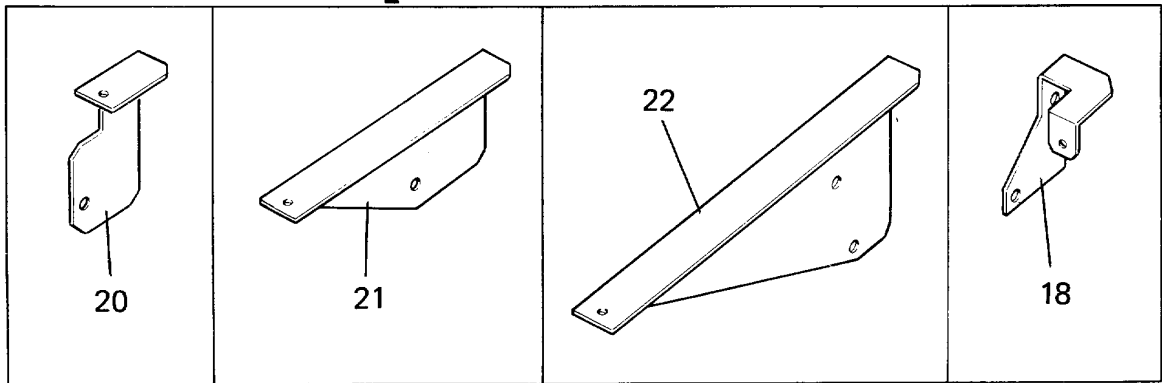
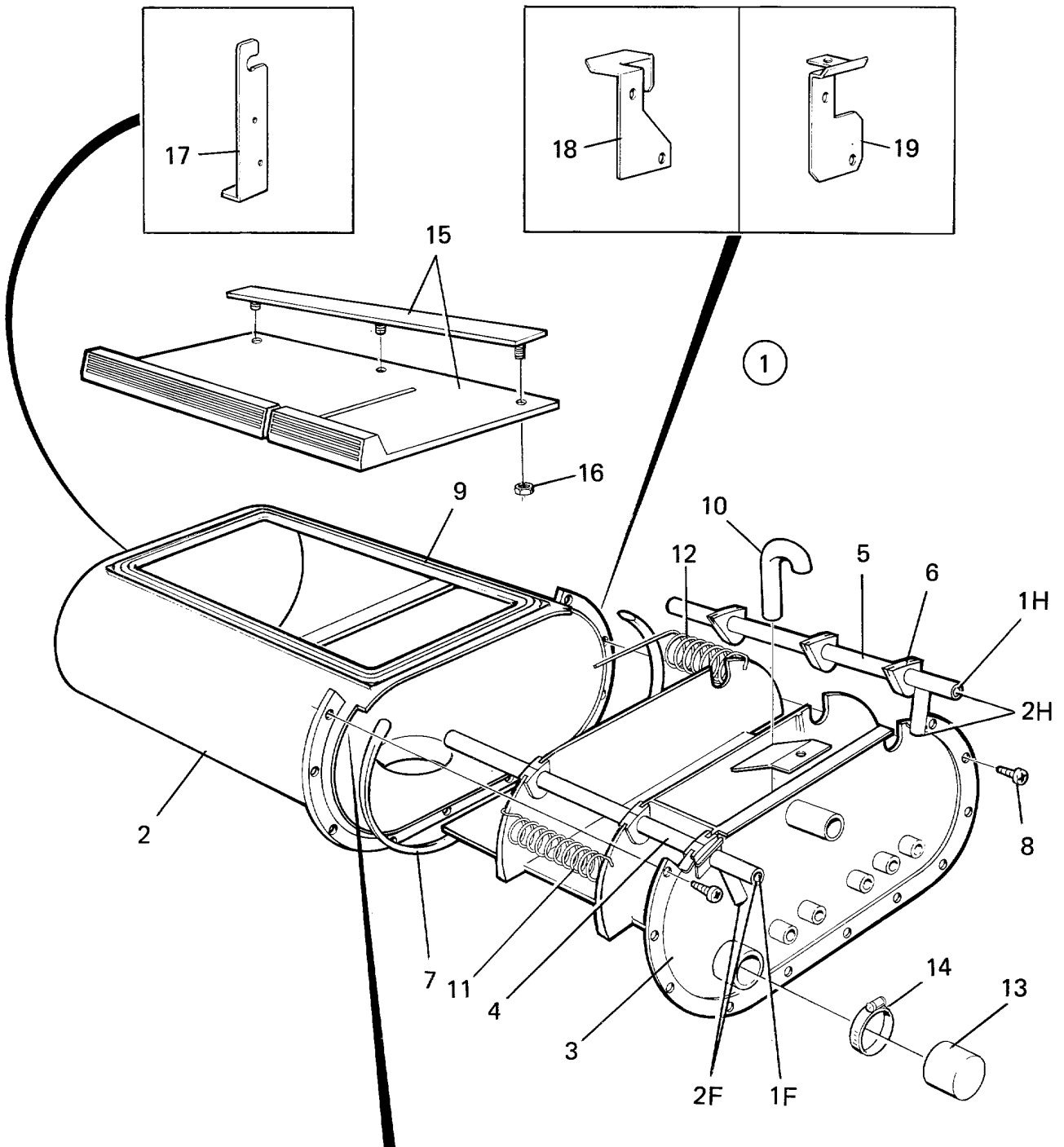
FL185,FL185 HI-TEK,SE185,W185,W185 EMERALD,W185 HI-TEK

Detergent container

Compartment à savon

Illustration Issue Month Year
Schéma Issue Month Year
101367 9 4 1995

Item Article	Qua. Qua.	Art.No Réf. article	Description	Description	Info Info	Notes Remarques
1	1	472 6001-54	Detergent container	Compartment à savon	1,2	WITH SCREW IN TOP PANEL 1F-1H
2	1	472 6002-05	•Shell	•Pression coque	1	
3	1	472 6003-04	•Box	•Boîtier	1	
4	1	472 6005-10	•Spray head	•Vaporisateur	1	1F 1F
5	1	472 6005-01	•Spray head	•Vaporisateur	1	1H 1H
6	6	472 6004-01	•Grommet	•Oeillet	1	
7	2	471 8401-01	•Nut	•Écrou	3	M4
8	1	471 8163-01	•Gasket	•Joint	1,2	
9	11	471 8346-01	•Screw	•Vis	3	
10	1	438 0460-02	•Gasket	•Joint	3	
11	1	472 6006-01	•Siphon	•Siphon	1,2	
12	1	471 7809-02	•Spring	•Ressort	1	
13	1	471 7808-02	•Spring	•Ressort	1	
14	1	471 8644-03	Hood	Capot	3	
15	1	736 2828-51	Hose clamp	Attache flexible	3	
16	1	472 9902-59	Cover	Couvercle	1,2	
17	3	731 2314-42	•Nut	•Écrou	3	M4
18	2	438 4139-01	Bracket	Support de montage	3	W/FL 184-244



Issue	Month	Year
01	05	95

FL185,W185

Automatic detergent control

Contrôle du liquide de lavage

Illustration	Issue	Month	Year
Schéma	Issue	Month	Year
101368	3	2	1998

Item Article	Qua. Qua.	Art.No Réf. article	Description	Description	Info Info	Notes Remarques
1	1	472 6001-66	Detergent container	Compartiment à savon	1,2	CANADA, 1F-1H
2	1	472 6002-06	•Shell	•Pression coque	1	
3	1	472 6003-03	•Box	•Boîtier	1	
4	1	472 6005-10	•Spray head	•Vaporisateur	1	1F 1F
5	1	472 6005-01	•Spray head	•Vaporisateur	1	1H 1H
6	6	472 6004-01	•Grommet	•Oeillet	3	
7	1	471 8163-01	•Gasket	•Joint	3	
8	7	471 8346-01	•Screw	•Vis	3	
9	1	438 0460-01	•Gasket	•Joint	3	
10	1	472 6006-01	•Siphon	•Siphon	1,2	
11	1	471 7809-02	•Spring	•Ressort	1	
12	1	471 7808-02	•Spring	•Ressort	1	
13	1	471 8644-03	Hood	Capot	3	
14	1	736 2828-51	Hose clamp	Attache flexible	3	
15	1	472 9902-59	Cover	Couvercle	1,2	
	1	472 9900-37	Cover	Couvercle	1,2	TOP MOUNT LIQUID SUPPLY
16	3	731 2314-42	•Nut	•Écrou	3	M4
17	1	438 5326-01	Bracket	Support de montage	3	
18	2	438 4139-01	Bracket	Support de montage	3	
19	1	438 0150-01	Bracket	Support de montage	3	W/FL 75-185
20	1	438 0151-01	Bracket	Support de montage	3	W75-105
21	1	438 0216-01	Bracket	Support de montage	3	W/FL125
22	1	438 0321-01	Bracket	Support de montage	3	W/FL 185

Numerical index/Numerical index

Art.No/Réf. article	Page/Page	Art.No/Réf. article	Page/Page	Art.No/Réf. article	Page/Page	Art.No/Réf. article	Page/Page
413 3180-03	49	438 0138-01	47	438 0320-01	9	438 3009-11	75
413 3182-51	49	438 0143-01	11	438 0321-01	9	438 3009-11	79
413 3182-52	49	438 0144-01	11	438 0321-01	101	438 3009-11	81
436 2840-51	17	438 0145-12	53	438 0322-01	7	438 3009-20	77
438 0006-72	35	438 0145-12	55	438 0330-01	19	438 3009-21	79
438 0006-72	47	438 0145-12	57	438 0340-01	9	438 3009-22	79
438 0006-74	45	438 0145-12	59	438 0341-02	19	438 3009-24	79
438 0006-76	43	438 0145-12	61	438 0352-70	9	438 3009-26	79
438 0006-77	37	438 0145-12	63	438 0353-01	21	438 3009-27	79
438 0006-78	39	438 0145-12	65	438 0353-01	25	438 3009-28	77
438 0006-79	41	438 0145-12	69	438 0353-01	29	438 3009-30	77
438 0014-01	15	438 0150-01	9	438 0354-01	21	438 3009-31	77
438 0016-03	15	438 0150-01	101	438 0354-01	25	438 3009-33	79
438 0016-06	15	438 0151-01	101	438 0354-01	29	438 3009-35	79
438 0027-01	7	438 0152-01	37	438 0354-02	21	438 3009-36	79
438 0028-01	83	438 0154-01	97	438 0354-02	25	438 3009-38	79
438 0039-01	35	438 0164-04	35	438 0354-02	29	438 3009-50	77
438 0039-01	43	438 0164-06	49	438 0355-01	21	438 3009-52	77
438 0039-01	45	438 0167-01	19	438 0355-01	25	438 3009-53	77
438 0039-01	47	438 0168-02	19	438 0355-01	29	438 3010-10	31
438 0040-01	35	438 0180-02	97	438 0356-48	9	438 3010-13	31
438 0040-01	47	438 0182-03	11	438 0356-49	9	438 3010-13	33
438 0051-01	83	438 0183-03	11	438 0356-50	9	438 3010-13	71
438 0052-01	83	438 0184-01	11	438 0358-02	21	438 3010-13	73
438 0053-01	83	438 0185-01	7	438 0358-02	25	438 3010-13	75
438 0054-01	83	438 0216-01	101	438 0358-02	29	438 3010-13	77
438 0055-01	83	438 0233-01	9	438 0359-01	25	438 3010-13	79
438 0056-03	17	438 0233-01	35	438 0359-01	29	438 3010-13	81
438 0056-03	53	438 0233-01	39	438 0363-01	27	438 3014-02	71
438 0056-03	55	438 0233-01	41	438 0363-01	29	438 3014-03	31
438 0056-03	61	438 0233-01	47	438 0364-01	45	438 3014-03	33
438 0056-03	63	438 0237-01	9	438 0384-01	17	438 3014-11	75
438 0056-03	65	438 0239-01	11	438 0390-01	9	438 3014-12	71
438 0056-03	69	438 0241-02	7	438 0413-01	13	438 3014-12	75
438 0056-04	17	438 0249-01	7	438 0425-01	29	438 3014-12	77
438 0056-04	53	438 0253-20	55	438 0439-01	21	438 3014-12	79
438 0056-04	55	438 0253-20	57	438 0456-01	13	438 3014-13	71
438 0056-04	57	438 0253-20	63	438 0457-01	13	438 3014-13	75
438 0056-04	59	438 0253-20	65	438 0458-01	13	438 3014-13	77
438 0056-04	61	438 0253-20	67	438 0459-01	13	438 3014-13	79
438 0056-04	63	438 0253-20	69	438 0460-01	9	438 3014-17	33
438 0056-04	65	438 0253-25	59	438 0460-01	101	438 3014-21	31
438 0056-04	69	438 0253-25	61	438 0460-02	99	438 3014-21	71
438 0059-01	11	438 0257-01	11	438 0462-01	11	438 3014-21	73
438 0060-01	11	438 0267-01	13	438 2806-01	51	438 3014-21	75
438 0061-01	11	438 0271-01	7	438 2806-02	51	438 3014-21	77
438 0071-01	41	438 0271-02	7	438 2806-03	51	438 3014-21	79
438 0072-01	41	438 0271-03	7	438 2806-11	51	438 3014-21	81
438 0076-01	35	438 0271-04	7	438 2806-12	51	438 3014-22	31
438 0076-01	47	438 0271-05	7	438 2806-20	51	438 3014-22	33
438 0078-01	9	438 0271-07	7	438 2901-01	35	438 3014-22	71
438 0083-01	17	438 0277-01	17	438 2901-01	51	438 3014-22	73
438 0084-01	17	438 0278-01	17	438 2901-02	51	438 3014-22	75
438 0084-03	17	438 0279-01	17	438 2901-15	51	438 3014-22	77
438 0085-01	83	438 0281-01	7	438 2904-01	51	438 3014-22	79
438 0093-01	17	438 0282-19	9	438 2906-02	51	438 3014-22	81
438 0093-01	83	438 0282-20	9	438 2912-01	51	438 3014-23	31
438 0127-01	53	438 0282-21	9	438 3009-02	77	438 3014-23	33
438 0127-01	55	438 0282-22	9	438 3009-07	77	438 3014-23	71
438 0127-01	57	438 0282-23	9	438 3009-08	77	438 3014-23	75
438 0127-01	59	438 0284-01	9	438 3009-09	77	438 3014-23	77
438 0127-01	61	438 0284-02	9	438 3009-10	77	438 3014-23	81
438 0127-01	63	438 0293-01	43	438 3009-11	31	438 3014-24	73
438 0127-01	65	438 0298-02	15	438 3009-11	33	438 3014-24	79
438 0127-01	69	438 0318-01	9	438 3009-11	71	438 3014-50	77
438 0138-01	35	438 0319-01	9	438 3009-11	73	438 3014-51	79

Numerical index/Numerical index

Art.No/Réf. article	Page/Page	Art.No/Réf. article	Page/Page	Art.No/Réf. article	Page/Page	Art.No/Réf. article	Page/Page
438 3014-52	81	438 3019-68	77	438 3082-15	33	438 9636-03	21
438 3014-53	31	438 3019-69	75	438 3082-15	71	438 9636-03	25
438 3014-53	33	438 3019-70	75	438 3082-15	73	438 9636-03	29
438 3014-53	73	438 3019-73	33	438 3082-27	75	438 9636-73	21
438 3018-11	97	438 3019-74	33	438 3082-51	77	438 9636-73	25
438 3018-12	97	438 3019-75	73	438 3082-72	33	438 9636-73	29
438 3019-02	71	438 3019-76	33	438 3082-72	73	471 1560-10	95
438 3019-03	71	438 3019-77	33	438 3082-73	77	471 1560-11	95
438 3019-04	31	438 3019-78	33	438 3083-01	77	471 1560-12	95
438 3019-07	71	438 3019-80	75	438 3083-02	77	471 1560-13	95
438 3019-13	71	438 3019-82	71	438 3083-02	79	471 1560-14	95
438 3019-19	31	438 3019-83	75	438 3084-05	71	471 1560-15	95
438 3019-19	33	438 3019-83	81	438 3084-08	73	471 1560-16	95
438 3019-19	71	438 3019-84	73	438 3084-22	73	471 1560-17	95
438 3019-19	73	438 3021-04	71	438 3085-03	81	471 1560-18	95
438 3019-21	71	438 3021-04	75	438 3086-01	73	471 2072-98	7
438 3019-21	73	438 3021-04	79	438 3086-06	33	471 2072-98	13
438 3019-21	75	438 3021-05	71	438 3086-06	71	471 2078-43	15
438 3019-22	71	438 3021-05	75	438 3086-06	73	471 2078-44	15
438 3019-22	75	438 3021-05	77	438 3086-06	75	471 2094-92	53
438 3019-22	77	438 3021-05	79	438 3086-06	81	471 2094-92	55
438 3019-22	79	438 3021-07	79	438 3086-08	71	471 2094-92	57
438 3019-23	31	438 3021-30	71	438 3086-09	71	471 2094-92	59
438 3019-23	33	438 3021-30	75	438 3086-11	73	471 2094-92	61
438 3019-23	71	438 3021-30	77	438 3086-12	71	471 2094-92	63
438 3019-23	75	438 3021-30	79	438 3086-18	31	471 2094-92	65
438 3019-23	77	438 3021-31	71	438 3086-22	73	471 2094-92	67
438 3019-23	79	438 3021-31	75	438 3086-23	33	471 2094-92	69
438 3019-23	81	438 3021-31	77	438 3086-60	71	471 2095-32	13
438 3019-24	75	438 3021-32	79	438 3087-02	75	471 2098-71	9
438 3019-27	75	438 3022-11	73	438 3087-03	75	471 2401-52	13
438 3019-29	31	438 3022-13	73	438 3087-06	75	471 2416-83	13
438 3019-29	33	438 3022-14	73	438 3087-10	33	471 2425-28	17
438 3019-29	71	438 3022-15	73	438 3087-10	73	471 2432-25	17
438 3019-29	73	438 3030-10	71	438 3089-01	77	471 2436-10	13
438 3019-29	75	438 3030-12	81	438 3089-02	77	471 2437-15	7
438 3019-29	77	438 3030-41	71	438 3089-03	31	471 2438-14	7
438 3019-29	81	438 3030-43	31	438 3089-03	33	471 2440-10	13
438 3019-30	81	438 3030-43	33	438 3089-03	71	471 2440-12	13
438 3019-32	71	438 3030-81	81	438 3089-03	73	471 2440-89	13
438 3019-35	31	438 3030-83	75	438 3089-05	71	471 2441-44	13
438 3019-35	33	438 3031-03	31	438 4042-01	7	471 2449-72	17
438 3019-37	71	438 3031-35	31	438 4049-01	15	471 2449-72	53
438 3019-41	75	438 3031-35	33	438 4062-01	11	471 2449-72	55
438 3019-43	81	438 3056-01	11	438 4063-01	11	471 2449-72	57
438 3019-48	81	438 3056-04	11	438 4079-01	37	471 2449-72	59
438 3019-49	71	438 3056-11	11	438 4079-01	39	471 2449-72	61
438 3019-50	31	438 3056-12	11	438 4079-02	37	471 2449-72	63
438 3019-50	71	438 3056-31	11	438 4079-02	39	471 2449-72	65
438 3019-51	31	438 3056-32	11	438 4079-10	37	471 2449-72	69
438 3019-51	71	438 3058-01	21	438 4079-10	39	471 2451-81	13
438 3019-52	75	438 3060-02	97	438 4088-01	37	471 2539-02	13
438 3019-52	81	438 3075-01	43	438 4088-01	41	471 2574-02	13
438 3019-53	71	438 3075-04	43	438 4088-01	47	471 2904-01	17
438 3019-53	75	438 3082-07	75	438 4100-01	13	471 2914-01	13
438 3019-53	77	438 3082-11	77	438 4101-01	13	471 2937-01	57
438 3019-55	75	438 3082-12	31	438 4139-01	99	471 2937-01	63
438 3019-55	81	438 3082-12	33	438 4139-01	101	471 2937-01	65
438 3019-56	71	438 3082-12	71	438 4176-01	13	471 2937-01	69
438 3019-62	75	438 3082-12	73	438 4863-06	17	471 2938-01	53
438 3019-63	75	438 3082-12	75	438 5326-01	101	471 2938-01	55
438 3019-68	31	438 3082-13	75	438 9628-01	49	471 2938-01	59
438 3019-68	33	438 3082-13	77	438 9628-02	49	471 2938-01	61
438 3019-68	71	438 3082-13	79	438 9636-02	21	471 2938-01	63
438 3019-68	73	438 3082-14	81	438 9636-02	25	471 2960-10	13
438 3019-68	75	438 3082-15	31	438 9636-02	29	471 4516-03	17

Numerical index/Numerical index

Art.No/Réf. article	Page/Page	Art.No/Réf. article	Page/Page	Art.No/Réf. article	Page/Page	Art.No/Réf. article	Page/Page
471 4705-01	37	471 6860-17	85	471 8164-01	9	471 8234-94	85
471 4705-01	41	471 6860-17	87	471 8175-01	53	471 8234-94	87
471 4705-02	43	471 6860-17	89	471 8175-01	55	471 8234-94	89
471 4705-02	47	471 6860-18	85	471 8175-01	57	471 8234-95	85
471 4714-05	45	471 6860-18	87	471 8175-01	59	471 8234-95	87
471 4714-06	45	471 6860-18	89	471 8175-01	61	471 8234-95	89
471 4792-01	53	471 6860-19	85	471 8175-01	63	471 8234-96	85
471 4792-01	55	471 6860-19	87	471 8175-01	65	471 8234-96	87
471 4792-01	57	471 6860-19	89	471 8175-01	69	471 8234-96	89
471 4792-01	59	471 6860-20	85	471 8192-01	7	471 8234-98	85
471 4792-01	61	471 6860-20	87	471 8195-01	83	471 8234-98	87
471 4792-01	63	471 6860-20	89	471 8196-01	9	471 8234-98	89
471 4792-01	65	471 6901-54	93	471 8197-02	11	471 8235-51	87
471 4792-01	69	471 7403-01	41	471 8198-02	11	471 8235-54	87
471 4792-01	85	471 7468-01	95	471 8199-01	53	471 8235-57	87
471 4792-01	87	471 7473-21	29	471 8199-01	55	471 8236-52	53
471 4792-01	89	471 7651-17	11	471 8199-01	57	471 8236-52	89
471 4835-01	17	471 7651-19	11	471 8199-01	59	471 8236-53	53
471 4878-01	73	471 7651-21	11	471 8199-01	61	471 8236-53	63
471 4878-33	81	471 7701-54	15	471 8199-01	63	471 8236-53	89
471 4878-84	45	471 7801-08	7	471 8199-01	65	471 8236-54	89
471 4904-02*	35	471 7803-13	41	471 8199-01	69	471 8236-59	89
471 5080-02	97	471 7803-19	11	471 8210-02	53	471 8236-64	55
471 6257-35	93	471 7807-02	7	471 8210-02	55	471 8236-64	63
471 6527-10	93	471 7808-02	99	471 8210-02	61	471 8236-64	65
471 6527-11	93	471 7808-02	101	471 8210-02	63	471 8236-64	69
471 6527-12	93	471 7809-02	99	471 8210-02	65	471 8236-65	55
471 6527-20	93	471 7809-02	101	471 8210-02	69	471 8236-65	57
471 6527-21	93	471 7818-01	83	471 8210-02	91	471 8236-65	63
471 6527-22	93	471 7826-13	9	471 8210-03	65	471 8236-65	65
471 6527-24	93	471 7826-14	9	471 8210-03	91	471 8236-65	69
471 6527-26	93	471 7826-97	9	471 8210-11	91	471 8236-66	65
471 6527-28	93	471 7826-98	9	471 8210-12	91	471 8236-66	89
471 6527-29	93	471 7851-02	83	471 8210-21	91	471 8243-04	17
471 6527-30	93	471 7859-11	25	471 8210-22	91	471 8243-05	17
471 6527-32	93	471 7859-11	29	471 8210-23	91	471 8243-06	17
471 6527-34	93	471 7859-16	25	471 8210-31	91	471 8279-03	19
471 6527-38	93	471 7859-16	29	471 8210-32	91	471 8279-08	19
471 6653-30	93	471 7864-01	7	471 8210-51	91	471 8308-07	19
471 6653-31	93	471 7865-03	21	471 8210-52	91	471 8311-00	13
471 6653-32	93	471 7865-03	25	471 8210-63	53	471 8317-01	53
471 6654-00	93	471 7865-03	29	471 8210-63	55	471 8317-01	55
471 6654-10	43	471 7867-01	15	471 8210-63	57	471 8317-01	57
471 6654-10	93	471 7909-07	9	471 8210-63	59	471 8317-01	61
471 6657-15	91	471 7953-01	41	471 8210-63	61	471 8317-01	63
471 6657-16	91	471 7954-01	41	471 8210-63	63	471 8317-01	65
471 6657-17	91	471 7958-01	21	471 8210-63	65	471 8317-01	69
471 6657-18	91	471 7958-01	25	471 8210-63	69	471 8317-05	83
471 6657-19	91	471 7958-01	29	471 8210-63	91	471 8340-23	9
471 6657-20	91	471 7958-01	43	471 8234-51	85	471 8340-23	21
471 6657-21	91	471 7958-01	97	471 8234-52	53	471 8340-23	25
471 6661-51	25	471 7961-01	11	471 8234-52	55	471 8340-23	29
471 6661-53	25	471 7966-01	43	471 8234-52	85	471 8341-11	53
471 6666-96	93	471 7967-01	21	471 8234-53	85	471 8341-11	55
471 6695-95	91	471 7967-01	25	471 8234-54	53	471 8341-11	57
471 6753-60	93	471 7967-01	29	471 8234-54	55	471 8341-11	63
471 6753-61	93	471 7967-02	21	471 8234-54	59	471 8341-11	65
471 6753-79	93	471 7967-02	25	471 8234-56	61	471 8341-11	69
471 6754-63	93	471 8126-16	19	471 8234-56	63	471 8341-11	97
471 6754-64	93	471 8139-01	17	471 8234-56	85	471 8341-13	17
471 6860-15	85	471 8139-04	17	471 8234-58	85	471 8341-15	97
471 6860-15	87	471 8159-06	57	471 8234-92	85	471 8341-19	21
471 6860-15	89	471 8159-06	59	471 8234-92	87	471 8341-19	25
471 6860-16	85	471 8163-01	99	471 8234-92	89	471 8341-19	29
471 6860-16	87	471 8163-01	101	471 8234-94	53	471 8342-13	9
471 6860-16	89	471 8164-00	97	471 8234-94	55	471 8342-13	21

Numerical index/Numerical index

Art.No/Réf. article	Page/Page	Art.No/Réf. article	Page/Page	Art.No/Réf. article	Page/Page	Art.No/Réf. article	Page/Page
471 8342-13	25	471 8708-01	29	471 9015-65	93	471 9652-02	47
471 8342-13	29	471 8733-10	45	471 9017-12	93	471 9653-03	29
471 8342-13	97	471 8748-01	31	471 9027-85	21	471 9672-01	25
471 8342-23	41	471 8748-01	33	471 9027-85	25	471 9739-81	15
471 8342-23	47	471 8748-01	71	471 9027-85	29	471 9739-83	15
471 8342-25	43	471 8748-01	73	471 9030-34	19	471 9739-87	15
471 8346-01	99	471 8748-01	75	471 9044-83	93	471 9811-05	7
471 8346-01	101	471 8748-01	77	471 9044-86	93	471 9811-08	7
471 8346-05	21	471 8748-01	79	471 9200-78	93	472 5750-01	51
471 8346-06	21	471 8748-02	31	471 9207-07	93	472 5750-02	41
471 8346-06	25	471 8748-02	33	471 9207-08	93	472 5750-02	51
471 8346-06	29	471 8748-02	71	471 9219-16	43	472 5752-04	51
471 8401-01	99	471 8748-02	73	471 9222-59	7	472 5752-18	51
471 8502-14	7	471 8748-02	75	471 9222-59	13	472 5752-29	51
471 8502-14	13	471 8748-02	77	471 9525-20	21	472 5756-01	51
471 8502-24	15	471 8748-02	79	471 9525-20	25	472 5756-09	51
471 8526-01	27	471 8750-11	21	471 9525-20	29	472 6001-54	99
471 8551-02	13	471 8750-11	25	471 9525-21	21	472 6001-66	101
471 8622-01	53	471 8750-11	29	471 9525-21	25	472 6002-05	99
471 8622-01	55	471 8756-01	25	471 9525-21	29	472 6002-06	101
471 8622-01	57	471 8756-01	29	471 9525-23	21	472 6003-03	101
471 8622-01	59	471 8756-51	21	471 9525-23	25	472 6003-04	99
471 8622-01	61	471 8756-51	25	471 9525-23	29	472 6004-01	99
471 8622-01	63	471 8756-51	29	471 9525-28	21	472 6004-01	101
471 8622-01	65	471 8756-52	21	471 9525-28	25	472 6005-01	99
471 8622-01	69	471 8756-52	25	471 9529-05	23	472 6005-01	101
471 8622-02	53	471 8756-52	29	471 9529-05	27	472 6005-10	99
471 8622-02	55	471 8759-01	21	471 9529-05	29	472 6005-10	101
471 8622-02	61	471 8759-01	25	471 9529-10	29	472 6006-01	99
471 8622-02	65	471 8759-01	29	471 9533-02	95	472 6006-01	101
471 8622-05	53	471 8760-01	21	471 9550-15	29	472 6011-00	83
471 8622-05	55	471 8760-01	25	471 9558-03	21	472 6012-00	83
471 8622-05	59	471 8760-01	29	471 9559-03	21	472 6082-01	35
471 8622-05	61	471 8760-02	21	471 9560-01	13	472 6082-01	47
471 8622-05	63	471 8760-02	25	471 9565-03	21	472 6761-01	53
471 8623-01	53	471 8760-02	29	471 9565-03	25	472 6761-01	55
471 8623-01	55	471 8762-01	21	471 9565-03	29	472 6761-01	57
471 8623-01	57	471 8762-01	25	471 9566-01	21	472 6761-01	59
471 8623-01	59	471 8762-01	29	471 9566-01	25	472 6761-01	61
471 8623-01	61	471 8803-24	7	471 9566-01	29	472 6761-01	63
471 8623-01	63	471 8803-24	21	471 9566-05	21	472 6761-01	65
471 8623-01	65	471 8804-02	7	471 9566-05	25	472 6761-01	67
471 8623-01	69	471 8810-01	43	471 9566-05	29	472 6761-01	69
471 8626-01	29	471 8859-02	21	471 9604-05	21	472 8754-10	17
471 8641-01	9	471 8859-04	21	471 9604-05	25	472 8754-11	17
471 8644-03	99	471 8859-06	25	471 9604-05	29	472 8969-02	37
471 8644-03	101	471 8859-51	25	471 9628-70	49	472 8969-02	39
471 8670-03	19	471 8954-03	25	471 9628-71	49	472 8969-03	37
471 8688-12	17	471 8954-04	25	471 9628-75	49	472 8969-03	39
471 8688-13	17	471 8955-01	43	471 9629-02	41	472 8974-01	37
471 8688-13	83	471 8961-01	43	471 9636-02	21	472 8974-02	37
471 8693-02	57	471 8961-02	93	471 9636-03	21	472 9900-27	95
471 8693-02	63	471 8964-12	37	471 9642-02	97	472 9900-28	95
471 8693-02	65	471 8977-15	45	471 9643-22	97	472 9900-29	95
471 8693-02	69	471 8977-25	45	471 9643-23	97	472 9900-30	95
471 8693-04	59	471 8978-18	97	471 9643-24	97	472 9900-31	95
471 8693-04	61	471 8978-19	97	471 9647-11	97	472 9900-37	101
471 8693-04	63	471 8978-21	97	471 9649-01	21	472 9900-52	95
471 8693-21	57	471 8978-22	97	471 9649-01	27	472 9900-53	95
471 8693-21	59	471 8980-01	95	471 9649-01	43	472 9900-54	95
471 8693-21	61	471 8983-31	25	471 9649-02	27	472 9900-69	97
471 8693-21	63	471 8983-31	29	471 9649-02	43	472 9900-70	97
471 8693-21	65	471 8985-01	27	471 9651-50	43	472 9900-76	95
471 8693-21	69	471 8985-01	29	471 9652-01	35	472 9900-99	9
471 8708-01	21	471 9006-61	21	471 9652-02	35	472 9902-04	97
471 8708-01	25	471 9008-30	93	471 9652-02	43	472 9902-05	97

Numerical index/Numerical index

Art.No/Réf. article	Page/Page	Art.No/Réf. article	Page/Page	Art.No/Réf. article	Page/Page	Art.No/Réf. article	Page/Page
472 9902-12	13	735 2146-01	41	762 9105-05	61		
472 9902-22	21	735 2146-01	47	762 9105-05	63		
472 9902-22	25	735 3110-21	93	762 9105-05	65		
472 9902-50	11	736 2816-51	53	762 9105-05	67		
472 9902-51	11	736 2816-51	55	762 9105-05	69		
472 9902-59	99	736 2816-51	57	762 9112-07	21		
472 9902-59	101	736 2816-51	59	762 9112-07	25		
472 9902-61	11	736 2816-51	61	762 9112-07	29		
472 9902-64	37	736 2816-51	63	763 1802-01	43		
472 9902-64	39	736 2816-51	65	763 1806-01	43		
472 9902-66	11	736 2816-51	69	767 5101-92	25		
472 9902-72	29	736 2825-51	13	767 5101-92	29		
472 9902-73	25	736 2825-51	53	767 5102-92	21		
472 9902-75	25	736 2825-51	55	767 5102-92	25		
472 9904-39	37	736 2825-51	57	767 5102-92	29		
472 9904-39	39	736 2825-51	59	767 5802-09	21		
472 9911-08	11	736 2825-51	61	767 5802-09	25		
472 9911-30	15	736 2825-51	63	767 5802-09	29		
472 9913-22	7	736 2825-51	65	877 5211-08	53		
472 9913-43	21	736 2825-51	69	877 5211-08	55		
472 9919-34	49	736 2828-51	53	877 5211-08	57		
722 7840-19	35	736 2828-51	55	877 5211-08	59		
722 7840-19	37	736 2828-51	57	877 5211-08	61		
722 7840-19	41	736 2828-51	59	877 5211-08	63		
722 7843-02	9	736 2828-51	61	877 5211-08	65		
722 7843-02	35	736 2828-51	63	877 5211-08	69		
722 7843-02	37	736 2828-51	65	877 5252-01	53		
722 7843-02	39	736 2828-51	69	877 5252-01	55		
722 7843-02	41	736 2828-51	99	877 5252-01	57		
722 7843-02	43	736 2828-51	101	877 5252-01	59		
722 7843-02	47	736 2831-51	17	877 5252-01	61		
724 1325-61	37	736 2834-51	17	877 5252-01	63		
725 2289-61	9	736 2840-51	13	877 5252-01	65		
725 2289-61	35	736 2840-51	17	877 5252-01	69		
725 2366-42	9	736 2846-51	17				
725 2366-61	7	736 2849-51	17				
725 2366-61	9	736 2852-51	17				
725 2366-61	11	738 6117-13	11				
725 2366-61	19	740 4207-00	17				
725 2370-61	7	741 5109-25	17				
725 2370-61	15	742 5115-20	53				
725 2370-61	27	742 5115-20	55				
725 2370-61	29	742 5115-20	59				
725 2380-61	15	742 5115-20	61				
725 2465-71	7	742 5115-20	63				
725 2634-71	13	744 3113-06	19				
725 6328-42	11	744 3115-06	53				
728 8362-01	15	744 3115-06	55				
728 8362-11	11	744 3115-06	57				
729 9342-61	19	744 3115-06	59				
731 2314-42	99	744 3115-06	61				
731 2314-42	101	744 3115-06	63				
731 2318-01	19	744 3115-06	65				
732 2112-01	35	744 3115-06	67				
732 2114-01	11	744 3115-06	69				
732 2116-01	11	762 1215-10	21				
732 2118-01	7	762 1215-10	25				
732 2118-01	13	762 1215-10	29				
734 1153-01	11	762 8139-91	25				
734 1186-01	13	762 8139-91	29				
735 2136-01	9	762 8151-91	21				
735 2136-01	21	762 8151-91	25				
735 2136-01	25	762 8151-91	29				
735 2136-01	29	762 9105-05	55				
735 2136-01	35	762 9105-05	57				
735 2146-01	37	762 9105-05	59				

Numerical index/Numerical index

Art.No/Réf. article	Page/Page	Art.No/Réf. article	Page/Page	Art.No/Réf. article	Page/Page	Art.No/Réf. article	Page/Page

WASCOMAT

461 Doughty Blvd., Inwood, L.I., N.Y. 11096-0338

Telephone: 516-371-4400

Parts and Service FAX: 516-371-4029

Sales and Administration FAX: 516-371-4204