



---

**W485S-W4330S Compass**

Washer extractor

Tvättmaskin

---



## List of issues

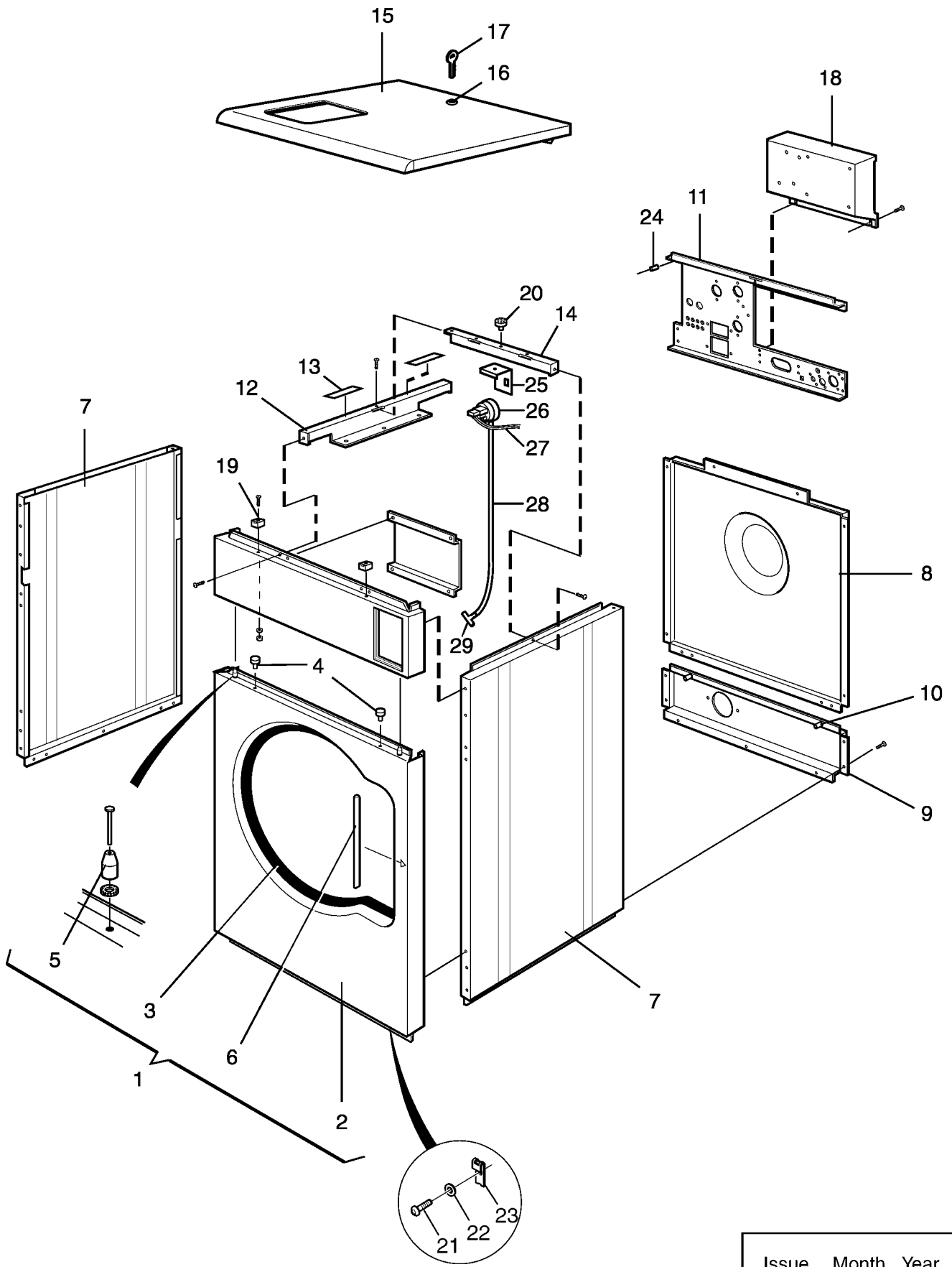
### **W485S Compass,W4105S Compass,W4130S Compass,W4180S Compass,W4250S Compass,W4330S Com**

Illustration	Page	Table of contents
102300	13	Lining and top panel
102301	31	Drum, rear gable
102302	19	Door and hinged joint
102316	47	Water connections
102343	65	Drain valve
102344	73	Detergent container
102378	15	Control panel
102380	45	Electric components connection
102383	57	Inlet valves and cable set
102384	55	Inlet valves and cable set
102385	59	Inlet valves and cable set
102481	49	Inlet valves and cable set
102482	51	Inlet valves and cable set
102483	53	Inlet valves and cable set
102486	79	Compass control loader
102486	83	Compass control loader
102486	87	Compass control loader
102486	91	Compass control loader
102486	95	Compass control loader
102486	99	Compass control loader
102491	37	Motor control
102492	67	Drain valve, electrical
102493	69	Drain pump
102500	21	Door lock
102501	71	Steam components
102503	63	Drain valve and hoses
102596	75	Emergency stop
102663	77	Key switch
102663	81	Key switch
102663	85	Key switch
102663	89	Key switch
102663	93	Key switch
102663	97	Key switch
102665	33	Motor
102672	111	Coin meter
102674	27	Base and outer drum
102679	41	Programmer
500109	103	Coin box
500110	105	Coinbox USA
500113	113	Single system
500114	107	Electronic coin meter
500115	101	Coin box



**W485S Compass,W4105S Compass,W4130S Compass,W4180S Compass,W4250S Compass,W4330S Com**

Table of contents	Innehållsförteckning	Page/Sida
Lining and top panel	Klädselplåtar och topplock	13
Control panel	Manöverpanel	15
Door and hinged joint	Lucka och gångled	19
Door lock	Lucklås	21
Base and outer drum	Stativ och yttertrumma	27
Drum, rear gable	Trumma,bakgavel	31
Motor	Motor	33
Motor control	Motorstyrning	37
Programmer	Programverk	41
Electric components connection	Eldetaljer anslutning	45
Water connections	Vattenanslutningar	47
Inlet valves and cable set	Inloppsventiler och ledningssatser	49
Inlet valves and cable set	Inloppsventiler och ledningssatser	51
Inlet valves and cable set	Inloppsventiler och ledningssatser	53
Inlet valves and cable set	Inloppsventiler och ledningssatser	55
Inlet valves and cable set	Inloppsventiler och ledningssatser	57
Inlet valves and cable set	Inloppsventiler och ledningssatser	59
Drain valve and hoses	Avloppsventil och slangar	63
Drain valve	Avloppsventil	65
Drain valve, electrical	Avloppsventil, elektrisk	67
Drain pump	Avloppspump	69
Steam components	Ångdetaljer	71
Detergent container	Tvättmedelsbehållare	73
Emergency stop	Nödstopp	75
Key switch	Nyckelbrytare	77
Compass control loader	Compass control loader	79
Key switch	Nyckelbrytare	81
Compass control loader	Compass control loader	83
Key switch	Nyckelbrytare	85
Compass control loader	Compass control loader	87
Key switch	Nyckelbrytare	89
Compass control loader	Compass control loader	91
Key switch	Nyckelbrytare	93
Compass control loader	Compass control loader	95
Key switch	Nyckelbrytare	97
Compass control loader	Compass control loader	99
Coin box	Myntlåda	101
Coin box	Myntlåda	103
Coinbox USA	Myntlåda USA	105
Electronic coin meter	Elektronisk myntmätare	107
Coin meter	Myntmätare	111
Single system	Single system	113



**W485S Compass,W4105S Compass,W4130S Compass,W4180S Compass,W4250S Compass,W4330S Compass**

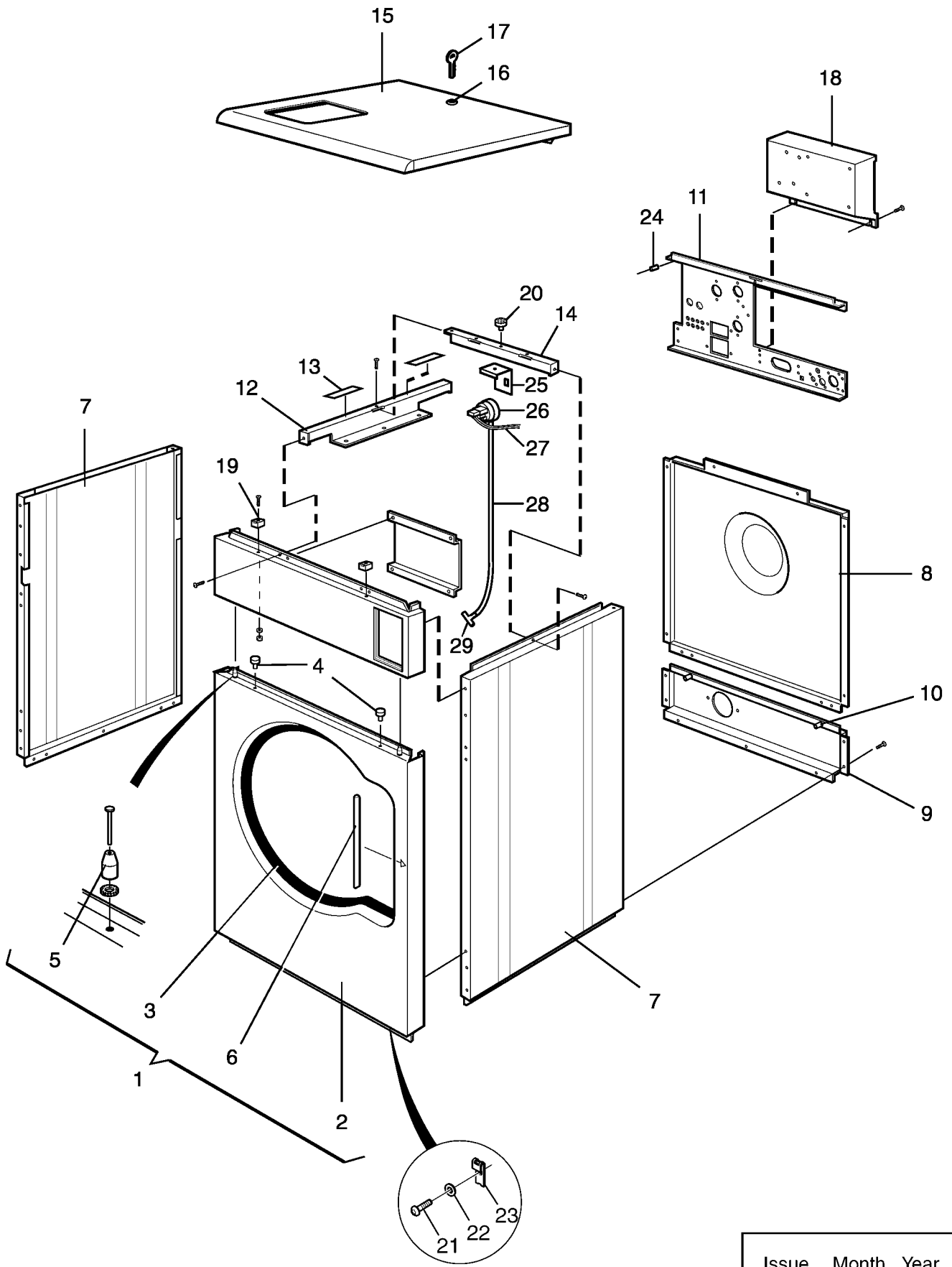
**Lining and top panel**

Illustration Issue Month Year  
Illustration Utgåva Månad År

**Klädselplåtar och topplock**

**102300/1 5 4 2013**

Item Pos.	Quantity Antal	Art.No Art.nr	Description	Benämning	Info Info	Notes Anmärkning
			W485S Compass			
			W4105S Compass			
			W4130S Compass			
			W4180S Compass			
			W4250S Compass			
			W4330S Compass			
1	1	413 2200-31	Front panel	Frontplåt	3	Wave Stainless Complete
	1	432 2200-30	Front plate	Frontplåt	3	Stainless Complete
	1	432 2200-98	Front panel	Frontplåt	3	Blue Complete
	1	432 2200-03	Front plate	Frontplåt	3	White Complete
	1	413 2200-41	Front panel	Frontplåt	3	Wave Stainless Complete
	1	432 2200-40	Front plate	Frontplåt	3	Stainless Complete
	1	432 2200-38	Front panel	Frontplåt	3	Blue Complete
	1	432 2200-33	Front plate	Frontplåt	3	White Complete
		413 2200-51	Front panel	Frontplåt	3	Wave Stainless Complete
		432 2200-50	Front plate	Frontplåt	3	Stainless Complete
		432 2200-48	Front panel	Frontplåt	3	Blue Complete
		432 2200-43	Front plate	Frontplåt	3	White Complete
		413 2200-61	Front panel	Frontplåt	3	Wave Stainless Complete
		432 2200-60	Front plate	Frontplåt	3	Stainless Complete
		432 2200-58	Front panel	Frontplåt	3	Blue Complete
		432 2200-53	Front plate	Frontplåt	3	White Complete
		413 2200-71	Front panel	Frontplåt	3	Wave Stainless Complete
		432 2200-70	Front plate	Frontplåt	3	Stainless Complete
		432 2200-68	Front panel	Frontplåt	3	Blue Complete
		432 2200-63	Front plate	Frontplåt	3	White Complete
2	1		•Front plate	•Frontplåt	3	
3	1	432 2182-01	•Strip	•List	3	
	1	432 2182-02	•Strip	•List	3	
	1	432 2182-03	•Strip	•List	3	
	1	432 2182-04	•Strip	•List	3	
4	2	471 8196-01	•Plug	•Plugg	3	
5	2	438 5109-02	•Guide pin	•Styrpinne	3	
6	1	471 4672-67	•Protection	•Skydd	3	
7	2	432 2046-03	Side panel	Sidoplåt	3	Grey
	2	432 2046-10	Side panel	Sidoplåt	3	Stainless
	2	432 2058-03	Side panel	Sidoplåt	3	Grey
	2	432 2058-10	Side panel	Sidoplåt	3	Stainless
	2	432 2041-03	Side panel	Sidoplåt	3	Grey
	2	432 2041-10	Side panel	Sidoplåt	3	Stainless
	2	432 2042-03	Side panel	Sidoplåt	3	Grey
	2	432 2042-10	Side panel	Sidoplåt	3	Stainless
	2	432 2043-03	Side panel	Sidoplåt	3	Grey
	2	432 2043-10	Side panel	Sidoplåt	3	Stainless
	2	432 2044-03	Side panel	Sidoplåt	3	Grey
	2	432 2044-10	Side panel	Sidoplåt	3	Stainless
8	1	432 2070-01	Rear panel	Bakstycke	3	Upper
	1	413 5005-01	Rear panel	Bakstycke	3	





**W485S Compass,W4105S Compass,W4130S Compass,W4180S Compass,W4250S Compass,W4330S Compass**

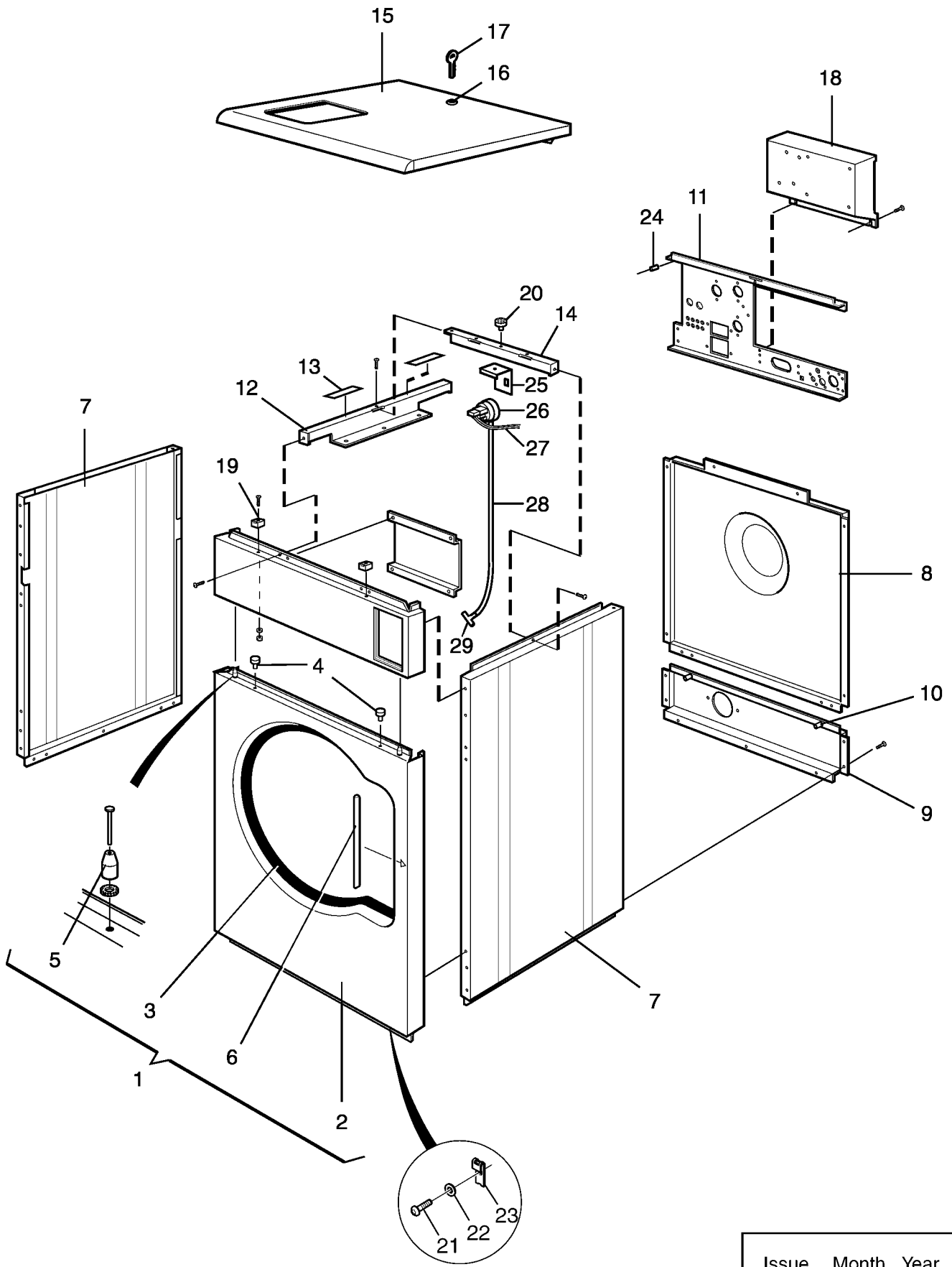
**Lining and top panel**

Illustration Issue Month Year  
Illustration Utgåva Månad År

**Klädselplåtar och topplock**

**102300/1 5 4 2013**

Item Pos.	Quantity Antal	Art.No Art.nr	Description	Benämning	Info Info	Notes Anmärkning
			W485S Compass			
			W4105S Compass			
			W4130S Compass			
			W4180S Compass			
			W4250S Compass			
			W4330S Compass			
	1	432 2072-01	Rear panel	Bakstycke	3	Upper - 595/999999, -521/422903
	1	413 5007-01	Rear panel	Bakstycke	3	521/422904-
	1	432 2072-02	Rear panel	Bakstycke	3	Upper
	1	413 5009-01	Rear panel	Bakstycke	3	
	1	432 2064-01	Rear panel	Bakstycke	3	Upper
	1	432 2066-01	Rear panel	Bakstycke	3	Upper
	1	432 2068-01	Rear panel	Bakstycke	3	Upper
9	1	432 2071-02	Rear panel	Bakstycke	3	
	1	432 2073-02	Rear panel	Bakstycke	3	
	1	432 2073-02	Rear panel	Bakstycke	3	
	1	432 2065-01	Rear panel	Bakstycke	3	Lower
	1	432 2067-01	Rear panel	Bakstycke	3	Lower
10	6	432 2076-01	Rear panel	Bakstycke	3	
11	6	471 8458-02	Nut	Mutter	3	M6
	1	432 2246-01	Brace bracket	Stagplåt	3	-520/999999, -521/422903
	1	432 2353-01	Brace bracket	Stagplåt	3	521/422904-
	1	432 2246-02	Brace bracket	Stagplåt	3	-595/999999, -521/422903
	1	432 2351-01	Brace bracket	Stagplåt	3	521/422904-
	1	432 2247-01	Brace bracket	Stagplåt	3	-650/999999, -651/412956
	1	432 2352-01	Brace bracket	Stagplåt	3	651/412957-
	1	432 2248-01	Brace bracket	Stagplåt	3	-725/999999, -651/412956
	1	432 2355-01	Brace bracket	Stagplåt	3	651/412957-
	1	432 2249-01	Brace bracket	Stagplåt	3	-795/999999, -651/412956
12	1	432 2356-01	Brace bracket	Stagplåt	3	651/412957-
	1	432 2130-08	Brace	Stag	3	
	1	432 2130-03	Brace	Stag	3	
	1	432 2130-06	Brace	Stag	3	
	1	432 2131-05	Brace	Stag	3	
	1	432 2131-06	Brace	Stag	3	
	1	432 2131-07	Brace	Stag	3	
13	4	471 7565-21	Velcro tape	Kardborreband	3	
14	1	432 2120-06	Brace	Stag	3	
	1	432 2122-02	Brace	Stag	3	
	1	432 2120-01	Brace	Stag	3	
	1	432 2121-05	Brace	Stag	3	
	1	432 2121-06	Brace	Stag	3	
	1	432 2121-02	Brace	Stag	3	
15	1	432 2292-65	Top panel	Topplöck	3	
	1	413 2201-09	Top panel	Topplöck	3	With lock
	1	432 2292-66	Top panel	Topplöck	3	No detergent container
	1	413 2201-15	Top panel	Topplöck	3	No detergent container
	1	432 2288-65	Top panel	Topplöck	3	
	1	413 2201-13	Top panel	Topplöck	3	With lock



**W485S Compass,W4105S Compass,W4130S Compass,W4180S Compass,W4250S Compass,W4330S Compass**

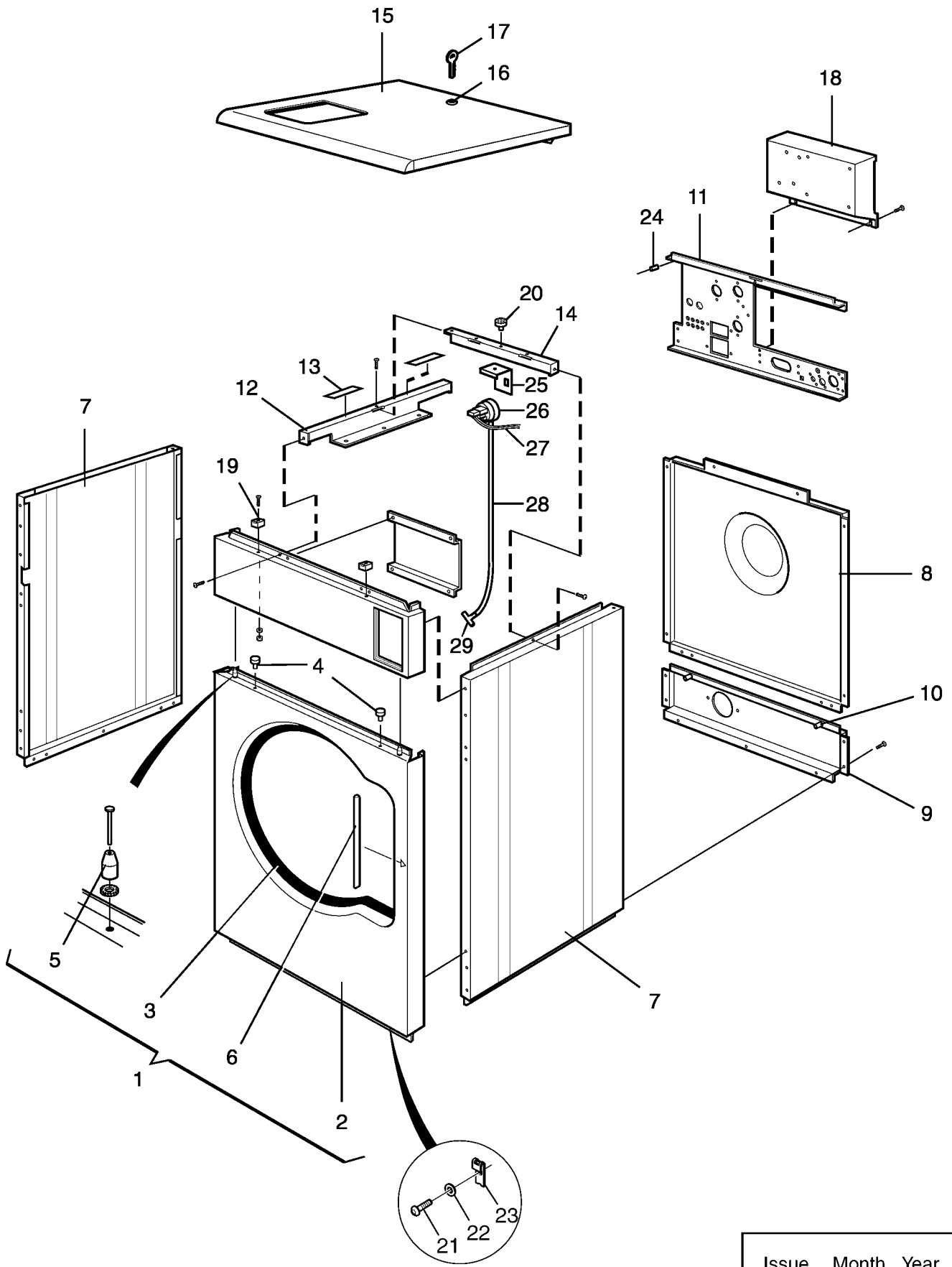
**Lining and top panel**

Illustration Issue Month Year  
Illustration Utgåva Månad År

**Klädselplåtar och topplock**

**102300/1 5 4 2013**

Item Pos.	Quantity Antal		Art.No Art.nr	Description	Benämning	Info Info	Notes Anmärkning
	W485S Compass						
	W4105S Compass						
	W4130S Compass						
	W4180S Compass						
	W4250S Compass						
	W4330S Compass						
	1			432 2288-66	Top panel	Topplock	3 No detergent container
	1			413 2201-18	Top panel	Topplock	3 No detergent container
		1		432 2294-65	Top panel	Topplock	3
		1		413 2201-04	Top panel	Topplock	3 With lock
		1		432 2294-66	Top panel	Topplock	3 No detergent container
		1		413 2201-20	Top panel	Topplock	3 No detergent container With lock
			1	432 2289-65	Top panel	Topplock	3
			1	413 2201-05	Top panel	Topplock	3 With lock
			1	432 2289-66	Top panel	Topplock	3 No detergent container
			1	413 2201-31	Top panel	Topplock	3 No detergent container
			1	432 2290-65	Top panel	Topplock	3
			1	413 2201-06	Top panel	Topplock	3 With lock
			1	432 2290-66	Top panel	Topplock	3 No detergent container
			1	413 2201-32	Top panel	Topplock	3 No detergent container
			1	432 2291-65	Top panel	Topplock	3
			1	432 2291-66	Top panel	Topplock	3 No detergent container
			1	413 2201-07	Top panel	Topplock	3 With lock
			1	413 2201-33	Top panel	Topplock	3 No detergent container
<b>16</b>	1	1	1	1	1	1	471 7826-10 •Lock 1,2
<b>17</b>	1	1	1	1	1	1	472 9900-99 •Key 1,2 SET
<b>18</b>	1						432 2259-01 Plate 3
	1						432 2215-01 Plate 3
		1					432 2259-01 Plate 3
		1					432 2215-01 Plate 3
			1				432 2259-01 Plate 3
			1				432 2215-01 Plate 3
			1				432 2259-01 Plate 3
			1				432 2215-01 Plate 3
			1				432 2259-01 Plate 3
			1				432 2215-01 Plate 3
<b>19</b>	2	2	2	2	2	2	432 2273-01 Guide 3
<b>20</b>	1	1	1	1	1	1	471 8641-02 Plug 3
<b>21</b>	2	2	2	2	2	2	471 8344-35 Screw 3 M6X16
<b>22</b>	2	2	2	2	2	2	735 2153-01 Lock washer 3 6,4
<b>23</b>	2	2	2	2	2	2	471 7864-01 Clip 3 M6
<b>24</b>	2	2	2	2	2	2	432 2180-01 Spacer 3
<b>25</b>	-	-	-	-	-	-	-
			1	1	1	1	432 6318-01 Bracket 3 Not used
<b>26</b>	-	-	-	-	-	-	-
			1				471 8861-04 Level control 1 Nivåkontroll



**W485S Compass,W4105S Compass,W4130S Compass,W4180S Compass,W4250S Compass,W4330S Compass**

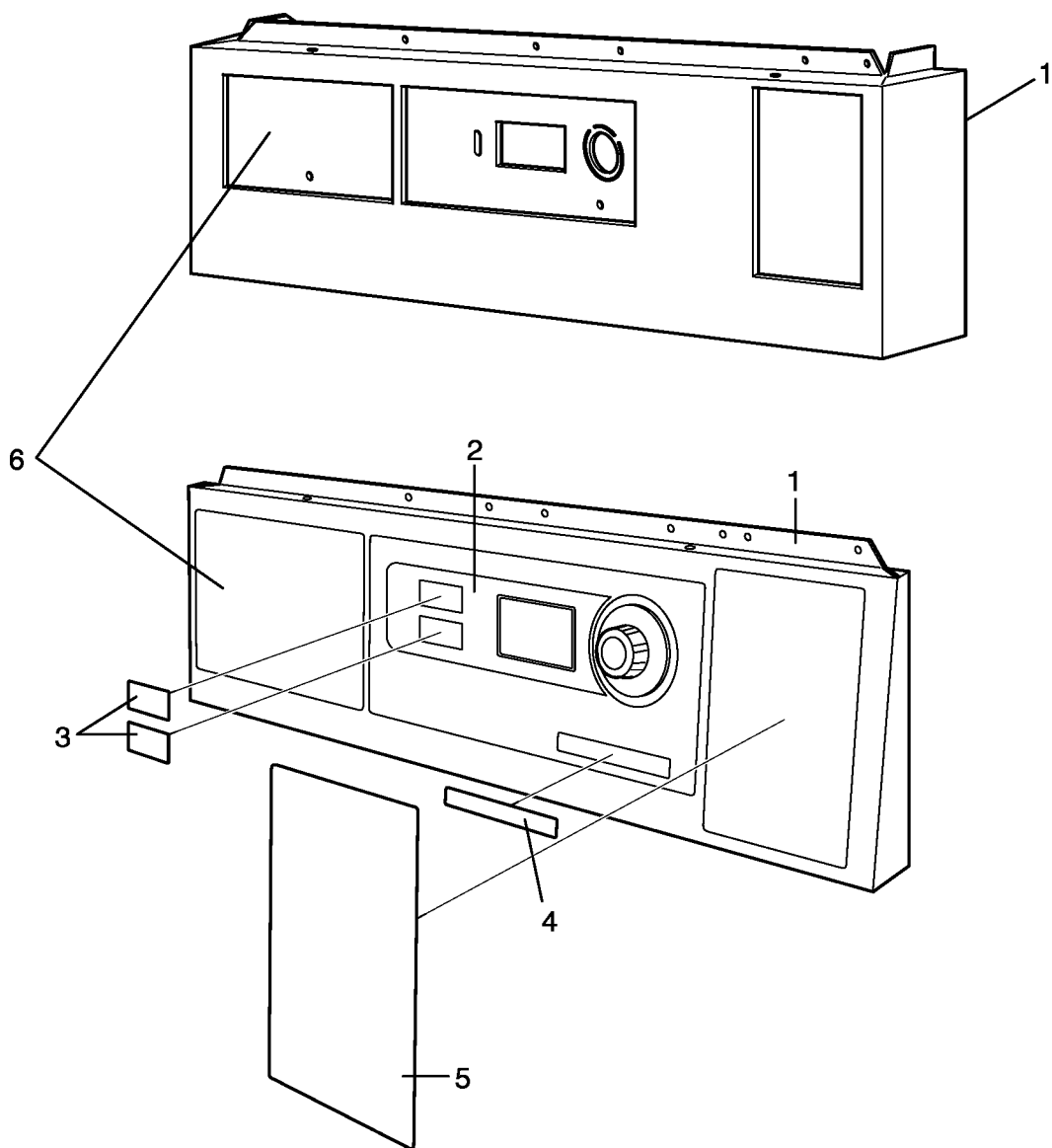
**Lining and top panel**

Illustration Issue Month Year  
Illustration Utgåva Månad År

**Klädselplåtar och topplock**

**102300/1 5 4 2013**

Item Pos.	Quantity Antal	Art.No Art.nr	Description	Benämning	Info Info	Notes Anmärkning
			W485S Compass			
			W4105S Compass			
			W4130S Compass			
			W4180S Compass			
			W4250S Compass			
			W4330S Compass			
27	-	1 1 1	471 8861-02 Level control	Nivåkontroll	1	Not used
	-	1 1 1 1	413 2915-01 Cable set	Ledningssats	3	Compass Control
	-	1 1 1 1	413 2915-02 Cable set	Ledningssats	3	MOP Heating Clarus Control
28	-	1 1 1 1	471 2436-10 Hose	Slang	3	Not used
29	-	1 1 1 1	471 2265-69 T-pipe	T-rör	3	Not used



**W485S Compass,W4105S Compass,W4130S Compass,W4180S Compass,W4250S Compass,W4330S Compass**

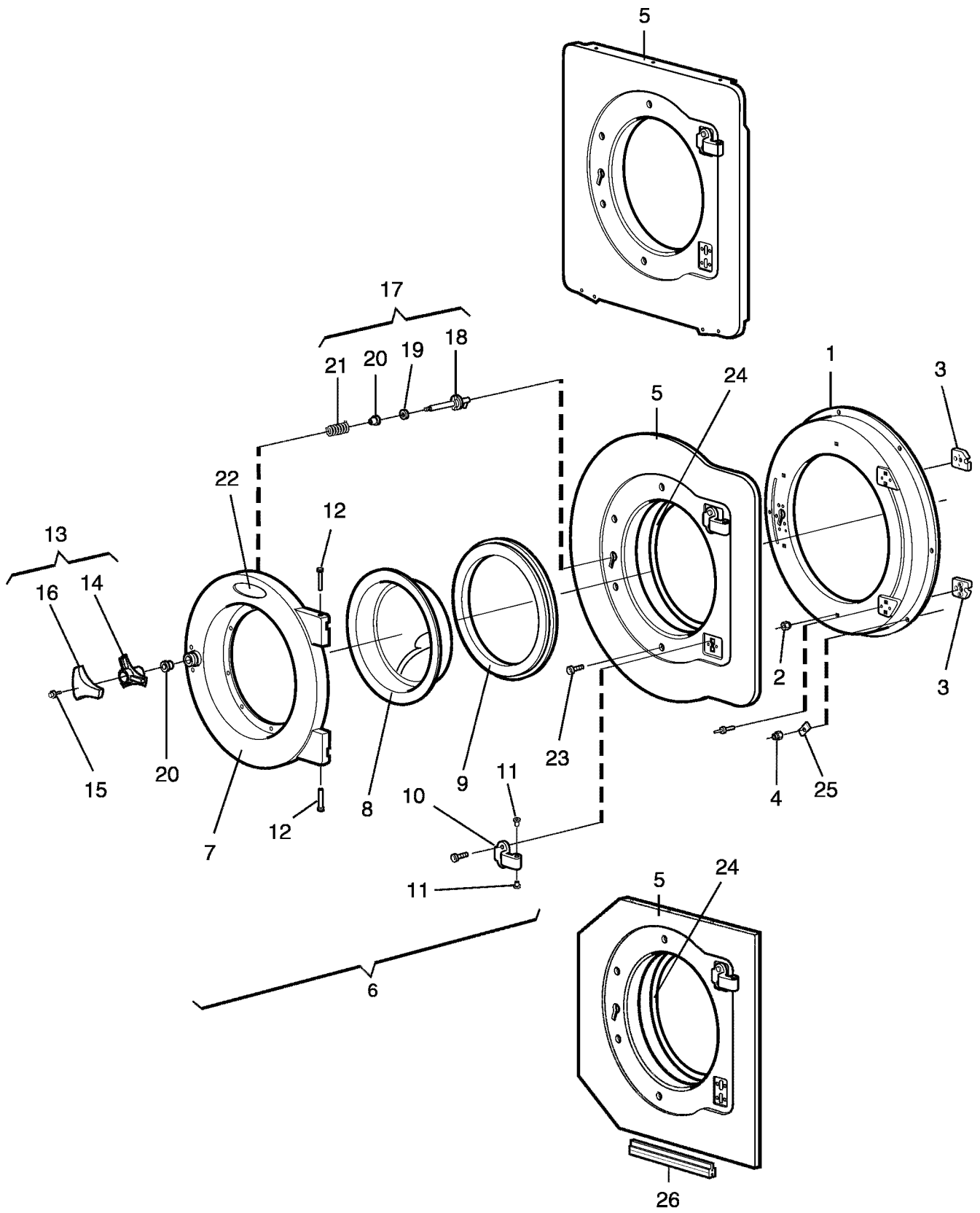
**Control panel**

Illustration Issue Month Year  
Illustration Utgåva Månad År

**Manöverpanel**

**102378/1 3 4 2012**

Item Pos.	Quantity Antal		Art.No Art.nr	Description	Benämning	Info Info	Notes Anmärkning					
	W485S Compass											
	W4105S Compass											
	W4130S Compass											
	W4180S Compass											
	W4250S Compass											
	W4330S Compass											
1	1			432 2260-01	Front panel	Frontpanel	3					
		1	1	432 2261-01	Front panel	Frontpanel	3					
			1	432 2262-01	Front panel	Frontpanel	3					
			1	432 2263-01	Front panel	Frontpanel	3					
			1	432 2264-01	Front panel	Frontpanel	3					
2	1	1	1	1	1	1	1	472 5792-02	Panel sign	Panelskylt	1	40°, 60°
	1	1	1	1	1	1	1	472 5792-01	Panel sign	Panelskylt	1	1&2
	1	1	1	1	1	1	1	472 5792-10	Panel sign	Panelskylt	1	1&2 Coin
	1	1	1	1	1	1	1	472 5793-01	Panel sign	Panelskylt	1	NEUTRAL USA, OPL
3	1	1	1	1	1	1	1	471 7788-10	Sign	Skylt	3	
4	1							413 2602-11	Type plate	Typskylt	3	W485S
	1							413 2611-03	Type plate	Typskylt	3	SU620cc Coin
	1							413 2611-04	Type plate	Typskylt	3	SU620co OPL
		1						413 2603-11	Type plate	Typskylt	3	W4105S
			1					413 2604-11	Type plate	Typskylt	3	W4130S
				1				413 2611-12	Type plate	Typskylt	3	SU630cc Coin
					1			413 2611-13	Type plate	Typskylt	3	SU630co OPL
						1		413 2605-11	Type plate	Typskylt	3	W4180S
							1	413 2611-22	Type plate	Typskylt	3	SU640cc Coin
							1	413 2611-23	Type plate	Typskylt	3	SU640co OPL
							1	413 2611-59	Type plate	Typskylt	3	SU645cc Coin
							1	413 2611-58	Type plate	Typskylt	3	SU645co OPL
							1	413 2606-11	Type plate	Typskylt	3	W4250S
							1	413 2611-32	Type plate	Typskylt	3	SU655cc Coin
							1	413 2611-33	Type plate	Typskylt	3	SU655co OPL
							1	413 2611-67	Type plate	Typskylt	3	SU662cc Coin
							1	413 2611-66	Type plate	Typskylt	3	SU662co OPL
							1	413 2609-11	Type plate	Typskylt	3	W4330S
							1	413 2611-42	Type plate	Typskylt	3	SU675cc Coin
							1	413 2611-43	Type plate	Typskylt	3	SU675co OPL
							1	413 2611-75	Type plate	Typskylt	3	SU677cc Coin
							1	413 2611-74	Type plate	Typskylt	3	SU677co OPL
5	1	1	1	1	1	1	1	432 2150-11	Cover plate	Täckplåt	3	
6	1							432 2648-11	Instruction plate	Instruktionsskylt	3	40°, 60°
		1	1	1	1	1	1	432 2647-23	Instruction plate	Instruktionsskylt	3	40°, 60°
		1						432 2648-12	Instruction plate	Instruktionsskylt	3	1, 2
		1	1	1	1	1	1	432 2647-24	Instruction plate	Instruktionsskylt	3	1, 2
		1						432 2648-13	Instruction plate	Instruktionsskylt	3	NEUTRAL
		1	1	1	1	1	1	432 2647-26	Instruction plate	Instruktionsskylt	3	NEUTRAL
		1						432 2648-20	Instruction plate	Instruktionsskylt	3	English
		1						432 2648-21	Instruction plate	Instruktionsskylt	3	Swedish
		1	1	1	1	1	1	432 2647-21	Instruction plate	Instruktionsskylt	3	Swedish
		1						432 2648-22	Instruction plate	Instruktionsskylt	3	USA
												English/Spanish COIN
		1	1	1	1	1	1	432 2647-30	Instruction plate	Instruktionsskylt	3	USA
												English/Spanish COIN
		1						432 2648-13	Instruction plate	Instruktionsskylt	3	USA, OPL
		1	1	1	1	1	1	432 2647-26	Instruction plate	Instruktionsskylt	3	USA, OPL





**W485S Compass,W4105S Compass,W4130S Compass,W4180S Compass,W4250S Compass,W4330S Compass**

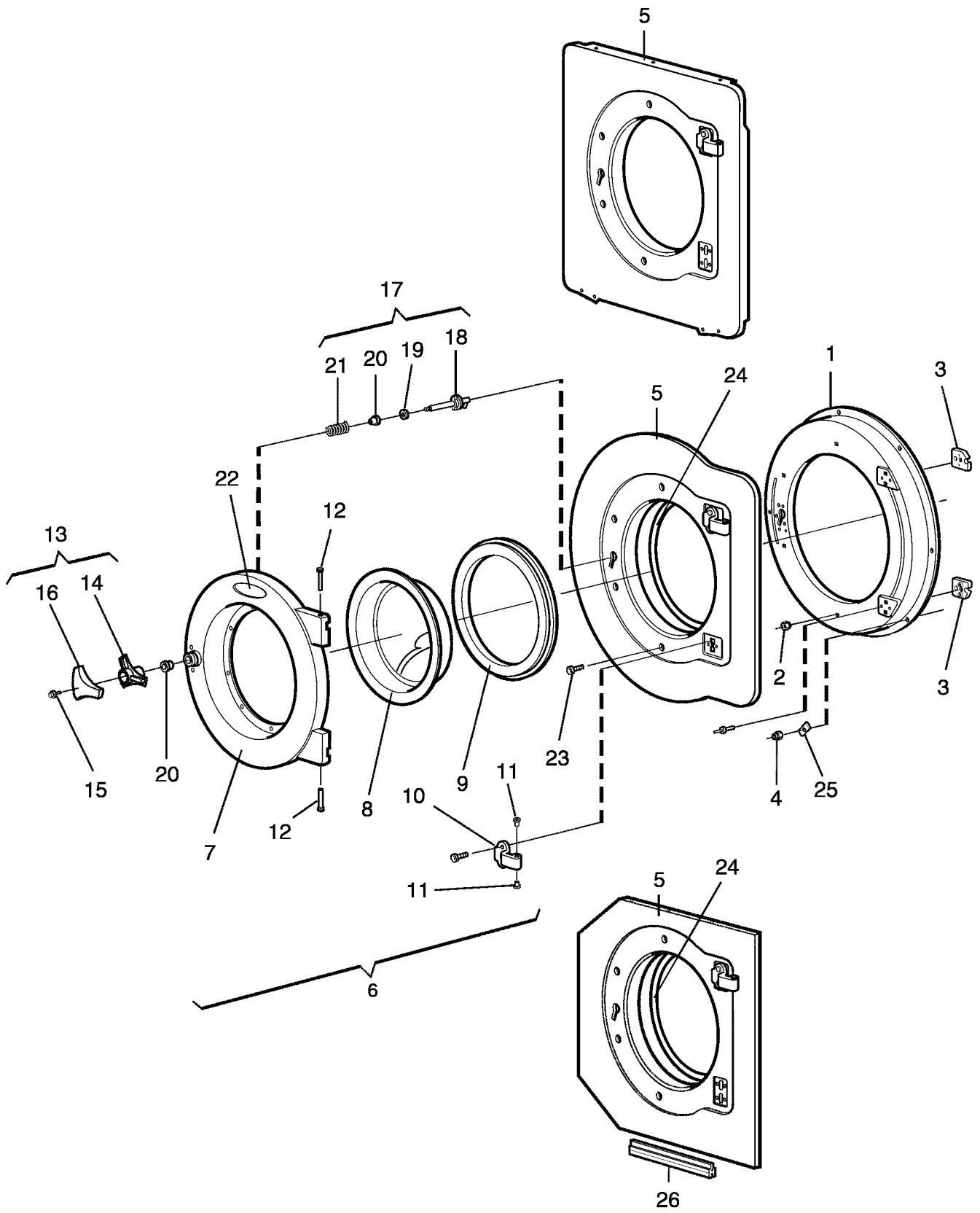
**Door and hinged joint**

Illustration Issue Month Year  
Illustration Utgåva Månad År

**Lucka och gångled**

**102302/1 10 12 2014**

Item Pos.	Quantity Antal		Art.No Art.nr	Description	Benämning	Info Info	Notes Anmärkning
	W485S Compass						
	W4105S Compass						
	W4130S Compass						
	W4180S Compass						
	W4250S Compass						
	W4330S Compass						
1	1			432 1870-01	Support frame	Fästplatta	3
		1	1	432 1871-01	Support frame	Fästplatta	3
			1	432 1872-01	Support frame	Fästplatta	3
			1	432 1873-01	Support frame	Fästplatta	3
			1	432 1874-01	Support frame	Fästplatta	3
2	4	4	4	4	4	•Nut	3 M6
3	2	2	4	4	4	•Bracket	3
4	9	9	11	11	11	471 8404-02 Locking nut	3 M6
5	1					432 1885-03 Trim panel	3
	1					432 1885-11 Trim panel	3 Stainless
		1	1			432 1886-02 Trim panel	3
		1				432 1886-11 Trim panel	3 Stainless
			1			432 1889-02 Trim panel	3
			1	1		432 1890-02 Trim panel	3
6	1					413 4012-01 Door	1 Complete
		1	1			413 4112-01 Door	1 Complete
			1			413 4212-01 Door	1 Complete
			1			413 4212-02 Door	1 Complete
			1	1		413 4312-01 Door	1 Complete
			1	1		413 4312-02 Door	1 Complete
7	1					•Door	3
		1	1			•Door	3
			1			•Door	3
			1	1		•Door	3
8	1					432 1855-01 •Door glass	1,2
		1	1			432 1856-01 •Door glass	1,2
			1			432 1857-01 •Door glass	1,2
			1	1		432 1858-01 •Door glass	1,2
			1			432 1857-02 •Door glass	1,2 Lagoon/ AquaClean
			1	1		432 1858-02 •Door glass	1,2 Lagoon/ AquaClean
9	1					432 1840-02 •Door gasket	1,2 Black
	1					432 1840-03 •Door gasket	1,2 EPDM Grey
		1	1			432 1841-02 •Door gasket	1,2 Black
		1	1			432 1841-04 •Door gasket	1,2 Silicon Grey
			1			432 1842-02 •Door gasket	1,2 Black
			1			432 1842-03 •Door gasket	1,2 EPDM Grey
			1	1		432 1843-02 •Door gasket	1,2 Black
			1	1		432 1843-04 •Door gasket	1,2 Silicon Grey
10	2	2	4	4	4	432 1950-02 •Hinged joint	1
11	4	4	8	8	8	438 4062-01 •Bushing	3
12	2	2				432 1961-01 •Pin	3
			2	2	2	432 1962-01 •Pin	3
13	1	1	1	1	1	472 9920-02 •Knob	1,2 Complete
14	1	1	1	1	1	••Knob	Complete
15	1	1	1	1	1	725 2366-61 ••Screw	3 M6SF 6X12
16	1	1	1	1	1	432 2270-01 ••Knob	3
17	1	1	1	1	1	472 9920-01 •Lock shaft	1,2 Complete
18	1	1	1	1	1	••Lock shaft	
19	1	1	1	1	1	••Washer	



**W485S Compass,W4105S Compass,W4130S Compass,W4180S Compass,W4250S Compass,W4330S Compass**

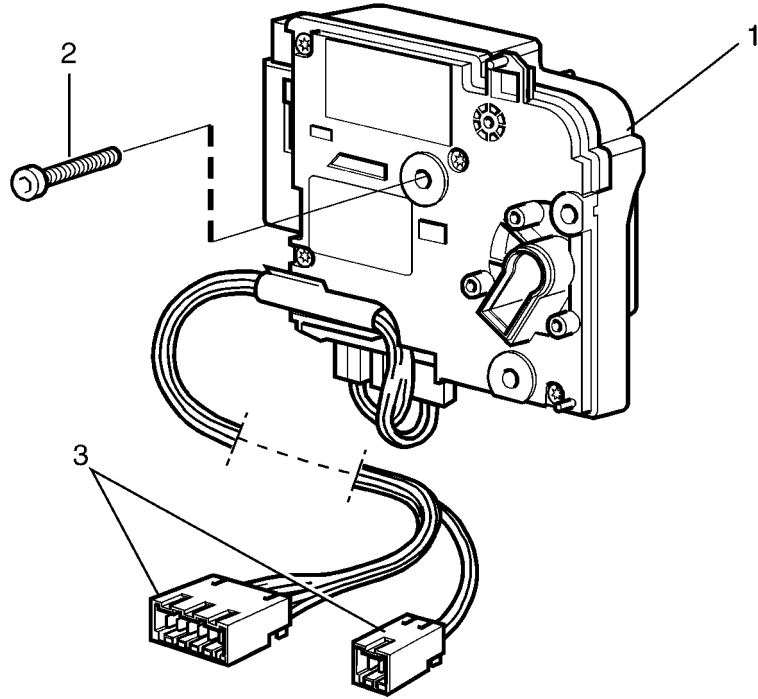
**Door and hinged joint**

Illustration Issue Month Year  
Illustration Utgåva Månad År

**Lucka och gångled**

**102302/1 10 12 2014**

Item Pos.	Quantity Antal						Art.No Art.nr	Description	Benämning	Info Info	Notes Anmärkning
	W485S Compass										
	W4105S Compass										
	W4130S Compass										
	W4180S Compass										
	W4250S Compass										
	W4330S Compass										
20	2	2	2	2	2	2	••Bushing	••Bussning			
21	1	1	1	1	1	1	••Torsion spring	••Vridfjäder			
22	1	1	1	1	1	1	432 2620-12 Sign	Skylt	3	Electrolux	
	1	1	1	1	1	1	432 2620-02 Sign	Skylt	3	Wascomat	
	1	1	1	1	1	1	432 2620-03 Sign	Skylt	3	Nyborg	
	1	1	1	1	1	1	432 2620-04 Sign	Skylt	3	Zanussi	
23	8	8	8	12	12	12	471 8344-36 Screw	Skruv	3		
24	1		1				438 8115-01 Rubber strip	Gummilist	3	L=1065	
		1	1				438 8115-02 Rubber strip	Gummilist	3	L=1255	
				1			438 8115-03 Rubber strip	Gummilist	3	L=1350	
					1	1	438 8115-04 Rubber strip	Gummilist	3	L=1470	
25	9	9	9	11	11	11	471 8527-01 Spring washer	Fjäderbricka	3		
26	-	-	-	-	-	-				Not used	
						1	432 2198-02 Rubber strip	Gummilist	3		



**W485S Compass,W4105S Compass,W4130S Compass,W4180S Compass,W4250S Compass,W4330S Compass**

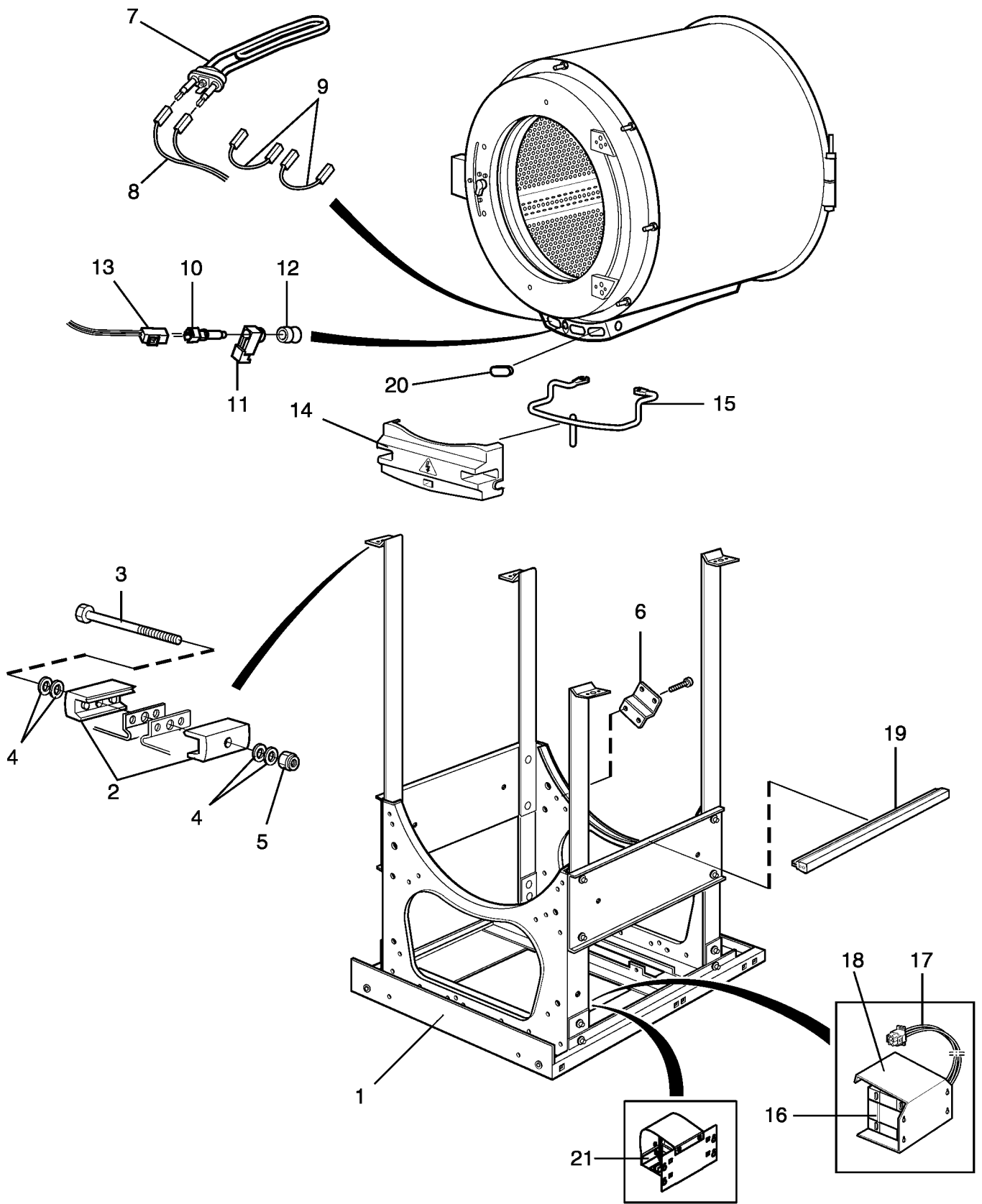
**Door lock**

Illustration Issue Month Year  
Illustration Utgåva Månad År

**Lucklås**

**102500/1 1 3 2009**

Item Pos.	Quantity Antal		Art.No Art.nr	Description	Benämning	Info Info	Notes Anmärkning
	W485S Compass						
	W4105S Compass						
	W4130S Compass						
	W4180S Compass						
	W4250S Compass						
	W4330S Compass						
1	1	1	1	1	438 9561-01 Door locking device	Lucklås	1,2 Complete
2	3	3	3	3	471 8342-47 Screw	Skruv	3 M6X25
3	1				432 2905-06 Cable set	Ledningssats	3
		1	1		432 2905-08 Cable set	Ledningssats	3
				1	432 2905-10 Cable set	Ledningssats	3
					432 2905-12 Cable set	Ledningssats	3
				1	432 2905-14 Cable set	Ledningssats	3



**W485S Compass,W4105S Compass,W4130S Compass,W4180S Compass,W4250S Compass,W4330S Compass**

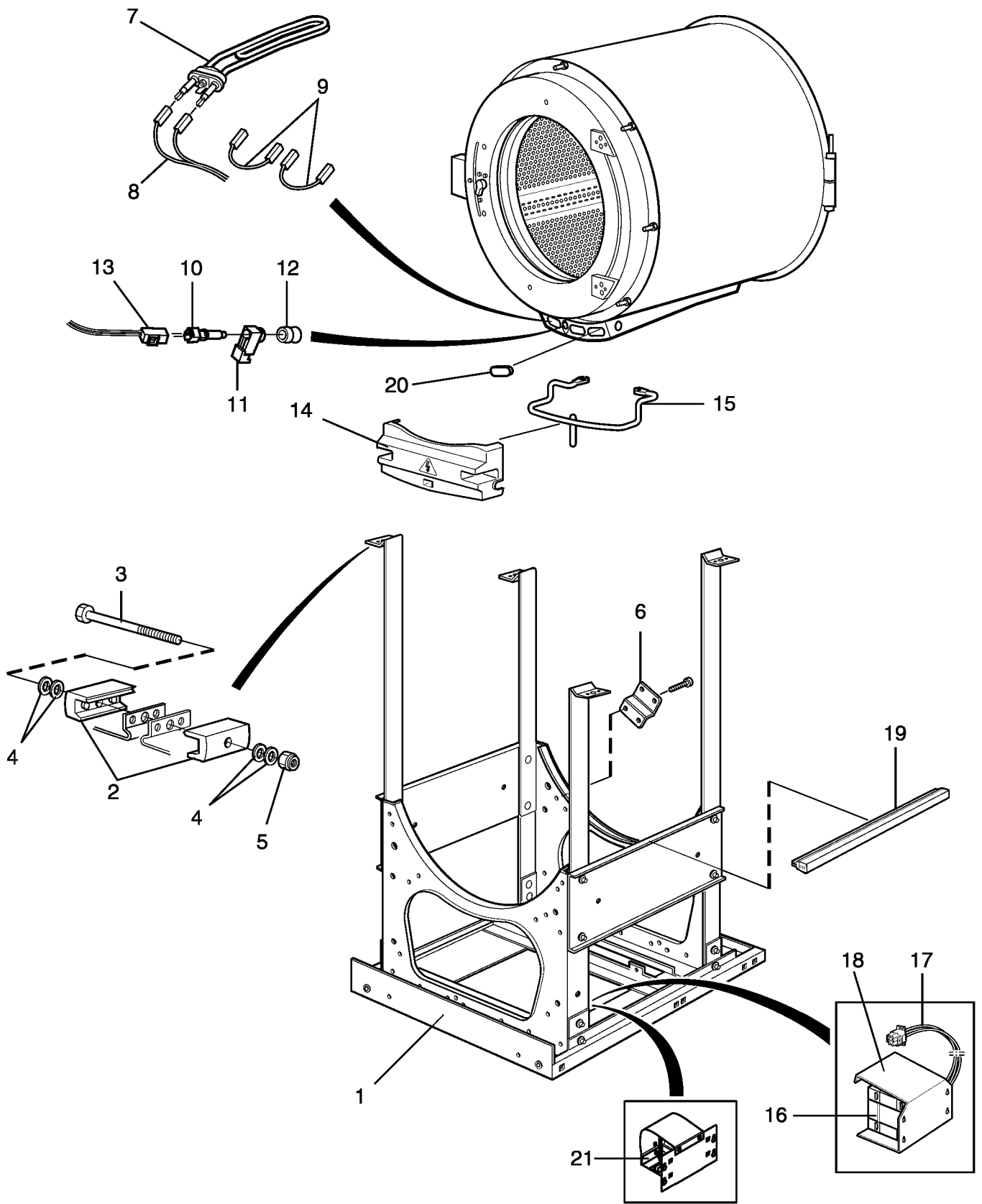
**Base and outer drum**

Illustration Issue Month Year  
Illustration Utgåva Månad År

**Stativ och yttertrumma**

**102674 6 3 2013**

Item Pos.	Quantity Antal						Art.No Art.nr	Description	Benämning	Info Info	Notes Anmärkning
	W485S Compass										
	W4105S Compass										
	W4130S Compass										
	W4180S Compass										
	W4250S Compass										
	W4330S Compass										
1	1						413 4015-62	Frame	Stativ	3	
		1					413 4115-61	Frame	Stativ	3	
			1				413 4115-62	Frame	Stativ	3	
				1			413 4215-61	Frame	Stativ	3	
					1		413 4315-62	Frame	Stativ	3	
						1	413 4415-61	Frame	Stativ	3	
2	4	4	4	4	4	4	432 1453-01	•Tensioner	•Spänne	3	
3	2	2	2	2	2	2	725 2465-71	•Screw	•Skruv	3	M8X70
4	8	8	8	8	8	8	471 7807-02	•Tension plate	•Spännbricka	3	18x8,4x2
5	2	2	2	2	2	2	732 2118-01	•Locking nut	•Låsmutter	3	M8
6	1	1	1	1	1	1	432 1451-01	•Bracket	•Vridskydd	3	
						1	432 1451-02	•Bracket	•Vridskydd	3	
7	3						471 9821-01	Heating element	Element	1,2	2,5kW 240V
	3						471 9821-04	Heating element	Element	1,2	1kW 240V
	3						471 9821-05	Heating element	Element	1,2	1,8kW 240V
	3						471 9821-06	Heating element	Element	1,2	0,665kW 240V
	3						471 9821-07	Heating element	Element	1,2	2,5kW 254V
	3						471 9821-08	Heating element	Element	1,2	2,5kW 277V
	3						471 9828-01	Heating element	Element	1,2	1.33kW 230V Mop MOP
		3	3				471 9821-11	Heating element	Element	1,2	3,33kW 240V
		3	3				471 9821-15	Heating element	Element	1,2	3.3kW 277V
		3	3				471 9821-12	Heating element	Element	1,2	2,5kW 240V
		3	3				471 9821-13	Heating element	Element	1,2	3,33kW 254V
		3	3				471 9821-14	Heating element	Element	1,2	1kW 240V
		3	3				471 9828-11	Heating element	Element	1,2	1.6kW 230V Mop
			3				471 9835-11	Heating element	Element	1,2	3.33kW 240V MOP
				3			471 9832-13	Heating element	Element	1,2	3.33kW 254V MOP
					3		471 9832-15	Heating element	Element	1,2	3.33kW 277V MOP
					3		471 9827-01	Heating element	Element	1,2	4.33kW 240V
					3		471 9827-02	Heating element	Element	1,2	4.33kW 254V
					3		471 9827-03	Heating element	Element	1,2	1.6kW 240V
					3		471 9827-04	Heating element	Element	1,2	4.33kW 277V
					3		471 9829-01	Heating element	Element	1,2	4.33kW 240V MOP
					3		471 9829-02	Heating element	Element	1,2	4.33kW 254V MOP
					3		471 9829-04	Heating element	Element	1,2	4.33kW 277V MOP
					3		471 9827-11	Heating element	Element	1,2	6kW 240V
					3		471 9827-12	Heating element	Element	1,2	6KW 254V
					3		471 9827-13	Heating element	Element	1,2	6kW 277V
					3		471 9829-11	Heating element	Element	1,2	6kW 240V MOP
					3		471 9829-12	Heating element	Element	1,2	6KW 254V MOP
					3		471 9829-13	Heating element	Element	1,2	6kW 277V MOP
					3		471 9827-21	Heating element	Element	1,2	6.6kW 240V
					3		471 9827-22	Heating element	Element	1,2	7kW 254V
					3		471 9827-23	Heating element	Element	1,2	7.6kW 277V
					3		471 9827-24	Heating element	Element	1,2	6.36kW 230V





**W485S Compass,W4105S Compass,W4130S Compass,W4180S Compass,W4250S Compass,W4330S Compass**

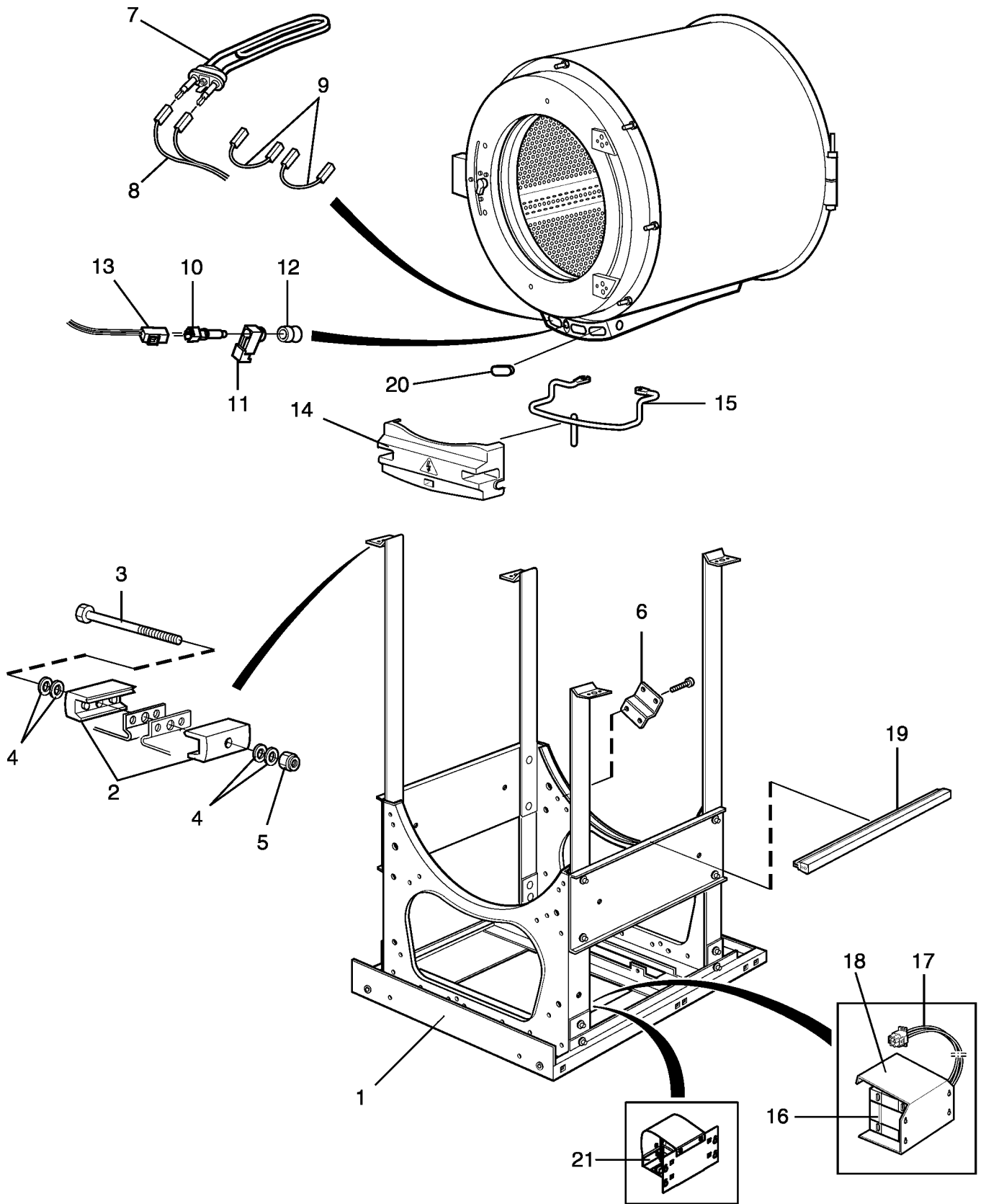
**Base and outer drum**

Illustration Issue Month Year  
Illustration Utgåva Månad År

**Stativ och yttertrumma**

**102674 6 3 2013**

Item Pos.	Quantity Antal		Art.No Art.nr	Description	Benämning	Info Info	Notes Anmärkning					
<b>8</b>	1	1	W485S Compass					3				
			W4105S Compass									
			W4130S Compass									
			W4180S Compass									
			W4250S Compass									
			W4330S Compass									
					3	<b>471 9829-21</b>	Heating element			Element	1,2	7.66kW 240V MOP
					3	<b>471 9829-22</b>	Heating element			Element	1,2	7.66kW 254V MOP
					3	<b>471 9829-23</b>	Heating element			Element	1,2	7.66kW 277V MOP
						<b>432 2950-02</b>	Cable set			Ledningssats	3	
						<b>413 2965-12</b>	Cable set			Ledningssats	3	400V
					1	<b>413 2965-13</b>	Cable set			Kabelsats	3	230V
					1	<b>413 2965-24</b>	Cable set			Ledningssats	3	EL/DS
					1	<b>413 2965-25</b>	Cable set			Ledningssats	3	1AC 240V/3AC 415V
					1	<b>413 2965-22</b>	Cable set			Ledningssats	3	400V
					1	<b>413 2965-23</b>	Cable set			Ledningssats	3	230V 1AC/230V 3AC 230V
					1	<b>413 2965-02</b>	Cable set			Ledningssats	3	400V
					1	<b>413 2965-03</b>	Cable set			Ledningssats	3	230V
		1	<b>413 2965-04</b>	Cable set	Ledningssats	3	EL/DS					
		1	<b>413 2965-05</b>	Cable set	Ledningssats	3	1AC 230V/3AC 415V					
<b>9</b>	1	1	1			3	Kit					
										2	<b>413 2965-11</b>	Cable set
<b>10</b>	1	1	1	1	1	3	400V 400V					
										2	<b>472 9904-98</b>	Sensor
<b>11</b>	1	1	1	1	1	3	Avlastning					
										1	<b>413 3272-04</b>	Cable set
<b>12</b>	1	1	1	1	1	3	Bussning					
										1	<b>413 3272-11</b>	Cable set
<b>13</b>	1	1	1	1	1	3	Temp					
										1	<b>413 3272-24</b>	Cable set
<b>14</b>	1	1	1	1	1	3	Temp					
										1	<b>413 3272-25</b>	Cable set
<b>15</b>	1	1	1	1	1	3	Skydd					
										1	<b>432 1654-01</b>	Cover
<b>16</b>	1	1	1	1	1	3	Bygel					
										1	<b>432 1653-01</b>	Clamp
<b>17</b>	1	1	1	1	1	3	200V					
										1	<b>438 9569-01</b>	Transformer
<b>18</b>	1	1	1	1	1	3	400-480V					
										1	<b>471 9550-32</b>	Transformer
<b>19</b>	1	1	1	1	1	3	100-120V					
										1	<b>438 9566-01</b>	Transformer
<b>20</b>	1	1	1	1	1	3	100-120V					
										1	<b>438 9565-01</b>	Transformer
<b>21</b>	1	1	1	1	1	3	380-480V					
										1	<b>438 9572-01</b>	Transformer
<b>22</b>	1	1	1	1	1	3	380-480V					
										1	<b>438 9562-01</b>	Transformer
<b>23</b>	1	1	1	1	1	3	100-120V					
										1	<b>438 9573-01</b>	Transformer
<b>24</b>	1	1	1	1	1	3	380-480V					
										1	<b>438 9563-01</b>	Transformer
<b>25</b>	1	1	1	1	1	3	200V					
										1	<b>432 2985-01</b>	Cable set
<b>26</b>	1	1	1	1	1	3	100-120V					
										1	<b>413 2922-01</b>	Cable set
<b>27</b>	1	1	1	1	1	3	400-480V					
										1	<b>432 2998-01</b>	Cable set
<b>28</b>	1	1	1	1	1	3	100-120V, 400-480V					
										1	<b>432 2998-01</b>	Cable set
<b>29</b>	1	1	1	1	1	3	100-120V 380-480V					
										1	<b>432 2977-01</b>	Cable set
<b>30</b>	1	1	1	1	1	3	Konsol					
										1	<b>432 1295-01</b>	Bracket
<b>31</b>	1	1	1	1	1	3	Trafo 200V					
										1	<b>432 1295-01</b>	Bracket
<b>32</b>	1	1	1	1	1	3	Konsol					
										1	<b>432 1363-01</b>	Bracket
<b>33</b>	1	1	1	1	1	3	Konsol					
										1	<b>432 1419-01</b>	Bracket
<b>34</b>	1	1	1	1	1	3	Konsol					
										1	<b>432 1421-01</b>	Bracket
<b>35</b>	1	1	1	1	1	3	Skydd					
										1	<b>432 1338-01</b>	Cover



**W485S Compass,W4105S Compass,W4130S Compass,W4180S Compass,W4250S Compass,W4330S Compass**

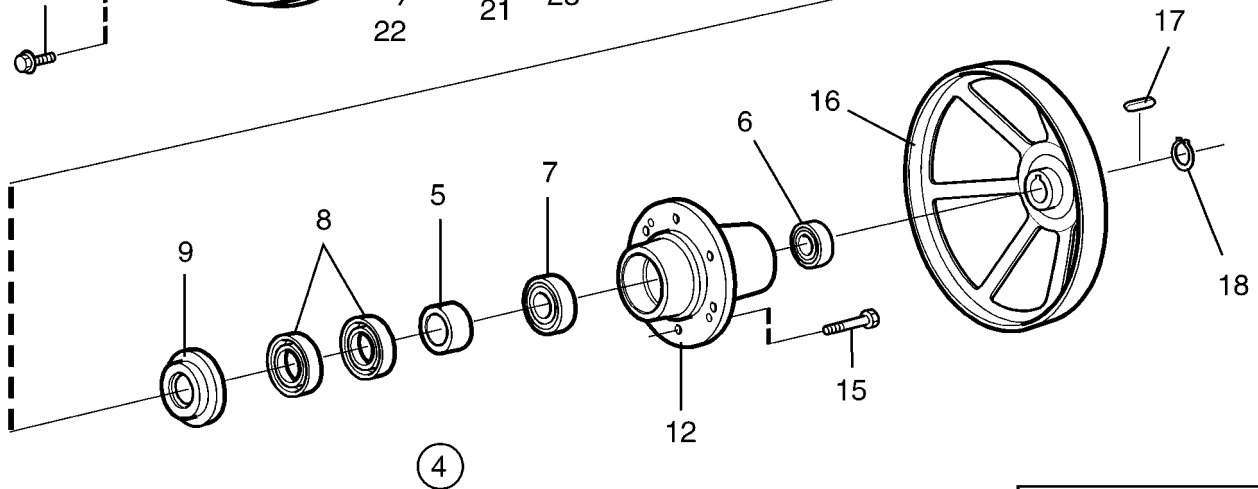
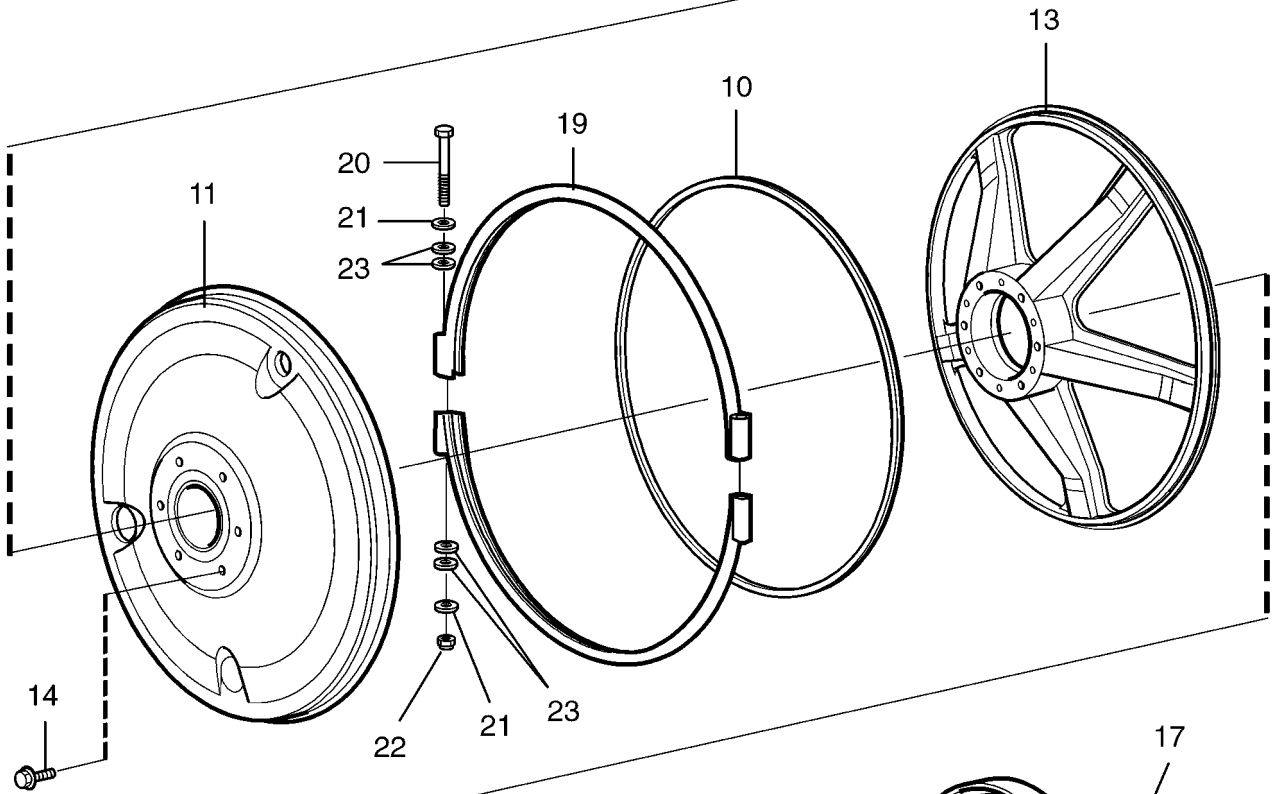
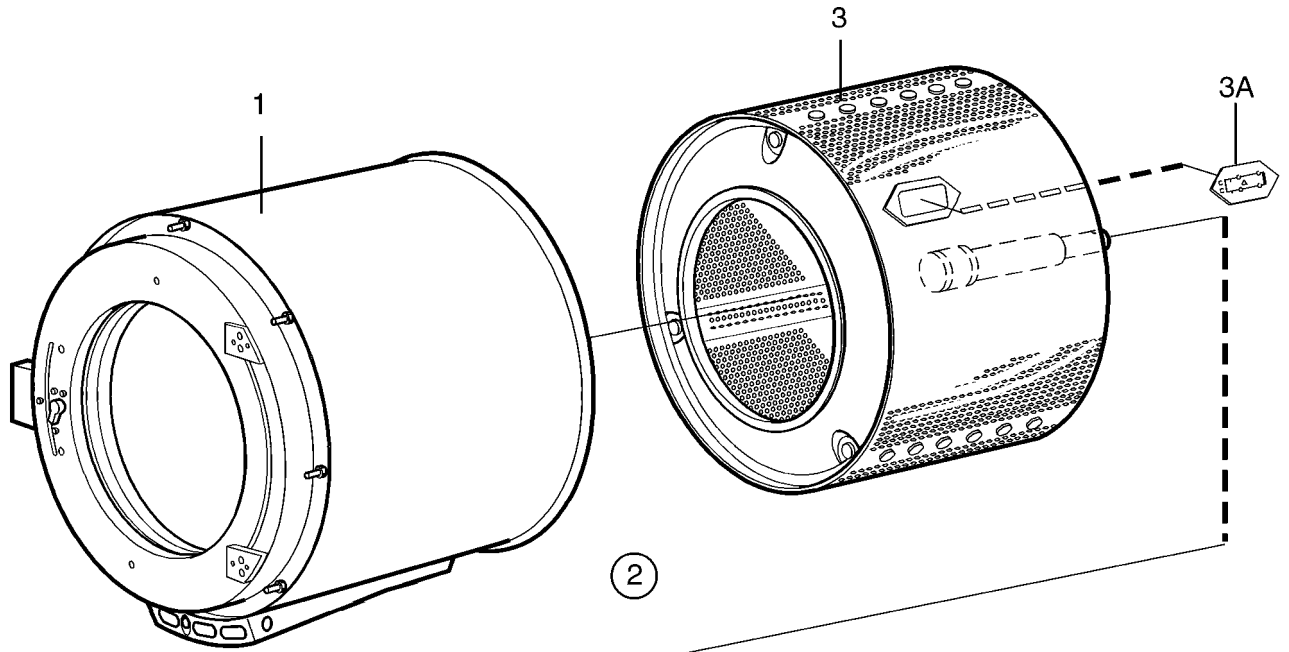
**Base and outer drum**

Illustration Issue Month Year  
Illustration Utgåva Månad År

**Stativ och yttertrumma**

**102674 6 3 2013**

Item Pos.	Quantity Antal		Art.No Art.nr	Description	Benämning	Info Info	Notes Anmärkning
	W485S Compass						
	W4105S Compass						
	W4130S Compass						
	W4180S Compass						
	W4250S Compass						
	W4330S Compass						
19	2	2		432 2198-02 Rubber strip	Gummlist	3	
			1	432 2198-01 Rubber strip	Gummlist	3	
20	Rq	Rq	Rq	471 9821-99 Plug	Propp	3	
			Rq	471 9822-99 Plug	Propp		
21	1	1	1	413 3704-10 Choke	Choke	1	7,5A
			1	413 3704-11 Choke	Choke	1	10A
			1	413 3704-12 Choke	Choke	1	15A



**W485S Compass,W4105S Compass,W4130S Compass,W4180S Compass,W4250S Compass,W4330S Compass**

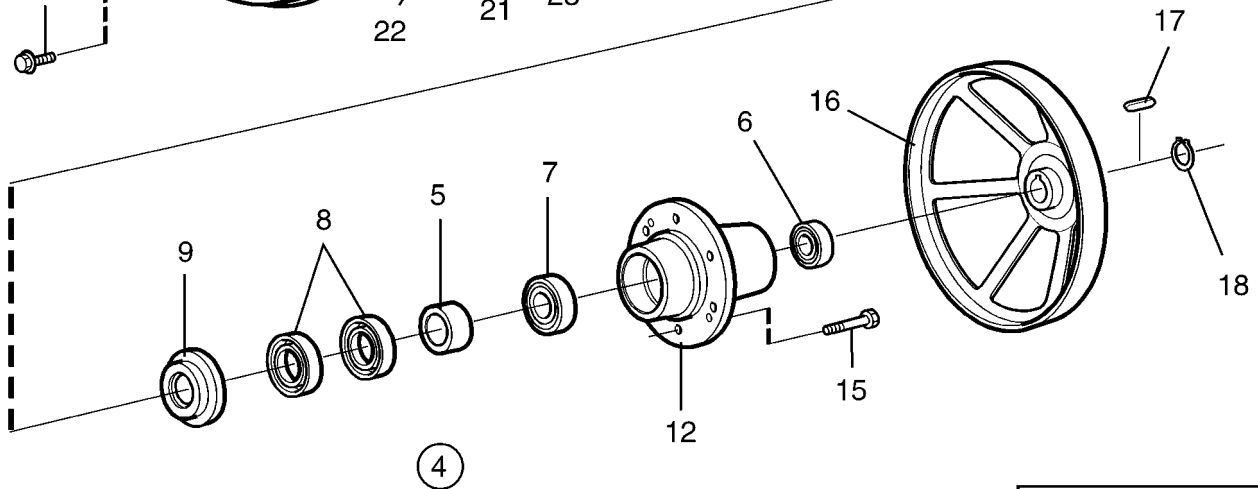
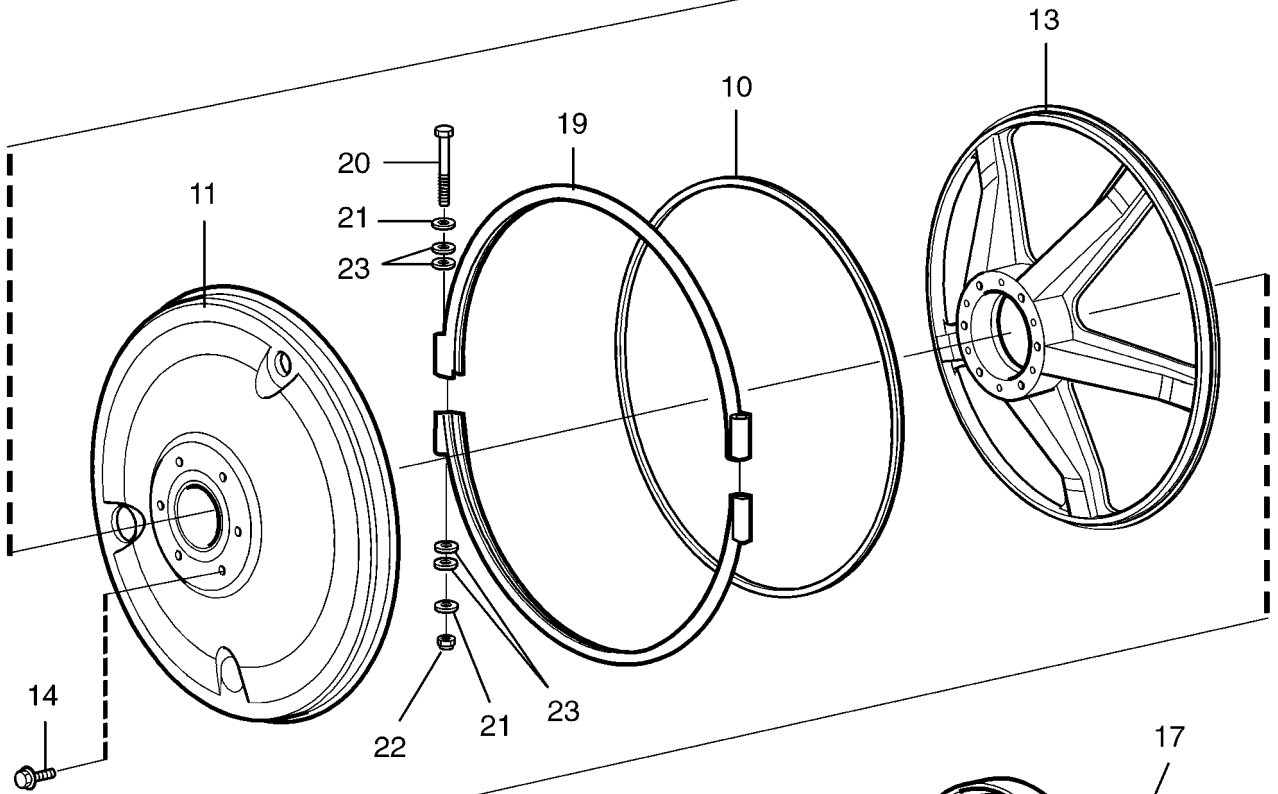
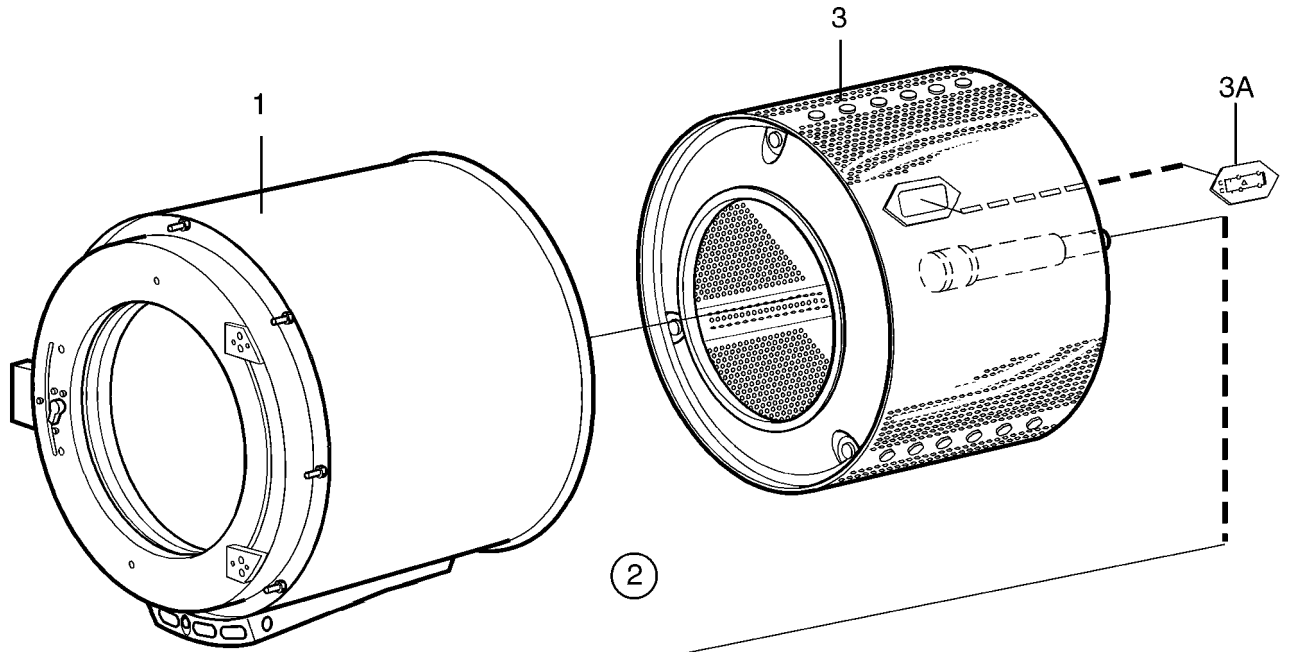
**Drum, rear gable**

Illustration Issue Month Year  
Illustration Utgåva Månad År

**Trumma,bakgavel**

**102301/1 3 1 2010**

Item Pos.	Quantity Antal	Art.No Art.nr	Description	Benämning	Info Info	Notes Anmärkning
			W485S Compass			
			W4105S Compass			
			W4130S Compass			
			W4180S Compass			
			W4250S Compass			
			W4330S Compass			
1	1	432 1570-21	Outer drum	Yttertrumma	3	Non-heated
	1	432 1570-22	Outer drum	Yttertrumma	3	El/Dual heating
	1	432 1570-23	Outer drum	Yttertrumma	3	Steam
	1	432 1571-01	Outer drum	Yttertrumma	3	Non-heated
	1	432 1571-02	Outer drum	Yttertrumma	3	El/Dual heating
	1	432 1571-03	Outer drum	Yttertrumma	3	Steam
	1	432 1571-11	Outer drum	Yttertrumma	3	Non-heated
	1	432 1571-12	Outer drum	Yttertrumma	3	El/Dual heating
	1	432 1571-13	Outer drum	Yttertrumma	3	Steam
	1	432 1572-11	Outer drum	Yttertrumma	3	Non-heated
	1	432 1572-12	Outer drum	Yttertrumma	3	El/Dual heating
	1	432 1572-13	Outer drum	Yttertrumma	3	Steam
	1	432 1573-11	Outer drum	Yttertrumma	3	Non-heated
	1	432 1573-12	Outer drum	Yttertrumma	3	El/Dual heating
	1	432 1573-13	Outer drum	Yttertrumma	3	Steam
	1	432 1574-31	Outer drum	Yttertrumma	3	Non-heated
	1	432 1574-32	Outer drum	Yttertrumma	3	El/Dual heating
	1	432 1574-33	Outer drum	Yttertrumma	3	Steam
2	1	432 1605-41	Rear gable	Bakgavel	3	Complete
	1	432 1606-01	Rear gable	Bakgavel	3	Complete
	1	432 1606-03	Rear gable	Bakgavel	3	Sluice
	1	432 1606-21	Rear gable	Bakgavel	3	Complete
	1	432 1606-22	Rear gable	Bakgavel	3	Complete Sluice
	1	432 1607-21	Rear gable	Bakgavel	3	Complete
	1	432 1607-22	Rear gable	Bakgavel	3	Sluice
	1	432 1608-21	Rear gable	Bakgavel	3	Complete
	1	432 1608-22	Rear gable	Bakgavel	3	Sluice
	1	432 1609-41	Rear gable	Bakgavel	3	
3	1	432 1500-21	•Inner drum	•Innertrumma	1	
	1	432 1501-01	•Inner drum	•Innertrumma	1	
	1	432 1501-02	•Inner drum	•Innertrumma	1	Sluice
	1	432 1501-11	•Inner drum	•Innertrumma	1	
	1	432 1501-12	•Inner drum	•Innertrumma	1	Sluice
	1	432 1502-11	•Inner drum	•Innertrumma	1	
	1	432 1502-12	•Inner drum	•Innertrumma	1	Sluice
	1	432 1503-11	•Inner drum	•Innertrumma	1	
	1	432 1503-12	•Inner drum	•Innertrumma	1	Sluice
	1	432 1504-21	•Inner drum	•Innertrumma	1	
4	1	472 9913-12	•Repair kit	•Renoveringssats	3	
	1	472 9913-13	•Repair kit	•Renoveringssats	3	
	1	472 9913-14	•Repair kit	•Renoveringssats	3	
	1	472 9913-18	•Repair kit	•Renoveringssats	3	
	1	472 9913-16	•Repair kit	•Renoveringssats	3	
5	1		••Bushing	••Bussning		
6	1		••Ball bearing	••Kullager		
7	1		••Ball bearing	••Kullager		
8	2		••Sealing ring	••Tätningssring		
9	1		••Sealing ring	••Tätningssring		
10	1	438 8155-01	••Seal	••Tätning		
	1	438 8155-02	••Seal	••Tätning		
	1	438 8155-03	••Seal	••Tätning		
	1	438 8155-04	••Seal	••Tätning		
	1	438 8155-05	••Seal	••Tätning		



**W485S Compass,W4105S Compass,W4130S Compass,W4180S Compass,W4250S Compass,W4330S Compass**

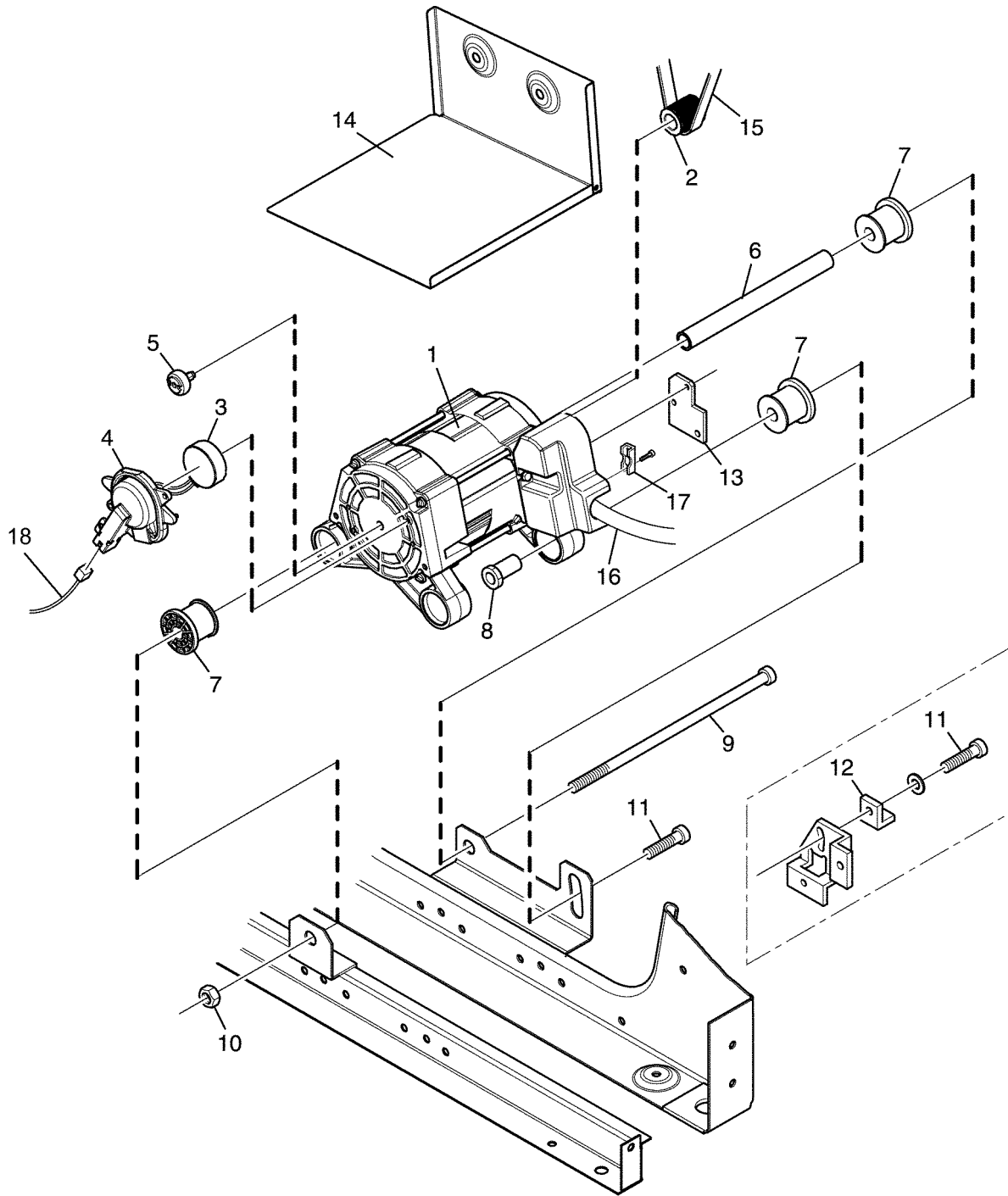
**Drum, rear gable**

Illustration Issue Month Year  
Illustration Utgåva Månad År

**Trumma,bakgavel**

**102301/1 3 1 2010**

Item Pos.	Quantity Antal						Art.No Art.nr	Description	Benämning	Info Info	Notes Anmärkning
	W485S Compass										
	W4105S Compass										
	W4130S Compass										
	W4180S Compass										
	W4250S Compass										
	W4330S Compass										
11	1						432 1545-01	•Lining	•Klädselplåt	3	
		1	1				432 1546-01	•Lining	•Klädselplåt	3	
				1			432 1547-01	•Lining	•Klädselplåt	3	
					1		432 1548-01	•Lining	•Klädselplåt	3	
						1	432 1549-01	•Lining	•Klädselplåt	3	
12	1						432 1560-01	•Bearing housing	•Lagerhus	3	
		1	1				432 1561-01	•Bearing housing	•Lagerhus	3	
				1			432 1562-01	•Bearing housing	•Lagerhus	3	
					1		432 1563-01	•Bearing housing	•Lagerhus	3	
						1	432 1564-01	•Bearing housing	•Lagerhus	3	
13	1						432 1540-01	•End piece	•Gavel	3	
		1	1				432 1541-01	•End piece	•Gavel	3	
				1			432 1542-01	•End piece	•Gavel	3	
					1		432 1543-01	•End piece	•Gavel	3	
						1	432 1544-01	•End piece	•Gavel	3	
14	6	6	6	6	6	10	471 8323-01	•Screw	•Skruv	3	M6X12
15	6	6	6	6	6	10	471 8328-02	•Screw	•Skruv	3	M12X50
16	1						432 1550-01	•Pulley	•Remskiva	3	
		1	1				432 1551-01	•Pulley	•Remskiva	3	
				1			432 1552-01	•Pulley	•Remskiva	3	
					1		432 1553-01	•Pulley	•Remskiva	3	
						1	432 1554-01	•Pulley	•Remskiva	3	
17	1						735 9370-01	•Wedge	•Kil	3	10x8x45
		1	1	1			735 9501-01	•Wedge	•Plattkil	3	14x9x50
				1	1		735 9630-01	•Wedge	•Plattkil	3	18x11x63
18	1						735 3133-00	•C-clamp	•Spårring	3	SGA35
		1	1	1			735 3139-00	•C-clamp	•Spårring	3	SGA 45
				1			735 3144-00	•C-clamp	•Spårring	3	SgA55
					1		735 3147-00	•C-clamp	•Spårring	3	SGA 60
19	2						432 1565-01	Tension strap	Spännband	3	
		2	2				432 1566-01	Tension strap	Spännband	3	
				2			432 1567-01	Tension strap	Spännband	3	
					2		432 1568-01	Tension strap	Spännband	3	
						2	432 1569-01	Tension strap	Spännband	3	
20	2	2	2	2	2	2	471 9222-59	Screw	Skruv	3	M8X140
21	4	4	4	4	4		471 8502-14	Washer	Bricka	3	BRB 8,4X17
						4	471 8502-34	Washer	Bricka	3	8,4x24x2
22	2	2	2	2	2	2	732 2118-01	Locking nut	Låsmutter	3	M8
23	-	-	-	-	-	8	471 7807-02	Tension plate	Spännbricka	3	Not used 18x8,4x2





**W485S Compass,W4105S Compass,W4130S Compass,W4180S Compass,W4250S Compass,W4330S Compass**

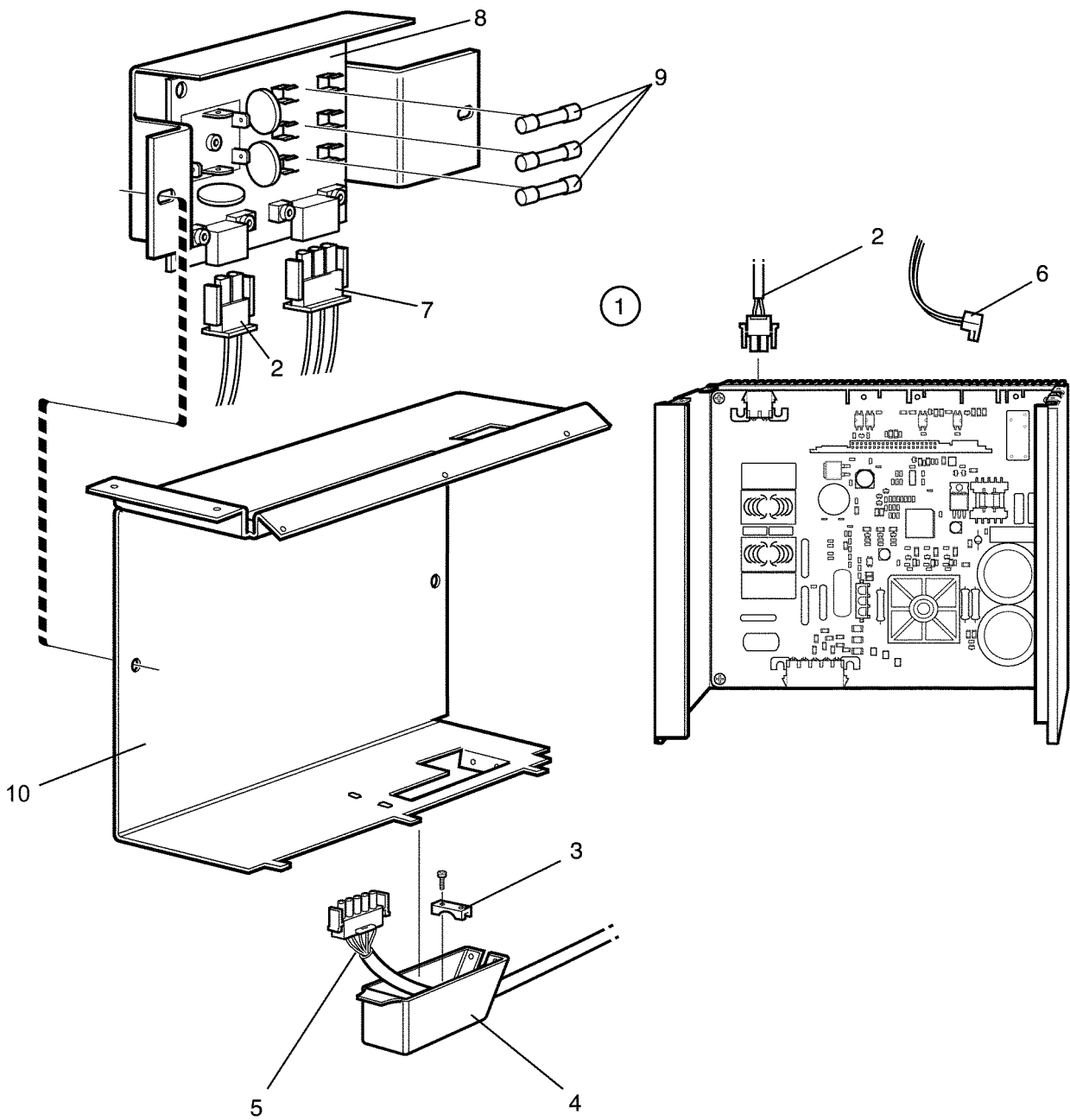
**Motor**

Illustration Issue Month Year  
Illustration Utgåva Månad År

**Motor**

**102665 3 10 2010**

Item Pos.	Quantity Antal		Art.No Art.nr	Description	Benämning	Info Info	Notes Anmärkning
	W485S Compass						
	W4105S Compass						
	W4130S Compass						
	W4180S Compass						
	W4250S Compass						
	W4330S Compass						
1	1	1		413 9701-21 Motor	Motor	1	
		1		438 9702-61 Motor	Motor	1	
		1		438 9703-51 Motor	Motor	1	
		1		438 9704-41 Motor	Motor	1	
		1		438 9705-02 Motor	Motor	1	
2	1	1	1	1	1	1	•Pulley
3	1	1	1	1	1	1	•Tacho sensor
4	1	1	1	1	1	1	•Cover
5	1	1	1	1	1	1	•Magnet
6	1	1					•Pipe
		1					•Pipe
		1					•Pipe
		1					•Pipe
		1					•Pipe
7	3	3	3	3	3	3	438 8158-01 •Rubber bushing
							438 8158-02 •Rubber bushing
8	1	1	1	1	1	1	432 1465-01 •Flange bushing
9	1	1	1				471 8356-10 Screw
			1	1			471 8356-05 Screw
				1			471 8356-08 Screw
10	1	1	1	1	1	1	732 2122-01 Locking nut
11	1	1	1	1	1	1	471 8328-10 Screw
12	1	1					
		1	1	1	1	1	432 1455-01 Washer
13	1	1	1	1	1	1	438 9799-03 Cover
14	1	1	1				413 1211-01 Drip guard
			1				413 1212-01 Drip guard
				1			413 1213-01 Drip guard
				1			413 1214-01 Drip guard
15	1						471 7711-14 Ribbed belt
		1					471 7711-15 Ribbed belt
		1					471 7711-09 Ribbed belt
			1				471 7711-10 Ribbed belt
				1			471 7705-05 Ribbed belt
				1			471 7705-06 Ribbed belt
16	1						413 2990-03 Cable set
		1	1				413 2990-04 Cable set
			1				413 2990-05 Cable set
				1	1		432 2991-02 Cable set
17	1	1	1	1	1	1	438 9799-02 Clamp
18	1	1	1				413 3272-10 Cable set
			1				413 3272-16 Cable set
				1	1		413 3272-26 Cable set



**W485S Compass,W4105S Compass,W4130S Compass,W4180S Compass,W4250S Compass,W4330S Compass**

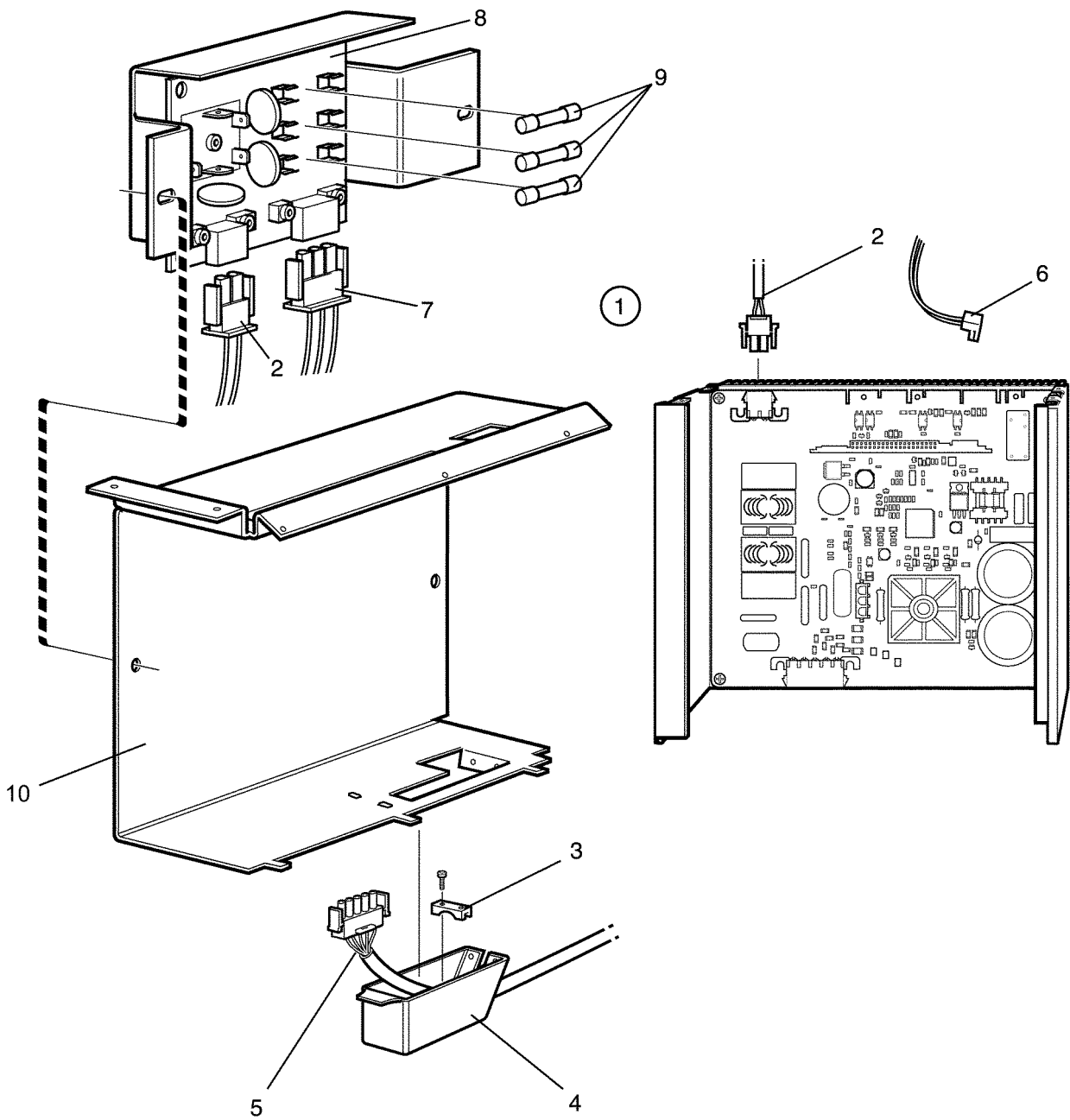
**Motor control**

Illustration Issue Month Year  
Illustration Utgåva Månad År

**Motorstyrning**

**102491/1 5 3 2013**

Item Pos.	Quantity Antal	Art.No Art.nr	Description	Benämning	Info Info	Notes Anmärkning	
1	1		W485S Compass				
		1	W4105S Compass				
			W4130S Compass				
			W4180S Compass				
			W4250S Compass				
			W4330S Compass				
			472 9929-14	Motor control	Motorstyrning	1	200-240V - 520/999999, -521/410565
		1	472 9929-14	Motor control	Motorstyrning	1	200-240V - 595/999999, -521/410566
		1	472 9929-31	Motor control unit	Motorstyrningsenhet	1	200-240V 521/410566-
		1	472 9929-31	Motor control unit	Motorstyrningsenhet	1	200-240V 521/410566-
		1	472 9929-13	Motor control	Motorstyrning	1	200-240V Japan - 520/999999, -521/410565
		1	472 9929-13	Motor control	Motorstyrning	1	200-240V Japan - 595/999999, -521/410566
		1	472 9929-32	Motor control unit	Motorstyrningsenhet	1	200-240V Japan 521/410566-
		1	472 9929-32	Motor control unit	Motorstyrningsenhet	1	200-240V Japan 521/410566-
	2		1	472 9929-01	Motor control	Motorstyrning	1
		1	472 9929-31	Motor control unit	Motorstyrningsenhet	1	200-240V 521/410566-
		1	472 9929-04	Motor control	Motorstyrning	1	200-240V Complete Japan -595/999999, -521/410566
		1	472 9929-32	Motor control unit	Motorstyrningsenhet	1	200-240V Japan 521/410566-
			1	472 9929-15	Motor control	1	200-240V -651/401613
			1	472 9929-41	Motor control unit	1	200-240V 651/401614-
			1	472 9929-20	Motor control	1	200-240V -651/401645
			1	472 9929-51	Motor control unit	1	200-240V 651/401646-
			1	472 9929-25	Motor control	1	200-240V
		1	1	413 2918-01	•Cable set	1	2-pole •Ledningssats
		1	1	413 2918-02	•Cable set	1	2-pole Trafo •Ledningssats
		1	1	413 2918-09	•Cable set	1	2-pole Japan •Ledningssats
			1	413 2918-03	•Cable set	1	2-pole •Ledningssats
			1	413 2918-04	•Cable set	1	2-pole Trafo •Ledningssats
			1	413 2918-07	•Cable set	1	2-pole Japan •Ledningssats
		1	413 2918-05	•Cable set	1	4-pole •Ledningssats	
		1	413 2918-06	•Cable set	1	4-pole Trafo •Ledningssats	
		1	413 2918-08	•Cable set	1	4-pole Japan •Ledningssats	
3	1	1	438 9799-12	Clamp	3		
4	1	1	438 9799-01	Cover	3		
5	1	1		Cable set	3	See motor	



**W485S Compass,W4105S Compass,W4130S Compass,W4180S Compass,W4250S Compass,W4330S Compass**

**Motor control**

Illustration Issue Month Year  
Illustration Utgåva Månad År

**Motorstyrning**

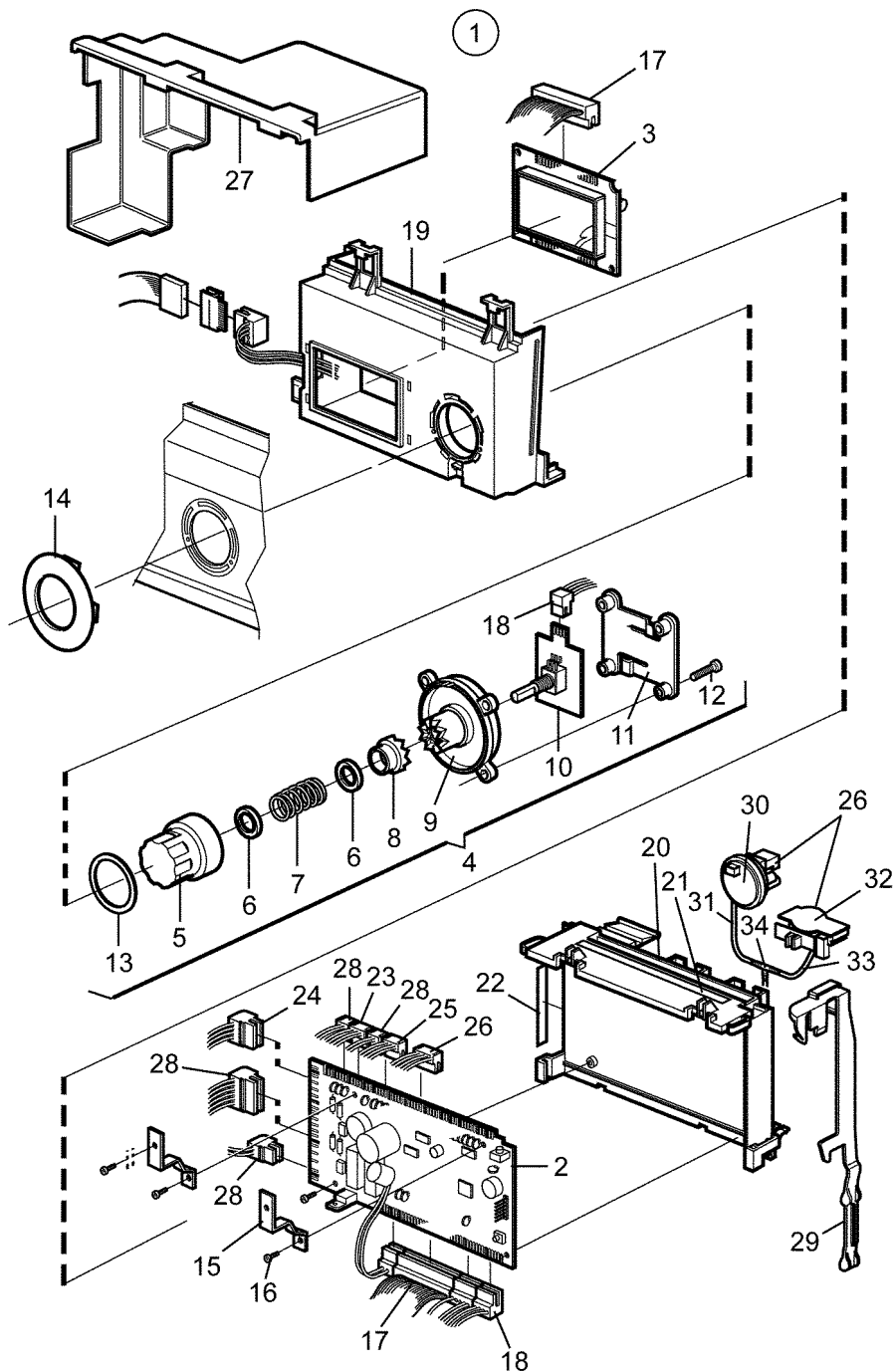
**102491/1 5 3 2013**

Item Pos.	Quantity Antal		Art.No Art.nr	Description	Benämning	Info Info	Notes Anmärkning
	W485S Compass						
	W4105S Compass						
	W4130S Compass						
	W4180S Compass						
	W4250S Compass						
	W4330S Compass						
<b>6</b>	1		<b>413 3084-26</b>	Cable set	Ledningssats	3	P-bus - X302
		1	<b>413 3084-10</b>	Cable set	Ledningssats	3	P-bus - X302
			<b>413 3084-27</b>	Cable set	Ledningssats	3	P-bus - X302
			<b>413 3084-21</b>	Cable set	Ledningssats	3	P-bus - X302
			<b>413 3084-23</b>	Cable set	Ledningssats	3	P-bus - X302
<b>7</b>	1	1	<b>432 2961-01</b>	Cable set	Ledningssats	1,2	3AC Japan
			<b>432 2925-01</b>	Cable set	Ledningssats	3	
<b>8</b>	1	1	<b>438 8774-02</b>	Printed circuit board	Kretskort	3	
<b>9</b>	3	3	<b>471 8768-02</b>	Fuse	Säkring	1,2	15A
<b>10</b>	1	1	<b>472 9938-01</b>	Cover	Skydd	3	
			<b>472 9938-02</b>	Cover	Skydd	3	
			<b>472 9938-03</b>	Cover	Skydd	3	



W465H  
 Product no.: 9867610073  
 Serial no.: 00520 / 0126722  
 PC: 0327664 13 9909 Writing olog: 43232004409  
 Program: **418XXXXXX** 3403  
 ELECTROLUX LAUNDRY SYSTEMS SWEDEN AB

Program: **418XXXXXX**  
 W3 W055116



Issue	Month	Year
01	02	10

**W485S Compass,W4105S Compass,W4130S Compass,W4180S Compass,W4250S Compass,W4330S Compass**

**Programmer**

Illustration Issue Month Year  
Illustration Utgåva Månad År

**Programverk**

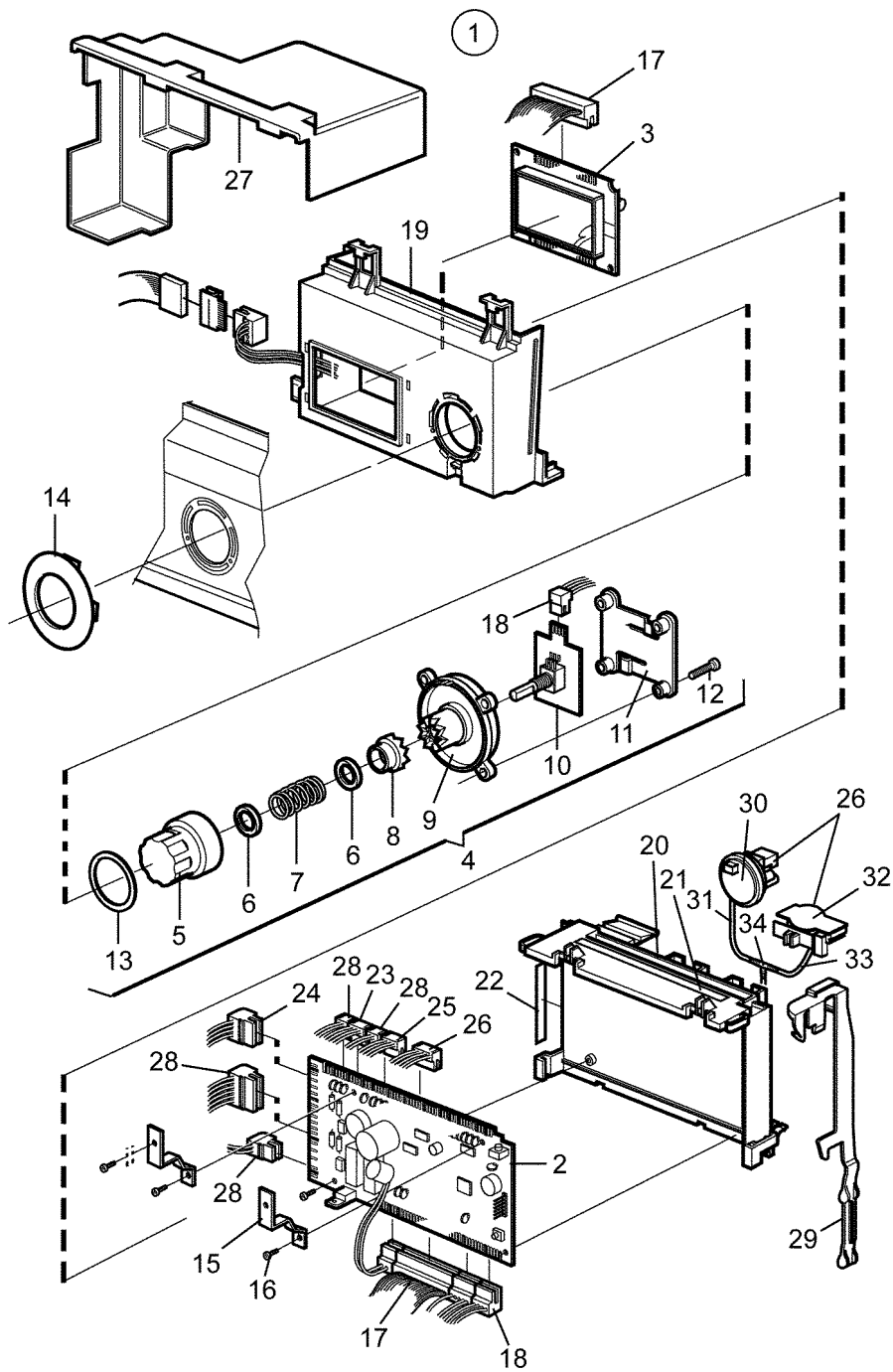
**102679 3 3 2012**

Item Pos.	Quantity Antal							Art.No Art.nr	Description	Benämning	Info Info	Notes Anmärkning
	W485S Compass											
	W4105S Compass											
	W4130S Compass											
	W4180S Compass											
	W4250S Compass											
	W4330S Compass											
1	1	1	1	1	1	1	1	432 6902-04	Programmer	Programverk	1,2	Without software. Software available on website
	1	1	1	1	1	1	1	432 6902-06	Programmer	Programverk	1,2	Japan Without software. Software available on website
2	1	1	1	1	1	1	1		•Printed circuit board	•Kretskort		
3	1	1	1	1	1	1	1	432 8702-03	•Display	•Display	1,2	
4	1	1	1	1	1	1	1		•Program selector	•Programväljare	1,2	
5	1	1	1	1	1	1	1		••Knob	••Vred		
6	2	2	2	2	2	2	2		••Rubber cushion	••Gummibricka		
7	1	1	1	1	1	1	1		••Spring	••Fjäder		
8	1	1	1	1	1	1	1		••Sleeve	••Hylsa		
9	1	1	1	1	1	1	1		••Cover	••Lock		
10	1	1	1	1	1	1	1	438 9659-01	••Program selector	••Programväljare	1,2	
11	1	1	1	1	1	1	1		••Spring	••Fjäder		
12	4	4	4	4	4	4	4	471 8346-09	••Screw	••Skruv	3	T40x30
13	1	1	1	1	1	1	1		••Ring	••Ring		
14	1	1	1	1	1	1	1	432 6344-02	•Cover	•Lock	3	
15	2	2	2	2	2	2	2	432 6327-01	•Bracket	•Hållare	3	
16	2	2	2	2	2	2	2	471 8346-02	•Screw	•Skruv	3	
17	1	1	1	1	1	1	1	413 3280-01	•Cable set	•Ledningssats	3	20-pole
18	1	1	1	1	1	1	1	413 3274-20	•Cable set	•Ledningssats	3	4-pole
19	1	1	1	1	1	1	1	432 6325-01	•Cover	•Kåpa	3	Front
20	1	1	1	1	1	1	1	432 6324-01	•Cover	•Kåpa	3	Rear
21	1	1	1	1	1	1	1	471 4673-95	•Sign	•Skylt	3	
22	1	1	1	1	1	1	1	471 4673-97	Sign	Skylt	3	
23	1							413 3274-17	Cable set	Ledningssats	3	D-bus
		1						413 3274-08	Cable set	Ledningssats	3	D-bus
			1					413 3274-18	Cable set	Ledningssats	3	D-bus
				1				413 3274-05	Cable set	Ledningssats	3	D-bus
					1			413 3274-06	Cable set	Ledningssats	3	D-bus
						1		413 3274-07	Cable set	Ledningssats	3	D-bus
24	1							413 3084-09	Cable set	Ledningssats	3	P-bus
		1						413 3084-17	Cable set	Ledningssats	3	P-bus
			1					413 3084-18	Cable set	Ledningssats	3	P-bus
				1				413 3084-16	Cable set	Ledningssats	3	P-bus
					1			413 3084-18	Cable set	Ledningssats	3	P-bus
						1		413 3084-19	Cable set	Ledningssats	3	P-bus
25	1	1	1					413 3274-21	Cable set	Ledningssats	3	M-COM
				1				413 3274-13	Cable set	Ledningssats	3	M-COM
					1			413 3274-14	Cable set	Ledningssats	3	M-COM
						1		413 3274-15	Cable set	Ledningssats	3	M-COM
26	1	1	1	1	1	1	1	413 3275-02	Cable set	Ledningssats	3	Level control
27	1	1	1	1	1	1	1	432 6326-01	Cover	Skydd	3	
28	1							432 2905-07	Cable set	Ledningssats	3	
		1	1					432 2905-08	Cable set	Ledningssats	3	Door/Temp. /Tacho.
				1				432 2905-10	Cable set	Ledningssats	3	Door/Temp. /Tacho.



W465H  
 Product no.: 9867610073  
 Serial no.: 00520 / 0126722  
 PC: 0327664 13 9909 Writing olog: 43232004409  
 Program: **418XXXXXX** 3403  
 ELECTROLUX LAUNDRY SYSTEMS SWEDEN AB

Program: **418XXXXXX**  
 W3 W055116



Issue	Month	Year
01	02	10



**W485S Compass,W4105S Compass,W4130S Compass,W4180S Compass,W4250S Compass,W4330S Compass**

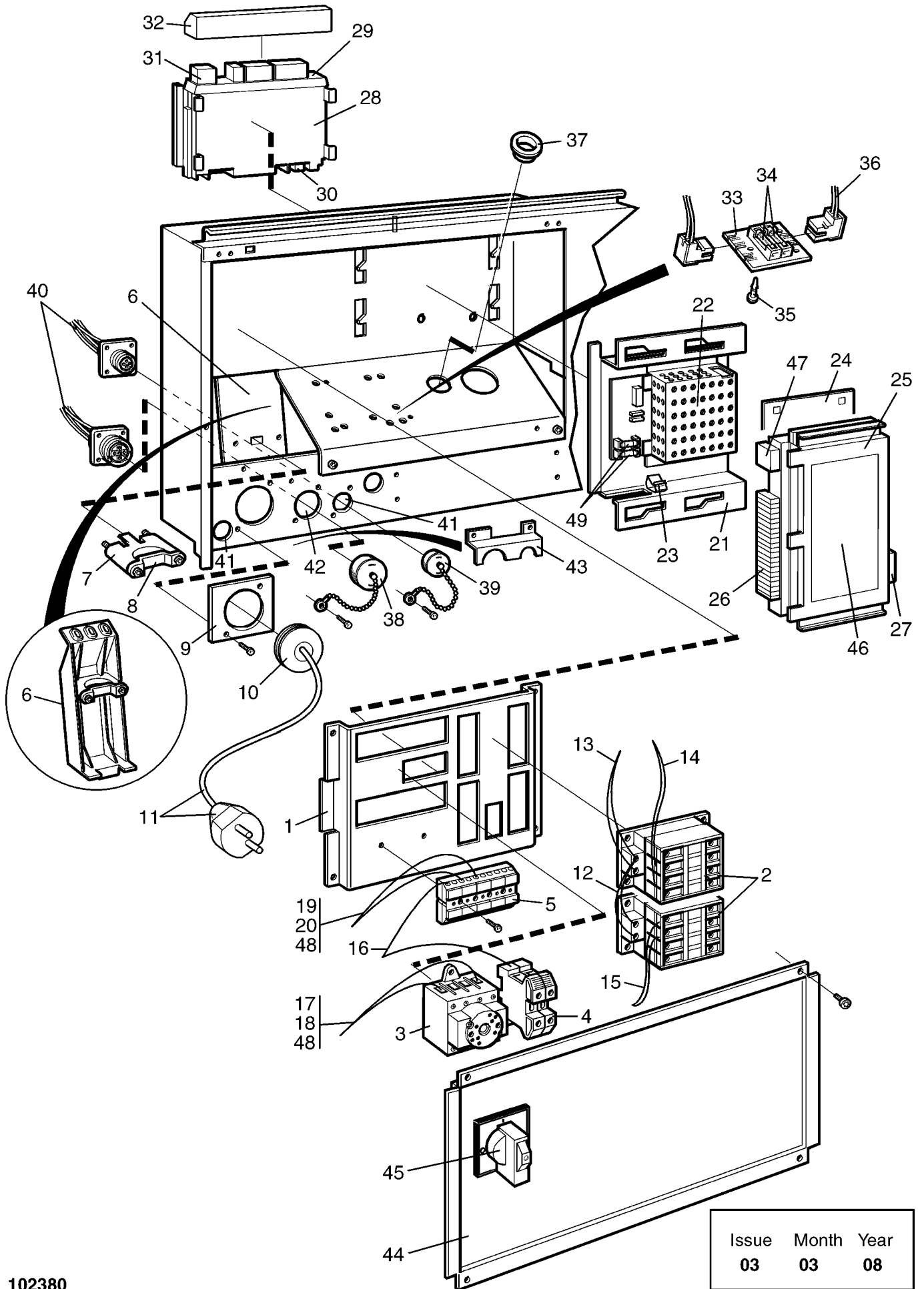
**Programmer**

Illustration Issue Month Year  
Illustration Utgåva Månad År

**Programverk**

**102679 3 3 2012**

Item Pos.	Quantity Antal							Art.No Art.nr	Description	Benämning	Info Info	Notes Anmärkning
	W485S Compass											
	W4105S Compass											
	W4130S Compass											
	W4180S Compass											
	W4250S Compass											
	W4330S Compass											
						1	<b>432 2905-12</b>	Cable set	Ledningssats	3	Door/Temp./Tacho.	
						1	<b>432 2905-14</b>	Cable set	Ledningssats	3	Door/Temp./Tacho.	
<b>29</b>	1	1	1	1	1	1	<b>432 6345-01</b>	Arm	Arm	3		
<b>30</b>	1	1	1	1	1	1	<b>471 8861-01</b>	Level guard	Nivåvakt	1,2		
<b>31</b>	1	1	1	1	1	1	<b>471 2442-41</b>	Hose	Slang	1	L=70	
<b>32</b>	1	1	1	1	1	1	<b>471 8863-01</b>	Level guard	Nivåvakt	1,2		
<b>33</b>	1	1	1	1	1	1	<b>438 2440-02</b>	Hose	Slang	1	L=100	
<b>34</b>	1	1	1	1	1	1	<b>471 2265-69</b>	T-pipe	T-rör	3		



Issue	Month	Year
03	03	08

**W485S Compass,W4105S Compass,W4130S Compass,W4180S Compass,W4250S Compass,W4330S Compass**

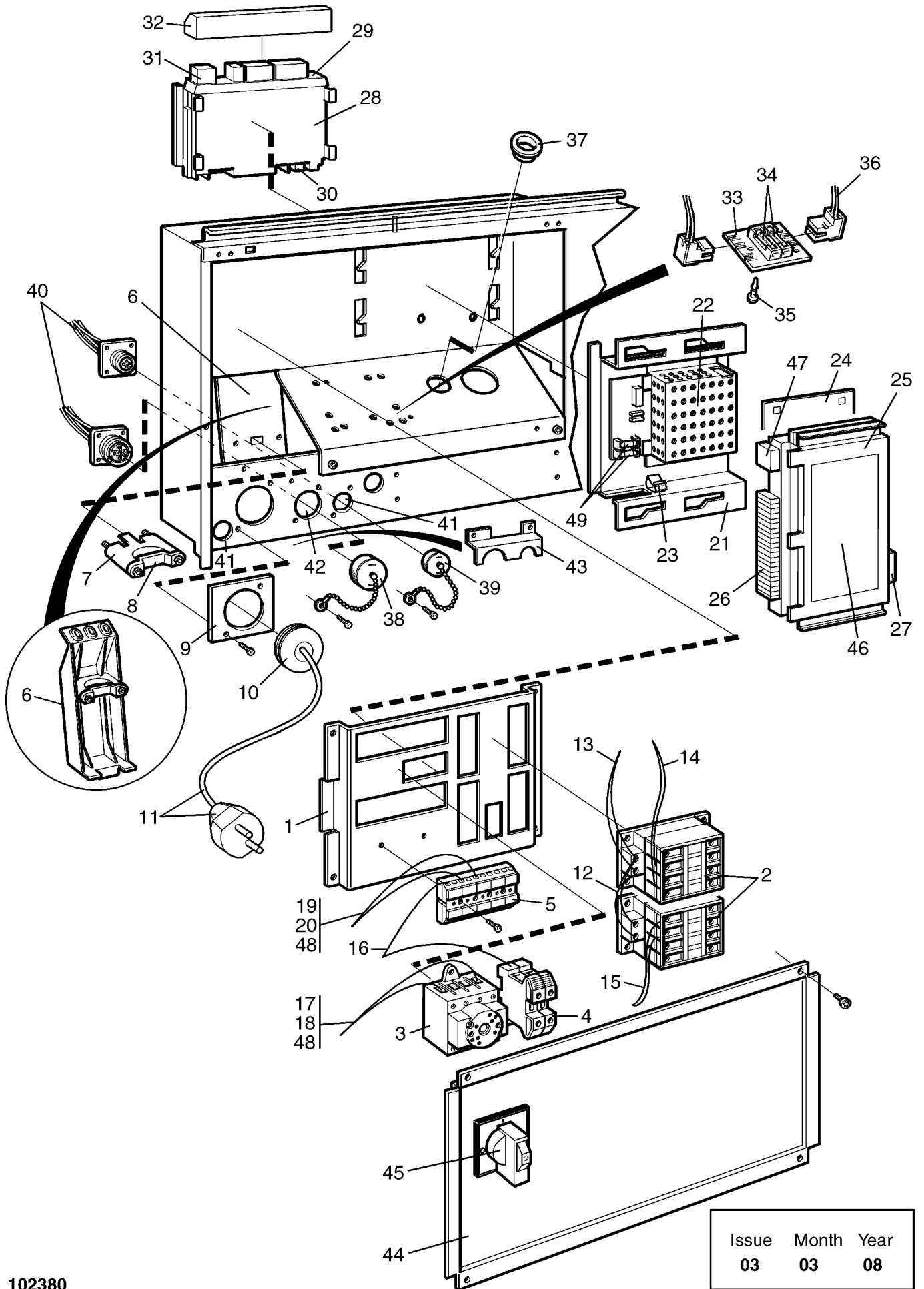
**Electric components connection**

Illustration Issue Month Year  
Illustration Utgåva Månad År

**Eldetaljer anslutning**

**102380/1 4 6 2012**

Item Pos.	Quantity Antal							Art.No Art.nr	Description	Benämning	Info Info	Notes Anmärkning
	W485S Compass											
	W4105S Compass											
	W4130S Compass											
	W4180S Compass											
	W4250S Compass											
	W4330S Compass											
1	1	1	1	1	1	1	1	432 2154-01	Mounting plate	Monteringsplåt	3	
2	1	Rq	Rq	Rq	Rq	Rq	Rq	438 9636-22	Contactora	Kontaktor	1,2	50Hz
	1	Rq	Rq	Rq	Rq	Rq	Rq	438 9636-23	Contactora	Kontaktor	1,2	60Hz
	1	Rq	Rq	Rq	Rq	Rq	Rq	438 9636-24	Contactora	Kontaktor	1,2	50/60Hz
							Rq	438 9636-92	Contactora	Kontaktor	1,2	50Hz
							Rq	438 9636-93	Contactora	Kontaktor	1,2	60Hz
							Rq	438 9636-94	Contactora	Kontaktor	1,2	50/60Hz
3	Rq	Rq	Rq	Rq	Rq	Rq	Rq	438 9678-01	Main switch	Huvudbrytare	1	3-pole, 32A
	Rq	Rq	Rq	Rq	Rq	Rq	Rq	438 9678-02	Main switch	Huvudbrytare	1	3-pole, 40A
	Rq	Rq	Rq	Rq	Rq	Rq	Rq	438 9678-03	Main switch	Huvudbrytare	1	3-pole, 63A
	Rq	Rq	Rq	Rq	Rq	Rq	Rq	438 9678-04	Main switch	Huvudbrytare	1	3-pole, 80A
	Rq	Rq	Rq	Rq	Rq	Rq	Rq	438 9678-11	Main switch	Huvudbrytare	1	4-pole, 32A
	Rq	Rq	Rq	Rq	Rq	Rq	Rq	438 9678-12	Main switch	Huvudbrytare	1	4-pole, 40A
	Rq	Rq	Rq	Rq	Rq	Rq	Rq	438 9678-13	Main switch	Huvudbrytare	1	4-pole, 63A
	Rq	Rq	Rq	Rq	Rq	Rq	Rq	438 9678-14	Main switch	Huvudbrytare	1	4-pole, 80A
4	2	2	2	2	2	2	2	471 8767-01	Block	Plint	3	SL10
	2	2	2	2	2	2	2	471 8767-02	Block	Plint	3	SL16
5	1	1	1	1	1	1	1	471 8783-01	Block	Plint	3	5-pole
	1	1	1	1	1	1	1	471 8783-03	Block	Plint	3	3-pole
	1	1	1	1	1	1	1	471 8783-04	Block	Plint	3	4-pole
6	1	1	1	1	1	1	1	432 2258-01	Plate	Plåt	3	
7	1	1	1	1	1	1	1	471 7859-12	Clamp	Klämma	3	Lower part
8	1	1	1	1	1	1	1	471 7859-16	Clamp	Klämma	3	Upper part
9	1	1	1	1	1	1	1	432 2199-01	Plate	Plåt	3	Ø21
	1	1	1	1	1	1	1	432 2199-03	Plate	Plåt	3	Ø26
	1	1	1	1	1	1	1	432 2199-05	Plate	Plåt	3	Ø33
10	1	1	1	1	1	1	1	438 8720-01	Grommet	Genomföring	3	M25
	1	1	1	1	1	1	1	438 8720-02	Grommet	Genomföring	3	M32
	1	1	1	1	1	1	1	438 8720-03	Grommet	Kabelgenomföring	3	M40
11	1	1	1	1	1	1	1	487 1702-45	Cable	Kabel	3	
12	-											Not used
		1	1	1	1	1	1	432 2984-01	Cable set	Ledningssats	3	
13	1	1	1	1	1	1	1	413 3182-02	Cable set	Ledningssats	3	Heating
	1	1	1	1	1	1	1	413 2915-02	Cable set	Ledningssats	3	MOP Heating MOP
14	3	3	3	3	3	3	3	432 2954-03	Cable set	Ledningssats	3	
15	-											Not used
		1	1	1	1	1	1	432 2954-13	Cable set	Ledningssats	3	
							1	432 2954-14	Cable set	Ledningssats	3	MOP
16	1	1	1	1	1	1	1	432 2983-03	Cable set	Ledningssats	3	
							1	432 2983-04	Cable set	Ledningssats	3	
17	1	1	1	1	1	1	1	432 3092-86	Cable set	Ledningssats	3	
18	1	1	1	1	1	1	1	432 3106-01	Cable set	Ledningssats	3	Trafo
19	1	1	1	1	1	1	1	413 3082-35	Cable set	Ledningssats	3	
20	1	1	1	1	1	1	1	413 2905-02	Cable set	Ledningssats	3	Trafo Trafo
21	1	1	1	1	1	1	1	432 2257-01	Mounting plate	Monteringsplåt	3	
22	1	1	1	1	1	1	1	432 6805-06	Power supply unit	Strömförsörjningsenhet	1,2	
23	1	1	1	1	1	1	1	432 6320-01	Clamp	Klamma	3	
24	1	1	1	1	1	1	1	432 2256-01	Plate	Plåt	3	
25	1	1	1	1	1	1	1	432 6930-03	I/O module	I/O modul	1,2	Type 2
26	Rq	Rq	Rq	Rq	Rq	Rq	Rq	438 8701-01	Multistik	Kantanslutning	3	
	Rq	Rq	Rq	Rq	Rq	Rq	Rq	438 8701-03	Multistik	Kantanslutning	3	
27	1	1	1	1	1	1	1	413 3274-01	Cable set	Ledningssats	3	D-bus



Issue	Month	Year
03	03	08

**W485S Compass,W4105S Compass,W4130S Compass,W4180S Compass,W4250S Compass,W4330S Compass**

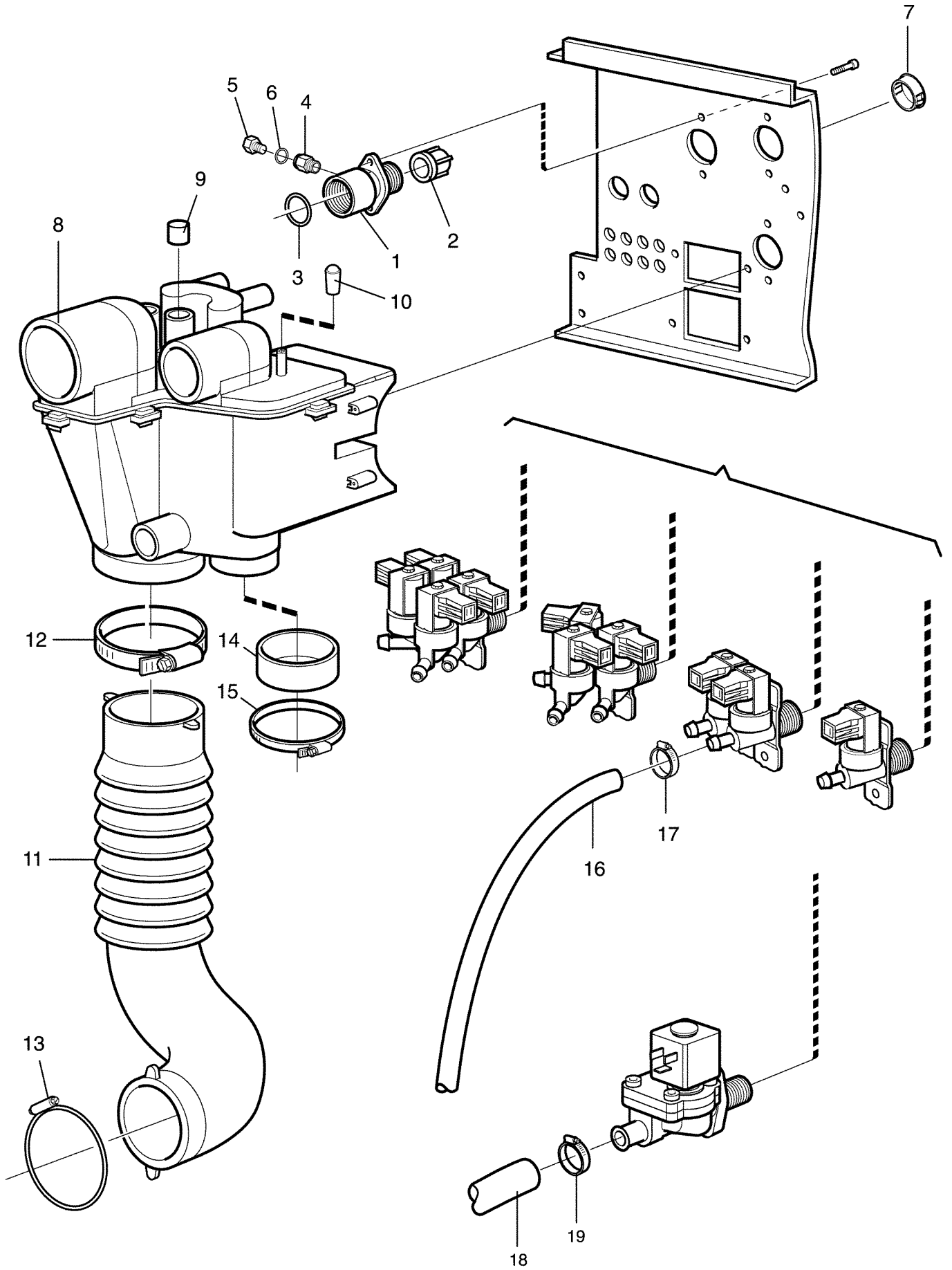
**Electric components connection**

Illustration Issue Month Year  
Illustration Utgåva Månad År

**Eldetaljer anslutning**

**102380/1 4 6 2012**

Item Pos.	Quantity Antal							Art.No Art.nr	Description	Benämning	Info Info	Notes Anmärkning
	W485S Compass											
	W4105S Compass											
	W4130S Compass											
	W4180S Compass											
	W4250S Compass											
	W4330S Compass											
28	1	1	1	1	1	1	432 6903-02	I/O module	I/O modul	1,2	Type 11	
	1	1	1	1	1	1	432 6933-02	Printed circuit board	Kretskort	1,2	I/O-card type 3	
29								Sign	Skylt	3		
30	1	1	1	1	1	1	413 3274-03	Cable set	Ledningssats	3	4-pole	
31	1	1	1	1	1	1	413 3084-25	Cable set	Ledningssats	3	4-pole	
32	1	1	1	1	1	1	432 6323-01	Cover	Skydd	3		
33	1	1	1	1	1	1	438 8797-02	Printed circuit board	Kretskort	1,2		
34	2	2	2	2	2	2	471 8750-11	•Fuse	•Säkring	1,2	1,25A	
35	3	3	3	3	3	3	471 7960-02	Support	Stöd	3		
36	1	1	1	1	1	1	413 3082-05	Cable set	Ledningssats	3		
37	1	1	1	1	1	1	762 1182-10	Grommet	Genomföring	3	Ø22,2MM	
38	1	1	1	1	1	1	438 7950-02	Cover washer	Täckbricka	3	14-pole	
39	1	1	1	1	1	1	438 7950-01	Cover washer	Täckbricka	3	4-pole	
40	1	1	1	1	1	1	413 2946-01	Cable set	Ledningssats	3		
41	2	2	2	2	2	2	471 7977-03	Cover plug	Täckpropp	3		
42	1	1	1	1	1	1	471 7977-04	Cover plug	Täckpropp	3		
43	1	1	1	1	1	1	432 1220-01	Cover	Skydd	3		
44	1	1	1	1	1	1	432 3604-01	Cover	Lock	3	With hole	
	1	1	1	1	1	1	432 3604-02	Cover	Lock	3	Without hole	
45	1	1	1	1	1	1	471 9678-94	Knob	Vred	1		
46	1	1	1	1	1	1	471 4673-93	Sign	Skylt	3	I/O-card type 2	
47	1	1	1	1	1	1	413 3084-02	Cable set	Ledningssats	3	4-pole P-bus	
48	1	1	1				413 2909-01	Cable set	Ledningssats	3	Trafo-EWD900	
				1			432 3075-01	Cable set	Ledningssats	3	Trafo-EWD1300	
					1	1	432 3076-01	Cable set	Ledningssats	3	Trafo-EWD2300	
49	2	2	2	2	2	2	471 8750-16	Fuse	Säkring	1,2	3,15A	



**W485S Compass,W4105S Compass,W4130S Compass,W4180S Compass,W4250S Compass,W4330S Compass**

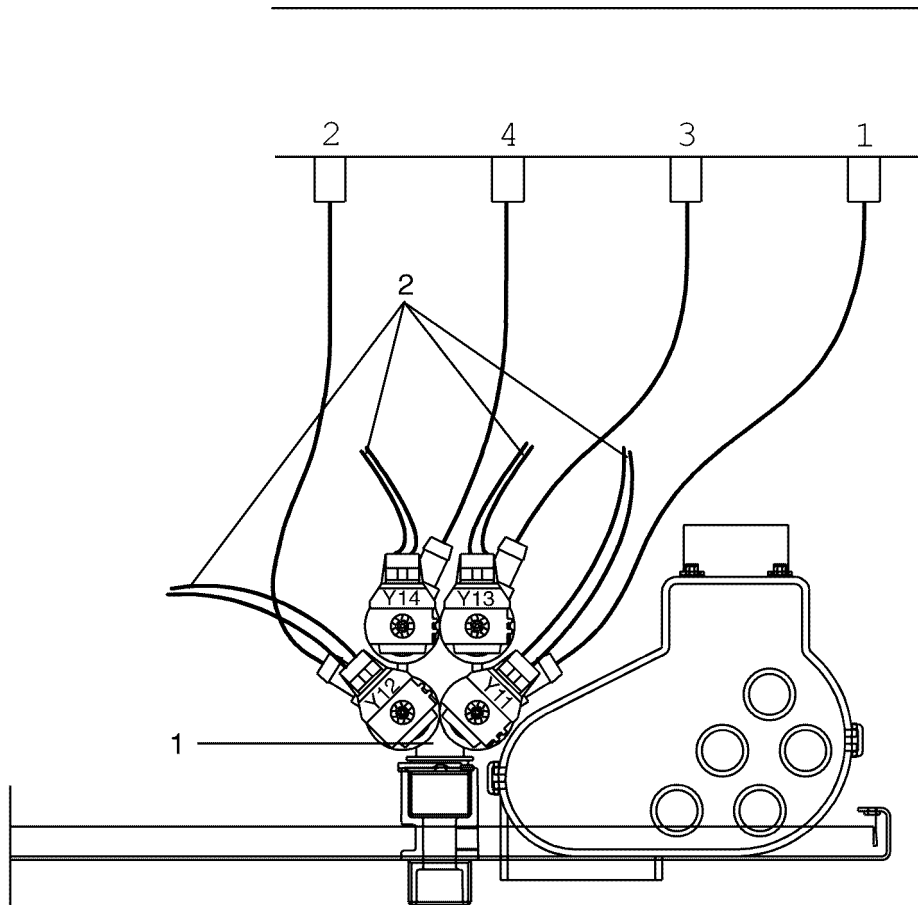
**Water connections**

Illustration Issue Month Year  
Illustration Utgåva Månad År

**Vattenanslutningar**

**102316/1 3 4 2013**

Item Pos.	Quantity Antal							Art.No Art.nr	Description	Benämning	Info Info	Notes Anmärkning
	W485S Compass											
	W4105S Compass											
	W4130S Compass											
	W4180S Compass											
	W4250S Compass											
	W4330S Compass											
1	1	1	1	1	1	1	1	438 0056-03	Nipple	Nippel	3	Black, 3/4"
	1	1	1	1	1	1	1	438 0056-04	Nipple	Nippel	3	White, 3/4", USA
2	1	1	1	Rq	Rq	Rq		471 8693-21	Filter	Filter	3	
3	1	1	1	1	1	1	1	471 8199-01	Gasket	Packning	3	
4	1	1	1	1	1	1	1	471 8688-13	Nipple	Nippel	3	1/8"
5	1	1	1	1	1	1	1	741 5109-25	Plug	Propp	3	El-drain
6	1	1	1	1	1	1	1	740 4206-00	O-ring	O-ring	3	El-drain
7	Rq	Rq	Rq	Rq	Rq	Rq		471 7977-04	Cover plug	Täckpropp	3	
8	1							432 2301-01	Siphon breaker	Återsugningsskydd	3	-520/999999, -521/422903
	1							432 2320-01	Siphon breaker	Återsugningsskydd	3	521/422904-
		1						432 2301-01	Siphon breaker	Återsugningsskydd	3	-595/999999, -521/422903
			1					432 2320-01	Siphon breaker	Återsugningsskydd	3	521/422904-
				1				432 2301-01	Siphon breaker	Återsugningsskydd	3	-595/999999, -521/422903
					1			432 2320-01	Siphon breaker	Återsugningsskydd	3	521/422904-
						1		432 2301-01	Siphon breaker	Återsugningsskydd	3	-650/999999, -651/412956
							1	432 2320-01	Siphon breaker	Återsugningsskydd	3	651/412957-
							1	432 2301-01	Siphon breaker	Återsugningsskydd	3	-725/999999, -651/412956
							1	432 2320-01	Siphon breaker	Återsugningsskydd	3	651/412957-
							1	432 2301-01	Siphon breaker	Återsugningsskydd	3	-795/999999, -651/412956
9	Rq	Rq	Rq	Rq	Rq	Rq		432 2320-01	Siphon breaker	Återsugningsskydd	3	651/412957-
10	1	1	1	1	1	1	1	471 8175-01	Plug	Plugg	3	
11	1	1	1					471 8644-02	Plug	Propp	3	
								432 2305-01	Hose	Slang	1	
				1	1	1		432 2306-01	Hose	Slang	1	
12	1	1	1	1	1	1	1	736 2846-51	Hose clamp	Slangklämma	3	Ø73-83
13	1	1	1					471 7871-08	Hose clamp	Slangklämma	3	
				1	1	1		471 7871-04	Hose clamp	Slangklämma	3	
14	1	1	1					471 2409-89	Hood	Huv	3	Pump
15	1	1	1					736 2837-51	Hose clamp	Slangklämma	3	Not used Ø48-54 Pump
16	Rq	Rq	Rq	Rq	Rq	Rq		877 5211-08	Hose	Slang	1	Per 1 m
17	Rq	Rq	Rq	Rq	Rq	Rq		736 2816-51	Hose clamp	Slangklämma	3	Ø13-19
18	-	-	-					432 2308-01	Hose	Slang	1	Not used
19	-	-	-	Rq	Rq	Rq		736 2825-51	Hose clamp	Slangklämma	3	Not used Ø32





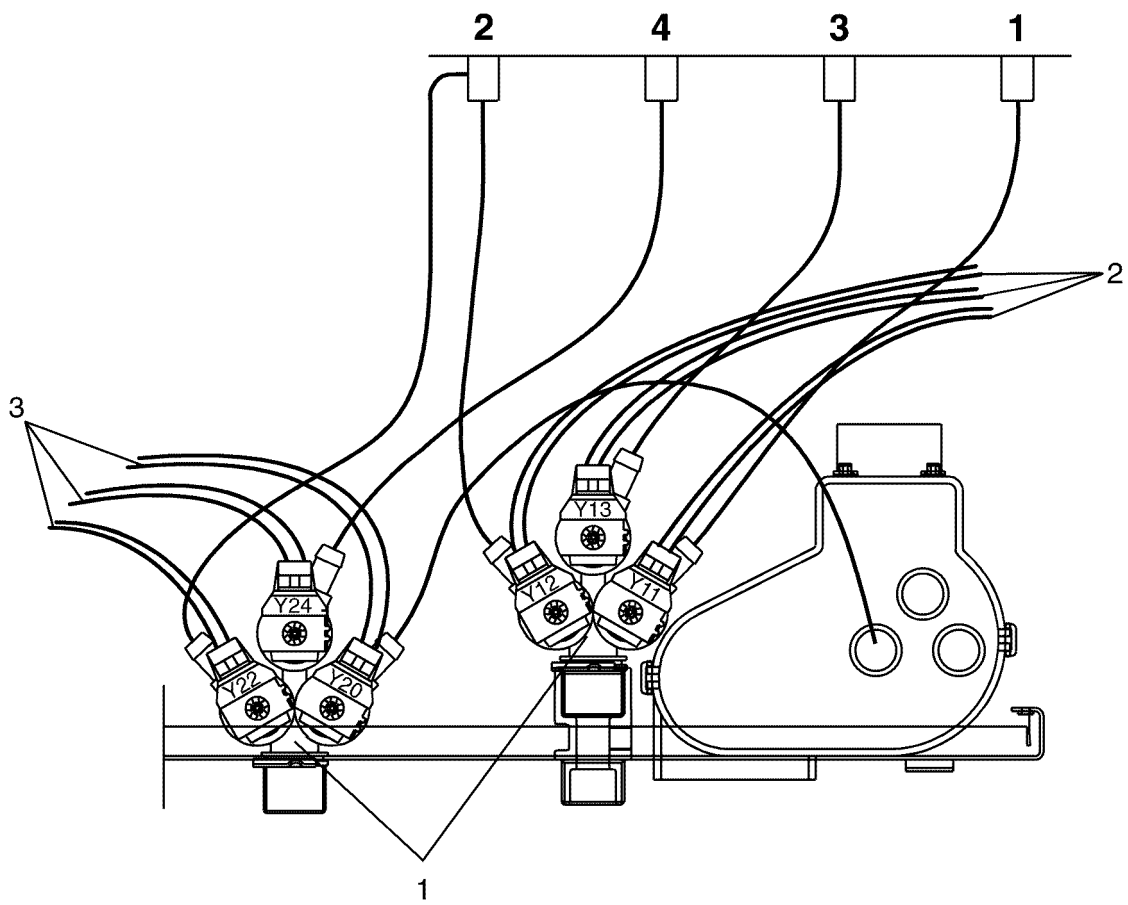
**W485S Compass,W4105S Compass**

**Inlet valves and cable set**

**Inloppsventiler och ledningssatser**

Illustration	Issue	Month	Year
Illustration	Utgåva	Månad	År
<b>102481/1</b>	<b>2</b>	<b>11</b>	<b>2009</b>

Item Pos.	Quantity Antal	Art.No Art.nr	Description	Benämning	Info Info	Notes Anmärkning
			W485S Compass			
			W4105S Compass			
1	1	471 8240-63	Valve	Ventil	1,2	4-way, 208-240V 50/60Hz, BSP
2	1	413 3088-07	Cable set	Ledningssats	3	
	1	413 3088-07	Cable set	Ledningssats	3	



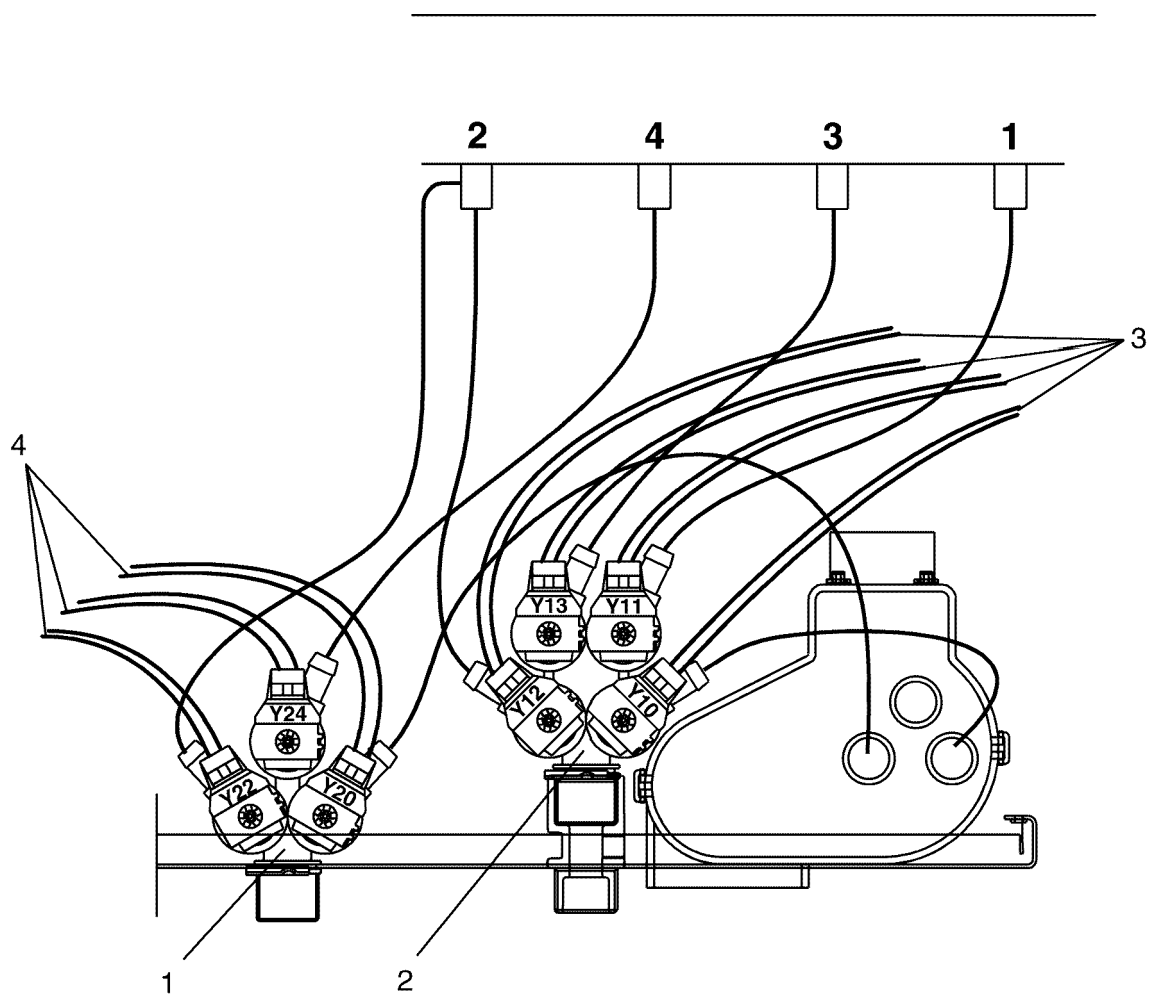
**W485S Compass,W4105S Compass,W4130S Compass,W4180S Compass**

**Inlet valves and cable set**

Illustration Issue Month Year  
Illustration Utgåva Månad År  
**102482/1 2 11 2009**

**Inloppsventiler och ledningssatser**

Item Pos.	Quantity Antal	Art.No Art.nr	Description	Benämning	Info Info	Notes Anmärkning			
			W485S Compass						
			W4105S Compass						
			W4130S Compass						
			W4180S Compass						
1	2	2	2	2	471 8236-76	Valve	Ventil	1,2	3-way, 208-240V 50/60Hz, BSP
	2	2	2	2	471 8236-78	Valve	Ventil	1,2	3-way, 208-240V 50/60Hz, NH USA US
	2				471 8236-79	Valve	Ventil	1,2	3-way, 120V 60Hz, NH USA US
2	1				413 3086-07	Cable set	Ledningssats	3	Cold
		1	1		413 3086-07	Cable set	Ledningssats	3	Cold
				1	413 3086-09	Cable set	Ledningssats	3	Cold
3	1				413 3086-08	Cable set	Ledningssats	3	Hot
		1	1		413 3086-08	Cable set	Ledningssats	3	Hot
				1	413 3086-10	Cable set	Ledningssats	3	Hot



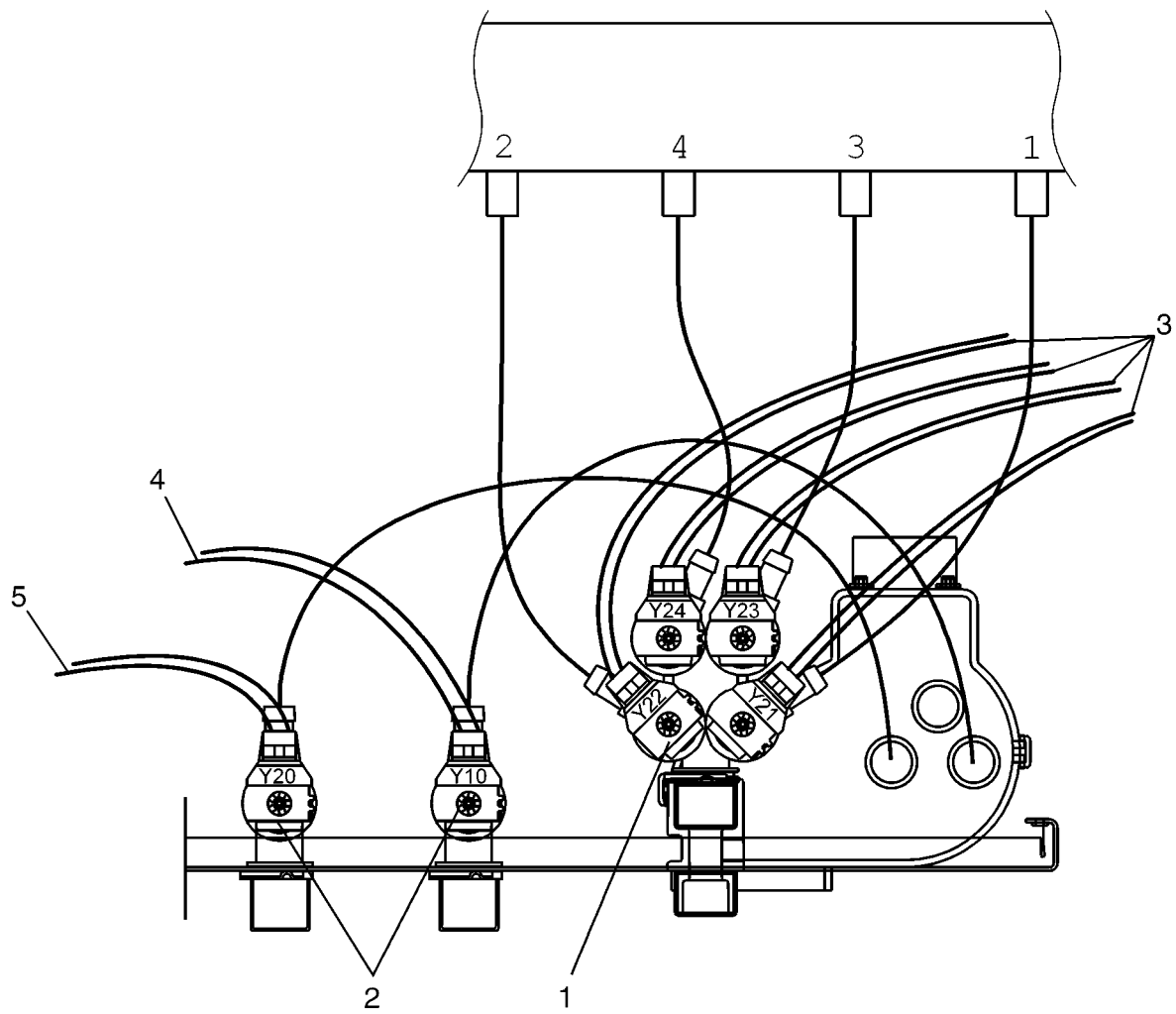
**W485S Compass,W4105S Compass,W4130S Compass,W4180S Compass**

**Inlet valves and cable set**

Illustration Issue Month Year  
Illustration Utgåva Månad År  
**102483/1 2 11 2009**

**Inloppsventiler och ledningssatser**

Item Pos.	Quantity Antal	Art.No Art.nr	Description	Benämning	Info Info	Notes Anmärkning			
			W485S Compass						
			W4105S Compass						
			W4130S Compass						
			W4180S Compass						
1	1	1	1	1	471 8236-76	Valve	Ventil	1,2	3-way, 208-240V 50/60Hz, BSP
	1	1	1	1	471 8236-78	Valve	Ventil	1,2	3-way, 208-240V 50/60Hz, NH USA US
	1				471 8236-79	Valve	Ventil	1,2	3-way, 120V 60Hz, NH USA US
2	1	1	1	1	471 8240-64	Valve	Ventil	1,2	4-way, 208-240V 50/60Hz, BSP
	1				471 8240-67	Valve	Ventil	1,2	4-way, 120V 60Hz, NH USA
	1	1	1	1	471 8240-68	Valve	Ventil	1,2	4-way, 208-240V 50/60Hz, NH USA US
3	1				413 3088-07	Cable set	Ledningssats	3	Cold
		1	1		413 3088-07	Cable set	Ledningssats	3	
				1	413 3088-10	Cable set	Ledningssats	3	
4	1				413 3086-08	Cable set	Ledningssats	3	Hot
		1	1		413 3086-08	Cable set	Ledningssats	3	
				1	413 3086-10	Cable set	Ledningssats	3	



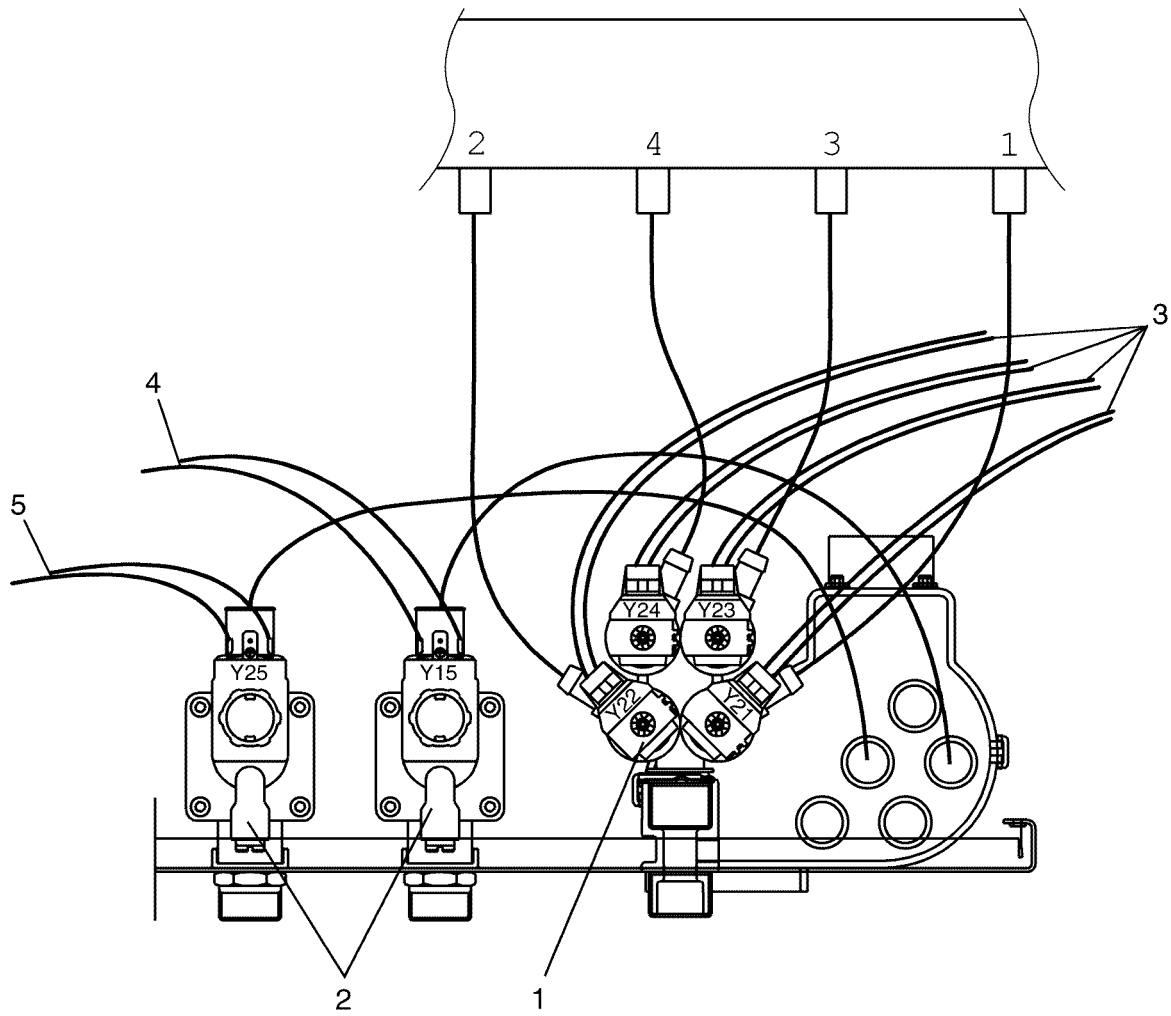
**W485S Compass,W4105S Compass,W4130S Compass,W4180S Compass**

**Inlet valves and cable set**

Illustration Issue Month Year  
Illustration Utgåva Månad År  
**102384/1 2 11 2009**

**Inloppsventiler och ledningssatser**

Item Pos.	Quantity Antal				Art.No Art.nr	Description	Benämning	Info Info	Notes Anmärkning
	W485S Compass								
	W4105S Compass								
	W4130S Compass								
	W4180S Compass								
1	1	1	1	1	471 8240-63	Valve	Ventil	1,2	4-way, 208-240V 50/60Hz, BSP
	1	1	1	1	471 8240-69	Valve	Ventil	1,2	4-way, 208-240V 50/60Hz, NH USA USA
2	2	2	2	2	471 8234-52	Valve	Ventil	1,2	1-way, 208-240V 50/60Hz, BSP
	2	2	2	2	471 8234-64	Valve	Ventil	1,2	1-way, 208-240V 50/60Hz, NH USA USA
3	1				413 3088-07	Cable set	Ledningssats	3	Cold
		1	1		413 3088-07	Cable set	Ledningssats	3	Cold
				1	413 3088-08	Cable set	Ledningssats	3	
4	1				413 3082-21	Cable set	Ledningssats	3	Cold
		1	1		413 3082-29	Cable set	Ledningssats	3	Cold
				1	413 3082-32	Cable set	Ledningssats	3	
5	1				413 3082-30	Cable set	Ledningssats	3	Hot
		1	1		413 3082-30	Cable set	Ledningssats	3	Hot
				1	413 3082-34	Cable set	Ledningssats	3	





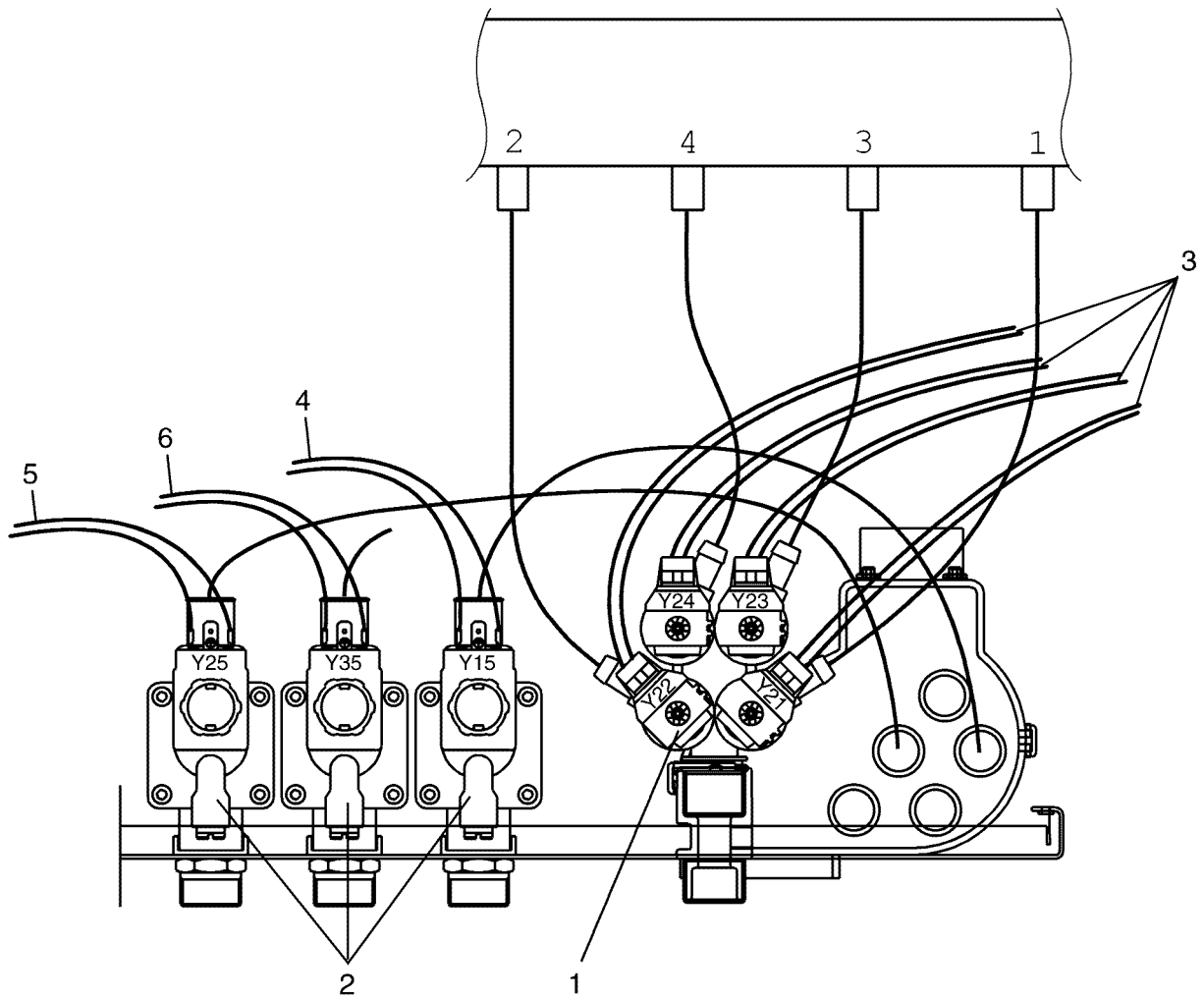
**W4180S Compass,W4250S Compass,W4330S Compass**

**Inlet valves and cable set**

Illustration Issue Month Year  
Illustration Utgåva Månad År  
**102383/1 2 11 2009**

**Inloppsventiler och ledningssatser**

Item Pos.	Quantity Antal	Art.No Art.nr	Description	Benämning	Info Info	Notes Anmärkning
			W4180S Compass			
			W4250S Compass			
			W4330S Compass			
1	1	1	1 471 8240-63 Valve	Ventil	1,2	4-way, 208-240V 50/60Hz, BSP
	1	1	1 471 8240-69 Valve	Ventil	1,2	4-way, 208-240V 50/60Hz, NH USA USA
2	2	2	2 471 8210-70 Valve	Ventil	1	208-240V 50/60Hz, BSP
	1	1	1 471 8210-79 •Coil	•Spole	1,2	50/60 Hz
	2	2	2 471 8210-71 Valve	Ventil	1	208-240V 60Hz, NH USA USA
	1	1	1 471 8210-78 •Coil	•Spole	1,2	60Hz
3	1		1 413 3088-08 Cable set	Ledningssats	3	
		1	1 413 3088-10 Cable set	Ledningssats	3	
		1	1 413 3088-10 Cable set	Ledningssats	3	
4	1		1 413 3182-09 Cable set	Ledningssats	3	
		1	1 413 3182-15 Cable set	Ledningssats	3	
		1	1 413 3182-15 Cable set	Ledningssats	3	
5	1		1 413 3182-10 Cable set	Ledningssats	3	
		1	1 413 3182-16 Cable set	Ledningssats	3	
		1	1 413 3182-16 Cable set	Ledningssats	3	



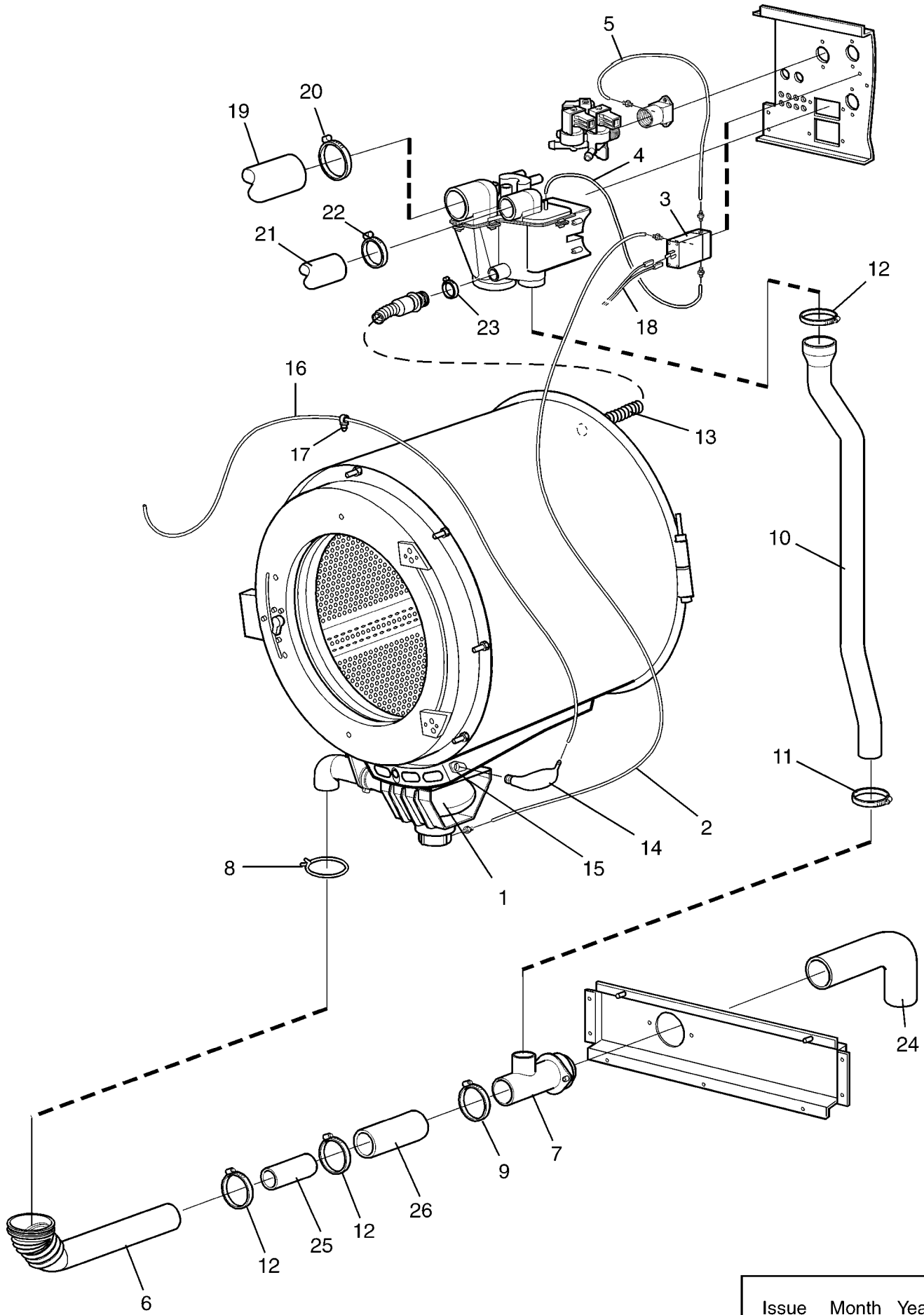
**W4180S Compass,W4250S Compass,W4330S Compass**

**Inlet valves and cable set**

Illustration Issue Month Year  
Illustration Utgåva Månad År  
**102385/1 2 11 2009**

**Inloppsventiler och ledningssatser**

Item Pos.	Quantity Antal	Art.No Art.nr	Description	Benämning	Info Info	Notes Anmärkning
			W4180S Compass			
			W4250S Compass			
			W4330S Compass			
1	1	1	1 471 8240-63 Valve	Ventil	1,2	4-way, 208-240V 50/60Hz, BSP
	1	1	1 471 8240-69 Valve	Ventil	1,2	4-way, 208-240V 50/60Hz, NH USA
2	3	3	3 471 8210-70 Valve	Ventil	1	208-240V 50/60Hz, BSP
	1	1	1 471 8210-79 •Coil	•Spole	1,2	50/60 Hz
	3	3	3 471 8210-71 Valve	Ventil	1	208-240V 60Hz, NH USA USA
	1	1	1 471 8210-78 •Coil	•Spole	1,2	60Hz
3	1		1 413 3088-08 Cable set	Ledningssats	3	
		1	1 413 3088-10 Cable set	Ledningssats	3	
		1	1 413 3088-10 Cable set	Ledningssats	3	
4	1		1 413 3182-09 Cable set	Ledningssats	3	
		1	1 413 3182-15 Cable set	Ledningssats	3	
		1	1 413 3182-15 Cable set	Ledningssats	3	
5	1		1 413 3182-10 Cable set	Ledningssats	3	
		1	1 413 3182-16 Cable set	Ledningssats	3	
		1	1 413 3182-16 Cable set	Ledningssats	3	
6	1		1 413 3182-11 Cable set	Ledningssats	3	
		1	1 413 3182-14 Cable set	Ledningssats	3	
		1	1 413 3182-17 Cable set	Ledningssats	3	



102503

Issue	Month	Year
01	01	07

**W485S Compass,W4105S Compass,W4130S Compass,W4180S Compass,W4250S Compass,W4330S Compass**

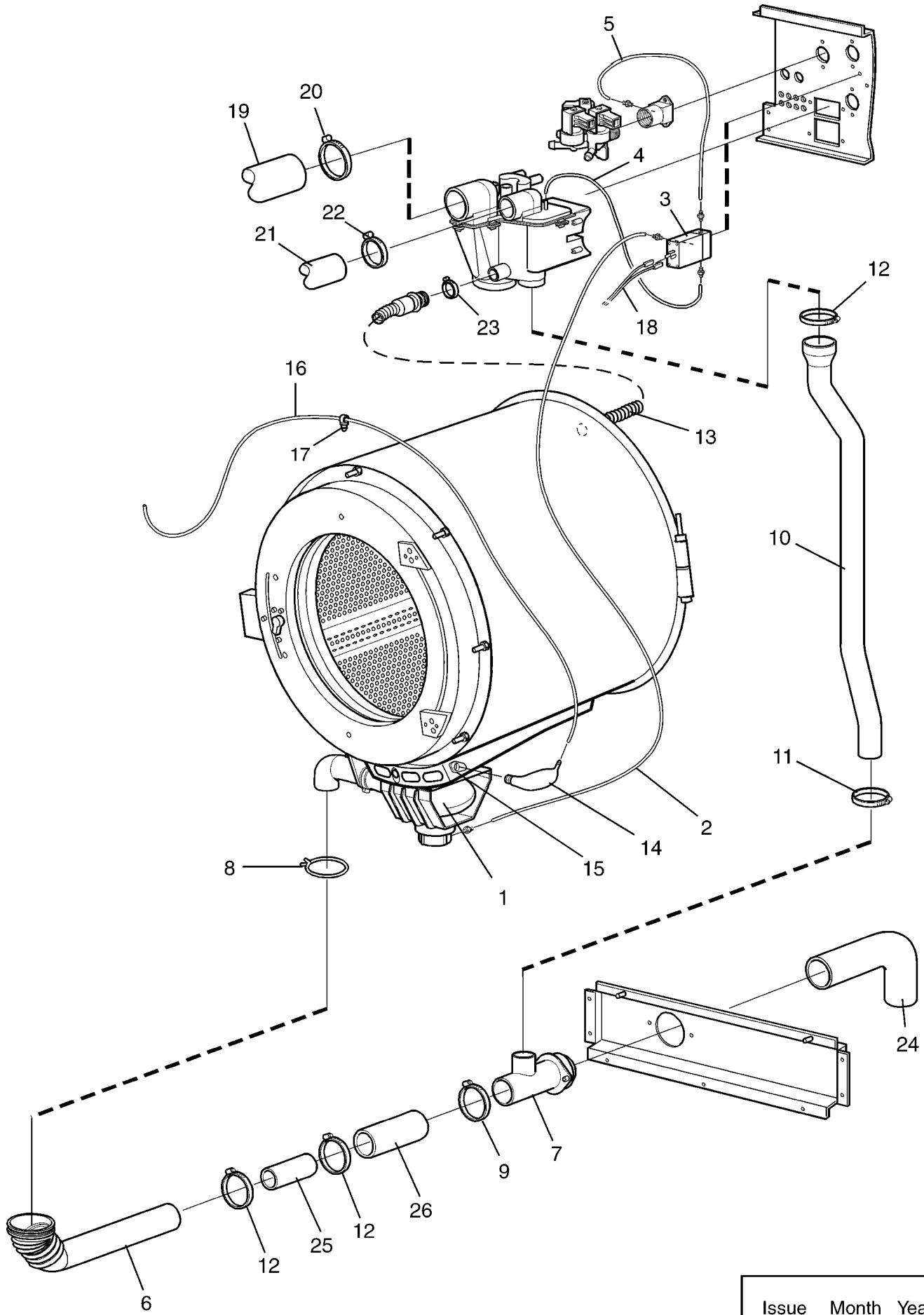
**Drain valve and hoses**

Illustration Issue Month Year  
Illustration Utgåva Månad År

**Avloppsventil och slangar**

**102503/1 4 3 2012**

Item Pos.	Quantity Antal							Art.No Art.nr	Description	Benämning	Info Info	Notes Anmärkning
	W485S Compass											
	W4105S Compass											
	W4130S Compass											
	W4180S Compass											
	W4250S Compass											
	W4330S Compass											
1	1	1	1	1	1	1	1	432 2502-01	Drain valve	Avloppsventil	1,2	
2	1	1	1					471 8139-11	Hose	Slang	1	L=1900
				1				471 8139-15	Hose	Slang	1	L=2100
					1	1		471 8139-16	Hose	Slang	1	L=2250
3	1	1	1	1	1	1	1	471 8243-07	Solenoid valve	Magnetventil	1,2	230V 50Hz
	1	1	1	1	1	1	1	471 8243-08	Solenoid valve	Magnetventil	1,2	208-240V 60Hz
	1	1	1	1	1	1	1	471 8243-09	Solenoid valve	Magnetventil	1,2	120V 60Hz
	1	1	1	1	1	1	1	471 8243-10	Solenoid valve	Magnetventil	1,2	230V 50/60Hz
4	1	1	1	1	1	1	1	438 8102-06	Hose	Slang	1	Japan L=330
5	1	1	1	1	1	1	1	471 8139-01	Hose	Slang	1	L=330
6	1							432 2527-03	Hose	Slang	1	
		1						432 2527-05	Hose	Slang	1	
			1					432 2527-04	Hose	Slang	1	
				1				432 2527-01	Hose	Slang	1	
					1			432 2527-02	Hose	Slang	1	
						1		432 2522-01	Hose	Slang	1	
7	1							432 2511-01	Drain pipe connection	Avloppsstos	3	-520/120946, 521/400282-403819
	1							413 5003-01	Drain pipe connection	Avloppsstos	3	521/403820-
		1						432 2511-01	Drain pipe connection	Avloppsstos	3	-595/106646, 521/401173-404049
			1					413 5003-01	Drain pipe connection	Avloppsstos	3	521/404050-
				1				432 2511-01	Drain pipe connection	Avloppsstos	3	-595/106611, 521/400106-404049
					1			413 5003-01	Drain pipe connection	Avloppsstos	3	521/404050-
8	1	1	1	1	1	1	1	432 2511-01	Drain pipe connection	Avloppsstos	3	
9	1	1	1	1	1	1	1	736 2846-51	Hose clamp	Slangklämma	3	Ø73-83
10	1	1	1	1	1	1	1	736 2846-51	Hose clamp	Slangklämma	3	Ø73-83
			1					432 2521-03	Hose	Slang	1	
				1				432 2521-05	Hose	Slang	1	
11	1	1	1					736 2831-51	Hose clamp	Slangklämma	3	Ø36-42
				1	1	1		736 2837-51	Hose clamp	Slangklämma	3	Ø48-54
12	1	1	1	1	1	1	1	736 2837-51	Hose clamp	Slangklämma	3	Ø48-54
13	1	1	1					432 2508-01	Hose	Slang	1	
				1	1	1		432 2508-02	Hose	Slang	1	
14	1	1	1	1	1	1	1	432 2507-01	Air tube	Luftklocka	1	
15	1	1	1	1	1	1	1	432 2506-01	Connection	Anslutning	3	
16	1	1	1					438 8120-01	Hose	Slang	1	L=940
				1				438 8120-02	Hose	Slang	1	L=1325
					1	1		438 8120-03	Hose	Slang	1	L=1600
17	Rq	Rq	Rq	Rq	Rq	Rq		471 7887-01	Clip	Clips	3	
18	1	1	1	1	1	1		432 3182-41	Cable set	Ledningssats	3	X50
					1	1		432 3182-43	Cable set	Ledningssats	3	X50
19	1							471 8128-63	Hose	Slang	1	
		1						471 8128-66	Hose	Slang	1	
			1					471 8128-64	Hose	Slang	1	
				1				471 8128-61	Hose	Slang	1	
					1			471 8128-67	Hose	Slang	1	
						1		471 8128-65	Hose	Slang	1	
20	2	2	2	2	2	2		736 2840-51	Hose clamp	Slangklämma	3	Ø50-63
21	1							471 8124-07	Hose	Slang	1	
		1						471 8124-02	Hose	Slang	1	



102503

Issue	Month	Year
01	01	07

**W485S Compass,W4105S Compass,W4130S Compass,W4180S Compass,W4250S Compass,W4330S Compass**

**Drain valve and hoses**

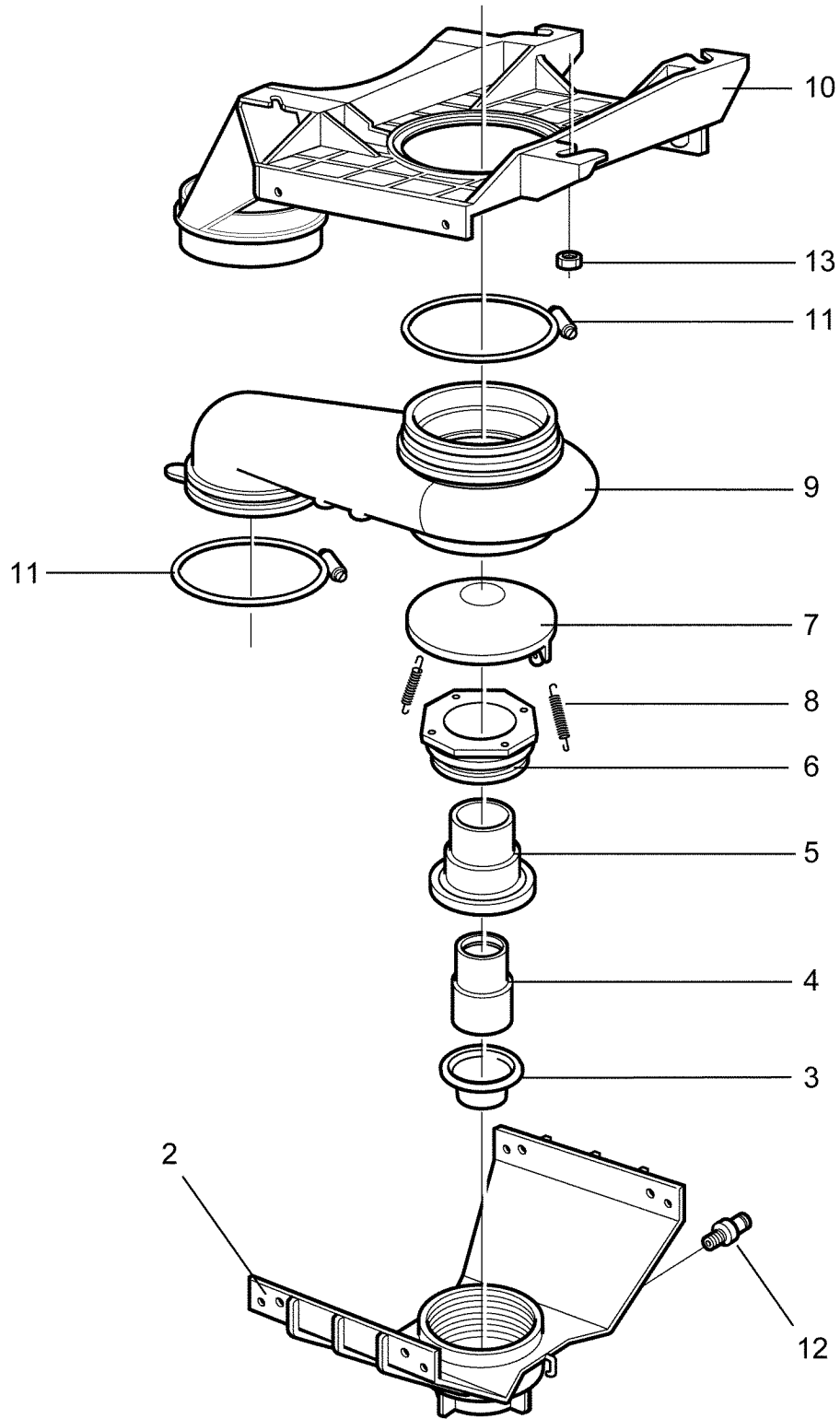
Illustration Issue Month Year  
Illustration Utgåva Månad År

**Avloppsventil och slangar**

**102503/1 4 3 2012**

Item Pos.	Quantity Antal							Art.No Art.nr	Description	Benämning	Info Info	Notes Anmärkning
	W485S Compass											
	W4105S Compass											
	W4130S Compass											
	W4180S Compass											
	W4250S Compass											
	W4330S Compass											
		1					<b>471 8124-03</b>	Hose	Slang	1		
			1				<b>471 8124-04</b>	Hose	Slang	1		
				1			<b>471 8124-08</b>	Hose	Slang	1		
					1		<b>471 8124-09</b>	Hose	Slang	1		
<b>22</b>	2	2	2	2	2	2	<b>736 2831-51</b>	Hose clamp	Slangklämma	3	Ø36-42	
<b>23</b>	1	1	1	1	1	1	<b>736 2825-51</b>	Hose clamp	Slangklämma	3	Ø32	
<b>24</b>	1	1					<b>438 5040-01</b>	Drain hose	Avloppsslang	1	Ø50	
	1	1	1	1	1	1	<b>471 4835-01</b>	Drain hose	Avloppsslang	1	Ø75	
<b>25</b>	-	-	1	-	-	-	<b>471 8613-05</b>	Tube	Rör	3	Ø50, L=80	
<b>26</b>	-	-	1	-	-	-	<b>471 8128-41</b>	Hose	Slang	1	L=90, 1 1/2"	

1





**W485S Compass,W4105S Compass,W4130S Compass,W4180S Compass,W4250S Compass,W4330S Compass**

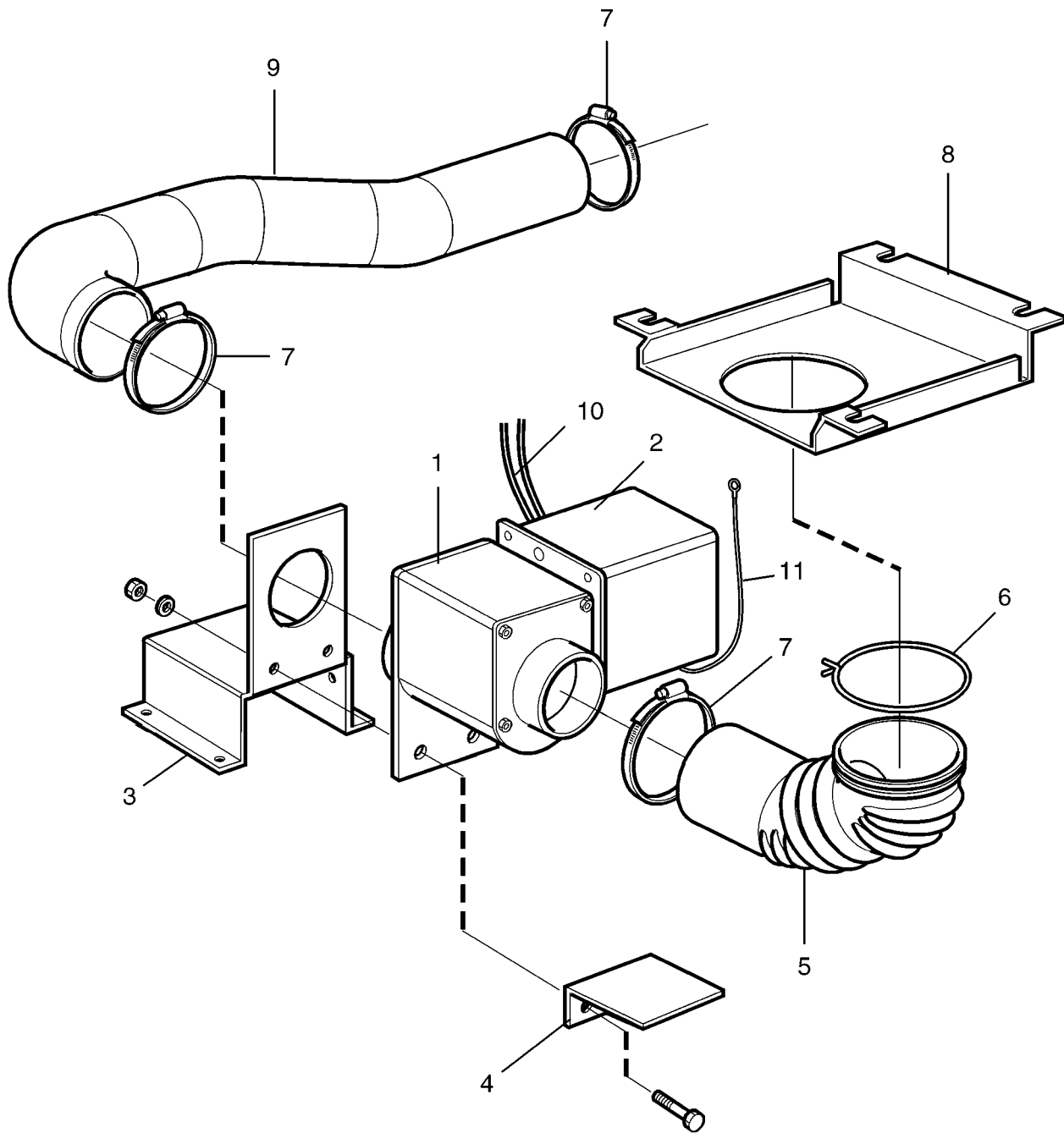
**Drain valve**

Illustration Issue Month Year  
Illustration Utgåva Månad År

**Avloppsventil**

**102343/1 3 12 2013**

Item Pos.	Qua. Ant.	Art.No Art.nr	Description	Benämning	Info Info	Notes Anmärkning
1	1	432 2502-01	Drain valve	Avloppsventil	1,2	
2	1	438 0051-01	•Lower frame	•Underdel	3	
3	1	471 8195-01	•Diaphragm	•Membran	1,2	
4	1	438 0054-01	•Piston	•Kolv	3	
5	1	438 0053-01	•Housing	•Hus	3	
6	1	438 0055-01	•Gland	•Gland	3	
7	1	438 0052-01	•Cover	•Lock	3	
8	2	471 7818-01	•Spring	•Fjäder	1	
9	1	432 2505-01	•Hose housing	•Slanghus	1,2	
10	1	432 2501-01	•Upper frame	•Överdel	3	
11	2	471 7871-04	•Hose clamp	•Slangklämma	3	
12	1	471 8688-13	•Nipple	•Nippel	1	1/8"
13	4	471 8404-03	Nut	Mutter	3	M6 Stainless



**W485S Compass,W4105S Compass,W4130S Compass,W4180S Compass,W4250S Compass,W4330S Compass**

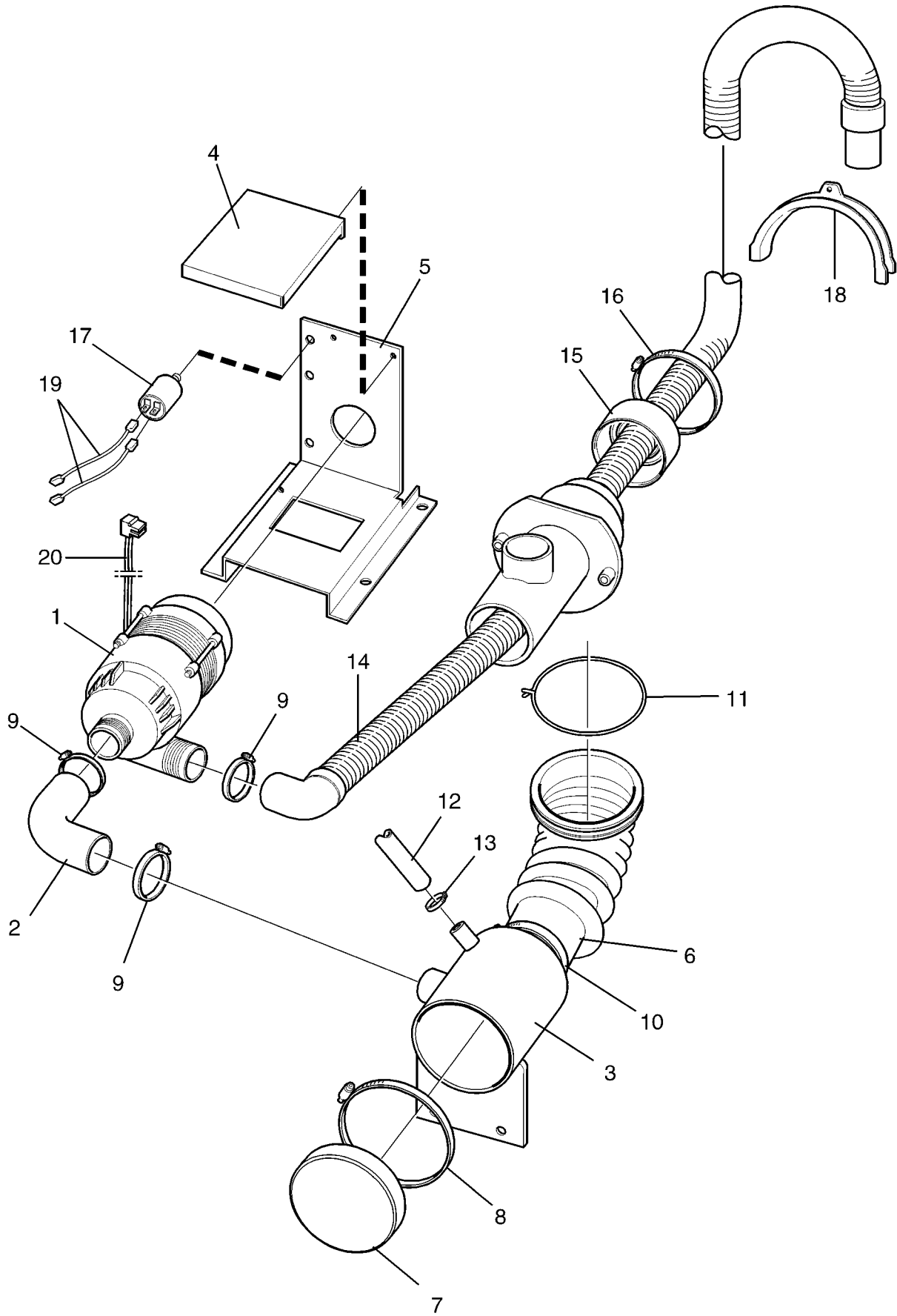
**Drain valve, electrical**

Illustration Issue Month Year  
Illustration Utgåva Månad År

**Avloppsventil, elektrisk**

**102492/1 4 3 2012**

Item Pos.	Quantity Antal							Art.No Art.nr	Description	Benämning	Info Info	Notes Anmärkning
	W485S Compass											
	W4105S Compass											
	W4130S Compass											
	W4180S Compass											
	W4250S Compass											
	W4330S Compass											
1	1	1	1	1	1	1	1	471 8215-01	Drain valve	Avloppsventil	1,2	50/60Hz
	1	1	1	1	1	1	1	471 8215-03	Drain valve	Avloppsventil	1,2	50/60Hz
2	1	1	1	1	1	1	1	432 2548-01	Cover	Kåpa	3	
3	1	1	1					432 2531-02	Mounting plate	Fästplåt	3	
				1	1	1		432 2531-01	Mounting plate	Fästplåt	3	
4	1	1	1	1	1	1	1	432 2537-01	Support	Stöd	3	
5	1	1	1	1	1	1		432 2516-04	Hose	Slang	1	
							1	432 2516-05	Hose	Slang	1	
6	1	1	1	1	1	1	1	471 7871-07	Hose clamp	Slangklämma	3	
7	3	3	3	3	3	3	3	736 2846-51	Hose clamp	Slangklämma	3	Ø73-83
8	1	1	1	1	1	1	1	432 2534-01	Mounting plate	Fästplåt	3	
9	1							432 2518-01	Hose	Slang	1	
		1						432 2518-07	Hose	Slang	1	
			1					432 2518-02	Hose	Slang	1	
				1				432 2518-03	Hose	Slang	1	
					1			432 2518-04	Hose	Slang	1	
						1		432 2518-05	Hose	Slang	1	
10	1							413 2902-02	Cable set	Ledningssats	3	
		1	1					413 2902-04	Cable set	Ledningssats	3	
				1				413 2902-06	Cable set	Ledningssats	3	
					1			413 2902-08	Cable set	Ledningssats	3	
						1		413 2902-10	Cable set	Ledningssats	3	
11	1	1	1					432 2982-10	Ground cable	Jordkabel	3	

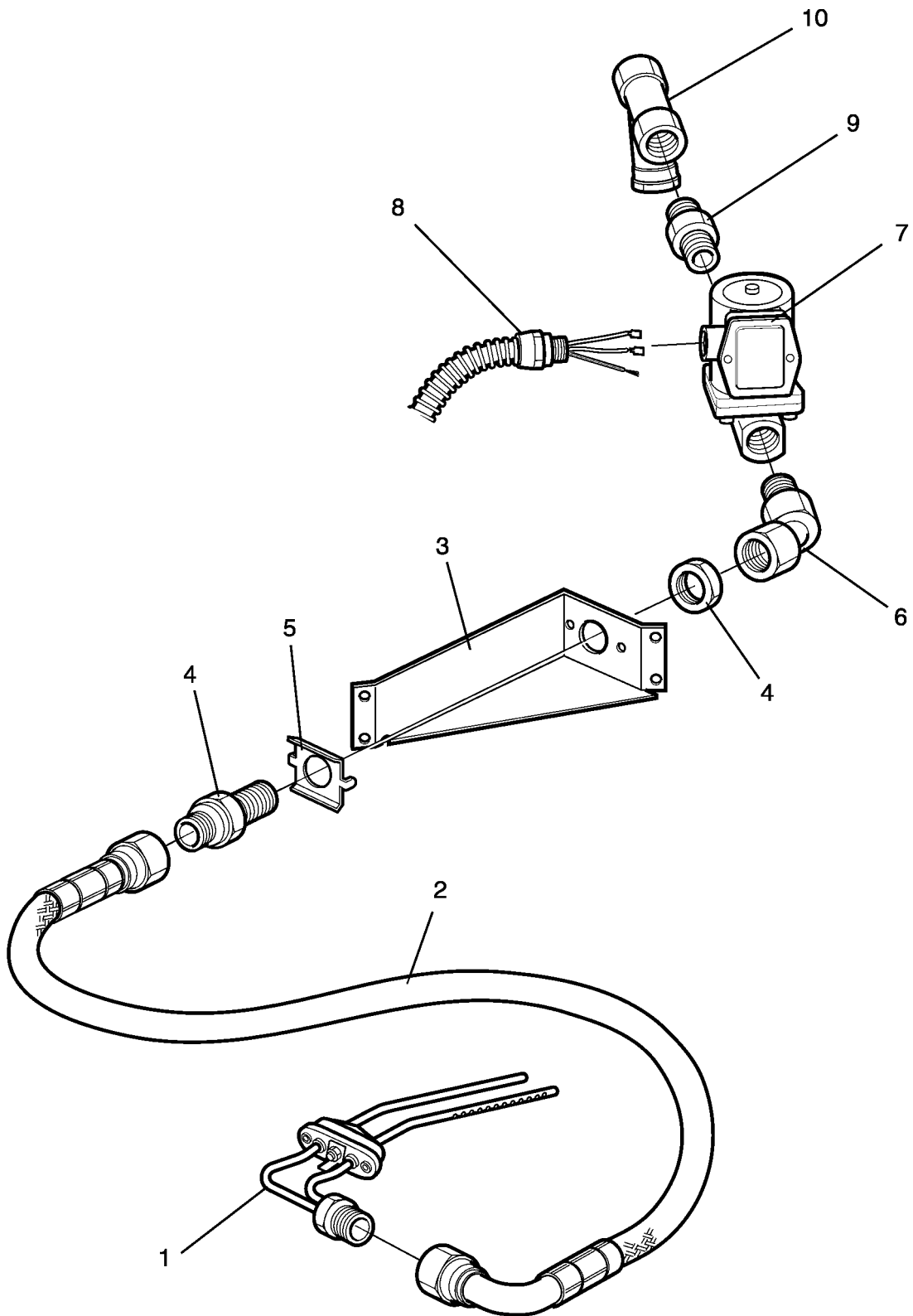


**W485S Compass,W4105S Compass****Drain pump**

Illustration	Issue	Month	Year
Illustration	Utgåva	Månad	År
<b>102493/1</b>	<b>3</b>	<b>9</b>	<b>2011</b>

**Avloppspump**

Item Pos.	Quantity Antal	Art.No Art.nr	Description	Benämning	Info Info	Notes Anmärkning
			W485S Compass			
			W4105S Compass			
1	1	438 8270-01	Drain pump	Avloppspump	1,2	230V 50Hz Complete
	1	438 8270-02	Drain pump	Avloppspump	1,2	230V 60Hz Complete
2	1	471 4391-02	Hose	Slang	1,2	
3	1	432 2533-01	Container	Behållare	3	
4	1	432 2538-01	Cover	Skydd	3	
5	1	432 2532-01	Mounting plate	Fästplåt	3	
6	1	432 2524-01	Hose	Slang	1	
7	1	472 6760-01	Hood	Huv	3	
8	1	736 2849-51	Hose clamp	Slangklämma	3	Ø77-93
9	3	736 2825-51	Hose clamp	Slangklämma	3	Ø32
10	1	736 2837-51	Hose clamp	Slangklämma	3	Ø48-54
11	1	471 7871-07	Hose clamp	Slangklämma	3	
12	1	471 8116-03	Hose	Slang	1	L=1450
13	1	736 2816-51	Hose clamp	Slangklämma	3	Ø13-19
14	1	471 6858-82	Drain hose	Avloppsslang	1	
15	1	438 5022-01	Discharge	Avlastning	3	
16	1	736 2840-51	Hose clamp	Slangklämma	3	Ø50-63
17	1	438 9515-01	Capacitor	Kondensator	1	4µF
18	1	471 6858-83	Bracket	Hållare	3	
19	2	432 2954-26	Cable set	Ledningssats	3	
20	1	413 2903-03	Cable set	Ledningssats	3	
		413 2903-05	Cable set	Ledningssats	3	



**W485S Compass,W4105S Compass,W4130S Compass,W4180S Compass,W4250S Compass,W4330S Compass**

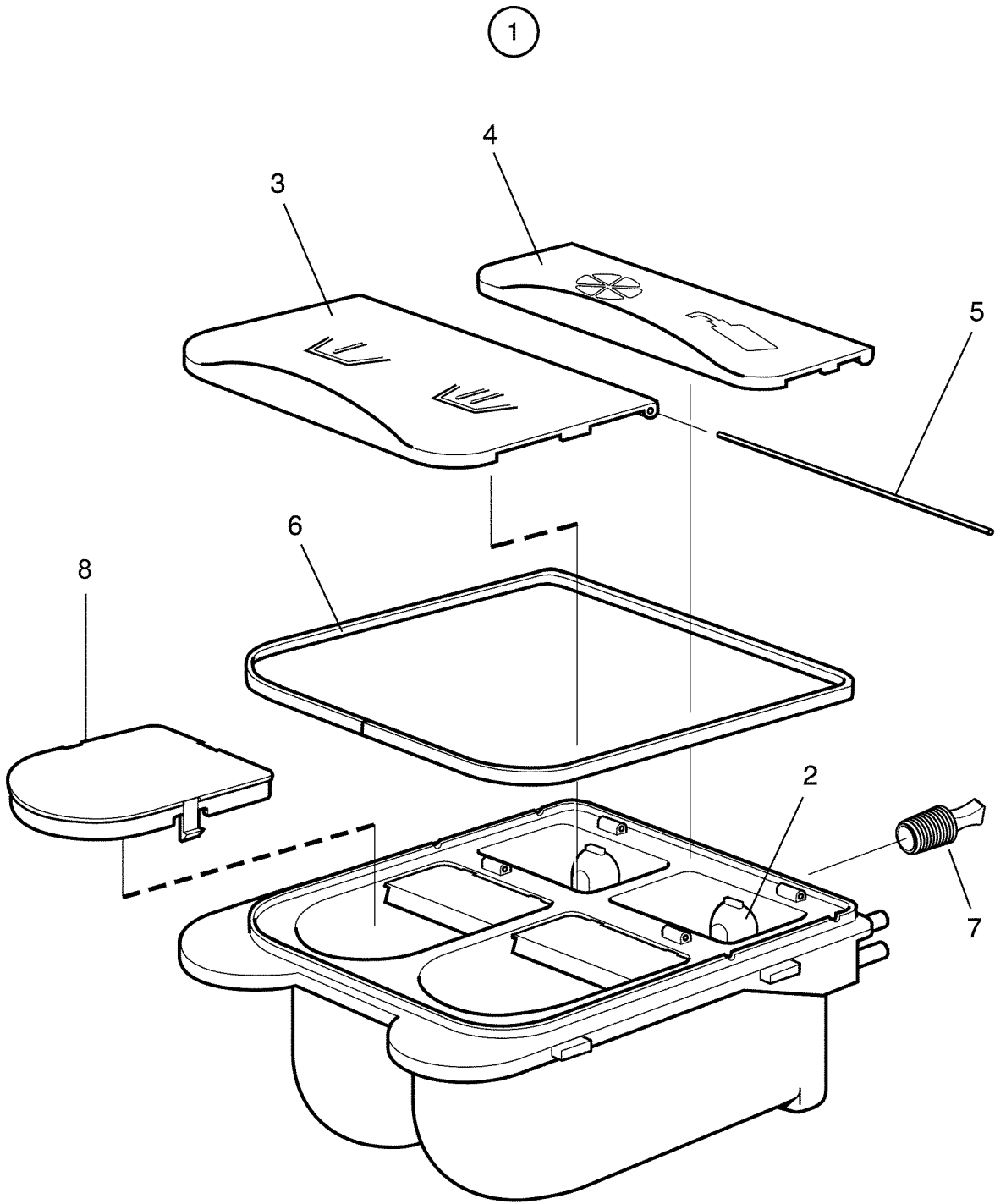
**Steam components**

Illustration Issue Month Year  
Illustration Utgåva Månad År

**Ångdetaljer**

**102501/1 1 3 2009**

Item Pos.	Quantity Antal		Art.No Art.nr	Description	Benämning	Info Info	Notes Anmärkning
	W485S Compass						
	W4105S Compass						
	W4130S Compass						
	W4180S Compass						
	W4250S Compass						
	W4330S Compass						
1	1	1	1	432 1630-01 Steam injector	Ånginjektor	3	
			1	432 1631-01 Steam injector	Ånginjektor	3	
2	1			471 8126-25 Steam hose	Ångslang	1	
		1	1	471 8126-26 Steam hose	Ångslang	1	
			1	471 8126-27 Steam hose	Ångslang	1	
			1	471 8126-28 Steam hose	Ångslang	1	
3	1	1	1	432 1673-01 Bracket	Konsol	3	
4	1	1	1	471 8695-01 Nipple	Nippel	3	
5	1	1	1	471 2937-01 Bracket	Vridskydd	3	
6	1	1	1	471 8697-01 Adapter	Adapter	3	
7	1	1	1	471 8279-03 Valve	Ventil	1,2	50/60 Hz
	1	1	1	471 8279-08 •Repair kit	•Reparationsats	1,2	
8	1	1	1	432 3058-01 Cable set	Ledningsssats	3	
9	1	1	1	471 8624-01 Nipple	Nippel	3	
10	1	1	1	744 3113-06 Filter	Filter	3	1/2"





**W485S Compass,W4105S Compass,W4130S Compass,W4180S Compass,W4250S Compass,W4330S Compass**

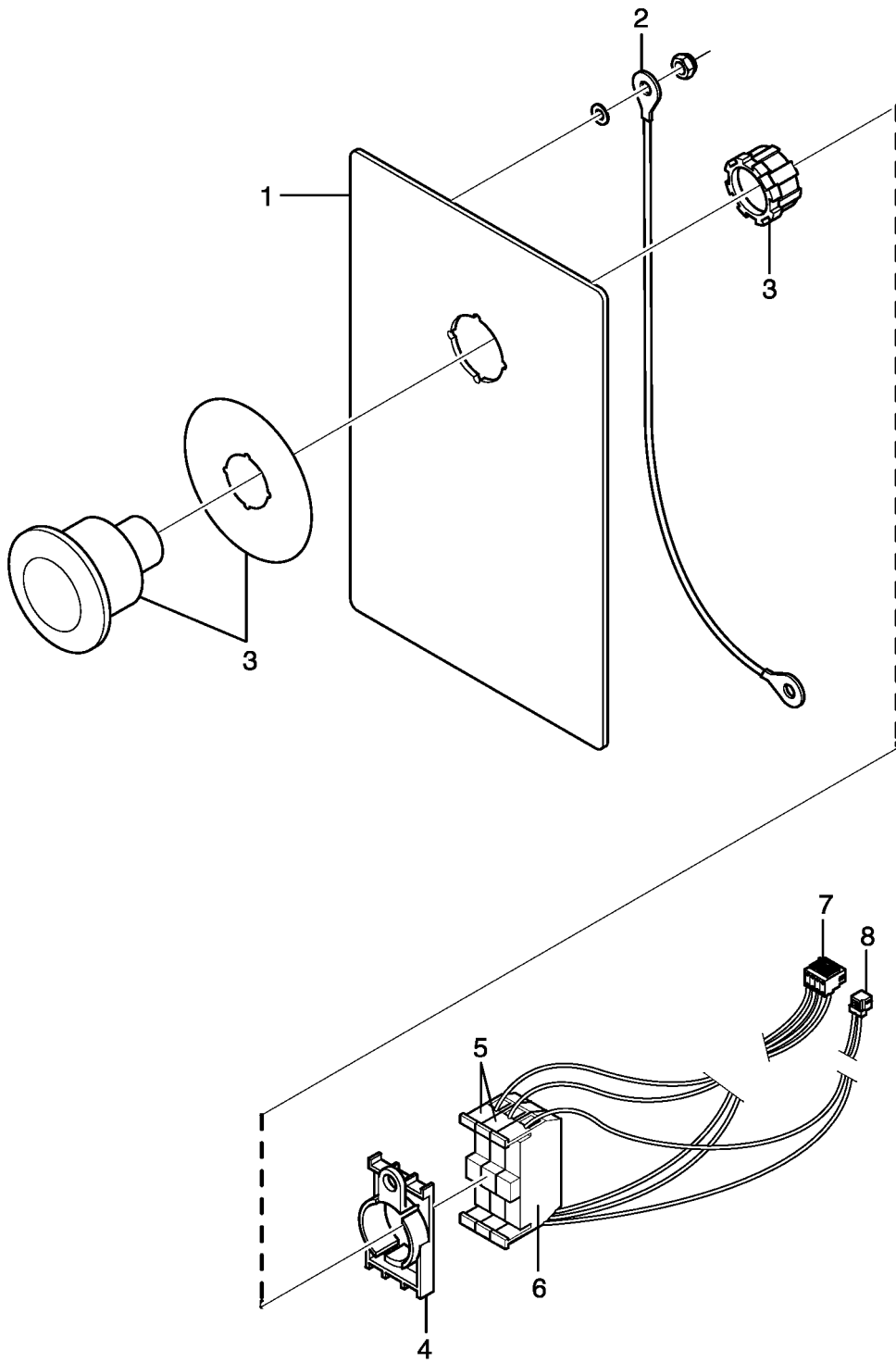
**Detergent container**

Illustration Issue Month Year  
Illustration Utgåva Månad År

**Tvättmedelsbehållare**

**102344/1 3 4 2013**

Item Pos.	Qua. Ant.	Art.No Art.nr	Description	Benämning	Info Info	Notes Anmärkning
<b>1</b>	1	<b>472 9954-01</b>	Detergent container	Tvättmedelsbehållare	1,2	USA
	1	<b>472 9954-03</b>	Detergent container	Tvättmedelsbehållare	1,2	
<b>2</b>	2	<b>432 2404-51</b>	•Siphon	•Hävert	1,2	
<b>3</b>	1	<b>432 2405-02</b>	•Cover	•Lock	1,2	
<b>4</b>	1	<b>432 2406-02</b>	•Cover	•Lock	1,2	
<b>5</b>	2	<b>432 2407-01</b>	•Shaft	•Axel	3	
<b>6</b>	1	<b>432 2412-01</b>	•Gasket	•Packning	1,2	
<b>7</b>	1	<b>432 2413-01</b>	•Rubber plug	•Gummiplugg	1,2	
<b>8</b>	1	<b>432 2409-01</b>	Cover	Kåpa	3	



**W485S Compass,W4105S Compass,W4130S Compass,W4180S Compass,W4250S Compass,W4330S Compass**

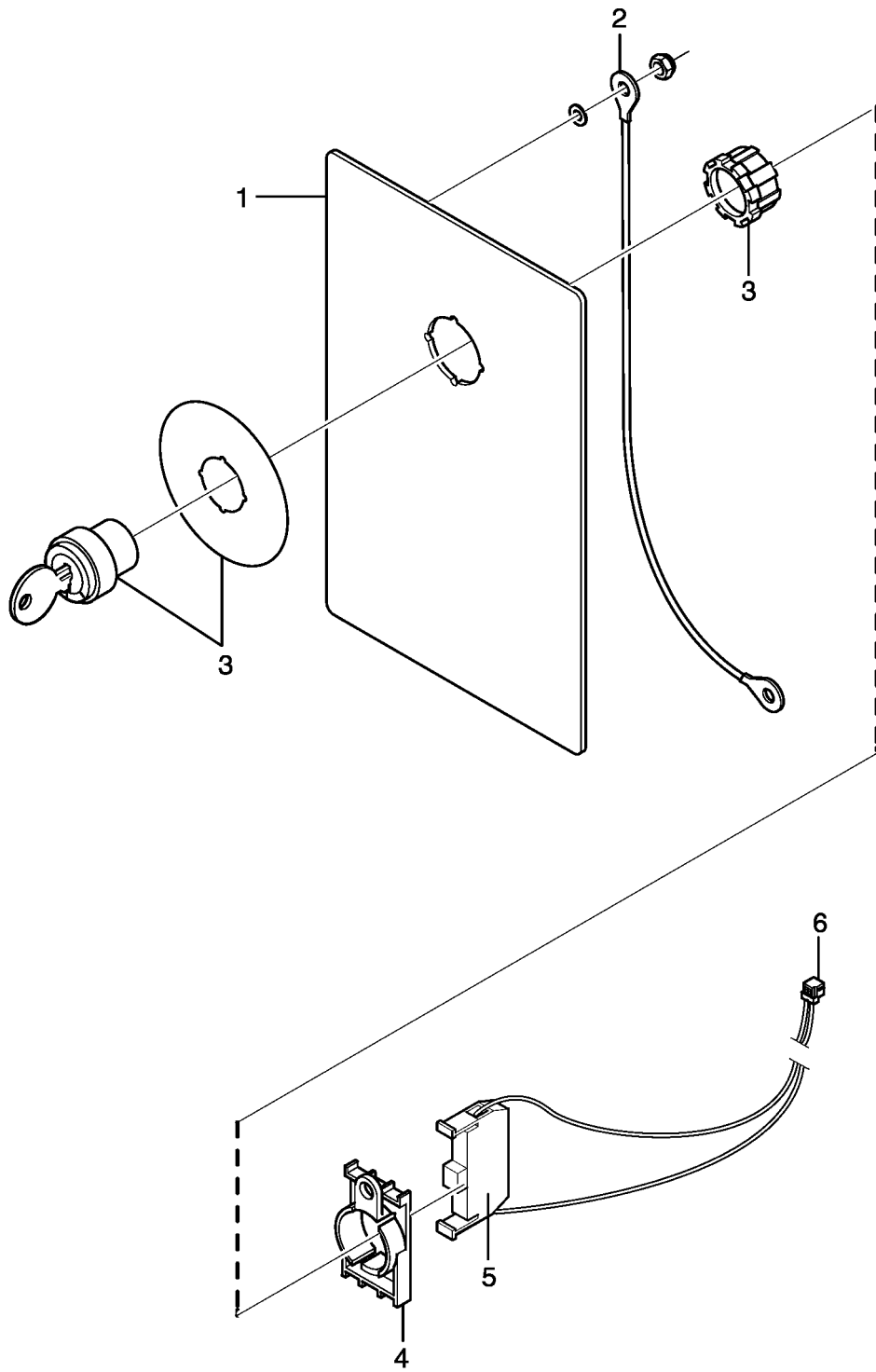
**Emergency stop**

Illustration Issue Month Year  
Illustration Utgåva Månad År

**Nödstopp**

**102596 1 1 2009**

Item Pos.	Qua. Ant.	Art.No Art.nr	Description	Benämning	Info Info	Notes Anmärkning
<b>1</b>	1	<b>432 2150-12</b>	Cover plate	Täckplåt	3	
<b>2</b>	1	<b>432 2982-20</b>	Cable set	Ledningssats	3	
<b>3</b>	1	<b>471 9628-32</b>	Emergency stop	Nödstopp	1	
<b>4</b>	1	<b>471 9628-75</b>	Bracket	Hållare	1	
<b>5</b>	2	<b>471 9628-70</b>	Socket	Kontaktblock	1	NC Red
<b>6</b>	1	<b>471 9628-71</b>	Socket	Kontaktblock	1	NO Green
<b>7</b>	1	<b>413 3184-16</b>	Cable set	Ledningssats	3	
<b>8</b>	1	<b>413 3272-19</b>	Cable set	Ledningssats	3	



**W4105S Compass**

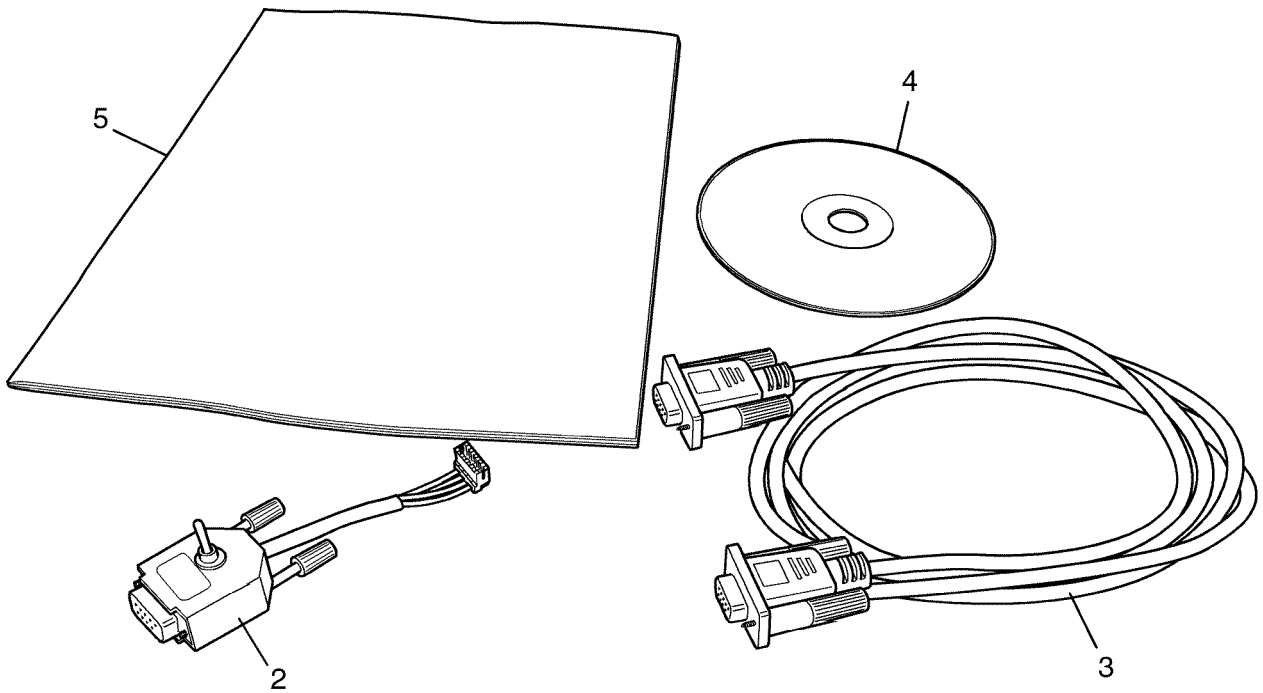
**Key switch**

**Nyckelbrytare**

Illustration	Issue	Month	Year
Illustration	Utgåva	Månad	År
<b>102663</b>	<b>1</b>	<b>3</b>	<b>2009</b>

Item Pos.	Qua. Ant.	Art.No Art.nr	Description	Benämning	Info Info	Notes Anmärkning
<b>1</b>	1	<b>432 2150-12</b>	Cover plate	Täckplåt	3	
<b>2</b>	1	<b>432 2982-20</b>	Cable set	Ledningssats	3	
<b>3</b>	1	<b>471 9628-85</b>	Key switch	Nyckelbrytare	1	
<b>4</b>	1	<b>471 9628-75</b>	Bracket	Hållare	1	
<b>5</b>	1	<b>471 9628-71</b>	Socket	Kontaktblock	1	NO Green
<b>6</b>	1	<b>413 3272-21</b>	Cable set	Ledningssats	3	

1



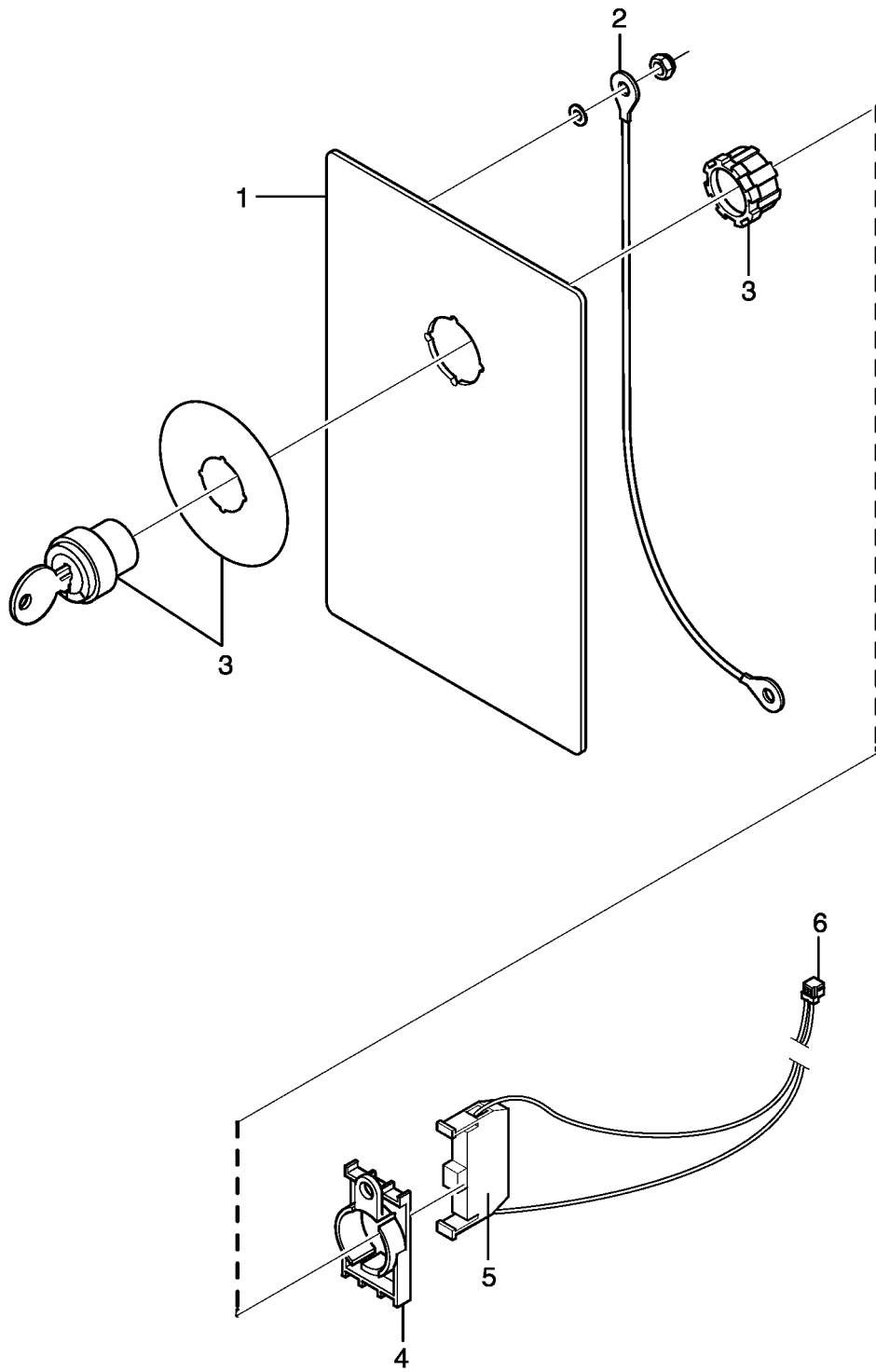
**W4105S Compass**

**Compass control loader**

**Compass control loader**

Illustration	Issue	Month	Year
Illustration	Utgåva	Månad	År
<b>102486/1</b>	<b>1</b>	<b>12</b>	<b>2006</b>

Item Pos.	Qua. Ant.	Art.No Art.nr	Description	Benämning	Info Info	Notes Anmärkning
<b>1</b>	1		Compass control loader	Compass control loader	3	Complete
<b>2</b>	1	<b>413 2934-01</b>	•Cable	•Kabel	3	
<b>3</b>	1	<b>438 8793-01</b>	•Cable	•Kabel	3	Complete
<b>4</b>	1	<b>438 9210-60</b>	•CD-ROM	•CD-ROM	3	
<b>5</b>	1	<b>438 9212-90</b>	•User instructions	•Bruksanvisning	3	Swedish
	1	<b>438 9212-91</b>	•User instructions	•Bruksanvisning	3	English





**W4130S Compass**

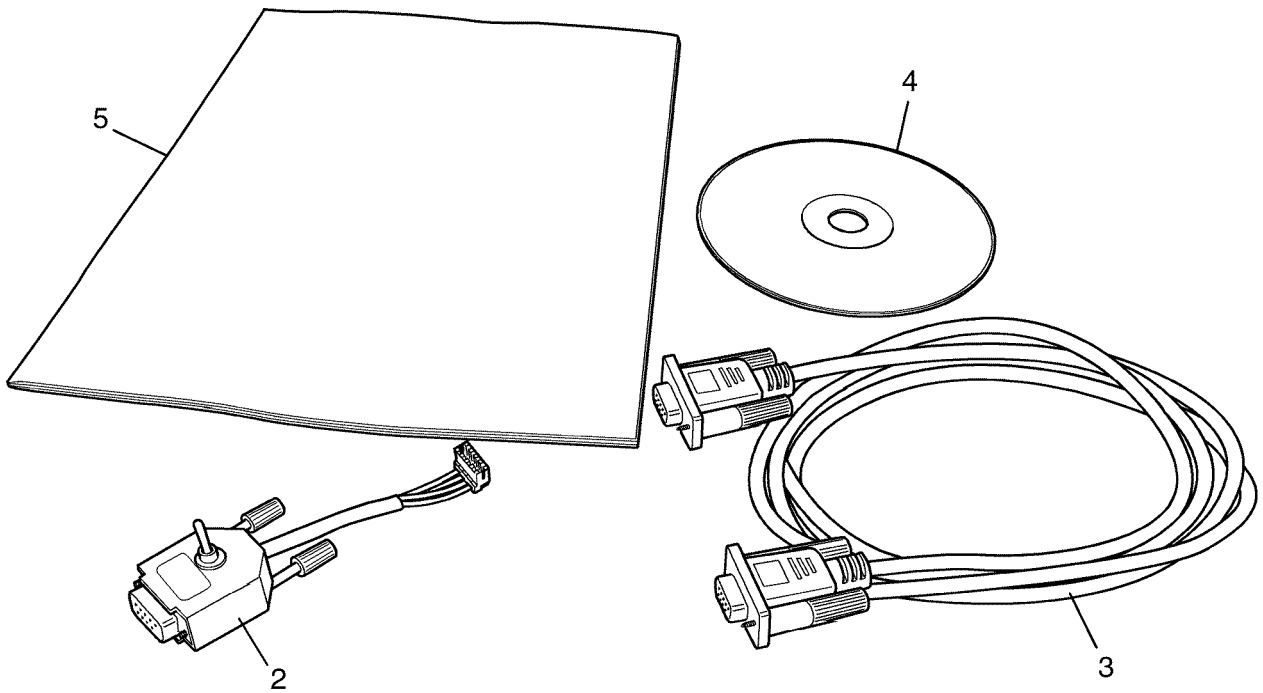
**Key switch**

**Nyckelbrytare**

Illustration	Issue	Month	Year
Illustration	Utgåva	Månad	År
<b>102663</b>	<b>1</b>	<b>3</b>	<b>2009</b>

Item Pos.	Qua. Ant.	Art.No Art.nr	Description	Benämning	Info Info	Notes Anmärkning
<b>1</b>	1	<b>432 2150-12</b>	Cover plate	Täckplåt	3	
<b>2</b>	1	<b>432 2982-20</b>	Cable set	Ledningssats	3	
<b>3</b>	1	<b>471 9628-85</b>	Key switch	Nyckelbrytare	1	
<b>4</b>	1	<b>471 9628-75</b>	Bracket	Hållare	1	
<b>5</b>	1	<b>471 9628-71</b>	Socket	Kontaktblock	1	NO Green
<b>6</b>	1	<b>413 3272-21</b>	Cable set	Ledningssats	3	

1



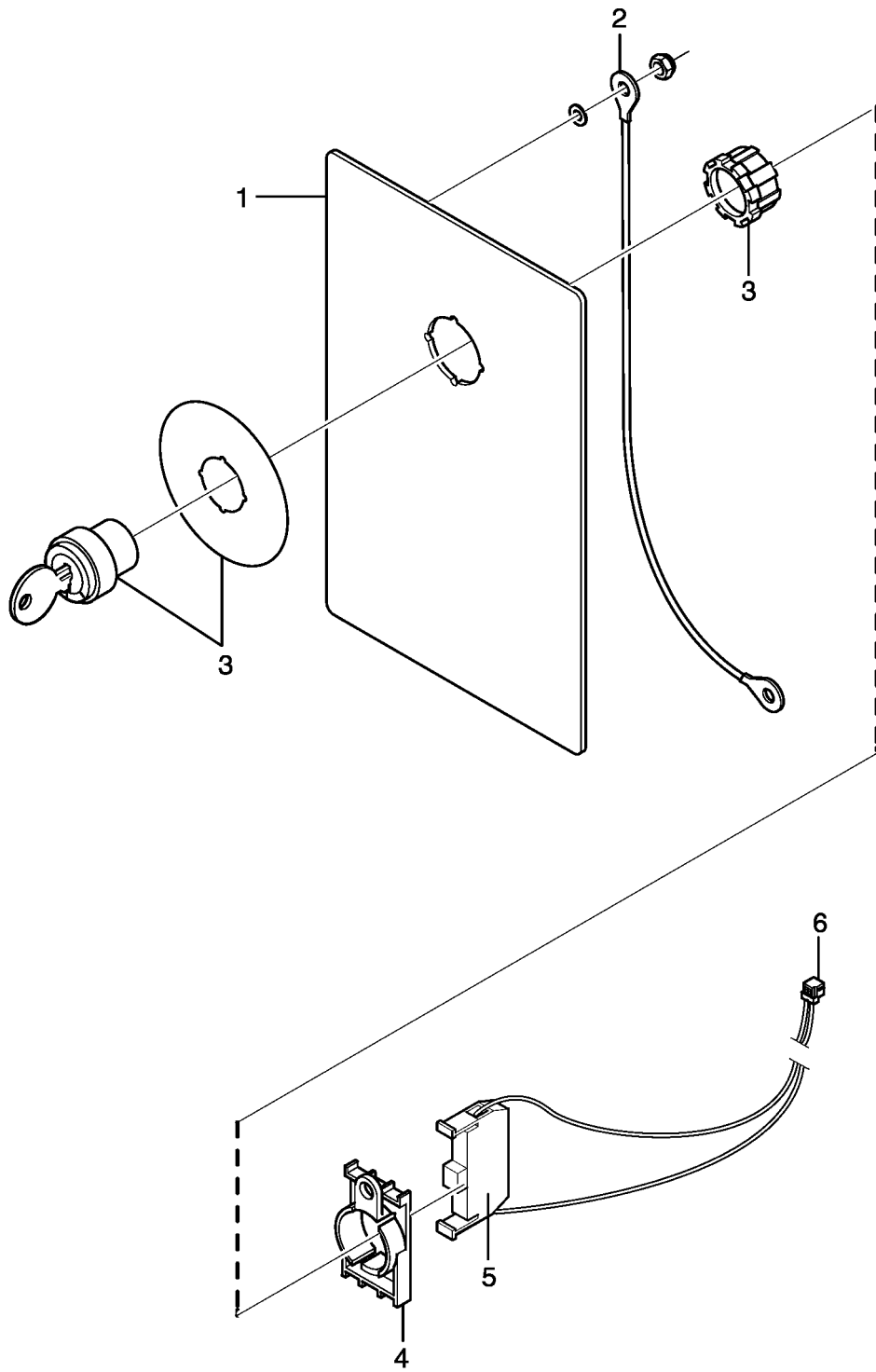
**W4130S Compass**

**Compass control loader**

**Compass control loader**

Illustration	Issue	Month	Year
Illustration	Utgåva	Månad	År
<b>102486/1</b>	<b>1</b>	<b>12</b>	<b>2006</b>

Item Pos.	Qua. Ant.	Art.No Art.nr	Description	Benämning	Info Info	Notes Anmärkning
<b>1</b>	1		Compass control loader	Compass control loader	3	Complete
<b>2</b>	1	<b>413 2934-01</b>	•Cable	•Kabel	3	
<b>3</b>	1	<b>438 8793-01</b>	•Cable	•Kabel	3	Complete
<b>4</b>	1	<b>438 9210-60</b>	•CD-ROM	•CD-ROM	3	
<b>5</b>	1	<b>438 9212-90</b>	•User instructions	•Bruksanvisning	3	Swedish
	1	<b>438 9212-91</b>	•User instructions	•Bruksanvisning	3	English



**W4330S Compass**

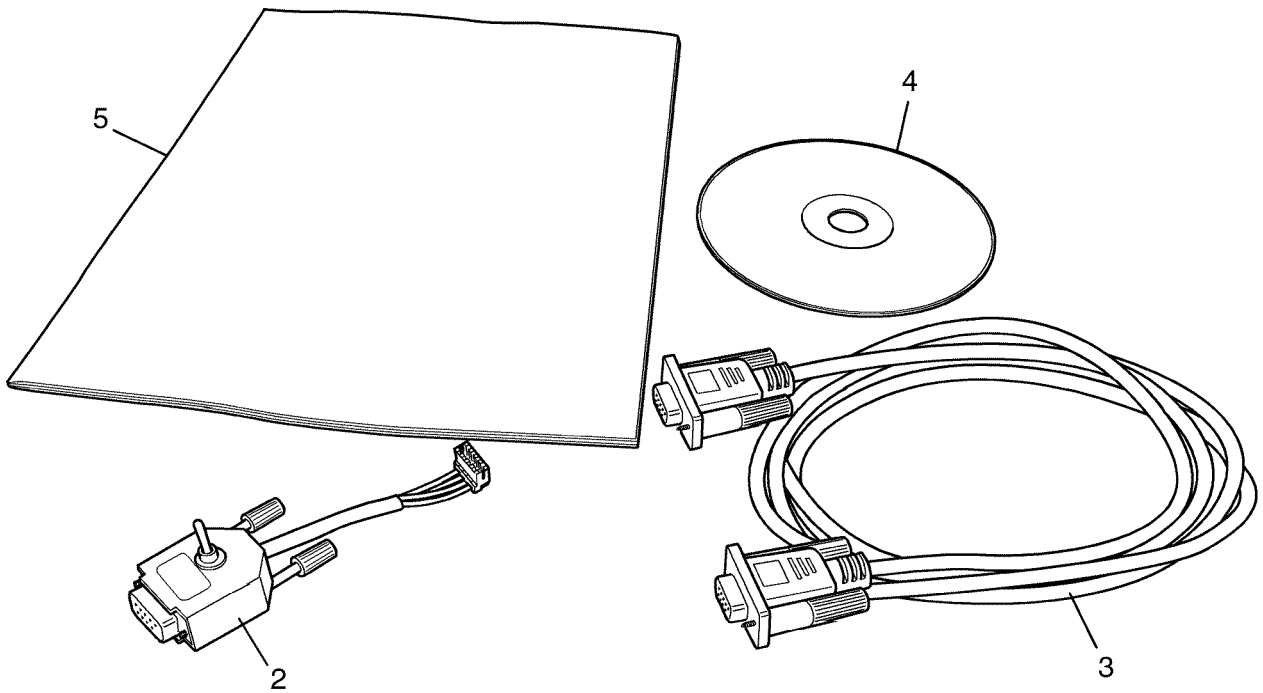
**Key switch**

**Nyckelbrytare**

Illustration	Issue	Month	Year
Illustration	Utgåva	Månad	År
<b>102663</b>	<b>1</b>	<b>3</b>	<b>2009</b>

Item Pos.	Qua. Ant.	Art.No Art.nr	Description	Benämning	Info Info	Notes Anmärkning
<b>1</b>	1	<b>432 2150-12</b>	Cover plate	Täckplåt	3	
<b>2</b>	1	<b>432 2982-20</b>	Cable set	Ledningssats	3	
<b>3</b>	1	<b>471 9628-85</b>	Key switch	Nyckelbrytare	1	
<b>4</b>	1	<b>471 9628-75</b>	Bracket	Hållare	1	
<b>5</b>	1	<b>471 9628-71</b>	Socket	Kontaktblock	1	NO Green
<b>6</b>	1	<b>413 3272-21</b>	Cable set	Ledningssats	3	

1



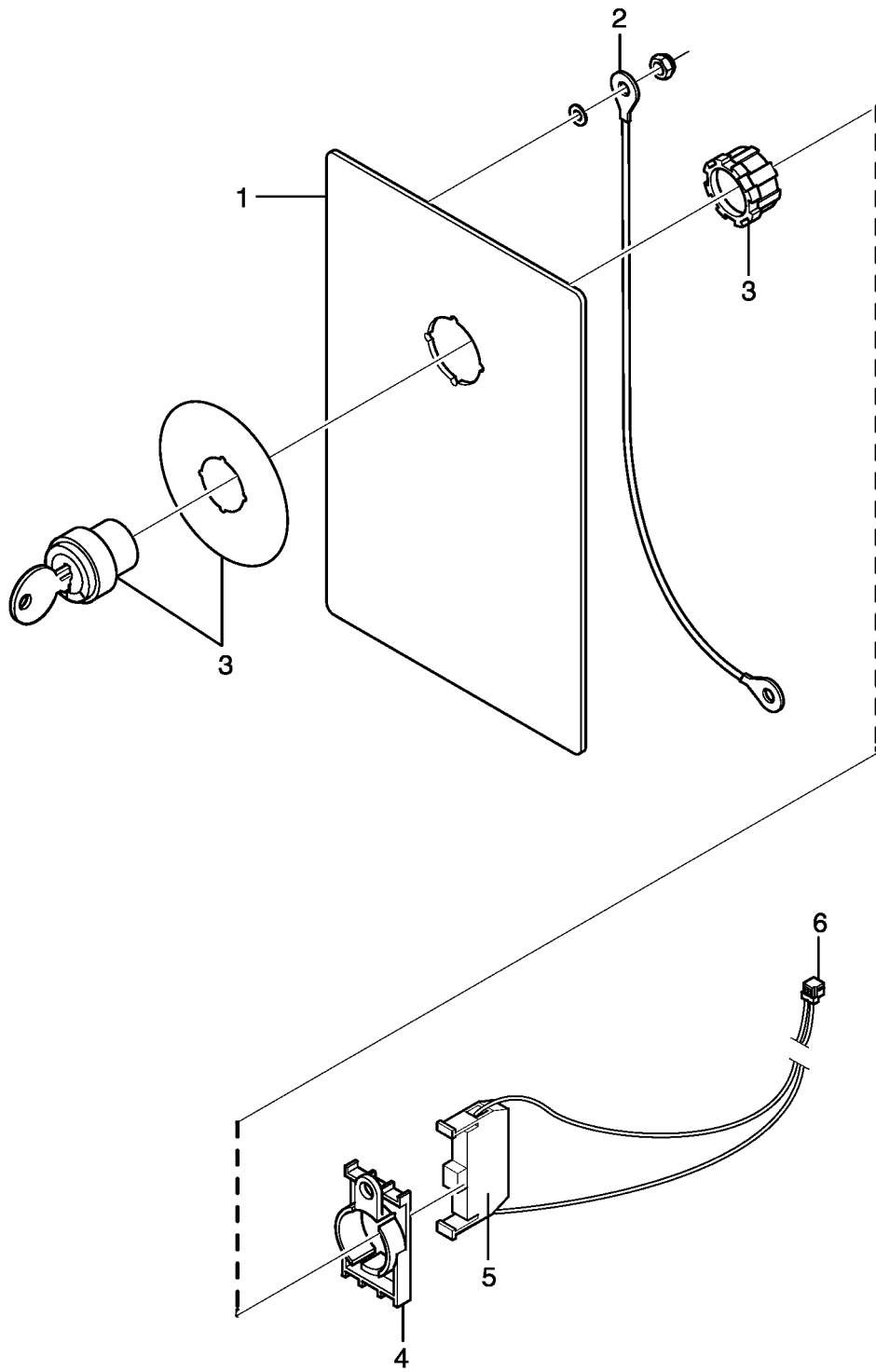
**W4330S Compass**

**Compass control loader**

**Compass control loader**

Illustration	Issue	Month	Year
Illustration	Utgåva	Månad	År
<b>102486/1</b>	<b>1</b>	<b>12</b>	<b>2006</b>

Item Pos.	Qua. Ant.	Art.No Art.nr	Description	Benämning	Info Info	Notes Anmärkning
<b>1</b>	1		Compass control loader	Compass control loader	3	Complete
<b>2</b>	1	<b>413 2934-01</b>	•Cable	•Kabel	3	
<b>3</b>	1	<b>438 8793-01</b>	•Cable	•Kabel	3	Complete
<b>4</b>	1	<b>438 9210-60</b>	•CD-ROM	•CD-ROM	3	
<b>5</b>	1	<b>438 9212-90</b>	•User instructions	•Bruksanvisning	3	Swedish
	1	<b>438 9212-91</b>	•User instructions	•Bruksanvisning	3	English





**W4250S Compass**

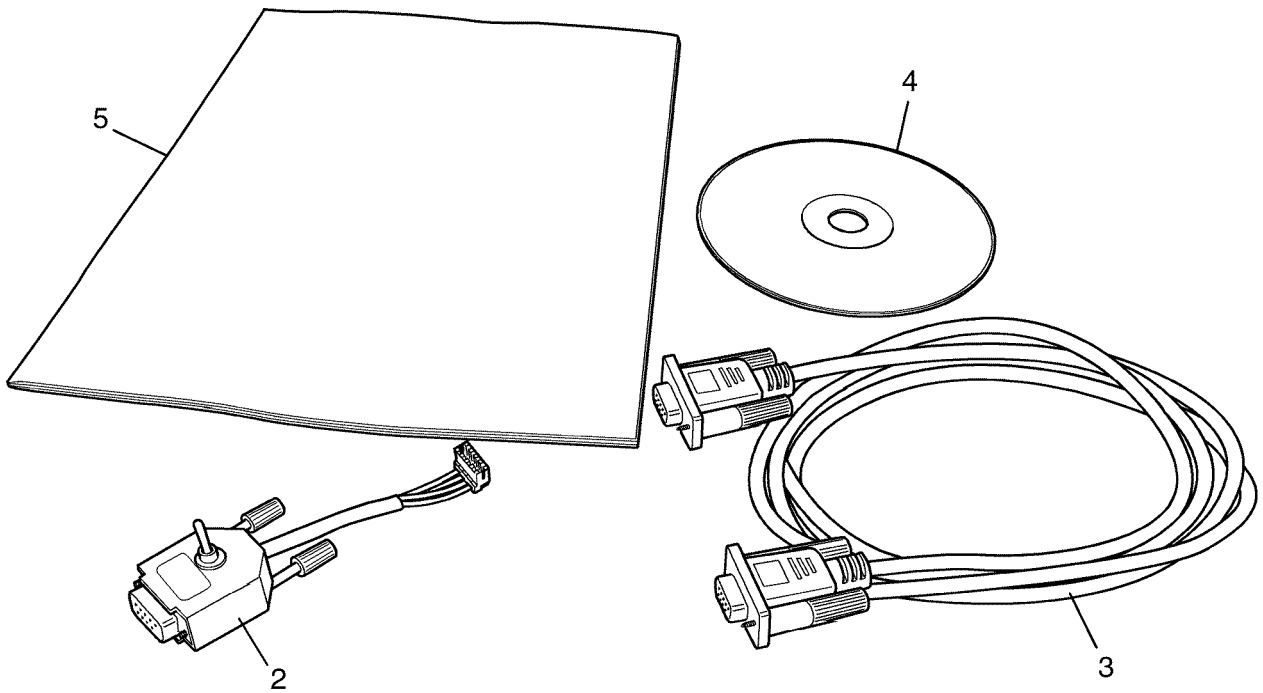
**Key switch**

**Nyckelbrytare**

Illustration	Issue	Month	Year
Illustration	Utgåva	Månad	År
<b>102663</b>	<b>1</b>	<b>3</b>	<b>2009</b>

Item Pos.	Qua. Ant.	Art.No Art.nr	Description	Benämning	Info Info	Notes Anmärkning
<b>1</b>	1	<b>432 2150-12</b>	Cover plate	Täckplåt	3	
<b>2</b>	1	<b>432 2982-20</b>	Cable set	Ledningssats	3	
<b>3</b>	1	<b>471 9628-85</b>	Key switch	Nyckelbrytare	1	
<b>4</b>	1	<b>471 9628-75</b>	Bracket	Hållare	1	
<b>5</b>	1	<b>471 9628-71</b>	Socket	Kontaktblock	1	NO Green
<b>6</b>	1	<b>413 3272-21</b>	Cable set	Ledningssats	3	

1



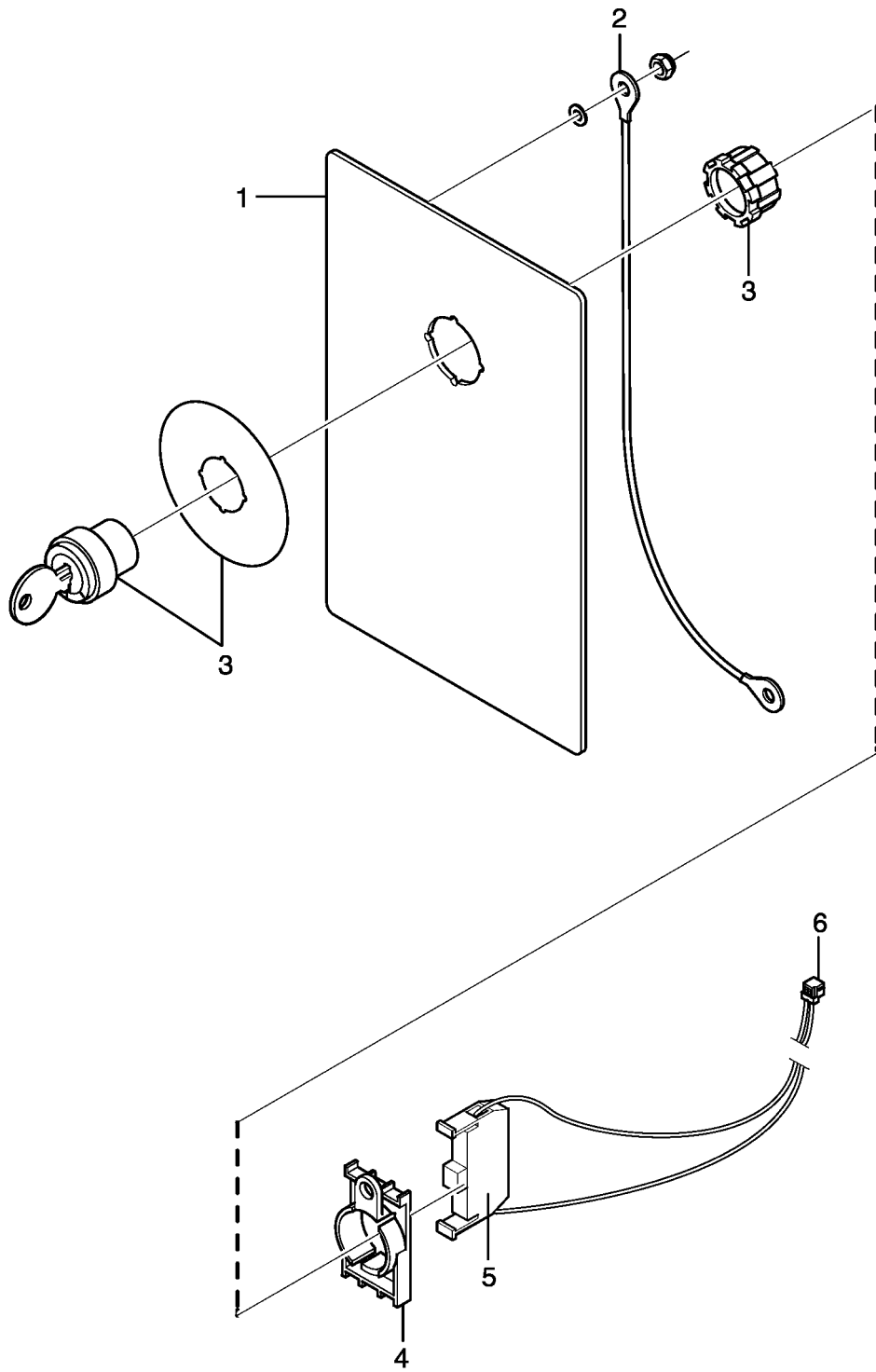
**W4250S Compass**

**Compass control loader**

**Compass control loader**

Illustration	Issue	Month	Year
Illustration	Utgåva	Månad	År
<b>102486/1</b>	<b>1</b>	<b>12</b>	<b>2006</b>

Item Pos.	Qua. Ant.	Art.No Art.nr	Description	Benämning	Info Info	Notes Anmärkning
<b>1</b>	1		Compass control loader	Compass control loader	3	Complete
<b>2</b>	1	<b>413 2934-01</b>	•Cable	•Kabel	3	
<b>3</b>	1	<b>438 8793-01</b>	•Cable	•Kabel	3	Complete
<b>4</b>	1	<b>438 9210-60</b>	•CD-ROM	•CD-ROM	3	
<b>5</b>	1	<b>438 9212-90</b>	•User instructions	•Bruksanvisning	3	Swedish
	1	<b>438 9212-91</b>	•User instructions	•Bruksanvisning	3	English



**W485S Compass**

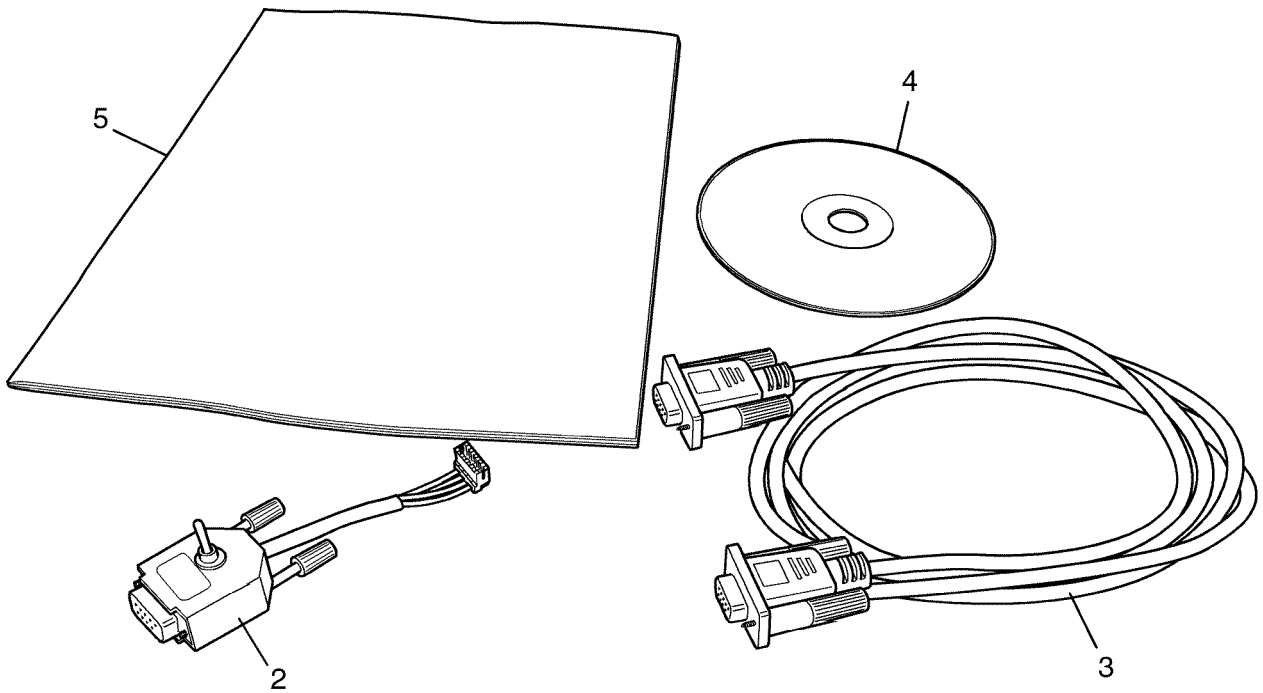
**Key switch**

**Nyckelbrytare**

Illustration	Issue	Month	Year
Illustration	Utgåva	Månad	År
<b>102663</b>	<b>1</b>	<b>3</b>	<b>2009</b>

Item Pos.	Qua. Ant.	Art.No Art.nr	Description	Benämning	Info Info	Notes Anmärkning
<b>1</b>	1	<b>432 2150-12</b>	Cover plate	Täckplåt	3	
<b>2</b>	1	<b>432 2982-20</b>	Cable set	Ledningssats	3	
<b>3</b>	1	<b>471 9628-85</b>	Key switch	Nyckelbrytare	1	
<b>4</b>	1	<b>471 9628-75</b>	Bracket	Hållare	1	
<b>5</b>	1	<b>471 9628-71</b>	Socket	Kontaktblock	1	NO Green
<b>6</b>	1	<b>413 3272-21</b>	Cable set	Ledningssats	3	

1



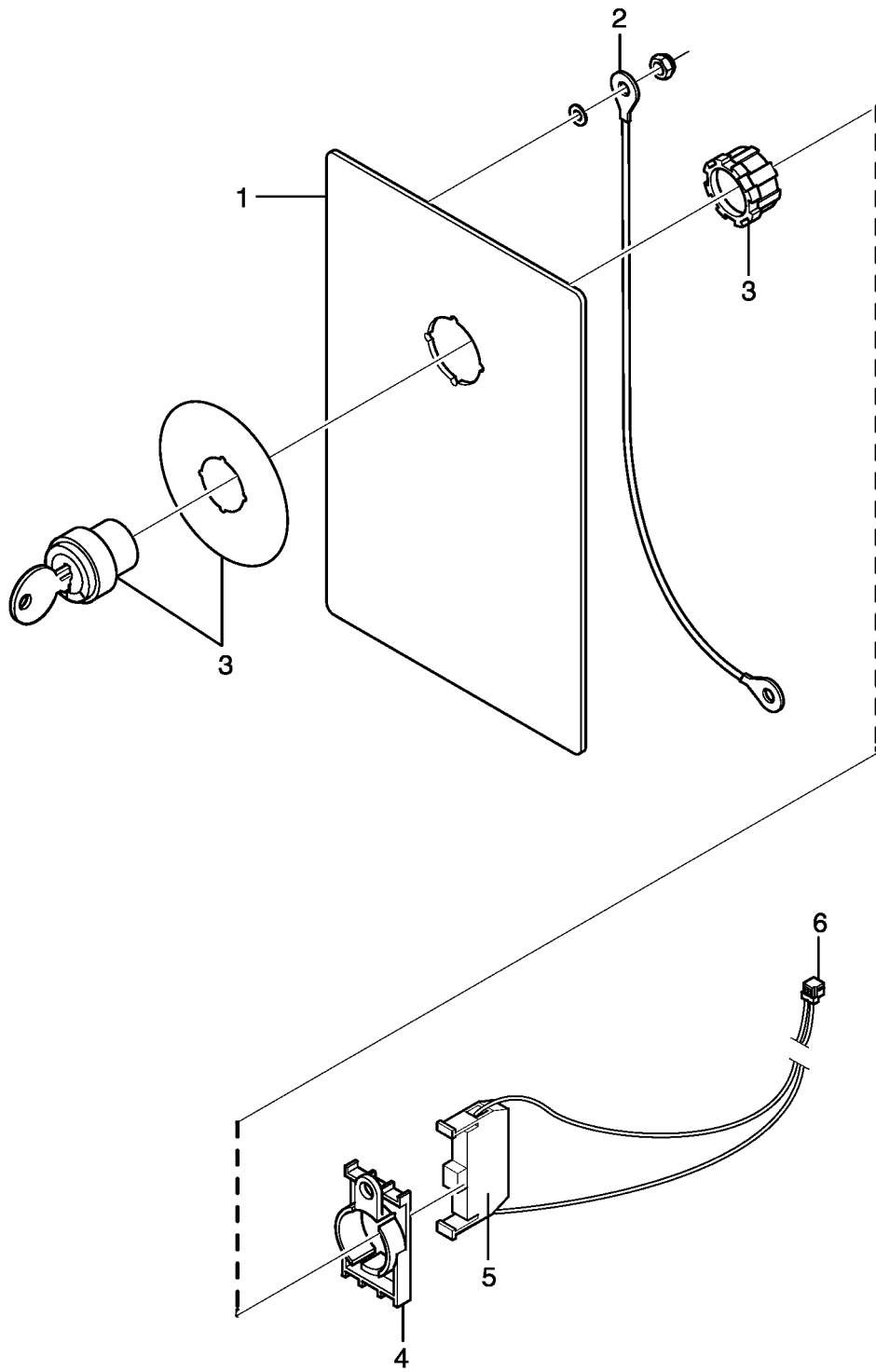
**W485S Compass**

**Compass control loader**

**Compass control loader**

Illustration	Issue	Month	Year
Illustration	Utgåva	Månad	År
<b>102486/1</b>	<b>1</b>	<b>12</b>	<b>2006</b>

Item Pos.	Qua. Ant.	Art.No Art.nr	Description	Benämning	Info Info	Notes Anmärkning
<b>1</b>	1		Compass control loader	Compass control loader	3	Complete
<b>2</b>	1	<b>413 2934-01</b>	•Cable	•Kabel	3	
<b>3</b>	1	<b>438 8793-01</b>	•Cable	•Kabel	3	Complete
<b>4</b>	1	<b>438 9210-60</b>	•CD-ROM	•CD-ROM	3	
<b>5</b>	1	<b>438 9212-90</b>	•User instructions	•Bruksanvisning	3	Swedish
	1	<b>438 9212-91</b>	•User instructions	•Bruksanvisning	3	English





**W4180S Compass**

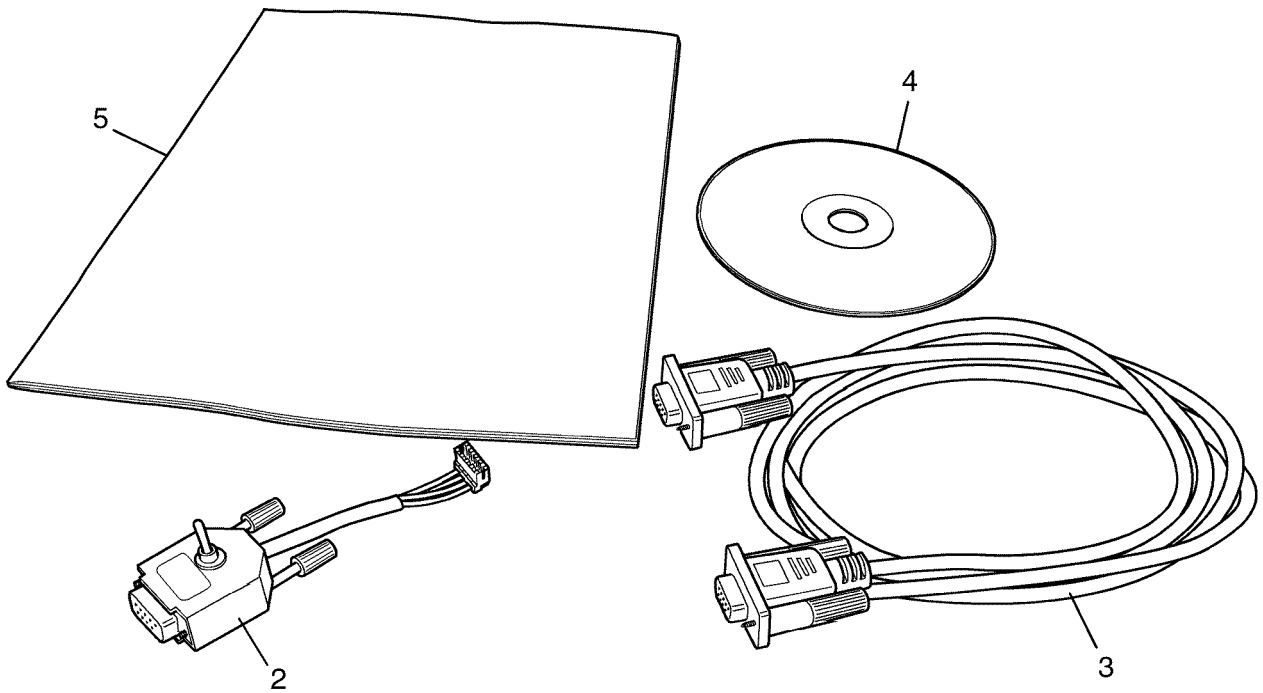
**Key switch**

**Nyckelbrytare**

Illustration	Issue	Month	Year
Illustration	Utgåva	Månad	År
<b>102663</b>	<b>1</b>	<b>3</b>	<b>2009</b>

Item Pos.	Qua. Ant.	Art.No Art.nr	Description	Benämning	Info Info	Notes Anmärkning
<b>1</b>	1	<b>432 2150-12</b>	Cover plate	Täckplåt	3	
<b>2</b>	1	<b>432 2982-20</b>	Cable set	Ledningssats	3	
<b>3</b>	1	<b>471 9628-85</b>	Key switch	Nyckelbrytare	1	
<b>4</b>	1	<b>471 9628-75</b>	Bracket	Hållare	1	
<b>5</b>	1	<b>471 9628-71</b>	Socket	Kontaktblock	1	NO Green
<b>6</b>	1	<b>413 3272-21</b>	Cable set	Ledningssats	3	

1



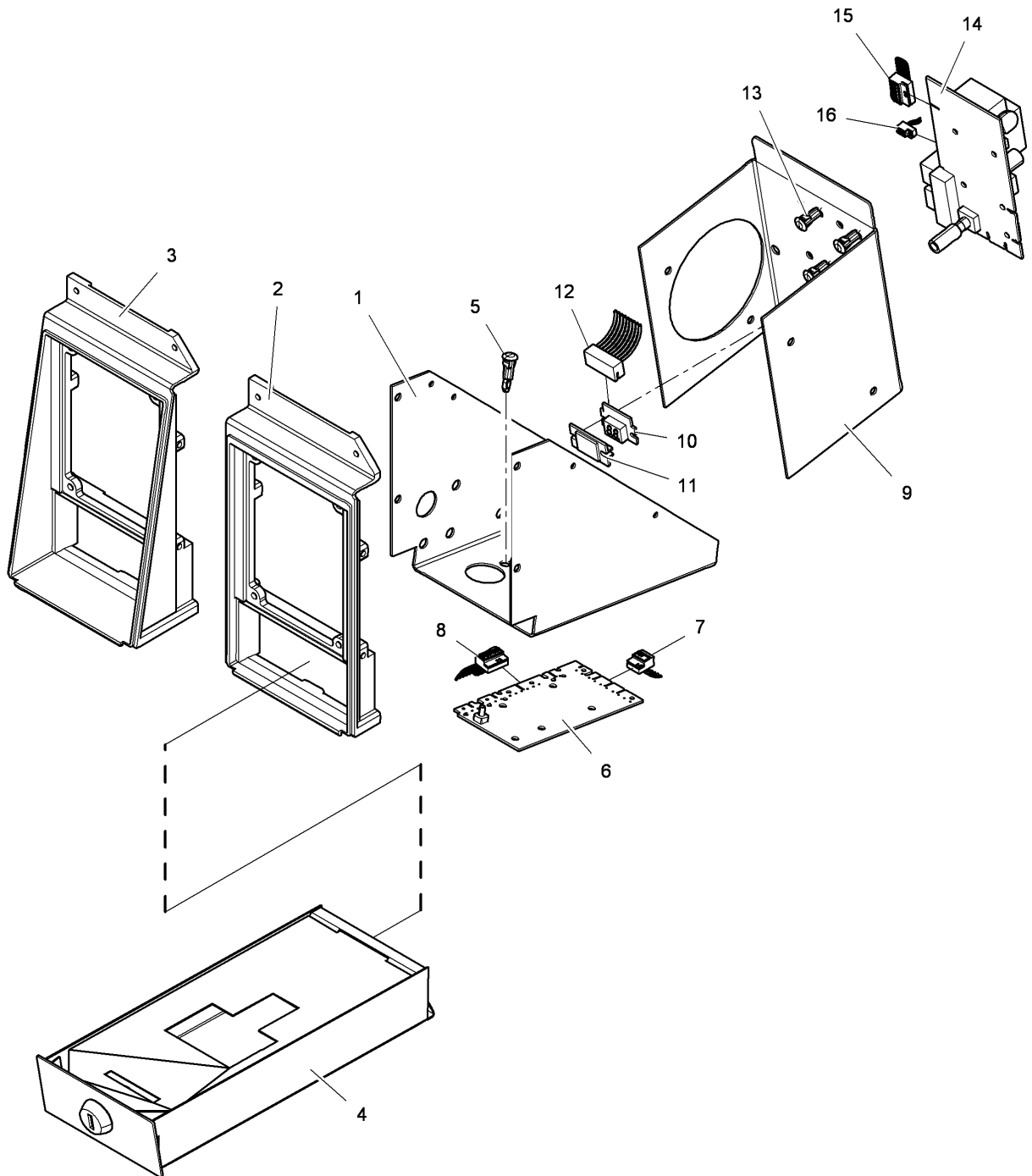
**W4180S Compass**

**Compass control loader**

**Compass control loader**

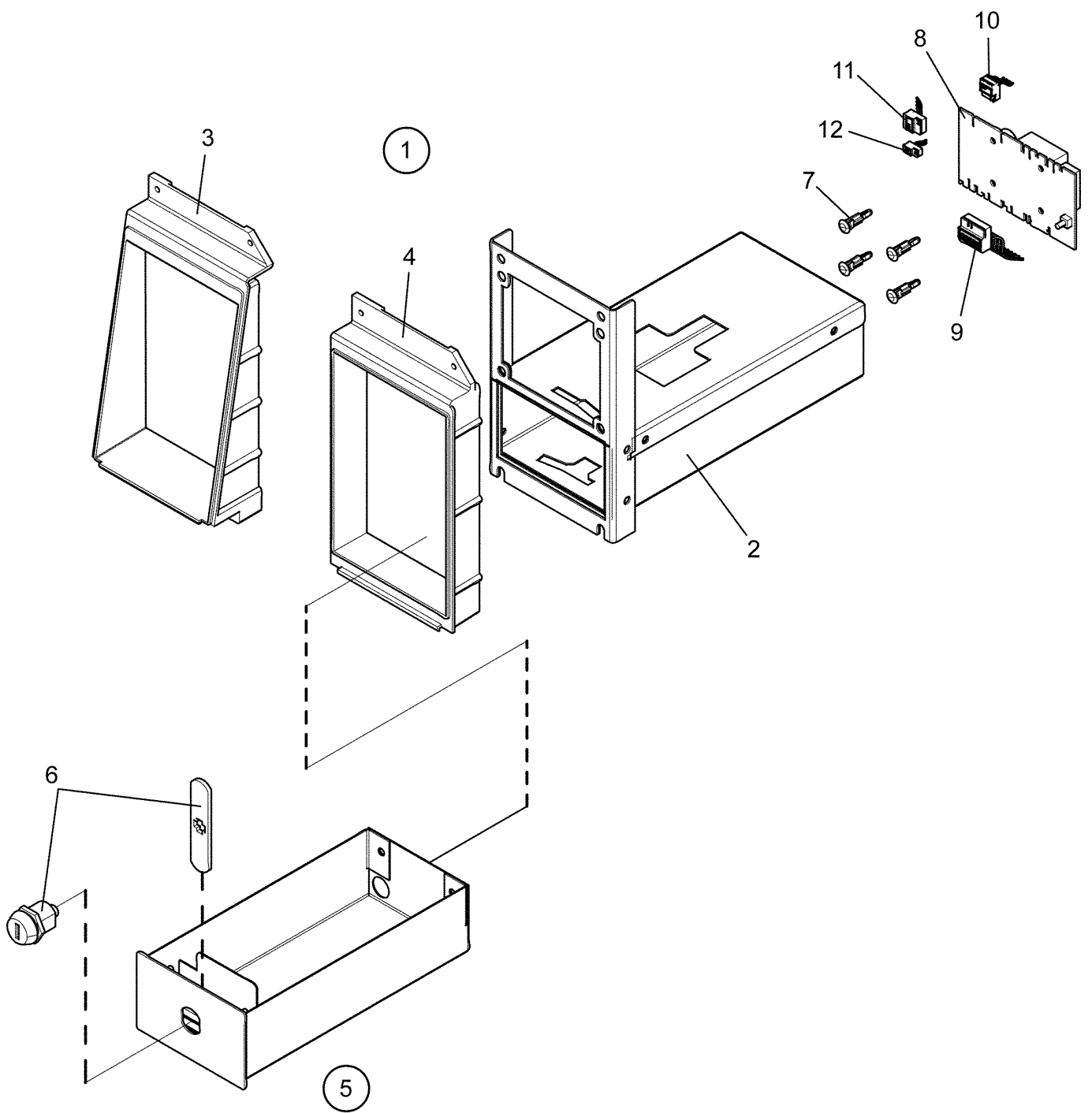
Illustration	Issue	Month	Year
Illustration	Utgåva	Månad	År
<b>102486/1</b>	<b>1</b>	<b>12</b>	<b>2006</b>

Item Pos.	Qua. Ant.	Art.No Art.nr	Description	Benämning	Info Info	Notes Anmärkning
<b>1</b>	1		Compass control loader	Compass control loader	3	Complete
<b>2</b>	1	<b>413 2934-01</b>	•Cable	•Kabel	3	
<b>3</b>	1	<b>438 8793-01</b>	•Cable	•Kabel	3	Complete
<b>4</b>	1	<b>438 9210-60</b>	•CD-ROM	•CD-ROM	3	
<b>5</b>	1	<b>438 9212-90</b>	•User instructions	•Bruksanvisning	3	Swedish
	1	<b>438 9212-91</b>	•User instructions	•Bruksanvisning	3	English



**W485S Compass,W4105S Compass,W4130S Compass,W4180S Compass,W4250S Compass,W4330S Compass****Coin box**Illustration Issue Month Year  
Illustration Utgåva Månad År**Myntlåda****500115 2 9 2011**

Item Pos.	Qua. Ant.	Art.No Art.nr	Description	Benämning	Info Info	Notes Anmärkning
1	1	432 2185-02	Bracket	Konsol	3	
2	1	432 2174-12	Frame	Ram	3	
3	1	432 2175-12	Frame	Ram	3	
4	1	432 2203-21	Coin box	Myntlåda	3	Complete
	1	432 2203-22	Coin box	Myntlåda	3	Japan Complete
5	4	471 7958-02	Support	Stöd	3	
6	1	438 8790-01	Printed circuit board	Kretskort	1,2	PW9
	1	438 8775-01	Printed circuit board	Kretskort	1,2	
	1	438 8775-02	Printed circuit board	Kretskort	1,2	230V Blocking Electronic coin meter
	1	438 8775-07	Printed circuit board	Kretskort	1,2	9V Blocking Electronic coin meter
7	1	432 3094-01	Cable set	Ledningssats	3	PW9
8	1	413 3276-01	Cable set	Ledningssats	3	6-pole
9	1	432 2300-01	Bracket	Konsol	3	Classic Control
10	1	438 8778-12	Printed circuit board	Kretskort	1,2	Classic Control
11	1	438 8921-90	Display	Display	1,2	Classic Control
12	1	413 3279-01	Cable set	Ledningssats	3	9-POLE Classic Control
13	5	471 7960-02	Support	Stöd	3	Classic Control
14	1	438 8778-01	Coin counter	Mynträknare	1,2	230V Classic Control
	1	438 8778-02	Coin counter	Mynträknare	1,2	120V Classic Control
15	1	432 3096-15	Cable set	Ledningssats	3	Classic Control
16	1	432 3192-71	Cable set	Ledningssats	3	2-pole Classic Control



**W485S Compass,W4105S Compass,W4130S Compass,W4180S Compass,W4250S Compass,W4330S Compass**

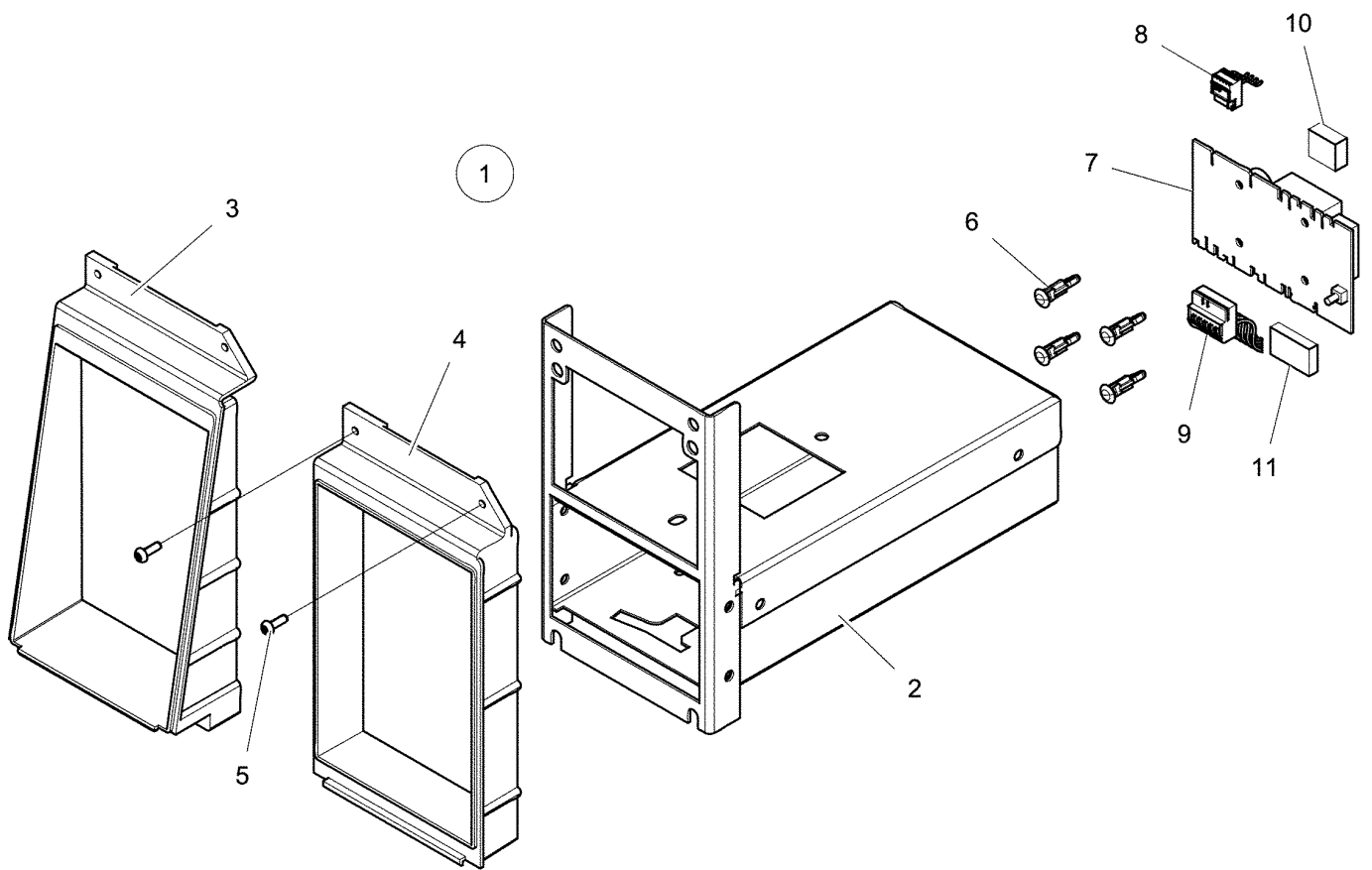
**Coin box**

Illustration Issue Month Year  
Illustration Utgåva Månad År

**Myntlåda**

**500109 4 4 2014**

Item Pos.	Qua. Ant.	Art.No Art.nr	Description	Benämning	Info Info	Notes Anmärkning
<b>1</b>	1	<b>432 2234-12</b>	Coinbox housing	Mynthus	3	Complete Slanted panel
	1	<b>432 2234-02</b>	Coinbox housing	Mynthus	3	Complete Vertical panel
<b>2</b>	1	<b>432 2231-02</b>	•Coinbox housing	•Mynthus	3	
<b>3</b>	1	<b>432 2268-01</b>	•Frame	•Ram	3	
<b>4</b>	1	<b>432 2173-02</b>	•Frame	•Ram	3	
<b>5</b>	1	<b>432 2233-01</b>	Coin box	Myntlåda	3	Complete Random key
<b>6</b>	1	<b>472 9919-30</b>	•Lock	•Lås	3	Random key
	1	<b>472 9919-31</b>	•Lock	•Lås	3	Key 46080
	1	<b>472 9919-32</b>	•Lock	•Lås	3	Key 46199
	1	<b>472 9919-33</b>	•Lock	•Lås	3	Key 46819
<b>7</b>	4	<b>471 7960-02</b>	Support	Stöd	3	
<b>8</b>	1	<b>438 8775-01</b>	Printed circuit board	Kretskort	3	
	1	<b>438 8775-07</b>	Printed circuit board	Kretskort	3	9V Blocking Electronic coin meter
	1	<b>438 8790-03</b>	Printed circuit board	Kretskort	3	PW 9
<b>9</b>	1	<b>413 3276-01</b>	Cable set	Ledningssats	3	6-pole
	1	<b>432 3096-15</b>	Cable set	Ledningssats	3	PW 9
<b>10</b>	1	<b>413 3084-09</b>	Cable set	Ledningssats	3	4-pole
<b>11</b>	1	<b>432 3094-01</b>	Cable set	Ledningssats	3	PW9
<b>12</b>	1	<b>432 3092-10</b>	Cable set	Ledningssats	3	2-pole PW 9





**W485S Compass,W4105S Compass,W4130S Compass,W4180S Compass,W4250S Compass,W4330S Compass**

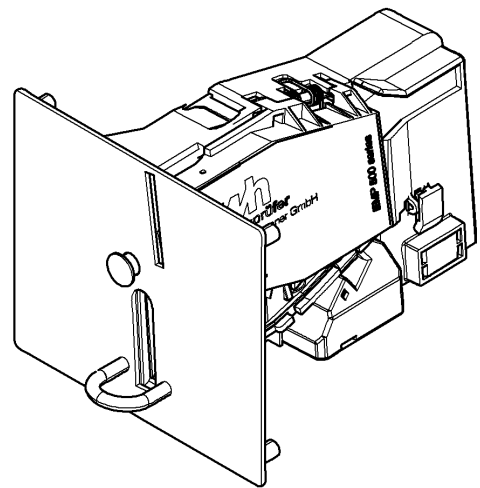
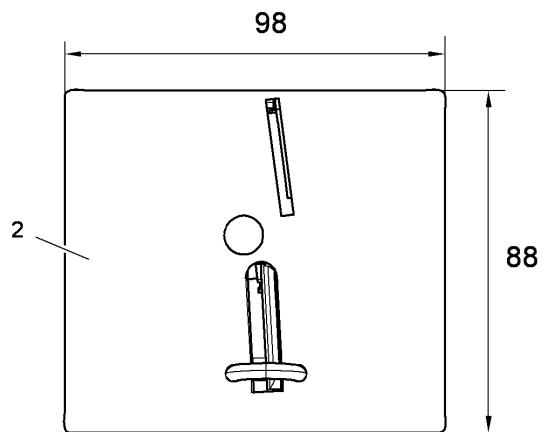
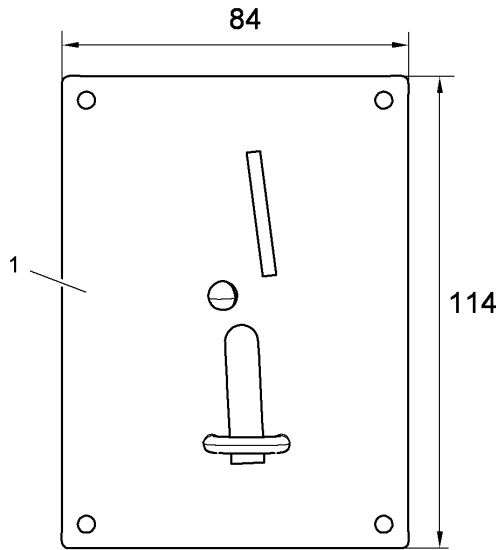
**Coinbox USA**

Illustration Issue Month Year  
Illustration Utgåva Månad År

**Myntlåda USA**

**500110 2 1 2011**

Item Pos.	Qua. Ant.	Art.No Art.nr	Description	Benämning	Info Info	Notes Anmärkning
<b>1</b>	1	<b>432 2234-32</b>	Coin box	Myntlåda	3	Complete Slanted panel
	1	<b>432 2234-22</b>	Coin box	Myntlåda	3	Complete Vertical panel
<b>2</b>	1	<b>432 2231-11</b>	•Coin box	•Myntlåda	3	
<b>3</b>	1	<b>432 2268-01</b>	•Frame	•Ram	3	
<b>4</b>	1	<b>432 2173-02</b>	•Frame	•Ram	3	
<b>5</b>	2	<b>471 8376-01</b>	•Screw	•Skruv	1,2	M4X12
	1	<b>471 8376-99</b>	Tool	Verktyg	3	Tool for 471837601
<b>6</b>	4	<b>471 7960-02</b>	Support	Stöd	3	
<b>7</b>	1	<b>438 8775-01</b>	Printed circuit board	Kretskort	1,2	
<b>8</b>	1	<b>413 3084-09</b>	Cable set	Ledningssats	3	4-pole
<b>9</b>	1	<b>413 3276-01</b>	Cable set	Ledningssats	3	6-pole
<b>10</b>	1	<b>438 8701-04</b>	Frame	Ram	3	2-pole
	1	<b>438 8701-03</b>	Multistik	Kantanslutning	3	2-pole
<b>11</b>	1	<b>438 8701-02</b>	Frame	Ram	3	3-pole
	1	<b>438 8701-01</b>	Multistik	Kantanslutning	3	3-pole



**W485S Compass,W4105S Compass,W4130S Compass,W4180S Compass,W4250S Compass,W4330S Compass**

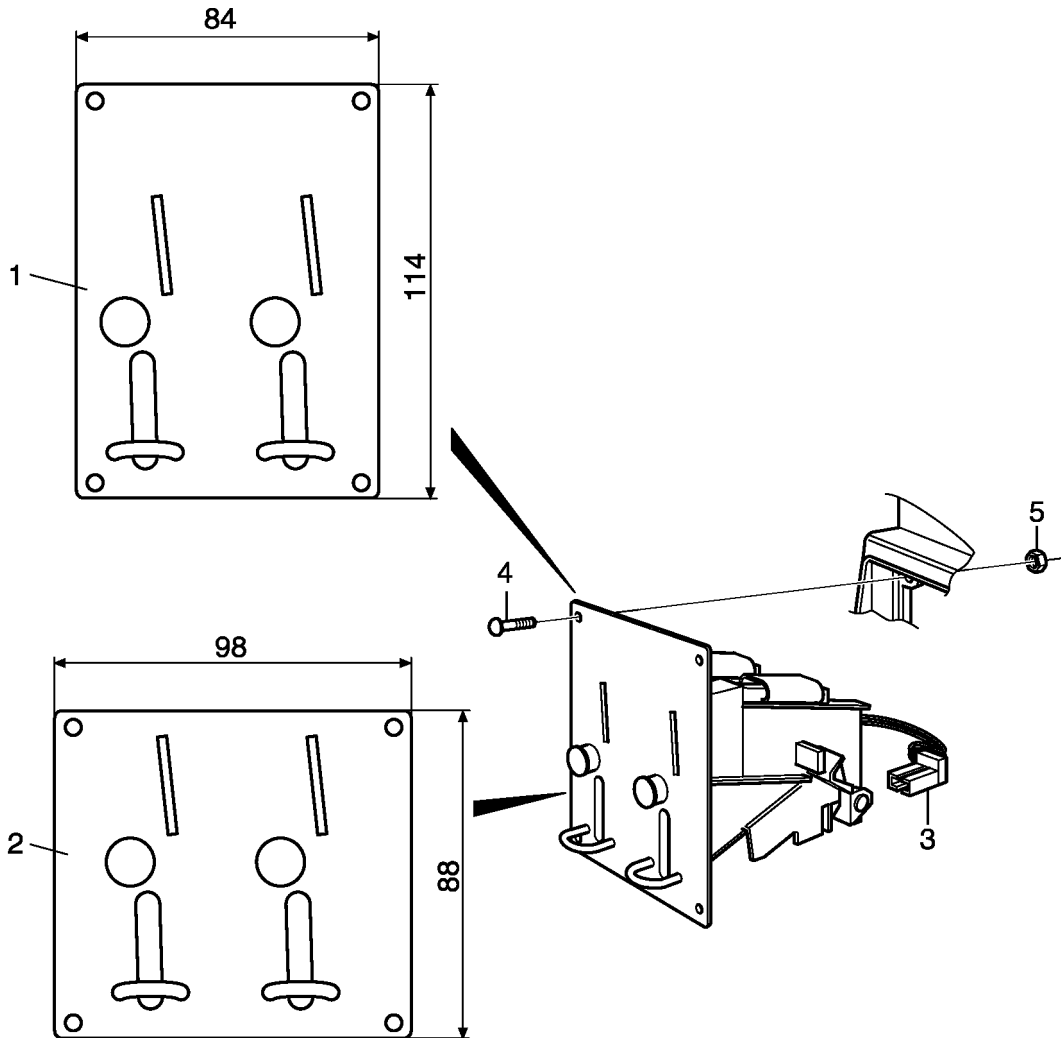
**Electronic coin meter**

Illustration Issue Month Year  
Illustration Utgåva Månad År

**Elektronisk myntmätare**

**500114 5 9 2011**

Item Pos.	Qua. Ant.	Art.No Art.nr	Description	Benämning	Info Info	Notes Anmärkning
<b>1</b>	1	<b>438 8920-01</b>	Coin meter	Myntmätare	3	2 Coins, 100+500 JPY 230V Blocking
	1	<b>438 8920-11</b>	Coin meter	Myntmätare	3	2 Coins, 100+500 JPY 9V Blocking
<b>2</b>	1	<b>438 8920-02</b>	Coin meter	Myntmätare	3	2 Coins, 0,5+1 NZD
	1	<b>438 8930-01</b>	Coin meter	Myntmätare	3	JPY+WON
	1	<b>438 8930-02</b>	Coin meter	Myntmätare	3	NZD+AUD
	1	<b>438 8930-03</b>	Coin meter	Myntmätare	3	EUR+DKK+NOK
	1	<b>438 8930-04</b>	Coin meter	Myntmätare	3	EUR+SEK
	1	<b>438 8930-05</b>	Coin meter	Myntmätare	3	HKD+TWD
	1	<b>438 8930-06</b>	Coin meter	Myntmätare	3	MOP+MYR+SGD
	1	<b>438 8930-07</b>	Coin meter	Myntmätare	3	CHF+CZK+LTL
	1	<b>438 8930-08</b>	Coin meter	Myntmätare	3	AED+ZAR+ILS
	1	<b>438 8930-09</b>	Coin meter	Myntmätare	3	GBP+EUR
	1	<b>438 8930-10</b>	Coin meter	Myntmätare	3	PLN+EUR
	1	<b>438 8930-11</b>	Coin meter	Myntmätare	3	EUR+Tokens
1	<b>438 8930-12</b>	Coin meter	Myntmätare	3	CNY	



**W485S Compass,W4105S Compass,W4130S Compass,W4180S Compass,W4250S Compass,W4330S Compass**

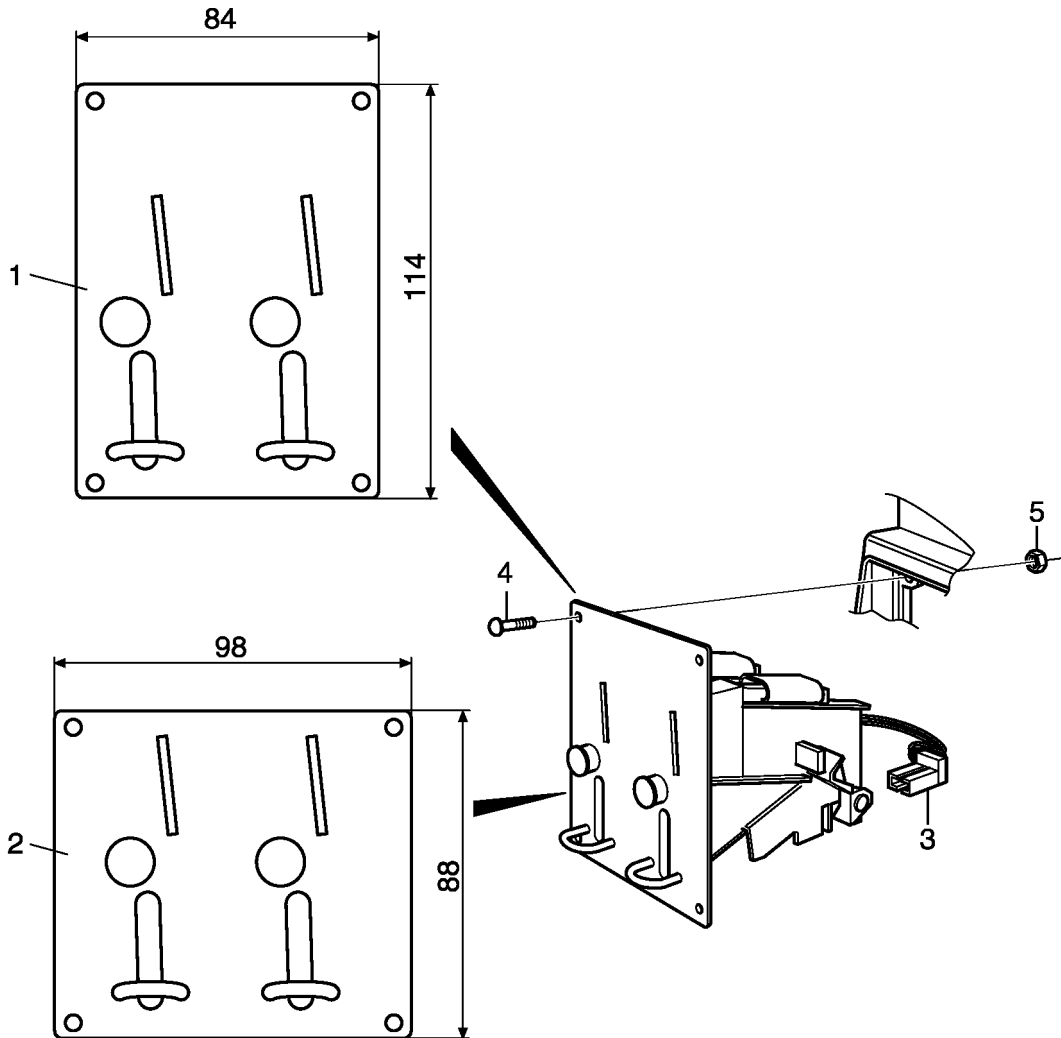
**Coin meter**

Illustration Issue Month Year  
Illustration Utgåva Månad År

**Myntmätare**

**102672 6 1 2012**

Item Pos.	Qua. Ant.	Art.No Art.nr	Description	Benämning	Info Info	Notes Anmärkning
<b>1</b>	1	<b>438 8923-01</b>	Coin meter	Myntmätare	3	1 Coin, 0,25 USD
	1	<b>438 8923-03</b>	Coin meter	Myntmätare	3	1 Coin, 100 JPY
	1	<b>438 8923-04</b>	Coin meter	Myntmätare	3	2 Coins, 0,5+1 EUR
	1	<b>438 8923-05</b>	Coin meter	Myntmätare	3	2 Coins, 0,2 + 1 GBP
	1	<b>438 8923-06</b>	Coin meter	Myntmätare	3	2 Coins, 1+5 DKK
	1	<b>438 8923-07</b>	Coin meter	Myntmätare	3	2 Coins, 10+50 TWD
	1	<b>438 8923-09</b>	Coin meter	Myntmätare	3	2 Coins, 1+10 DKK
	1	<b>438 8923-10</b>	Coin meter	Myntmätare	3	2 Coins, 2+5 DKK
	1	<b>438 8923-11</b>	Coin meter	Myntmätare	3	2 Coins, 2+10 DKK
	1	<b>438 8923-12</b>	Coin meter	Myntmätare	3	2 Coins, 5+10 DKK
	1	<b>438 8923-13</b>	Coin meter	Myntmätare	3	2 Coins, 1+5 NOK
	1	<b>438 8923-14</b>	Coin meter	Myntmätare	3	2 Coins, 1+10 NOK
	1	<b>438 8923-15</b>	Coin meter	Myntmätare	3	2 Coins, 5+10 NOK
	1	<b>438 8923-16</b>	Coin meter	Myntmätare	3	2 Coins, 10+20 NOK
	1	<b>438 8923-20</b>	Coin meter	Myntmätare	3	2 Coins, 1+5 HKD
	1	<b>438 8923-22</b>	Coin meter	Myntmätare	3	2 Coins, 0,2+1 AUD
	1	<b>438 8924-04</b>	Coin meter	Myntmätare	3	2 Coins, 1+1 AUD
	1	<b>438 8923-23</b>	Coin meter	Myntmätare	3	2 Coins, 0,1+0,5 EUR
	1	<b>438 8923-25</b>	Coin meter	Myntmätare	3	2 Coins, 0,2+1 EUR
	1	<b>438 8923-26</b>	Coin meter	Myntmätare	3	2 Coins, 1+2 EUR
	1	<b>438 8923-27</b>	Coin meter	Myntmätare	3	2 Coins, 0,2+2 EUR
	1	<b>438 8923-29</b>	Coin meter	Myntmätare	3	TOKEN MENCH Ø25,78x2,34
	1	<b>438 8923-31</b>	Coin meter	Myntmätare	3	1 Coin, 1 AED
	1	<b>438 8923-32</b>	Coin meter	Myntmätare	3	1 Coin, 1 AUD
	1	<b>438 8923-35</b>	Coin meter	Myntmätare	3	1 Coin, 2 DKK
	1	<b>438 8923-36</b>	Coin meter	Myntmätare	3	1 Coin, 10 DKK
	1	<b>438 8923-37</b>	Coin meter	Myntmätare	3	1 Coin, 0,1 EUR
	1	<b>438 8923-38</b>	Coin meter	Myntmätare	3	1 Coin, 0,2 EUR
	1	<b>438 8923-39</b>	Coin meter	Myntmätare	3	1 Coin, 0,5 EUR
	1	<b>438 8923-40</b>	Coin meter	Myntmätare	3	1 Coin, 1 EUR
	1	<b>438 8923-42</b>	Coin meter	Myntmätare	3	1 Coin, 1 MACAUDOLLAR
	1	<b>438 8923-43</b>	Coin meter	Myntmätare	3	1 Coin, 5 HKD
	1	<b>438 8923-45</b>	Coin meter	Myntmätare	3	1 Coin, 500 WON
	1	<b>438 8923-48</b>	Coin meter	Myntmätare	3	1 Coin, 1 SEK
	1	<b>438 8923-49</b>	Coin meter	Myntmätare	3	1 Coin, 5 SEK
	1	<b>438 8923-52</b>	Coin meter	Myntmätare	3	1 Coin, 1 SGD
	1	<b>438 8923-53</b>	Coin meter	Myntmätare	3	1 Coin, 10 TWD
	1	<b>438 8923-55</b>	Coin meter	Myntmätare	3	1 Coin, 1 NOK
	1	<b>438 8923-57</b>	Coin meter	Myntmätare	3	1 Coin, 10 NOK
	1	<b>438 8923-59</b>	Coin meter	Myntmätare	3	TOKEN 25,7x1,6
	1	<b>438 8923-60</b>	Coin meter	Myntmätare	3	TOKEN 26,0x2,1
	1	<b>438 8923-68</b>	Coin meter	Myntmätare	3	TOKEN 26,3x1,9
	1	<b>438 8923-76</b>	Coin meter	Myntmätare	3	TOKEN 25,0x2,0
	1	<b>438 8923-78</b>	Coin meter	Myntmätare	3	TOKEN 23,5x1,7
	1	<b>438 8923-79</b>	Coin meter	Myntmätare	3	TOKEN 25,8x1,7
	1	<b>438 8923-81</b>	Coin meter	Myntmätare	3	TOKEN 27,4x1,6
	1	<b>438 8923-82</b>	Coin meter	Myntmätare	3	TOKEN 25,0x1,8
	1	<b>438 8923-83</b>	Coin meter	Myntmätare	3	TOKEN 24,3x1,5
	1	<b>438 8923-85</b>	Coin meter	Myntmätare	3	TOKEN 22,5x1,5
	1	<b>438 8923-86</b>	Coin meter	Myntmätare	3	TOKEN 27,0x1,6
	1	<b>438 8923-87</b>	Coin meter	Myntmätare	3	TOKEN 24,3x1,5
	1	<b>438 8923-88</b>	Coin meter	Myntmätare	3	TOKEN 23,7x1,6
	1	<b>438 8923-89</b>	Coin meter	Myntmätare	3	TOKEN 19,0x1,0
	1	<b>438 8923-90</b>	Coin meter	Myntmätare	3	TOKEN 19,0x1,5
	1	<b>438 8923-91</b>	Coin meter	Myntmätare	3	TOKEN 22,35x1,6
	1	<b>438 8923-94</b>	Coin meter	Myntmätare	3	TOKEN MIELE
	1	<b>438 8923-95</b>	Coin meter	Myntmätare	3	1 Coin, 5 DKK
	1	<b>438 8923-96</b>	Coin meter	Myntmätare	3	2 Coins, 1+2 AUD
	1	<b>438 8924-05</b>	Coin meter	Myntmätare	3	2 Coins, 2+2 AUD



## W485S Compass,W4105S Compass,W4130S Compass,W4180S Compass,W4250S Compass,W4330S Compass

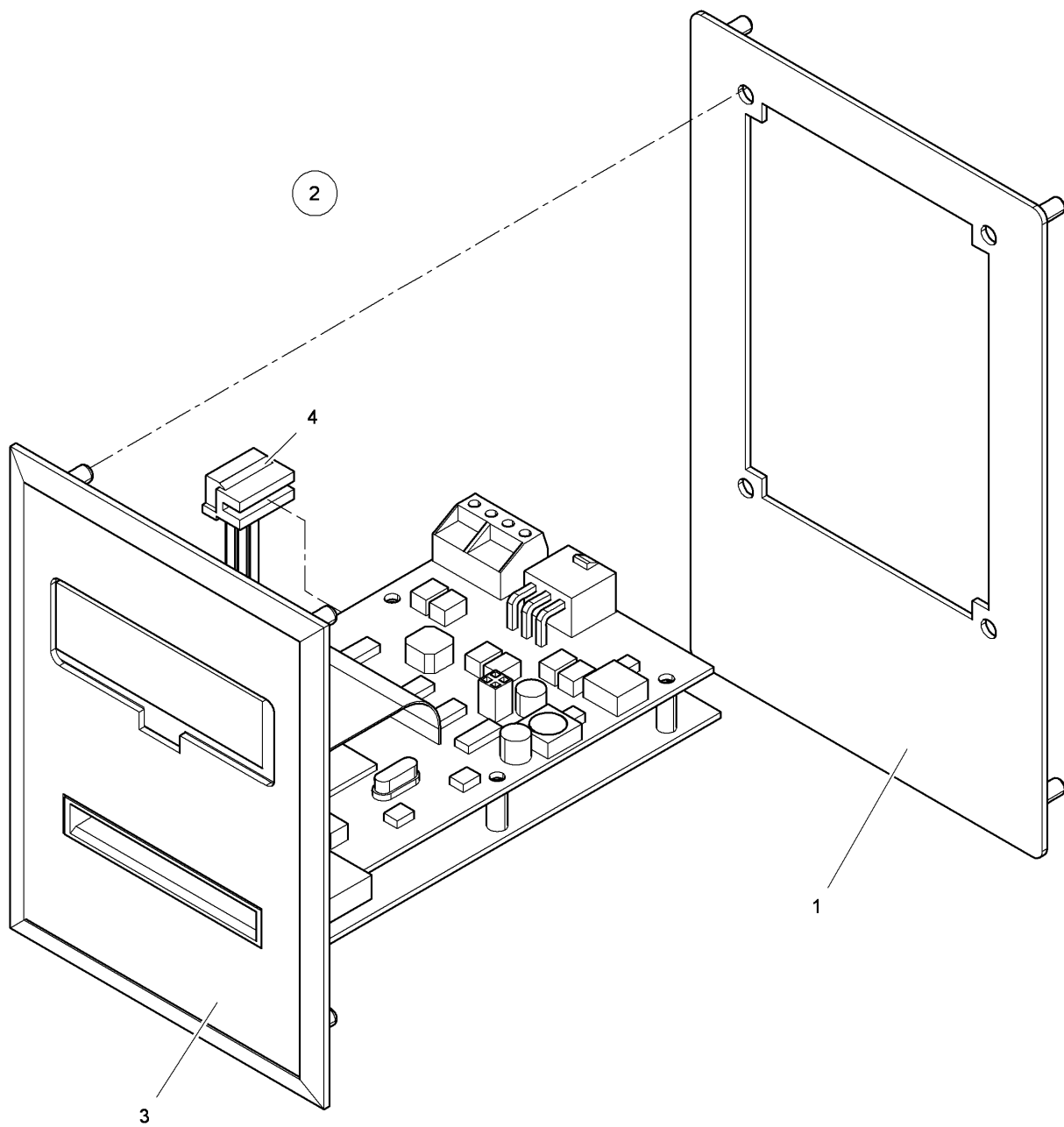
## Coin meter

Illustration Issue Month Year  
Illustration Utgåva Månad År

## Myntmätare

102672 6 1 2012

Item Pos.	Qua. Ant.	Art.No Art.nr	Description	Benämning	Info Info	Notes Anmärkning
2	1	438 8923-97	Coin meter	Myntmätare	3	1 Coin, 2 EUR
	1	438 8923-98	Coin meter	Myntmätare	3	TOKEN 32,0x2,0
	1	438 8924-01	Coin meter	Myntmätare	3	2 Coins, 1+5 LTL
	1	438 8924-03	Coin meter	Myntmätare	3	2 Coins, 1+2 CHF
	1	438 8931-59	Coin meter	Myntmätare	3	TOKEN 25,7x1,6
	1	438 8931-60	Coin meter	Myntmätare	3	TOKEN 26,0x2,1
	1	438 8931-75	Coin meter	Myntmätare	3	TOKEN 22,0x1,6
	1	438 8931-76	Coin meter	Myntmätare	3	TOKEN 25,0x2,0
	1	438 8931-78	Coin meter	Myntmätare	3	TOKEN 23,5x1,7
	1	438 8931-79	Coin meter	Myntmätare	3	TOKEN 25,8x1,7
	1	438 8931-81	Coin meter	Myntmätare	3	TOKEN 27,4x1,6
	1	438 8931-82	Coin meter	Myntmätare	3	TOKEN 25,0x1,8
	1	438 8931-85	Coin meter	Myntmätare	3	TOKEN 22,5x1,5
	1	438 8931-86	Coin meter	Myntmätare	3	TOKEN 27,0x1,6
	1	438 8931-87	Coin meter	Myntmätare	3	TOKEN 24,3x1,5
	1	438 8931-88	Coin meter	Myntmätare	3	TOKEN 23,7x1,6
	1	438 8931-89	Coin meter	Myntmätare	3	TOKEN 19,0x1,0
	1	438 8931-90	Coin meter	Myntmätare	3	TOKEN 19,0x1,5
	1	438 8931-91	Coin meter	Myntmätare	3	TOKEN 22,35x1,6
3	Rq	438 8924-99	•Sensor	•Sensor	1,2	
4	4	471 8910-90	Screw	Skruv	3	
5	4	731 2312-01	Nut	Mutter	3	M4





**W485S Compass,W4105S Compass,W4130S Compass,W4180S Compass,W4250S Compass,W4330S Compass**

**Single system**

Illustration Issue Month Year  
Illustration Utgåva Månad År

**Single system**

**500113 2 11 2009**

Item Pos.	Qua. Ant.	Art.No Art.nr	Description	Benämning	Info Info	Notes Anmärkning
1	1	432 2150-13	Cover plate	Täckplåt	3	
2	1	488 8039-10	Single system	Single system	1	
3	1	488 8038-17	•Sign	•Skylt	3	
4	1	413 3274-51	Cable set	Ledningssats	3	



Numerical index/Nummerregister

Art.No/Art.nr	Page/Sida	Art.No/Art.nr	Page/Sida	Art.No/Art.nr	Page/Sida	Art.No/Art.nr	Page/Sida
413 1211-01	33	413 2934-01	83	413 3182-16	57	432 1451-02	23
413 1212-01	33	413 2934-01	87	413 3182-16	59	432 1453-01	23
413 1213-01	33	413 2934-01	91	413 3182-17	59	432 1455-01	33
413 1214-01	33	413 2934-01	95	413 3184-16	75	432 1465-01	33
413 2200-31	7	413 2934-01	99	413 3272-04	25	432 1500-21	29
413 2200-41	7	413 2946-01	45	413 3272-10	33	432 1501-01	29
413 2200-51	7	413 2965-01	25	413 3272-11	25	432 1501-02	29
413 2200-61	7	413 2965-02	25	413 3272-16	33	432 1501-11	29
413 2200-71	7	413 2965-03	25	413 3272-19	75	432 1501-12	29
413 2201-04	11	413 2965-04	25	413 3272-21	77	432 1502-11	29
413 2201-05	11	413 2965-05	25	413 3272-21	81	432 1502-12	29
413 2201-06	11	413 2965-11	25	413 3272-21	85	432 1503-11	29
413 2201-07	11	413 2965-12	25	413 3272-21	89	432 1503-12	29
413 2201-09	9	413 2965-13	25	413 3272-21	93	432 1504-21	29
413 2201-13	9	413 2965-22	25	413 3272-21	97	432 1540-01	31
413 2201-15	9	413 2965-23	25	413 3272-24	25	432 1541-01	31
413 2201-18	11	413 2965-24	25	413 3272-25	25	432 1542-01	31
413 2201-20	11	413 2965-25	25	413 3272-26	33	432 1543-01	31
413 2201-31	11	413 2990-03	33	413 3274-01	43	432 1544-01	31
413 2201-32	11	413 2990-04	33	413 3274-03	45	432 1545-01	31
413 2201-33	11	413 2990-05	33	413 3274-05	39	432 1546-01	31
413 2602-11	15	413 3082-05	45	413 3274-06	39	432 1547-01	31
413 2603-11	15	413 3082-21	55	413 3274-07	39	432 1548-01	31
413 2604-11	15	413 3082-29	55	413 3274-08	39	432 1549-01	31
413 2605-11	15	413 3082-30	55	413 3274-13	39	432 1550-01	31
413 2606-11	15	413 3082-32	55	413 3274-14	39	432 1551-01	31
413 2609-11	15	413 3082-34	55	413 3274-15	39	432 1552-01	31
413 2611-03	15	413 3082-35	43	413 3274-17	39	432 1553-01	31
413 2611-04	15	413 3084-02	45	413 3274-18	39	432 1554-01	31
413 2611-12	15	413 3084-09	39	413 3274-20	39	432 1560-01	31
413 2611-13	15	413 3084-09	103	413 3274-21	39	432 1561-01	31
413 2611-22	15	413 3084-09	105	413 3274-51	113	432 1562-01	31
413 2611-23	15	413 3084-10	37	413 3275-02	39	432 1563-01	31
413 2611-32	15	413 3084-16	39	413 3276-01	101	432 1564-01	31
413 2611-33	15	413 3084-17	39	413 3276-01	103	432 1565-01	31
413 2611-42	15	413 3084-18	39	413 3276-01	105	432 1566-01	31
413 2611-43	15	413 3084-19	39	413 3279-01	101	432 1567-01	31
413 2611-58	15	413 3084-21	37	413 3280-01	39	432 1568-01	31
413 2611-59	15	413 3084-23	37	413 3704-10	27	432 1569-01	31
413 2611-66	15	413 3084-25	45	413 3704-11	27	432 1570-21	29
413 2611-67	15	413 3084-26	37	413 3704-12	27	432 1570-22	29
413 2611-74	15	413 3084-27	37	413 4012-01	17	432 1570-23	29
413 2611-75	15	413 3086-07	51	413 4015-62	23	432 1571-01	29
413 2902-02	67	413 3086-08	51	413 4112-01	17	432 1571-02	29
413 2902-04	67	413 3086-08	53	413 4115-61	23	432 1571-03	29
413 2902-06	67	413 3086-09	51	413 4115-62	23	432 1571-11	29
413 2902-08	67	413 3086-10	51	413 4212-01	17	432 1571-12	29
413 2902-10	67	413 3086-10	53	413 4212-02	17	432 1571-13	29
413 2903-03	69	413 3088-07	49	413 4215-61	23	432 1572-11	29
413 2903-05	69	413 3088-07	53	413 4312-01	17	432 1572-12	29
413 2905-02	43	413 3088-07	55	413 4312-02	17	432 1572-13	29
413 2909-01	45	413 3088-08	55	413 4315-62	23	432 1573-11	29
413 2915-01	13	413 3088-08	57	413 4415-61	23	432 1573-12	29
413 2915-02	13	413 3088-08	59	413 5003-01	61	432 1573-13	29
413 2915-02	43	413 3088-10	53	413 5005-01	7	432 1574-31	29
413 2918-01	35	413 3088-10	57	413 5007-01	9	432 1574-32	29
413 2918-02	35	413 3088-10	59	413 5009-01	9	432 1574-33	29
413 2918-03	35	413 3182-02	43	413 9701-21	33	432 1605-41	29
413 2918-04	35	413 3182-09	57	432 1220-01	45	432 1606-01	29
413 2918-05	35	413 3182-09	59	432 1229-01	33	432 1606-03	29
413 2918-06	35	413 3182-10	57	432 1295-01	25	432 1606-21	29
413 2918-07	35	413 3182-10	59	432 1338-01	25	432 1606-22	29
413 2918-08	35	413 3182-11	59	432 1363-01	25	432 1607-21	29
413 2918-09	35	413 3182-14	59	432 1419-01	25	432 1607-22	29
413 2922-01	25	413 3182-15	57	432 1421-01	25	432 1608-21	29
413 2934-01	79	413 3182-15	59	432 1451-01	23	432 1608-22	29

Numerical index/Nummerregister

Art.No/Art.nr	Page/Sida	Art.No/Art.nr	Page/Sida	Art.No/Art.nr	Page/Sida	Art.No/Art.nr	Page/Sida
432 1609-41	29	432 2130-08	9	432 2262-01	15	432 2533-01	69
432 1630-01	71	432 2131-05	9	432 2263-01	15	432 2534-01	67
432 1631-01	71	432 2131-06	9	432 2264-01	15	432 2537-01	67
432 1653-01	25	432 2131-07	9	432 2268-01	103	432 2538-01	69
432 1654-01	25	432 2150-11	15	432 2268-01	105	432 2548-01	67
432 1673-01	71	432 2150-12	75	432 2270-01	17	432 2620-02	19
432 1840-02	17	432 2150-12	77	432 2273-01	11	432 2620-03	19
432 1840-03	17	432 2150-12	81	432 2288-65	9	432 2620-04	19
432 1841-02	17	432 2150-12	85	432 2288-66	11	432 2620-12	19
432 1841-04	17	432 2150-12	89	432 2289-65	11	432 2647-21	15
432 1842-02	17	432 2150-12	93	432 2289-66	11	432 2647-23	15
432 1842-03	17	432 2150-12	97	432 2290-65	11	432 2647-24	15
432 1843-02	17	432 2150-13	113	432 2290-66	11	432 2647-26	15
432 1843-04	17	432 2154-01	43	432 2291-65	11	432 2647-30	15
432 1855-01	17	432 2173-02	103	432 2291-66	11	432 2648-11	15
432 1856-01	17	432 2173-02	105	432 2292-65	9	432 2648-12	15
432 1857-01	17	432 2174-12	101	432 2292-66	9	432 2648-13	15
432 1857-02	17	432 2175-12	101	432 2294-65	11	432 2648-20	15
432 1858-01	17	432 2180-01	11	432 2294-66	11	432 2648-21	15
432 1858-02	17	432 2182-01	7	432 2300-01	101	432 2648-22	15
432 1870-01	17	432 2182-02	7	432 2301-01	47	432 2905-06	21
432 1871-01	17	432 2182-03	7	432 2305-01	47	432 2905-07	39
432 1872-01	17	432 2182-04	7	432 2306-01	47	432 2905-08	21
432 1873-01	17	432 2185-02	101	432 2308-01	47	432 2905-08	39
432 1874-01	17	432 2198-01	27	432 2320-01	47	432 2905-10	21
432 1885-03	17	432 2198-02	19	432 2351-01	9	432 2905-10	39
432 1885-11	17	432 2198-02	27	432 2352-01	9	432 2905-12	21
432 1886-02	17	432 2199-01	43	432 2353-01	9	432 2905-12	41
432 1886-11	17	432 2199-03	43	432 2355-01	9	432 2905-14	21
432 1889-02	17	432 2199-05	43	432 2356-01	9	432 2905-14	41
432 1890-02	17	432 2200-03	7	432 2404-51	73	432 2925-01	37
432 1950-02	17	432 2200-30	7	432 2405-02	73	432 2950-02	25
432 1951-01	17	432 2200-33	7	432 2406-02	73	432 2953-10	25
432 1961-01	17	432 2200-38	7	432 2407-01	73	432 2954-03	43
432 1962-01	17	432 2200-40	7	432 2409-01	73	432 2954-13	43
432 2041-03	7	432 2200-43	7	432 2412-01	73	432 2954-14	43
432 2041-10	7	432 2200-48	7	432 2413-01	73	432 2954-26	69
432 2042-03	7	432 2200-50	7	432 2501-01	65	432 2961-01	37
432 2042-10	7	432 2200-53	7	432 2502-01	61	432 2977-01	25
432 2043-03	7	432 2200-58	7	432 2502-01	65	432 2982-10	67
432 2043-10	7	432 2200-60	7	432 2505-01	65	432 2982-20	75
432 2044-03	7	432 2200-63	7	432 2506-01	61	432 2982-20	77
432 2044-10	7	432 2200-68	7	432 2507-01	61	432 2982-20	81
432 2046-03	7	432 2200-70	7	432 2508-01	61	432 2982-20	85
432 2046-10	7	432 2200-98	7	432 2508-02	61	432 2982-20	89
432 2058-03	7	432 2203-21	101	432 2511-01	61	432 2982-20	93
432 2058-10	7	432 2203-22	101	432 2516-04	67	432 2982-20	97
432 2064-01	9	432 2215-01	11	432 2516-05	67	432 2983-03	43
432 2065-01	9	432 2231-02	103	432 2518-01	67	432 2983-04	43
432 2066-01	9	432 2231-11	105	432 2518-02	67	432 2984-01	43
432 2067-01	9	432 2233-01	103	432 2518-03	67	432 2985-01	25
432 2068-01	9	432 2234-02	103	432 2518-04	67	432 2991-02	33
432 2070-01	7	432 2234-12	103	432 2518-05	67	432 2998-01	25
432 2071-02	9	432 2234-22	105	432 2518-07	67	432 3058-01	71
432 2072-01	9	432 2234-32	105	432 2521-03	61	432 3075-01	45
432 2072-02	9	432 2246-01	9	432 2521-05	61	432 3076-01	45
432 2073-02	9	432 2246-02	9	432 2522-01	61	432 3092-10	103
432 2076-01	9	432 2247-01	9	432 2524-01	69	432 3092-86	43
432 2120-01	9	432 2248-01	9	432 2527-01	61	432 3094-01	101
432 2120-06	9	432 2249-01	9	432 2527-02	61	432 3094-01	103
432 2121-02	9	432 2256-01	43	432 2527-03	61	432 3096-15	101
432 2121-05	9	432 2257-01	43	432 2527-04	61	432 3096-15	103
432 2121-06	9	432 2258-01	43	432 2527-05	61	432 3106-01	43
432 2122-02	9	432 2259-01	11	432 2531-01	67	432 3182-41	61
432 2130-03	9	432 2260-01	15	432 2531-02	67	432 3182-43	61
432 2130-06	9	432 2261-01	15	432 2532-01	69	432 3192-71	101

Numerical index/Nummerregister

Art.No/Art.nr	Page/Sida	Art.No/Art.nr	Page/Sida	Art.No/Art.nr	Page/Sida	Art.No/Art.nr	Page/Sida
432 3604-01	45	438 8778-02	101	438 8923-89	109	438 9573-01	25
432 3604-02	45	438 8778-12	101	438 8923-90	109	438 9636-22	43
432 6318-01	11	438 8790-01	101	438 8923-91	109	438 9636-23	43
432 6320-01	43	438 8790-03	103	438 8923-94	109	438 9636-24	43
432 6323-01	45	438 8793-01	79	438 8923-95	109	438 9636-92	43
432 6324-01	39	438 8793-01	83	438 8923-96	109	438 9636-93	43
432 6325-01	39	438 8793-01	87	438 8923-97	111	438 9636-94	43
432 6326-01	39	438 8793-01	91	438 8923-98	111	438 9659-01	39
432 6327-01	39	438 8793-01	95	438 8924-01	111	438 9678-01	43
432 6344-02	39	438 8793-01	99	438 8924-03	111	438 9678-02	43
432 6345-01	41	438 8797-02	45	438 8924-04	109	438 9678-03	43
432 6805-06	43	438 8920-01	107	438 8924-05	109	438 9678-04	43
432 6902-04	39	438 8920-02	107	438 8924-99	111	438 9678-11	43
432 6902-06	39	438 8920-11	107	438 8930-01	107	438 9678-12	43
432 6903-02	45	438 8921-90	101	438 8930-02	107	438 9678-13	43
432 6930-03	43	438 8923-01	109	438 8930-03	107	438 9678-14	43
432 6933-02	45	438 8923-03	109	438 8930-04	107	438 9702-61	33
432 8702-03	39	438 8923-04	109	438 8930-05	107	438 9703-51	33
438 0051-01	65	438 8923-05	109	438 8930-06	107	438 9704-41	33
438 0052-01	65	438 8923-06	109	438 8930-07	107	438 9705-02	33
438 0053-01	65	438 8923-07	109	438 8930-08	107	438 9799-01	35
438 0054-01	65	438 8923-09	109	438 8930-09	107	438 9799-02	33
438 0055-01	65	438 8923-10	109	438 8930-10	107	438 9799-03	33
438 0056-03	47	438 8923-11	109	438 8930-11	107	438 9799-12	35
438 0056-04	47	438 8923-12	109	438 8930-12	107	471 2265-69	13
438 2440-02	41	438 8923-13	109	438 8931-59	111	471 2265-69	41
438 4062-01	17	438 8923-14	109	438 8931-60	111	471 2409-89	47
438 5022-01	69	438 8923-15	109	438 8931-75	111	471 2436-10	13
438 5040-01	63	438 8923-16	109	438 8931-76	111	471 2442-41	41
438 5109-02	7	438 8923-20	109	438 8931-78	111	471 2937-01	71
438 7950-01	45	438 8923-22	109	438 8931-79	111	471 4391-02	69
438 7950-02	45	438 8923-23	109	438 8931-81	111	471 4672-67	7
438 8102-06	61	438 8923-25	109	438 8931-82	111	471 4673-93	45
438 8115-01	19	438 8923-26	109	438 8931-85	111	471 4673-95	39
438 8115-02	19	438 8923-27	109	438 8931-86	111	471 4673-97	39
438 8115-03	19	438 8923-29	109	438 8931-87	111	471 4835-01	63
438 8115-04	19	438 8923-31	109	438 8931-88	111	471 6858-82	69
438 8120-01	61	438 8923-32	109	438 8931-89	111	471 6858-83	69
438 8120-02	61	438 8923-35	109	438 8931-90	111	471 7565-21	9
438 8120-03	61	438 8923-36	109	438 8931-91	111	471 7705-05	33
438 8155-01	29	438 8923-37	109	438 9210-60	79	471 7705-06	33
438 8155-02	29	438 8923-38	109	438 9210-60	83	471 7711-09	33
438 8155-03	29	438 8923-39	109	438 9210-60	87	471 7711-10	33
438 8155-04	29	438 8923-40	109	438 9210-60	91	471 7711-14	33
438 8155-05	29	438 8923-42	109	438 9210-60	95	471 7711-15	33
438 8158-01	33	438 8923-43	109	438 9210-60	99	471 7788-10	15
438 8158-02	33	438 8923-45	109	438 9212-90	79	471 7807-02	23
438 8270-01	69	438 8923-48	109	438 9212-90	83	471 7807-02	31
438 8270-02	69	438 8923-49	109	438 9212-90	87	471 7818-01	65
438 8701-01	43	438 8923-52	109	438 9212-90	91	471 7826-10	11
438 8701-01	105	438 8923-53	109	438 9212-90	95	471 7859-12	43
438 8701-02	105	438 8923-55	109	438 9212-90	99	471 7859-16	43
438 8701-03	43	438 8923-57	109	438 9212-91	79	471 7864-01	11
438 8701-03	105	438 8923-59	109	438 9212-91	83	471 7871-04	47
438 8701-04	105	438 8923-60	109	438 9212-91	87	471 7871-04	65
438 8720-01	43	438 8923-68	109	438 9212-91	91	471 7871-07	67
438 8720-02	43	438 8923-76	109	438 9212-91	95	471 7871-07	69
438 8720-03	43	438 8923-78	109	438 9212-91	99	471 7871-08	47
438 8774-02	37	438 8923-79	109	438 9515-01	69	471 7887-01	61
438 8775-01	101	438 8923-81	109	438 9561-01	21	471 7958-02	101
438 8775-01	103	438 8923-82	109	438 9562-01	25	471 7960-02	45
438 8775-01	105	438 8923-83	109	438 9563-01	25	471 7960-02	101
438 8775-02	101	438 8923-85	109	438 9565-01	25	471 7960-02	103
438 8775-07	101	438 8923-86	109	438 9566-01	25	471 7960-02	105
438 8775-07	103	438 8923-87	109	438 9569-01	25	471 7977-03	45
438 8778-01	101	438 8923-88	109	438 9572-01	25	471 7977-04	45

Numerical index/Nummerregister

Art.No/Art.nr	Page/Sida	Art.No/Art.nr	Page/Sida	Art.No/Art.nr	Page/Sida	Art.No/Art.nr	Page/Sida
471 7977-04	47	471 8344-36	19	471 9821-06	23	472 9938-03	37
471 8116-03	69	471 8346-02	39	471 9821-07	23	472 9954-01	73
471 8124-02	61	471 8346-09	39	471 9821-08	23	472 9954-03	73
471 8124-03	63	471 8356-05	33	471 9821-11	23	487 1702-45	43
471 8124-04	63	471 8356-08	33	471 9821-12	23	488 8038-17	113
471 8124-07	61	471 8356-10	33	471 9821-13	23	488 8039-10	113
471 8124-08	63	471 8376-01	105	471 9821-14	23	725 2366-61	17
471 8124-09	63	471 8376-99	105	471 9821-15	23	725 2465-71	23
471 8126-25	71	471 8404-02	17	471 9821-99	27	731 2312-01	111
471 8126-26	71	471 8404-03	65	471 9822-99	27	732 2118-01	23
471 8126-27	71	471 8458-02	9	471 9827-01	23	732 2118-01	31
471 8126-28	71	471 8502-14	31	471 9827-02	23	732 2122-01	33
471 8128-41	63	471 8502-34	31	471 9827-03	23	735 2153-01	11
471 8128-61	61	471 8527-01	19	471 9827-04	23	735 3133-00	31
471 8128-63	61	471 8613-05	63	471 9827-11	23	735 3139-00	31
471 8128-64	61	471 8624-01	71	471 9827-12	23	735 3144-00	31
471 8128-65	61	471 8641-02	11	471 9827-13	23	735 3147-00	31
471 8128-66	61	471 8644-02	47	471 9827-21	23	735 9370-01	31
471 8128-67	61	471 8688-13	47	471 9827-22	23	735 9501-01	31
471 8139-01	61	471 8688-13	65	471 9827-23	23	735 9630-01	31
471 8139-11	61	471 8693-21	47	471 9827-24	23	736 2816-51	47
471 8139-15	61	471 8695-01	71	471 9828-01	23	736 2816-51	69
471 8139-16	61	471 8697-01	71	471 9828-11	23	736 2825-51	47
471 8175-01	47	471 8750-11	45	471 9829-01	23	736 2825-51	63
471 8195-01	65	471 8750-16	45	471 9829-02	23	736 2825-51	69
471 8196-01	7	471 8767-01	43	471 9829-04	23	736 2831-51	61
471 8199-01	47	471 8767-02	43	471 9829-11	23	736 2831-51	63
471 8210-70	57	471 8768-02	37	471 9829-12	23	736 2837-51	47
471 8210-70	59	471 8783-01	43	471 9829-13	23	736 2837-51	61
471 8210-71	57	471 8783-03	43	471 9829-21	25	736 2837-51	69
471 8210-71	59	471 8783-04	43	471 9829-22	25	736 2840-51	61
471 8210-78	57	471 8826-01	33	471 9829-23	25	736 2840-51	69
471 8210-78	59	471 8827-01	33	471 9832-13	23	736 2846-51	47
471 8210-79	57	471 8861-01	41	471 9832-15	23	736 2846-51	61
471 8210-79	59	471 8861-02	13	471 9835-11	23	736 2846-51	67
471 8215-01	67	471 8861-04	11	472 5792-01	15	736 2849-51	69
471 8215-03	67	471 8863-01	41	472 5792-02	15	740 4206-00	47
471 8234-52	55	471 8910-90	111	472 5792-10	15	741 5109-25	47
471 8234-64	55	471 9222-59	31	472 5793-01	15	744 3113-06	71
471 8236-76	51	471 9550-32	25	472 6760-01	69	762 1182-10	45
471 8236-76	53	471 9628-32	75	472 9900-99	11	877 5211-08	47
471 8236-78	51	471 9628-70	75	472 9904-98	25		
471 8236-78	53	471 9628-71	75	472 9913-12	29		
471 8236-79	51	471 9628-71	77	472 9913-13	29		
471 8236-79	53	471 9628-71	81	472 9913-14	29		
471 8240-63	49	471 9628-71	85	472 9913-16	29		
471 8240-63	55	471 9628-71	89	472 9913-18	29		
471 8240-63	57	471 9628-71	93	472 9919-30	103		
471 8240-63	59	471 9628-71	97	472 9919-31	103		
471 8240-64	53	471 9628-75	75	472 9919-32	103		
471 8240-67	53	471 9628-75	77	472 9919-33	103		
471 8240-68	53	471 9628-75	81	472 9920-01	17		
471 8240-69	55	471 9628-75	85	472 9920-02	17		
471 8240-69	57	471 9628-75	89	472 9929-01	35		
471 8240-69	59	471 9628-75	93	472 9929-04	35		
471 8243-07	61	471 9628-75	97	472 9929-13	35		
471 8243-08	61	471 9628-85	77	472 9929-14	35		
471 8243-09	61	471 9628-85	81	472 9929-15	35		
471 8243-10	61	471 9628-85	85	472 9929-20	35		
471 8279-03	71	471 9628-85	89	472 9929-25	35		
471 8279-08	71	471 9628-85	93	472 9929-31	35		
471 8323-01	31	471 9628-85	97	472 9929-32	35		
471 8328-02	31	471 9678-94	45	472 9929-41	35		
471 8328-10	33	471 9821-01	23	472 9929-51	35		
471 8342-47	21	471 9821-04	23	472 9938-01	37		
471 8344-35	11	471 9821-05	23	472 9938-02	37		

Numerical index/Nummerregister

Art.No/Art.nr	Page/Sida	Art.No/Art.nr	Page/Sida	Art.No/Art.nr	Page/Sida	Art.No/Art.nr	Page/Sida









**ELECTROLUX LAUNDRY SYSTEMS**

ELECTROLUX LAUNDRY SYSTEMS SWEDEN AB  
341 80 Ljungby, Sweden. Telephone +46 372 661 00. Telefax +46 372 133 90  
Internet: [www.electrolux-wascator.com](http://www.electrolux-wascator.com) E-mail: [els.info@electrolux.se](mailto:els.info@electrolux.se)