



W585S-W5330S Compass

Washer extractor

Tvättmaskin

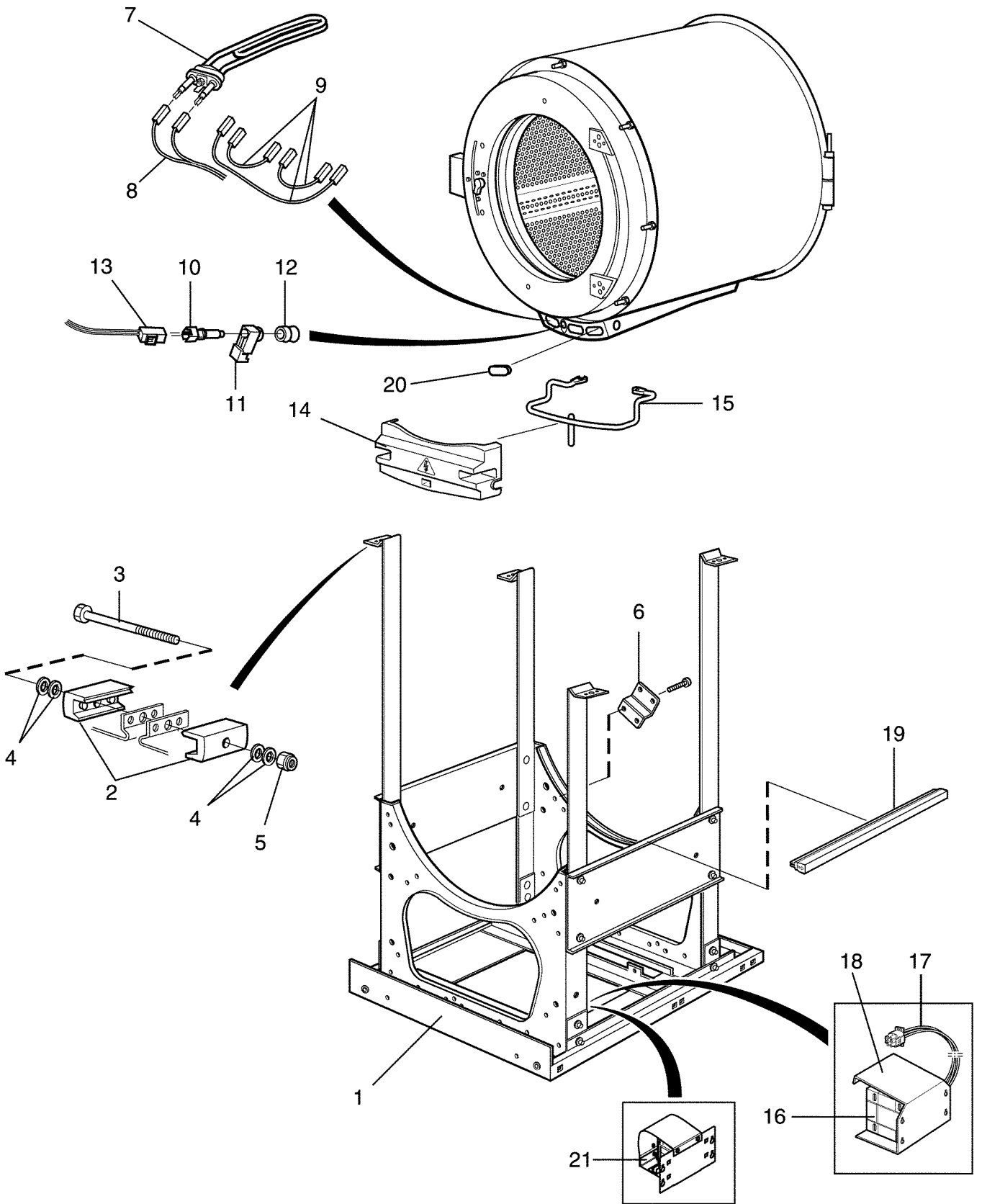
List of issues

W585S Compass,W5105S Compass,W5130S Compass,W5180S Compass,W5250S Compass,W5330S Com

| Illustration | Page | Table of contents |
|--------------|------|---|
| 500199 | 79 | Electronic coin meter |
| 500201 | 81 | Coin meter |
| 500231 | 37 | CPU |
| 500281 | 21 | Drum, rear gable |
| 500283 | 27 | Door lock |
| 500285 | 31 | Motor control unit |
| 500286 | 43 | Electric components connection |
| 500288 | 47 | Water connections |
| 500289 | 49 | Inlet valves and cable set |
| 500290 | 51 | Inlet valves and cable set |
| 500291 | 53 | Inlet valves and cable set |
| 500292 | 55 | Inlet valves and cable set |
| 500293 | 61 | Drain valve |
| 500294 | 63 | Drain valve, electrical |
| 500295 | 65 | Drain pump |
| 500296 | 67 | Steam components |
| 500297 | 69 | Detergent container |
| 500302 | 57 | Inlet valves and cable set |
| 500303 | 59 | Inlet valves and cable set |
| 500308 | 17 | Lining and top panel |
| 500309 | 11 | Base and outer drum |
| 500310 | 29 | Motor |
| 500311 | 45 | Drain valve and hoses |
| 500315 | 71 | Emergency stop |
| 500316 | 73 | Key switch |
| 500323 | 39 | Program selector |
| 500371 | 33 | Control panel |
| 500372 | 35 | Control panel |
| 500446 | 83 | Coin meter (for coinbox height 90mm) |
| 500452 | 75 | Coinbox housing (for coinbox height 70mm) |
| 500453 | 77 | Coinbox housing (for coinbox height 90mm) |
| 500470 | 87 | Liquid detergent USA |
| 500504 | 25 | Door and hinged joint |
| 500544 | 85 | Electronic coin meter (for coinbox height 90mm) |

W585S Compass,W5105S Compass,W5130S Compass,W5180S Compass,W5250S Compass,W5330S Com

| Table of contents | Innehållsförteckning | Page/Sida |
|---|---|-----------|
| Base and outer drum | Stativ och yttertrumma | 11 |
| Lining and top panel | Klädselplåtar och topplock | 17 |
| Drum, rear gable | Trumma,bakgavel | 21 |
| Door and hinged joint | Lucka och gångled | 25 |
| Door lock | Lucklås | 27 |
| Motor | Motor | 29 |
| Motor control unit | Motorstyrningsenhet | 31 |
| Control panel | Manöverpanel | 33 |
| Control panel | Manöverpanel | 35 |
| CPU | CPU | 37 |
| Program selector | Programväljare | 39 |
| Electric components connection | Eldetaljer anslutning | 43 |
| Drain valve and hoses | Avloppsventil och slangar | 45 |
| Water connections | Vattenanslutningar | 47 |
| Inlet valves and cable set | Inloppsventiler och ledningssatser | 49 |
| Inlet valves and cable set | Inloppsventiler och ledningssatser | 51 |
| Inlet valves and cable set | Inloppsventiler och ledningssatser | 53 |
| Inlet valves and cable set | Inloppsventiler och ledningssatser | 55 |
| Inlet valves and cable set | Inloppsventiler och ledningssatser | 57 |
| Inlet valves and cable set | Inloppsventiler och ledningssatser | 59 |
| Drain valve | Avloppsventil | 61 |
| Drain valve, electrical | Avloppsventil, elektrisk | 63 |
| Drain pump | Avloppspump | 65 |
| Steam components | Ångdetaljer | 67 |
| Detergent container | Tvättmedelsbehållare | 69 |
| Emergency stop | Nödstopp | 71 |
| Key switch | Nyckelbrytare | 73 |
| Coinbox housing (for coinbox height 70mm) | Mynthus (för myntlåda höjd 70mm) | 75 |
| Coinbox housing (for coinbox height 90mm) | Mynthus (för myntlåda höjd 90mm) | 77 |
| Electronic coin meter | Elektronisk myntmätare | 79 |
| Coin meter | Myntmätare | 81 |
| Coin meter (for coinbox height 90mm) | Myntmätare (för myntlåda höjd 90mm) | 83 |
| Electronic coin meter (for coinbox height 90mm) | Elektronisk myntmätare (för myntlåda höjd 90mm) | 85 |
| Liquid detergent USA | Flytande tvättmedel USA | 87 |



W585S Compass,W5105S Compass,W5130S Compass,W5180S Compass,W5250S Compass,W5330S Compass

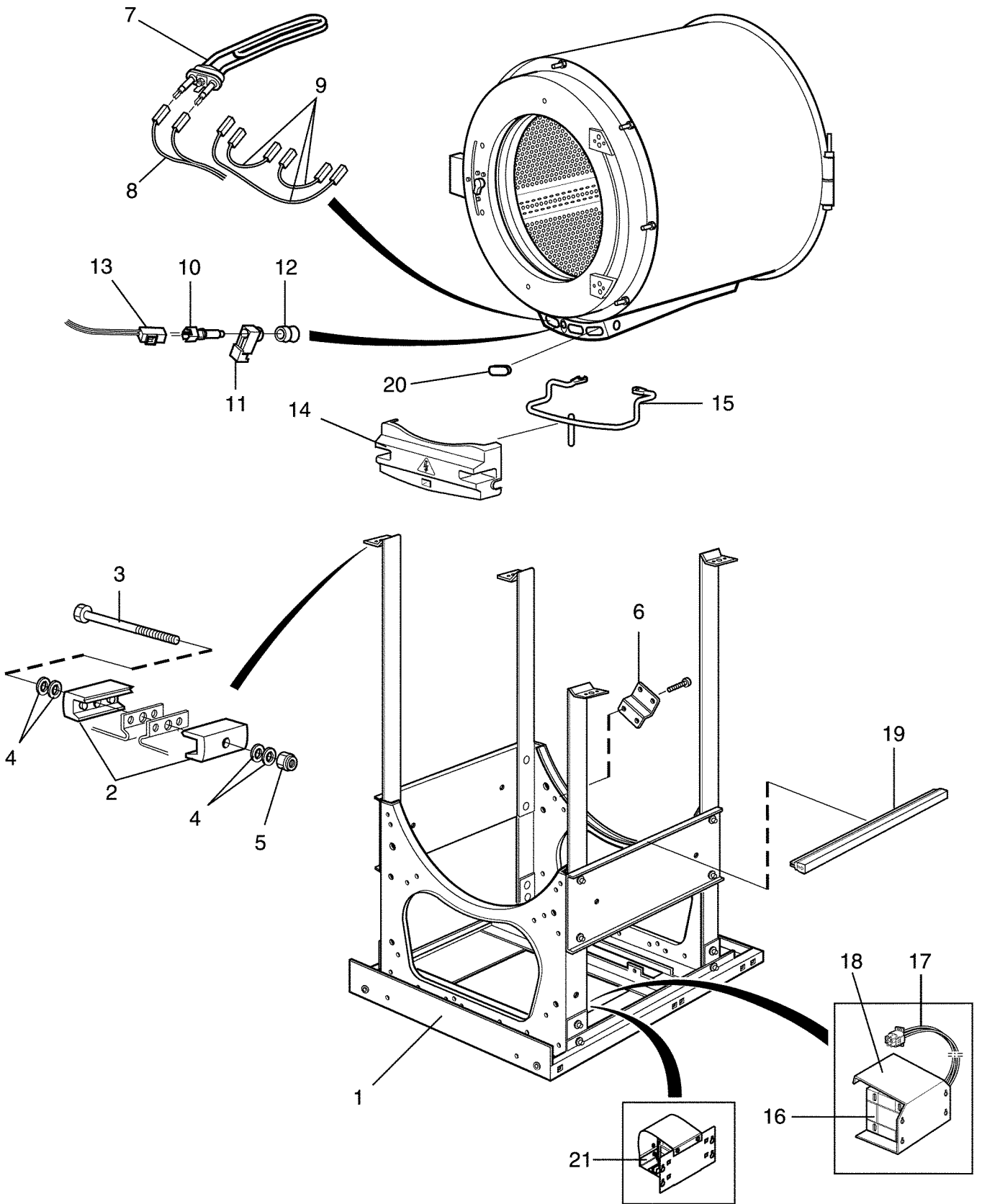
Base and outer drum

Illustration Issue Month Year
Illustration Utgåva Månad År

Stativ och yttertrumma

500309 1 4 2013

| Item Pos. | Quantity Antal | | | | | | Art.No Art.nr | Description | Benämning | Info Info | Notes Anmärkning |
|-----------|----------------|----------------|---|---|---|-------------|-----------------|-----------------|--------------|-----------------|------------------|
| 1 | W585S Compass | | | | | | | | | | |
| | W5105S Compass | | | | | | | | | | |
| | | W5130S Compass | | | | | | | | | |
| | | W5180S Compass | | | | | | | | | |
| | | W5250S Compass | | | | | | | | | |
| | | W5330S Compass | | | | | | | | | |
| | | | | | | | 413 4015-62 | Frame | Stativ | | |
| | | | 1 | | | | 413 4115-61 | Frame | Stativ | | |
| | | | | 1 | | | 413 4115-62 | Frame | Stativ | | |
| | | | | | 1 | | 413 4215-61 | Frame | Stativ | | |
| | | | | | | 1 | 413 4315-62 | Frame | Stativ | | |
| | | | | | | 1 | 413 4415-61 | Frame | Stativ | | |
| | 2 | 4 | 4 | 4 | 4 | 4 | 432 1453-01 | •Tensioner | •Spänne | | |
| | 3 | 2 | 2 | 2 | 2 | 2 | 725 2465-71 | •Screw | •Skruv | | M8X70 |
| | 4 | 8 | 8 | 8 | 8 | 8 | 471 7807-02 | •Tension plate | •Spännbricka | | 18x8,4x2 |
| | 5 | 2 | 2 | 2 | 2 | 2 | 732 2118-01 | •Locking nut | •Låsmutter | | M8 |
| | 6 | 1 | 1 | 1 | 1 | 1 | 432 1451-01 | •Bracket | •Vridskydd | | |
| | | | | | | 1 | 432 1451-02 | •Bracket | •Vridskydd | | |
| | 7 | 3 | | | | | 471 9837-01 | Heating element | Element | | 2,5kW 240V |
| | | 3 | | | | | 471 9837-04 | Heating element | Element | | 1kW 240V |
| | | 3 | | | | | 471 9837-05 | Heating element | Element | | 1,8kW 240V |
| | | 3 | | | | | 471 9837-06 | Heating element | Element | | 0,665kW 240V |
| | | 3 | | | | | 471 9837-07 | Heating element | Element | | 2,5kW 254V |
| | | 3 | | | | | 471 9837-08 | Heating element | Element | | 2,5kW 277V |
| | | | 3 | 3 | | | 471 9837-11 | Heating element | Element | | 3,33kW 240V |
| | | | 3 | 3 | | | 471 9837-15 | Heating element | Element | | 3.3kW 277V |
| | | | 3 | 3 | | | 471 9837-12 | Heating element | Element | | 2,5kW 240V |
| | | 3 | 3 | | | 471 9837-13 | Heating element | Element | | 3,33kW 254V | |
| | | 3 | 3 | | | 471 9837-14 | Heating element | Element | | 1kW 240V | |
| | | | 3 | | | 471 9839-11 | Heating element | Element | | 3.33kW 240V MOP | |
| | | | 3 | | | 471 9839-13 | Heating element | Element | | 3.33kW 254V MOP | |
| | | | 3 | | | 471 9839-15 | Heating element | Element | | 3.33kW 277V MOP | |
| | | | 3 | | | 471 9825-01 | Heating element | Element | | 4.33kW 240V | |
| | | | 3 | | | 471 9825-02 | Heating element | Element | | 4.33kW 254V | |
| | | | 3 | | | 471 9825-03 | Heating element | Element | | 1.6kW 240V | |
| | | | 3 | | | 471 9825-04 | Heating element | Element | | 4.33kW 277V | |
| | | | 3 | | | 471 9829-01 | Heating element | Element | | 4.33kW 240V MOP | |
| | | | 3 | | | 471 9829-02 | Heating element | Element | | 4.33kW 254V MOP | |
| | | | 3 | | | 471 9829-04 | Heating element | Element | | 4.33kW 277V MOP | |
| | | | 3 | | | 471 9825-11 | Heating element | Element | | 6kW 240V | |
| | | | 3 | | | 471 9825-12 | Heating element | Element | | 6KW 254V | |
| | | | 3 | | | 471 9825-13 | Heating element | Element | | 6kW 277V | |
| | | | 3 | | | 471 9829-11 | Heating element | Element | | 6kW 240V MOP | |
| | | | 3 | | | 471 9829-12 | Heating element | Element | | 6KW 254V MOP | |
| | | | 3 | | | 471 9829-13 | Heating element | Element | | 6kW 277V MOP | |
| | | | 3 | | | 471 9825-21 | Heating element | Element | | 6.6kW 240V | |
| | | | 3 | | | 471 9825-22 | Heating element | Element | | 7kW 254V | |
| | | | 3 | | | 471 9825-23 | Heating element | Element | | 7.6kW 277V | |
| | | | 3 | | | 471 9825-24 | Heating element | Element | | 6.36kW 230V | |
| | | | 3 | | | 471 9829-21 | Heating element | Element | | 7.66kW 240V MOP | |
| | | | 3 | | | 471 9829-22 | Heating element | Element | | 7.66kW 254V MOP | |



W585S Compass,W5105S Compass,W5130S Compass,W5180S Compass,W5250S Compass,W5330S Compass

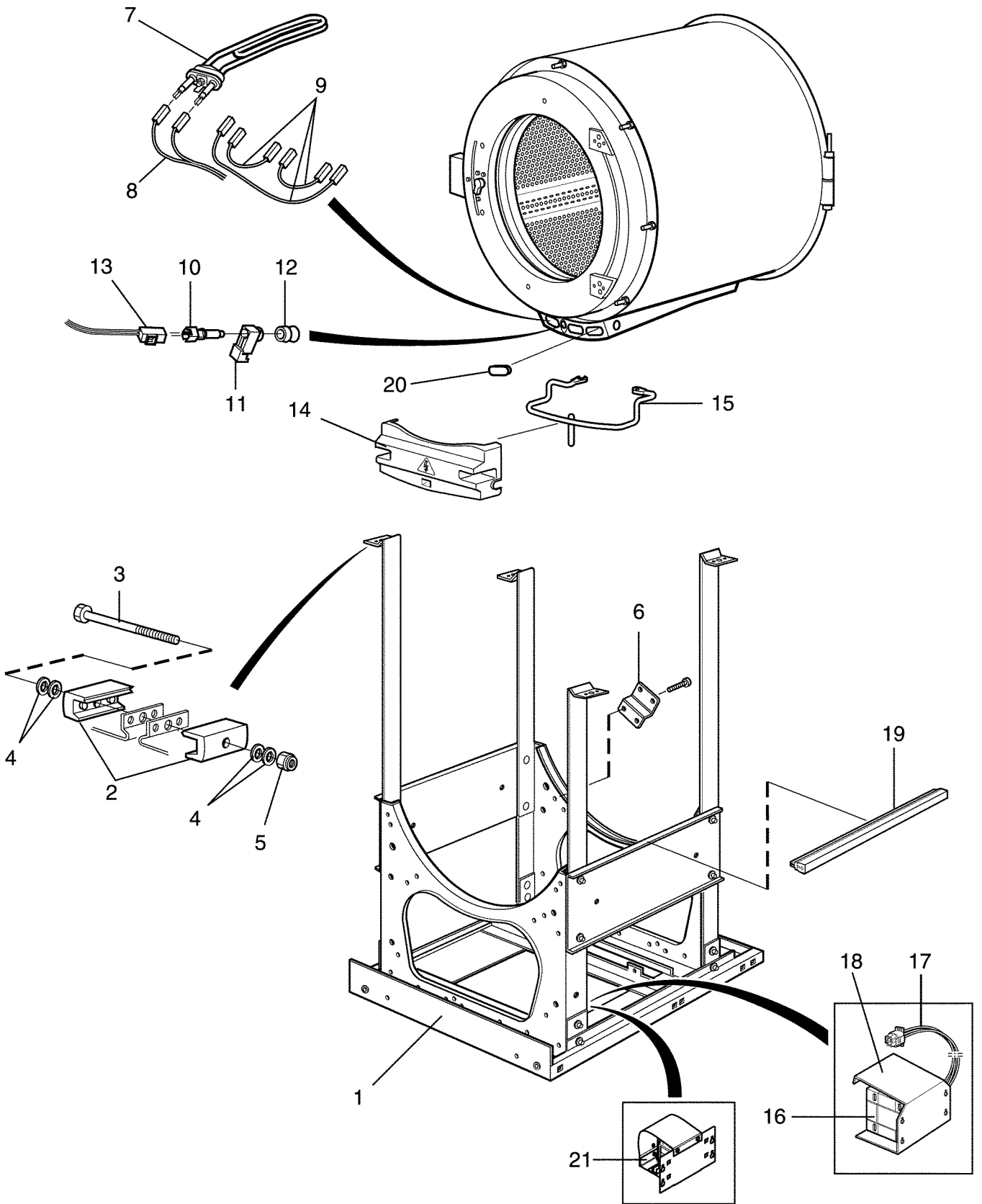
Base and outer drum

Illustration Issue Month Year
Illustration Utgåva Månad År

Stativ och yttertrumma

500309 1 4 2013

| Item Pos. | Quantity Antal | | | Art.No Art.nr | Description | Benämning | Info Info | Notes Anmärkning |
|-----------|----------------|----|----|---------------|-----------------|---------------|-----------|---------------------------|
| | W585S Compass | | | | | | | |
| | W5105S Compass | | | | | | | |
| | W5130S Compass | | | | | | | |
| | W5180S Compass | | | | | | | |
| | W5250S Compass | | | | | | | |
| | W5330S Compass | | | | | | | |
| | | | 3 | 471 9829-23 | Heating element | Element | | 7.66kW 277V MOP |
| 8 | 1 | 1 | 1 | 432 2950-02 | Cable set | Ledningssats | | |
| | | | 1 | 413 2965-12 | Cable set | Ledningssats | | 400V |
| | | | 1 | 413 2965-13 | Cable set | Kabelsats | | 230V |
| | | | 1 | 413 2965-24 | Cable set | Ledningssats | | EL/DS |
| | | | 1 | 413 2965-25 | Cable set | Ledningssats | | 1AC 240V/3AC 415V |
| | | | 1 | 413 2965-22 | Cable set | Ledningssats | | 400V |
| | | | 1 | 413 2965-23 | Cable set | Ledningssats | | 230V 1AC/230V 3AC 230V |
| | | | 1 | 413 2965-02 | Cable set | Ledningssats | | 400V |
| | | | 1 | 413 2965-03 | Cable set | Ledningssats | | 230V |
| | | | 1 | 413 2965-04 | Cable set | Ledningssats | | EL/DS |
| | | | 1 | 413 2965-05 | Cable set | Ledningssats | | 1AC 230V/3AC 415V |
| 9 | 1 | 1 | 1 | 432 2953-10 | Cable set | Ledningssats | | Kit |
| | | | 2 | 413 2965-11 | Cable set | Ledningssats | | 400V |
| 10 | 1 | 1 | 1 | 413 2965-01 | Cable set | Ledningssats | | 400V |
| 11 | 1 | 1 | 1 | 472 9904-98 | Sensor | Givare | | Complete |
| 12 | 1 | 1 | 1 | | •Discharge | •Avlastning | | |
| 13 | 1 | 1 | 1 | | •Bushing | •Bussning | | |
| | | | 1 | 413 3272-04 | Cable set | Ledningssats | | |
| | | | 1 | 413 3272-11 | Cable set | Ledningssats | | Temp |
| | | | 1 | 413 3272-24 | Cable set | Ledningssats | | Temp |
| | | | 1 | 413 3272-25 | Cable set | Ledningssats | | Temp |
| 14 | 1 | 1 | 1 | 432 1654-01 | Cover | Skydd | | |
| 15 | 1 | 1 | 1 | 432 1653-01 | Clamp | Bygel | | |
| 16 | 1 | 1 | 1 | 438 9569-01 | Transformer | Transformator | | 200V |
| | 1 | | | 471 9550-32 | Transformer | Transformator | | 100-120V |
| | 1 | 1 | 1 | 438 9566-01 | Transformer | Transformator | | 400-480V |
| | | 1 | 1 | 438 9565-01 | Transformer | Transformator | | 100-120V |
| | | | 1 | 438 9572-01 | Transformer | Transformator | | 100-120V |
| | | | 1 | 438 9562-01 | Transformer | Transformator | | 380-480V |
| | | | 1 | 438 9573-01 | Transformer | Transformator | | 100-120V |
| | | | 1 | 438 9563-01 | Transformer | Transformator | | 380-480V |
| 17 | 1 | 1 | 1 | 432 2985-01 | Cable set | Ledningssats | | 200V |
| | 1 | | | 413 2922-01 | Cable set | Ledningssats | | 100-120V |
| | 1 | | | 432 2998-01 | Cable set | Ledningssats | | 400- 480V |
| | | 1 | 1 | 432 2998-01 | Cable set | Ledningssats | | 100-120V, 400-480V |
| | | | 1 | 432 2977-01 | Cable set | Ledningssats | | 100-120V 380-480V |
| 18 | 1 | | | 432 1295-01 | Bracket | Konsol | | |
| | | 1 | 1 | 432 1295-01 | Bracket | Konsol | | Trafo 200V |
| | | 1 | 1 | 432 1363-01 | Bracket | Konsol | | |
| | | | 1 | 432 1419-01 | Bracket | Konsol | | |
| | | | 1 | 432 1421-01 | Bracket | Konsol | | |
| | 1 | 1 | 1 | 432 1338-01 | Cover | Skydd | | |
| 19 | 2 | 2 | 2 | 432 2198-02 | Rubber strip | Gummilist | | |
| | | | 1 | 432 2198-01 | Rubber strip | Gummilist | | |
| 20 | Rq | Rq | Rq | 471 9821-99 | Plug | Propp | | |
| | | | Rq | 471 9822-99 | Plug | Propp | | |



W585S Compass,W5105S Compass,W5130S Compass,W5180S Compass,W5250S Compass,W5330S Compass

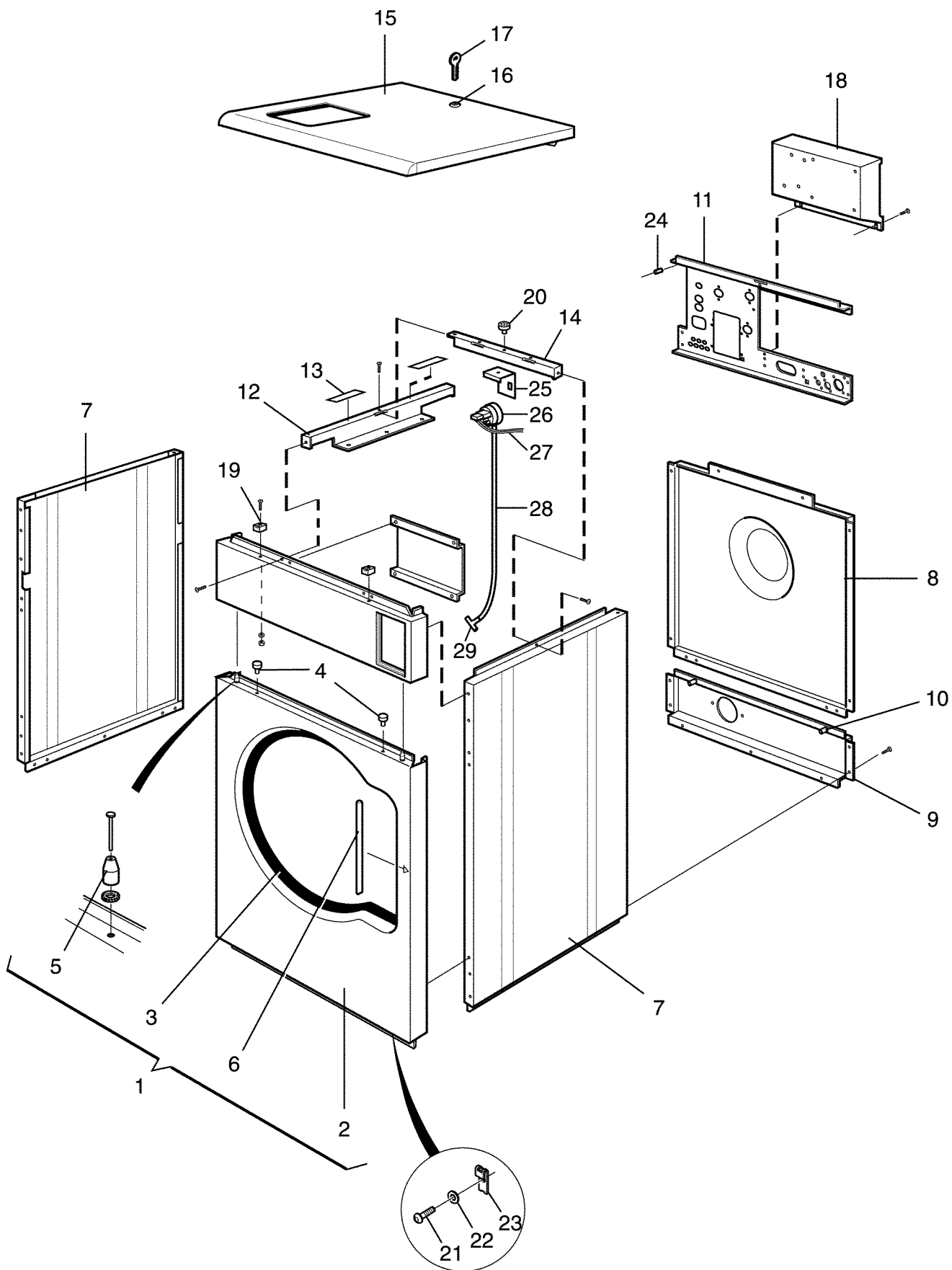
Base and outer drum

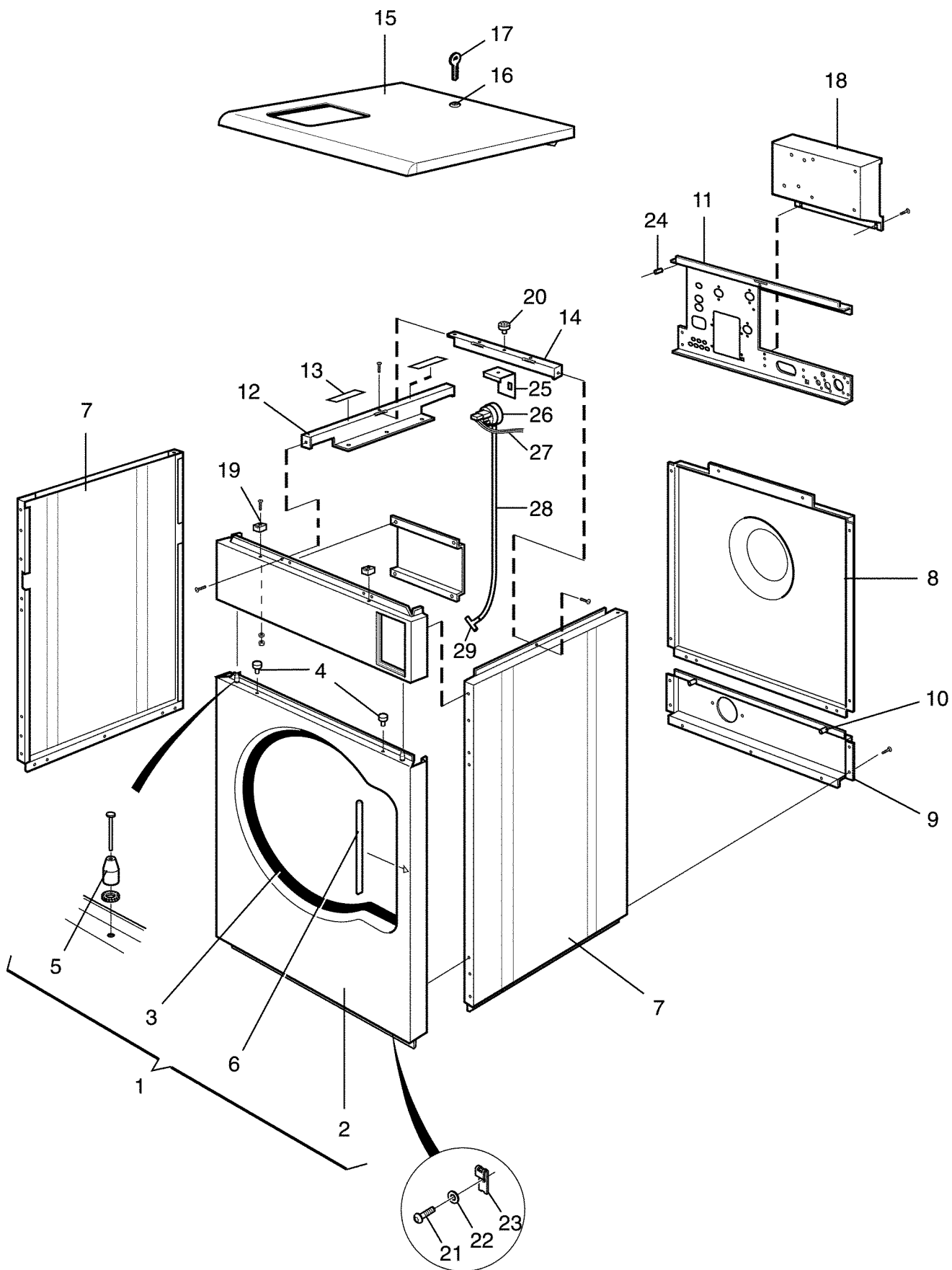
Illustration Issue Month Year
Illustration Utgåva Månad År

Stativ och yttertrumma

500309 1 4 2013

| Item Pos. | Quantity Antal | Art.No Art.nr | Description | Benämning | Info Info | Notes Anmärkning |
|-----------|----------------|---------------|--------------------|-----------|-----------|-----------------------------|
| 21 | 1 | | W585S Compass | | | Not used Not used 15A |
| | 1 | | W5105S Compass | | | |
| | 1 | | W5130S Compass | | | |
| | 1 | | W5180S Compass | | | |
| | 1 | | W5250S Compass | | | |
| | 1 | | W5330S Compass | | | |
| | 1 | | 413 3704-12 | Choke | Choke | |
| | 1 | | | | | |





W585S Compass, W5105S Compass, W5130S Compass, W5180S Compass, W5250S Compass, W5330S Compass

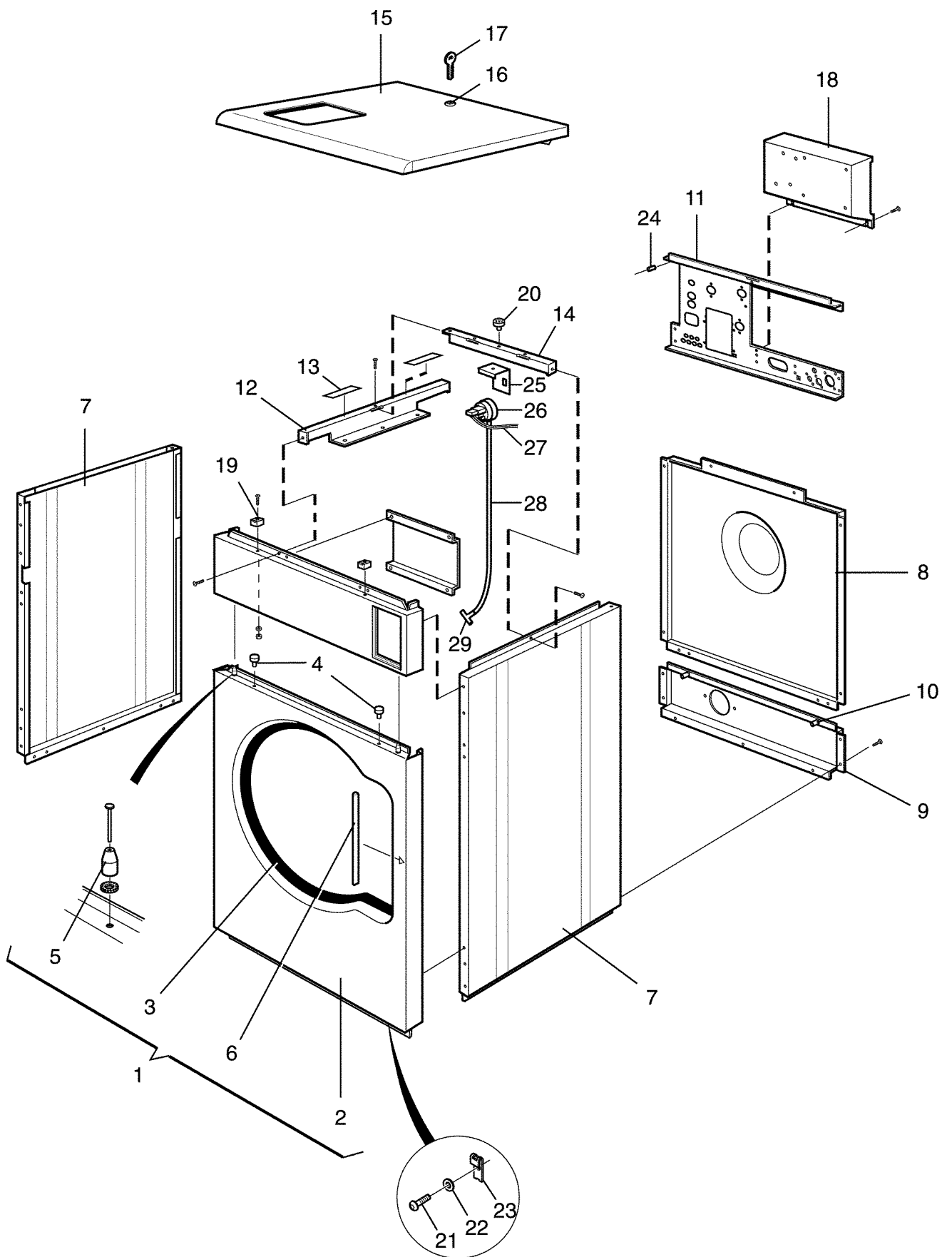
Lining and top panel

Illustration Issue Month Year
Illustration Utgåva Månad År

Klädselplåtar och topplock

500308 1 4 2013

| Item Pos. | Quantity Antal | Art.No Art.nr | Description | Benämning | Info Info | Notes Anmärkning |
|-----------|----------------|---------------|---------------------------|---------------|-----------|------------------------|
| | | | W585S Compass | | | |
| | | | W5105S Compass | | | |
| | | | W5130S Compass | | | |
| | | | W5180S Compass | | | |
| | | | W5250S Compass | | | |
| | | | W5330S Compass | | | |
| | | Rq | | | | |
| 10 | 6 | 1 | 432 2065-01 Rear panel | Bakstycke | | Not used |
| 11 | 6 | 1 | 432 2067-01 Rear panel | Bakstycke | | Lower |
| | | | 432 2076-01 Rear panel | Bakstycke | | Lower |
| | | | 471 8458-02 Nut | Mutter | | M6 |
| | | | 432 2353-01 Brace bracket | Stagplåt | | |
| | | | 432 2351-01 Brace bracket | Stagplåt | | |
| | | | 432 2352-01 Brace bracket | Stagplåt | | |
| | | | 432 2355-01 Brace bracket | Stagplåt | | |
| 12 | 1 | 1 | 432 2356-01 Brace bracket | Stagplåt | | |
| | | | 432 2130-08 Brace | Stag | | |
| | | | 432 2130-03 Brace | Stag | | |
| | | | 432 2130-06 Brace | Stag | | |
| | | | 432 2131-05 Brace | Stag | | |
| | | | 432 2131-06 Brace | Stag | | |
| 13 | 4 | 1 | 432 2131-07 Brace | Stag | | |
| 14 | 1 | 2 | 471 7565-21 Velcro tape | Kardborreband | | |
| | | | 432 2120-06 Brace | Stag | | |
| | | | 432 2122-02 Brace | Stag | | |
| | | | 432 2120-01 Brace | Stag | | |
| | | | 432 2121-05 Brace | Stag | | |
| | | | 432 2121-06 Brace | Stag | | |
| 15 | 1 | 1 | 432 2121-02 Brace | Stag | | |
| | | | 432 2292-65 Top panel | Topplock | | |
| | | | 413 2201-09 Top panel | Topplock | | With lock |
| | | | 432 2292-66 Top panel | Topplock | | No detergent container |
| | | | 413 2201-15 Top panel | Topplock | | No detergent container |
| | | | 432 2288-65 Top panel | Topplock | | |
| | | | 413 2201-13 Top panel | Topplock | | With lock |
| | | | 432 2288-66 Top panel | Topplock | | No detergent container |
| | | | 413 2201-18 Top panel | Topplock | | No detergent container |
| | | | 432 2294-65 Top panel | Topplock | | |
| | | | 413 2201-04 Top panel | Topplock | | With lock |
| | | | 432 2294-66 Top panel | Topplock | | No detergent container |
| | | | 413 2201-20 Top panel | Topplock | | No detergent container |
| | | | 432 2289-65 Top panel | Topplock | | With lock |
| | | | 413 2201-05 Top panel | Topplock | | No detergent container |
| | | | 432 2289-66 Top panel | Topplock | | No detergent container |
| | | | 413 2201-31 Top panel | Topplock | | No detergent container |
| | | | 432 2290-65 Top panel | Topplock | | No detergent container |
| | | | 413 2201-06 Top panel | Topplock | | With lock |
| | | | 432 2290-66 Top panel | Topplock | | No detergent container |



W585S Compass,W5105S Compass,W5130S Compass,W5180S Compass,W5250S Compass,W5330S Compass

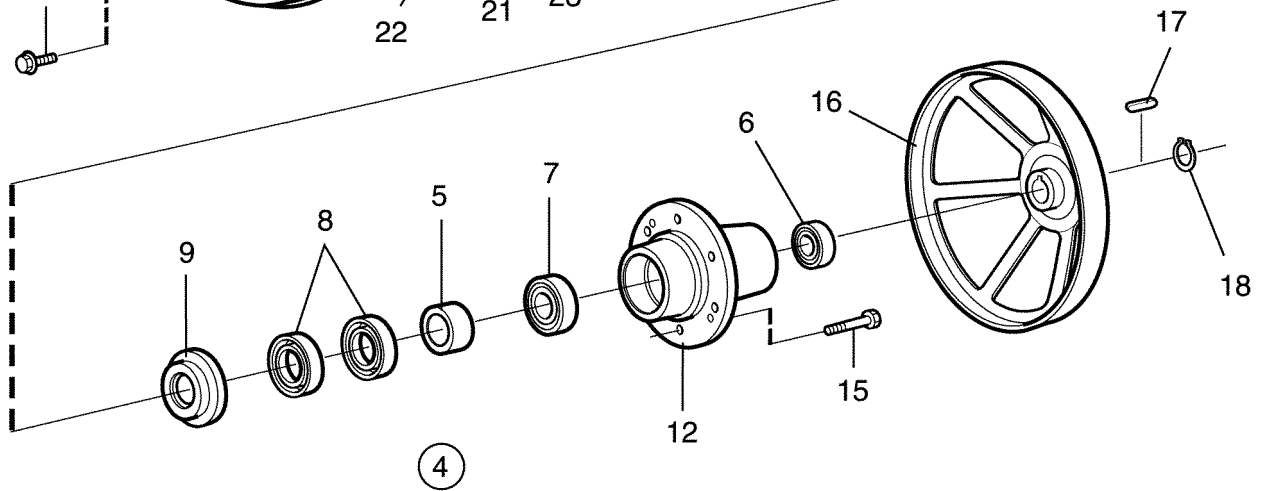
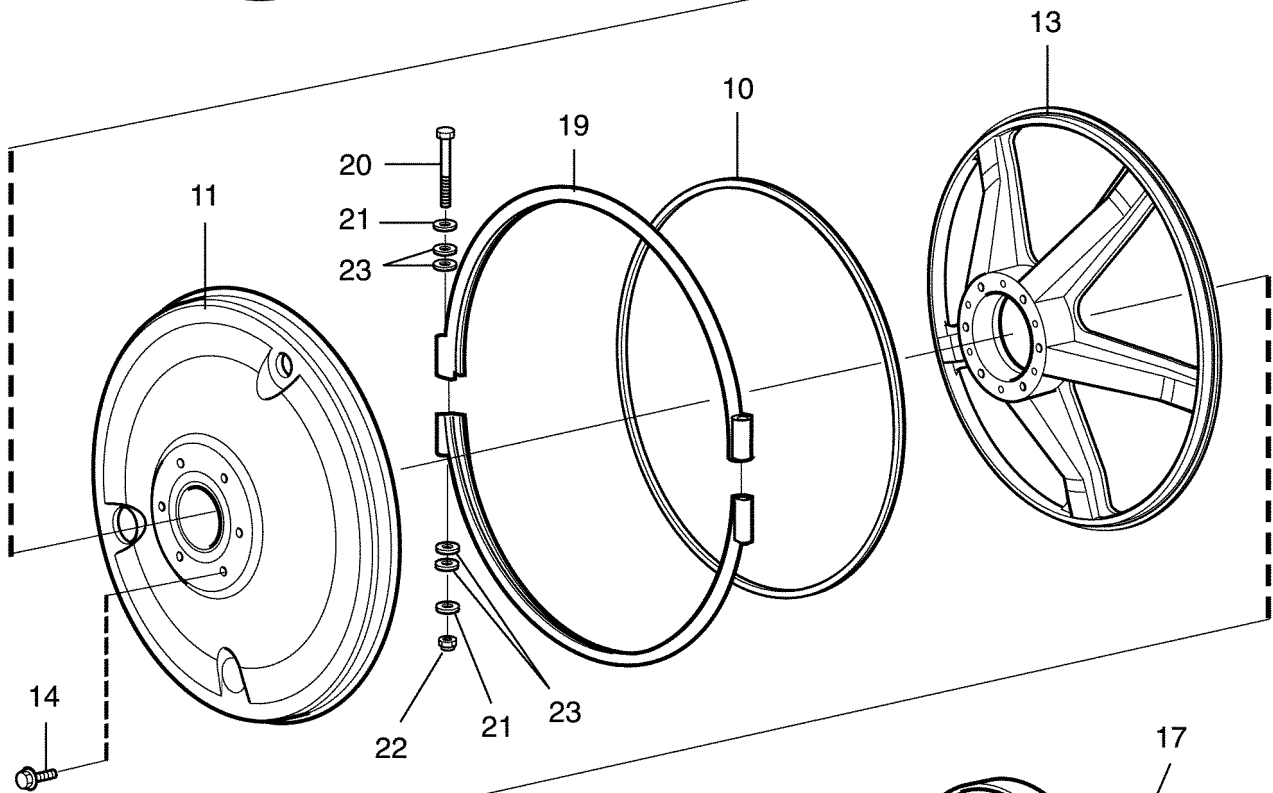
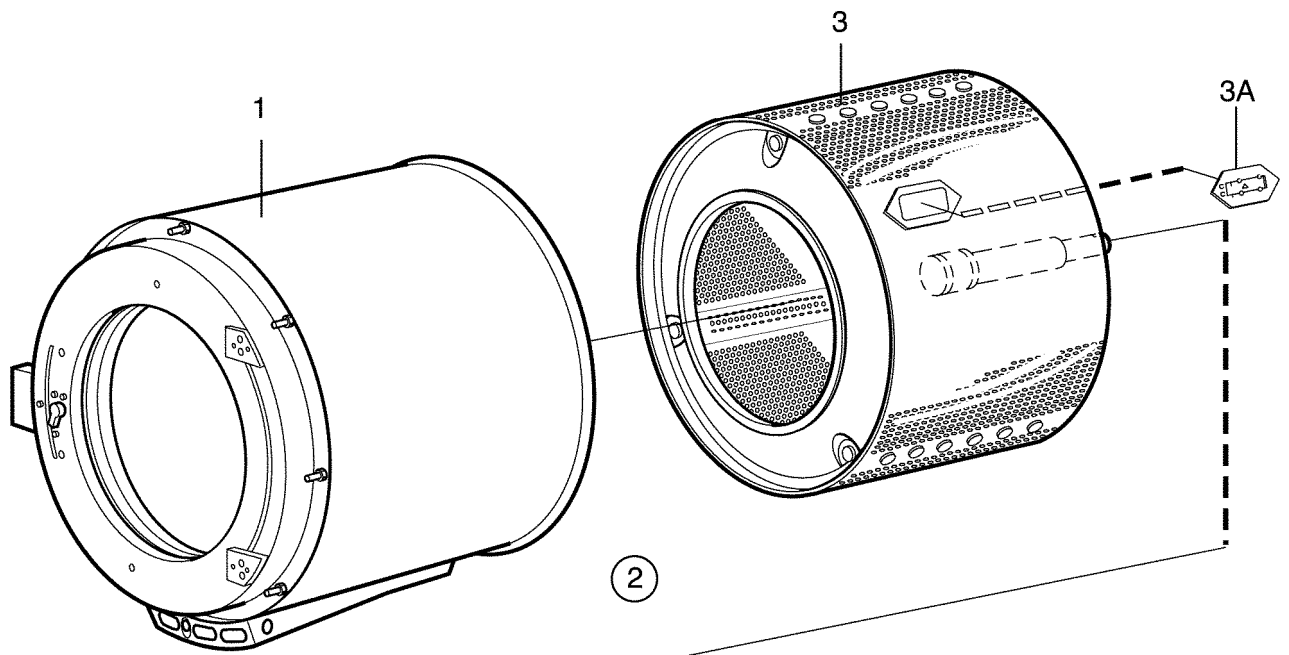
Lining and top panel

Illustration Issue Month Year
Illustration Utgåva Månad År

Klädselplåtar och topplock

500308 1 4 2013

| Item Pos. | Quantity Antal | | Art.No Art.nr | Description | Benämning | Info Info | Notes Anmärkning |
|-----------|----------------|----|---------------|-------------|---------------|--------------|------------------------|
| | W585S Compass | | | | | | |
| | W5105S Compass | | | | | | |
| | W5130S Compass | | | | | | |
| | W5180S Compass | | | | | | |
| | W5250S Compass | | | | | | |
| | W5330S Compass | | | | | | |
| | | | 1 | 413 2201-32 | Top panel | Topplöck | No detergent container |
| | | | 1 | 432 2291-65 | Top panel | Topplöck | |
| | | | 1 | 432 2291-66 | Top panel | Topplöck | No detergent container |
| | | | 1 | 413 2201-07 | Top panel | Topplöck | With lock |
| | | | 1 | 413 2201-33 | Top panel | Topplöck | No detergent container |
| 16 | 1 | 1 | 1 | 471 7826-10 | •Lock | •Lås | |
| 17 | 1 | 1 | 1 | 472 9900-99 | •Key | •Nyckel | SET |
| 18 | 1 | 1 | 1 | 432 2259-01 | Plate | Plåt | |
| | 1 | 1 | 1 | 432 2215-01 | Plate | Plåt | |
| | | 1 | 1 | 432 2259-01 | Plate | Plåt | |
| | | 1 | 1 | 432 2215-01 | Plate | Plåt | |
| | | 1 | 1 | 432 2259-01 | Plate | Plåt | |
| | | 1 | 1 | 432 2215-01 | Plate | Plåt | |
| | | 1 | 1 | 432 2259-01 | Plate | Plåt | |
| | | 1 | 1 | 432 2215-01 | Plate | Plåt | |
| | | 1 | 1 | 432 2259-01 | Plate | Plåt | |
| | | 1 | 1 | 432 2215-01 | Plate | Plåt | |
| 19 | 2 | 2 | 2 | 432 2273-01 | Guide | Styrning | |
| 20 | 1 | 1 | 1 | 471 8641-02 | Plug | Propp | |
| 21 | 2 | 2 | 2 | 471 8344-35 | Screw | Skruv | M6X16 |
| 22 | 2 | 2 | 2 | 735 2153-01 | Lock washer | Låsbricka | 6,4 |
| 23 | 2 | 2 | 2 | 471 7864-01 | Clip | Clips | M6 |
| 24 | 2 | 2 | 2 | 432 2180-01 | Spacer | Distans | |
| 25 | Rq | Rq | 1 | 432 6318-01 | Bracket | Hållare | Not used |
| 26 | Rq | Rq | 1 | 471 8861-02 | Level control | Nivåkontroll | Not used |
| 27 | Rq | Rq | 1 | 413 2915-01 | Cable set | Ledningssats | Not used |
| 28 | Rq | Rq | 1 | 471 2436-10 | Hose | Slang | Compass Control |
| 29 | Rq | Rq | 1 | 471 2265-69 | T-pipe | T-rör | Not used |



W585S Compass,W5105S Compass,W5130S Compass,W5180S Compass,W5250S Compass,W5330S Compass

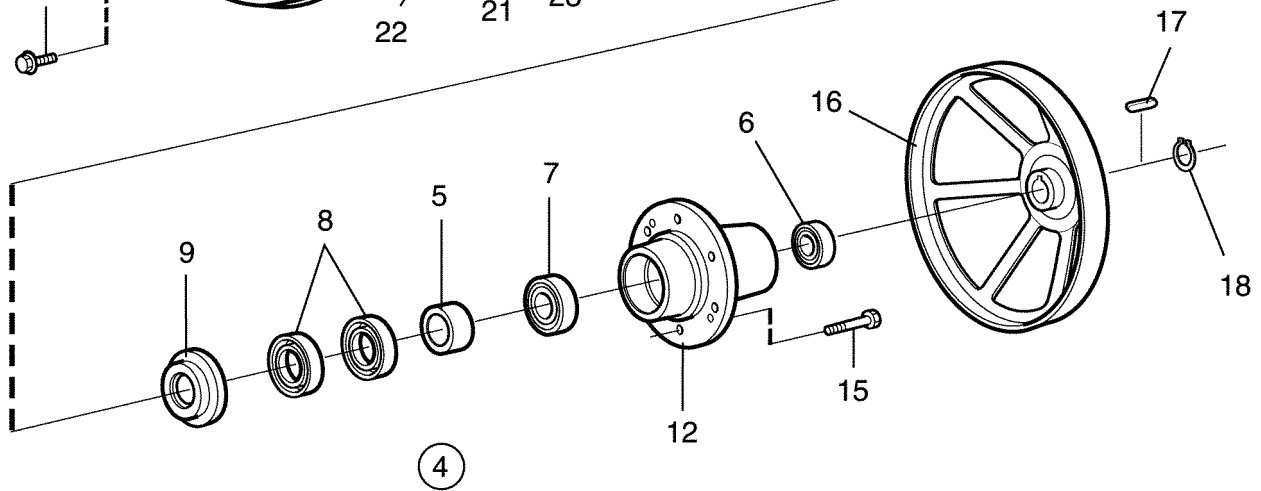
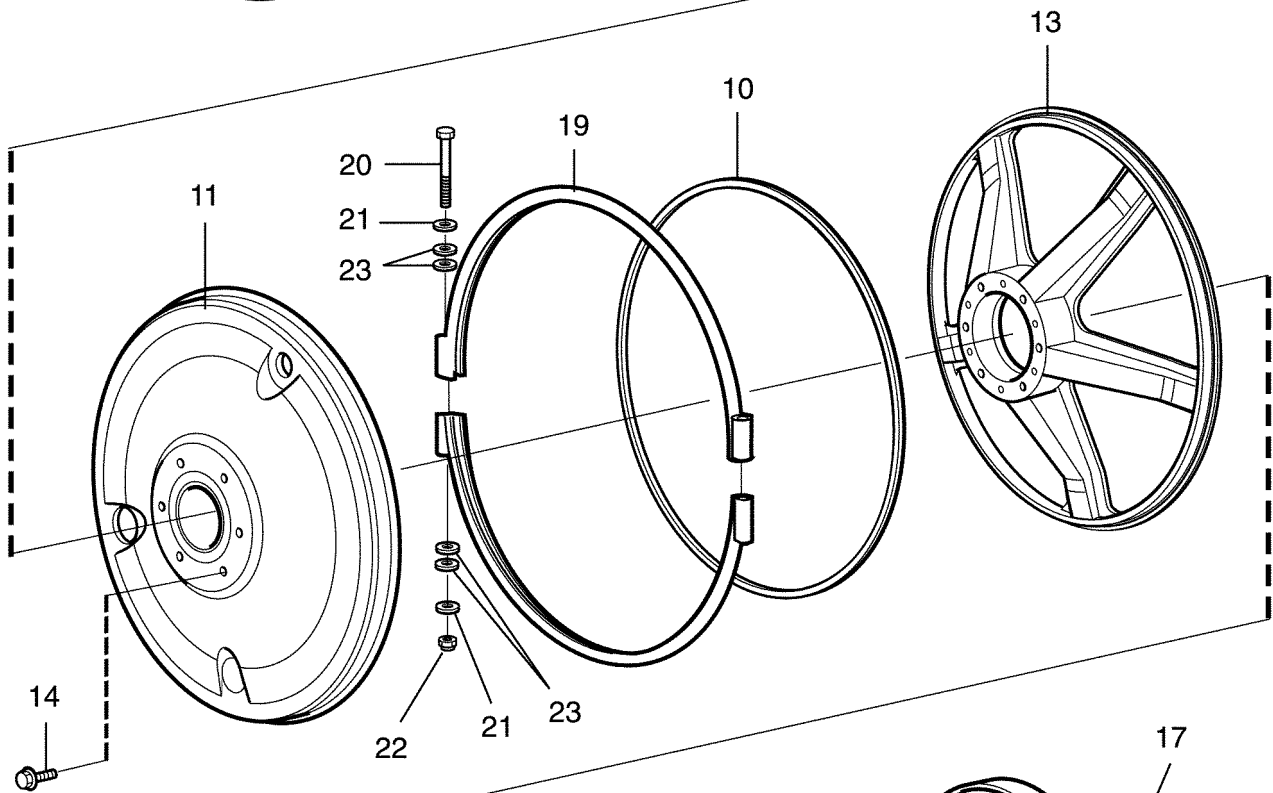
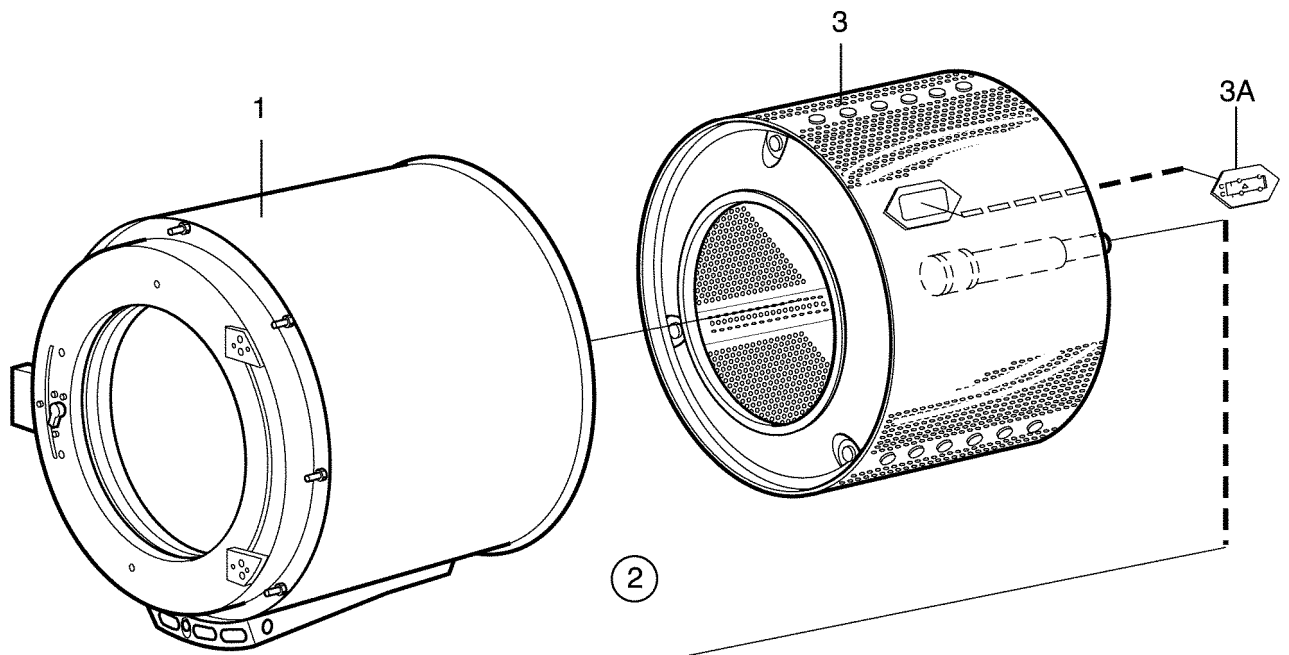
Drum, rear gable

Illustration Issue Month Year
Illustration Utgåva Månad År

Trumma,bakgavel

500281 1 4 2013

| Item Pos. | Quantity Antal | | Art.No Art.nr | Description | Benämning | Info Info | Notes Anmärkning |
|-----------|----------------|---|----------------|-----------------|------------------|-----------------|------------------|
| 1 | W585S Compass | | | | | | |
| | W5105S Compass | | | | | | |
| | W5130S Compass | | | | | | |
| | W5180S Compass | | | | | | |
| | W5250S Compass | | | | | | |
| | W5330S Compass | | | | | | |
| | 1 | 1 | | 432 1570-21 | Outer drum | Yttertrumma | Non-heated |
| | 1 | 1 | | 432 1570-22 | Outer drum | Yttertrumma | El/Dual heating |
| | 1 | 1 | | 432 1570-23 | Outer drum | Yttertrumma | Steam |
| | | 1 | | 432 1571-01 | Outer drum | Yttertrumma | Non-heated |
| | | 1 | | 432 1571-02 | Outer drum | Yttertrumma | El/Dual heating |
| | | 1 | | 432 1571-03 | Outer drum | Yttertrumma | Steam |
| | | 1 | | 432 1571-11 | Outer drum | Yttertrumma | Non-heated |
| | | 1 | | 432 1571-12 | Outer drum | Yttertrumma | El/Dual heating |
| | | 1 | | 432 1571-13 | Outer drum | Yttertrumma | Steam |
| | | | 1 | 432 1572-11 | Outer drum | Yttertrumma | Non-heated |
| | | | 1 | 432 1572-12 | Outer drum | Yttertrumma | El/Dual heating |
| | | | 1 | 432 1572-13 | Outer drum | Yttertrumma | Steam |
| | | | 1 | 432 1573-11 | Outer drum | Yttertrumma | Non-heated |
| | | | 1 | 432 1573-12 | Outer drum | Yttertrumma | El/Dual heating |
| | | 1 | 432 1573-13 | Outer drum | Yttertrumma | Steam | |
| 2 | | | 432 1574-31 | Outer drum | Yttertrumma | Non-heated | |
| | | | 432 1574-32 | Outer drum | Yttertrumma | El/Dual heating | |
| | | | 432 1574-33 | Outer drum | Yttertrumma | Steam | |
| | 1 | | 432 1605-41 | Rear gable | Bakgavel | Complete | |
| | | 1 | 432 1606-01 | Rear gable | Bakgavel | Complete | |
| | | 1 | 432 1606-03 | Rear gable | Bakgavel | Sluice | |
| | | 1 | 432 1606-21 | Rear gable | Bakgavel | Complete | |
| | | 1 | 432 1606-22 | Rear gable | Bakgavel | Complete Sluice | |
| | | 1 | 432 1607-21 | Rear gable | Bakgavel | Complete | |
| | | 1 | 432 1607-22 | Rear gable | Bakgavel | Sluice | |
| | | | 1 | 432 1608-21 | Rear gable | Bakgavel | Complete |
| | | | 1 | 432 1608-22 | Rear gable | Bakgavel | Sluice |
| 3 | 1 | | 432 1609-41 | Rear gable | Bakgavel | | |
| | | | 432 1500-21 | •Inner drum | •Innertrumma | | |
| | | 1 | 432 1501-01 | •Inner drum | •Innertrumma | | |
| | | 1 | 432 1501-02 | •Inner drum | •Innertrumma | Sluice | |
| | | 1 | 432 1501-11 | •Inner drum | •Innertrumma | | |
| | | 1 | 432 1501-12 | •Inner drum | •Innertrumma | Sluice | |
| | | 1 | 432 1502-11 | •Inner drum | •Innertrumma | | |
| | | 1 | 432 1502-12 | •Inner drum | •Innertrumma | Sluice | |
| 4 | | | 432 1503-11 | •Inner drum | •Innertrumma | | |
| | | | 432 1503-12 | •Inner drum | •Innertrumma | Sluice | |
| | | | 432 1504-21 | •Inner drum | •Innertrumma | | |
| | 1 | | 472 9913-12 | •Repair kit | •Renoveringssats | | |
| | | 1 | 472 9913-13 | •Repair kit | •Renoveringssats | | |
| | | 1 | 472 9913-14 | •Repair kit | •Renoveringssats | | |
| 5 | | 1 | 472 9913-18 | •Repair kit | •Renoveringssats | | |
| | | 1 | 472 9913-16 | •Repair kit | •Renoveringssats | | |
| 6 | 1 | 1 | ••Bushing | ••Bussning | | | |
| 7 | 1 | 1 | ••Ball bearing | ••Kullager | | | |
| 8 | 2 | 2 | ••Sealing ring | ••Tätningssring | | | |
| 9 | 1 | 1 | ••Sealing ring | ••Tätningssring | | | |
| 10 | 1 | | 438 8155-01 | ••Seal | ••Tätning | | |
| | | 1 | 438 8155-02 | ••Seal | ••Tätning | | |
| | | | 438 8155-03 | ••Seal | ••Tätning | | |
| | | | 438 8155-04 | ••Seal | ••Tätning | | |
| | | | 438 8155-05 | ••Seal | ••Tätning | | |



W585S Compass,W5105S Compass,W5130S Compass,W5180S Compass,W5250S Compass,W5330S Compass

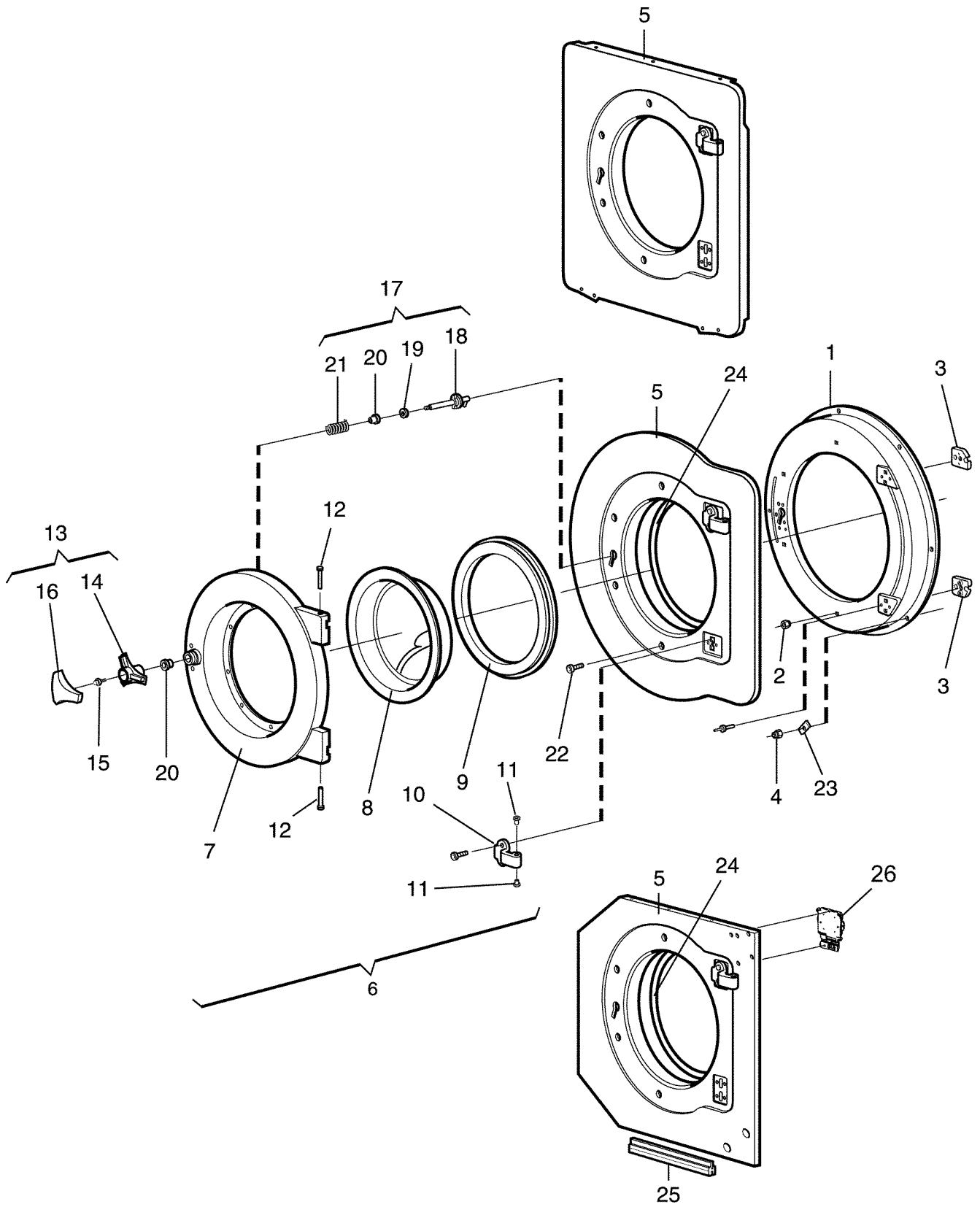
Drum, rear gable

Illustration Issue Month Year
Illustration Utgåva Månad År

Trumma,bakgavel

500281 1 4 2013

| Item Pos. | Quantity Antal | | | | | | Art.No Art.nr | Description | Benämning | Info Info | Notes Anmärkning |
|-----------|----------------|----|----|----|----|----|---------------|------------------|--------------|-----------|----------------------|
| | W585S Compass | | | | | | | | | | |
| | W5105S Compass | | | | | | | | | | |
| | W5130S Compass | | | | | | | | | | |
| | W5180S Compass | | | | | | | | | | |
| | W5250S Compass | | | | | | | | | | |
| | W5330S Compass | | | | | | | | | | |
| 11 | 1 | | | | | | 432 1545-01 | •Lining | •Klädselplåt | | |
| | | 1 | 1 | | | | 432 1546-01 | •Lining | •Klädselplåt | | |
| | | | | 1 | | | 432 1547-01 | •Lining | •Klädselplåt | | |
| | | | | | 1 | | 432 1548-01 | •Lining | •Klädselplåt | | |
| | | | | | | 1 | 432 1549-01 | •Lining | •Klädselplåt | | |
| 12 | 1 | | | | | | 432 1560-01 | •Bearing housing | •Lagerhus | | |
| | | 1 | 1 | | | | 432 1561-01 | •Bearing housing | •Lagerhus | | |
| | | | | 1 | | | 432 1562-01 | •Bearing housing | •Lagerhus | | |
| | | | | | 1 | | 432 1563-01 | •Bearing housing | •Lagerhus | | |
| | | | | | | 1 | 432 1564-01 | •Bearing housing | •Lagerhus | | |
| 13 | 1 | | | | | | 432 1540-01 | •End piece | •Gavel | | |
| | | 1 | 1 | | | | 432 1541-01 | •End piece | •Gavel | | |
| | | | | 1 | | | 432 1542-01 | •End piece | •Gavel | | |
| | | | | | 1 | | 432 1543-01 | •End piece | •Gavel | | |
| | | | | | | 1 | 432 1544-01 | •End piece | •Gavel | | |
| 14 | 6 | 6 | 6 | 6 | 6 | 10 | 471 8323-01 | •Screw | •Skruv | | M6X12 |
| 15 | 6 | 6 | 6 | 6 | 6 | 10 | 471 8328-02 | •Screw | •Skruv | | M12X50 |
| 16 | 1 | | | | | | 432 1550-01 | •Pulley | •Remskiva | | |
| | | 1 | 1 | | | | 432 1551-01 | •Pulley | •Remskiva | | |
| | | | | 1 | | | 432 1552-01 | •Pulley | •Remskiva | | |
| | | | | | 1 | | 432 1553-01 | •Pulley | •Remskiva | | |
| | | | | | | 1 | 432 1554-01 | •Pulley | •Remskiva | | |
| 17 | 1 | | | | | | 735 9370-01 | •Wedge | •Kil | | 10x8x45 |
| | | 1 | 1 | 1 | | | 735 9501-01 | •Wedge | •Plattkil | | 14x9x50 |
| | | | | | 1 | 1 | 735 9630-01 | •Wedge | •Plattkil | | 18x11x63 |
| 18 | 1 | | | | | | 735 3133-00 | •C-clamp | •Spårring | | SGA35 |
| | | 1 | 1 | 1 | | | 735 3139-00 | •C-clamp | •Spårring | | SGA 45 |
| | | | | | 1 | | 735 3144-00 | •C-clamp | •Spårring | | SgA55 |
| | | | | | | 1 | 735 3147-00 | •C-clamp | •Spårring | | SGA 60 |
| 19 | 2 | | | | | | 432 1565-01 | Tension strap | Spännband | | |
| | | 2 | 2 | | | | 432 1566-01 | Tension strap | Spännband | | |
| | | | | 2 | | | 432 1567-01 | Tension strap | Spännband | | |
| | | | | | 2 | | 432 1568-01 | Tension strap | Spännband | | |
| | | | | | | 2 | 432 1569-01 | Tension strap | Spännband | | |
| 20 | 2 | 2 | 2 | 2 | 2 | 2 | 471 9222-59 | Screw | Skruv | | M8X140 |
| 21 | 4 | 4 | 4 | 4 | 4 | | 471 8502-14 | Washer | Bricka | | BRB 8,4X17 |
| | | | | | | 4 | 471 8502-34 | Washer | Bricka | | 8,4x24x2 |
| 22 | 2 | 2 | 2 | 2 | 2 | 2 | 732 2118-01 | Locking nut | Låsmutter | | M8 |
| 23 | Rq | Rq | Rq | Rq | Rq | | 471 7807-02 | Tension plate | Spännbricka | | Not used 18x8,4x2 |



W585S Compass,W5105S Compass,W5130S Compass,W5180S Compass,W5250S Compass,W5330S Compass

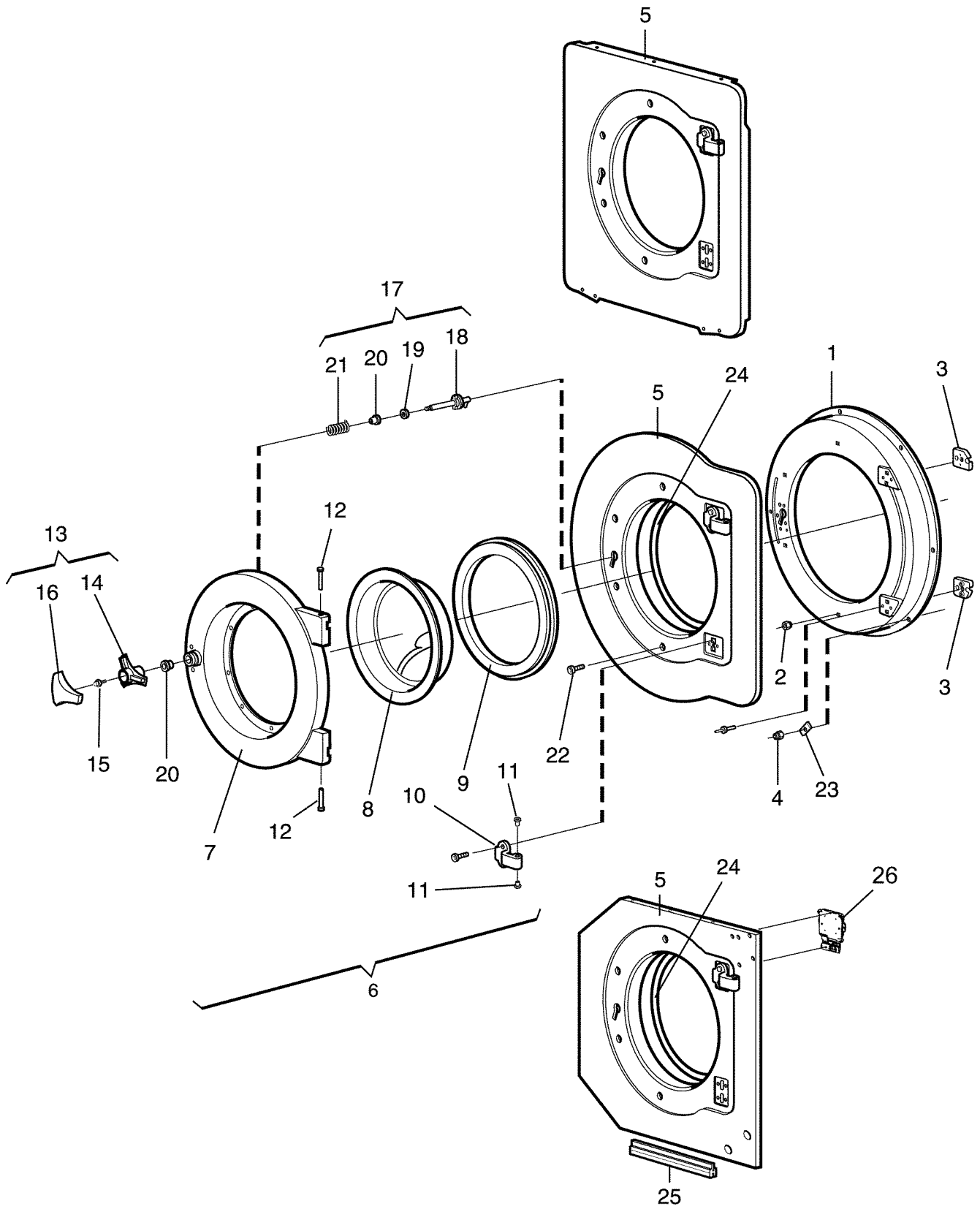
Door and hinged joint

Illustration Issue Month Year
Illustration Utgåva Månad År

Lucka och gångled

500504 3 12 2014

| Item Pos. | Quantity Antal | | Art.No Art.nr | Description | Benämning | Info Info | Notes Anmärkning |
|-----------|----------------|---|---------------|-------------|---------------|--------------|------------------|
| | W585S Compass | | | | | | |
| | W5105S Compass | | | | | | |
| | W5130S Compass | | | | | | |
| | W5180S Compass | | | | | | |
| | W5250S Compass | | | | | | |
| | W5330S Compass | | | | | | |
| 1 | 1 | | | 432 1870-01 | Support frame | Fästplatta | |
| | | 1 | 1 | 432 1871-01 | Support frame | Fästplatta | |
| | | | 1 | 432 1872-01 | Support frame | Fästplatta | |
| | | | 1 | 432 1873-01 | Support frame | Fästplatta | |
| | | | 1 | 432 1874-01 | Support frame | Fästplatta | |
| 2 | 4 | 4 | 4 | 4 | 4 | •Nut | M6 |
| 3 | 2 | 2 | 4 | 4 | 4 | •Bracket | •Fäste |
| 4 | 9 | 9 | 11 | 11 | 11 | 471 8404-02 | Locking nut |
| 5 | 1 | | | | | 432 1885-03 | Trim panel |
| | 1 | | | | | 432 1885-11 | Trim panel |
| | | 1 | 1 | | | 432 1886-02 | Trim panel |
| | | 1 | | | | 432 1886-11 | Trim panel |
| | | | 1 | | | 432 1889-02 | Trim panel |
| | | | 1 | 1 | | 432 1890-02 | Trim panel |
| 6 | 1 | | | | | 472 9953-01 | Door |
| | | 1 | 1 | | | 472 9953-02 | Door |
| | | | 1 | | | 472 9953-03 | Door |
| | | | 1 | | | 413 4212-02 | Door |
| | | | 1 | 1 | | 472 9953-04 | Door |
| | | | 1 | 1 | | 413 4312-02 | Door |
| 7 | 1 | | | | | •Door | •Lucka |
| | | 1 | 1 | | | •Door | •Lucka |
| | | | 1 | | | •Door | •Lucka |
| | | | 1 | 1 | | •Door | •Lucka |
| 8 | 1 | | | | | 432 1855-01 | •Door glass |
| | | 1 | 1 | | | 432 1856-01 | •Door glass |
| | | | 1 | | | 432 1857-01 | •Door glass |
| | | | 1 | 1 | | 432 1858-01 | •Door glass |
| | | | 1 | | | 432 1857-02 | •Door glass |
| | | | 1 | 1 | | 432 1858-02 | •Door glass |
| 9 | 1 | | | | | 432 1840-02 | •Door gasket |
| | 1 | | | | | 432 1840-03 | •Door gasket |
| | | 1 | 1 | | | 432 1841-02 | •Door gasket |
| | | 1 | 1 | | | 432 1841-04 | •Door gasket |
| | | | 1 | | | 432 1842-02 | •Door gasket |
| | | | 1 | | | 432 1842-03 | •Door gasket |
| | | | 1 | 1 | | 432 1843-02 | •Door gasket |
| | | | 1 | 1 | | 432 1843-04 | •Door gasket |
| 10 | 2 | 2 | 4 | 4 | 4 | 432 1950-02 | •Hinged joint |
| 11 | 4 | 4 | 8 | 8 | 8 | 438 4062-01 | •Bushing |
| 12 | 2 | 2 | | | | 432 1961-01 | •Pin |
| | | | 2 | 2 | 2 | 432 1962-01 | •Pin |
| 13 | 1 | 1 | 1 | 1 | 1 | 472 9957-01 | •Knob |
| 14 | 1 | 1 | 1 | 1 | 1 | ••Knob | ••Vred |
| 15 | 1 | 1 | 1 | 1 | 1 | 725 2366-61 | ••Skruv |
| 16 | 1 | 1 | 1 | 1 | 1 | 432 2270-02 | ••Knob |
| 17 | 1 | 1 | 1 | 1 | 1 | 472 9920-01 | •Lock shaft |
| 18 | 1 | 1 | 1 | 1 | 1 | ••Lock shaft | ••Låsaxel |
| 19 | 1 | 1 | 1 | 1 | 1 | ••Washer | ••Bricka |



W585S Compass,W5105S Compass,W5130S Compass,W5180S Compass,W5250S Compass,W5330S Compass

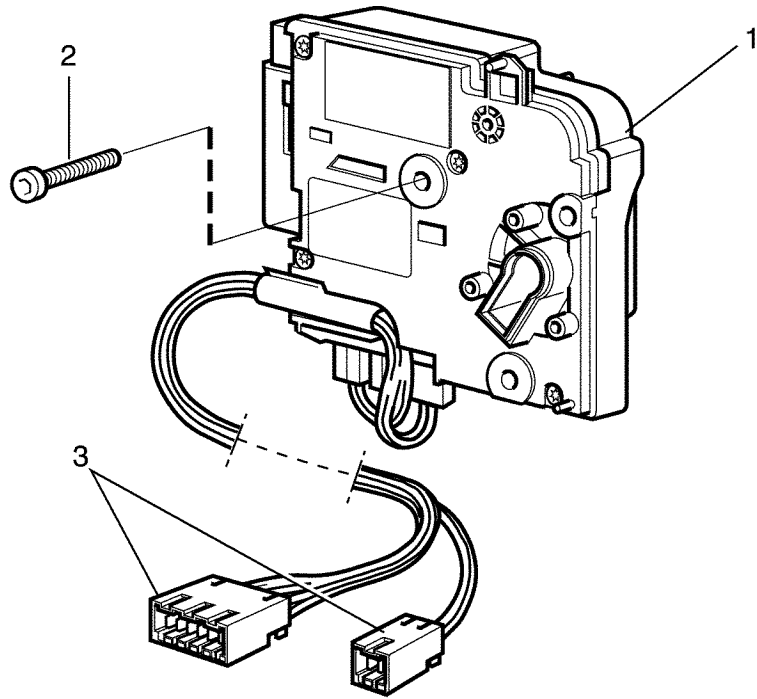
Door and hinged joint

Illustration Issue Month Year
Illustration Utgåva Månad År

Lucka och gångled

500504 3 12 2014

| Item Pos. | Quantity Antal | | | | | | Art.No Art.nr | Description | Benämning | Info Info | Notes Anmärkning |
|-----------|----------------|----|----|----|----|----|---------------|------------------|--------------|--------------------|------------------|
| | W585S Compass | | | | | | | | | | |
| | W5105S Compass | | | | | | | | | | |
| | W5130S Compass | | | | | | | | | | |
| | W5180S Compass | | | | | | | | | | |
| | W5250S Compass | | | | | | | | | | |
| | W5330S Compass | | | | | | | | | | |
| 20 | 2 | 2 | 2 | 2 | 2 | 2 | | ••Bushing | ••Bussning | | |
| 21 | 1 | 1 | 1 | 1 | 1 | 1 | | ••Torsion spring | ••Vridfjäder | | |
| 22 | 8 | 8 | 8 | 12 | 12 | 12 | 471 8344-36 | Screw | Skruv | | |
| 23 | 9 | 9 | 9 | 11 | 11 | 11 | 471 8527-01 | Spring washer | Fjäderbricka | | |
| 24 | 1 | | | | | | 438 8115-01 | Rubber strip | Gummilist | L=1065 | |
| | | 1 | 1 | | | | 438 8115-02 | Rubber strip | Gummilist | L=1255 | |
| | | | | 1 | | | 438 8115-03 | Rubber strip | Gummilist | L=1350 | |
| | | | | | 1 | 1 | 438 8115-04 | Rubber strip | Gummilist | L=1470 | |
| 25 | Rq | Rq | Rq | Rq | Rq | | 432 2198-02 | Rubber strip | Gummilist | Not used | |
| 26 | 1 | 1 | 1 | | | | 432 6937-01 | I/O module | I/O modul | Not used Type 6 | |



W585S Compass,W5105S Compass,W5130S Compass,W5180S Compass,W5250S Compass,W5330S Compass

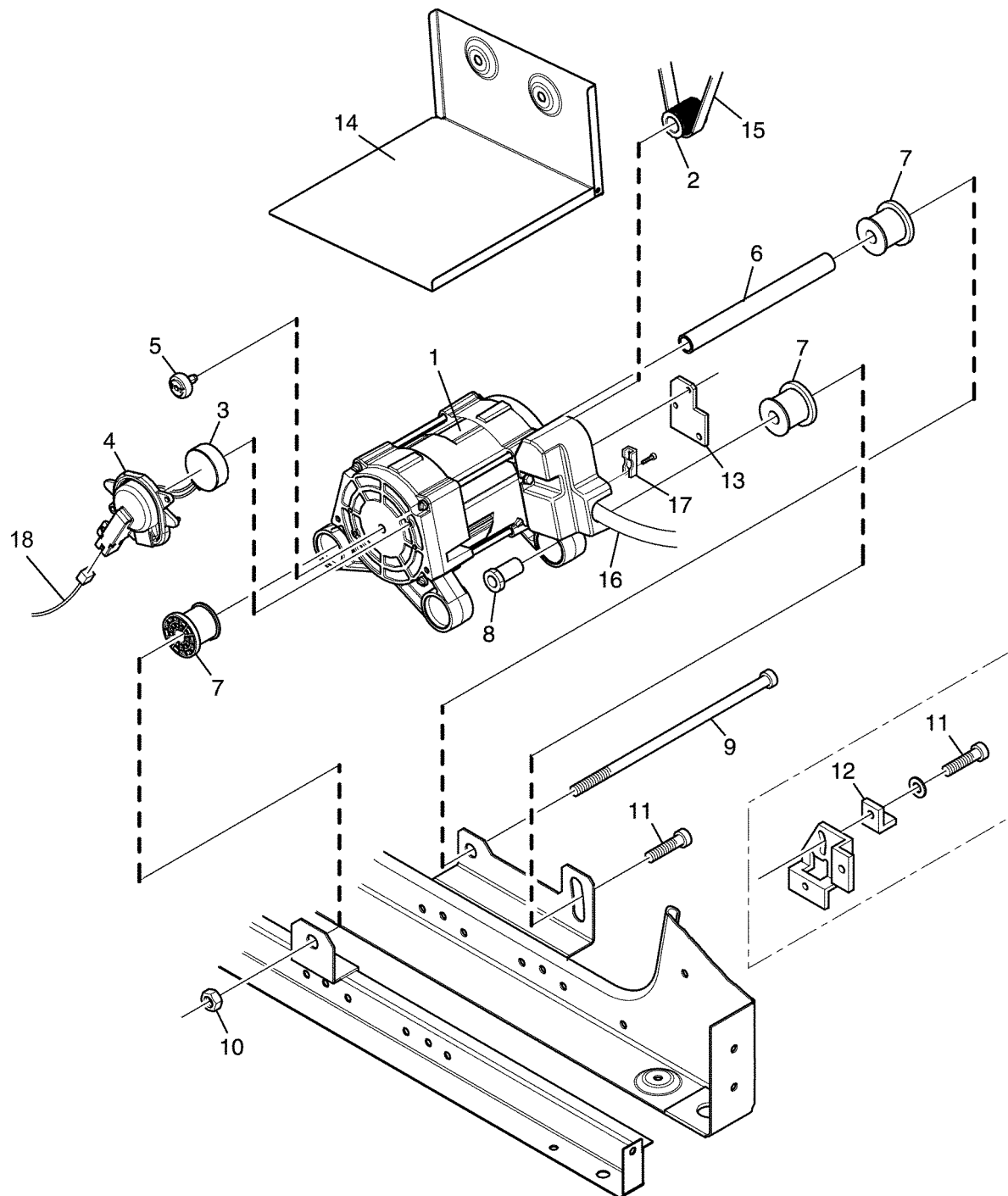
Door lock

Illustration Issue Month Year
Illustration Utgåva Månad År

Lucklås

500283 1 4 2013

| Item Pos. | Quantity Antal | | Art.No Art.nr | Description | Benämning | Info Info | Notes Anmärkning |
|-----------|----------------|---|---------------|-------------|--|---------------|------------------|
| | W585S Compass | | | | | | |
| | W5105S Compass | | | | | | |
| | W5130S Compass | | | | | | |
| | W5180S Compass | | | | | | |
| | W5250S Compass | | | | | | |
| | W5330S Compass | | | | | | |
| 1 | 1 | 1 | 1 | 1 | 438 9561-01 Door locking device | | Complete M6X25 |
| 2 | 3 | 3 | 3 | 3 | 471 8342-47 Screw | Lucklås Skruv | |
| 3 | 1 | 1 | 1 | 1 | 432 2905-28 Cable set | Ledningssats | |
| | | | | | 432 2905-30 Cable set | Ledningssats | |
| | | | | | 432 2905-32 Cable set | Ledningssats | |
| | | | | | 432 2905-34 Cable set | Ledningssats | |
| | | | | 1 | 432 2905-36 Cable set | Ledningssats | |



W585S Compass,W5105S Compass,W5130S Compass,W5180S Compass,W5250S Compass,W5330S Compass

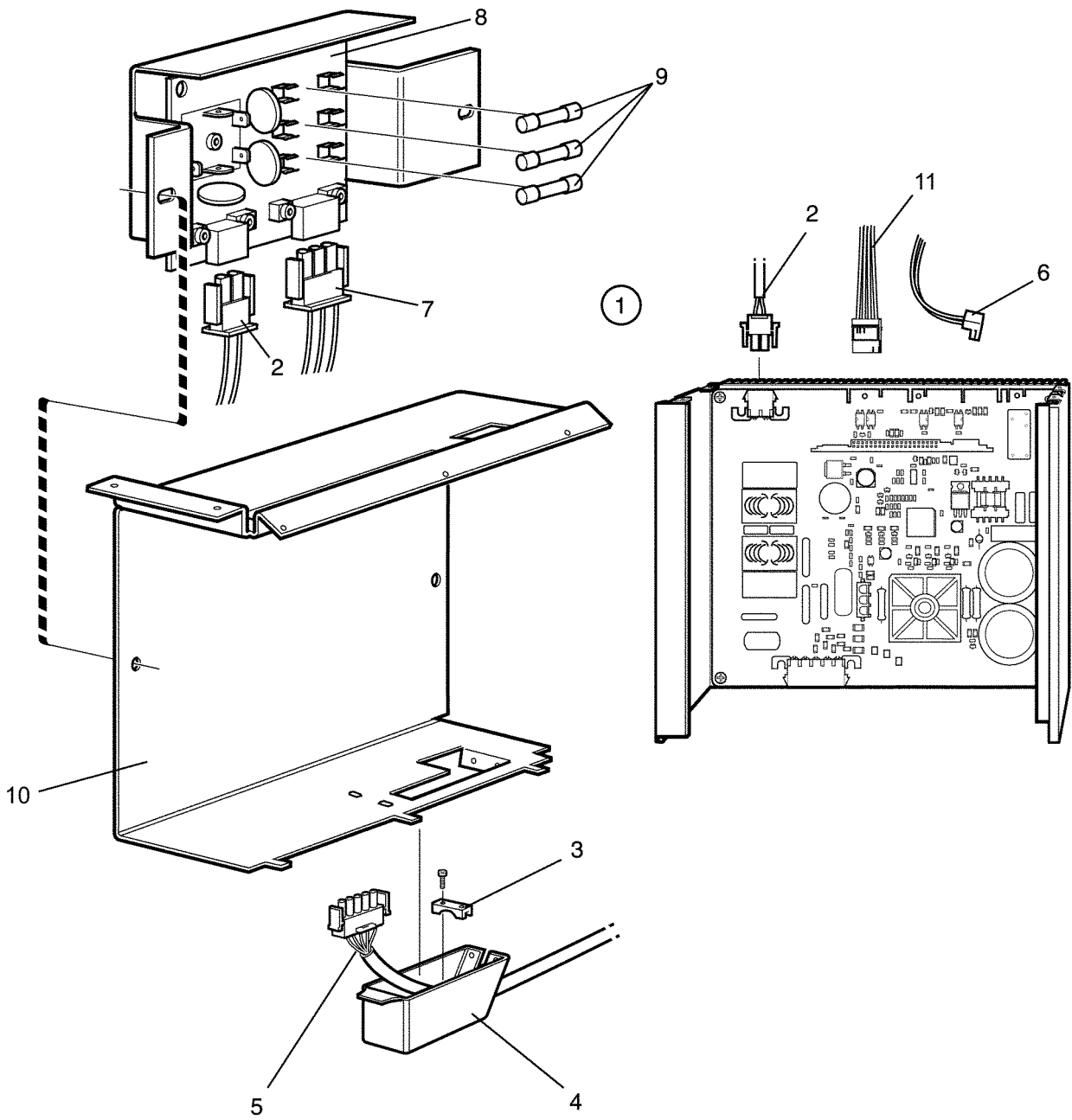
Motor

Illustration Issue Month Year
Illustration Utgåva Månad År

Motor

500310 1 4 2013

| Item Pos. | Quantity Antal | | Art.No Art.nr | Description | Benämning | Info Info | Notes Anmärkning |
|-----------|----------------|----|---------------|-----------------------------|----------------|-----------|------------------------|
| | W585S Compass | | | | | | |
| | W5105S Compass | | | | | | |
| | W5130S Compass | | | | | | |
| | W5180S Compass | | | | | | |
| | W5250S Compass | | | | | | |
| | W5330S Compass | | | | | | |
| 1 | 1 | 1 | | 413 9701-21 Motor | Motor | | |
| | | 1 | | 438 9702-61 Motor | Motor | | |
| | | | 1 | 438 9703-51 Motor | Motor | | |
| | | | | 438 9704-41 Motor | Motor | | |
| | | | | 438 9705-02 Motor | Motor | | |
| 2 | 1 | 1 | 1 | 471 8826-01 •Pulley | •Remskiva | | |
| 3 | 1 | 1 | 1 | 471 8826-01 •Tacho sensor | •Tachogivare | | |
| 4 | 1 | 1 | 1 | 432 1229-01 •Cover | •Kåpa | | |
| 5 | 1 | 1 | 1 | 471 8827-01 •Magnet | •Magnet | | |
| 6 | 1 | 1 | 1 | •Pipe | •Rör | | |
| 7 | 3 | 3 | 3 | 438 8158-01 •Rubber bushing | •Gummibussning | | |
| | | | 3 | 438 8158-02 •Rubber bushing | •Gummibussning | | |
| 8 | 1 | 1 | 1 | 432 1465-01 •Flange bushing | •Flänsbussning | | |
| 9 | 1 | 1 | 1 | 471 8356-10 Screw | Skruv | | M12x200 |
| | | | 1 | 471 8356-05 Screw | Skruv | | M12x240 |
| | | | 1 | 471 8356-08 Screw | Skruv | | M12X300 |
| 10 | 1 | 1 | 1 | 732 2122-01 Locking nut | Låsmutter | | M12 |
| 11 | 1 | 1 | 1 | 471 8328-10 Screw | Skruv | | M12X35 |
| 12 | Rq | Rq | | | | | Not used |
| | | | 1 | 432 1455-01 Washer | Bricka | | |
| 13 | 1 | 1 | 1 | 438 9799-03 Cover | Lock | | |
| 14 | 1 | 1 | 1 | 413 1211-01 Drip guard | Droppskydd | | |
| | | | 1 | 413 1212-01 Drip guard | Droppskydd | | |
| | | | | 413 1213-01 Drip guard | Droppskydd | | |
| | | | | 413 1214-01 Drip guard | Droppskydd | | |
| 15 | 1 | | | 471 7711-14 Ribbed belt | Poly-V-rem | | |
| | | 1 | | 471 7711-15 Ribbed belt | Poly-V-rem | | |
| | | | 1 | 471 7711-09 Ribbed belt | Poly-V-rem | | |
| | | | | 471 7711-10 Ribbed belt | Poly-V-rem | | |
| | | | 1 | 471 7705-05 Ribbed belt | Poly-V-rem | | |
| | | | | 471 7705-06 Ribbed belt | Poly-V-rem | | |
| 16 | 1 | | | 413 2990-03 Cable set | Ledningsatts | | |
| | | 1 | 1 | 413 2990-04 Cable set | Ledningsatts | | |
| | | | 1 | 413 2990-05 Cable set | Ledningsatts | | |
| | | | 1 | 432 2991-02 Cable set | Ledningsatts | | |
| 17 | 1 | 1 | 1 | 438 9799-02 Clamp | Klamma | | |
| 18 | 1 | 1 | 1 | 413 3272-10 Cable set | Ledningsatts | | See illustr. 500283 |



W585S Compass,W5105S Compass,W5130S Compass,W5180S Compass,W5250S Compass,W5330S Compass

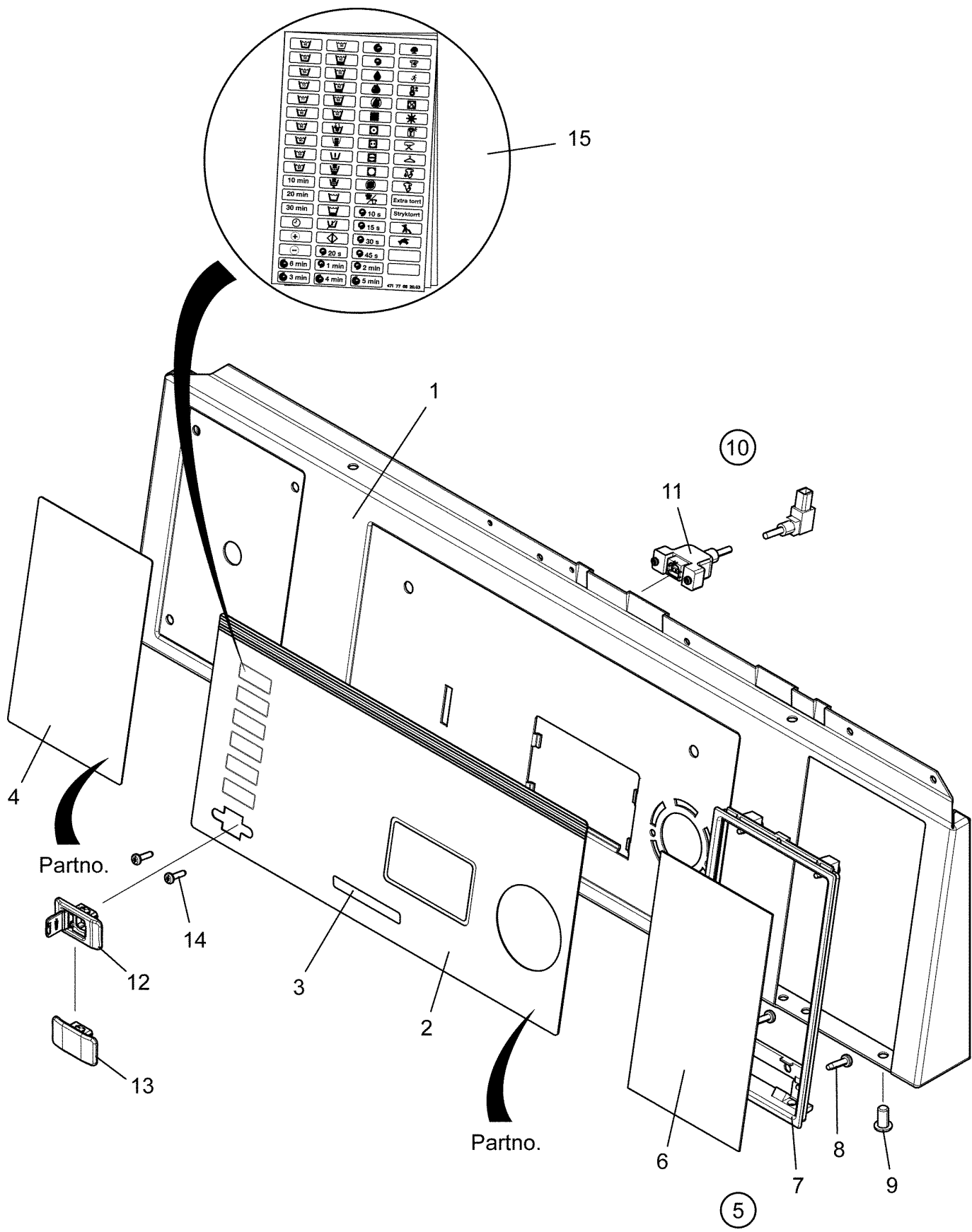
Motor control unit

Illustration Issue Month Year
Illustration Utgåva Månad År

Motorstyrningsenhet

500285 1 4 2013

| Item Pos. | Quantity Antal | | Art.No Art.nr | Description | Benämning | Info Info | Notes Anmärkning |
|-----------|----------------|---|---------------|-------------|-----------------------|---------------------|----------------------|
| | W585S Compass | | | | | | |
| | W5105S Compass | | | | | | |
| | W5130S Compass | | | | | | |
| | W5180S Compass | | | | | | |
| | W5250S Compass | | | | | | |
| | W5330S Compass | | | | | | |
| 1 | 1 | 1 | 1 | 472 9929-31 | Motor control unit | Motorstyrningsenhet | 200-240V |
| | 1 | 1 | 1 | 472 9929-32 | Motor control unit | Motorstyrningsenhet | 200-240V Japan/TW |
| | | | 1 | 472 9929-41 | Motor control unit | Motorstyrningsenhet | 1 200-240V |
| | | | 1 | 472 9929-51 | Motor control unit | Motorstyrningsenhet | 1 200-240V |
| 2 | 1 | 1 | 1 | 413 2918-01 | •Cable set | •Ledningssats | 2-pole |
| | 1 | 1 | 1 | 413 2918-02 | •Cable set | •Ledningssats | 2-pole Trafo |
| | 1 | 1 | 1 | 413 2918-09 | •Cable set | •Ledningssats | 2-pole Japan/TW |
| | | | 1 | 413 2918-03 | •Cable set | •Ledningssats | 2-pole |
| | | | 1 | 413 2918-04 | •Cable set | •Ledningssats | 2-pole Trafo |
| | | | 1 | 413 2918-07 | •Cable set | •Ledningssats | 2-pole Japan/TW |
| | | | 1 | 413 2918-05 | •Cable set | •Ledningssats | 4-pole |
| | | | 1 | 413 2918-06 | •Cable set | •Ledningssats | 4-pole Trafo |
| | | | 1 | 413 2918-08 | •Cable set | •Ledningssats | 4-pole Japan/TW |
| 3 | 1 | 1 | 1 | 438 9799-12 | Clamp | Klamma | |
| 4 | 1 | 1 | 1 | 438 9799-01 | Cover | Kåpa | |
| 5 | 1 | 1 | 1 | | Cable set | Ledningssats | See motor |
| 6 | 1 | | | 413 3084-26 | Cable set | Ledningssats | P-bus - X302 |
| | | 1 | 1 | 413 3084-10 | Cable set | Ledningssats | P-bus - X302 |
| | | | 1 | 413 3084-27 | Cable set | Ledningssats | P-bus - X302 |
| | | | 1 | 413 3084-21 | Cable set | Ledningssats | P-bus - X302 |
| | | | 1 | 413 3084-23 | Cable set | Ledningssats | P-bus - X302 |
| 7 | 1 | 1 | 1 | 432 2961-01 | Cable set | Ledningssats | 3AC Japan |
| | | | 1 | 432 2925-01 | Cable set | Ledningssats | |
| 8 | 1 | 1 | 1 | 438 8774-02 | Printed circuit board | Kretskort | |
| 9 | 3 | 3 | 3 | 471 8768-02 | Fuse | Säkring | 15A |
| 10 | 1 | 1 | 1 | 472 9938-01 | Cover | Skydd | |
| | | | 1 | 472 9938-02 | Cover | Skydd | |
| | | | 1 | 472 9938-03 | Cover | Skydd | |
| 11 | 1 | 1 | 1 | 413 3276-07 | Cable set | Ledningssats | M-COM |
| | | | 1 | 413 3276-08 | Cable set | Ledningssats | M-COM |
| | | | 1 | 413 3276-11 | Cable set | Ledningssats | M-COM |
| | | | 1 | 413 3276-09 | Cable set | Ledningssats | M-COM |



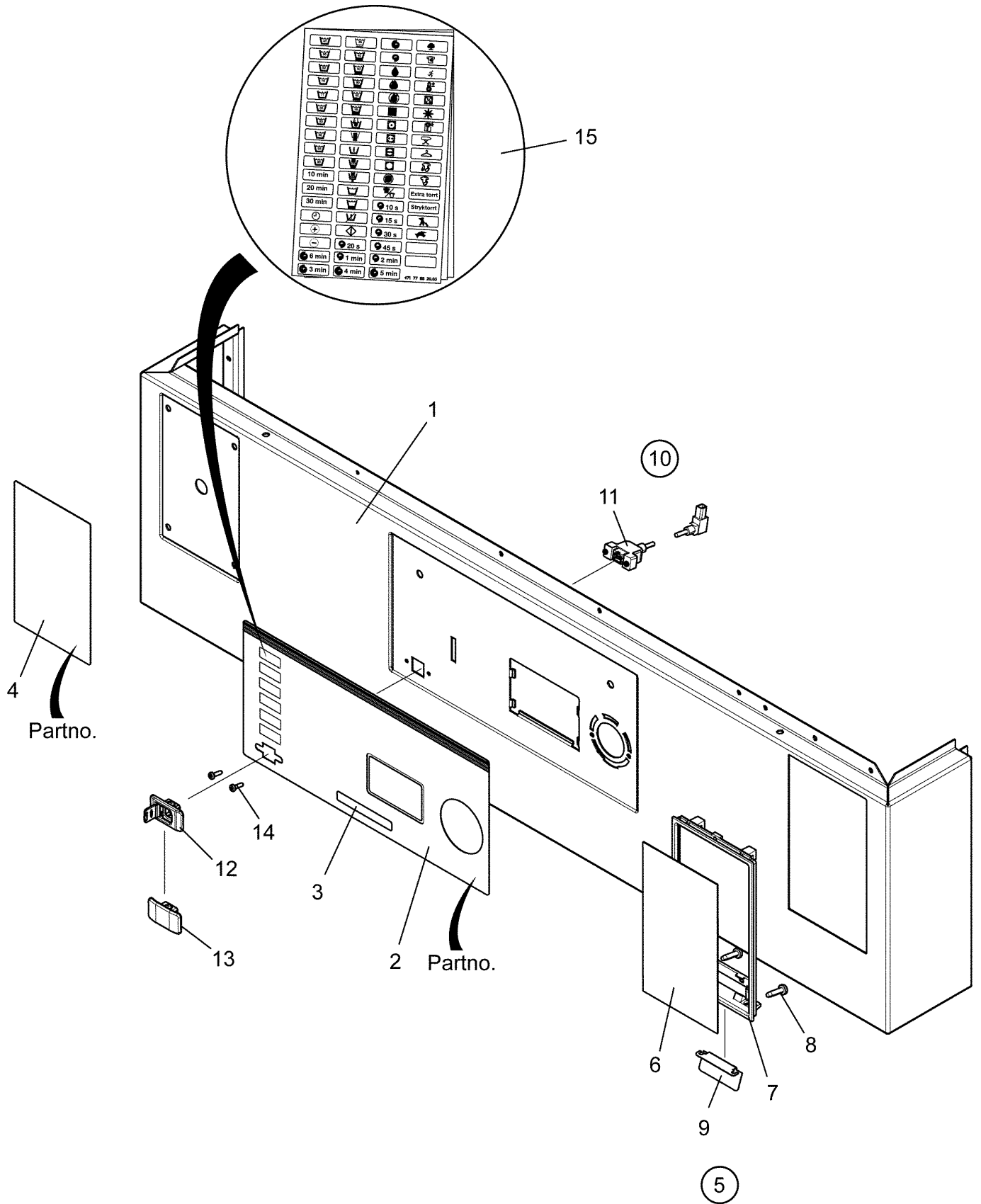
W585S Compass,W5105S Compass,W5130S Compass

Control panel

Manöverpanel

Illustration Issue Month Year
Illustration Utgåva Månad År
500371 1 4 2013

| Item Pos. | Quantity Antal | Art.No Art.nr | Description | Benämning | Info Info | Notes Anmärkning | |
|-----------|----------------|---------------|-------------------|-------------------|-----------|------------------------------------|---------------|
| | | | W585S Compass | | | | |
| | | | W5105S Compass | | | | |
| | | | W5130S Compass | | | | |
| 1 | 1 | 432 2360-01 | Front panel | Frontpanel | | | |
| 2 | 1 | 432 2361-01 | Front panel | Frontpanel | | Check sign for correct part number | |
| | 1 | | Panel sign | Panelskylt | | | |
| | 1 | 472 5797-10 | Panel sign | Panelskylt | | | |
| | 1 | 472 5797-12 | Panel sign | Panelskylt | | | |
| | 1 | 472 5797-13 | Panel sign | Panelskylt | | | |
| | 1 | 472 5797-30 | Panel sign | Panelskylt | | | |
| | 1 | 472 5797-35 | Panel sign | Panelskylt | | | |
| | 1 | 472 5797-40 | Panel sign | Panelskylt | | | |
| | 1 | 472 5797-80 | Panel sign | Panelskylt | | | |
| | 1 | 472 5797-50 | Panel sign | Panelskylt | | | |
| | 1 | 472 5797-51 | Panel sign | Panelskylt | | | |
| 3 | 1 | 413 2622-01 | Type plate | Typskylt | | | Coin Wascomat |
| | 1 | 413 2631-07 | Type plate | Typskylt | | | OPL Wascomat |
| | 1 | 413 2631-08 | Type plate | Typskylt | | | W585S |
| | 1 | 413 2623-03 | Type plate | Typskylt | | | SU720cc |
| | 1 | 413 2631-13 | Type plate | Typskylt | | SU720co | |
| | 1 | 413 2631-14 | Type plate | Typskylt | | W5105S | |
| | 1 | 413 2624-03 | Type plate | Typskylt | | SU725co | |
| | 1 | 413 2631-10 | Type plate | Typskylt | | SU730cc | |
| | 1 | 413 2631-11 | Type plate | Typskylt | | SU730co | |
| 4 | | | Instruction plate | Instruktionsskylt | | Check sign for correct part number | |
| | 1 | 432 2653-10 | Instruction plate | Instruktionsskylt | | | |
| | 1 | 432 2653-11 | Instruction plate | Instruktionsskylt | | | |
| | 1 | 432 2653-12 | Instruction plate | Instruktionsskylt | | | |
| | 1 | 432 2653-14 | Instruction plate | Instruktionsskylt | | | |
| | 1 | 432 2653-15 | Instruction plate | Instruktionsskylt | | | |
| | 1 | 432 2653-30 | Instruction plate | Instruktionsskylt | | | |
| | 1 | 432 2653-31 | Instruction plate | Instruktionsskylt | | | |
| | 1 | 432 2653-80 | Instruction plate | Instruktionsskylt | | | |
| 5 | 1 | 472 9955-07 | Cover plates | Täckplåtar | | Kit compl. | |
| 6 | 1 | | •Cover plate | •Täckplåt | | | |
| 7 | 1 | | •Frame | •Ram | | | |
| 8 | 4 | | •Screw | •Skruv | | | |
| 9 | 2 | | •Screw | •Skruv | | | |
| 10 | 1 | 472 9956-03 | Cable | Kabel | | USB Kit | |
| 11 | 1 | 413 2936-01 | •Cable | •Kabel | | USB | |
| 12 | 1 | 472 9956-01 | •Cover | •Skydd | | Kit | |
| 13 | 1 | 472 9956-02 | •Blind plug | •Blindpropp | | Kit | |
| 14 | 2 | 471 8340-13 | Screw | Skruv | | RTS 3,5X13 | |
| 15 | 1 | 472 9940-02 | Stickers kit | Etikett sats | | | |
| | 1 | 472 9940-04 | Stickers kit | Etikett sats | | Japan | |



W5180S Compass,W5250S Compass,W5330S Compass

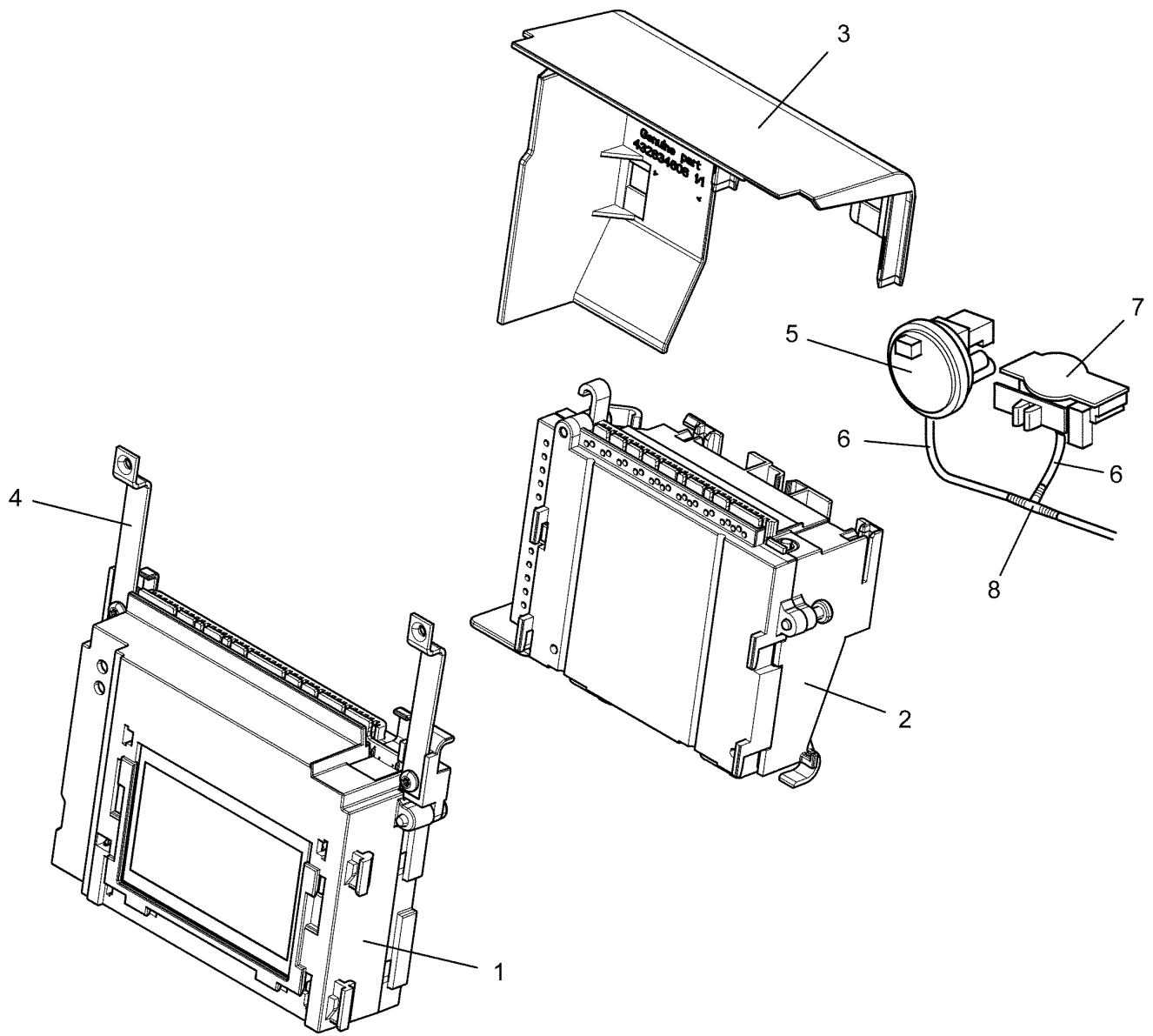
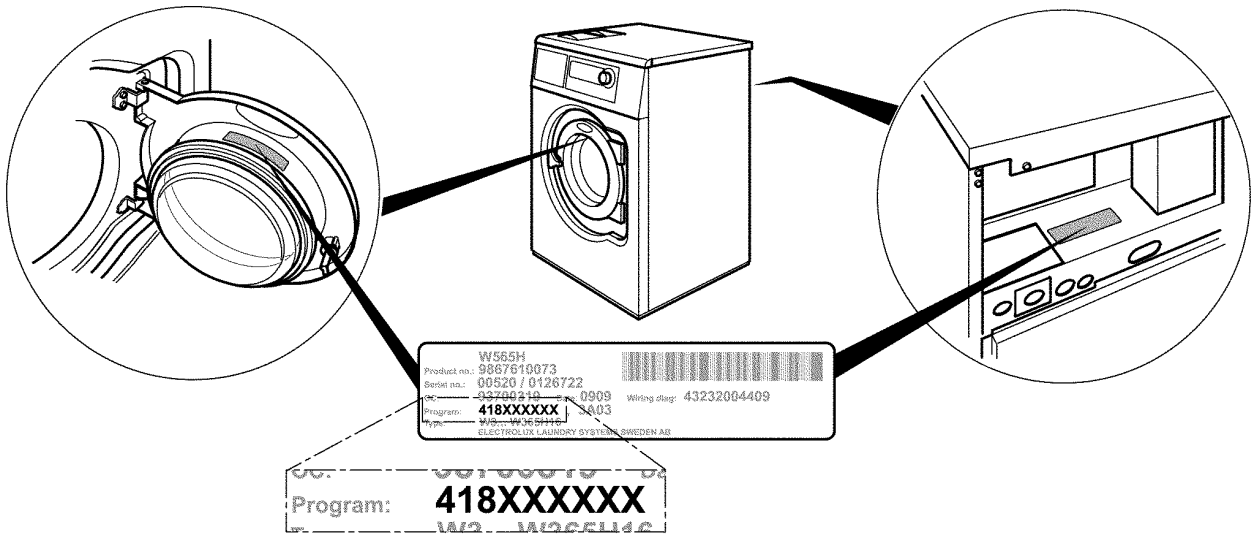
Control panel

Illustration Issue Month Year
Illustration Utgåva Månad År

Manöverpanel

500372 1 4 2013

| Item Pos. | Quantity Antal | Art.No Art.nr | Description | Benämning | Info Info | Notes Anmärkning |
|-----------|----------------|---------------|-------------------|-------------------|-----------|------------------------------------|
| | | | W5180S Compass | | | |
| | | | W5250S Compass | | | |
| | | | W5330S Compass | | | |
| 1 | 1 | 432 2363-01 | Front panel | Frontpanel | | |
| | 1 | 432 2364-01 | Front panel | Frontpanel | | |
| 2 | 1 | 432 2365-01 | Front panel | Frontpanel | | Check sign for correct part number |
| | | | Panel sign | Panelskylt | | |
| | 1 | 472 5797-10 | Panel sign | Panelskylt | | |
| | 1 | 472 5797-12 | Panel sign | Panelskylt | | |
| | 1 | 472 5797-13 | Panel sign | Panelskylt | | |
| | 1 | 472 5797-30 | Panel sign | Panelskylt | | |
| | 1 | 472 5797-35 | Panel sign | Panelskylt | | |
| | 1 | 472 5797-40 | Panel sign | Panelskylt | | |
| | 1 | 472 5797-80 | Panel sign | Panelskylt | | |
| | 1 | 472 5797-50 | Panel sign | Panelskylt | | |
| | 1 | 472 5797-51 | Panel sign | Panelskylt | | Coin Wascomat |
| 3 | 1 | 413 2625-03 | Type plate | Typskylt | | OPL Wascomat |
| | 1 | 413 2631-27 | Type plate | Typskylt | | W5180S |
| | 1 | 413 2631-28 | Type plate | Typskylt | | SU745co |
| | 1 | 413 2626-01 | Type plate | Typskylt | | SU745cc |
| | 1 | 413 2631-35 | Type plate | Typskylt | | W5250S |
| | 1 | 413 2631-36 | Type plate | Typskylt | | SU762co |
| | 1 | 413 2629-01 | Type plate | Typskylt | | SU762cc |
| | 1 | 413 2631-43 | Type plate | Typskylt | | W5330S |
| | 1 | 413 2631-44 | Type plate | Typskylt | | SU777co |
| 4 | | | Instruction plate | Instruktionsskylt | | SU777cc |
| | 1 | 432 2653-10 | Instruction plate | Instruktionsskylt | | Check sign for correct part number |
| | 1 | 432 2653-11 | Instruction plate | Instruktionsskylt | | |
| | 1 | 432 2653-12 | Instruction plate | Instruktionsskylt | | |
| | 1 | 432 2653-14 | Instruction plate | Instruktionsskylt | | |
| | 1 | 432 2653-15 | Instruction plate | Instruktionsskylt | | |
| | 1 | 432 2653-30 | Instruction plate | Instruktionsskylt | | |
| | 1 | 432 2653-31 | Instruction plate | Instruktionsskylt | | |
| | 1 | 432 2653-80 | Instruction plate | Instruktionsskylt | | |
| 5 | 1 | 472 9955-07 | Cover plates | Täckplåtar | | Kit compl. |
| 6 | 1 | | •Cover plate | •Täckplåt | | |
| 7 | 1 | | •Frame | •Ram | | |
| 8 | 4 | | •Screw | •Skruv | | |
| 9 | 1 | | •Mounting plate | •Monteringsplåt | | |
| 10 | 1 | 472 9956-03 | Cable | Kabel | | USB Kit |
| 11 | 1 | 413 2936-01 | •Cable | •Kabel | | USB |
| 12 | 1 | 472 9956-01 | •Cover | •Skydd | | Kit |
| 13 | 1 | 472 9956-02 | •Blind plug | •Blindpropp | | Kit |
| 14 | 2 | 471 8340-13 | Screw | Skruv | | RTS 3,5X13 |
| 15 | 1 | 472 9940-02 | Stickers kit | Etikett sats | | |
| | 1 | 472 9940-04 | Stickers kit | Etikett sats | | Japan |



W585S Compass,W5105S Compass,W5130S Compass,W5180S Compass,W5250S Compass,W5330S Compass

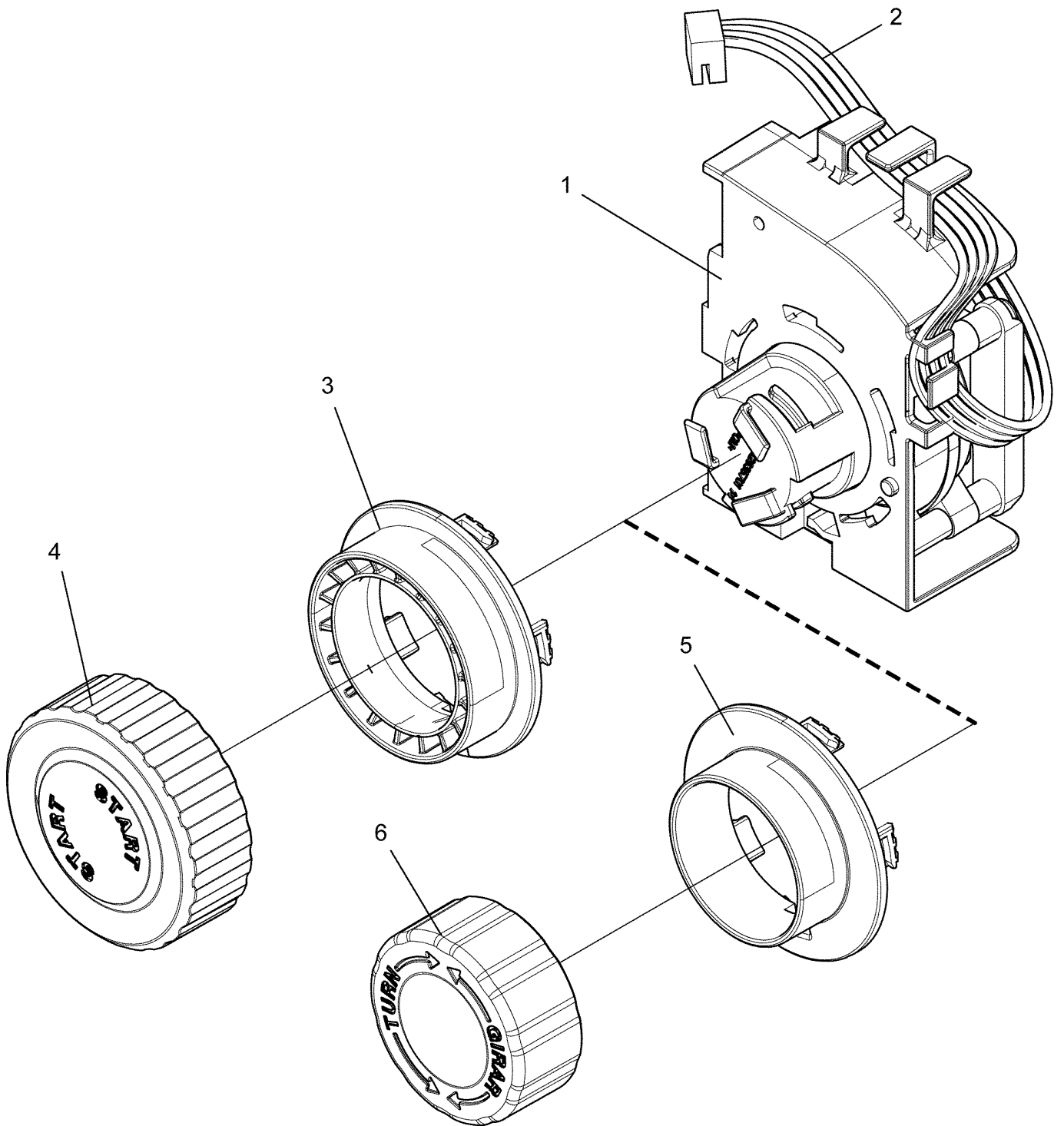
CPU

Illustration Issue Month Year
Illustration Utgåva Månad År

CPU

500231 1 4 2013

| Item Pos. | Quantity Antal | Art.No Art.nr | Description | Benämning | Info Info | Notes Anmärkning |
|---|----------------|---------------|-----------------|----------------|-----------|--|
| W585S Compass,W5105S Compass,W5130S Compass,W5180S Compass,W5250S Compass | | | | | | |
| W5330S Compass | | | | | | |
| 1 | 1 | 432 6820-02 | CPU | CPU | | Without software. Software available on website Type 10 L=70 |
| 2 | 1 | 432 6809-01 | I/O module | I/O modul | | |
| 3 | 1 | 432 6346-06 | Cover | Skydd | | |
| 4 | 2 | 432 6353-02 | Ground terminal | Jordanslutning | | |
| | 2 | 432 6353-03 | Ground terminal | Jordanslutning | | |
| 5 | 1 | 471 8861-03 | Level guard | Nivåvakt | | |
| 6 | 2 | 471 2442-41 | Hose | Slang | | |
| 7 | 1 | 471 8863-02 | Level guard | Nivåvakt | | |
| 8 | 1 | 471 2265-69 | T-pipe | T-rör | | |



W585S Compass,W5105S Compass,W5130S Compass,W5180S Compass,W5250S Compass,W5330S Compass

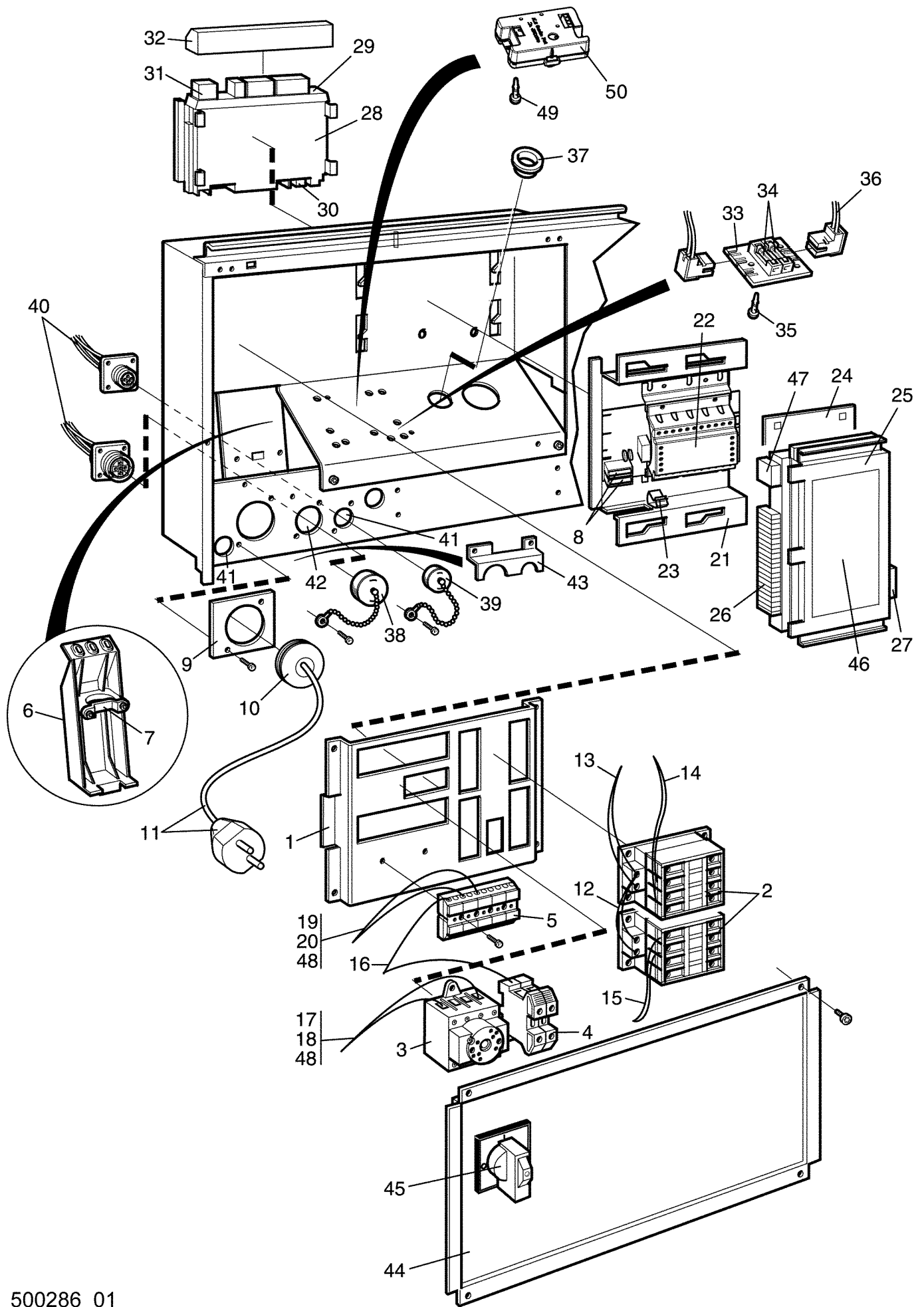
Program selector

Illustration Issue Month Year
Illustration Utgåva Månad År

Programväljare

500323 1 4 2013

| Item Pos. | Qua. Ant. | Art.No Art.nr | Description | Benämning | Info Info | Notes Anmärkning |
|-----------|-----------|--------------------|------------------|----------------|-----------|------------------|
| 1 | 1 | 432 6810-02 | Program selector | Programväljare | | Complete |
| 2 | 1 | 413 3274-20 | Cable set | Ledningssats | | 4-pole |
| 3 | 1 | 432 6356-01 | Cover | Lock | | |
| 4 | 1 | 432 6355-02 | Knob | Vred | | |
| 5 | 1 | 432 6373-01 | Cover | Lock | | Wascomat |
| 6 | 1 | 432 6372-01 | Knob | Vred | | Wascomat |



W585S Compass,W5105S Compass,W5130S Compass,W5180S Compass,W5250S Compass,W5330S Compass

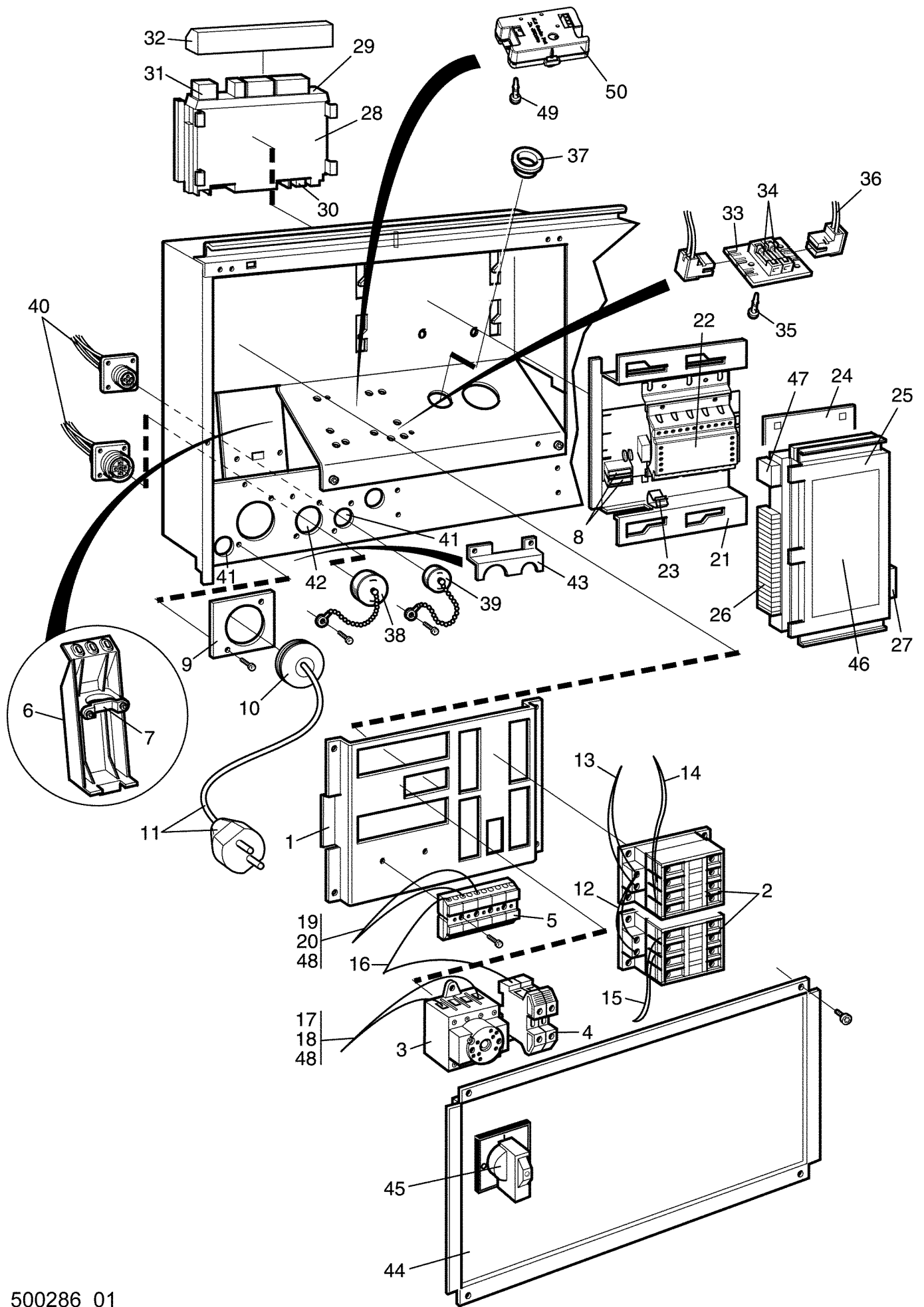
Electric components connection

Illustration Issue Month Year
Illustration Utgåva Månad År

Eldetaljer anslutning

500286 1 4 2013

| Item Pos. | Quantity Antal | | | | | | | Art.No Art.nr | Description | Benämning | Info Info | Notes Anmärkning |
|-----------|----------------|----------------|----------------|----------------|----------------|----|----|---------------|-------------------|------------------------|-----------|--------------------|
| | W585S Compass | | | | | | | | | | | |
| | | W5105S Compass | | | | | | | | | | |
| | | | W5130S Compass | | | | | | | | | |
| | | | | W5180S Compass | | | | | | | | |
| | | | | | W5250S Compass | | | | | | | |
| | | | | | W5330S Compass | | | | | | | |
| 1 | 1 | 1 | 1 | 1 | 1 | 1 | 1 | 432 2154-01 | Mounting plate | Monteringsplåt | | |
| 2 | 1 | Rq | Rq | Rq | Rq | Rq | Rq | 438 9636-22 | Contactora | Kontaktor | | 50Hz |
| | 1 | Rq | Rq | Rq | Rq | Rq | Rq | 438 9636-23 | Contactora | Kontaktor | | 60Hz |
| | 1 | Rq | Rq | Rq | Rq | Rq | Rq | 438 9636-24 | Contactora | Kontaktor | | 50/60Hz |
| | 1 | 1 | | | | 1 | 1 | 438 9636-92 | Contactora | Kontaktor | | 50Hz |
| | 1 | 1 | | | | 1 | 1 | 438 9636-93 | Contactora | Kontaktor | | 60Hz |
| | 1 | 1 | | | | 1 | 1 | 438 9636-94 | Contactora | Kontaktor | | 50/60Hz |
| 3 | Rq | Rq | Rq | Rq | Rq | Rq | Rq | 438 9678-01 | Main switch | Huvudbrytare | | 3-pole, 32A |
| | Rq | Rq | Rq | Rq | Rq | Rq | Rq | 438 9678-02 | Main switch | Huvudbrytare | | 3-pole, 40A |
| | Rq | Rq | Rq | Rq | Rq | Rq | Rq | 438 9678-03 | Main switch | Huvudbrytare | | 3-pole, 63A |
| | Rq | Rq | Rq | Rq | Rq | Rq | Rq | 438 9678-04 | Main switch | Huvudbrytare | | 3-pole, 80A |
| | Rq | Rq | Rq | Rq | Rq | Rq | Rq | 438 9678-11 | Main switch | Huvudbrytare | | 4-pole, 32A |
| | Rq | Rq | Rq | Rq | Rq | Rq | Rq | 438 9678-12 | Main switch | Huvudbrytare | | 4-pole, 40A |
| | Rq | Rq | Rq | Rq | Rq | Rq | Rq | 438 9678-13 | Main switch | Huvudbrytare | | 4-pole, 63A |
| | Rq | Rq | Rq | Rq | Rq | Rq | Rq | 438 9678-14 | Main switch | Huvudbrytare | | 4-pole, 80A |
| 4 | 2 | 2 | 2 | 2 | 2 | 2 | 2 | 471 8767-01 | Block | Plint | | SL10 |
| | 2 | 2 | 2 | 2 | 2 | 2 | 2 | 471 8767-02 | Block | Plint | | SL16 |
| 5 | 1 | 1 | 1 | 1 | 1 | 1 | 1 | 471 8783-01 | Block | Plint | | 5-pole |
| | 1 | 1 | 1 | 1 | 1 | 1 | 1 | 471 8783-03 | Block | Plint | | 3-pole |
| | 1 | 1 | 1 | 1 | 1 | 1 | 1 | 471 8783-04 | Block | Plint | | 4-pole |
| 6 | 1 | 1 | 1 | 1 | 1 | 1 | 1 | 432 2258-01 | Plate | Plåt | | |
| | 1 | 1 | 1 | 1 | 1 | 1 | 1 | 432 2214-01 | Cable clamp | Kabelklämma | | PLASTIC |
| 7 | 1 | 1 | 1 | 1 | 1 | 1 | 1 | 471 7859-16 | Clamp | Klämma | | Upper part |
| 8 | 1 | 1 | 1 | 1 | 1 | 1 | 1 | 471 8750-16 | Fuse | Säkring | | 3,15A |
| 9 | 1 | 1 | 1 | 1 | 1 | 1 | 1 | 432 2199-01 | Plate | Plåt | | Ø21 |
| | 1 | 1 | 1 | 1 | 1 | 1 | 1 | 432 2199-03 | Plate | Plåt | | Ø26 |
| | 1 | 1 | 1 | 1 | 1 | 1 | 1 | 432 2199-05 | Plate | Plåt | | Ø33 |
| 10 | 1 | 1 | 1 | 1 | 1 | 1 | 1 | 438 8720-01 | Grommet | Genomföring | | M25 |
| | 1 | 1 | 1 | 1 | 1 | 1 | 1 | 438 8720-02 | Grommet | Genomföring | | M32 |
| | 1 | 1 | 1 | 1 | 1 | 1 | 1 | 438 8720-03 | Grommet | Kabelgenomföring | | M40 |
| 11 | 1 | 1 | 1 | 1 | 1 | 1 | 1 | 490 4440-17 | Cable | Kabel | | |
| 12 | Rq | | | | | | | | | | | Not used |
| | | 1 | 1 | 1 | 1 | 1 | 1 | 432 2984-01 | Cable set | Ledningssats | | |
| 13 | 1 | 1 | 1 | 1 | 1 | 1 | 1 | 413 3182-02 | Cable set | Ledningssats | | Heating |
| | 1 | 1 | 1 | 1 | 1 | 1 | 1 | 413 2915-02 | Cable set | Ledningssats | | MOP Heating MOP |
| 14 | Rq | Rq | Rq | Rq | Rq | Rq | Rq | 432 2954-03 | Cable set | Ledningssats | | |
| 15 | Rq | Rq | Rq | Rq | Rq | Rq | Rq | 432 2954-13 | Cable set | Ledningssats | | |
| | Rq | Rq | Rq | Rq | Rq | Rq | Rq | 432 2954-14 | Cable set | Ledningssats | | MOP |
| 16 | 1 | 1 | 1 | 1 | | | | 432 2983-03 | Cable set | Ledningssats | | |
| | | | | | 1 | 1 | | 432 2983-04 | Cable set | Ledningssats | | |
| 17 | 1 | 1 | 1 | 1 | 1 | 1 | 1 | 432 3092-86 | Cable set | Ledningssats | | |
| 18 | 1 | 1 | 1 | 1 | 1 | 1 | 1 | 432 3106-01 | Cable set | Ledningssats | | Trafo |
| 19 | 1 | 1 | 1 | 1 | 1 | 1 | 1 | 413 3082-35 | Cable set | Ledningssats | | |
| 20 | 1 | 1 | 1 | 1 | 1 | 1 | 1 | 413 2905-02 | Cable set | Ledningssats | | Trafo |
| 21 | 1 | 1 | 1 | 1 | 1 | 1 | 1 | 432 2257-01 | Mounting plate | Monteringsplåt | | |
| 22 | 1 | 1 | 1 | 1 | 1 | 1 | 1 | 432 6805-07 | Power supply unit | Strömförsörjningsenhet | | 3,15A |
| 23 | 1 | 1 | 1 | 1 | 1 | 1 | 1 | 432 6320-01 | Clamp | Klamma | | |
| 24 | 1 | 1 | 1 | 1 | 1 | 1 | 1 | 432 2256-01 | Plate | Plåt | | |
| 25 | 1 | 1 | 1 | 1 | 1 | 1 | 1 | 432 6930-03 | I/O module | I/O modul | | Type 2 |
| 26 | Rq | Rq | Rq | Rq | Rq | Rq | Rq | 438 8701-01 | Multistik | Kantanslutning | | |
| | Rq | Rq | Rq | Rq | Rq | Rq | Rq | 438 8701-03 | Multistik | Kantanslutning | | |
| 27 | 1 | 1 | 1 | 1 | 1 | 1 | 1 | 413 3274-01 | Cable set | Ledningssats | | D-bus |



W585S Compass,W5105S Compass,W5130S Compass,W5180S Compass,W5250S Compass,W5330S Compass

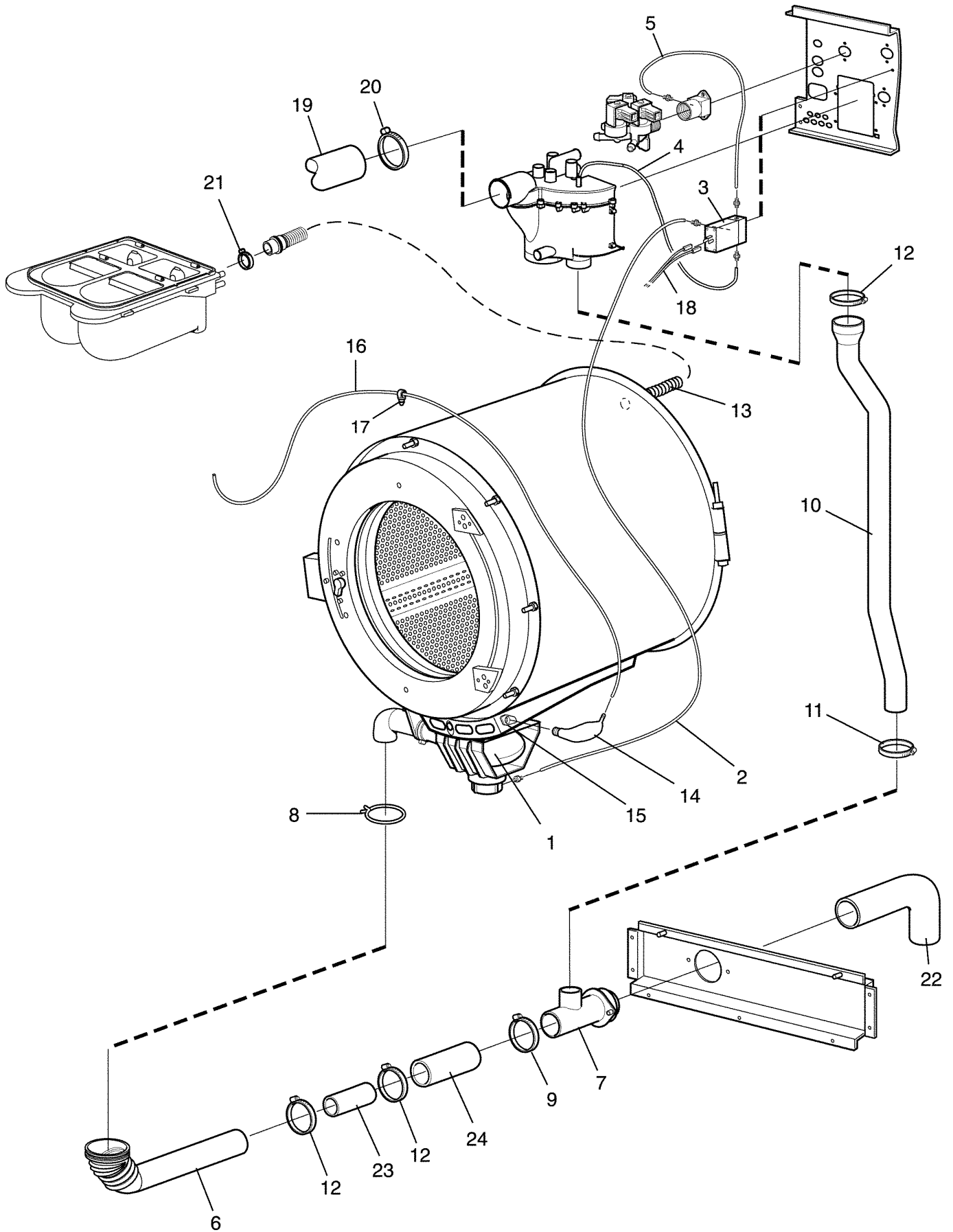
Electric components connection

Illustration Issue Month Year
Illustration Utgåva Månad År

Eldetaljer anslutning

500286 1 4 2013

| Item Pos. | Quantity Antal | | | | | | Art.No Art.nr | Description | Benämning | Info Info | Notes Anmärkning |
|-----------|----------------|---|---|---|---|---|---------------|-----------------------|--------------|-----------|----------------------------|
| | W585S Compass | | | | | | | | | | |
| | W5105S Compass | | | | | | | | | | |
| | W5130S Compass | | | | | | | | | | |
| | W5180S Compass | | | | | | | | | | |
| | W5250S Compass | | | | | | | | | | |
| | W5330S Compass | | | | | | | | | | |
| 28 | | 1 | 1 | 1 | 1 | 1 | 432 6903-03 | I/O module | I/O modul | | Type 1 |
| | 1 | 1 | 1 | 1 | 1 | 1 | 432 6903-02 | I/O module | I/O modul | | Type 11 |
| | 1 | 1 | 1 | 1 | 1 | 1 | 432 6933-03 | I/O module | I/O modul | | Type 3 |
| 29 | | | | | | | | Sign | Skylt | | |
| 30 | 1 | 1 | 1 | 1 | 1 | 1 | 413 3274-32 | Cable set | Ledningssats | | 4-pole |
| 31 | 1 | 1 | 1 | 1 | 1 | 1 | 413 3084-25 | Cable set | Ledningssats | | 4-pole |
| 32 | 1 | 1 | 1 | 1 | 1 | 1 | 432 6323-01 | Cover | Skydd | | |
| 33 | 1 | 1 | 1 | 1 | 1 | 1 | 438 8797-02 | Printed circuit board | Kretskort | | |
| 34 | 2 | 2 | 2 | 2 | 2 | 2 | 471 8750-11 | •Fuse | •Säkring | | 1,25A |
| 35 | 3 | 3 | 3 | 3 | 3 | 3 | 471 7960-02 | Support | Stöd | | |
| 36 | 1 | 1 | 1 | 1 | 1 | 1 | 413 3082-05 | Cable set | Ledningssats | | |
| 37 | 1 | 1 | 1 | 1 | 1 | 1 | 471 7984-01 | Grommet | Genomföring | | |
| 38 | 1 | 1 | 1 | 1 | 1 | 1 | 438 7950-02 | Cover washer | Täckbricka | | 14-pole |
| 39 | 1 | 1 | 1 | 1 | 1 | 1 | 438 7950-01 | Cover washer | Täckbricka | | 4-pole |
| 40 | 1 | 1 | 1 | 1 | 1 | 1 | 413 2946-01 | Cable set | Ledningssats | | |
| 41 | 2 | 2 | 2 | 2 | 2 | 2 | 471 7977-03 | Cover plug | Täckpropp | | |
| 42 | 1 | 1 | 1 | 1 | 1 | 1 | 471 7977-04 | Cover plug | Täckpropp | | |
| 43 | 1 | 1 | 1 | 1 | 1 | 1 | 432 1220-01 | Cover | Skydd | | |
| 44 | 1 | 1 | 1 | 1 | 1 | 1 | 432 3604-01 | Cover | Lock | | With hole |
| | 1 | 1 | 1 | 1 | 1 | 1 | 432 3604-02 | Cover | Lock | | Without hole |
| 45 | 1 | 1 | 1 | 1 | 1 | 1 | 471 9678-94 | Knob | Vred | | |
| 46 | 1 | 1 | 1 | 1 | 1 | 1 | 471 4673-93 | Sign | Skylt | | I/O-card type 2 |
| 47 | 1 | 1 | 1 | 1 | 1 | 1 | 413 3084-02 | Cable set | Ledningssats | | 4-pole P-bus |
| 48 | 1 | 1 | | | | | 413 2918-01 | Cable set | Ledningssats | | 2-pole 10A |
| | 1 | 1 | | | | | 413 2918-02 | Cable set | Ledningssats | | 2-pole Trafo and choke 10A |
| | | | 1 | | | | 413 2918-03 | Cable set | Ledningssats | | 2-pole 16A |
| | | | 1 | | | | 413 2918-04 | Cable set | Ledningssats | | 2-pole Trafo and choke 16A |
| | | | | 1 | 1 | 1 | 413 2918-05 | Cable set | Ledningssats | | 4-pole 20A |
| | | | | 1 | 1 | 1 | 413 2918-06 | Cable set | Ledningssats | | 4-pole Trafo and choke 20A |
| 49 | 4 | 4 | 4 | 4 | 4 | 4 | 471 7958-02 | Support | Stöd | | |
| 50 | 1 | 1 | 1 | 1 | 1 | 1 | 413 1226-01 | Printed circuit board | Kretskort | | ELS Network interface |



W585S Compass,W5105S Compass,W5130S Compass,W5180S Compass,W5250S Compass,W5330S Compass

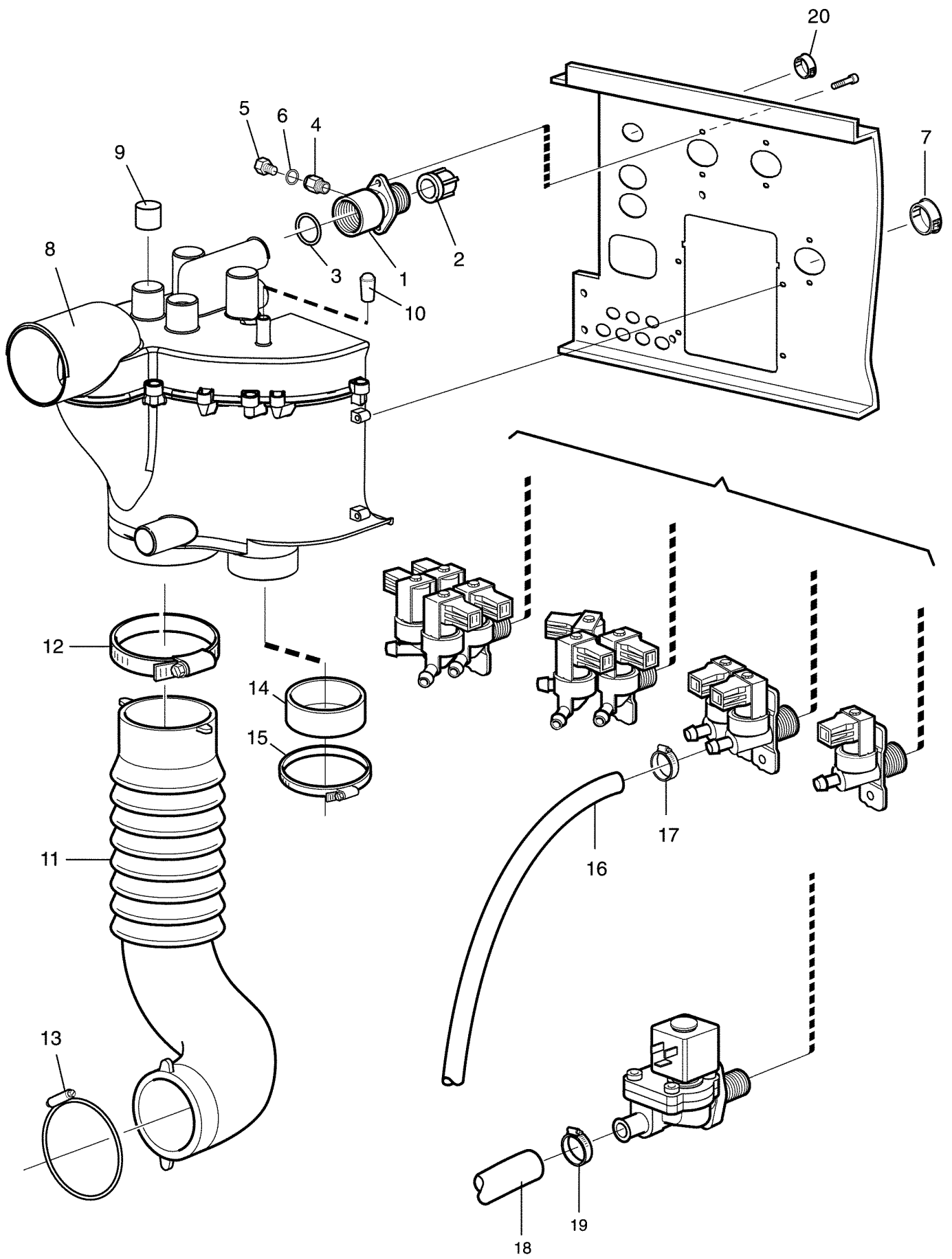
Drain valve and hoses

Illustration Issue Month Year
Illustration Utgåva Månad År

Avloppsventil och slangar

500311 2 3 2014

| Item Pos. | Quantity Antal | | | | | | | Art.No Art.nr | Description | Benämning | Info Info | Notes Anmärkning |
|-----------|----------------|----|----|----|----|----|----|------------------|-----------------------|---------------|----------------|---------------------|
| | W585S Compass | | | | | | | | | | | |
| | W5105S Compass | | | | | | | | | | | |
| | W5130S Compass | | | | | | | | | | | |
| | W5180S Compass | | | | | | | | | | | |
| | W5250S Compass | | | | | | | | | | | |
| | W5330S Compass | | | | | | | | | | | |
| 1 | 1 | 1 | 1 | 1 | 1 | 1 | 1 | 432 2502-01 | Drain valve | Avloppsventil | | |
| 2 | 1 | 1 | 1 | | | | | 471 8139-11 | Hose | Slang | L=1900 | |
| | | | | 1 | | | | 471 8139-15 | Hose | Slang | L=2100 | |
| | | | | | 1 | 1 | | 471 8139-16 | Hose | Slang | L=2250 | |
| 3 | 1 | 1 | 1 | 1 | 1 | 1 | 1 | 471 8243-07 | Solenoid valve | Magnetventil | 230V 50Hz | |
| | 1 | 1 | 1 | 1 | 1 | 1 | 1 | 471 8243-08 | Solenoid valve | Magnetventil | 208-240V 60Hz | |
| | 1 | 1 | 1 | 1 | 1 | 1 | 1 | 471 8243-09 | Solenoid valve | Magnetventil | 120V 60Hz | |
| | 1 | 1 | 1 | 1 | 1 | 1 | 1 | 471 8243-10 | Solenoid valve | Magnetventil | 230V 50/60Hz | |
| 4 | 1 | 1 | 1 | 1 | 1 | 1 | 1 | 438 8102-06 | Hose | Slang | Japan L=330 | |
| 5 | 1 | 1 | 1 | 1 | 1 | 1 | 1 | 471 8139-01 | Hose | Slang | L=330 | |
| 6 | 1 | | | | | | | 432 2527-03 | Hose | Slang | | |
| | | 1 | | | | | | 432 2527-05 | Hose | Slang | | |
| | | | 1 | | | | | 432 2527-04 | Hose | Slang | | |
| | | | | 1 | | | | 432 2527-01 | Hose | Slang | | |
| | | | | | 1 | | | 432 2527-02 | Hose | Slang | | |
| | | | | | | 1 | | 432 2522-01 | Hose | Slang | | |
| 7 | 1 | 1 | 1 | | | | | 413 5003-01 | Drain pipe connection | Avloppsstos | | |
| | | | | 1 | 1 | 1 | | 432 2511-01 | Drain pipe connection | Avloppsstos | | |
| 8 | 1 | 1 | 1 | 1 | 1 | 1 | 1 | 736 2846-51 | Hose clamp | Slangklämma | Ø73-83 | |
| 9 | 1 | 1 | 1 | 1 | 1 | 1 | 1 | 736 2846-51 | Hose clamp | Slangklämma | Ø73-83 | |
| 10 | 1 | | | | | | | 432 2528-01 | Hose | Slang | | |
| | | 1 | 1 | | | | | 432 2528-02 | Hose | Slang | | |
| | | | | 1 | | | | 432 2528-03 | Hose | Slang | | |
| | | | | | 1 | 1 | | 432 2528-05 | Hose | Slang | | |
| 11 | 1 | 1 | 1 | | | | | 736 2831-51 | Hose clamp | Slangklämma | Ø36-42 | |
| | | | | 1 | 1 | 1 | | 736 2837-51 | Hose clamp | Slangklämma | Ø48-54 | |
| 12 | 1 | 1 | 1 | 1 | 1 | 1 | 1 | 736 2837-51 | Hose clamp | Slangklämma | Ø48-54 | |
| 13 | 1 | 1 | | | | | | 432 2508-01 | Hose | Slang | | |
| | | | 1 | | | 1 | | 432 2508-03 | Hose | Slang | | |
| | | | | | | | 1 | 432 2508-04 | Hose | Slang | | |
| 14 | 1 | 1 | 1 | 1 | 1 | 1 | 1 | 432 2507-01 | Air tube | Luftklocka | | |
| 15 | 1 | 1 | 1 | 1 | 1 | 1 | 1 | 432 2506-01 | Connection | Anslutning | | |
| 16 | 1 | 1 | 1 | | | | | 438 8120-01 | Hose | Slang | L=940 | |
| | | | | 1 | | | | 438 8120-02 | Hose | Slang | L=1325 | |
| | | | | | 1 | 1 | | 438 8120-03 | Hose | Slang | L=1600 | |
| 17 | Rq | Rq | Rq | Rq | Rq | Rq | Rq | 471 7887-01 | Clip | Clips | | |
| 18 | 1 | 1 | 1 | 1 | | | | 413 3184-02 | Cable set | Ledningssats | | |
| | | | | | 1 | 1 | | 413 3184-05 | Cable set | Ledningssats | | |
| 19 | 1 | | | | | | | 471 8128-63 | Hose | Slang | | |
| | | 1 | | | | | | 471 8128-66 | Hose | Slang | | |
| | | | 1 | | | | | 471 8128-64 | Hose | Slang | | |
| | | | | 1 | | | | 471 8128-61 | Hose | Slang | | |
| | | | | | 1 | | | 471 8128-67 | Hose | Slang | | |
| | | | | | | 1 | | 471 8128-65 | Hose | Slang | | |
| 20 | 2 | 2 | 2 | 2 | 2 | 2 | 2 | 736 2840-51 | Hose clamp | Slangklämma | Ø50-63 | |
| 21 | 1 | 1 | 1 | 1 | 1 | 1 | 1 | 736 2825-51 | Hose clamp | Slangklämma | Ø32 | |
| 22 | 1 | 1 | 1 | 1 | 1 | 1 | 1 | 471 4835-01 | Drain hose | Avloppsslang | Ø75 | |
| 23 | Rq | Rq | | Rq | Rq | Rq | | | | | Not used | |
| | | | 1 | | | | | 471 8613-05 | Tube | Rör | Ø50, L=80 | |
| 24 | Rq | Rq | | Rq | Rq | Rq | | | | | Not used | |
| | | | 1 | | | | | 471 8128-41 | Hose | Slang | L=90, 1 1/2" | |



W585S Compass,W5105S Compass,W5130S Compass,W5180S Compass,W5250S Compass,W5330S Compass

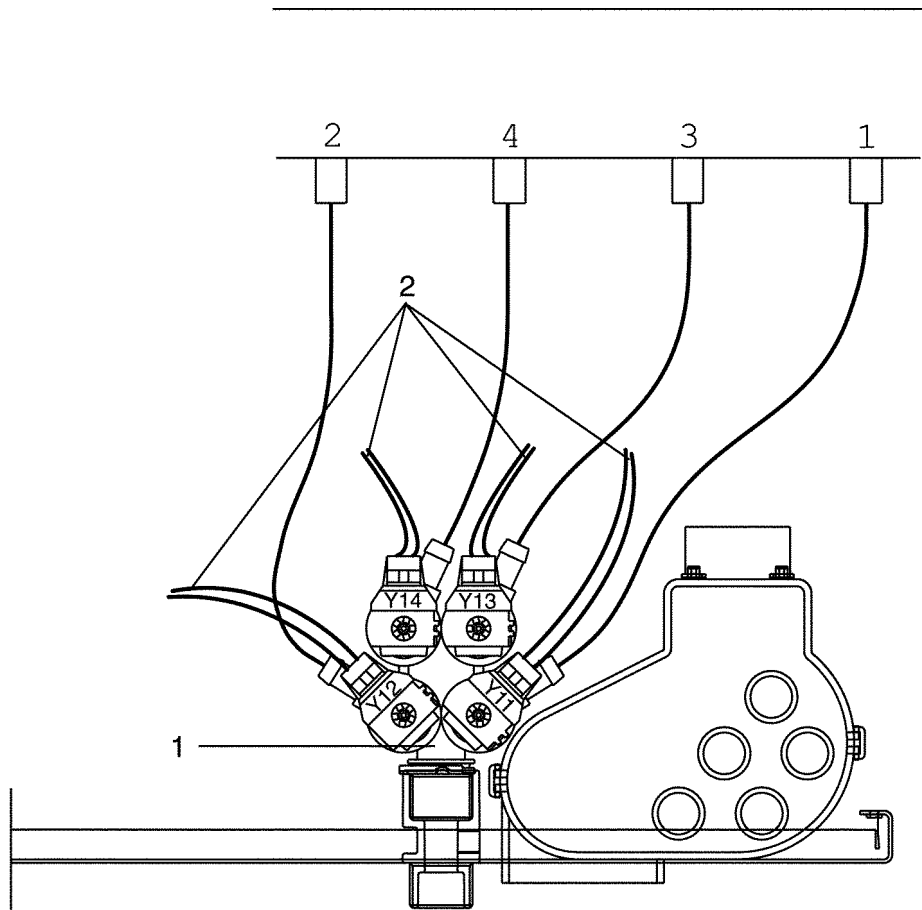
Water connections

Illustration Issue Month Year
Illustration Utgåva Månad År

Vattenanslutningar

500288 1 4 2013

| Item Pos. | Quantity Antal | | | | | | Art.No Art.nr | Description | Benämning | Info Info | Notes Anmärkning |
|-----------|----------------|----|----|----|----|----|---------------|----------------|-------------------|-----------|------------------|
| | W585S Compass | | | | | | | | | | |
| | W5105S Compass | | | | | | | | | | |
| | W5130S Compass | | | | | | | | | | |
| | W5180S Compass | | | | | | | | | | |
| | W5250S Compass | | | | | | | | | | |
| | W5330S Compass | | | | | | | | | | |
| 1 | 1 | 1 | 1 | 1 | 1 | 1 | 438 0056-03 | Nipple | Nippel | | Black, 3/4" |
| | 1 | 1 | 1 | 1 | 1 | 1 | 438 0056-04 | Nipple | Nippel | | White, 3/4", USA |
| 2 | 1 | 1 | 1 | Rq | Rq | Rq | 471 8693-21 | Filter | Filter | | |
| 3 | 1 | 1 | 1 | 1 | 1 | 1 | 471 8199-01 | Gasket | Packning | | |
| 4 | 1 | 1 | 1 | 1 | 1 | 1 | 471 8688-13 | Nipple | Nippel | | 1/8" |
| 5 | 1 | 1 | 1 | 1 | 1 | 1 | 741 5109-25 | Plug | Propp | | El-drain |
| 6 | 1 | 1 | 1 | 1 | 1 | 1 | 740 4206-00 | O-ring | O-ring | | El-drain |
| 7 | Rq | Rq | Rq | Rq | Rq | Rq | 471 7977-04 | Cover plug | Täckpropp | | |
| 8 | 1 | 1 | 1 | 1 | 1 | 1 | 432 2320-01 | Siphon breaker | Återsugningsskydd | | |
| 9 | Rq | Rq | Rq | Rq | Rq | Rq | 471 8175-01 | Plug | Plugg | | |
| 10 | 1 | 1 | 1 | 1 | 1 | 1 | 471 8644-02 | Plug | Propp | | |
| 11 | 1 | 1 | 1 | | | | 432 2305-01 | Hose | Slang | | |
| | | | | 1 | 1 | 1 | 432 2306-01 | Hose | Slang | | |
| 12 | 1 | 1 | 1 | 1 | 1 | 1 | 736 2846-51 | Hose clamp | Slangklämma | | Ø73-83 |
| 13 | 1 | 1 | 1 | | | | 471 7871-08 | Hose clamp | Slangklämma | | |
| | | | | 1 | 1 | 1 | 471 7871-04 | Hose clamp | Slangklämma | | |
| 14 | 1 | 1 | 1 | | | | 471 2409-89 | Hood | Huv | | Pump |
| | | | | Rq | Rq | Rq | | | | | Not used |
| 15 | 1 | 1 | 1 | | | | 736 2837-51 | Hose clamp | Slangklämma | | Ø48-54 Pump |
| | | | | Rq | Rq | Rq | | | | | Not used |
| 16 | Rq | Rq | Rq | Rq | Rq | Rq | 877 5211-08 | Hose | Slang | | Per 1 m |
| 17 | Rq | Rq | Rq | Rq | Rq | Rq | 736 2816-51 | Hose clamp | Slangklämma | | Ø13-19 |
| 18 | Rq | Rq | Rq | | | | | | | | Not used |
| | | | | Rq | Rq | Rq | 432 2308-01 | Hose | Slang | | Hard water |
| | | | | Rq | Rq | Rq | 432 2314-01 | Hose | Slang | | |
| 19 | Rq | Rq | Rq | | | | | | | | Not used |
| | | | | Rq | Rq | Rq | 736 2825-51 | Hose clamp | Slangklämma | | Ø32 |
| 20 | 1 | 1 | 1 | 1 | 1 | 1 | 471 7977-01 | Cover plug | Täckpropp | | |



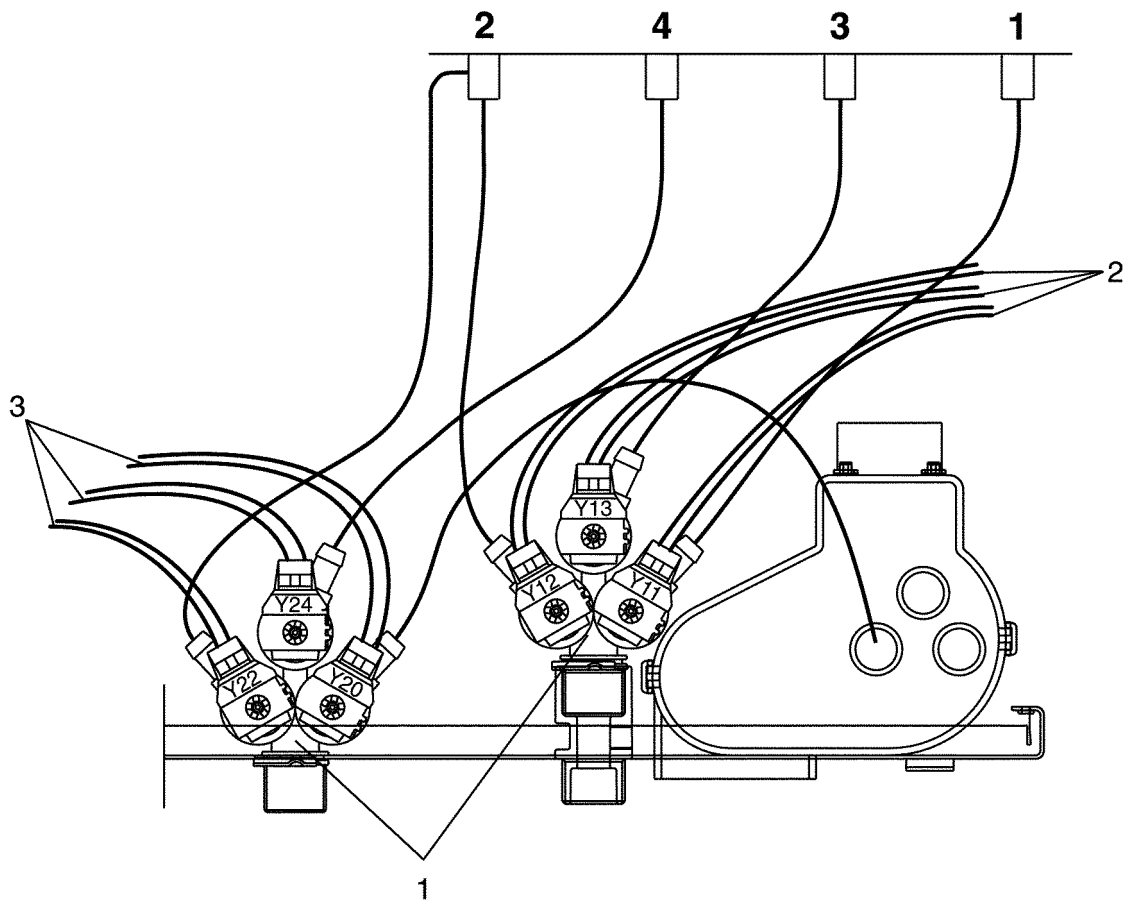
W585S Compass,W5105S Compass

Inlet valves and cable set

Illustration Issue Month Year
Illustration Utgåva Månad År
500289 1 4 2013

Inloppsventiler och ledningssatser

| Item Pos. | Quantity Antal | Art.No Art.nr | Description | Benämning | Info Info | Notes Anmärkning |
|-----------|----------------|---------------|------------------------------|--------------|-----------|---------------------------------|
| | | | W585S Compass | | | |
| | | | W5105S Compass | | | |
| 1 | 1 | 1 | 471 8240-63 Valve | Ventil | | 4-way, 208-240V 50/60Hz, BSP |
| 2 | 1 | | 413 3088-07 Cable set | Ledningssats | | |
| | | 1 | 413 3088-07 Cable set | Ledningssats | | |



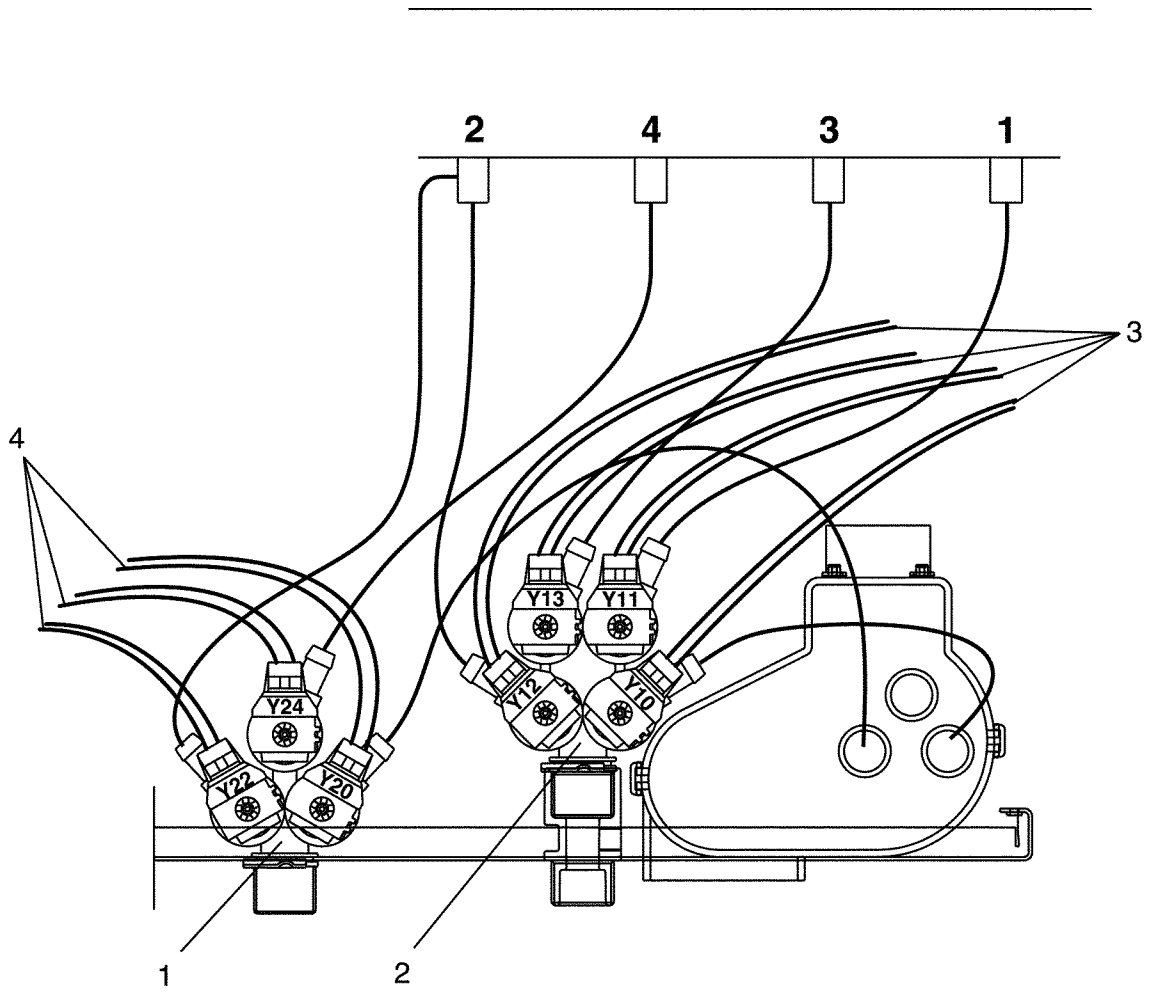
W585S Compass,W5105S Compass,W5130S Compass,W5180S Compass

Inlet valves and cable set

Illustration Issue Month Year
Illustration Utgåva Månad År
500290 1 4 2013

Inloppsventiler och ledningssatser

| Item Pos. | Quantity Antal | Art.No Art.nr | Description | Benämning | Info Info | Notes Anmärkning | | |
|-----------|----------------|---------------|----------------|-----------|-------------|------------------|--------------|--|
| | | | W585S Compass | | | | | |
| | | | W5105S Compass | | | | | |
| | | | W5130S Compass | | | | | |
| | | | W5180S Compass | | | | | |
| 1 | 2 | 2 | 2 | 2 | 471 8236-76 | Valve | Ventil | 3-way, 208-240V 50/60Hz, BSP |
| | 2 | 2 | 2 | 2 | 471 8236-78 | Valve | Ventil | 3-way, 208-240V 50/60Hz, NH USA US |
| | 2 | | | | 471 8236-79 | Valve | Ventil | 3-way, 120V 60Hz, NH USA US |
| 2 | 1 | | | | 413 3086-07 | Cable set | Ledningssats | Cold |
| | | 1 | 1 | | 413 3086-07 | Cable set | Ledningssats | Cold |
| | | | | 1 | 413 3086-09 | Cable set | Ledningssats | Cold |
| 3 | 1 | | | | 413 3086-08 | Cable set | Ledningssats | Hot |
| | | 1 | 1 | | 413 3086-08 | Cable set | Ledningssats | Hot |
| | | | | 1 | 413 3086-10 | Cable set | Ledningssats | Hot |



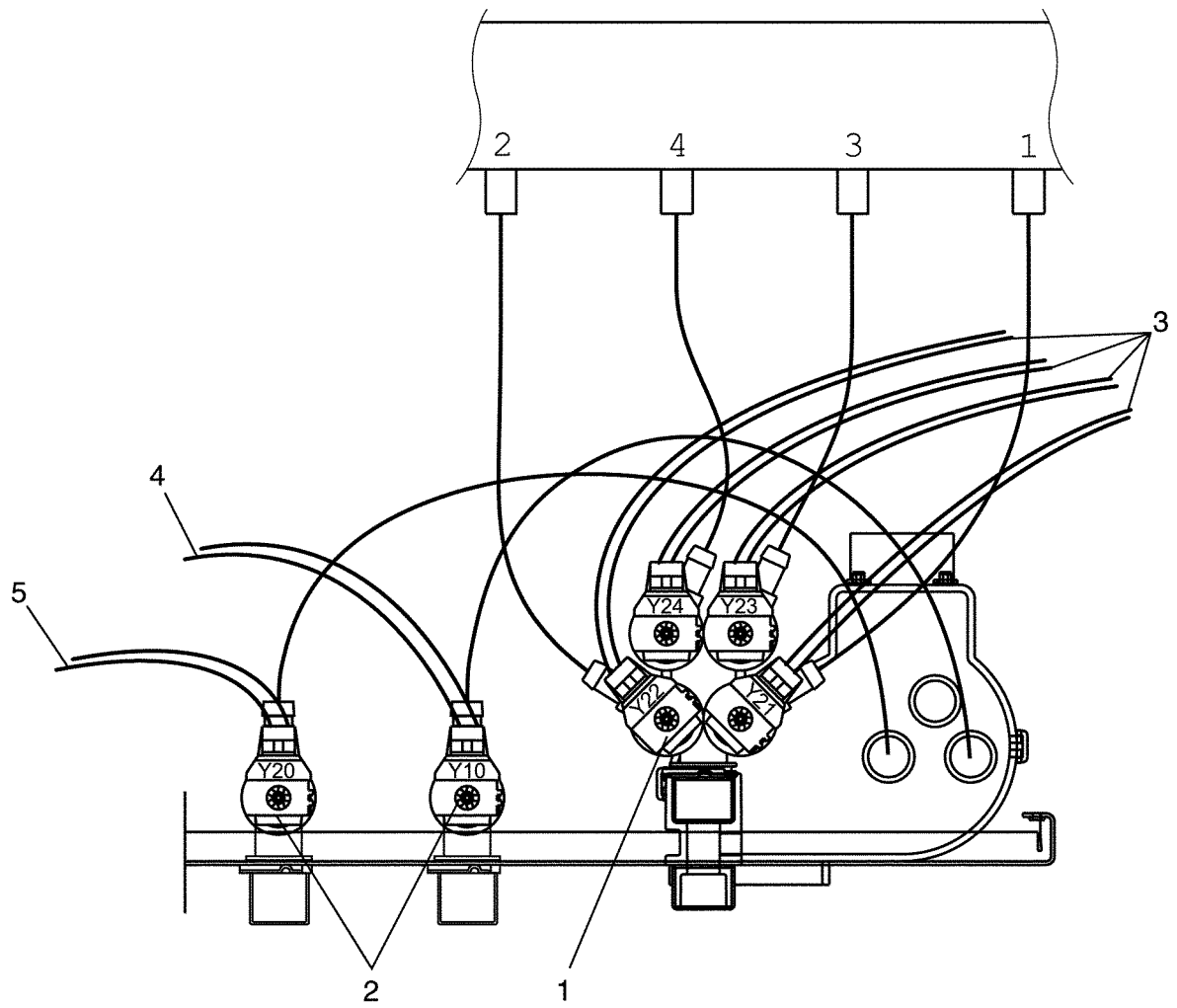
W585S Compass,W5105S Compass,W5130S Compass,W5180S Compass

Inlet valves and cable set

Illustration Issue Month Year
Illustration Utgåva Månad År
500291 1 4 2013

Inloppsventiler och ledningssatser

| Item Pos. | Quantity Antal | Art.No Art.nr | Description | Benämning | Info Info | Notes Anmärkning |
|-----------|----------------|---------------|----------------|--------------|-----------|--|
| | | | W585S Compass | | | |
| | | | W5105S Compass | | | |
| | | | W5130S Compass | | | |
| | | | W5180S Compass | | | |
| 1 | 1 | 471 8236-76 | Valve | Ventil | | 3-way, 208-240V 50/60Hz, BSP |
| | 1 | 471 8236-78 | Valve | Ventil | | 3-way, 208-240V 50/60Hz, NH USA US |
| | 1 | 471 8236-79 | Valve | Ventil | | 3-way, 120V 60Hz, NH USA US |
| 2 | 1 | 471 8240-64 | Valve | Ventil | | 4-way, 208-240V 50/60Hz, BSP |
| | 1 | 471 8240-67 | Valve | Ventil | | 4-way, 120V 60Hz, NH USA |
| | 1 | 471 8240-68 | Valve | Ventil | | 4-way, 208-240V 50/60Hz, NH USA US |
| 3 | 1 | 413 3088-07 | Cable set | Ledningssats | | Cold |
| | 1 | 413 3088-07 | Cable set | Ledningssats | | |
| | 1 | 413 3088-10 | Cable set | Ledningssats | | |
| 4 | 1 | 413 3086-08 | Cable set | Ledningssats | | Hot |
| | 1 | 413 3086-08 | Cable set | Ledningssats | | |
| | 1 | 413 3086-10 | Cable set | Ledningssats | | |



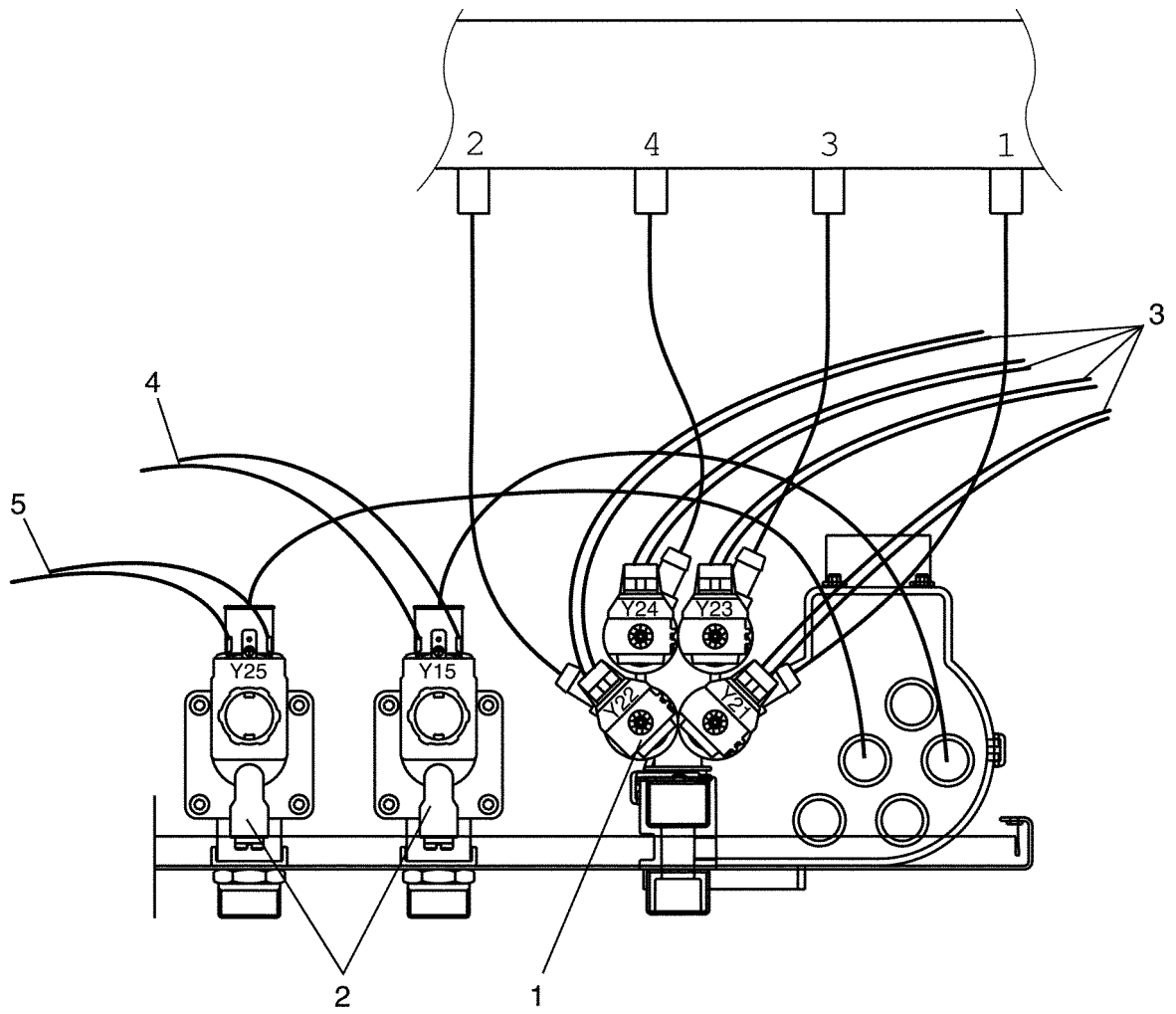
W585S Compass,W5105S Compass,W5130S Compass,W5180S Compass

Inlet valves and cable set

Illustration Issue Month Year
Illustration Utgåva Månad År
500292 1 4 2013

Inloppsventiler och ledningssatser

| Item Pos. | Quantity Antal | Art.No Art.nr | Description | Benämning | Info Info | Notes Anmärkning | | |
|-----------|----------------|---------------|----------------|-----------|-------------|------------------|--------------|---|
| | | | W585S Compass | | | | | |
| | | | W5105S Compass | | | | | |
| | | | W5130S Compass | | | | | |
| | | | W5180S Compass | | | | | |
| 1 | 1 | 1 | 1 | 1 | 471 8240-63 | Valve | Ventil | 4-way, 208-240V 50/60Hz, BSP |
| | 1 | 1 | 1 | 1 | 471 8240-69 | Valve | Ventil | 4-way, 208-240V 50/60Hz, NH USA USA |
| 2 | 2 | 2 | 2 | 2 | 471 8234-52 | Valve | Ventil | 1-way, 208-240V 50/60Hz, BSP |
| 3 | 1 | | | | 413 3088-07 | Cable set | Ledningssats | Cold |
| | | 1 | 1 | | 413 3088-07 | Cable set | Ledningssats | Cold |
| | | | | 1 | 413 3088-08 | Cable set | Ledningssats | |
| 4 | 1 | | | | 413 3082-21 | Cable set | Ledningssats | Cold |
| | | 1 | 1 | | 413 3082-29 | Cable set | Ledningssats | Cold |
| | | | | 1 | 413 3082-32 | Cable set | Ledningssats | |
| 5 | 1 | | | | 413 3082-30 | Cable set | Ledningssats | Hot |
| | | 1 | 1 | | 413 3082-30 | Cable set | Ledningssats | Hot |
| | | | | 1 | 413 3082-34 | Cable set | Ledningssats | |



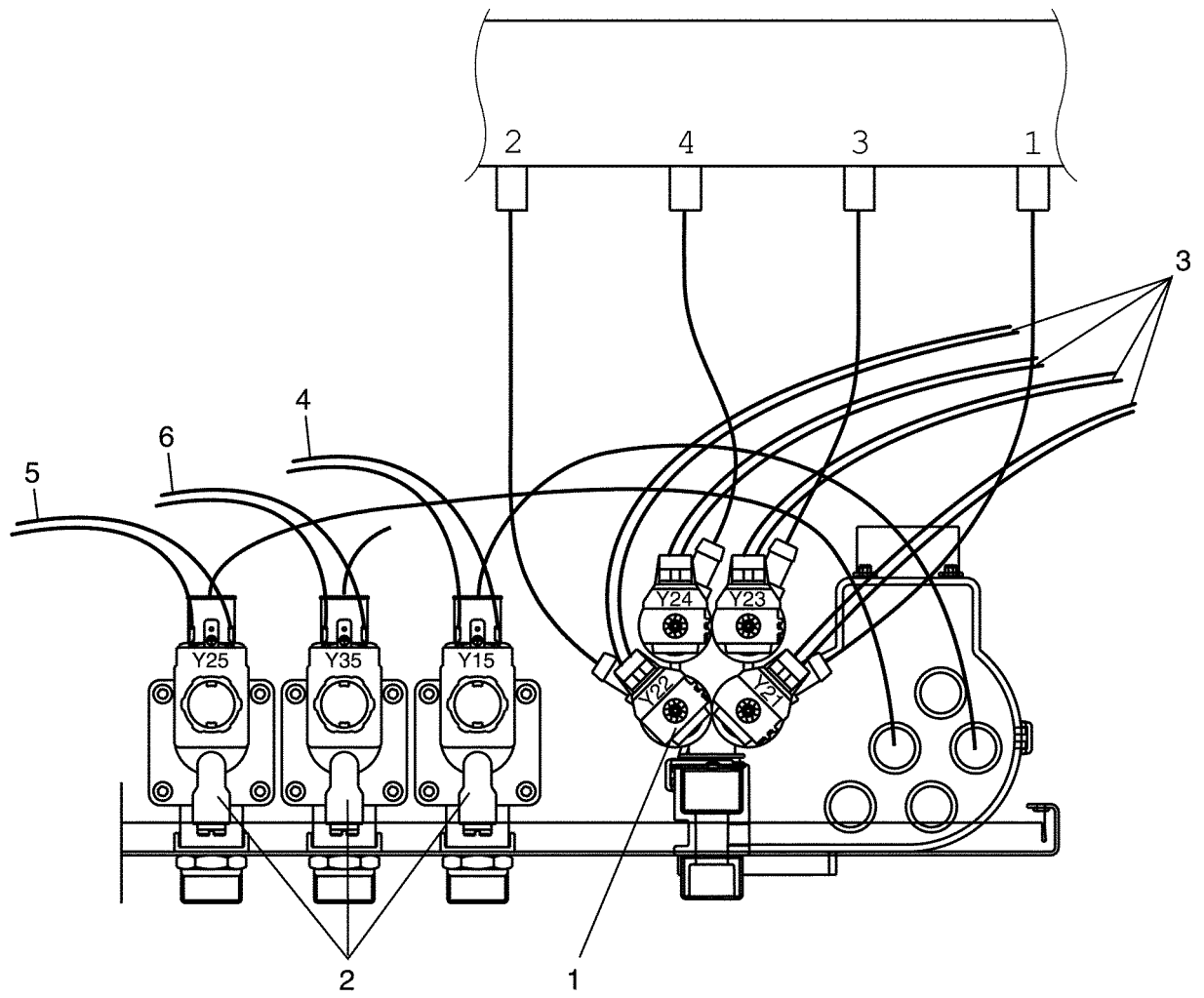
W5180S Compass,W5250S Compass,W5330S Compass

Inlet valves and cable set

Illustration Issue Month Year
Illustration Utgåva Månad År
500302 1 4 2013

Inloppsventiler och ledningssatser

| Item Pos. | Quantity Antal | Art.No Art.nr | Description | Benämning | Info Info | Notes Anmärkning |
|-----------|----------------|---------------|----------------|-----------|--------------|--|
| | | | W5180S Compass | | | |
| | | | W5250S Compass | | | |
| | | | W5330S Compass | | | |
| 1 | 1 | 1 | 1 471 8240-63 | Valve | Ventil | 4-way, 208-240V 50/60Hz, BSP |
| | 1 | 1 | 1 471 8240-69 | Valve | Ventil | 4-way, 208-240V 50/60Hz, NH USA USA |
| 2 | 2 | 2 | 2 471 8210-70 | Valve | Ventil | 208-240V 50/60Hz, BSP |
| | 1 | 1 | 1 471 8210-79 | •Coil | •Spole | 50/60 Hz |
| | 2 | 2 | 2 471 8210-71 | Valve | Ventil | 208-240V 60Hz, NH USA USA |
| | 1 | 1 | 1 471 8210-78 | •Coil | •Spole | 60Hz |
| 3 | 1 | | 1 413 3088-08 | Cable set | Ledningssats | |
| | | 1 | 1 413 3088-10 | Cable set | Ledningssats | |
| | | 1 | 1 413 3088-10 | Cable set | Ledningssats | |
| 4 | 1 | | 1 413 3182-09 | Cable set | Ledningssats | |
| | | 1 | 1 413 3182-15 | Cable set | Ledningssats | |
| | | 1 | 1 413 3182-15 | Cable set | Ledningssats | |
| 5 | 1 | | 1 413 3182-10 | Cable set | Ledningssats | |
| | | 1 | 1 413 3182-16 | Cable set | Ledningssats | |
| | | 1 | 1 413 3182-16 | Cable set | Ledningssats | |



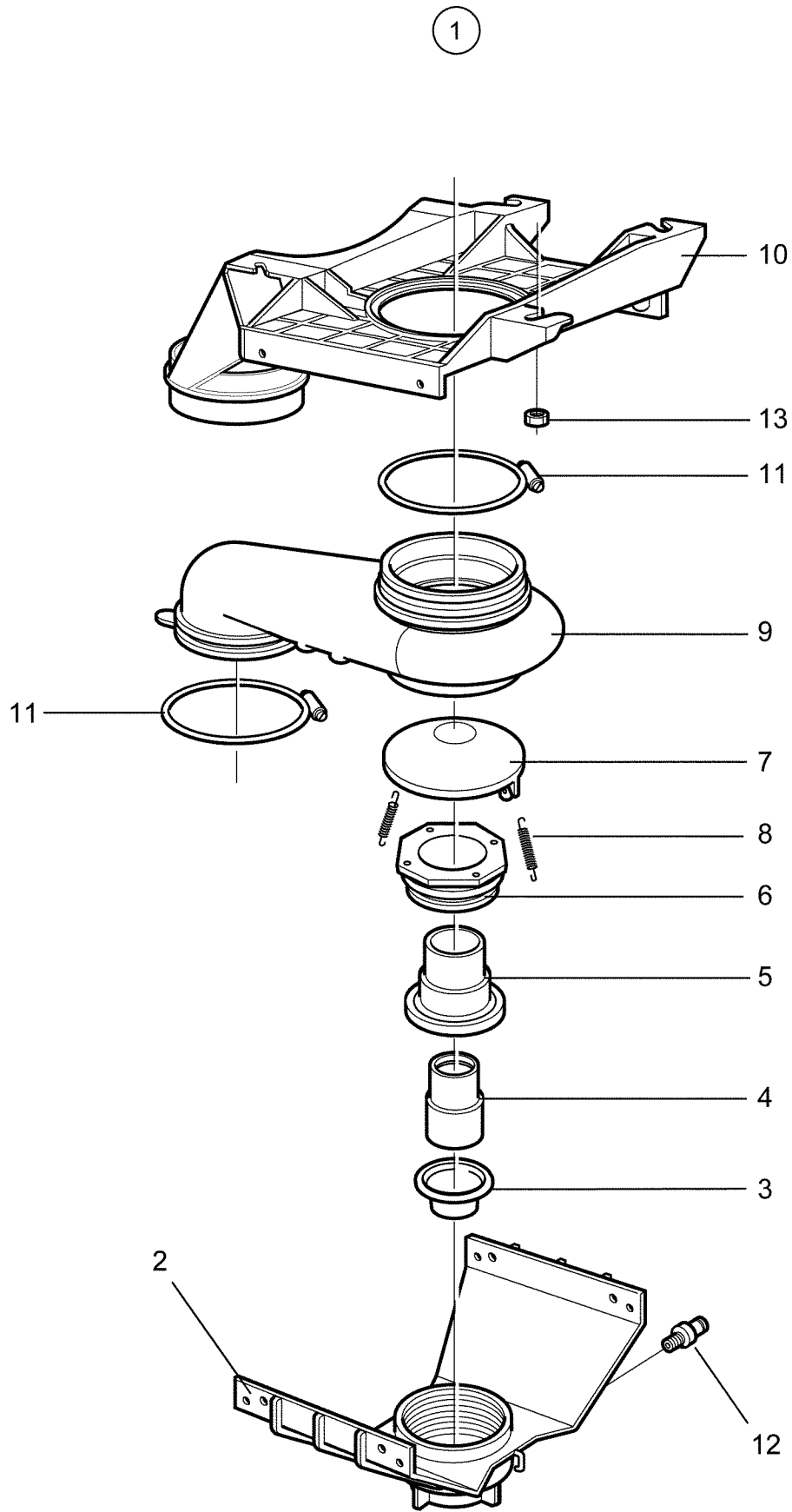
W5180S Compass,W5250S Compass,W5330S Compass

Inlet valves and cable set

Illustration Issue Month Year
Illustration Utgåva Månad År
500303 1 4 2013

Inloppsventiler och ledningssatser

| Item Pos. | Quantity Antal | Art.No Art.nr | Description | Benämning | Info Info | Notes Anmärkning |
|-----------|----------------|---------------|-----------------------|--------------|-----------|------------------------------------|
| | | | W5180S Compass | | | |
| | | | W5250S Compass | | | |
| | | | W5330S Compass | | | |
| 1 | 1 | 1 | 471 8240-63 Valve | Ventil | | 4-way, 208-240V 50/60Hz, BSP |
| | 1 | 1 | 471 8240-69 Valve | Ventil | | 4-way, 208-240V 50/60Hz, NH USA |
| 2 | 3 | 3 | 471 8210-70 Valve | Ventil | | 208-240V 50/60Hz, BSP |
| | 1 | 1 | 471 8210-79 •Coil | •Spole | | 50/60 Hz |
| | 3 | 3 | 471 8210-71 Valve | Ventil | | 208-240V 60Hz, NH USA USA |
| | 1 | 1 | 471 8210-78 •Coil | •Spole | | 60Hz |
| 3 | 1 | | 413 3088-08 Cable set | Ledningssats | | |
| | | 1 | 413 3088-10 Cable set | Ledningssats | | |
| | | 1 | 413 3088-10 Cable set | Ledningssats | | |
| 4 | 1 | | 413 3182-09 Cable set | Ledningssats | | |
| | | 1 | 413 3182-15 Cable set | Ledningssats | | |
| | | 1 | 413 3182-15 Cable set | Ledningssats | | |
| 5 | 1 | | 413 3182-10 Cable set | Ledningssats | | |
| | | 1 | 413 3182-16 Cable set | Ledningssats | | |
| | | 1 | 413 3182-16 Cable set | Ledningssats | | |
| 6 | 1 | | 413 3182-11 Cable set | Ledningssats | | |
| | | 1 | 413 3182-14 Cable set | Ledningssats | | |
| | | 1 | 413 3182-17 Cable set | Ledningssats | | |



W585S Compass,W5105S Compass,W5130S Compass,W5180S Compass,W5250S Compass,W5330S Compass

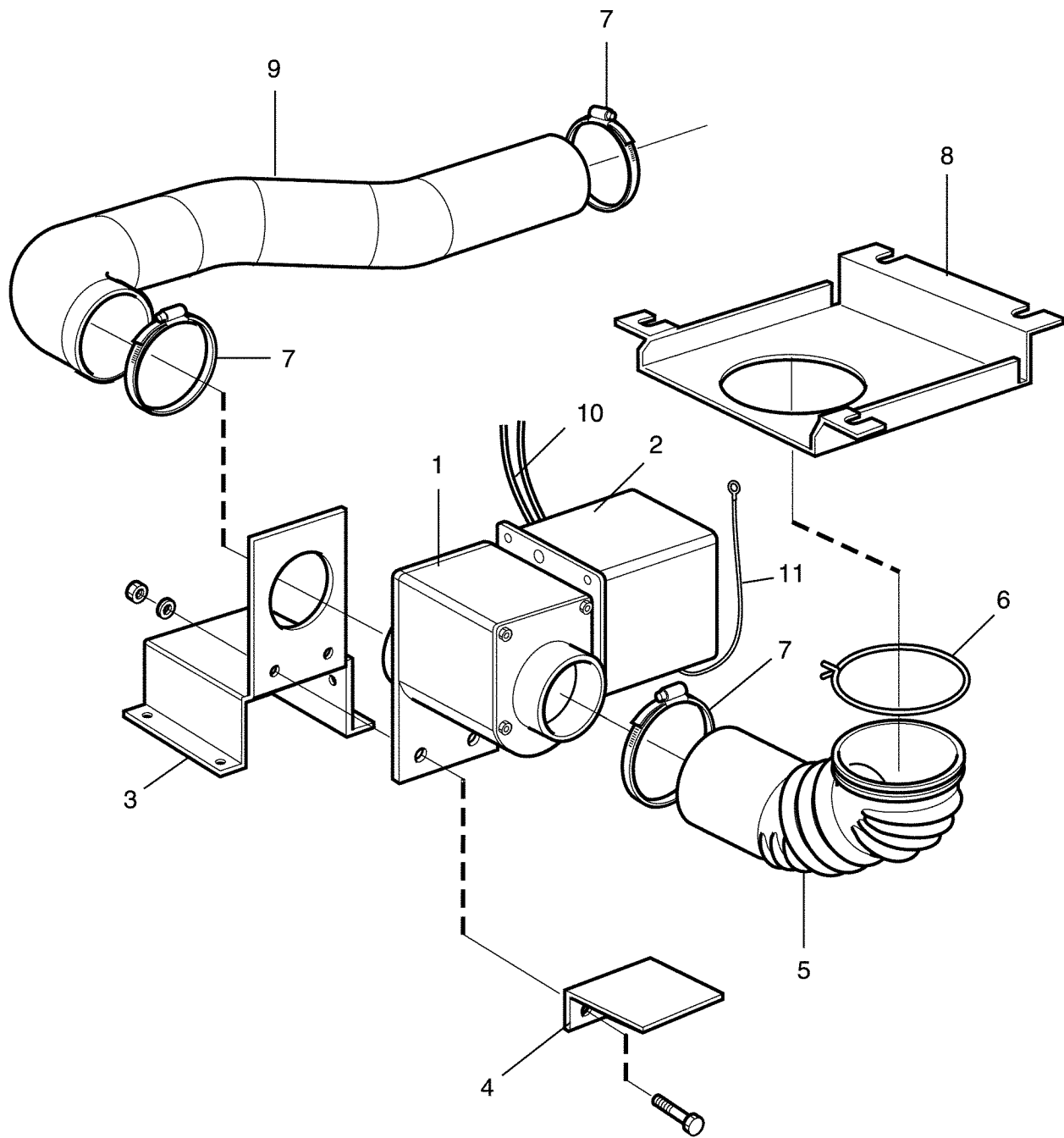
Drain valve

Illustration Issue Month Year
Illustration Utgåva Månad År

Avloppsventil

500293 1 4 2013

| Item Pos. | Qua. Ant. | Art.No Art.nr | Description | Benämning | Info Info | Notes Anmärkning |
|-----------|-----------|---------------|---------------|---------------|-----------|------------------|
| 1 | 1 | 432 2502-01 | Drain valve | Avloppsventil | | |
| 2 | 1 | 438 0051-01 | •Lower frame | •Underdel | | |
| 3 | 1 | 471 8195-01 | •Diaphragm | •Membran | | |
| 4 | 1 | 438 0054-01 | •Piston | •Kolv | | |
| 5 | 1 | 438 0053-01 | •Housing | •Hus | | |
| 6 | 1 | 438 0055-01 | •Gland | •Gland | | |
| 7 | 1 | 438 0052-01 | •Cover | •Lock | | |
| 8 | 2 | 471 7818-01 | •Spring | •Fjäder | | |
| 9 | 1 | 432 2505-01 | •Hose housing | •Slanghus | | |
| 10 | 1 | 432 2501-01 | •Upper frame | •Överdel | | |
| 11 | 2 | 471 7871-04 | •Hose clamp | •Slangklämma | | |
| 12 | 1 | 471 8688-13 | •Nipple | •Nippel | | 1/8" |
| 13 | 4 | 471 8404-03 | Nut | Mutter | | M6 Stainless |



W585S Compass,W5105S Compass,W5130S Compass,W5180S Compass,W5250S Compass,W5330S Compass

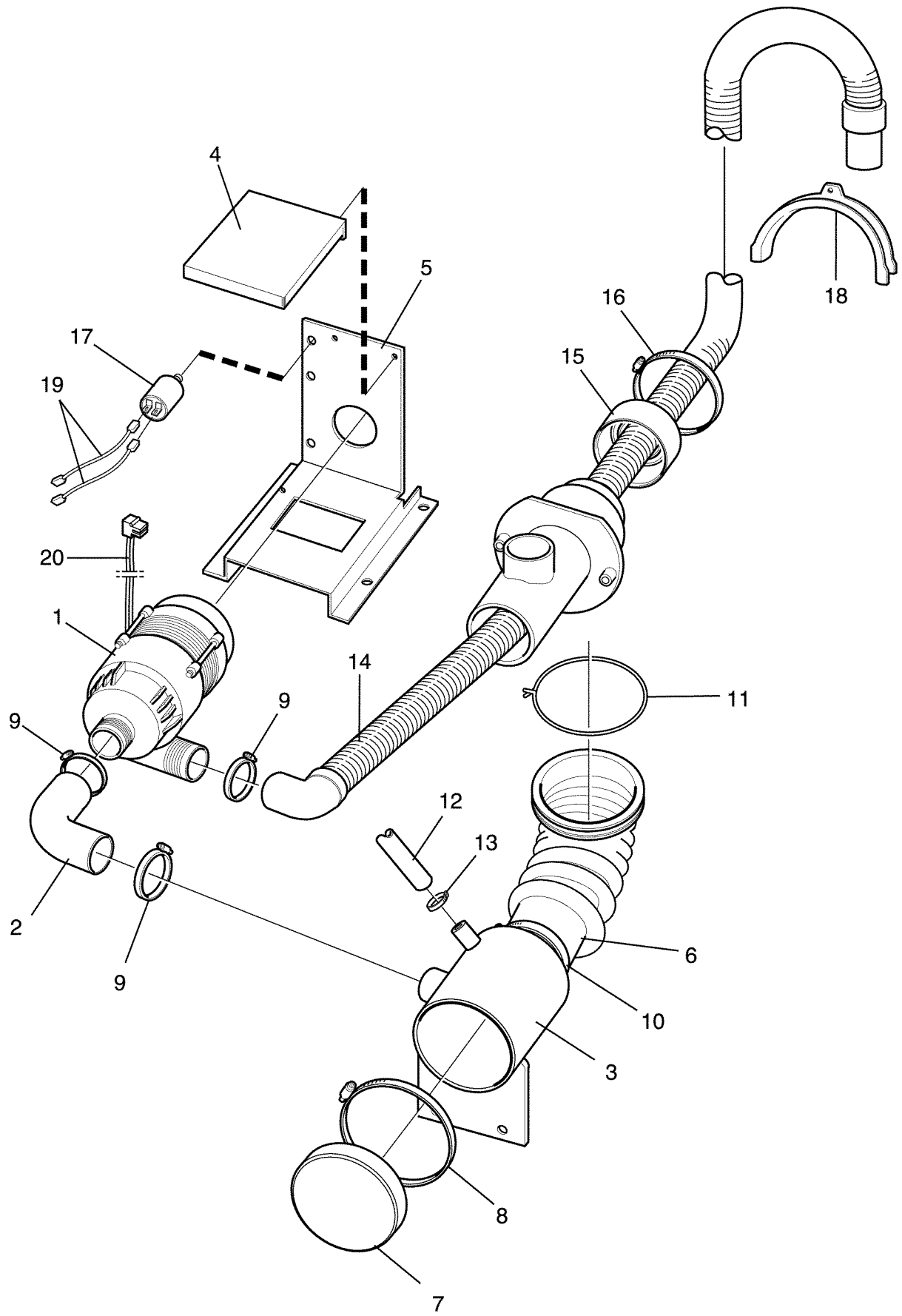
Drain valve, electrical

Illustration Issue Month Year
Illustration Utgåva Månad År

Avloppsventil, elektrisk

500294 1 4 2013

| Item Pos. | Quantity Antal | | | | | | | Art.No Art.nr | Description | Benämning | Info Info | Notes Anmärkning |
|-----------|----------------|---|---|---|---|---|---|---------------|----------------|---------------|-----------|----------------------------|
| | W585S Compass | | | | | | | | | | | |
| | W5105S Compass | | | | | | | | | | | |
| | W5130S Compass | | | | | | | | | | | |
| | W5180S Compass | | | | | | | | | | | |
| | W5250S Compass | | | | | | | | | | | |
| | W5330S Compass | | | | | | | | | | | |
| 1 | 1 | 1 | 1 | 1 | 1 | 1 | 1 | 471 8215-01 | Drain valve | Avloppsventil | | 50/60Hz |
| | 1 | 1 | 1 | 1 | 1 | 1 | 1 | 471 8215-03 | Drain valve | Avloppsventil | | 50/60Hz Normally closed |
| 2 | 1 | 1 | 1 | 1 | 1 | 1 | 1 | 432 2548-01 | Cover | Kåpa | | |
| 3 | 1 | 1 | 1 | | | | | 432 2531-02 | Mounting plate | Fästplåt | | |
| | | | | 1 | 1 | 1 | | 432 2531-01 | Mounting plate | Fästplåt | | |
| 4 | 1 | 1 | 1 | 1 | 1 | 1 | 1 | 432 2537-01 | Support | Stöd | | |
| 5 | 1 | 1 | 1 | 1 | 1 | 1 | 1 | 432 2516-04 | Hose | Slang | | |
| | | | | | | | 1 | 432 2516-05 | Hose | Slang | | |
| 6 | 1 | 1 | 1 | 1 | 1 | 1 | 1 | 471 7871-07 | Hose clamp | Slangklämma | | |
| 7 | 3 | 3 | 3 | 3 | 3 | 3 | 3 | 736 2846-51 | Hose clamp | Slangklämma | | Ø73-83 |
| 8 | 1 | 1 | 1 | 1 | 1 | 1 | 1 | 432 2534-01 | Mounting plate | Fästplåt | | |
| 9 | 1 | | | | | | | 432 2518-01 | Hose | Slang | | |
| | | 1 | | | | | | 432 2518-07 | Hose | Slang | | |
| | | | 1 | | | | | 432 2518-02 | Hose | Slang | | |
| | | | | 1 | | | | 432 2518-03 | Hose | Slang | | |
| | | | | | 1 | | | 432 2518-04 | Hose | Slang | | |
| | | | | | | 1 | | 432 2518-05 | Hose | Slang | | |
| 10 | 1 | | | | | | | 413 2902-02 | Cable set | Ledningssats | | |
| | | 1 | 1 | | | | | 413 2902-04 | Cable set | Ledningssats | | |
| | | | | 1 | | | | 413 2902-06 | Cable set | Ledningssats | | |
| | | | | | 1 | | | 413 2902-08 | Cable set | Ledningssats | | |
| | | | | | | 1 | | 413 2902-10 | Cable set | Ledningssats | | |
| 11 | 1 | 1 | 1 | | | | | 432 2982-10 | Ground cable | Jordkabel | | |



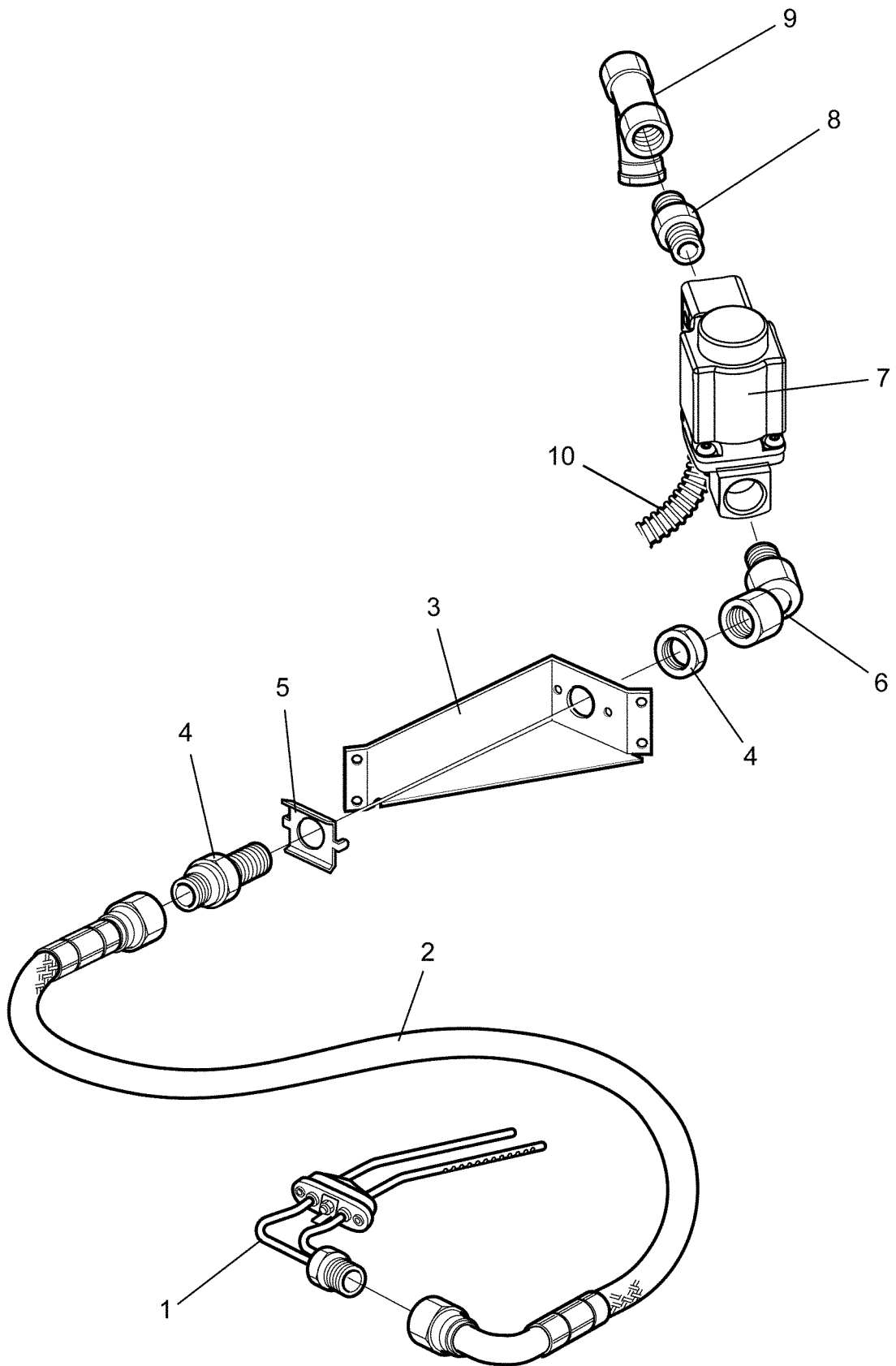
W585S Compass,W5105S Compass

Drain pump

Avloppspump

Illustration Issue Month Year
Illustration Utgåva Månad År
500295 1 4 2013

| Item Pos. | Quantity Antal | Art.No Art.nr | Description | Benämning | Info Info | Notes Anmärkning |
|-----------|----------------|---------------|----------------|--------------|-----------|--------------------|
| | | | W585S Compass | | | |
| | | | W5105S Compass | | | |
| 1 | 1 | 438 8270-01 | Drain pump | Avloppspump | | 230V 50Hz Complete |
| | 1 | 438 8270-02 | Drain pump | Avloppspump | | 230V 60Hz Complete |
| 2 | 1 | 471 4391-02 | Hose | Slang | | |
| 3 | 1 | 432 2533-01 | Container | Behållare | | |
| 4 | 1 | 432 2538-01 | Cover | Skydd | | |
| 5 | 1 | 432 2532-01 | Mounting plate | Fästplåt | | |
| 6 | 1 | 432 2524-01 | Hose | Slang | | |
| 7 | 1 | 472 6760-01 | Hood | Huv | | |
| 8 | 1 | 736 2849-51 | Hose clamp | Slangklämma | | Ø77-93 |
| 9 | 3 | 736 2825-51 | Hose clamp | Slangklämma | | Ø32 |
| 10 | 1 | 736 2837-51 | Hose clamp | Slangklämma | | Ø48-54 |
| 11 | 1 | 471 7871-07 | Hose clamp | Slangklämma | | |
| 12 | 1 | 471 8116-03 | Hose | Slang | | L=1450 |
| 13 | 1 | 736 2816-51 | Hose clamp | Slangklämma | | Ø13-19 |
| 14 | 1 | 471 6858-82 | Drain hose | Avloppsslang | | |
| 15 | 1 | 438 5022-01 | Discharge | Avlastning | | |
| 16 | 1 | 736 2840-51 | Hose clamp | Slangklämma | | Ø50-63 |
| 17 | 1 | 438 9515-01 | Capacitor | Kondensator | | 4µF |
| 18 | 1 | 471 6858-83 | Bracket | Hållare | | |
| 19 | 2 | 432 2954-26 | Cable set | Ledningssats | | |
| 20 | 1 | 413 2903-03 | Cable set | Ledningssats | | |
| | | 413 2903-05 | Cable set | Ledningssats | | |



W585S Compass,W5105S Compass,W5130S Compass,W5180S Compass,W5250S Compass,W5330S Compass

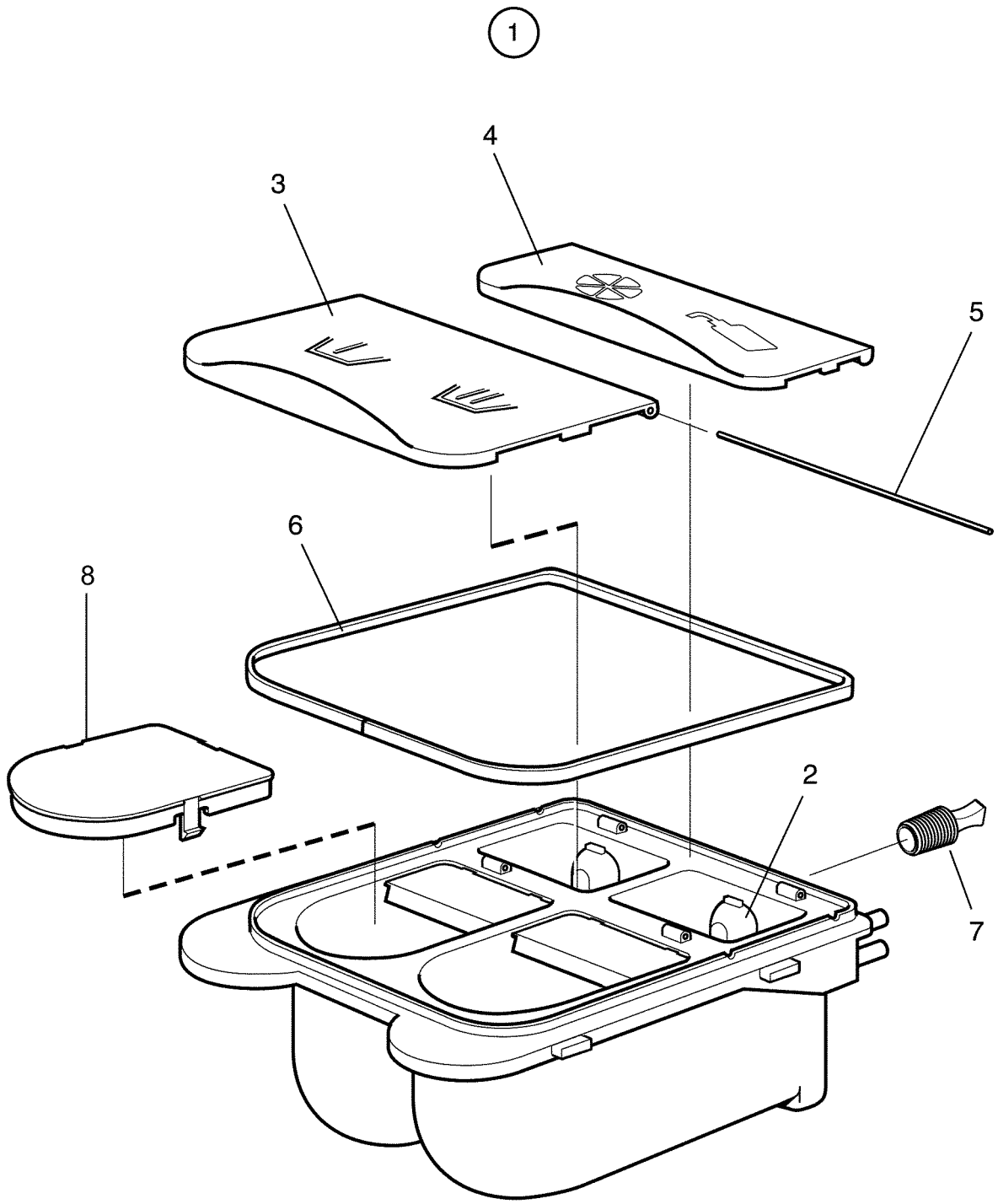
Steam components

Illustration Issue Month Year
Illustration Utgåva Månad År

Ångdetaljer

500296 2 3 2014

| Item Pos. | Quantity Antal | | Art.No Art.nr | Description | Benämning | Info Info | Notes Anmärkning |
|-----------|----------------|---|---------------|----------------------------|-----------------|-----------|------------------|
| | W585S Compass | | | | | | |
| | W5105S Compass | | | | | | |
| | W5130S Compass | | | | | | |
| | W5180S Compass | | | | | | |
| | W5250S Compass | | | | | | |
| | W5330S Compass | | | | | | |
| 1 | 1 | 1 | 1 | 432 1630-01 Steam injector | Ånginjektor | | |
| | | | 1 | 432 1631-01 Steam injector | Ånginjektor | | |
| 2 | 1 | | | 471 8126-25 Steam hose | Ångslang | | |
| | | 1 | 1 | 471 8126-26 Steam hose | Ångslang | | |
| | | | 1 | 471 8126-27 Steam hose | Ångslang | | |
| | | | 1 | 471 8126-28 Steam hose | Ångslang | | |
| 3 | 1 | 1 | 1 | 432 1673-01 Bracket | Konsol | | |
| 4 | 1 | 1 | 1 | 471 8695-01 Nipple | Nippel | | |
| 5 | 1 | 1 | 1 | 471 2937-01 Bracket | Vridskydd | | |
| 6 | 1 | 1 | 1 | 471 8697-01 Adapter | Adapter | | |
| 7 | 1 | 1 | 1 | 472 9920-31 Valve | Ventil | | |
| | 1 | 1 | 1 | 471 8279-08 •Repair kit | •Reparationsats | | |
| 8 | 1 | 1 | 1 | 471 8624-01 Nipple | Nippel | | |
| 9 | 1 | 1 | 1 | 744 3113-06 Filter | Filter | | |
| 10 | 1 | 1 | 1 | 432 3058-04 Cable set | Ledningssats | | 1/2" |



W585S Compass,W5105S Compass,W5130S Compass,W5180S Compass,W5250S Compass,W5330S Compass

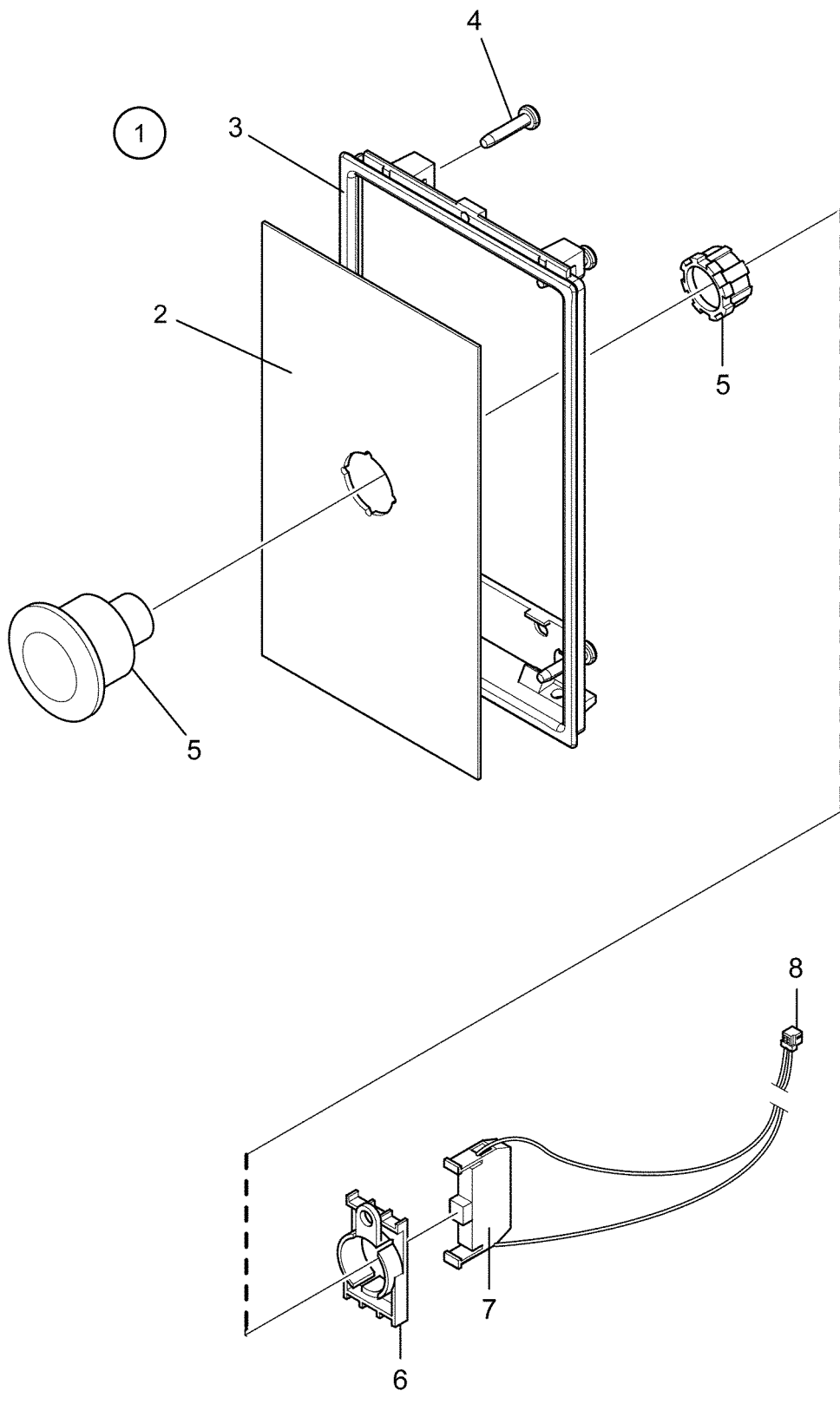
Detergent container

Illustration Issue Month Year
Illustration Utgåva Månad År

Tvättmedelsbehållare

500297 1 4 2013

| Item Pos. | Qua. Ant. | Art.No Art.nr | Description | Benämning | Info Info | Notes Anmärkning |
|-----------|-----------|--------------------|---------------------|----------------------|-----------|------------------|
| 1 | 1 | 472 9954-01 | Detergent container | Tvättmedelsbehållare | | USA |
| | 1 | 472 9954-03 | Detergent container | Tvättmedelsbehållare | | |
| 2 | 2 | 432 2404-51 | •Siphon | •Hävert | | |
| 3 | 1 | 432 2405-02 | •Cover | •Lock | | |
| 4 | 1 | 432 2406-02 | •Cover | •Lock | | |
| 5 | 2 | 432 2407-01 | •Shaft | •Axel | | |
| 6 | 1 | 432 2412-01 | •Gasket | •Packning | | |
| 7 | 1 | 432 2413-01 | •Rubber plug | •Gummiplugg | | |
| 8 | 1 | 432 2409-01 | Cover | Kåpa | | |



W585S Compass,W5105S Compass,W5130S Compass,W5180S Compass,W5250S Compass,W5330S Compass

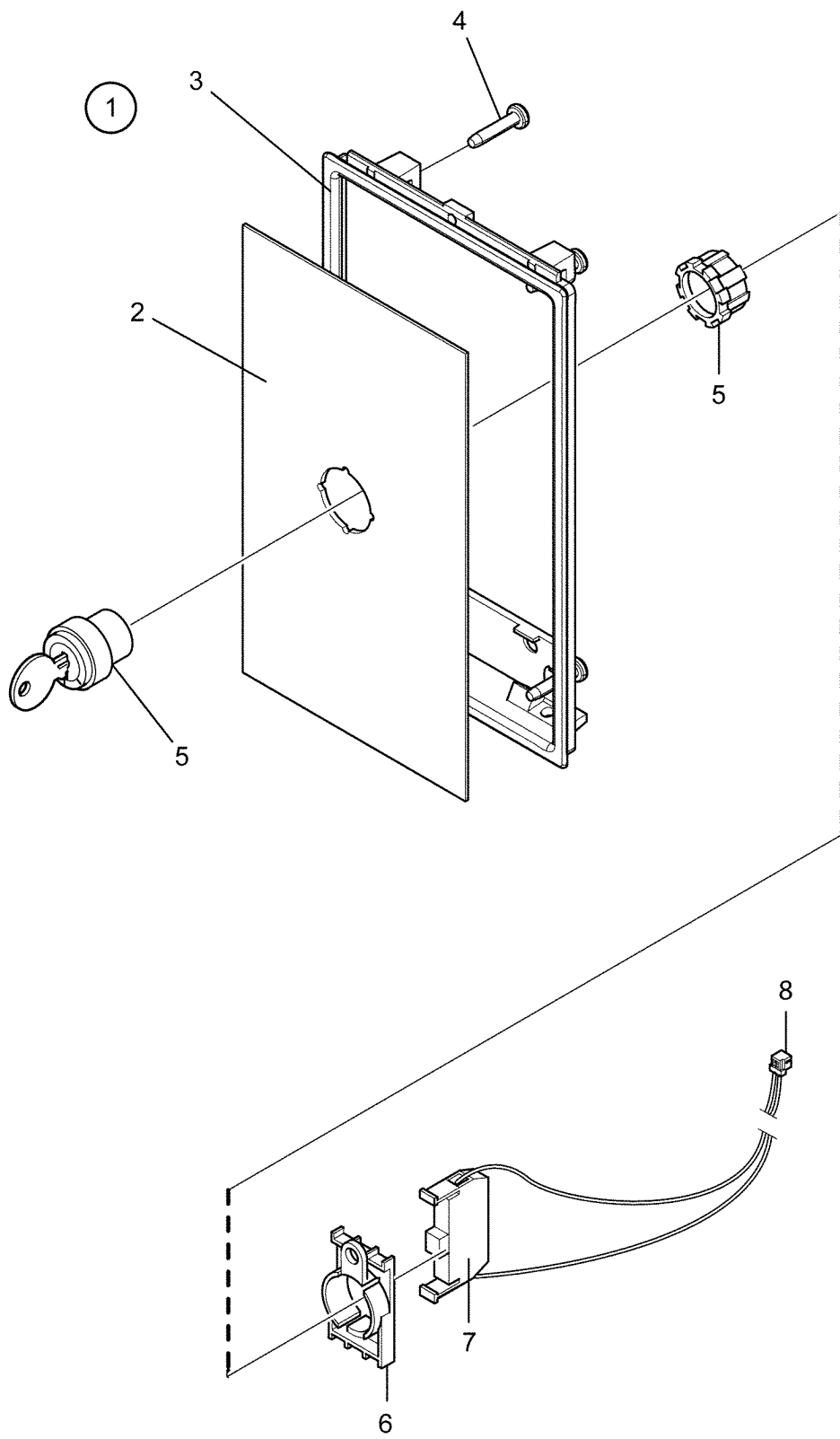
Emergency stop

Illustration Issue Month Year
Illustration Utgåva Månad År

Nödstopp

500315 1 4 2013

| Item Pos. | Qua. Ant. | Art.No Art.nr | Description | Benämning | Info Info | Notes Anmärkning |
|-----------|-----------|--------------------|----------------|--------------|-----------|------------------|
| 1 | 1 | 472 9955-07 | Cover plates | Täckplåtar | | Kit compl. |
| 2 | 1 | | •Cover plate | •Täckplåt | | |
| 3 | 1 | | •Frame | •Ram | | |
| 4 | 4 | | •Screw | •Skruv | | |
| 5 | 1 | 471 9628-32 | Emergency stop | Nödstopp | | |
| 6 | 1 | 471 9628-75 | Bracket | Hållare | | |
| 7 | 1 | 471 9628-71 | Socket | Kontaktblock | | NO Green |
| 8 | 1 | 413 3272-19 | Cable set | Ledningssats | | |



W585S Compass,W5105S Compass,W5130S Compass,W5180S Compass,W5250S Compass,W5330S Compass

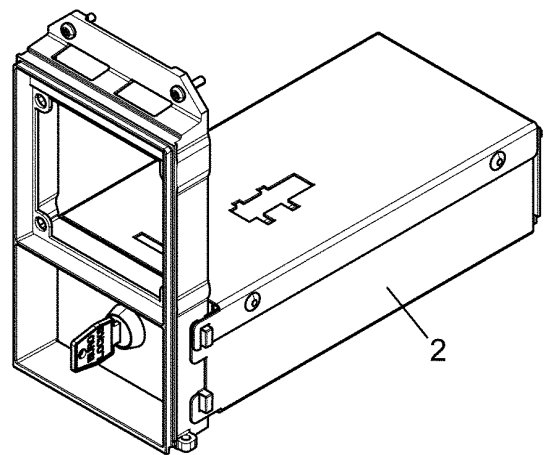
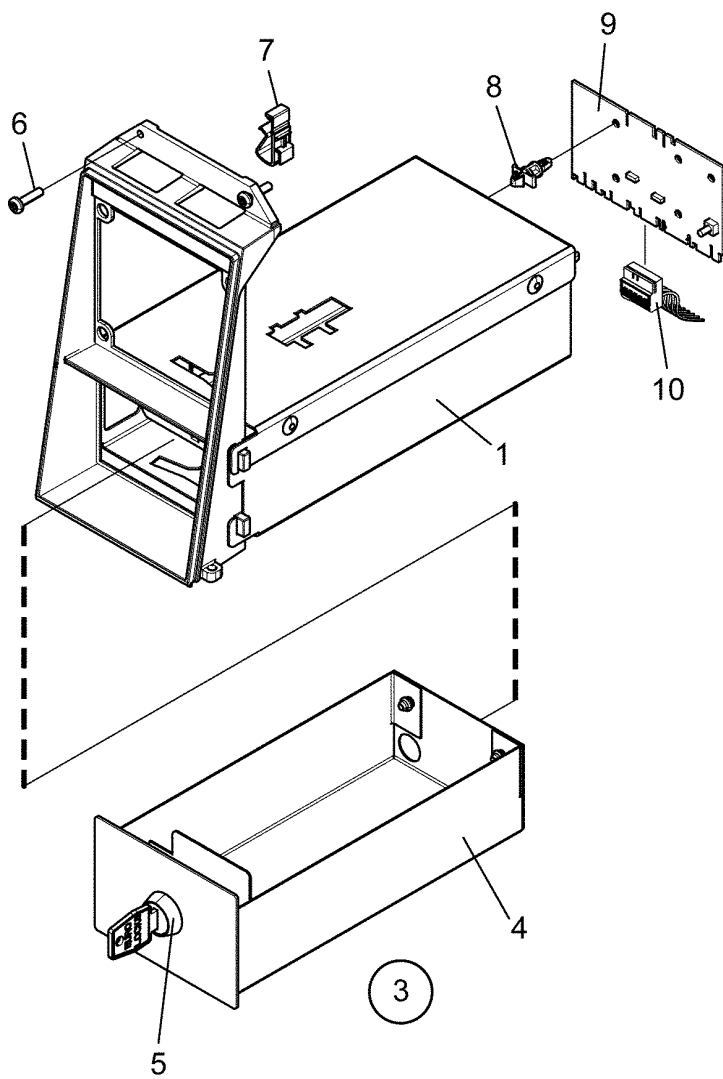
Key switch

Illustration Issue Month Year
Illustration Utgåva Månad År

Nyckelbrytare

500316 1 4 2013

| Item Pos. | Qua. Ant. | Art.No Art.nr | Description | Benämning | Info Info | Notes Anmärkning |
|-----------|-----------|--------------------|--------------|---------------|-----------|------------------|
| 1 | 1 | 472 9955-07 | Cover plates | Täckplåtar | | Kit compl. |
| 2 | 1 | | •Cover plate | •Täckplåt | | |
| 3 | 1 | | •Frame | •Ram | | |
| 4 | 4 | | •Screw | •Skruv | | |
| 5 | 1 | 471 9628-85 | Key switch | Nyckelbrytare | | |
| 6 | 1 | 471 9628-75 | Bracket | Hållare | | |
| 7 | 1 | 471 9628-71 | Socket | Kontaktblock | | NO Green |
| 8 | 1 | 413 3272-21 | Cable set | Ledningssats | | |



W585S Compass,W5105S Compass,W5180S Compass,W5250S Compass,W5330S Compass

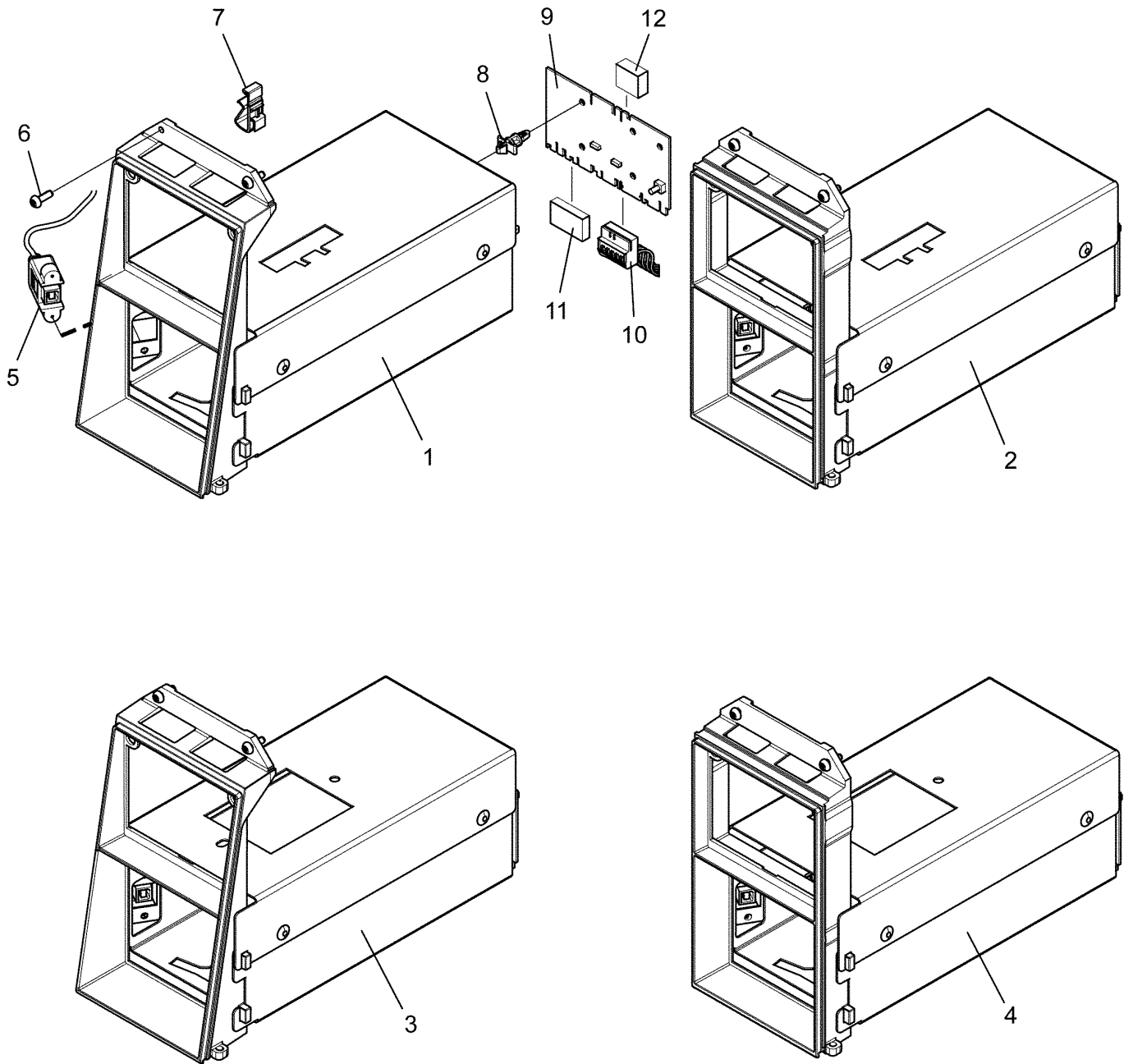
Coinbox housing (for coinbox height 70mm)

Illustration Issue Month Year
Illustration Utgåva Månad År

Mynthus (för myntlåda höjd 70mm)

500452 1 4 2013

| Item Pos. | Qua. Ant. | Art.No Art.nr | Description | Benämning | Info Info | Notes Anmärkning |
|-----------|-----------|--------------------|-----------------------|--------------|-----------|---------------------|
| 1 | 1 | 472 9955-02 | Coinbox housing | Mynthus | | Slanted frame |
| 2 | 1 | 472 9955-04 | Coinbox housing | Mynthus | | Straight frame |
| 3 | 1 | 432 2233-02 | Coin box | Myntlåda | | Complete Random key |
| 4 | 1 | 432 2232-02 | •Coin box | •Myntlåda | | |
| 5 | 1 | 472 9919-30 | •Lock | •Lås | | Random key |
| | 1 | 472 9919-31 | Lock | Lås | | Key 46080 |
| | 1 | 472 9919-32 | Lock | Lås | | Key 46199 |
| | 1 | 472 9919-33 | Lock | Lås | | Key 46819 |
| 6 | 2 | 471 8341-15 | Screw | Skruv | | MRT 4X16 |
| 7 | 2 | 432 6320-01 | Clamp | Klamma | | |
| 8 | 4 | 471 7960-02 | Support | Stöd | | |
| 9 | 1 | 438 8775-09 | Printed circuit board | Kretskort | | |
| 10 | 1 | 413 3276-01 | Cable set | Ledningssats | | |



W585S Compass,W5105S Compass,W5180S Compass,W5250S Compass,W5330S Compass

Coinbox housing (for coinbox height 90mm)

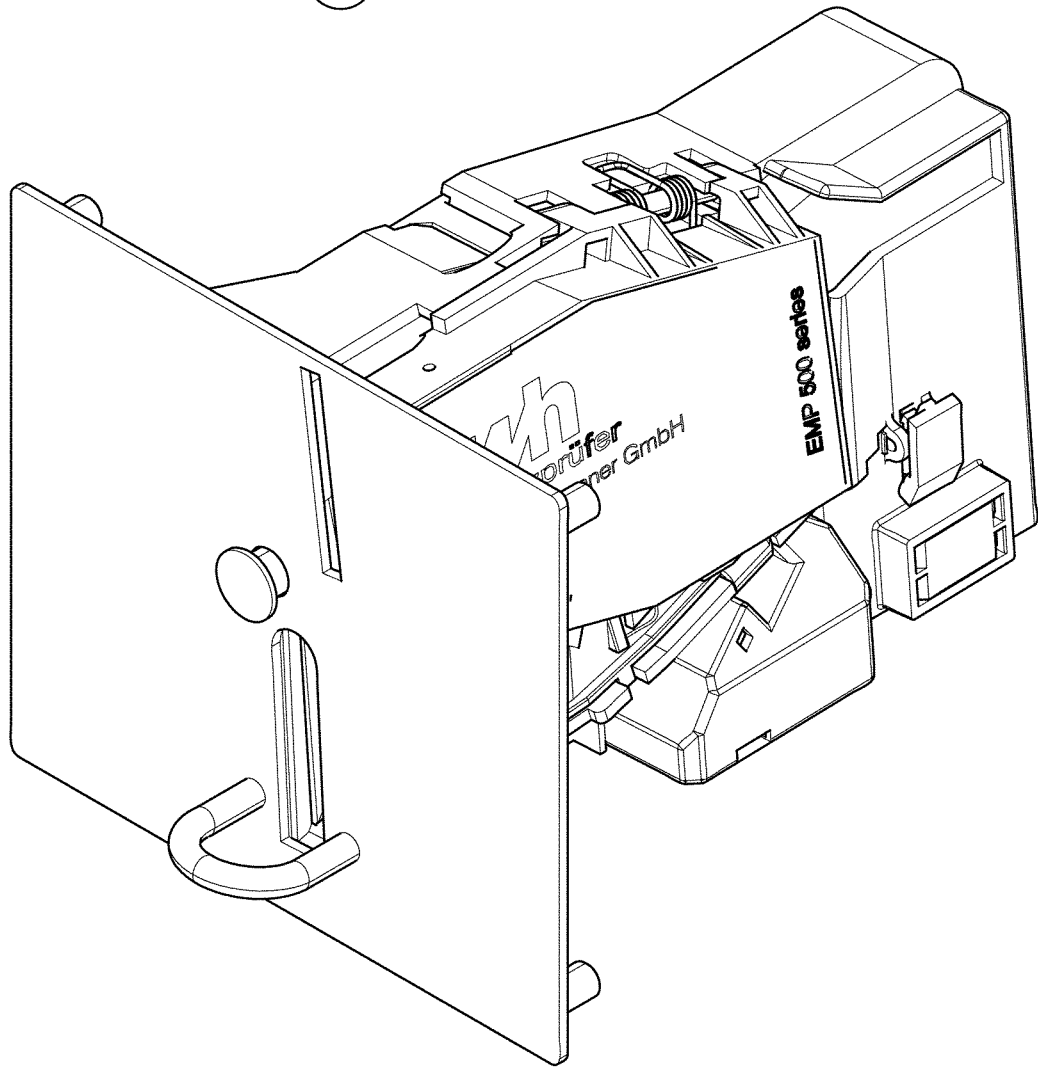
Illustration Issue Month Year
Illustration Utgåva Månad År

Mynthus (för myntlåda höjd 90mm)

500453 1 4 2013

| Item Pos. | Qua. Ant. | Art.No Art.nr | Description | Benämning | Info Info | Notes Anmärkning |
|-----------|-----------|---------------|-----------------------|----------------|-----------|--------------------|
| 1 | 1 | 472 9955-01 | Coinbox housing | Mynthus | | Slanted frame |
| 2 | 1 | 472 9955-03 | Coinbox housing | Mynthus | | Straight frame |
| 3 | 1 | 472 9955-05 | Coinbox housing | Mynthus | | Slanted frame |
| 4 | 1 | 472 9955-06 | Coinbox housing | Mynthus | | Straight frame |
| 5 | 1 | 413 2936-01 | Cable | Kabel | | USB |
| 6 | 2 | 471 8376-01 | Screw | Skruv | | M4X12 |
| | 1 | 471 8376-99 | Tool | Verktyg | | Tool for 471837601 |
| 7 | 2 | 432 6320-01 | Clamp | Klamma | | |
| 8 | 4 | 471 7960-02 | Support | Stöd | | |
| 9 | 1 | 438 8775-09 | Printed circuit board | Kretskort | | |
| 10 | 1 | 413 3276-01 | Cable set | Ledningssats | | |
| 11 | 1 | 438 8701-02 | Frame | Ram | | 3-pole |
| | 1 | 438 8701-01 | Multistik | Kantanslutning | | 3-pole |
| 12 | 1 | 438 8701-04 | Frame | Ram | | 2-pole |
| | 1 | 438 8701-03 | Multistik | Kantanslutning | | 2-pole |

1



W585S Compass,W5105S Compass,W5130S Compass,W5180S Compass,W5250S Compass,W5330S Compass

Electronic coin meter

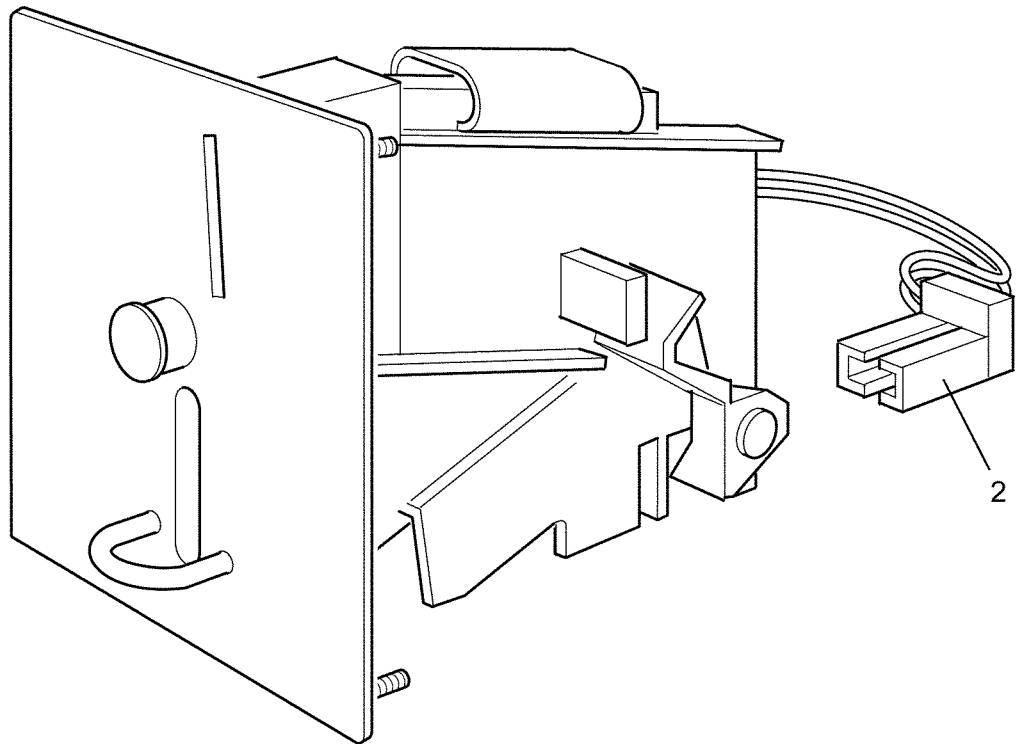
Illustration Issue Month Year
Illustration Utgåva Månad År

Elektronisk myntmätare

500199 3 6 2014

| Item Pos. | Qua. Ant. | Art.No Art.nr | Description | Benämning | Info Info | Notes Anmärkning |
|-----------|-----------|--------------------|-------------|------------|-----------|------------------|
| 1 | 1 | 438 8938-01 | Coin meter | Myntmätare | | JPY+KRW |
| | 1 | 438 8938-02 | Coin meter | Myntmätare | | NZD+AUD |
| | 1 | 438 8938-03 | Coin meter | Myntmätare | | EUR+DKK+NOK |
| | 1 | 438 8938-04 | Coin meter | Myntmätare | | EUR+SEK |
| | 1 | 438 8938-05 | Coin meter | Myntmätare | | HKD+TWD |
| | 1 | 438 8938-06 | Coin meter | Myntmätare | | MOP+MYR+SGD |
| | 1 | 438 8938-07 | Coin meter | Myntmätare | | CHF+CZK+LTL |
| | 1 | 438 8938-08 | Coin meter | Myntmätare | | AED+ZAR+ILS |
| | 1 | 438 8938-09 | Coin meter | Myntmätare | | GBP+EUR |
| | 1 | 438 8938-10 | Coin meter | Myntmätare | | PLN+EUR |
| | 1 | 438 8938-11 | Coin meter | Myntmätare | | EUR+Tokens |
| | 1 | 438 8938-12 | Coin meter | Myntmätare | | CNY |
| | 1 | 438 8938-13 | Coin meter | Myntmätare | | HUF |

1



W585S Compass,W5105S Compass,W5130S Compass,W5180S Compass,W5250S Compass,W5330S Compass

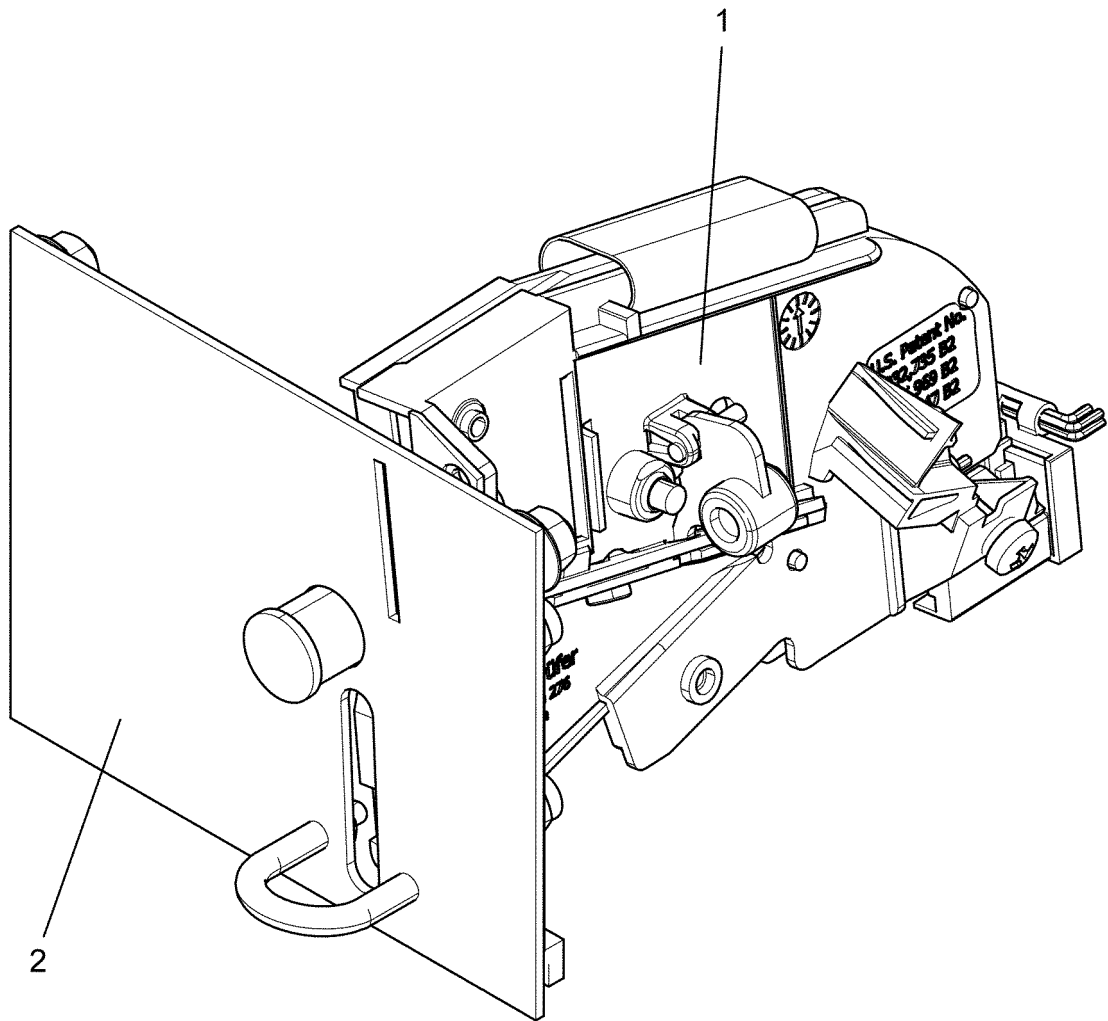
Coin meter

Illustration Issue Month Year
Illustration Utgåva Månad År

Myntmätare

500201 5 7 2013

| Item Pos. | Qua. Ant. | Art.No Art.nr | Description | Benämning | Info Info | Notes Anmärkning |
|--------------------|-----------|--------------------|--------------------|------------|------------|------------------|
| 1 | 1 | 438 8931-59 | Coin meter | Myntmätare | | TOKEN 25,7x1,6 |
| | 1 | 438 8931-60 | Coin meter | Myntmätare | | TOKEN 26,0x2,1 |
| | 1 | 438 8931-75 | Coin meter | Myntmätare | | TOKEN 22,0x1,6 |
| | 1 | 438 8931-76 | Coin meter | Myntmätare | | TOKEN 25,0x2,0 |
| | 1 | 438 8931-78 | Coin meter | Myntmätare | | TOKEN 23,5x1,7 |
| | 1 | 438 8931-79 | Coin meter | Myntmätare | | TOKEN 25,8x1,7 |
| | 1 | 438 8931-81 | Coin meter | Myntmätare | | TOKEN 27,4x1,6 |
| | 1 | 438 8931-82 | Coin meter | Myntmätare | | TOKEN 25,0x1,8 |
| | 1 | 438 8931-85 | Coin meter | Myntmätare | | TOKEN 22,5x1,5 |
| | 1 | 438 8931-86 | Coin meter | Myntmätare | | TOKEN 27,0x1,6 |
| | 1 | 438 8931-87 | Coin meter | Myntmätare | | TOKEN 24,3x1,5 |
| | 1 | 438 8931-88 | Coin meter | Myntmätare | | TOKEN 23,7x1,6 |
| | 1 | 438 8931-89 | Coin meter | Myntmätare | | TOKEN 19,0x1,0 |
| | 1 | 438 8931-90 | Coin meter | Myntmätare | | TOKEN 19,0x1,5 |
| | 1 | 438 8931-91 | Coin meter | Myntmätare | | TOKEN 22,35x1,6 |
| | 2 | Rq | 438 8932-04 | Coin meter | Myntmätare | |
| 438 8924-99 | | | •Sensor | •Sensor | | |



W585S Compass,W5105S Compass,W5130S Compass,W5180S Compass,W5250S Compass,W5330S Compass

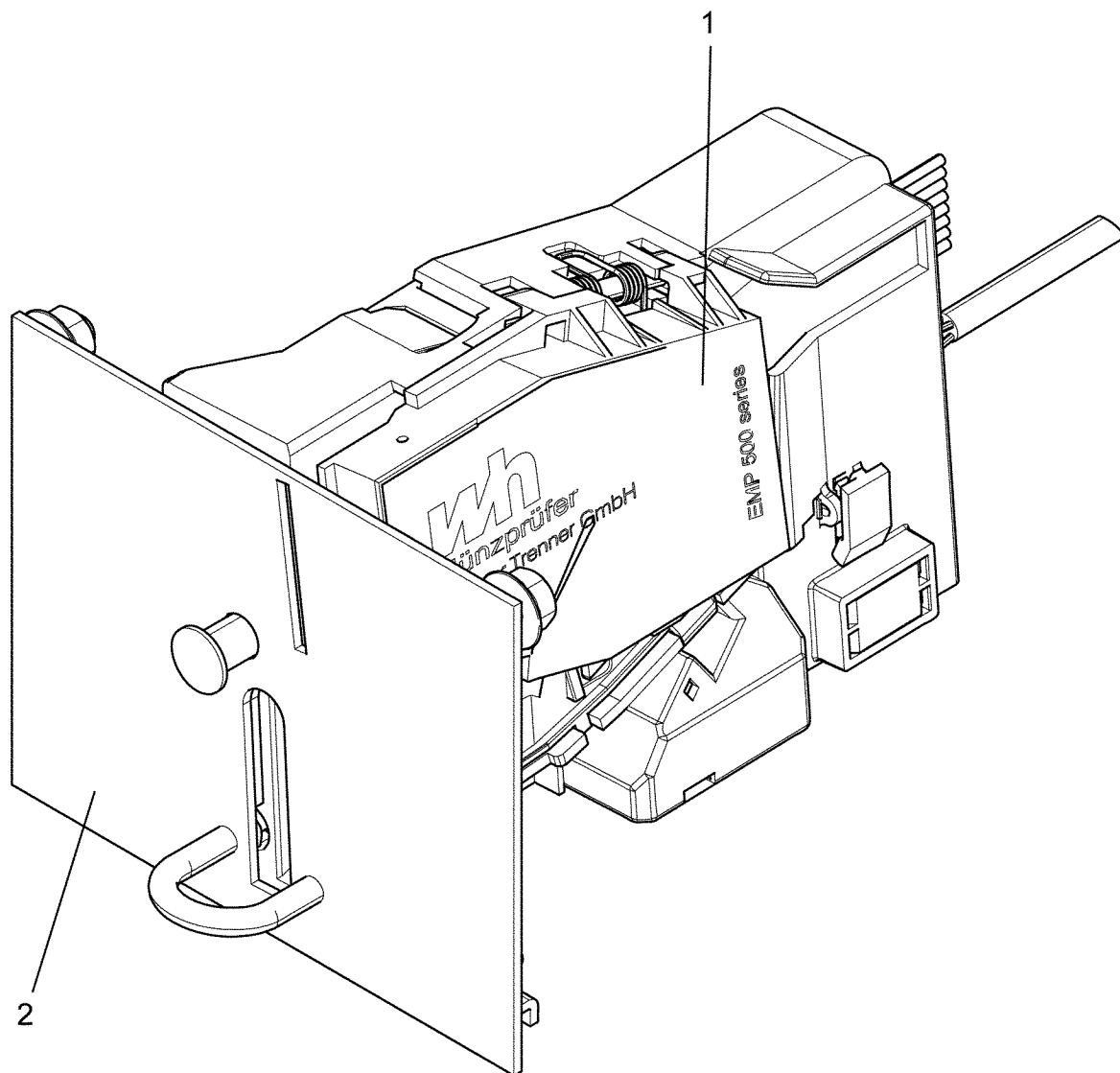
Coin meter (for coinbox height 90mm)

Illustration Issue Month Year
Illustration Utgåva Månad År

Myntmätare (för myntlåda höjd 90mm)

500446 2 5 2014

| Item Pos. | Qua. Ant. | Art.No Art.nr | Description | Benämning | Info Info | Notes Anmärkning |
|-----------|-----------|--------------------|-------------|------------|--------------|---------------------|
| 1 | 1 | 438 8921-10 | Coin meter | Myntmätare | | 0,25 USD |
| 2 | 1 | 438 8921-01 | Front panel | Frontplåt | | 0,25 USD |



W585S Compass,W5105S Compass,W5130S Compass,W5180S Compass,W5250S Compass,W5330S Compass

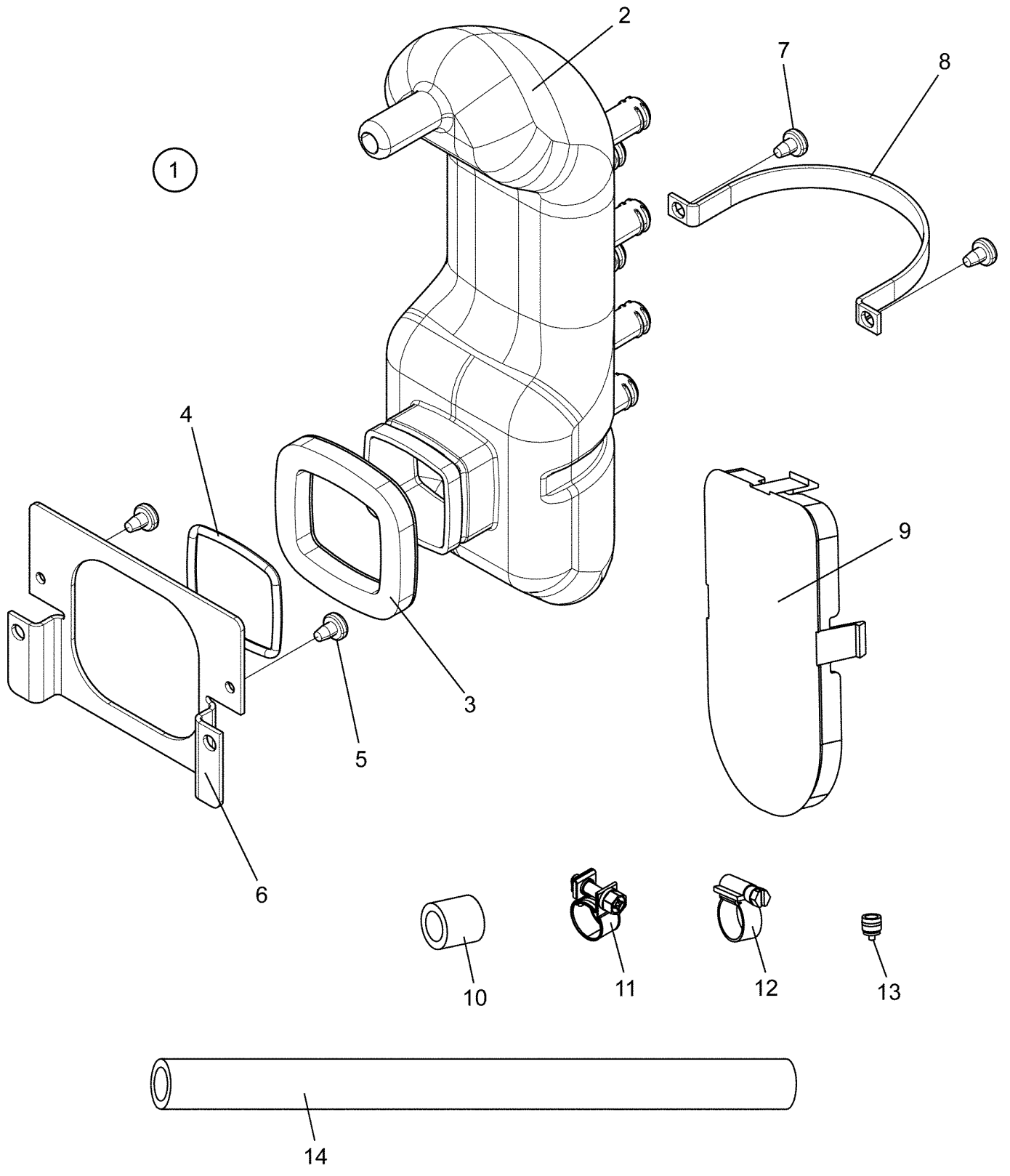
Electronic coin meter (for coinbox height 90mm)

Illustration Issue Month Year
Illustration Utgåva Månad År

Elektronisk myntmätare (för myntlåda höjd 90mm)

500544 1 6 2014

| Item Pos. | Qua. Ant. | Art.No Art.nr | Description | Benämning | Info Info | Notes Anmärkning |
|-----------|-----------|--------------------|-------------|------------|--------------|---------------------|
| 1 | 1 | 438 8935-01 | Coin meter | Myntmätare | | JPY+KRW |
| | 1 | 438 8935-50 | Coin meter | Myntmätare | | CAD+USD |
| 2 | 1 | 438 8934-01 | Front panel | Frontplåt | | JPY+KRW |
| | 1 | 438 8934-50 | Front panel | Frontplåt | | CAD+USD |



W585S Compass,W5105S Compass,W5130S Compass,W5180S Compass,W5250S Compass,W5330S Compass

Liquid detergent USA

Illustration Issue Month Year
Illustration Utgåva Månad År

Flytande tvättmedel USA

500470 2 11 2013

| Item Pos. | Qua. Ant. | Art.No Art.nr | Description | Benämning | Info Info | Notes Anmärkning |
|-----------|-----------|------------------|-------------|--------------|--------------|---------------------|
| 1 | 1 | 472 9958-01 | Manifold | Grenrör | | Complete |
| 2 | 1 | 432 2323-01 | •Manifold | •Grenrör | | |
| 3 | 1 | 438 8174-01 | •Gasket | •Packning | | |
| 4 | 1 | 471 8780-91 | •O-ring | •O-ring | | |
| 5 | 2 | 471 8342-13 | •Screw | •Skruv | | MRT-TT 4X10 |
| 6 | 1 | 432 2325-01 | •Bracket | •Fäste | | |
| 7 | 2 | 471 8342-11 | •Screw | •Skruv | | MRT-TT 4X6 |
| 8 | 1 | 432 2324-01 | •Clamp | •Klämma | | |
| 9 | 1 | 432 2409-01 | •Cover | •Kåpa | | |
| 10 | 1 | 471 9037-73 | •Sleeve | •Hylsa | | |
| 11 | 6 | 471 7851-10 | •Hose clamp | •Slangklämma | | |
| 12 | 3 | 736 2816-51 | •Hose clamp | •Slangklämma | | Ø13-19 |
| 13 | 1 | 471 8234-96 | •Restrictor | •Strypbricka | | |
| 14 | 1 | 438 8110-15 | •Hose | •Slang | | L=675 |

Numerical index/Nummerregister

| Art.No/Art.nr | Page/Sida | Art.No/Art.nr | Page/Sida | Art.No/Art.nr | Page/Sida | Art.No/Art.nr | Page/Sida |
|---------------|-----------|---------------|-----------|---------------|-----------|---------------|-----------|
| 413 1211-01 | 29 | 413 2965-02 | 9 | 413 3274-32 | 43 | 432 1568-01 | 21 |
| 413 1212-01 | 29 | 413 2965-03 | 9 | 413 3276-01 | 75 | 432 1569-01 | 21 |
| 413 1213-01 | 29 | 413 2965-04 | 9 | 413 3276-01 | 77 | 432 1570-21 | 19 |
| 413 1214-01 | 29 | 413 2965-05 | 9 | 413 3276-07 | 31 | 432 1570-22 | 19 |
| 413 1226-01 | 43 | 413 2965-11 | 9 | 413 3276-08 | 31 | 432 1570-23 | 19 |
| 413 2201-04 | 15 | 413 2965-12 | 9 | 413 3276-09 | 31 | 432 1571-01 | 19 |
| 413 2201-05 | 15 | 413 2965-13 | 9 | 413 3276-11 | 31 | 432 1571-02 | 19 |
| 413 2201-06 | 15 | 413 2965-22 | 9 | 413 3704-12 | 11 | 432 1571-03 | 19 |
| 413 2201-07 | 17 | 413 2965-23 | 9 | 413 4015-62 | 7 | 432 1571-11 | 19 |
| 413 2201-09 | 15 | 413 2965-24 | 9 | 413 4115-61 | 7 | 432 1571-12 | 19 |
| 413 2201-13 | 15 | 413 2965-25 | 9 | 413 4115-62 | 7 | 432 1571-13 | 19 |
| 413 2201-15 | 15 | 413 2990-03 | 29 | 413 4212-02 | 23 | 432 1572-11 | 19 |
| 413 2201-18 | 15 | 413 2990-04 | 29 | 413 4215-61 | 7 | 432 1572-12 | 19 |
| 413 2201-20 | 15 | 413 2990-05 | 29 | 413 4312-02 | 23 | 432 1572-13 | 19 |
| 413 2201-31 | 15 | 413 3082-05 | 43 | 413 4315-62 | 7 | 432 1573-11 | 19 |
| 413 2201-32 | 17 | 413 3082-21 | 55 | 413 4415-61 | 7 | 432 1573-12 | 19 |
| 413 2201-33 | 17 | 413 3082-29 | 55 | 413 5003-01 | 45 | 432 1573-13 | 19 |
| 413 2622-01 | 33 | 413 3082-30 | 55 | 413 5005-01 | 13 | 432 1574-31 | 19 |
| 413 2623-03 | 33 | 413 3082-32 | 55 | 413 5007-01 | 13 | 432 1574-32 | 19 |
| 413 2624-03 | 33 | 413 3082-34 | 55 | 413 5009-01 | 13 | 432 1574-33 | 19 |
| 413 2625-03 | 35 | 413 3082-35 | 41 | 413 9701-21 | 29 | 432 1605-41 | 19 |
| 413 2626-01 | 35 | 413 3084-02 | 43 | 432 1220-01 | 43 | 432 1606-01 | 19 |
| 413 2629-01 | 35 | 413 3084-10 | 31 | 432 1229-01 | 29 | 432 1606-03 | 19 |
| 413 2631-07 | 33 | 413 3084-21 | 31 | 432 1295-01 | 9 | 432 1606-21 | 19 |
| 413 2631-08 | 33 | 413 3084-23 | 31 | 432 1338-01 | 9 | 432 1606-22 | 19 |
| 413 2631-10 | 33 | 413 3084-25 | 43 | 432 1363-01 | 9 | 432 1607-21 | 19 |
| 413 2631-11 | 33 | 413 3084-26 | 31 | 432 1419-01 | 9 | 432 1607-22 | 19 |
| 413 2631-13 | 33 | 413 3084-27 | 31 | 432 1421-01 | 9 | 432 1608-21 | 19 |
| 413 2631-14 | 33 | 413 3086-07 | 51 | 432 1451-01 | 7 | 432 1608-22 | 19 |
| 413 2631-27 | 35 | 413 3086-08 | 51 | 432 1451-02 | 7 | 432 1609-41 | 19 |
| 413 2631-28 | 35 | 413 3086-08 | 53 | 432 1453-01 | 7 | 432 1630-01 | 67 |
| 413 2631-35 | 35 | 413 3086-09 | 51 | 432 1455-01 | 29 | 432 1631-01 | 67 |
| 413 2631-36 | 35 | 413 3086-10 | 51 | 432 1465-01 | 29 | 432 1653-01 | 9 |
| 413 2631-43 | 35 | 413 3086-10 | 53 | 432 1500-21 | 19 | 432 1654-01 | 9 |
| 413 2631-44 | 35 | 413 3088-07 | 49 | 432 1501-01 | 19 | 432 1673-01 | 67 |
| 413 2902-02 | 63 | 413 3088-07 | 53 | 432 1501-02 | 19 | 432 1840-02 | 23 |
| 413 2902-04 | 63 | 413 3088-07 | 55 | 432 1501-11 | 19 | 432 1840-03 | 23 |
| 413 2902-06 | 63 | 413 3088-08 | 55 | 432 1501-12 | 19 | 432 1841-02 | 23 |
| 413 2902-08 | 63 | 413 3088-08 | 57 | 432 1502-11 | 19 | 432 1841-04 | 23 |
| 413 2902-10 | 63 | 413 3088-08 | 59 | 432 1502-12 | 19 | 432 1842-02 | 23 |
| 413 2903-03 | 65 | 413 3088-10 | 53 | 432 1503-11 | 19 | 432 1842-03 | 23 |
| 413 2903-05 | 65 | 413 3088-10 | 57 | 432 1503-12 | 19 | 432 1843-02 | 23 |
| 413 2905-02 | 41 | 413 3088-10 | 59 | 432 1504-21 | 19 | 432 1843-04 | 23 |
| 413 2915-01 | 17 | 413 3182-02 | 41 | 432 1540-01 | 21 | 432 1855-01 | 23 |
| 413 2915-02 | 41 | 413 3182-09 | 57 | 432 1541-01 | 21 | 432 1856-01 | 23 |
| 413 2918-01 | 31 | 413 3182-09 | 59 | 432 1542-01 | 21 | 432 1857-01 | 23 |
| 413 2918-01 | 43 | 413 3182-10 | 57 | 432 1543-01 | 21 | 432 1857-02 | 23 |
| 413 2918-02 | 31 | 413 3182-10 | 59 | 432 1544-01 | 21 | 432 1858-01 | 23 |
| 413 2918-02 | 43 | 413 3182-11 | 59 | 432 1545-01 | 21 | 432 1858-02 | 23 |
| 413 2918-03 | 31 | 413 3182-14 | 59 | 432 1546-01 | 21 | 432 1870-01 | 23 |
| 413 2918-03 | 43 | 413 3182-15 | 57 | 432 1547-01 | 21 | 432 1871-01 | 23 |
| 413 2918-04 | 31 | 413 3182-15 | 59 | 432 1548-01 | 21 | 432 1872-01 | 23 |
| 413 2918-04 | 43 | 413 3182-16 | 57 | 432 1549-01 | 21 | 432 1873-01 | 23 |
| 413 2918-05 | 31 | 413 3182-16 | 59 | 432 1550-01 | 21 | 432 1874-01 | 23 |
| 413 2918-05 | 43 | 413 3182-17 | 59 | 432 1551-01 | 21 | 432 1885-03 | 23 |
| 413 2918-06 | 31 | 413 3184-02 | 45 | 432 1552-01 | 21 | 432 1885-11 | 23 |
| 413 2918-06 | 43 | 413 3184-05 | 45 | 432 1553-01 | 21 | 432 1886-02 | 23 |
| 413 2918-07 | 31 | 413 3272-04 | 9 | 432 1554-01 | 21 | 432 1886-11 | 23 |
| 413 2918-08 | 31 | 413 3272-10 | 29 | 432 1560-01 | 21 | 432 1889-02 | 23 |
| 413 2918-09 | 31 | 413 3272-11 | 9 | 432 1561-01 | 21 | 432 1890-02 | 23 |
| 413 2922-01 | 9 | 413 3272-19 | 71 | 432 1562-01 | 21 | 432 1950-02 | 23 |
| 413 2936-01 | 33 | 413 3272-21 | 73 | 432 1563-01 | 21 | 432 1951-01 | 23 |
| 413 2936-01 | 35 | 413 3272-24 | 9 | 432 1564-01 | 21 | 432 1961-01 | 23 |
| 413 2936-01 | 77 | 413 3272-25 | 9 | 432 1565-01 | 21 | 432 1962-01 | 23 |
| 413 2946-01 | 43 | 413 3274-01 | 41 | 432 1566-01 | 21 | 432 2041-03 | 13 |
| 413 2965-01 | 9 | 413 3274-20 | 39 | 432 1567-01 | 21 | 432 2041-10 | 13 |

Numerical index/Nummerregister

| Art.No/Art.nr | Page/Sida | Art.No/Art.nr | Page/Sida | Art.No/Art.nr | Page/Sida | Art.No/Art.nr | Page/Sida |
|---------------|-----------|---------------|-----------|---------------|-----------|---------------|-----------|
| 432 2042-03 | 13 | 432 2306-01 | 47 | 432 2653-12 | 33 | 438 4062-01 | 23 |
| 432 2042-10 | 13 | 432 2308-01 | 47 | 432 2653-12 | 35 | 438 5022-01 | 65 |
| 432 2043-03 | 13 | 432 2314-01 | 47 | 432 2653-14 | 33 | 438 5109-02 | 13 |
| 432 2043-10 | 13 | 432 2320-01 | 47 | 432 2653-14 | 35 | 438 7950-01 | 43 |
| 432 2044-03 | 13 | 432 2323-01 | 87 | 432 2653-15 | 33 | 438 7950-02 | 43 |
| 432 2044-10 | 13 | 432 2324-01 | 87 | 432 2653-15 | 35 | 438 8102-06 | 45 |
| 432 2046-03 | 13 | 432 2325-01 | 87 | 432 2653-30 | 33 | 438 8110-15 | 87 |
| 432 2046-10 | 13 | 432 2351-01 | 15 | 432 2653-30 | 35 | 438 8115-01 | 25 |
| 432 2058-03 | 13 | 432 2352-01 | 15 | 432 2653-31 | 33 | 438 8115-02 | 25 |
| 432 2058-10 | 13 | 432 2353-01 | 15 | 432 2653-31 | 35 | 438 8115-03 | 25 |
| 432 2064-01 | 13 | 432 2355-01 | 15 | 432 2653-80 | 33 | 438 8115-04 | 25 |
| 432 2065-01 | 15 | 432 2356-01 | 15 | 432 2653-80 | 35 | 438 8120-01 | 45 |
| 432 2066-01 | 13 | 432 2360-01 | 33 | 432 2905-28 | 27 | 438 8120-02 | 45 |
| 432 2067-01 | 15 | 432 2361-01 | 33 | 432 2905-30 | 27 | 438 8120-03 | 45 |
| 432 2068-01 | 13 | 432 2363-01 | 35 | 432 2905-32 | 27 | 438 8155-01 | 19 |
| 432 2076-01 | 15 | 432 2364-01 | 35 | 432 2905-34 | 27 | 438 8155-02 | 19 |
| 432 2120-01 | 15 | 432 2365-01 | 35 | 432 2905-36 | 27 | 438 8155-03 | 19 |
| 432 2120-06 | 15 | 432 2404-51 | 69 | 432 2925-01 | 31 | 438 8155-04 | 19 |
| 432 2121-02 | 15 | 432 2405-02 | 69 | 432 2950-02 | 9 | 438 8155-05 | 19 |
| 432 2121-05 | 15 | 432 2406-02 | 69 | 432 2953-10 | 9 | 438 8158-01 | 29 |
| 432 2121-06 | 15 | 432 2407-01 | 69 | 432 2954-03 | 41 | 438 8158-02 | 29 |
| 432 2122-02 | 15 | 432 2409-01 | 69 | 432 2954-13 | 41 | 438 8174-01 | 87 |
| 432 2130-03 | 15 | 432 2409-01 | 87 | 432 2954-14 | 41 | 438 8270-01 | 65 |
| 432 2130-06 | 15 | 432 2412-01 | 69 | 432 2954-26 | 65 | 438 8270-02 | 65 |
| 432 2130-08 | 15 | 432 2413-01 | 69 | 432 2961-01 | 31 | 438 8701-01 | 41 |
| 432 2131-05 | 15 | 432 2501-01 | 61 | 432 2977-01 | 9 | 438 8701-01 | 77 |
| 432 2131-06 | 15 | 432 2502-01 | 45 | 432 2982-10 | 63 | 438 8701-02 | 77 |
| 432 2131-07 | 15 | 432 2502-01 | 61 | 432 2983-03 | 41 | 438 8701-03 | 41 |
| 432 2154-01 | 41 | 432 2505-01 | 61 | 432 2983-04 | 41 | 438 8701-03 | 77 |
| 432 2180-01 | 17 | 432 2506-01 | 45 | 432 2984-01 | 41 | 438 8701-04 | 77 |
| 432 2182-01 | 13 | 432 2507-01 | 45 | 432 2985-01 | 9 | 438 8720-01 | 41 |
| 432 2182-02 | 13 | 432 2508-01 | 45 | 432 2991-02 | 29 | 438 8720-02 | 41 |
| 432 2182-03 | 13 | 432 2508-03 | 45 | 432 2998-01 | 9 | 438 8720-03 | 41 |
| 432 2182-04 | 13 | 432 2508-04 | 45 | 432 3058-04 | 67 | 438 8774-02 | 31 |
| 432 2198-01 | 9 | 432 2511-01 | 45 | 432 3092-86 | 41 | 438 8775-09 | 75 |
| 432 2198-02 | 9 | 432 2516-04 | 63 | 432 3106-01 | 41 | 438 8775-09 | 77 |
| 432 2198-02 | 25 | 432 2516-05 | 63 | 432 3604-01 | 43 | 438 8797-02 | 43 |
| 432 2199-01 | 41 | 432 2518-01 | 63 | 432 3604-02 | 43 | 438 8921-01 | 83 |
| 432 2199-03 | 41 | 432 2518-02 | 63 | 432 6318-01 | 17 | 438 8921-10 | 83 |
| 432 2199-05 | 41 | 432 2518-03 | 63 | 432 6320-01 | 41 | 438 8924-99 | 81 |
| 432 2200-63 | 13 | 432 2518-04 | 63 | 432 6320-01 | 75 | 438 8931-59 | 81 |
| 432 2200-70 | 13 | 432 2518-05 | 63 | 432 6320-01 | 77 | 438 8931-60 | 81 |
| 432 2209-07 | 13 | 432 2518-07 | 63 | 432 6323-01 | 43 | 438 8931-75 | 81 |
| 432 2214-01 | 41 | 432 2522-01 | 45 | 432 6346-06 | 37 | 438 8931-76 | 81 |
| 432 2215-01 | 17 | 432 2524-01 | 65 | 432 6353-02 | 37 | 438 8931-78 | 81 |
| 432 2232-02 | 75 | 432 2527-01 | 45 | 432 6353-03 | 37 | 438 8931-79 | 81 |
| 432 2233-02 | 75 | 432 2527-02 | 45 | 432 6355-02 | 39 | 438 8931-81 | 81 |
| 432 2256-01 | 41 | 432 2527-03 | 45 | 432 6356-01 | 39 | 438 8931-82 | 81 |
| 432 2257-01 | 41 | 432 2527-04 | 45 | 432 6372-01 | 39 | 438 8931-85 | 81 |
| 432 2258-01 | 41 | 432 2527-05 | 45 | 432 6373-01 | 39 | 438 8931-86 | 81 |
| 432 2259-01 | 17 | 432 2528-01 | 45 | 432 6805-07 | 41 | 438 8931-87 | 81 |
| 432 2270-02 | 23 | 432 2528-02 | 45 | 432 6809-01 | 37 | 438 8931-88 | 81 |
| 432 2273-01 | 17 | 432 2528-03 | 45 | 432 6810-02 | 39 | 438 8931-89 | 81 |
| 432 2288-65 | 15 | 432 2528-05 | 45 | 432 6820-02 | 37 | 438 8931-90 | 81 |
| 432 2288-66 | 15 | 432 2531-01 | 63 | 432 6903-02 | 43 | 438 8931-91 | 81 |
| 432 2289-65 | 15 | 432 2531-02 | 63 | 432 6903-03 | 43 | 438 8932-04 | 81 |
| 432 2289-66 | 15 | 432 2532-01 | 65 | 432 6930-03 | 41 | 438 8934-01 | 85 |
| 432 2290-65 | 15 | 432 2533-01 | 65 | 432 6933-03 | 43 | 438 8934-50 | 85 |
| 432 2290-66 | 15 | 432 2534-01 | 63 | 432 6937-01 | 25 | 438 8935-01 | 85 |
| 432 2291-65 | 17 | 432 2537-01 | 63 | 438 0051-01 | 61 | 438 8935-50 | 85 |
| 432 2291-66 | 17 | 432 2538-01 | 65 | 438 0052-01 | 61 | 438 8938-01 | 79 |
| 432 2292-65 | 15 | 432 2548-01 | 63 | 438 0053-01 | 61 | 438 8938-02 | 79 |
| 432 2292-66 | 15 | 432 2653-10 | 33 | 438 0054-01 | 61 | 438 8938-03 | 79 |
| 432 2294-65 | 15 | 432 2653-10 | 35 | 438 0055-01 | 61 | 438 8938-04 | 79 |
| 432 2294-66 | 15 | 432 2653-11 | 33 | 438 0056-03 | 47 | 438 8938-05 | 79 |
| 432 2305-01 | 47 | 432 2653-11 | 35 | 438 0056-04 | 47 | 438 8938-06 | 79 |

Numerical index/Nummerregister

| Art.No/Art.nr | Page/Sida | Art.No/Art.nr | Page/Sida | Art.No/Art.nr | Page/Sida | Art.No/Art.nr | Page/Sida |
|---------------|-----------|---------------|-----------|---------------|-----------|---------------|-----------|
| 438 8938-07 | 79 | 471 7871-07 | 63 | 471 8323-01 | 21 | 471 9825-23 | 7 |
| 438 8938-08 | 79 | 471 7871-07 | 65 | 471 8328-02 | 21 | 471 9825-24 | 7 |
| 438 8938-09 | 79 | 471 7871-08 | 47 | 471 8328-10 | 29 | 471 9829-01 | 7 |
| 438 8938-10 | 79 | 471 7887-01 | 45 | 471 8340-13 | 33 | 471 9829-02 | 7 |
| 438 8938-11 | 79 | 471 7958-02 | 43 | 471 8340-13 | 35 | 471 9829-04 | 7 |
| 438 8938-12 | 79 | 471 7960-02 | 43 | 471 8341-15 | 75 | 471 9829-11 | 7 |
| 438 8938-13 | 79 | 471 7960-02 | 75 | 471 8342-11 | 87 | 471 9829-12 | 7 |
| 438 9515-01 | 65 | 471 7960-02 | 77 | 471 8342-13 | 87 | 471 9829-13 | 7 |
| 438 9561-01 | 27 | 471 7977-01 | 47 | 471 8342-47 | 27 | 471 9829-21 | 7 |
| 438 9562-01 | 9 | 471 7977-03 | 43 | 471 8344-35 | 17 | 471 9829-22 | 7 |
| 438 9563-01 | 9 | 471 7977-04 | 43 | 471 8344-36 | 25 | 471 9829-23 | 9 |
| 438 9565-01 | 9 | 471 7977-04 | 47 | 471 8356-05 | 29 | 471 9837-01 | 7 |
| 438 9566-01 | 9 | 471 7984-01 | 43 | 471 8356-08 | 29 | 471 9837-04 | 7 |
| 438 9569-01 | 9 | 471 8116-03 | 65 | 471 8356-10 | 29 | 471 9837-05 | 7 |
| 438 9572-01 | 9 | 471 8126-25 | 67 | 471 8376-01 | 77 | 471 9837-06 | 7 |
| 438 9573-01 | 9 | 471 8126-26 | 67 | 471 8376-99 | 77 | 471 9837-07 | 7 |
| 438 9636-22 | 41 | 471 8126-27 | 67 | 471 8404-02 | 23 | 471 9837-08 | 7 |
| 438 9636-23 | 41 | 471 8126-28 | 67 | 471 8404-03 | 61 | 471 9837-11 | 7 |
| 438 9636-24 | 41 | 471 8128-41 | 45 | 471 8458-02 | 15 | 471 9837-12 | 7 |
| 438 9636-92 | 41 | 471 8128-61 | 45 | 471 8502-14 | 21 | 471 9837-13 | 7 |
| 438 9636-93 | 41 | 471 8128-63 | 45 | 471 8502-34 | 21 | 471 9837-14 | 7 |
| 438 9636-94 | 41 | 471 8128-64 | 45 | 471 8527-01 | 25 | 471 9837-15 | 7 |
| 438 9678-01 | 41 | 471 8128-65 | 45 | 471 8613-05 | 45 | 471 9839-11 | 7 |
| 438 9678-02 | 41 | 471 8128-66 | 45 | 471 8624-01 | 67 | 471 9839-13 | 7 |
| 438 9678-03 | 41 | 471 8128-67 | 45 | 471 8641-02 | 17 | 471 9839-15 | 7 |
| 438 9678-04 | 41 | 471 8139-01 | 45 | 471 8644-02 | 47 | 472 5797-10 | 33 |
| 438 9678-11 | 41 | 471 8139-11 | 45 | 471 8688-13 | 47 | 472 5797-10 | 35 |
| 438 9678-12 | 41 | 471 8139-15 | 45 | 471 8688-13 | 61 | 472 5797-12 | 33 |
| 438 9678-13 | 41 | 471 8139-16 | 45 | 471 8693-21 | 47 | 472 5797-12 | 35 |
| 438 9678-14 | 41 | 471 8175-01 | 47 | 471 8695-01 | 67 | 472 5797-13 | 33 |
| 438 9702-61 | 29 | 471 8195-01 | 61 | 471 8697-01 | 67 | 472 5797-13 | 35 |
| 438 9703-51 | 29 | 471 8196-01 | 13 | 471 8750-11 | 43 | 472 5797-30 | 33 |
| 438 9704-41 | 29 | 471 8199-01 | 47 | 471 8750-16 | 41 | 472 5797-30 | 35 |
| 438 9705-02 | 29 | 471 8210-70 | 57 | 471 8767-01 | 41 | 472 5797-35 | 33 |
| 438 9799-01 | 31 | 471 8210-70 | 59 | 471 8767-02 | 41 | 472 5797-35 | 35 |
| 438 9799-02 | 29 | 471 8210-71 | 57 | 471 8768-02 | 31 | 472 5797-40 | 33 |
| 438 9799-03 | 29 | 471 8210-71 | 59 | 471 8780-91 | 87 | 472 5797-40 | 35 |
| 438 9799-12 | 31 | 471 8210-78 | 57 | 471 8783-01 | 41 | 472 5797-50 | 33 |
| 471 2265-69 | 17 | 471 8210-78 | 59 | 471 8783-03 | 41 | 472 5797-50 | 35 |
| 471 2265-69 | 37 | 471 8210-79 | 57 | 471 8783-04 | 41 | 472 5797-51 | 33 |
| 471 2409-89 | 47 | 471 8210-79 | 59 | 471 8826-01 | 29 | 472 5797-51 | 35 |
| 471 2436-10 | 17 | 471 8215-01 | 63 | 471 8827-01 | 29 | 472 5797-80 | 33 |
| 471 2442-41 | 37 | 471 8215-03 | 63 | 471 8861-02 | 17 | 472 5797-80 | 35 |
| 471 2937-01 | 67 | 471 8234-52 | 55 | 471 8861-03 | 37 | 472 6760-01 | 65 |
| 471 4391-02 | 65 | 471 8234-96 | 87 | 471 8863-02 | 37 | 472 9900-99 | 17 |
| 471 4672-67 | 13 | 471 8236-76 | 51 | 471 9037-73 | 87 | 472 9904-98 | 9 |
| 471 4673-93 | 43 | 471 8236-76 | 53 | 471 9222-59 | 21 | 472 9913-12 | 19 |
| 471 4835-01 | 45 | 471 8236-78 | 51 | 471 9550-32 | 9 | 472 9913-13 | 19 |
| 471 6858-82 | 65 | 471 8236-78 | 53 | 471 9628-32 | 71 | 472 9913-14 | 19 |
| 471 6858-83 | 65 | 471 8236-79 | 51 | 471 9628-71 | 71 | 472 9913-16 | 19 |
| 471 7565-21 | 15 | 471 8236-79 | 53 | 471 9628-71 | 73 | 472 9913-18 | 19 |
| 471 7705-05 | 29 | 471 8240-63 | 49 | 471 9628-75 | 71 | 472 9919-30 | 75 |
| 471 7705-06 | 29 | 471 8240-63 | 55 | 471 9628-75 | 73 | 472 9919-31 | 75 |
| 471 7711-09 | 29 | 471 8240-63 | 57 | 471 9628-85 | 73 | 472 9919-32 | 75 |
| 471 7711-10 | 29 | 471 8240-63 | 59 | 471 9678-94 | 43 | 472 9919-33 | 75 |
| 471 7711-14 | 29 | 471 8240-64 | 53 | 471 9821-99 | 9 | 472 9920-01 | 23 |
| 471 7711-15 | 29 | 471 8240-67 | 53 | 471 9822-99 | 9 | 472 9920-31 | 67 |
| 471 7807-02 | 7 | 471 8240-68 | 53 | 471 9825-01 | 7 | 472 9929-31 | 31 |
| 471 7807-02 | 21 | 471 8240-69 | 55 | 471 9825-02 | 7 | 472 9929-32 | 31 |
| 471 7818-01 | 61 | 471 8240-69 | 57 | 471 9825-03 | 7 | 472 9929-41 | 31 |
| 471 7826-10 | 17 | 471 8240-69 | 59 | 471 9825-04 | 7 | 472 9929-51 | 31 |
| 471 7851-10 | 87 | 471 8243-07 | 45 | 471 9825-11 | 7 | 472 9938-01 | 31 |
| 471 7859-16 | 41 | 471 8243-08 | 45 | 471 9825-12 | 7 | 472 9938-02 | 31 |
| 471 7864-01 | 17 | 471 8243-09 | 45 | 471 9825-13 | 7 | 472 9938-03 | 31 |
| 471 7871-04 | 47 | 471 8243-10 | 45 | 471 9825-21 | 7 | 472 9940-02 | 33 |
| 471 7871-04 | 61 | 471 8279-08 | 67 | 471 9825-22 | 7 | 472 9940-02 | 35 |

Numerical index/Nummerregister

| Art.No/Art.nr | Page/Sida | Art.No/Art.nr | Page/Sida | Art.No/Art.nr | Page/Sida | Art.No/Art.nr | Page/Sida |
|---------------|-----------|---------------|-----------|---------------|-----------|---------------|-----------|
| 472 9940-04 | 33 | 736 2846-51 | 63 | | | | |
| 472 9940-04 | 35 | 736 2849-51 | 65 | | | | |
| 472 9951-02 | 13 | 740 4206-00 | 47 | | | | |
| 472 9951-04 | 13 | 741 5109-25 | 47 | | | | |
| 472 9951-05 | 13 | 744 3113-06 | 67 | | | | |
| 472 9951-06 | 13 | 877 5211-08 | 47 | | | | |
| 472 9951-12 | 13 | | | | | | |
| 472 9951-14 | 13 | | | | | | |
| 472 9951-15 | 13 | | | | | | |
| 472 9951-16 | 13 | | | | | | |
| 472 9951-22 | 13 | | | | | | |
| 472 9951-24 | 13 | | | | | | |
| 472 9951-25 | 13 | | | | | | |
| 472 9951-26 | 13 | | | | | | |
| 472 9953-01 | 23 | | | | | | |
| 472 9953-02 | 23 | | | | | | |
| 472 9953-03 | 23 | | | | | | |
| 472 9953-04 | 23 | | | | | | |
| 472 9954-01 | 69 | | | | | | |
| 472 9954-03 | 69 | | | | | | |
| 472 9955-01 | 77 | | | | | | |
| 472 9955-02 | 75 | | | | | | |
| 472 9955-03 | 77 | | | | | | |
| 472 9955-04 | 75 | | | | | | |
| 472 9955-05 | 77 | | | | | | |
| 472 9955-06 | 77 | | | | | | |
| 472 9955-07 | 33 | | | | | | |
| 472 9955-07 | 35 | | | | | | |
| 472 9955-07 | 71 | | | | | | |
| 472 9955-07 | 73 | | | | | | |
| 472 9956-01 | 33 | | | | | | |
| 472 9956-01 | 35 | | | | | | |
| 472 9956-02 | 33 | | | | | | |
| 472 9956-02 | 35 | | | | | | |
| 472 9956-03 | 33 | | | | | | |
| 472 9956-03 | 35 | | | | | | |
| 472 9957-01 | 23 | | | | | | |
| 472 9958-01 | 87 | | | | | | |
| 490 4440-17 | 41 | | | | | | |
| 725 2366-61 | 23 | | | | | | |
| 725 2465-71 | 7 | | | | | | |
| 732 2118-01 | 7 | | | | | | |
| 732 2118-01 | 21 | | | | | | |
| 732 2122-01 | 29 | | | | | | |
| 735 2153-01 | 17 | | | | | | |
| 735 3133-00 | 21 | | | | | | |
| 735 3139-00 | 21 | | | | | | |
| 735 3144-00 | 21 | | | | | | |
| 735 3147-00 | 21 | | | | | | |
| 735 9370-01 | 21 | | | | | | |
| 735 9501-01 | 21 | | | | | | |
| 735 9630-01 | 21 | | | | | | |
| 736 2816-51 | 47 | | | | | | |
| 736 2816-51 | 65 | | | | | | |
| 736 2816-51 | 87 | | | | | | |
| 736 2825-51 | 45 | | | | | | |
| 736 2825-51 | 47 | | | | | | |
| 736 2825-51 | 65 | | | | | | |
| 736 2831-51 | 45 | | | | | | |
| 736 2837-51 | 45 | | | | | | |
| 736 2837-51 | 47 | | | | | | |
| 736 2837-51 | 65 | | | | | | |
| 736 2840-51 | 45 | | | | | | |
| 736 2840-51 | 65 | | | | | | |
| 736 2846-51 | 45 | | | | | | |
| 736 2846-51 | 47 | | | | | | |



ELECTROLUX LAUNDRY SYSTEMS

ELECTROLUX LAUNDRY SYSTEMS SWEDEN AB
341 80 Ljungby, Sweden. Telephone +46 372 661 00. Telefax +46 372 133 90
Internet: www.electrolux-wascator.com E-mail: els.info@electrolux.se