

# Section 6

## Parts Data

### Thoroughbred 900

#### Accessories

**Model**            **WCN55AEK 208-240**        **volts**            **60hz.**            **Single or Three Phase**  
**Mechanical Timer Coin Commercial Washer**

<b>Part Number</b>	<b>Description</b>
9990-027-011	Hose, Water Supply 3/8" I.D. x 48"
9990-027-013	Hose , Water supply 5/8" I.D. x 48" ( furnished)    2
8641-242-000	Washer, Inlet Hose (furnished)    2
9565-003-001	Strainer, Inlet Hose (furnished)    2
9242-417-001	Drain Hose 10 ft length x 2-1/4" I.D. (optional)
9242-417-003	Drain Hose 10 ft length x 3" I.D. (optional)
8641-586-002	Bevel Washer for 5/8" bolt used in installations using angle iron bases
8641-586-003	Bevel Washer for 3/4" bolt used in installations using angle iron bases
9732-141-001	Manual Operation Kit
9539-474-001	Switch, Blk/Red (included in kit)    1
9539-474-002	Switch, Blk/Wht (included in kit)    1
8545-051-003	T-10 Torx for removing coin acceptor mounting screws
9732-139-002	Kit, Door Gasket Expander (large)        1
9732-139-001	Kit, Door Gasket Expander (small)        1
8545-055-002	Electrical Probe 100-600 VAC
8545-055-001	Electrical Probe 24-90 VAC
8538-151-001	Sealing Compound
8545-056-001	Special Tool for adjusting spacing between outer tub front and cylinder front
Snap On #CJ-84-C	Puller for pushing cylinder out of bearings

# CABINET AND FRONT PANEL GROUP

Key	Part Number	Description	
1	9454-672-001	Panel ,Side ( Left or Right )- Stainless .....	4
*	9545-018-013	Screw , Side to Side .....	8
*	8640-414-006	Nuts , KEPS .....	8
2	9966-012-001	Strap Assembly, Side Panel .....	4
2	8640-414-006	Nut.....	8
3	9454-671-001	Panel Assy, Front .....	1
4	9059-063-002	Band, Edge Protector .....	1
*	9545-008-024	Screw, Hex- To Control Panel .....	2
*	8640-399-005	Nut, Spring- To Control Panel .....	2
5	9545-008-014	Screw, Flat Head- Front to Sides .....	2
5	8641-585-001	Washer, Finish.....	2
*	8640-399-008	Nut, Spring- To Front Panel.....	2
*	9545-008-023	Screw, Fillister Head Guide.....	2
6	8502-624-002	Label, Door Opening .....	1
7	9989-457-001	Panel, Control (Mounts Nameplate) .....	1
*	9545-008-026	Screw, Hex Wshr- Control Panel to Sides .....	4
8	9412-094-002	Nameplate, Control Panel (one piece) .....	1
8	9412-094-001	Nameplate, Control Panel (two piece)-(old style no time count-down).....	1
9	8502-629-011	Label, Switch Membrane (used only with #9412-094-001).....	1
*	9355-001-001	Locator, Panel .....	1
*	9545-008-025	Screw, #10.....	1
10	9454-673-001	Panel, Top .....	1
11	8650-012-003	Lock, Top (w/Key) .....	2
*	6292-006-007	Key Only, #-6324.....	1
*	9095-038-001	Cam, Lock Top .....	2
*	8640-426-001	Nut, 9/32 .....	2
*	8641-581-008	Washer, Flat .....	2
12	9108-099-001	Door, Lower Service .....	1
13	9244-081-003	Handle (bumper guard).....	1
*	9545-045-010	Screw.....	4
*	9545-008-023	Screw, Fillister Head Guide.....	3
14	9545-008-014	Screw, Flat Head.....	2
14	8641-585-001	Washer, Finish.....	2
*	8640-399-008	Nut, Spring .....	2
15	9108-095-003	Door, Dispenser.....	1
*	9451-191-001	Pin, Plain .....	2
*	9467-025-001	Post, Door Mounting .....	2
*	9545-045-002	Screw, Dispenser Post Mtg.....	4
*	9545-008-012	Screw, Dispenser Mounting.....	4
*	8640-399-007	Nut, Spring .....	4
16	9732-122-001	Box Assy, Coin (See Coin Handling Group) .....	1
17	9021-001-010	Acceptor, Coin 25cents (See Coin Handling Group).....	1

\* Not Illustrated

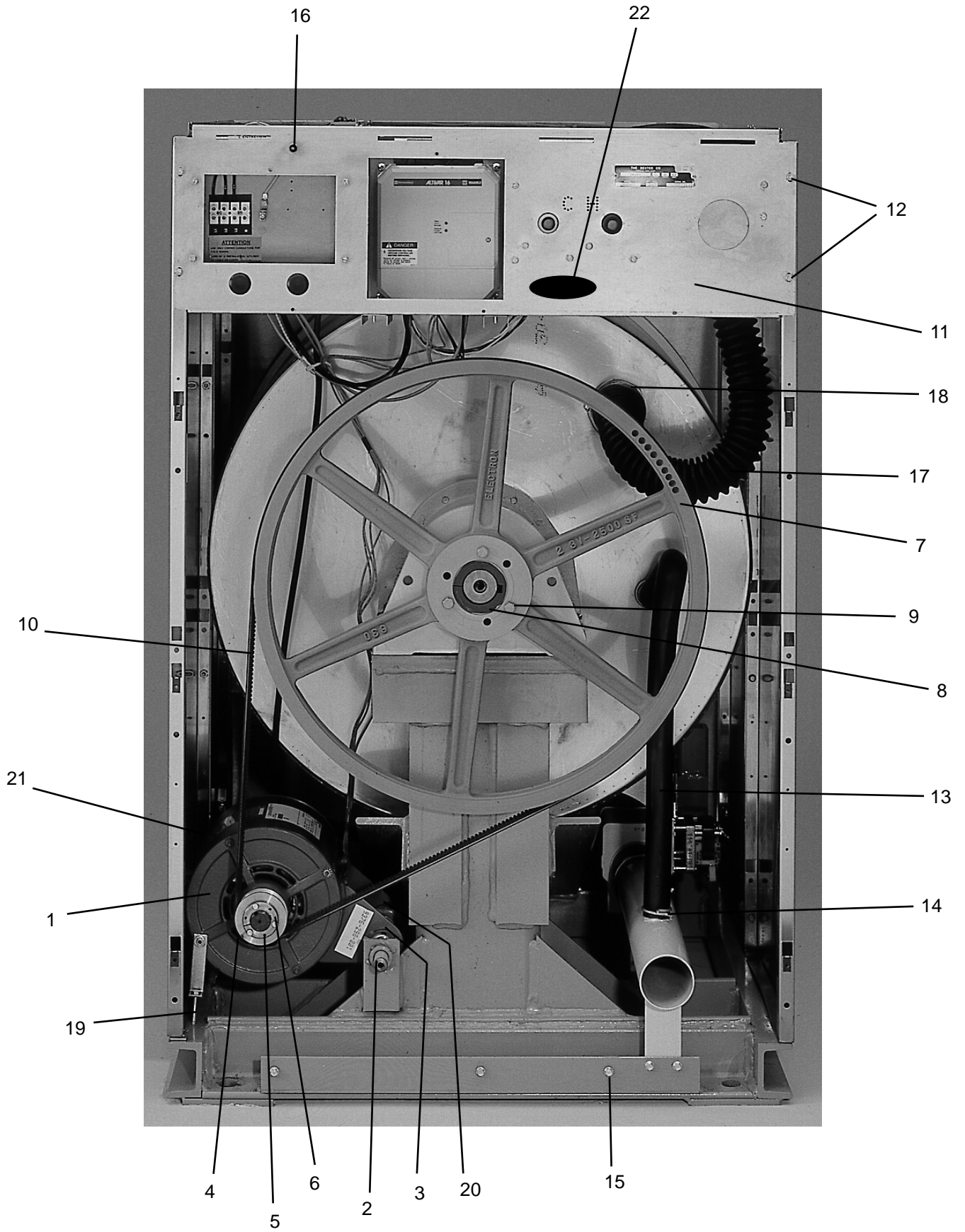


# REAR VIEW

Key	Part Number	Description	
1	9376-298-001	Drive Motor .....	1
2	9497-222-004	Rod, Motor Mtg .....	1
*	9545-029-005	Screw (end of motor rod) .....	1
*	8641-582-014	Lockwasher (end of motor rod) .....	1
3	9076-052-002	Collar, Shaft (w/set screws).....	2
4	9453-175-002	Pulley, Motor .....	1
5	9053-077-001	Bushing, Split Taper.....	1
6	9545-018-021	Screw.....	3
7	9453-176-001	Pulley, Driven.....	1
8	9053-076-001	Bushing, Taper.....	1
9	9545-029-011	Screw.....	3
9	8641-582-003	Lockwasher .....	3
10	9040-079-002	Drive Belt ( double wide ) .....	1
11	9081-109-001	Channel, Rear .....	1
12	9545-008-005	Screw.....	4
*	8640-399-004	Nut, Spring.....	4
22	9242-449-004	Hose Vent Overflow.....	1
13	9242-449-003	Hose, Overflow .....	1
14	8654-029-000	Clamp, Hose .....	2
*	9989-455-001	Panel Assy., Back .....	1
15	9545-030-002	Screw, To Base .....	4
*	9545-008-026	Screw.....	14
*	8640-399-004	Nut, Spring.....	10
*	9242-175-003	Hose, Pressure Switch .....	1
*	8654-117-015	Clamp, Pressure Sw. Hose .....	1
16	5198-211-004	Circuit Breaker, 1.5 amp .....	1
17	9242-458-003	Hose, Vacuum Brkr. to Tub .....	1
18	8654-117-001	Clamp .....	2
Original Motor Tensioner (not pictured)			
*	9029-027-004	Strap, Motor Tension .....	1
*	8640-413-002	Nut, Strap to Motor .....	1
*	8641-581-006	Washer .....	1
*	9545-018-020	Screw 1/4x3.....	1
*	8640-414-003	Nut, Elastic Stop .....	1
Current Motor Tensioner (19 thru 21)			
19	9545-055-001	Bolt, Eye .....	1
20	9534-151-000	Spring, Belt Tension.....	1
21	9099-012-003	Chain, Spring Tension .....	1
*	9341-046-001	Link, Chain.....	1
*	8640-414-003	Nut, Stop .....	1
*	8640-413-002	Nut, Link to Motor .....	1
*	8641-581-006	Washer .....	1

\* Not Illustrated

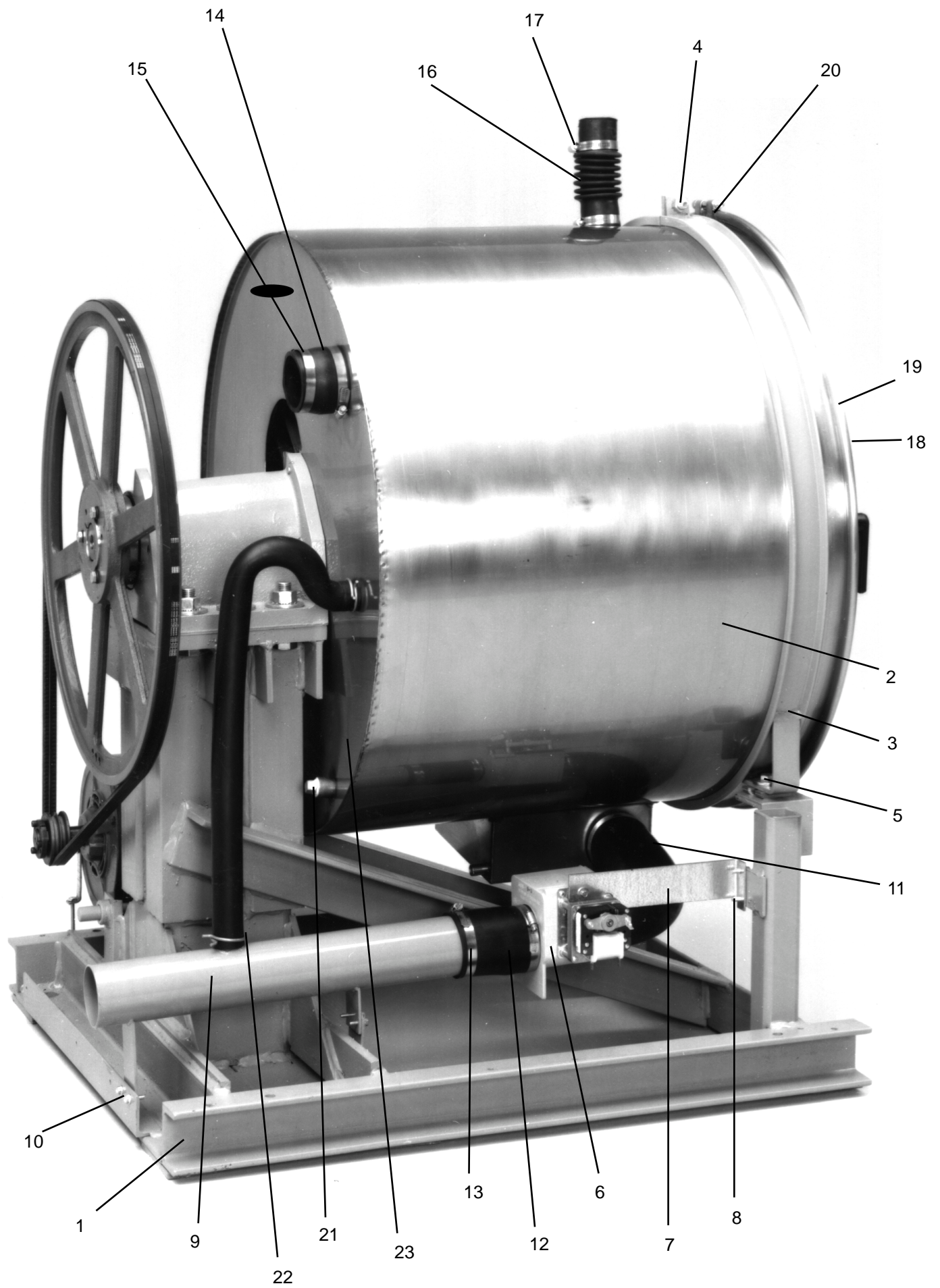




# CHASSIS AND DRAIN GROUP

Key	Part Number	Description	
1	9945-105-002	Base Assy, Frame .....	1
2	9930-138-001	Tub Assy .....	1
*	9869-009-001	Tub & Cylinder Assembly .....	1
3	9950-053-002	Ring Assy, Tub Mtg-Front .....	1
4	9545-017-013	Screw, 1/2" grade 5 .....	1
4	8640-417-002	Nut.....	1
4	8641-582-016	Lockwasher .....	1
5	9545-017-013	Bolt,. 1/2 Grd 5.Tub to Base .....	2
5	8641-582-016	Lockwasher .....	4
5	8640-417-002	Nut, Hex .....	8
5	8641-581-026	Washer, Flat .....	
5	9552-013-001	Shim, Thin .....	AR
5	9552-013-002	Shim, Thick .....	AR
6	9379-187-001	Valve, Drain.....	1
7	9029-070-001	Bracket, Drain Valve .....	1
*	9545-048-001	Screw, Valve to Bracket .....	1
*	8641-581-018	Washer .....	1
8	9545-030-002	Screw, Bracket to Base.....	2
9	9915-120-002	Tube Assy, Drain .....	1
10	9545-030-002	Screw, Tube Mtg .....	4
11	9242-459-001	Hose, Tub to Drain Valve .....	1
12	9242-457-001	Hose, Drain Valve to Tube .....	1
13	8654-117-014	Clamp, Hose .....	4
14	9242-450-001	Hose, Vacuum Brkr. to Tub .....	1
*	9610-001-001	Vacuum Breaker .....	1
*	9029-069-001	Bracket, Vacuum Breaker .....	1
*	9545-008-005	Screw .....	4
15	8654-117-001	Clamp .....	2
*	9732-108-002	Dispenser, .....	1
*	9206-416-001	Gasket, Dispenser.....	1
16	9242-450-001	Hose, Dispenser to Tub .....	1
17	8654-117-008	Clamp, Dispenser Hose .....	2
*	9475-002-002	Flow Restrictors .....	2
18	9974-007-001	Front Ass'y, Tub.....	1
19	9950-055-001	Ring Ass'y, Clamp (tub front to outer tub) .....	1
20	9545-029-009	Screw, 3/8 .....	1
20	8640-415-001	Nut, Hex 3/8 .....	1
*	9206-421-002	Gasket, Tub Front .....	1
21	8615-104-039	Pipe Plug.....	2
22	9242-449-003	Hose, Overflow .....	1
23	8654-029-000	Clamp, Hose .....	2
*	9242-463-004	Overflow hose (suds top) .....	1

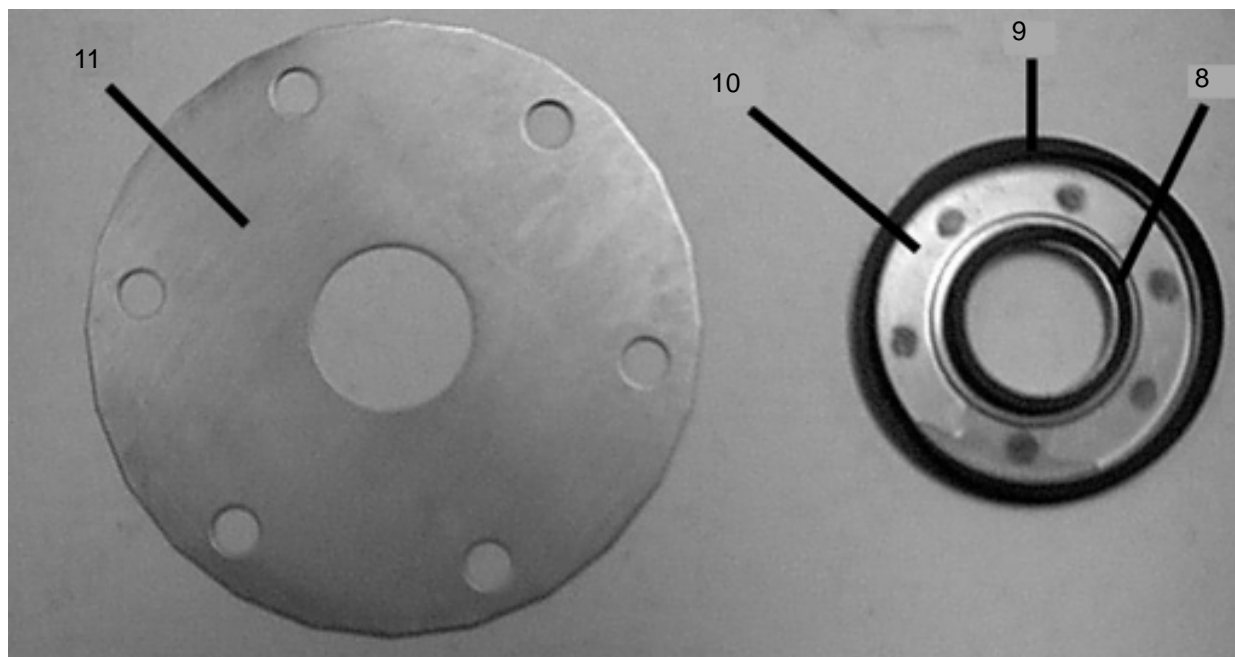
\* Not Illustrated



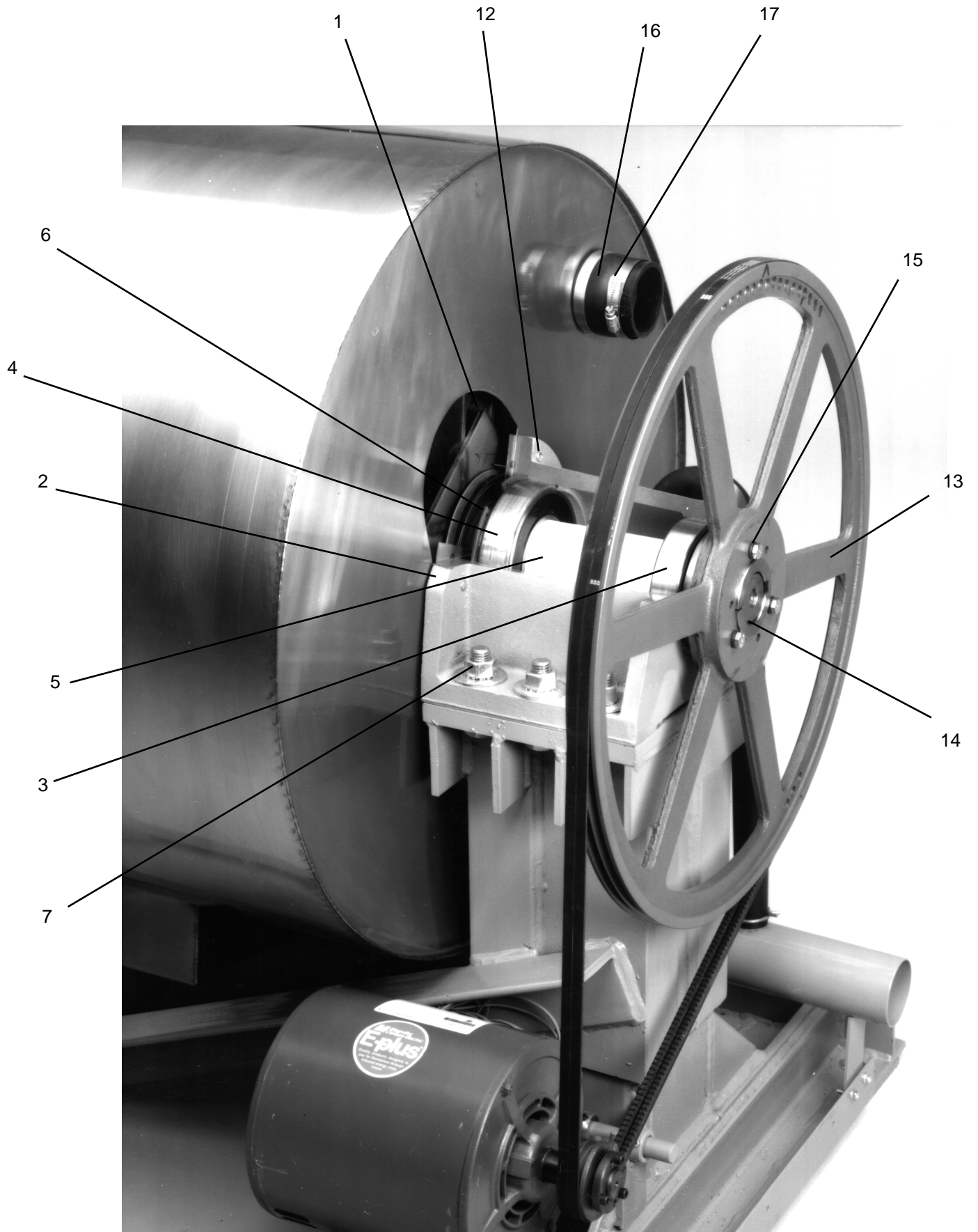
# CYLINDER, WATER SEALS & BEARING HOUSING GROUP

Key	Part Number	Description	
1	9848-116-000	Cylinder, Assy .....	1
*	9456-041-006	Plug , Cylinder ( inside ).....	1
*	9803-187-001	Housing, Bearing- Assembly (includes items #2-#6) .....	1
2	9241-181-004	Housing, Bearing.....	1
3	9036-159-006	Bearing, Rear .....	1
4	9036-159-005	Bearing, Front .....	1
5	9538-170-001	Spacer, Bearing.....	1
6	9487-238-004	Ring-Retainer, Internal .....	1
7	9545-057-002	Screw, Bearing Housing to Frame, 3/4 .....	6
7	8641-581-033	Washer, Flat- To Frame .....	6
7	8641-582-020	Washer, External Tooth .....	6
7	8640-418-003	Nut.....	6
8	9532-140-008	Seal, Secondary .....	1
9	9532-140-007	Seal, Primary.....	1
10	9950-052-001	Ring, Seal Mtg.....	1
11	9950-054-004	Ring, Seal Tub Back .....	1
12	9545-059-004	Screw, 7/16 Tub Back to Bearing Housing .....	6
12	8641-581-034	Washer, Flat .....	6
13	9453-176-005	Pulley, Driven .....	1
14	9053-078-002	Bushing, Taper .....	1
15	9545-029-011	Screw .....	3
15	8641-582-003	Lockwasher .....	3
16	9242-450-001	Hose, Vacuum Brkr. to Tub .....	1
17	8654-117-001	Clamp .....	2

\* Not Illustrated



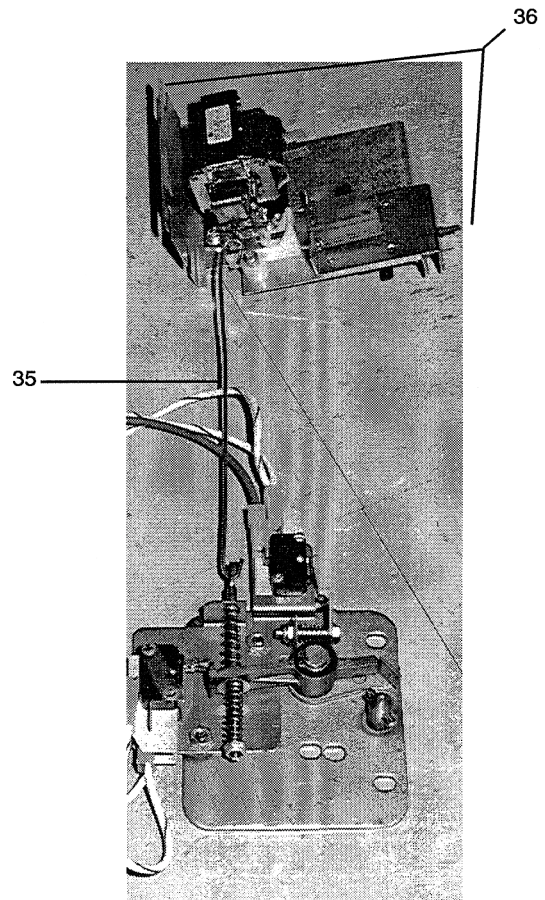
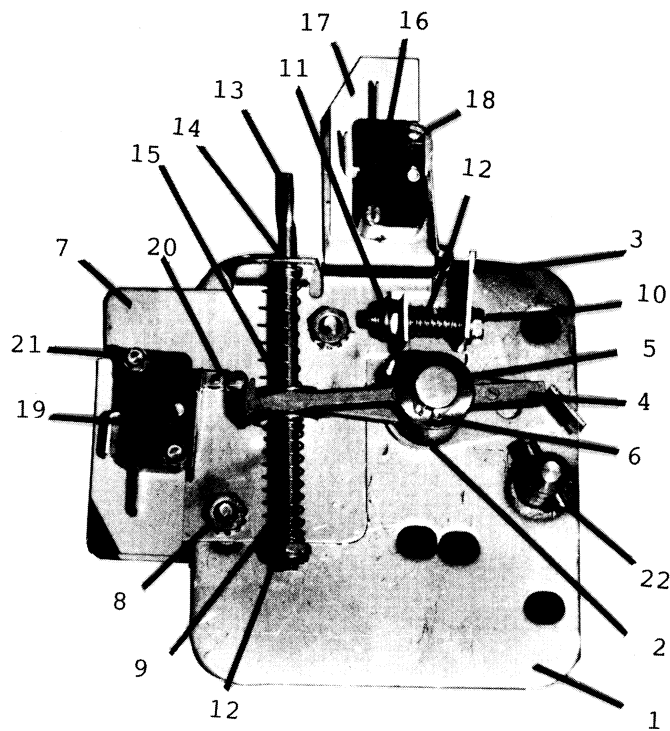
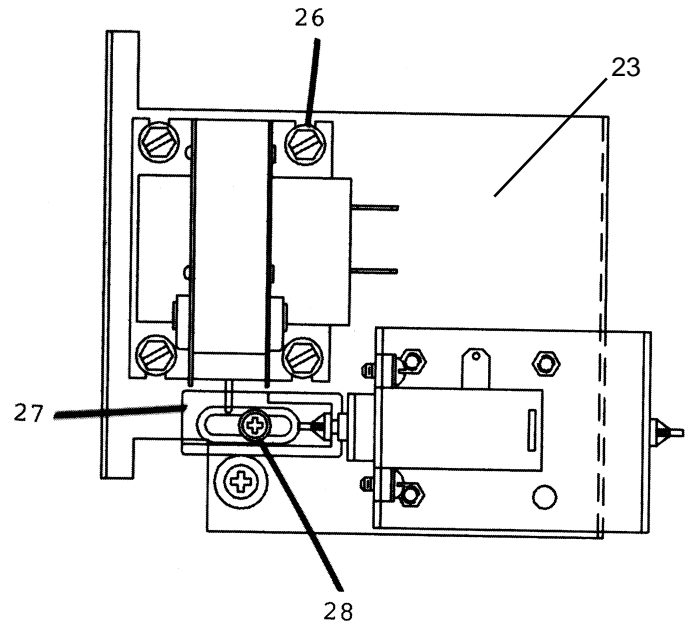
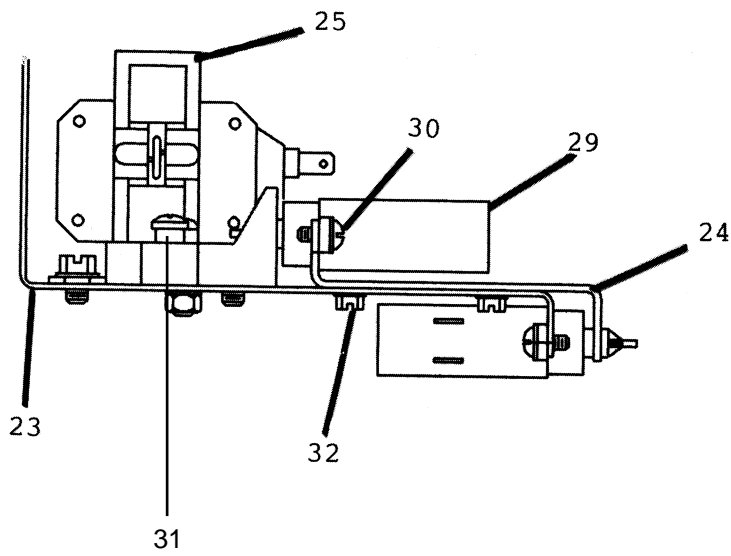




# DOOR LOCK GROUP

Key	Part Number	Description	
*	9885-023-001	Lock Assy, Complete .....	1
1	9982-284-001	Plate Assy, Door Lock .....	1
2	8641-581-030	Washer, Flat .....	1
3	9008-005-001	Actuator, Latching Switch .....	1
4	9450-002-002	Pawl, Locking .....	1
5	8641-569-003	Washer, Spring .....	1
6	9487-200-004	Ring, Retaining .....	1
7	9029-035-001	Bracket, Switch.....	1
8	8640-413-002	Nut, Hex .....	2
9	9534-364-002	Spring, Actuating .....	1
10	9545-012-020	Screw, Hx .....	1
11	8640-413-004	Nut, Elastic Stop.....	2
12	9534-364-001	Spring, Return .....	2
13	9451-193-001	Pin, Guide.....	1
14	9487-200-005	Ring, Retaining.....	1
15	8641-581-031	Washer .....	2
16	9539-461-008	Switch, Latching Sensing .....	1
17	9550-169-003	Shield, Switch.....	3
18	9545-020-001	Screw .....	2
18	8640-401-001	Nut, Twin.....	2
19	9539-461-007	Switch, Locking Sensing .....	2
20	9008-006-002	Actuator, Switch .....	2
21	9545-020-003	Screw .....	2
21	8640-401-001	Nut, Twin.....	1
22	9451-181-004	Pin, Dowel .....	1
*	9552-037-001	Shim, Door Lock, Thin.....	AR
*	9552-037-002	Shim, Door Lock, Thick .....	AR
*	9545-018-014	Screw, Lock mtg.....	3
*	8641-582-007	Lockwasher .....	3
36	9922-011-001	Solenoid Ass'y, Door Locking .....	1
23	9029-073-001	Bracket, Solenoid .....	1
24	9985-169-001	Bracket Assy, Solenoid Slide .....	1
25	9536-074-001	Solenoid .....	1
26	9545-008-001	Screw, Solenoid Mtg.....	4
27	9540-033-002	Stop, Door Lock Solenoid .....	1
28	9545-061-001	Screw, Shoulder .....	1
28	8640-411-003	Nut, Keps #6.....	1
29	9586-001-001	Thermoactuator .....	2
30	9545-031-004	Screw .....	4
31	9538-157-004	Spacer, Plastic .....	1
31	9538-166-004	Spacer, Metal .....	1
31	9545-010-001	Screw, Cross Recessed .....	1
31	8640-412-005	Nut, Keps #8.....	1
32	9545-044-003	Screw, Hw #6 .....	3
*	8640-412-005	Nut, Sol. Brkt to Control Panel .....	3
35	9497-225-007	Rod, Pull- Solenoid to Lock .....	1

\* Not Illustrated

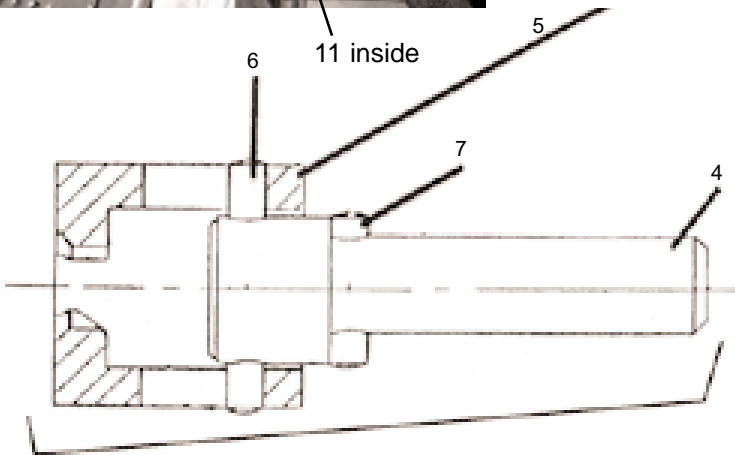
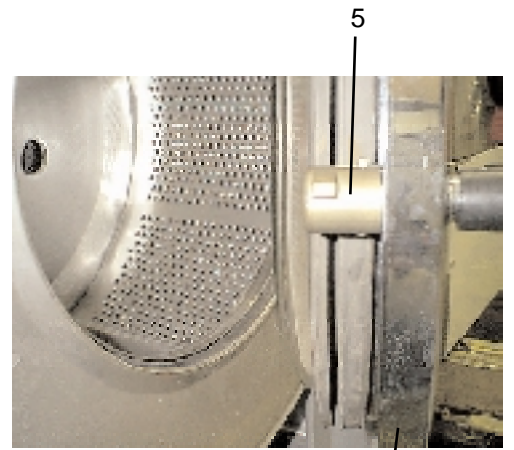
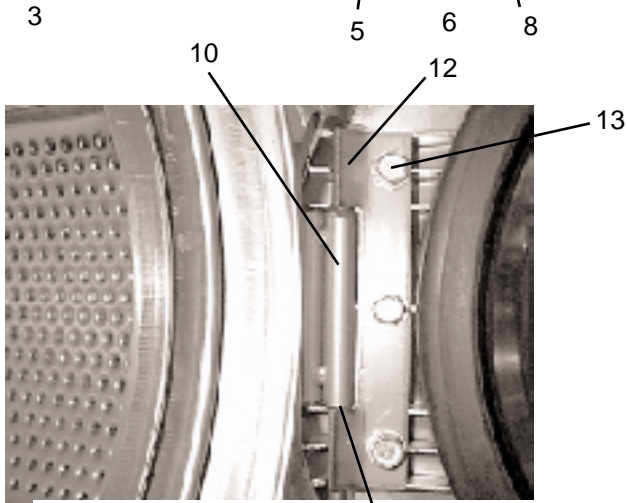
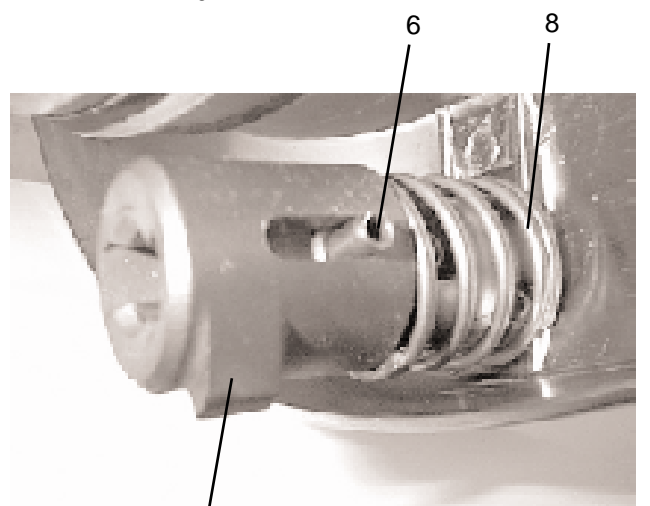
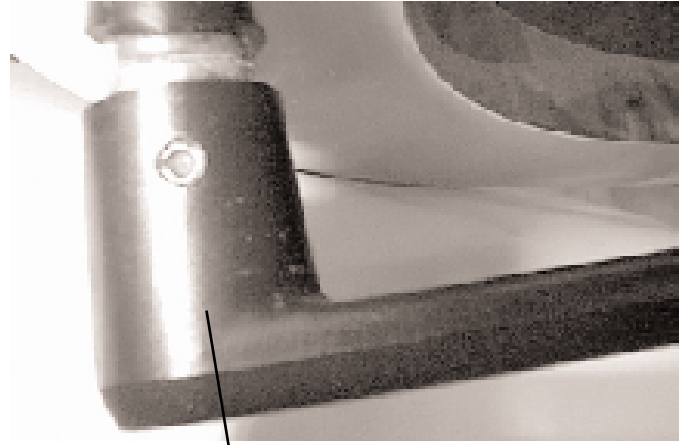
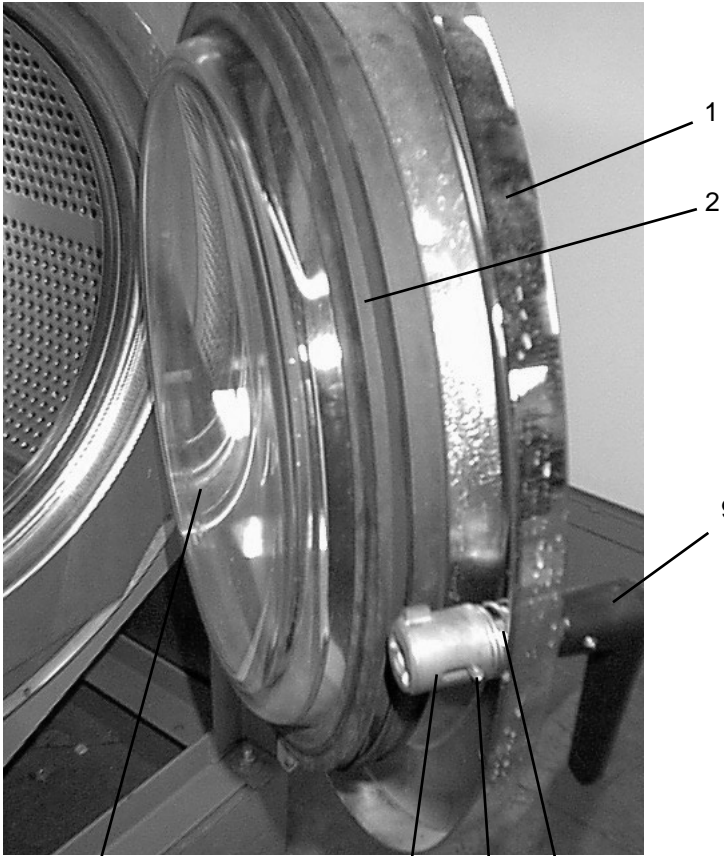


## LOADING DOOR GROUP

Key	Part Number	Description
*	9960-274-002	Loading Door, Complete (includes 1 thru 9) .....1
1	9487-265-001	Loading Door, Ring .....1
2	9206-419-001	Gasket, Loading Door .....1
3	9635-016-001	Window, Loading Door .....1
*	9913-134-003	Shaft Assy, Locking includes (4 thru 7) .....1
4	9537-195-002	Shaft, Door Locking .....1
5	9095-040-001	Cam, Locking .....1
6	9451-181-005	Pin, Groove (1 1/4).....1
7	9451-181-004	Pin, Groove (3/4) .....1
8	9534-360-002	Spring, Lock Cam.....1
9	9244-080-003	Handle, Door .....1
*	9451-181-006	Pin, Door Handle (groove) .....1
10	9955-029-002	Hinge Assy, Loading Door .....1
*	9545-014-009	Screw, Hinge Mtg .....3
*	8641-582-009	Lockwasher .....3
*	9552-036-001	Shim, Loading Door Hinge, Thin .....AR
*	9552-036-002	Shim, Loading Door Hinge, Thick .....AR
11	9451-184-004	Pin, Loading Door Hinge .....1
*	8649-031-000	Ring, Retaining.....1
12	9079-122-002	Clamp, Loading Door Hinge Pin .....1
13	9545-056-001	Screw, Loading Door Mtg.....3
14	9487-254-001	Ring, Masking .....1
*	9059-063-002	Band, Edge .....1
*	8640-413-002	Nut, Keps .....4

\* Not Illustrated

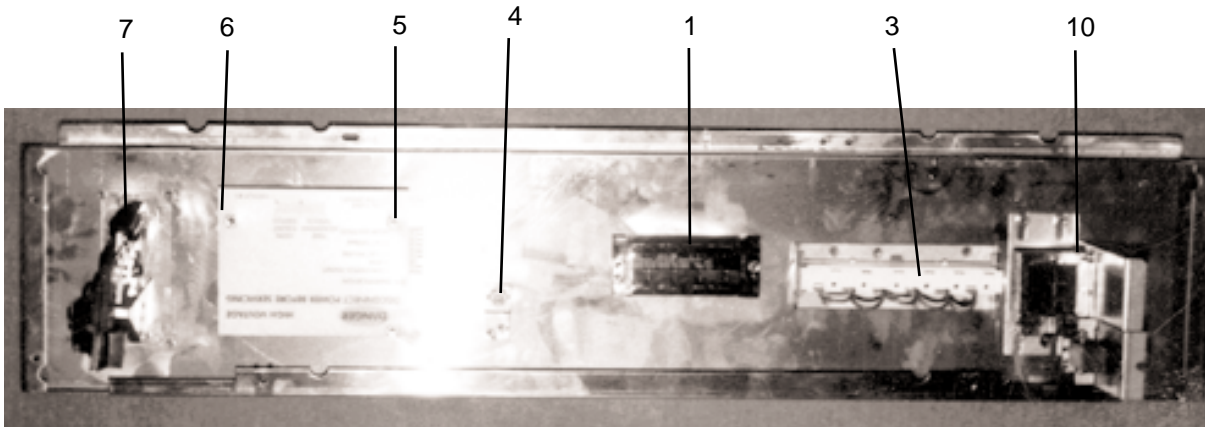




# CONTROL PANEL GROUP

Key	Part Number	Description	
1	9539-479-009	Switch, Push-button (cycle selector) .....	1
2	8502-629-011	Label, Switch (two piece control panel only) .....	1
*	9538-165-001	Spacer .....	2
*	8640-412-003	Nut, Switch Mtg .....	2
3	3310-041-001	Light, Cycle Control .....	1
*	9206-100-001	Gasket, Light .....	2
4	3310-042-001	Light, Bleach .....	1
5	9020-004-002	Accumulator, Coin .....	1
5	9020-005-001	Accumulator, Coin with Time Remaining .....	1
*	9627-682-001	Wiring Harness, Accumulator .....	1
*	9538-157-003	Spacer .....	3
6	9550-171-001	Shield, Circuit Board.....	1
6	9550-174-001	Shield, Circuit Board with Time Remaining .....	1
*	9538-157-005	Spacer, with Time Remaining.....	3
*	8640-412-005	Nut, Hex .....	6
7	9021-001-010	Acceptor, Coin 25cents (See Coin Handling Group) .....	1
8	9732-122-001	Kit, Coin Box W/Hardware .....	1
9	9412-094-002	Nameplate, Control Panel (one piece) .....	1
9	9412-094-001	Nameplate, Control Panel (two piece) .....	1
10	9922-011-001	Solenoid Ass'y, Door Locking (See Door Lock Group).....	1

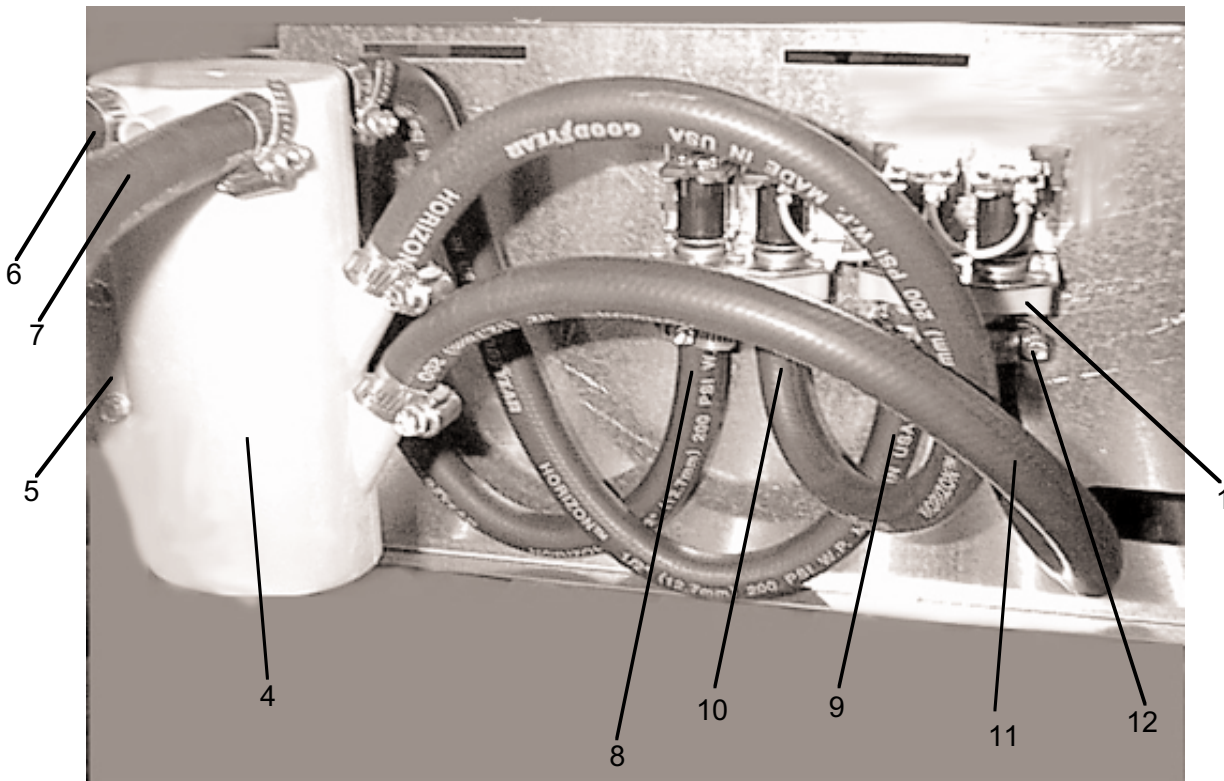
\* Not Illustrated



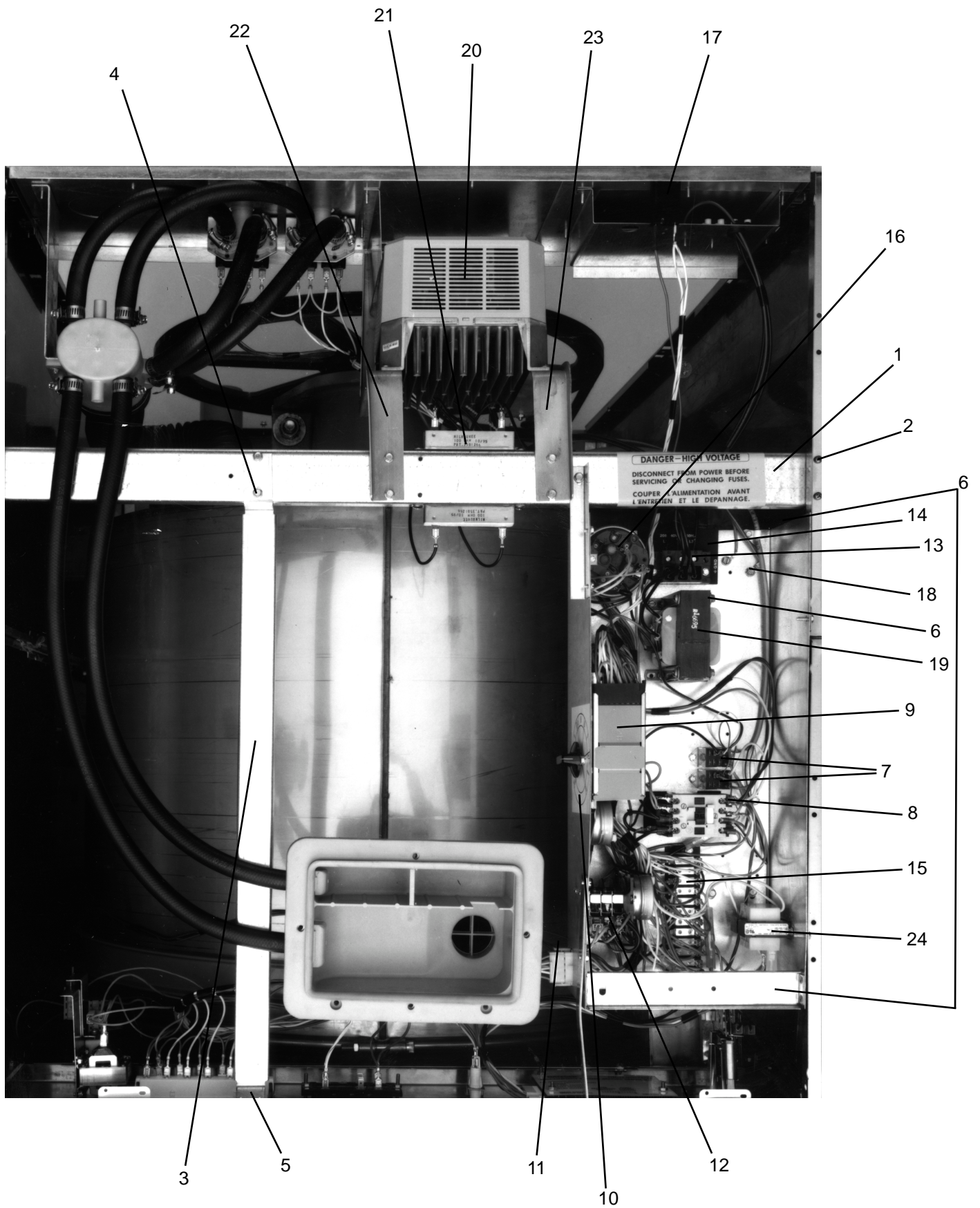
# WATER INLET GROUP

Key	Part Number	Description	
1	9379-183-003	Valve, Water Inlet .....	2
		(see Water Inlet Valve Breakdown for individual parts)	
*	9545-008-026	Screw, Valve Mtg.....	4
*	8640-399-009	Nut, Spring .....	4
*	9208-049-001	Guard, Water Valve .....	1
*	9545-008-026	Screw .....	2
4	9610-001-001	Vacuum Breaker .....	1
*	9029-069-001	Bracket, Vacuum Breaker .....	1
5	9545-008-026	Screw .....	4
*	9242-458-003	Hose, Vacuum Breaker to Tub-Ribbed .....	1
*	8654-117-014	Clamp, Vac Brkr End.....	1
*	8654-117-009	Clamp, Tub End .....	1
6	9242-453-018	Hose, Vac. Brkr. to Wash Dis .....	1
7	9242-453-019	Hose, Vac. Brkr. to Rinse Dis .....	1
8	9242-453-015	Hose, Hot Valve to Vac. Brkr.....	1
9	9242-453-007	Hose, Cold Valve to Vac. Brkr.....	1
10	9242-453-015	Hose, Hot Valve to Tub .....	1
11	9242-453-007	Hose, Cold to Tub .....	1
12	8654-117-015	Clamp, Hose-Worm.....	12
*	5198-211-004	Circuit Breaker.....	1

\* Not Illustrated







# ELECTRICAL COMPONENTS TOP COMPARTMENT

Key	Part Number	Description	
1	9081-110-001	Channel, Trough Mtg.....	1
2	9545-008-023	Screws.....	2
3	9081-108-001	Channel, Dispenser Support.....	1
4	9545-008-026	Screw .....	2
5	9545-008-001	Screw, To Cntrl Panel .....	2
6	9839-013-001	Trough Assy, Controls Mtg .....	1
*	9545-008-005	Screw .....	4
7	5192-285-001	Relay, Run & Extract.....	2
8	5192-295-004	Relay, Spin .....	1
9	9571-362-001	Timer, Program .....	1
		(VERIFY PART NUMBER ON TIMER BODY)	
*	9376-295-002	Motor, Timer Main Drive .....	1
*	9376-286-004	Motor, Timer Rapid Advance.....	1
*	9545-012-001	Screw, Timer Mtg .....	2
10	9107-068-001	Dial, Timer .....	1
11	9307-176-001	Knob, Timer (w/set screws).....	1
*	9538-157-006	Spacer, Knob.....	1
12	9571-360-001	Timer, Reversing .....	1
*	9545-044-004	Screw, Reversing Timer .....	2
13	9897-033-002	Terminal Block, 3 Position Power Connection .....	1
14	9558-025-001	Strip, Terminal Marker .....	1
*	9545-031-010	Screw, Mtg .....	2
15	9897-029-001	Terminal Block Assy, 12 Position .....	1
*	9558-021-001	Strip, Terminal Marker .....	1
*	9545-045-007	Screw, Mtg .....	2
16	9539-488-001	Switch, Pressure .....	1
*	9545-031-003	Screw .....	1
*	9029-071-001	Bracket, Pressure Switch .....	1
*	9545-045-001	Screw, Mtg .....	2
17	5198-211-004	Circuit Breaker, 1.5 amp .....	1
18	8652-134-001	Lug, Grounding .....	1
*	8639-621-007	Screw, Mtg .....	1
*	8641-582-006	Lockwasher .....	1
19	8711-004-001	Transformer, Control .....	1
*	9545-008-026	Screw .....	1
*	8641-582-006	Lockwasher .....	1
20	9375-003-003	Drive, VF-100G DELTA BRAND.....	1
21	9483-004-003	Resistor, Braking 160 OHM .....	2
*	9545-012-003	Screw .....	4
*	8640-413-002	Nut.....	4
22	9029-115-001	Bracket, Drive Mtg for DELTA .....	1
*		Bracket	
*	9545-008-026	Screw .....	6
24	8711-003-001	Transformer, 12VAC for Coin Accumulator .....	1
*	9545-003-001	Screw, Transformer Mtg .....	2

\* Not Illustrated

# COIN HANDLING GROUP

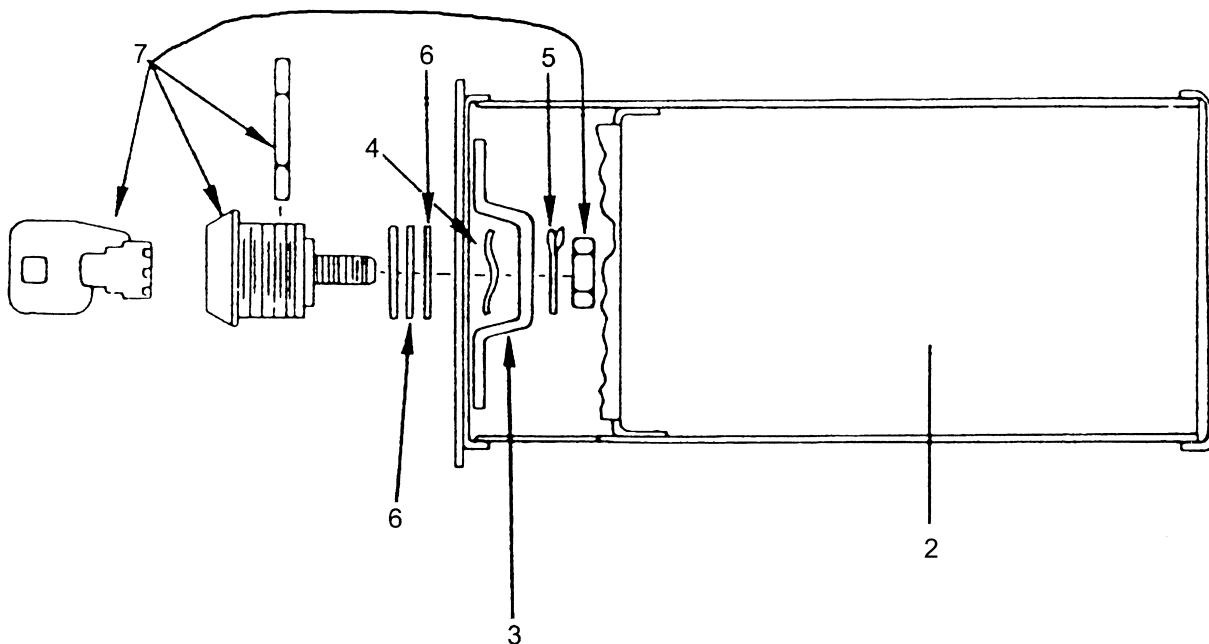
Key	Part Number	Description	
1	9942-026-006	Vault, Assy .....	1
*	9545-008-026	Screw, Vault Mtg .....	4

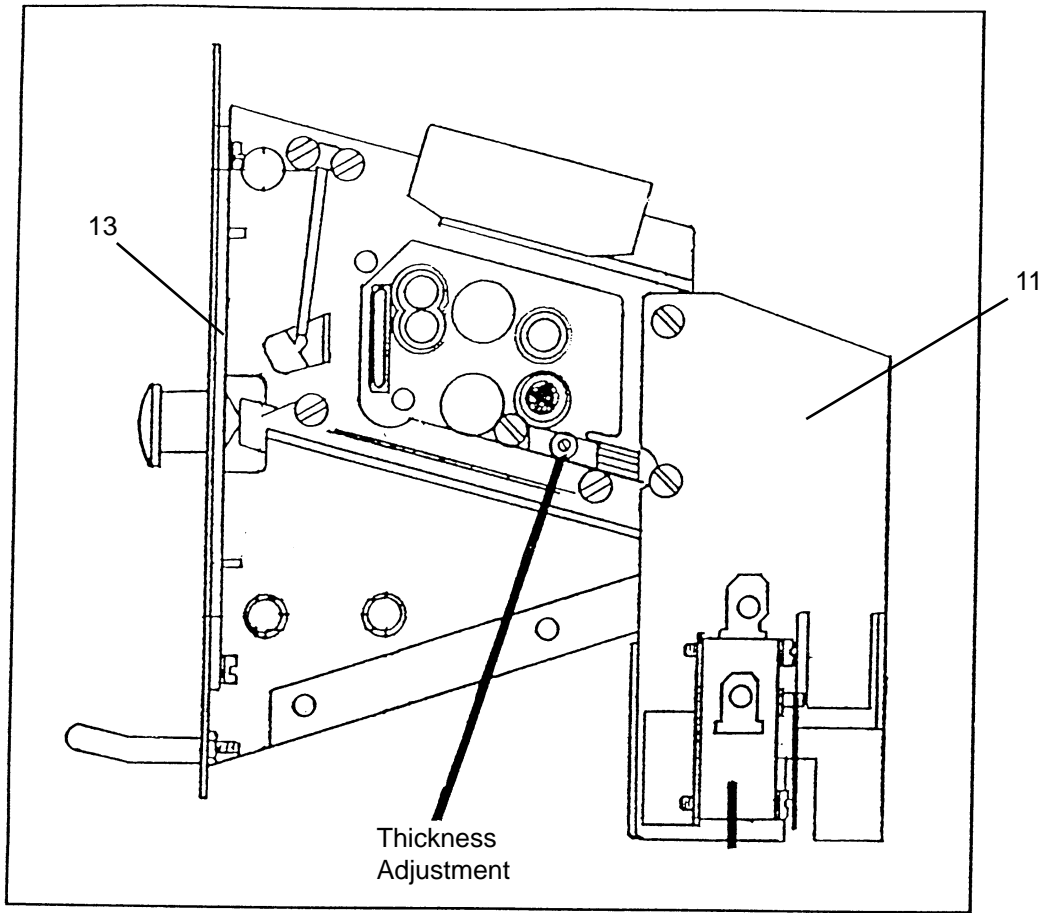
**NOTE: COIN BOX AND HARDWARE KIT AND COIN BOX LOCK NOT INCLUDED WITH MACHINE.**

2	9732-122-001	Kit, Coin Box W/Hardware(key not included with 9732-122-001) .....	1
3	9349-033-001	Latch, Coin Box .....	1
4	8641-569-002	Washer, Wave .....	1
5	8641-583-001	Washer, Keeper .....	1
6	8641-581-008	Washer, Spacer- Thick .....	2
6	8641-581-010	Washer, Spacer- Thin .....	4
Lock, Key, Nuts for Coin Box			
7	8650-012-002	Lock, Coin Box (key not included with #9732-122-001) .....	1
*	9940-014-004	Chute Assy., Coin to Vault .....	1
*	9545-008-001	Screw, Chute Mtg .....	1
9	9021-001-010	Acceptor, Coin .....	1
*	9545-020-004	Screw, Acceptor Mtg .....	4
*	8640-424-002	Nut .....	4
10	9732-126-001	Switch, Coin.....	1
11	9119-025-002	Acceptor Chute Assembly without penny reject(standard) .....	1
12	9119-025-001	Acceptor Chute Assembly with penny rejecter (optional) .....	1
13	9486-133-001	Button Coin Return Retainer .....	1

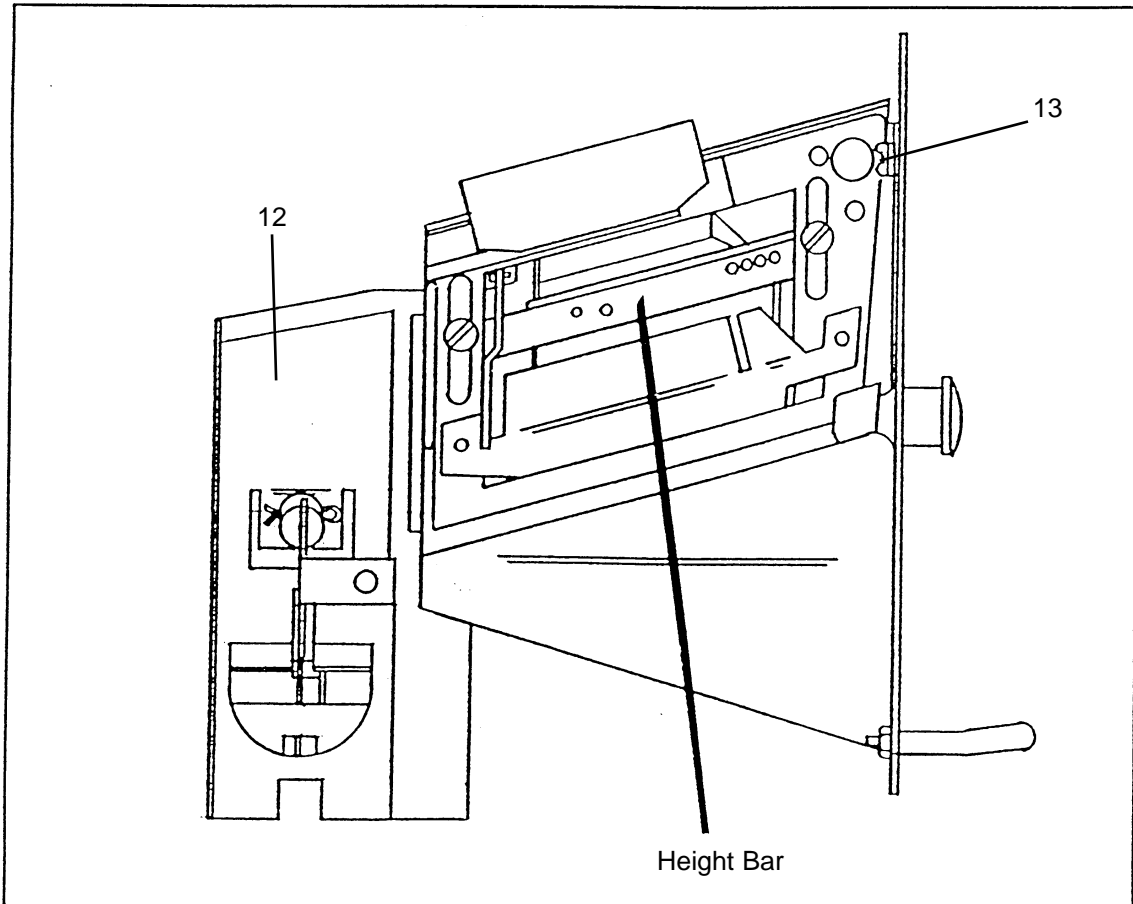
\* Not Illustrated

## COIN ACCEPTOR FROM MANUAL





**COIN ACCEPTOR - right side**

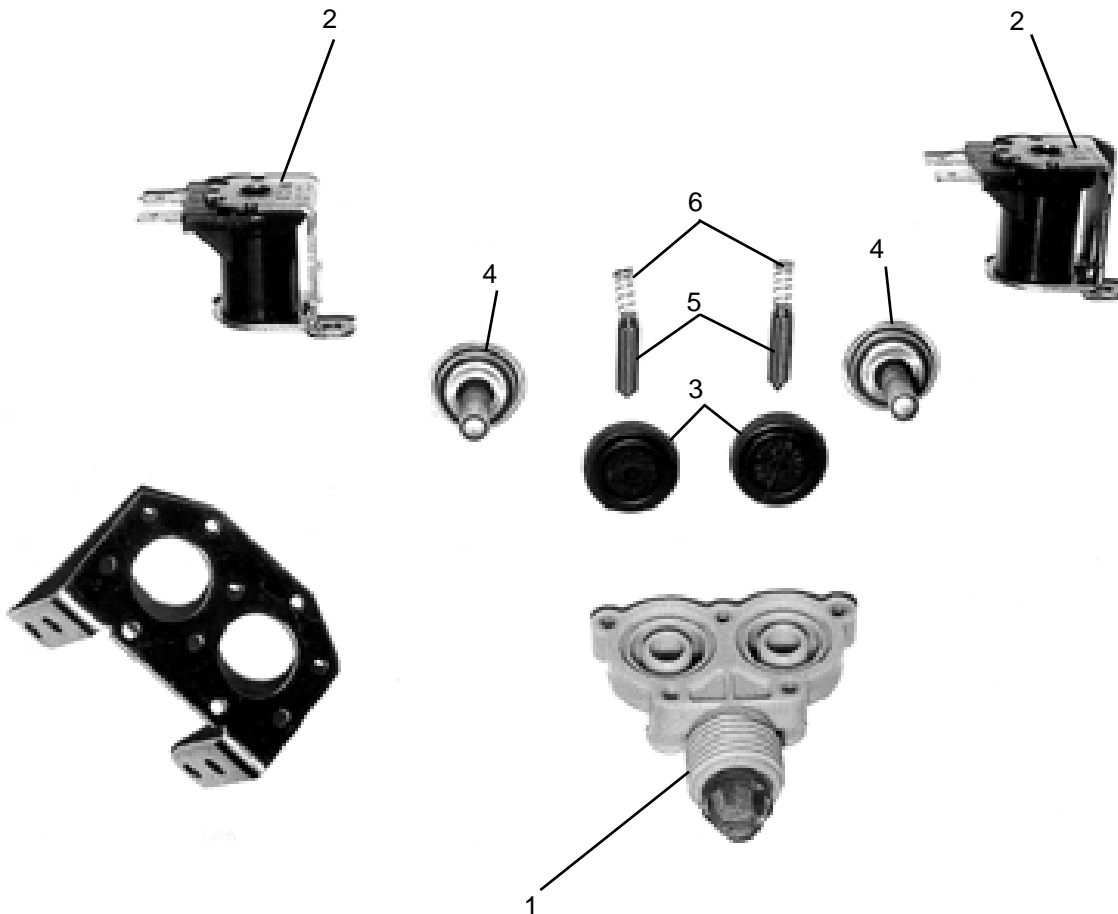


**COIN ACCEPTOR - left side**

# WATER INLET VALVE BREAKDOWN

Key	Part Number	Description	
	9379-183-003	Valve, Water Inlet Blue (includes #1 thru #6)	2
1	9555-056-001	Screen, Inlet	2
2	9089-017-001	Coil Assy., 120 V	2
3	9118-049-001	Diaphragm	2
*	9118-049-002	Diaphragm (chemical resistant optional)	
4	9211-021-002	Guide, Solenoid	2
5	9015-008-001	Armature	2
6	9534-298-001	Spring, Armature	2
*	9545-008-026	Screw, Valve Mtg	2

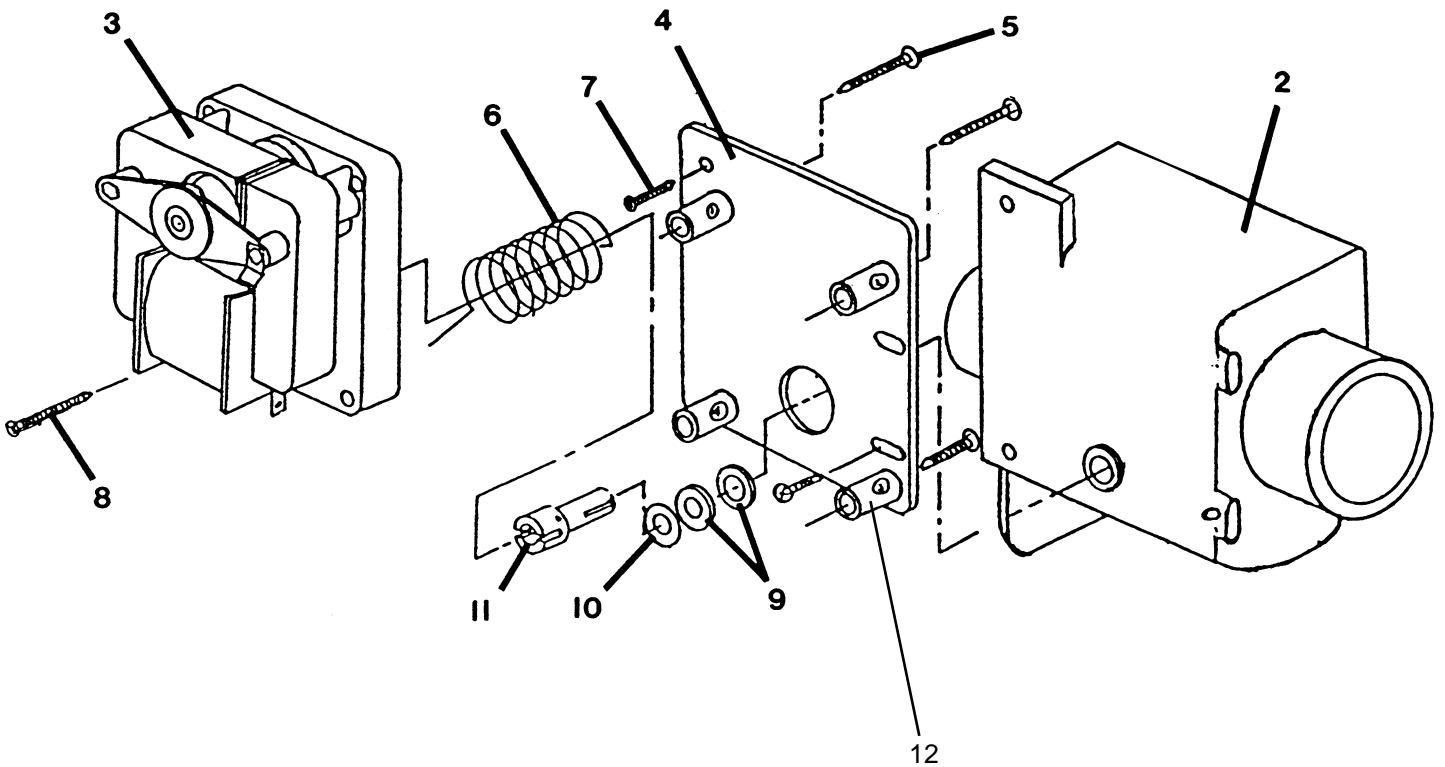
\* Not Illustrated





# DRAIN VALVE GROUP

Key	Part Number	Description	
1	9379-187-001	Valve, Drain .....	1
2	9064-070-001	Body, Valve (w/ball) .....	1
3	9914-137-001	Motor & Gear Train .....	1
4	9452-538-001	Plate, Motor Mtg .....	1
5	8639-994-001	Screw .....	3
6	9534-339-001	Spring, Drive .....	1
7	9545-054-001	Screw .....	2
8	9545-054-002	Screw .....	1
9	9532-134-001	Seal, V Packer .....	2
10	8641-584-001	Washer .....	1
11	9451-196-001	Pin, Main Drive .....	1
12	9538-149-001	Plate , ( spacers needed for replacement motor mtg. plate) .....	4



# TERMINAL BLOCKS

<b>Key</b>	<b>Part Number</b>	<b>Description</b>	
*	9897-029-001	Terminal Block, 12 Position .....	1
*	9558-021-001	Terminal Marker Strip .....	1
*	9545-045-007	Screw .....	2
*	9897-028-001	Terminal Block, 3 Position .....	1
*	9558-022-001	Terminal Marker Strip .....	1
*	9545-045-007	Screw .....	2
*	9897-033-001	Terminal Block, 4 Position .....	1
*	9558-025-001	Terminal Marker Strip .....	1
*	9545-031-010	Screw .....	2
*	8652-134-001	Terminal Lug, Ground.....	1
*	8639-621-007	Screw .....	1
*	8641-582-006	Lockwasher .....	1
*	8652-130-037	Terminal, Grounding.....	1
*	8639-621-007	Screw .....	1
*	9544-041-002	Lockwasher .....	1

# LABELS

*	8502-624-002	Label, Warning Door Opening .....	1
*	8502-614-004	Label, High Voltage .....	1
*	8502-639-001	Label, Warning- Copper Wiring .....	1
*	8502-649-002	Label, Connections- Electrical .....	1
*	8502-619-004	Label, Fusing & Installation .....	1

# WIRING HARNESS GROUP

<b>Key</b>	<b>Part Number</b>	<b>Description</b>	
*	9627-747-001	Wiring Harness, Power Term Blk .....	1
*	9627-710-001	Wiring Harness, VF Power Drive .....	1
*	9627-695-001	Wiring Harness, Main.....	1
*	9627-689-001	Wiring Harness, Control.....	1
*	9627-693-001	Wiring Harness, VF Control Shield .....	1
*	9627-683-001	Wiring Harness, Drain Valve .....	1
*	9627-708-001	Wiring Harness, Countdown .....	1
*	8654-125-005	Clamp, Cable- 1/4 Dia .....	2

\* Not Illustrated