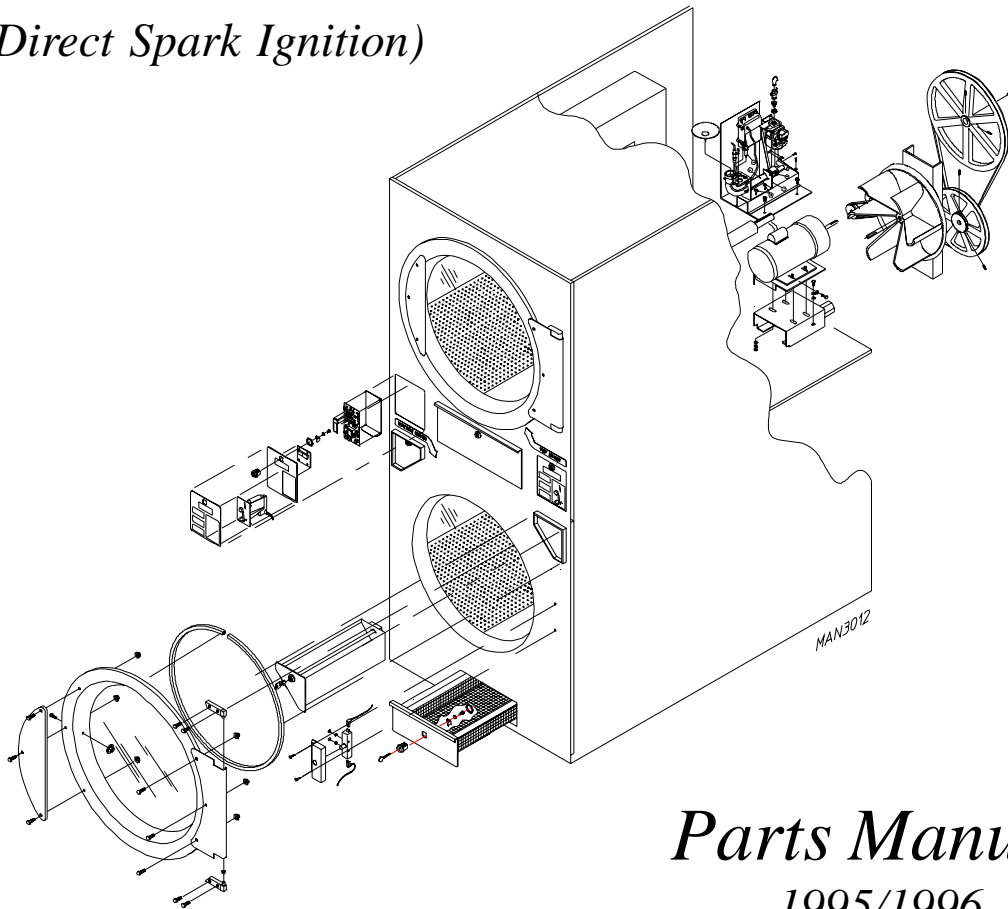




***ADG-530/WDA-530***  
*(Direct Spark Ignition)*



***Parts Manual***  
*1995/1996*

**American Dryer Corporation**  
88 Currant Road  
Fall River, MA 02720-4781  
Telephone: (508) 678-9000 / Fax: (508) 678-9447  
E-mail: techsupport@amdry.com  
www.amdry.com

## Retain This Manual In A Safe Place For Future Reference

American Dryer Corporation products embody advanced concepts in engineering, design, and safety. If this product is properly maintained, it will provide many years of safe, efficient, and trouble free operation.

*ONLY qualified technicians should service this equipment.*

**OBSERVE ALL SAFETY PRECAUTIONS** displayed on the equipment or specified in the installation manual included with the dryer.

The following “**FOR YOUR SAFETY**” caution **must be** posted near the dryer in a prominent location.

### FOR YOUR SAFETY

Do not store or use gasoline or other flammable vapors and liquids in the vicinity of this or any other appliance.

### POUR VOTRE SÉCURITÉ

Ne pas entreposer ni utiliser d'essence ni d'autres vapeurs ou liquides inflammables à proximité de cet appareil ou de tout autre appareil.

We have tried to make this manual as complete as possible and hope you will find it useful. **ADC** reserves the right to make changes from time to time, without notice or obligation, in prices, specifications, colors, and material, and to change or discontinue models.

## Important

For your convenience, log the following information:

**DATE OF PURCHASE** \_\_\_\_\_ **MODEL NO.** \_\_\_\_\_

**RESELLER'S NAME** \_\_\_\_\_

**Serial Number(s)** \_\_\_\_\_

\_\_\_\_\_

\_\_\_\_\_

Replacement parts can be obtained from your reseller or the **ADC** factory. When ordering replacement parts from the factory, you can FAX your order to **ADC** at (508) 678-9447 or telephone your order directly to the **ADC** Parts Department at (508) 678-9000. Please specify the dryer **model number** and **serial number** in addition to the **description** and **part number**, so that your order is processed accurately and promptly.

The illustrations on the following pages may not depict your particular dryer exactly. The illustrations are a composite of the various dryer models. Be sure to check the descriptions of the parts thoroughly before ordering.

### **“IMPORTANT NOTE TO PURCHASER”**

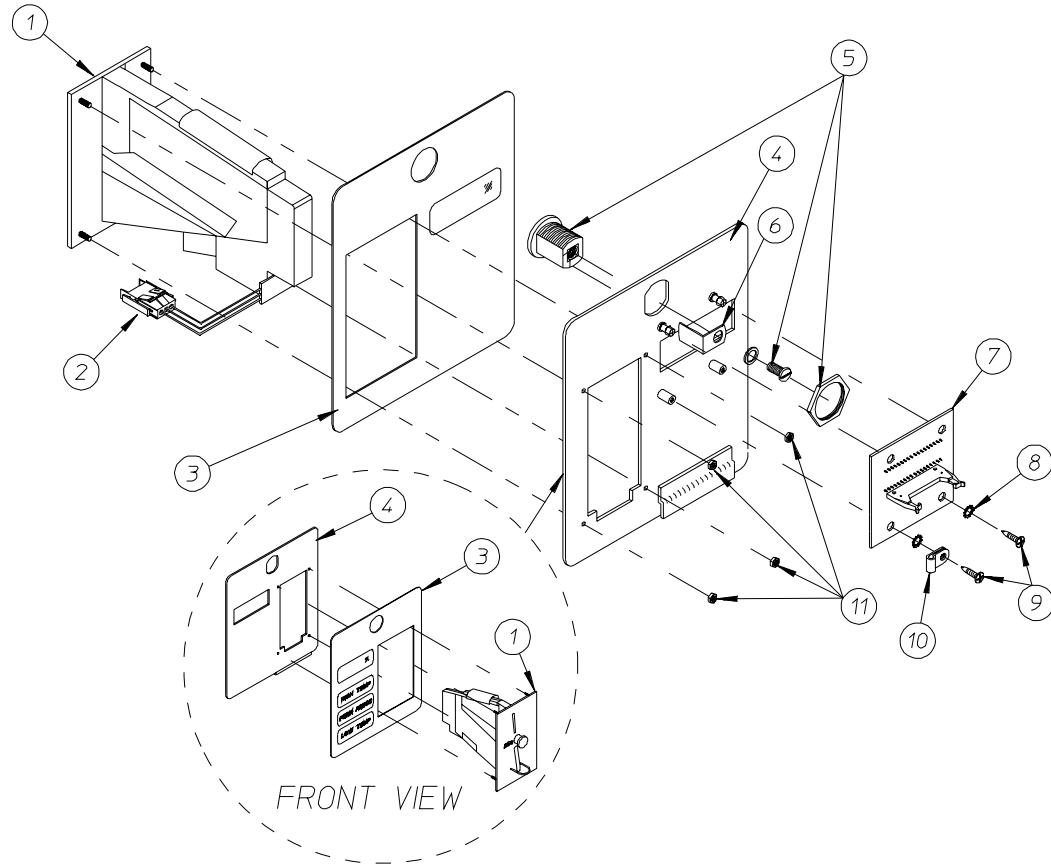
Information **must be** obtained from your local gas supplier on the instructions to be followed if the user smells gas. These instructions **must be** posted in a prominent location near the dryer.

# *Table of Contents*

Left Coin Panel Assembly	
For Models Mfd. as of July 1, 1995 .....	3
Right Coin Panel Assembly	
For Models Mfd. as of July 1, 1995 .....	4
Right/Left Coin Panel Assembly	
For Models Mfd. prior to July 1, 1995 .....	5
Right/Left Coin Panel Assembly	
For Models Mfd. prior to July 1, 1995 .....	6
Microprocessor 2-Piece (Computer) Panel/Coin Chute Assembly	
For Models Mfd. as of August 26, 1996 .....	7
Microprocessor 2-Piece (Computer) Panel/Coin Chute Assembly	
For Models Mfd. between February 21, 1996 and August 25, 1996 .....	8
Microprocessor 1-Piece (Computer) Panel Assembly	
For Models Mfd. between May 9, 1995 and February 20, 1996 .....	9
Microprocessor 2-Piece (Computer) Panel/Coin Chute Assembly	
For Models Mfd. prior to May 9, 1995 .....	10
Front Panel Assembly	
For Models Mfd. as of July 1, 1995 .....	11
Front Panel Assembly	
For Models Mfd. prior to July 1, 1995 .....	12
Main Door “Steel” Assembly	
For Models Mfd. as of July 1, 1995 .....	13
Main Door (Plastic) Assembly	
For Models Mfd. prior to July 1, 1995 .....	14
Main Door Switch Assembly	
For Models Mfd. as of July 1, 1995 .....	15
Main Door Switch Assembly	
For Models Mfd. prior to July 1, 1995 .....	16
Microprocessor Temperature Sensor Bracket Assembly .....	17
Lint Drawer/Basket Assembly II	
For Models Mfd. as of September 6, 1996 .....	18
Lint Drawer/Basket Assembly I	
For Models Mfd. prior to September 6, 1996 with “Roller” Type Lint Drawer Switch .....	19
Lint Drawer/Switch Assembly II	
For Models Mfd. as of September 6, 1996 .....	20

Lint Drawer/Switch Assembly I	
For Models Mfd. prior to September 6, 1996 with “Roller Type Switch” .....	21
Coin Box/Vault Assembly (Left and Right) .....	22
Sail Switch/Hi-Limit Assembly .....	23
Rear Electrical Panel Assembly	
For Models Mfd. as of July 1, 1995 .....	24, 25
Rear Electrical Panel Assembly	
For Models Mfd. prior to July 1, 1995 .....	26, 27
Basket (Tumbler)/Support Assembly .....	28, 29
Basket (Tumbler) Bearing Mount Assembly .....	30, 31
Burner Train Assembly .....	32, 33
Drive Motor Mount Assembly (60 Hz) .....	34, 35
Fan (Impellor)/Idler Bearing Assembly (60 Hz) .....	36, 37
Drive and Idler Belts/Pulleys (60 Hz) .....	38
Exhaust Duct Assembly .....	39
Rear Guard Assemblies .....	40
Additional Parts Available .....	41

For Models Mfd. as of July 1, 1995

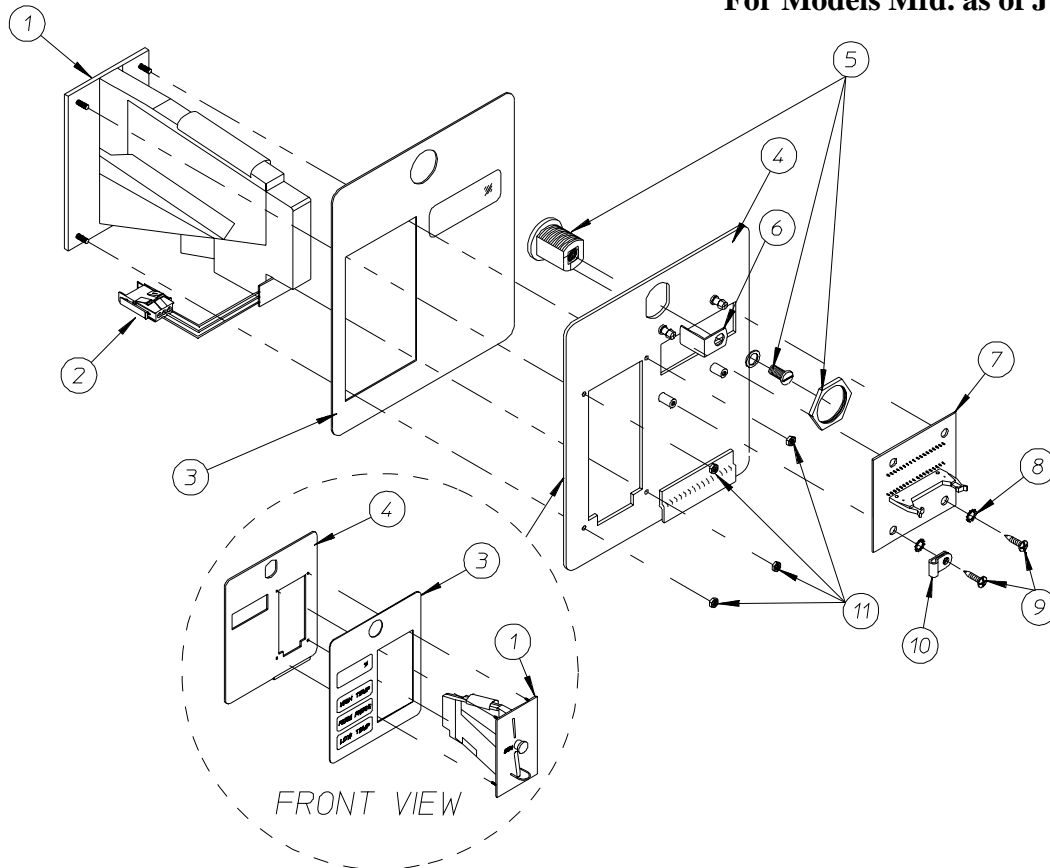


MAN2267

<u>Illus. No.</u>	<u>Part No.</u>	<u>Qty.</u>	<u>Description</u>
1	881163	1	25¢ U.S. Hanke Coin Acceptor with Optic Switch
	881450	1	25¢ Canadian Hanke Coin Acceptor with Optic Switch
	881451	1	0.880 Token Hanke Coin Acceptor with Optic Switch
2	881143	1	Hanke Optic Switch with Connector
3	112564	1	Blue Left Keyboard (touch pad)
4	881160	1	Coin Panel ONLY
	881161	1	Left Coin Panel with Label (includes illus. nos. 3, 4, 8, and 9)
5	160029	1	Lock (keyed NO530) ONLY with Key
	160129	1	NO530 Key ONLY (for models mfd. as of August 3, 1995)
	160105*	1	Key ONLY (for models mfd. prior to August 3, 1995)
6	160028	1	Lock Cam ONLY
7	137098	1	Display Board
	137104	1	Display Board Ribbon Cable Assembly...Not Illustrated
8	153010	2	#6 Star Washer
9	150005	2	#6-32 x 1/4" Phillips Round Head Machine Screw
10	120906	1	1/8" Wire Clip
11	152102	4	M3 Metric Hex Nut

\* Specify key number when ordering.

For Models Mfd. as of July 1, 1995

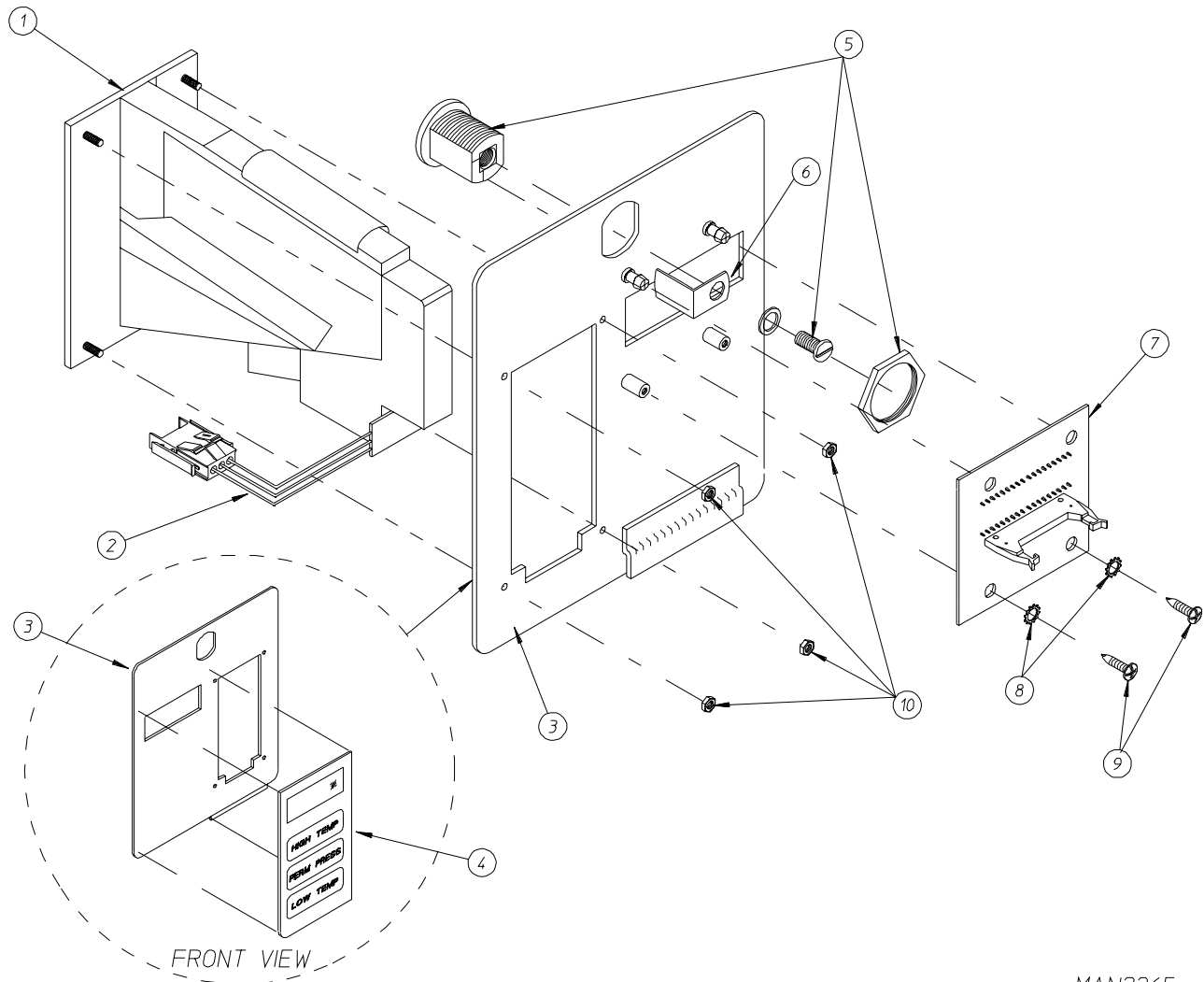


MAN2267

<u>Illus. No.</u>	<u>Part No.</u>	<u>Qty.</u>	<u>Description</u>
1	881163	1	25¢ U.S. Hanke Coin Acceptor with Optic Switch
	881450	1	25¢ Canadian Hanke Coin Acceptor with Optic Switch
	881451	1	0.880 Token Hanke Coin Acceptor with Optic Switch
2	881143	1	Hanke Optic Switch with Connector
3	112565	1	Red Right Keyboard (touch pad)
4	881160	1	Coin Panel ONLY
	881162	1	Right Coin Panel with Label (includes illus. nos. 3, 4, 8, and 9)
5	160029	1	Lock (keyed NO530) ONLY with Key
	160129	1	NO530 Key ONLY (for models mfd. as of August 3, 1995)
	160105*	1	Key ONLY (for models mfd. prior to August 3, 1995)
6	160028	1	Lock Cam ONLY
7	137098	1	Display Board
	137104	1	Display Board Ribbon Cable Assembly...Not Illustrated
8	153010	2	#6 Star Washer
9	150005	2	#6-32 x 1/4" Phillips Round Head Machine Screw
10	120906	1	1/8" Wire Clip
11	152102	4	M3 Metric Hex Nut

\* Specify key number when ordering.

For Models Mfd. prior to July 1, 1995\*

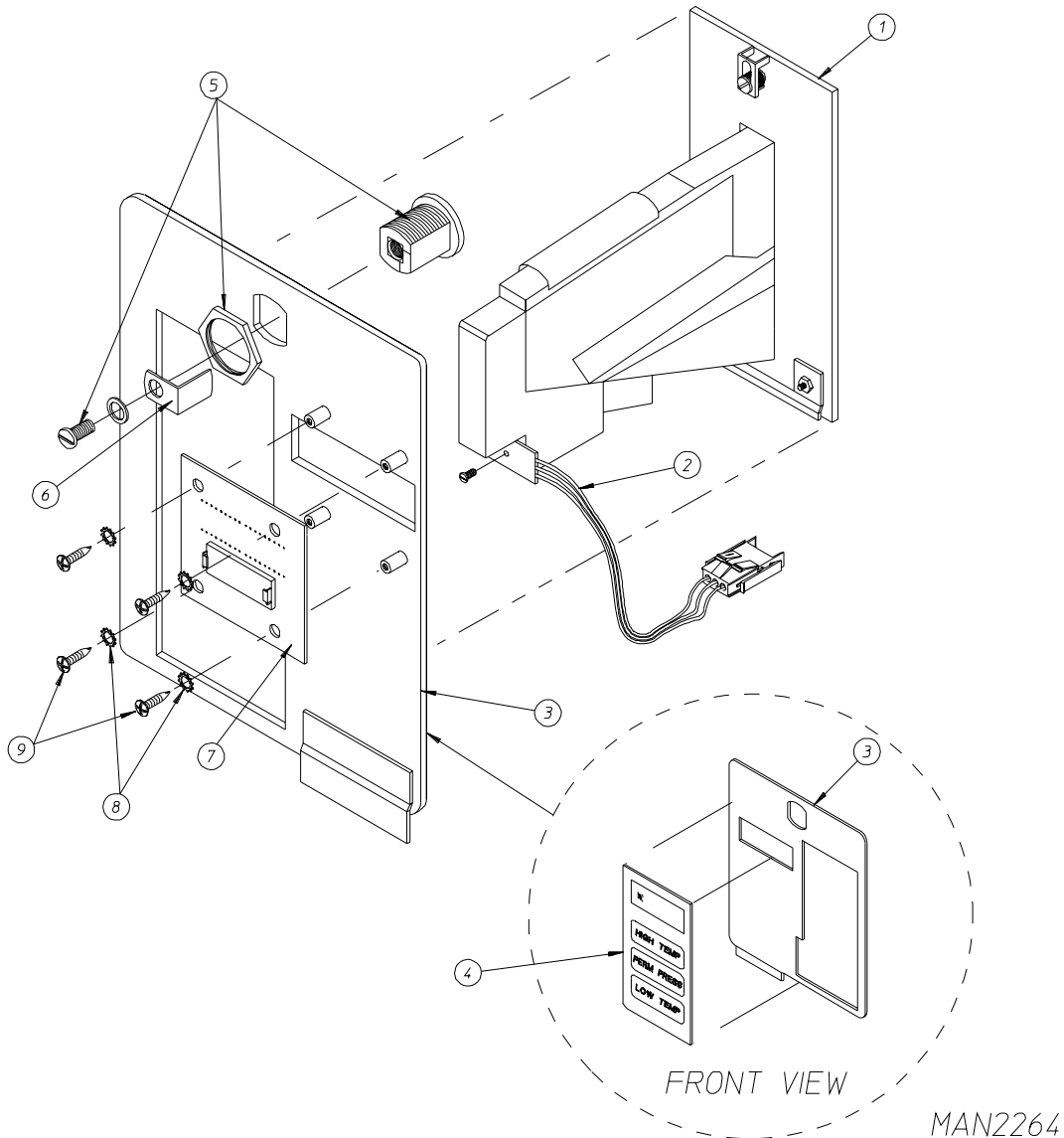


MAN2265

<u>Illus. No.</u>	<u>Part No.</u>	<u>Qty.</u>	<u>Description</u>
1	881163	1	25¢ U.S. Hanke Coin Acceptor with Optic Switch
2	881143	1	Hanke Optic Switch with Connector
3	881160	1	Coin Panel ONLY
	881164	1	Phase II Coin Panel with Label (includes illus. nos. 3, 4, and 8 through 10)
4	881140	1	Phase I Keyboard (touch pad) Label
5	160007	1	1/4 Turn Lock with Key
	160105	1	Key ONLY (specify key number when ordering)
6	160028	1	Lock Cam ONLY
7	137098	1	Display Board
	137104	1	Display Board Ribbon Cable Assembly...Not Illustrated
8	153010	2	#6 Star Washer
9	150005	2	#6-32 x 1/4" Phillips Round Head Machine Screw
10	152102	4	M3 Metric Hex Nut

\* With coin acceptor faceplate that measures 3-3/4" x 2-1/4".

For Models Mfd. prior to July 1, 1995\*

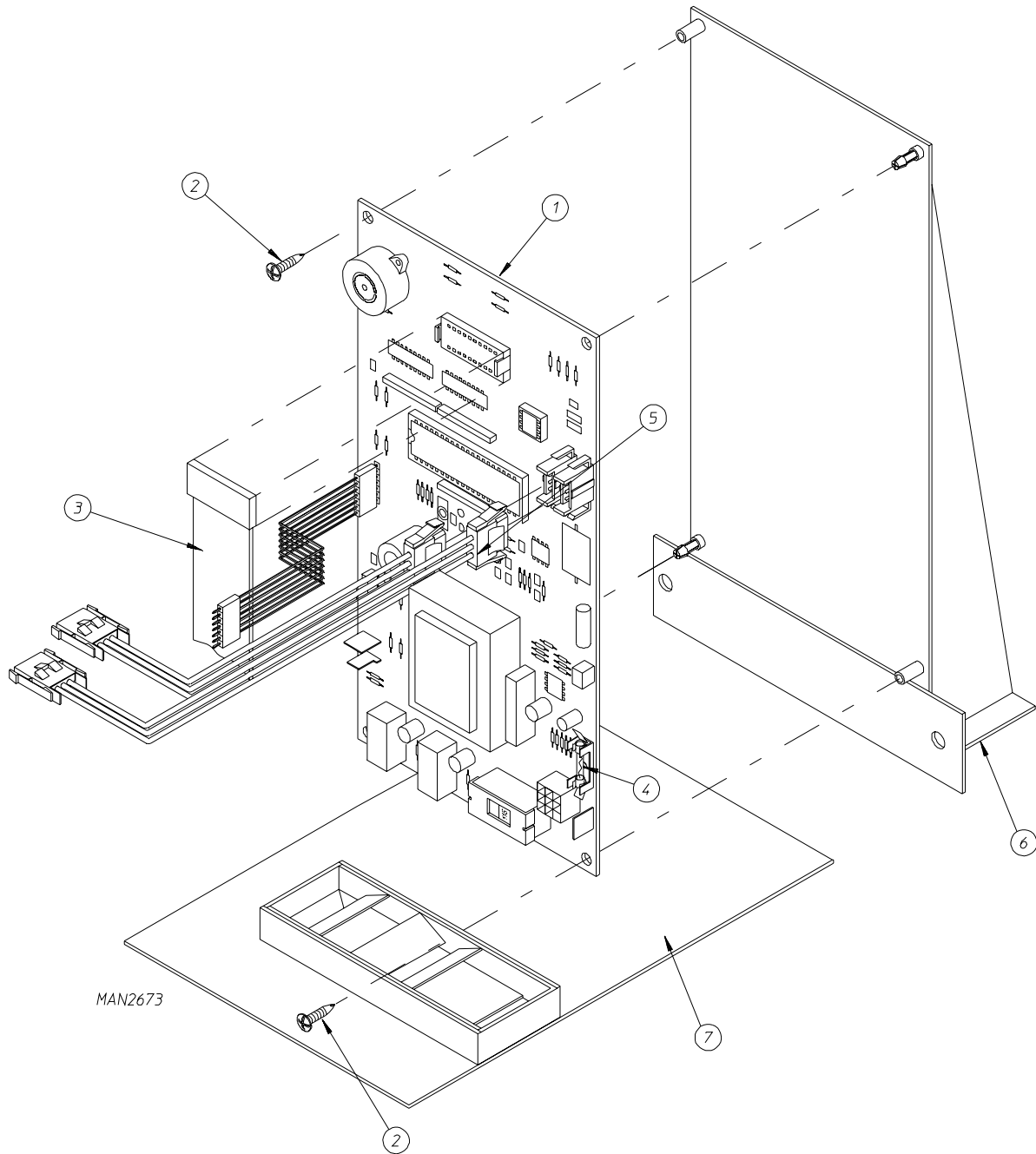


Illus. No.	Part No.	Qty.	Description
1	125767	1	25¢ U.S. Hanke Coin Acceptor (4-3/16" x 2-1/4")
2	881143	1	Hanke Optic Switch with Connector
3	881087	1	Phase I Left/Right Coin Panel ONLY (includes illus. nos. 3, 4, 8, and 9)
4	881140	1	Phase I Keyboard (touch pad) Label
5	160007	1	1/4 Turn Lock with Key and Cam
	160105	1	Key ONLY (specify key number when ordering)
6	160028	1	Lock Cam ONLY
7	137098	1	Display Board
	137099	1	Display Board Ribbon Cable Assembly...Not Illustrated
8	153010	4	#6 Star Washer
9	150005	4	M3 Metric Hex Nut

\* With coin acceptor faceplate that measures 4-3/16" x 2-1/4".

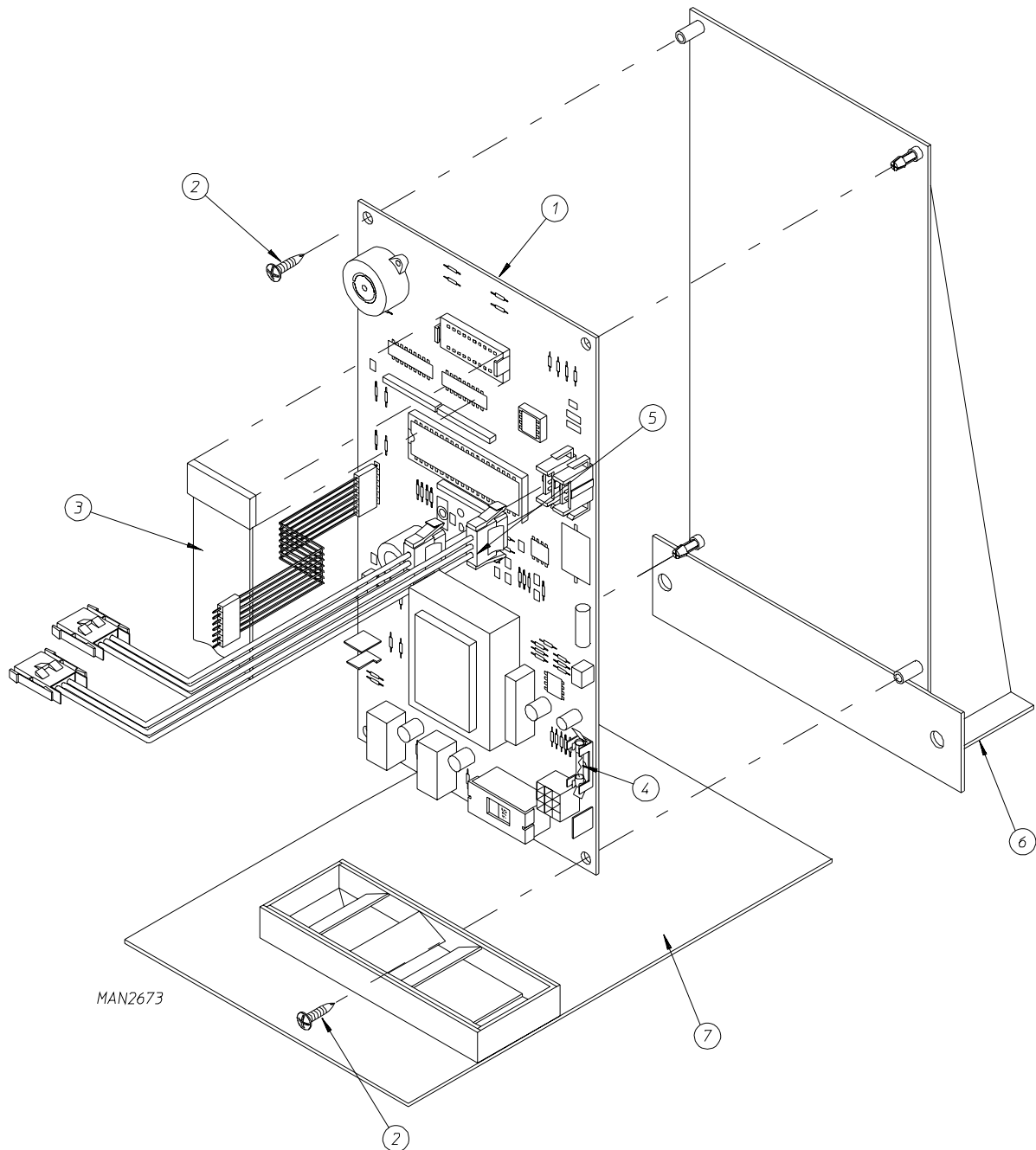


For Models Mfd. as of August 26, 1996



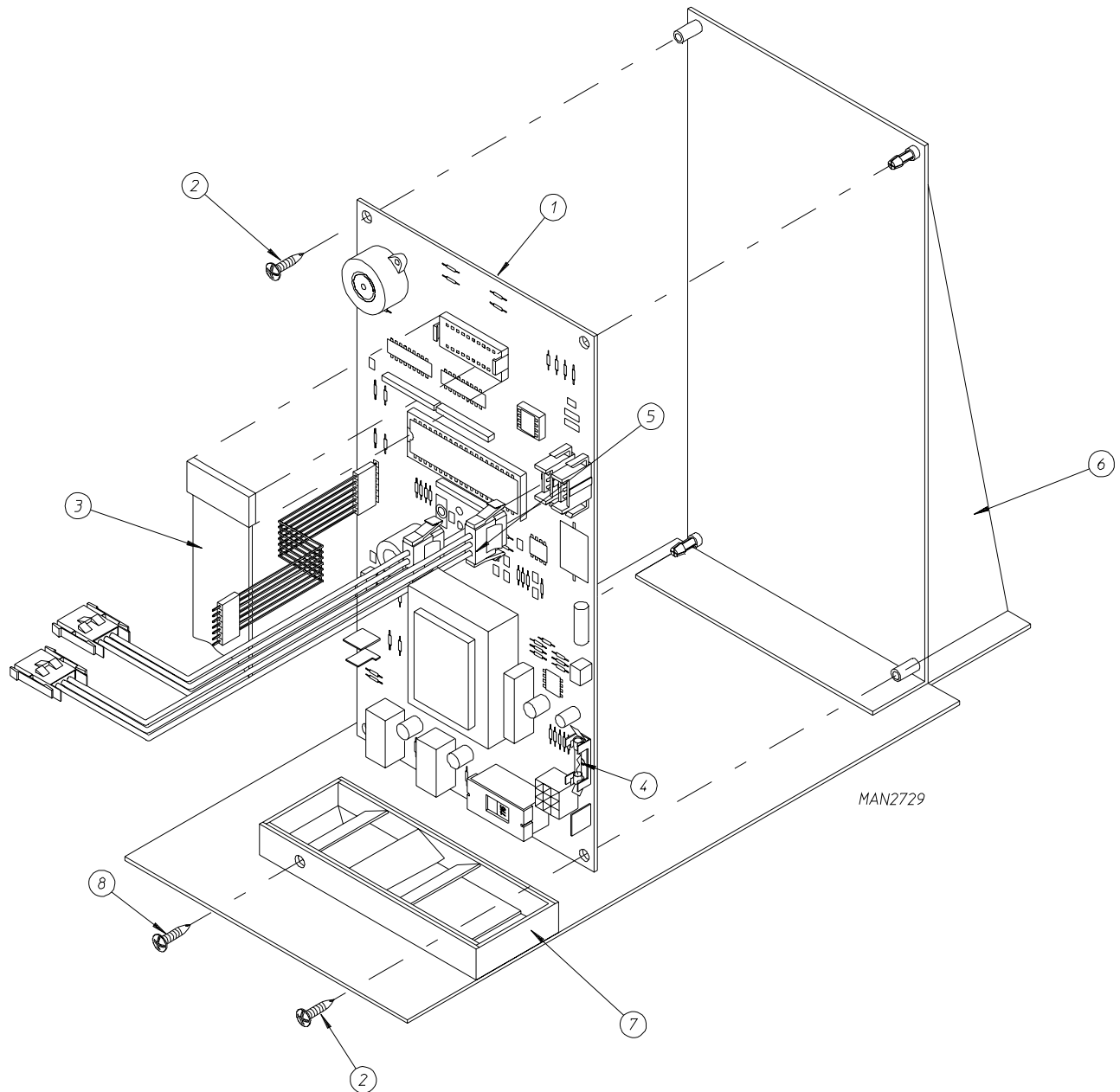
<u>Illus. No.</u>	<u>Part No.</u>	<u>Qty.</u>	<u>Description</u>
1	137103	1	Computer Board Phase 5
2	150005	2	#6-32 x 1/4" Phillips Round Head Machine Screw
3	137104	1	Ribbon Cable Assembly
4	136048	1	1/8-Amp (Slo-Blo) Fuse
5	853071	1 or 2	Optic Switch Harness
6	853171	1	Computer Panel II
	853170	1	Computer Panel Mounting Plate...Not Illustrated
7	852999	1	2-Piece 8" Coin Chute Assembly IV

For Models Mfd. between February 21, 1996 and August 25, 1996



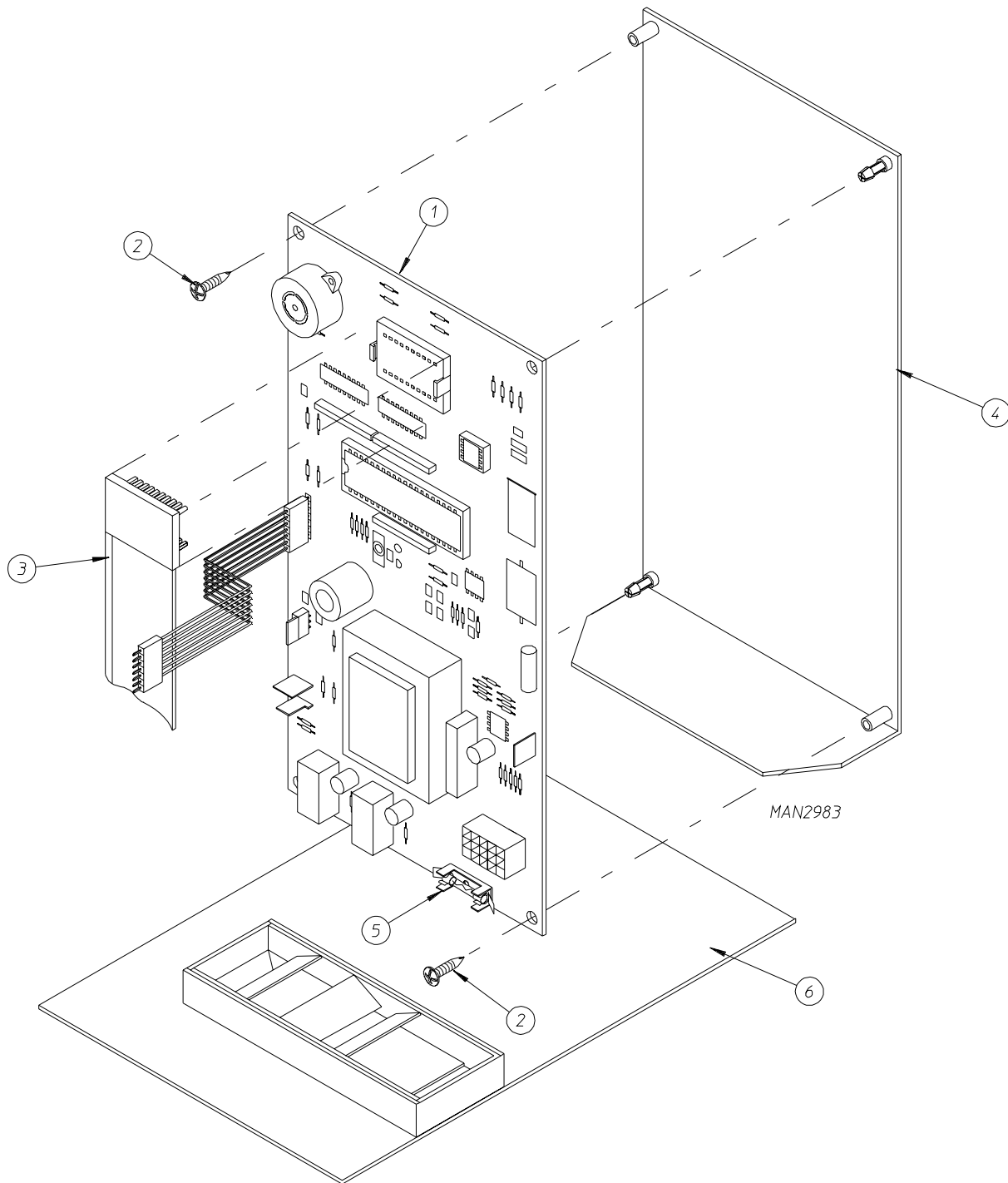
<u>Illus. No.</u>	<u>Part No.</u>	<u>Qty.</u>	<u>Description</u>
1	137103	1	Computer Board Phase 5
2	150005	2	#6-32 x 1/4" Phillips Round Head Machine Screw
3	137104	1	Ribbon Cable Assembly
4	136048	1	1/8-Amp (Slo-Blo) Fuse
5	853071	1 or 2	Optic Switch Harness
6	853171	1	Computer Panel II
	853170	1	Computer Panel Mounting Plate...Not Illustrated
7	853099	1	2-Piece 8" Coin Chute Assembly I/II

For Models Mfd. between May 9, 1995 and February 20, 1996



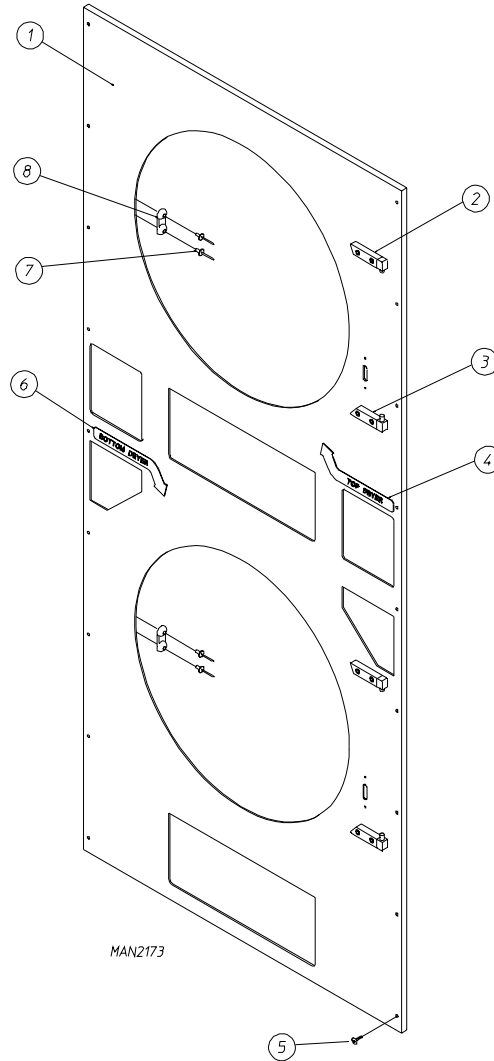
<u>Illus. No.</u>	<u>Part No.</u>	<u>Qty.</u>	<u>Description</u>
1	137103	1	Computer Board Phase 5
2	150005	2	#6-32 x 1/4" Phillips Round Head Machine Screw
3	137104	1	Ribbon Cable Assembly
4	136048	1	1/8-Amp (Slo-Bl) Fuse
5	853071	1 or 2	Optic Switch Harness
6	825602	1	1-Piece Computer Panel and Coin Chute Assembly III
7	881357	1	Funnel Kit (includes illus. nos. 7 and 8)
8	150301	1	#8-18 x 7/16" Phillips Pan Head TEK Screw

For Models Mfd. prior to May 9, 1995



<u>Illus. No.</u>	<u>Part No.</u>	<u>Qty.</u>	<u>Description</u>
1	137101	1	Computer Board (Proto)
2	150005	2 or 4	#6-32 x 1/4" Phillips Round Head Machine Screw
3	137099	1	Ribbon Cable
4	853096	1	Computer Panel
5	136048	1	1/8-Amp (Slo-Blo) Fuse
6	853099	1	Coin Chute Assembly I/II

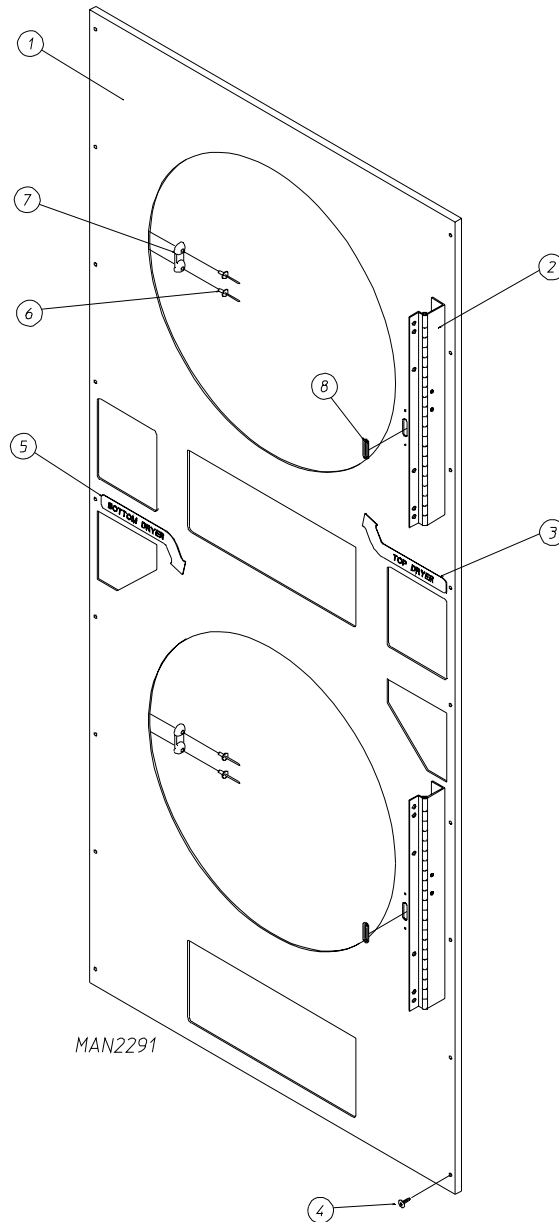
For Models Mfd. as of July 1, 1995



<u>Illus. No.</u>	<u>Part No.</u>	<u>Qty.</u>	<u>Description</u>
1	881243*	1	R.H. Textured Front Panel Assembly (includes illus. nos. 1, 7, and 8)
	881446	1	R.H. Stainless Steel Front Panel Assembly (includes illus. nos. 1, 7, and 8)
	881154*	1	R.H. Front Panel Assembly (includes illus. nos. 1, 7, and 8)
2	-----	1	Top Hinge Block Assembly (refer to <b>Main Door "Steel" Assembly on page 13</b> )
3	-----	1	Bottom Hinge Block Assembly (refer to <b>Main Door "Steel" Assembly on page 13</b> )
4	112227	1	Red Top Arrow Label
5	150415	24	#10-16 x 1/2" Phillips Round Head Crimptite Screw
6	112226	1	Blue Bottom Arrow Label
7	154215	4	5/32" Pop Rivet
8	170330	2	Friction Door Catch

\* Specify color when ordering.

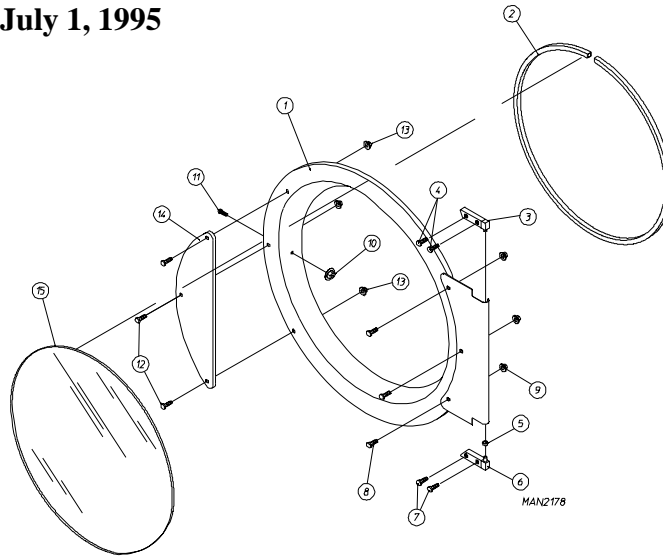
For Models Mfd. prior to July 1, 1995



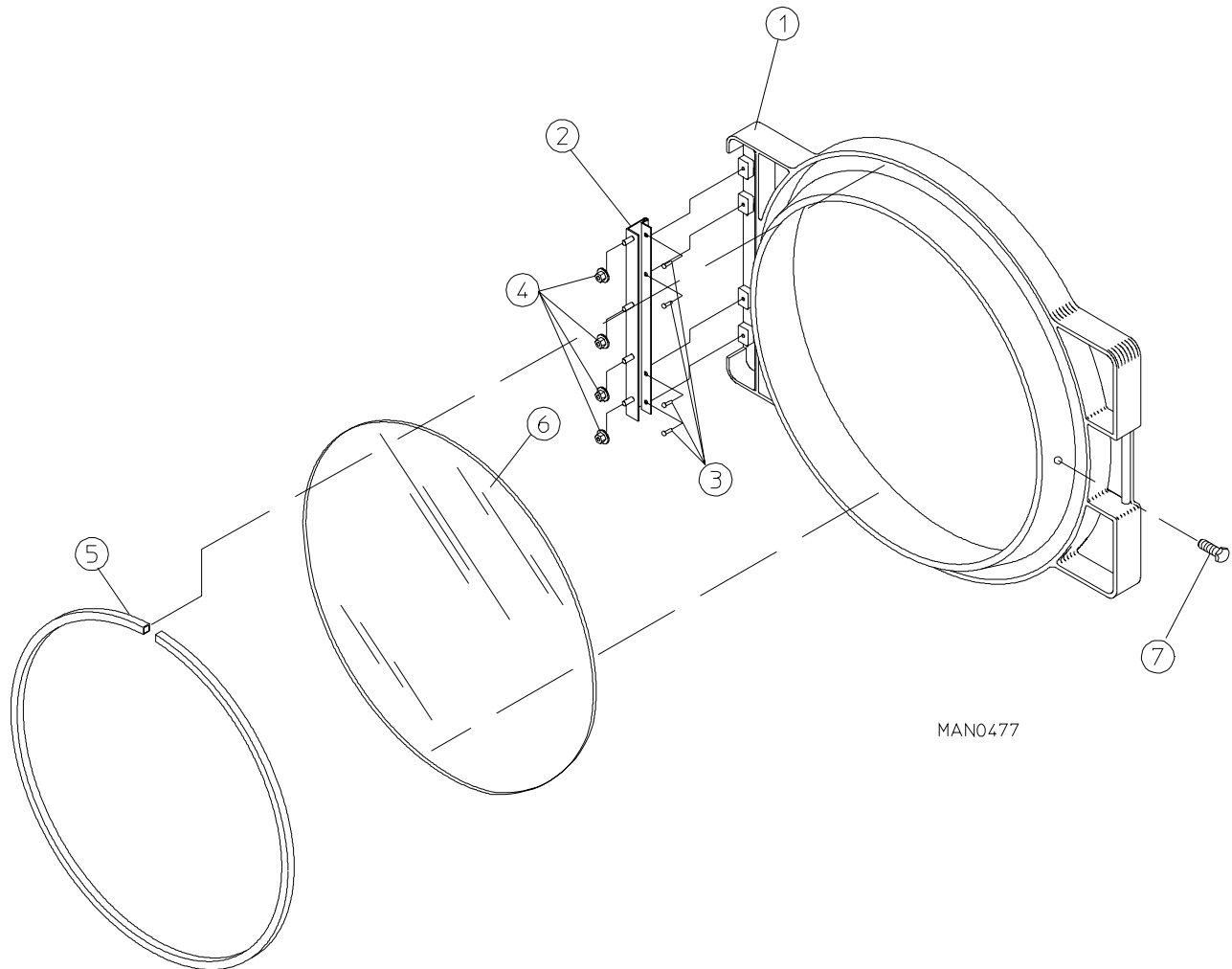
<u>Illus. No.</u>	<u>Part No.</u>	<u>Qty.</u>	<u>Description</u>
1*	881155	1	R.H. Front Panel Assembly (includes illus. nos. 1, 2, 6, and 7)
2	-----	1	Stainless Steel Hinge Assembly (refer to <b>Main Door [Plastic] Assembly on page 14</b> )
3	112227	1	Red Top Arrow Label
4	150415	24	#10-16 x 1/2" Phillips Round Head Crimptite Screw
5	112226	1	Blue Bottom Arrow Label
6	154215	4	5/32" Pop Rivet
7	170330	2	Friction Door Catch
8	121405	2	Rubber Grommet

\* Specify color when ordering.

For Models Mfd. as of July 1, 1995



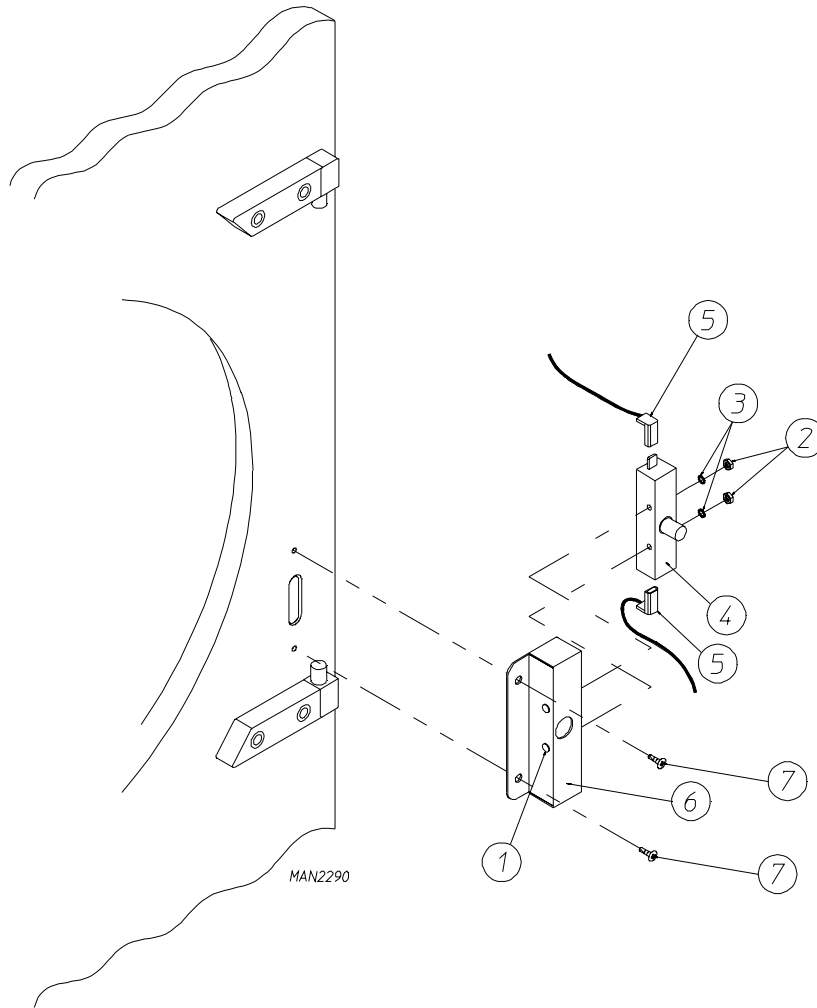
<u>Illus. No.</u>	<u>Part No.</u>	<u>Qty.</u>	<u>Description</u>
1	881150	1	Black Main Door Assembly Complete (includes illus. nos. 1, 2, and 8 through 15)
	881207	1	Stainless Steel Main Door Assembly Complete (includes illus. nos. 1, 2, and 8 through 15)
2	102354	1	Door Gasket
	170731	1	Black Gasket Adhesive (10.3 oz. cartridge)
	170730	1	Clear Gasket Adhesive (10.3 oz. cartridge)
3	881152	1	Black Top Hinge Block (includes illus. nos. 3 and 4)
	881208	1	Stainless Steel Top Hinge Block (includes illus. nos. 3 and 4)
4	150445	2	1/4-20 x 3/4" Black Cap Head Setscrew
	150443	2	1/4-20 x 3/4" Stainless Steel Cap Head Setscrew
5	153031	1	1/4" Nylon Washer
6	881151	1	Black Bottom Hinge Block (includes illus. nos. 5 through 7)
	881209	1	Stainless Steel Bottom Hinge Block (includes illus. nos. 5 through 7)
7	150445	2	1/4-20 x 3/4" Black Cap Head Setscrew
	150443	2	1/4-20 x 3/4" Stainless Steel Cap Head Setscrew
8	150683	3	Black 1/4-20 x 5/8" Carriage Bolt
	150682	3	Polished 1/4-20 x 5/8" Carriage Bolt (for models with stainless steel doors)
9	152014	3	1/4-20 Free Spin Wash Nut
10	151010	1	#10-32 Black Hex Acorn Nut
	151009	1	#10-32 Stainless Steel Hex Acorn Nut
11	150120	1	Door Latch Screw
12	150683	3	Black 1/4-20 x 5/8" Carriage Bolt
	150682	3	Polished 1/4-20 x 5/8" Carriage Bolt (for models with stainless steel doors)
13	152014	3	1/4-20 Free Spin Wash Nut
14	881210	1	Black Main Door Handle ONLY
	170333	1	Stainless Steel Main Door Handle ONLY
15	102211	1	20-7/16" Door Glass
	170731	1	Black Glass Adhesive (10.3 oz. cartridge)
	170730	1	Clear Glass Adhesive (10.3 oz. cartridge)



<u>Illus. No.</u>	<u>Part No.</u>	<u>Qty.</u>	<u>Description</u>
1	881422	1	Black Plastic (latch) Main Door Assembly (includes illus. nos. 1 and 5 through 7)
2	800448	1	12-1/2" Stainless Steel Main Door Hinge Assembly
3	150410	4	#10-24 x 3/8" Phillips Pan Head Taptite Screw
4	152014	4	1/4-20 Free Spin Wash Nut
5	102353	1	69-1/2" Main Door Gasket
6	102210	1	20-7/16" Door Glass
	170730	1	Clear Glass Adhesive (10.3 oz. cartridge)
7	150431	1	Main Door Latch Screw (#10 x 7/16" dome hex head screw)

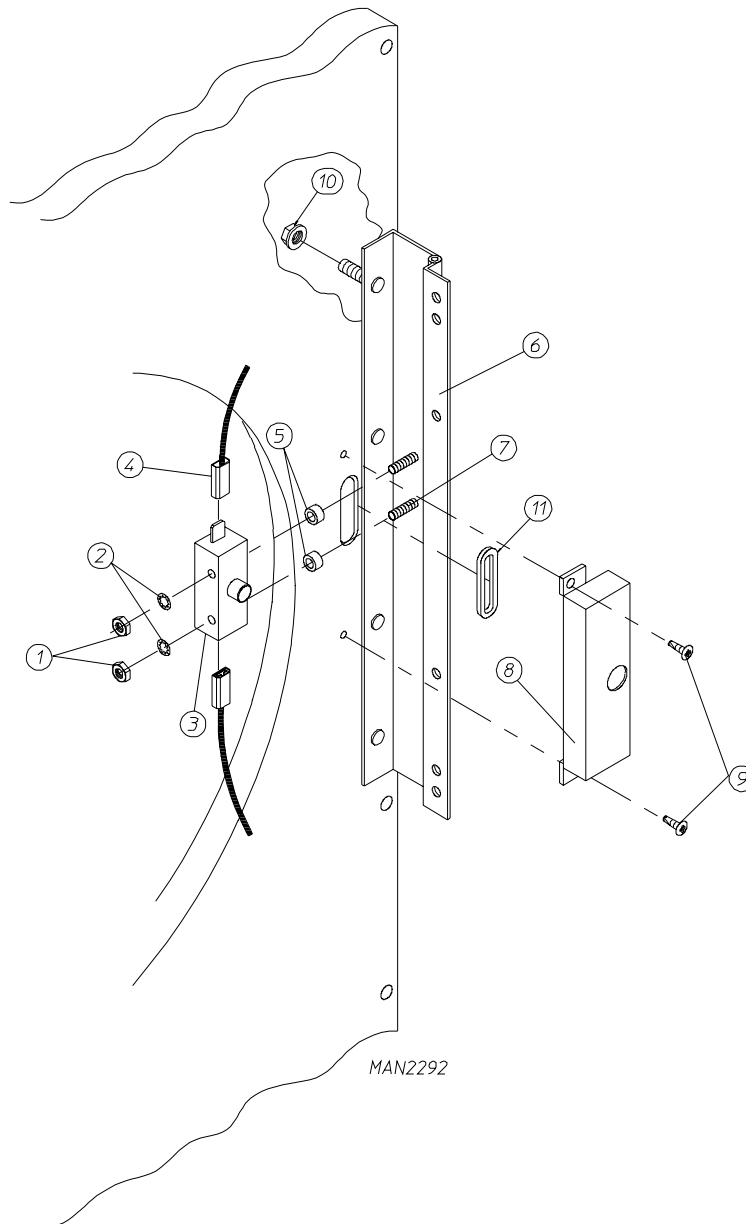


For Models Mfd. as of July 1, 1995

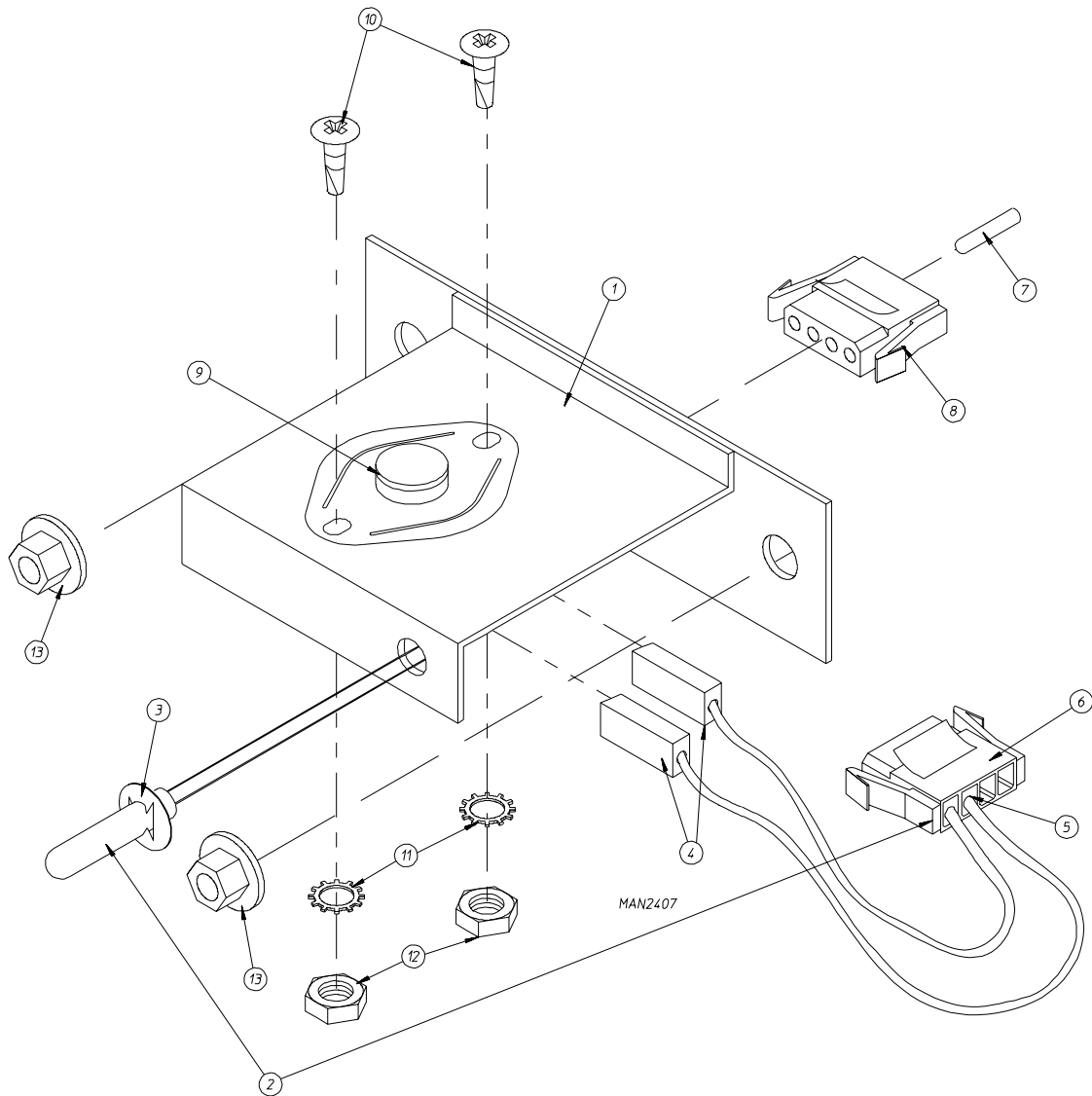


<u>Illus. No.</u>	<u>Part No.</u>	<u>Qty.</u>	<u>Description</u>
1	153566	2	#6-32 x 7/8" Clinch Stud
2	152013	2	#6-32 Hex Nut
3	153010	2	#6 Star Washer
4	137005	1	Door Switch
5	122636	2	Flag Terminal
6	881211	1	Black Main Door Switch Housing ONLY
	881212	1	Beige Main Door Switch Housing ONLY
	881213	1	White Main Door Switch Housing ONLY
	881214	1	Blue Main Door Switch Housing ONLY
	881153	1	Black Main Door Switch Housing Complete (includes illus. nos. 1 through 4 and 6)
	881215	1	Beige Main Door Switch Housing Complete (includes illus. nos. 1 through 4 and 6)
	881216	1	White Main Door Switch Housing Complete (includes illus. nos. 1 through 4 and 6)
	881217	1	Blue Main Door Switch Housing Complete (includes illus. nos. 1 through 4 and 6)
7	150301	2	#8-18 x 7/16" Phillips Pan Head TEK Screw

For Models Mfd. prior to July 1, 1995

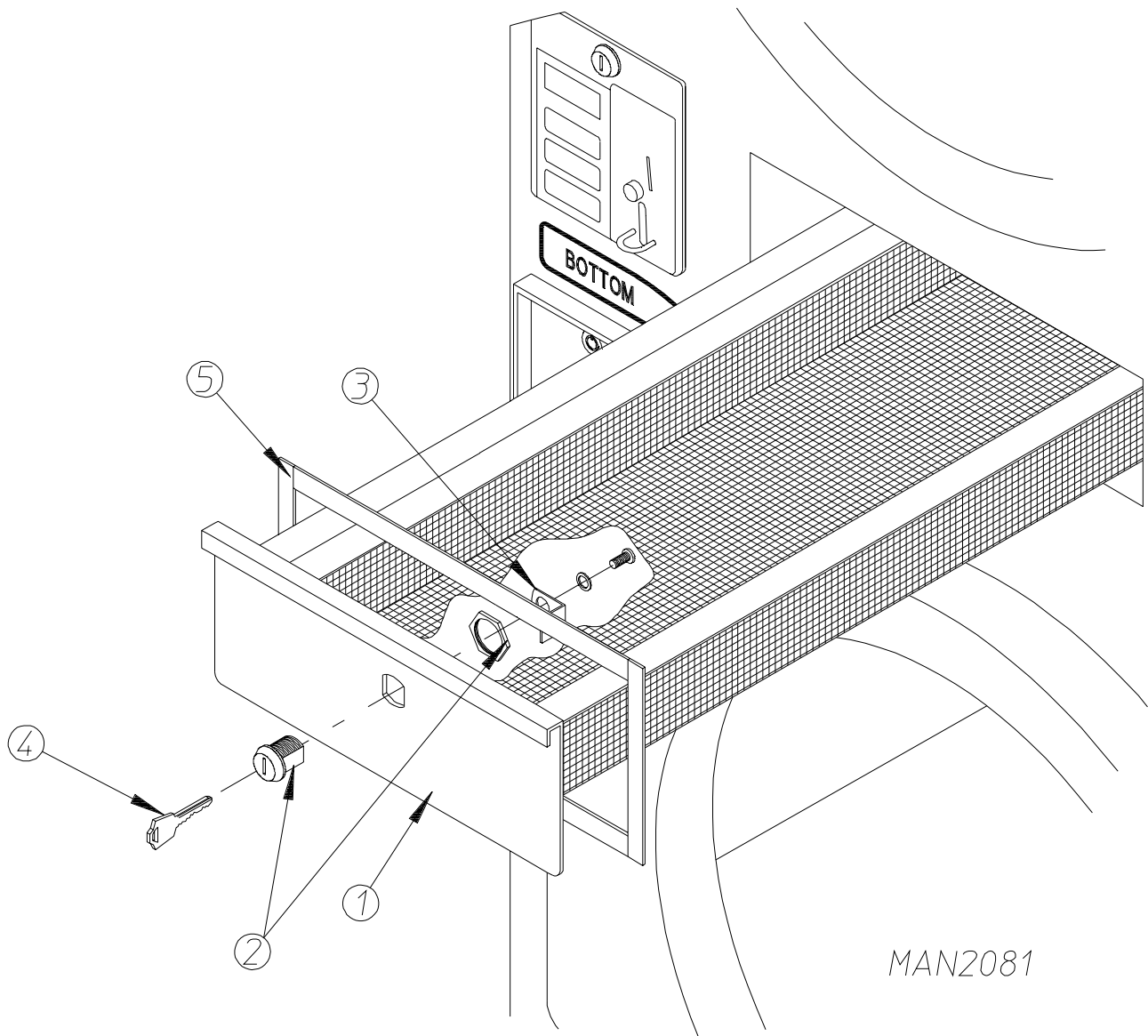


<u>Illus. No.</u>	<u>Part No.</u>	<u>Qty.</u>	<u>Description</u>
1	152013	2	#6-32 Hex Nut
2	153008	2	#6 Lock Washer
3	137005	1	Door Switch
4	121028	2	Insulated Terminal
5	154281	2	3/8" Standard Nylon Spacer
6	800448	1	12-1/2" Stainless Steel Main Door Hinge Assembly (includes illus. nos. 6 and 7)
7	153565	2	#6 Stud
8	313218	1	Main Door Switch Housing
9	150201	2	#10-32 x 1/4" Phillips Pan Head Screw
10	152014	4	1/4-20 Free Spin Wash Nut
11	121405	1	Rubber Grommet



<u>Illus. No.</u>	<u>Part No.</u>	<u>Qty.</u>	<u>Description</u>
1	853021	1	Sensor Bracket ONLY
	881090	1	Microprocessor Temperature Sensor Bracket Assembly Complete (includes illus. nos. 1 through 6 and 9 through 12)
2	880251	1	Microprocessor Sensor Probe Assembly Complete (includes illus. nos. 2 through 6)
3	154007	2	1/4" Push On Fastener
4	121028	2	1/4" Terminal
5	122701	4	Socket Terminal
6	122605	1	4-Position Connector (female)
7	122700	4	Pin Terminal
8	122604	1	4-Position Connector (male)
9	130112	1	225° Thermostat
10	150005	2	#6-32 x 1/4" Phillips Round Head Machine Screw
11	153010	2	#6 Star Washer
12	152013	2	#6-32 Hex Nut
13	152014	2	1/4-20 Free Spin Wash Nut

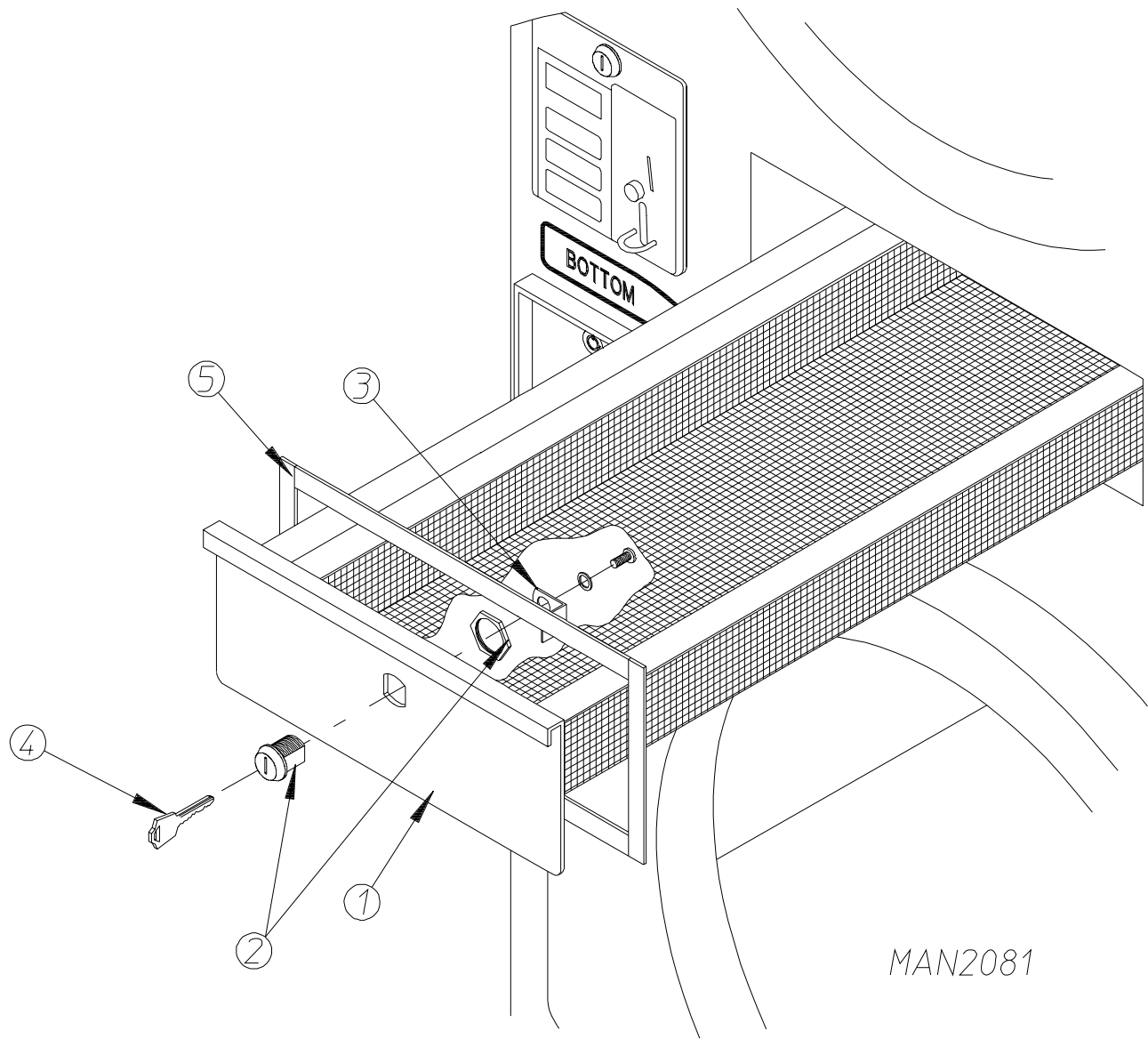
For Models Mfd. as of September 6, 1996



<u>Illus. No.</u>	<u>Part No.</u>	<u>Qty.</u>	<u>Description</u>
1	881445*	1	Textured Lint Drawer Assembly II (less lock and logo)
	881444	1	Stainless Steel Lint Drawer Assembly II (less lock and logo)
	881443*	1	Lint Drawer Assembly II (less lock and logo)
	112346	1	Wasco Dry Logo...Not Illustrated
2	160015	1	MK-100 Lock with Key (less cam)
	160031	1	Cam ONLY (90° bend)
4	160104	1	MK-100 Key ONLY
5	117600	4	Noise Suppression Tape (sold by the foot)

\* Specify color when ordering.

**For Models Mfd. prior to September 6, 1996 with "Roller" Type Lint Drawer Switch**

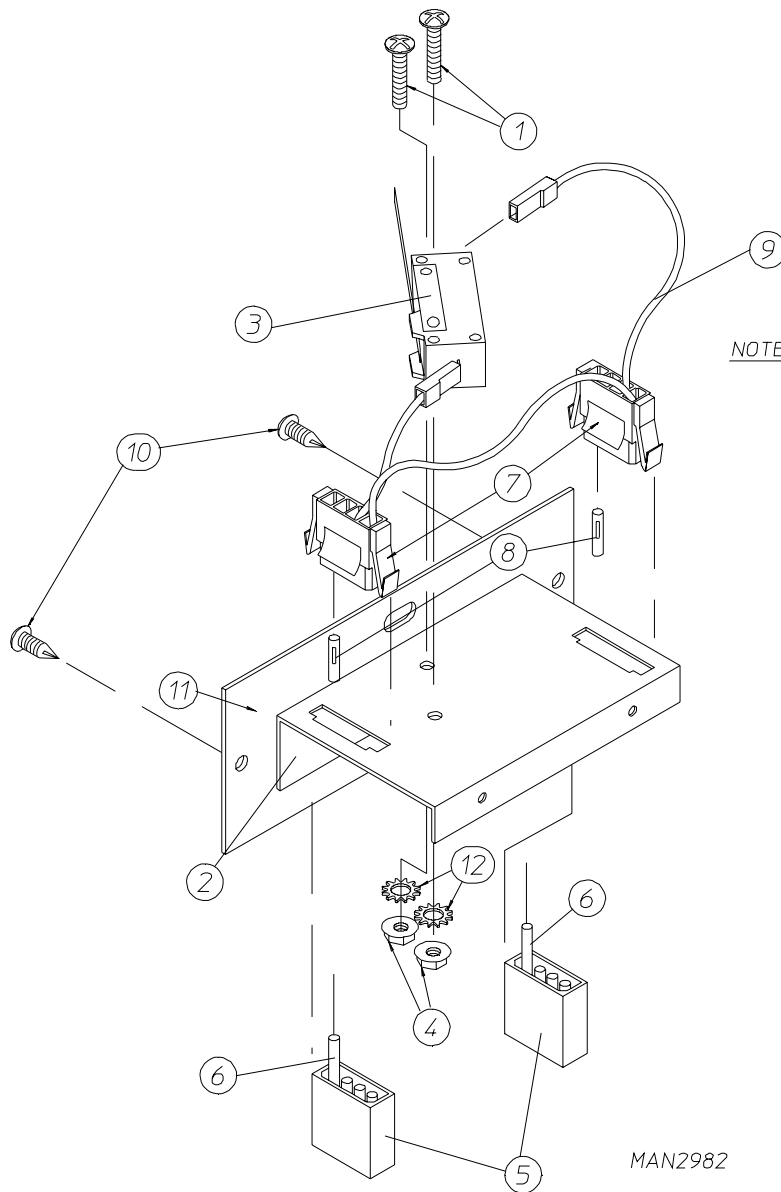


MAN2081

<u>Illus. No.</u>	<u>Part No.</u>	<u>Qty.</u>	<u>Description</u>
1	881234*	1	Textured Lint Drawer Assembly I (less lock and logo)
	881442	1	Stainless Steel Lint Drawer Assembly I (less lock and logo)
	881088*	1	Lint Drawer Assembly I (less lock and logo)
	112346	1	Wasco Dry Logo...Not Illustrated
2	160015	1	MK-100 Lock with Key (less cam)
3	160031	1	Cam ONLY (90° bend)
4	160104	1	MK-100 Key ONLY
5	117600	4	Noise Suppression Tape (sold by the foot)

\* Specify color when ordering.

For Models Mfd. as of September 6, 1996

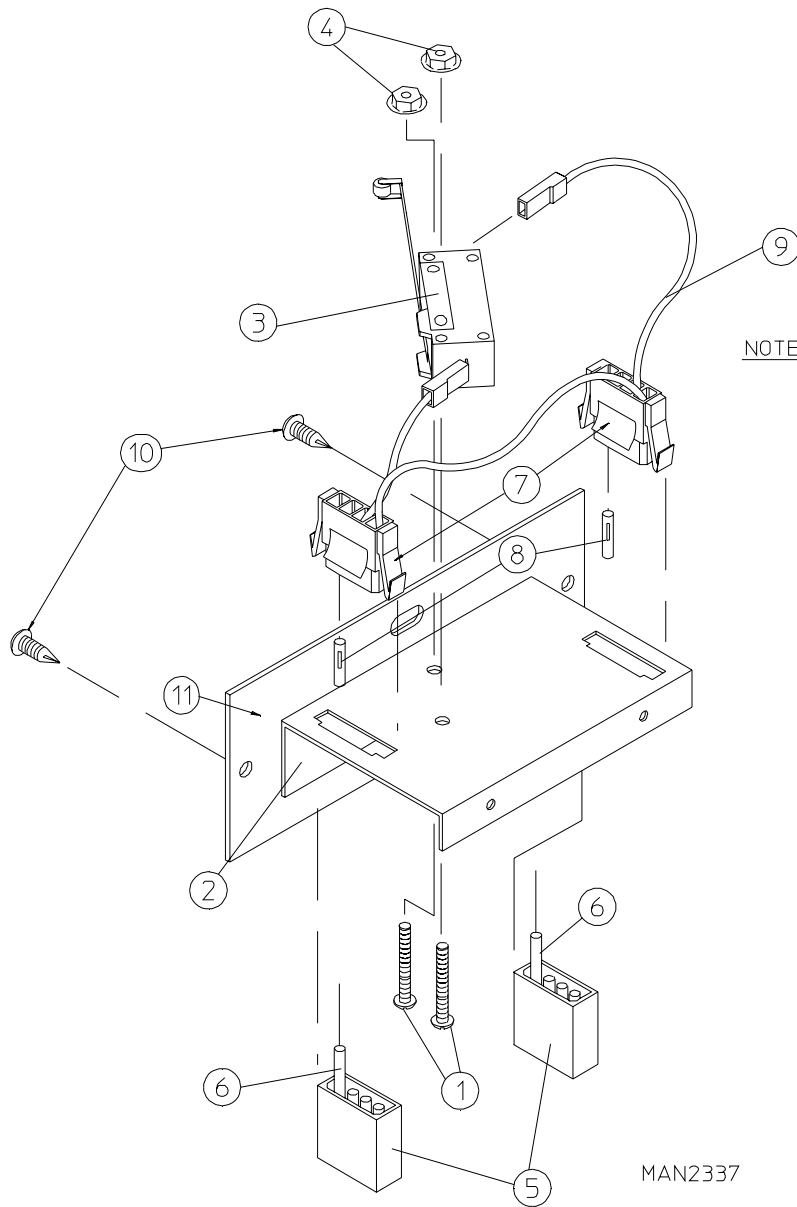


NOTE: DUPLICATE ALL COMPONENTS FOR UPPER  
LINT BASKET SWITCH ASSEMBLY

MAN2982

<u>Illus. No.</u>	<u>Part No.</u>	<u>Qty.</u>	<u>Description</u>
1	150002	2	#6-32 x 1" Phillips Round Head Machine Screw
2	881456	1	Lint Drawer Switch Bracket II ONLY
3	136992	1	Lint Drawer Switch ONLY
4	152013	2	#6-32 Hex Nut
5	122604	2	4-Pin Connector (male)
6	122700	4	Pin Terminal
7	122605	2	4-Pin Connector (female)
8	122701	4	Socket Terminal
9	826303	1	Lint Drawer Switch Harness II (includes illus. nos. 7 through 9)
10	150301	2	#8-18 x 7/16" Phillips Pan Head TEK Screw
11	881456	1	Lint Drawer Switch Bracket II ONLY
12	153010	2	#6 Star Washer

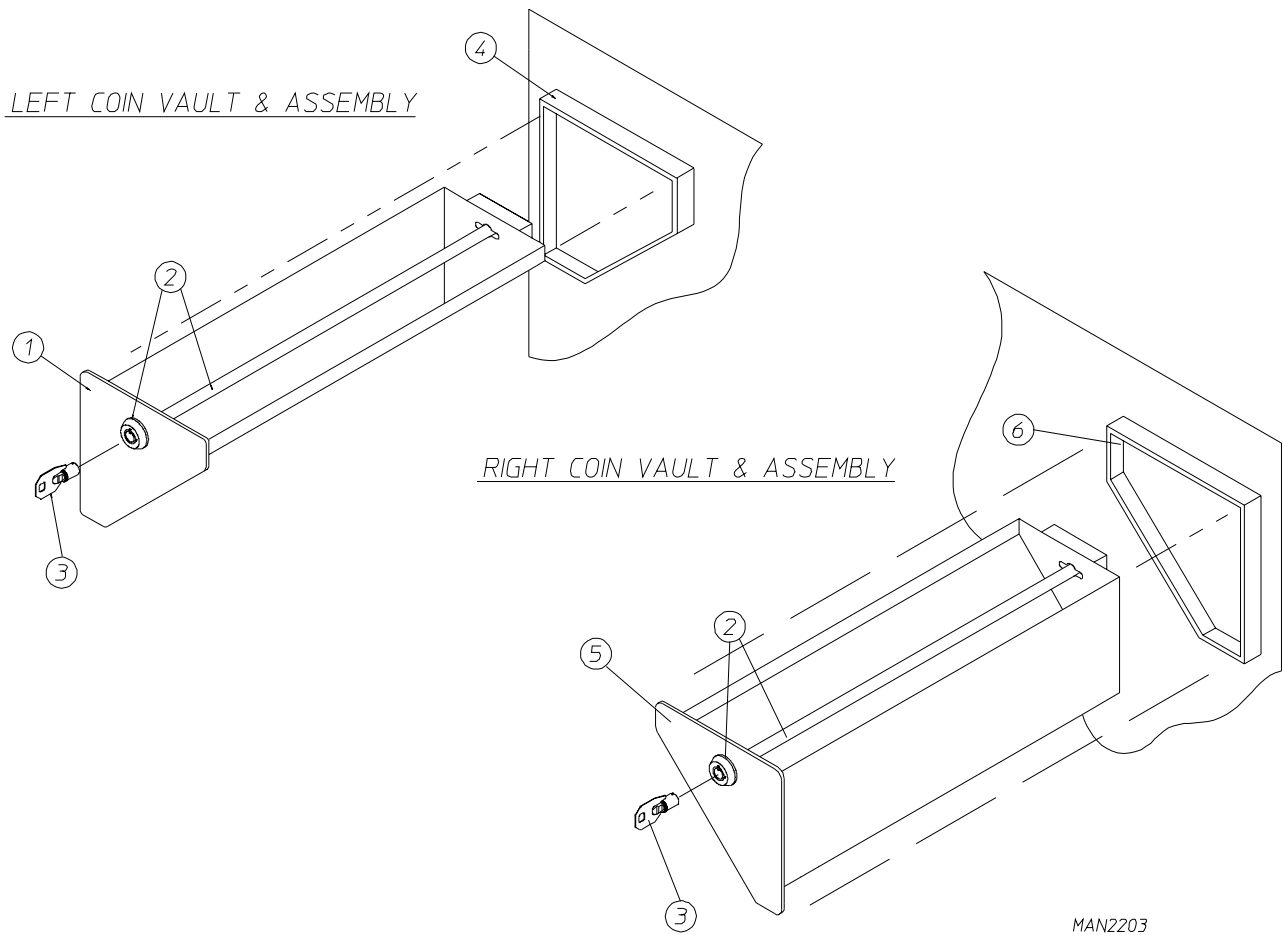
**For Models Mfd. prior to September 6, 1996 with "Roller Type Switch"**



NOTE: DUPLICATE ALL COMPONENTS FOR UPPER LINT BASKET SWITCH ASSEMBLY

MAN2337

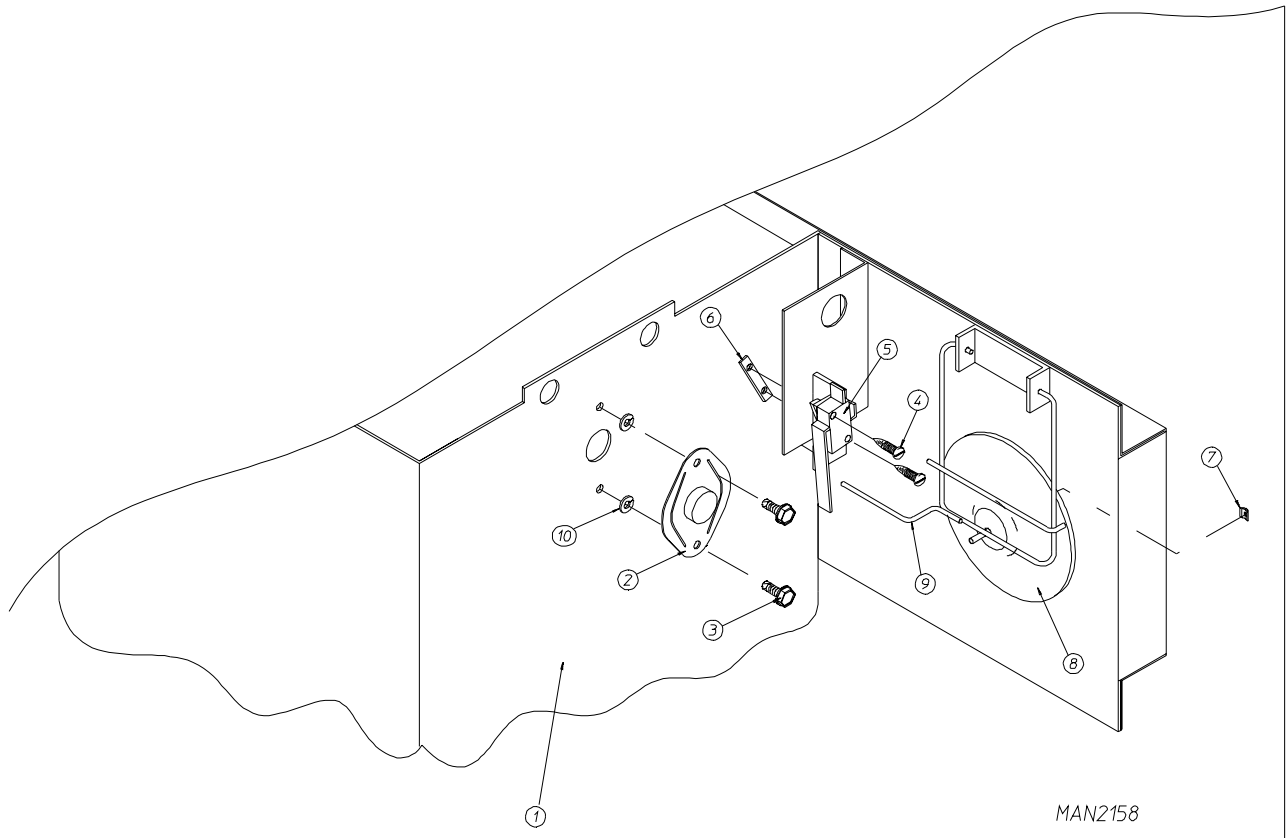
<u>Illus. No.</u>	<u>Part No.</u>	<u>Qty.</u>	<u>Description</u>
1	150002	2	#6-32 x 1" Phillips Round Head Machine Screw
2	881095	1	Lint Drawer Switch Bracket I ONLY
3	136990	1	Lint Drawer Switch ONLY
4	152013	2	#6-32 Hex Nut
5	122604	2	4-Pin Connector (male)
6	122700	4	Pin Terminal
7	122605	2	4-Pin Connector (female)
8	122701	4	Socket Terminal
9	824848	1	Lint Drawer Switch Harness (includes illus. nos. 7 through 9)
10	150301	2	#8-18 x 7/16" Phillips Pan Head TEK Screw
11	881095	1	Lint Drawer Switch Bracket I ONLY



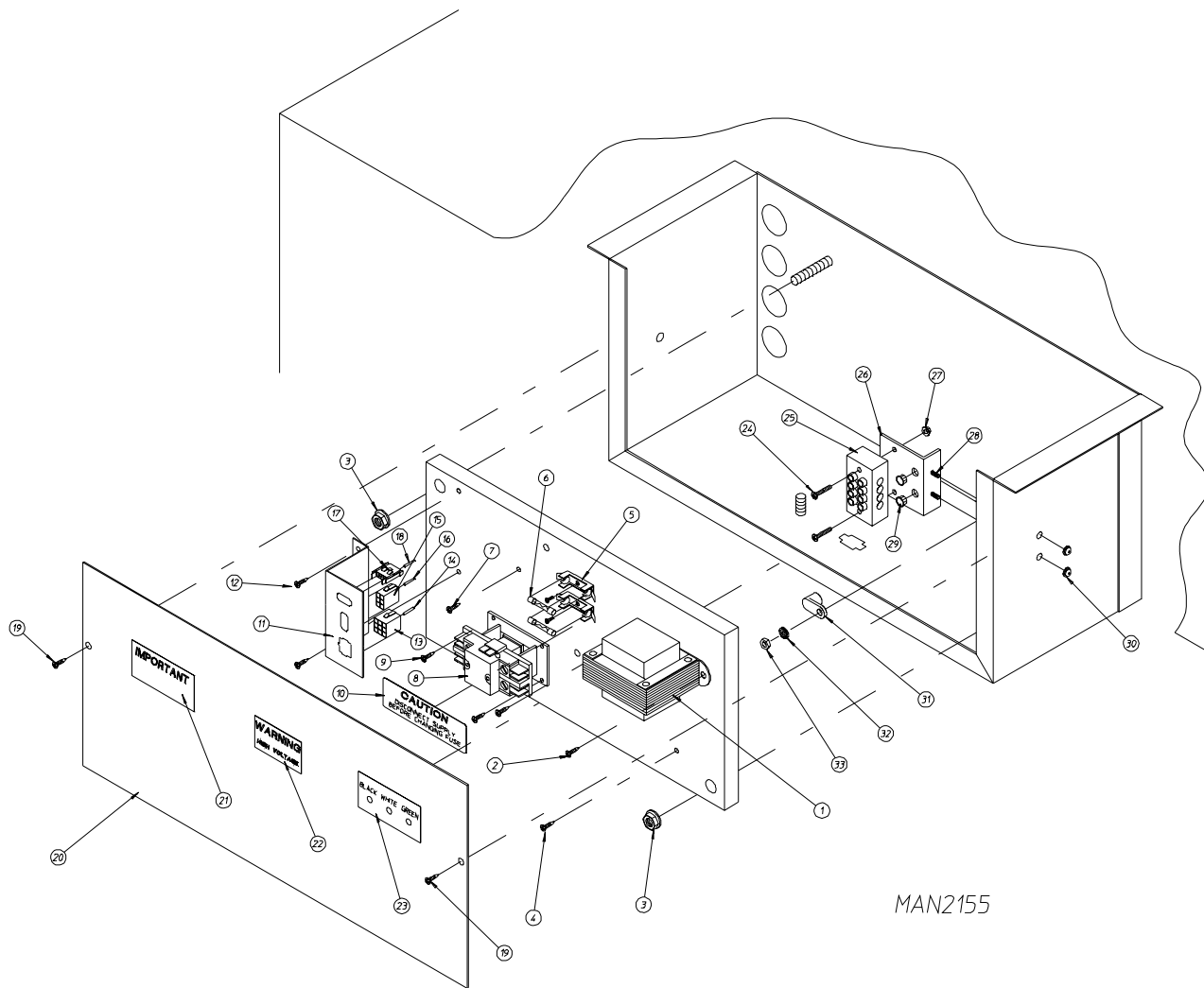
<u>Illus. No.</u>	<u>Part No.</u>	<u>Qty.</u>	<u>Description</u>
1	881174	1	Black Left/Right Coin Box Faceplate ONLY
	881168	1	Left Coin Box with Black Faceplate ONLY (less lock)
2	160036	2	Coin Box Lock with Key (not supplied with dryer)
	881158	1	Coin Box Lock Kit (includes two [2] locks with keys "keyed alike")
3	160136*	1	Coin Box Lock Key ONLY
4	881178	1	Black Left Coin Vault ONLY
5	881174	1	Black Left/Right Coin Box Faceplate ONLY
	881167	1	Right Coin Box with Black Faceplate ONLY (less lock)
6	881179	1	Black Right Coin Vault ONLY

\* Specify key number when ordering.





<u>Illus. No.</u>	<u>Part No.</u>	<u>Qty.</u>	<u>Description</u>
1	881223	1	Burner Tunnel Assembly
2	130401	1	330° Hi-Limit
3	150300	2	#10-16 x 1/2" Hex Washer TEK Screw
4	150303	2	#4 x 3/4" Pan Head "A" Machine Screw
5	122200	1	Sail Switch
6	154004	1	Twin Speed Nut
7	154002	1	1/8" Push On Fastener
8	319206	1	Sail Switch Damper
9	105550	1	Sail Switch Rod
10	153002	2	5/16" Lock Washer

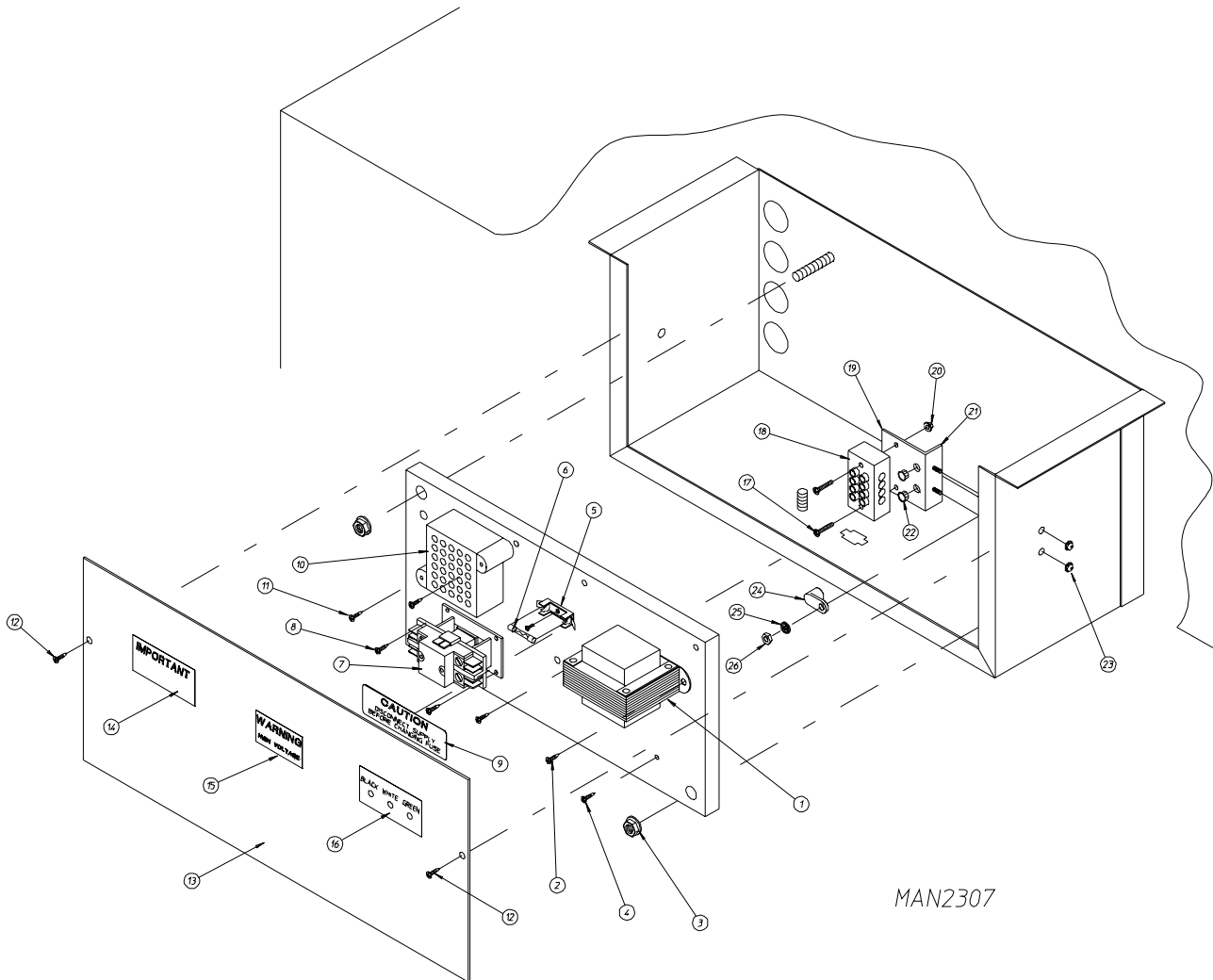


MAN2155

---

 For Models Mfd. as of July 1, 1995

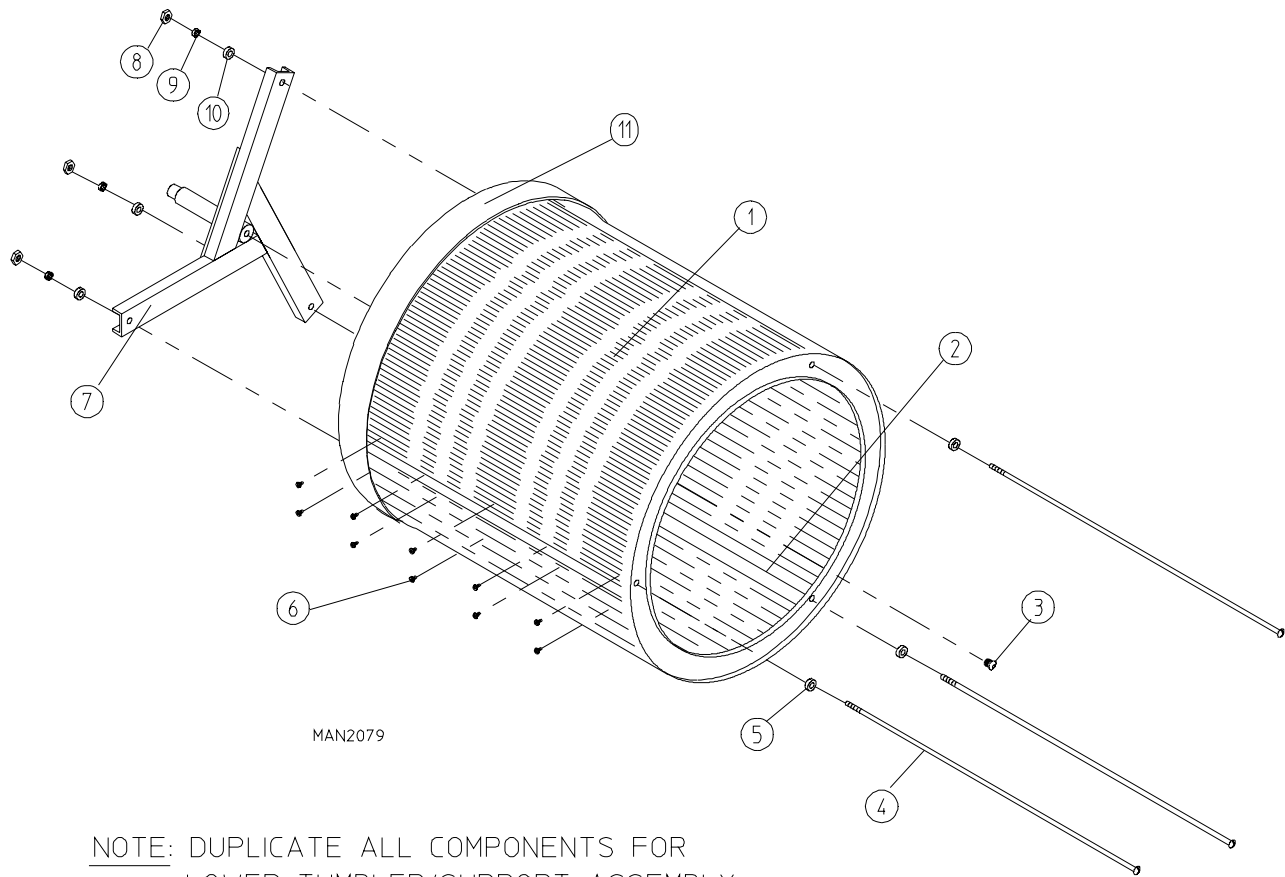
<u>Illus. No.</u>	<u>Part No.</u>	<u>Qty.</u>	<u>Description</u>
1	881452	1	Step Down Transformer - 115 VAC
	881453	1	Step Down Transformer - 208 VAC
	881454	1	Step Down Transformer - 240 VAC
2	150301	2	#8-18 x 7/16" Phillips Pan Head TEK Screw
3	152014	2	1/4-20 Free Spin Wash Nut
4	150301	1	#8-18 x 7/16" Phillips Pan Head TEK Screw
5	136008	1 or 2	Fuse Block
6	136057	1 or 2	1/2-amp (Slo-Blo) Fuse
7	150301	1 or 2	#8-18 x 7/16" Phillips Pan Head TEK Screw
8	132451	1	24V Motor Contactor
9	150301	2	#8-18 x 7/16" Phillips Pan Head TEK Screw
10	112025	1	Caution/Fuse Label
11	353161	1	Connector Bracket
12	150301	2	#8-18 x 7/16" Phillips Pan Head TEK Screw
13	122642	1	9-Pin Connector
14	122643	8	#20-16 U.M.N.L. Pin
15	122645	1	6-Pin Connector
16	122643	6	#20-16 U.M.N.L. Pin
17	182458	1	3-Pin Connector
18	137028	3	Pin
19	150301	2	#8-18 x 7/16" Phillips Pan Head TEK Screw
20	353153	1	Rear Electrical Box Cover
21	112046	1	Ground Label
22	112014	1	High Voltage (HV) Label
23	112039	1	Black/White/Green/Ground Label
24	150008	2	#6-32 x 1-1/4" Phillips Pan Head Machine Screw
25	120701	1	4-Position Terminal Block
26	881222	1	Power Distribution Block Mounting Bracket
27	151000	2	#6-32 Pal Nut
28	153528	2	#8-32 x 1/2" Clinch Stud
29	121300	2	Open/Closed Bushing
30	152001	2	#8-32 Hex Nut
31	121010	1	L-70 Ground Lug
32	153007	1	1/4" Lock Washer
33	152002	1	1/4-20 Hex Nut



---

**For Models Mfd. prior to July 1, 1995**

<u>Illus. No.</u>	<u>Part No.</u>	<u>Qty.</u>	<u>Description</u>
1	141403	1	Step Down Transformer
2	150301	2	#8-18 x 7/16" Phillips Pan Head TEK Screw
3	152014	2	1/4-20 Free Spin Wash Nut
4	150301	1	#8-18 x 7/16" Phillips Pan Head TEK Screw
5	136008	1 or 2	Fuse Block
6	136057	1 or 2	1/2-amp (Slo-Blo) Fuse
7	132451	1	24V Motor Contactor
8	150301	2	#8-18 x 7/16" Phillips Pan Head TEK Screw
9	112025	1	Caution/Fuse Label
10	120715	1	30-Position Terminal Block
11	150008	2	#6-32 x 1-1/4" Phillips Pan Head Machine Screw
12	150301	2	#8-18 x 7/16" Phillips Pan Head TEK Screw
13	353153	1	Rear Electrical Box Cover
14	112046	1	Ground Label
15	112014	1	High Voltage (HV) Label
16	112039	1	Black/White/Green/Ground Label
17	150008	2	#6-32 x 1-1/4" Phillips Pan Head Machine Screw
18	120701	1	4-Position Terminal Block
19	881222	1	Power Distribution Block Mounting Bracket
20	151000	2	#6-32 Pal Nut
21	153528	2	#8-32 x 1/2" Clinch Stud
22	121300	2	Open/Closed Bushing
23	152001	2	#8-32 Hex Nut
24	121010	1	L-70 Ground Lug
25	153007	1	1/4" Lock Washer
26	152002	1	1/4-20 Hex Nut

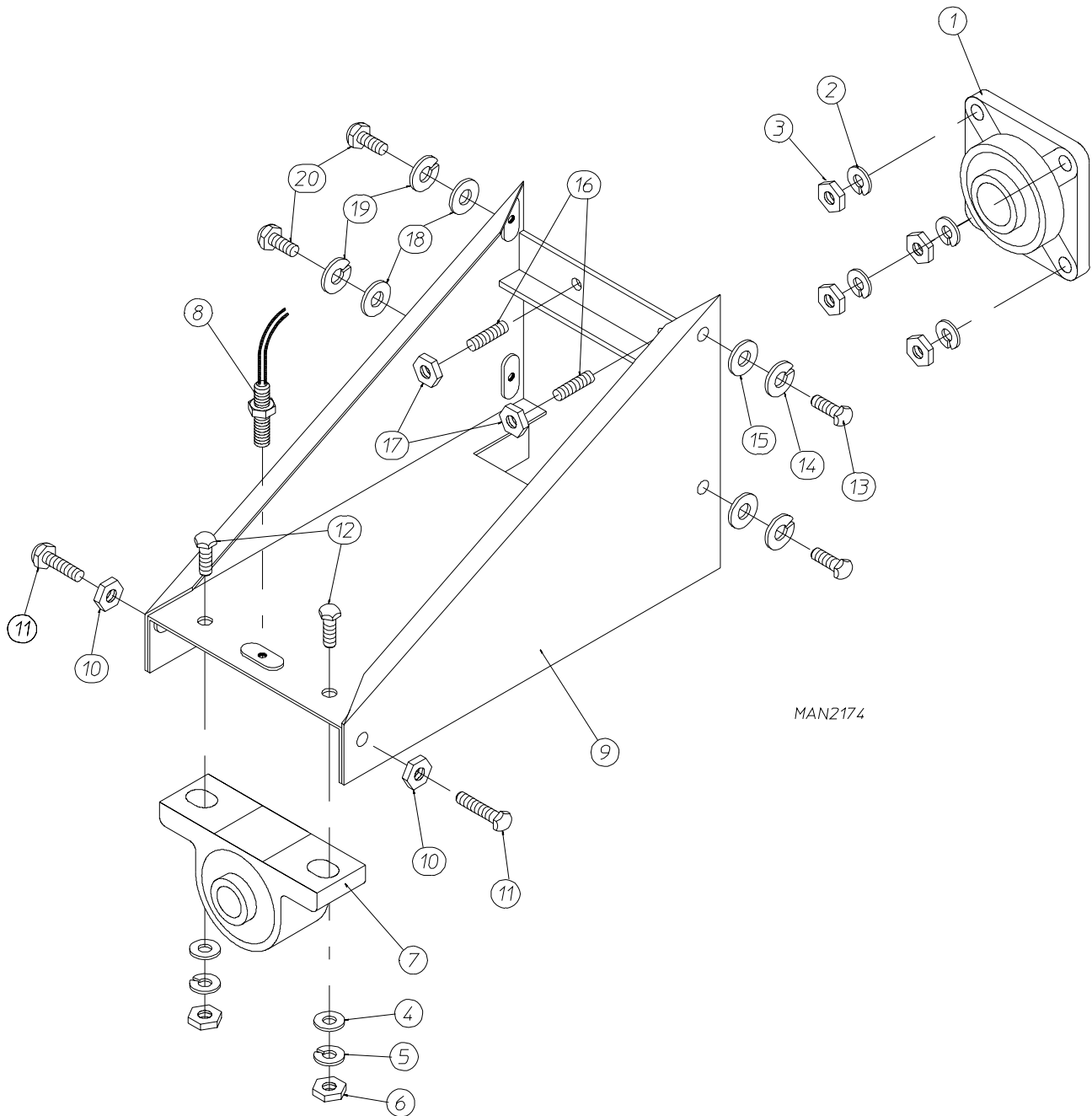


MAN2079

NOTE: DUPLICATE ALL COMPONENTS FOR LOWER TUMBLER/SUPPORT ASSEMBLY.

<u>Illus. No.</u>	<u>Part No.</u>	<u>Qty.</u>	<u>Description</u>
1	800831	1	Galvanized Basket (tumbler) and Support Assembly Complete with Felt Collar (includes illus. nos. 1 through 11)
	800721*	1	Galvanized Basket (tumbler) ONLY
	800891	1	Stainless Steel Basket (tumbler) and Support Assembly Complete with Felt Collar (includes illus. nos. 1 through 11)
	800841*	1	Stainless Steel Basket (tumbler) ONLY
2	301315	2	Short Galvanized Basket (tumbler) Rib ONLY
	301316	1	Tall Galvanized Basket (tumbler) Rib ONLY
	301414	2	Short Stainless Steel Basket (tumbler) Rib ONLY
	301415	1	Tall Stainless Steel Basket (tumbler) Rib ONLY
3	150518	1	5/16-18 x 3/8" Socket Button Head Screw
4	100902	3	5/16-18 x 31" Tie Rod
5	153001	3	5/16" Flat Washer
6	154210	30	5/32" x 3/16" Pop Rivet
7	800617	1	Basket (tumbler) Support ONLY
8	152004	3	5/16-18 Hex Nut
9	153002	3	5/16" Lock Washer
10	153001	3	5/16" Flat Washer
11	116003	1	Felt Collar ONLY
	401010	1	#847 Adhesive for Felt Collar (5 oz. tube)

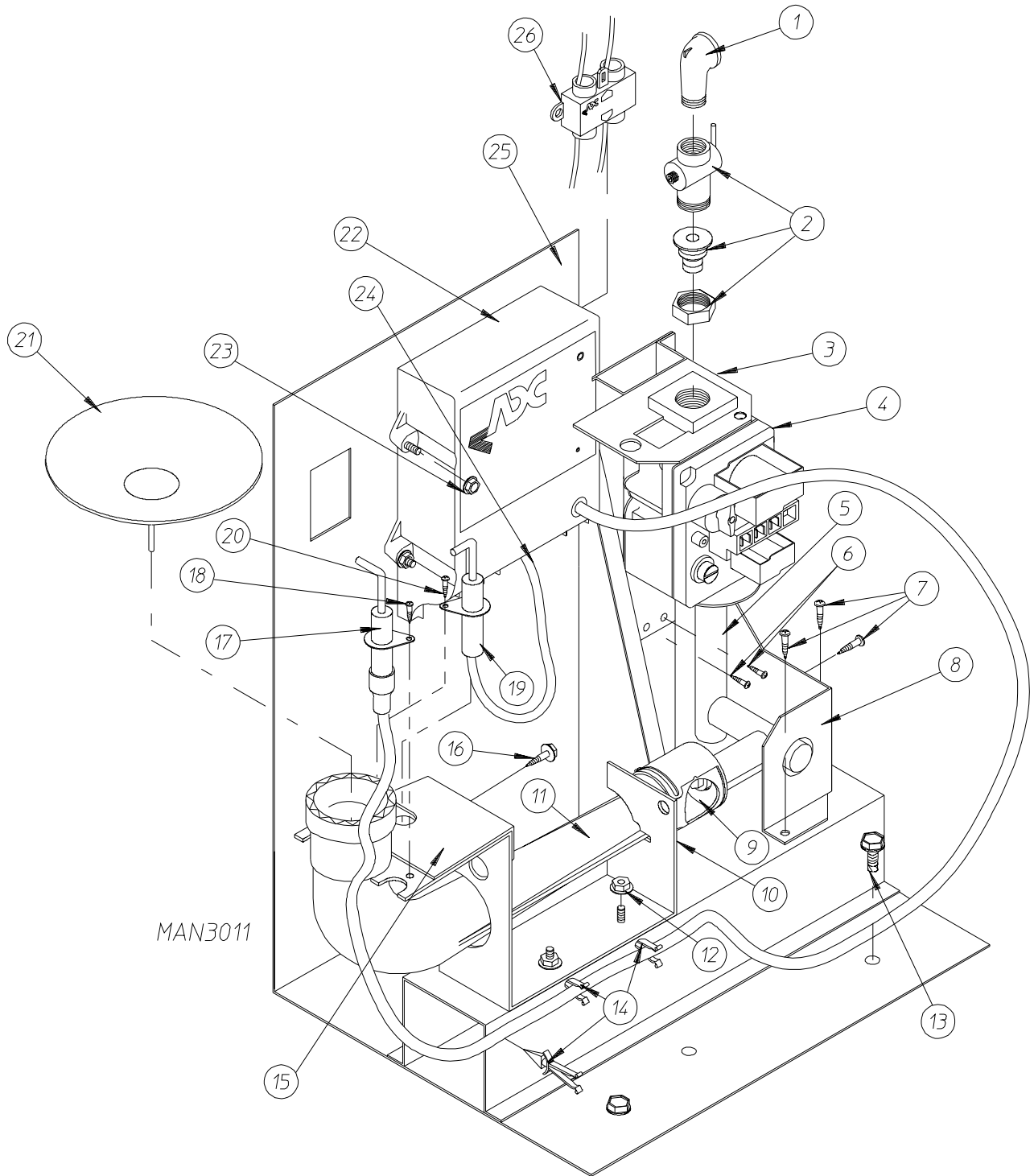
\* Felt collar *is not included* and **must be** ordered separately.





---

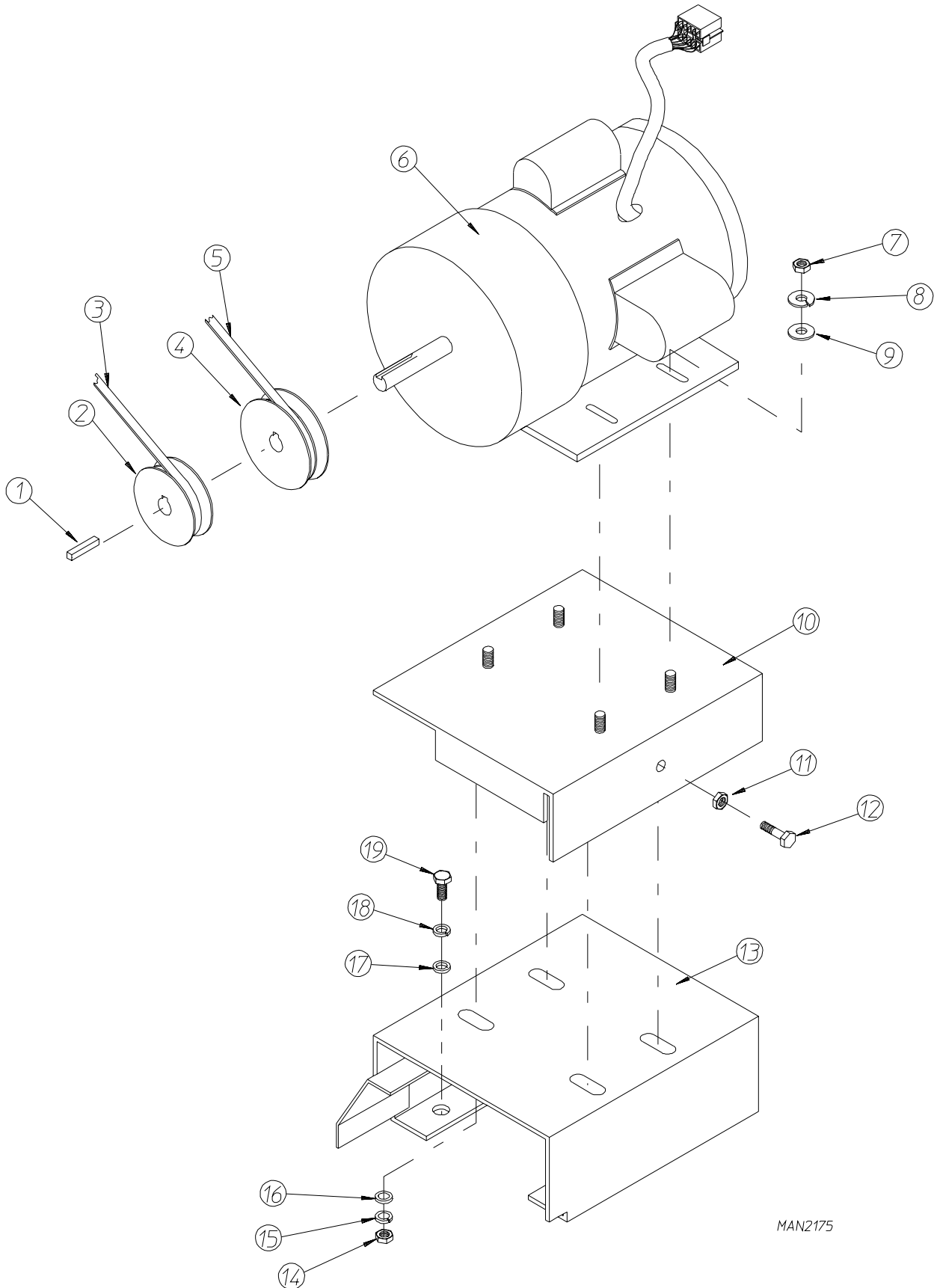
<u>Illus. No.</u>	<u>Part No.</u>	<u>Qty.</u>	<u>Description</u>
1	880203	1	1-3/8" Flange Bearing
	880938	1	Cone Point Setscrew Kit...Not Illustrated
2	153005	4	3/8" Lock Washer
3	152005	4	3/8-16 Hex Nut
4	153004	2	3/8" Flat Washer
5	153005	2	3/8" Lock Washer
6	152005	2	3/8-16 Hex Nut
7	880881	1	1-3/8" Pillow Block Bearing with Rotation Sensor Magnet
	880938	1	Cone Point Setscrew Kit...Not Illustrated
8	824807	1	Rotational Sensor Magnetic Switch Assembly
9	853040	1	Basket (tumbler) Bearing Support ONLY
10	152004	2	5/16-18 Hex Nut
11	150621	2	5/16-18 x 1-1/2" Hex Head Machine Bolt
12	150600	2	3/8-16 x 1-1/2" Hex Head Machine Bolt
13	150501	2	5/16-18 x 3/4" Hex Head Machine Bolt
14	153002	2	5/16" Lock Washer
15	153001	2	5/16" Flat Washer
16	150610	2	5/16-18 x 1-1/2" Allen Setscrew
17	152004	2	5/16-18 Hex Nut
18	153001	2	5/16" Flat Washer
19	153002	2	5/16" Lock Washer
20	150501	2	5/16-18 x 3/4" Hex Head Machine Bolt



<u>Illus. No.</u>	<u>Part No.</u>	<u>Qty.</u>	<u>Description</u>
1	142502	1	1/2" x 3/4" Street Elbow
2	881372	1	1/2" F.P.T. Straight Shutoff Assembly (with tailpiece and collar)
3	318713	1	Gas Valve Bracket
4	128927	1	1/2" 24 VAC (natural gas) Gas Valve
	880960	1	1/2" 24 VAC (liquid propane [L.P.] gas) Gas Valve
	140411	1	Liquid Propane (L.P.) Gas Conversion Kit
5	141204	1	1/2" Single Port Manifold
6	150301	2	#8-18 x 7/16" Phillips Pan Head TEK Screw
7	150301	3	#8-18 x 7/16" Phillips Pan Head TEK Screw
8	353152	1	Manifold Bracket
9*	140835	1	#9 Burner Orifice (natural gas)
	140855	1	#33 Burner Orifice (liquid propane [L.P.] gas)
10	318009	1	Burner Tube Bracket
11	141130	1	Upshot Burner Tube
12	151001	2	#8 Pal Nut
13	150309	2	#10-16 x 1/2" Hex Head TEK Crimptite Screw
14	102600	3	Retainer
15	353099	1	Burner Bracket Cover
16	150300	1	#10-16 x 1/2" Hex Washer TEK Screw
17	128917	1	Spark Electrode with High Voltage (HV) Wire
18	150315	1	#6 x 3/8" Phillips Pan Head Screw
19	128918	1	Flame Sensor Probe ONLY
20	150315	1	#6 x 3/8" Phillips Pan Head Screw
21	141109	1	Burner Spreader ONLY
22	880815	1	Direct Spark Ignition (DSI) Module
23	151000	4	#6 Pal Nut
24	881360	1	Flame-Probe 18" Harness ONLY
25**	881183	1	Burner Assembly (natural gas) Complete Less Orifice (includes illus. nos. 1 through 8, 10 through 12, and 14 through 24)
	881184	1	Burner Assembly (liquid propane [L.P.] gas) Complete Less Orifice (includes illus. nos. 1 through 8, 10 through 12, and 14 through 24)
26	880869	1	CorCom Filter Kit
	881119*	1	Liquid Propane (L.P.) Conversion Kit (includes parts to convert both top and bottom baskets [tumblers])

\* Consult the factory for elevations over 2,000 feet.

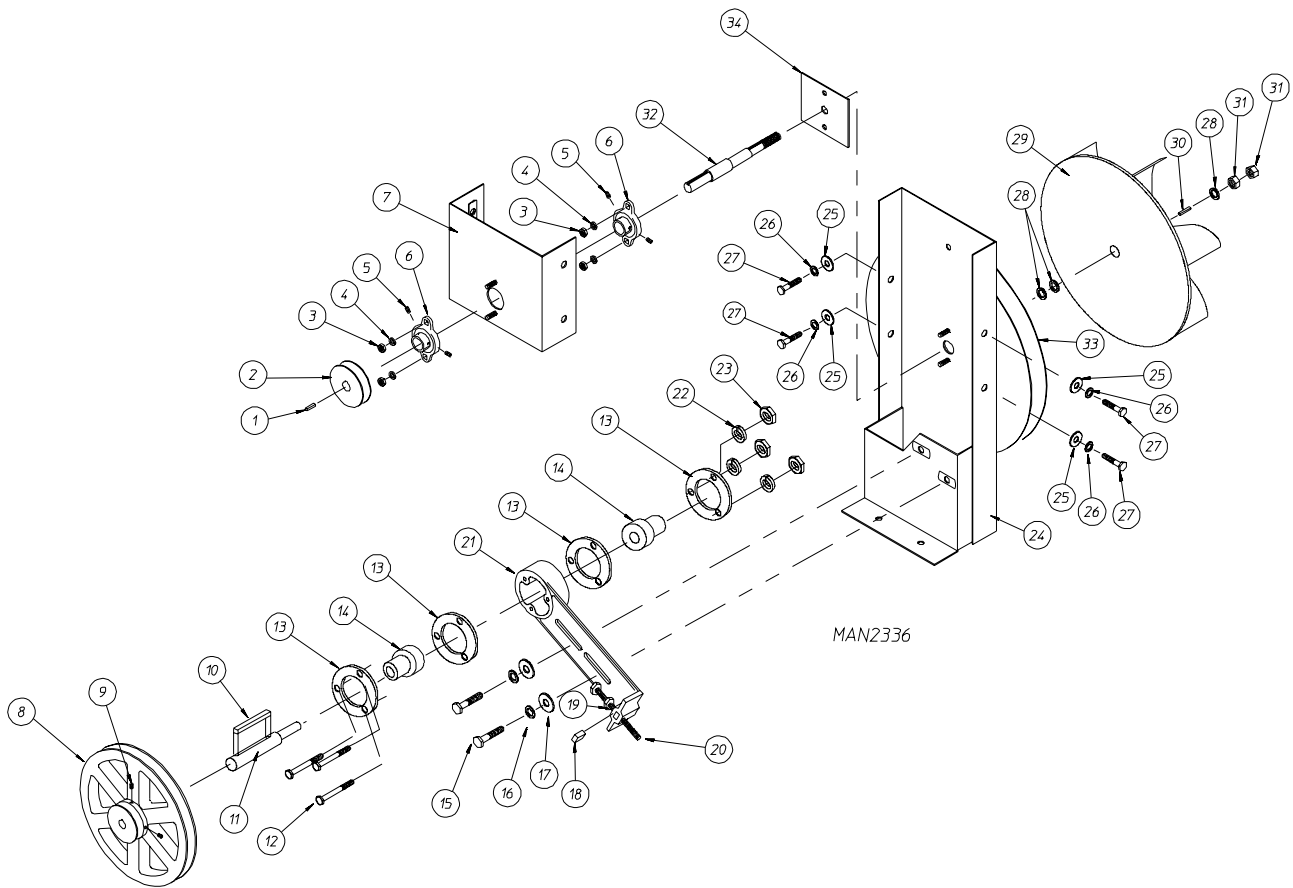
\*\* Burner orifice *is not included* and **must be** ordered separately.



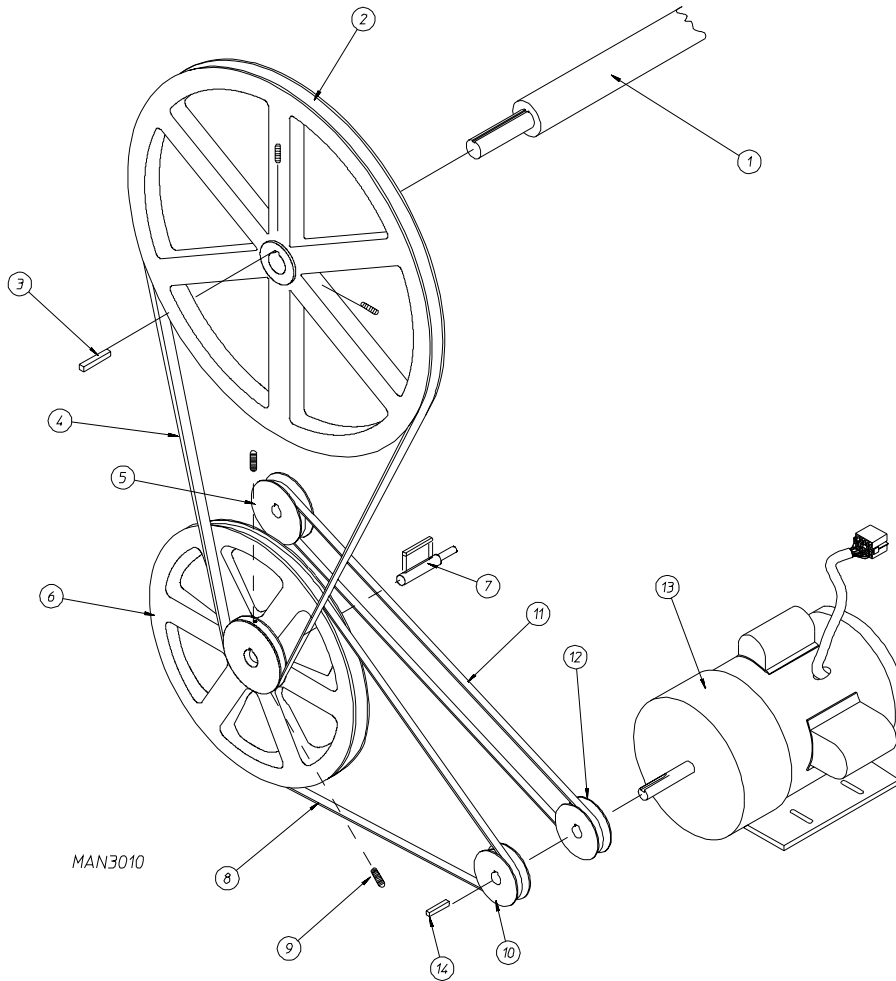
MAN2175

<u>Illus. No.</u>	<u>Part No.</u>	<u>Qty.</u>	<u>Description</u>
1	100718	1	3/16" x 3/16" x 2-1/4" Key (for models mfd. as of January 23, 1996)
	100705	1	3/16" x 3/16" x 1-3/8" Key (for models mfd. prior to January 23, 1996)
2	101205	1	2.6" OD x 5/8" ID Pulley
3	100171	1	4L-440 V-Belt
4	101207	1	3.0" OD x 5/8" ID Pulley
5	100156	1	5L-330 V-Belt
6	181022	1	3/4 hp 115/230v 1ø 60 Hz Motor (for models mfd. as of December 17, 1995)
	881303*	1	3/4 hp 115/230v 1ø 60 Hz Motor (for models mfd. prior to December 17, 1995)
7	152004	4	5/16-18 Hex Nut
8	153002	4	5/16" Lock Washer
9	153001	4	5/16" Flat Washer
10	853087	1	Motor Mount Slide Mount Assembly ONLY
11	152005	1	3/8-16 Hex Nut
12	150601	1	3/8-16 x 2" Hex Bolt
13	853042	1	Motor Base Assembly ONLY
14	152004	4	5/16-18 Hex Nut
15	153002	4	5/16" Lock Washer
16	153001	4	5/16" Flat Washer
17	153001	4	5/16" Flat Washer
18	153002	4	5/16" Lock Washer
19	150501	4	5/16-18 x 3/4" Hex Head Machine Bolt
	881096	1	115/230v 1ø 60 Hz Drive Motor Mount Assembly Complete... Not Illustrated (includes illus. nos. 1, 2, 4, and 6 through 16)

\* Part includes motor mount slide assembly (illus. no. 10), which is necessary for installation.

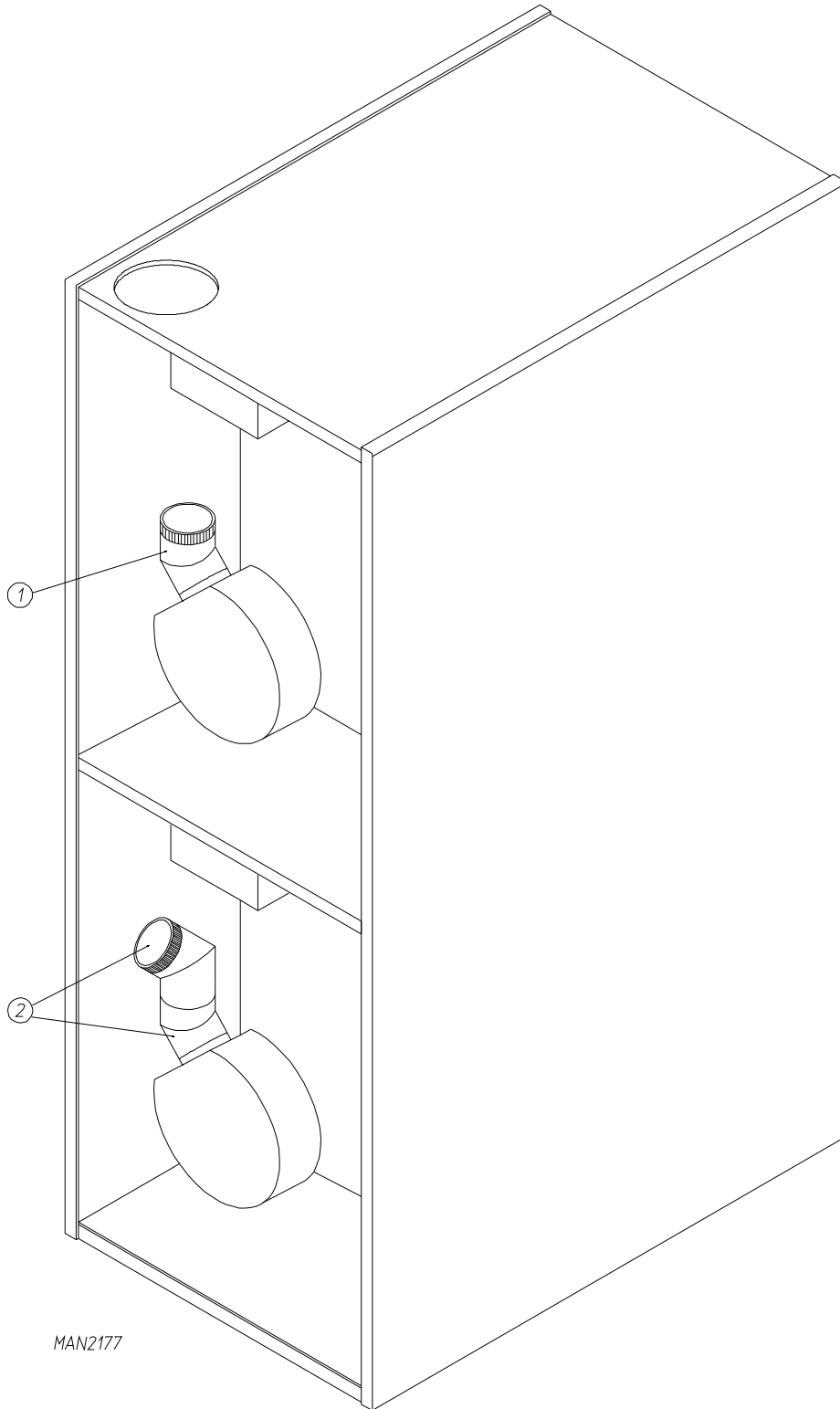


<u>Illus. No.</u>	<u>Part No.</u>	<u>Qty.</u>	<u>Description</u>
1	100701	1	3/16" x 3/16" x 1" Key
2	101206	1	2.8" OD x 5/8" ID Pulley
3	152002	4	1/4-20 Hex Nut
4	153007	4	1/4" Lock Washer
5	154324	4	#10-32 x 1/4" Cone Point Setscrew
6	881361	2	5/8" Flange Bearing
7	881225	1	Fan (impellor) Bearing Mount ONLY
8	101129	1	9" Pulley
9	154301	2	5/16-18 x 5/16" Allen (cone point) Setscrew
10	100705	1	3/16" x 3/16" x 1-3/8" Key
11	301850	1	Idler Shaft
12	150529	3	1/4-20 x 2-1/4" Carriage Bolt
13	-----	4	Flanges (part of part no. 100214 bearing)
14	100214	2	5/8" Flange Bearing
15	150617	2	3/8-16 x 1" Hex Head Machine Bolt
16	153005	2	3/8" Lock Washer
17	153004	2	3/8" Flat Washer
18	152020	1	5/16-18 Square Nut
19	152004	1	5/16-18 Hex Nut
20	150509	1	5/16-18 x 3" Hex Head Machine Bolt
21	801008	1	Cast Idler Assembly Complete (includes illus. nos. 10 through 23)
	100406	1	Cast Idler Bearing Mount Assembly
22	153007	3	1/4" Lock Washer
23	152002	3	1/4-20 Hex Nut
24	881226	1	Fan (impellor) Mount ONLY (includes illus. no. 33)
25	153004	4	3/8" Flat Washer
26	153005	4	3/8" Lock Washer
27	150508	4	3/8-16 x 3/4" Hex Head Machine Bolt
28	153050	3 or 4	1/2" x 1-1/16" Flat Washer
29	100604	1	12-1/2" Fan (impellor)
30	100723	1	1/8" x 1/8" x 1-3/8" Key
31	152006	2	1/2-20 Left Hand Jam Nut
32	353111	1	Fan Shaft
33	117600	3	Noise Suppression Tape (sold by the foot)
34	116011	1	3-1/2" x 4" Felt Bearing Seal



<u>Illus. No.</u>	<u>Part No.</u>	<u>Qty.</u>	<u>Description</u>
1	-----	1	Basket (tumbler) Support (refer to <b>Basket [Tumbler]/Support Assembly on page 28 and page 29</b> )
2	101100	1	18" Pulley (basket [tumbler])
	154301	2	5/16-18 x 5/16" Allen (cone point) Setscrew...Not Illustrated
3	100713	1	1/4" x 1/4" x 7/8" Key
4	100106	1	5L-690 V-Belt
5	101206	1	2.8" OD x 5/8" ID Pulley
6	101129	1	9" x 2-1/2" Compound Pulley
7	-----	1	Idler/Shaft Assembly (refer to <b>Fan [Impellor]/Idler Bearing Assembly [60 Hz] on page 36 and page 37</b> )
8	100171	1	4L-440 V-Belt
9	154301	2	5/16-18 x 5/16" Allen Cone Point Setscrew
10	101205	1	2.6" OD x 5/8" ID Pulley
11	100156	1	5L-330 V-Belt
12	101207	1	3.0" OD x 5/8" ID Pulley
13	-----	1	Motor/Mount Assembly (refer to <b>Drive Motor Mount Assembly [60 Hz] on page 34 and page 35</b> )
14	100718	1	3/16" x 3/16" x 2-1/4" Key



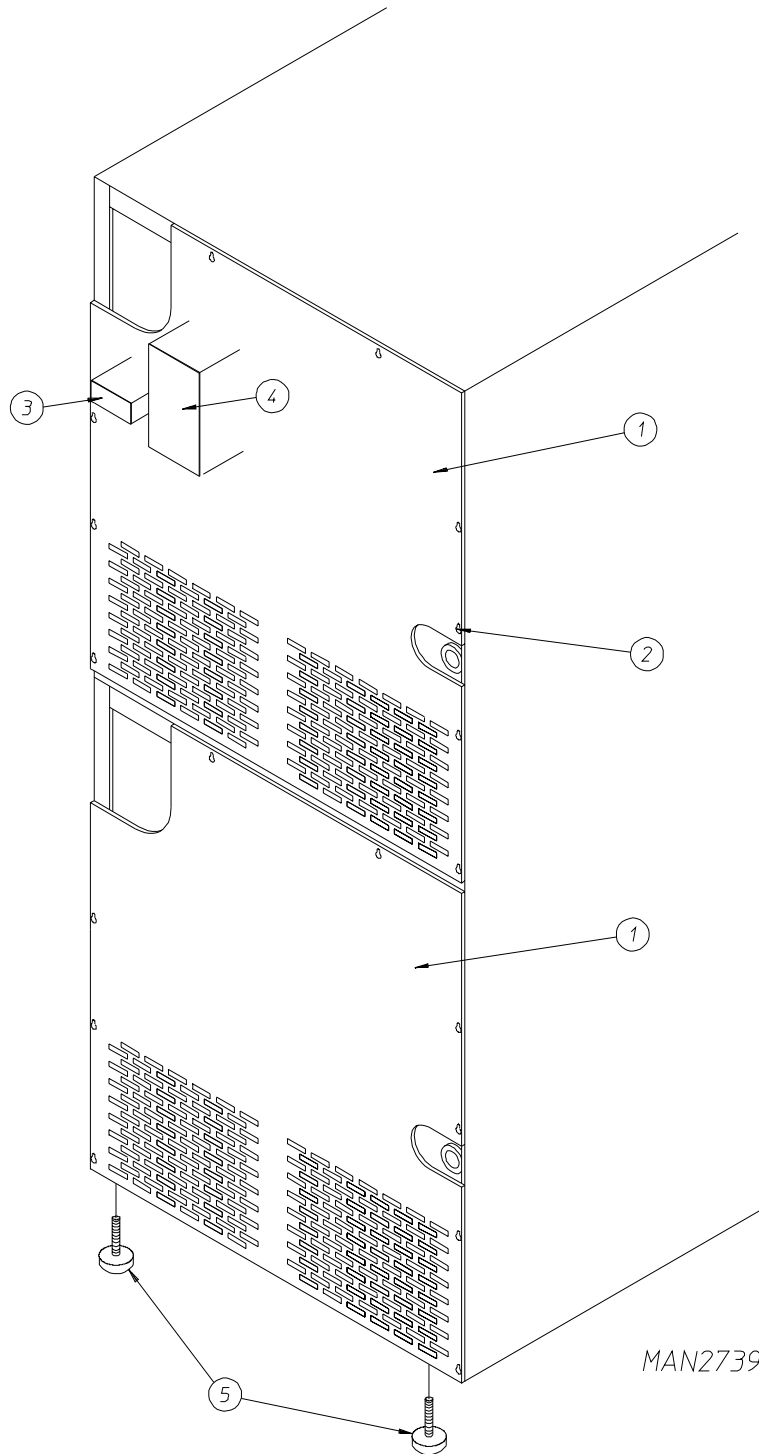


MAN2177

---

<u>Illus. No.</u>	<u>Part No.</u>	<u>Qty.</u>	<u>Description</u>
1	143536	1	6" x 45° Elbow
2	143536	2	6" x 45° Elbow
	117505	6	Duct Tape (sold by the foot)...Not Illustrated
	881373	1	6" x 45° Elbow with 6" Damper...Not Illustrated

---



<u>Illus. No.</u>	<u>Part No.</u>	<u>Qty.</u>	<u>Description</u>
1	353147	2	Upper and Lower Back Guard
2	150301	14	#8-18 x 7/16" Phillips Pan Head TEK Screw
3	112041	1	Caution - Exhausted Label
4	112086	1	Installation Instruction Label
5	103500	4	Leveling Leg (for models mfd. as of May 1996)

---

<u>Part No.</u>	<u>Description</u>
112183	Installation/Operator's Manual
112533	Phase 5 Coin "PROGRAM LOCATION SUMMARY" Label
117505	Aluminum Duct Tape (sold by the foot)
120903	Closed End Connector (crimp-on wire nut)
121026	Tab Receptacle Combination
121495	4" Wire Tie
121500	8" Wire Tie
122804	Manometer (used to measure gas pressure)
170730	Gray Main Door Glass/Gasket Adhesive (10.3 oz. cartridge)
170731	Black Main Door Glass/Gasket Adhesive (10.3 oz. cartridge)
401010	#847 Adhesive (5 oz. tube) for Adhering Felt to Basket (tumbler) Assembly
404502	White Brush-In-Cap Touch-Up Paint (0.6 oz. bottle)
404506	Beige Brush-In-Cap Touch-Up Paint (0.6 oz. bottle)
404507	Cornflower Blue Brush-In-Cap Touch-Up Paint (0.6 oz. bottle)
410001	1/2" Allen Wrench (used to remove gas valve brass tailpiece)
880200	Electrical Terminal (assortment) Kit
881119*	Liquid Propane (L.P.) Conversion Kit (includes parts to convert both top basket [tumbler] and bottom basket [tumbler] to liquid propane [L.P.] gas)
881299	Loctite Kit (includes two [2] 0.02 oz. tubes of #290 wicking loctite)

\* Consult factory for elevations over 2,000 feet.

ADC 450308

1 - 11/04/95-100

4 \* 10/24/96-100

7 - 03/16/01-25

2 \* 02/09/96-100

5 \* 12/05/96-100

8 - 02/03/03-10

3 \* 09/27/96-100

6 - 09/28/00-25

9 \* 01/06/04-1

