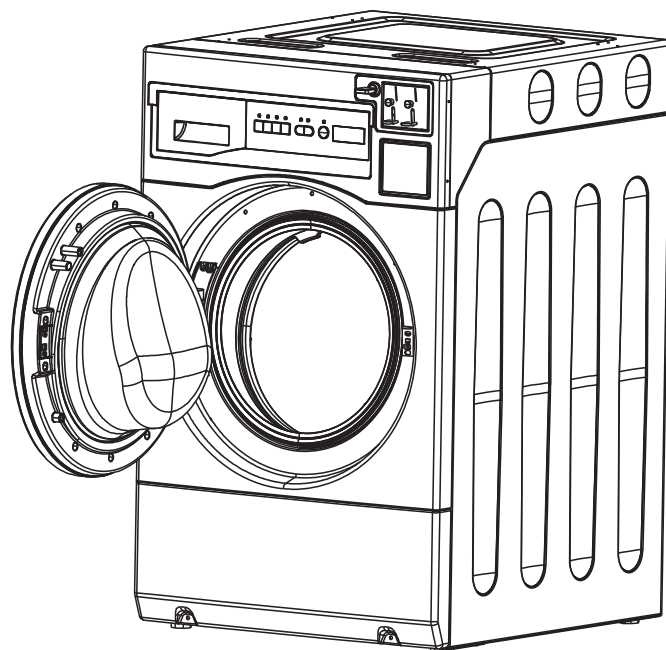


ENCORE

by **Wascomat**

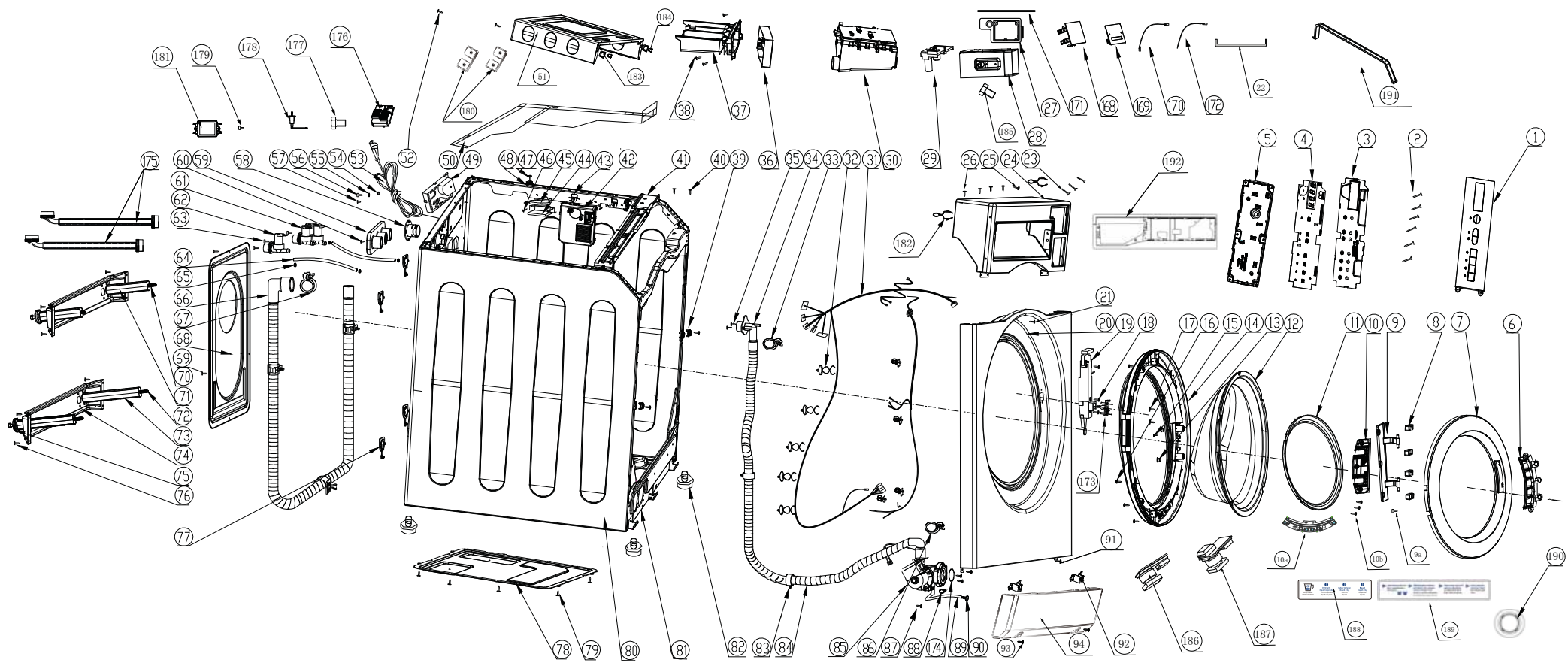


MODEL NO. WHLFP715M

WASHER SPARE PARTS MANUAL

DOC. NO. 098016
EDITION 31.2018

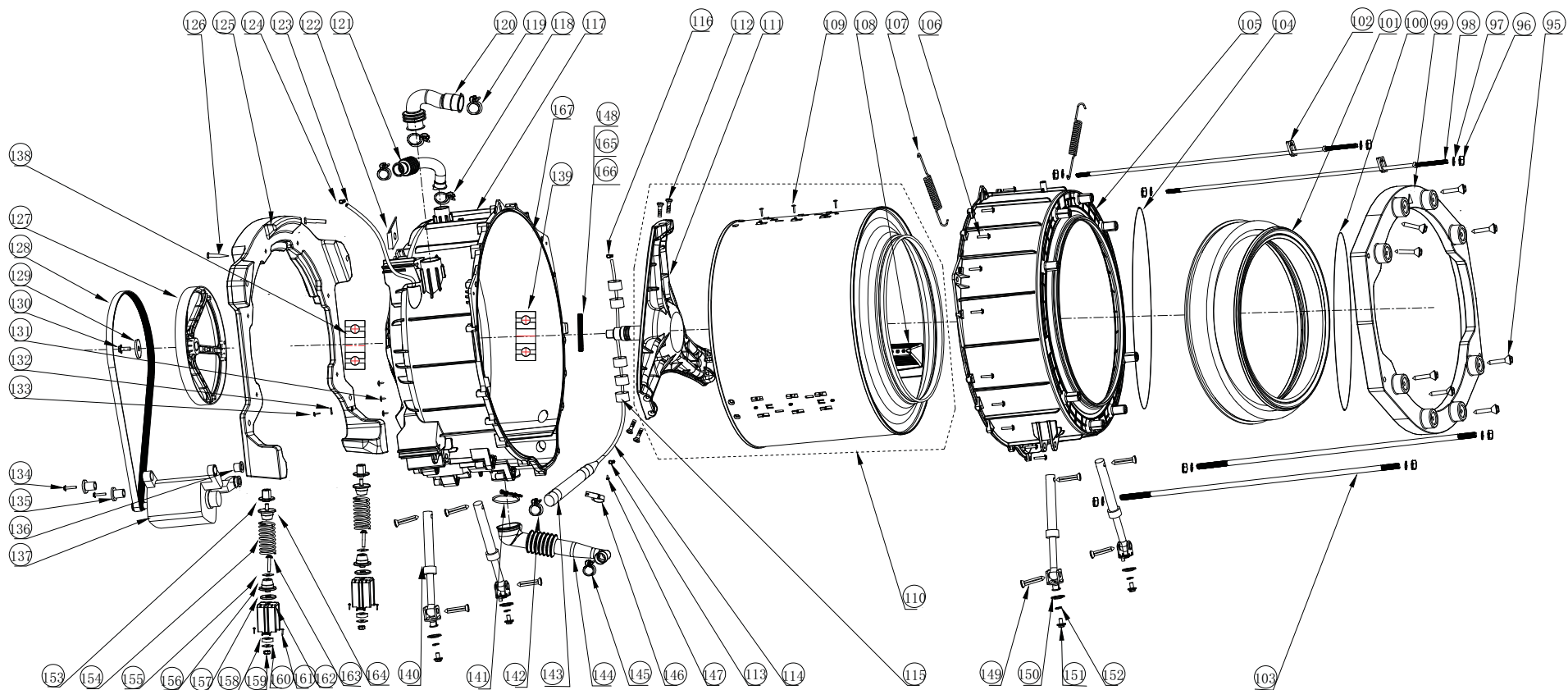
Laundrylux



CHASSIS ASSEMBLY

CHASSIS VIEW				
Item #	Qty	Part #	Description	Remarks
1	1	0020808698C	ASSY,FRONT CONTROL PLATE W/LENS & BUTTONS	See Item #189 for label. Encore only.
2	6	00216910320111A	SCREW,ST3.5X11	
3	1	0020203390	COVER,MAIN BOARD-INNER	
4	1	0021800078B	CIRCUIT-BOARD, WASHER DISPLAY	Encore only.
5	1	0020203389	COVER, DISPLAY REAR	
6	1	0020203385A	HANDLE,DOOR	Encore only.
7	1	0020204528	DOOR,OUTER (FRAME) WASHER	Encore only.
8	4	0020201212	BUSHING,DOOR HINGE	
9	1	0020100656	HINGE,DOOR	
9a	4	0020600357	SCREW, DOOR HINGE W/LOCKWASHER	Attaches door hinge (Item #9) to front panel (Item #20) includes lock washer.
10	1	0020203395	BRACKET,HINGE-INNER	
10a	1	0020100722	PLATE,HINGE DOOR	Mounts on Inner door (Item #14).
10b	11	216910320111A	SCREW,ST3.5X112	Attaches Hinge Plate (Item #10a) to Inner Door (Item #14).
11	1	0020203384B	LENS, DOOR-SMOKED	Encore only.
12	1	0021400101	GLASS,DOOR	
13	2	0020300740	PLUG,RUBBER	
14	1	0020203383A	DOOR,INNER	
15	2	0020600029	SCREW,	
16	11	00330810035	SCREW,DOOR FRAME	
17	2	0020600291	SCREW,DOOR CATCH	
18	3	0020600029	SCREW,	
19	1	0020800826	DOORLOCK	
20	1	0020809422F	PANEL,FRONT GREY	Secured by screws (Item #91). Encore only.
21	3	0020600104	SCREW,PUMP ACCESS COVER	
22	1	0020205711A	SEAL,WATER, TOP PANEL	Water barrier for Control Console (Item #24). Encore only.
23	3	0020600100	SCREW	
24	1	0020809617F	PANEL,CONTROL	Encore only.
25	2	00216910320111A	SCREW,ST3.5X112	
26	4	0020600179	SCREW,	
27	1	0020101339	PANEL,PAYMENT MOUNTING	See Item 27a for lock and key. Encore only.
27a	1	080049	LOCK,W/KEY-WE16/X-OVER SVC DOOR-RMK	Lock and key for Payment Panel, (Item #27).
28	1	0020807298D	HOUSING,COIN VAULT	
29	1	0020203370	INSERT,SIPHON SOAP BOX	
30	1	080811	KIT,HOUSING DISPENSER W/PLUG	Includes softener compartment Plug (Item #190). Encore only
31	1	0020400145K	HARNES,MAIN	Encore only.
32	7	00215200015200A	SUPPORT,HARNES	
33	1	00218210220611A	CLAMP,DRAIN HOSE	
34	1	0020203917	FITTING,DRAIN ELBOW & OUTLET	
35	2	0020600029	SCREW,	
36	1	0020203381A	HANDLE, SOAP BOX, W/O LABEL	See Item #188 for label. Encore only.
37	1	0020203369	DRAWER,DISPENSER	
38	3	0020600029	SCREW,	
39	2	0020202844	CLIP,GUIDE PIN	Encore only.
40	4	0020600179	SCREW,	
41	1	0020101337	BRACKET, TOP FRONT	Encore only.
42	1	0024000266A	DELAY-UNIT,DOOR POWER FAILURE	
43	2	00214800503000	BUSHING,UPPER SPRING SUPPORT	
44	1	0020201704	BRACKET,LEVEL SENSOR MOUNTING	
45	1	0020400434	LEVEL-CONTROL	
46	2	00217030330111A	SCREW,LEVEL SENSOR MOUNT	
47	6	02-0085104006	SCREW, TOP PANEL LOCKING CLIP	
48	6	0020202844	CLIP,GUIDE PIN	Encore only.
49	1	0024000271	INVERTER	
50	2	0020200546	COVER,WATER SHIELD	
51a	1	0020809423F	PANEL, DRYER MOUNTING	Adapter plate for mounting dryer. Included with dryer-over-washer models. Encore only.
51b	1	0020809423G	PANEL, TOP	Encore only.
52	2	0020600205	SCREW, TOP PANEL T15 TORX, SECURITY	
53	1	0020400196T	HARNES,MAIN POWER CORD W/PLUG	Encore only.
54	2	00330804002	NUT, M5	
55	2	00330806003	WASHER,GROUND TERMINAL	
56	2	00330804001	SCREW,GROUNDING	
57	1	00216910150111A	SCREW,POWER CORD	
58	1	0020203919	COVER,VENT	
59	1	0020203396	PLATE,LIQUID SUPPLY TUBE ENTRY	
60	2	00216910150111A	SCREW,POWER CORD	
61	1	0024000126C	VALVE,INLET COLD	
62	1	0024000972	VALVE,INLET HOT	
63	4	00216920110008A	SCREW	
64	3	0020300762	HOSE,PREWASH/SOFTENER	
65	8	0020600086A	CLAMP,HOSE	
66	1	0020300148	HOSE,DRAIN	
67	1	0020600050A	CLAMP,DRAIN HOSE	
68	1	0020810817	PANEL,REAR	
69	4	00216910320111A	SCREW,ST3.5X112	
70	2	0020600288	BOLT,TRANSPORT UPPER	
71	2	0020203922	SLEEVE,TRANSPORT BOLT UPPER	
72	2	0020600289	BOLT,TRANSPORT LOWER	
73	2	0020203923	SLEEVE,TRANSPORT BOLT LOWER	
74	2	0020103172	BRACKET,TRANSPORT	
75	4	0020103173	WASHER,TRANSPORT BOLT	
76	8	0020600179	SCREW,	
77	4	0020203924	COVER,TRANSPORT HOLE	
78	1	0020103168	PLATE,BOTTOM	
79	8	00216910320111A	SCREW,ST3.5X11	
80	1	0020103160F	CABINET	Encore unibody chassis not available separately. Shown for reference only.
81	2	0150600022	SCREW	
82	4	0020300170C	FOOT, LEVELING	
83	3	00215200004402	CLIP,DRAIN HOSE	
84	1	0020300377	HOSE,DRAIN (INNER)	

85	1	0024000322	PUMP,120/60 DRAIN	Includes pump filter but not pump feet (Items #186 and 187).
86	1	00211320024000A	CLAMP,DRAIN HOSE TO PUMP	
87	2	0020600029	SCREW,	
88	1	002-0030100700	CLAMP,BLEEDER HOSE	
89	1	0020300727	HOSE,BLEEDER	
90	1	0020203918	PLUG,BLEEDER HOSE	
91	2	0150600022	SCREW,	Secures Front Panel (Item #20).
92	2	0020100964	BRACKET, TOE PANEL	Encore only.
93	2	0150600022	SCREW, HEX HEAD	
94	1	0020100986E	PANEL,TOE GRAY	Encore only.
168	1	0020205426A	PLATE,BLOCK COIN-BOX	Encore only.
169	1	0020205427A	PLATE,CARD READER	Encore only.
170	1	0020400145D	HARNESS,LIQUID SUPPLY	Harness included with 096445 KIT
171	1	0020300316C	GASKET, PAYMENT PANEL	Encore only.
172	1	0020400145C	HARNESS,PRICE REDUCTION	Harness included with 096501 KIT,PRICE RED-MACHINE
173	1	0020203932	CATCH,DOOR WASHER	
174	1	0020300874	GASKET,PUMP STRAINER	
175	2	20300110	HOSE,INLET (SINGLE PC)	HOT/COLD Inlet hose 3/4" GH Female, supply-side -- 20mm BSP Female, machine side (one hose).
176	1	0020202970	COVER,DOORLOCK DELAY UNIT	
177	3	0020600169	BOLT,COIN VAULT & METER HOUSING	
178	1	0034000710	ASSY,S2 SERVICE MODE SWITCH W/BRACKET	
179	2	0020600104	SCREW	
180	2	0020101338	BRACKET,PANEL-TOP, REAR-SECURING	Secures top panel # 51b to chassis (Item #80), Encore only.
181	1	0024000973A	FILTER,EMI	
182	2	00330307012	CLIP, TOP-COVER, FRONT-SECURING.	Encore only.
183	2	0020202923	LATCH	Encore only.
184	2	0020102858A	PIN, LATCH	Encore only.
185	1	00330812004A	BOLT, M6x20	Secures top panel # 51b to Control Panel (Item #24).
186	1	0020300615A	FOOT,PUMP REAR	Used with Pump, Item #85 (qty. 1 required)
187	2	0020300615B	FOOT,PUMP LEFT-RIGHT	Used with Pump, Item #85 (qty. 2 required)
188	1	0020508291	LABEL,DISPENSER HANDLE	Label for Item #36, Encore only.
189	1	0020508290	LABEL, CONTROL PANEL	Label for Item #1, Encore only.
190	1	0020300740	PLUG, SOFTENER HOUSING DISPENSER	Included with 080811 KIT,HOUSING DISPENSER (Item #30)
191	1	0020205711A	SEAL,WATER,TOP PANEL	
192	1	0020205425A	CONSOLE.DISPLAY MOUNTING	Mounts in item #24



DRUM ASSEMBLY

DRUM				
Item #	Qty	Part #	Description	Remarks
95	8	0020600207	SCREW,FRONT COUNTERWEIGHT	
96	8	0020600175	NUT,M12	
97	8	0020600174	WASHER,M12 LOCK	
98	2	0020100718	ROD,DRUM TRANSIT UPPER	
99	1	0020100707	COUNTERWEIGHT,FRONT	
100	1	0020600284	CLAMP,BELLOWS OUTER	Use tool 096438 BOOT SPRING to install.
101	1	0020300692BLK	GASKET, DOOR (BELLOWS)-BLACK	
102	2	0020100717	CLIP,SPRING SUPPORT	
103	2	0020100719	ROD,DRUM TRANSIT LOWER	
104	1	0020600196	CLAMP,BELLOWS INNER	
105	1	0020203916B	DRUM,OUTER FRONT HALF	
106	18	00330812067	SCREW,TUB	
107	2	0020600263B	SPRING,UPPER SUSPENSION	
108	3	0020203950	LIFTER,INNER DRUM	
109	9	0020600164	SCREW,LIFTER	
110	1	0020807649	ASSY, INNER DRUM W SPIDER & SF BUSHING	
111	1	0020804138B	ASSY,DRUM SUPPORT AND SHFT W/ SF BUSHING	
112	6	00215000036000	BOLT,DRUM SHAFT ATTACHMENT	
113	1	00211320015200A	CLAMP,AIR TRAP LEVEL HOSE	
114	1	00214401362902A	HOSE,LEVEL SENSOR	
115	8	00212500011100	CUSHION,LEVEL HOSE	
116	1	00218210650611A	CLAMP,LEVEL SENSOR HOSE	
117	1	0020807310	DRUM,OUTER REAR HALF (NO BEARINGS OR SEALS)	
118	2	0020600138	CLAMP,DRUM FILL HOSE	
119	2	00218230460611A	CLAMP,DRUM FILL HOSE	
120	1	0020300730A	HOSE,DRUM FILL	
121	1	0020300731	HOSE,DRUM VENT	
122	6	0020100071	PLATE,REAR WEIGHT ATTACHMNT	
123	1	0020300732	HOSE,ANTI-SIPHON	
124	2	00211320015200A	CLAMP,AIR TRAP LEVEL HOSE	
125	1	0020100708	COUNTERWEIGHT,REAR	
126	6	00330812013A	BOLT,REAR WEIGHT FASTENING	
127	1	0020100657	PULLEY,DRUM	
128	1	0020300174	BELT,WASHER	
129	1	0020600287	WASHER,PULLEY	
130	1	0020600286	BOLT,PULLEY	
131	3	0020600155	SCREW,GROUNDING	
132	1	00217470300611A	TERMINAL,GROUNDING	
133	1	0020600179	SCREW,	
134	2	00215100001000	SCREW,MOTOR MOUNTING	
135	2	0020202717	SPACER,MOTOR	
136	2	0020300466	BUSHING,MOTOR MOUNT	
137	1	0024000974	MOTOR,120/60	
138	1		BEARING,FRONT	Included with 096616 or 096725 kits.
139	1		BEARING,REAR	Included with 096616 or 096725 kits.
140	4	0020804252A	SHOCK-ABSORBER	
141	1	00297023000100A	CLAMP,DRUM TO PUMP HOSE (DRUM)	
142	1	00211320011300A	CLAMP,AIR TRAP	
143	1	00217400046900	CHAMBER,AIR	
144	1	0020300726	HOSE,DRUM TO PUMP	
145	1	00215200294400A	CLAMP,DRUM TO PUMP (PUMP)	
146	1	00215200032905	CLIP,AIR TRAP	
147	1	00216910150111A	SCREW,POWER CORD	
148	1		SEAL,LARGE	Included with 096616 or 096725 kits.
149	8	0020202225	PIN,SHOCK MOUNTING	
150	4	00215000035200	WASHER,SHOCK SUPPORT	
151	4	00217440540612	LOCKWASHER,SHOCK SUPPORT	
152	4	00215000002804A	BOLT,SHOCK SUPPORT	
153	2	0020300758	BUSHING,SPRING TOWER UPPER	
154	2	0020600233	SPRING,SUSPENSION-LOWER REAR	
155	2	00215000014200A	WASHER,M8	
156	2	0020203359	BUSHING,SPRING LEADER LOWER	
157	2	0020300756	GASKET,SPRING TOWER UPPER	
158	2	0020300757	GASKET,SPRING TOWER LOWER	
159	2	0021500000001A	NUT,M8	
160	2	00215000014200A	WASHER,M8	
161	6	00215000002804A	BOLT,SHOCK SUPPORT	
162	2	0020100743	BRACKET,SPRING SUPPORT	
163	2	0020100269A	BOLT,SPRING BUSHING	
164	2	0020203358	BUSHING,SPRING LEADER UPPER	
165	1		SEAL,KEYED MIDDLE	Included with 096616 or 096725 kits.
166	1		SEAL,SMALL	Included with 096616 or 096725 kits.
167	1	0020300723	GASKET,OUTER DRUM	Also included with 096616 or 096725 kits.

MISCELLANEOUS		
Part #	Description	Remarks
080812	KIT,ESD COINBOX	COINBOX, ESD 8" deep w/cap.
080814	KIT,GREENWALD COINBOX	COINBOX, GREENWALD 8" deep w/cap
080905	KIT,COIN-DROP,MUNZ UQ	U.S.
080906	KIT,COIN-DROP,MUNZ UQD DUAL	U.S.
080907	KIT,COIN-DROP,MUNZ CQ	Canadian.
080908	KIT,COIN-DROP,MUNZ CQL DUAL	Canadian.
471209485	ADAPTER,20 BSPF TO 3/4 GHTM	
096438	TOOL,BOOT SPRING	Tool to install Outer Bellows clamp (Item #100).
0020100654	TOOL,FOOT LOCKNUT	Included in drum kit.
096501	KIT,PRICE RED-MACHINE	1 kit required per machine Not required if using buit-in Real Time Clock.
096496	KIT,PRICE RED-LOCATION	Includes clock to control relays, 1 kit required per location Not required if using buit-in Real Time Clock.
096445	KIT,LIQUID SUPPLY	External liquid supply kit.
096725	KIT,BEARING REPLACEMENT WITH SHAFT S	Bearing kit with shaft and Seal Face Bushing.
096616	KIT,SEAL REPLACEMENT	Bearing kit without shaft and Seal Face Bushing.
098019	TOOLS,BEARING REPLACEMENT	Tools for bearing replacement.
098019W	KIT,TOOLS BEARING REPLACEMENT	Rental Kit
0020507838	LABEL,LEAVE DOOR OPEN WHEN NOT IN US	Mounts on top of Outer Door (Item #7)
0020504605	LABEL,ELECTRICAL SHOCK HAZARD, DOOR	
0020504609	LABEL,FIRE HAZARD,DOOR	
0020506863	LABEL,HAND CRUSH WARNING, DOOR, TRIANGULAR	
0020504600	LABEL,POWER CABLE SHOCK HAZARD, REAR	
0020506864	LABEL,REMOVE SHIPPING SECURITIES WARNING,WASHER, REAR	
0020506865	LABEL,SHOCK HAZARD, WASHER, REAR	
096444	INSTRUCTIONS, LIQ SUPP INS	TI-1127, External Liquid Supply instructions included in kit #096445.
TI-1129	INSTRUCTIONS, PRICE RED	TI-1129, Price Reduction Instructions included in kit #096501.
098018	WIRING DIAGRAM	
096514	LABEL,OPL READER-SLOT BLOCKOUT (MAINT INSTRUCTIONS)	Plastic waterproof label covers card slot With Laundrylux URL. Included in kit 096445
096565	LABEL,CARD RDR PLATE-"DO NOT ATTEMPT"	Plastic waterproof label covers card Without Laundrylux URL.

Laundrylux

Sales and Administration: (516) 371-4400
Spare Parts: (516) 371-2000
Technical Support: (516) 371-0700
En Mexico: 001-800-010-1010
461 Doughty Blvd., Inwood, NY 11096

laundrylux.com