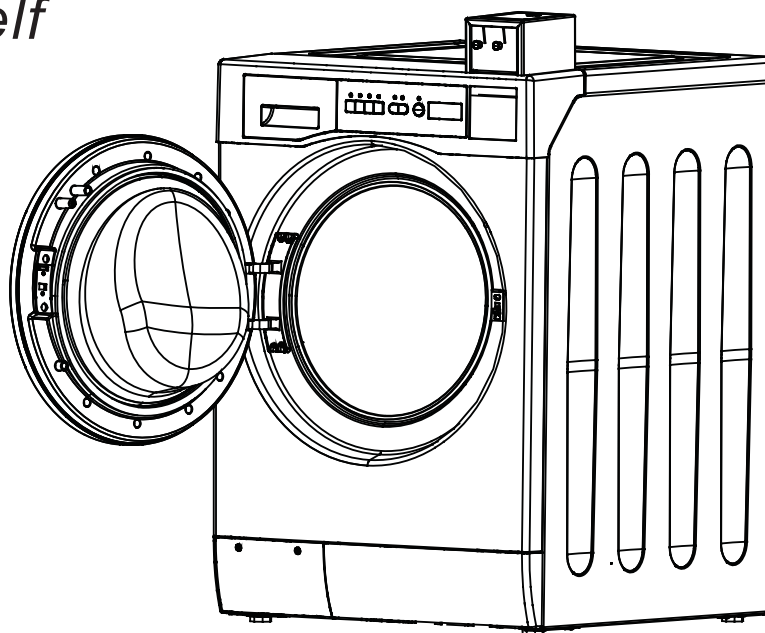


CROSSOVER SERIES

In a class by itself

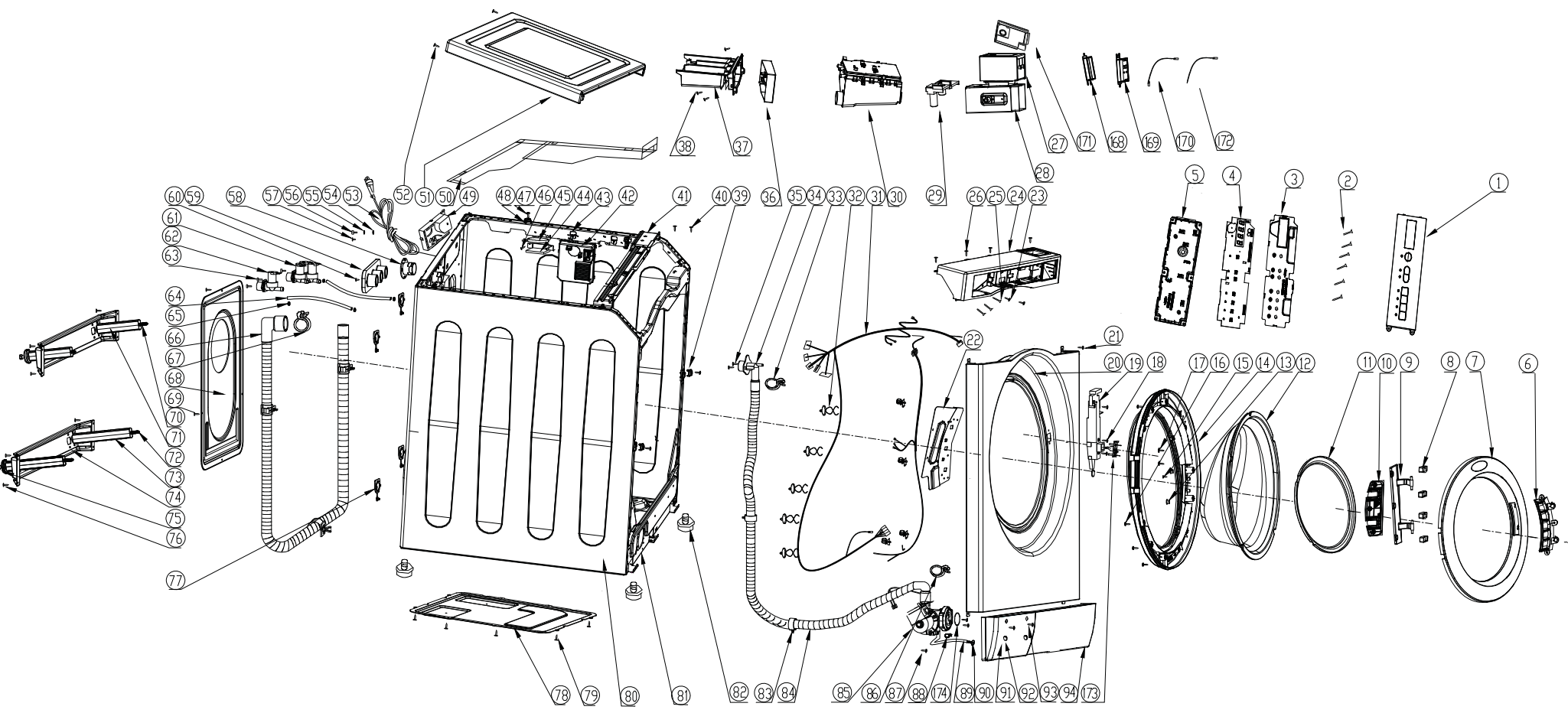


MODEL NO. WHWF09810M/NM

MODEL NO. EHWF09810M/NM

◀ WASHER SPARE PARTS CATALOG ▶

Laundrylux

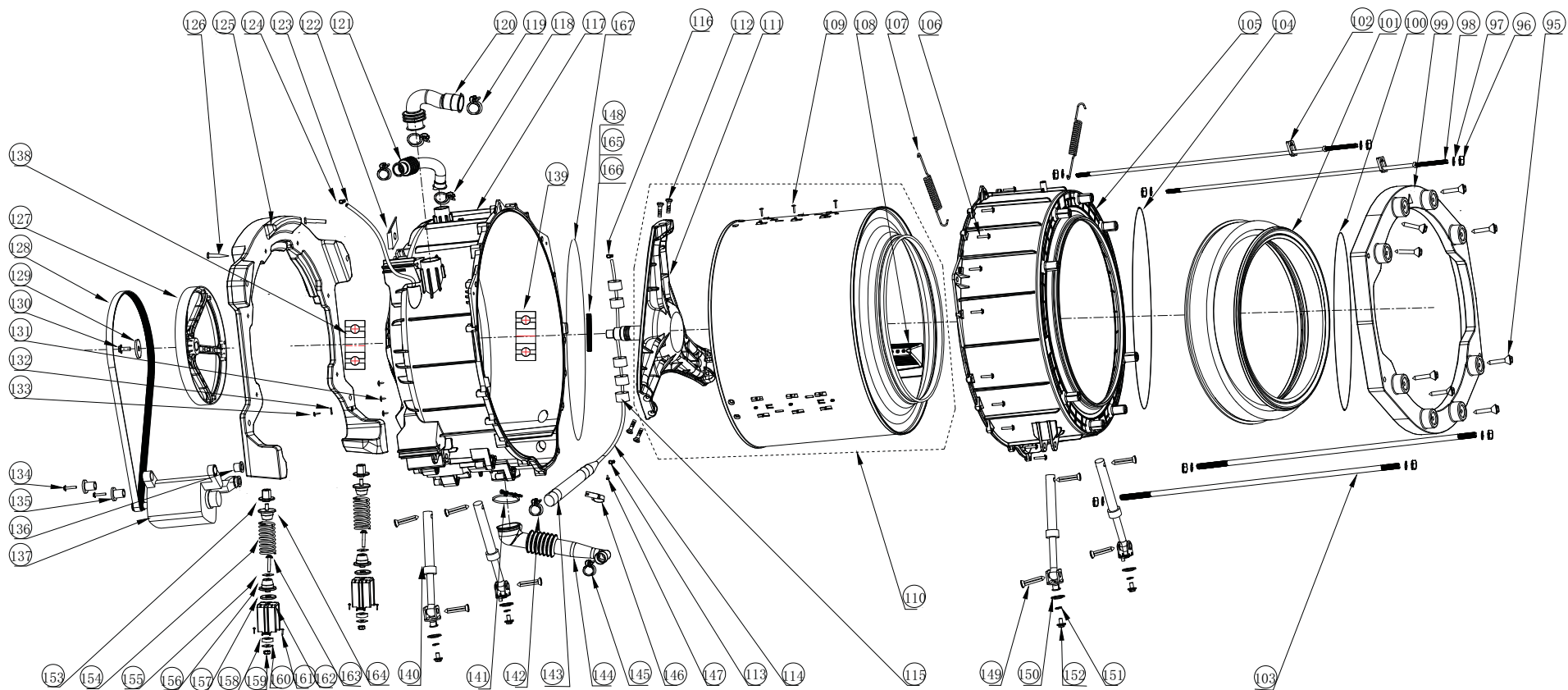


CHASSIS ASSEMBLY

Item #	Qty	Part Number	Recommended Spare	Description	Remarks
1	1	20203401		PANEL, FRONT CONTROL	
2	6	216910320111A		SCREW, ST3.5X112	
3	1	20203390		COVER, MAIN BOARD-INNER	
4	1	24000297	Y	CIRCUIT-BOARD, CROSSOVER DISPLAY	A1 CPU Circuit Board, display and cycle selection. Printed circuit board with ribbon harnesses only.
5	1	20203389		CASE, MAIN BOARD	
6	1	20203385		HANDLE, DOOR	
7	1	20203382		DOOR, OUTER	
8	4	20201212		BUSHING, DOOR HINGE	
9	1	20100656		HINGE, DOOR	
10	1	20203395	Y	BRACKET, HINGE-INNER	
11	1	20203384		SCREEN, OUTER DOOR-SMOKED	
12	1	21400101		GLASS, DOOR	
13	2	20300740		PLUG, RUBBER	
14	1	20203383		DOOR, INNER	
15	2	20600029		SCREW	
16	11	330810035		SCREW, DOOR FRAME	
17	2	20600291		SCREW, DOOR CATCH	
18	3	20600029		SCREW	
19	1	20800826	Y	DOORLOCK, CROSSOVER-WITH DOOR CATCH	A111 Door Lock Assy. S3 Door Closed Switch and S4 Door Locked Switch integrated into assy. Door latch included in this part. The door latch is also available separately (Part 20203932)
20	1	20807252		PANEL, FRONT GREY CROSSOVER	
21	2	216910320111A		SCREW, ST3.5X112	
22	1	20100728		PLATE, REINFORCEMENT	
23	3	20600100		SCREW	Secures soap housing dispenser to front panel
24	1	20203360		PANEL, CROSSOVER CONTROL-COIN	White panel for coin (M). Will accept coin meter housing and coin vault.
24	1	20203360A		PANEL, CONTROL-CARD & OPL CROSSOVER	White panel for card reader and OPL (NM)
25	2	216910320111A		SCREW, ST3.5X112	
26	4	20600179		SCREW	
27	1	20807299B		HOUSING, CROSSOVER CM - REV B	Coin meter housing, Rev B
28	1	20807298B		HOUSING,CROSSOVER COIN VAULT	Coin vault, Rev B
29	1	20203370	Y	INSERT, SIPHON - CROSSOVER SOAP BOX	Replaceable siphon and breakway tab.
30	1	20807234		HOUSING, DISPENSER	
31	1	20400145B		HARNESS, MAIN	
32	7	215200015200A		SUPPORT, HARNESS	
33	1	218210220611A		CLAMP, DRAIN HOSE	
34	1	20203917		FITTING, DRAIN ELBOW & OUTLET	
35	2	20600029		SCREW	
36	1	20203381		HANDLE, DISPENSER - CROSSOVER	
37	1	20203369	Y	DRAWER, DISPENSER - CROSSOVER	
38	4	20600029		SCREW	
39	4	20203926		CLIP, GUIDE PIN	
40	4	20600179		SCREW	

Item #	Qty	Part Number	Recommended Spare	Description	Remarks
41	1	20100723		BRACKET, TOP FRONT CROSSOVER WASHER	
42a	1	24000266A		DELAY-UNIT, CROSSOVER DOOR UNLOCK	A31 Door Unlock Delay Unit, printed circuit board and vibration isolation pad. Does not include cover.
42b	1	20202970		COVER, DELAY-UNIT CROSSOVER	Cover for 24000266A
43	2	214800503000		BUSHING, UPPER SPRING SUPPORT	
44	1	20201704		BRACKET, LEVEL SENSOR MOUNTING	
45	1	20400434	Y	LEVEL-CONTROL, CROSSOVER	B1 Water Level Sensor
46	1	217030330111A		SCREW, LEVEL SENSOR MOUNT	
47	6	2-0085104006		SCREW, TOP PANEL LOCKING CLIP	
48	6	20203926		CLIP, GUIDE PIN	
49	1	24000271	Y	INVERTER, CROSSOVER WASHER	U1 Power Module, 120 VAC, 60 Hz, 1ph. Includes printed circuit board and cover.
50	1	20200546		COVER, WATER SHIELD	
51	1	20100731		PANEL, TOP CROSSOVER GREY	
52	2	20600205		SCREW, TOP PANEL	T-15H security torx, ST3.5 thread
53	1	20400171		CORD, MAIN POWER	
54	1	217470300611A		TERMINAL, GROUNDING	Spring washer
55	1	215000000500		WASHER, GROUND TERMINAL	
56	1	215000000400		SCREW, GROUNDING	
57	1	216910150111A		SCREW, POWER CORD	
58	1	20203919		COVER, VENT	
59	1	20203396		PLATE, LIQUID SUPPLY TUBE ENTRY	
60	2	216910150111A		SCREW, POWER CORD	
61	1	24000126C	Y	VALVE, INLET COLD-CROSSOVER	Y11 Cold Detergent and Y13 Cold Softener Valves, 120 VAC, 60 Hz, metric hose thread
62	1	24000972	Y	VALVE, INLET HOT-CROSSOVER	Y21 Hot Detergent Valve, 120 VAC, 60 Hz, metric hose thread
63	4	216920110008A		SCREW	
64	3	20300762		HOSE, PREWASH/SOFTENER	
65	1	20600086A		CLAMP	
66	1	20300148		HOSE, DRAIN (OUTER)	Included in drum kit
67	1	20600050A		CLAMP, DRAIN HOSE	
68	1	20102687B		PANEL, REAR	
69	4	216910320111A		SCREW, ST3.5X112	
70	2	20600288		BOLT, TRANSPORT UPPER	
71	2	20203922		SLEEVE, TRANSPORT BOLT UPPER	
72	2	20600289		BOLT, TRANSPORT LOWER	
73	2	20203923		SLEEVE, TRANSPORT BOLT LOWER	
74	2	20103172		BRACKET, TRANSPORT	
75	4	20103173		WASHER, TRANSPORT BOLT	
76	8	20600179		SCREW	
77	4	20203924		COVER, TRANSPORT HOLE	
78	1	20103168		PLATE, BOTTOM CROSSOVER WASHER	
79	8	216910320111A		SCREW, ST3.5X112	
80	1	20807701		CABINET	
81	2	20600179		SCREW	

Item #	Qty	Part Number	Recommended Spare	Description	Remarks
82	4	20300170C		FOOT, CROSSOVER LEVELING-REMARK!	
83	3	215200004402		CLIP, DRAIN HOSE	
84	1	20300377		HOSE, DRAIN (INNER)	
85	1	24000322	Y	PUMP, 120V 60 HZ DRAIN-CROSSOVER	M2 Drain Pump, includes filter. Gasket available separately, (Part #096515)
86	1	211320024000A		CLAMP, DRAIN HOSE TO PUMP	
87	2	20600029		SCREW	
88	1	2-0030100700		CLAMP, BLEEDER HOSE	
89	1	20300727		HOSE, BLEEDER	
90	1	20203918		PLUG, BLEEDER HOSE	
91	1	20203368		COVER, PUMP ACCESS	
92	2	20203935		CAP, PUMP ACCESS SCREW	
93	2	20600104		SCREW, PUMP ACCESS COVER	
94	1	20203367		PLATE, LOWER ORNAMENTAL-WHT	
170		20400145B-2		HARNESS, CROSSOVER LIQUID SIGNALS	Included with Liquid Supply Kit, #096445
172		20400145B-3		HARNESS, CROSSOVER PRICE REDUCTION	Included with Price Reduction kit, #096501
173	1	20203932	Y	CATCH, CROSSOVER DOOR LOCK	
174	1	096515	Y	GASKET, CROSSOVER PUMP STRAINER	
175	1	24000307		SWITCH, SERVICE MODE	S2 Service Mode plunger switch. Attaches to side of coin vault in M washers and behind card reader in NM washers. Not shown
176	1	20100744		BRACKET, SERVICE MODE SWITCH	Coin vault bracket for S2 Service Mode Switch for M washers. Not shown
177	2	TBD		SCREW	Used to attached S2 Service Mode Switch Bracket. Not shown.
178	7	20600169		SCREW, COIN VAULT	Used to secure Coin Meter Housing to Coin Vault and Coin Vault to chassis



DRUM ASSEMBLY

Item #	Qty	Part Number	Recommended Spare	Description	Remarks
95	9	20600207		SCREW, FRONT COUNTERWEIGHT	
96	8	20600175		NUT, M12	
97	8	20600174		WASHER, M12	
98	2	20100718		ROD, DRUM TRANSIT UPPER	
99	1	20100707		COUNTERWEIGHT, FRONT	
100	1	20600284		CLAMP, BELLOWS OUTER	Spring clamp. See #096438 for installation tool
101	1	20300692		GASKET, CROSSOVER DOOR (W/BELLOWS)	Door boot
102	2	20100717		CLIP, SPRING SUPPORT	
103	2	20100719		ROD, DRUM TRANSIT LOWER	
104	1	20600196		CLAMP, BELLOWS INNER	Inner boot clamp, 7mm hex head bolt
105	1	20203916		DRUM, OUTER FRONT HALF	
106	18	330812067		SCREW, TUB	
107	2	20600263B		SPRING , UPPER SUSPENSION	
108	3	20203950		LIFTER, INNER DRUM	
109	9	20600164		SCREW, LIFTER	
110	1	20807649		DRUM-ASSY, INNER	
111	1	20804138B		SHAFT, INNER DRUM W/SPIDER CASTING-B	
112	6	215000036000		BOLT, DRUM SHAFT ATTACHMENT	
113	1	211320015200A		CLAMP, AIR TRAP LEVEL HOSE	
114	1	214401362902A		HOSE, LEVEL SENSOR	
115	8	212500011100		CUSHION, LEVEL HOSE	
116	1	218210650611A		CLAMP, LEVEL SENSOR HOSE	
117	1	20807310		CYLINDER-ASSY, OUTER REAR	
118	2	20600138		CLAMP, DRUM FILL HOSE	
119	2	218230460611A		CLAMP, DRUM FILL HOSE	
120	1	20300730A		HOSE, DRUM FILL-CROSSOVER WASHER	
121	1	20300731		HOSE, DRUM VENT	
122	6	20100071		PLATE, REAR WEIGHT ATTACHMENT	Bracket plate for attaching rear counterweights
123	1	20300732		HOSE, ANTI-SIPHON	
124	2	211320015200A		CLAMP, AIR TRAP LEVEL HOSE	Used on anti-siphon hose
125	1	20100708		COUNTERWEIGHT, REAR	
126	6	330812013A		BOLT, REAR WEIGHT FASTENING	
127	1	20100657		PULLEY, DRUM	
128	1	20300174		BELT, CROSSOVER WASHER	Main Drive Belt
129	1	20600287		WASHER, PULLEY	
130	1	20600286		BOLT, PULLEY	
131	3	20600155		SCREW, GROUNDING	
132	1	217470300611A		TERMINAL, GROUNDING	Spring washer
133	1	20600179		SCREW	
134	2	215100001000		SCREW, MOTOR MOUNTING	
135	2	20202717		SPACER, MOTOR	
136	2	20300466		BUSHING, MOTOR MOUNT	
137	1	24000974		MOTOR, 120V 60HZ CROSSOVER WASHER	M1 Drum motor. F1 Motor Overheat Switch and Tachometer integrated in motor assembly.
138	1	20103180		BEARING, FRONT	
139	1	20103179		BEARING, REAR	
140	4	20804252A		SHOCK-ABSORBER, CROSSOVER	
141	1	297023000100A		CLAMP, DRUM TO PUMP HOSE (DRUM)	
142	1	211320011300A		CLAMP, AIR TRAP	
143	1	217400046900		AIR-CHAMBER	Connects to level sensor hose
144	1	20300726		HOSE, DRUM TO PUMP	

Item #	Qty	Part Number	Recommended Spare	Description	Remarks
145	1	215200294400A		CLAMP, DRUM TO PUMP (PUMP)	
146	1	215200032905		CLIP, AIR TRAP	
147	1	216910150111A		SCREW, POWER CORD	
148	1	20300722		SEAL, CROSSOVER #1	Front (water side)
149	8	20202225		PIN, SHOCK MOUNTING	
150	4	215000035200		WASHER, SHOCK SUPPORT	
151	4	217440540612		LOCKWASHER, SHOCK SUPPORT	
152	4	215000002804A		BOLT, SHOCK SUPPORT	
153	2	20300758		BUSHING, SPRING TOWER UPPER	
154	2	20600233		SPRING, SUSPENSION-LOWER REAR	
155	2	215000014200A		WASHER, M8	
156	1	20203359		BUSHING, SPRING LEADER LOWER	
157	2	20300756		GASKET, SPRING TOWER UPPER	
158	2	20300757		GASKET, SPRING TOWER LOWER	
158	2	215000000001A		NUT, M8	
160	2	215000014200A		WASHER, M8	
161	6	215000002804A		BOLT, SHOCK SUPPORT	
162	2	20100743		BRACKET, SPRING SUPPORT	
163	2	20100269A		BOLT, SPRING BUSHING	
164	2	20203358		BUSHING, SPRING LEADER UPPER	
165	1	20300616A		SEAL, KEYED MIDDLE	
166	1	20300616		SEAL, SMALL	
167	1	20300723		GASKET, OUTER DRUM	

Item #	Qty	Part Number	Recommended Spare	Description	Remarks
		20300110		HOSE, CROSSOVER INLET (SINGLE PC)	Inlet hose, cold or hot. Metric thread machine-side, Garden Hose thread, supply-side. Two required per machine. Included in drum kit
		080676		COIN-BOX,ESD XD LOCK-DEEP-REMARKS!	Coin vault, ESD
		080678		COIN-BOX, GREENWALD 8" LONG	Coin vault, Greenwald
		080681		KIT, COIN-DROP MUN UQ ROUTE-OP	Single coin meter, (US quarter)
		080684		KIT, COIN-DROP,MUN CQ ROUTE OP	Single coin meter, (Canadian quarter)
		080698		KIT, COIN-DROP,MUN CQL ROUTE DUAL	Dual Canadian quarter-dollar
		080700		KIT,COIN-DROP,MUN UQD ROUTE DUAL	Dual US quarter-dollar
		096445		KIT, CROSSOVER LIQUID SUPPLY	External liquid supply kit
		096514		LABEL, OPL CROSSOVER BLOCKOUT	Covers card reader for OPL. Included in 096445
		20400145B-2		HARNESS, CROSSOVER LIQUID SIGNALS	Included with Liquid Supply Kit, #096445
		096496		KIT, CROSSOVER PRICE RED-LOCATION	
		096501		KIT, CROSSOVER PRICE RED-MACHINE	1 kit required per machine
		20400145B-3		HARNESS, CROSSOVER PRICE REDUCTION	Included with Price Reduction kit, #096501
		096438		TOOL, CROSSOVER BOOT SPRING	Used to install outer boot clamp 20600284
		096485		KIT, CROSSOVER BEARING DISPLY	Bearing housing, bearings, and seals display
		096417		MANUAL, CROSSOVER WASHER INSTALLATION	Included in drum kit.
		096444		INSTRUCTIONS, CROSSOVER LIQ SUPP INS	TI-1127, External Liquid Supply instructions included in kit # 096445
		096470		MANUAL, CROSSOVER WASHER OPERATING	Operating and Programming manual
		096508		WIRING DIAGRAM, CROSSOVER WASHER	
		TI-1129		INSTRUCTIONS, CROSSOVER PRICE RED	TI-1129, Price Reduction Instructions for Kit # 096501

Established in 1955, Wascomat has sold more commercial washers than anyone else in the industry.

Wascomat's years of service have made it the most trusted name in commercial laundry.

The heritage of the Wascomat brand is rooted in the origin of the Self Service, OPL and Facility Management laundry industry. Everyday across North America, customers choose Wascomat equipment for all their laundry needs.

Having updated your laundry with Wascomat is a wise choice for many reasons. Wascomat offers what no other can: value, performance, reliability, and heritage.

To learn more about additional Wascomat products and services for all your laundry needs, please visit our website at laundrylux.com.



If your business is in need of laundry expansion large or small, Laundrylux Financial Services is ready to help you get there. Leasing and financing is available at the most competitive rates on all Wascomat products.

Wascomat

Sales and Administration: 516-371-4400

Spare Parts: 516-371-2000

Technical Support: 516-371-0700

En Mexico: 001-800-010-1010

461 Doughty Blvd., Inwood, NY 11096

laundrylux.com