

---

W620-W675 Compass

Washer extractor  
Laveusesessoreuses

---



## List of issues

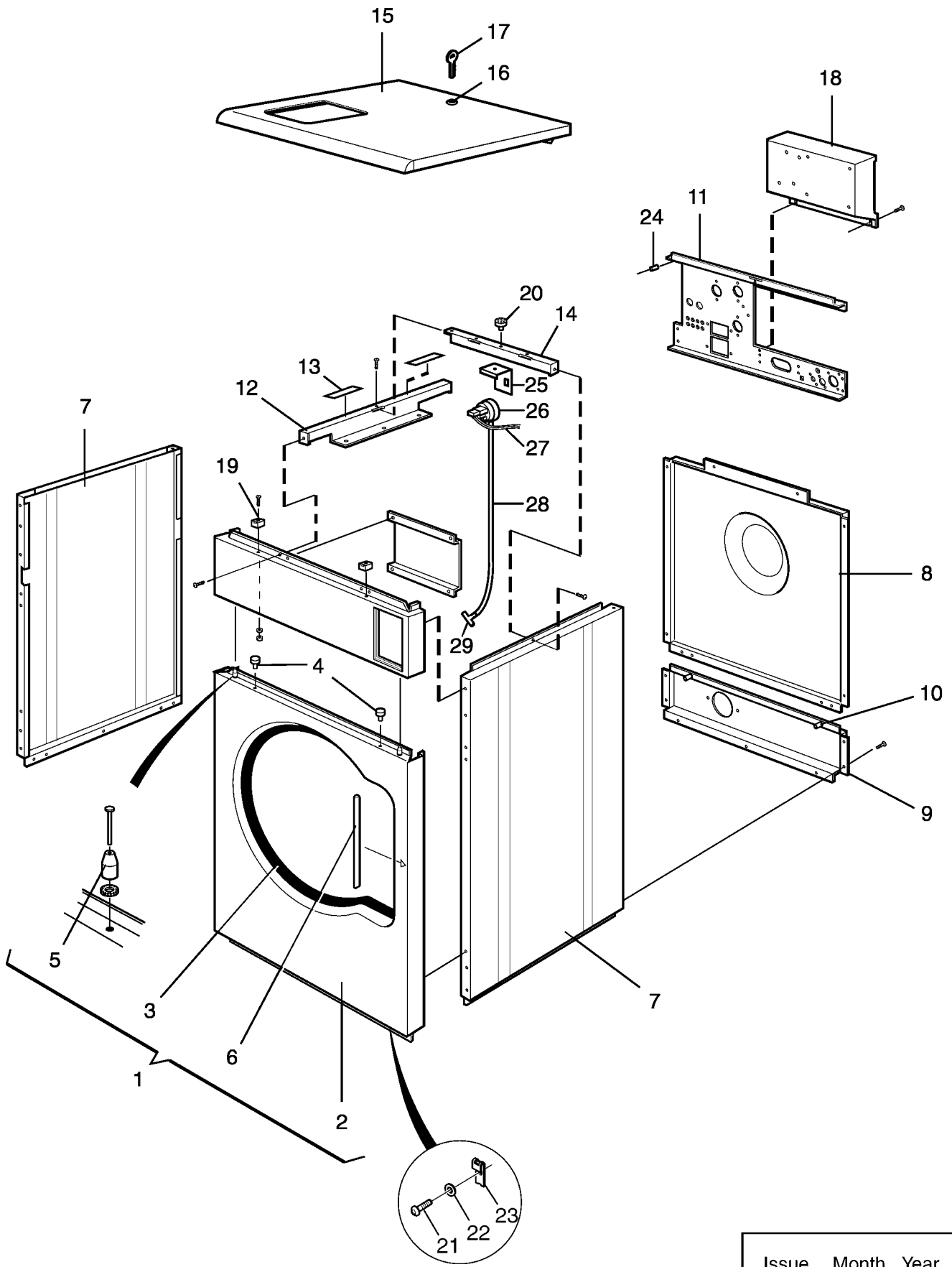
### **W620cc,W625cc,W630cc,W640cc,W655cc,W675cc**

Illustration	Page	Table of contents
102300	13	Lining and top panel
102301	23	Drum, rear gable
102302	27	Door and hinged joint
102316	85	Water connections
102343	81	Drain valve
102344	101	Detergent container
102378	67	Control panel
102380	75	Electric components connection
102383	95	Inlet valves and cable set
102384	93	Inlet valves and cable set
102385	97	Inlet valves and cable set
102481	87	Inlet valves and cable set
102482	89	Inlet valves and cable set
102483	91	Inlet valves and cable set
102486	119	Compass control loader
102491	55	Motor control
102491	59	Motor control
102491	61	Motor control
102491	63	Motor control
102491	65	Motor control
102492	83	Drain valve, electrical
102500	29	Door lock
102501	99	Steam components
102503	79	Drain valve and hoses
102504	31	Motor
102504	35	Motor
102504	39	Motor
102504	43	Motor
102504	47	Motor
102504	51	Motor
102596	103	Emergency stop
102663	105	Key switch
102665	33	Motor
102665	37	Motor
102665	41	Motor
102665	45	Motor
102665	49	Motor
102665	53	Motor
102670	57	Motor control
102672	117	Coin meter
102674	19	Base and outer drum
102679	71	Programmer
500109	109	Coin box
500110	111	Coinbox USA
500114	113	Electronic coin meter
500115	107	Coin box



## W620cc,W625cc,W630cc,W640cc,W655cc,W675cc

Table of contents	Table des matières	Page/Page
*Lining and top panel	Panneau frontal avec pupitre de commande	13
Base and outer drum	Base et tambour externe	19
Drum, rear gable	Tambour, pignon arrière	23
Door and hinged joint	Assemblage articulé et plaque	27
Door lock	Serrure de porte	29
Motor	Moteur	31
*Motor	Moteur	33
Motor	Moteur	35
*Motor	Moteur	37
Motor	Moteur	39
*Motor	Moteur	41
Motor	Moteur	43
*Motor	Moteur	45
Motor	Moteur	47
*Motor	Moteur	49
Motor	Moteur	51
*Motor	Moteur	53
Motor control	Contrôle du moteur	55
Motor control	Contrôle du moteur	57
*Motor control	Contrôle du moteur	59
*Motor control	Contrôle du moteur	61
*Motor control	Contrôle du moteur	63
Motor control	Contrôle du moteur	65
Control panel	Pupitre de commande	67
Programmer	Minuterie	71
Electric components connection	Composants électriques raccordement électrique	75
Drain valve and hoses	Purgeur et flexible	79
Drain valve	Vanne de vidange	81
*Drain valve, electrical	Drain valve, electrical	83
Water connections	Raccords d'eau	85
Inlet valves and cable set	Inlet valves and cable set	87
Inlet valves and cable set	Inlet valves and cable set	89
Inlet valves and cable set	Inlet valves and cable set	91
Inlet valves and cable set	Inlet valves and cable set	93
Inlet valves and cable set	Inlet valves and cable set	95
Inlet valves and cable set	Inlet valves and cable set	97
Steam components	Composants	99
Detergent container	Compartiment à savon	101
Emergency stop	Arrêt d'urgence	103
Key switch	Commutateur à touche	105
Coin box	Boîtier à jetons	107
Coin box	Boîtier à jetons	109
*Coinbox USA	Boîtier à jetons USA	111
Electronic coin meter	Monnayeur électronique	113
*Coin meter	Monnayeur	117
Compass control loader	Compass control loader	119



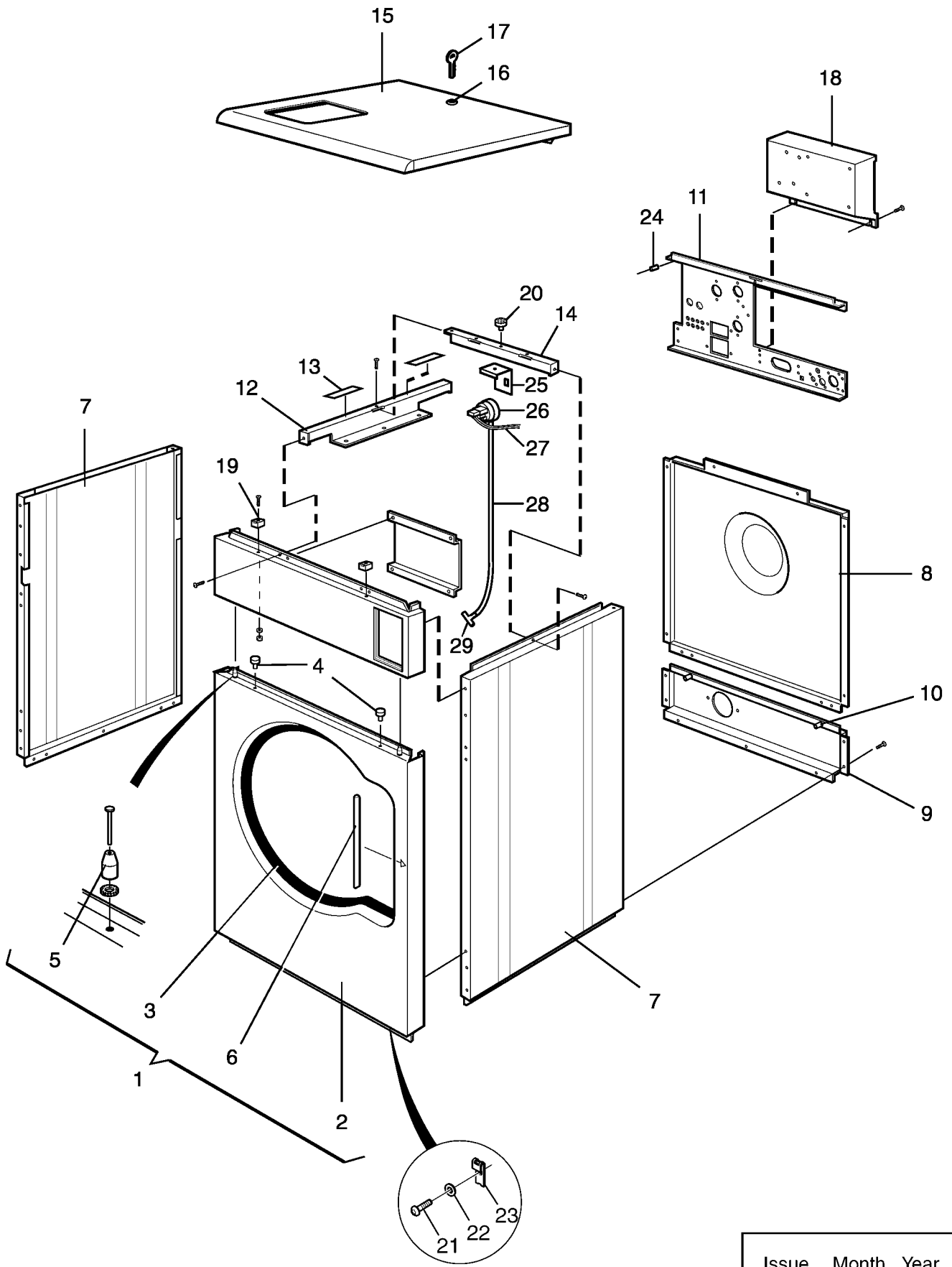
**W620cc,W625cc,W630cc,W640cc,W655cc,W675cc**

**Lining and top panel**

**Panneau frontal avec pupitre de commande**

Illustration Issue Month Year  
Schéma Issue Month Year  
**102300/1 6 11 2010**

Item Article	Quantity Quantité	Art.No Réf. article	Description	Description	Info Info	Notes Remarques		
<b>1</b>	1		W620cc					
		1		W625cc				
			1		W630cc			
				1		W640cc		
					1		W655cc	
						1		W675cc
			413 2200-31	Front panel	Panneau avant	3	Wave Stainless Complete	
		1	432 2200-30	Front plate	Panneau avant	3	Stainless Complete	
		1	432 2200-98	Front panel	Panneau avant	3	Blue Complete	
		1	432 2200-21	Front plate	Panneau avant	3	Green Complete	
		1	432 2200-03	Front plate	Panneau avant	3	White Complete	
			413 2200-41	Front panel	Panneau avant	3	Wave Stainless Complete	
				1		1		
			432 2200-40	Front plate	Panneau avant	3	Stainless Complete	
				1		1		
			432 2200-38	Front panel	Panneau avant	3	Blue Complete	
				1		1		
			432 2200-31	Front plate	Panneau avant	3	Green Complete	
				1		1		
			432 2200-33	Front plate	Panneau avant	3	White Complete	
				1		1		
			413 2200-51	Front panel	Panneau avant	3	Wave Stainless Complete	
				1		1		
			432 2200-50	Front plate	Panneau avant	3	Stainless Complete	
				1		1		
			432 2200-43	Front plate	Panneau avant	3	White Complete	
				1		1		
			432 2200-48	Front panel	Panneau avant	3	Blue Complete	
				1		1		
			432 2200-41	Front plate	Panneau avant	3	Green Complete	
				1		1		
		432 2200-43	Front plate	Panneau avant	3	White Complete		
			1		1			
		413 2200-61	Front panel	Panneau avant	3	Wave Stainless Complete		
			1		1			
		432 2200-60	Front plate	Panneau avant	3	Stainless Complete		
			1		1			
		432 2200-58	Front panel	Panneau avant	3	Blue Complete		
			1		1			
		432 2200-51	Front plate	Panneau avant	3	Green Complete		
			1		1			
		432 2200-53	Front plate	Panneau avant	3	White Complete		
			1		1			
		413 2200-71	Front panel	Panneau avant	3	Wave Stainless Complete		
			1		1			
		432 2200-70	Front plate	Panneau avant	3	Stainless Complete		
			1		1			
		432 2200-68	Front panel	Panneau avant	3	Blue Complete		
			1		1			
		432 2200-61	Front plate	Panneau avant	3	Green Complete		
			1		1			
		432 2200-63	Front plate	Panneau avant	3	White Complete		
<b>2</b>	1		•Front plate	•Panneau avant	3			
<b>3</b>	1		432 2182-01 •Strip	•Ruban	3			
			432 2182-02 •Strip	•Ruban	3			
			432 2182-03 •Strip	•Ruban	3			
			432 2182-04 •Strip	•Ruban	3			
<b>4</b>	2		471 8196-01 •Plug	•Fiche	3			
<b>5</b>	2		438 5109-02 •Guide pin	•Broche de guidage	3			
<b>6</b>	1		471 4672-67 •Protection	•Protection	3			
<b>7</b>	2		432 2046-03 Side panel	Panneau latéral	3	Grey		
	2		432 2046-10 Side panel	Panneau latéral	3	Stainless		
			432 2058-03 Side panel	Panneau latéral	3	Grey		
			432 2058-10 Side panel	Panneau latéral	3	Stainless		
			432 2041-03 Side panel	Panneau latéral	3	Grey		
			432 2041-10 Side panel	Panneau latéral	3	Stainless		
			432 2042-03 Side panel	Panneau latéral	3	Grey		
			432 2042-10 Side panel	Panneau latéral	3	Stainless		
			432 2043-03 Side panel	Panneau latéral	3	Grey		





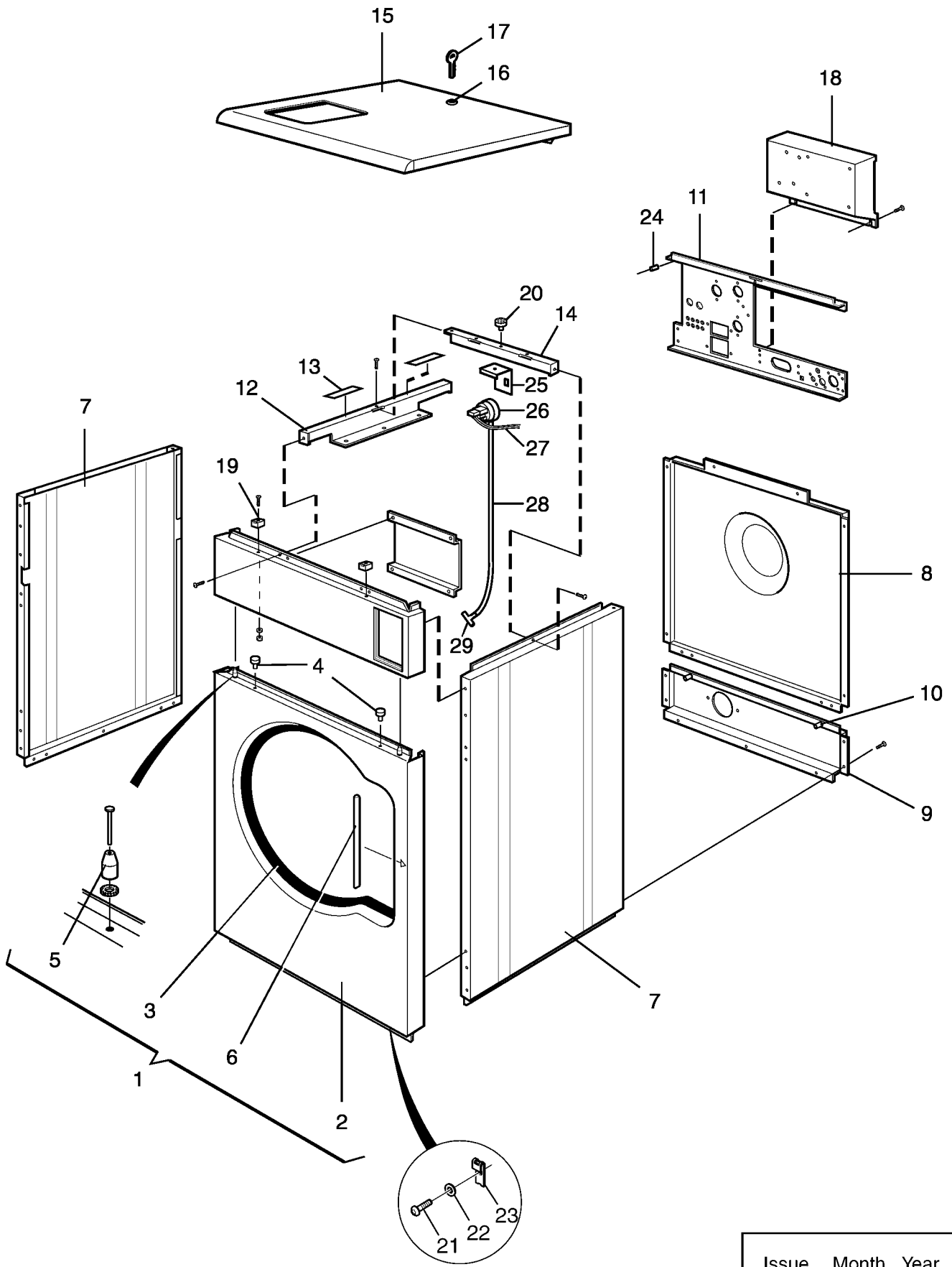
**W620cc,W625cc,W630cc,W640cc,W655cc,W675cc**

**Lining and top panel**

**Panneau frontal avec pupitre de commande**

Illustration Issue Month Year  
Schéma Issue Month Year  
**102300/1 6 11 2010**

Item Article	Quantity Quantité	Art.No Réf. article	Description	Description	Info Info	Notes Remarques
<b>8</b>	1	2	432 2043-10 Side panel	Panneau latéral	3	Stainless
		2	432 2044-03 Side panel	Panneau latéral	3	Grey
		2	432 2044-10 Side panel	Panneau latéral	3	Stainless
			432 2070-01 Rear panel	Panneau arrière	3	Upper - 520/121663, 521/400019-403819
	1		413 5005-01 Rear panel	Panneau arrière	3	521/403820-
		1	432 2072-01 Rear panel	Panneau arrière	3	Upper - 595/106656, 521/400164-404049
		1	413 5007-01 Rear panel	Panneau arrière	3	521/404050-
		1	432 2072-02 Rear panel	Panneau arrière	3	Upper - 595/106657, 521/400104-404049
		1	413 5009-01 Rear panel	Panneau arrière	3	521/404050-
		1	432 2064-01 Rear panel	Panneau arrière	3	Upper
<b>9</b>	1	1	432 2066-01 Rear panel	Panneau arrière	3	Upper
		1	432 2068-01 Rear panel	Paroi arrière	3	Upper
		1	432 2071-02 Rear panel	Panneau arrière	3	-520/121663, 521/400019-403819
		1	432 2073-02 Rear panel	Panneau arrière	3	-595/106656, 521/400164-404049
		1	432 2073-02 Rear panel	Panneau arrière	3	-595/106657, 521/400104-404049
<b>10</b>	6	1	432 2065-01 Rear panel	Panneau arrière	3	Lower
		1	432 2067-01 Rear panel	Panneau arrière	3	Lower
<b>11</b>	6	1	432 2076-01 Rear panel	Panneau arrière	3	
	1		471 8458-02 Nut	Écrou	3	M6
<b>12</b>			432 2246-01 Brace bracket	Support de montant	3	
			432 2246-02 Brace bracket	Support de montant	3	
			432 2247-01 Brace bracket	Support de montant	3	
			432 2248-01 Brace bracket	Support de montant	3	
			432 2249-01 Brace bracket	Support de montant	3	
	1		432 2130-08 Brace	Montant	3	
		1	432 2130-03 Brace	Montant	3	
		1	432 2130-06 Brace	Montant	3	
		1	432 2131-05 Brace	Montant	3	
		1	432 2131-06 Brace	Montant	3	
<b>13</b>	4	1	432 2131-07 Brace	Montant	3	
	4	2	471 7565-21 Velcro tape	Bande de serrage	3	
<b>14</b>	1		432 2120-06 Brace	Montant	3	
			432 2122-02 Brace	Montant	3	
		1	432 2120-01 Brace	Montant	3	
		1	432 2121-05 Brace	Montant	3	
		1	432 2121-06 Brace	Montant	3	
		1	432 2121-02 Brace	Montant	3	
	1		432 2292-65 Top panel	Couvercle	3	
	1		413 2201-09 Top panel	Couvercle	3	With lock
	1		413 2292-66 Top panel	Couvercle	3	No detergent container
	1		413 2201-15 Top panel	Couvercle	3	No detergent container With lock



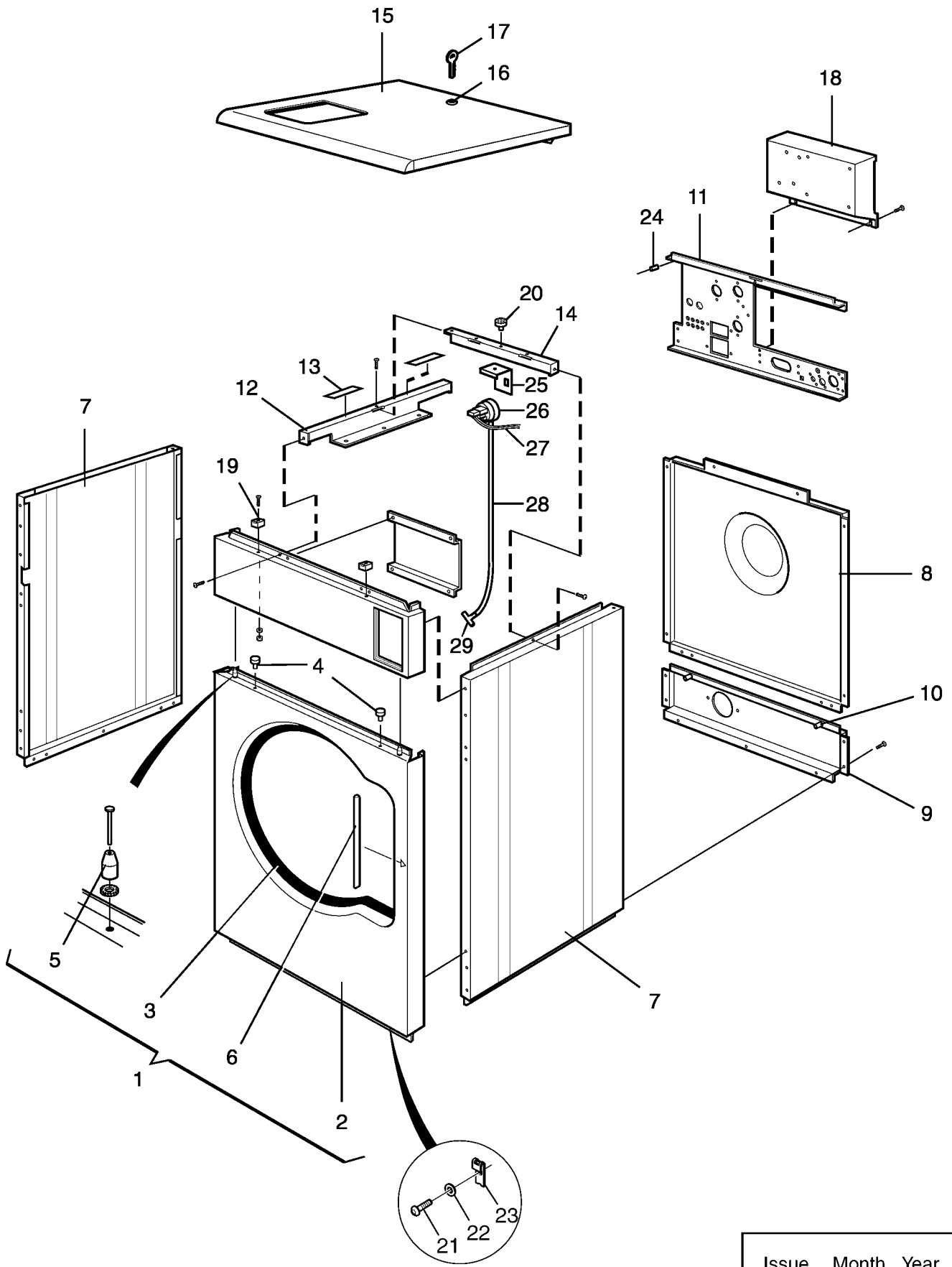
**W620cc,W625cc,W630cc,W640cc,W655cc,W675cc**

**Lining and top panel**

**Panneau frontal avec pupitre de commande**

Illustration Issue Month Year  
Schéma Issue Month Year  
**102300/1 6 11 2010**

Item Article	Quantity Quantité		Art.No Réf. article	Description	Description	Info Info	Notes Remarques
	W620cc						
	W625cc						
	W630cc						
	W640cc						
	W655cc						
	W675cc						
	1		432 2288-65	Top panel	Couvercle	3	
	1		413 2201-13	Top panel	Couvercle	3	With lock
	1		432 2288-66	Top panel	Couvercle	3	No detergent container
	1		413 2201-18	Top panel	Couvercle	3	No detergent container With lock
		1	432 2294-65	Top panel	Couvercle	3	
		1	413 2201-04	Top panel	Couvercle	3	With lock
		1	432 2294-66	Top panel	Couvercle	3	No detergent container
		1	413 2201-20	Top panel	Couvercle	3	No detergent container With lock
		1	432 2289-65	Top panel	Couvercle	3	
		1	413 2201-05	Top panel	Couvercle	3	With lock
		1	432 2289-66	Top panel	Couvercle	3	No detergent container
		1	413 2201-31	Top panel	Couvercle	3	No detergent container With lock
		1	432 2290-65	Top panel	Couvercle	3	
		1	413 2201-06	Top panel	Couvercle	3	With lock
		1	432 2290-66	Top panel	Couvercle	3	No detergent container
		1	413 2201-32	Top panel	Couvercle	3	No detergent container With lock
		1	432 2291-65	Top panel	Couvercle	3	
		1	432 2291-66	Top panel	Couvercle	3	No detergent container
		1	413 2201-07	Top panel	Couvercle	3	With lock
		1	413 2201-33	Top panel	Couvercle	3	No detergent container With lock
<b>16</b>	1	1	471 7826-10	•Lock	•Serrure	1,2	
<b>17</b>	1	1	472 9900-99	•Key	•Touche	1,2	SET
<b>18</b>	1		432 2259-01	Plate	Plaque	3	-520/107432
	1		432 2215-01	Plate	Plaque	3	520/107433-
		1	432 2259-01	Plate	Plaque	3	-595/102314
		1	432 2215-01	Plate	Plaque	3	595/102315-
		1	432 2259-01	Plate	Plaque	3	-595/102314
		1	432 2215-01	Plate	Plaque	3	595/102315-
		1	432 2259-01	Plate	Plaque	3	-650/102098
		1	432 2215-01	Plate	Plaque	3	650/102099-
		1	432 2259-01	Plate	Plaque	3	-725/101551
		1	432 2215-01	Plate	Plaque	3	725/101552-
		1	432 2259-01	Plate	Plaque	3	-795/100723
		1	432 2215-01	Plate	Plaque	3	795/100724-
<b>19</b>	1	1	471 7967-02	Grommet	Oeillet	3	
<b>20</b>	1	1	471 8641-02	Plug	Fiche	3	
<b>21</b>	2	2	471 8344-35	Screw	Vis	3	M6X16
<b>22</b>	2	2	735 2153-01	Lock washer	Rondelle d'arrêt	3	6,4



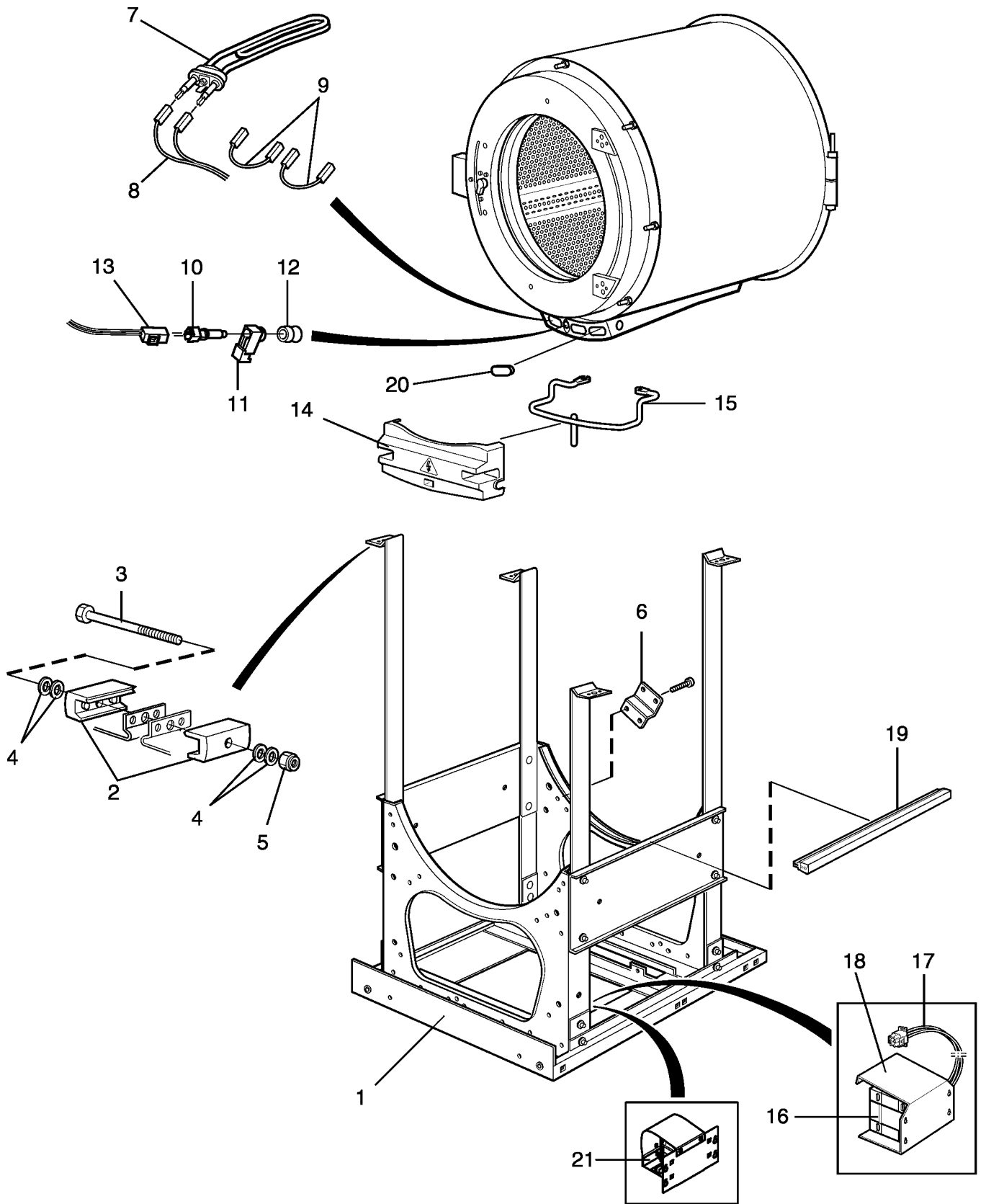
**W620cc,W625cc,W630cc,W640cc,W655cc,W675cc**

**Lining and top panel**

**Panneau frontal avec pupitre de commande**

Illustration	Issue	Month	Year
Schéma	Issue	Month	Year
<b>102300/1</b>	<b>6</b>	<b>11</b>	<b>2010</b>

Item Article	Quantity Quantité							Art.No Réf. article	Description	Description	Info Info	Notes Remarques
	W620cc											
	W625cc											
	W630cc											
	W640cc											
	W655cc											
	W675cc											
23	2	2	2	2	2	2	<b>471 7864-01</b>	Clip	Colliers de serrage	3	M6	
24	2	2	2	2	2	2	<b>432 2180-01</b>	Spacer	Entretoise	3		
25	-	-	-	-	-	-					Not used	
26	-	-	-	-	-	-					Not used	
27	-	-	-	-	-	-					Not used	
28	-	-	-	-	-	-					Not used	
29	-	-	-	-	-	-					Not used	



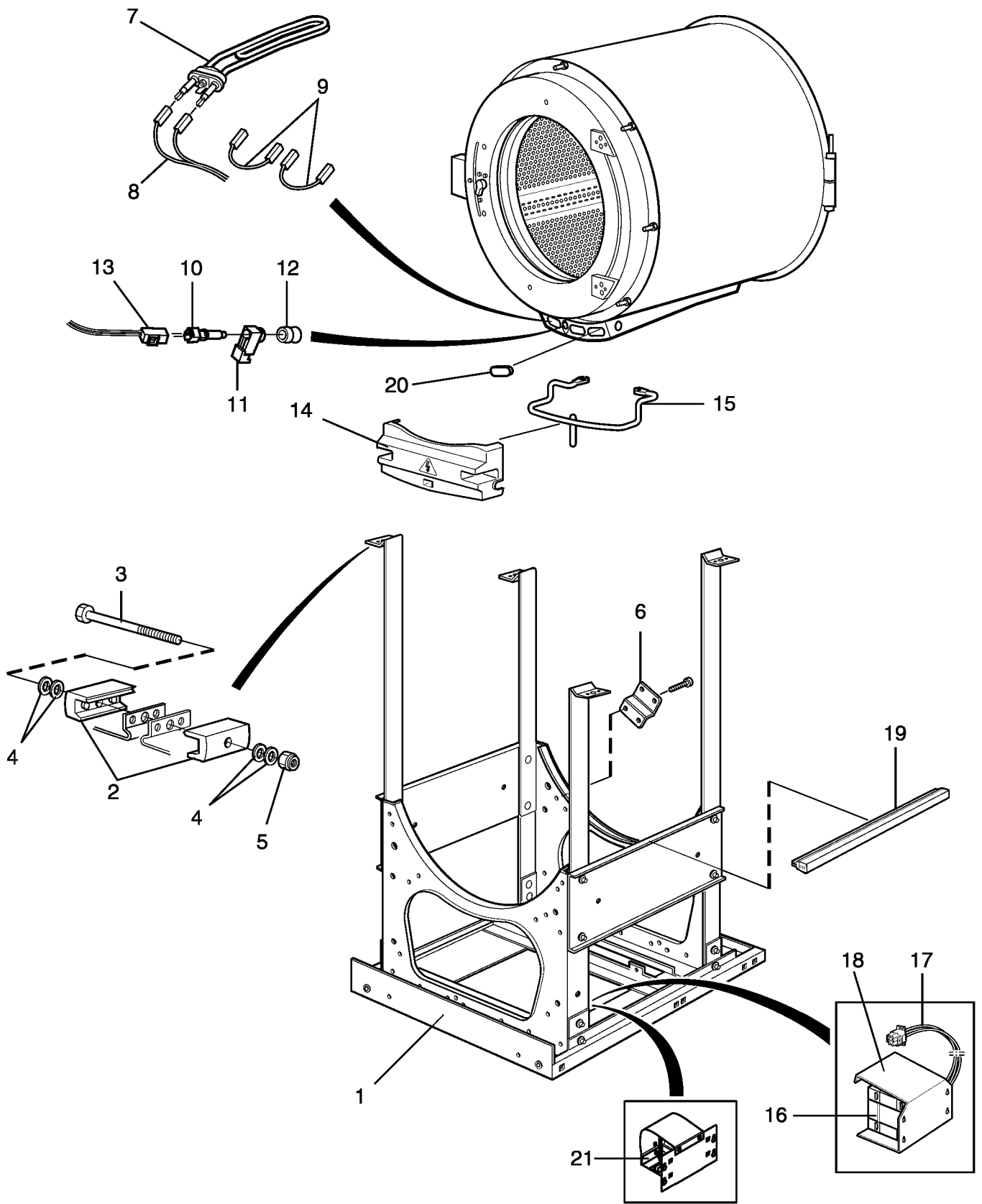
**W620cc,W625cc,W630cc,W640cc,W655cc,W675cc**

**Base and outer drum**

**Base et tambour externe**

Illustration Issue Month Year  
Schéma Issue Month Year  
**102674 2 12 2009**

Item Article	Quantity Quantité	Art.No Réf. article	Description	Description	Info Info	Notes Remarques	
<b>1</b>	1						
		W620cc					
		W625cc					
		W630cc					
		W640cc					
		W655cc					
		W675cc					
			<b>413 4015-52</b>	Frame	Base	3	-520/121663, 521/400019-402182
			<b>413 4015-62</b>	Frame	Base	3	521/402183-
			<b>413 4115-51</b>	Frame	Base	3	-595/106656, 521/400164-402182
			<b>413 4115-61</b>	Frame	Base	3	521/402183-
			<b>413 4115-52</b>	Frame	Base	3	-595/106657, 521/400104-402182
			<b>413 4115-62</b>	Frame	Base	3	521/402183-
			<b>413 4215-51</b>	Frame	Base	3	-650/107383
			<b>413 4215-61</b>	Frame	Base	3	650/107384-
		<b>413 4315-51</b>	Frame	Base	3	-725/105470	
		<b>413 4315-61</b>	Frame	Base	3	725/105471-	
		<b>413 4415-51</b>	Frame	Base	3	-795/102509	
		<b>413 4415-61</b>	Frame	Base	3	795/102510-	
<b>2</b>	4						
<b>3</b>	2						
<b>4</b>	8						
<b>5</b>	2						
<b>6</b>	1						
		<b>432 1453-01</b>	•Tensioner	•Crochet	3		
		<b>725 2465-71</b>	•Screw	•Vis	3	M8X70	
		<b>471 7807-02</b>	•Tension plate	•Tôle de serrage	3	18x8,4x2	
		<b>732 2118-01</b>	•Locking nut	•Contre-écrou	3	M8	
		<b>432 1451-01</b>	•Bracket	•Support	3		
		<b>432 1451-02</b>	•Bracket	•Support	3		
<b>7</b>	3						
	3						
	3						
	3						
	3						
	3						
	3						
	3						
		<b>471 9821-01</b>	Heating element	Élément chauffant	1,2	2,5kW 240V	
		<b>471 9821-04</b>	Heating element	Élément chauffant	1,2	1kW 240V	
		<b>471 9821-05</b>	Heating element	Élément chauffant	1,2	1,8kW 240V	
		<b>471 9821-06</b>	Heating element	Élément chauffant	1,2	0,665kW 240V	
		<b>471 9821-07</b>	Heating element	Élément chauffant	1,2	2,5kW 254V	
		<b>471 9821-08</b>	Heating element	Élément chauffant	1,2	2,5kW 277V	
		<b>471 9828-01</b>	Heating element	Élément de chauffage	1,2	1.33kW 230V Mop MOP	
	3						
	3						
	3						
	3						
	3						
	3						
		<b>471 9821-11</b>	Heating element	Élément chauffant	1,2	3,33kW 240V	
		<b>471 9821-15</b>	Heating element	Élément de chauffage	1,2	3.3kW 277V	
		<b>471 9821-12</b>	Heating element	Élément chauffant	1,2	2,5kW 240V	
		<b>471 9821-13</b>	Heating element	Élément chauffant	1,2	3,33kW 254V	
		<b>471 9821-14</b>	Heating element	Élément chauffant	1,2	1kW 240V	
		<b>471 9828-11</b>	Heating element	Élément de chauffage	1,2	1.6kW 230V Mop	
		<b>471 9827-01</b>	Heating element	Élément de chauffage	1,2	4.33kW 240V	
		<b>471 9827-02</b>	Heating element	Élément de chauffage	1,2	4.33kW 254V	
		<b>471 9827-03</b>	Heating element	Élément de chauffage	1,2	1.6kW 240V	
		<b>471 9827-04</b>	Heating element	Élément de chauffage	1,2	4.33kW 277V	
		<b>471 9827-11</b>	Heating element	Élément de chauffage	1,2	6kW 240V	
		<b>471 9827-12</b>	Heating element	Élément de chauffage	1,2	6KW 254V	
		<b>471 9827-13</b>	Heating element	Élément de chauffage	1,2	6kW 277V	
		<b>471 9827-21</b>	Heating element	Élément de chauffage	1,2	6.6kW 240V	
		<b>471 9827-22</b>	Heating element	Élément de chauffage	1,2	7kW 254V	
		<b>471 9827-23</b>	Heating element	Élément de chauffage	1,2	7.6kW 277V	
		<b>471 9827-24</b>	Heating element	Élément de chauffage	1,2	6.36kW 230V	
<b>8</b>	1						
	1						
		<b>432 2950-01</b>	Cable set	Jeu de câbles	3	Heating 400V	
		<b>432 2951-04</b>	Cable set	Jeu de câbles	3	230V	
		<b>413 2965-12</b>	Cable set	Jeu de câbles	3	400V	
		<b>413 2965-13</b>	Cable set	Jeu de câbles	3	230V	
		<b>413 2965-24</b>	Cable set	Jeu de câbles	3	EL/DS	
		<b>413 2965-25</b>	Cable set	Jeu de câbles	3	1AC 240V/3AC 415V	





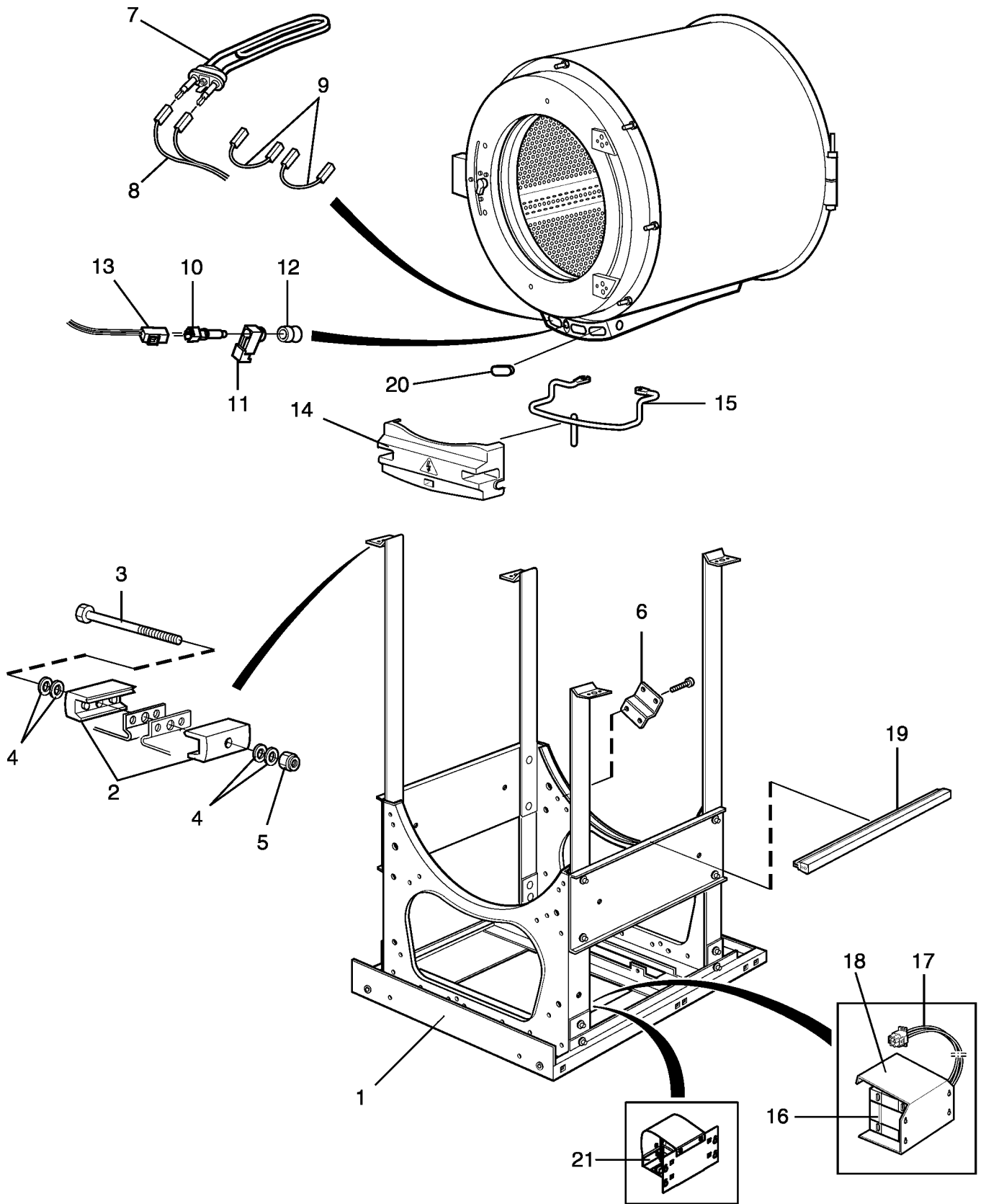
**W620cc,W625cc,W630cc,W640cc,W655cc,W675cc**

**Base and outer drum**

**Base et tambour externe**

Illustration Issue Month Year  
Schéma Issue Month Year  
**102674 2 12 2009**

Item Article	Quantity Quantité	Art.No Réf. article	Description	Description	Info Info	Notes Remarques
	W620cc					
	W625cc					
	W630cc					
	W640cc					
	W655cc					
	W675cc					
		1	413 2965-22	Cable set		3 400V
		1	413 2965-23	Cable set		3 230V 1AC/230V 3AC 230V
		1	413 2965-02	Cable set		3 400V
		1	413 2965-03	Cable set		3 230V
		1	413 2965-04	Cable set		3 EL/DS
		1	413 2965-05	Cable set		3 1AC 230V/3AC 415V
9	2	2	432 2953-01	Cable set		3
		2	413 2965-11	Cable set		3 400V
10	1	1	413 2965-01	Cable set		3 400V 400V
11	1	1	472 9904-98	Sensor		1,2 Complete
12	1	1		•Discharge		•Collier de serrage
13	1	1		•Bushing		•Douille
		1	413 3272-04	Cable set		3
		1	413 3272-11	Cable set		3 Temp
		1	413 3272-24	Cable set		3 Temp
		1	413 3272-25	Cable set		3 Temp
14	1	1	432 1654-01	Cover		3
15	1	1	432 1653-01	Clamp		3
16	1	1	438 9569-01	Transformer		1 200V
	1		438 9565-01	Transformer		1 100-120V - 520/121663, -521/402182
	1		471 9550-32	Transformer		1 100-120V 521/402183-
	1	1	438 9566-01	Transformer		1 400- 480V
		1	438 9565-01	Transformer		3 100-120V
		1	438 9562-01	Transformer		3 380-480V
		1	438 9572-01	Transformer		3 100-120V
		1	438 9573-01	Transformer		3 100-120V
		1	438 9563-01	Transformer		3 380-480V
17	1	1	432 2985-01	Cable set		3 200V
	1		432 2998-01	Cable set		3 100-120V - 520/121663, -521/402182
	1		413 2922-01	Cable set		3 100-120V 521/402183-
	1		432 2998-01	Cable set		3 380-480V
		1	432 2998-01	Cable set		3 100-120V, 400-480V
		1	432 2977-01	Cable set		3 100-120V 380-480V
18	1		432 1363-01	Bracket		3 Trafo 438956501
	1		432 1295-01	Bracket		3
		1	432 1363-01	Bracket		3
		1	432 1295-01	Bracket		3 Pupitre
		1	432 1419-01	Bracket		3 Trafo 200V
		1	432 1421-01	Bracket		3
	1	1	432 1338-01	Cover		3
19	2	2	432 2198-02	Rubber strip		3
		1	432 2198-01	Rubber strip		3
20	Rq	Rq	471 9821-99	Plug		3



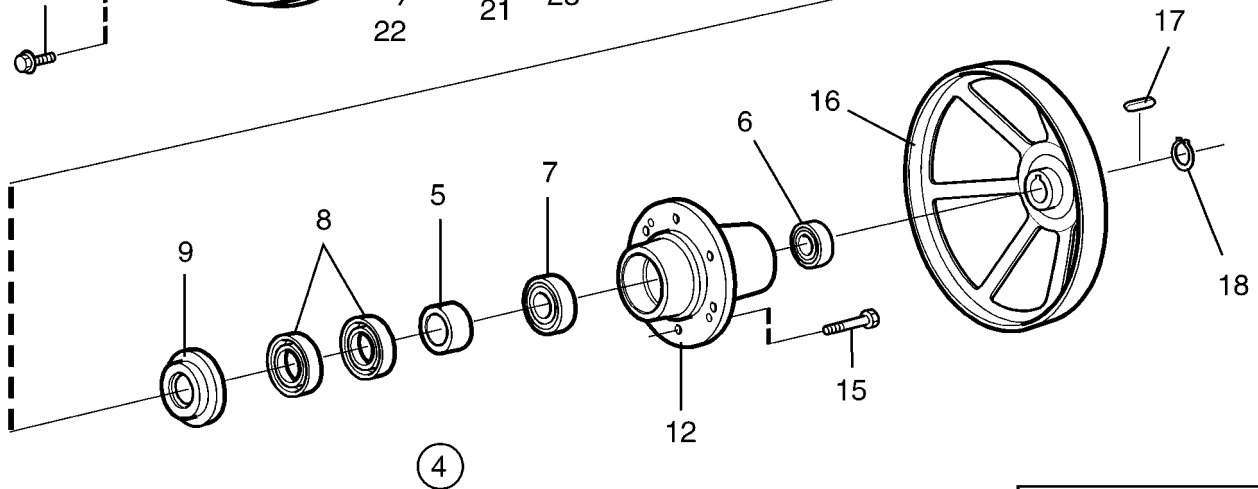
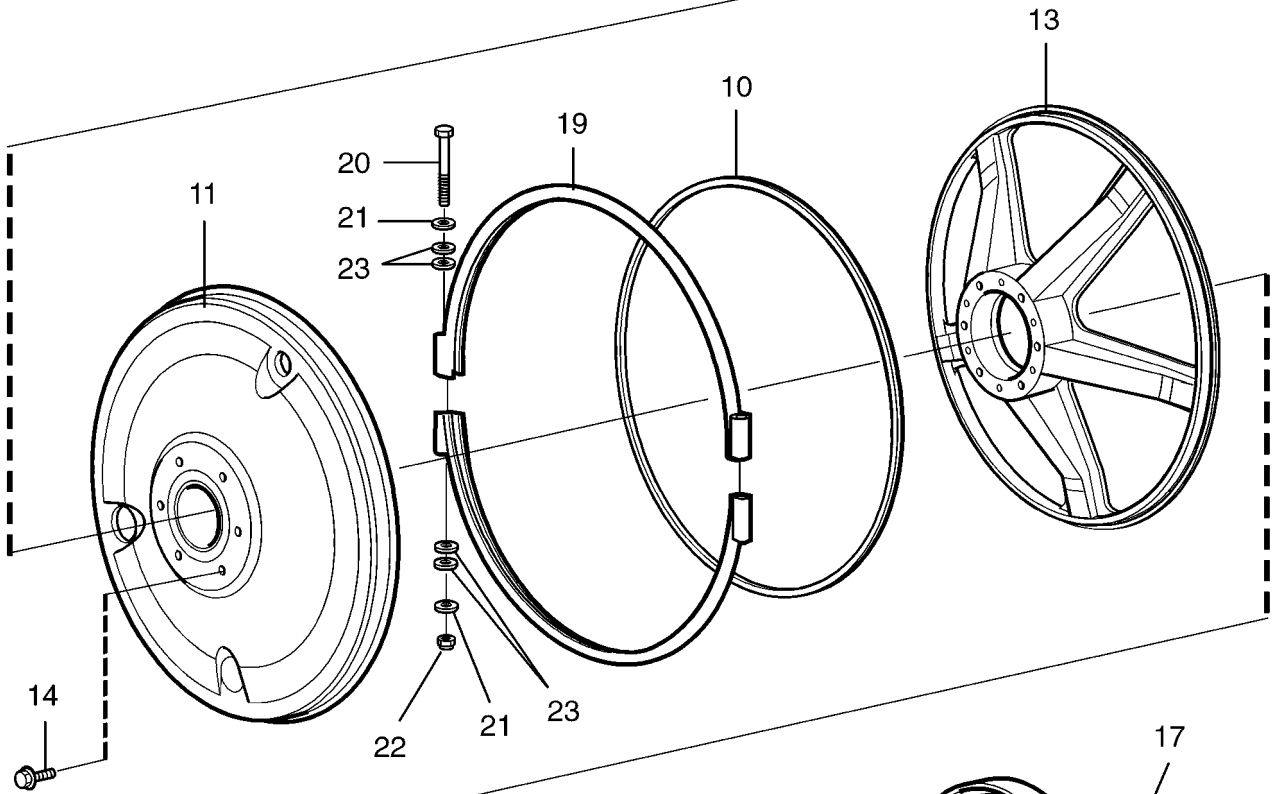
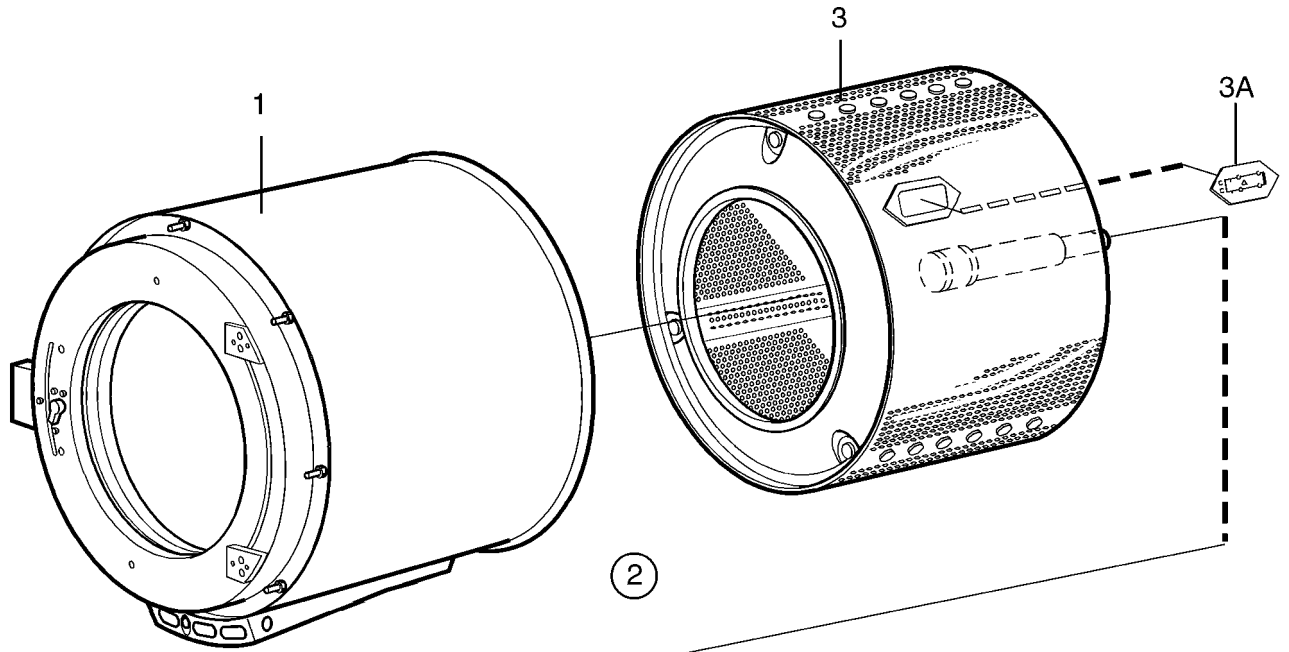
**W620cc,W625cc,W630cc,W640cc,W655cc,W675cc**

**Base and outer drum**

**Base et tambour externe**

Illustration	Issue	Month	Year
Schéma	Issue	Month	Year
<b>102674</b>	<b>2</b>	<b>12</b>	<b>2009</b>

Item Article	Quantity Quantité	Art.No Réf. article	Description	Description	Info Info	Notes Remarques
<b>21</b>	W620cc					
	W625cc					
	W630cc					
	W640cc					
	W655cc					
	W675cc					
	Rq	Rq	Rq			
	1	1		<b>471 9822-99</b> Plug		Fiche
				<b>413 3704-10</b> Choke	1	Not used 7,5A
				<b>413 3704-11</b> Choke	1	10A
				<b>413 3704-12</b> Choke	1	15A



Issue	Month	Year
02	04	08

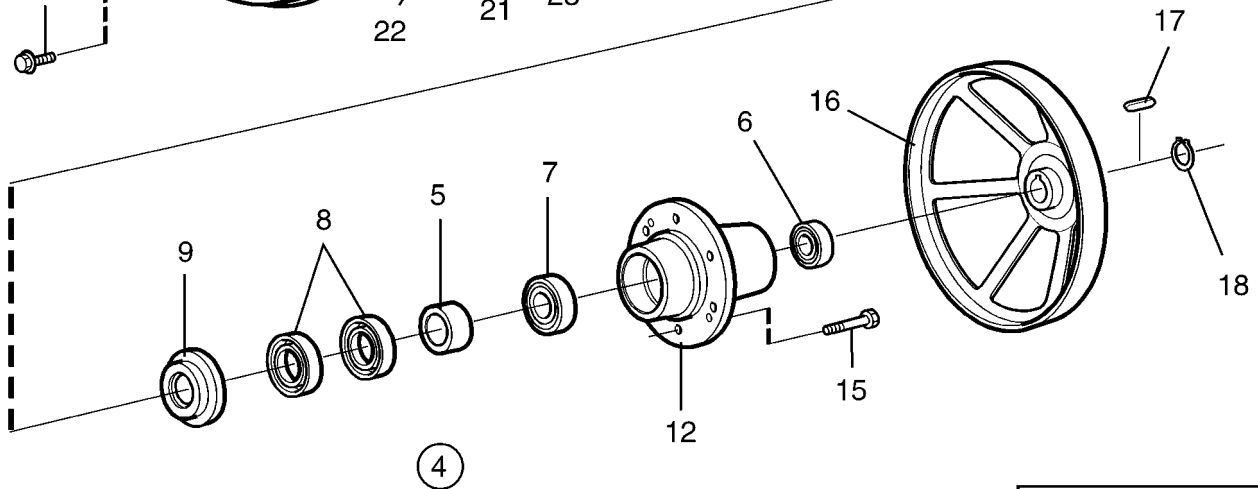
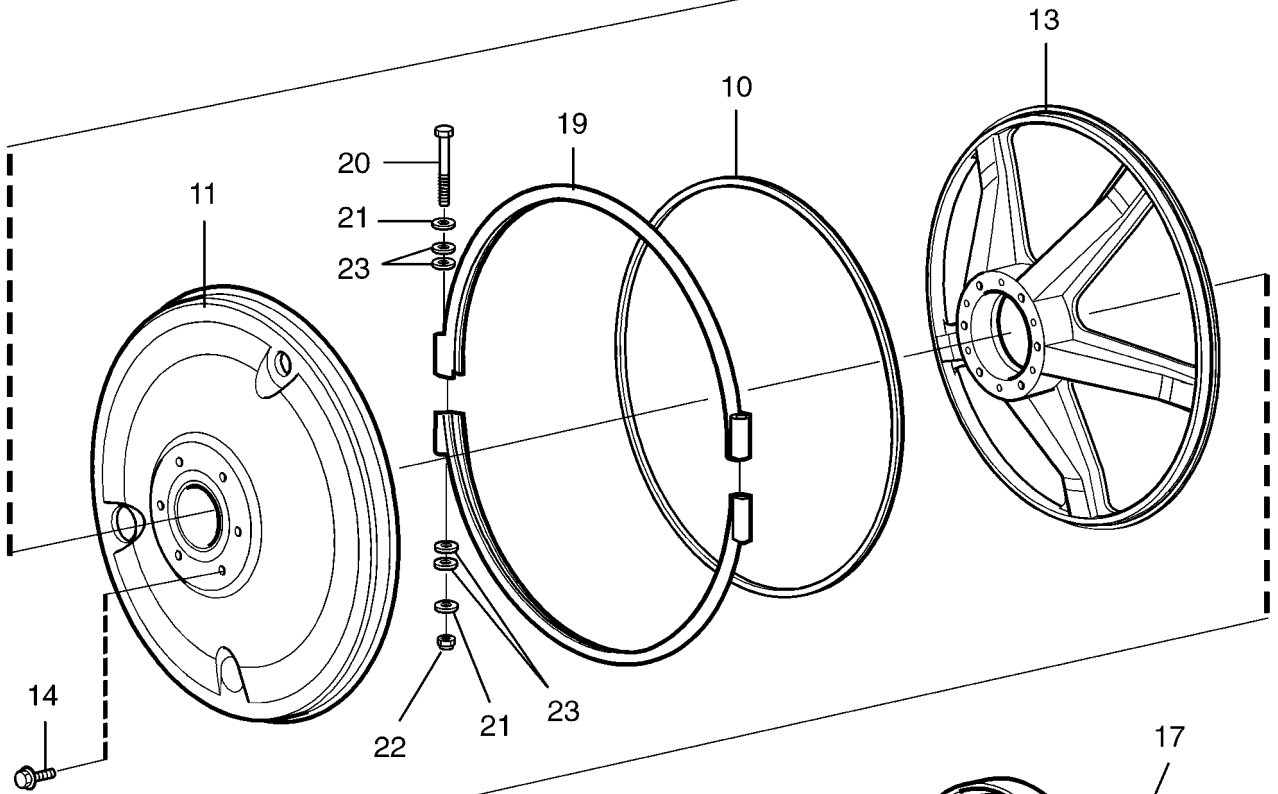
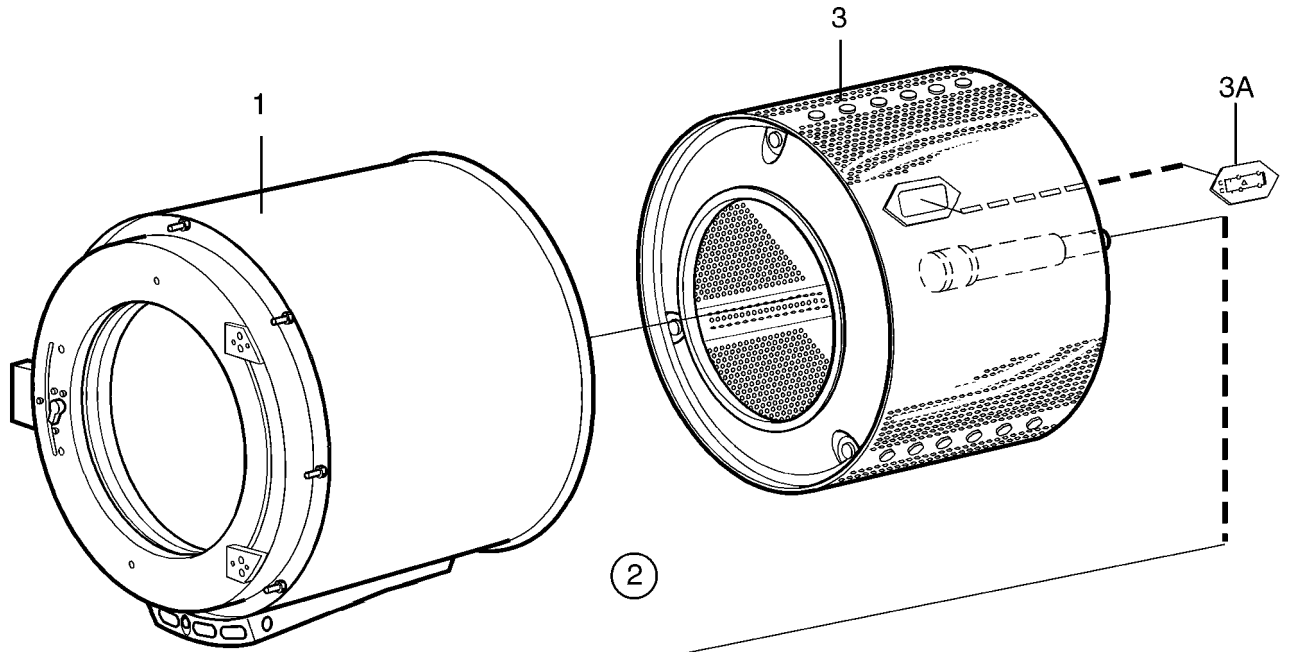
**W620cc,W625cc,W630cc,W640cc,W655cc,W675cc**

**Drum, rear gable**

**Tambour, pignon arrière**

Illustration Issue Month Year  
Schéma Issue Month Year  
**102301/1 2 1 2010**

Item Article	Quantity Quantité	Art.No Réf. article	Description	Description	Info Info	Notes Remarques	
1	1	432 1570-21	Outer drum	Tambour extérieur	3	Non-heated	
	1	432 1570-22	Outer drum	Tambour extérieur	3	El/Dual heating	
	1	432 1570-23	Outer drum	Tambour extérieur	3	Steam	
	1	432 1571-01	Outer drum	Tambour extérieur	3	Non-heated	
	1	432 1571-02	Outer drum	Tambour extérieur	3	El/Dual heating	
	1	432 1571-03	Outer drum	Tambour extérieur	3	Steam	
	1	432 1571-11	Outer drum	Tambour extérieur	3	Non-heated	
	1	432 1571-12	Outer drum	Tambour extérieur	3	El/Dual heating	
	1	432 1571-13	Outer drum	Tambour extérieur	3	Steam	
	1	432 1572-11	Outer drum	Tambour extérieur	3	Non-heated	
	1	432 1572-12	Outer drum	Tambour extérieur	3	El/Dual heating	
	1	432 1572-13	Outer drum	Tambour extérieur	3	Steam	
	1	432 1573-11	Outer drum	Tambour extérieur	3	Non-heated	
	1	432 1573-12	Outer drum	Tambour extérieur	3	El/Dual heating	
	1	432 1573-13	Outer drum	Tambour extérieur	3	Steam	
	2	1	432 1574-31	Outer drum	Tambour extérieur	3	Non-heated
		1	432 1574-32	Outer drum	Tambour extérieur	3	El/Dual heating
1		432 1574-33	Outer drum	Tambour extérieur	3	Steam	
1		432 1605-41	Rear gable	Pignon arrière	3	Complete	
1		432 1606-01	Rear gable	Pignon arrière	3	Complete	
1		432 1606-03	Rear gable	Pignon arrière	3	Sluice	
1		432 1606-21	Rear gable	Pignon arrière	3	Complete	
1		432 1606-22	Rear gable	Pignon arrière	3	Complete Sluice	
1		432 1607-21	Rear gable	Pignon arrière	3	Complete	
1		432 1607-22	Rear gable	Pignon arrière	3	Sluice	
3	1	432 1608-21	Rear gable	Pignon arrière	3	Complete	
	1	432 1608-22	Rear gable	Pignon arrière	3	Sluice	
	1	432 1609-41	Rear gable	Pignon arrière	3		
	1	432 1500-21	•Inner drum	•Intérieur du tambour	1		
	1	432 1501-01	•Inner drum	•Intérieur du tambour	1		
	1	432 1501-02	•Inner drum	•Intérieur du tambour	1	Sluice	
	1	432 1501-11	•Inner drum	•Intérieur du tambour	1		
	1	432 1501-12	•Inner drum	•Intérieur du tambour	1	Sluice	
	1	432 1502-11	•Inner drum	•Intérieur du tambour	1		
	1	432 1502-12	•Inner drum	•Intérieur du tambour	1	Sluice	
4	1	432 1503-11	•Inner drum	•Intérieur du tambour	1		
	1	432 1503-12	•Inner drum	•Intérieur du tambour	1	Sluice	
	1	432 1504-21	•Inner drum	•Intérieur du tambour	1		
	1	472 9913-12	•Repair kit	•Kit de reconditionnement	3		
	1	472 9913-13	•Repair kit	•Kit de reconditionnement	3		
	1	472 9913-14	•Repair kit	•Kit de reconditionnement	3		
	1	472 9913-18	•Repair kit	•Kit de reconditionnement	3		
1	472 9913-16	•Repair kit	•Kit de reconditionnement	3			
5	1	1	1	1	1	••Bushing	••Douille
6	1	1	1	1	1	••Ball bearing	••Roulement à billes
7	1	1	1	1	1	••Ball bearing	••Roulement à billes
8	2	2	2	2	2	••Sealing ring	••Bague d'étanchéité
9	1	1	1	1	1	••Sealing ring	••Bague d'étanchéité



Issue	Month	Year
02	04	08

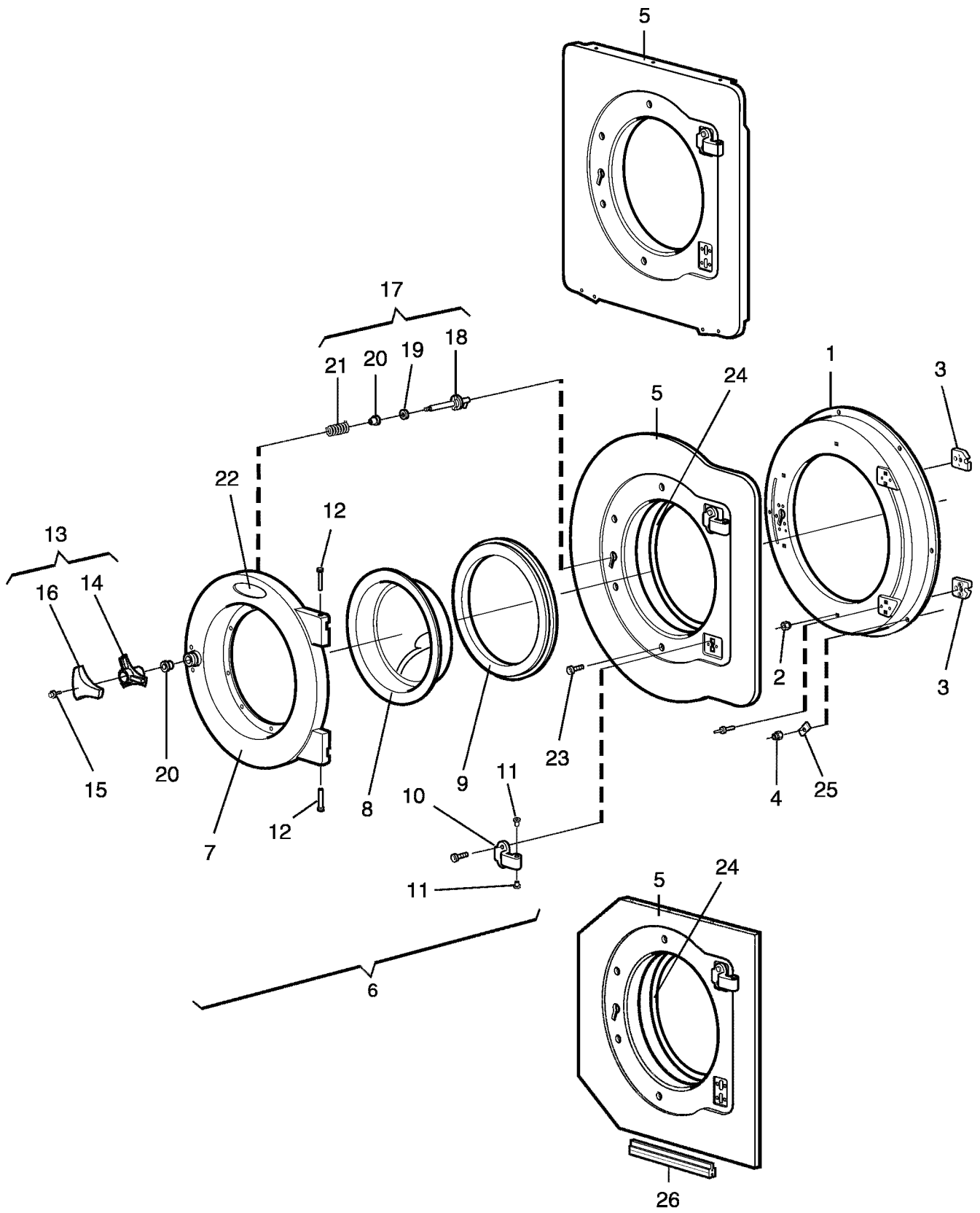
**W620cc,W625cc,W630cc,W640cc,W655cc,W675cc**

**Drum, rear gable**

**Tambour, pignon arrière**

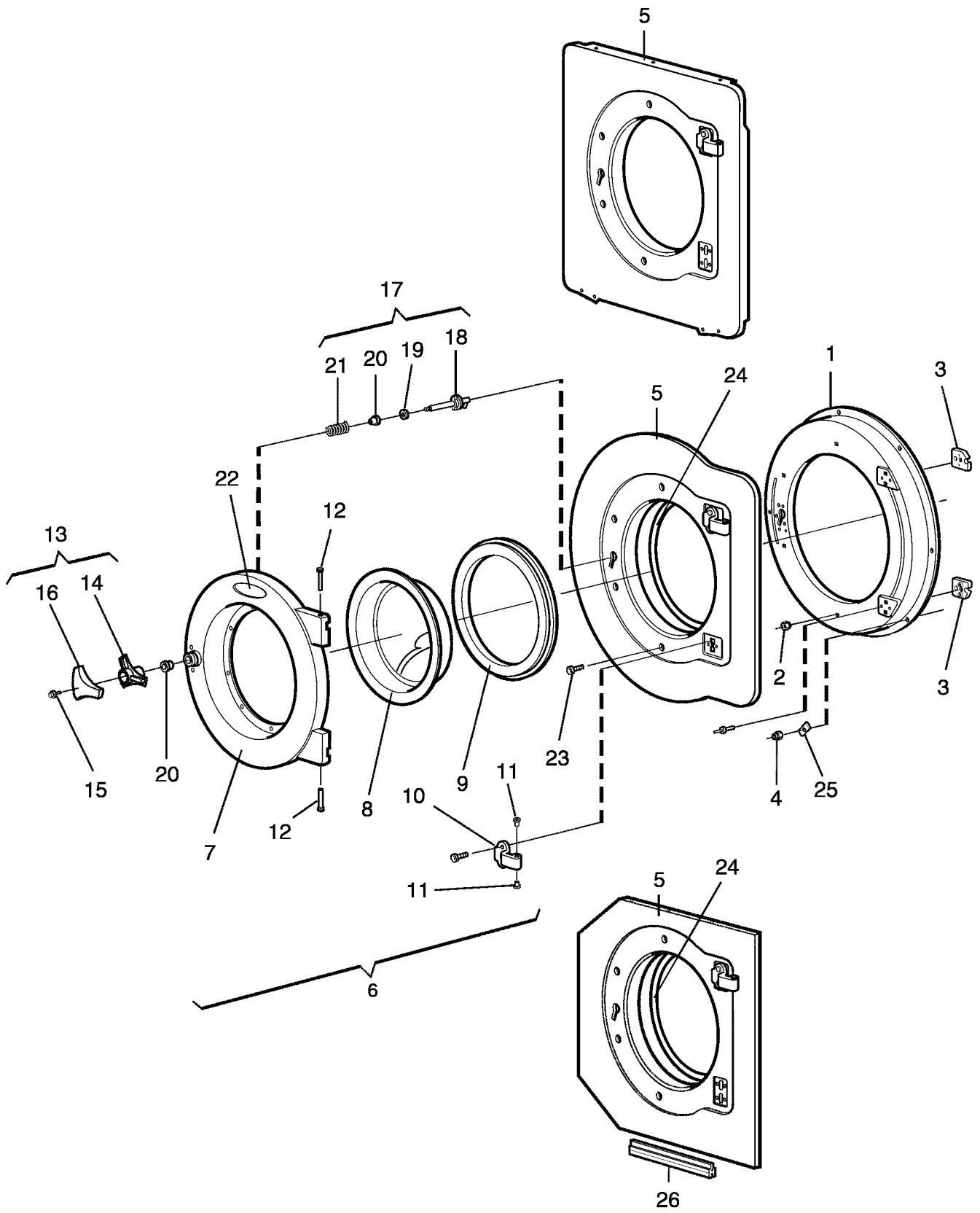
Illustration Schéma Issue Issue Month Month Year Year  
**102301/1 2 1 2010**

Item Article	Quantity Quantité	Art.No Réf. article	Description	Description	Info Info	Notes Remarques
	W620cc					
	W625cc					
	W630cc					
	W640cc					
	W655cc					
	W675cc					
10	1	438 8155-01	•Seal	•Joint		
	1	438 8155-02	•Seal	•Joint		
	1	438 8155-03	•Seal	•Joint		
	1	438 8155-04	•Seal	•Joint		
	1	438 8155-05	•Seal	•Joint		
11	1	432 1545-01	•Lining	•Panneau de renfort	3	
	1	432 1546-01	•Lining	•Panneau de renfort	3	
	1	432 1547-01	•Lining	•Panneau de renfort	3	
	1	432 1548-01	•Lining	•Panneau de renfort	3	
	1	432 1549-01	•Lining	•Panneau de renfort	3	
12	1	432 1560-01	•Bearing housing	•Logement de palier	3	
	1	432 1561-01	•Bearing housing	•Logement de palier	3	
	1	432 1562-01	•Bearing housing	•Logement de palier	3	
	1	432 1563-01	•Bearing housing	•Logement de palier	3	
	1	432 1564-01	•Bearing housing	•Logement de palier	3	
13	1	432 1540-01	•End piece	•Pignon	3	
	1	432 1541-01	•End piece	•Pignon	3	
	1	432 1542-01	•End piece	•Pignon	3	
	1	432 1543-01	•End piece	•Pignon	3	
	1	432 1544-01	•End piece	•Pignon	3	
14	6	471 8323-01	•Screw	•Vis	3	M6X12
15	6	471 8328-02	•Screw	•Vis	3	M12X50
16	1	432 1550-01	•Pulley	•Poulie	3	
	1	432 1551-01	•Pulley	•Poulie	3	
	1	432 1552-01	•Pulley	•Poulie	3	
	1	432 1553-01	•Pulley	•Poulie	3	
	1	432 1554-01	•Pulley	•Poulie	3	
17	1	735 9370-01	•Wedge	•Poulie courroie V	3	10x8x45
	1	735 9501-01	•Wedge	•Cale	3	14x9x50
	1	735 9630-01	•Wedge	•Cale	3	18x11x63
18	1	735 3133-00	•C-clamp	•Presse à main	3	SGA35
	1	735 3139-00	•C-clamp	•Presse à main	3	SGA 45
	1	735 3144-00	•C-clamp	•Presse à main	3	SgA55
	1	735 3147-00	•C-clamp	•Presse à main	3	SGA 60
19	2	432 1565-01	Tension strap	Extenseur	3	
	2	432 1566-01	Tension strap	Extenseur	3	
	2	432 1567-01	Tension strap	Extenseur	3	
	2	432 1568-01	Tension strap	Extenseur	3	
	2	432 1569-01	Tension strap	Extenseur	3	
20	2	471 9222-59	Screw	Vis	3	M8X140
21	4	471 8502-14	Washer	Rondelle	3	BRB 8,4X17
	4	471 8502-34	Washer	Rondelle	3	8,4x24x2
22	2	732 2118-01	Locking nut	Contre-écrou	3	M8
23	-	-	-	-		Not used
	8	471 7807-02	Tension plate	Tôle de serrage	3	18x8,4x2









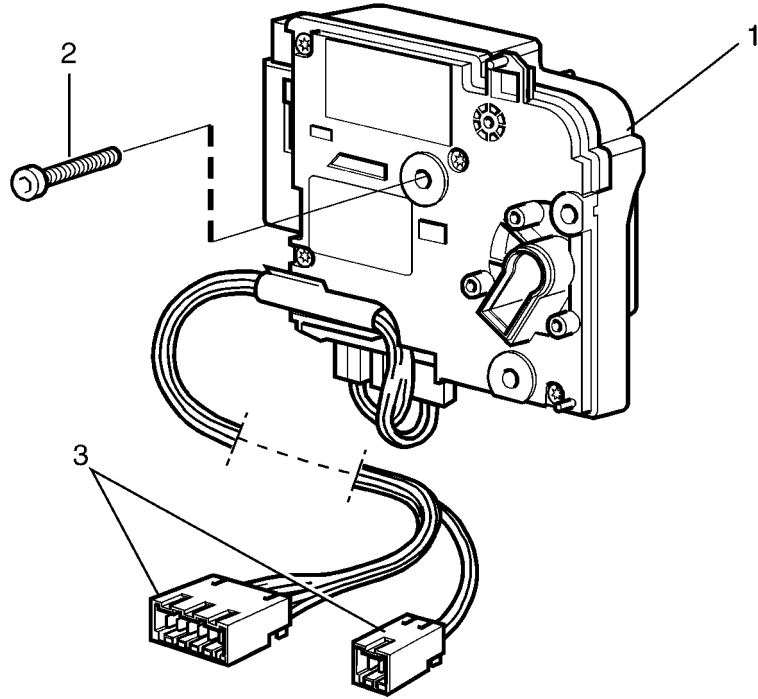
**W620cc,W625cc,W630cc,W640cc,W655cc,W675cc**

**Door and hinged joint**

**Assemblage articulé et plaque**

Illustration	Issue	Month	Year
Schéma	Issue	Month	Year
<b>102302/1</b>	<b>6</b>	<b>8</b>	<b>2009</b>

Item Article	Quantity Quantité	Art.No Réf. article	Description	Description	Info Info	Notes Remarques
W620cc   W625cc     W630cc       W640cc         W655cc           W675cc           1   1   1		<b>432 2198-02</b>	Rubber strip	Joint caoutchouc	3	



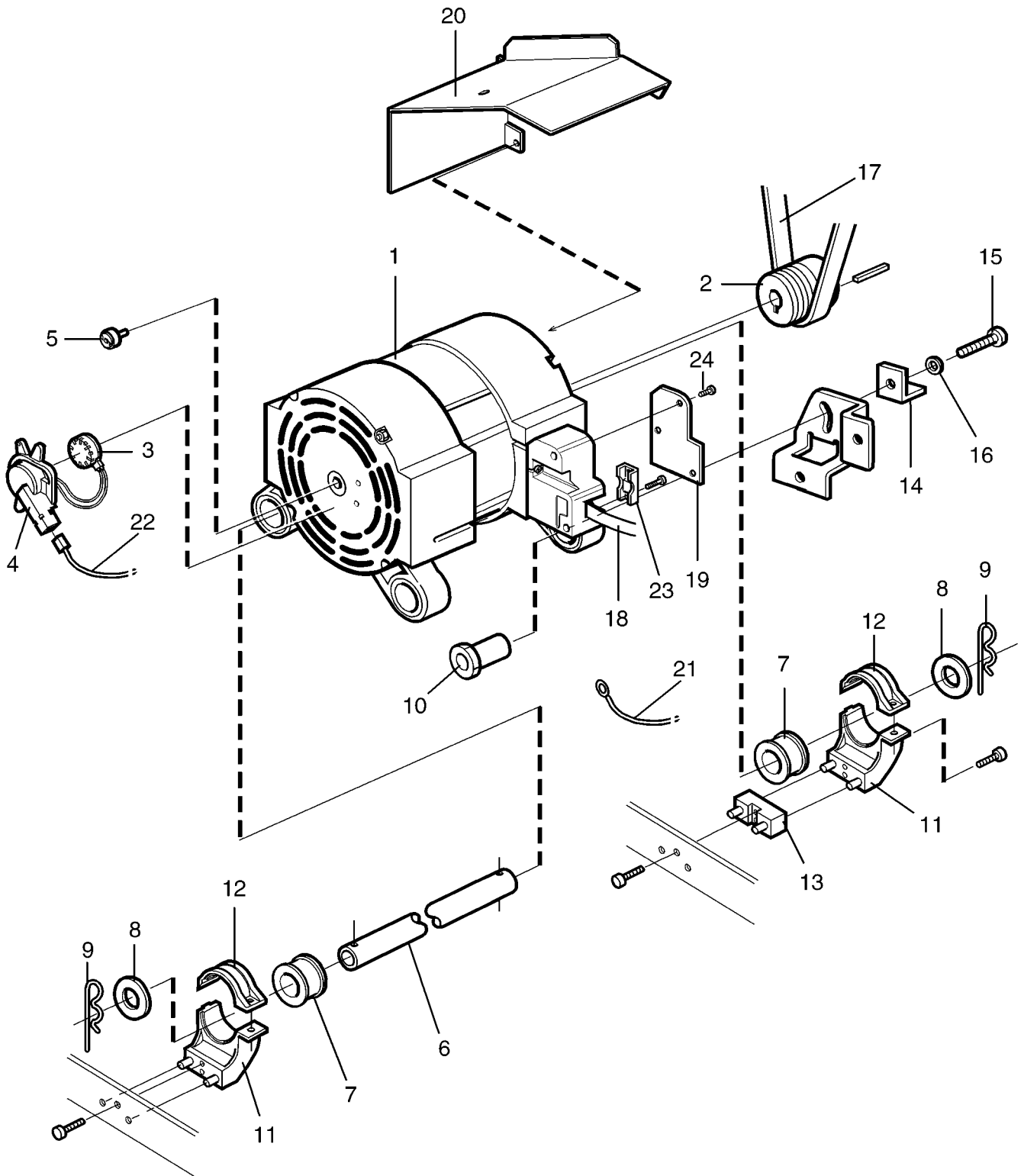
**W620cc,W625cc,W630cc,W640cc,W655cc,W675cc**

**Door lock**

**Serrure de porte**

Illustration Issue Month Year  
Schéma Issue Month Year  
**102500/1 1 1 2007**

Item Article	Quantity Quantité							Art.No Réf. article	Description	Description	Info Info	Notes Remarques
	W620cc											
	W625cc											
	W630cc											
	W640cc											
	W655cc											
	W675cc											
<b>1</b>	1	1	1	1	1	1	<b>438 9561-01</b>	Door locking device	Serrure de porte	1,2	Complete	
<b>2</b>	3	3	3	3	3	3	<b>471 8342-47</b>	Screw	Vis	3	M6X25	
<b>3</b>	1						<b>432 2905-06</b>	Cable set	Jeu de câbles	3		
		1	1				<b>432 2905-08</b>	Cable set	Jeu de câbles	3		
				1			<b>432 2905-10</b>	Cable set	Jeu de câbles	3		
					1		<b>432 2905-12</b>	Cable set	Jeu de câbles	3		
						1	<b>432 2905-14</b>	Cable set	Jeu de câbles	3		



Issue	Month	Year
01	01	07

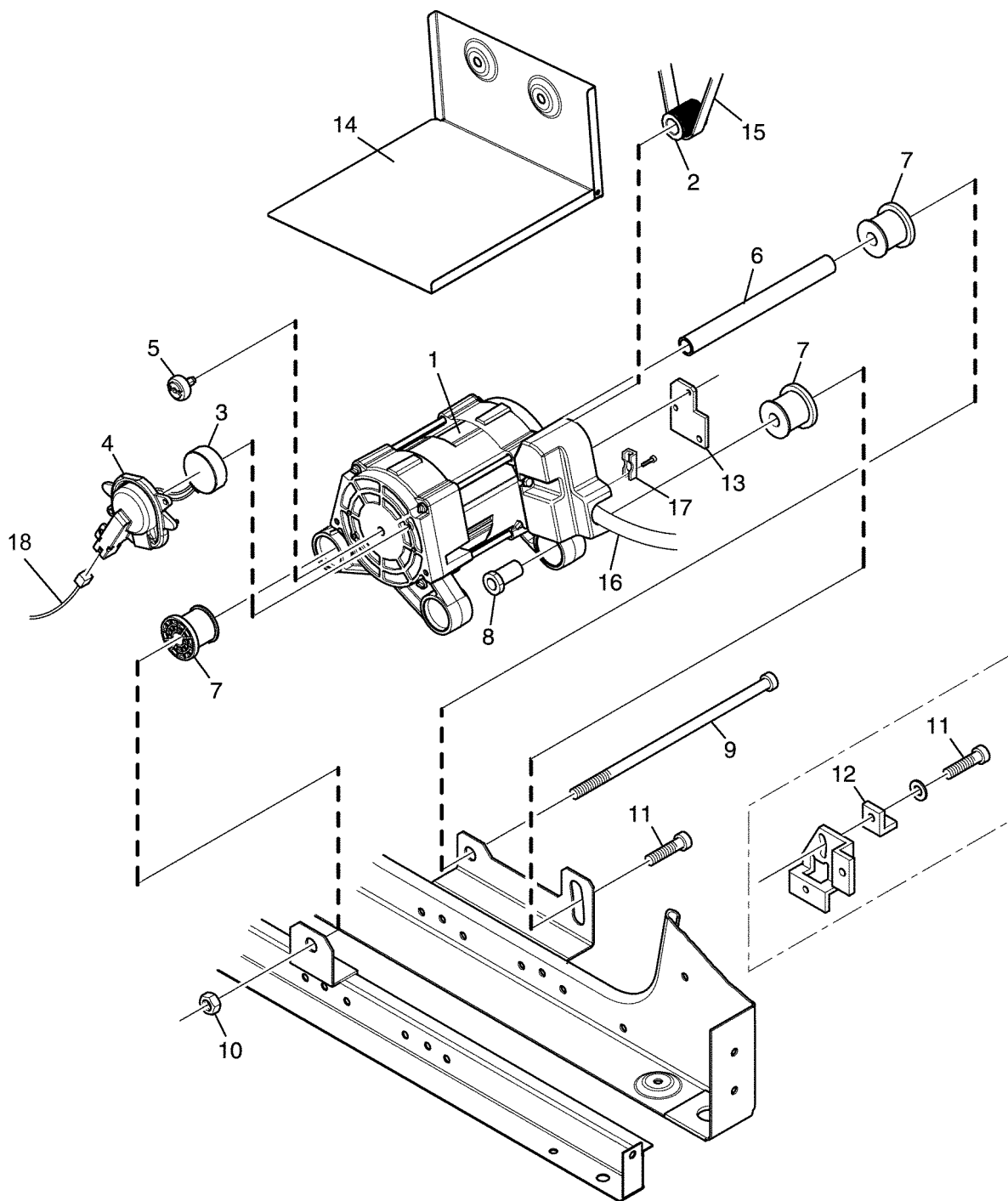
**W620cc -520/121663, 521/400019-402182**

**Motor**

**Moteur**

Illustration Issue Month Year  
Schéma Issue Month Year  
**102504/1 5 10 2009**

Item Article	Qua. Qua.	Art.No Réf. article	Description	Description	Info Info	Notes Remarques
<b>1</b>	1	<b>438 9701-41</b>	Motor	Moteur	1,2	Complete
<b>2</b>	1		•Pulley	•Poulie	3	
<b>3</b>	1	<b>471 8826-01</b>	•Tacho sensor	•Tacho sensor	3	
<b>4</b>	1	<b>432 1229-01</b>	•Cover	•Couvercle	1	
<b>5</b>	1	<b>471 8827-01</b>	•Magnet	•Aimant	3	
<b>6</b>	1	<b>438 0016-09</b>	•Pipe	•Tube	3	
<b>7</b>	2	<b>438 0489-01</b>	•Damper	•Amortisseur	3	
<b>8</b>	2	<b>471 8502-24</b>	•Washer	•Rondelle	3	12x35
<b>9</b>	2	<b>471 7867-01</b>	•Pin	•Goupille/broche	3	
<b>10</b>	1	<b>432 1465-01</b>	•Flange bushing	•Douille à bride	3	
<b>11</b>	2	<b>432 1463-01</b>	Bracket	Support de montage	3	
<b>12</b>	2	<b>432 1472-01</b>	Clamp	Bride de fixation	3	
<b>13</b>	1	<b>432 1476-01</b>	Spacer	Entretoise	3	
<b>14</b>	1	<b>432 1455-01</b>	Washer	Rondelle	3	
<b>15</b>	1	<b>725 2538-51</b>	Screw	Vis	3	M12X35
<b>16</b>	1	<b>471 8502-10</b>	Washer	Rondelle	3	12x35
<b>17</b>	1	<b>471 7711-06</b>	Ribbed belt	Courroie poly V	1,2	
<b>18</b>	1	<b>413 2990-03</b>	Cable set	Jeu de câbles	3	
<b>19</b>	1	<b>438 9799-03</b>	Cover	Couvercle	3	
<b>20</b>	1	<b>472 9913-86</b>	Drip guard	Lèche-goutte	3	COMPL.
<b>21</b>	1	<b>432 2983-03</b>	Cable set	Jeu de câbles	3	
<b>22</b>	1	<b>413 3272-05</b>	Cable set	Jeu de câbles	3	
<b>23</b>	1	<b>438 9799-02</b>	Clamp	Attache	3	
<b>24</b>	3	<b>471 8342-13</b>	Screw	Vis	3	MRT-TT 4X10





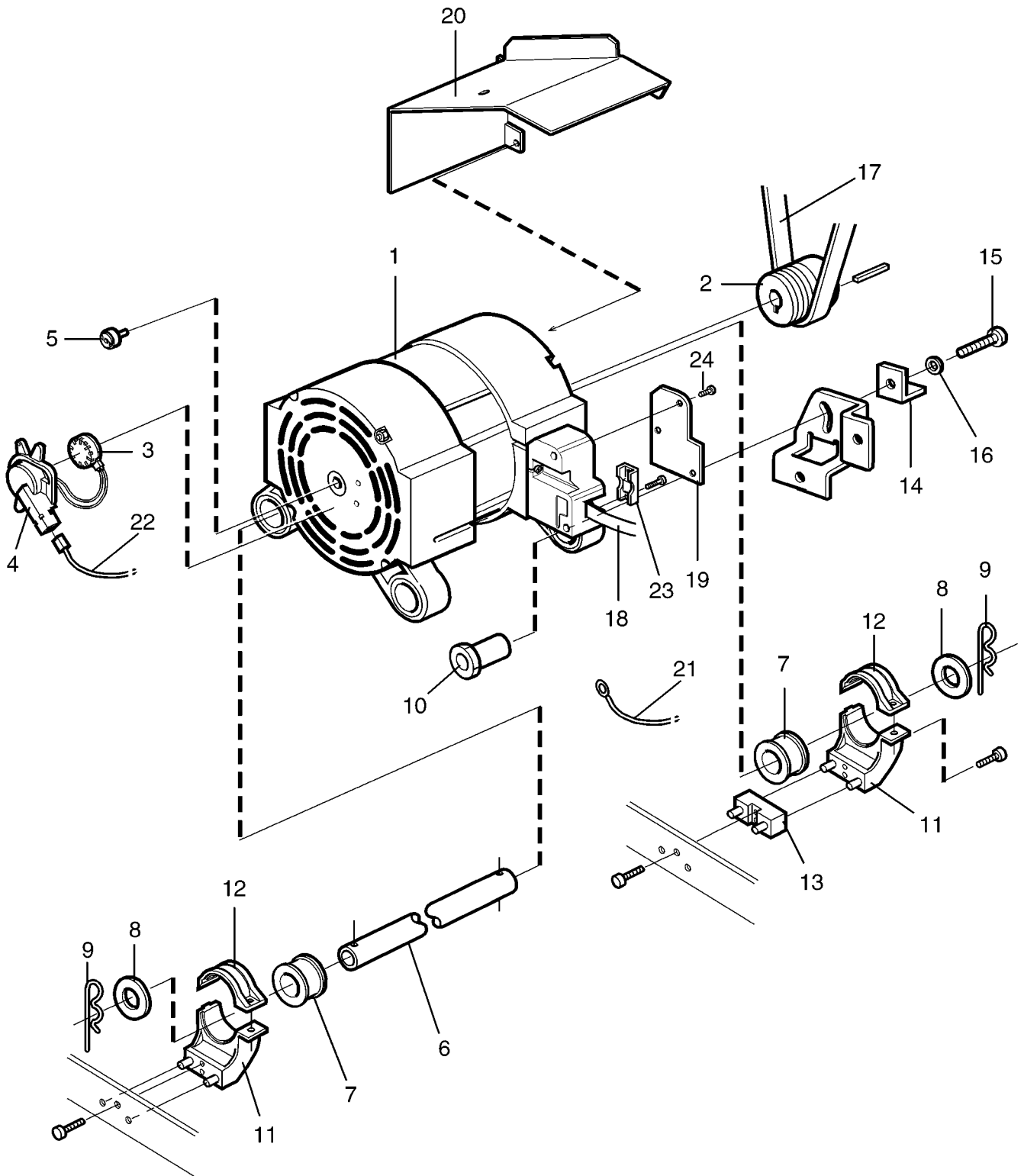
**W620cc 521/402183-**

**Motor**

**Moteur**

Illustration Issue Month Year  
Schéma Issue Month Year  
**102665 4 10 2010**

Item Article	Qua. Qua.	Art.No Réf. article	Description	Description	Info Info	Notes Remarques
<b>1</b>	1	<b>413 9701-21</b>	Motor	Moteur	1	
<b>2</b>	1		•Pulley	•Poulie		
<b>3</b>	1	<b>471 8826-01</b>	•Tacho sensor	•Tacho sensor	1	
<b>4</b>	1	<b>432 1229-01</b>	•Cover	•Couvercle	3	
<b>5</b>	1	<b>471 8827-01</b>	•Magnet	•Aimant	3	
<b>6</b>	1		•Pipe	•Tube		
<b>7</b>	3	<b>438 8158-01</b>	•Rubber bushing	•Douille caoutchouc	3	
<b>8</b>	1	<b>432 1465-01</b>	•Flange bushing	•Douille à bride	3	
<b>9</b>	1	<b>471 8356-10</b>	Screw	Vis	3	M12x200
<b>10</b>	1	<b>732 2122-01</b>	Locking nut	Contre-écrou	3	M12
<b>11</b>	1	<b>471 8328-10</b>	Screw	Vis	3	M12X35
<b>12</b>						Not used
<b>13</b>	1	<b>438 9799-03</b>	Cover	Couvercle	3	
<b>14</b>	1	<b>413 1211-01</b>	Drip guard	Lèche-goutte	3	
<b>15</b>	1	<b>471 7711-14</b>	Ribbed belt	Courroie poly V	3	
<b>16</b>	1	<b>413 2990-08</b>	Cable set	Jeu de câbles	3	
<b>17</b>	1	<b>438 9799-02</b>	Clamp	Attache	3	
* <b>18</b>	1	<b>413 3272-10</b>	Cable set	Jeu de câbles	3	



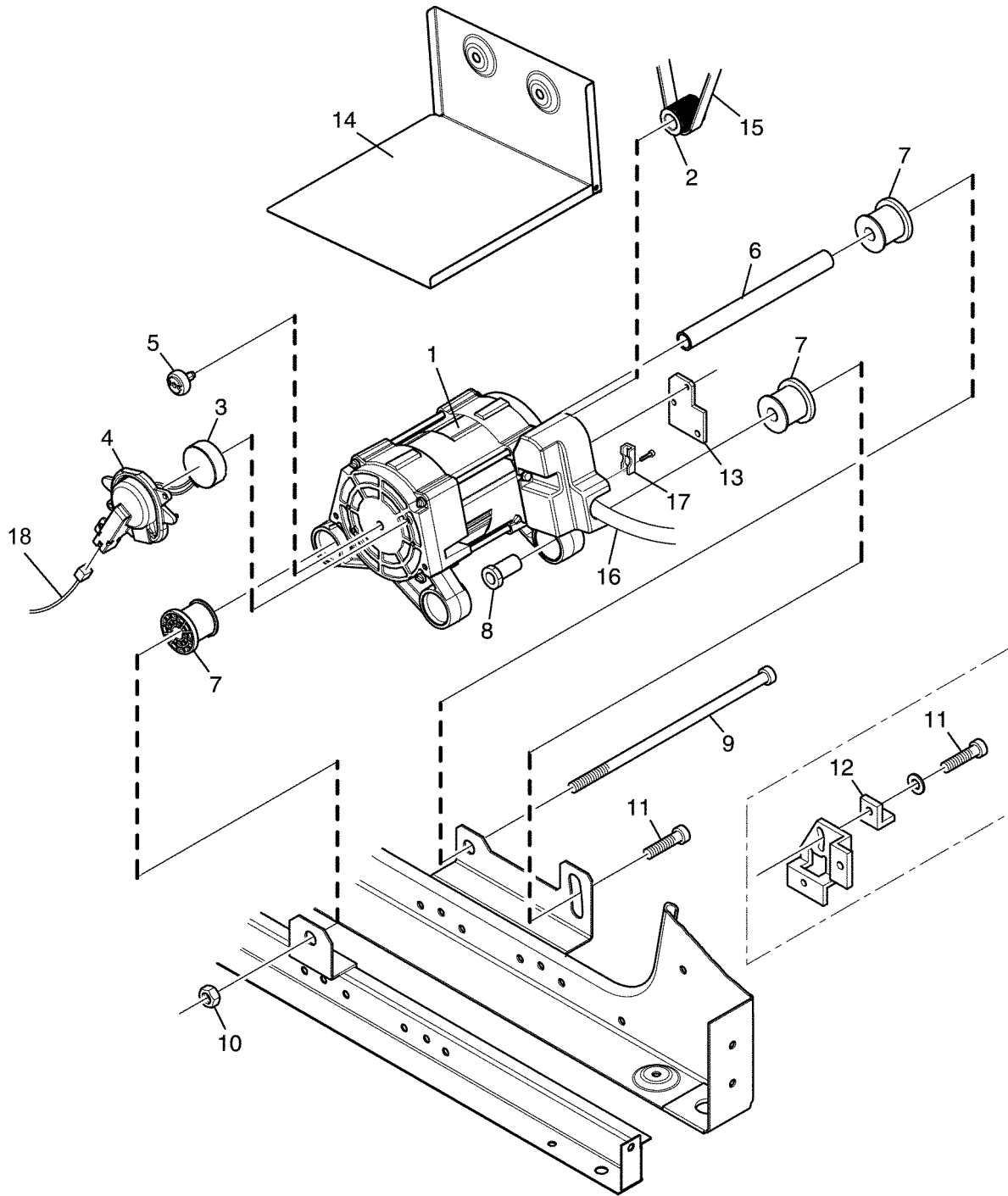
**W625cc -595/106656, 521/400164-402182**

**Motor**

**Moteur**

Illustration Issue Month Year  
Schéma Issue Month Year  
**102504/1 4 5 2009**

Item Article	Qua. Qua.	Art.No Réf. article	Description	Description	Info Info	Notes Remarques
<b>1</b>	1	<b>438 9702-41</b>	Motor	Moteur	1,2	Complete Complete
<b>2</b>	1		•Pulley	•Poulie	3	
<b>3</b>	1	<b>471 8826-01</b>	•Tacho sensor	•Tacho sensor	3	
<b>4</b>	1	<b>432 1229-01</b>	•Cover	•Couvercle	1	
<b>5</b>	1	<b>471 8827-01</b>	•Magnet	•Aimant	3	
<b>6</b>	1	<b>438 0016-08</b>	•Pipe	•Tube	3	
<b>7</b>	2	<b>438 0013-01</b>	•Damper	•Amortisseur	3	
<b>8</b>	2	<b>471 8502-24</b>	•Washer	•Rondelle	3	12x35
<b>9</b>	2	<b>471 7867-01</b>	•Pin	•Goupille/broche	3	
<b>10</b>	1	<b>432 1465-01</b>	•Flange bushing	•Douille à bride	3	
<b>11</b>	2	<b>432 1463-01</b>	Bracket	Support de montage	3	
<b>12</b>	2	<b>432 1472-01</b>	Clamp	Bride de fixation	3	
<b>13</b>	1	<b>432 1476-01</b>	Spacer	Entretoise	3	
<b>14</b>	1	<b>432 1455-01</b>	Washer	Rondelle	3	
<b>15</b>	1	<b>725 2538-51</b>	Screw	Vis	3	M12X35
<b>16</b>	1	<b>471 8502-10</b>	Washer	Rondelle	3	12x35
<b>17</b>	1	<b>471 7711-09</b>	Ribbed belt	Courroie poly V	1,2	
<b>18</b>	1	<b>413 2990-04</b>	Cable set	Jeu de câbles	3	
<b>19</b>	1	<b>438 9799-03</b>	Cover	Couvercle	3	
<b>20</b>	1	<b>472 9913-86</b>	Drip guard	Lèche-goutte	3	COMPL.
<b>21</b>	1	<b>432 2983-03</b>	Cable set	Jeu de câbles	3	
<b>22</b>	1	<b>413 3272-12</b>	Cable set	Jeu de câbles	3	
<b>23</b>	1	<b>438 9799-02</b>	Clamp	Attache	3	
<b>24</b>	3	<b>471 8342-13</b>	Screw	Vis	3	MRT-TT 4X10



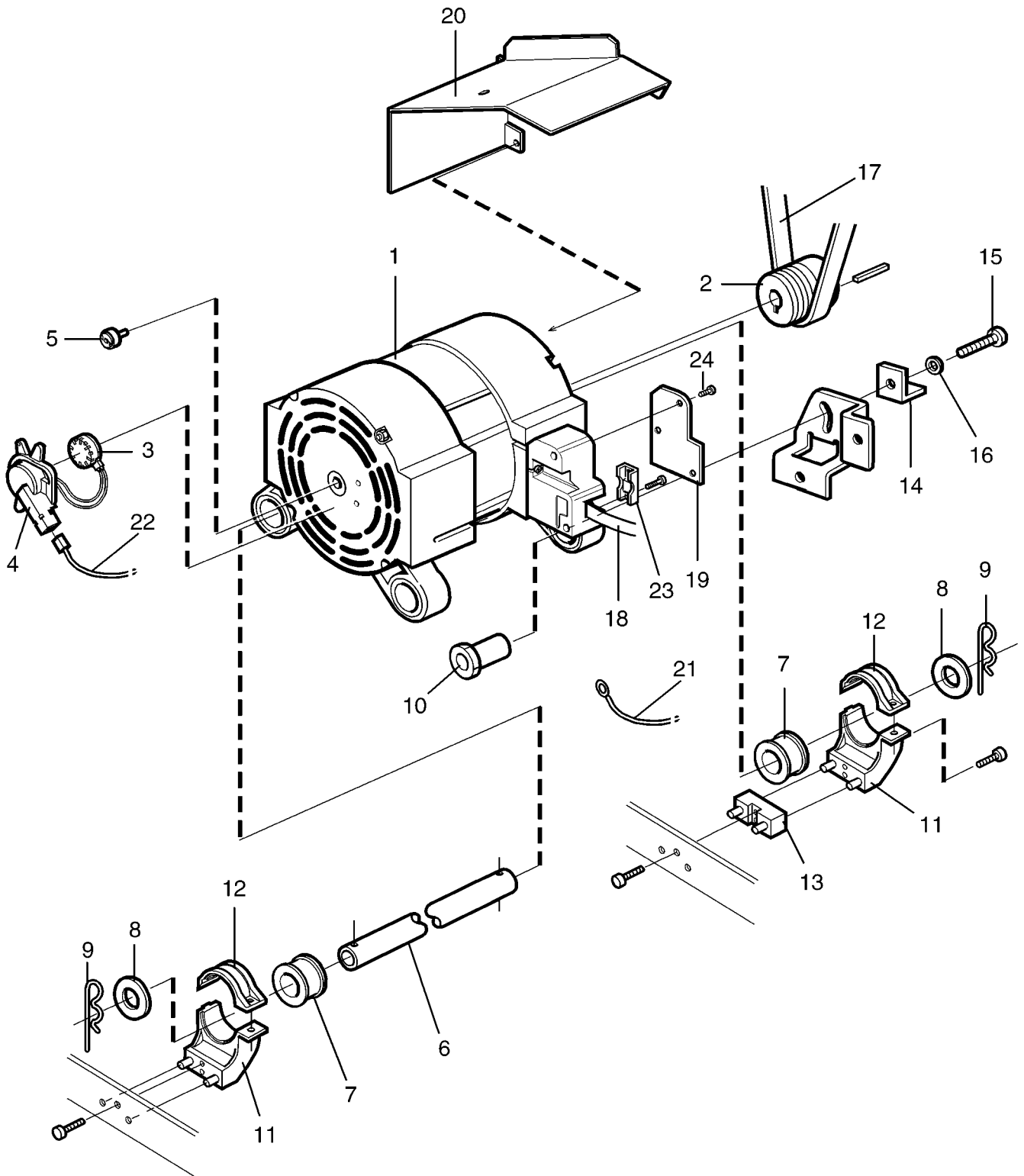
**W625cc 521/402183-**

**Motor**

**Moteur**

Illustration Issue Month Year  
Schéma Issue Month Year  
**102665 3 10 2010**

Item Article	Qua. Qua.	Art.No Réf. article	Description	Description	Info Info	Notes Remarques
<b>1</b>	1	<b>413 9701-21</b>	Motor	Moteur	1	
<b>2</b>	1		•Pulley	•Poulie		
<b>3</b>	1	<b>471 8826-01</b>	•Tacho sensor	•Tacho sensor	1	
<b>4</b>	1	<b>432 1229-01</b>	•Cover	•Couvercle	3	
<b>5</b>	1	<b>471 8827-01</b>	•Magnet	•Aimant	3	
<b>6</b>	1		•Pipe	•Tube		
<b>7</b>	3	<b>438 8158-01</b>	•Rubber bushing	•Douille caoutchouc	3	
<b>8</b>	1	<b>432 1465-01</b>	•Flange bushing	•Douille à bride	3	
<b>9</b>	1	<b>471 8356-10</b>	Screw	Vis	3	M12x200
<b>10</b>	1	<b>732 2122-01</b>	Locking nut	Contre-écrou	3	M12
<b>11</b>	1	<b>471 8328-10</b>	Screw	Vis	3	M12X35
<b>12</b>						Not used
<b>13</b>	1	<b>438 9799-03</b>	Cover	Couvercle	3	
<b>14</b>	1	<b>413 1211-01</b>	Drip guard	Lèche-goutte	3	
<b>15</b>	1	<b>471 7711-15</b>	Ribbed belt	Courroie poly V	3	
<b>16</b>	1	<b>413 2990-04</b>	Cable set	Jeu de câbles	3	
<b>17</b>	1	<b>438 9799-02</b>	Clamp	Attache	3	
* <b>18</b>	1	<b>413 3272-10</b>	Cable set	Jeu de câbles	3	



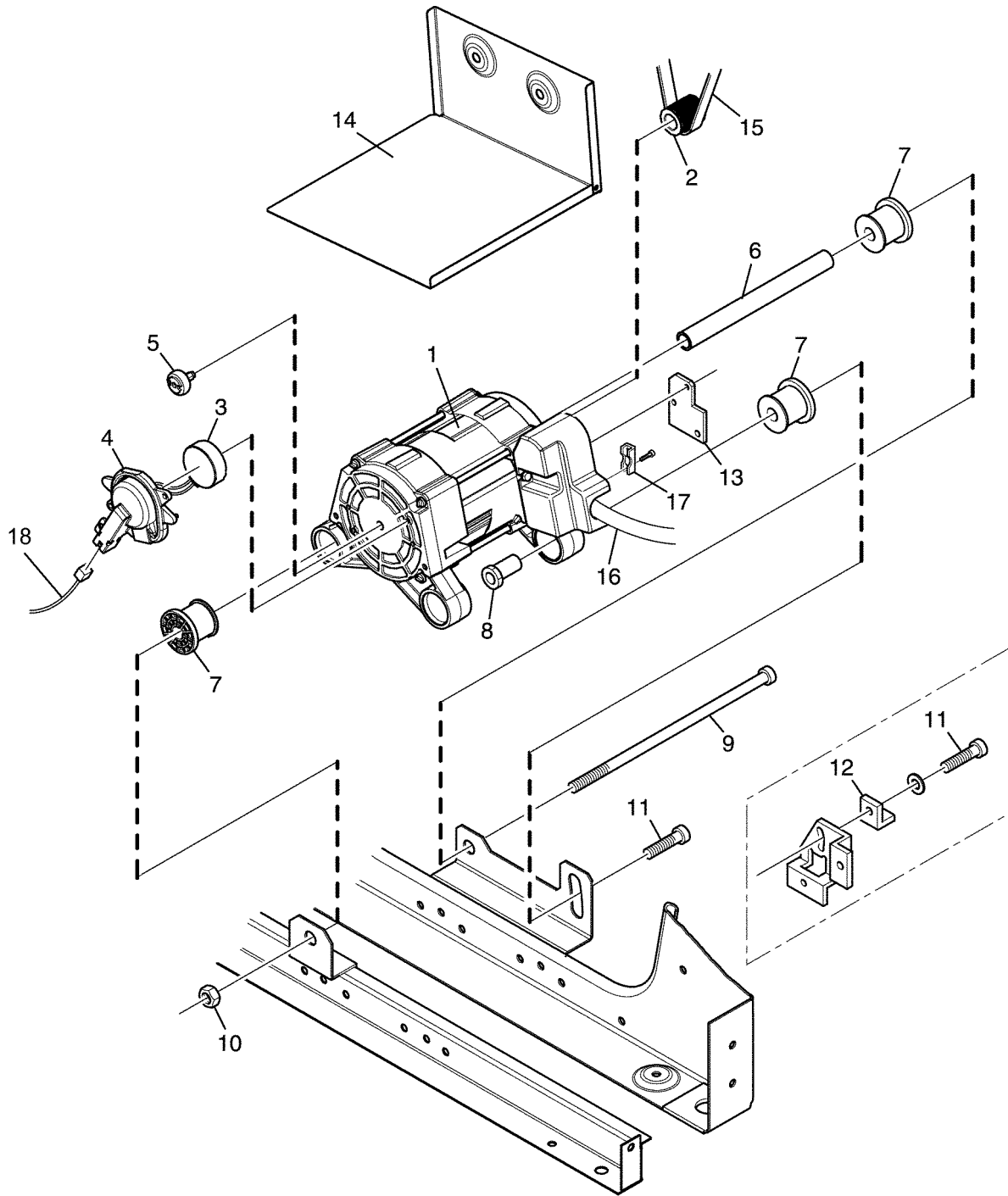
**W630cc -595/106657, 521/400104-402182**

**Motor**

**Moteur**

Illustration Issue Month Year  
Schéma Issue Month Year  
**102504/1 4 5 2009**

Item Article	Qua. Qua.	Art.No Réf. article	Description	Description	Info Info	Notes Remarques
<b>1</b>	1	<b>438 9702-51</b>	Motor	Moteur	1,2	Complete Complete
<b>2</b>	1		•Pulley	•Poulie	3	
<b>3</b>	1	<b>471 8826-01</b>	•Tacho sensor	•Tacho sensor	3	
<b>4</b>	1	<b>432 1229-01</b>	•Cover	•Couvercle	1	
<b>5</b>	1	<b>471 8827-01</b>	•Magnet	•Aimant	3	
<b>6</b>	1	<b>438 0016-11</b>	•Pipe	•Tube	3	
<b>7</b>	2	<b>438 0013-01</b>	•Damper	•Amortisseur	3	
<b>8</b>	2	<b>471 8502-24</b>	•Washer	•Rondelle	3	12x35
<b>9</b>	2	<b>471 7867-01</b>	•Pin	•Goupille/broche	3	
<b>10</b>	1	<b>432 1465-01</b>	•Flange bushing	•Douille à bride	3	
<b>11</b>	2	<b>432 1463-01</b>	Bracket	Support de montage	3	
<b>12</b>	2	<b>432 1472-01</b>	Clamp	Bride de fixation	3	
<b>13</b>	1	<b>432 1476-01</b>	Spacer	Entretoise	3	
<b>14</b>	1	<b>432 1455-01</b>	Washer	Rondelle	3	
<b>15</b>	1	<b>725 2538-51</b>	Screw	Vis	3	M12X35
<b>16</b>	1	<b>471 8502-10</b>	Washer	Rondelle	3	12x35
<b>17</b>	1	<b>471 7711-09</b>	Ribbed belt	Courroie poly V	1,2	
<b>18</b>	1	<b>413 2990-04</b>	Cable set	Jeu de câbles	3	
<b>19</b>	1	<b>438 9799-03</b>	Cover	Couvercle	3	
<b>20</b>	1	<b>472 9913-86</b>	Drip guard	Lèche-goutte	3	COMPL.
<b>21</b>	1	<b>432 2983-03</b>	Cable set	Jeu de câbles	3	
<b>22</b>	1	<b>413 3272-12</b>	Cable set	Jeu de câbles	3	
<b>23</b>	1	<b>438 9799-02</b>	Clamp	Attache	3	
<b>24</b>	3	<b>471 8342-13</b>	Screw	Vis	3	MRT-TT 4X10





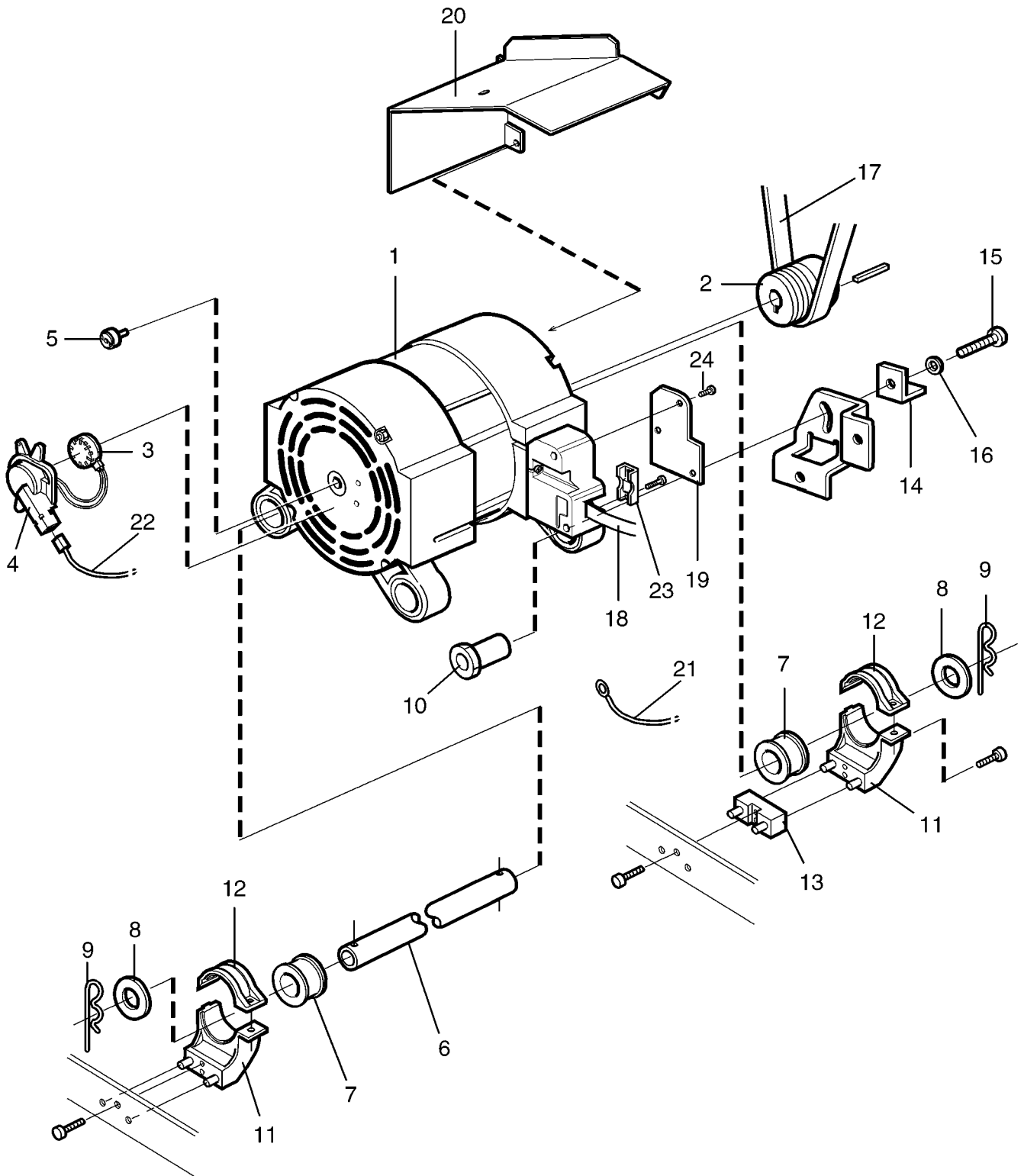
**W630cc 521/402183-**

**Motor**

**Moteur**

Illustration Issue Month Year  
Schéma Issue Month Year  
**102665 3 10 2010**

Item Article	Qua. Qua.	Art.No Réf. article	Description	Description	Info Info	Notes Remarques
<b>1</b>	1	<b>438 9702-61</b>	Motor	Moteur	1	
<b>2</b>	1		•Pulley	•Poulie		
<b>3</b>	1	<b>471 8826-01</b>	•Tacho sensor	•Tacho sensor	1	
<b>4</b>	1	<b>432 1229-01</b>	•Cover	•Couvercle	3	
<b>5</b>	1	<b>471 8827-01</b>	•Magnet	•Aimant	3	
<b>6</b>	1		•Pipe	•Tube		
<b>7</b>	3	<b>438 8158-01</b>	•Rubber bushing	•Douille caoutchouc	3	
<b>8</b>	1	<b>432 1465-01</b>	•Flange bushing	•Douille à bride	3	
<b>9</b>	1	<b>471 8356-10</b>	Screw	Vis	3	M12x200
<b>10</b>	1	<b>732 2122-01</b>	Locking nut	Contre-écrou	3	M12
<b>11</b>	1	<b>471 8328-10</b>	Screw	Vis	3	M12X35
<b>12</b>	1	<b>432 1455-01</b>	Washer	Rondelle	3	
<b>13</b>	1	<b>438 9799-03</b>	Cover	Couvercle	3	
<b>14</b>	1	<b>413 1211-01</b>	Drip guard	Lèche-goutte	3	
<b>15</b>	1	<b>471 7711-09</b>	Ribbed belt	Courroie poly V	3	
<b>16</b>	1	<b>413 2990-04</b>	Cable set	Jeu de câbles	3	
<b>17</b>	1	<b>438 9799-02</b>	Clamp	Attache	3	
* <b>18</b>	1	<b>413 3272-10</b>	Cable set	Jeu de câbles	3	



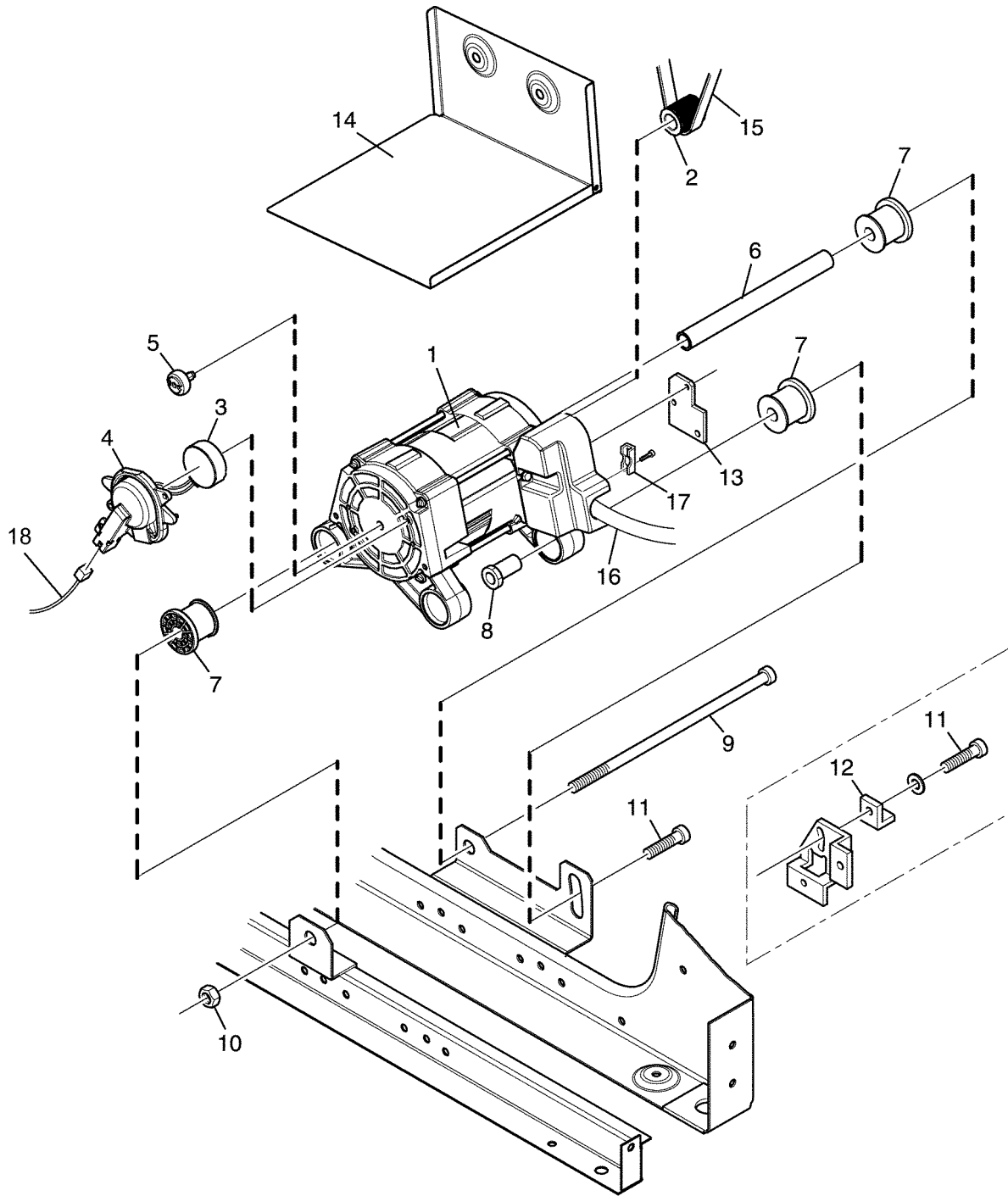
**W640cc -650/107383**

**Motor**

**Moteur**

Illustration Issue Month Year  
Schéma Issue Month Year  
**102504/1 4 5 2009**

Item Article	Qua. Qua.	Art.No Réf. article	Description	Description	Info Info	Notes Remarques
<b>1</b>	1	<b>438 9703-31</b>	Motor	Moteur	1,2	Complete Complete
<b>2</b>	1		•Pulley	•Poulie	3	
<b>3</b>	1	<b>471 8826-01</b>	•Tacho sensor	•Tacho sensor	3	
<b>4</b>	1	<b>432 1229-01</b>	•Cover	•Couvercle	1	
<b>5</b>	1	<b>471 8827-01</b>	•Magnet	•Aimant	3	
<b>6</b>	1	<b>438 0016-12</b>	•Pipe	•Tube	3	
<b>7</b>	2	<b>438 4049-01</b>	•Damper	•Amortisseur	3	
<b>8</b>	2	<b>471 8502-24</b>	•Washer	•Rondelle	3	12x35
<b>9</b>	2	<b>471 7867-01</b>	•Pin	•Goupille/broche	3	
<b>10</b>	1	<b>432 1465-01</b>	•Flange bushing	•Douille à bride	3	
<b>11</b>	2	<b>432 1463-01</b>	Bracket	Support de montage	3	
<b>12</b>	2	<b>432 1472-01</b>	Clamp	Bride de fixation	3	
<b>13</b>	1					Not used
<b>14</b>	1	<b>432 1455-01</b>	Washer	Rondelle	3	
<b>15</b>	1	<b>725 2538-51</b>	Screw	Vis	3	M12X35
<b>16</b>	1	<b>471 8502-10</b>	Washer	Rondelle	3	12x35
<b>17</b>	1	<b>471 7711-10</b>	Ribbed belt	Courroie poly V	1,2	
<b>18</b>	1	<b>413 2990-05</b>	Cable set	Jeu de câbles	3	
<b>19</b>	1	<b>438 9799-03</b>	Cover	Couvercle	3	
<b>20</b>	1	<b>472 9913-89</b>	Drip guard	Lèche-goutte	3	COMPL.
<b>21</b>	1	<b>432 2983-04</b>	Cable set	Jeu de câbles	3	
<b>22</b>	1	<b>413 3272-23</b>	Cable set	Jeu de câbles	3	
<b>23</b>	1	<b>438 9799-02</b>	Clamp	Attache	3	
<b>24</b>	3	<b>471 8342-13</b>	Screw	Vis	3	MRT-TT 4X10



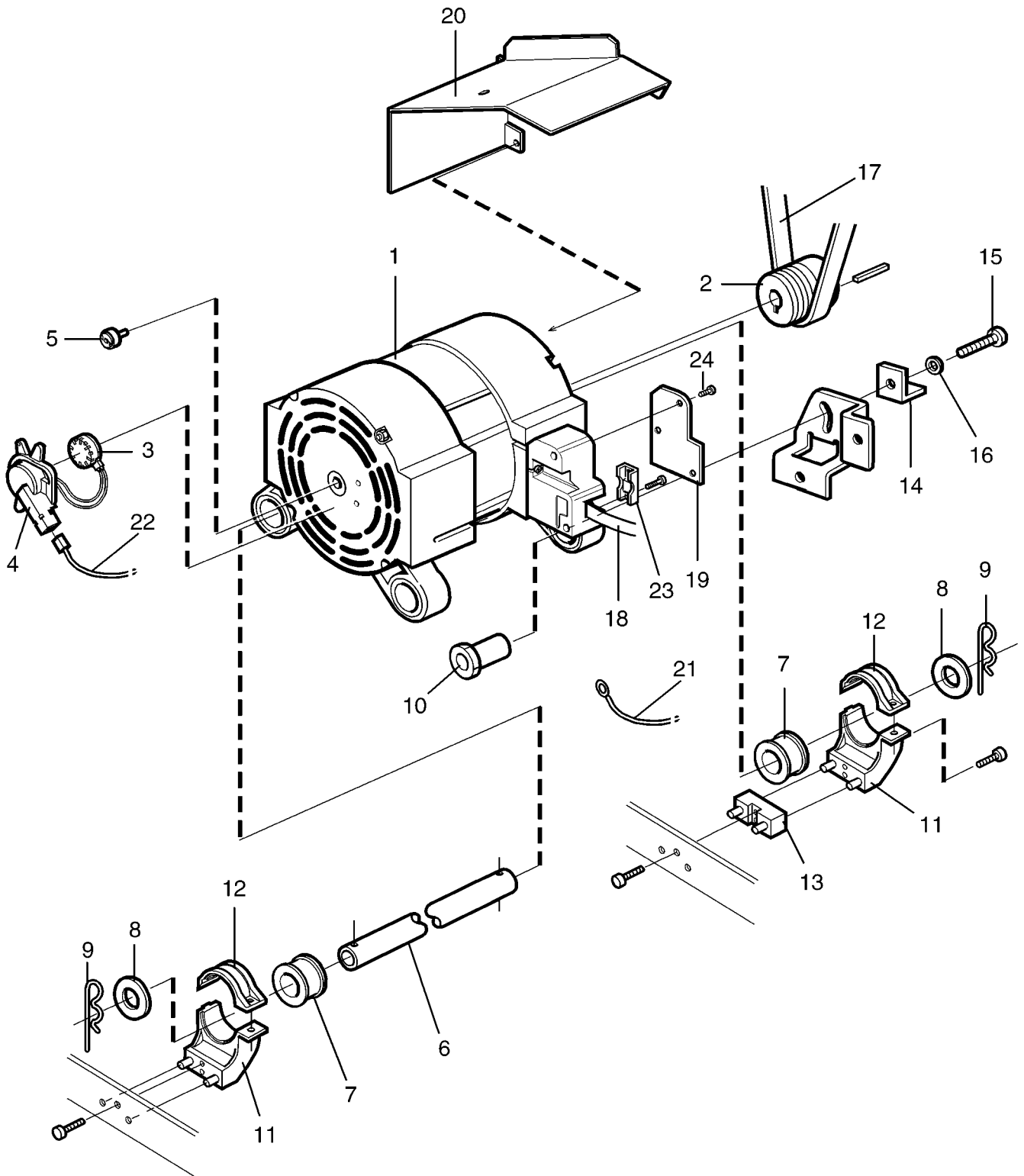
**W640cc 650/107384-999999, 651/400000-**

**Motor**

**Moteur**

Illustration Issue Month Year  
Schéma Issue Month Year  
**102665 3 10 2010**

Item Article	Qua. Qua.	Art.No Réf. article	Description	Description	Info Info	Notes Remarques
<b>1</b>	1	<b>438 9703-51</b>	Motor	Moteur	1	
<b>2</b>	1		•Pulley	•Poulie		
<b>3</b>	1	<b>471 8826-01</b>	•Tacho sensor	•Tacho sensor	1	
<b>4</b>	1	<b>432 1229-01</b>	•Cover	•Couvercle	3	
<b>5</b>	1	<b>471 8827-01</b>	•Magnet	•Aimant	3	
<b>6</b>	1		•Pipe	•Tube		
<b>7</b>	3	<b>438 8158-01</b>	•Rubber bushing	•Douille caoutchouc	3	
<b>8</b>	1	<b>432 1465-01</b>	•Flange bushing	•Douille à bride	3	
<b>9</b>	1	<b>471 8356-05</b>	Screw	Vis	3	M12x240
<b>10</b>	1	<b>732 2122-01</b>	Locking nut	Contre-écrou	3	M12
<b>11</b>	1	<b>471 8328-10</b>	Screw	Vis	3	M12X35
<b>12</b>	1	<b>432 1455-01</b>	Washer	Rondelle	3	
<b>13</b>	1	<b>438 9799-03</b>	Cover	Couvercle	3	
<b>14</b>	1	<b>413 1212-01</b>	Drip guard	Lèche-goutte	3	
<b>15</b>	1	<b>471 7711-10</b>	Ribbed belt	Courroie poly V	3	
<b>16</b>	1	<b>413 2990-05</b>	Cable set	Jeu de câbles	3	
<b>17</b>	1	<b>438 9799-02</b>	Clamp	Attache	3	
* <b>18</b>	1	<b>413 3272-16</b>	Cable set	Jeu de câbles	3	



Issue	Month	Year
01	01	07

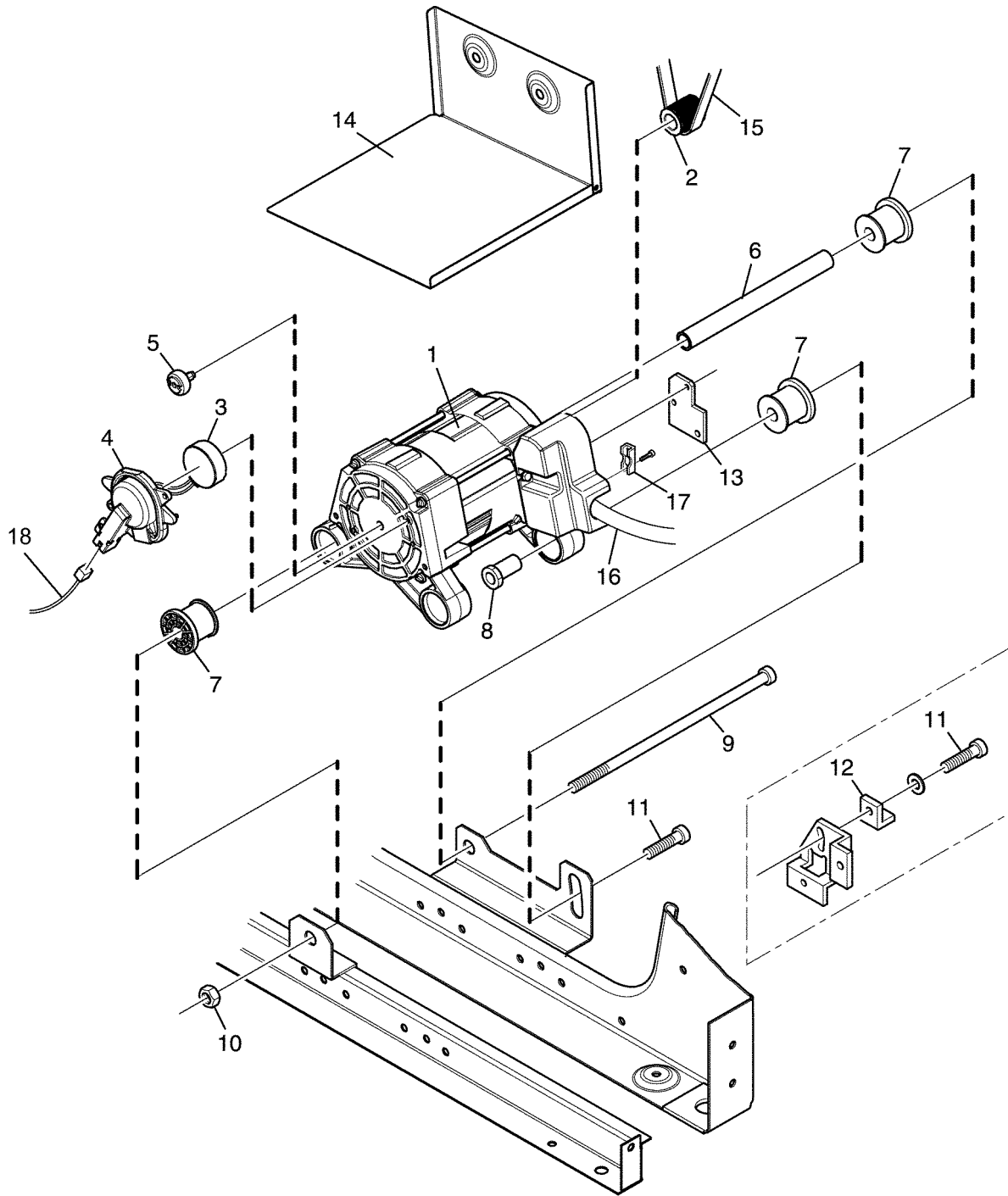
**W655cc -725/105470**

**Motor**

**Moteur**

Illustration Issue Month Year  
Schéma Issue Month Year  
**102504/1 4 5 2009**

Item Article	Qua. Qua.	Art.No Réf. article	Description	Description	Info Info	Notes Remarques
<b>1</b>	1	<b>438 9704-31</b>	Motor	Moteur	1,2	Complete Complete
<b>2</b>	1		•Pulley	•Poulie	3	
<b>3</b>	1	<b>471 8826-01</b>	•Tacho sensor	•Tacho sensor	3	
<b>4</b>	1	<b>432 1229-01</b>	•Cover	•Couvercle	1	
<b>5</b>	1	<b>471 8827-01</b>	•Magnet	•Aimant	3	
<b>6</b>	1	<b>438 0016-10</b>	•Pipe	•Tube	3	
<b>7</b>	2	<b>438 4049-01</b>	•Damper	•Amortisseur	3	
<b>8</b>	2	<b>471 8502-24</b>	•Washer	•Rondelle	3	12x35
<b>9</b>	2	<b>471 7867-01</b>	•Pin	•Goupille/broche	3	
<b>10</b>	1	<b>432 1465-01</b>	•Flange bushing	•Douille à bride	3	
<b>11</b>	2	<b>432 1463-01</b>	Bracket	Support de montage	3	
<b>12</b>	2	<b>432 1472-01</b>	Clamp	Bride de fixation	3	
<b>13</b>	1					Not used
<b>14</b>	1	<b>432 1455-01</b>	Washer	Rondelle	3	
<b>15</b>	1	<b>725 2538-51</b>	Screw	Vis	3	M12X35
<b>16</b>	1	<b>471 8502-10</b>	Washer	Rondelle	3	12x35
<b>17</b>	1	<b>471 7705-05</b>	Ribbed belt	Courroie poly V	1,2	
<b>18</b>	1	<b>432 2991-02</b>	Cable set	Jeu de câbles	3	
<b>19</b>	1	<b>438 9799-03</b>	Cover	Couvercle	3	
<b>20</b>	1	<b>472 9913-91</b>	Drip guard	Lèche-goutte	3	COMPL.
<b>21</b>	1	<b>432 2983-04</b>	Cable set	Jeu de câbles	3	
<b>22</b>	1	<b>413 3272-16</b>	Cable set	Jeu de câbles	3	
<b>23</b>	1	<b>438 9799-02</b>	Clamp	Attache	3	
<b>24</b>	3	<b>471 8342-13</b>	Screw	Vis	3	MRT-TT 4X10





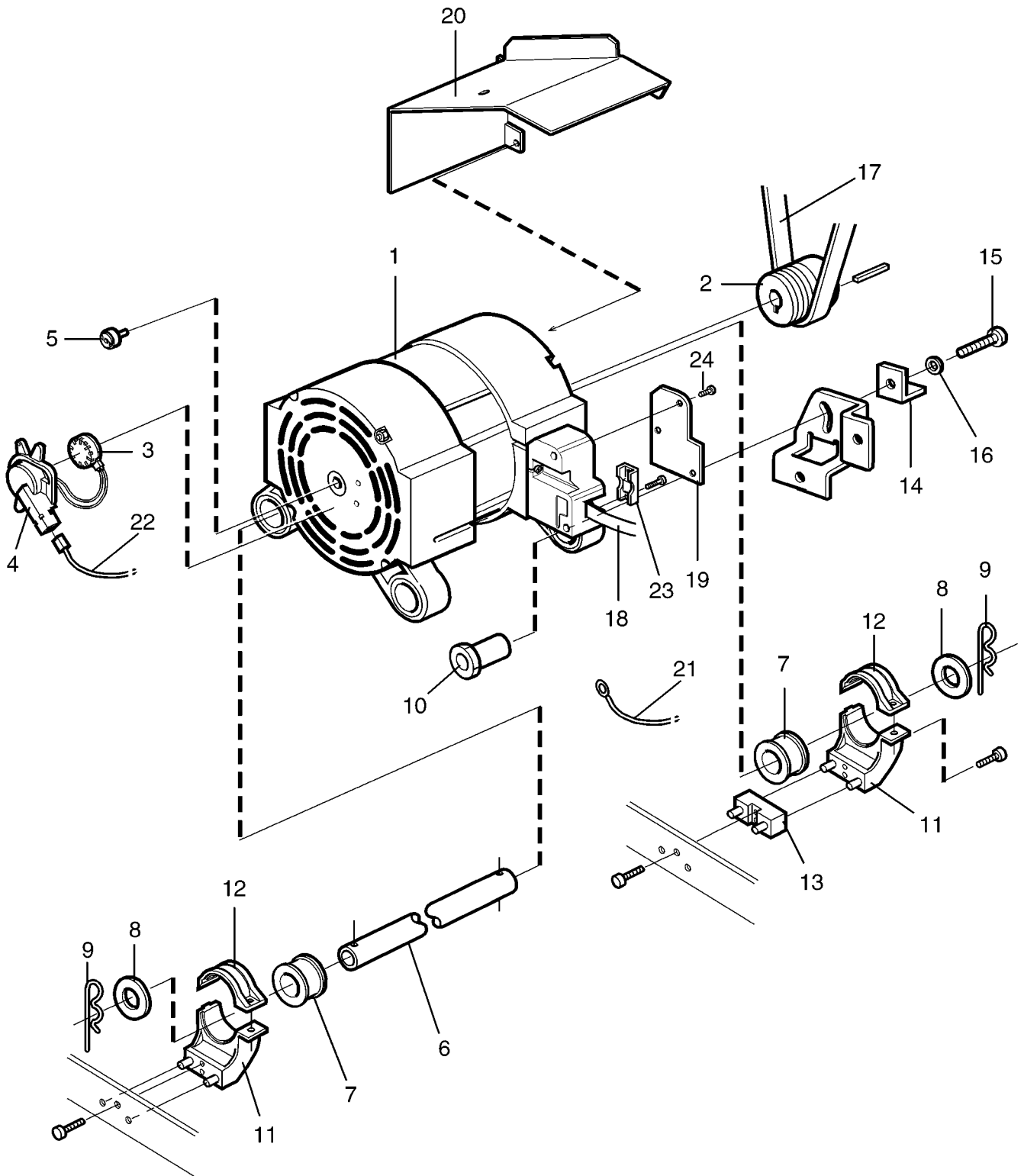
**W655cc 725/105471-999999, 651/400000-**

**Motor**

**Moteur**

Illustration Issue Month Year  
Schéma Issue Month Year  
**102665 3 10 2010**

Item Article	Qua. Qua.	Art.No Réf. article	Description	Description	Info Info	Notes Remarques
<b>1</b>	1	<b>438 9704-41</b>	Motor	Moteur	1	
<b>2</b>	1		•Pulley	•Poulie		
<b>3</b>	1	<b>471 8826-01</b>	•Tacho sensor	•Tacho sensor	1	
<b>4</b>	1	<b>432 1229-01</b>	•Cover	•Couvercle	3	
<b>5</b>	1	<b>471 8827-01</b>	•Magnet	•Aimant	3	
<b>6</b>	1		•Pipe	•Tube		
<b>7</b>	3	<b>438 8158-02</b>	•Rubber bushing	•Douille caoutchouc	3	
<b>8</b>	1	<b>432 1465-01</b>	•Flange bushing	•Douille à bride	3	
<b>9</b>	1	<b>471 8356-05</b>	Screw	Vis	3	M12x240
<b>10</b>	1	<b>732 2122-01</b>	Locking nut	Contre-écrou	3	M12
<b>11</b>	1	<b>471 8328-10</b>	Screw	Vis	3	M12X35
<b>12</b>	1	<b>432 1455-01</b>	Washer	Rondelle	3	
<b>13</b>	1	<b>438 9799-03</b>	Cover	Couvercle	3	
<b>14</b>	1	<b>413 1213-01</b>	Drip guard	Lèche-goutte	3	
<b>15</b>	1	<b>471 7705-05</b>	Ribbed belt	Courroie poly V	3	
<b>16</b>	1	<b>432 2991-02</b>	Cable set	Jeu de câbles	3	
<b>17</b>	1	<b>438 9799-02</b>	Clamp	Attache	3	
* <b>18</b>	1	<b>413 3272-26</b>	Cable set	Jeu de câbles	3	



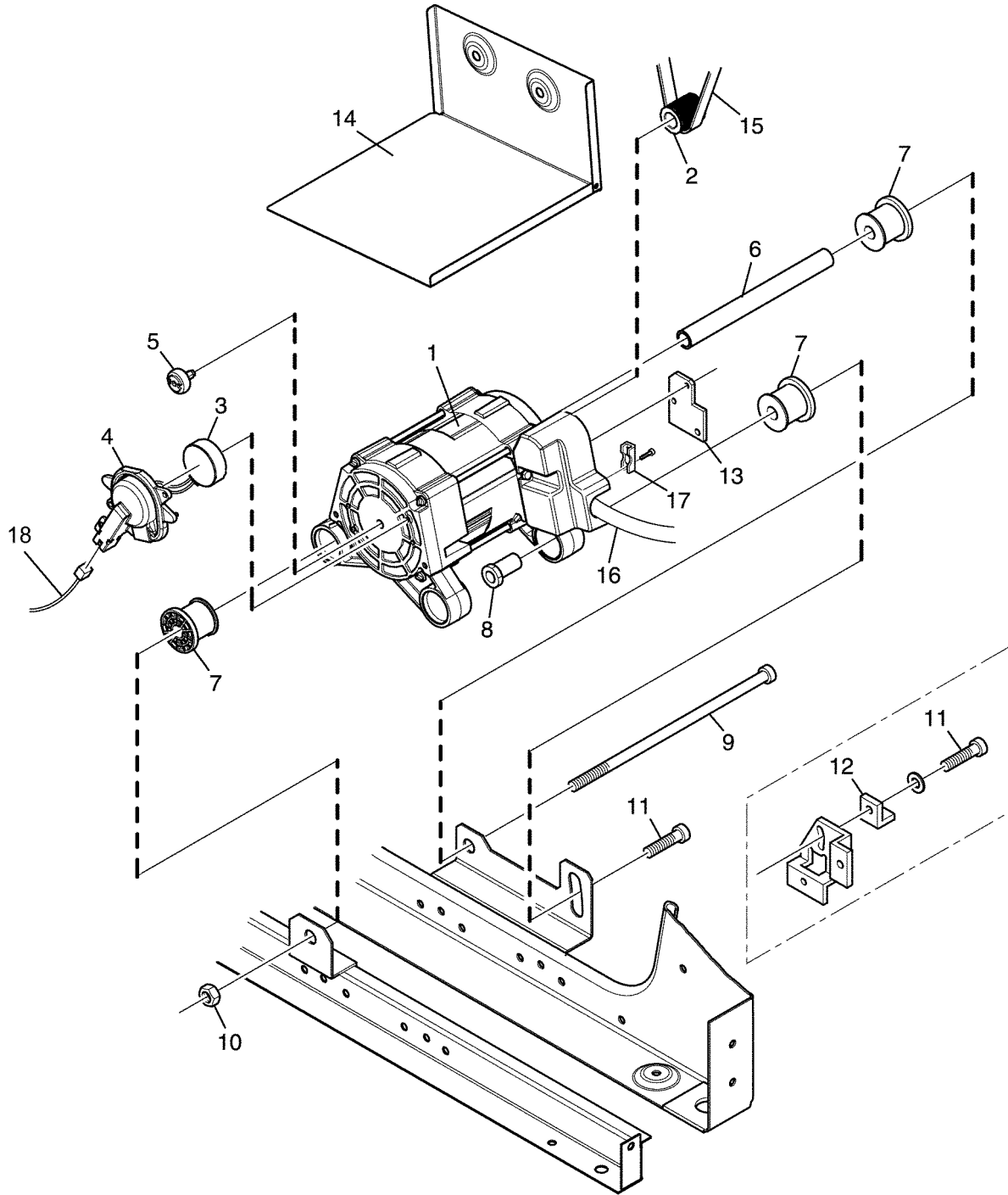
**W675cc -795/102509**

**Motor**

**Moteur**

Illustration Issue Month Year  
Schéma Issue Month Year  
**102504/1 4 5 2009**

Item Article	Qua. Qua.	Art.No Réf. article	Description	Description	Info Info	Notes Remarques
<b>1</b>	1	<b>438 9705-51</b>	Motor	Moteur	1,2	Complete Complete
<b>2</b>	1		•Pulley	•Poulie	3	
<b>3</b>	1	<b>471 8826-01</b>	•Tacho sensor	•Tacho sensor	3	
<b>4</b>	1	<b>432 1229-01</b>	•Cover	•Couvercle	1	
<b>5</b>	1	<b>471 8827-01</b>	•Magnet	•Aimant	3	
<b>6</b>	1	<b>438 0016-10</b>	•Pipe	•Tube	3	
<b>7</b>	2	<b>438 4049-01</b>	•Damper	•Amortisseur	3	
<b>8</b>	2	<b>471 8502-24</b>	•Washer	•Rondelle	3	12x35
<b>9</b>	2	<b>471 7867-01</b>	•Pin	•Goupille/broche	3	
<b>10</b>	1	<b>432 1465-01</b>	•Flange bushing	•Douille à bride	3	
<b>11</b>	2	<b>432 1463-01</b>	Bracket	Support de montage	3	
<b>12</b>	2	<b>432 1472-01</b>	Clamp	Bride de fixation	3	
<b>13</b>	1					Not used
<b>14</b>	1	<b>432 1455-01</b>	Washer	Rondelle	3	
<b>15</b>	1	<b>725 2538-51</b>	Screw	Vis	3	M12X35
<b>16</b>	1	<b>471 8502-10</b>	Washer	Rondelle	3	12x35
<b>17</b>	1	<b>471 7705-06</b>	Ribbed belt	Courroie poly V	1,2	
<b>18</b>	1	<b>432 2991-02</b>	Cable set	Jeu de câbles	3	
<b>19</b>	1	<b>438 9799-03</b>	Cover	Couvercle	3	
<b>20</b>	1	<b>472 9913-91</b>	Drip guard	Lèche-goutte	3	COMPL.
<b>21</b>	1	<b>432 2983-04</b>	Cable set	Jeu de câbles	3	
<b>22</b>	1	<b>413 3272-26</b>	Cable set	Jeu de câbles	3	
<b>23</b>	1	<b>438 9799-02</b>	Clamp	Attache	3	
<b>24</b>	3	<b>471 8342-13</b>	Screw	Vis	3	MRT-TT 4X10



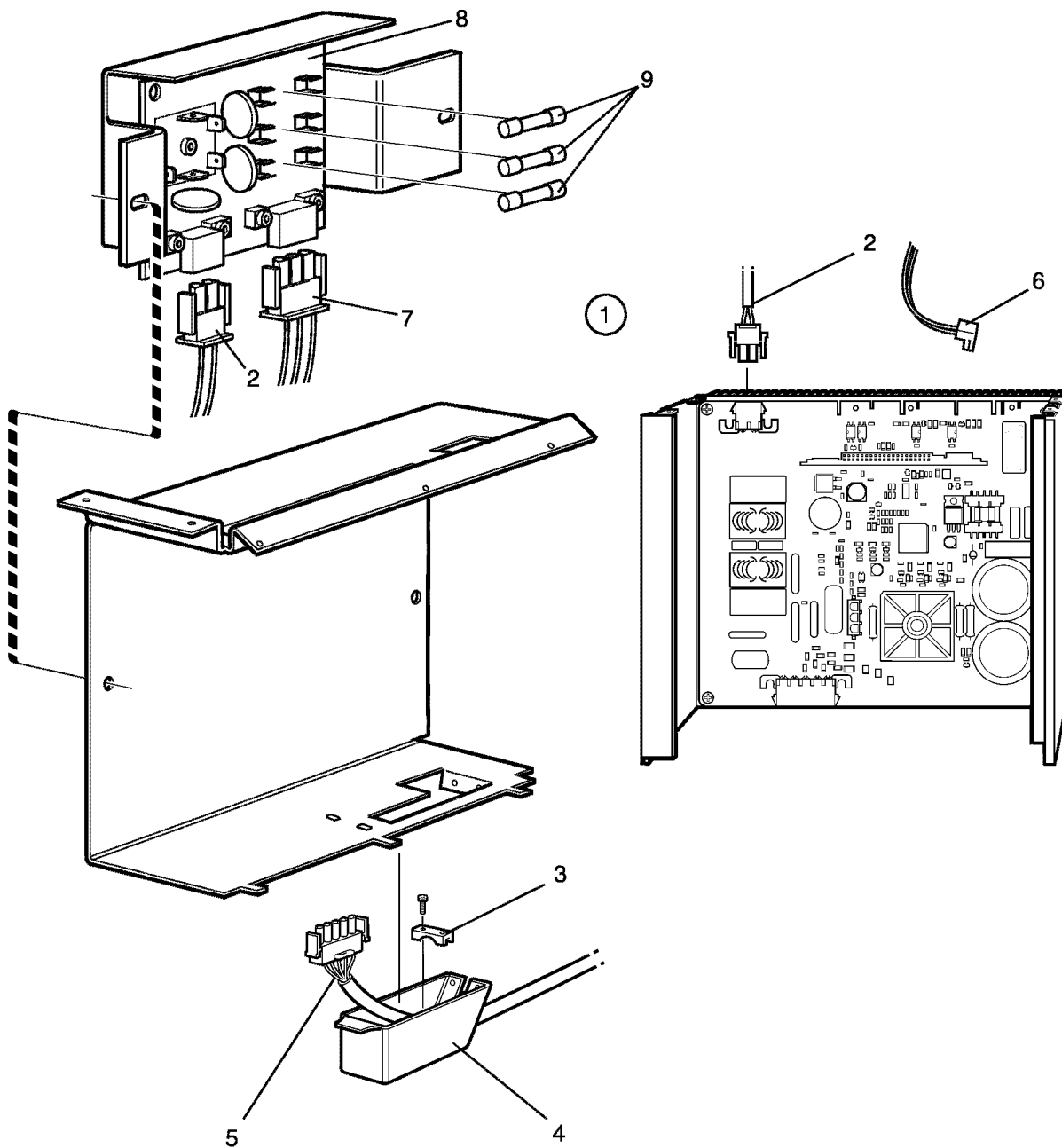
**W675cc 795/102510-**

**Motor**

**Moteur**

Illustration Issue Month Year  
Schéma Issue Month Year  
**102665 3 10 2010**

Item Article	Qua. Qua.	Art.No Réf. article	Description	Description	Info Info	Notes Remarques
<b>1</b>	1	<b>438 9705-02</b>	Motor	Moteur	1	
<b>2</b>	1		•Pulley	•Poulie		
<b>3</b>	1	<b>471 8826-01</b>	•Tacho sensor	•Tacho sensor	1	
<b>4</b>	1	<b>432 1229-01</b>	•Cover	•Couvercle	3	
<b>5</b>	1	<b>471 8827-01</b>	•Magnet	•Aimant	3	
<b>6</b>	1		•Pipe	•Tube		
<b>7</b>	3	<b>438 8158-02</b>	•Rubber bushing	•Douille caoutchouc	3	
<b>8</b>	1	<b>432 1465-01</b>	•Flange bushing	•Douille à bride	3	
<b>9</b>	1	<b>471 8356-08</b>	Screw	Vis	3	M12X300
<b>10</b>	1	<b>732 2122-01</b>	Locking nut	Contre-écrou	3	M12
<b>11</b>	1	<b>471 8328-10</b>	Screw	Vis	3	M12X35
<b>12</b>	1	<b>432 1455-01</b>	Washer	Rondelle	3	
<b>13</b>	1	<b>438 9799-03</b>	Cover	Couvercle	3	
<b>14</b>	1	<b>413 1214-01</b>	Drip guard	Lèche-goutte	3	
<b>15</b>	1	<b>471 7705-06</b>	Ribbed belt	Courroie poly V	3	
<b>16</b>	1	<b>432 2991-02</b>	Cable set	Jeu de câbles	3	
<b>17</b>	1	<b>438 9799-02</b>	Clamp	Attache	3	
* <b>18</b>	1	<b>413 3272-26</b>	Cable set	Jeu de câbles	3	



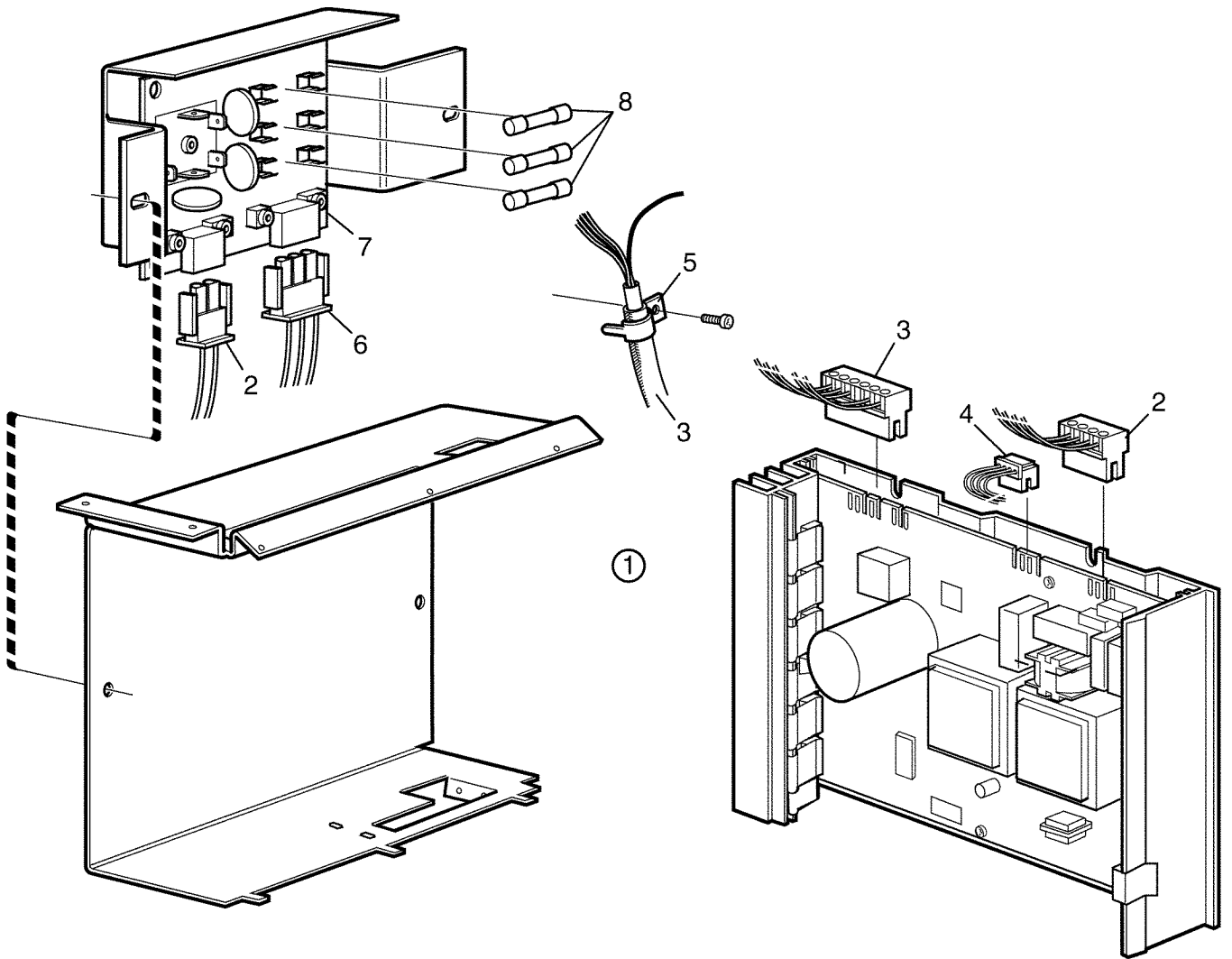
**W620cc -520/121663, -521/402182**

**Motor control**

**Contrôle du moteur**

Illustration	Issue	Month	Year
Schéma	Issue	Month	Year
<b>102491/1</b>	<b>3</b>	<b>8</b>	<b>2009</b>

Item Article	Qua. Qua.	Art.No Réf. article	Description	Description	Info Info	Notes Remarques
<b>1</b>	1	<b>472 9929-05</b>	Motor control	Contrôle du moteur	1	Complete
	1	<b>472 9929-06</b>	Motor control	Contrôle du moteur	1	Japan Complete
<b>2</b>	1	<b>413 2918-01</b>	•Cable set	•Jeu de câbles	1,2	2-pole
	1	<b>413 2918-02</b>	•Cable set	•Jeu de câbles	1,2	2-pole Trafo
	1	<b>413 2918-09</b>	•Cable set	•Jeu de câbles	1,2	2-pole Japan
<b>3</b>	1	<b>438 9799-12</b>	Clamp	Attache	3	
<b>4</b>	1	<b>438 9799-01</b>	Cover	Couvercle	3	
<b>5</b>	1		Cable set	Jeu de câbles	3	See motor
<b>6</b>	1	<b>413 3084-26</b>	Cable set	Jeu de câbles	3	
<b>7</b>	1	<b>432 2961-01</b>	Cable set	Jeu de câbles	3	3AC
<b>8</b>	1	<b>438 8774-02</b>	Printed circuit board	Carte circuit	3	
<b>9</b>	3	<b>471 8768-02</b>	Fuse	Porte-fusible	1,2	15A





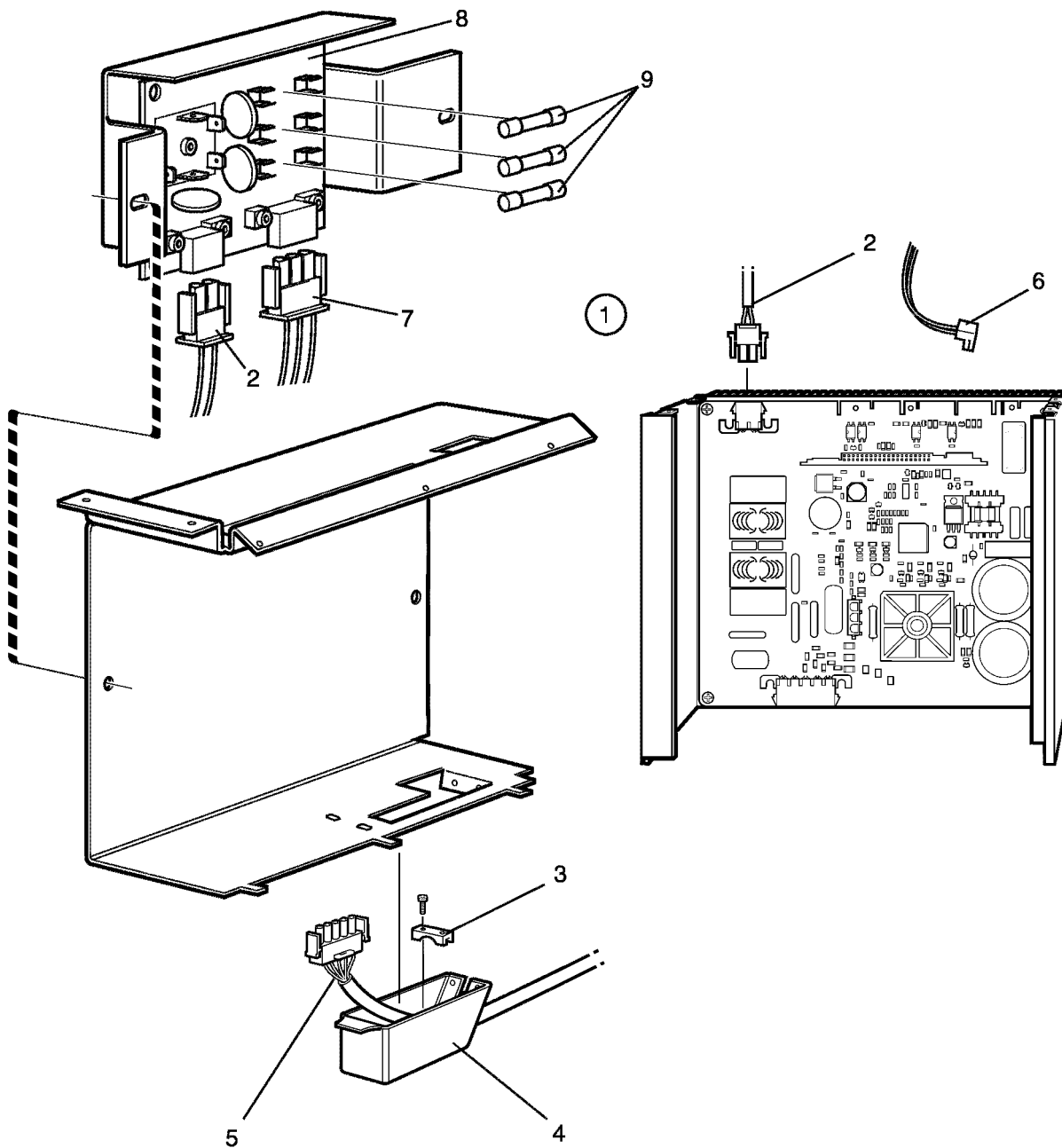
**W620cc 521/402183-**

**Motor control**

**Contrôle du moteur**

Illustration	Issue	Month	Year
Schéma	Issue	Month	Year
<b>102670</b>	<b>1</b>	<b>8</b>	<b>2009</b>

Item Article	Qua. Qua.	Art.No Réf. article	Description	Description	Info Info	Notes Remarques
<b>1</b>	1	<b>472 9929-07</b>	Motor control	Contrôle du moteur	1	Complete
<b>2</b>	1	<b>413 2919-01</b>	•Cable set	•Jeu de câbles	1,2	
	1	<b>413 2919-03</b>	•Cable set	•Jeu de câbles	1,2	Japan
<b>3</b>	1		Cable set	Jeu de câbles	3	See motor
<b>4</b>	1	<b>413 3274-24</b>	Cable set	Jeu de câbles	1,2	M-COM
<b>5</b>	1	<b>438 5233-01</b>	Clamp	Bride de fixation	3	
<b>6</b>	1	<b>432 2961-01</b>	Cable set	Jeu de câbles	3	3AC
<b>7</b>	1	<b>438 8774-02</b>	Printed circuit board	Carte circuit	3	
<b>8</b>	3	<b>471 8768-02</b>	Fuse	Porte-fusible	1,2	15A



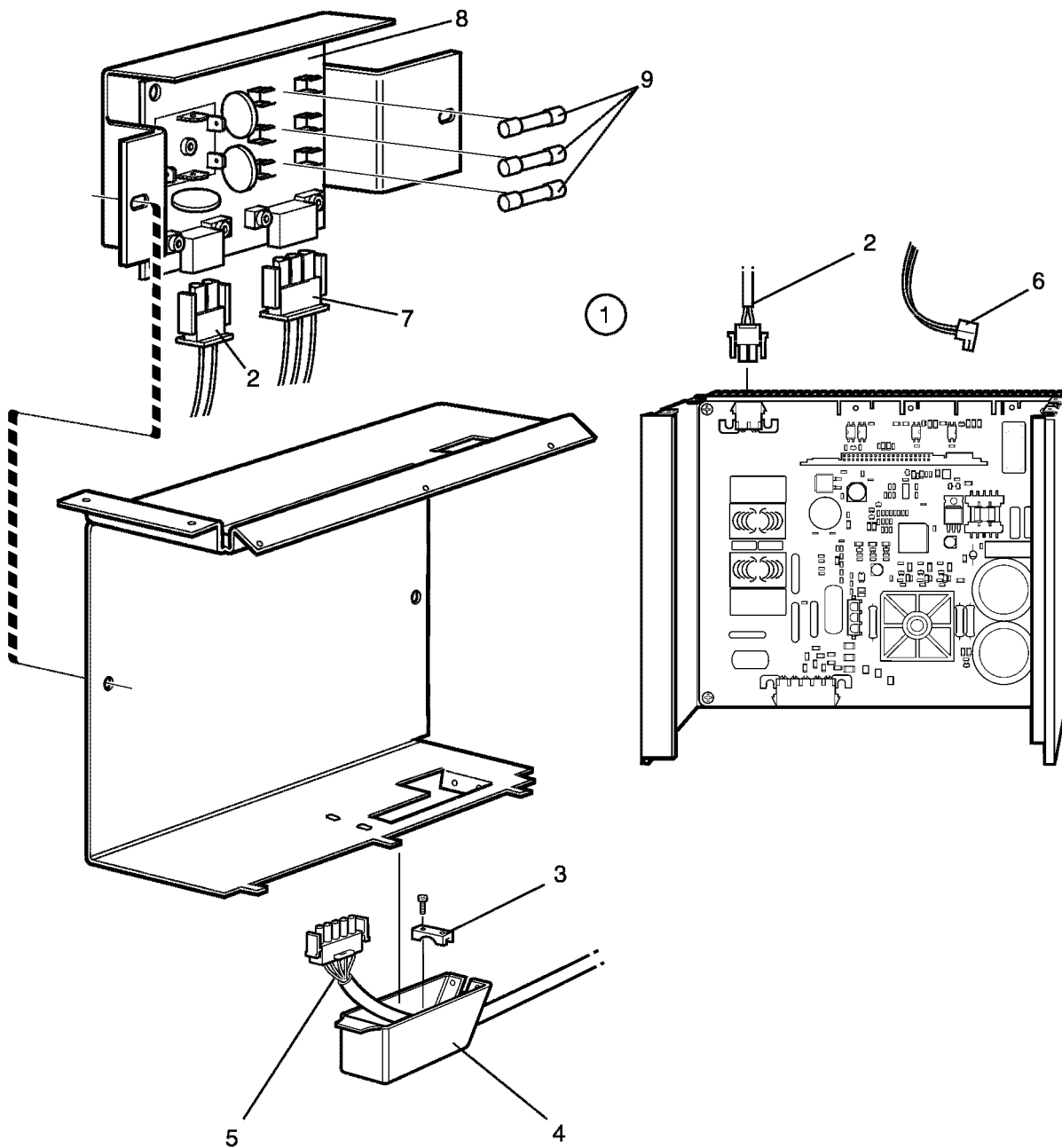
**W625cc,W630cc**

**Motor control**

**Contrôle du moteur**

Illustration Issue Month Year  
Schéma Issue Month Year  
**102491/1 3 11 2010**

Item Article	Quantity Quantité	Art.No Réf. article	Description	Description	Info Info	Notes Remarques
W625cc						
W630cc						
<b>1</b>	1	<b>472 9929-05</b>	Motor control	Contrôle du moteur	1	Complete -595/106656, 521/400164-402182
*	1	<b>472 9929-10</b>	Motor control	Contrôle du moteur	1	Complete 521/402183-410565
*	1	<b>472 9929-31</b>	Motor control	Contrôle du moteur	1	200-240V 521/410566-
*	1	<b>472 9929-06</b>	Motor control	Contrôle du moteur	1	Japan Complete - 595/106656, 521/400164-402182
*	1	<b>472 9929-11</b>	Motor control	Contrôle du moteur	1	Japan Complete 521/402183-410565
*	1	<b>472 9929-32</b>	Motor control	Contrôle du moteur	1	200-240V Japan 521/410566-
*	1	<b>472 9929-05</b>	Motor control	Contrôle du moteur	1	Complete -595/999999, -521/410565
*	1	<b>472 9929-31</b>	Motor control	Contrôle du moteur	1	200-240V 521/410566-
*	1	<b>472 9929-06</b>	Motor control	Contrôle du moteur	1	Japan Complete - 595/106657, 521/400104-402182
*	1	<b>472 9929-12</b>	Motor control	Contrôle du moteur	1	Japan Complete 521/402183-410565
*	1	<b>472 9929-32</b>	Motor control	Contrôle du moteur	1	200-240V Japan 521/410566-
<b>2</b>	1	<b>413 2918-01</b>	•Cable set	•Jeu de câbles	1,2	2-pole
	1	<b>413 2918-02</b>	•Cable set	•Jeu de câbles	1,2	2-pole Trafo
	1	<b>413 2918-09</b>	•Cable set	•Jeu de câbles	1,2	2-pole Japan
	1	<b>413 2918-01</b>	•Cable set	•Jeu de câbles	1,2	2-pole
	1	<b>413 2918-02</b>	•Cable set	•Jeu de câbles	1,2	2-pole Trafo
	1	<b>413 2918-09</b>	•Cable set	•Jeu de câbles	1,2	2-pole Japan
<b>3</b>	1	<b>438 9799-12</b>	Clamp	Attache	3	
<b>4</b>	1	<b>438 9799-01</b>	Cover	Couvercle	3	
<b>5</b>	1		Cable set	Jeu de câbles	3	See motor
<b>6</b>	1	<b>413 3084-10</b>	Cable set	Jeu de câbles	3	P-bus - X302
<b>7</b>	1	<b>432 2961-01</b>	Cable set	Jeu de câbles	1,2	3AC Japan
<b>8</b>	1	<b>438 8774-02</b>	Printed circuit board	Carte circuit	3	
<b>9</b>	3	<b>471 8768-02</b>	Fuse	Porte-fusible	1,2	15A



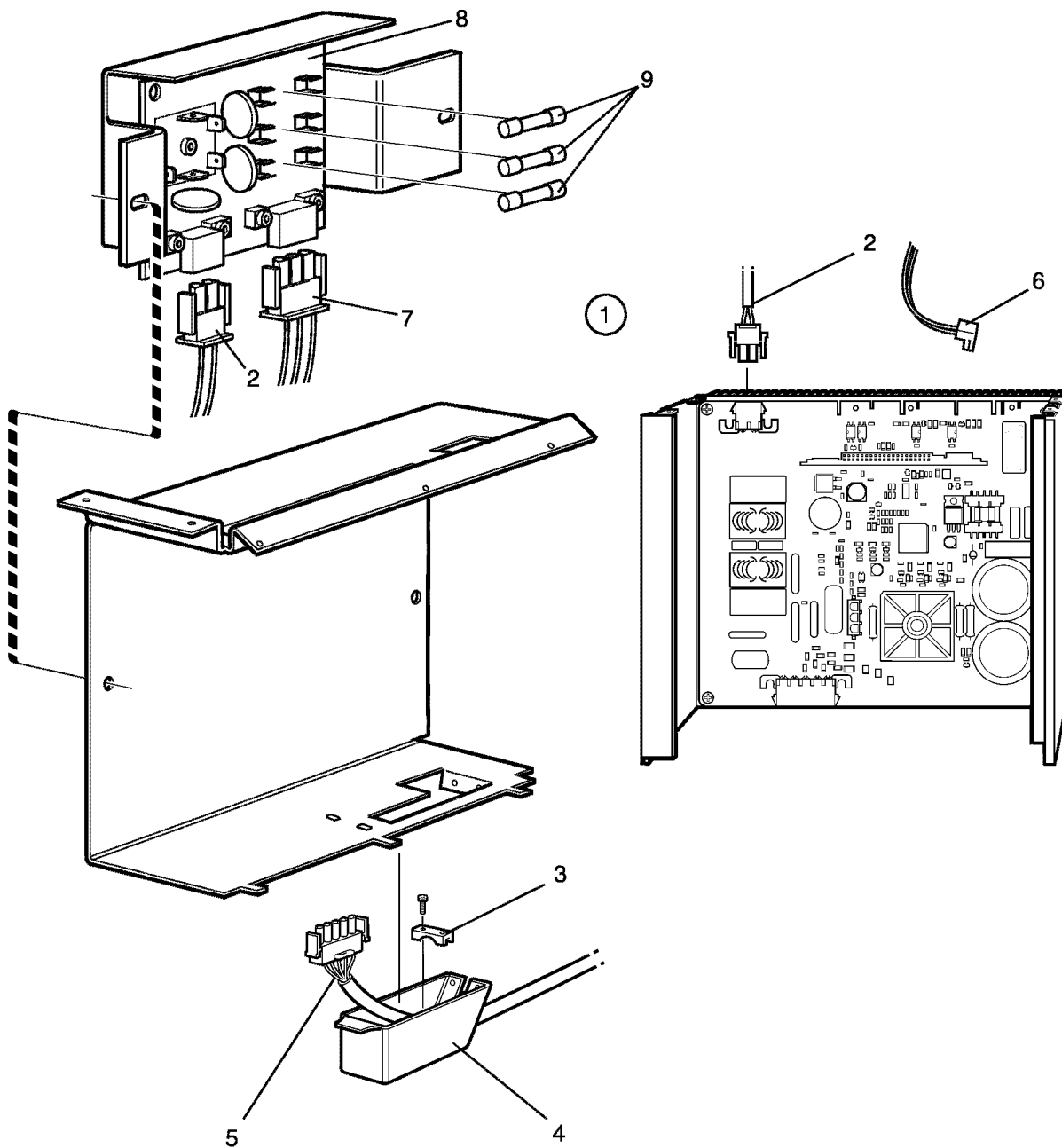
**W640cc**

**Motor control**

**Contrôle du moteur**

Illustration Issue Month Year  
Schéma Issue Month Year  
**102491/1 2 10 2010**

Item Article	Qua. Qua.	Art.No Réf. article	Description	Description	Info Info	Notes Remarques
<b>1</b>	1	<b>472 9929-17</b>	Motor control	Contrôle du moteur	1	Complete -650/107383
*	1	<b>472 9929-18</b>	Motor control	Contrôle du moteur	1	Complete 650/107384-999999, 651/400000-
<b>2</b>	1	<b>413 2918-03</b>	•Cable set	•Jeu de câbles	1,2	2-pole
	1	<b>413 2918-04</b>	•Cable set	•Jeu de câbles	1,2	2-pole Trafo
	1	<b>413 2918-07</b>	•Cable set	•Jeu de câbles	1,2	2-pole Japan
<b>3</b>	1	<b>438 9799-12</b>	Clamp	Attache	3	
<b>4</b>	1	<b>438 9799-01</b>	Cover	Couvercle	3	
<b>5</b>	1		Cable set	Jeu de câbles	3	See motor
<b>6</b>	1	<b>413 3084-27</b>	Cable set	Jeu de câbles	3	P-bus - X302
<b>7</b>	1	<b>432 2961-01</b>	Cable set	Jeu de câbles	1,2	3AC HIGH/LOW,JAPAN
<b>8</b>	1	<b>438 8774-02</b>	Printed circuit board	Carte circuit	3	
<b>9</b>	3	<b>471 8768-02</b>	Fuse	Porte-fusible	1,2	15A



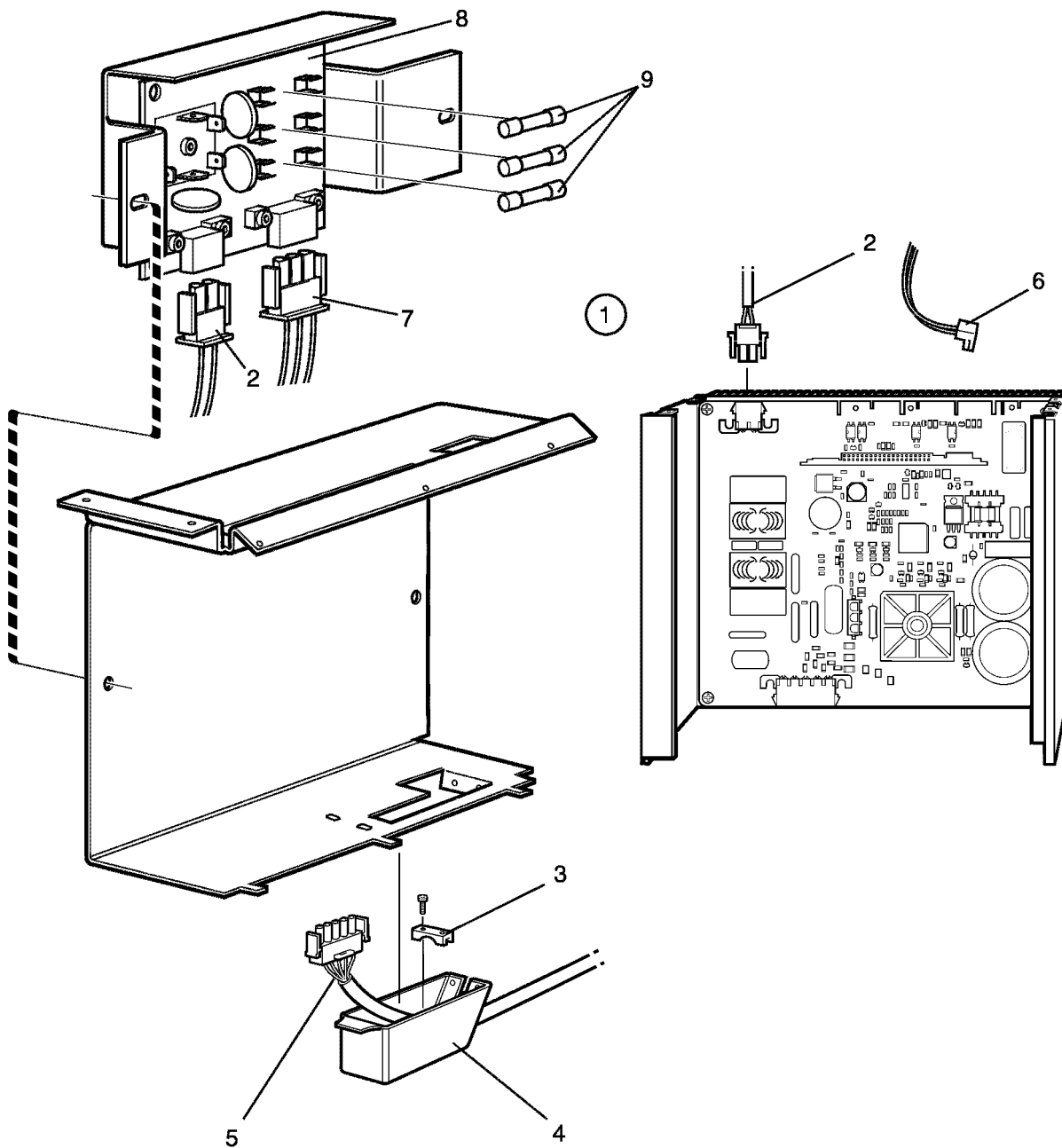
**W655cc**

**Motor control**

**Contrôle du moteur**

Illustration Issue Month Year  
Schéma Issue Month Year  
**102491/1 2 10 2010**

Item Article	Qua. Qua.	Art.No Réf. article	Description	Description	Info Info	Notes Remarques
<b>1</b>	1	<b>472 9929-16</b>	Motor control	Contrôle du moteur	1	Complete -725/105470
*	1	<b>472 9929-21</b>	Motor control	Contrôle du moteur	1	Complete 725/105471-999999, 651/400000-
<b>2</b>	1	<b>413 2918-05</b>	•Cable set	•Jeu de câbles	1,2	4-pole
	1	<b>413 2918-06</b>	•Cable set	•Jeu de câbles	1,2	4-pole Trafo
	1	<b>413 2918-08</b>	•Cable set	•Jeu de câbles	1,2	4-pole Japan
<b>3</b>	1	<b>438 9799-12</b>	Clamp	Attache	3	
<b>4</b>	1	<b>438 9799-01</b>	Cover	Couvercle	3	
<b>5</b>	1		Cable set	Jeu de câbles	3	See motor
<b>6</b>	1	<b>413 3084-21</b>	Cable set	Jeu de câbles	3	P-bus - X302
<b>7</b>	1	<b>432 2925-01</b>	Cable set	Jeu de câbles	3	
<b>8</b>	1	<b>438 8774-02</b>	Printed circuit board	Carte circuit	3	
<b>9</b>	3	<b>471 8768-02</b>	Fuse	Porte-fusible	1,2	15A





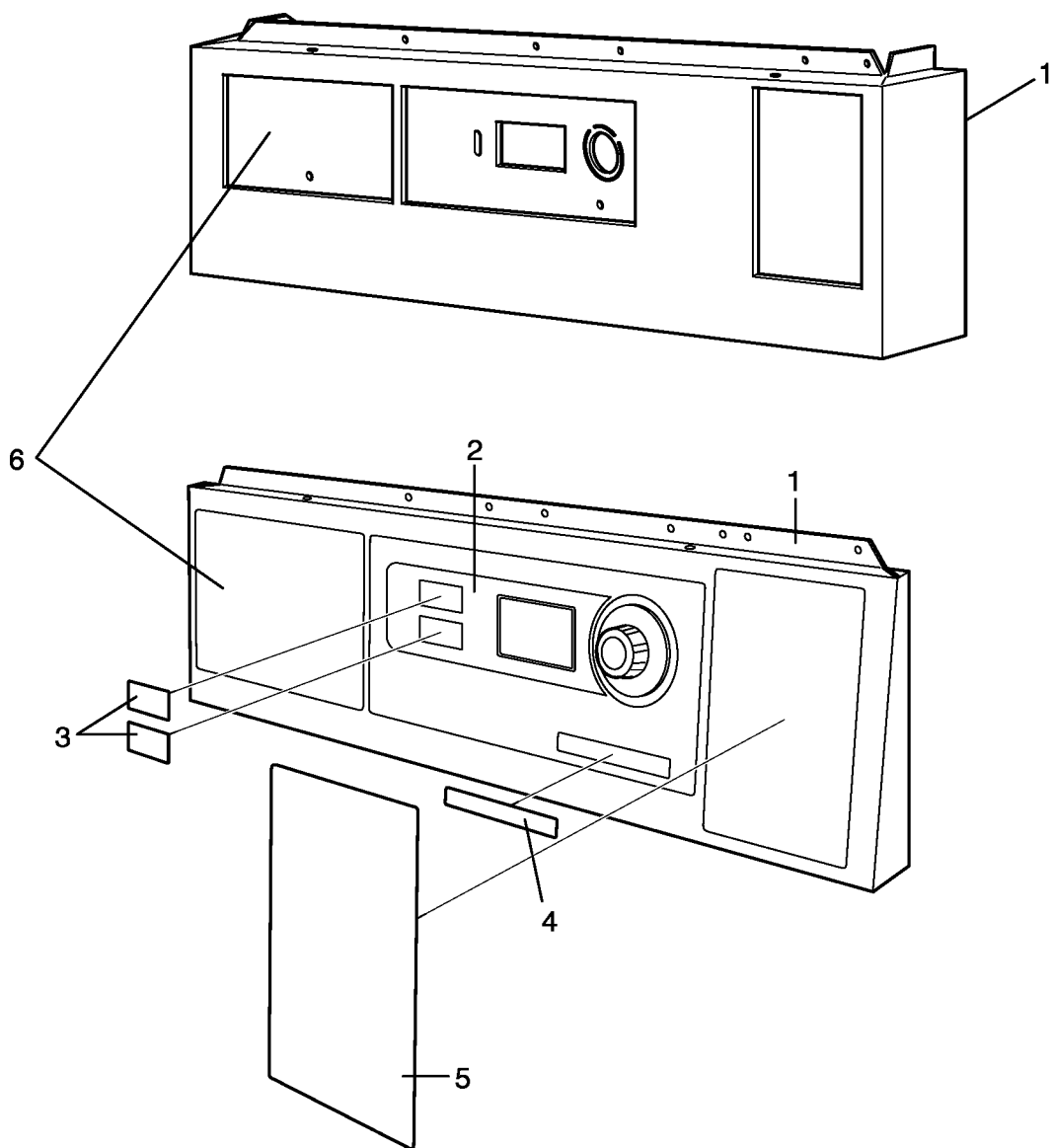
**W675cc**

**Motor control**

**Contrôle du moteur**

Illustration Issue Month Year  
Schéma Issue Month Year  
**102491/1 1 5 2009**

Item Article	Qua. Qua.	Art.No Réf. article	Description	Description	Info Info	Notes Remarques
<b>1</b>	1	<b>472 9929-23</b>	Motor control	Contrôle du moteur	1	Complete
<b>2</b>	1	<b>413 2918-05</b>	•Cable set	•Jeu de câbles	1,2	4-pole
	1	<b>413 2918-06</b>	•Cable set	•Jeu de câbles	1,2	4-pole Trafo
	1	<b>413 2918-08</b>	•Cable set	•Jeu de câbles	1,2	4-pole Japan
<b>3</b>	1	<b>438 9799-12</b>	Clamp	Attache	3	
<b>4</b>	1	<b>438 9799-01</b>	Cover	Couvercle	3	
<b>5</b>	1		Cable set	Jeu de câbles	3	See motor
<b>6</b>	1	<b>413 3084-23</b>	Cable set	Jeu de câbles	3	P-bus - X302
<b>7</b>	1	<b>432 2925-01</b>	Cable set	Jeu de câbles	3	
<b>8</b>	1	<b>438 8774-02</b>	Printed circuit board	Carte circuit	3	
<b>9</b>	3	<b>471 8768-02</b>	Fuse	Porte-fusible	1,2	15A



**W620cc,W625cc,W630cc,W640cc,W655cc,W675cc**

**Control panel**

**Pupitre de commande**

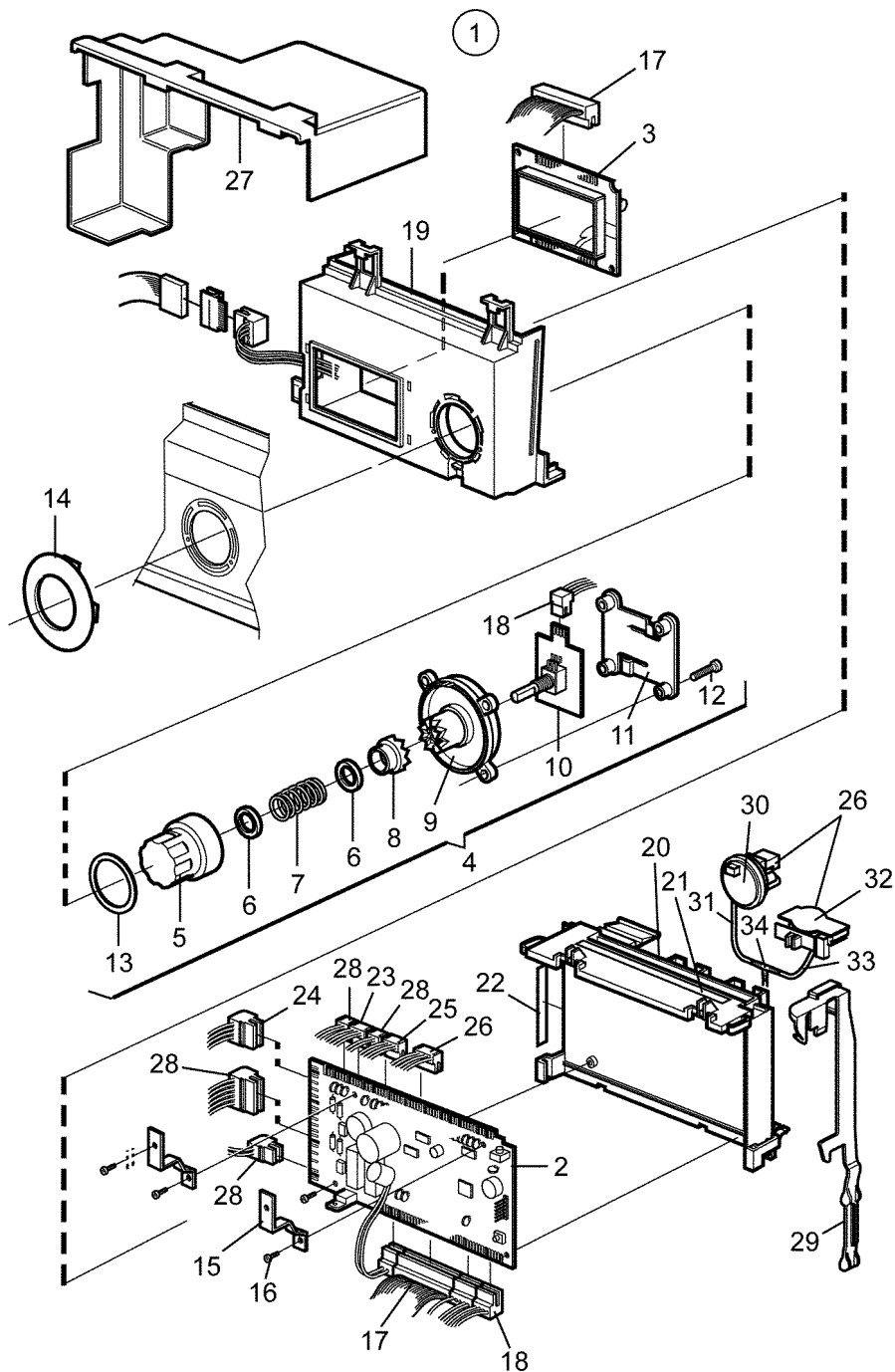
Illustration Issue Month Year  
Schéma Issue Month Year  
**102378/1 8 3 2010**

Item Article	Quantity Quantité	Art.No Réf. article	Description	Description	Info Info	Notes Remarques
	W620cc					
	W625cc					
	W630cc					
	W640cc					
	W655cc					
	W675cc					
1	1	432 2260-01	Front panel	Panneau avant	3	
	1	432 2261-02	Front panel	Panneau avant	3	
	1	432 2261-01	Front panel	Panneau avant	3	
	1	432 2262-01	Front panel	Panneau avant	3	
	1	432 2263-01	Front panel	Panneau avant	3	
	1	432 2264-01	Front panel	Panneau avant	3	
2	1	472 5792-02	Panel sign	Voyant du tableau	1	40°, 60°
	1	472 5792-01	Panel sign	Voyant du tableau	1	1&2
	1	472 5792-10	Panel sign	Voyant du tableau	1	1&2 USA
	1	472 5793-01	Panel sign	Voyant du tableau	1	NEUTRAL
3	1	471 7788-10	Sign	Échelle	3	
4	1	413 2602-20	Type plate	Numéro série plaque	3	W485N
	1	413 2611-02	Type plate	Numéro série plaque	3	W620cc
	1	413 2611-45	Type plate	Numéro série plaque	3	W620co
	1	413 2603-20	Type plate	Numéro série plaque	3	W4105N
	1	413 2611-29	Type plate	Numéro série plaque	3	W625co
	1	413 2604-20	Type plate	Numéro série plaque	3	W4130N
	1	413 2611-11	Type plate	Numéro série plaque	3	W630cc
	1	413 2611-46	Type plate	Numéro série plaque	3	W630co
	1	413 2605-20	Type plate	Numéro série plaque	3	W4180N
	1	413 2611-21	Type plate	Numéro série plaque	3	W640cc
	1	413 2611-47	Type plate	Numéro série plaque	3	W640co
	1	413 2611-56	Type plate	Numéro série plaque	3	W645cc
	1	413 2611-57	Type plate	Numéro série plaque	3	W645co
	1	413 2606-20	Type plate	Numéro série plaque	3	W4250N
	1	413 2611-31	Type plate	Numéro série plaque	3	W655cc
	1	413 2611-48	Type plate	Numéro série plaque	3	W655co
	1	413 2611-64	Type plate	Numéro série plaque	3	W662cc
	1	413 2611-65	Type plate	Numéro série plaque	3	W662co
	1	413 2609-20	Type plate	Numéro série plaque	3	W4330N
	1	413 2611-41	Type plate	Numéro série plaque	3	W675cc
	1	413 2611-49	Type plate	Numéro série plaque	3	W675co
	1	413 2611-72	Type plate	Numéro série plaque	3	W677cc
	1	413 2611-73	Type plate	Numéro série plaque	3	W677co
5	1	432 2150-11	Cover plate	Plaque recouvrement	3	
6	1	432 2648-11	Instruction plate	Plaque instruction utilisation	3	40°, 60°
	1	432 2648-12	Instruction plate	Plaque instruction utilisation	3	1, 2
	1	432 2648-13	Instruction plate	Plaque instruction utilisation	3	NEUTRAL
	1	432 2648-20	Instruction plate	Plaque instruction utilisation	3	English
	1	432 2648-21	Instruction plate	Plaque instruction utilisation	3	Swedish
	1	432 2648-22	Instruction plate	Plaque instruction utilisation	3	USA English/Spanish COIN
	1	432 2648-13	Instruction plate	Plaque instruction utilisation	3	USA, OPL



W465H  
 Product no.: 9867610073  
 Serial no.: 00520 / 0126722  
 PC: 0327064 13 9909 Writing oleg: 43232004409  
 Program: **418XXXXXX** 3403  
 ELECTROLUX LAUNDRY SYSTEMS SWEDEN AB

Program: **418XXXXXX**  
 W3 W055116



Issue	Month	Year
01	02	10

**W620cc,W625cc,W630cc,W640cc,W655cc,W675cc**

**Programmer**

Illustration Issue Month Year  
Schéma Issue Month Year  
**102679 1 2 2010**

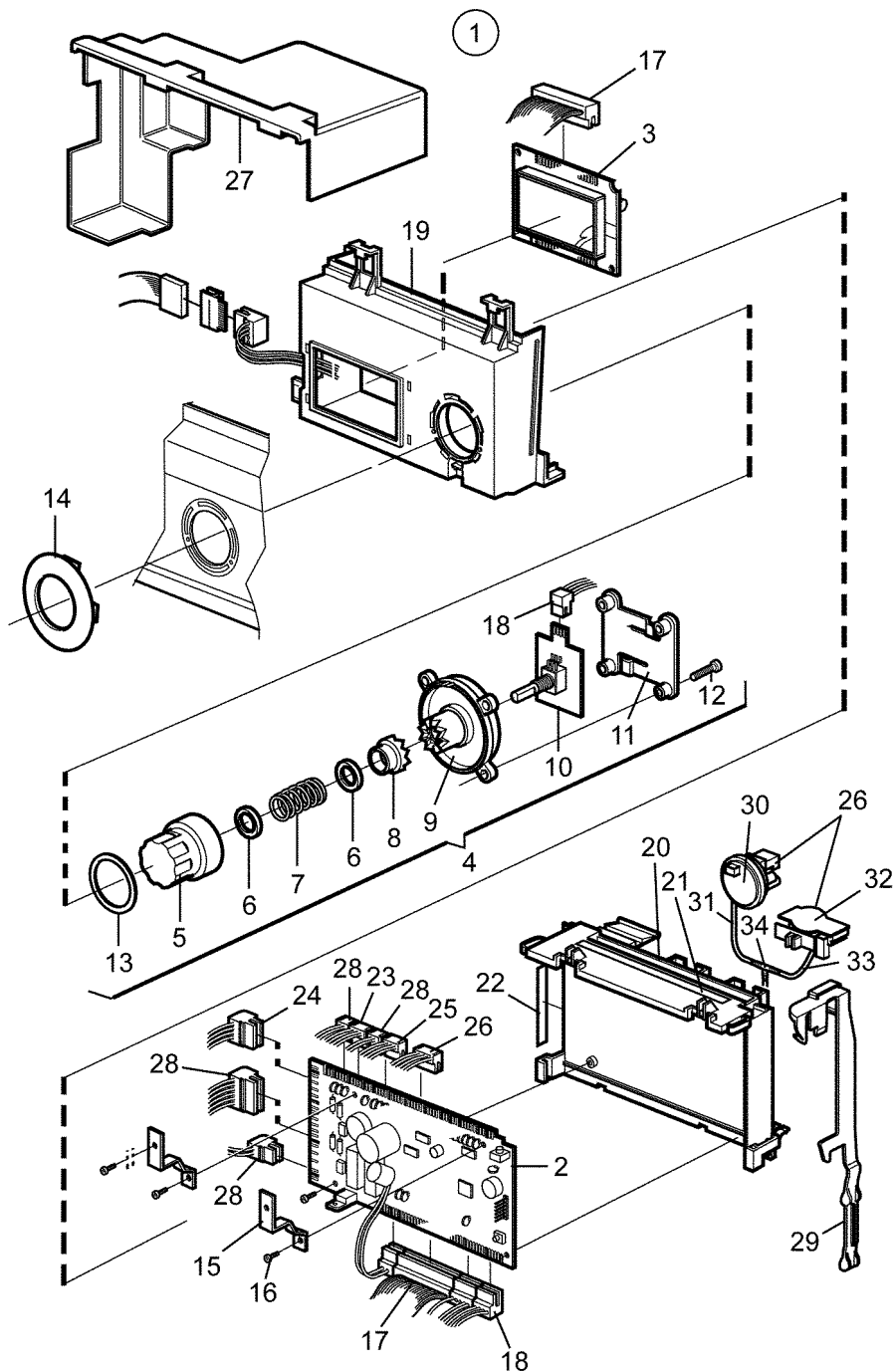
**Minuterie**

Item Article	Quantity Quantité							Art.No Réf. article	Description	Description	Info Info	Notes Remarques
	W620cc											
	W625cc											
	W630cc											
	W640cc											
	W655cc											
	W675cc											
1	1	1	1	1	1	1	1	432 6902-04	Programmer	Minuterie	1,2	Without software. Software available on website CPU
2	1	1	1	1	1	1	1		•Printed circuit board	•Carte circuit		
3	1	1	1	1	1	1	1	432 8702-03	•Display	•Affichage	1,2	
4	1	1	1	1	1	1	1		•Program selector	•Commutateur rotatif	1,2	
5	1	1	1	1	1	1	1		••Knob	••Bouton de porte		
6	2	2	2	2	2	2	2		••Rubber cushion	••Coussinet de caoutchouc		
7	1	1	1	1	1	1	1		••Spring	••Ressort		
8	1	1	1	1	1	1	1		••Sleeve	••Manchon		
9	1	1	1	1	1	1	1		••Cover	••Couvercle		
10	1	1	1	1	1	1	1	438 9659-01	••Program selector	••Commutateur rotatif	1,2	
11	1	1	1	1	1	1	1		••Spring	••Ressort		
12	4	4	4	4	4	4	4	471 8346-09	••Screw	••Vis	3	T40x30
13	1	1	1	1	1	1	1		••Ring	••Anneau		
14	1	1	1	1	1	1	1	432 6344-02	•Cover	•Couvercle	3	
15	2	2	2	2	2	2	2	432 6327-01	•Bracket	•Pièce de retenue	3	
16	2	2	2	2	2	2	2	471 8346-02	•Screw	•Vis	3	
17	1	1	1	1	1	1	1	413 3280-01	•Cable set	•Jeu de câbles	3	20-pole
18	1	1	1	1	1	1	1	413 3274-20	•Cable set	•Jeu de câbles	3	4-pole
19	1	1	1	1	1	1	1	432 6325-01	•Cover	•Couvercle	3	Front
20	1	1	1	1	1	1	1	432 6324-01	•Cover	•Couvercle	3	Rear
21	1	1	1	1	1	1	1	471 4673-95	•Sign	•Échelle	3	
22	1	1	1	1	1	1	1	471 4673-97	Sign	Échelle	3	
23	1							413 3274-17	Cable set	Jeu de câbles	3	D-bus
		1						413 3274-08	Cable set	Jeu de câbles	3	D-bus
			1					413 3274-18	Cable set	Jeu de câbles	3	D-bus
				1				413 3274-05	Cable set	Jeu de câbles	3	D-bus
					1			413 3274-06	Cable set	Jeu de câbles	3	D-bus
						1		413 3274-07	Cable set	Jeu de câbles	3	D-bus
24	1							413 3084-09	Cable set	Jeu de câbles	3	P-bus
		1						413 3084-17	Cable set	Jeu de câbles	3	P-bus
			1					413 3084-18	Cable set	Jeu de câbles	3	P-bus
				1				413 3084-16	Cable set	Jeu de câbles	3	P-bus
					1			413 3084-18	Cable set	Jeu de câbles	3	P-bus
						1		413 3084-19	Cable set	Jeu de câbles	3	P-bus
25	1	1						413 3274-11	Cable set	Jeu de câbles	3	M-COM
			1					413 3274-21	Cable set	Jeu de câbles	3	M-COM
				1				413 3274-12	Cable set	Jeu de câbles	3	M-COM
					1			413 3274-22	Cable set	Jeu de câbles	3	M-COM
						1		413 3274-15	Cable set	Jeu de câbles	3	M-COM
26	1	1	1	1	1	1	1	413 3275-02	Cable set	Jeu de câbles	3	Level control
27	1	1	1	1	1	1	1	432 6326-01	Cover	Couvercle	3	
28	1							432 2905-01	Cable set	Jeu de câbles	3	
		1	1					432 2905-08	Cable set	Jeu de câbles	3	Door/Temp. /Tacho.
				1				432 2905-10	Cable set	Jeu de câbles	3	Door/Temp. /Tacho.
					1			432 2905-12	Cable set	Jeu de câbles	3	Door/Temp. /Tacho.



W465H  
 Product no.: 9867610073  
 Serial no.: 00520 / 0126722  
 PC: 0327064 13 9909 Writing olog: 43232004409  
 Program: **418XXXXXX** 3403  
 ELECTROLUX LAUNDRY SYSTEMS SWEDEN AB

Program: **418XXXXXX**  
 W3 W055116



Issue	Month	Year
01	02	10

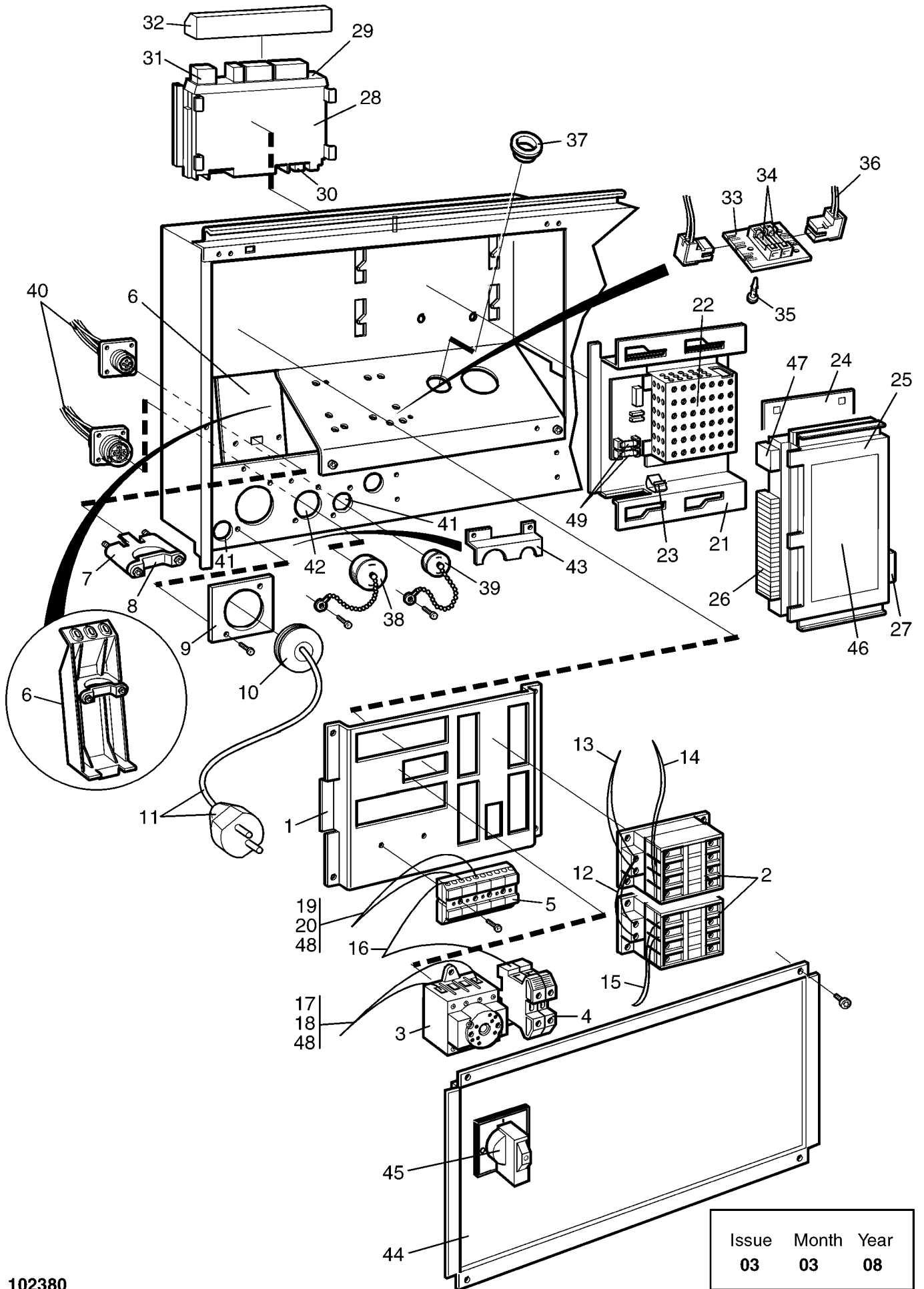
**W620cc,W625cc,W630cc,W640cc,W655cc,W675cc**

**Programmer**

Illustration Issue Month Year  
Schéma Issue Month Year  
**102679 1 2 2010**

**Minuterie**

Item Article	Quantity Quantité							Art.No Réf. article	Description	Description	Info Info	Notes Remarques
	W620cc											
	W625cc											
	W630cc											
	W640cc											
	W655cc											
	W675cc											
						1	<b>432 2905-14</b>	Cable set	Jeu de câbles	3	Door/Temp. /Tacho.	
<b>29</b>	1	1	1	1	1	1	<b>432 6345-01</b>	Arm	Bras	3		
<b>30</b>	1	1	1	1	1	1	<b>471 8861-01</b>	Level guard	Limiteur de niveau	1,2		
<b>31</b>	1	1	1	1	1	1	<b>471 2442-41</b>	Hose	Flexible	1	L=70	
<b>32</b>	1	1	1	1	1	1	<b>471 8863-01</b>	Level guard	Limiteur de niveau	1,2		
<b>33</b>	1	1	1	1	1	1	<b>438 2440-02</b>	Hose	Flexible	1	L=100	
<b>34</b>	1	1	1	1	1	1	<b>471 2265-69</b>	T-pipe	Tube en T	3		



Issue	Month	Year
03	03	08



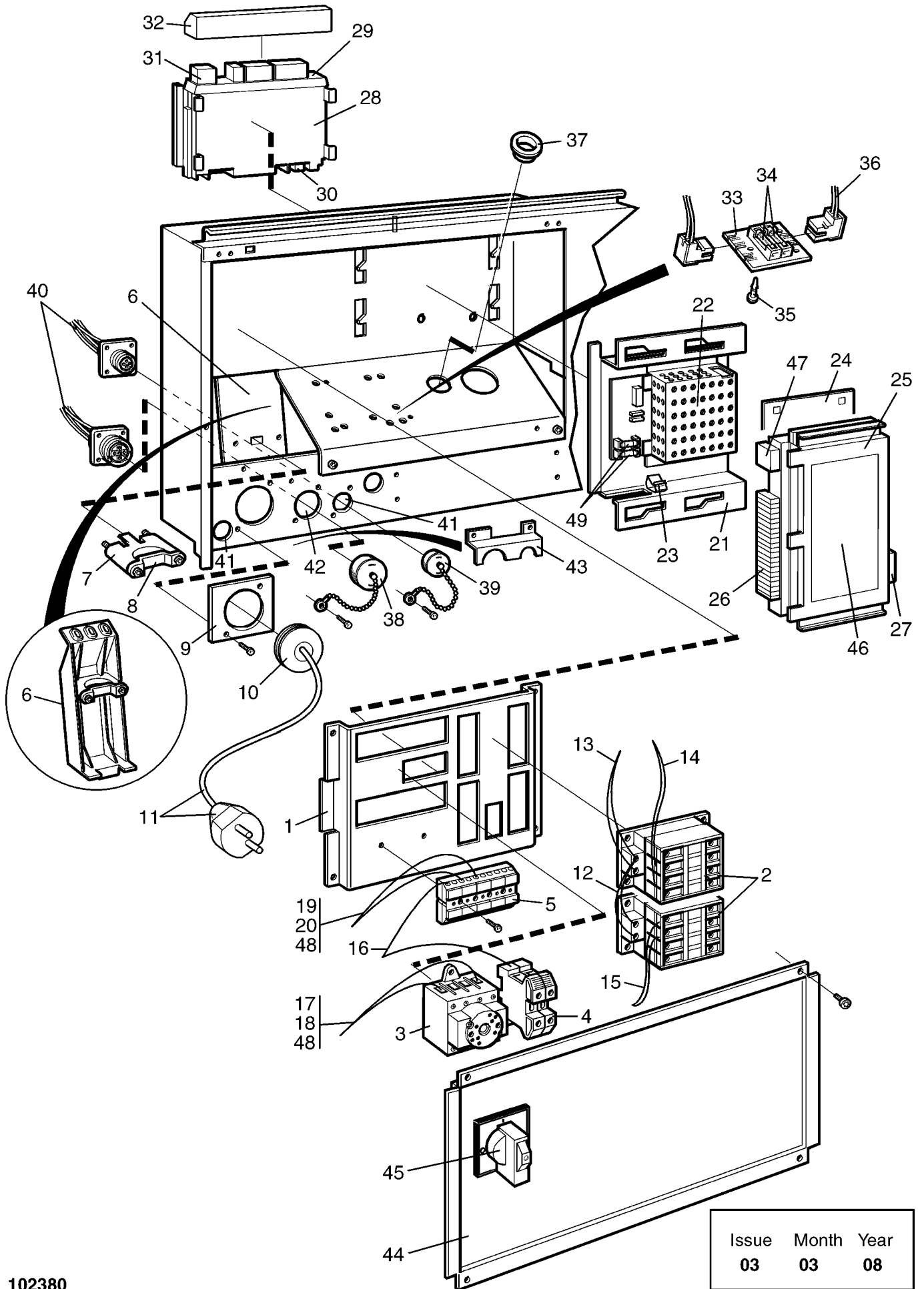
**W620cc,W625cc,W630cc,W640cc,W655cc,W675cc**

**Electric components connection**

**Composants électriques raccordement électrique**

Illustration Issue Month Year  
Schéma Issue Month Year  
**102380/1 6 6 2009**

Item Article	Quantity Quantité							Art.No Réf. article	Description	Description	Info Info	Notes Remarques
	W620cc											
		W625cc										
			W630cc									
				W640cc								
					W655cc							
						W675cc						
1	1	1	1	1	1	1	1	432 2154-01	Mounting plate	Plaque de montage	3	
2	1	Rq	Rq	Rq	Rq	Rq		438 9636-22	Contacteur	Relais	1,2	50Hz
	1	Rq	Rq	Rq	Rq	Rq		438 9636-23	Contacteur	Relais	1,2	60Hz
	1	Rq	Rq	Rq	Rq	Rq		438 9636-24	Contacteur	Relais	1,2	50/60Hz
							Rq	438 9636-92	Contacteur	Relais	1,2	50Hz
							Rq	438 9636-93	Contacteur	Relais	1,2	60Hz
							Rq	438 9636-94	Contacteur	Relais	1,2	50/60Hz
3	Rq	Rq	Rq	Rq	Rq	Rq	Rq	438 9678-01	Main switch	Main switch	1	3-pole, 30A
	Rq	Rq	Rq	Rq	Rq	Rq	Rq	438 9678-02	Main switch	Main switch	1	3-pole, 40A
	Rq	Rq	Rq	Rq	Rq	Rq	Rq	438 9678-03	Main switch	Main switch	1	3-pole, 50A
	Rq	Rq	Rq	Rq	Rq	Rq	Rq	438 9678-04	Main switch	Main switch	1	3-pole, 70A
	Rq	Rq	Rq	Rq	Rq	Rq	Rq	438 9678-11	Main switch	Main switch	1	4-pole, 30A
	Rq	Rq	Rq	Rq	Rq	Rq	Rq	438 9678-12	Main switch	Main switch	1	4-pole, 40A
	Rq	Rq	Rq	Rq	Rq	Rq	Rq	438 9678-13	Main switch	Main switch	1	4-pole, 50A
	Rq	Rq	Rq	Rq	Rq	Rq	Rq	438 9678-14	Main switch	Main switch	1	4-pole, 70A
4	2	2	2	2	2	2	2	471 8767-01	Block	Cale	3	SL10
	2	2	2	2	2	2	2	471 8767-02	Block	Cale	3	SL16
5	1	1	1	1	1	1	1	471 8783-01	Block	Cale	3	5-pole
	1	1	1	1	1	1	1	471 8783-03	Block	Cale	3	3-pole
	1	1	1	1	1	1	1	471 8783-04	Block	Cale	3	4-pole
6	1	1	1	1	1	1	1	432 2258-01	Plate	Plaque	3	
	1	1	1	1	1	1	1	432 2214-01	Cable clamp	Collier de câble	3	PLASTIC
7	1	1	1	1	1	1	1	471 7859-12	Clamp	Attache	3	Lower part
8	1	1	1	1	1	1	1	471 7859-16	Clamp	Attache	3	Upper part
9	1	1	1	1	1	1	1	432 2199-01	Plate	Plaque	3	Ø21
	1	1	1	1	1	1	1	432 2199-03	Plate	Plaque	3	Ø26
	1	1	1	1	1	1	1	432 2199-05	Plate	Plaque	3	Ø33
10	1	1	1	1	1	1	1	438 8720-01	Grommet	Oeillet	3	M25
	1	1	1	1	1	1	1	438 8720-02	Grommet	Oeillet	3	M32
	1	1	1	1	1	1	1	438 8720-03	Grommet	Passe-fil	3	M40
11	1	1	1	1	1	1	1	487 1702-45	Cable	Câble	3	
12	-	-	-	-	-	-	-	-	-	-		Not used
		1	1	1	1	1	1	432 2984-01	Cable set	Jeu de câbles	3	
13	1	1	1	1	1	1	1	413 3182-02	Cable set	Jeu de câbles	3	Heating
14	3	3	3	3	3	3	3	432 2954-03	Cable set	Jeu de câbles	3	
15	-	-	-	-	-	-	-	-	-	-		Not used
		1	1	1	1	1	1	432 2954-13	Cable set	Jeu de câbles	3	
16	1	1	1	1				432 2983-03	Cable set	Jeu de câbles	3	
					1	1		432 2983-04	Cable set	Jeu de câbles	3	
17	1	1	1	1	1	1	1	432 3092-86	Cable set	Jeu de câbles	3	
18	1	1	1	1	1	1	1	432 3106-01	Cable set	Jeu de câbles	3	Trafo
19	1	1	1	1	1	1	1	413 3082-35	Cable set	Jeu de câbles	3	
20	1	1	1	1	1	1	1	413 2905-02	Cable set	Jeu de câbles	3	Trafo Trafo
21	1	1	1	1	1	1	1	432 2257-01	Mounting plate	Plaque de montage	3	
22	1	1	1	1	1	1	1	432 6805-06	Power supply	Alimentation principale	1,2	
23	1	1	1	1	1	1	1	432 6320-01	Clamp	Attache	3	
24	1	1	1	1	1	1	1	432 2256-01	Plate	Plaque	3	
25	1	1	1	1	1	1	1	432 6930-02	Printed circuit board	Carte circuit	1,2	I/O-card type 2
26	Rq	Rq	Rq	Rq	Rq	Rq	Rq	438 8701-01	Multistik	Multi-grippe	3	
	Rq	Rq	Rq	Rq	Rq	Rq	Rq	438 8701-03	Multistik	Multi-grippe	3	
27	1	1	1	1	1	1	1	413 3274-01	Cable set	Jeu de câbles	3	D-bus
28	1	1	1	1	1	1	1	432 6903-02	Printed circuit board	Carte circuit	1,2	I/O-card
	1	1	1	1	1	1	1	432 6933-02	Printed circuit board	Carte circuit	1,2	I/O-card type 3



Issue	Month	Year
03	03	08

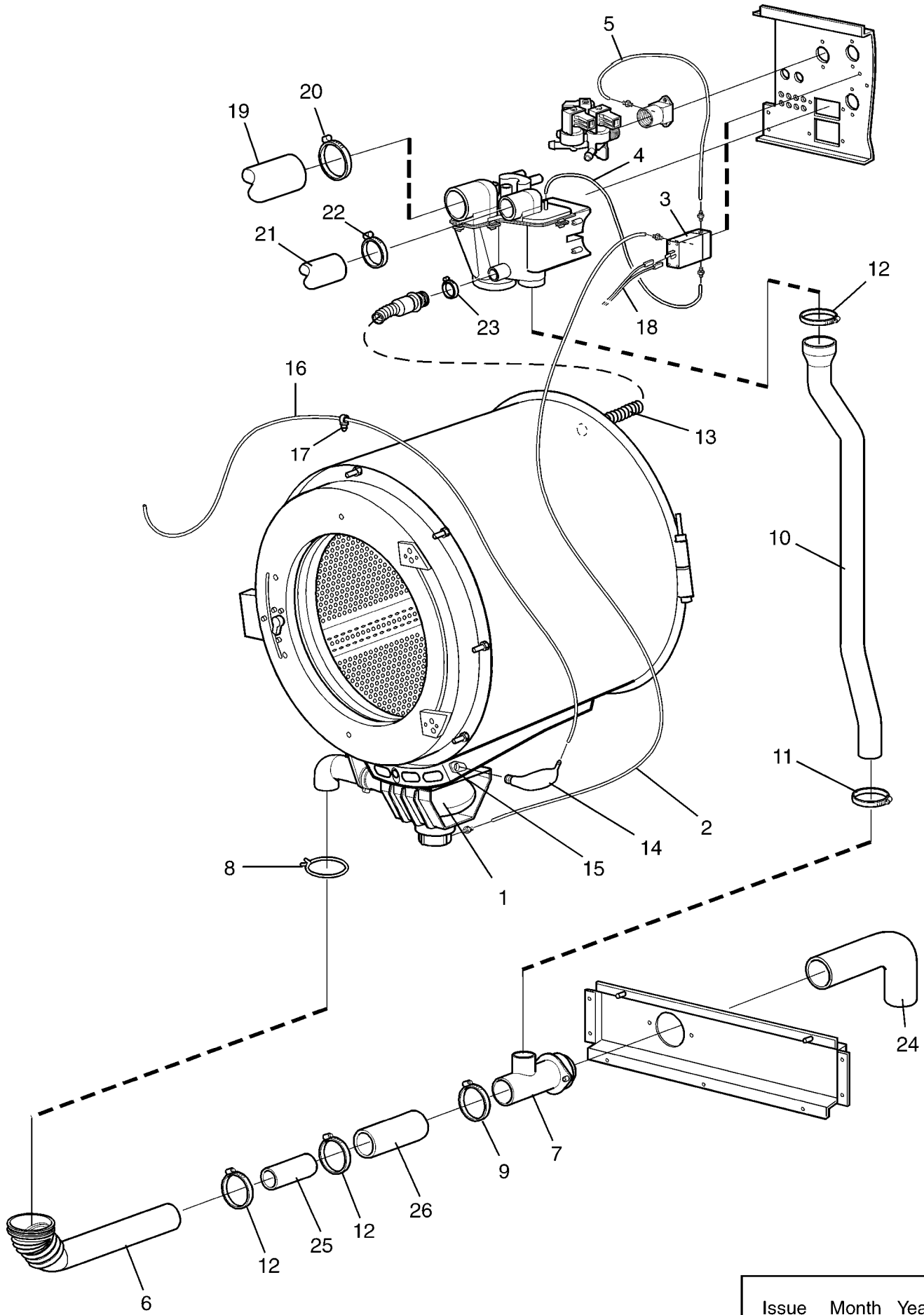
**W620cc,W625cc,W630cc,W640cc,W655cc,W675cc**

**Electric components connection**

**Composants électriques raccordement électrique**

Illustration Issue Month Year  
Schéma Issue Month Year  
**102380/1 6 6 2009**

Item Article	Quantity Quantité						Art.No Réf. article	Description	Description	Info Info	Notes Remarques
	W620cc										
	W625cc										
	W630cc										
	W640cc										
	W655cc										
	W675cc										
<b>29</b>								Sign	Échelle	3	
<b>30</b>	1	1	1	1	1	1	<b>413 3274-03</b>	Cable set	Jeu de câbles	3	4-pole
<b>31</b>	1	1	1	1	1	1	<b>413 3084-25</b>	Cable set	Jeu de câbles	3	4-pole
<b>32</b>	1	1	1	1	1	1	<b>432 6323-01</b>	Cover	Couvercle	3	
<b>33</b>	1	1	1	1	1	1	<b>438 8797-02</b>	Printed circuit board	Carte circuit	1,2	
<b>34</b>	2	2	2	2	2	2	<b>471 8750-11</b>	•Fuse	•Porte-fusible	1,2	1,25A
<b>35</b>	3	3	3	3	3	3	<b>471 7960-02</b>	Support	Support	3	
<b>36</b>	1	1	1	1	1	1	<b>413 3082-05</b>	Cable set	Jeu de câbles	3	
<b>37</b>	1	1	1	1	1	1	<b>762 1182-10</b>	Grommet	Oeillet	3	Ø22,2MM
<b>38</b>	1	1	1	1	1	1	<b>438 7950-02</b>	Cover washer	Rondelle protection	3	14-pole
<b>39</b>	1	1	1	1	1	1	<b>438 7950-01</b>	Cover washer	Rondelle protection	3	4-pole
<b>40</b>	1	1	1	1	1	1	<b>413 2946-01</b>	Cable set	Jeu de câbles	3	
<b>41</b>	2	2	2	2	2	2	<b>471 7977-03</b>	Cover plug	Couvre-bouchon	3	
<b>42</b>	1	1	1	1	1	1	<b>471 7977-04</b>	Cover plug	Couvre-bouchon	3	
<b>43</b>	1	1	1	1	1	1	<b>432 1220-01</b>	Cover	Couvercle	3	
<b>44</b>	1	1	1	1	1	1	<b>432 3604-01</b>	Cover	Couvercle	3	With hole
	1	1	1	1	1	1	<b>432 3604-02</b>	Cover	Couvercle	3	Without hole
<b>45</b>	1	1	1	1	1	1	<b>471 9678-94</b>	Knob	Bouton de porte	1	
<b>46</b>	1	1	1	1	1	1	<b>471 4673-93</b>	Sign	Échelle	3	I/O-card type 2
<b>47</b>	1	1	1	1	1	1	<b>413 3084-02</b>	Cable set	Jeu de câbles	3	4-pole P-bus
<b>48</b>	1	1	1				<b>413 2909-01</b>	Cable set	Jeu de câbles	3	Trafo-EWD900
				1			<b>432 3075-01</b>	Cable set	Jeu de câbles	3	Trafo-EWD1300
					1	1	<b>432 3076-01</b>	Cable set	Jeu de câbles	3	Trafo-EWD2300
<b>49</b>	2	2	2	2	2	2	<b>471 8750-16</b>	Fuse	Porte-fusible	1,2	3,15A



102503

Issue	Month	Year
01	01	07

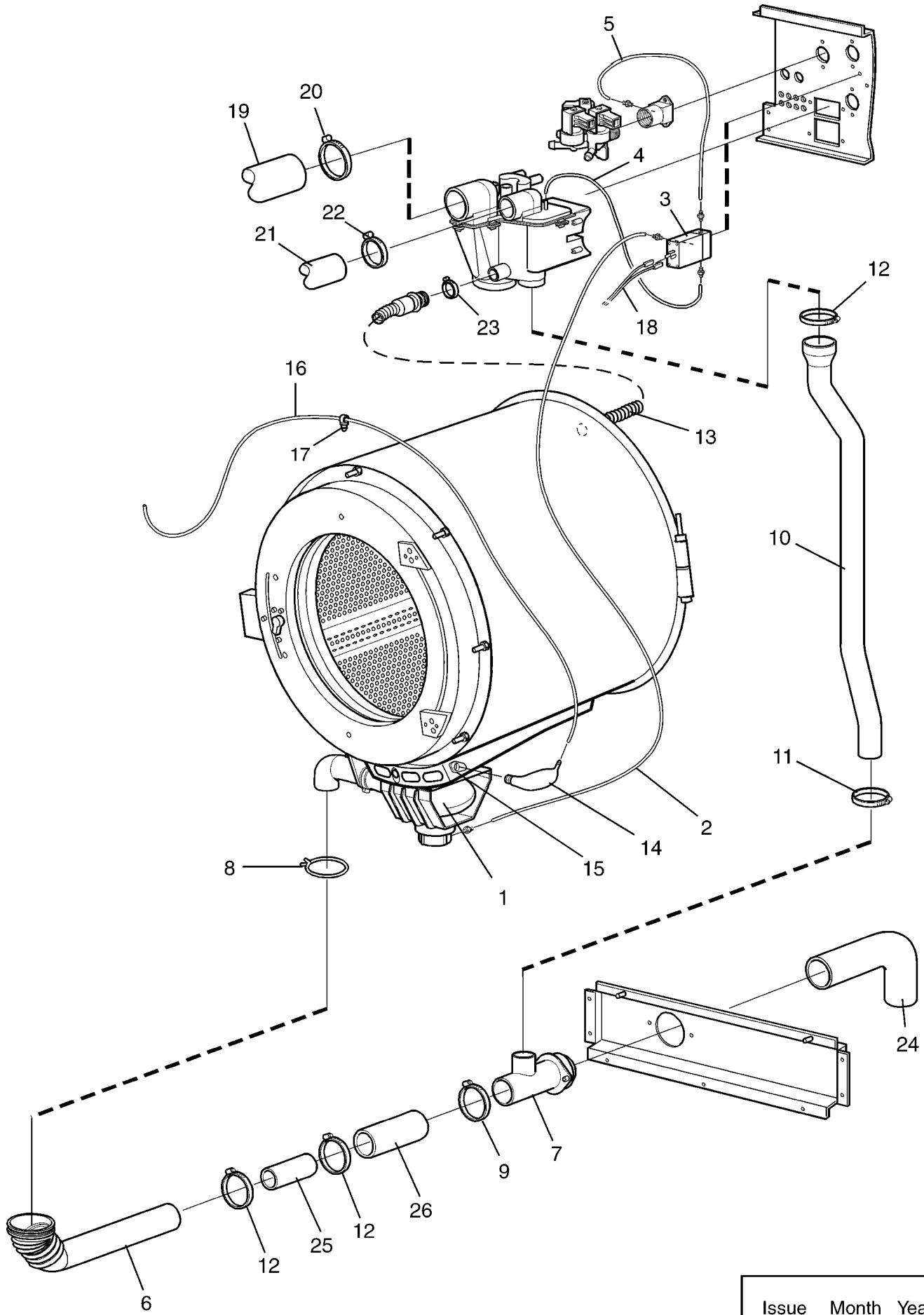
**W620cc,W625cc,W630cc,W640cc,W655cc,W675cc**

**Drain valve and hoses**

**Purgeur et flexible**

Illustration Issue Month Year  
Schéma Issue Month Year  
**102503/1 2 9 2009**

Item Article	Quantity Quantité							Art.No Réf. article	Description	Description	Info Info	Notes Remarques
	W620cc											
	W625cc											
	W630cc											
	W640cc											
	W655cc											
	W675cc											
1	1	1	1	1	1	1	1	432 2502-01	Drain valve	Vanne de vidange	1,2	
2	1							471 8139-05	Hose	Flexible	1	L=1750
		1	1					471 8139-11	Hose	Flexible	1	L=1900
				1				471 8139-15	Hose	Flexible	1	L=2100
					1	1		471 8139-16	Hose	Flexible	1	L=2250
3	1	1	1	1	1	1	1	471 8243-07	Solenoid valve	Electrovanne	1,2	230V 50Hz
	1	1	1	1	1	1	1	471 8243-08	Solenoid valve	Electrovanne	1,2	208-240V 60Hz
	1	1	1	1	1	1	1	471 8243-09	Solenoid valve	Electrovanne	1,2	120V 60Hz
	1	1	1	1	1	1	1	471 8243-10	Solenoid valve	Electrovanne	1,2	230V 50/60Hz
4	1	1	1	1	1	1	1	438 8102-06	Hose	Flexible	1	Japan L=330
5	1	1	1	1	1	1	1	471 8139-01	Hose	Flexible	1	L=330
6	1	1		1	1			432 2519-02	Hose	Flexible	1	
			1					432 2519-04	Hose	Flexible	1	
						1		432 2522-01	Hose	Flexible	1	
7	1							432 2511-01	Drain pipe connection	Raccord de vidange	3	-520/121663, 521/400019-403819
	1							413 5003-01	Drain pipe connection	Raccord de vidange	3	521/403820-
		1						432 2511-01	Drain pipe connection	Raccord de vidange	3	-595/106656, 521/400164-404049
			1					413 5003-01	Drain pipe connection	Raccord de vidange	3	521/404050-
				1				432 2511-01	Drain pipe connection	Raccord de vidange	3	-595/106657, 521/400104-404049
					1			413 5003-01	Drain pipe connection	Raccord de vidange	3	521/404050-
8	1	1	1	1	1	1	1	432 2511-01	Drain pipe connection	Raccord de vidange	3	
9	1	1	1	1	1	1	1	736 2846-51	Hose clamp	Attache flexible	3	Ø73-83
10	1	1	1	1	1	1	1	736 2846-51	Hose clamp	Attache flexible	3	Ø73-83
			1					432 2521-03	Hose	Flexible	1	
				1				432 2521-05	Hose	Flexible	1	
11	1	1	1					736 2831-51	Hose clamp	Attache flexible	3	Ø36-42
				1	1	1		736 2837-51	Hose clamp	Attache flexible	3	Ø48-54
12	1	1	1	1	1	1	1	736 2837-51	Hose clamp	Attache flexible	3	Ø48-54
13	1	1	1					432 2508-01	Hose	Flexible	1	
				1	1	1		432 2508-02	Hose	Flexible	1	
14	1	1	1	1	1	1	1	432 2507-01	Air tube	Chambre de compression	1	
15	1	1	1	1	1	1	1	432 2506-01	Connection	Connexion	3	
16	1	1	1					471 2433-14	Hose	Flexible	1	L=940
				1				471 8118-07	Hose	Flexible	1	L=1325
					1	1		471 8118-01	Hose	Flexible	1	L=1600
17	Rq	Rq	Rq	Rq	Rq	Rq	Rq	471 7887-01	Clip	Colliers de serrage	3	
18	1	1	1	1	1	1	1	432 3182-41	Cable set	Jeu de câbles	3	X50
					1	1		432 3182-43	Cable set	Jeu de câbles	3	X50
19	1							471 8128-63	Hose	Flexible	1	
		1						471 8128-66	Hose	Flexible	1	
			1					471 8128-64	Hose	Flexible	1	
				1				471 8128-61	Hose	Flexible	1	
					1			471 8128-67	Hose	Flexible	1	
						1		471 8128-65	Hose	Flexible	1	
20	2	2	2	2	2	2	2	736 2840-51	Hose clamp	Attache flexible	3	Ø50-63
21	1							471 8124-07	Hose	Flexible	1	
		1						471 8124-02	Hose	Flexible	1	
			1					471 8124-03	Hose	Flexible	1	



102503

Issue	Month	Year
01	01	07

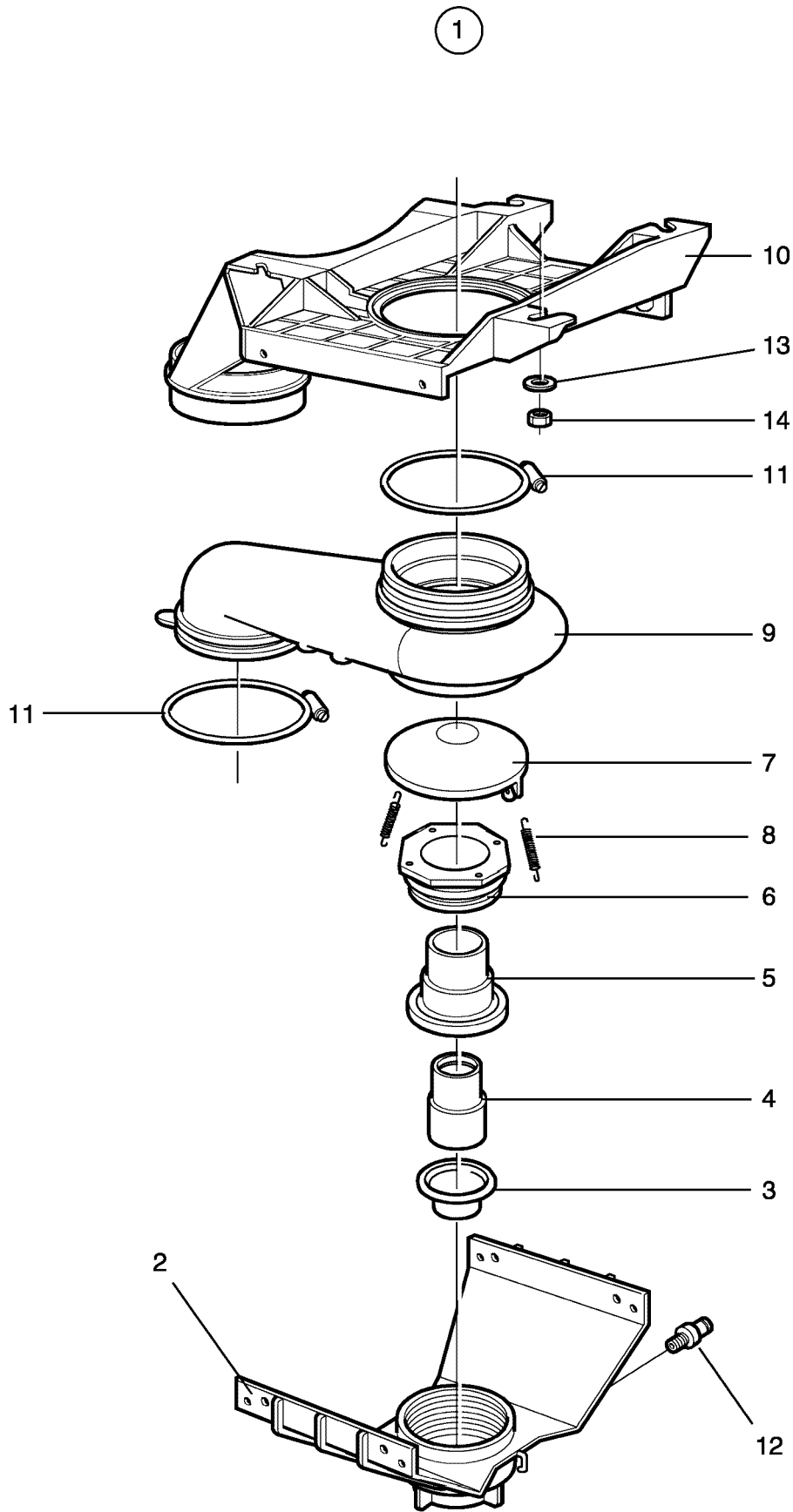
**W620cc,W625cc,W630cc,W640cc,W655cc,W675cc**

**Drain valve and hoses**

**Purgeur et flexible**

Illustration Issue Month Year  
Schéma Issue Month Year  
**102503/1 2 9 2009**

Item Article	Quantity Quantité							Art.No Réf. article	Description	Description	Info Info	Notes Remarques
	W620cc											
	W625cc											
	W630cc											
	W640cc											
	W655cc											
	W675cc											
				1			<b>471 8124-04</b>	Hose	Flexible	1		
					1		<b>471 8124-08</b>	Hose	Flexible	1		
						1	<b>471 8124-09</b>	Hose	Flexible	1		
<b>22</b>	2	2	2	2	2	2	<b>736 2831-51</b>	Hose clamp	Attache flexible	3	Ø36-42	
<b>23</b>	1	1	1	1	1	1	<b>736 2825-51</b>	Hose clamp	Attache flexible	3	Ø32	
<b>24</b>	1	1					<b>438 5040-01</b>	Drain hose	Flexible de vidange	1	Ø50	
	1	1	1	1	1	1	<b>471 4835-01</b>	Drain hose	Flexible de vidange	1	Ø75	
<b>25</b>	-	-	1	-	-	-	<b>471 8613-05</b>	Tube	Tube	3	Ø50, L=80	
<b>26</b>	-	-	1	-	-	-	<b>471 8128-41</b>	Hose	Flexible	1	L=90, 1 1/2"	





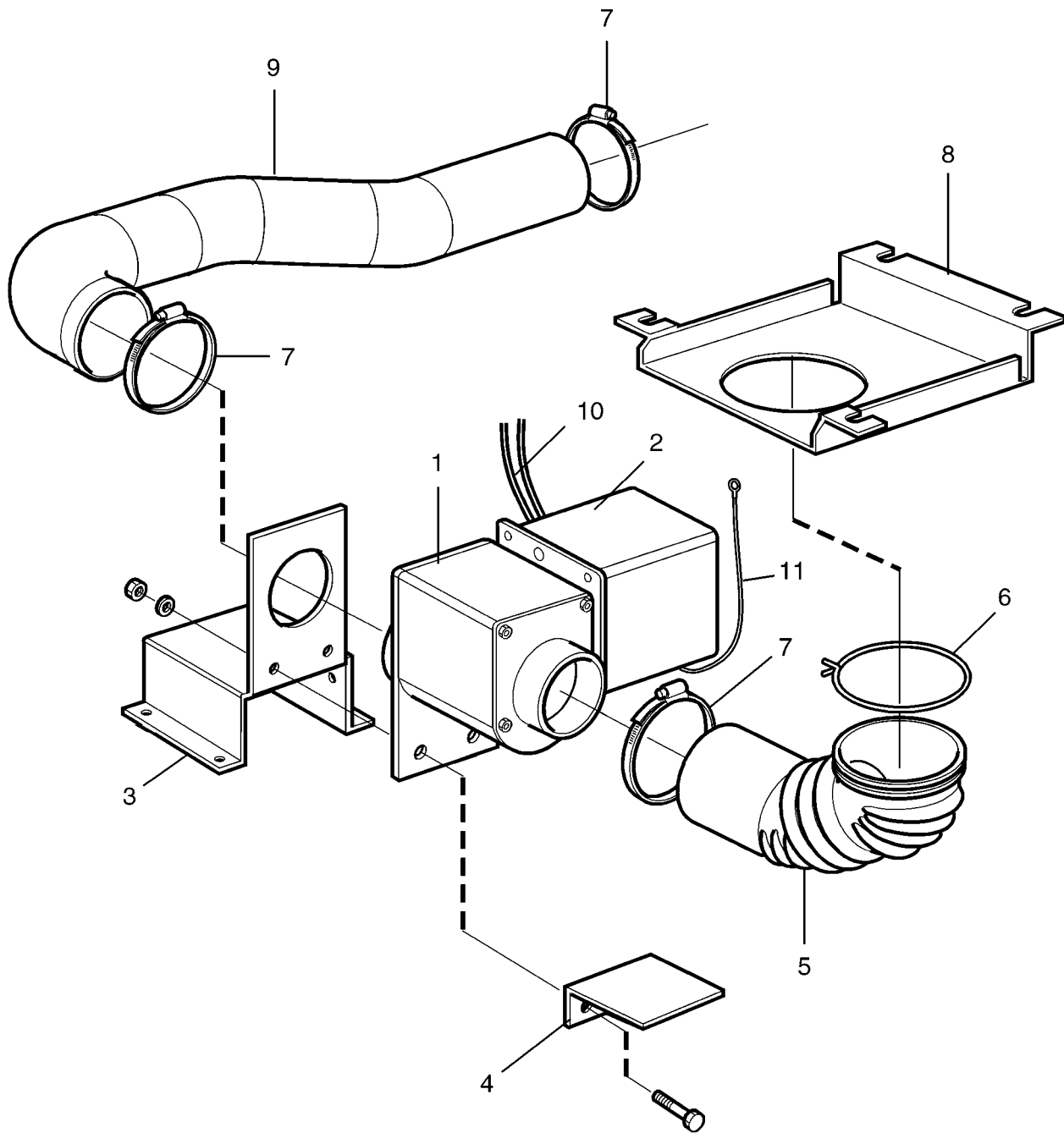
**W620cc,W625cc,W630cc,W640cc,W655cc,W675cc**

**Drain valve**

**Vanne de vidange**

Illustration Issue Month Year  
Schéma Issue Month Year  
**102343/1 2 11 2008**

Item Article	Qua. Qua.	Art.No Réf. article	Description	Description	Info Info	Notes Remarques
<b>1</b>	1	<b>432 2502-01</b>	Drain valve	Vanne de vidange	1,2	
<b>2</b>	1	<b>438 0051-01</b>	•Lower frame	•Châssis inférieur	3	
<b>3</b>	1	<b>471 8195-01</b>	•Diaphragm	•Diaphragme	1,2	
<b>4</b>	1	<b>438 0054-01</b>	•Piston	•Piston	3	
<b>5</b>	1	<b>438 0053-01</b>	•Housing	•Logement	3	
<b>6</b>	1	<b>438 0055-01</b>	•Gland	•Presse-étoupe	3	
<b>7</b>	1	<b>438 0052-01</b>	•Cover	•Couvercle	3	
<b>8</b>	2	<b>471 7818-01</b>	•Spring	•Ressort	1	
<b>9</b>	1	<b>432 2505-01</b>	•Hose housing	•Membrane de vidange	1,2	
<b>10</b>	1	<b>432 2501-01</b>	•Upper frame	•Partie supérieure	3	
<b>11</b>	2	<b>471 7871-04</b>	•Hose clamp	•Attache flexible	3	
<b>12</b>	1	<b>471 8688-13</b>	•Nipple	•Raccord	1	1/8"
<b>13</b>	4	<b>734 1153-09</b>	Washer	Rondelle	3	BRB 6,4X12
<b>14</b>	4	<b>732 2116-42</b>	Locking nut	Contre-écrou	3	M6



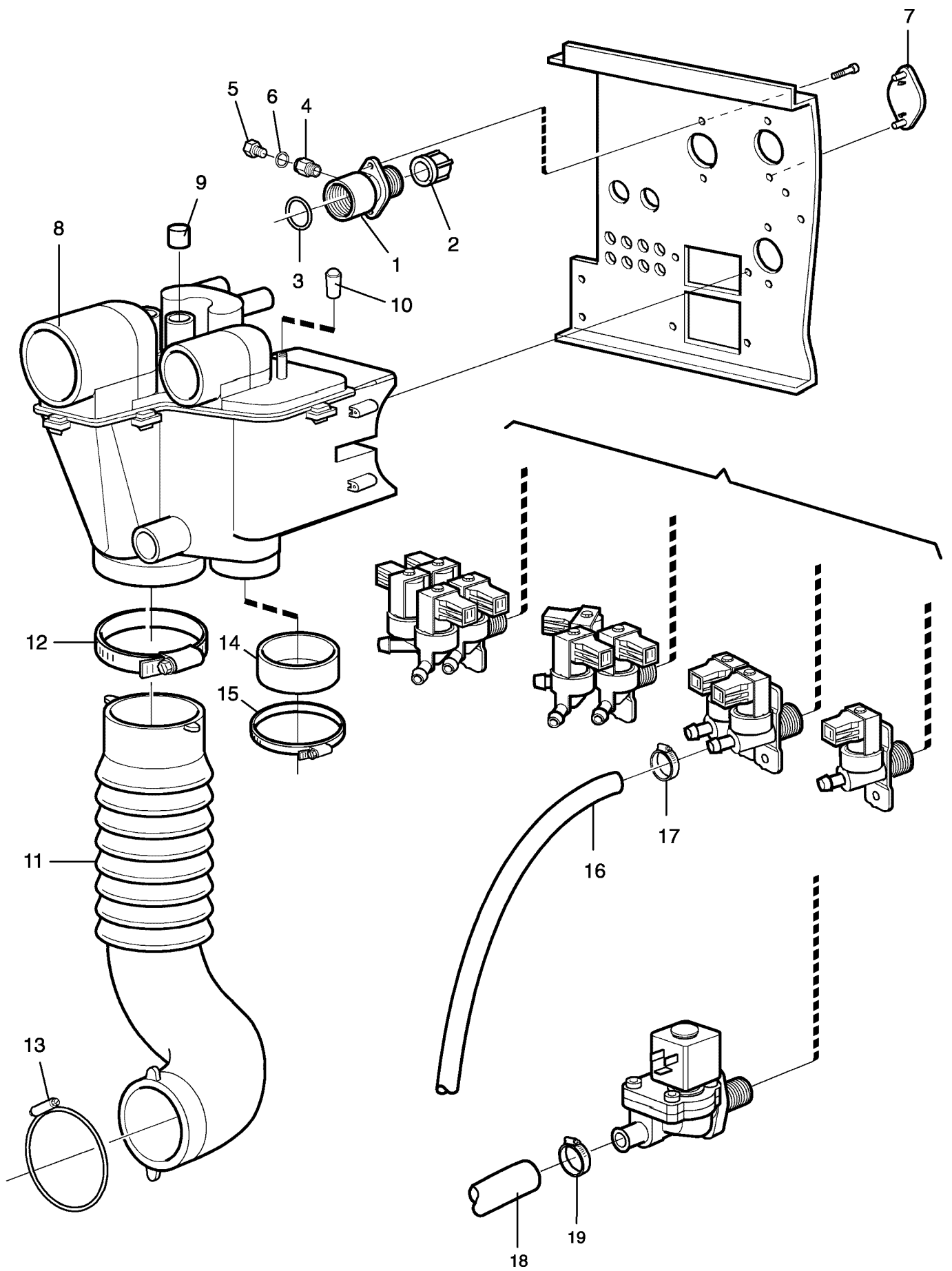
**W620cc,W625cc,W630cc,W640cc,W655cc,W675cc**

**Drain valve, electrical**

Illustration Issue Month Year  
Schéma Issue Month Year  
**102492/1 5 6 2010**

**Drain valve, electrical**

Item Article	Quantity Quantité							Art.No Réf. article	Description	Description	Info Info	Notes Remarques
	W620cc											
	W625cc											
	W630cc											
	W640cc											
	W655cc											
	W675cc											
<b>1</b>	1	1	1	1	1	1	<b>471 8215-01</b>	Drain valve	Vanne de vidange	1,2	50/60Hz	
	1	1	1	1	1	1	<b>471 8215-03</b>	Drain valve	Vanne de vidange	1,2	50/60Hz	
<b>2</b>	1	1	1	1	1	1	<b>432 2548-01</b>	Cover	Couvercle	3		
<b>3</b>	1	1	1				<b>432 2531-02</b>	Mounting plate	Plaque de montage	3		
				1	1	1	<b>432 2531-01</b>	Mounting plate	Plaque de montage	3		
<b>4</b>	1	1	1	1	1	1	<b>432 2537-01</b>	Support	Support	3		
<b>5</b>	1	1	1	1	1		<b>432 2516-04</b>	Hose	Flexible	1		
						1	<b>432 2516-05</b>	Hose	Flexible	1		
<b>6</b>	1	1	1	1	1	1	<b>471 7871-07</b>	Hose clamp	Attache flexible	3		
<b>7</b>	3	3	3	3	3	3	<b>736 2846-51</b>	Hose clamp	Attache flexible	3	Ø73-83	
<b>8</b>	1	1	1	1	1	1	<b>432 2534-01</b>	Mounting plate	Plaque de montage	3		
<b>* 9</b>	1						<b>432 2518-01</b>	Hose	Flexible	1		
<b>* *</b>		1					<b>432 2518-07</b>	Hose	Flexible	1		
<b>* *</b>			1				<b>432 2518-02</b>	Hose	Flexible	1		
				1			<b>432 2518-03</b>	Hose	Flexible	1		
					1		<b>432 2518-04</b>	Hose	Flexible	1		
						1	<b>432 2518-05</b>	Hose	Flexible	1		
<b>10</b>	1						<b>413 2902-03</b>	Cable set	Jeu de câbles	3		
		1					<b>413 2902-05</b>	Cable set	Jeu de câbles	3		
			1				<b>413 2902-05</b>	Cable set	Jeu de câbles	3		
				1			<b>413 2902-07</b>	Cable set	Jeu de câbles	3		
					1		<b>413 2902-09</b>	Cable set	Jeu de câbles	3		
						1	<b>413 2902-11</b>	Cable set	Jeu de câbles	3		
	1	1	1	1	1	1	<b>413 2902-13</b>	Cable set	Jeu de câbles	3	Normally closed	
<b>11</b>	1	1	1				<b>432 2982-10</b>	Ground cable	Câble mise terre	3		



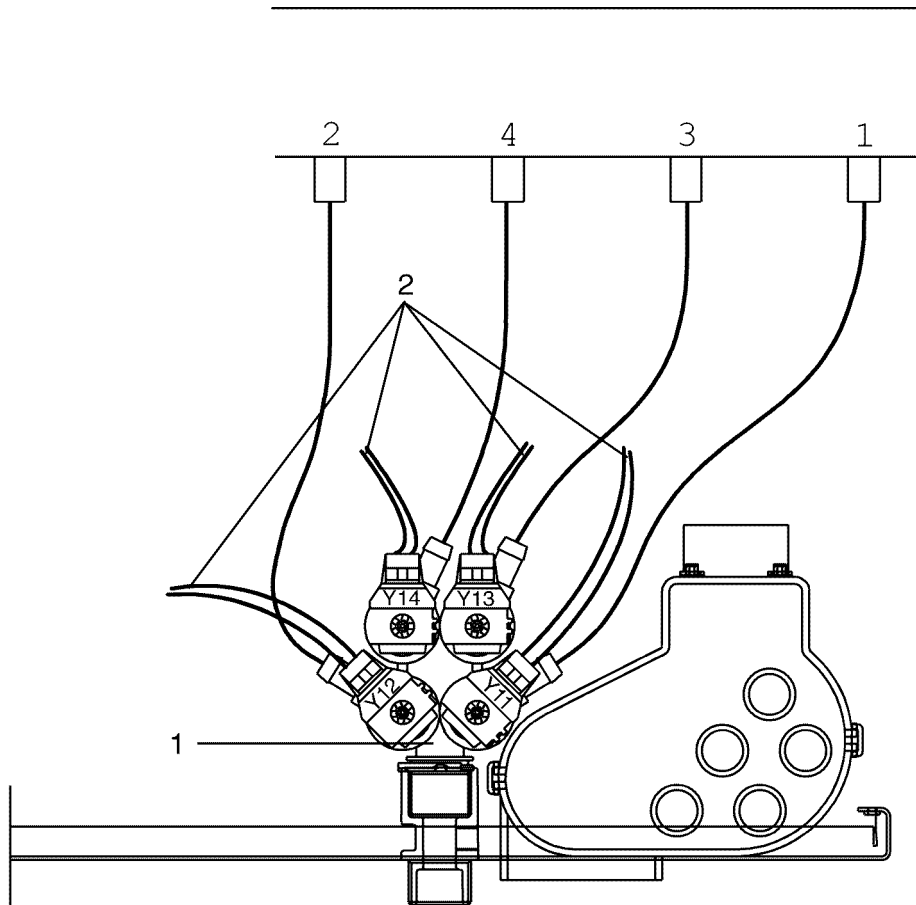
**W620cc,W625cc,W630cc,W640cc,W655cc,W675cc**

**Water connections**

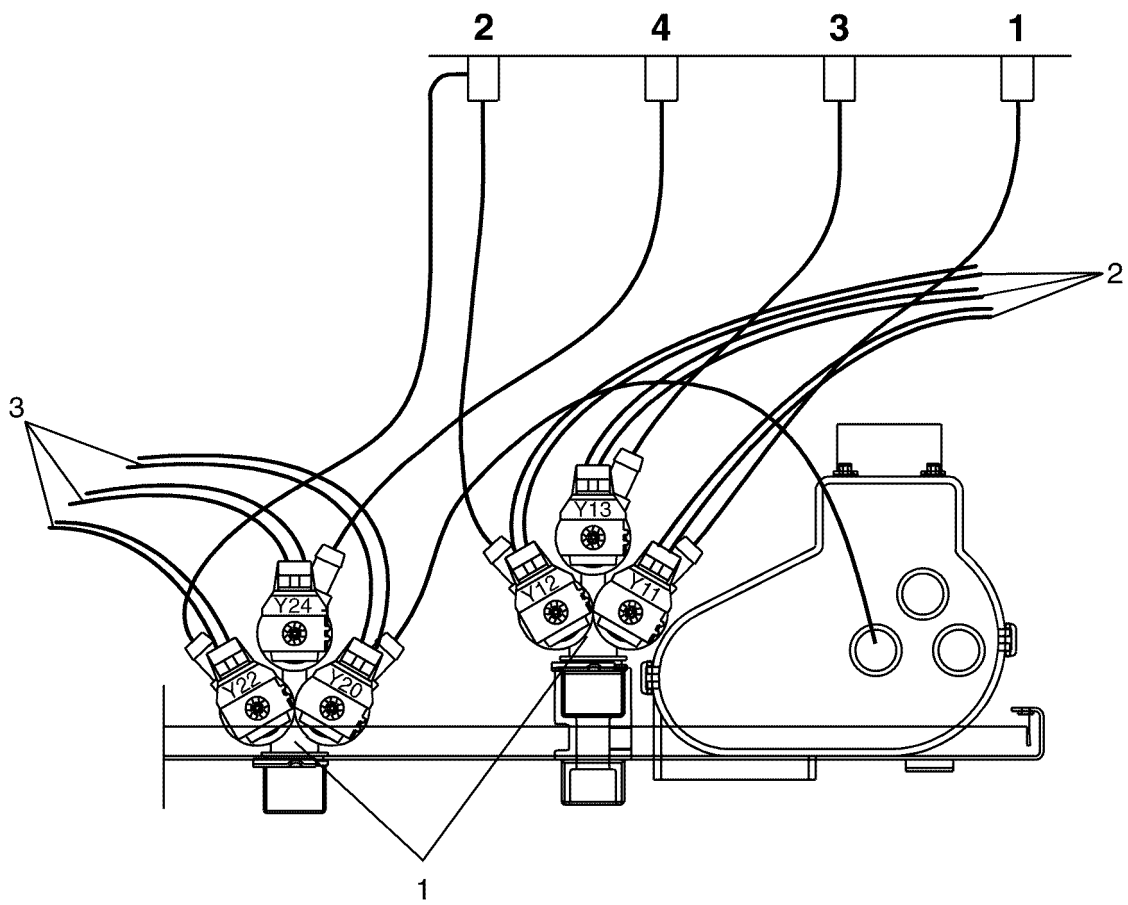
Illustration Issue Month Year  
Schéma Issue Month Year  
**102316/1 1 6 2006**

**Raccords d'eau**

Item Article	Quantity Quantité							Art.No Réf. article	Description	Description	Info Info	Notes Remarques
	W620cc											
	W625cc											
	W630cc											
	W640cc											
	W655cc											
	W675cc											
<b>1</b>	1	1	1	1	1	1	<b>438 0056-03</b>	Nipple	Raccord	3	Black, 3/4"	
	1	1	1	1	1	1	<b>438 0056-04</b>	Nipple	Raccord	3	White, 3/4", USA	
<b>2</b>	1	1	1	Rq	Rq	Rq	<b>471 8693-21</b>	Filter	Filtre	3		
<b>3</b>	1	1	1	1	1	1	<b>471 8199-01</b>	Gasket	Joint	3		
<b>4</b>	1	1	1	1	1	1	<b>471 8688-13</b>	Nipple	Raccord	3	1/8"	
<b>5</b>	1	1	1	1	1	1	<b>741 5109-25</b>	Plug	Fiche	3	El-drain	
<b>6</b>	1	1	1	1	1	1	<b>740 4206-00</b>	O-ring	Joint torique	3	El-drain	
<b>7</b>	Rq	Rq	Rq	Rq	Rq	Rq	<b>472 6761-01</b>	Cover washer	Rondelle protection	3		
<b>8</b>	1	1	1	1	1	1	<b>432 2301-01</b>	Siphon breaker	Rupteur de siphon	3		
<b>9</b>	Rq	Rq	Rq	Rq	Rq	Rq	<b>471 8175-01</b>	Plug	Fiche	3		
<b>10</b>	1	1	1	1	1	1	<b>471 8644-02</b>	Plug	Fiche	3		
<b>11</b>	1	1	1				<b>432 2305-01</b>	Hose	Flexible	1		
				1	1	1	<b>432 2306-01</b>	Hose	Flexible	1		
<b>12</b>	1	1	1	1	1	1	<b>736 2846-51</b>	Hose clamp	Attache flexible	3	Ø73-83	
<b>13</b>	1	1	1				<b>471 7871-08</b>	Hose clamp	Attache flexible	3		
				1	1	1	<b>471 7871-04</b>	Hose clamp	Attache flexible	3		
<b>14</b>	1	1					<b>471 2409-89</b>	Hood	Capot	3	Pump	
				-	-	-					Not used	
<b>15</b>	1	1					<b>736 2837-51</b>	Hose clamp	Attache flexible	3	Ø48-54 Pump	
				-	-	-					Not used	
<b>16</b>	Rq	Rq	Rq	Rq	Rq	Rq	<b>877 5211-08</b>	Hose	Flexible	1	Per 1 m	
<b>17</b>	Rq	Rq	Rq	Rq	Rq	Rq	<b>736 2816-51</b>	Hose clamp	Attache flexible	3	Ø13-19	
<b>18</b>	-	-	-								Not used	
				Rq	Rq	Rq	<b>432 2308-01</b>	Hose	Flexible	1		
<b>19</b>	-	-	-								Not used	
				Rq	Rq	Rq	<b>736 2825-51</b>	Hose clamp	Attache flexible	3	Ø32	









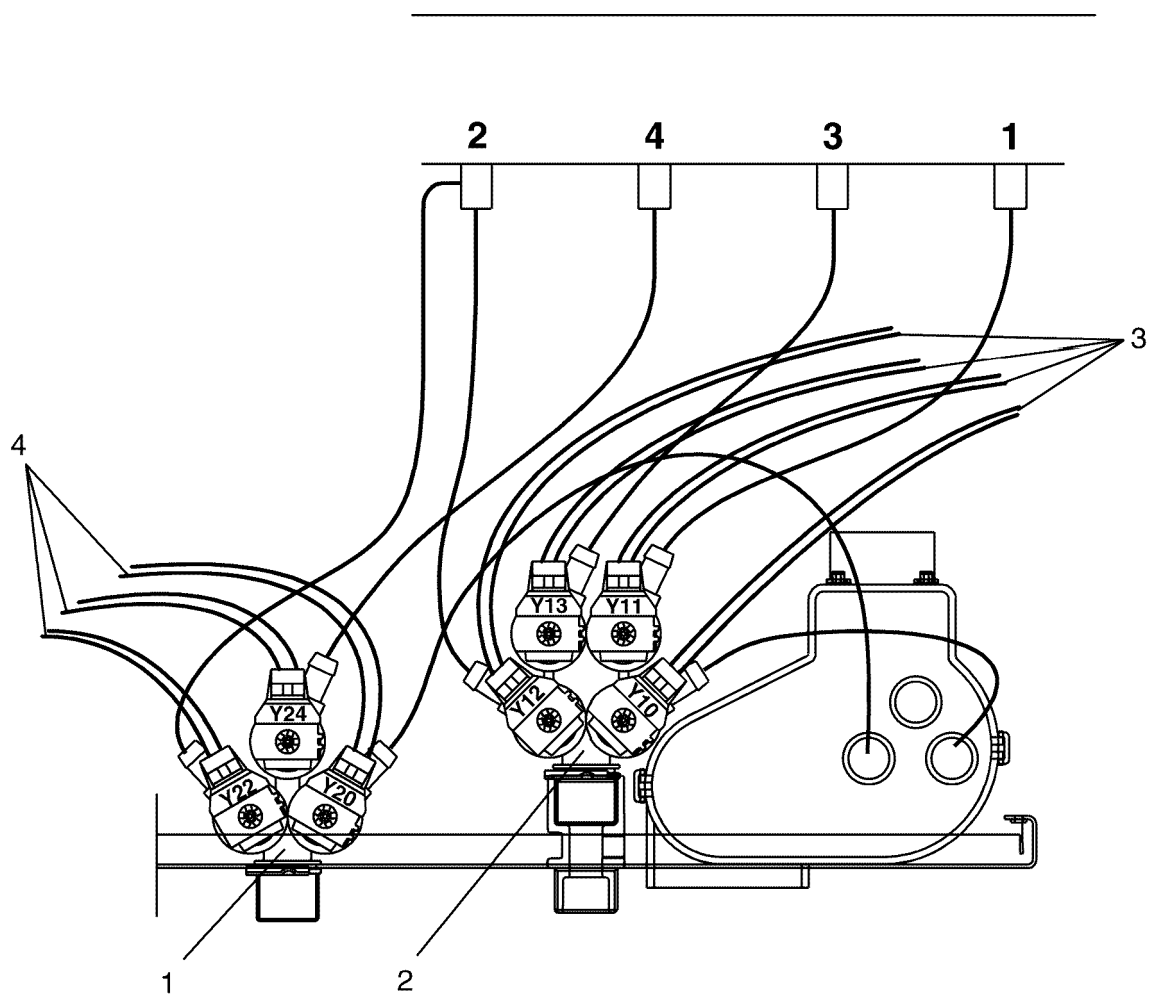
**W620cc,W625cc,W630cc,W640cc**

**Inlet valves and cable set**

Illustration Issue Month Year  
Schéma Issue Month Year  
**102482/1 2 11 2009**

**Inlet valves and cable set**

Item Article	Quantity Quantité	Art.No Réf. article	Description	Description	Info Info	Notes Remarques						
<b>1</b>	W620cc		<b>471 8236-76</b>	Valve	Electrovanne	1,2 3-way, 208-240V 50/60Hz, BSP						
	2	W625cc										
		2					W630cc					
							2	2	W640cc			
	<b>2</b>	2					2	<b>471 8236-78</b>	Valve	Electrovanne	1,2 3-way, 208-240V 50/60Hz, NH USA US	
		2					2	<b>471 8236-79</b>	Valve	Electrovanne	1,2 3-way, 120V 60Hz, NH USA US	
		1					1	<b>413 3086-07</b>	Cable set	Jeu de câbles	3 Cold	
		<b>3</b>					1	1	<b>413 3086-07</b>	Cable set	Jeu de câbles	3 Cold
							1	1	<b>413 3086-09</b>	Cable set	Jeu de câbles	3 Cold
								1	<b>413 3086-08</b>	Cable set	Jeu de câbles	3 Hot
1			<b>413 3086-08</b>	Cable set	Jeu de câbles	3 Hot						
	1	<b>413 3086-10</b>	Cable set	Jeu de câbles	3 Hot							



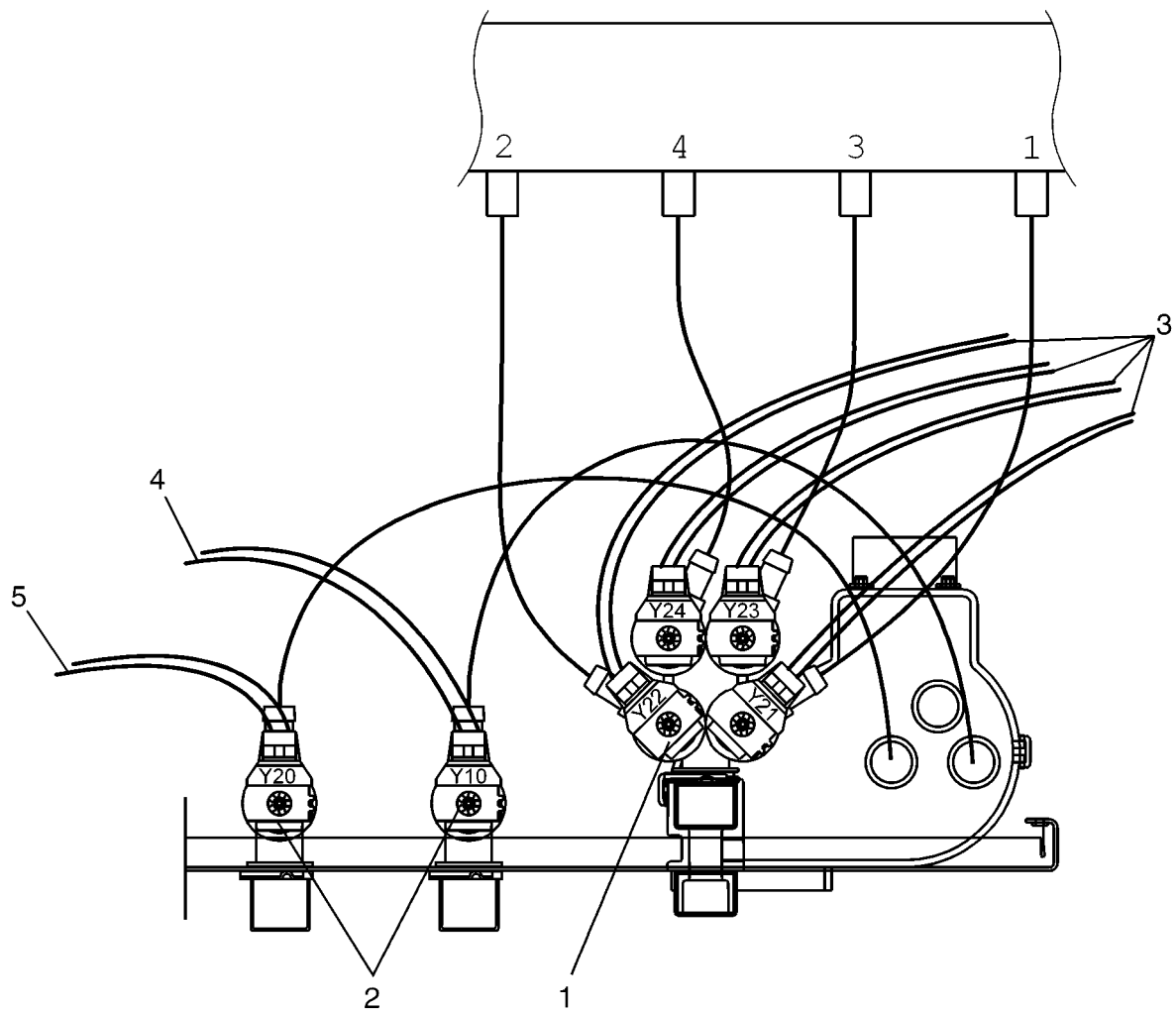
**W620cc,W625cc,W630cc,W640cc**

**Inlet valves and cable set**

Illustration Issue Month Year  
Schéma Issue Month Year  
**102483/1 2 11 2009**

**Inlet valves and cable set**

Item Article	Quantity Quantité	Art.No Réf. article	Description	Description	Info Info	Notes Remarques							
<b>1</b>	W620cc				Valve	Electrovanne	1,2 3-way, 208-240V 50/60Hz, BSP						
	1	W625cc						471 8236-76	Electrovanne	1,2 3-way, 208-240V 50/60Hz, NH USA US			
		1	W630cc								471 8236-78	Electrovanne	1,2 3-way, 120V 60Hz, NH USA US
			1	W640cc									
	2	1	1	1				471 8240-64	Electrovanne	1,2 4-way, 120V 60Hz, NH USA			
		1	1	1				471 8240-67	Electrovanne	1,2 4-way, 208-240V 50/60Hz, NH USA US			
		1	1	1				471 8240-68	Electrovanne	1,2 4-way, 208-240V 50/60Hz, NH USA US			
	3	1	1	1				413 3088-07	Cable set	3 Cold			
		1	1	1				413 3088-07	Cable set	3			
		1	1	1				413 3088-10	Cable set	3			
	4	1	1	1				413 3086-08	Cable set	3 Hot			
		1	1	1				413 3086-08	Cable set	3			
1		1	1	413 3086-10	Cable set	3							



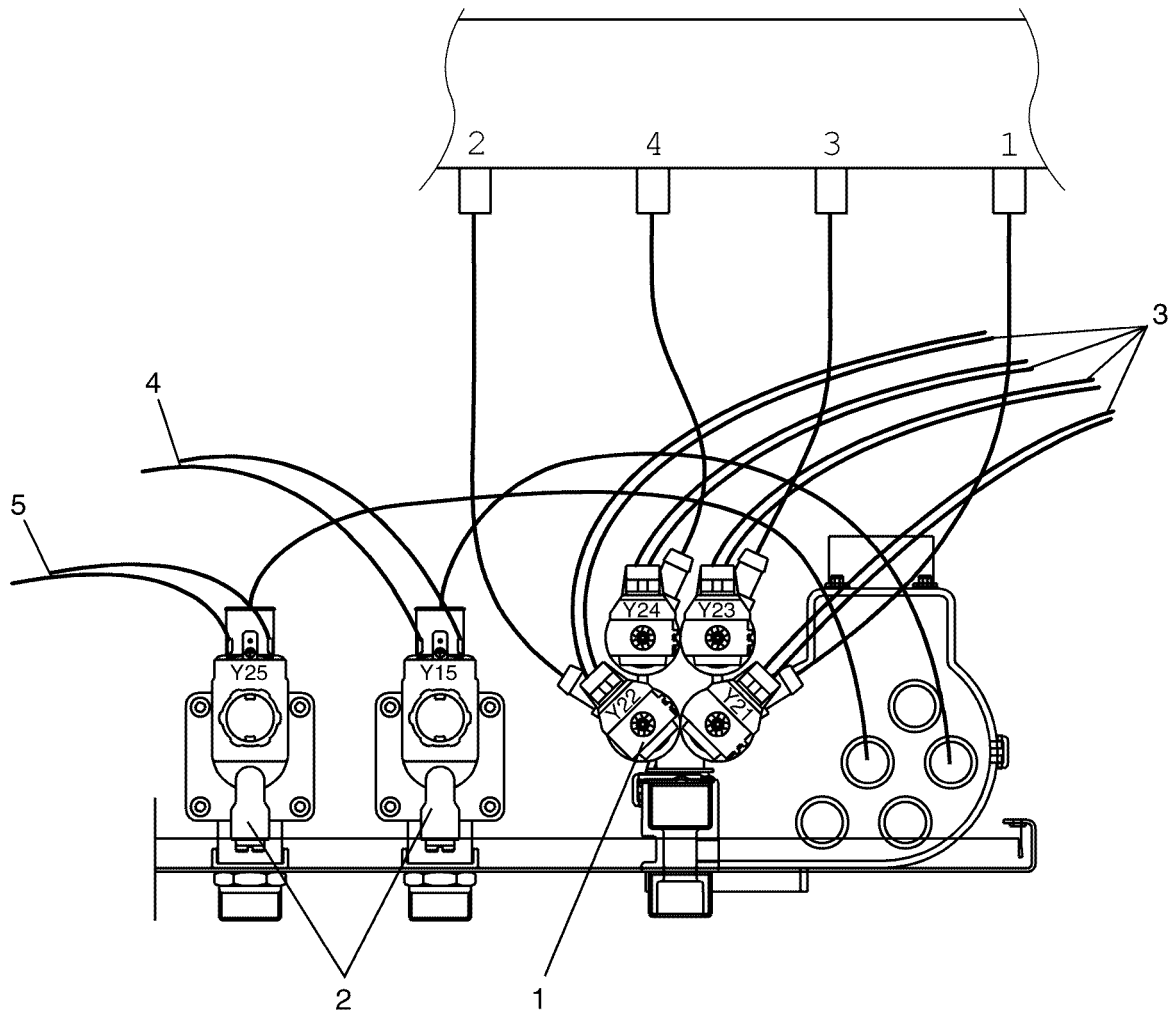
**W620cc,W625cc,W630cc,W640cc**

**Inlet valves and cable set**

Illustration Issue Month Year  
Schéma Issue Month Year  
**102384/1 2 11 2009**

**Inlet valves and cable set**

Item Article	Quantity Quantité	Art.No Réf. article	Description	Description	Info Info	Notes Remarques																	
<b>1</b>	W620cc																						
	1	W625cc					<b>471 8240-63</b> Valve	Electrovanne	1,2 4-way, 208-240V 50/60Hz, BSP														
		1	1	1						<b>471 8240-69</b> Valve	1,2 4-way, 208-240V 50/60Hz, NH USA USA												
	2	W630cc								<b>471 8234-52</b> Valve	Electrovanne	1,2 1-way, 208-240V 50/60Hz, BSP											
		2	2	2									<b>471 8234-64</b> Valve	1,2 1-way, 208-240V 50/60Hz, NH USA USA									
	3	W640cc											<b>413 3088-07</b> Cable set	Jeu de câbles	3 Cold								
		1	1	1												<b>413 3088-07</b> Cable set	3 Cold						
	4															<b>413 3088-08</b> Cable set	Jeu de câbles	3 Cold					
		1																	<b>413 3082-21</b> Cable set	3 Cold			
			1	1															<b>413 3082-29</b> Cable set	3 Cold			
																			<b>413 3082-32</b> Cable set	3			
	5																		<b>413 3082-30</b> Cable set	Jeu de câbles	3 Hot		
		1																				<b>413 3082-30</b> Cable set	3 Hot
			1	1																		<b>413 3082-34</b> Cable set	3



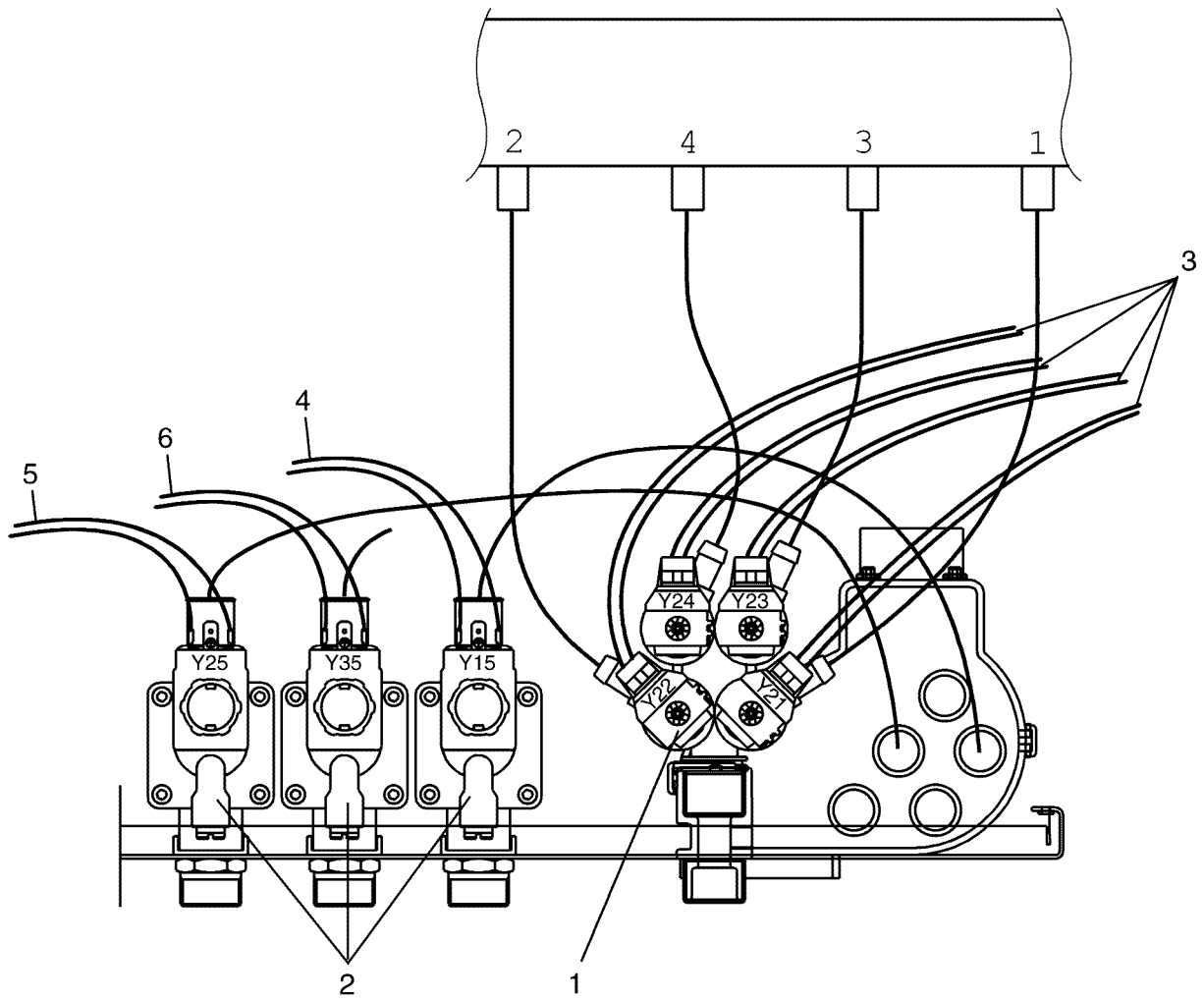
**W640cc,W655cc,W675cc**

**Inlet valves and cable set**

**Inlet valves and cable set**

Illustration Issue Month Year  
Schéma Issue Month Year  
**102383/1 3 11 2009**

Item Article	Quantity Quantité	Art.No Réf. article	Description	Description	Info Info	Notes Remarques					
<b>1</b>	W640cc		Valve	Electrovanne	1,2	4-way, 208-240V 50/60Hz, BSP					
	1	W655cc									
		1					W675cc				
							1	<b>471 8240-63</b>			
	1	<b>471 8240-69</b>					Valve	Electrovanne	1,2	4-way, 208-240V 50/60Hz, NH USA USA	
	<b>2</b>	2					<b>471 8210-70</b>	Valve	Electrovanne	1	208-240V 50/60Hz, BSP
		1					<b>471 8210-79</b>	•Coil	•Bobine	1,2	50/60 Hz
		2					<b>471 8210-71</b>	Valve	Electrovanne	1	208-240V 60Hz, NH USA USA
		1					<b>471 8210-78</b>	•Coil	•Bobine	1,2	60Hz
	<b>3</b>	1					<b>413 3088-08</b>	Cable set	Jeu de câbles	3	
		1					<b>413 3088-10</b>	Cable set	Jeu de câbles	3	
		1					<b>413 3088-10</b>	Cable set	Jeu de câbles	3	
<b>4</b>	1	<b>413 3182-09</b>	Cable set	Jeu de câbles	3						
	1	<b>413 3182-15</b>	Cable set	Jeu de câbles	3						
	1	<b>413 3182-15</b>	Cable set	Jeu de câbles	3						
<b>5</b>	1	<b>413 3182-10</b>	Cable set	Jeu de câbles	3						
	1	<b>413 3182-16</b>	Cable set	Jeu de câbles	3						
	1	<b>413 3182-16</b>	Cable set	Jeu de câbles	3						





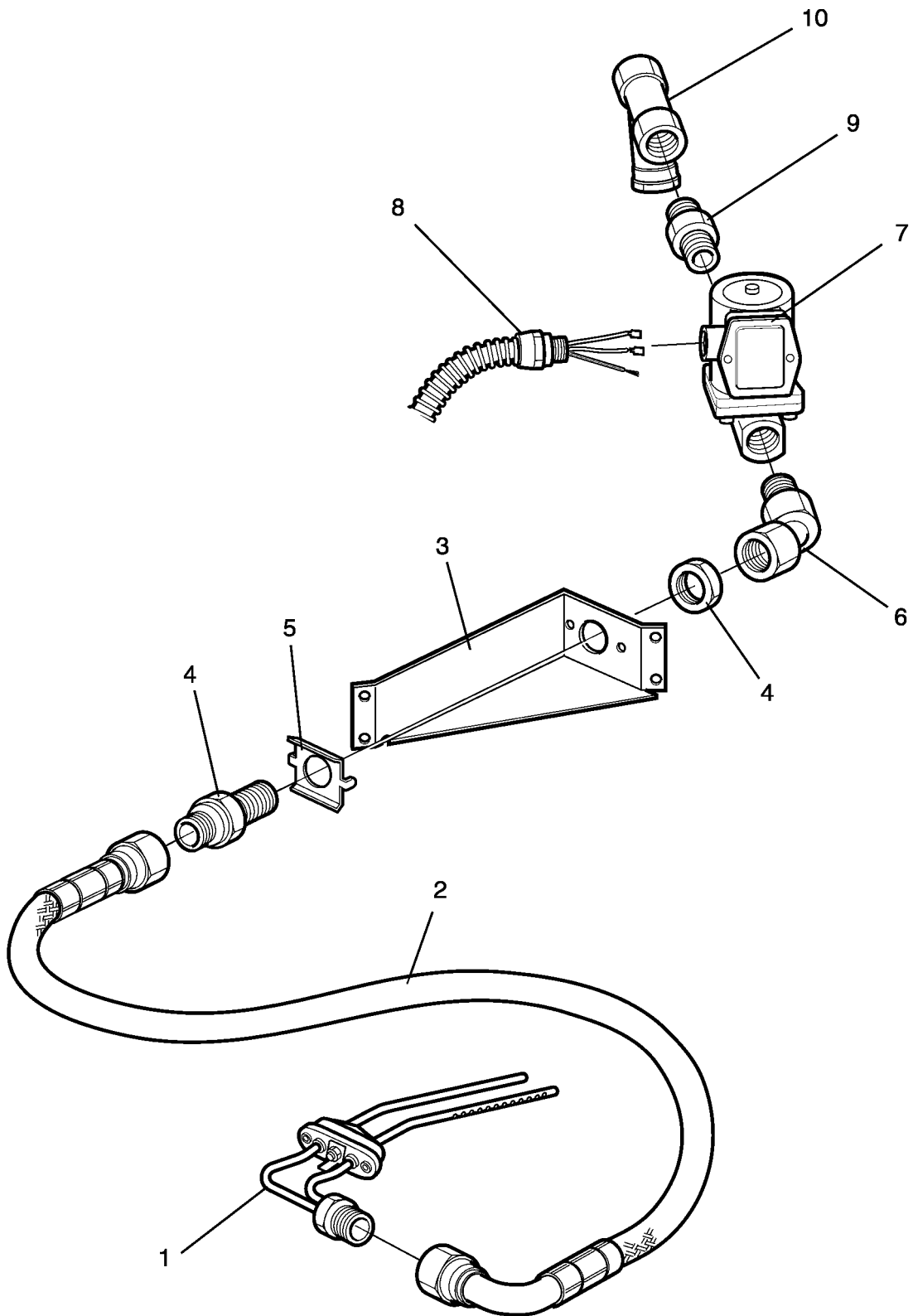
**W640cc,W655cc,W675cc**

**Inlet valves and cable set**

Illustration Issue Month Year  
Schéma Issue Month Year  
**102385/1 3 11 2009**

**Inlet valves and cable set**

Item Article	Quantity Quantité	Art.No Réf. article	Description	Description	Info Info	Notes Remarques
<b>1</b>	W640cc					
	W655cc					
	W675cc					
	1	1	<b>471 8240-63</b> Valve	Electrovanne	1,2	4-way, 208-240V 50/60Hz, BSP
	1	1	<b>471 8240-69</b> Valve	Electrovanne	1,2	4-way, 208-240V 50/60Hz, NH USA USA
<b>2</b>	3	3	<b>471 8210-70</b> Valve	Electrovanne	1	208-240V 50/60Hz, BSP
	1	1	<b>471 8210-79</b> •Coil	•Bobine	1,2	50/60 Hz
	3	3	<b>471 8210-71</b> Valve	Electrovanne	1	208-240V 60Hz, NH USA USA
<b>3</b>	1	1	<b>471 8210-78</b> •Coil	•Bobine	1,2	60Hz
	1		<b>413 3088-08</b> Cable set	Jeu de câbles	3	
		1	<b>413 3088-10</b> Cable set	Jeu de câbles	3	
<b>4</b>		1	<b>413 3088-10</b> Cable set	Jeu de câbles	3	
	1		<b>413 3182-09</b> Cable set	Jeu de câbles	3	
		1	<b>413 3182-15</b> Cable set	Jeu de câbles	3	
<b>5</b>		1	<b>413 3182-15</b> Cable set	Jeu de câbles	3	
	1		<b>413 3182-10</b> Cable set	Jeu de câbles	3	
		1	<b>413 3182-16</b> Cable set	Jeu de câbles	3	
<b>6</b>		1	<b>413 3182-16</b> Cable set	Jeu de câbles	3	
	1		<b>413 3182-11</b> Cable set	Jeu de câbles	3	
		1	<b>413 3182-14</b> Cable set	Jeu de câbles	3	
		1	<b>413 3182-17</b> Cable set	Jeu de câbles	3	



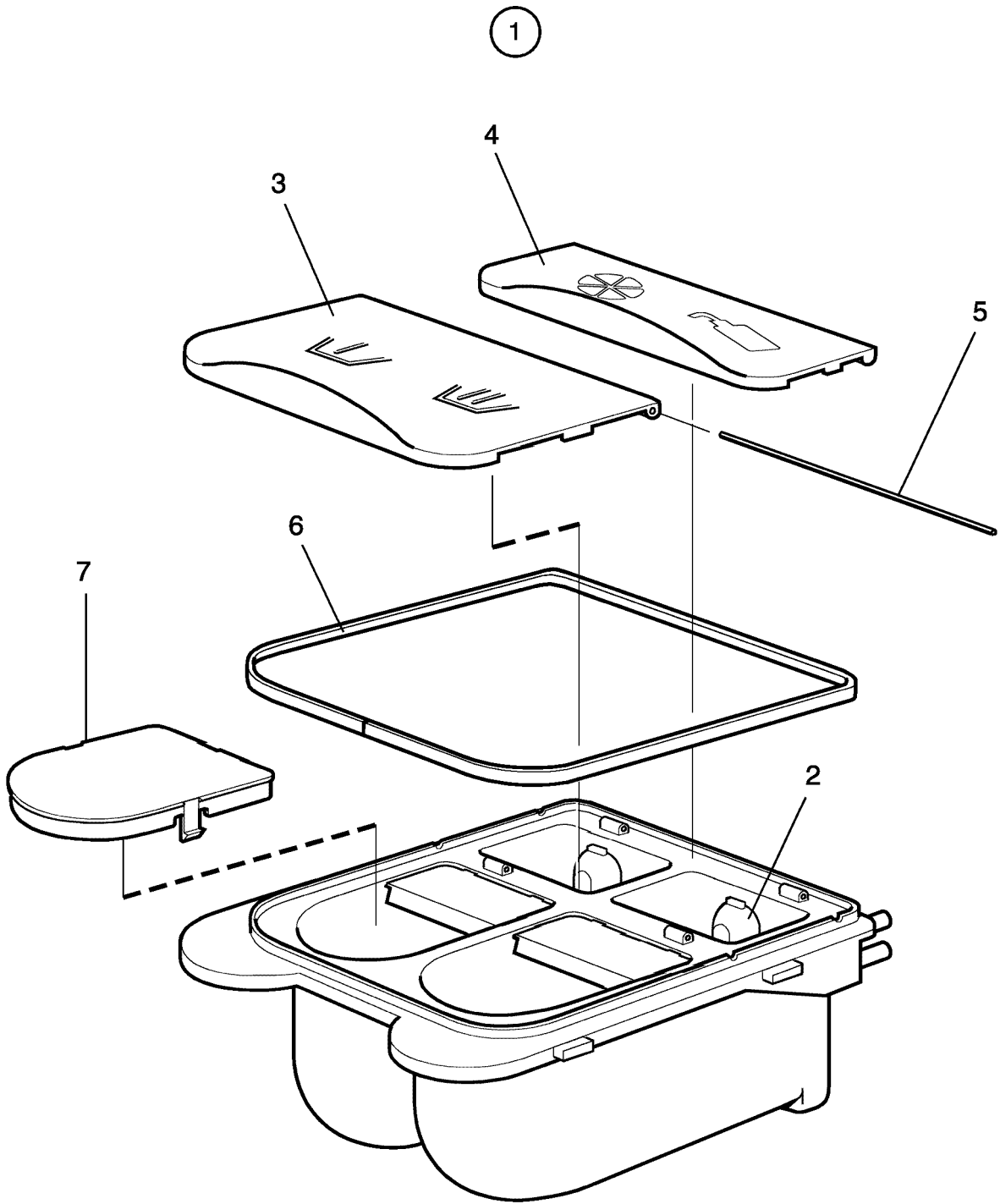
**W620cc,W625cc,W630cc,W640cc,W655cc,W675cc**

**Steam components**

Illustration Issue Month Year  
Schéma Issue Month Year  
**102501/1 1 1 2007**

**Composants**

Item Article	Quantity Quantité		Art.No Réf. article	Description	Description	Info Info	Notes Remarques
	W620cc						
	W625cc						
	W630cc						
	W640cc						
	W655cc						
	W675cc						
<b>1</b>	1	1	<b>432 1630-01</b>	Steam injector	Injecteur de vapeur	3	
			<b>432 1631-01</b>	Steam injector	Injecteur de vapeur	3	
<b>2</b>	1		<b>471 8126-25</b>	Steam hose	Tuyau flexible de vapeur	1	
		1	<b>471 8126-26</b>	Steam hose	Tuyau flexible de vapeur	1	
			<b>471 8126-27</b>	Steam hose	Tuyau flexible de vapeur	1	
			<b>471 8126-28</b>	Steam hose	Tuyau flexible de vapeur	1	
<b>3</b>	1	1	<b>432 1673-01</b>	Bracket	Pupitre	3	
<b>4</b>	1	1	<b>471 8695-01</b>	Nipple	Raccord	3	
<b>5</b>	1	1	<b>471 2937-01</b>	Bracket	Support	3	
<b>6</b>	1	1	<b>471 8697-01</b>	Adapter	Adaptateur	3	
<b>7</b>	1	1	<b>471 8279-03</b>	Valve	Electrovanne	1,2	50/60 Hz
	1	1	<b>471 8279-08</b>	•Repair kit	•Kit de réparation	1,2	
<b>8</b>	1	1	<b>432 3058-01</b>	Cable set	Jeu de câbles	3	
<b>9</b>	1	1	<b>471 8624-01</b>	Nipple	Raccord	3	
<b>10</b>	1	1	<b>744 3113-06</b>	Filter	Filtre	3	1/2"



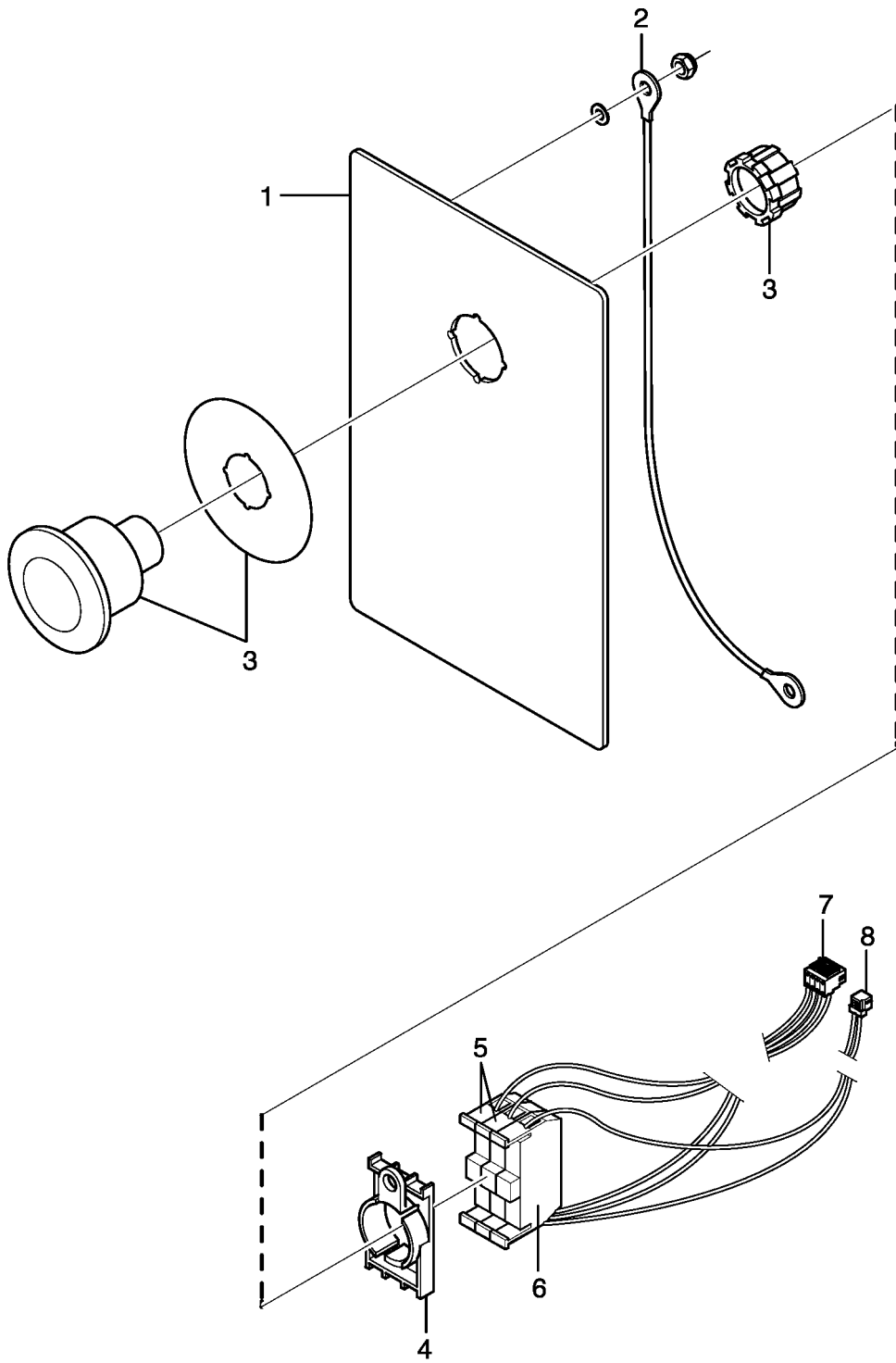
**W620cc,W625cc,W630cc,W640cc,W655cc,W675cc**

**Detergent container**

**Compartment à savon**

Illustration Issue Month Year  
Schéma Issue Month Year  
**102344/1 1 5 2006**

Item Article	Qua. Qua.	Art.No Réf. article	Description	Description	Info Info	Notes Remarques
<b>1</b>	1	<b>432 2401-01</b>	Detergent container	Compartment à savon	1,2	
<b>2</b>	2	<b>432 2404-01</b>	•Siphon	•Siphon	1,2	
<b>3</b>	1	<b>432 2405-01</b>	•Cover	•Couvercle	1,2	
<b>4</b>	1	<b>432 2406-01</b>	•Cover	•Couvercle	1,2	
<b>5</b>	2	<b>432 2407-01</b>	•Shaft	•Arbre	3	
<b>6</b>	1	<b>438 8103-01</b>	•Seal	•Joint	1,2	
<b>7</b>	1	<b>432 2409-01</b>	Cover	Couvercle	3	



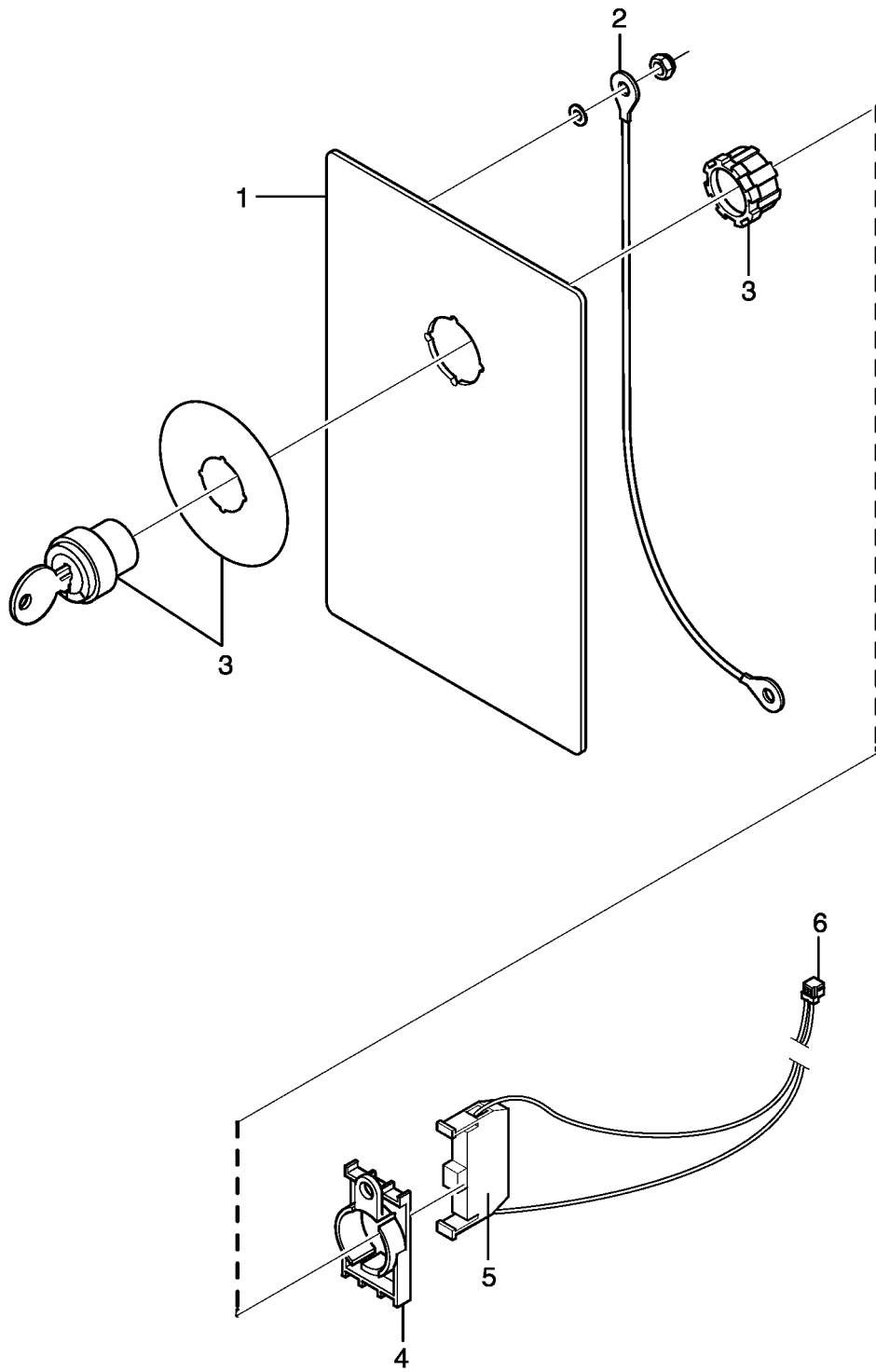
**W620cc,W625cc,W630cc,W640cc,W655cc,W675cc**

**Emergency stop**

**Arrêt d'urgence**

Illustration	Issue	Month	Year
Schéma	Issue	Month	Year
<b>102596</b>	<b>1</b>	<b>1</b>	<b>2009</b>

Item Article	Qua. Qua.	Art.No Réf. article	Description	Description	Info Info	Notes Remarques
<b>1</b>	1	<b>432 2150-12</b>	Cover plate	Plaque recouvrement	3	
<b>2</b>	1	<b>432 2982-20</b>	Cable set	Jeu de câbles	3	
<b>3</b>	1	<b>471 9628-32</b>	Emergency stop	Arrêt d'urgence	1	
<b>4</b>	1	<b>471 9628-75</b>	Bracket	Pièce de retenue	1	
<b>5</b>	2	<b>471 9628-70</b>	Socket	Bloc de connexion	1	NC Red
<b>6</b>	1	<b>471 9628-71</b>	Socket	Bloc de connexion	1	NO Green
<b>7</b>	1	<b>413 3184-16</b>	Cable set	Jeu de câbles	3	
<b>8</b>	1	<b>413 3272-19</b>	Cable set	Jeu de câbles	3	





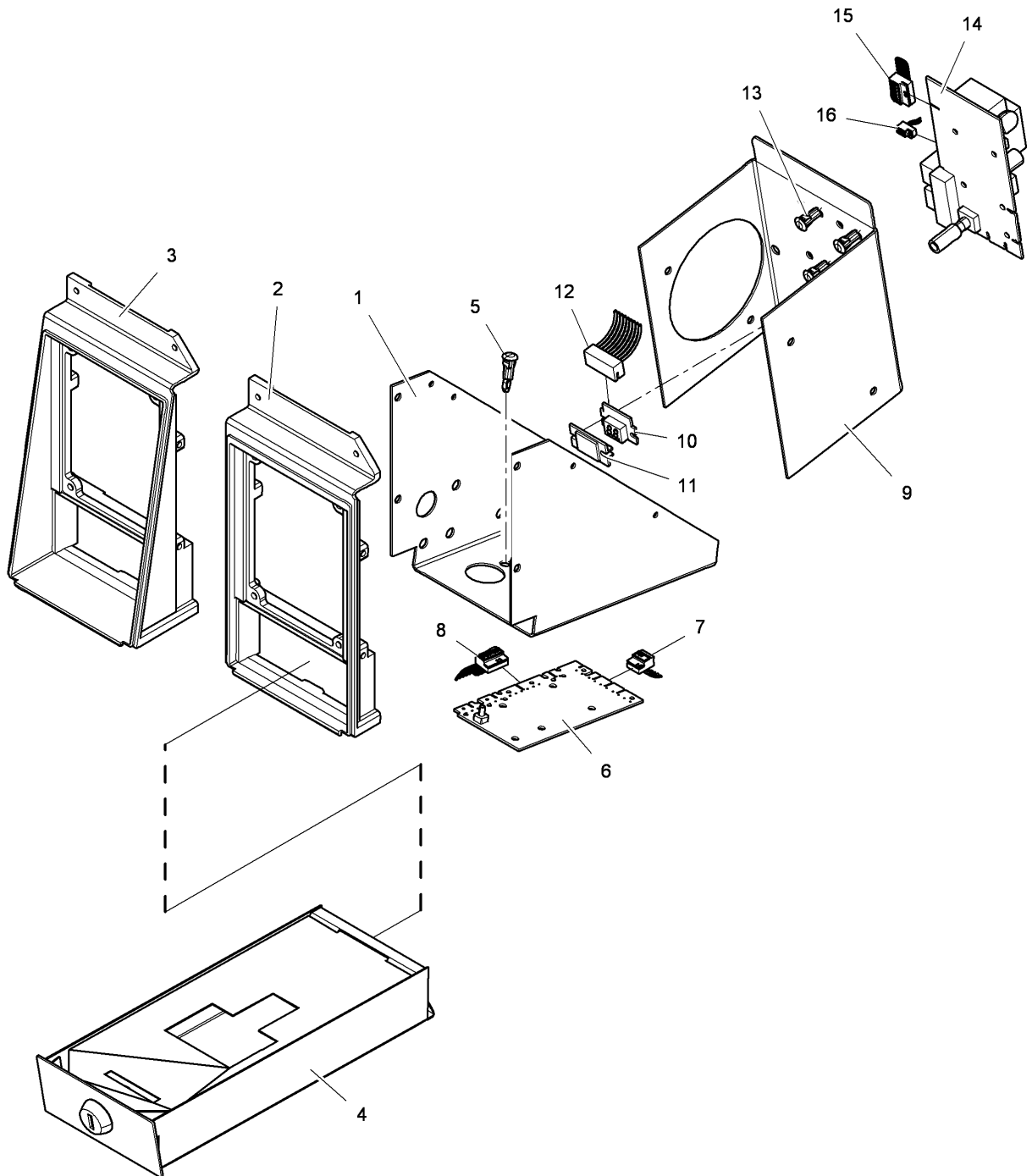
**W620cc,W625cc,W630cc,W640cc,W655cc,W675cc**

**Key switch**

Illustration	Issue	Month	Year
Schéma	Issue	Month	Year
<b>102663</b>	<b>1</b>	<b>3</b>	<b>2009</b>

**Commutateur à touche**

Item Article	Qua. Qua.	Art.No Réf. article	Description	Description	Info Info	Notes Remarques
<b>1</b>	1	<b>432 2150-12</b>	Cover plate	Plaque recouvrement	3	
<b>2</b>	1	<b>432 2982-20</b>	Cable set	Jeu de câbles	3	
<b>3</b>	1	<b>471 9628-85</b>	Key switch	Commutateur à touche	1	
<b>4</b>	1	<b>471 9628-75</b>	Bracket	Pièce de retenue	1	
<b>5</b>	1	<b>471 9628-71</b>	Socket	Bloc de connexion	1	NO Green
<b>6</b>	1	<b>413 3272-21</b>	Cable set	Jeu de câbles	3	



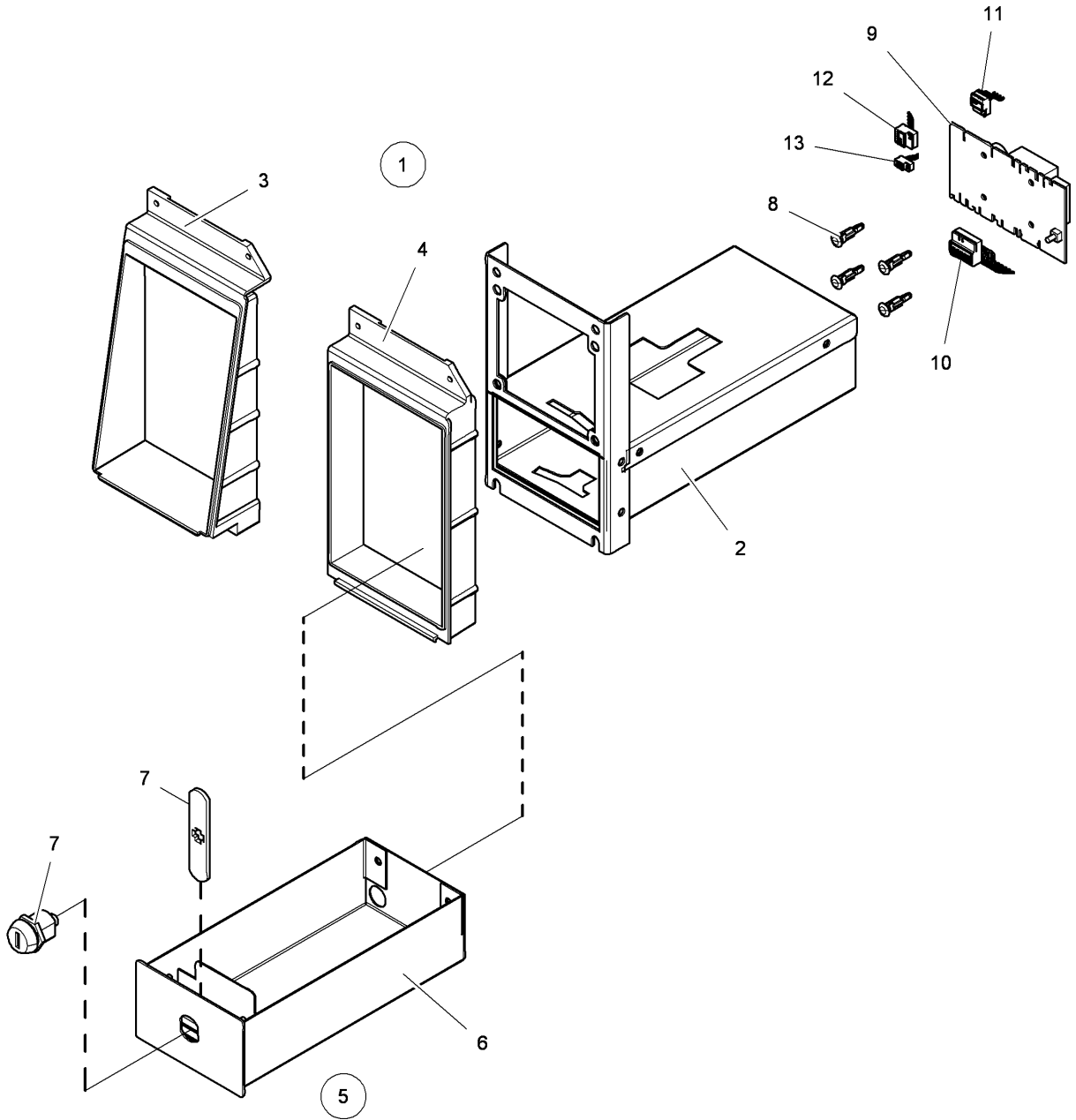
**W620cc,W625cc,W630cc,W640cc,W655cc,W675cc**

**Coin box**

**Boîtier à jetons**

Illustration Issue Month Year  
Schéma Issue Month Year  
**500115 1 10 2009**

Item Article	Qua. Qua.	Art.No Réf. article	Description	Description	Info Info	Notes Remarques
<b>1</b>	1	<b>432 2185-02</b>	Bracket	Pupitre	3	
<b>2</b>	1	<b>432 2174-12</b>	Frame	Châssis	3	
<b>3</b>	1	<b>432 2175-12</b>	Frame	Châssis	3	
<b>4</b>	1	<b>432 2203-21</b>	Coin box	Boîtier à jetons	3	Complete
	1	<b>432 2203-22</b>	Coin box	Boîtier à jetons	3	Japan Complete
<b>5</b>	4	<b>471 7958-02</b>	Support	Support	3	
<b>6</b>	1	<b>438 8790-01</b>	Printed circuit board	Carte circuit	1,2	PW9
	1	<b>438 8775-01</b>	Printed circuit board	Carte circuit	1,2	
	1	<b>438 8775-02</b>	Printed circuit board	Carte circuit	1,2	230V Blocking Electronic coin meter
	1	<b>438 8775-05</b>	Printed circuit board	Carte circuit	1,2	9V Blocking Electronic coin meter
<b>7</b>	1	<b>432 3094-01</b>	Cable set	Jeu de câbles	3	PW9
<b>8</b>	1	<b>413 3276-01</b>	Cable set	Jeu de câbles	3	6-pole
<b>9</b>	1	<b>432 2300-01</b>	Bracket	Pupitre	3	Classic Control
<b>10</b>	1	<b>438 8778-12</b>	Printed circuit board	Carte circuit	1,2	Classic Control
<b>11</b>	1	<b>438 8921-90</b>	Display	Affichage	1,2	Classic Control
<b>12</b>	1	<b>413 3279-01</b>	Cable set	Jeu de câbles	3	9-POLE Classic Control
<b>13</b>	5	<b>471 7960-02</b>	Support	Support	3	Classic Control
<b>14</b>	1	<b>438 8778-01</b>	Coin counter	Compteur	1,2	230V Classic Control
	1	<b>438 8778-02</b>	Coin counter	Compteur	1,2	120V Classic Control
<b>15</b>	1	<b>432 3096-15</b>	Cable set	Jeu de câbles	3	Classic Control
<b>16</b>	1	<b>432 3192-71</b>	Cable set	Jeu de câbles	3	2-pole Classic Control



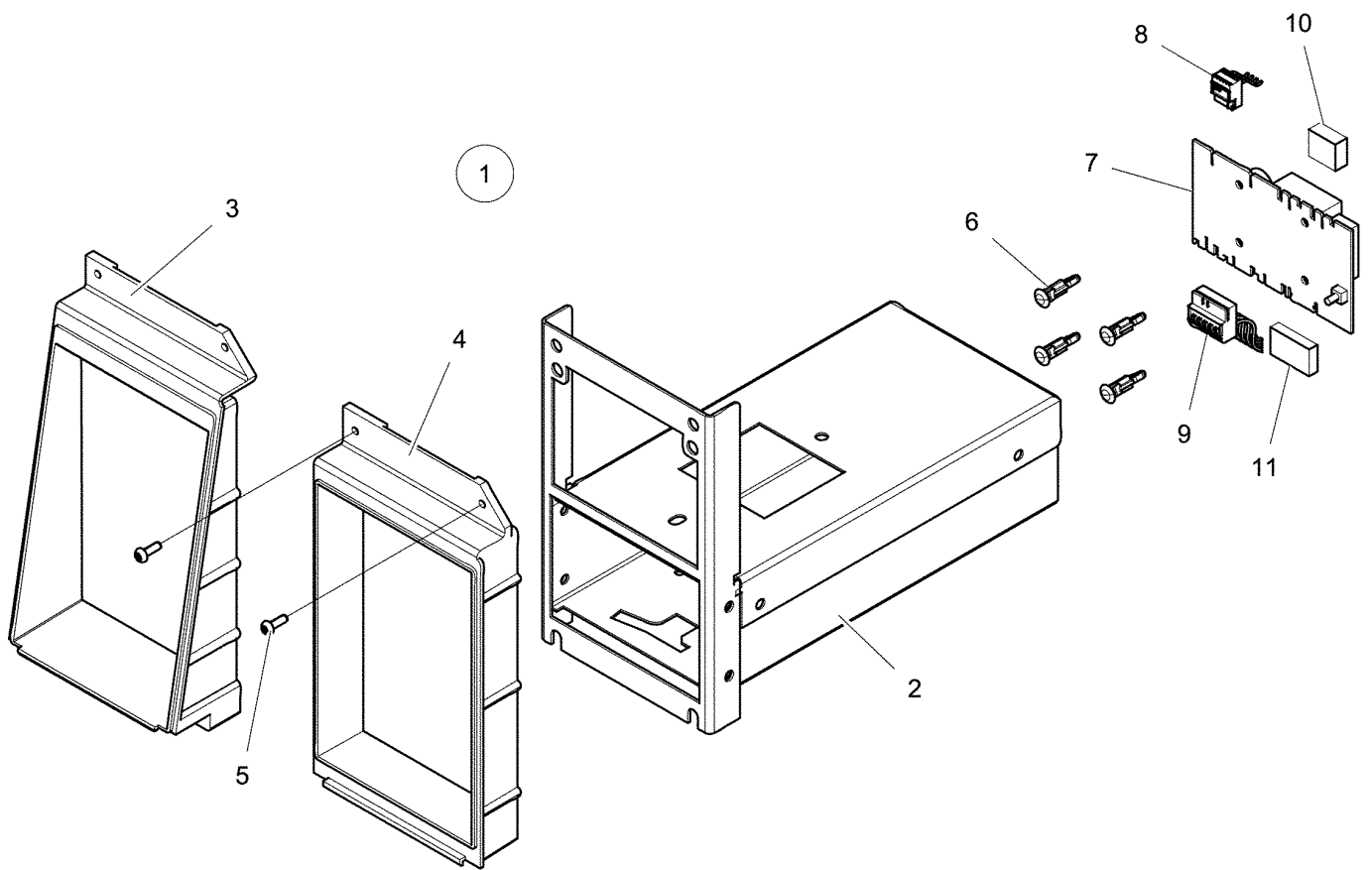
**W620cc,W625cc,W630cc,W640cc,W655cc,W675cc**

**Coin box**

**Boîtier à jetons**

Illustration Issue Month Year  
Schéma Issue Month Year  
**500109 1 10 2009**

Item Article	Qua. Qua.	Art.No Réf. article	Description	Description	Info Info	Notes Remarques
<b>1</b>	1	<b>432 2234-12</b>	Coin box	Boîtier à jetons	3	Complete Slanted panel
	1	<b>432 2234-02</b>	Coin box	Boîtier à jetons	3	Complete Vertical panel
<b>2</b>	1	<b>432 2231-02</b>	•Coin box	•Boîtier à jetons	3	
<b>3</b>	1	<b>432 2268-01</b>	•Frame	•Châssis	3	
<b>4</b>	1	<b>432 2173-02</b>	•Frame	•Châssis	3	
<b>5</b>	1	<b>432 2233-01</b>	Coin box	Boîtier à jetons	3	Complete Random key
	1	<b>432 2233-02</b>	Coin box	Boîtier à jetons	3	Complete Key 46080
	1	<b>432 2233-03</b>	Coin box	Boîtier à jetons	3	Complete Key 46199
	1	<b>432 2233-04</b>	Coin box	Boîtier à jetons	3	Complete Key 46819
<b>6</b>	1	<b>432 2232-01</b>	•Coin box	•Boîtier à jetons	3	
<b>7</b>	1	<b>472 9919-30</b>	•Lock	•Serrure	3	Random key
	1	<b>472 9919-31</b>	•Lock	•Serrure	3	Key 46080
	1	<b>472 9919-32</b>	•Lock	•Serrure	3	Key 46199
	1	<b>472 9919-33</b>	•Lock	•Serrure	3	Key 46819
<b>8</b>	4	<b>471 7960-02</b>	Support	Support	3	
<b>9</b>	1	<b>438 8775-01</b>	Printed circuit board	Carte circuit	3	
	1	<b>438 8775-05</b>	Printed circuit board	Carte circuit	3	9V Blocking Electronic coin meter Electronic coin meter
	1	<b>438 8790-03</b>	Printed circuit board	Carte circuit	3	PW 9
<b>10</b>	1	<b>413 3276-01</b>	Cable set	Jeu de câbles	3	6-pole
	1	<b>432 3096-15</b>	Cable set	Jeu de câbles	3	PW 9
<b>11</b>	1	<b>413 3084-09</b>	Cable set	Jeu de câbles	3	4-pole
<b>12</b>	1	<b>432 3094-01</b>	Cable set	Jeu de câbles	3	PW9
<b>13</b>	1	<b>432 3092-10</b>	Cable set	Jeu de câbles	3	2-pole PW 9



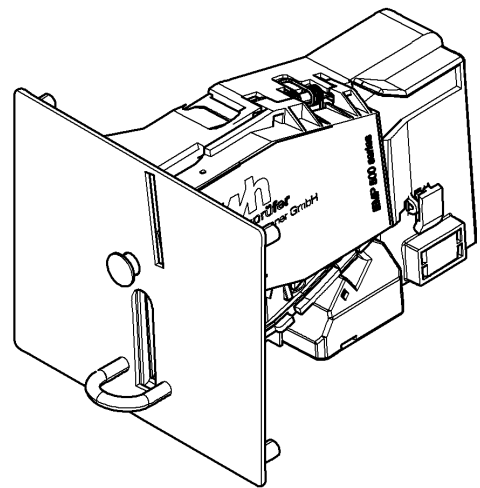
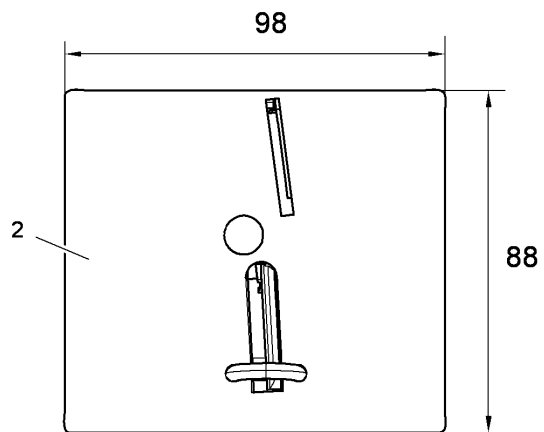
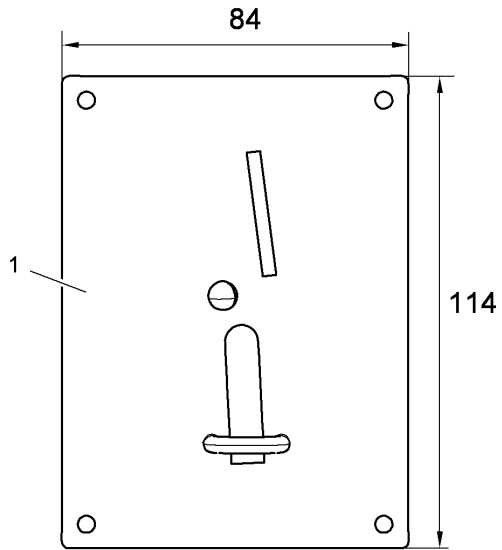
**W620cc,W625cc,W630cc,W640cc,W655cc,W675cc**

**Coinbox USA**

**Boîtier à jetons USA**

Illustration Issue Month Year  
Schéma Issue Month Year  
**500110 2 1 2011**

Item Article	Qua. Qua.	Art.No Réf. article	Description	Description	Info Info	Notes Remarques
<b>1</b>	1	<b>432 2234-32</b>	Coin box	Boîtier à jetons	3	Complete Slanted panel
	1	<b>432 2234-22</b>	Coin box	Boîtier à jetons	3	Complete Vertical panel
<b>2</b>	1	<b>432 2231-11</b>	•Coin box	•Boîtier à jetons	3	
<b>3</b>	1	<b>432 2268-01</b>	•Frame	•Châssis	3	
<b>4</b>	1	<b>432 2173-02</b>	•Frame	•Châssis	3	
* <b>5</b>	2	<b>471 8376-01</b>	•Screw	•Vis	1,2	M4X12
* <b>6</b>	1	<b>471 8376-99</b>	Tool	Outil	3	Tool for 471837601
* <b>7</b>	4	<b>471 7960-02</b>	Support	Support	3	
* <b>8</b>	1	<b>438 8775-01</b>	Printed circuit board	Carte circuit	1,2	
* <b>9</b>	1	<b>413 3084-09</b>	Cable set	Jeu de câbles	3	4-pole
* <b>10</b>	1	<b>413 3276-01</b>	Cable set	Jeu de câbles	3	6-pole
* <b>11</b>	1	<b>438 8701-04</b>	Frame	Châssis	3	2-pole
* <b>11</b>	1	<b>438 8701-03</b>	Multistik	Multi-grippe	3	2-pole
* <b>11</b>	1	<b>438 8701-02</b>	Frame	Châssis	3	3-pole
* <b>11</b>	1	<b>438 8701-01</b>	Multistik	Multi-grippe	3	3-pole





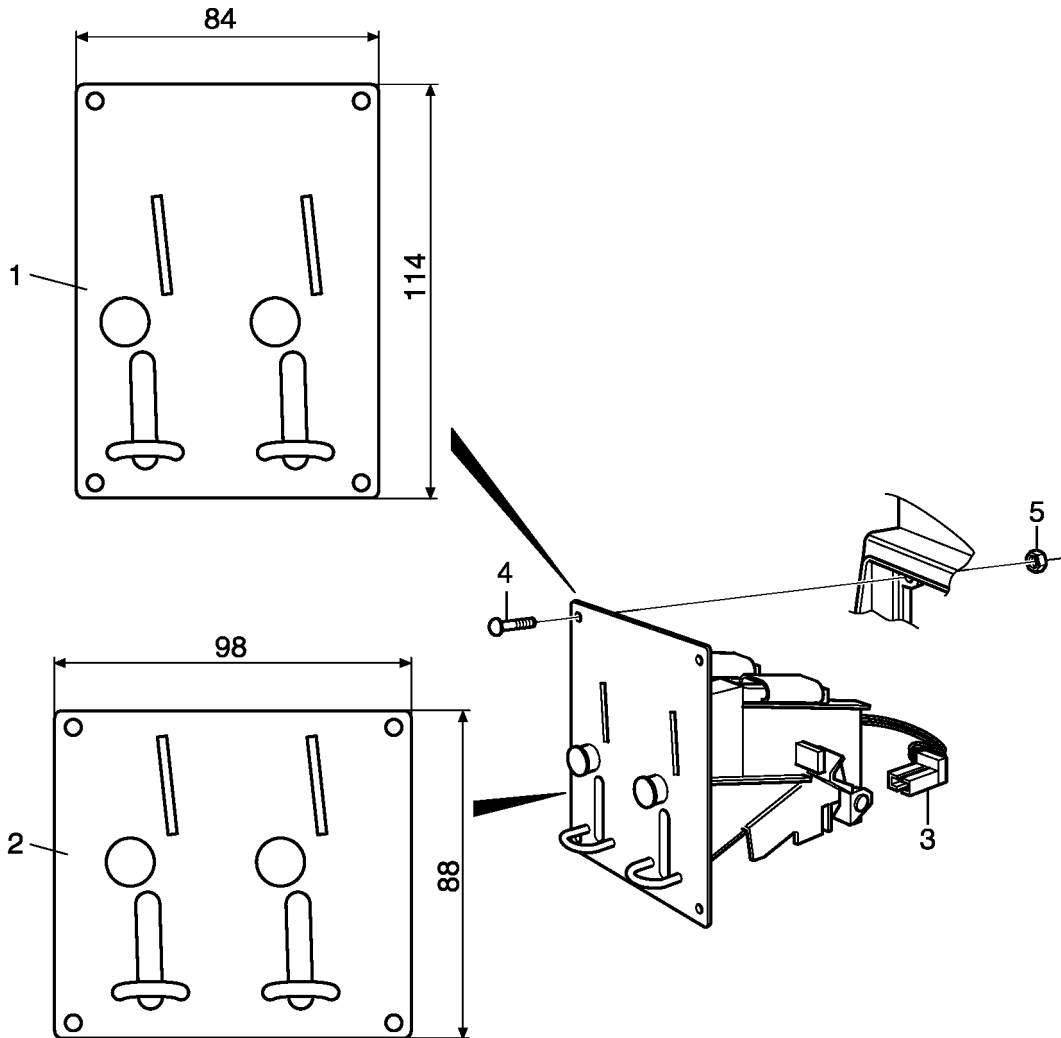
**W620cc,W625cc,W630cc,W640cc,W655cc,W675cc**

**Electronic coin meter**

**Monnayeur électronique**

Illustration	Issue	Month	Year
Schéma	Issue	Month	Year
<b>500114</b>	<b>4</b>	<b>5</b>	<b>2010</b>

Item Article	Qua. Qua.	Art.No Réf. article	Description	Description	Info Info	Notes Remarques
<b>1</b>	1	<b>438 8920-01</b>	Coin meter	Monnayeur	3	2 Coins, 100+500 JPY 230V Blocking
	1	<b>438 8920-11</b>	Coin meter	Monnayeur	3	2 Coins, 100+500 JPY 9V Blocking
<b>2</b>	1	<b>438 8920-02</b>	Coin meter	Monnayeur	3	2 Coins, 0,5+1 NZD
	1	<b>438 8930-01</b>	Coin meter	Monnayeur	3	JPY+WON
	1	<b>438 8930-02</b>	Coin meter	Monnayeur	3	NZD+AUD
	1	<b>438 8930-03</b>	Coin meter	Monnayeur	3	EUR+DKK+NOK
	1	<b>438 8930-04</b>	Coin meter	Monnayeur	3	EUR+SEK
	1	<b>438 8930-05</b>	Coin meter	Monnayeur	3	HKD+TWD
	1	<b>438 8930-06</b>	Coin meter	Monnayeur	3	MOP+MYR+SGD
	1	<b>438 8930-07</b>	Coin meter	Monnayeur	3	CHF+CZK+LTL
	1	<b>438 8930-08</b>	Coin meter	Monnayeur	3	AED+ZAR+ILS
	1	<b>438 8930-09</b>	Coin meter	Monnayeur	3	GBP+EUR
	1	<b>438 8930-10</b>	Coin meter	Monnayeur	3	PLN+EUR
1	<b>438 8930-11</b>	Coin meter	Monnayeur	3	EUR+Tokens	



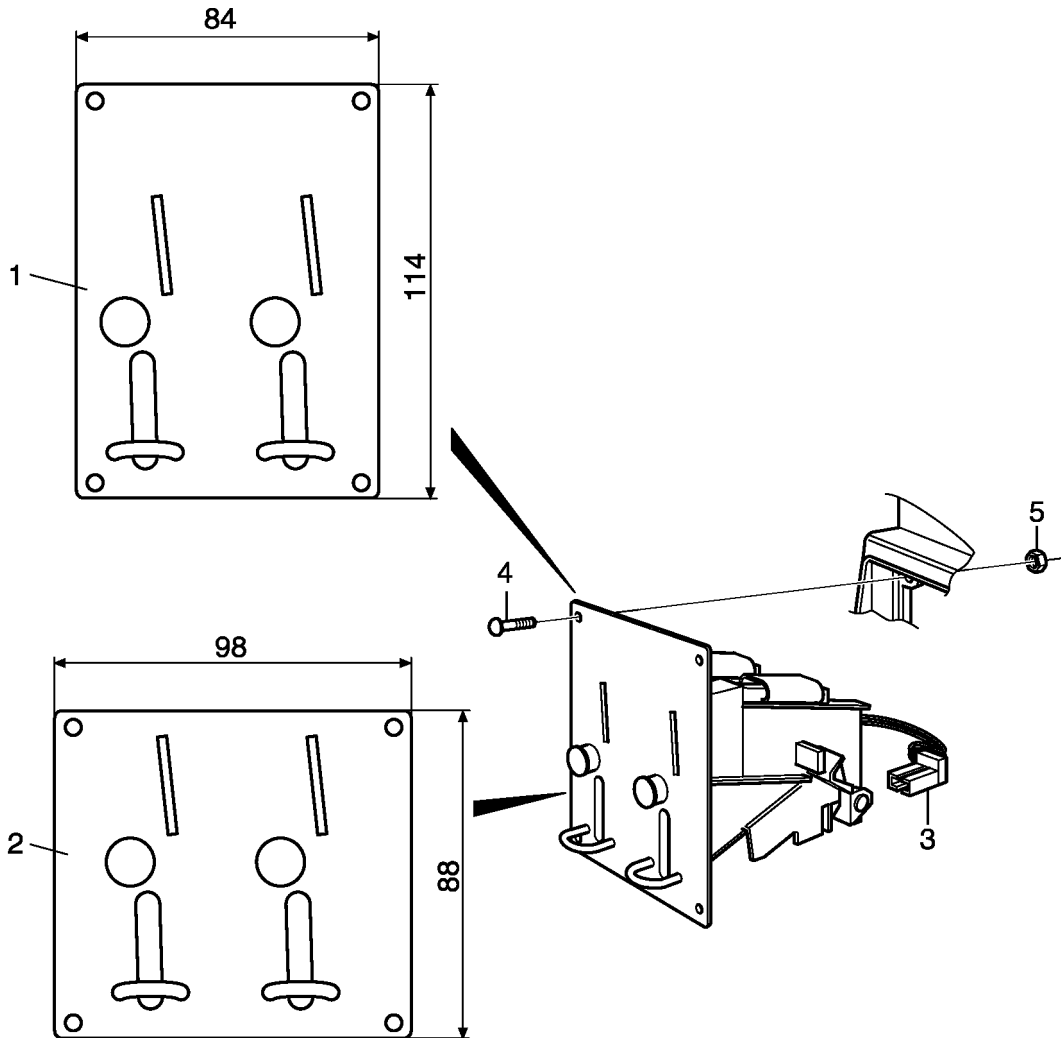
**W620cc,W625cc,W630cc,W640cc,W655cc,W675cc**

**Coin meter**

Illustration Issue Month Year  
Schéma Issue Month Year  
**102672 4 4 2010**

**Monnayeur**

Item Article	Qua. Qua.	Art.No Réf. article	Description	Description	Info Info	Notes Remarques
<b>1</b>	1	<b>438 8923-01</b>	Coin meter	Monnayeur	3	1 Coin, 0,25 USD
	1	<b>438 8923-03</b>	Coin meter	Monnayeur	3	1 Coin, 100 JPY
	1	<b>438 8923-04</b>	Coin meter	Monnayeur	3	2 Coins, 0,5+1 EUR
	1	<b>438 8923-05</b>	Coin meter	Monnayeur	3	2 Coins, 0,2 + 1 GBP
	1	<b>438 8923-06</b>	Coin meter	Monnayeur	3	2 Coins, 1+5 DKK
	1	<b>438 8923-07</b>	Coin meter	Monnayeur	3	2 Coins, 10+50 TWD
	1	<b>438 8923-09</b>	Coin meter	Monnayeur	3	2 Coins, 1+10 DKK
	1	<b>438 8923-10</b>	Coin meter	Monnayeur	3	2 Coins, 2+5 DKK
	1	<b>438 8923-11</b>	Coin meter	Monnayeur	3	2 Coins, 2+10 DKK
	1	<b>438 8923-12</b>	Coin meter	Monnayeur	3	2 Coins, 5+10 DKK
	1	<b>438 8923-13</b>	Coin meter	Monnayeur	3	2 Coins, 1+5 NOK
	1	<b>438 8923-14</b>	Coin meter	Monnayeur	3	2 Coins, 1+10 NOK
	1	<b>438 8923-15</b>	Coin meter	Monnayeur	3	2 Coins, 5+10 NOK
	1	<b>438 8923-16</b>	Coin meter	Monnayeur	3	2 Coins, 10+20 NOK
	1	<b>438 8923-20</b>	Coin meter	Monnayeur	3	2 Coins, 1+5 HKD
	1	<b>438 8923-22</b>	Coin meter	Monnayeur	3	2 Coins, 0,2+1 AUD
	1	<b>438 8924-04</b>	Coin meter	Monnayeur	3	2 Coins, 1+1 AUD
	1	<b>438 8923-23</b>	Coin meter	Monnayeur	3	2 Coins, 0,1+0,5 EUR
	1	<b>438 8923-25</b>	Coin meter	Monnayeur	3	2 Coins, 0,2+1 EUR
	1	<b>438 8923-26</b>	Coin meter	Monnayeur	3	2 Coins, 1+2 EUR
	1	<b>438 8923-27</b>	Coin meter	Monnayeur	3	2 Coins, 0,2+2 EUR
	1	<b>438 8923-29</b>	Coin meter	Monnayeur	3	TOKEN MENCH Ø25,78x2,34
	1	<b>438 8923-31</b>	Coin meter	Monnayeur	3	1 Coin, 1 AED
	1	<b>438 8923-32</b>	Coin meter	Monnayeur	3	1 Coin, 1 AUD
	1	<b>438 8923-35</b>	Coin meter	Monnayeur	3	1 Coin, 2 DKK
	1	<b>438 8923-36</b>	Coin meter	Monnayeur	3	1 Coin, 10 DKK
	1	<b>438 8923-37</b>	Coin meter	Monnayeur	3	1 Coin, 0,1 EUR
	1	<b>438 8923-38</b>	Coin meter	Monnayeur	3	1 Coin, 0,2 EUR
	1	<b>438 8923-39</b>	Coin meter	Monnayeur	3	1 Coin, 0,5 EUR
	1	<b>438 8923-40</b>	Coin meter	Monnayeur	3	1 Coin, 1 EUR
	1	<b>438 8923-42</b>	Coin meter	Monnayeur	3	1 Coin, 1 MACAUDOLLAR
	1	<b>438 8923-43</b>	Coin meter	Monnayeur	3	1 Coin, 5 HKD
	1	<b>438 8923-45</b>	Coin meter	Monnayeur	3	1 Coin, 500 WON
	1	<b>438 8923-48</b>	Coin meter	Monnayeur	3	1 Coin, 1 SEK
	1	<b>438 8923-49</b>	Coin meter	Monnayeur	3	1 Coin, 5 SEK
	1	<b>438 8923-52</b>	Coin meter	Monnayeur	3	1 Coin, 1 SGD
	1	<b>438 8923-53</b>	Coin meter	Monnayeur	3	1 Coin, 10 TWD
	1	<b>438 8923-55</b>	Coin meter	Monnayeur	3	1 Coin, 1 NOK
	1	<b>438 8923-57</b>	Coin meter	Monnayeur	3	1 Coin, 10 NOK
	1	<b>438 8923-59</b>	Coin meter	Monnayeur	3	TOKEN 25,7x1,6
	1	<b>438 8923-60</b>	Coin meter	Monnayeur	3	TOKEN 26,0x2,1
	1	<b>438 8923-68</b>	Coin meter	Monnayeur	3	TOKEN 26,3x1,9
	1	<b>438 8923-76</b>	Coin meter	Monnayeur	3	TOKEN 25,0x2,0
	1	<b>438 8923-78</b>	Coin meter	Monnayeur	3	TOKEN 23,5x1,7
	1	<b>438 8923-79</b>	Coin meter	Monnayeur	3	TOKEN 25,8x1,7
	1	<b>438 8923-81</b>	Coin meter	Monnayeur	3	TOKEN 27,4x1,6
	1	<b>438 8923-82</b>	Coin meter	Monnayeur	3	TOKEN 25,0x1,8
	1	<b>438 8923-83</b>	Coin meter	Monnayeur	3	TOKEN 24,3x1,5
	1	<b>438 8923-85</b>	Coin meter	Monnayeur	3	TOKEN 22,5x1,5
	1	<b>438 8923-86</b>	Coin meter	Monnayeur	3	TOKEN 27,0x1,6
	1	<b>438 8923-87</b>	Coin meter	Monnayeur	3	TOKEN 24,3x1,5
	1	<b>438 8923-88</b>	Coin meter	Monnayeur	3	TOKEN 23,7x1,6
	1	<b>438 8923-89</b>	Coin meter	Monnayeur	3	TOKEN 19,0x1,0
	1	<b>438 8923-90</b>	Coin meter	Monnayeur	3	TOKEN 19,0x1,5
	1	<b>438 8923-91</b>	Coin meter	Monnayeur	3	TOKEN 22,35x1,6
	1	<b>438 8923-94</b>	Coin meter	Monnayeur	3	TOKEN MIELE
	1	<b>438 8923-95</b>	Coin meter	Monnayeur	3	1 Coin, 5 DKK
	1	<b>438 8923-96</b>	Coin meter	Monnayeur	3	2 Coins, 1+2 AUD
	1	<b>438 8924-05</b>	Coin meter	Monnayeur	3	2 Coins, 2+2 AUD



**W620cc,W625cc,W630cc,W640cc,W655cc,W675cc**

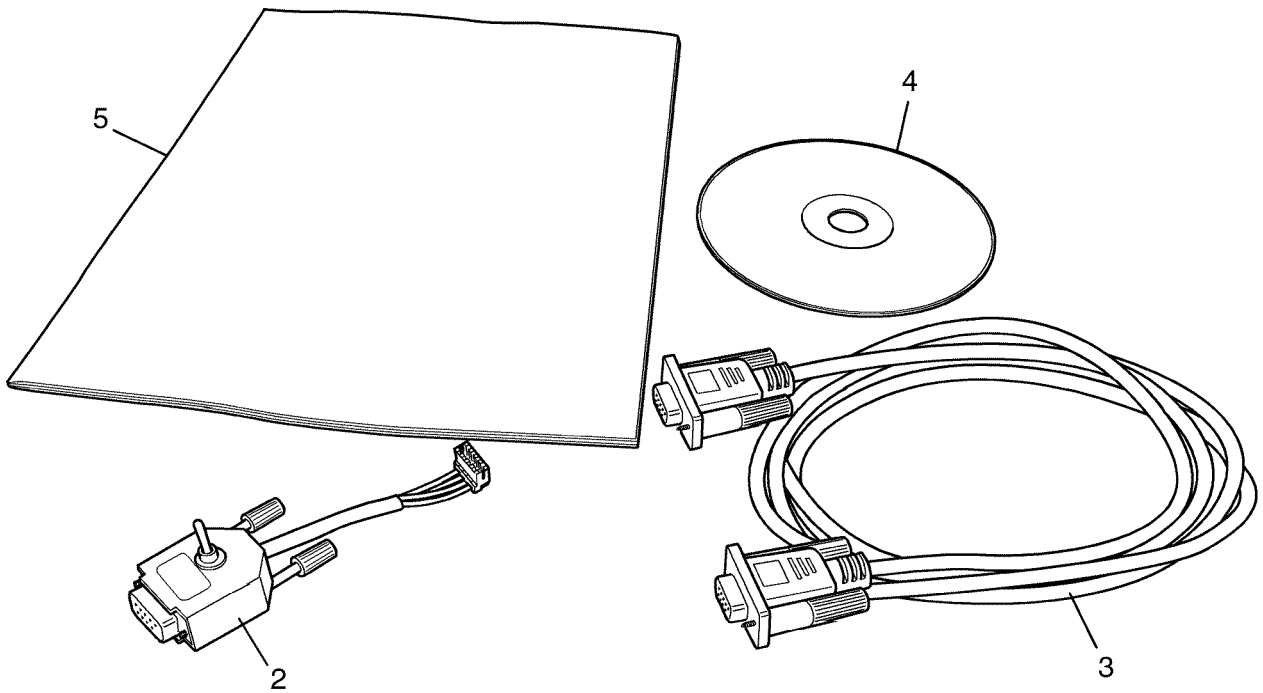
**Coin meter**

**Monnayeur**

Illustration Issue Month Year  
Schéma Issue Month Year  
**102672 4 4 2010**

Item Article	Qua. Qua.	Art.No Réf. article	Description	Description	Info Info	Notes Remarques
* 2	1	438 8923-97	Coin meter	Monnayeur	3	1 Coin, 2 EUR
	1	438 8923-98	Coin meter	Monnayeur	3	TOKEN 32,0x2,0
	1	438 8924-01	Coin meter	Monnayeur	3	2 Coins, 1+5 LTL
	1	438 8924-03	Coin meter	Monnayeur	3	2 Coins, 1+2 CHF
	1	438 8931-40	Coin meter	Monnayeur	3	1 Coin, 1 EUR
	1	438 8931-59	Coin meter	Monnayeur	3	TOKEN 25,7x1,6
	1	438 8931-60	Coin meter	Monnayeur	3	TOKEN 26,0x2,1
	1	438 8931-76	Coin meter	Monnayeur	3	TOKEN 25,0x2,0
	1	438 8931-78	Coin meter	Monnayeur	3	TOKEN 23,5x1,7
	1	438 8931-79	Coin meter	Monnayeur	3	TOKEN 25,8x1,7
	1	438 8931-81	Coin meter	Monnayeur	3	TOKEN 27,4x1,6
	1	438 8931-82	Coin meter	Monnayeur	3	TOKEN 25,0x1,8
	1	438 8931-85	Coin meter	Monnayeur	3	TOKEN 22,5x1,5
	1	438 8931-86	Coin meter	Monnayeur	3	TOKEN 27,0x1,6
	1	438 8931-87	Coin meter	Monnayeur	3	TOKEN 24,3x1,5
	1	438 8931-88	Coin meter	Monnayeur	3	TOKEN 23,7x1,6
	1	438 8931-89	Coin meter	Monnayeur	3	TOKEN 19,0x1,0
	1	438 8931-90	Coin meter	Monnayeur	3	TOKEN 19,0x1,5
	1	438 8931-91	Coin meter	Monnayeur	3	TOKEN 22,35x1,6
	1	438 8932-04	Coin meter	Monnayeur	3	2 Coins, 0,5+1 EUR
1	438 8932-25	Coin meter	Monnayeur	3	2 Coins, 0,2+1 EUR	
1	438 8932-27	Coin meter	Monnayeur	3	2 Coins, 0,2+2 EUR	
1	438 8932-05	Coin meter	Monnayeur	3	2 Coins, 0,2+1 GBP	
1	438 8932-06	Coin meter	Monnayeur	3	2 Coins, 1+5 DKK	
1	438 8932-07	Coin meter	Monnayeur	3	2 Coins, 10+50 TWD	
1	438 8932-32	Coin meter	Monnayeur	3	2 Coins, 1+1 AUD	
3	Rq	438 8924-99	•Sensor	•Décteur	1,2	
4	4	471 8910-90	Screw	Vis	3	
5	4	731 2312-01	Nut	Écrou	3	M4

1



**W620cc,W625cc,W630cc,W640cc,W655cc,W675cc**

**Compass control loader**

Illustration	Issue	Month	Year
Schéma	Issue	Month	Year
<b>102486/1</b>	<b>1</b>	<b>12</b>	<b>2006</b>

**Compass control loader**

Item Article	Qua. Qua.	Art.No Réf. article	Description	Description	Info Info	Notes Remarques
<b>1</b>	1		Compass control loader	Compass control loader	3	Complete
<b>2</b>	1	<b>413 2934-01</b>	•Cable	•Câble	3	
<b>3</b>	1	<b>438 8793-01</b>	•Cable	•Câble	3	Complete
<b>4</b>	1	<b>438 9210-60</b>	•CD-ROM	•CD-ROM	3	
<b>5</b>	1	<b>438 9212-90</b>	•User instructions	•Instruction de fonctionnement	3	Swedish
	1	<b>438 9212-91</b>	•User instructions	•Instruction de fonctionnement	3	English





## Numerical index/Numerical index

Art.No/Réf. article	Page/Page	Art.No/Réf. article	Page/Page	Art.No/Réf. article	Page/Page	Art.No/Réf. article	Page/Page
413 1211-01	33	413 2918-08	63	413 3182-09	95	413 4315-51	15
413 1211-01	37	413 2918-08	65	413 3182-09	97	413 4315-61	15
413 1211-01	41	413 2918-09	55	413 3182-10	95	413 4415-51	15
413 1212-01	45	413 2918-09	59	413 3182-10	97	413 4415-61	15
413 1213-01	49	413 2919-01	57	413 3182-11	97	413 5003-01	77
413 1214-01	53	413 2919-03	57	413 3182-14	97	413 5005-01	9
413 2200-31	7	413 2922-01	17	413 3182-15	95	413 5007-01	9
413 2200-41	7	413 2934-01	119	413 3182-15	97	413 5009-01	9
413 2200-51	7	413 2946-01	75	413 3182-16	95	413 9701-21	33
413 2200-61	7	413 2965-01	17	413 3182-16	97	413 9701-21	37
413 2200-71	7	413 2965-02	17	413 3182-17	97	432 1220-01	75
413 2201-04	11	413 2965-03	17	413 3184-16	103	432 1229-01	31
413 2201-05	11	413 2965-04	17	413 3272-04	17	432 1229-01	33
413 2201-06	11	413 2965-05	17	413 3272-05	31	432 1229-01	35
413 2201-07	11	413 2965-11	17	413 3272-10*	33	432 1229-01	37
413 2201-09*	9	413 2965-12	15	413 3272-10*	37	432 1229-01	39
413 2201-13	11	413 2965-13	15	413 3272-10*	41	432 1229-01	41
413 2201-15	9	413 2965-22	17	413 3272-11	17	432 1229-01	43
413 2201-18	11	413 2965-23	17	413 3272-12	35	432 1229-01	45
413 2201-20	11	413 2965-24	15	413 3272-12	39	432 1229-01	47
413 2201-31	11	413 2965-25	15	413 3272-16*	45	432 1229-01	49
413 2201-32	11	413 2990-03	31	413 3272-16	47	432 1229-01	51
413 2201-33	11	413 2990-04	35	413 3272-19	103	432 1229-01	53
413 2292-66	9	413 2990-04	37	413 3272-21	105	432 1295-01	17
413 2602-20	67	413 2990-04	39	413 3272-23	43	432 1338-01	17
413 2603-20	67	413 2990-04	41	413 3272-24	17	432 1363-01	17
413 2604-20	67	413 2990-05	43	413 3272-25	17	432 1419-01	17
413 2605-20	67	413 2990-05	45	413 3272-26*	49	432 1421-01	17
413 2606-20	67	413 2990-08	33	413 3272-26	51	432 1451-01	15
413 2609-20	67	413 3082-05	75	413 3272-26*	53	432 1451-02	15
413 2611-02	67	413 3082-21	93	413 3274-01	73	432 1453-01	15
413 2611-11	67	413 3082-29	93	413 3274-03	75	432 1455-01	31
413 2611-21	67	413 3082-30	93	413 3274-05	69	432 1455-01	35
413 2611-29	67	413 3082-32	93	413 3274-06	69	432 1455-01	39
413 2611-31	67	413 3082-34	93	413 3274-07	69	432 1455-01	41
413 2611-41	67	413 3082-35	73	413 3274-08	69	432 1455-01	43
413 2611-45	67	413 3084-02	75	413 3274-11	69	432 1455-01	45
413 2611-46	67	413 3084-09	69	413 3274-12	69	432 1455-01	47
413 2611-47	67	413 3084-09	109	413 3274-15	69	432 1455-01	49
413 2611-48	67	413 3084-09*	111	413 3274-17	69	432 1455-01	51
413 2611-49	67	413 3084-10	59	413 3274-18	69	432 1455-01	53
413 2611-56	67	413 3084-16	69	413 3274-20	69	432 1463-01	31
413 2611-57	67	413 3084-17	69	413 3274-21	69	432 1463-01	35
413 2611-64	67	413 3084-18	69	413 3274-22	69	432 1463-01	39
413 2611-65	67	413 3084-19	69	413 3274-24	57	432 1463-01	43
413 2611-72	67	413 3084-21	63	413 3275-02	69	432 1463-01	47
413 2611-73	67	413 3084-23	65	413 3276-01	107	432 1463-01	51
413 2902-03	83	413 3084-25	75	413 3276-01	109	432 1465-01	31
413 2902-05	83	413 3084-26	55	413 3276-01*	111	432 1465-01	33
413 2902-07	83	413 3084-27	61	413 3279-01	107	432 1465-01	35
413 2902-09	83	413 3086-07	89	413 3280-01	69	432 1465-01	37
413 2902-11	83	413 3086-08	89	413 3704-10	19	432 1465-01	39
413 2902-13	83	413 3086-08	91	413 3704-11	19	432 1465-01	41
413 2905-02	73	413 3086-09	89	413 3704-12	19	432 1465-01	43
413 2909-01	75	413 3086-10	89	413 4012-01	25	432 1465-01	45
413 2918-01	55	413 3086-10	91	413 4015-52	15	432 1465-01	47
413 2918-01	59	413 3088-07	87	413 4015-62	15	432 1465-01	49
413 2918-02	55	413 3088-07	91	413 4112-01	25	432 1465-01	51
413 2918-02	59	413 3088-07	93	413 4115-51	15	432 1465-01	53
413 2918-03	61	413 3088-08	93	413 4115-52	15	432 1472-01	31
413 2918-04	61	413 3088-08	95	413 4115-61	15	432 1472-01	35
413 2918-05	63	413 3088-08	97	413 4115-62	15	432 1472-01	39
413 2918-05	65	413 3088-10	91	413 4212-01	25	432 1472-01	43
413 2918-06	63	413 3088-10	95	413 4215-51	15	432 1472-01	47
413 2918-06	65	413 3088-10	97	413 4215-61	15	432 1472-01	51
413 2918-07	61	413 3182-02	73	413 4312-01	25	432 1476-01	31

## Numerical index/Numerical index

Art.No/Réf. article	Page/Page	Art.No/Réf. article	Page/Page	Art.No/Réf. article	Page/Page	Art.No/Réf. article	Page/Page
432 1476-01	35	432 1631-01	99	432 2150-11	67	432 2261-02	67
432 1476-01	39	432 1653-01	17	432 2150-12	103	432 2262-01	67
432 1500-21	21	432 1654-01	17	432 2150-12	105	432 2263-01	67
432 1501-01	21	432 1673-01	99	432 2154-01	73	432 2264-01	67
432 1501-02	21	432 1825-03	25	432 2173-02	109	432 2268-01	109
432 1501-11	21	432 1826-02	25	432 2173-02	111	432 2268-01	111
432 1501-12	21	432 1827-02	25	432 2174-12	107	432 2270-01	25
432 1502-11	21	432 1828-02	25	432 2175-12	107	432 2288-65	11
432 1502-12	21	432 1840-02	25	432 2180-01	13	432 2288-66	11
432 1503-11	21	432 1841-02	25	432 2182-01	7	432 2289-65	11
432 1503-12	21	432 1842-02	25	432 2182-02	7	432 2289-66	11
432 1504-21	21	432 1843-02	25	432 2182-03	7	432 2290-65	11
432 1540-01	23	432 1855-01	25	432 2182-04	7	432 2290-66	11
432 1541-01	23	432 1856-01	25	432 2185-02	107	432 2291-65	11
432 1542-01	23	432 1857-01	25	432 2198-01	17	432 2291-66	11
432 1543-01	23	432 1858-01	25	432 2198-02	17	432 2292-65	9
432 1544-01	23	432 1870-01	25	432 2198-02	27	432 2294-65	11
432 1545-01	23	432 1871-01	25	432 2199-01	73	432 2294-66	11
432 1546-01	23	432 1872-01	25	432 2199-03	73	432 2300-01	107
432 1547-01	23	432 1885-03	25	432 2199-05	73	432 2301-01	85
432 1548-01	23	432 1885-11	25	432 2200-03	7	432 2305-01	85
432 1549-01	23	432 1886-02	25	432 2200-21	7	432 2306-01	85
432 1550-01	23	432 1886-11	25	432 2200-30	7	432 2308-01	85
432 1551-01	23	432 1887-11	25	432 2200-31	7	432 2401-01	101
432 1552-01	23	432 1888-11	25	432 2200-33	7	432 2404-01	101
432 1553-01	23	432 1889-02	25	432 2200-38	7	432 2405-01	101
432 1554-01	23	432 1890-02	25	432 2200-40	7	432 2406-01	101
432 1560-01	23	432 1950-02	25	432 2200-41	7	432 2407-01	101
432 1561-01	23	432 1951-01	25	432 2200-43	7	432 2409-01	101
432 1562-01	23	432 1961-01	25	432 2200-48	7	432 2501-01	81
432 1563-01	23	432 1962-01	25	432 2200-50	7	432 2502-01	77
432 1564-01	23	432 2041-03	7	432 2200-51	7	432 2502-01	81
432 1565-01	23	432 2041-10	7	432 2200-53	7	432 2505-01	81
432 1566-01	23	432 2042-03	7	432 2200-58	7	432 2506-01	77
432 1567-01	23	432 2042-10	7	432 2200-60	7	432 2507-01	77
432 1568-01	23	432 2043-03	7	432 2200-61	7	432 2508-01	77
432 1569-01	23	432 2043-10	9	432 2200-63	7	432 2508-02	77
432 1570-21	21	432 2044-03	9	432 2200-68	7	432 2511-01	77
432 1570-22	21	432 2044-10	9	432 2200-70	7	432 2516-04	83
432 1570-23	21	432 2046-03	7	432 2200-98	7	432 2516-05	83
432 1571-01	21	432 2046-10	7	432 2203-21	107	432 2518-01*	83
432 1571-02	21	432 2058-03	7	432 2203-22	107	432 2518-02*	83
432 1571-03	21	432 2058-10	7	432 2214-01	73	432 2518-03	83
432 1571-11	21	432 2064-01	9	432 2215-01	11	432 2518-04	83
432 1571-12	21	432 2065-01	9	432 2231-02	109	432 2518-05	83
432 1571-13	21	432 2066-01	9	432 2231-11	111	432 2518-07*	83
432 1572-11	21	432 2067-01	9	432 2232-01	109	432 2519-02	77
432 1572-12	21	432 2068-01	9	432 2233-01	109	432 2519-04	77
432 1572-13	21	432 2070-01	9	432 2233-02	109	432 2521-03	77
432 1573-11	21	432 2071-02	9	432 2233-03	109	432 2521-05	77
432 1573-12	21	432 2072-01	9	432 2233-04	109	432 2522-01	77
432 1573-13	21	432 2072-02	9	432 2234-02	109	432 2531-01	83
432 1574-31	21	432 2073-02	9	432 2234-12	109	432 2531-02	83
432 1574-32	21	432 2076-01	9	432 2234-22	111	432 2534-01	83
432 1574-33	21	432 2120-01	9	432 2234-32	111	432 2537-01	83
432 1605-41	21	432 2120-06	9	432 2246-01	9	432 2548-01	83
432 1606-01	21	432 2121-02	9	432 2246-02	9	432 2620-02	25
432 1606-03	21	432 2121-05	9	432 2247-01	9	432 2620-03	25
432 1606-21	21	432 2121-06	9	432 2248-01	9	432 2620-12	25
432 1606-22	21	432 2122-02	9	432 2249-01	9	432 2648-11	67
432 1607-21	21	432 2130-03	9	432 2256-01	73	432 2648-12	67
432 1607-22	21	432 2130-06	9	432 2257-01	73	432 2648-13	67
432 1608-21	21	432 2130-08	9	432 2258-01	73	432 2648-20	67
432 1608-22	21	432 2131-05	9	432 2259-01	11	432 2648-21	67
432 1609-41	21	432 2131-06	9	432 2260-01	67	432 2648-22	67
432 1630-01	99	432 2131-07	9	432 2261-01	67	432 2905-01	69

## Numerical index/Numerical index

Art.No/Réf. article	Page/Page	Art.No/Réf. article	Page/Page	Art.No/Réf. article	Page/Page	Art.No/Réf. article	Page/Page
432 2905-06	29	432 6933-02	73	438 8778-01	107	438 8923-95	115
432 2905-08	29	432 8702-03	69	438 8778-02	107	438 8923-96	115
432 2905-08	69	438 0013-01	35	438 8778-12	107	438 8923-97	117
432 2905-10	29	438 0013-01	39	438 8790-01	107	438 8923-98	117
432 2905-10	69	438 0016-08	35	438 8790-03	109	438 8924-01	117
432 2905-12	29	438 0016-09	31	438 8793-01	119	438 8924-03	117
432 2905-12	69	438 0016-10	47	438 8797-02	75	438 8924-04	115
432 2905-14	29	438 0016-10	51	438 8920-01	113	438 8924-05	115
432 2905-14	71	438 0016-11	39	438 8920-02	113	438 8924-99	117
432 2925-01	63	438 0016-12	43	438 8920-11	113	438 8930-01	113
432 2925-01	65	438 0051-01	81	438 8921-90	107	438 8930-02	113
432 2950-01	15	438 0052-01	81	438 8923-01	115	438 8930-03	113
432 2951-04	15	438 0053-01	81	438 8923-03	115	438 8930-04	113
432 2953-01	17	438 0054-01	81	438 8923-04	115	438 8930-05	113
432 2954-03	73	438 0055-01	81	438 8923-05	115	438 8930-06	113
432 2954-13	73	438 0056-03	85	438 8923-06	115	438 8930-07	113
432 2961-01	55	438 0056-04	85	438 8923-07	115	438 8930-08	113
432 2961-01	57	438 0489-01	31	438 8923-09	115	438 8930-09	113
432 2961-01	59	438 2440-02	71	438 8923-10	115	438 8930-10	113
432 2961-01	61	438 4049-01	43	438 8923-11	115	438 8930-11	113
432 2977-01	17	438 4049-01	47	438 8923-12	115	438 8931-40*	117
432 2982-10	83	438 4049-01	51	438 8923-13	115	438 8931-59	117
432 2982-20	103	438 4062-01	25	438 8923-14	115	438 8931-60	117
432 2982-20	105	438 5040-01	79	438 8923-15	115	438 8931-76	117
432 2983-03	31	438 5109-02	7	438 8923-16	115	438 8931-78	117
432 2983-03	35	438 5233-01	57	438 8923-20	115	438 8931-79	117
432 2983-03	39	438 7950-01	75	438 8923-22	115	438 8931-81	117
432 2983-03	73	438 7950-02	75	438 8923-23	115	438 8931-82	117
432 2983-04	43	438 8102-06	77	438 8923-25	115	438 8931-85	117
432 2983-04	47	438 8103-01	101	438 8923-26	115	438 8931-86	117
432 2983-04	51	438 8115-01	25	438 8923-27	115	438 8931-87	117
432 2983-04	73	438 8115-02	25	438 8923-29	115	438 8931-88	117
432 2984-01	73	438 8115-03	25	438 8923-31	115	438 8931-89	117
432 2985-01	17	438 8115-04	25	438 8923-32	115	438 8931-90	117
432 2991-02	47	438 8155-01	23	438 8923-35	115	438 8931-91	117
432 2991-02	49	438 8155-02	23	438 8923-36	115	438 8932-04	117
432 2991-02	51	438 8155-03	23	438 8923-37	115	438 8932-05	117
432 2991-02	53	438 8155-04	23	438 8923-38	115	438 8932-06	117
432 2998-01	17	438 8155-05	23	438 8923-39	115	438 8932-07	117
432 3058-01	99	438 8158-01	33	438 8923-40	115	438 8932-25	117
432 3075-01	75	438 8158-01	37	438 8923-42	115	438 8932-27	117
432 3076-01	75	438 8158-01	41	438 8923-43	115	438 8932-32	117
432 3092-10	109	438 8158-01	45	438 8923-45	115	438 9210-60	119
432 3092-86	73	438 8158-02	49	438 8923-48	115	438 9212-90	119
432 3094-01	107	438 8158-02	53	438 8923-49	115	438 9212-91	119
432 3094-01	109	438 8701-01	73	438 8923-52	115	438 9561-01	29
432 3096-15	107	438 8701-01*	111	438 8923-53	115	438 9562-01	17
432 3096-15	109	438 8701-02*	111	438 8923-55	115	438 9563-01	17
432 3106-01	73	438 8701-03	73	438 8923-57	115	438 9565-01	17
432 3182-41	77	438 8701-03*	111	438 8923-59	115	438 9566-01	17
432 3182-43	77	438 8701-04*	111	438 8923-60	115	438 9569-01	17
432 3192-71	107	438 8720-01	73	438 8923-68	115	438 9572-01	17
432 3604-01	75	438 8720-02	73	438 8923-76	115	438 9573-01	17
432 3604-02	75	438 8720-03	73	438 8923-78	115	438 9636-22	73
432 6320-01	73	438 8774-02	55	438 8923-79	115	438 9636-23	73
432 6323-01	75	438 8774-02	57	438 8923-81	115	438 9636-24	73
432 6324-01	69	438 8774-02	59	438 8923-82	115	438 9636-92	73
432 6325-01	69	438 8774-02	61	438 8923-83	115	438 9636-93	73
432 6326-01	69	438 8774-02	63	438 8923-85	115	438 9636-94	73
432 6327-01	69	438 8774-02	65	438 8923-86	115	438 9659-01	69
432 6344-02	69	438 8775-01	107	438 8923-87	115	438 9678-01	73
432 6345-01	71	438 8775-01	109	438 8923-88	115	438 9678-02	73
432 6805-06	73	438 8775-01*	111	438 8923-89	115	438 9678-03	73
432 6902-04	69	438 8775-02	107	438 8923-90	115	438 9678-04	73
432 6903-02	73	438 8775-05	107	438 8923-91	115	438 9678-11	73
432 6930-02	73	438 8775-05	109	438 8923-94	115	438 9678-12	73

## Numerical index/Numerical index

Art.No/Réf. article	Page/Page	Art.No/Réf. article	Page/Page	Art.No/Réf. article	Page/Page	Art.No/Réf. article	Page/Page
438 9678-13	73	471 7711-10	45	471 8215-01	83	471 8502-24	47
438 9678-14	73	471 7711-14	33	471 8215-03	83	471 8502-24	51
438 9701-41	31	471 7711-15	37	471 8234-52	93	471 8502-34	23
438 9702-41	35	471 7788-10	67	471 8234-64	93	471 8527-01	25
438 9702-51	39	471 7807-02	15	471 8236-76	89	471 8613-05	79
438 9702-61	41	471 7807-02	23	471 8236-76	91	471 8624-01	99
438 9703-31	43	471 7818-01	81	471 8236-78	89	471 8641-02	11
438 9703-51	45	471 7826-10	11	471 8236-78	91	471 8644-02	85
438 9704-31	47	471 7859-12	73	471 8236-79	89	471 8688-13	81
438 9704-41	49	471 7859-16	73	471 8236-79	91	471 8688-13	85
438 9705-02	53	471 7864-01	13	471 8240-63	87	471 8693-21	85
438 9705-51	51	471 7867-01	31	471 8240-63	93	471 8695-01	99
438 9799-01	55	471 7867-01	35	471 8240-63	95	471 8697-01	99
438 9799-01	59	471 7867-01	39	471 8240-63	97	471 8750-11	75
438 9799-01	61	471 7867-01	43	471 8240-64	91	471 8750-16	75
438 9799-01	63	471 7867-01	47	471 8240-67	91	471 8767-01	73
438 9799-01	65	471 7867-01	51	471 8240-68	91	471 8767-02	73
438 9799-02	31	471 7871-04	81	471 8240-69	93	471 8768-02	55
438 9799-02	33	471 7871-04	85	471 8240-69	95	471 8768-02	57
438 9799-02	35	471 7871-07	83	471 8240-69	97	471 8768-02	59
438 9799-02	37	471 7871-08	85	471 8243-07	77	471 8768-02	61
438 9799-02	39	471 7887-01	77	471 8243-08	77	471 8768-02	63
438 9799-02	41	471 7958-02	107	471 8243-09	77	471 8768-02	65
438 9799-02	43	471 7960-02	75	471 8243-10	77	471 8783-01	73
438 9799-02	45	471 7960-02	107	471 8279-03	99	471 8783-03	73
438 9799-02	47	471 7960-02	109	471 8279-08	99	471 8783-04	73
438 9799-02	49	471 7960-02*	111	471 8323-01	23	471 8826-01	31
438 9799-02	51	471 7967-02	11	471 8328-02	23	471 8826-01	33
438 9799-02	53	471 7977-03	75	471 8328-10	33	471 8826-01	35
438 9799-03	31	471 7977-04	75	471 8328-10	37	471 8826-01	37
438 9799-03	33	471 8118-01	77	471 8328-10	41	471 8826-01	39
438 9799-03	35	471 8118-07	77	471 8328-10	45	471 8826-01	41
438 9799-03	37	471 8124-02	77	471 8328-10	49	471 8826-01	43
438 9799-03	39	471 8124-03	77	471 8328-10	53	471 8826-01	45
438 9799-03	41	471 8124-04	79	471 8342-13	31	471 8826-01	47
438 9799-03	43	471 8124-07	77	471 8342-13	35	471 8826-01	49
438 9799-03	45	471 8124-08	79	471 8342-13	39	471 8826-01	51
438 9799-03	47	471 8124-09	79	471 8342-13	43	471 8826-01	53
438 9799-03	49	471 8126-25	99	471 8342-13	47	471 8827-01	31
438 9799-03	51	471 8126-26	99	471 8342-13	51	471 8827-01	33
438 9799-03	53	471 8126-27	99	471 8342-47	29	471 8827-01	35
438 9799-12	55	471 8126-28	99	471 8344-35	11	471 8827-01	37
438 9799-12	59	471 8128-41	79	471 8344-36	25	471 8827-01	39
438 9799-12	61	471 8128-61	77	471 8346-02	69	471 8827-01	41
438 9799-12	63	471 8128-63	77	471 8346-09	69	471 8827-01	43
438 9799-12	65	471 8128-64	77	471 8356-05	45	471 8827-01	45
471 2265-69	71	471 8128-65	77	471 8356-05	49	471 8827-01	47
471 2409-89	85	471 8128-66	77	471 8356-08	53	471 8827-01	49
471 2433-14	77	471 8128-67	77	471 8356-10	33	471 8827-01	51
471 2442-41	71	471 8139-01	77	471 8356-10	37	471 8827-01	53
471 2937-01	99	471 8139-05	77	471 8356-10	41	471 8861-01	71
471 4672-67	7	471 8139-11	77	471 8376-01*	111	471 8863-01	71
471 4673-93	75	471 8139-15	77	471 8376-99*	111	471 8910-90	117
471 4673-95	69	471 8139-16	77	471 8404-02	25	471 9222-59	23
471 4673-97	69	471 8175-01	85	471 8458-02	9	471 9550-32	17
471 4835-01	79	471 8195-01	81	471 8502-10	31	471 9628-32	103
471 7565-21	9	471 8196-01	7	471 8502-10	35	471 9628-70	103
471 7705-05	47	471 8199-01	85	471 8502-10	39	471 9628-71	103
471 7705-05	49	471 8210-70	95	471 8502-10	43	471 9628-71	105
471 7705-06	51	471 8210-70	97	471 8502-10	47	471 9628-75	103
471 7705-06	53	471 8210-71	95	471 8502-10	51	471 9628-75	105
471 7711-06	31	471 8210-71	97	471 8502-14	23	471 9628-85	105
471 7711-09	35	471 8210-78	95	471 8502-24	31	471 9678-94	75
471 7711-09	39	471 8210-78	97	471 8502-24	35	471 9821-01	15
471 7711-09	41	471 8210-79	95	471 8502-24	39	471 9821-04	15
471 7711-10	43	471 8210-79	97	471 8502-24	43	471 9821-05	15

Numerical index/Numerical index

Art.No/Réf. article	Page/Page	Art.No/Réf. article	Page/Page	Art.No/Réf. article	Page/Page	Art.No/Réf. article	Page/Page
471 9821-06	15	725 2538-51	35				
471 9821-07	15	725 2538-51	39				
471 9821-08	15	725 2538-51	43				
471 9821-11	15	725 2538-51	47				
471 9821-12	15	725 2538-51	51				
471 9821-13	15	731 2312-01	117				
471 9821-14	15	732 2116-42	81				
471 9821-15	15	732 2118-01	15				
471 9821-99	17	732 2118-01	23				
471 9822-99	19	732 2122-01	33				
471 9827-01	15	732 2122-01	37				
471 9827-02	15	732 2122-01	41				
471 9827-03	15	732 2122-01	45				
471 9827-04	15	732 2122-01	49				
471 9827-11	15	732 2122-01	53				
471 9827-12	15	734 1153-09	81				
471 9827-13	15	735 2153-01	11				
471 9827-21	15	735 3133-00	23				
471 9827-22	15	735 3139-00	23				
471 9827-23	15	735 3144-00	23				
471 9827-24	15	735 3147-00	23				
471 9828-01	15	735 9370-01	23				
471 9828-11	15	735 9501-01	23				
472 5792-01	67	735 9630-01	23				
472 5792-02	67	736 2816-51	85				
472 5792-10	67	736 2825-51	79				
472 5793-01	67	736 2825-51	85				
472 6761-01	85	736 2831-51	77				
472 9900-99	11	736 2831-51	79				
472 9904-98	17	736 2837-51	77				
472 9913-12	21	736 2837-51	85				
472 9913-13	21	736 2840-51	77				
472 9913-14	21	736 2846-51	77				
472 9913-16	21	736 2846-51	83				
472 9913-18	21	736 2846-51	85				
472 9913-86	31	740 4206-00	85				
472 9913-86	35	741 5109-25	85				
472 9913-86	39	744 3113-06	99				
472 9913-89	43	762 1182-10	75				
472 9913-91	47	877 5211-08	85				
472 9913-91	51						
472 9919-30	109						
472 9919-31	109						
472 9919-32	109						
472 9919-33	109						
472 9920-01	25						
472 9920-02	25						
472 9929-05	55						
472 9929-05	59						
472 9929-06	55						
472 9929-06*	59						
472 9929-07	57						
472 9929-10*	59						
472 9929-11*	59						
472 9929-12*	59						
472 9929-16	63						
472 9929-17	61						
472 9929-18*	61						
472 9929-21*	63						
472 9929-23	65						
472 9929-31*	59						
472 9929-32*	59						
487 1702-45	73						
725 2366-61	25						
725 2465-71	15						
725 2538-51	31						





## **WASCOMAT**

461 Doughty Blvd., Inwood, L.I., N.Y. 11096-0338

Telephone: 516-371-4400

Parts and Service FAX: 516-371-4029

Sales and Administration FAX: 516-371-4204